

CONTROL DATA[®] 6600 COMPUTER SYSTEM

6601-H/J, 6613-A/B/C

Chassis 4

**CARD PLACEMENT
WIRE LISTS
CHASSIS TABS**

RECORD of REVISIONS

REVISION	NOTES
A (4-12-65)	This printing obsoletes all previous editions.
B (3-2-66)	Change Order 9850 which advanced the revision level from A to B. No product designation change.
C (3-2-66)	Publication Change Order 12484, no Product Designation change. It incorporates the following Change Orders: 10080, 10517, 10758 and 10922. This edition obsoletes all previous editions.
D (7-18-66)	Field Change Order 12931 which advanced the Product Designation to 6601-H40. Card Placement and pages G11, and I01 through I19 revised. Pages G08, H05, H10, and H15 added.
E (10-31-66)	Field Change Order 13943, which advanced the Product Designation to 6601-H47 and 6613-A07. Pages G10 and G17 revised.
F (10-31-66)	Field Change Order 14118 which advanced the Product Designation to 6601-H55 and 6613-A14. Pages A08, A16, A25, A33, C14, C42, D08, D16, D25, D33, F14, M14, N08, N16, N25, N33, P14, Q08, Q16, Q25, and Q33 revised.
G (10-31-66)	Change Order 14087 which did not affect the Product Designation. Pages G12 and G13 revised.
H (10-31-66)	Field Change Order 13757 which advanced the Product Designation to 6601-H57 and 6613-A16. Card Placement and pages G18, H20, I19, and I20 revised.
J (10-31-66)	Publication Change Order 15042 which did not affect the Product Designation. Cover and title page revised.
K (4-14-67)	Change Order 15213, no Product Designation change. Pages G18 and I20 revised.
L (4-14-67)	Field Change Order 14965, new Product Designation 6601-H68, 6601-J08, 6613-A27 and 6613-B08. Pages C14, C15, C16, C17, C18, C21, F14, F15, F16, F17, F18, F21, G05, G10, G11, G17, M14, M15, M16, M17, M18, M21, P14, P15, P16, P17, P18, P21 and Card Placement revised. F13 added.
M (4-14-67)	Change Order 15069, no Product Designation change. Pages C21, F21, G10, G11, G12, G13, G14, G18, G22, H26, H27, I06, I07, I13 and M21 revised.
N (4-14-67)	Publication Change Order 16169, no Product Designation change. To revise cover and incorporate Change Order 16175. Pages F1 and F2 revised.
P (1-4-68)	Field Change Order 17014, which advanced the Product Designation to 6601-H84, 6601-J25, 6613-A43, 6613-B25 and 6613-C12. Pages C14, C15, C16, F14, F15, F16, M14, M15, M16, P14, P15 and P16 revised.
R (1-4-68)	Change Order 17250. No Product Designation change. Pages G03, G18, I24 and P25 revised.
S (1-4-68)	Field Change Order 17251, which advanced the Product Designation to 6601-H85, 6601-J26, 6613-A44, 6613-B26 and 6613-C13. The following pages were revised: G08, G10, G11, I06 and I13.
T (1-4-68)	Change Order 17866. No Product Designation change. Pages G18, I24 and I29 revised.
U (1-4-68)	Publications Change Order 18338. No Product Designation change. Pages G12 serials 1-31, G12 serials 32 and up, G13 serials 1-31 and G13 serials 32 and up, and G14
V (1-30-69)	Manual revised, includes Field Change Order 20251, equipment level 6601-H95, 6601-J34, 6613-A54, 6613-B34 and 6613-C21. Pages G08, G10, H05, H10, H15, I06, I13 and I19 revised.
W (7-24-69)	Manual revised, includes Field Change Order 21827, equipment level 6601-H01 through H98, 6601-J01 through J38, 6613-A01 through A57, 6613-B01 through B38 and 6613-C01 through C25. Pages C14, F13, F14, F21, G04, G05, G14, M14 and P14 revised.

FORM CA230 REV. 1-67

Address comments concerning this manual to:

Control Data Corporation
 Technical Publications Department
 4201 North Lexington Avenue
 St. Paul, Minnesota 55112

or use Comment Sheet in the back of this manual.

Pub No. 63019200
 © 1965, 1966, 1967, 1968, 1969
 by Control Data Corporation

Printed in United States of America

4 A1

STORAGE
MODULE

FUNCTION	PIN
Address	
S ⁰	22
S ¹	20
S ²	8
S ³	10
S ⁶	12
S ⁹	14
S ¹⁰	18
S ¹¹	16
Store	
Z ²	6
Z ³	26
Z ⁶	28
Z ⁷	4
Z ¹⁰	30
Z ¹¹	2
Read	
Z ⁰	1
Z ⁰	3
Z ¹	27
Z ¹	29
Z ²	5
Z ²	7
Z ³	23
Z ³	25
Z ⁴	19
Z ⁴	21
Z ⁵	9
Z ⁵	11
Inhibit	
S ⁴	15
S ⁵	17
S ¹⁰	19
Control	
Read Enable	23
Write Enable	21
Power	
+5 To Inhibit	13
+5 To Inhibit	17
Ground	15

1	C 1	2	9
2	C 5	23	13
3	C 1	4	9
4	C 5	3	11
5	C 2	2	9
6	C 4	7	11
7	C 2	4	9
8	C23	19	25
9	C 3	8	9
10	C23	20	23
11	C 3	10	9
12	C25	19	25
13			
14	C25	20	25
15	A1	X	2
16	C25	2	25
17			
18	C24	2	25
19	C 3	2	7
20	C22	20	23
21	C 3	4	7
22	C22	19	23
23	C 2	8	7
24	C25	3	25
25	C 2	10	7
26	C 4	21	9
27	C 1	8	7
28	C 5	5	9
29	C 1	10	7
30	C 5	25	11

JACK PIN LG

4 A8

FUNCTION	PIN
Address	
S ⁴	7
S ⁵	9
S ⁶	13
S ⁷	11
Store	
Z ⁰	29
Z ¹	5
Z ⁴	27
Z ⁵	1
Z ⁶	3
Z ⁹	25
Read	
Z ²	28
Z ²	30
Z ³	2
Z ³	4
Z ⁶	6
Z ⁶	8
Z ⁷	24
Z ⁷	26
Z ¹⁰	10
Z ¹⁰	12
Z ¹¹	20
Z ¹¹	22
Inhibit	
S ⁴	15
S ⁵	17
S ¹⁰	19
Control	
Read Enable	23
Write Enable	21
Power	
+8 To Drive	18
+6 To Drive	14
Ground	16

1	C 4	23	13
2	C 1	22	13
3	C 5	7	11
4	C 1	24	13
5	C 4	3	11
6	C 2	16	13
7	C22	2	17
8	C 2	18	13
9	C23	2	17
10	C 3	16	11
11	C24	20	19
12	C 3	18	11
13	C24	19	19
14	+6 Bus		
15	C22	3	17
16	A8	X	2
17	C23	3	17
18			
19	C24	3	17
20	C 3	22	11
21	C14	24	11
22	C 3	24	11
23	C14	1	29
24	C 2	22	11
25	C 5	21	9
26	C 2	24	11
27	C 4	25	11
28	C 1	16	11
29	C 4	5	9
30	C 1	18	11

JACK PIN LG

63019200 Rev. F

4 A10

STORAGE
MODULE

FUNCTION	PIN
Address	
S ⁰	22
S ¹	20
S ²	8
S ³	10
S ⁶	12
S ⁹	14
S ¹⁰	18
S ¹¹	16
Store	
Z ²	6
Z ³	26
Z ⁶	28
Z ⁷	4
Z ¹⁰	30
Z ¹¹	2
Read	
Z ⁰	1
Z ⁰	3
Z ¹	27
Z ¹	29
Z ²	5
Z ²	7
Z ³	23
Z ³	25
Z ⁴	19
Z ⁴	21
Z ⁵	9
Z ⁵	11
Inhibit	
S ⁴	15
S ⁵	17
S ¹⁰	19
Control	
Read Enable	23
Write Enable	21
Power	
+5 To Inhibit	13
+5 To Inhibit	17
Ground	15

1	C 7	2	11
2	C11	23	11
3	C 7	4	11
4	C11	3	9
5	C 8	2	9
6	C10	7	9
7	C 8	4	9
8	C23	21	17
9	C 9	8	9
10	C23	22	17
11	C 9	10	9
12	C25	21	19
13			
14	C25	22	19
15	A10	X	2
16	C25	4	17
17			
18	C24	4	17
19	C 9	2	7
20	C22	22	15
21	C 9	4	7
22	C22	21	17
23	C 8	8	7
24	C25	5	17
25	C 8	10	7
26	C10	21	9
27	C 7	8	9
28	C11	5	7
29	C 7	10	9
30	C11	25	9

JACK PIN LG

4 A16

FUNCTION	PIN
Address	
S ⁴	7
S ⁵	9
S ⁶	13
S ⁷	11
Store	
Z ⁰	29
Z ¹	5
Z ⁴	27
Z ⁵	1
Z ⁶	3
Z ⁹	25
Read	
Z ²	28
Z ²	30
Z ³	2
Z ³	4
Z ⁶	6
Z ⁶	8
Z ⁷	24
Z ⁷	26
Z ¹⁰	10
Z ¹⁰	12
Z ¹¹	20
Z ¹¹	22
Inhibit	
S ⁴	15
S ⁵	17
S ¹⁰	19
Control	
Read Enable	23
Write Enable	21
Power	
+8 To Drive	18
+6 To Drive	14
Ground	16

1	C10	23	13
2	C 7	22	15
3	C11	7	11
4	C 7	24	15
5	C10	3	11
6	C 8	16	13
7	C22	4	11
8	C 8	18	13
9	C23	4	11
10	C 9	16	11
11	C24	22	13
12	C 9	18	11
13	C24	21	13
14	+6 Bus		
15	C22	5	11
16	A16	X	2
17	C23	5	11
18			
19	C24	5	13
20	C 9	22	11
21	C14	25	11
22	C 9	24	11
23	C14	3	29
24	C 8	22	13
25	C11	21	11
26	C 8	24	13
27	C10	25	11
28	C 7	16	13
29	C10	5	11
30	C 7	18	13

JACK PIN LG

63019200 Rev. F

4A18

STORAGE
MODULE

FUNCTION	PIN
Address	
S ⁰	22
S ¹	20
S ²	8
S ³	10
S ⁴	12
S ⁵	14
S ⁶	18
S ⁷	16
Store	
Z ²	6
Z ³	26
Z ⁶	28
Z ⁷	4
Z ¹⁰	30
Z ¹¹	2
Read	
Z ⁰	1
Z ⁰	3
Z ¹	27
Z ¹	29
Z ⁴	5
Z ⁴	7
Z ⁵	23
Z ⁵	25
Z ⁸	19
Z ⁸	21
Z ⁹	9
Z ⁹	11
Inhibit	
S ¹¹	24
Power	
+5 To Inhibit	13
+5 To Inhibit	17
Ground	15

1	C26	2	13
2	C30	23	17
3	C26	4	13
4	C30	3	17
5	C27	2	13
6	C29	7	15
7	C27	4	13
8	C23	23	13
9	C28	8	15
10	C23	24	13
11	C28	10	15
12	C25	23	13
13			
14	C25	24	13
15	A18	X	2
16	C25	6	11
17			
18	C24	6	11
19	C28	2	13
20	C22	24	11
21	C28	4	13
22	C22	23	11
23	C27	8	13
24	C25	7	13
25	C27	10	13
26	C29	21	15
27	C26	8	11
28	C30	5	15
29	C26	10	11
30	C30	25	15

JACK PIN LG

4A25

FUNCTION	PIN
Address	
S ⁴	7
S ⁵	9
S ⁶	13
S ⁷	11
Store	
Z ⁰	29
Z ¹	5
Z ⁴	27
Z ⁵	1
Z ⁹	3
Z ⁹	25
Read	
Z ²	28
Z ²	30
Z ²	2
Z ³	4
Z ⁶	6
Z ⁶	8
Z ⁷	24
Z ⁷	26
Z ¹⁰	10
Z ¹⁰	12
Z ¹¹	20
Z ¹¹	22
Inhibit	
S ⁴	15
S ⁵	17
S ¹⁰	19
Control	
Read Enable	23
Write Enable	21
Power	
+8 To Drive	18
+6 To Drive	14
Ground	16

1	C29	23	13
2	C26	22	11
3	C30	7	11
4	C26	24	11
5	C29	3	9
6	C27	16	11
7	C22	6	9
8	C27	18	11
9	C23	6	9
10	C28	16	11
11	C24	24	11
12	C28	18	11
13	C24	23	11
14	+6 Bus		
15	C22	7	9
16	A25	X	2
17	C23	7	9
18			
19	C24	7	9
20	C28	22	11
21	C14	26	15
22	C28	24	11
23	C14	4	29
24	C27	22	9
25	C30	21	11
26	C27	24	9
27	C29	25	11
28	C26	16	9
29	C29	5	9
30	C26	18	9

JACK PIN LG

63019200 Rev. F

4A26

STORAGE
MODULE

FUNCTION	PIN
Address	
S ⁰	22
S ¹	20
S ²	8
S ³	10
S ⁴	12
S ⁵	14
S ⁶	18
S ⁷	16
Store	
Z ²	6
Z ³	26
Z ⁶	28
Z ⁷	4
Z ¹⁰	30
Z ¹¹	2
Read	
Z ⁰	1
Z ⁰	3
Z ¹	27
Z ¹	29
Z ⁴	5
Z ⁴	7
Z ⁵	23
Z ⁵	25
Z ⁸	19
Z ⁸	21
Z ⁹	9
Z ⁹	11
Inhibit	
S ¹¹	24
Power	
+5 To Inhibit	13
+5 To Inhibit	17
Ground	15

1	C32	2	11
2	C36	23	15
3	C32	4	11
4	C36	3	15
5	C33	2	11
6	C35	7	13
7	C33	4	11
8	C23	25	11
9	C34	8	13
10	C23	26	11
11	C34	10	13
12	C25	25	11
13			
14	C25	26	11
15	A26	X	2
16	C25	8	9
17			
18	C24	8	9
19	C34	2	13
20	C22	26	11
21	C34	4	13
22	C22	25	11
23	C33	8	11
24	C25	9	7
25	C33	10	11
26	C35	21	13
27	C32	8	9
28	C36	5	13
29	C32	10	9
30	C36	25	15

JACK PIN LG

4A33

FUNCTION	PIN
Address	
S ⁴	7
S ⁵	9
S ⁶	13
S ⁷	11
Store	
Z ⁰	29
Z ¹	5
Z ⁴	27
Z ⁵	1
Z ⁸	3
Z ⁹	25
Read	
Z ²	28
Z ²	30
Z ²	2
Z ³	4
Z ⁶	6
Z ⁶	8
Z ⁷	24
Z ⁷	26
Z ¹⁰	10
Z ¹⁰	12
Z ¹¹	20
Z ¹¹	22
Inhibit	
S ⁴	15
S ⁵	17
S ¹⁰	19
Control	
Read Enable	23
Write Enable	21
Power	
+8 To Drive	18
+6 To Drive	14
Ground	16

1	C35	23	11
2	C32	22	11
3	C36	7	11
4	C32	24	11
5	C35	3	9
6	C33	16	11
7	C22	8	15
8	C33	18	11
9	C23	8	15
10	C34	16	9
11	C24	26	15
12	C34	18	9
13	C24	25	15
14	+6 Bus		
15	C22	9	15
16	A33	X	2
17	C23	9	15
18			
19	C24	9	13
20	C34	22	9
21	C14	27	21
22	C34	24	9
23	C14	6	29
24	C33	22	9
25	C36	21	9
26	C33	24	9
27	C35	25	9
28	C32	16	9
29	C35	5	7
30	C32	18	9

JACK PIN LG

63019200 Rev. F

4A35

STORAGE
MODULE

FUNCTION	PIN
Address	
S ⁰	22
S ¹	20
S ²	8
S ³	10
S ⁸	12
S ⁹	14
S ¹⁰	18
S ¹¹	16
Store	
Z ²	6
Z ³	26
Z ⁵	28
Z ⁷	4
Z ¹⁰	30
Z ¹¹	2
Read	
R ⁰	1
R ⁰	3
R ¹	27
R ¹	29
R ⁴	5
R ⁴	7
R ⁵	23
R ⁵	25
R ⁸	19
R ⁸	21
R ⁹	9
R ⁹	11
Inhibit	
S ¹¹	24
Power	
+5 To Inhibit	13
+5 To Inhibit	17
Ground	15

1	C38	2	11
2	C42	23	15
3	C38	4	11
4	C42	3	11
5	C39	2	11
6	C41	7	13
7	C39	4	11
8	C23	27	17
9	C40	8	11
10	C23	28	17
11	C40	10	11
12	C25	27	15
13			
14	C25	28	15
15	A35	X	2
16	C25	10	13
17			
18	C24	10	15
19	C40	2	9
20	C22	28	17
21	C40	4	9
22	C22	27	17
23	C39	8	9
24	C25	11	13
25	C39	10	9
26	C41	21	13
27	C38	8	9
28	C42	5	11
29	C38	10	9
30	C42	25	13

JACK PIN LG

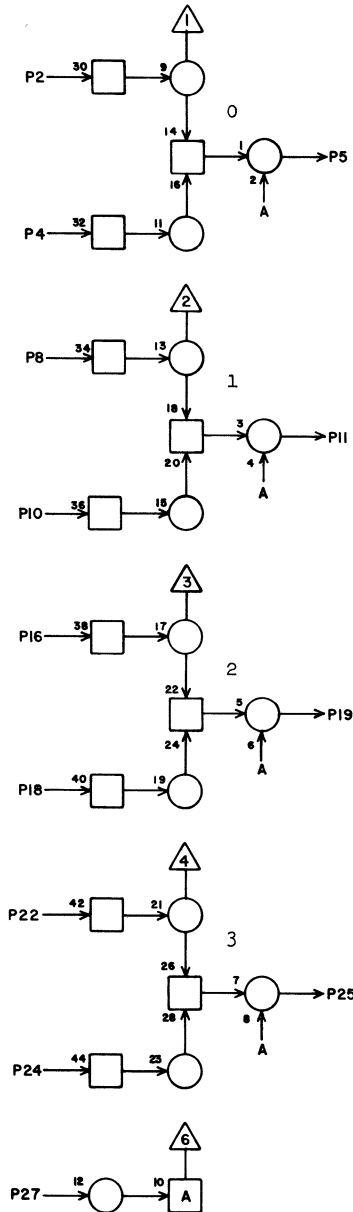
4A42

FUNCTION	PIN
Address	
S ⁴	7
S ⁵	9
S ⁶	13
S ⁷	11
Store	
Z ⁰	29
Z ¹	5
Z ⁴	27
Z ⁵	1
Z ⁸	3
Z ⁹	25
Read	
R ²	28
R ²	30
R ³	2
R ³	4
R ⁶	6
R ⁶	8
R ⁷	24
R ⁷	26
R ¹⁰	10
R ¹⁰	12
R ¹¹	20
R ¹¹	22
Inhibit	
S ⁴	15
S ⁵	17
S ¹⁰	19
Control	
Read Enable	23
Write Enable	21
Power	
+8 To Drive	18
+6 To Drive	14
Ground	16

1	C41	23	11
2	C38	22	13
3	C42	7	9
4	C38	24	13
5	C41	3	9
6	C39	16	11
7	C22	10	23
8	C39	18	11
9	C23	10	21
10	C40	16	9
11	C24	28	21
12	C40	18	9
13	C24	27	21
14	+6 Bus		
15	C22	11	23
16	A42	X	2
17	C23	11	21
18			
19	C24	11	19
20	C40	22	9
21	C14	28	29
22	C20	24	9
23	C14	7	29
24	C39	22	9
25	C42	21	9
26	C39	24	9
27	C41	25	9
28	C38	16	9
29	C41	5	7
30	C38	18	9

JACK PIN LG

BANK 04 SENSE



PS

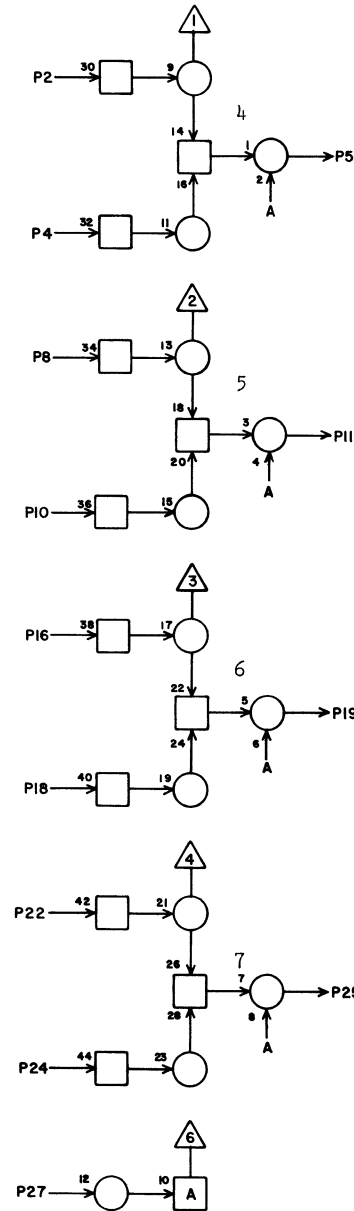
4C1

1			
2	A 1	1	9
3			
4	A 1	3	9
5	H 1	11	23
6			
7			
8	A 1	27	7
9			
10	A 1	29	7
11	H 1	7	23
12			
13			
14			
15			
16	A 8	28	11
17			
18	A 8	30	11
19	H 1	23	23
20			
21			
22	A 8	2	13
23			
24	A 8	4	13
25	H 2	11	21
26	C14	15	15
27	C18	5	19
28	C 2	26	3

JACK PIN LG

63019200 Rev. C

BANK 04 SENSE



PS

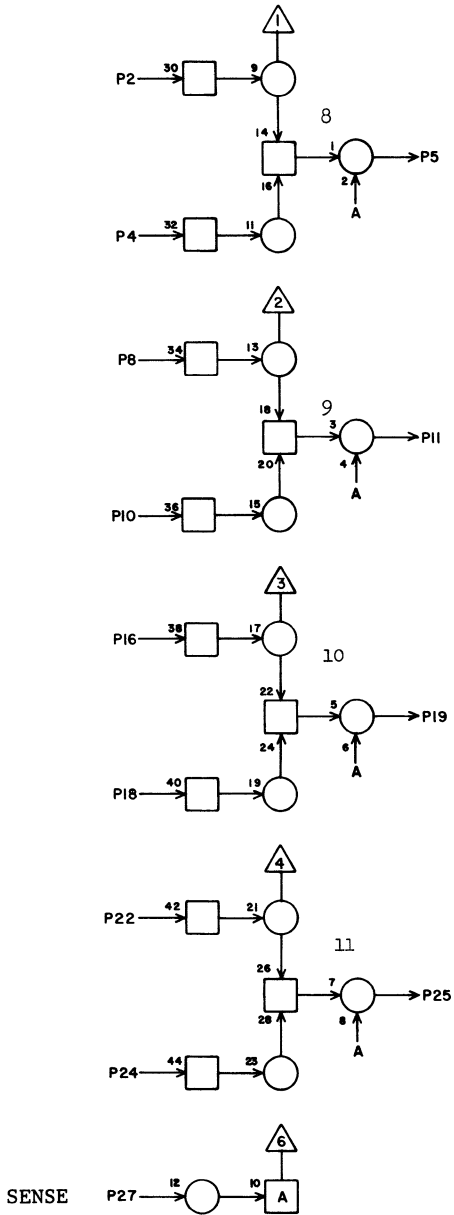
4C2

1			
2	A 1	5	9
3			
4	A 1	7	9
5	H 2	7	23
6			
7			
8	A 1	23	7
9			
10	A 1	25	7
11	H 2	23	23
12			
13			
14			
15			
16	A 8	6	13
17			
18	A 8	8	13
19	H 3	11	21
20			
21			
22	A 8	24	11
23			
24	A 8	26	11
25	H 3	7	21
26	C 1	28	3
27	C18	7	17
28	C 3	26	3

JACK PIN LG

63019200 Rev. C

BANK 04 SENSE

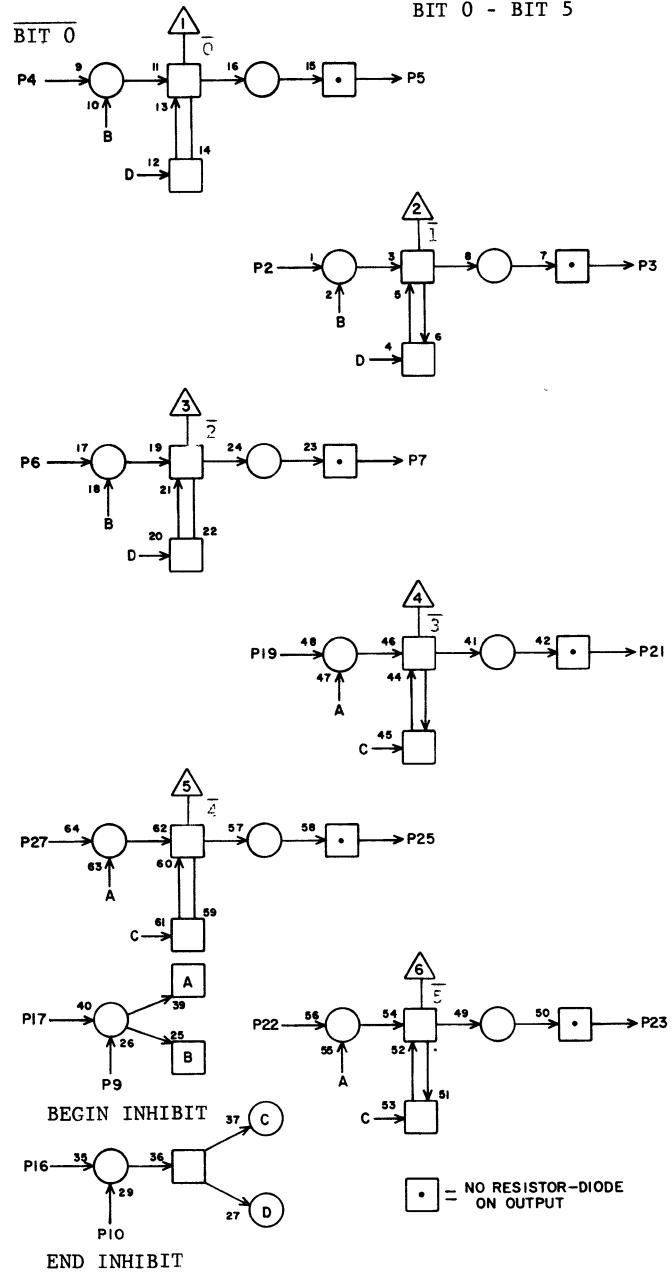


PS 4C3

PS	JACK	PIN	LG
1			
2	A 1	19	7
3			
4	A 1	21	7
5	H 3	23	23
6			
7			
8	A 1	9	9
9			
10	A 1	11	9
11	H 4	11	23
12			
13			
14			
15			
16	A 8	10	11
17			
18	A 8	12	11
19	H 4	7	21
20			
21			
22	A 8	20	11
23			
24	A 8	22	11
25	H 4	23	23
26	C 2	28	3
27	C18	9	17
28	C 7	26	7

63019200 Rev. C

BANK 04 RESTORE
BIT 0 - BIT 5



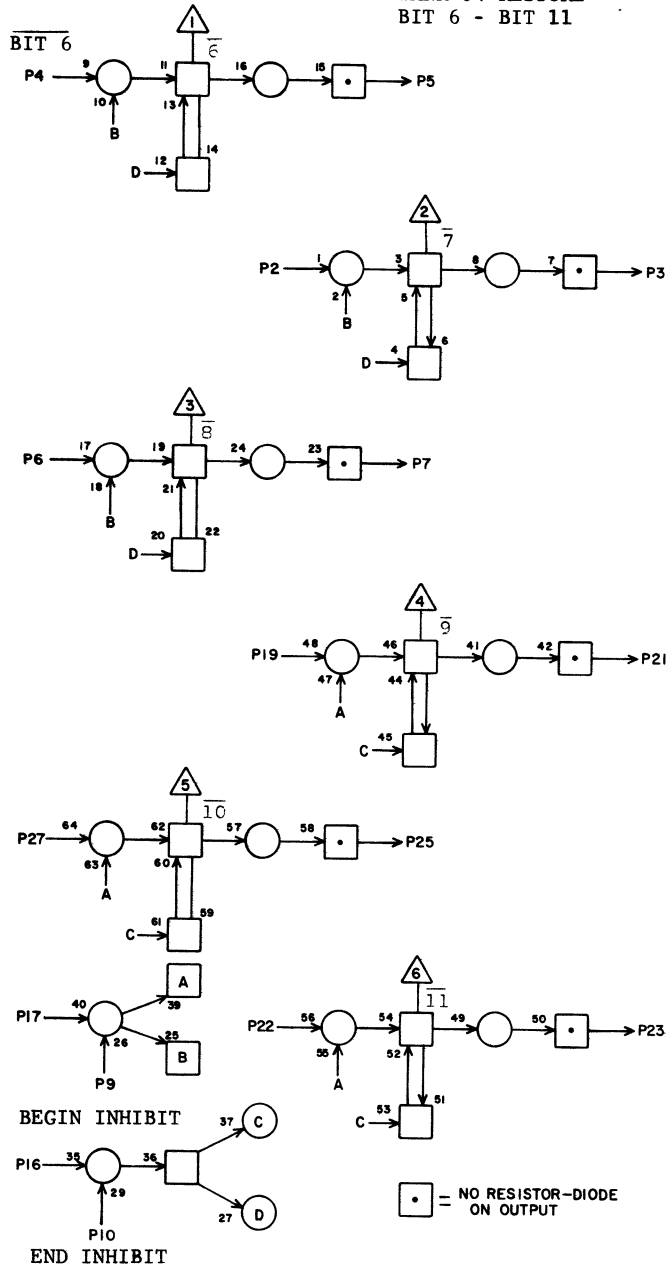
SPECIAL MODULE P2 4C4

1			
2	G24	7	27
3	A 8	5	11
4	G24	3	27
5	A 8	29	9
6	G24	24	27
7	A 1	6	11
8			
9	C20	6	17
10	C20	16	17
11			
12			
13			
14			
15			
16	C21	19	19
17	C21	1	19
18			
19	G24	23	27
20			
21	A 1	26	9
22	G25	7	27
23	A 8	1	13
24			
25	A 8	27	11
26			
27	G25	3	27
28			

JACK PIN LG

63019200 Rev. C

BANK 04 RESTORE
BIT 6 - BIT 11

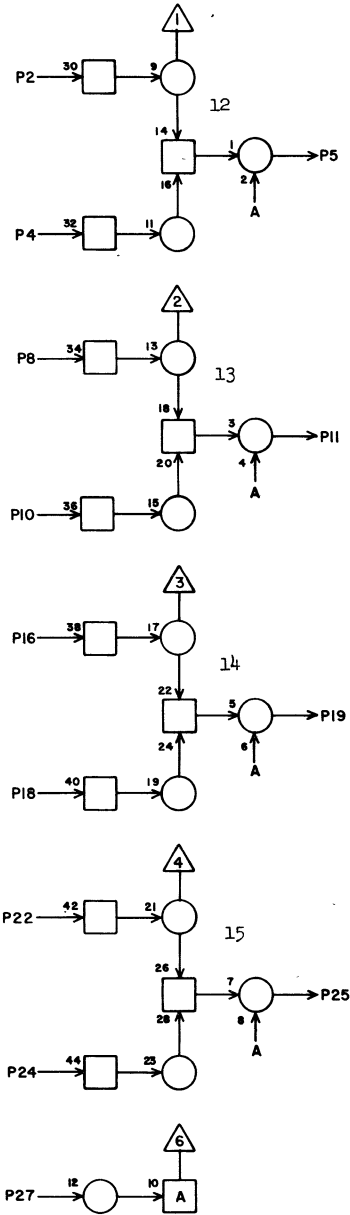


SPECIAL MODULE P2 4C5

1			
2	G25	23	29
3	A 1	4	11
4	G25	24	29
5	A 1	28	9
6	G26	3	27
7	A B	3	11
8			
9	C20	8	17
10	C20	18	17
11			
12			
13			
14			
15			
16	C21	20	17
17	C21	2	17
18			
19	G26	7	27
20			
21	A B	25	9
22	G26	23	27
23	A 1	2	13
24			
25	A 1	30	11
26			
27	G26	24	27
28			

JACK PIN LG

BANK 04 SENSE



PS

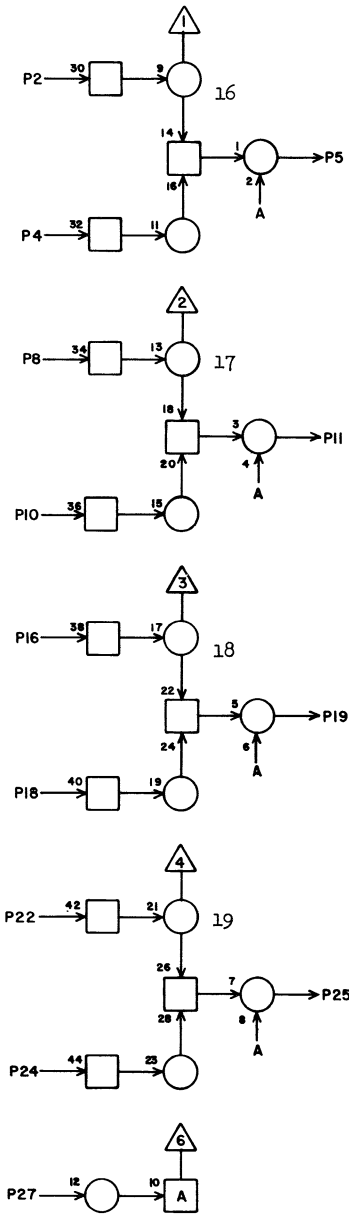
4C7

1			
2	A10	1	11
3			
4	A10	3	11
5	H 6	11	23
6			
7			
8	A10	27	9
9			
10	A10	29	9
11	H 6	7	21
12			
13			
14			
15			
16	A16	28	13
17			
18	A16	30	13
19	H 6	23	23
20			
21			
22	A16	2	15
23			
24	A16	4	15
25	H 7	11	21
26	C 3	28	7
27	C18	11	13
28	C 8	26	3

JACK PIN LG

63019200 Rev. C

BANK 04 SENSE



PS

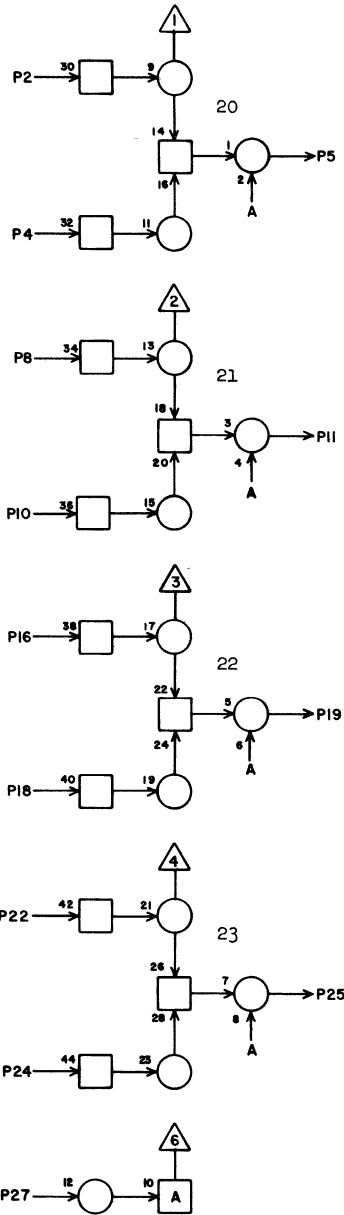
4C8

1			
2	A10	5	9
3			
4	A10	7	9
5	H 7	7	23
6			
7			
8	A10	23	7
9			
10	A10	25	7
11	H 7	23	23
12			
13			
14			
15			
16	A16	6	13
17			
18	A16	8	13
19	H 8	11	21
20			
21			
22	A16	24	13
23			
24	A16	26	13
25	H 8	7	21
26	C 7	28	3
27	C18	13	13
28	C 9	26	3

JACK PIN LG

63019200 Rev. C

BANK 04 SENSE



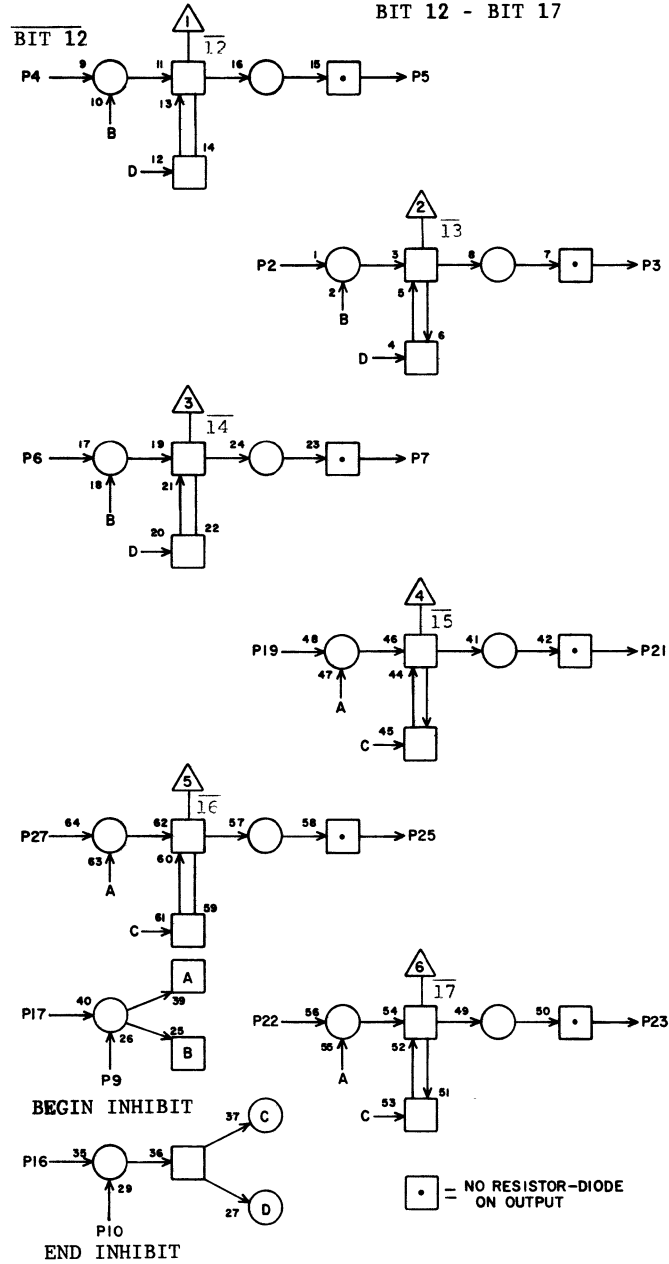
PS 4C9

1			
2	A10	19	7
3			
4	A10	21	7
5	H 8	23	23
6			
7			
8	A10	9	9
9			
10	A10	11	9
11	H 9	11	23
12			
13			
14			
15			
16	A16	10	11
17			
18	A16	12	11
19	H 9	7	21
20			
21			
22	A16	20	11
23			
24	A16	22	11
25	H 9	23	23
26	C 8	28	3
27	C18	16	11
28	C26	26	19

JACK PIN LG

63019200 Rev. C

BANK 04 RESTORE
BIT 12 - BIT 17

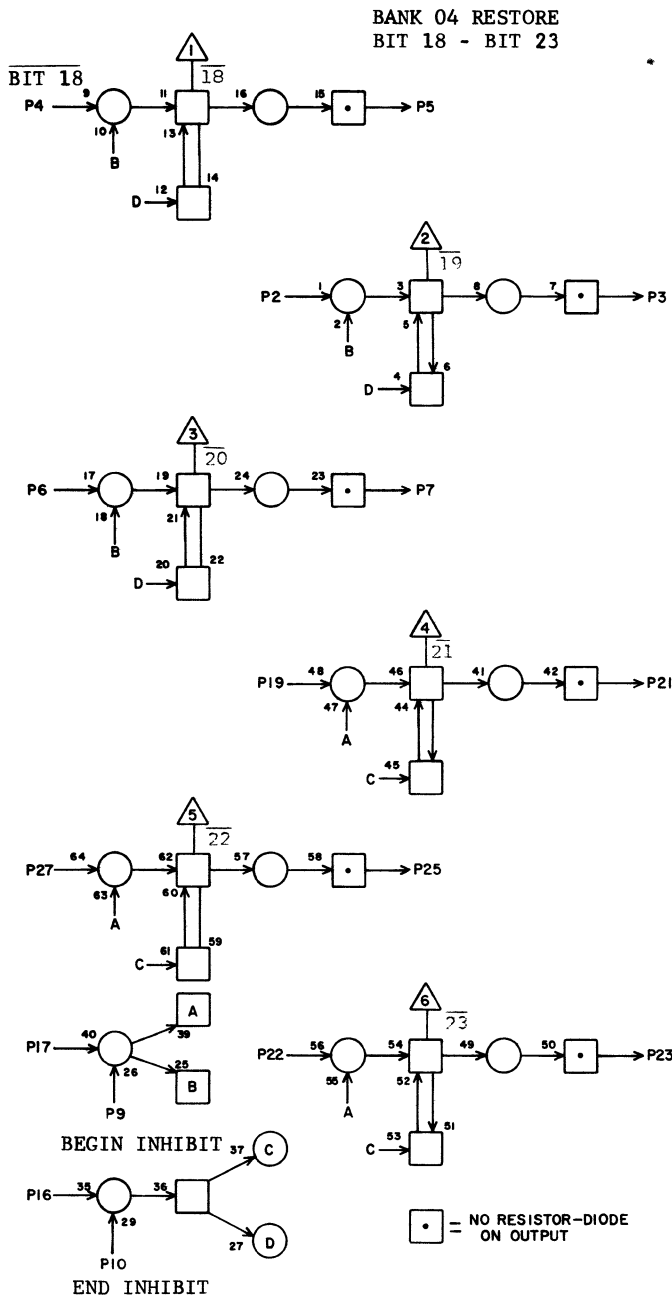


SPECIAL MODULE P2 4C10

1			
2	G28	7	25
3	A16	5	11
4	G28	3	25
5	A16	29	11
6	G28	24	27
7	A10	6	9
8			
9	C20	10	11
10	C20	20	11
11			
12			
13			
14			
15			
16	C21	21	13
17	C21	4	13
18			
19	G28	23	25
20			
21	A10	26	9
22	G29	7	25
23	A16	1	13
24			
25	A16	27	11
26			
27	G29	3	25
28			

JACK PIN LG

63019200 Rev. C



SPECIAL MODULE PZ 4C11

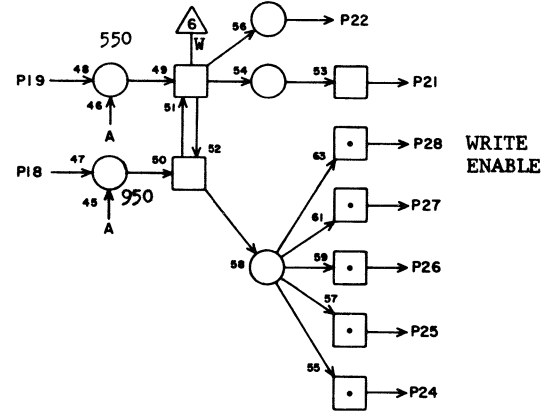
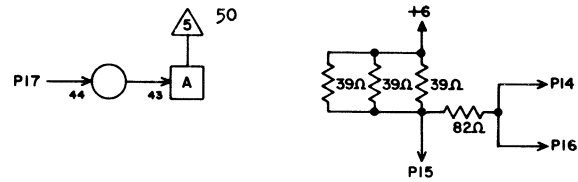
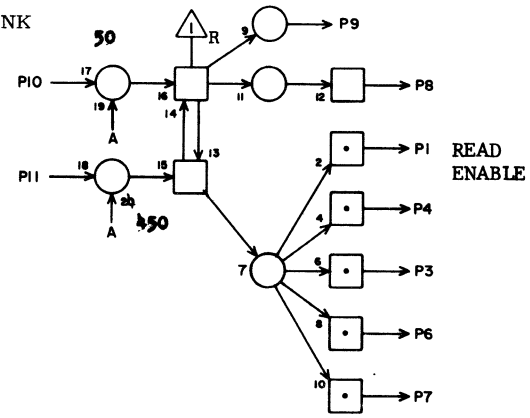
1			
2	G29	23	27
3	A10	4	9
4	G29	24	27
5	A10	28	7
6	G30	3	25
7	A16	3	11
8			
9	C20	12	11
10	C20	22	11
11			
12			
13			
14			
15			
16	C21	22	13
17	C21	6	13
18			
19	G30	7	25
20			
21	A16	25	11
22	G30	23	27
23	A10	2	11
24			
25	A10	30	9
26			
27	G30	24	27
28			

JACK PIN LG

63019200 Rev. C

BANK 04
STORAGE SEQUENCE CONTROL

GO BANK
04



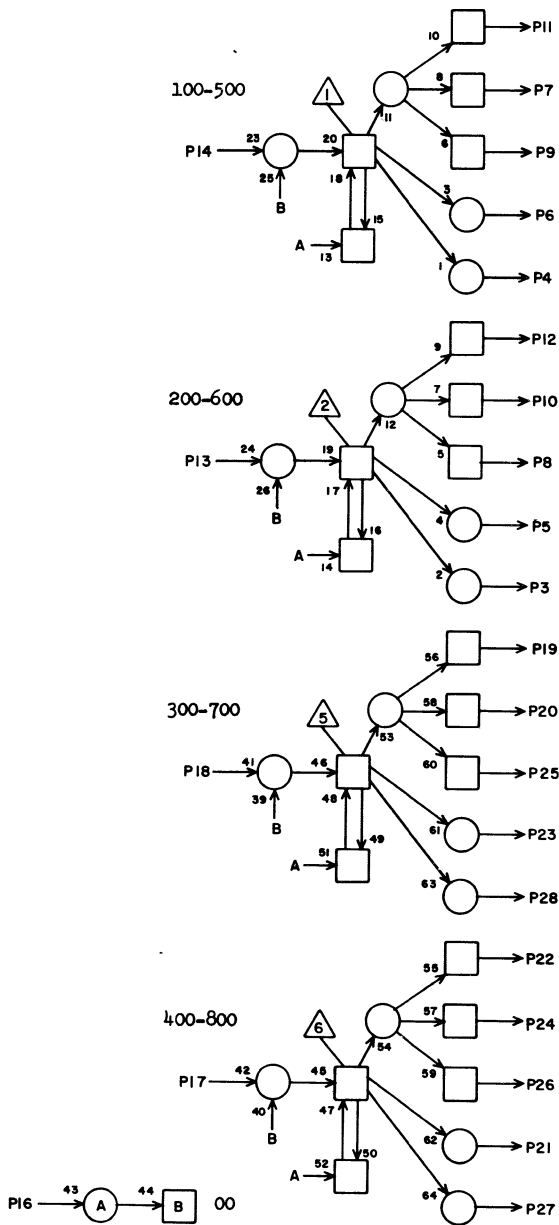
□ = NO RESISTOR-DIODE
ON OUTPUT

SPECIAL MODULE PU 4C14

1	A 6	23	29
2			
3	A16	23	29
4	A25	23	29
5			
6	A33	23	29
7	A42	23	29
8	F13	13	39
9	G 7	3	9
10	G05	25	39
11	C16	26	120
12			
13			
14	W07	907	
15	C 1	26	15
16	F14	14	13
17	C11	X	2
18	C17	6	7
19	F13	6	120
20			
21	C17	13	7
22	G 7	1	19
23			
24	A 8	21	11
25	A16	21	11
26	A25	21	15
27	A33	21	21
28	A42	21	29

JACK PIN LG

BANK 04
STORAGE SEQUENCE CONTROL



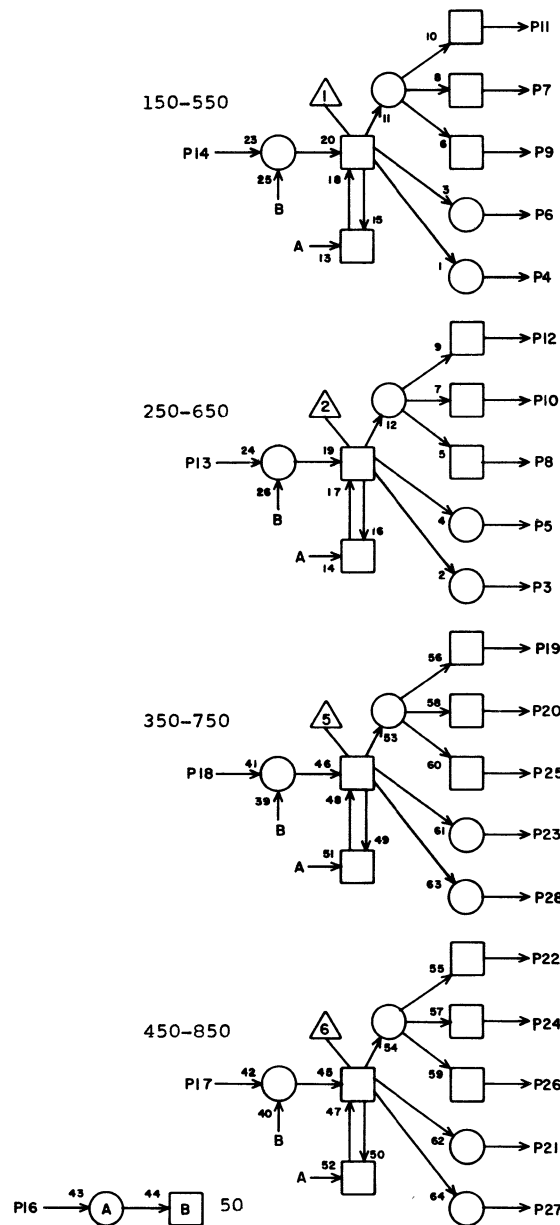
PD 4C15

1			
2			
3			
4			
5			
6			
7			
8	C16	13	5
9			
10			
11	C16	14	3
12			
13	C16	7	3
14	C16	8	39
15			
16	G22	17	19
17	C16	20	3
18	C16	8	5
19			
20	C16	18	5
21			
22	C16	17	5
23			
24			
25			
26			
27			
28			

JACK PIN LG

63019200 Rev. P

BANK 04
STORAGE SEQUENCE CONTROL



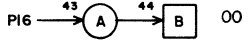
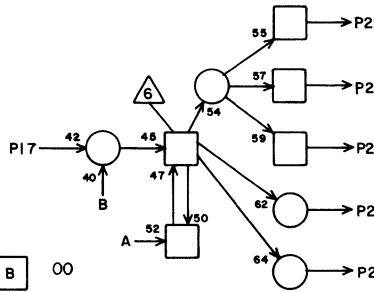
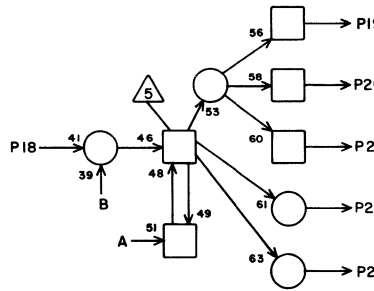
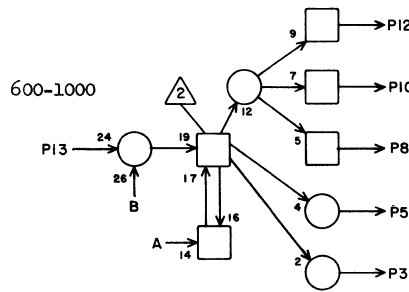
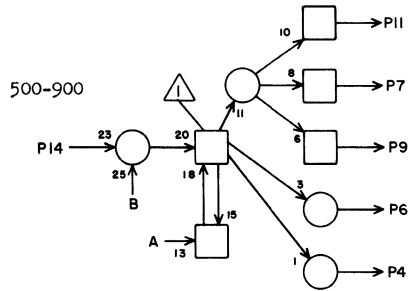
PD 4C16

1			
2			
3			
4			
5			
6			
7	C15	13	3
8	C15	18	5
9	C19	3	7
10	C18	1	5
11			
12			
13	C15	8	5
14	C15	11	3
15			
16	C21	18	7
17	C15	22	5
18	C15	20	5
19			
20	C15	17	3
21	C19	2	7
22	C17	14	3
23	G 7	5	19
24	C19	1	7
25			
26	C14	11	120
27			
28	C18	3	7

JACK PIN LG

63019200 Rev. P

BANK 04
STORAGE SEQUENCE CONTROL

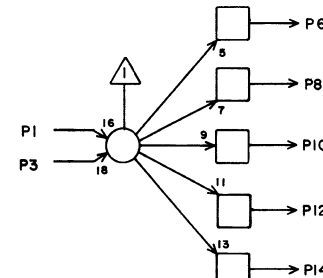


PD	4C17		
1			
2			
3			
4			
5			
6	C14	18	7
7	F13	5	108
8			
9			
10			
11			
12			
13	C14	21	7
14	C16	22	3
15			
16	G22	18	19
17			
18			
19			
20			
21			
22			
23			
24			
25			
26			
27			
28			

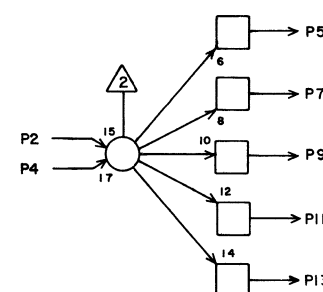
JACK PIN LG

63019200 Rev. L

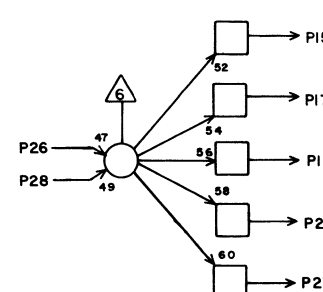
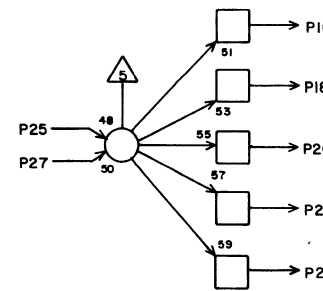
BANK 04
STORAGE SEQUENCE CONTROL
Sense Amplifier Gates



BANK 04 TO BANK MERGE



BANK 04 SENSE

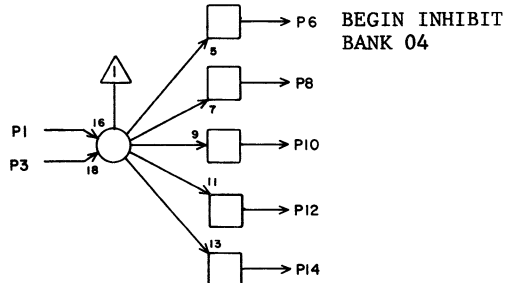


T D	4C18		
1	C16	10	5
2	C18	6	3
3	C16	28	7
4	C18	X	2
5	C 1	27	19
6	C18	2	3
7	C 2	27	17
8	C18	25	5
9	C 3	27	17
10	C18	26	5
11	C 7	27	13
12	G17	14	17
13	C 8	27	13
14			
15	C33	27	17
16	C 9	27	11
17	C34	27	17
18	C26	27	11
19	C38	27	21
20	C27	27	13
21	C39	27	21
22	C28	27	13
23	C40	27	23
24	C32	27	17
25	C18	8	5
26	C18	10	5
27	C18	X	2
28	C18	X	2

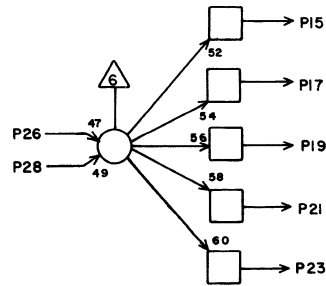
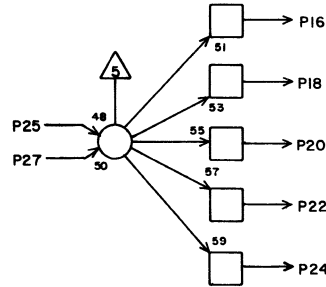
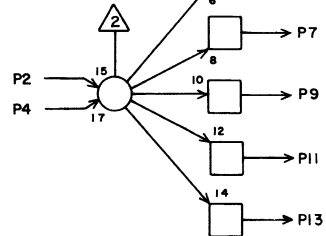
JACK PIN LG

63019200 Rev. L

BANK 04
STORAGE SEQUENCE CONTROL



END INHIBIT BANK 04



T D

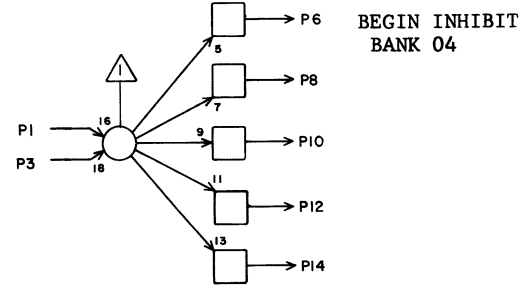
4 C19

1	C16	24	7
2	C16	21	7
3	C16	9	7
4	C19	X	2
5	C20	25	5
6	C20	3	5
7	C20	26	5
8	C20	2	3
9			
10			
11			
12			
13			
14			
15			
16			
17			
18			
19			
20			
21			
22			
23			
24			
25			
26			
27			
28			

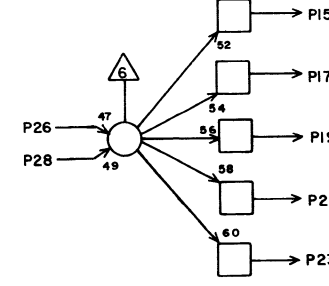
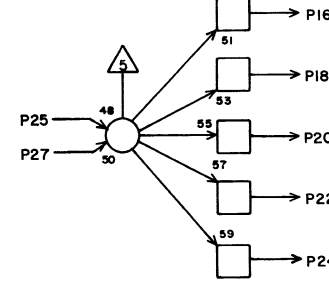
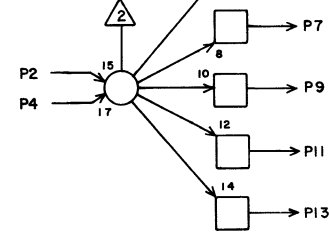
JACK PIN LG

63019200 Rev. C

BANK 04
STORAGE SEQUENCE CONTROL



END INHIBIT BANK 04



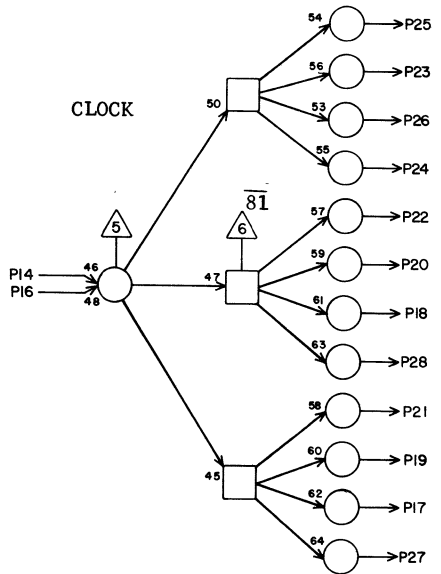
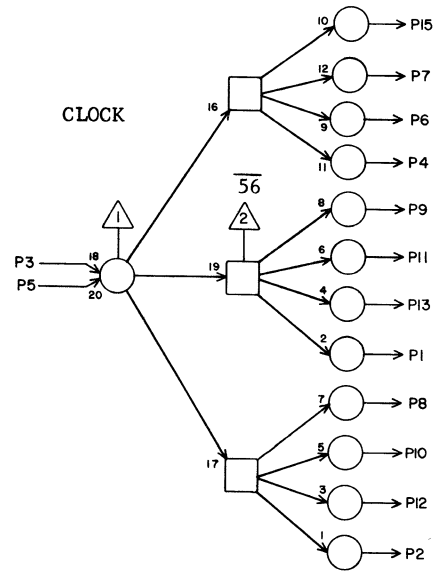
T D

4 C20

1	C20	X	2
2	C19	8	3
3	C19	6	5
4	C20	X	2
5	C30	9	13
6	C 4	9	17
7	C35	9	17
8	C 5	9	17
9	C36	9	17
10	C10	9	11
11	C41	9	23
12	C11	9	11
13	C42	9	23
14	C29	9	13
15	C30	10	13
16	C 4	10	17
17	C35	10	17
18	C 5	10	17
19	C36	10	17
20	C10	10	11
21	C41	10	21
22	C11	10	11
23	C42	10	23
24	C29	10	13
25	C19	5	5
26	C19	7	5
27	C20	X	2
28	C20	X	2

JACK PIN LG

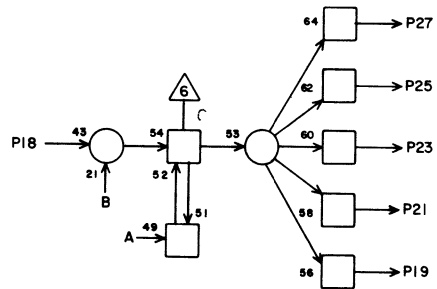
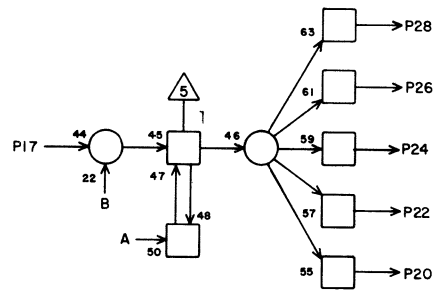
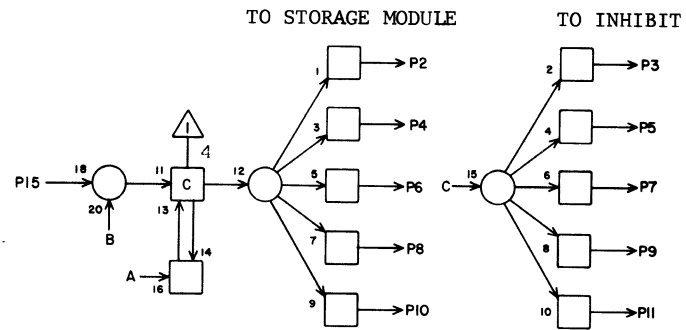
63019200 Rev. C



TC		4C21	
JACK	PIN	PIN	LG
1	C 4	17	19
2	C 5	17	17
3	G10	27	37
4	C10	17	13
5	C21	X	2
6	C11	17	13
7	C29	17	11
8	C30	17	13
9	C35	17	17
10	C36	17	17
11	C41	17	21
12	C42	17	23
13			
14	G10	18	39
15			
16	C21	X	2
17			
18	C16	16	7
19	C 4	16	19
20	C 5	16	17
21	C10	16	13
22	C11	16	13
23	C29	16	11
24	C30	16	11
25	C35	16	15
26	C36	16	17
27	C41	16	21
28	C42	16	23

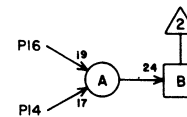
63019200 Rev. M

BANK 04
ADDRESS BITS 0,1,4



04 FREE

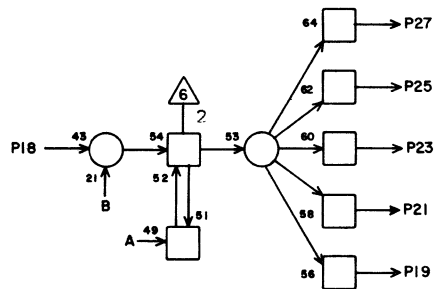
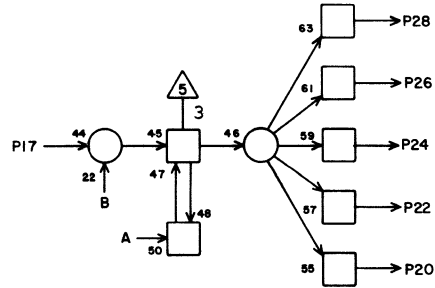
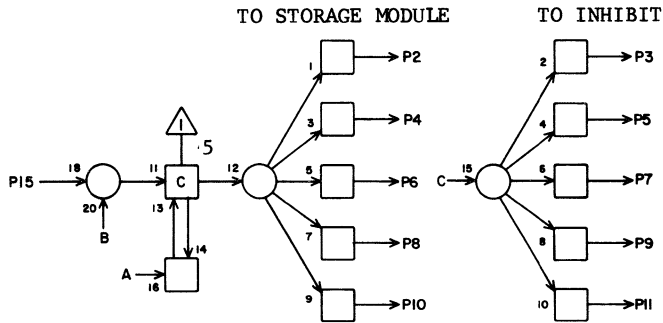
CLOCK



SA		4C22	
JACK	PIN	PIN	LG
1			
2	A 8	7	17
3	A 8	15	17
4	A16	7	11
5	A16	15	11
6	A25	7	9
7	A25	15	9
8	A33	7	15
9	A33	15	15
10	A42	7	23
11	A42	15	23
12			
13			
14	G22	1	17
15	G 2	3	25
16	G19	8	19
17	G 1	7	27
18	G 1	3	27
19	A 1	22	23
20	A 1	20	23
21	A10	22	17
22	A10	20	15
23	A18	22	11
24	A18	20	11
25	A26	22	11
26	A26	20	11
27	A35	22	17
28	A35	20	17

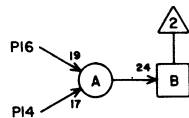
63019200 Rev. C

BANK 04
ADDRESS BITS 2,3,5



04 FREE

CLOCK



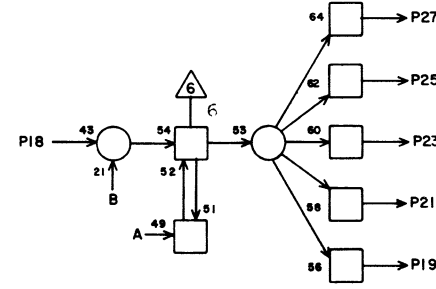
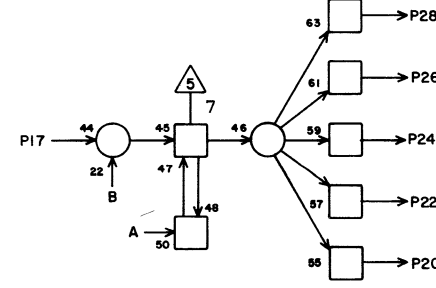
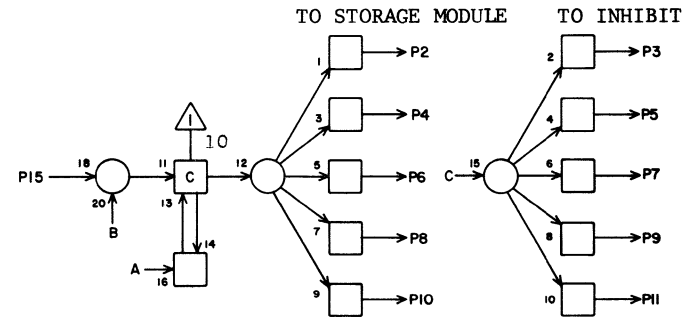
SA 4C23

1			
2	A 8	9	17
3	A 8	17	17
4	A16	9	11
5	A16	17	11
6	A25	9	9
7	A25	17	9
8	A33	9	15
9	A33	17	15
10	A42	9	21
11	A42	17	21
12			
13			
14	G22	2	17
15	G 2	7	27
16	G19	10	19
17	G 1	20	29
18	G 1	24	29
19	A 1	8	25
20	A 1	10	23
21	A10	8	17
22	A10	10	17
23	A18	8	13
24	A18	10	13
25	A26	8	11
26	A26	10	11
27	A35	8	17
28	A35	10	17

JACK PIN LG

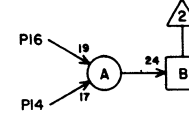
63019200 Rev. C

BANK 04
ADDRESS BITS 6,7,10



04 FREE

CLOCK



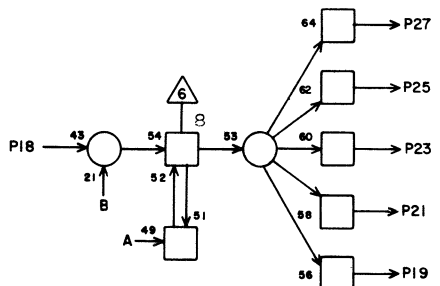
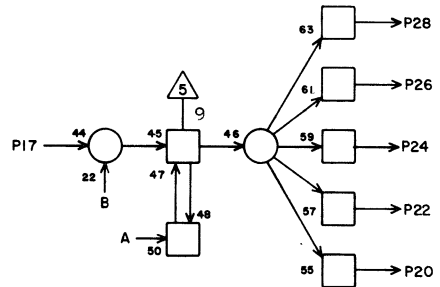
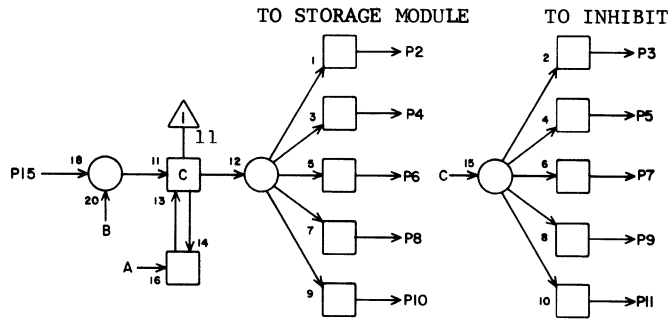
SA 4C24

1			
2	A 1	18	25
3	A 8	19	17
4	A10	18	17
5	A16	19	13
6	A18	18	11
7	A25	19	9
8	A26	18	9
9	A33	19	13
10	A35	18	15
11	A42	19	19
12			
13			
14	G22	4	17
15	G 3	24	27
16	G19	12	19
17	G 2	20	29
18	G 2	24	29
19	A 8	13	19
20	A 8	11	19
21	A16	13	13
22	A16	11	13
23	A25	13	11
24	A25	11	11
25	A33	13	15
26	A33	11	15
27	A42	13	21
28	A42	11	21

JACK PIN LG

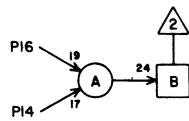
63019200 Rev. C

BANK 04
ADDRESS BITS 8,9,11



04 FREE

CLOCK

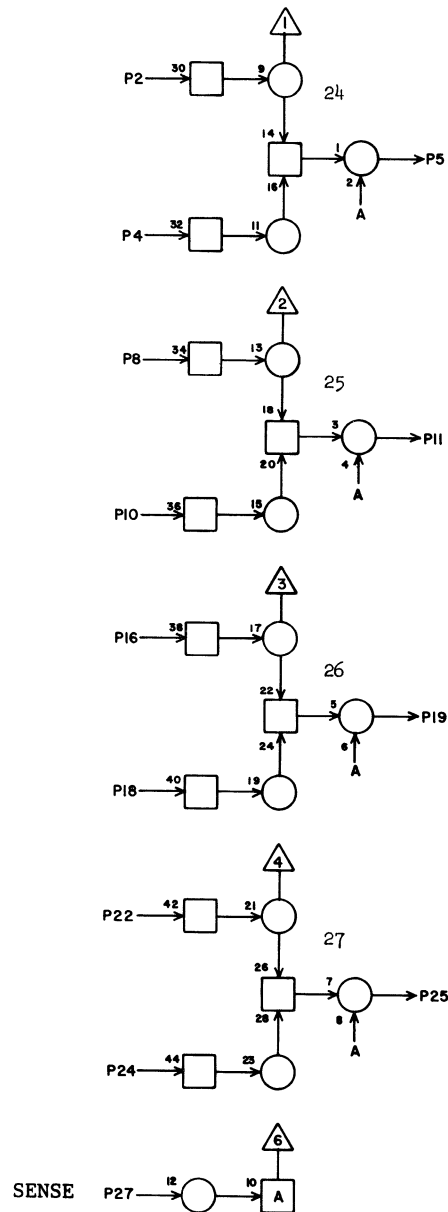


SA 4-25

JACK	PIN	LG
1		
2	A 1	1F 25
3	A 1	24 25
4	A10	16 17
5	A10	24 17
6	A18	16 11
7	A18	24 13
8	A26	16 9
9	A26	24 7
10	A35	16 13
11	A35	24 13
12		
13		
14	G22	6 19
15	G 3	20 29
16	G19	14 19
17	G 3	7 27
18	G 3	3 27
19	A 1	12 25
20	A 1	14 25
21	A10	12 19
22	A10	14 19
23	A18	12 13
24	A18	14 13
25	A26	12 11
26	A26	14 11
27	A35	12 15
28	A35	14 15

63019200 Rev. C

BANK 04 SENSE



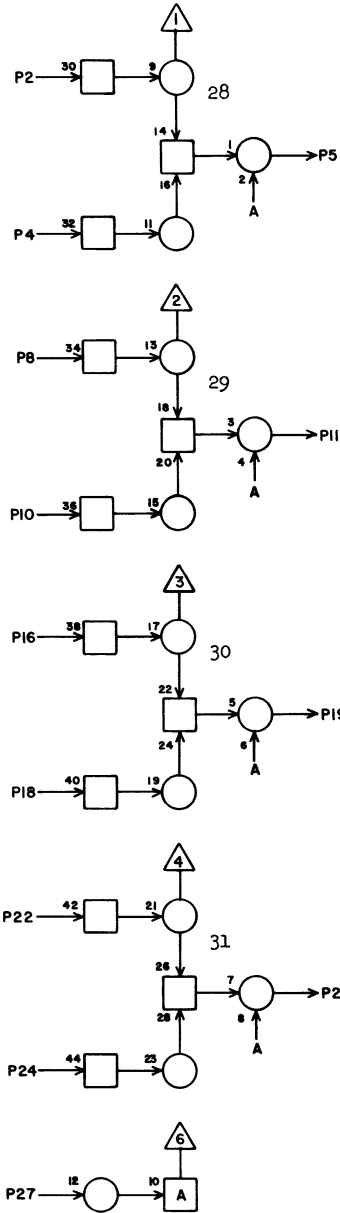
SENSE

PS 4 C26

JACK	PIN	LG
1		
2	A18	1 13
3		
4	A18	3 13
5	H11	11 25
6		
7		
8	A18	27 11
9		
10	A18	29 11
11	H11	7 25
12		
13		
14		
15		
16	A25	28 9
17		
18	A25	30 9
19	H11	23 25
20		
21		
22	A25	2 11
23		
24	A25	4 11
25	H12	11 25
26	C 9	28 19
27	C18	18 11
28	C27	26 3

63019200 Rev. C

BANK 04 SENSE



SENSE

PS

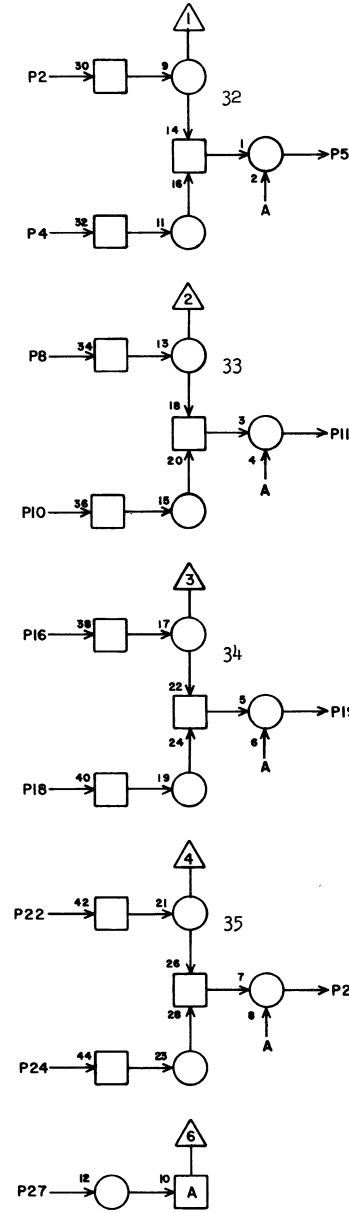
4C27

1			
2	A18	5	13
3			
4	A18	7	13
5	H12	7	27
6			
7			
8	A18	23	13
9			
10	A18	25	13
11	H12	23	27
12			
13			
14			
15			
16	A25	6	11
17			
18	A25	8	11
19	H13	11	25
20			
21			
22	A25	24	9
23			
24	A25	26	9
25	H13	7	25
26	C26	28	3
27	C18	20	13
28	C28	26	3

JACK PIN LG

63019200 Rev. C

BANK 04 SENSE



SENSE

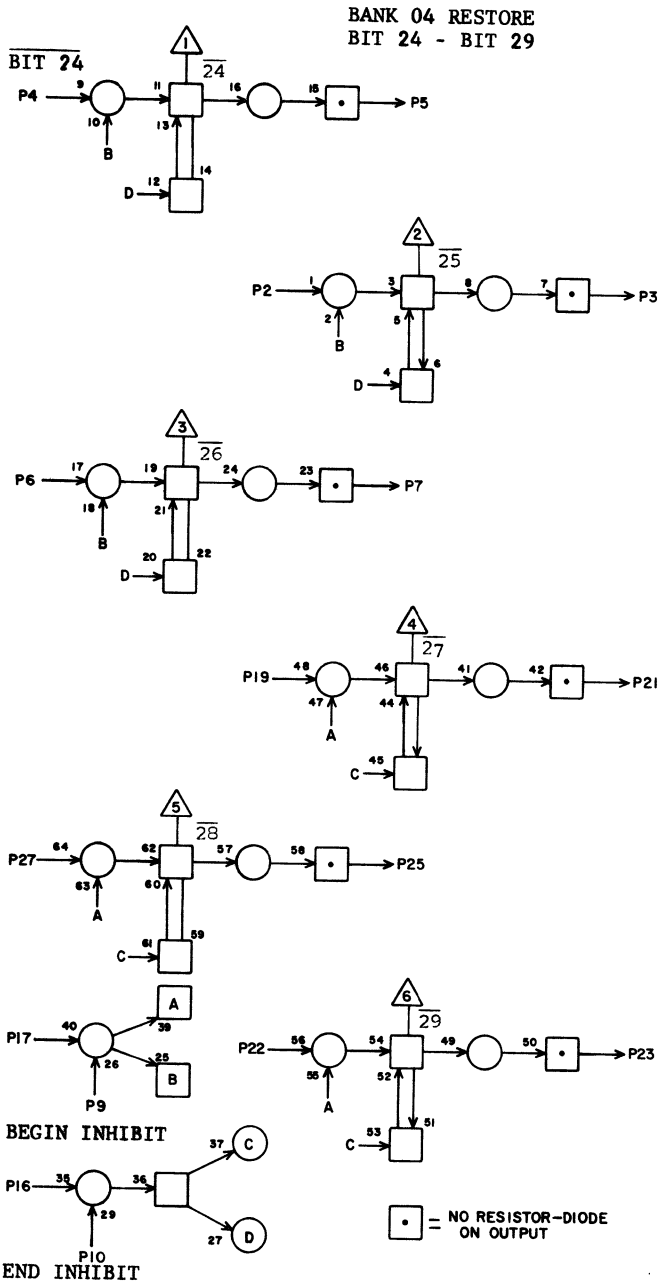
PS

4C28

1			
2	A18	19	13
3			
4	A18	21	13
5	H13	23	27
6			
7			
8	A18	9	15
9			
10	A18	11	15
11	H14	11	25
12			
13			
14			
15			
16	A25	10	11
17			
18	A25	12	11
19	H14	7	25
20			
21			
22	A25	20	11
23			
24	A25	22	11
25	H14	23	25
26	C27	28	3
27	C18	22	13
28	C32	26	7

JACK PIN LG

63019200 Rev. C

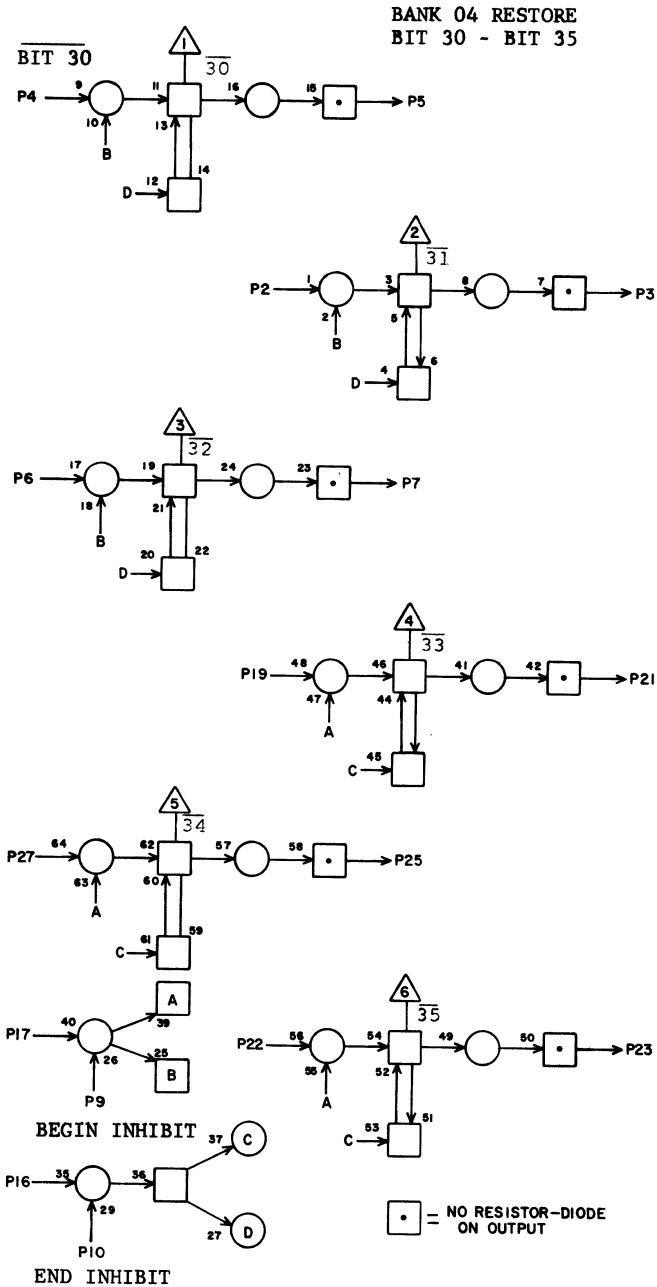


SPECIAL MODULE P2 4C29

1			
2	G32	7	17
3	A25	5	9
4	G32	3	19
5	A25	29	9
6	G32	24	21
7	A18	6	15
8			
9	C20	14	13
10	C20	24	13
11			
12			
13			
14			
15			
16	C21	23	11
17	C21	7	11
18			
19	G32	23	19
20			
21	A18	26	15
22	G33	7	19
23	A25	1	13
24			
25	A25	27	11
26			
27	G33	3	17
28			

JACK PIN LG

63019200 Rev. C.



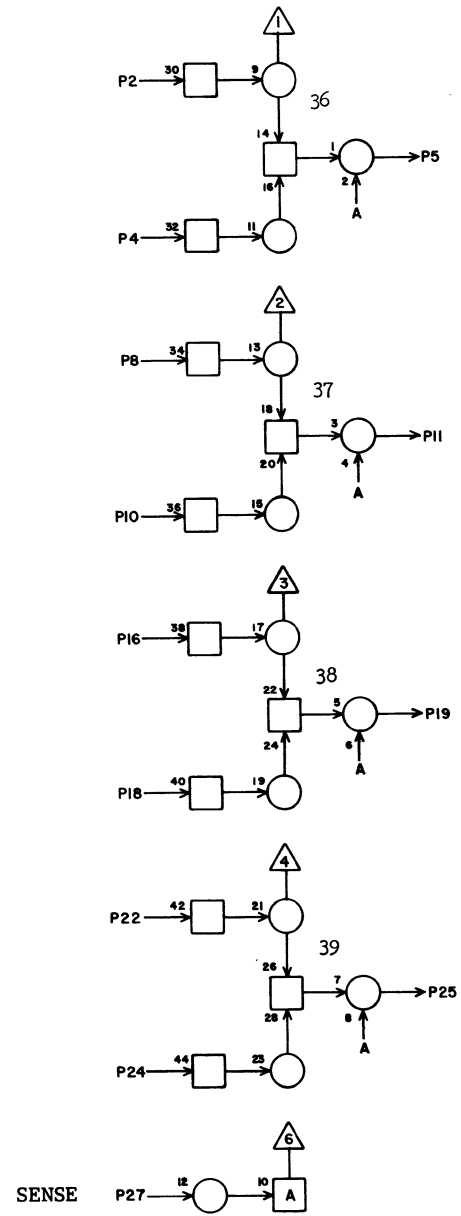
SPECIAL MODULE P2 4C30

1			
2	G33	23	19
3	A18	4	17
4	G33	24	19
5	A18	28	15
6	G34	3	19
7	A25	3	11
8			
9	C20	5	13
10	C20	15	13
11			
12			
13			
14			
15			
16	C21	24	11
17	C21	8	13
18			
19	G34	7	19
20			
21	A25	25	11
22	G34	23	19
23	A18	2	17
24			
25	A18	30	15
26			
27	G34	24	19
28			

JACK PIN LG

63019200 Rev. C

BANK 04 SENSE

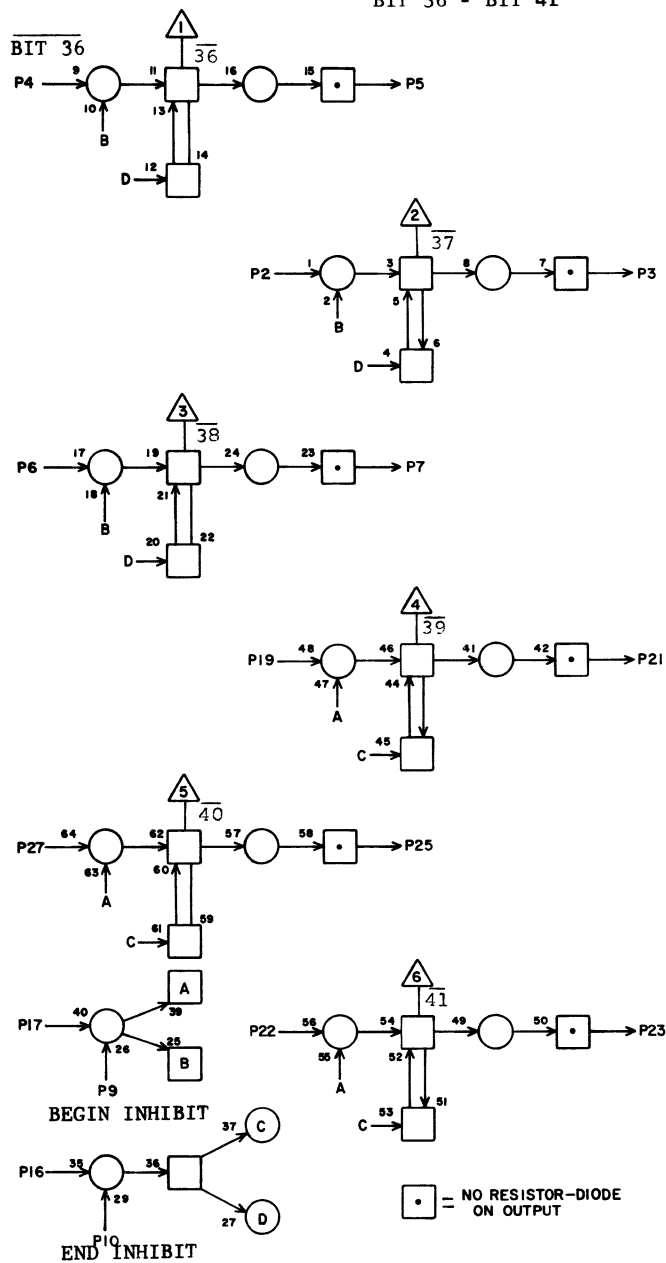


PS 4C32

1			
2	A26	1	11
3			
4	A26	3	11
5	H16	11	25
6			
7			
8	A26	27	9
9			
10	A26	29	9
11	H16	7	25
12			
13			
14			
15			
16	A33	28	9
17			
18	A33	30	9
19	H16	23	25
20			
21			
22	A33	2	11
23			
24	A33	4	11
25	H17	11	25
26	C28	28	7
27	C18	24	17
28	C33	26	3

JACK PIN LG

BANK 04 RESTORE
BIT 36 - BIT 41



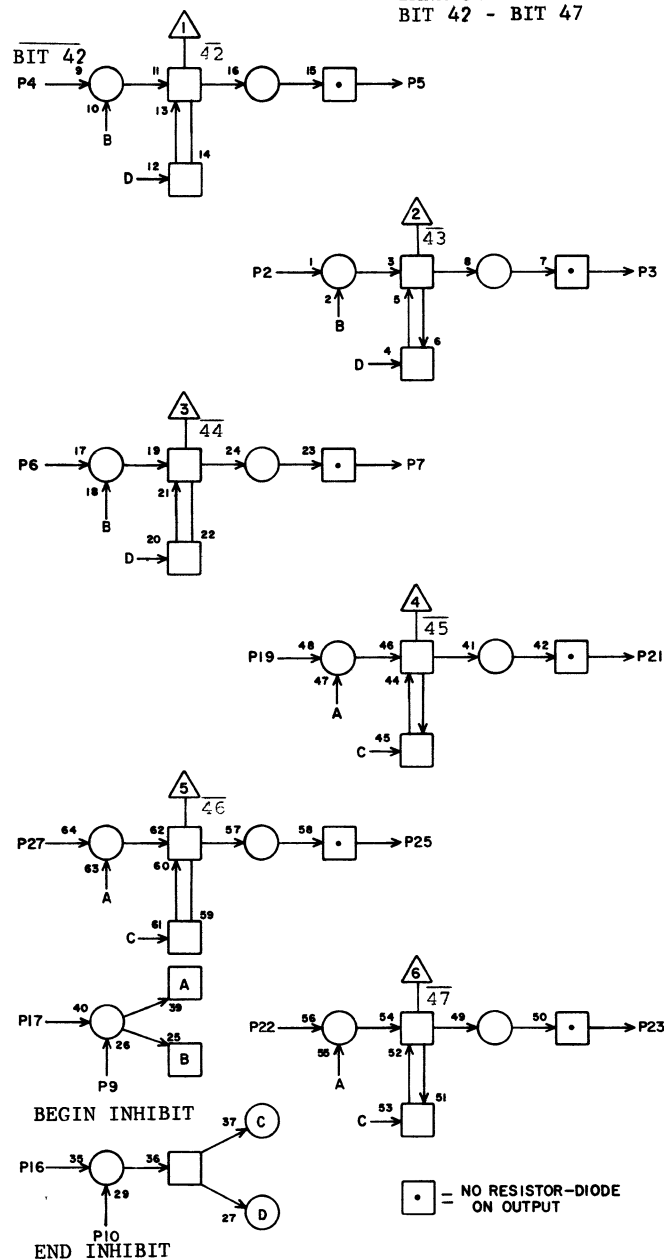
SPECIAL MODULE PZ 4C35

1			
2	G36	7	17
3	A33	5	9
4	G36	3	19
5	A33	29	7
6	G36	24	19
7	A26	6	13
8			
9	C20	7	17
10	C20	17	17
11			
12			
13			
14			
15			
16	C21	25	15
17	C21	9	17
18			
19	G36	23	19
20			
21	A26	26	13
22	G37	7	17
23	A33	1	11
24			
25	A33	27	9
26			
27	G37	3	17
28			

JACK PIN LG

63019200 Rev. C

BANK 04 RESTORE
BIT 42 - BIT 47



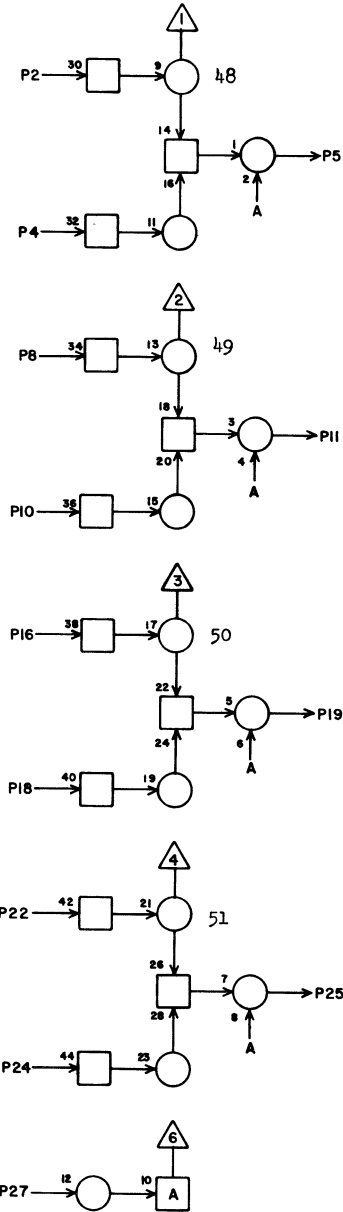
SPECIAL MODULE PZ 4C36

1			
2	G37	23	21
3	A26	4	15
4	G37	24	21
5	A26	28	13
6	G38	3	19
7	A33	3	11
8			
9	C20	9	17
10	C20	19	17
11			
12			
13			
14			
15			
16	C21	26	17
17	C21	10	17
18			
19	G38	7	17
20			
21	A33	25	9
22	G38	23	19
23	A26	2	15
24			
25	A26	30	15
26			
27	G38	24	19
28			

JACK PIN LG

63019200 Rev. C

BANK 04 MERGE



SENSE

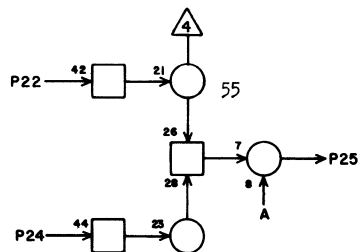
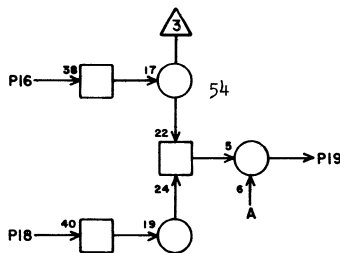
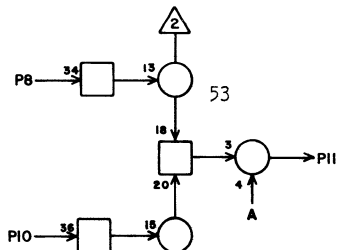
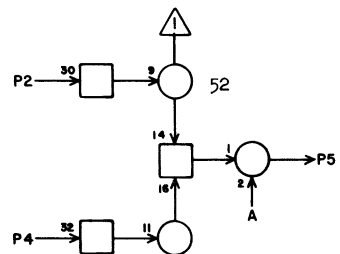
PS

4 C38

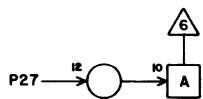
1			
2	A35	1	11
3			
4	A35	3	11
5	H21	11	27
6			
7			
8	A35	27	9
9			
10	A35	29	9
11	H21	7	27
12			
13			
14			
15			
16	A42	28	9
17			
18	A42	30	9
19	H21	23	27
20			
21			
22	A42	2	13
23			
24	A42	4	13
25	H22	11	25
26	C34	28	7
27	C18	19	21
28	C39	26	3

JACK PIN LG

BANK 04 MERGE



SENSE



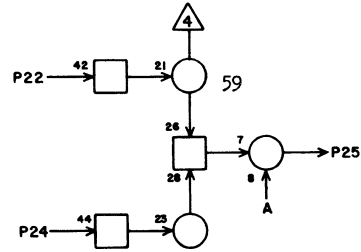
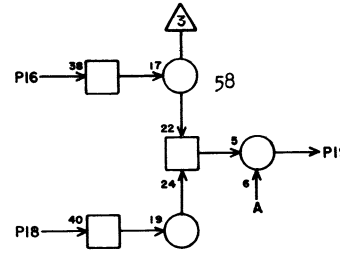
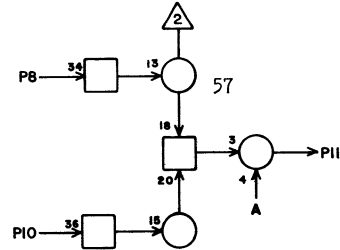
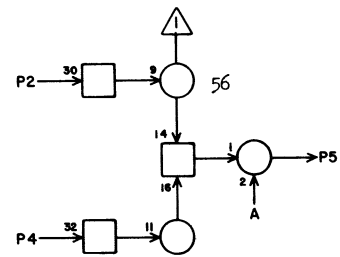
PS 4C39

1			
2	A35	5	11
3			
4	A35	7	11
5	H22	7	27
6			
7			
8	A35	23	9
9			
10	A35	25	9
11	H22	23	27
12			
13			
14			
15			
16	A42	6	11
17			
18	A42	8	11
19	H23	11	27
20			
21			
22	A42	24	9
23			
24	A42	26	9
25	H23	7	25
26	C38	28	3
27	C18	21	21
28	C40	26	3

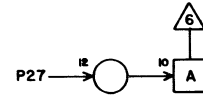
JACK PIN LG

63019200 Rev. C

BANK 04 MERGE



SENSE



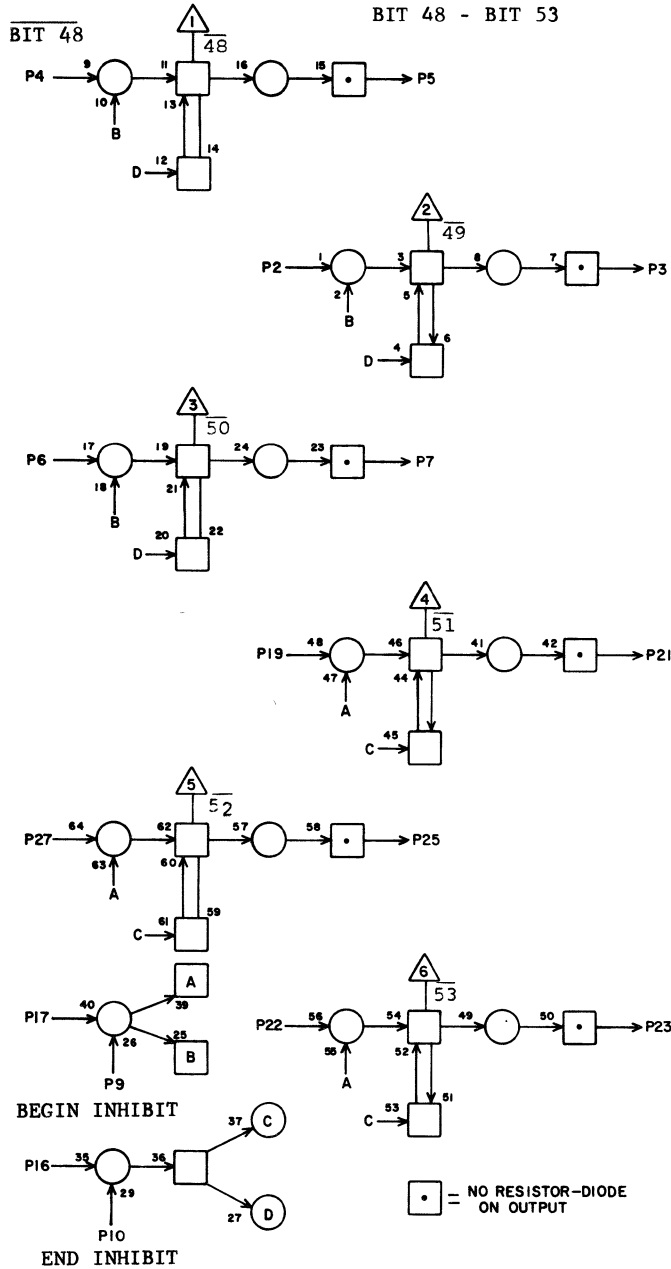
PS 4C40

1			
2	A35	19	9
3			
4	A35	21	9
5	H23	23	27
6			
7			
8	A35	9	11
9			
10	A35	11	11
11	H24	11	27
12			
13			
14			
15			
16	A42	10	9
17			
18	A42	12	9
19	H24	7	27
20			
21			
22	A42	20	9
23			
24	A42	22	9
25	H24	23	27
26	C39	28	3
27	C18	23	23
28			

JACK PIN LG

63019200 Rev. C

BANK 04 RESTORE
BIT 48 - BIT 53



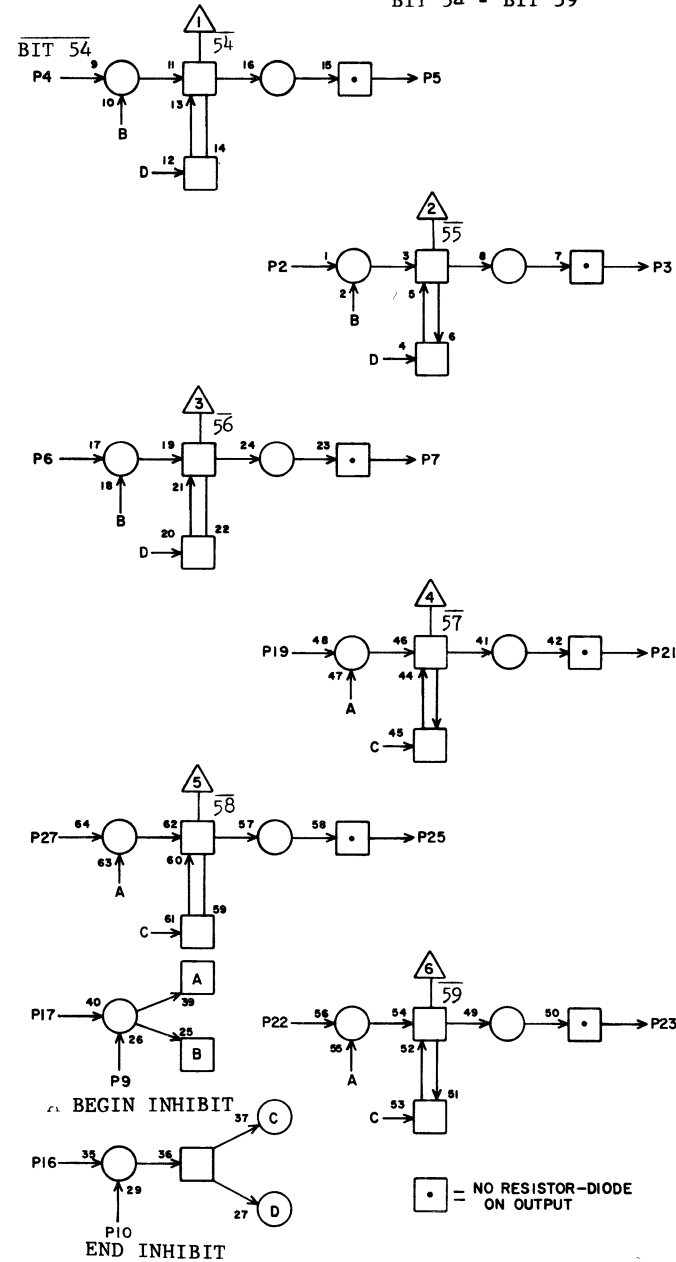
SPECIAL MODULE P2 4C41

1			
2	G40	7	19
3	A42	5	9
4	G40	3	19
5	A42	29	7
6	G40	24	19
7	A35	6	13
8			
9	C20	11	23
10	C20	21	21
11			
12			
13			
14			
15			
16	C21	27	21
17	C21	11	21
18			
19	G40	23	19
20			
21	A35	26	13
22	G41	7	17
23	A42	1	11
24			
25	A42	27	9
26			
27	G41	3	17
28			

JACK PIN LG

63019200 Rev. C

BANK 04 RESTORE
BIT 54 - BIT 59



SPECIAL MODULE P2 4C42

1			
2	G41	23	21
3	A35	4	11
4	G41	24	17
5	A35	28	11
6	G42	3	17
7	A42	3	9
8			
9	C20	13	23
10	C20	23	23
11			
12			
13			
14			
15			
16	C21	28	23
17	C21	12	23
18			
19	G42	7	17
20			
21	A42	25	9
22	G42	23	17
23	A35	2	15
24			
25	A35	30	13
26			
27	G42	24	19
28			

JACK PIN LG

63019200 Rev. F

**STORAGE
MODULE**

4D1

FUNCTION	PIN
Address	
S ⁰	22
S ¹	20
S ²	8
S ³	10
S ⁴	12
S ⁵	14
S ⁶	18
S ⁷	16
Store	
Z ²	6
Z ³	26
Z ⁴	28
Z ⁵	4
Z ⁶	30
Z ⁷	2
Read	
2 ⁰	1
2 ¹	3
2 ²	27
2 ³	29
2 ⁴	5
2 ⁵	7
2 ⁶	23
2 ⁷	19
2 ⁸	21
2 ⁹	9
Inhibit	
S ¹¹	24
Power	
+5 To Inhibit	13
+5 To Inhibit	17
Ground	15

1	F 1	2	9
2	F 5	23	11
3	F 1	4	9
4	F 5	3	11
5	F 2	2	9
6	F 4	7	11
7	F 2	4	9
8	F23	19	25
9	F 3	8	9
10	F23	20	23
11	F 3	10	9
12	F25	19	25
13			
14	F25	20	25
15	D1	X	2
16	F25	2	25
17			
18	F24	2	23
19	F 3	2	7
20	F22	20	23
21	F 3	4	7
22	F22	19	23
23	F 2	8	7
24	F25	3	25
25	F 2	10	7
26	F 4	21	9
27	F 1	8	7
28	F 5	5	9
29	F 1	10	7
30	F 5	25	9

JACK PIN LG

4D8

FUNCTION	PIN
Address	
S ⁴	7
S ⁵	9
S ⁶	13
S ⁷	11
Store	
Z ⁰	29
Z ¹	5
Z ⁴	27
Z ⁵	1
Z ⁸	3
Z ⁹	25
Read	
2 ²	28
2 ³	30
2 ⁴	2
2 ⁶	4
2 ⁶	6
2 ⁷	8
2 ⁷	24
2 ¹⁰	26
2 ¹⁰	10
2 ¹¹	12
2 ¹¹	20
2 ¹¹	22
Inhibit	
S ⁴	15
S ⁵	17
S ¹⁰	19
Control	
Read Enable	23
Write Enable	21
Power	
+8 To Drive	18
+6 To Drive	14
Ground	16

1	F 4	23	13
2	F 1	22	13
3	F 5	7	11
4	F 1	24	13
5	F 4	3	11
6	F 2	16	13
7	F22	2	17
8	F 2	18	13
9	F23	2	17
10	F 3	16	11
11	F24	20	19
12	F 3	18	11
13	F24	19	19
14	+6 Bus		
15	F22	3	17
16	D8	X	2
17	F23	3	17
18			
19	F24	3	17
20	F 3	22	11
21	F14	24	11
22	F 3	24	11
23	F14	1	29
24	F 2	22	11
25	F 5	21	9
26	F 2	24	11
27	F 4	25	11
28	F 1	16	11
29	F 4	5	9
30	F 1	18	11

JACK PIN LG

63019200 Rev. F

**STORAGE
MODULE**

4D10

FUNCTION	PIN
Address	
S ⁰	22
S ¹	20
S ²	8
S ³	10
S ³	12
S ⁹	14
S ¹⁰	18
S ¹¹	16
Store	
Z ²	6
Z ³	26
Z ⁶	28
Z ⁷	4
Z ¹⁰	30
Z ¹¹	2
Read	
2 ⁰	1
2 ¹	3
2 ¹	27
2 ¹	29
2 ⁴	7
2 ⁴	5
2 ⁵	23
2 ⁵	25
2 ⁸	19
2 ⁹	21
2 ⁹	9
2 ⁹	11
Inhibit	
S ¹¹	24
Power	
+5 To Inhibit	13
+5 To Inhibit	17
Ground	15

1	F 7	2	11
2	F11	23	11
3	F 7	4	11
4	F11	3	9
5	F 8	2	9
6	F10	7	9
7	F 8	4	9
8	F23	21	17
9	F 9	8	9
10	F23	22	17
11	F 9	10	9
12	F25	21	19
13			
14	F25	22	19
15	D10	X	2
16	F25	4	17
17			
18	F24	4	17
19	F 9	2	7
20	F22	22	17
21	F 9	4	7
22	F22	21	17
23	F 8	8	9
24	F25	5	19
25	F 8	10	9
26	F10	21	9
27	F 7	8	9
28	F11	5	7
29	F 7	10	9
30	F11	25	9

JACK PIN LG

4D16

FUNCTION	PIN
Address	
S ⁴	7
S ⁵	9
S ⁶	13
S ⁷	11
Store	
Z ⁰	29
Z ¹	5
Z ⁴	27
Z ⁵	1
Z ⁸	3
Z ⁹	25
Read	
2 ²	28
2 ²	30
2 ³	2
2 ³	4
2 ⁶	6
2 ⁶	8
2 ⁷	24
2 ⁷	26
2 ¹⁰	10
2 ¹⁰	12
2 ¹¹	20
2 ¹¹	22
Inhibit	
S ⁴	15
S ⁵	17
S ¹⁰	19
Control	
Read Enable	23
Write Enable	21
Power	
+8 To Drive	18
+6 To Drive	14
Ground	16

1	F10	23	13
2	F 7	22	15
3	F11	7	11
4	F 7	24	15
5	F10	3	13
6	F 8	16	15
7	F22	4	11
8	F 8	18	15
9	F23	4	11
10	F 9	16	13
11	F24	22	13
12	F 9	18	13
13	F24	21	13
14	+6 Bus		
15	F22	5	11
16	D16	X	2
17	F23	5	11
18			
19	F24	5	13
20	F 9	22	13
21	F14	25	11
22	F 9	24	13
23	F14	3	29
24	F 8	22	13
25	F11	21	11
26	F 8	24	13
27	F10	25	11
28	F 7	16	13
29	F10	5	11
30	F 7	18	13

JACK PIN LG

63019200 Rev. F

4D18

STORAGE
MODULE

FUNCTION	PIN
Address	
S ⁰	22
S ¹	20
S ²	8
S ³	10
S ⁶	12
S ⁹	14
S ¹⁰	18
S ¹¹	16
Store	
Z ²	6
Z ³	26
Z ⁶	28
Z ⁷	4
Z ¹⁰	30
Z ¹¹	2
Read	
Z ⁰	1
Z ¹	3
Z ¹	27
Z ¹	29
Z ⁴	5
Z ⁵	7
Z ⁵	23
Z ⁵	25
Z ⁸	19
Z ⁹	21
Z ⁹	9
Z ⁹	11
Inhibit	
S ¹¹	24
Power	
+5 To Inhibit	13
+5 To Inhibit	17
Ground	15

1	F26	2	13
2	F30	23	17
3	F26	4	13
4	F30	3	17
5	F27	2	13
6	F29	7	15
7	F27	4	13
8	F23	23	13
9	F28	8	15
10	F23	24	13
11	F28	10	15
12	F25	23	13
13			
14	F25	24	13
15	D18	X	2
16	F25	6	11
17			
18	F24	6	11
19	F28	2	13
20	F22	24	11
21	F28	4	13
22	F22	23	11
23	F27	8	13
24	F25	7	11
25	F27	10	13
26	F29	21	15
27	F26	8	13
28	F30	5	15
29	F26	10	13
30	F30	25	15

JACK PIN LG

4D25

FUNCTION	PIN
Address	
S ⁴	7
S ⁵	9
S ⁷	13
S ⁷	11
Store	
Z ⁰	29
Z ¹	5
Z ⁴	27
Z ⁵	1
Z ⁸	3
Z ⁹	25
Read	
Z ²	28
Z ²	30
Z ³	2
Z ³	4
Z ⁶	6
Z ⁶	8
Z ⁷	24
Z ⁷	26
Z ¹⁰	10
Z ¹⁰	12
Z ¹¹	20
Z ¹¹	22
Inhibit	
S ⁴	15
S ⁵	17
S ¹⁰	19
Control	
Read Enable	23
Write Enable	21
Power	
+8 To Drive	18
+6 To Drive	14
Ground	16

1	F29	23	13
2	F26	22	11
3	F30	7	11
4	F26	24	11
5	F29	3	11
6	F27	16	11
7	F22	6	9
8	F27	18	11
9	F23	6	9
10	F28	16	11
11	F24	24	11
12	F28	18	11
13	F24	23	11
14	+6 Bus		
15	F22	7	9
16	D25	X	2
17	F23	7	9
18			
19	F24	7	9
20	F28	22	11
21	F14	26	15
22	F28	24	11
23	F14	4	29
24	F27	22	9
25	F30	21	11
26	F27	24	9
27	F29	25	11
28	F26	16	11
29	F29	5	9
30	F26	18	11

JACK PIN LG

63019200 Rev. F

4D26

STORAGE
MODULE

FUNCTION	PIN
Address	
S ⁰	22
S ¹	20
S ²	8
S ³	10
S ⁶	12
S ⁹	14
S ¹⁰	18
S ¹¹	16
Store	
Z ²	6
Z ³	26
Z ⁶	28
Z ⁷	4
Z ¹⁰	30
Z ¹¹	2
Read	
Z ⁰	1
Z ⁰	3
Z ¹	27
Z ¹	29
Z ⁴	5
Z ⁵	7
Z ⁵	23
Z ⁵	25
Z ⁸	19
Z ⁸	21
Z ⁹	9
Z ⁹	11
Inhibit	
S ¹¹	24
Power	
+5 To Inhibit	13
+5 To Inhibit	17
Ground	15

1	F32	2	11
2	F36	23	15
3	F32	4	11
4	F36	3	13
5	F33	2	11
6	F35	7	13
7	F33	4	11
8	F23	25	11
9	F34	8	13
10	F23	26	11
11	F34	10	13
12	F25	25	11
13			
14	F25	26	11
15	D26	X	2
16	F25	8	9
17			
18	F24	8	9
19	F34	2	11
20	F22	26	11
21	F34	4	11
22	F22	25	11
23	F33	8	11
24	F25	9	7
25	F33	10	11
26	F35	21	13
27	F32	8	9
28	F36	5	13
29	F32	10	9
30	F36	25	15

JACK PIN LG

4D33

FUNCTION	PIN
Address	
S ⁴	7
S ⁵	9
S ⁶	13
S ⁷	11
Store	
Z ⁰	29
Z ¹	5
Z ⁴	27
Z ⁵	1
Z ⁸	3
Z ⁹	25
Read	
Z ²	28
Z ²	30
Z ³	2
Z ³	4
Z ⁶	6
Z ⁶	8
Z ⁷	24
Z ⁷	26
Z ¹⁰	10
Z ¹⁰	12
Z ¹¹	20
Z ¹¹	22
Inhibit	
S ⁴	15
S ⁵	17
S ¹⁰	19
Control	
Read Enable	23
Write Enable	21
Power	
+8 To Drive	18
+6 To Drive	14
Ground	16

1	F35	23	11
2	F32	22	11
3	F36	7	11
4	F32	24	11
5	F35	3	9
6	F33	16	11
7	F22	8	15
8	F33	18	11
9	F23	8	15
10	F34	16	9
11	F24	26	15
12	F34	18	9
13	F24	25	15
14	+6 Bus		
15	F22	9	15
16	D33	X	2
17	F23	9	15
18			
19	F24	9	13
20	F34	22	9
21	F14	27	21
22	F34	24	9
23	F14	6	29
24	F33	22	9
25	F36	21	9
26	F33	24	9
27	F35	25	9
28	F32	16	9
29	F35	5	7
30	F32	18	9

JACK PIN LG

63019200 Rev. F

4 D35

STORAGE
MODULE

FUNCTION	PIN
Address	
S ⁰	22
S ¹	20
S ²	8
S ³	10
S ⁶	12
S ⁹	14
S ¹⁰	18
S ¹¹	16
Store	
Z ²	6
Z ³	26
Z ⁶	28
Z ⁷	4
Z ¹⁰	30
Z ¹¹	2
Read	
Z ⁰	1
Z ⁰	3
Z ¹	27
Z ¹	29
Z ⁴	5
Z ⁴	7
Z ⁵	23
Z ⁵	25
Z ⁸	19
Z ⁸	21
Z ⁹	9
Z ⁹	11
Inhibit	
S ¹¹	24
Power	
+5 To Inhibit	13
+5 To Inhibit	17
Ground	15

1	F38	2	11
2	F42	23	15
3	F38	4	11
4	F42	3	13
5	F39	2	11
6	F41	7	13
7	F39	4	11
8	F23	27	17
9	F40	8	11
10	F23	28	17
11	F40	10	11
12	F25	27	15
13			
14	F25	28	15
15	D35	X	2
16	F25	10	15
17			
18	F24	10	15
19	F40	2	9
20	F22	28	17
21	F40	4	9
22	F22	27	17
23	F39	8	9
24	F25	11	13
25	F39	10	9
26	F41	21	13
27	F38	8	9
28	F42	5	11
29	F38	10	9
30	F42	25	13

JACK PIN LG

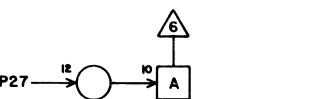
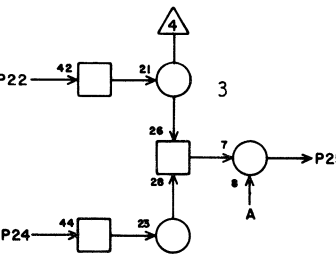
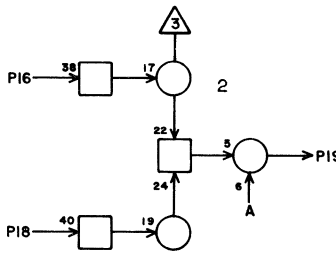
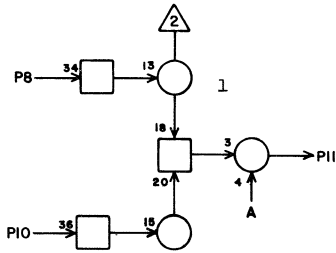
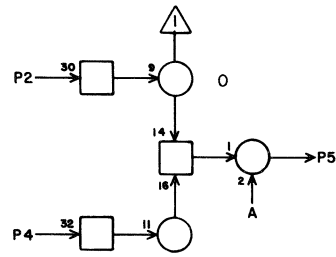
4 D42

FUNCTION	PIN
Address	
S ⁴	7
S ⁹	9
S ⁶	13
S ⁷	11
Store	
Z ⁰	29
Z ¹	5
Z ⁴	27
Z ⁵	1
Z ⁸	3
Z ⁹	25
Read	
Z ²	28
Z ²	30
Z ³	2
Z ³	4
Z ⁶	6
Z ⁶	8
Z ⁷	24
Z ⁷	26
Z ¹⁰	10
Z ¹⁰	12
Z ¹¹	20
Z ¹¹	22
Inhibit	
S ⁴	15
S ⁵	17
S ¹⁰	19
Control	
Read Enable	23
Write Enable	21
Power	
+8 To Drive	18
+6 To Drive	14
Ground	16

1	F41	23	11
2	F38	22	13
3	F42	7	9
4	F38	24	13
5	F41	3	9
6	F39	16	11
7	F22	10	23
8	F39	18	11
9	F23	10	21
10	F40	16	11
11	F24	28	21
12	F40	18	11
13	F24	27	21
14	+6 Bus		
15	F22	11	21
16	D42	X	2
17	F23	11	21
18			
19	F24	11	19
20	F40	22	11
21	F14	28	29
22	F40	24	11
23	F14	7	29
24	F39	22	9
25	F42	21	9
26	F39	24	9
27	F41	25	9
28	F38	16	9
29	F41	5	7
30	F38	18	9

JACK PIN LG

BANK 05 SENSE



SENSE

PS

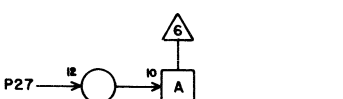
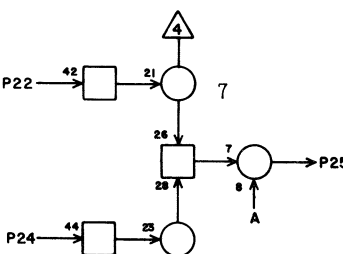
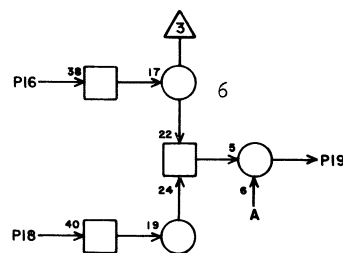
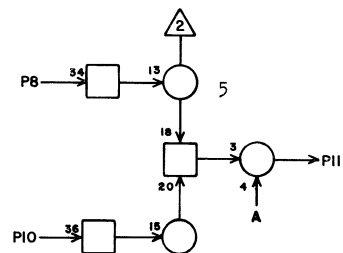
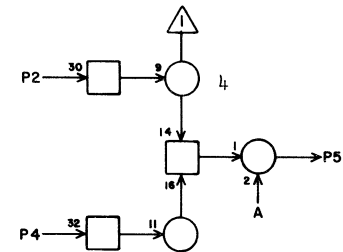
4F1

1			
2	D 1	1	9
3			
4	D 1	3	9
5	H 1	13	13
6			
7			
8	D 1	27	7
9			
10	D 1	29	7
11	H 1	9	11
12			
13			
14			
15			
16	D 8	28	11
17			
18	D 8	30	11
19	H 1	25	13
20			
21			
22	D 8	2	13
23			
24	D 8	4	13
25	H 2	13	11
26	F14	15	15
27	F18	5	19
28	F02	26	3

JACK PIN LG

63019200 Rev. N

BANK 05 SENSE



SENSE

PS

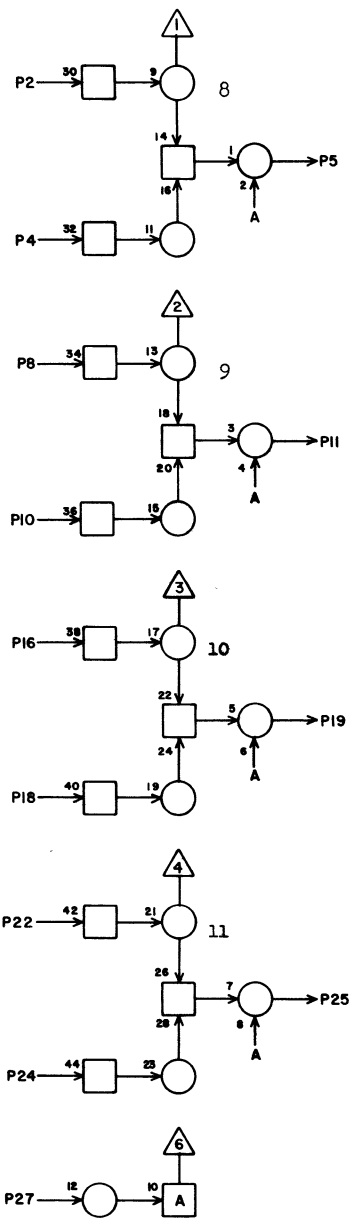
4F2

1			
2	D 1	5	9
3			
4	D 1	7	9
5	H 2	9	11
6			
7			
8	D 1	23	7
9			
10	D 1	25	7
11	H 2	25	13
12			
13			
14			
15			
16	D 8	6	13
17			
18	D 8	8	13
19	H 3	13	11
20			
21			
22	D 8	24	11
23			
24	D 8	26	11
25	H 3	9	11
26	F01	28	3
27	F18	7	17
28	F 3	26	3

JACK PIN LG

63019200 Rev. N

BANK 05 SENSE



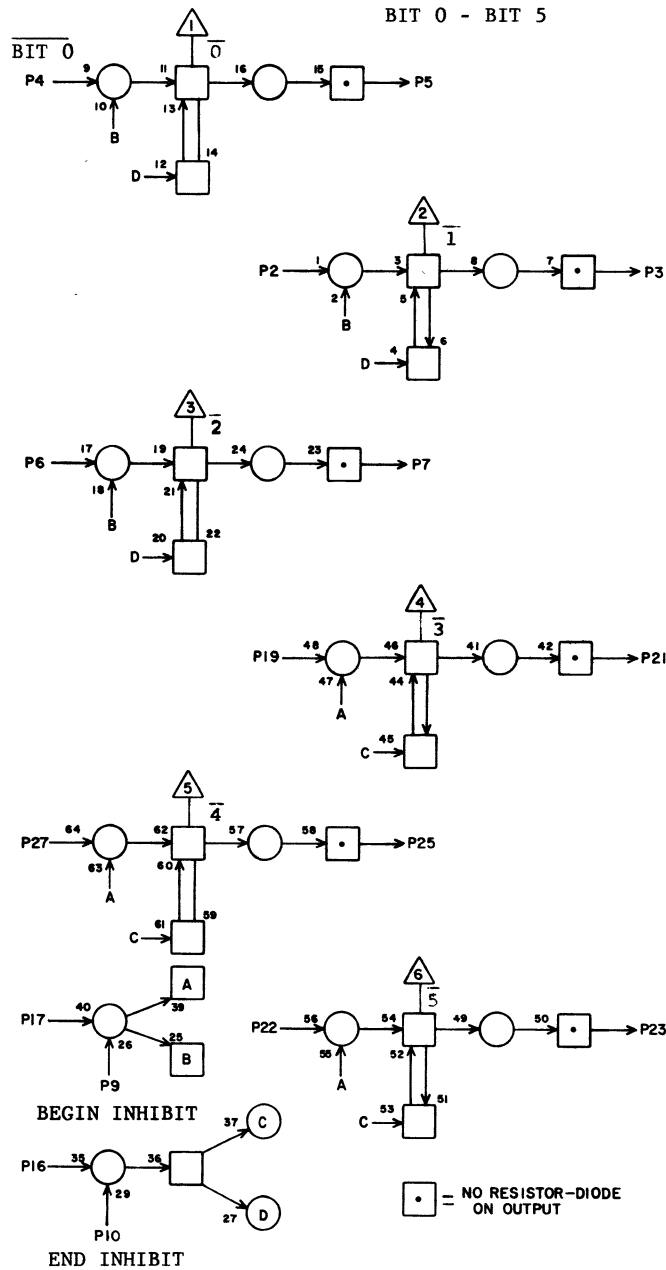
PS 4 F3

1			
2	D 1	19	7
3			
4	D 1	21	7
5	H 3	25	13
6			
7			
8	D 1	9	9
9			
10	D 1	11	9
11	H 4	13	11
12			
13			
14			
15			
16	D 8	10	11
17			
18	D 8	12	11
19	H 4	9	11
20			
21			
22	D 8	20	11
23			
24	D 8	22	11
25	H 4	25	11
26	F 2	28	3
27	F18	9	17
28	F 7	26	7

JACK PIN LG

63019200 Rev. C

BANK 5 RESTORE
BIT 0 - BIT 5



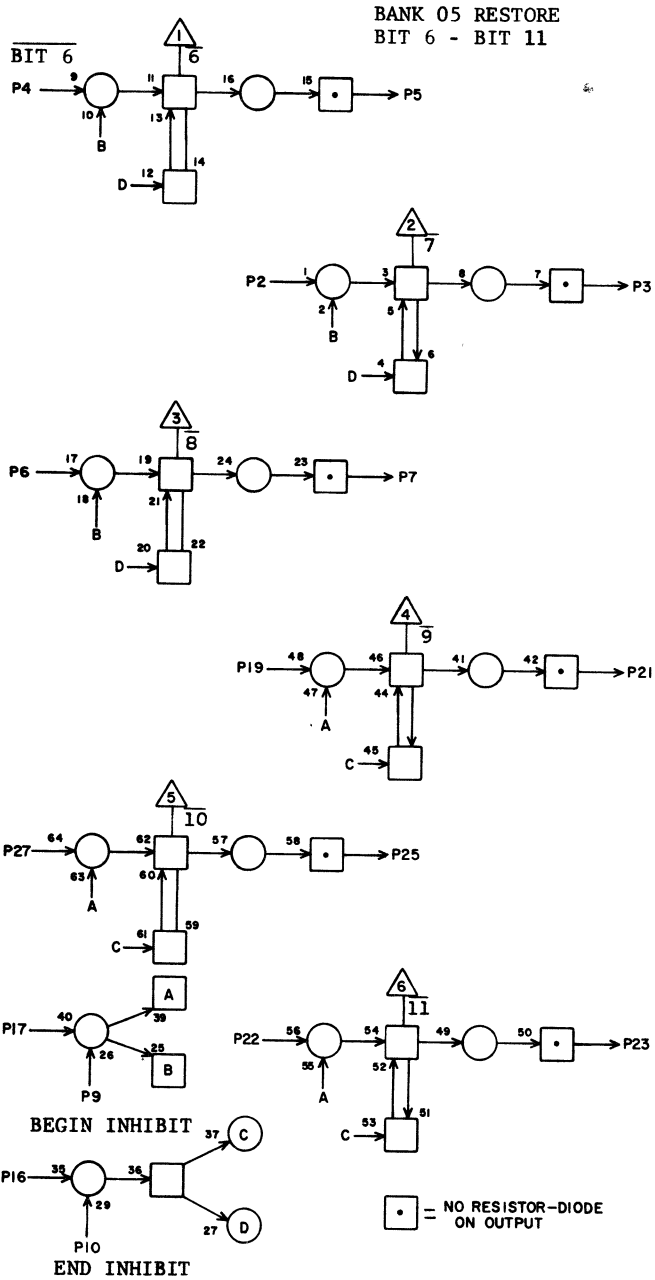
• = NO RESISTOR-DIODE ON OUTPUT

SPECIAL MODULE P2 4 F4

1			
2	G24	8	23
3	D 8	5	11
4	G24	4	23
5	D 8	29	9
6	G24	25	23
7	D 1	6	11
8			
9	F20	6	17
10	F20	16	17
11			
12			
13			
14			
15			
16	F21	19	19
17	F21	1	19
18			
19	G24	22	23
20			
21	D 1	26	9
22	G25	8	23
23	D 8	1	13
24			
25	D 8	27	11
26			
27	G25	4	23
28			

JACK PIN LG

63019200 Rev. C

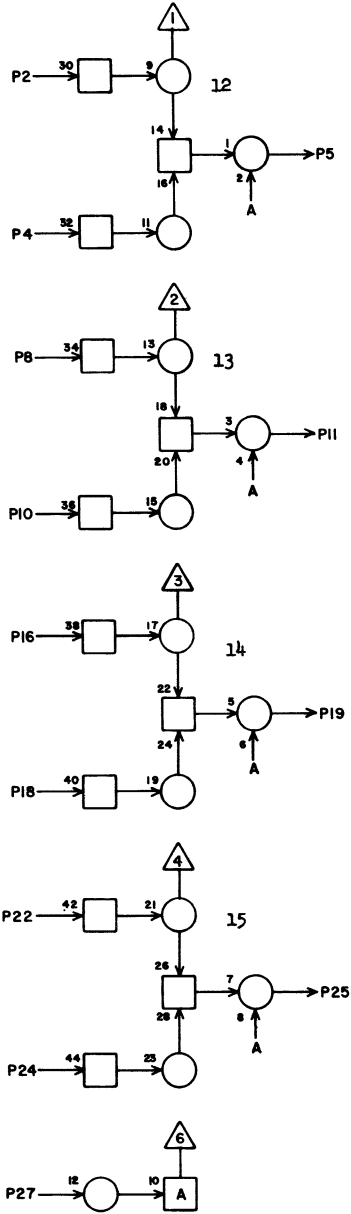


SPECIAL MODULE P2 4F5

1			
2	G25	22	23
3	D 1	4	11
4	G25	25	23
5	D 1	28	9
6	G26	4	23
7	D 8	3	11
8			
9	F20	8	17
10	F20	18	17
11			
12			
13			
14			
15			
16	F21	20	17
17	F21	2	17
18			
19	G26	8	23
20			
21	D 8	25	9
22	G26	22	23
23	D 1	2	11
24			
25	D 1	30	9
26			
27	G26	25	23
28			

JACK PIN LG

BANK 05 SENSE



SENSE

PS

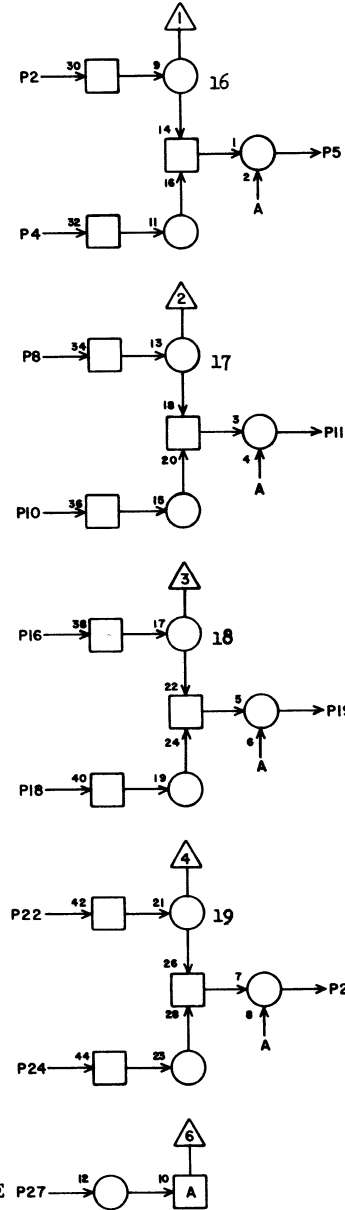
4 F7

1			
2	D10	1	11
3			
4	D10	3	11
5	H 6	13	13
6			
7			
8	D10	27	9
9			
10	D10	29	9
11	H 6	9	11
12			
13			
14			
15			
16	D16	28	13
17			
18	D16	30	13
19	H 6	25	13
20			
21			
22	D16	2	15
23			
24	D16	4	15
25	H 7	13	11
26	F 3	28	7
27	F18	11	13
28	F 8	26	3

JACK PIN LG

63019200 Rev. C

BANK 05 SENSE



SENSE

PS

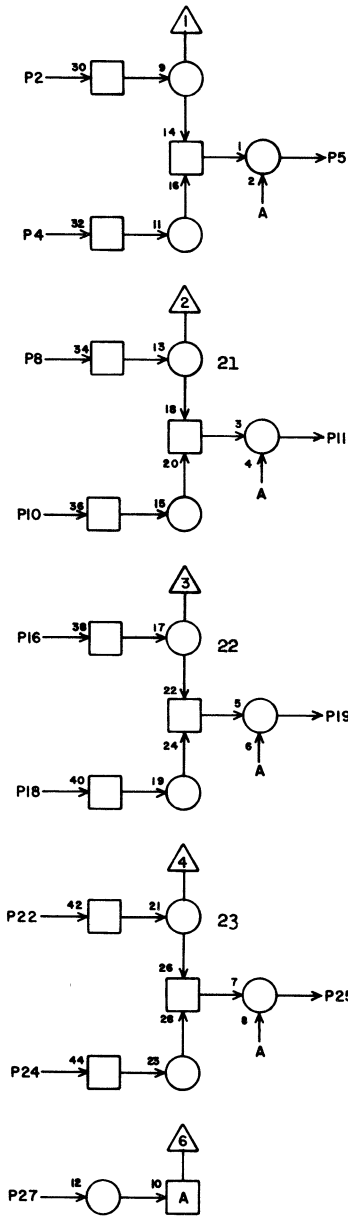
4 F8

1			
2	D10	5	9
3			
4	D10	7	9
5	H 7	9	13
6			
7			
8	D10	23	9
9			
10	D10	25	9
11	H 7	25	13
12			
13			
14			
15			
16	D16	6	15
17			
18	D16	8	15
19	H 8	13	11
20			
21			
22	D16	24	13
23			
24	D16	26	13
25	H 8	9	11
26	F 7	28	3
27	F18	13	13
28	F 9	26	3

JACK PIN LG

63019200 Rev. C

BANK 05 SENSE



SENSE

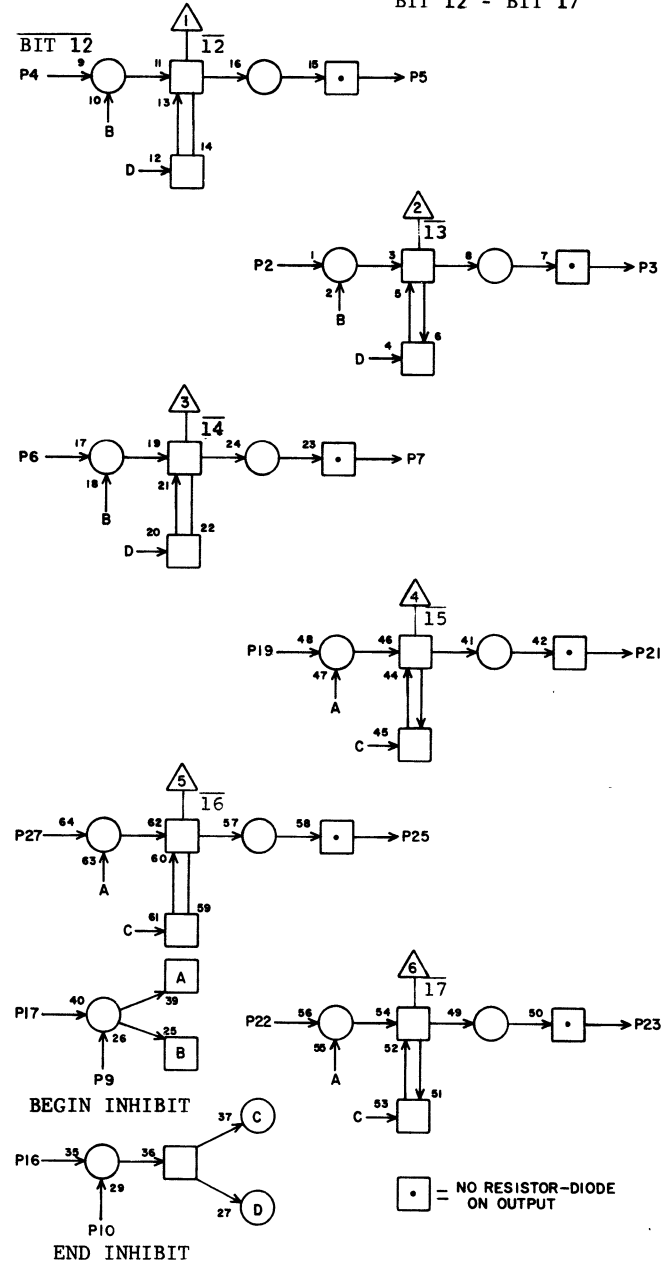
PS 4F9

1			
2	D10	19	7
3			
4	D10	21	7
5	H 8	25	13
6			
7			
8	D10	9	9
9			
10	D10	11	9
11	H 9	13	11
12			
13			
14			
15			
16	D16	10	13
17			
18	D16	12	13
19	H 9	9	11
20			
21			
22	D16	20	13
23			
24	D16	22	13
25	H 9	25	11
26	F 8	28	3
27	F18	16	11
28	F26	26	19

JACK PIN LG

63019200 Rev. C

BANK 05 RESTORE
BIT 12 - BIT 17



• = NO RESISTOR-DIODE ON OUTPUT

END INHIBIT

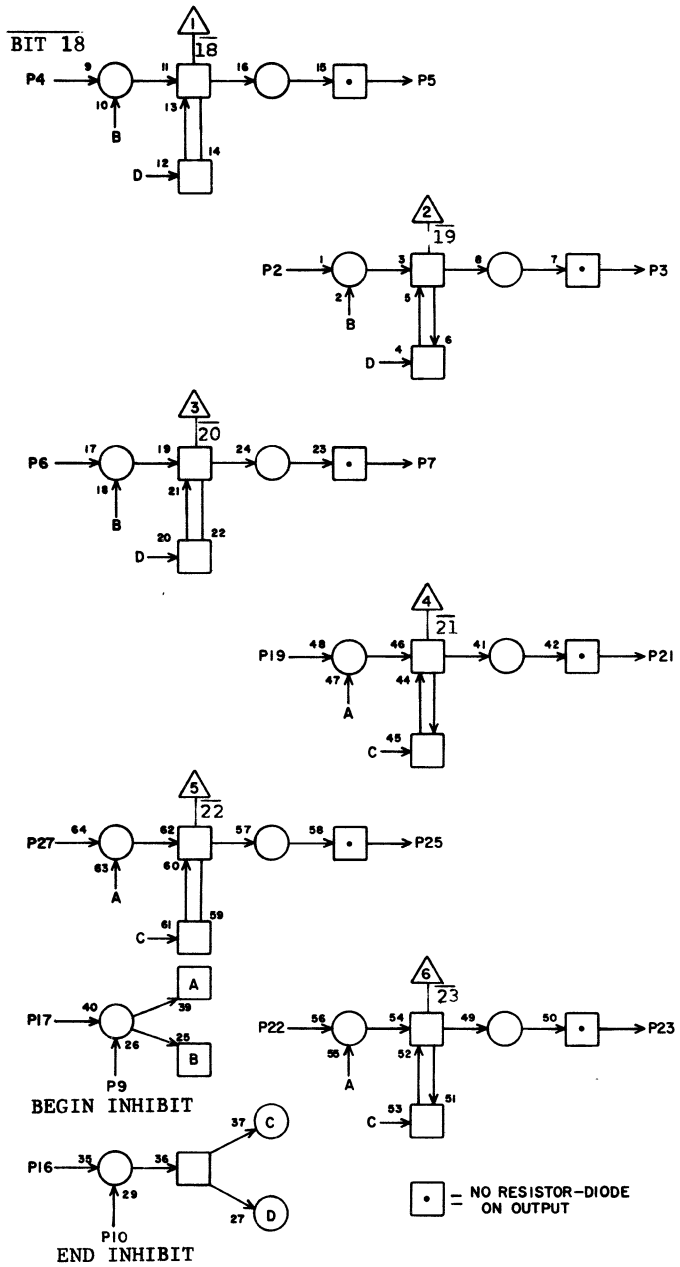
SPECIAL MODULE PZ 4 F10

1			
2	G28	8	21
3	D16	5	13
4	G28	4	21
5	D16	29	11
6	G28	25	21
7	D10	6	9
8			
9	F20	10	11
10	F20	20	11
11			
12			
13			
14			
15			
16	F21	21	13
17	F21	4	13
18			
19	G28	22	21
20			
21	D10	26	9
22	G29	8	21
23	D16	1	13
24			
25	D16	27	11
26			
27	G29	4	21
28			

JACK PIN LG

63019200 Rev. C

BANK 05 RESTORE



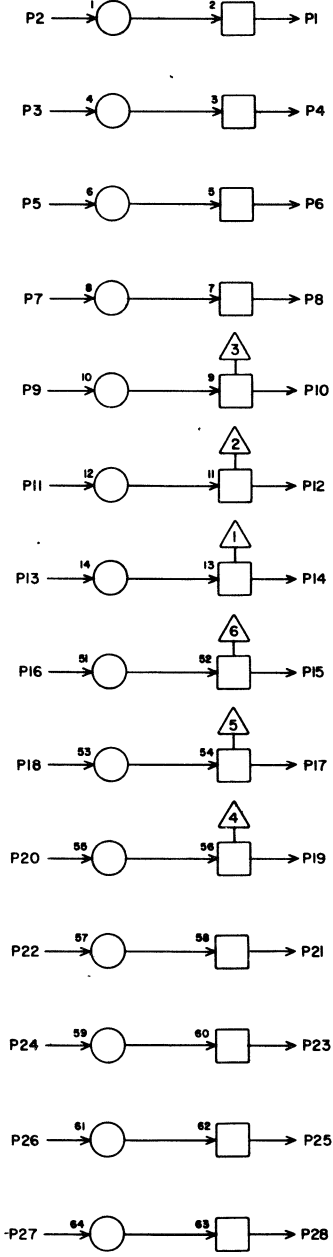
SPECIAL MODULE PZ 4F11

1			
2	G29	22	21
3	D10	4	9
4	G29	25	21
5	D10	28	7
6	G30	4	21
7	D16	3	11
8			
9	F20	12	11
10	F20	22	11
11			
12			
13			
14			
15			
16	F21	22	13
17	F21	6	13
18			
19	G30	8	21
20			
21	D16	25	11
22	G30	22	21
23	D10	2	11
24			
25	D10	30	9
26			
27	G30	25	21
28			

JACK PIN LG

LS 63068400
ASSY

B
REV



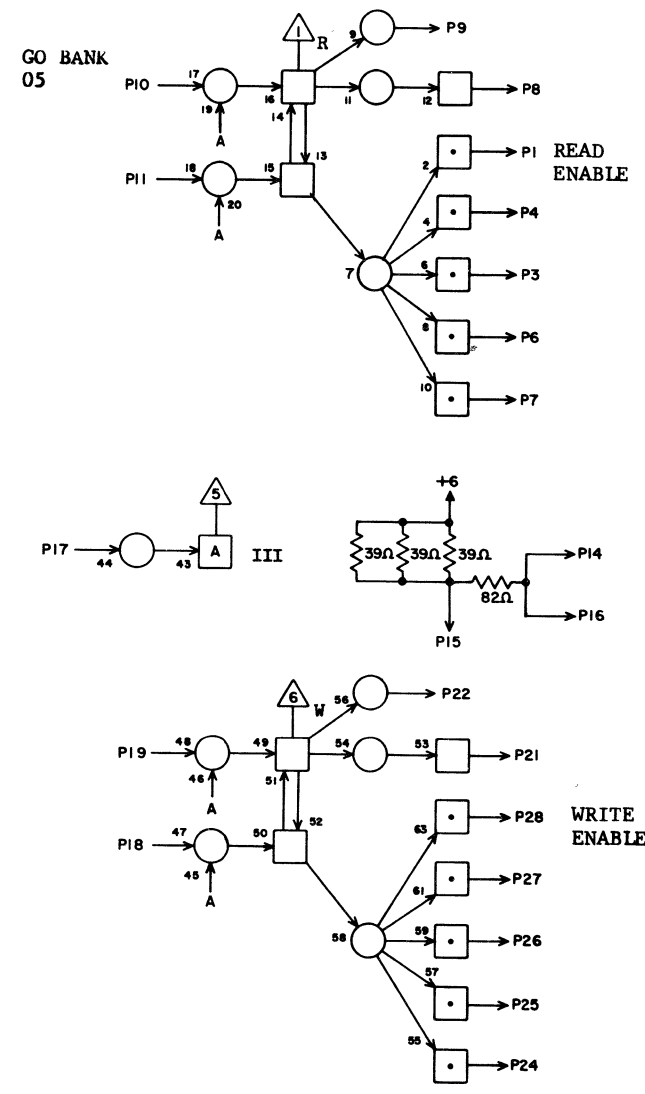
GI

4F13

1			
2			
3	C14	8	39
4	C15	14	39
5	C17	7	108
6	C14	19	180
7			
8			
9	F14	8	39
10	F15	14	39
11	F17	7	108
12	F14	19	180
13			
14			
15	M15	14	39
16	M14	8	39
17	M14	19	39
18	M17	7	108
19			
20			
21	P15	14	39
22	P14	8	39
23	P14	19	180
24	P17	7	108
25	G17	16	53
26	G10	7	108
27			
28			

JACK PIN LG
CIRCUIT SPECIFICATION I1027600
63019200 Rev. W

**BANK 05
STORAGE SEQUENCE CONTROL**



□ = NO RESISTOR-DIODE
ON OUTPUT

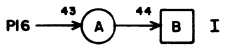
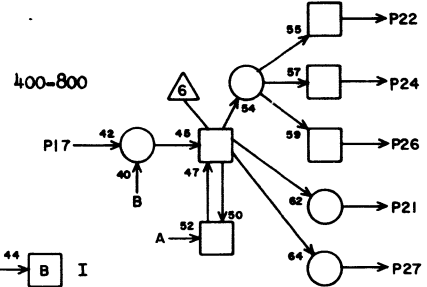
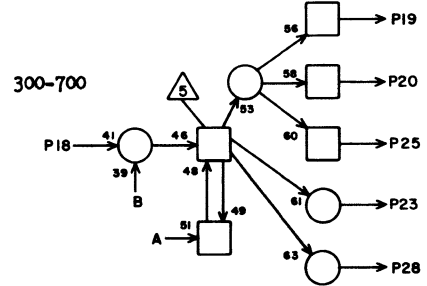
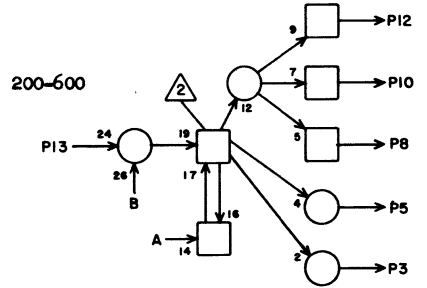
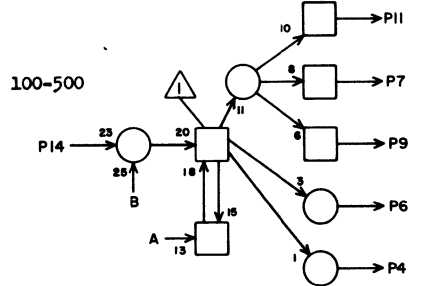
SPECIAL MODULE PU **4F14**

1	D 8	23	29
2			
3	D16	23	29
4	D25	23	29
5			
6	D33	23	29
7	D42	23	29
8	F13	9	39
9	G 7	2	11
10	G05	24	39
11	F16	26	120
12			
13			
14	C14	16	13
15	F 1	26	15
16	M14	14	27
17	Gnd	x	2
18	F17	6	7
19	F13	12	180
20			
21	F17	13	7
22	G 7	4	11
23			
24	D 8	21	11
25	D16	21	11
26	D25	21	15
27	D33	21	21
28	D42	21	29

JACK PIN LG

63019200 Rev. W

BANK 05
STORAGE SEQUENCE CONTROL

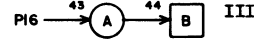
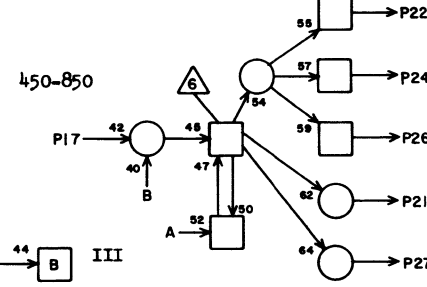
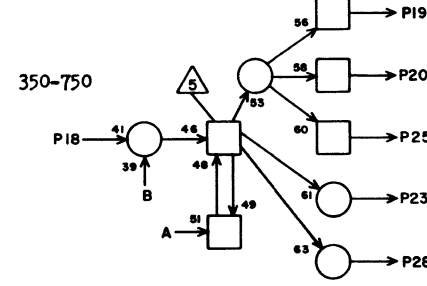
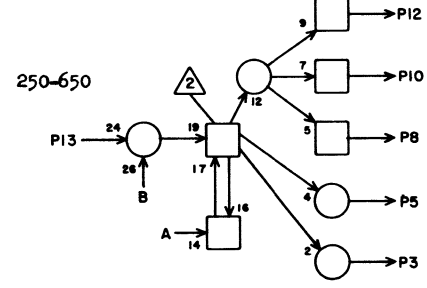
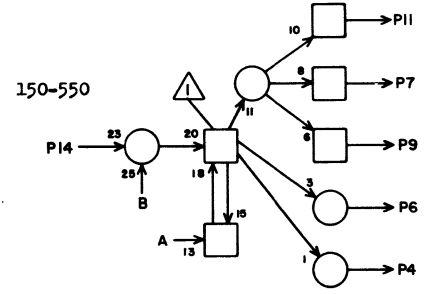


PD 4F15

1			
2			
3			
4			
5			
6			
7			
8	F16	13	5
9			
10	1	1	
11	F16	14	3
12			
13	F16	7	3
14	F13	10	30
15			
16	G22	19	11
17	F16	20	3
18	F16	8	3
19			
20	F16	18	3
21			
22	F16	17	3
23			
24			130
25			
26			
27			
28	1		

JACK PIN LG
63019200 Rev. P

BANK 05
STORAGE SEQUENCE CONTROL

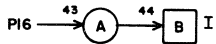
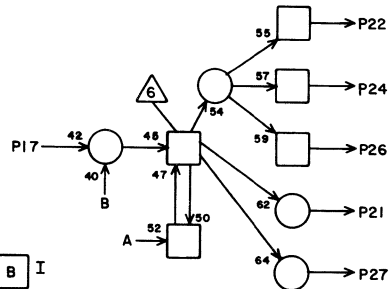
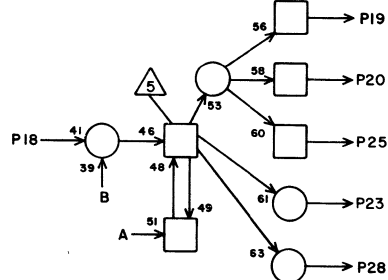
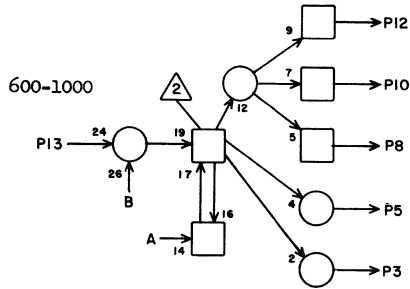
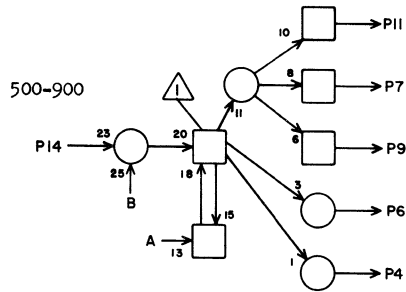


PD 4F16

1			
2			
3			
4			
5			
6			
7	F15	13	3
8	F15	18	3
9	F19	3	7
10	F18	1	7
11			
12			
13	F15	8	3
14	F15	11	3
15			
16	F21	18	7
17	F15	22	3
18	F15	20	3
19			
20	F15	17	3
21	F19	2	7
22	F17	14	3
23	G 7	6	13
24	F19	1	7
25			
26	F14	11	120
27			
28	F18	3	7

JACK PIN LG
63019200 Rev. P

BANK 05
STORAGE SEQUENCE CONTROL



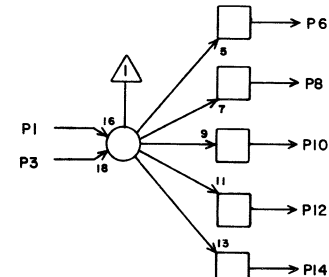
PD 4 F17

1			
2			
3			
4			
5			
6	F14	18	7
7	F13	11	108
8			
9			
10			
11			
12			
13	F14	21	7
14	F16	22	5
15			
16	G22	20	9
17			
18			
19			
20			
21			
22			
23			
24			
25			
26			
27			
28			

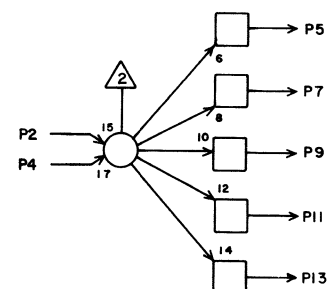
JACK PIN LG

63019200 Rev. L

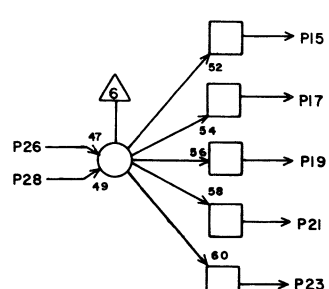
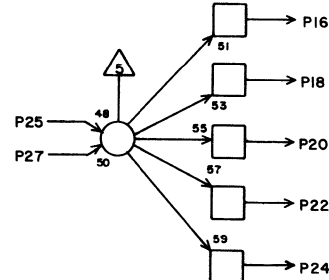
BANK 05
STORAGE SEQUENCE CONTROL



BANK 05 TO
BANK MERGE



BANK 05 SENSE



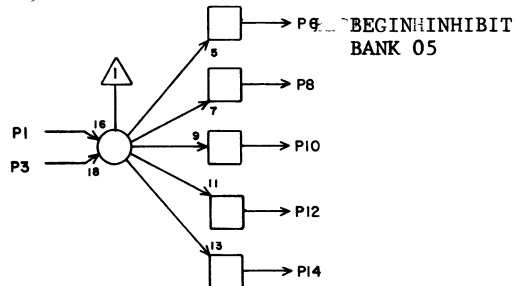
TD 4 F18

1	F16	10	7
2	F18	6	3
3	F16	28	7
4	F18	X	2
5	F 1	27	19
6	F18	2	3
7	F 2	27	17
8	F18	25	5
9	F 3	27	7
10	F18	26	5
11	F 7	27	13
12	G17	9	7
13	F 8	27	13
14			
15	F33	27	17
16	F 9	27	11
17	F34	27	17
18	F26	27	11
19	F38	27	21
20	F27	27	13
21	F39	27	23
22	F28	27	13
23	F40	27	23
24	F32	27	17
25	F18	8	5
26	F18	10	5
27	F18	X	2
28	F18	X	2

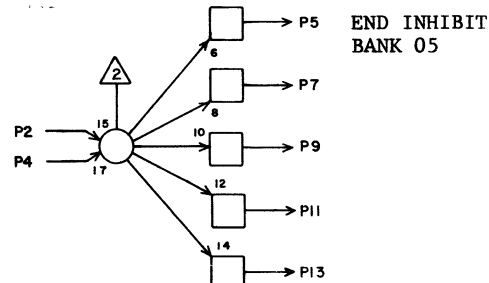
JACK PIN LG

63019200 Rev. L

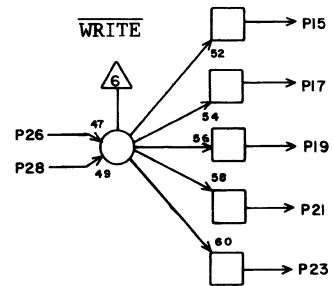
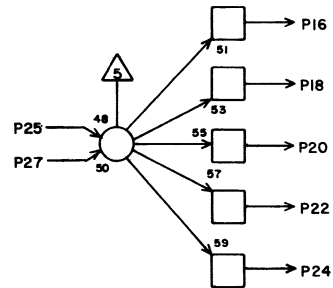
BANK 05
STORAGE SEQUENCE CONTROL



BEGIN INHIBIT
BANK 05



END INHIBIT
BANK 05



WRITE

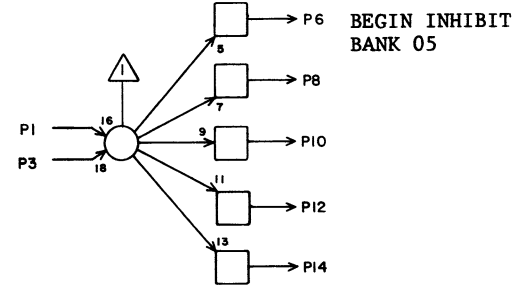
T D 4 F19

1	F16	24	7
2	F16	21	7
3	F16	9	7
4	F19	X	2
5	F20	25	5
6	F20	3	5
7	F20	26	5
8	F20	2	5
9			
10			
11			
12			
13			
14			
15	G 9	1	15
16			
17	G 9	2	15
18			
19	G 9	27	15
20			
21	G 9	28	15
22			
23			
24			
25			
26	F19	X	2
27			
28	G 4	22	17

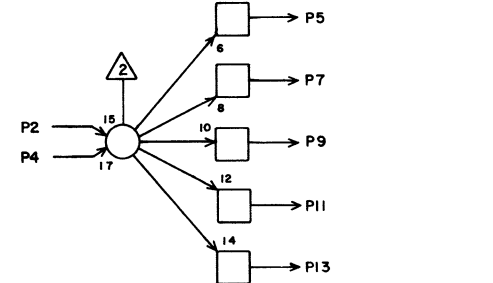
JACK PIN LG

63019200 Rev. C

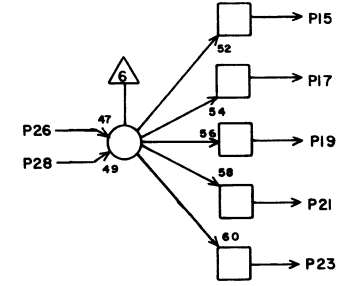
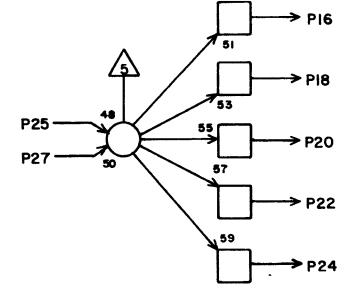
BANK 05
STORAGE SEQUENCE CONTROL



BEGIN INHIBIT
BANK 05



END INHIBIT
BANK 05

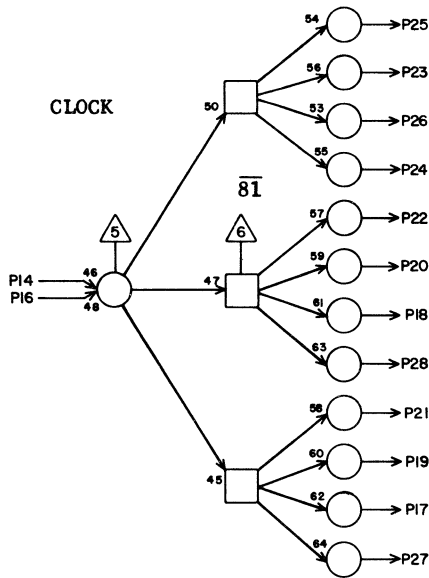
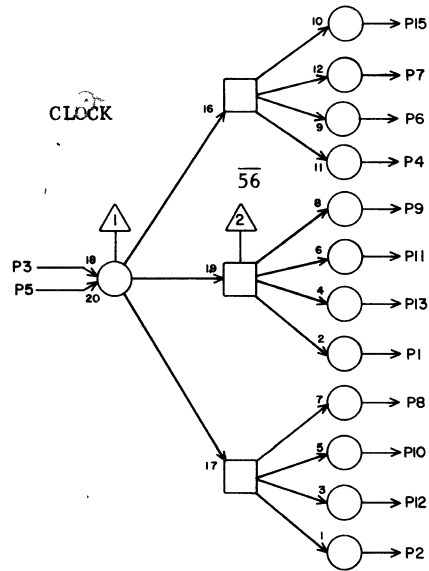


T D 4 F20

1	F20	X	2
2	F19	8	5
3	F19	6	5
4	F20	X	2
5	F30	9	13
6	F 4	9	17
7	F35	9	17
8	F 5	9	17
9	F36	9	17
10	F10	9	11
11	F41	9	23
12	F11	9	11
13	F42	9	23
14	F29	9	13
15	F30	10	13
16	F 4	10	17
17	F35	10	17
18	F 5	10	17
19	F36	10	17
20	F10	10	11
21	F41	10	23
22	F11	10	11
23	F42	10	23
24	F29	10	13
25	F19	5	3
26	F19	7	3
27	F20	X	2
28	F20	X	2

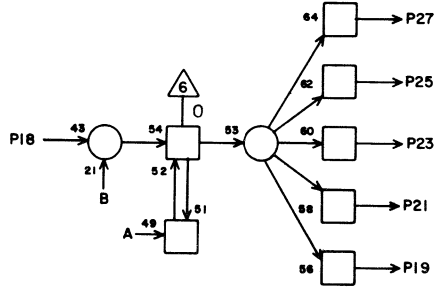
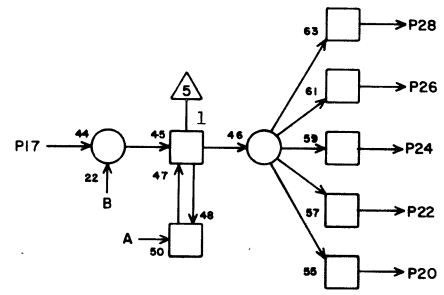
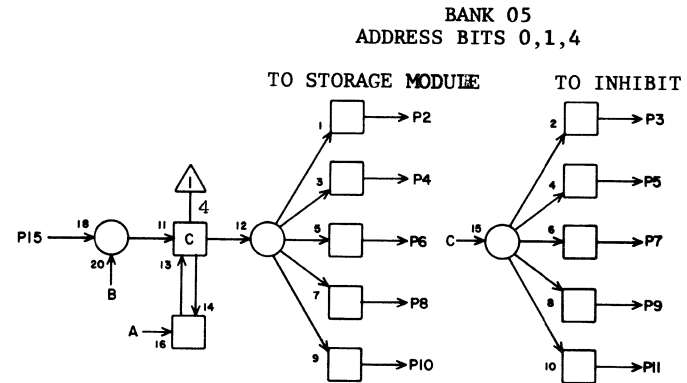
JACK PIN LG

63019200 Rev. C



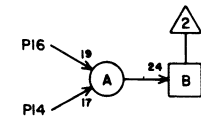
TC		4F21	
1	F 4	17	19
2	F 5	17	17
3	G10	28	37
4	F10	17	13
5	F21	X	2
6	F11	17	13
7	F29	17	11
8	F30	17	13
9	F35	17	17
10	F36	17	17
11	F41	17	21
12	F42	17	23
13			
14	G10	19	39
15	G 5	23	108
16	F21	X	2
17			
18	F16	16	7
19	F 4	16	19
20	F 5	16	17
21	F10	16	13
22	F11	16	13
23	F29	16	11
24	F30	16	13
25	F35	16	15
26	F36	16	17
27	F41	16	21
28	F42	16	23
	JACK	PIN	LG

63019200 Rev. W



05 FREE

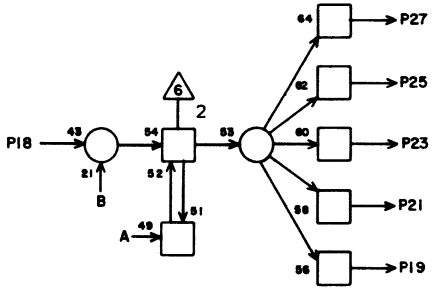
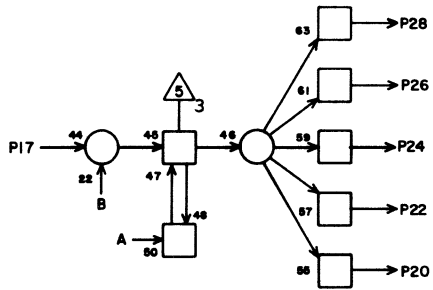
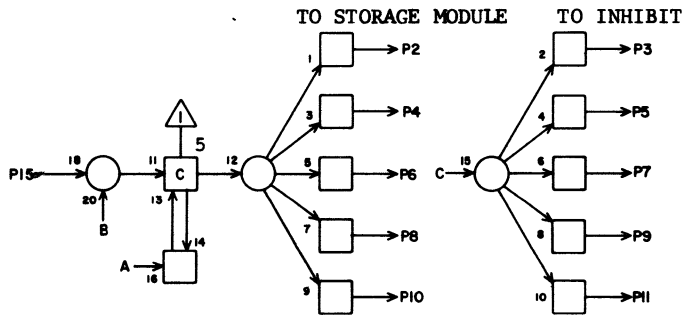
CLOCK



SA		4F22	
1			
2	D 8	7	17
3	D 8	15	17
4	D16	7	11
5	D16	15	11
6	D25	7	9
7	D25	15	9
8	D33	7	15
9	D33	15	15
10	D42	7	23
11	D42	15	21
12			
13			
14	G22	7	7
15	G 2	4	23
16	G19	5	7
17	G 1	8	23
18	G 1	4	21
19	D 1	22	23
20	D 1	20	23
21	D10	22	17
22	D10	20	17
23	D18	22	11
24	D18	20	11
25	D26	22	11
26	D26	20	11
27	D35	22	17
28	D35	20	17
	JACK	PIN	LG

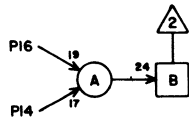
63019200 Rev. G

BANK 05
ADDRESS BITS 2,3,5



05 FREE

CLOCK



SA

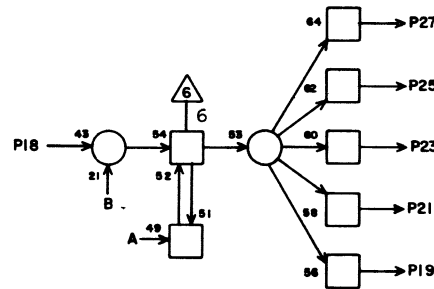
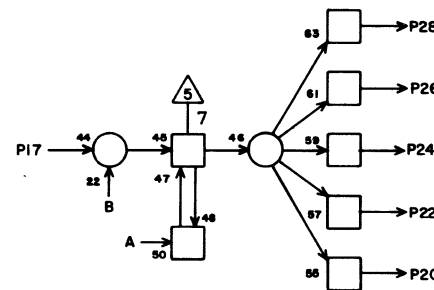
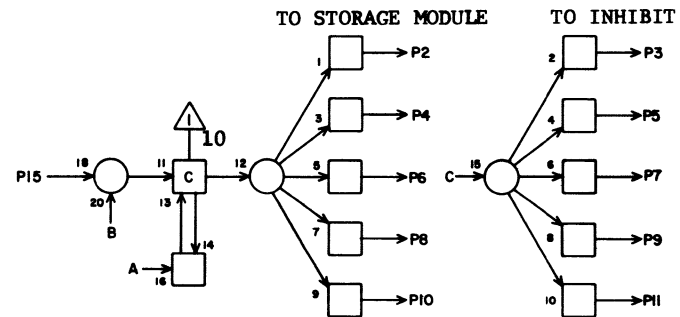
4F23

1			
2	D 8	9	17
3	D 8	17	17
4	D16	9	11
5	D16	17	11
6	D25	9	9
7	D25	17	9
8	D33	9	15
9	D33	17	15
10	D42	9	21
11	D42	17	21
12			
13			
14	G22	8	7
15	G 2	8	23
16	G19	7	7
17	G 1	21	23
18	G 1	25	23
19	D 1	8	25
20	D 1	10	23
21	D10	8	17
22	D10	10	17
23	D18	8	13
24	D18	10	13
25	D26	8	11
26	D26	10	11
27	D35	8	17
28	D35	10	17

JACK PIN LG

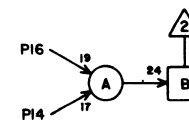
63019200 Rev. E

BANK 05
ADDRESS BITS 6,7,10



05 FREE

CLOCK



SA

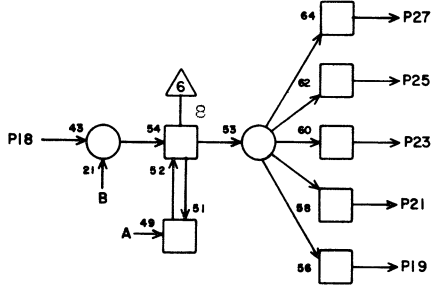
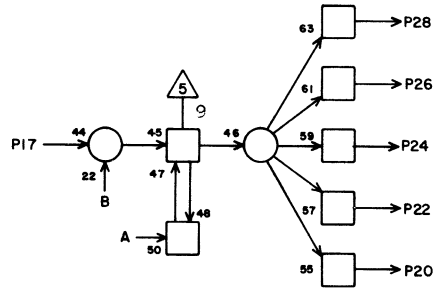
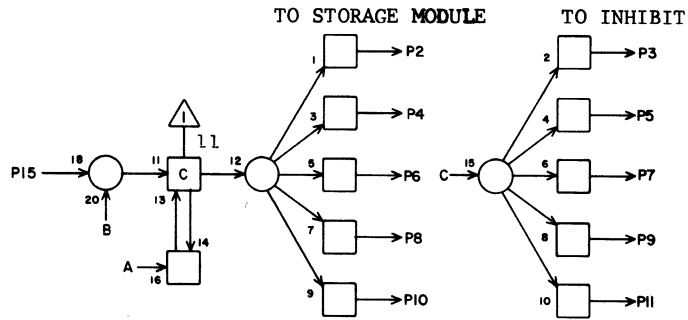
4F24

1			
2	D 1	18	23
3	D 8	19	17
4	D10	18	17
5	D16	19	13
6	D18	18	11
7	D25	19	9
8	D26	18	9
9	D33	19	13
10	D35	18	15
11	D42	19	19
12			
13			
14	G22	9	9
15	G 3	25	23
16	G19	9	9
17	G 2	21	23
18	G 2	25	23
19	D 8	13	19
20	D 8	11	19
21	D16	13	13
22	D16	11	13
23	D25	13	11
24	D25	11	11
25	D33	13	15
26	D33	11	15
27	D42	13	21
28	D42	11	21

JACK PIN LG

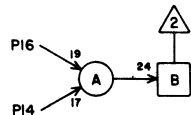
63019200 Rev. C

BANK 05
ADDRESS BITS 8,9,11



05 FREE

CLOCK

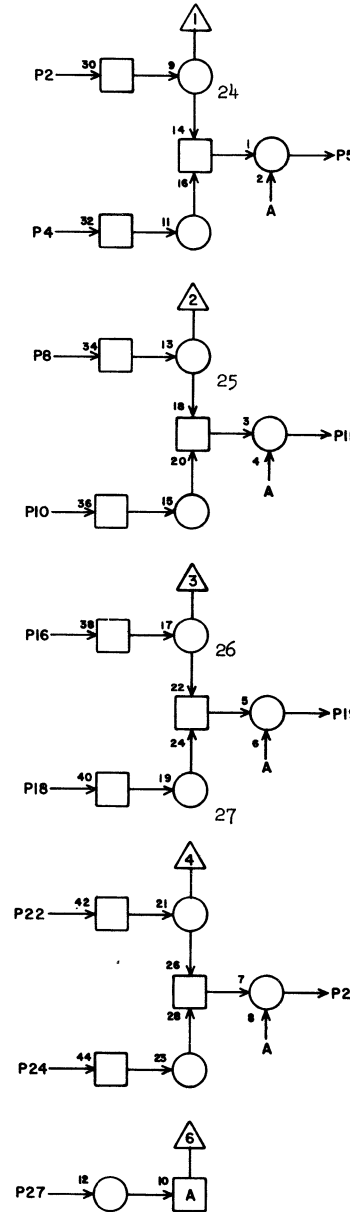


SA 4 F25

JACK	PIN	LG
1		
2	D 1	16 25
3	D 1	24 25
4	D10	16 17
5	D10	24 19
6	D18	16 11
7	D18	24 11
8	D26	16 9
9	D26	24 7
10	D35	16 15
11	D35	24 13
12		
13		
14	G22	10 9
15	G 3	21 23
16	G19	11 9
17	G 3	8 23
18	G 3	4 23
19	D 1	12 25
20	D 1	14 25
21	D10	12 19
22	D10	14 19
23	D18	17 13
24	D18	14 13
25	D26	12 11
26	D26	14 11
27	D35	12 15
28	D35	14 15

63019200 Rev. C

BANK 05 SENSE



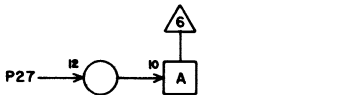
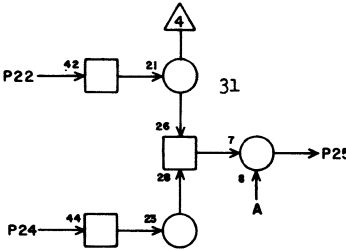
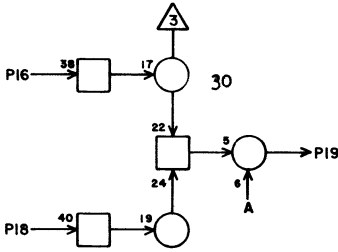
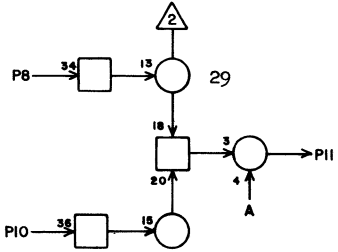
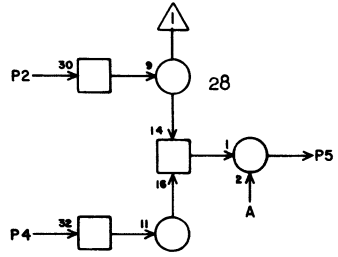
SENSE

PS 4 F26

JACK	PIN	LG
1		
2	D18	1 13
3		
4	D18	3 13
5	H11	13 19
6		
7		
8	D18	27 13
9		
10	D18	29 13
11	H11	9 19
12		
13		
14		
15		
16	D25	28 11
17		
18	D25	30 11
19	H11	25 19
20		
21		
22	D25	2 11
23		
24	D25	4 11
25	H12	13 17
26	F 9	28 19
27	F18	18 11
28	F27	26 3

63019200 Rev. C

BANK 05 SENSE



SENSE

PS

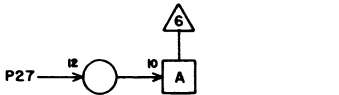
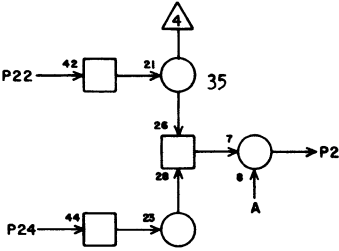
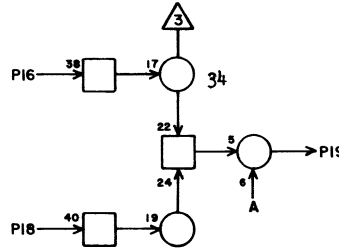
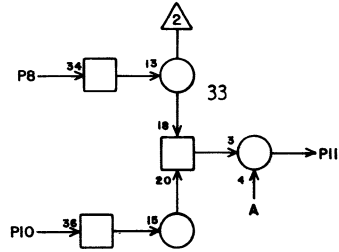
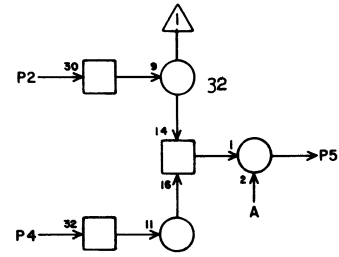
4 F27

1			
2	D18	5	13
3			
4	D18	7	13
5	H12	9	19
6			
7			
8	D18	23	13
9			
10	D18	25	13
11	H12	25	19
12			
13			
14			
15			
16	D25	6	11
17			
18	D25	8	11
19	H13	13	17
20			
21			
22	D25	24	9
23			
24	D25	26	9
25	H13	9	17
26	F26	28	3
27	F18	20	13
28	F28	26	3

JACK PIN LG

63019200 Rev. C

BANK 05 SENSE



SENSE

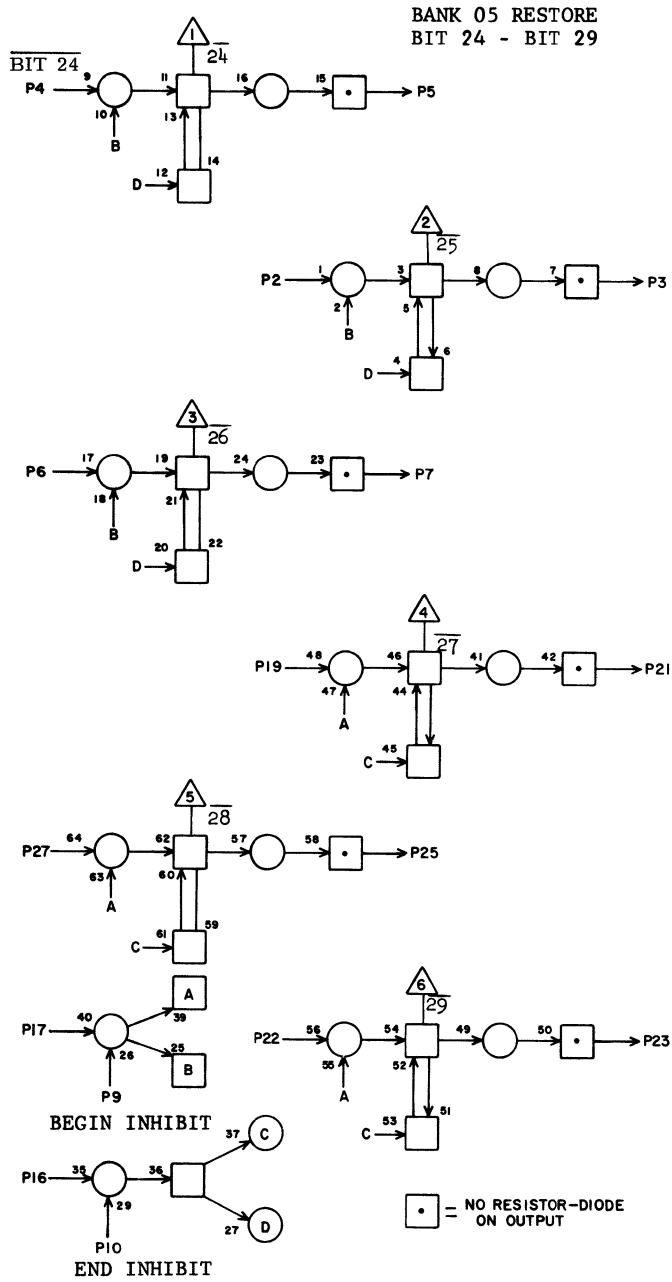
PS

4 F28

1			
2	D18	19	13
3			
4	D18	21	13
5	H13	25	19
6			
7			
8	D18	9	15
9			
10	D18	11	15
11	H14	13	17
12			
13			
14			
15			
16	D25	10	11
17			
18	D25	12	11
19	H14	9	17
20			
21			
22	D25	20	11
23			
24	D25	22	11
25	H14	25	17
26	F27	28	3
27	F18	22	13
28	F32	26	7

JACK PIN LG

63019200 Rev. C

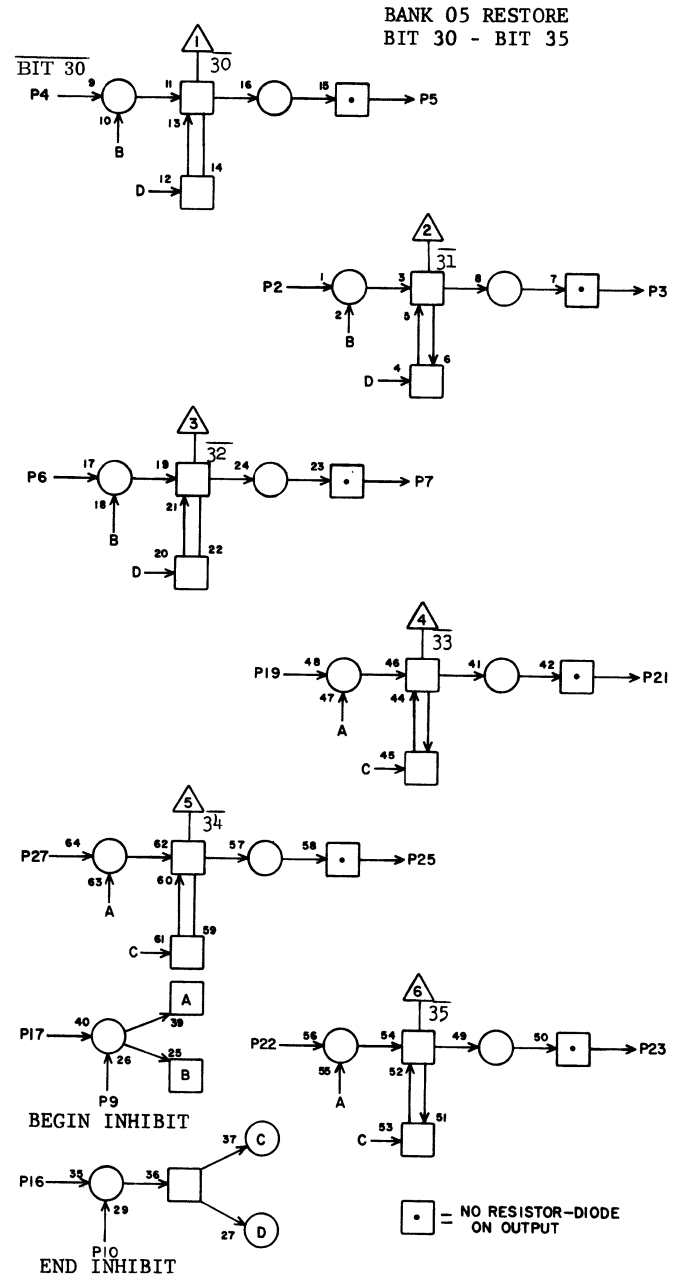


**SPECIAL
MODULE PZ 4 F29**

1			
2	G32	8	9
3	D25	5	11
4	G32	4	9
5	D25	29	9
6	G32	25	11
7	D18	6	15
8			
9	F20	14	13
10	F20	24	13
11			
12			
13			
14			
15			
16	F21	23	11
17	F21	7	11
18			
19	G32	22	9
20			
21	D18	26	15
22	G33	8	7
23	D25	1	13
24			
25	D25	27	11
26			
27	G33	4	7
28			

JACK PIN LG

63019200 Rev. C



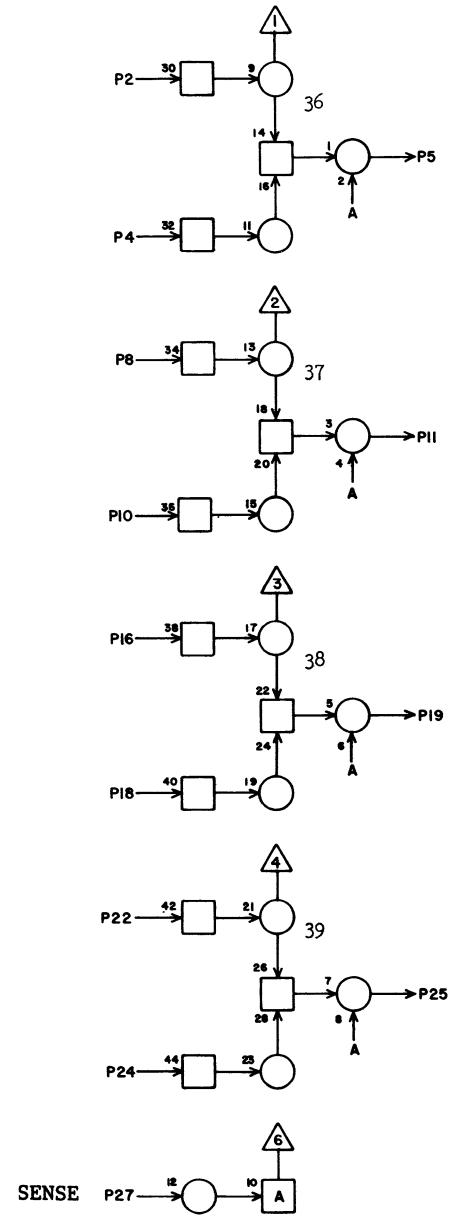
**SPECIAL
MODULE PZ 4 F30**

1			
2	G33	22	11
3	D18	4	17
4	G33	25	11
5	D18	28	15
6	G34	4	9
7	D25	3	11
8			
9	F20	5	13
10	F20	15	13
11			
12			
13			
14			
15			
16	F21	24	13
17	F21	8	13
18			
19	G34	8	7
20			
21	D25	25	11
22	G34	22	9
23	D18	2	17
24			
25	D18	30	15
26			
27	G34	25	9
28			

JACK PIN LG

63019200 Rev. C

BANK 05 SENSE

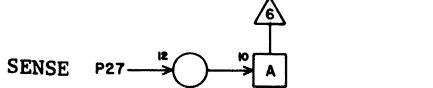
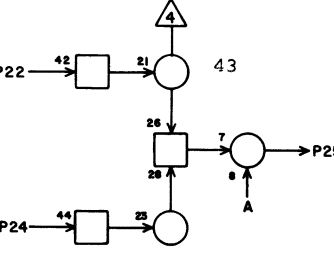
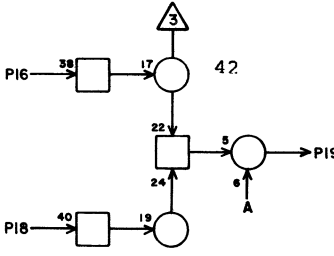
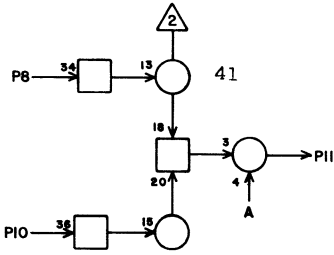
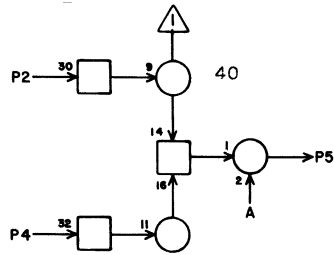


PS 4F32

1			
2	D26	1	11
3			
4	D26	3	11
5	H16	13	19
6			
7			
8	D26	27	9
9			
10	D26	29	9
11	H16	9	19
12			
13			
14			
15			
16	D33	28	9
17			
18	D33	30	9
19	H16	25	19
20			
21			
22	D33	2	11
23			
24	D33	4	11
25	H17	13	19
26	F28	28	7
27	F18	24	17
28	F33	26	3

JACK PIN LG

BANK 05 SENSE



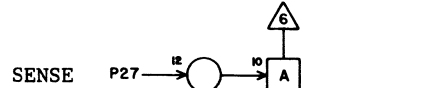
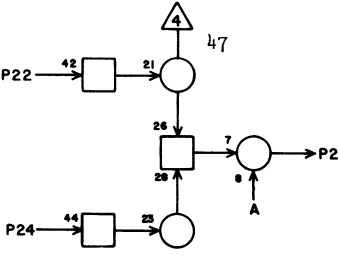
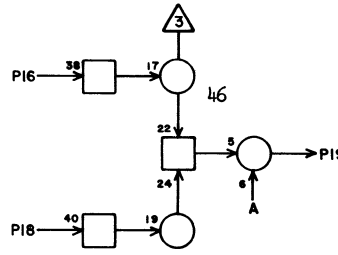
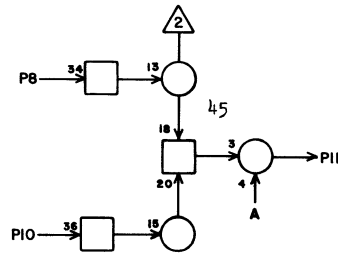
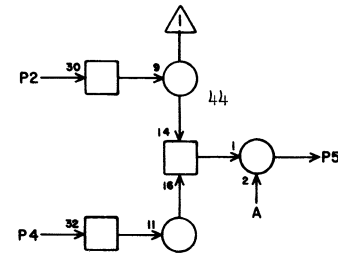
PS 4 F33

1			
2	D26	5	11
3			
4	D26	7	11
5	H17	9	19
6			
7			
8	D26	23	11
9			
10	D26	25	11
11	H17	25	21
12			
13			
14			
15			
16	D33	6	11
17			
18	D33	8	11
19	H18	13	19
20			
21			
22	D33	24	9
23			
24	D33	26	9
25	H18	9	19
26	F32	28	3
27	F18	15	17
28	F34	26	3

JACK PIN LG

63019200 Rev. C

BANK 05 SENSE



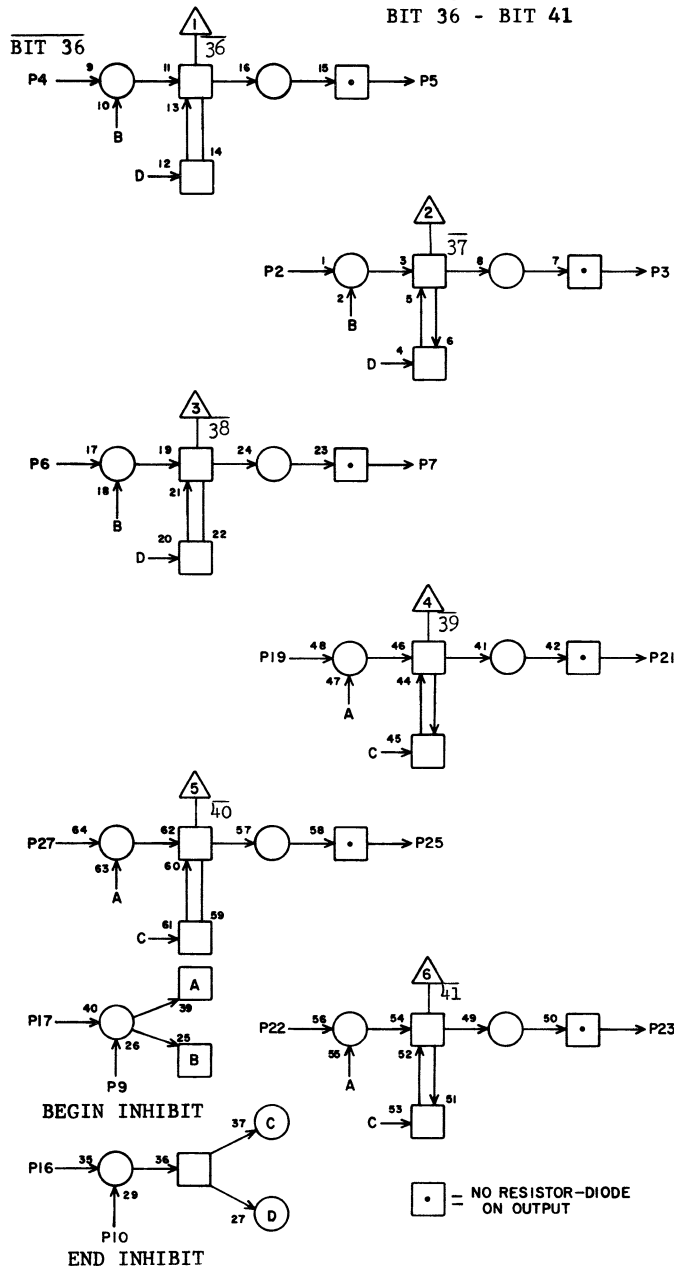
PS 4 F34

1			
2	D26	19	11
3			
4	D26	21	11
5	H18	25	21
6			
7			
8	D26	9	13
9			
10	D26	11	13
11	H19	13	19
12			
13			
14			
15			
16	D33	10	9
17			
18	D33	12	9
19	H19	9	19
20			
21			
22	D33	20	9
23			
24	D33	22	9
25	H19	25	19
26	F33	28	3
27	F18	17	17
28	F38	26	7

JACK PIN LG

63019200 Rev. C

BANK 05 RESTORE
BIT 36 - BIT 41

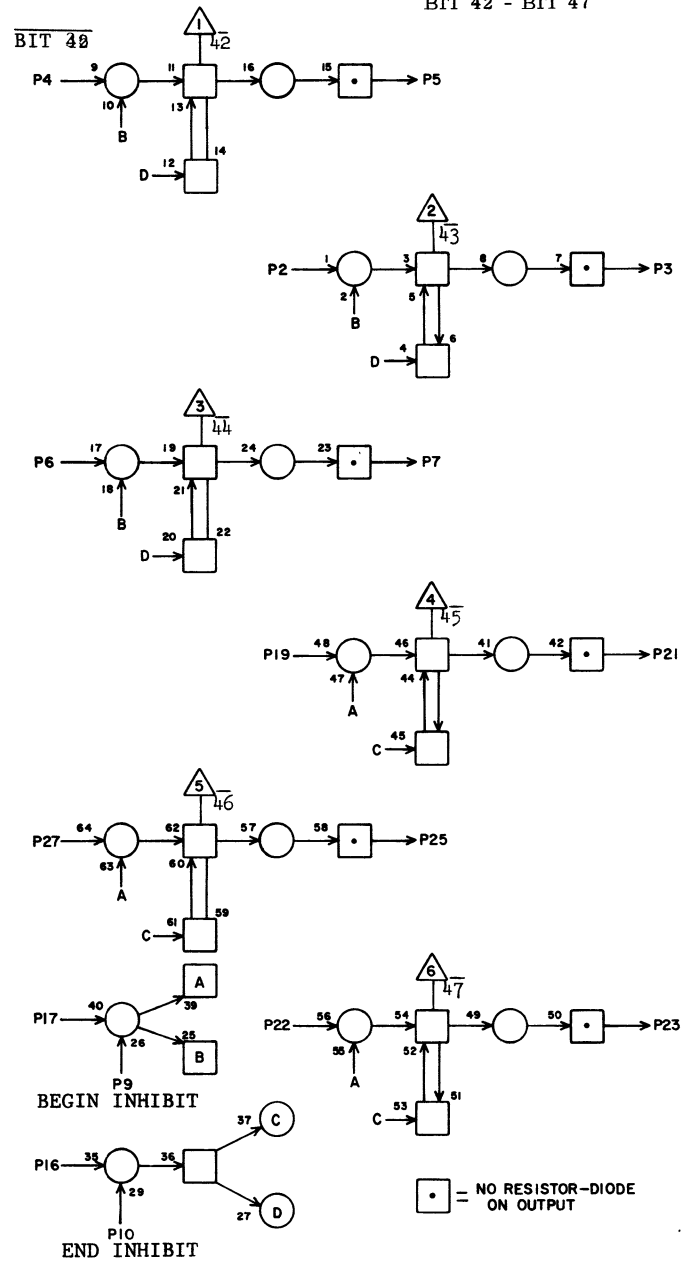


SPECIAL MODULE P2 4F35

1			
2	G36	8	7
3	D33	5	9
4	G36	4	7
5	D33	29	7
6	G36	25	11
7	D26	6	13
8			
9	F20	7	17
10	F20	17	17
11			
12			
13			
14			
15			
16	F21	25	15
17	F21	9	17
18			
19	G36	22	9
20			
21	D26	26	13
22	G37	8	7
23	D33	1	11
24			
25	D33	27	9
26			
27	G37	4	7
28			

63019200 Rev. C

BANK 05 RESTORE
BIT 42 - BIT 47

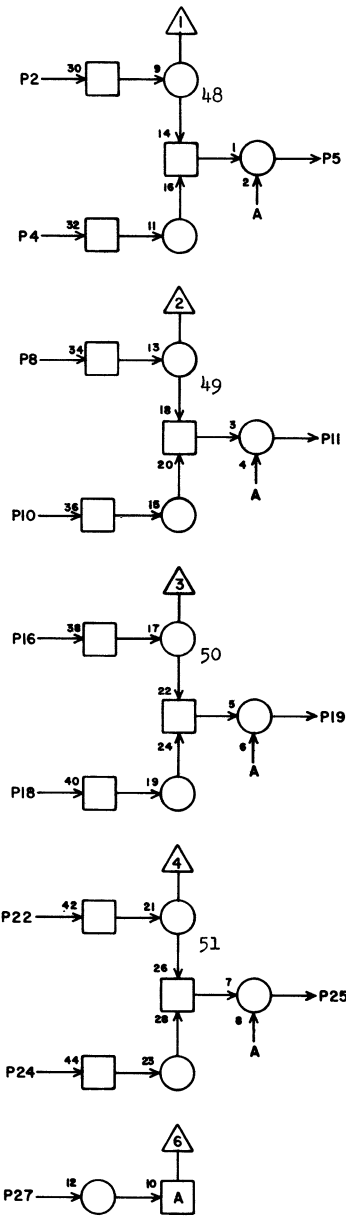


SPECIAL MODULE P2 4F36

1			
2	G37	22	11
3	D26	4	13
4	G37	25	11
5	D26	28	13
6	G38	4	7
7	D33	3	11
8			
9	F20	9	17
10	F20	19	17
11			
12			
13			
14			
15			
16	F21	26	17
17	F21	10	17
18			
19	G38	8	7
20			
21	D33	25	9
22	G38	22	7
23	D26	2	15
24			
25	D26	30	15
26			
27	G38	25	7
28			

63019200 Rev. C

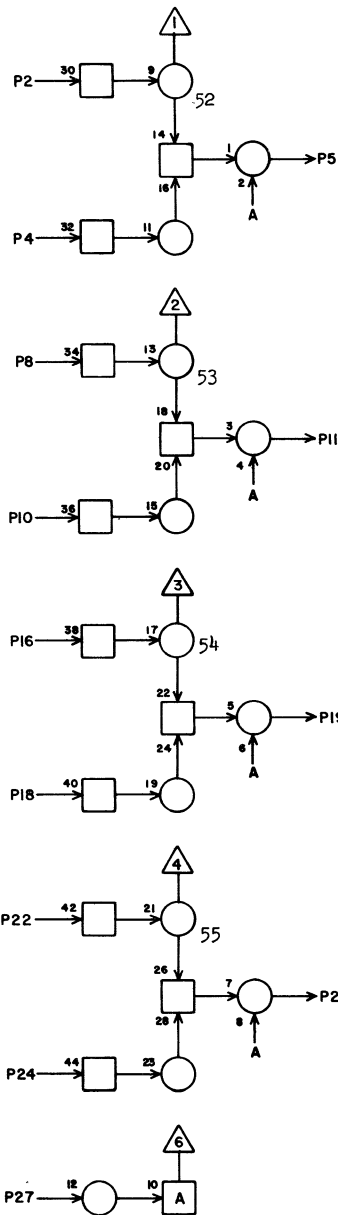
BANK 05 SENSE



SENSE

		4F38	
PS			
PS	JACK	PIN	LG
1			
2	D35	1	11
3			
4	D35	3	11
5	H21	13	21
6			
7			
8	D35	27	9
9			
10	D35	29	9
11	H21	9	21
12			
13			
14			
15			
16	D42	28	9
17			
18	D42	30	9
19	H21	25	21
20			
21			
22	D42	2	13
23			
24	D42	4	13
25	H22	13	19
26	F34	28	7
27	F18	19	21
28	F39	26	3

BANK 05 SENSE



SENSE

PS

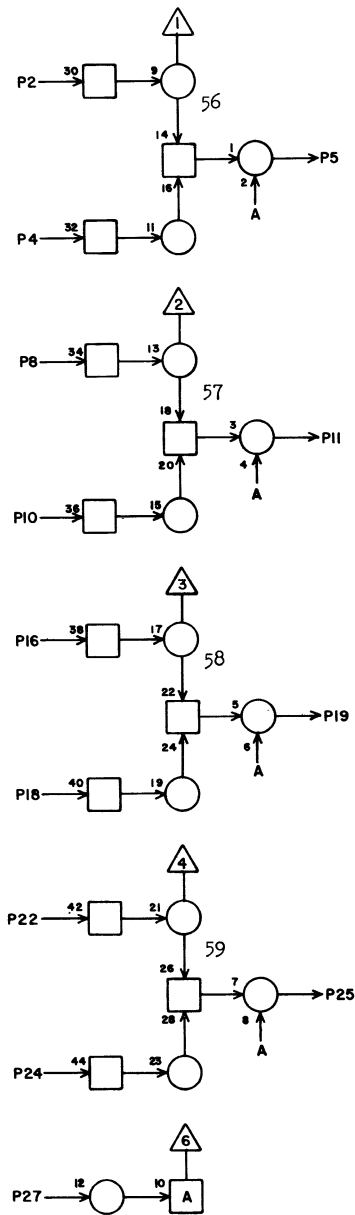
4 F39

1			
2	D35	5	11
3			
4	D35	7	11
5	H22	9	21
6			
7			
8	D35	23	9
9			
10	D35	25	9
11	H22	25	21
12			
13			
14			
15			
16	D42	6	11
17			
18	D42	8	11
19	H23	13	21
20			
21			
22	D42	24	9
23			
24	D42	26	9
25	H23	9	19
26	F38	28	3
27	F18	21	23
28	F40	26	3

JACK PIN LG

63019200 Rev. C

BANK 05 SENSE



SENSE

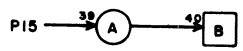
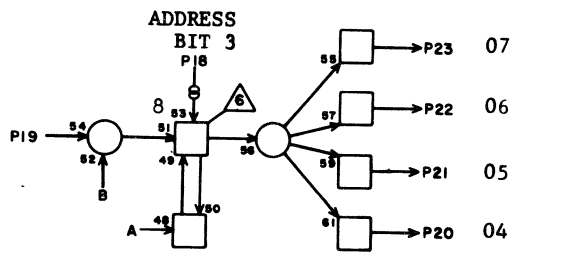
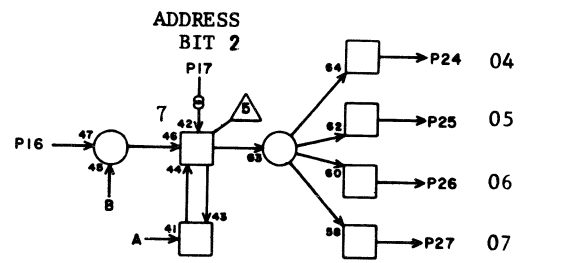
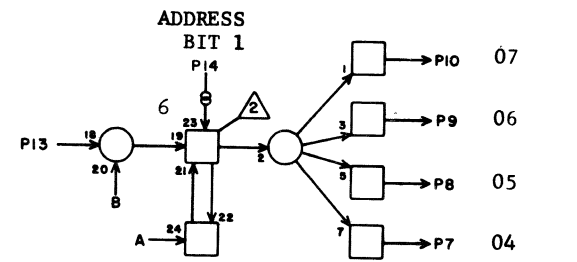
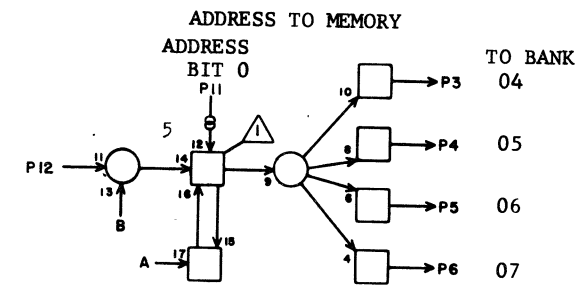
PS

4 F40

1			
2	D35	19	9
3			
4	D35	21	9
5	H23	25	23
6			
7			
8	D35	9	11
9			
10	D35	11	11
11	H24	13	21
12			
13			
14			
15			
16	D42	10	11
17			
18	D42	12	11
19	H24	9	19
20			
21			
22	D42	20	11
23			
24	D42	22	11
25	H24	25	21
26	F39	28	3
27	F18	23	23
28			

JACK PIN LG

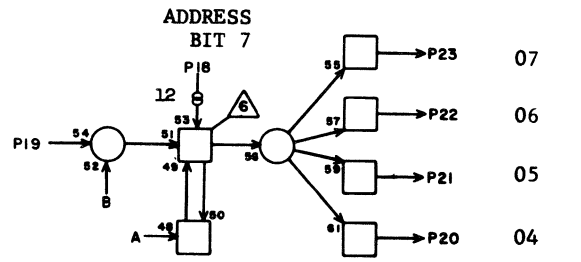
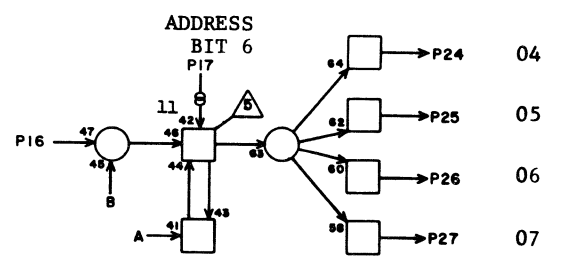
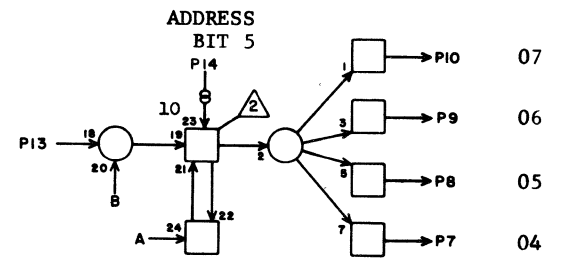
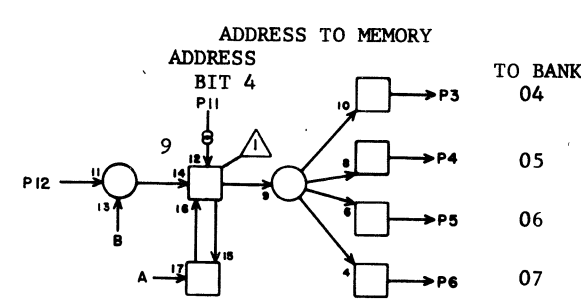
63019200 Rev. C



SB 4G1

JACK	PIN	LG
1		
2		
3	C22	18 27
4	F22	18 21
5	M22	18 33
6	P22	18 41
7	C22	17 27
8	F22	17 23
9	M22	17 33
10	P22	17 41
11	W20	906
12	G14	2 15
13	G14	6 15
14	W20	907
15	G14	19 15
16	G14	4 15
17	W20	908
18	W20	90
19	G14	1 15
20	C23	17 29
21	F23	17 23
22	M23	17 33
23	P23	17 41
24	C23	18 29
25	F23	18 23
26	M23	18 31
27	P23	18 41
28		

JACK PIN LG

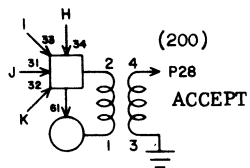
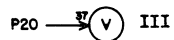
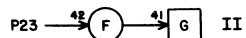
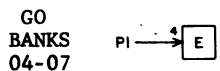
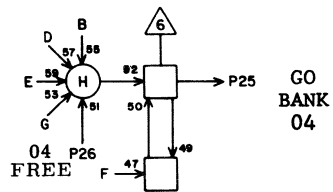
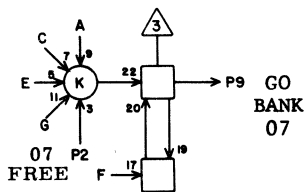
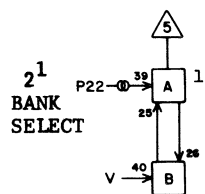
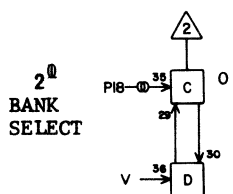
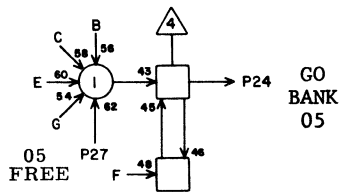
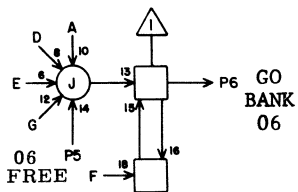


SB 4G2

JACK	PIN	LG
1		
2		
3	C22	15 25
4	F22	15 23
5	M22	15 33
6	P22	15 41
7	C23	15 27
8	F23	15 23
9	M23	15 33
10	P23	15 41
11	W20	91
12	G14	8 15
13	G14	10 15
14	W20	92
15	G14	20 15
16	G14	9 15
17	W20	93
18	W20	94
19	G14	7 15
20	C24	17 29
21	F24	17 23
22	M24	17 33
23	P24	17 41
24	C24	18 29
25	F24	18 23
26	M24	18 33
27	P24	18 41
28		

JACK PIN LG

BANK SELECT/GO BANK



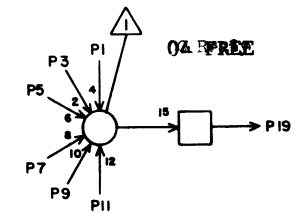
SC

405

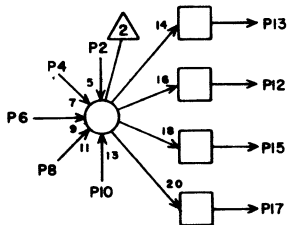
1	G 4	3	3
2	G19	23	17
3			
4			
5	G19	24	15
6	M14	10	39
7			
8			
9	P14	10	39
10			
11			
12			
13			
14			
15			
16			
17			
18	W20	901	
19			
20	G18	6	19
21			
22	W20	902	
23	F21	15	108
24	F14	10	39
25	C14	10	39
26	G19	6	17
27	G19	13	17
28	W06	98	

JACK PIN LG

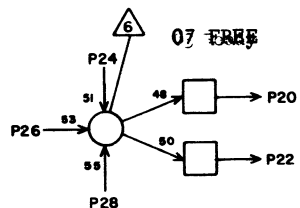
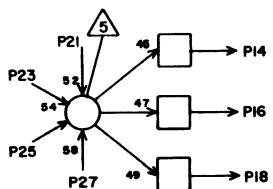
STORAGE SEQUENCE CONTROL



05 FREE



06 FREE



TB 4G07			
JACK	PIN	LG	
1	C14	22	19
2	F14	9	11
3	C14	9	19
4	F14	22	11
5	C16	23	19
6	F16	23	13
7	G 7	X	2
8	G 7	X	2
9	G 7	X	2
10	G 7	X	2
11	G 7	X	2
12			
13	G19	2	15
14	G19	27	15
15			
16			
17			
18			
19	G19	1	15
20	G19	28	15
21	M14	9	25
22			
23	M14	22	27
24	F14	9	35
25	M16	23	29
26	F14	22	37
27	G 7	X	2
28	F16	23	37

JACK PIN LG

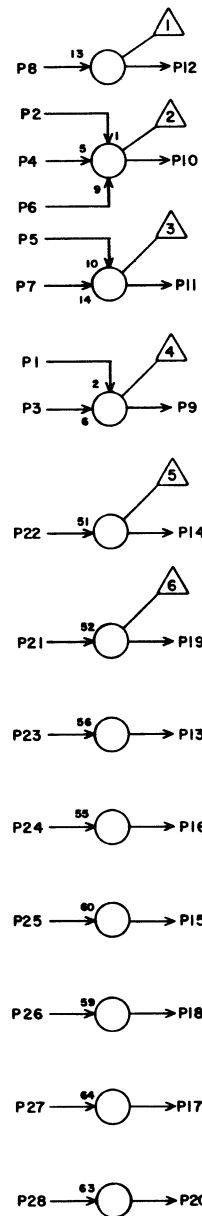
63019200 Rev. C

LS 63064400
ASSY

C
REV

TL

G08

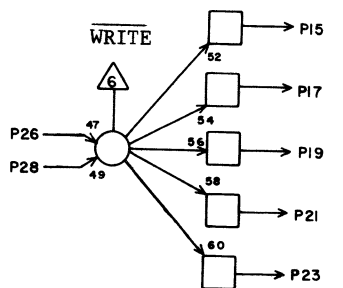
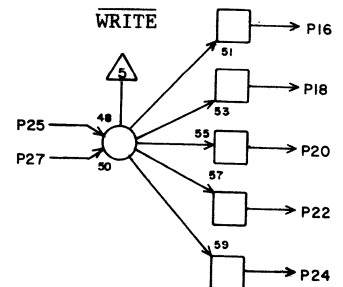
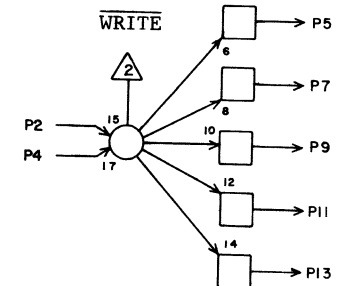
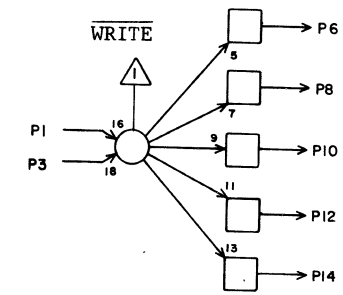


	JACK	PIN	LG
1	G08	X	2
2	G08	X	2
3	G08	16	3
4	G08	13	3
5	I19	8	72
6	G08	X	2
7	G08	19	3
8			
9	H05	14	0
10	H15	14	11
11	H05	3	84
12			
13	G08	4	3
14	H10	7	9
15			
16	G08	3	3
17	H10	1	7
18			
19	G08	7	3
20	H10	2	9
21	G10	10	5
22	G10	21	5
23	G11	25	7
24	G11	26	7
25			
26			
27	G11	19	7
28	G11	27	7

JACK PIN LG

CIRCUIT SPECIFICATION 11827600

63019200 Rev. V

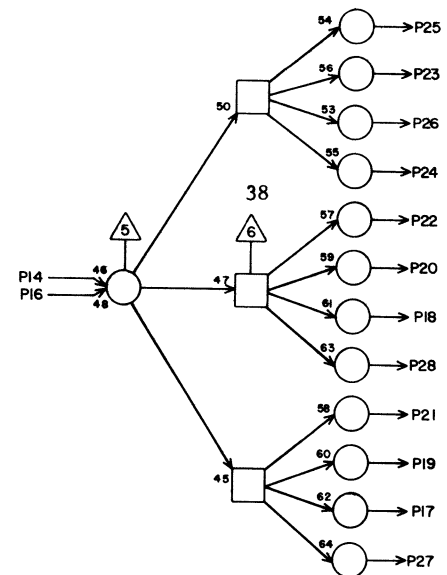
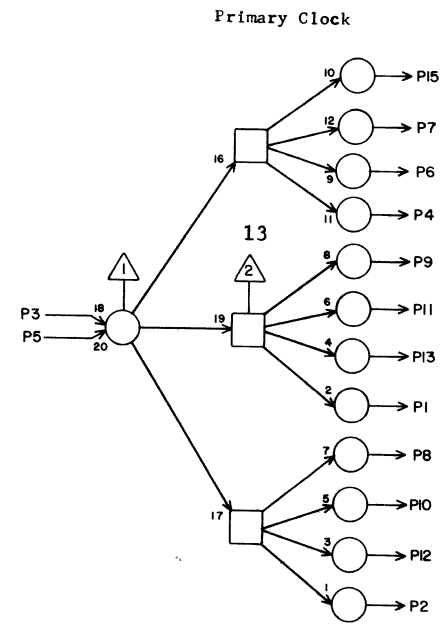


T D 4 G9

1	F19	15	15
2	F19	17	15
3	G 9	X	2
4	G 9	X	2
5	H 3	16	11
6	H 4	16	11
7	H 6	16	9
8	H 7	16	7
9	H 8	16	7
10	H 9	16	7
11	H11	16	7
12	H12	16	7
13	H 1	16	13
14	H23	16	17
15	H 2	16	11
16	H24	16	17
17	H13	16	7
18	H14	16	7
19	H16	16	13
20	H17	16	13
21	H18	16	13
22	H19	16	13
23	H21	16	15
24	H22	16	15
25	G 9	X	2
26	G 9	X	2
27	F19	19	15
28	F19	21	15

JACK PIN LG

63019200 Rev. C

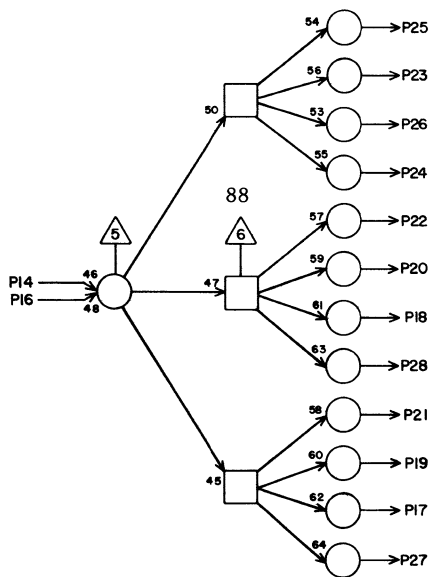
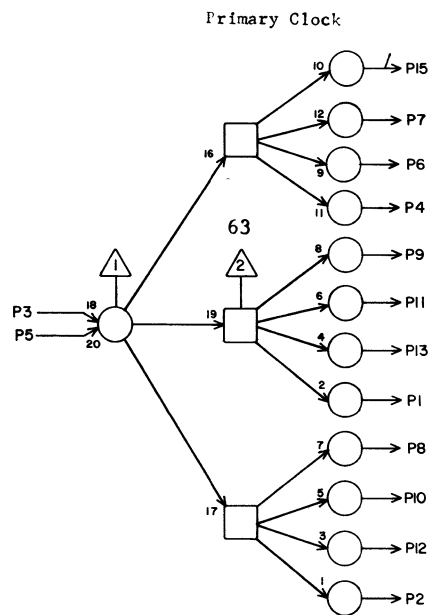


T C 4 G10

1	G22	14	37
2	H26	3	37
3	G13	2	37
4	H26	14	37
5	G10	X	2
6			37
7	F13	26	108
8			37
9	J14	3	15
10	J42	3	31
11	G08	22	5
12			
13	G08	21	8
14	G13	1	37
15			
16	G10	X	2
17	J42	14	31
18	C21	14	39
19	F21	14	39
20	M21	14	39
21	P21	14	39
22	P21	3	37
23	M21	3	37
24	G22	3	37
25	I06	3	72
26	I13	3	72
27	C21	3	37
28	F21	3	37

JACK PIN LG

63019200 Rev. V



TC

4 G11

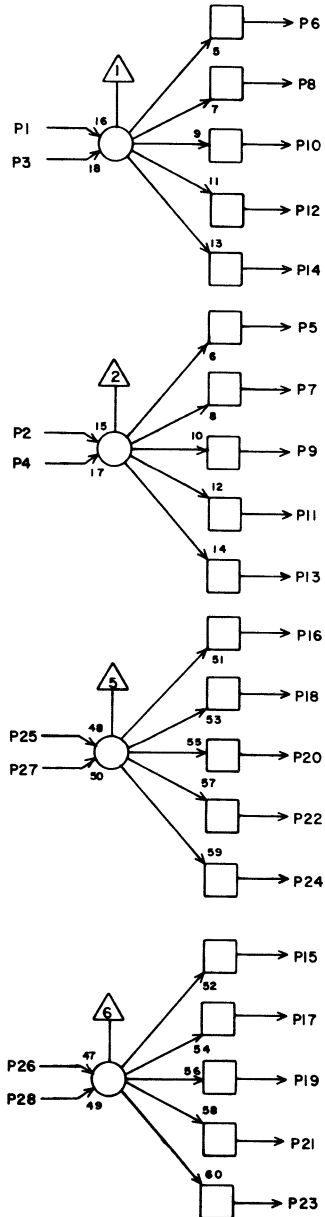
1			
2			
3	G13	28	37
4	G14	14	37
5	G11	X	2
6	G18	14	37
7	H27	3	37
8	H27	14	37
9			
10			
11			
12			
13			
14	G13	27	37
15			
16	G11	X	2
17	I 7	14	37
18	I07	15	37
19	G08	27	7
20			
21	J14	14	15
22	L14	14	21
23			
24			
25	G08	23	7
26	G08	24	7
27	G08	28	7
28	G18	3	37

JACK PIN LG

LS 63063600
ASSY

C
REV

Serials 1-31



TD

G12

1	G13	14	7
2	G12	6	108
3	G12	X	2
4	G12	X	2
5	G12	27	108
6	G12	2	108
7			
8	G13	11	5
9	G13	18	5
10	G13	16	156
11	G13	13	156
12			
13			
14	G13	10	84
15			
16	G12	28	108
17	G13	20	3
18	G13	17	15
19	G13	19	156
20	G13	15	156
21			
22			
23			
24			
25	G12	X	2
26	G12	X	2
27	G12	5	108
28	G12	16	108

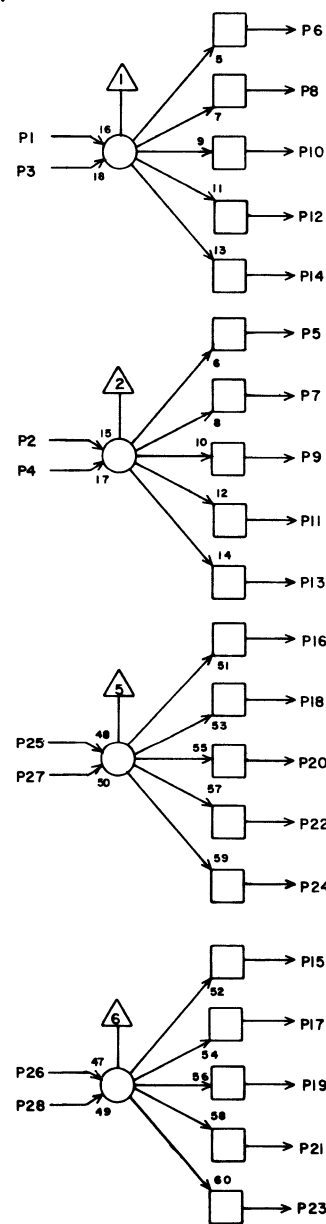
JACK PIN LG
CIRCUIT SPECIFICATION 11827600

63019200 Rev 11

LS 63063600
ASSY

C
REV

Serials 32 and Up



TD

4G12

1	G13	14	7
2	G12	6	108
3	G12	X	2
4	G12	X	2
5	G12	27	108
6	G12	2	108
7			
8	G13	11	5
9	G13	18	5
10	G13	19	5
11	G13	16	5
12			
13			
14	G13	10	84
15			
16	G12	28	108
17	G13	20	3
18	G13	17	15
19	G13	15	5
20	G13	13	5
21			
22			
23			
24			
25	G12	X	2
26	G12	X	2
27	G12	5	108
28	G12	16	108

JACK PIN LG
CIRCUIT SPECIFICATION 11827600

63019200 Rev 11

Serials 1 - 31

HQ

G13

1	G10	14	37
2	G10	3	37
3			
4	L21	5	
5			
6	K21	5	
7			
8			
9			
10	G12	14	84
11	G12	8	5
12	W20	900	
13	G12	11	156
14	G12	1	7
15	G12	20	156
16	G12	10	156
17	G12	18	15
18	G12	9	5
19	G12	19	156
20	G12	17	3
21			
22			
23			
24			
25			
26			
27	G11	14	37
28	G11	3	37

JACK PIN LG

CIRCUIT SPECIFICATION I1827600

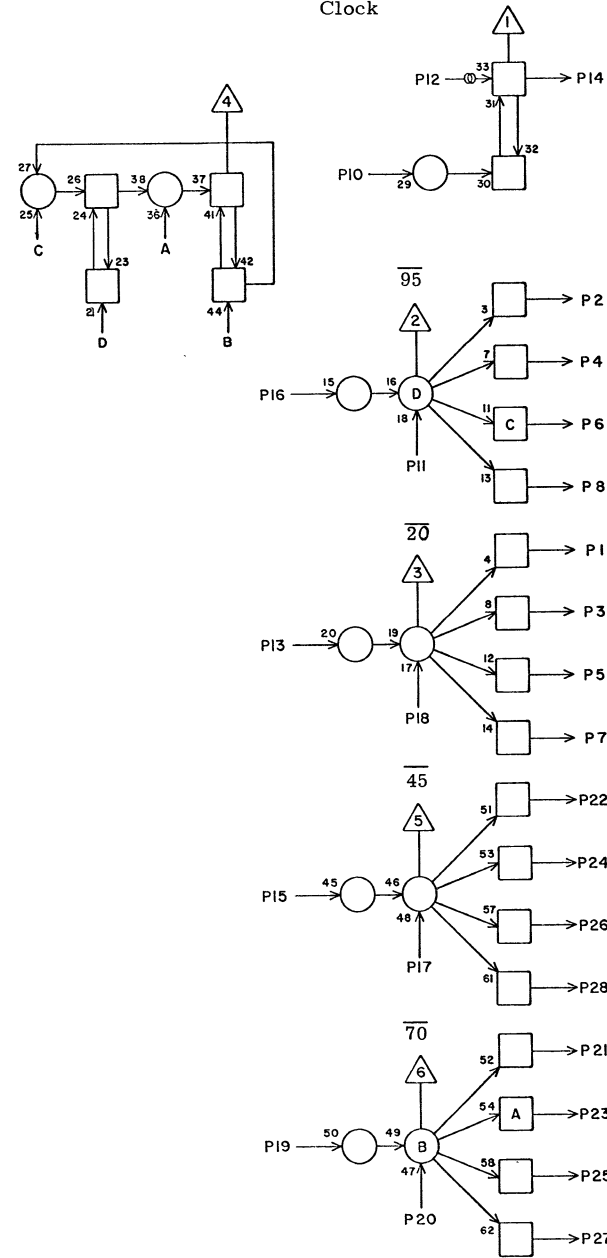
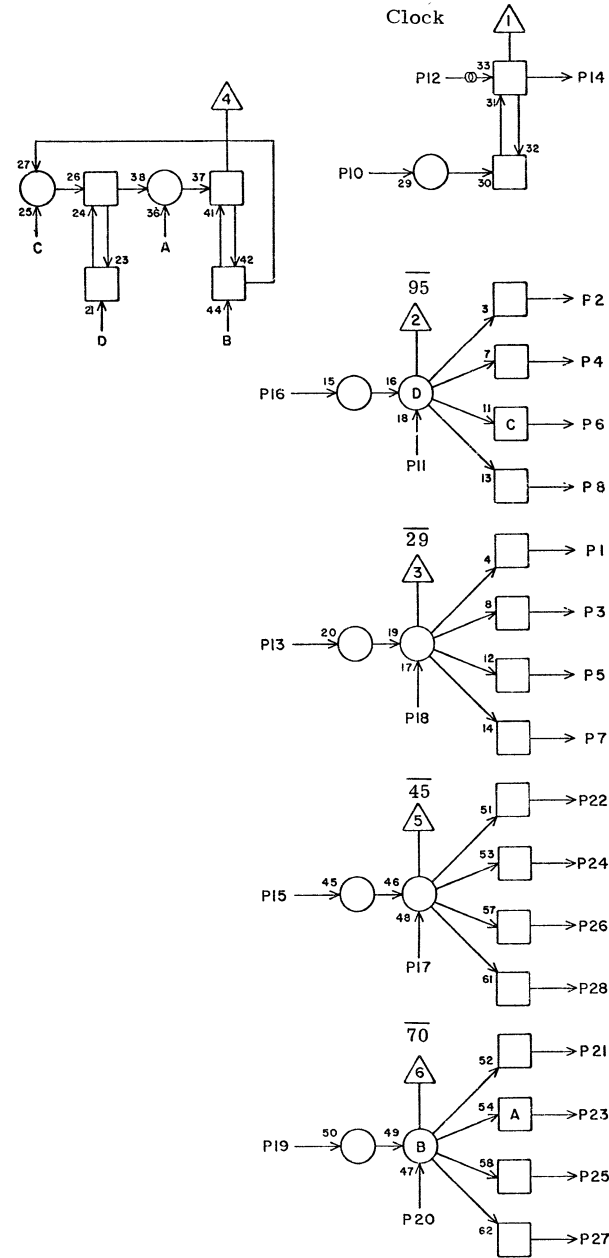
63019200 Rev U

Serials 32 and Up

HQ

4G13

Clock

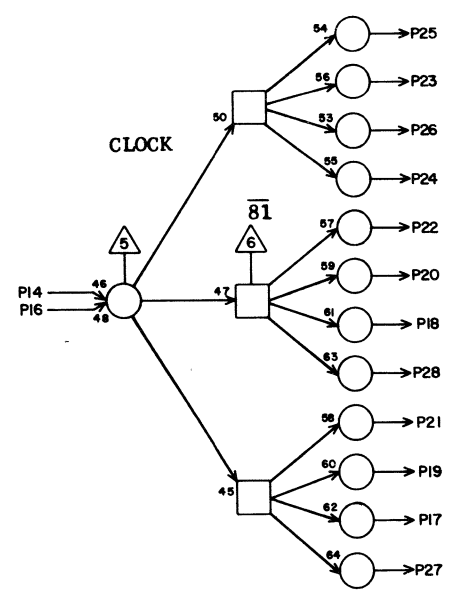
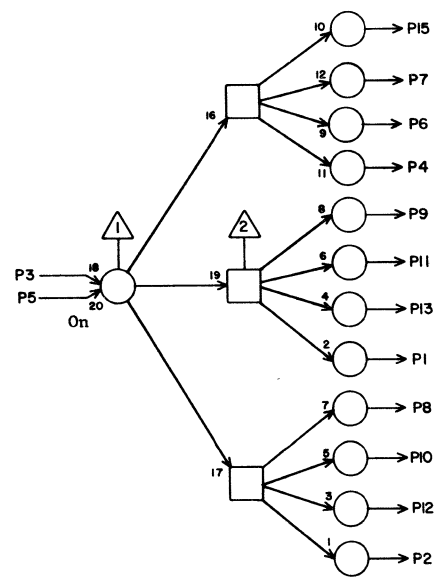


1	G10	14	37
2	G10	3	37
3			
4	L21	5	
5			
6	K21	5	
7			
8			
9			
10	G12	14	84
11	G12	8	5
12	W20	900	
13	G12	20	5
14	G12	1	7
15	G12	19	5
16	G12	11	5
17	G12	18	15
18	G12	9	5
19	G12	10	5
20	G12	17	3
21			
22			
23			
24			
25			
26			
27	G11	14	37
28	G11	3	37

JACK PIN LG

CIRCUIT SPECIFICATION I1827600

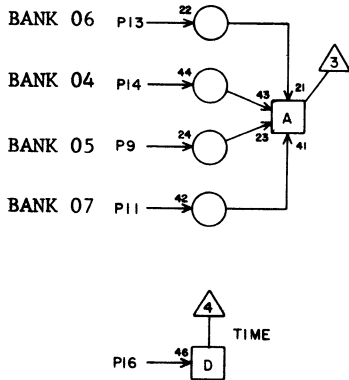
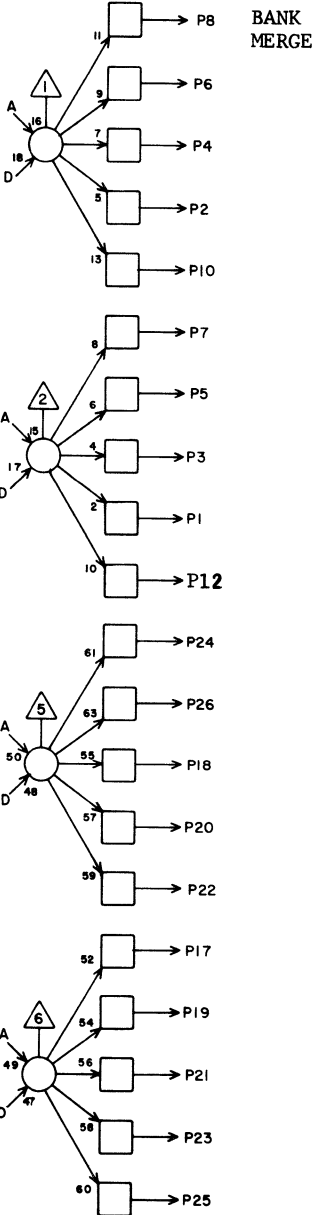
63019200 Rev U



1	G 1	19	15
2	G 1	12	15
3	G14	X	2
4	G 1	16	15
5	G14	X	2
6	G 1	13	15
7	G 2	19	15
8	G 2	12	15
9	G 2	16	15
10	G 2	13	15
11	G 3	19	15
12	G 3	12	13
13	G 3	16	13
14	G11	4	37
15	G 3	13	13
16	G14	X	2
17	G 4	23	144
18			
19	G 1	15	15
20	G 2	15	15
21	G 3	15	13
22			
23			
24			
25	G40	15	27
26	G41	15	27
27	G42	15	27
28			

JACK PIN LG

STORAGE SEQUENCE CONTROL



SG

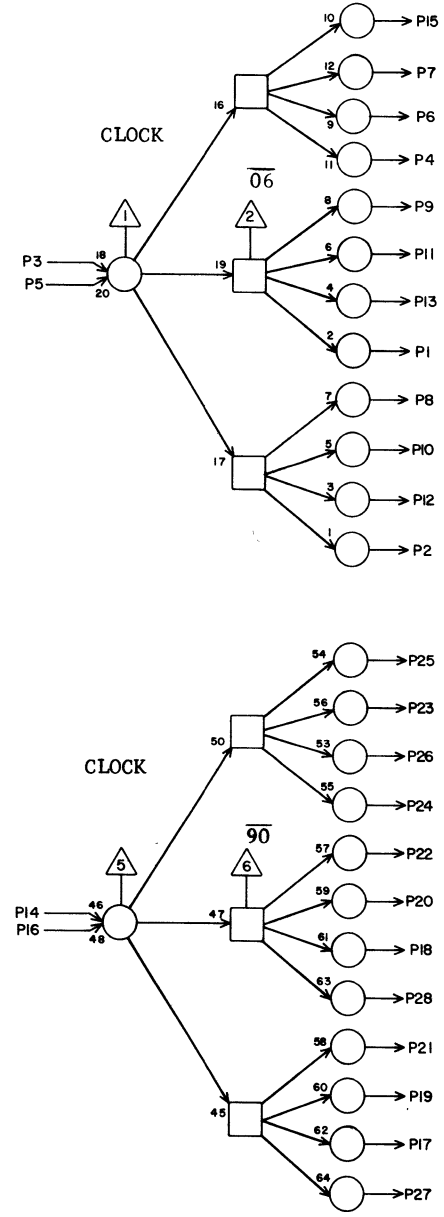
4 G17

1	H 1	17	19
2	H 2	17	17
3	H11	17	11
4	H 3	17	17
5	H 8	17	13
6	H 4	17	15
7	H 6	17	15
8	H 7	17	13
9	F18	12	7
10	H 9	17	11
11	P18	12	35
12	H12	17	9
13	M18	12	25
14	C18	12	17
15			
16	F 13	25	53
17	H13	17	7
18	H14	17	7
19	H16	17	7
20	H17	17	7
21	H18	17	7
22	H19	17	7
23	H21	17	7
24	H22	17	11
25	H23	17	11
26	H24	17	11
27			
28			

JACK PIN LG

TC

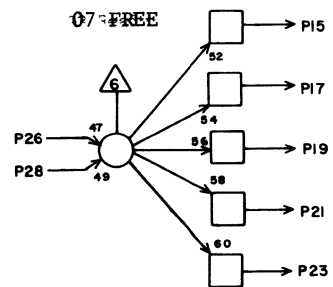
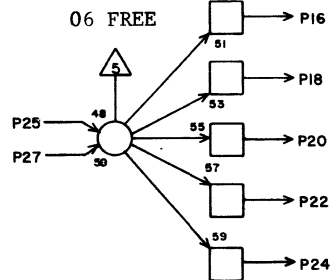
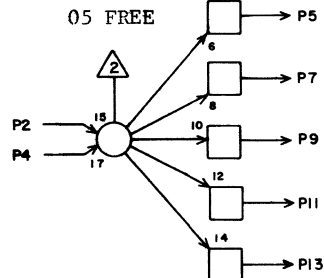
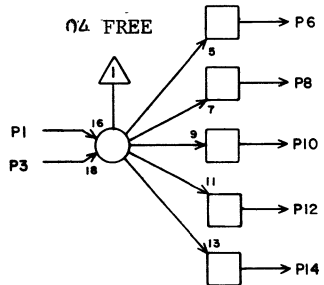
4 G18



1	I20	15	156
2	I21	19	13
3	G11	28	37
4			
5	G18	X	2
6	G05	20	19
7	I24	19	72
8	H20	19	18
9			
10			
11			
12			
13			
14	G11	6	37
15			
16	G18	X	2
17	H 6	15	15
18	H 7	15	15
19	H 8	15	13
20	H 9	15	11
21	H11	15	11
22	H12	15	11
23	H13	15	7
24	H14	15	7
25	H16	15	7
26	H17	15	7
27	H18	15	7
28	H19	15	7

JACK PIN LG

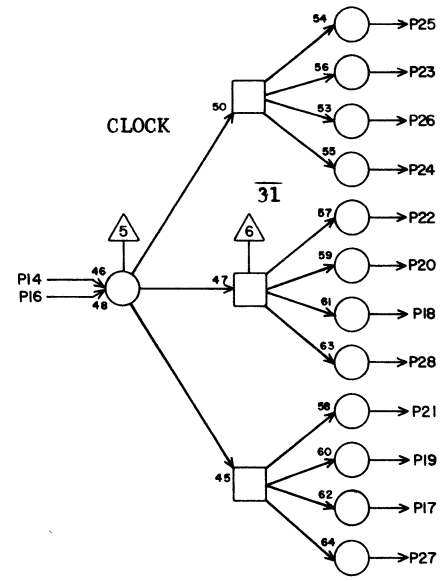
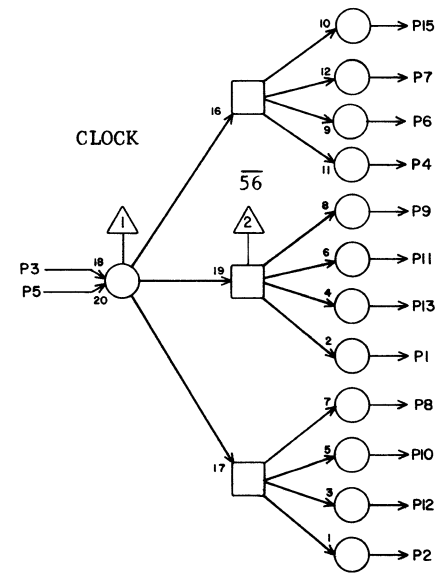
STORAGE SEQUENCE CONTROL



T D 4 G19

1	G 7	19	15
2	G 7	13	15
3	G19	X	2
4	G19	X	2
5	F22	16	7
6	G 5	26	17
7	F23	16	7
8	C22	16	19
9	F24	16	9
10	C23	16	19
11	F25	16	9
12	C24	16	19
13	G 5	27	17
14	C25	16	19
15	P22	16	37
16	M22	16	25
17	P23	16	37
18	M23	16	25
19	P24	16	37
20	M24	16	25
21	P25	16	37
22	M25	16	25
23	G 5	2	17
24	G 5	5	15
25	G19	X	2
26	G19	X	2
27	G 7	14	15
28	G 7	20	15

JACK PIN LG

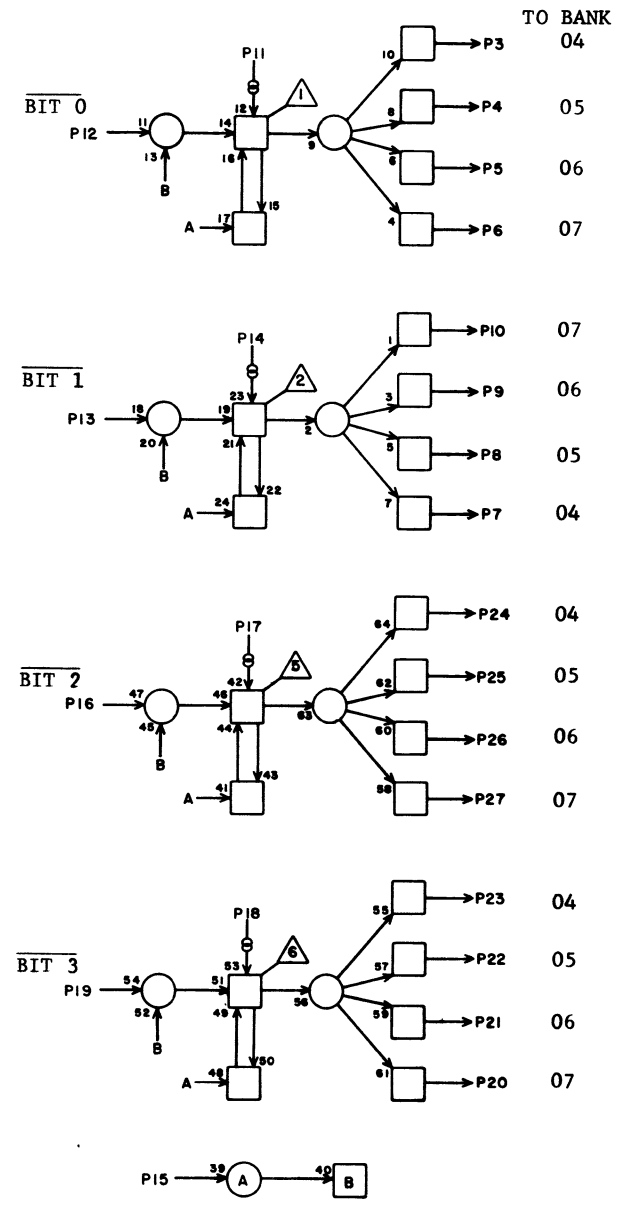


TC 4 G22

1	C22	14	17
2	C23	14	17
3	G10	24	37
4	C24	14	17
5	G22	X	2
6	C25	14	19
7	F22	14	7
8	F23	14	7
9	F24	14	9
10	F25	14	9
11	M22	14	27
12	M23	14	27
13	M24	14	25
14	G10	1	37
15	M25	14	25
16	G22	X	2
17	C15	16	19
18	C17	16	19
19	F15	16	11
20	F17	16	9
21	M17	16	25
22	M15	16	27
23	F15	16	35
24	F17	16	35
25			
26			
27			
28			

JACK PIN LG

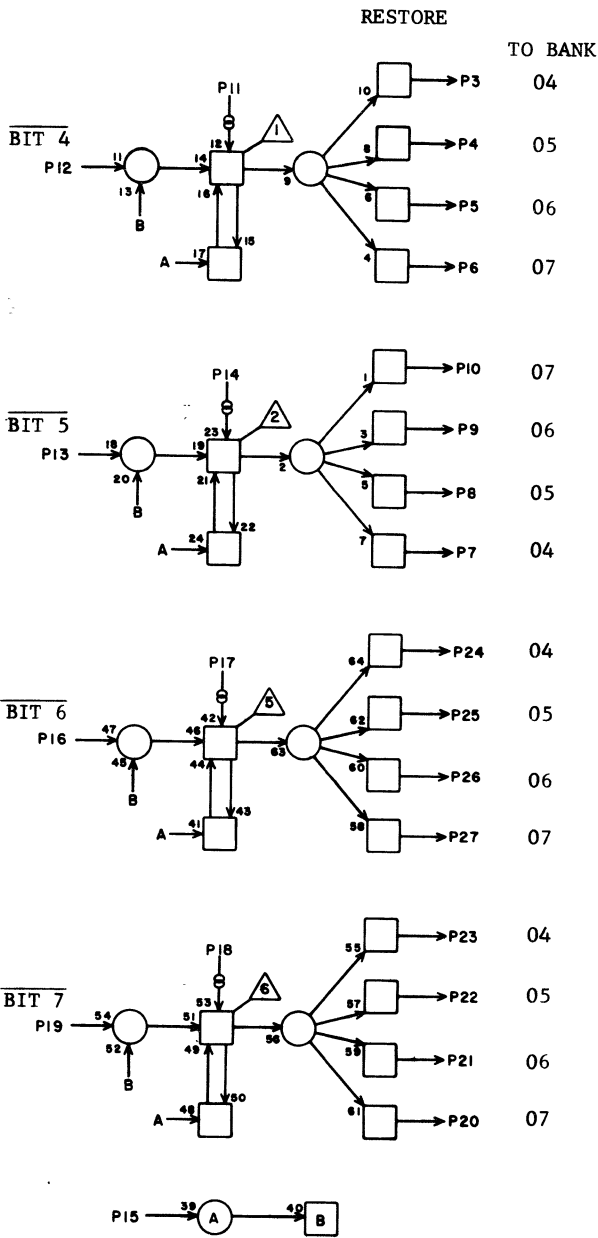
RESTORE



TO BANK
04
05
06
07
07
06
05
04
04
05
06
07
04
05
06
07
04
05
06
07
04
05
06
07

1			
2			
3	C 4	4	27
4	F 4	4	23
5	M 4	4	31
6	P 4	4	39
7	C 4	2	27
8	F 4	2	23
9	M 4	2	31
10	F 4	2	39
11			
12	H28	4	9
13	H28	5	9
14			
15	H27	1	7
16	H28	28	9
17			
18			
19	H28	27	9
20	P 4	19	39
21	M 4	19	31
22	F 4	19	23
23	C 4	19	27
24	C 4	6	27
25	F 4	6	23
26	M 4	6	29
27	P 4	6	39
28			

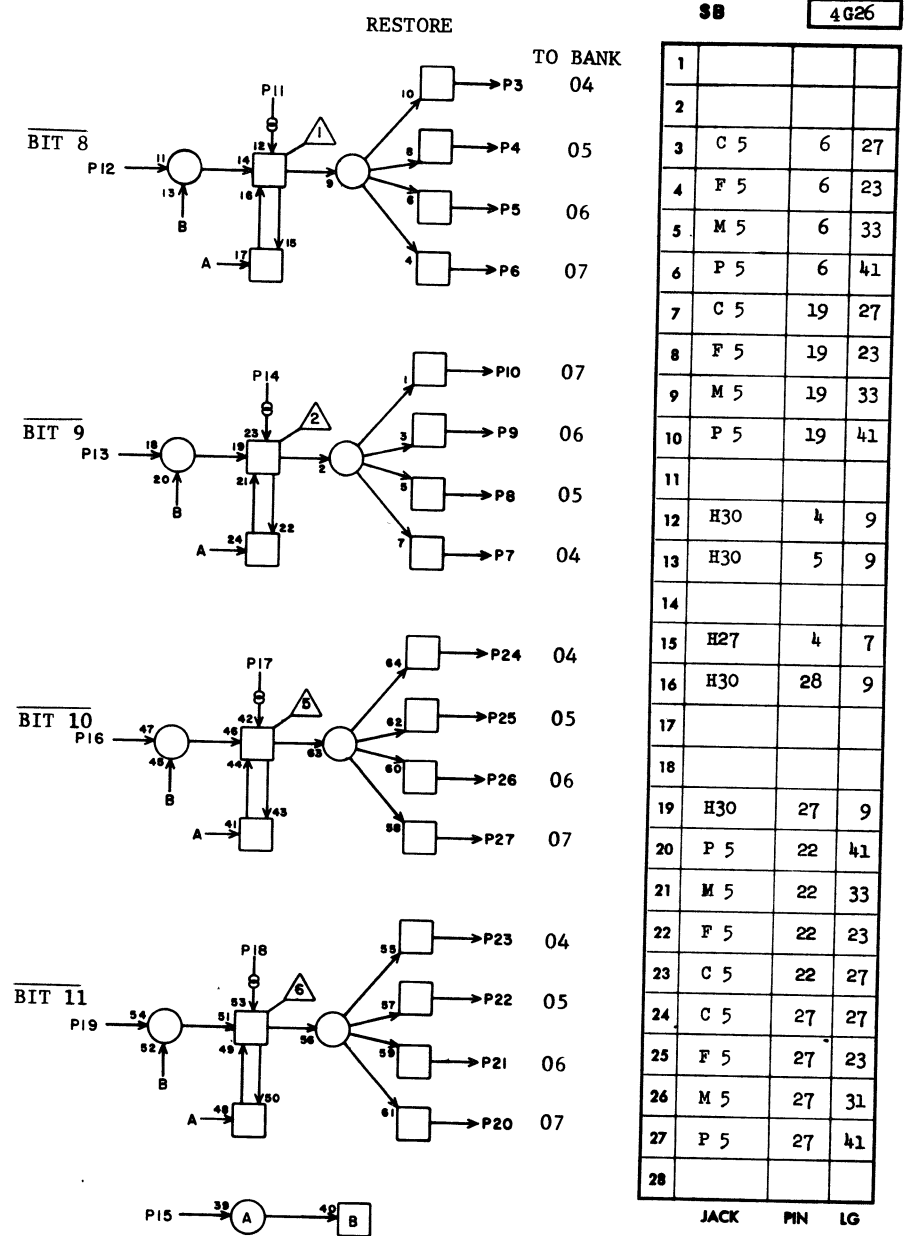
JACK PIN LG



SB		4G25	
1			
2			
3	C 4	27	27
4	F 4	27	23
5	M 4	27	33
6	P 4	27	41
7	C 4	22	27
8	F 4	22	23
9	M 4	22	33
10	P 4	22	41
11			
12	H29	4	9
13	H29	5	9
14			
15	H27	2	7
16	H29	28	9
17			
18			
19	H29	27	9
20	P 5	2	39
21	M 5	2	31
22	F 5	2	23
23	C 5	2	29
24	C 5	4	29
25	F 5	4	23
26	M 5	4	29
27	P 5	4	39
28			

JACK PIN LG

63019200 Rev. C

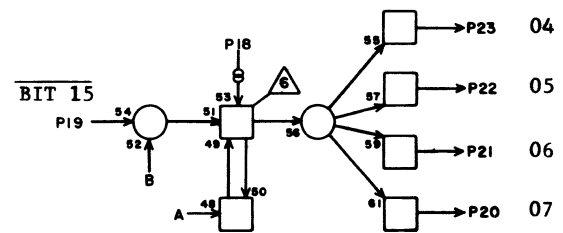
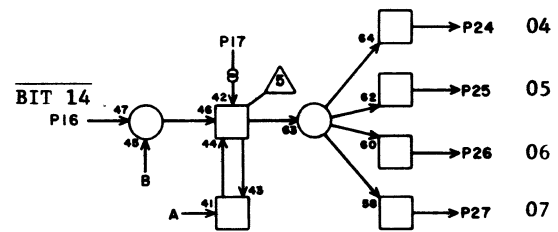
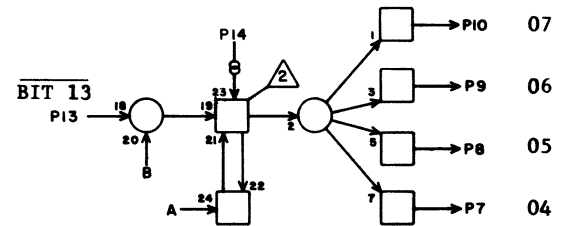
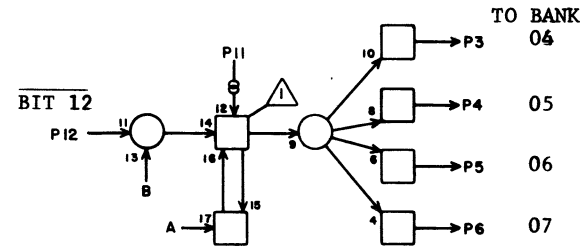


SB		4G26	
1			
2			
3	C 5	6	27
4	F 5	6	23
5	M 5	6	33
6	P 5	6	41
7	C 5	19	27
8	F 5	19	23
9	M 5	19	33
10	P 5	19	41
11			
12	H30	4	9
13	H30	5	9
14			
15	H27	4	7
16	H30	28	9
17			
18			
19	H30	27	9
20	P 5	22	41
21	M 5	22	33
22	F 5	22	23
23	C 5	22	27
24	C 5	27	27
25	F 5	27	23
26	M 5	27	31
27	P 5	27	41
28			

JACK PIN LG

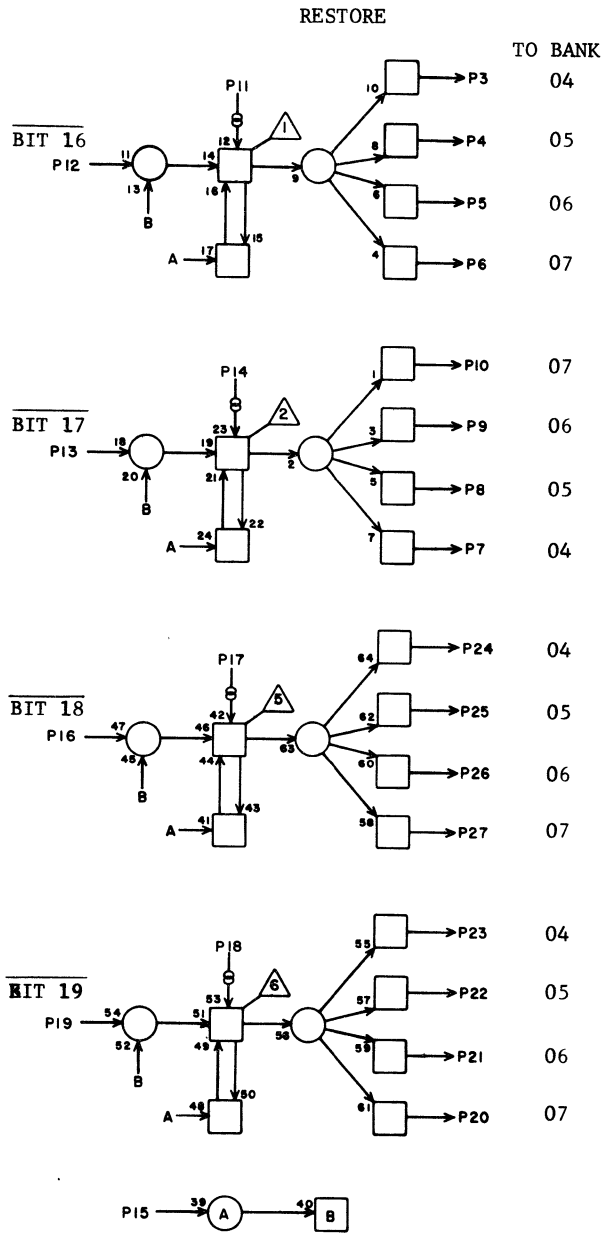
63019200 Rev. C

RESTORE



1			
2			
3	C10	4	25
4	F10	4	21
5	M10	4	31
6	P10	4	39
7	C10	2	25
8	F10	2	21
9	M10	2	31
10	P10	2	39
11			
12	H31	4	9
13	H31	5	9
14			
15	H27	6	7
16	H31	28	9
17			
18			
19	H31	27	9
20	F10	19	39
21	M10	19	31
22	F10	19	21
23	C10	19	25
24	C10	6	27
25	F10	6	21
26	M10	6	29
27	F10	6	39
28			

JACK PIN LG

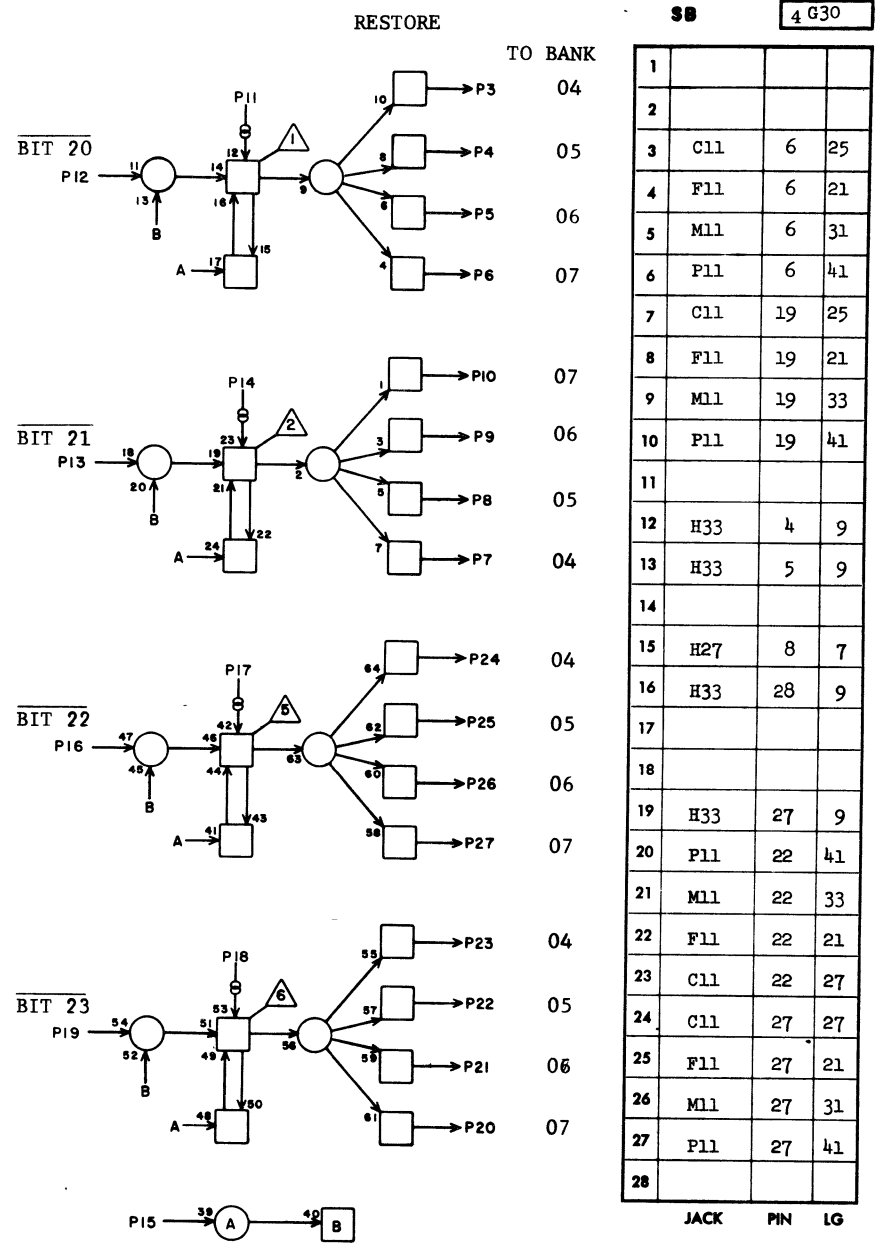


SB 4 G29

1			
2			
3	C10	27	25
4	F10	27	21
5	M10	27	33
6	P10	27	41
7	C10	22	25
8	F10	22	21
9	M10	22	33
10	P10	22	41
11			
12	H32	4	9
13	H32	5	9
14			
15	H27	7	7
16	H32	28	9
17			
18			
19	H32	27	9
20	P11	2	39
21	M11	2	31
22	F11	2	21
23	C11	2	27
24	C11	4	27
25	F11	4	21
26	M11	4	29
27	P11	4	39
28			

JACK PIN LG

63019200 Rev. C.



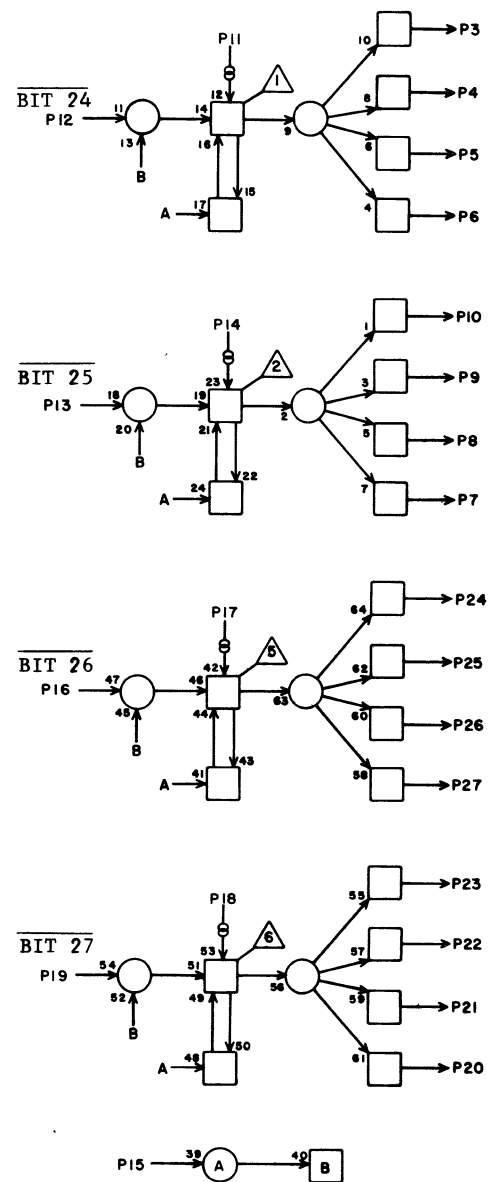
SB 4 G30

1			
2			
3	C11	6	25
4	F11	6	21
5	M11	6	31
6	P11	6	41
7	C11	19	25
8	F11	19	21
9	M11	19	33
10	P11	19	41
11			
12	H33	4	9
13	H33	5	9
14			
15	H27	8	7
16	H33	28	9
17			
18			
19	H33	27	9
20	P11	22	41
21	M11	22	33
22	F11	22	21
23	C11	22	27
24	C11	27	27
25	F11	27	21
26	M11	27	31
27	P11	27	41
28			

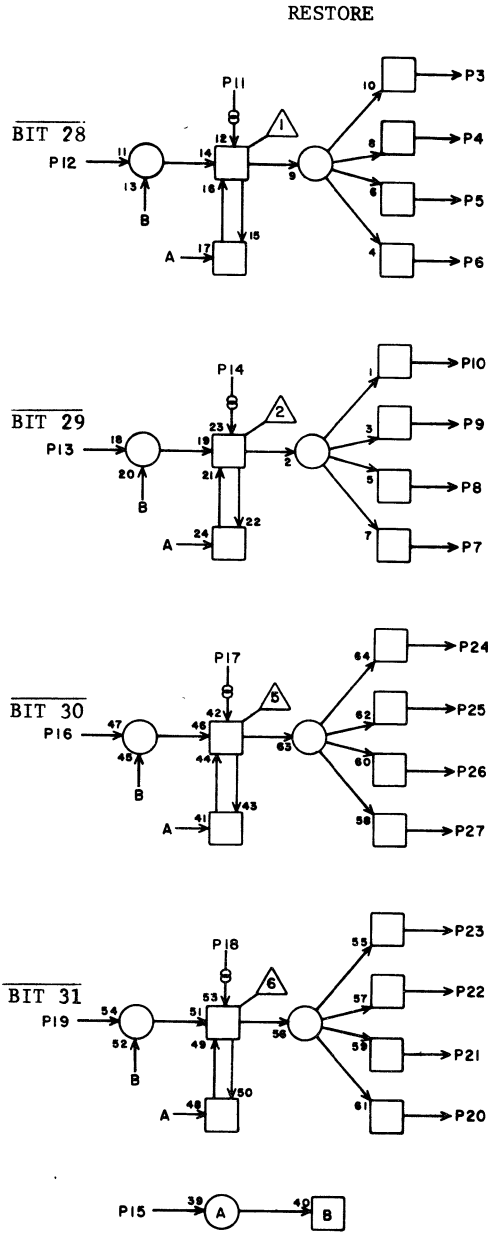
JACK PIN LG

63019200 Rev. C.

RESTORE



TO BANK	JACK	PIN	LG
1			
04			
2			
05	3	C29	4 19
06	4	F29	4 9
072	5	M29	4 25
6	6	P29	4 37
7	7	C29	2 17
8	8	F29	2 9
9	9	M29	2 25
06	10	P29	2 35
11			
12	12	H34	4 7
04	13	H34	5 7
14			
04	15	H27	9 11
05	16	H34	28 7
17			
18			
06	19	H34	27 7
07	20	P29	19 37
21	21	M29	19 25
04	22	F29	19 9
05	23	C29	19 19
06	24	C29	6 21
06	25	F29	6 11
07	26	M29	6 25
07	27	P29	6 35
28			

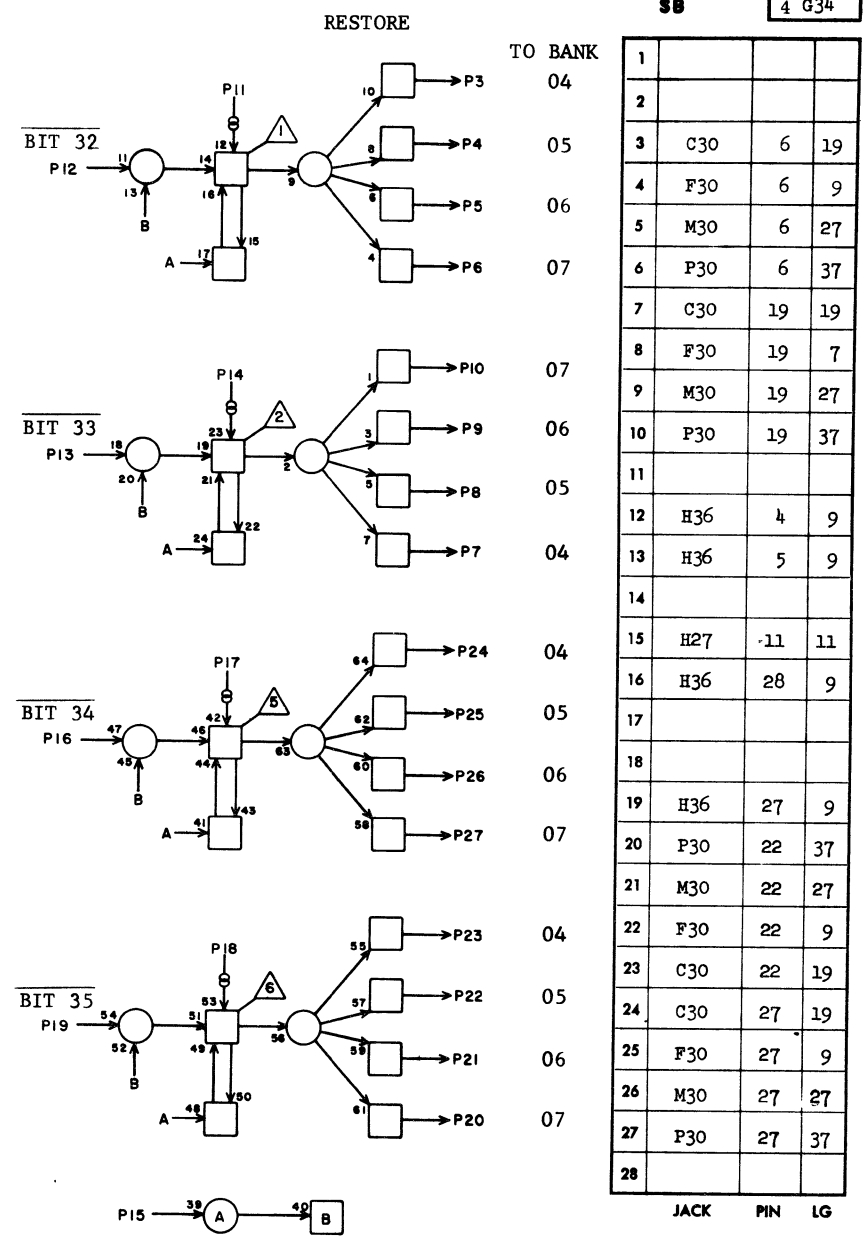


SB 4 G33

TO BANK	JACK	PIN	LG
04	1		
05	2		
06	3	C29	27 17
07	4	F29	27 7
07	5	M29	27 27
07	6	P29	27 39
07	7	C29	22 19
07	8	F29	22 7
06	9	M29	22 27
06	10	P29	22 37
05	11		
04	12	H35	4 9
04	13	H35	5 9
04	14		
04	15	H27	10 11
05	16	H35	28 7
06	17		
06	18		
07	19	H35	27 9
07	20	P30	2 35
04	21	M30	2 25
05	22	F30	2 11
05	23	C30	2 19
06	24	C30	4 19
06	25	F30	4 11
07	26	M30	4 25
07	27	P30	4 35
07	28		

JACK PIN LG

63019200 Rev. C



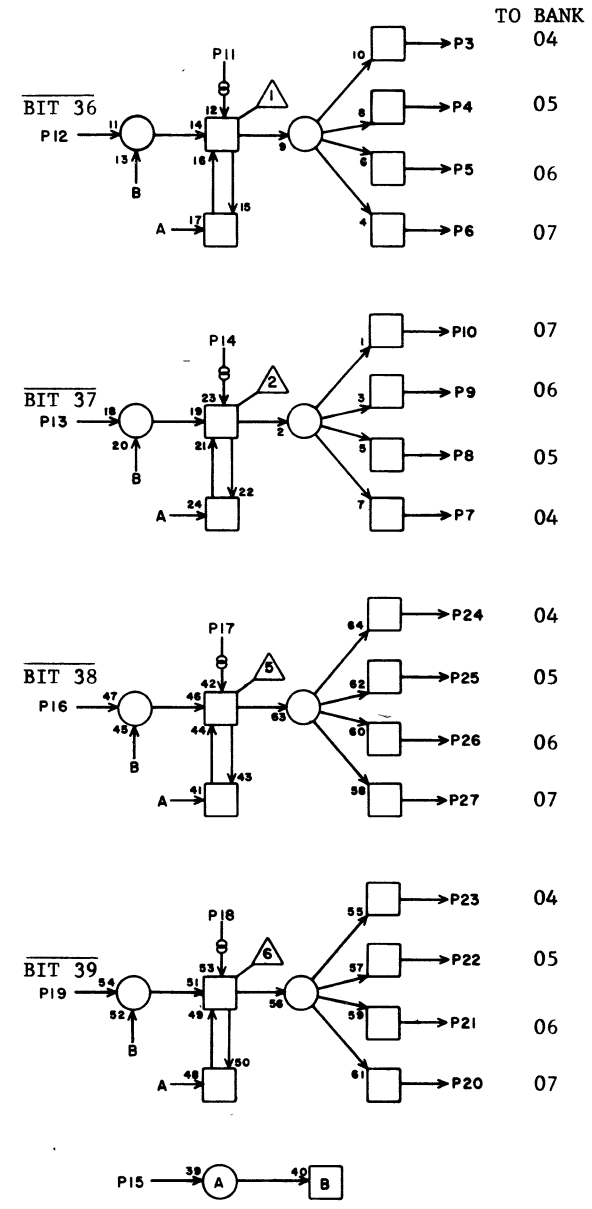
SB 4 G34

TO BANK	JACK	PIN	LG
04	1		
05	2		
06	3	C30	6 19
06	4	F30	6 9
07	5	M30	6 27
07	6	P30	6 37
07	7	C30	19 19
07	8	F30	19 7
06	9	M30	19 27
06	10	P30	19 37
05	11		
04	12	H36	4 9
04	13	H36	5 9
04	14		
04	15	H27	11 11
05	16	H36	28 9
06	17		
06	18		
07	19	H36	27 9
07	20	F30	22 37
04	21	M30	22 27
05	22	F30	22 9
05	23	C30	22 19
06	24	C30	27 19
06	25	F30	27 9
07	26	M30	27 27
07	27	P30	27 37
07	28		

JACK PIN LG

63019200 Rev. C

RESTORE

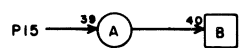
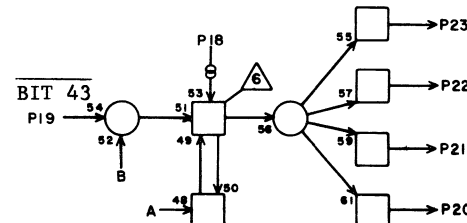
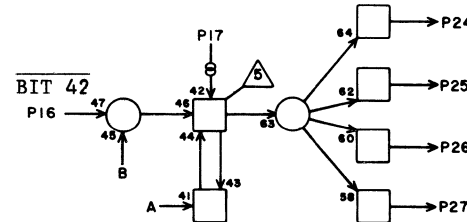
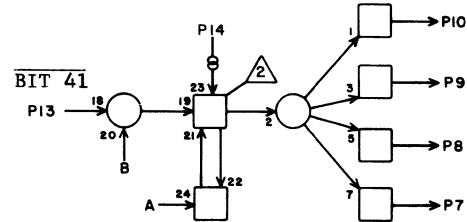
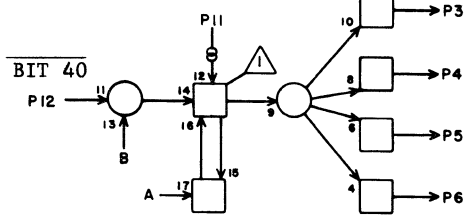


TO BANK
04
05
06
07
07
06
05
04
04
05
06
07
04
05
06
07
04
05
06
07

1			
2			
3	C35	4	19
4	F35	4	7
5	M35	4	25
6	P35	4	37
7	C35	2	17
8	F35	2	7
9	M35	2	25
10	P35	2	35
11			
12	H37	4	7
13	H37	5	7
14			
15	H27	12	15
16	H37	28	7
17			
18			
19	H37	27	7
20	P35	19	37
21	M35	19	25
22	F35	19	9
23	C35	19	19
24	C35	6	19
25	F35	6	11
26	M35	6	25
27	P35	6	35
28			

JACK PIN LG

RESTORE

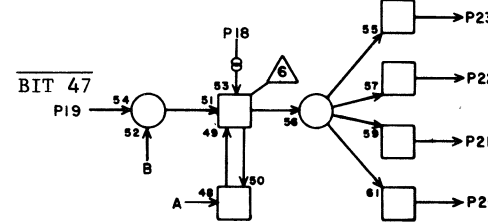
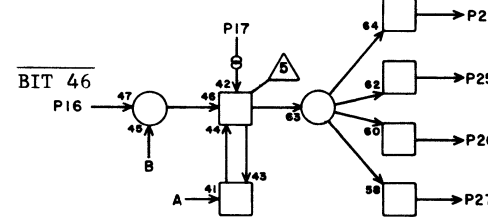
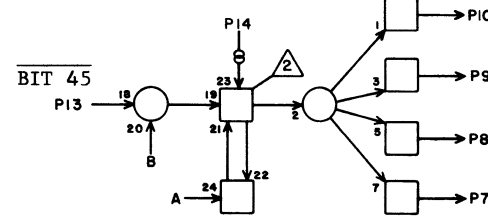
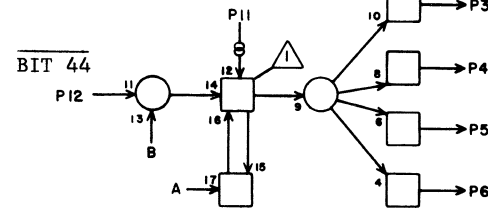


SB 4G37

TO BANK	1		
04			
05	3	C35	27
06	4	F35	27
07	5	M35	27
	6	P35	27
	7	C35	22
07	8	F35	22
	9	M35	22
06	10	P35	22
05	11		
04	12	H38	4
	13	H38	5
	14		
04	15	H27	13
	16	H38	28
	17		
	18		
	19	H38	27
07	20	P36	2
	21	M36	2
04	22	F36	2
05	23	C36	2
06	24	C36	4
	25	F36	4
	26	M36	4
07	27	P36	4
	28		

JACK PIN LG

RESTORE

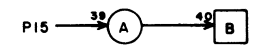
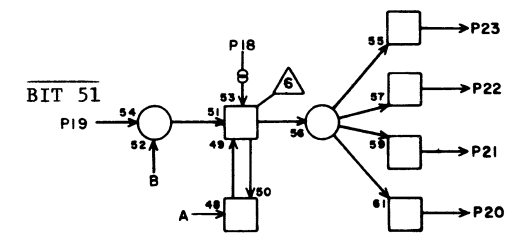
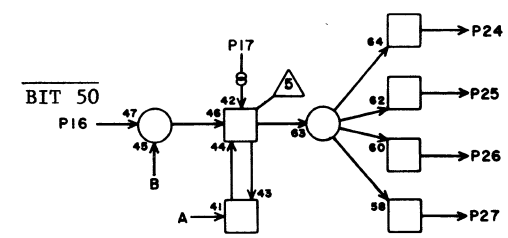
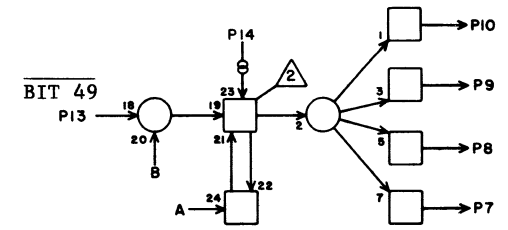
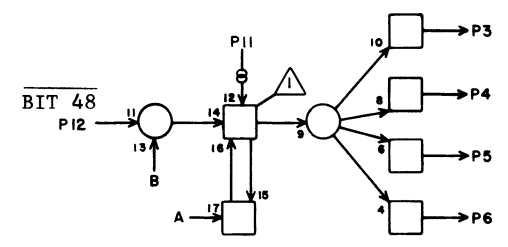


SB 4G38

TO BANK	1		
04	2		
05	3	C36	6
06	4	F36	6
	5	M36	6
07	6	P36	6
	7	C36	19
07	8	F36	19
	9	M36	19
06	10	P36	19
05	11		
04	12	H39	4
	13	H39	5
	14		
04	15	H27	15
	16	H39	28
	17		
	18		
	19	H39	27
07	20	P36	22
	21	M36	22
04	22	F36	22
05	23	C36	22
06	24	C36	27
	25	F36	27
	26	M36	27
07	27	P36	27
	28		

JACK PIN LG

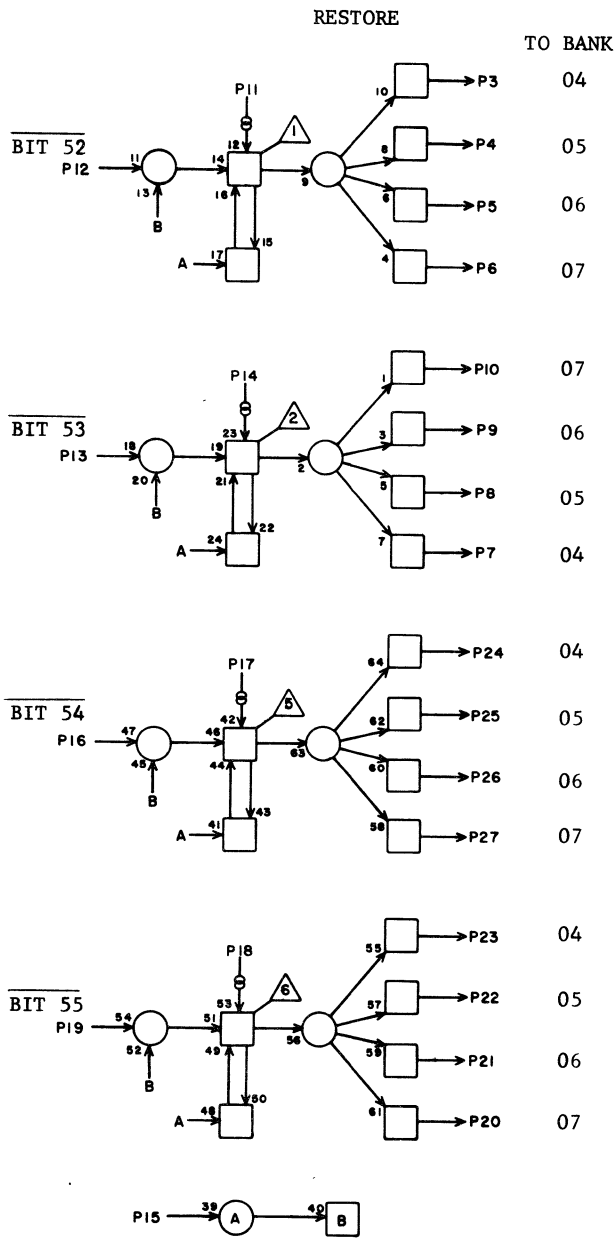
RESTORE



TO BANK

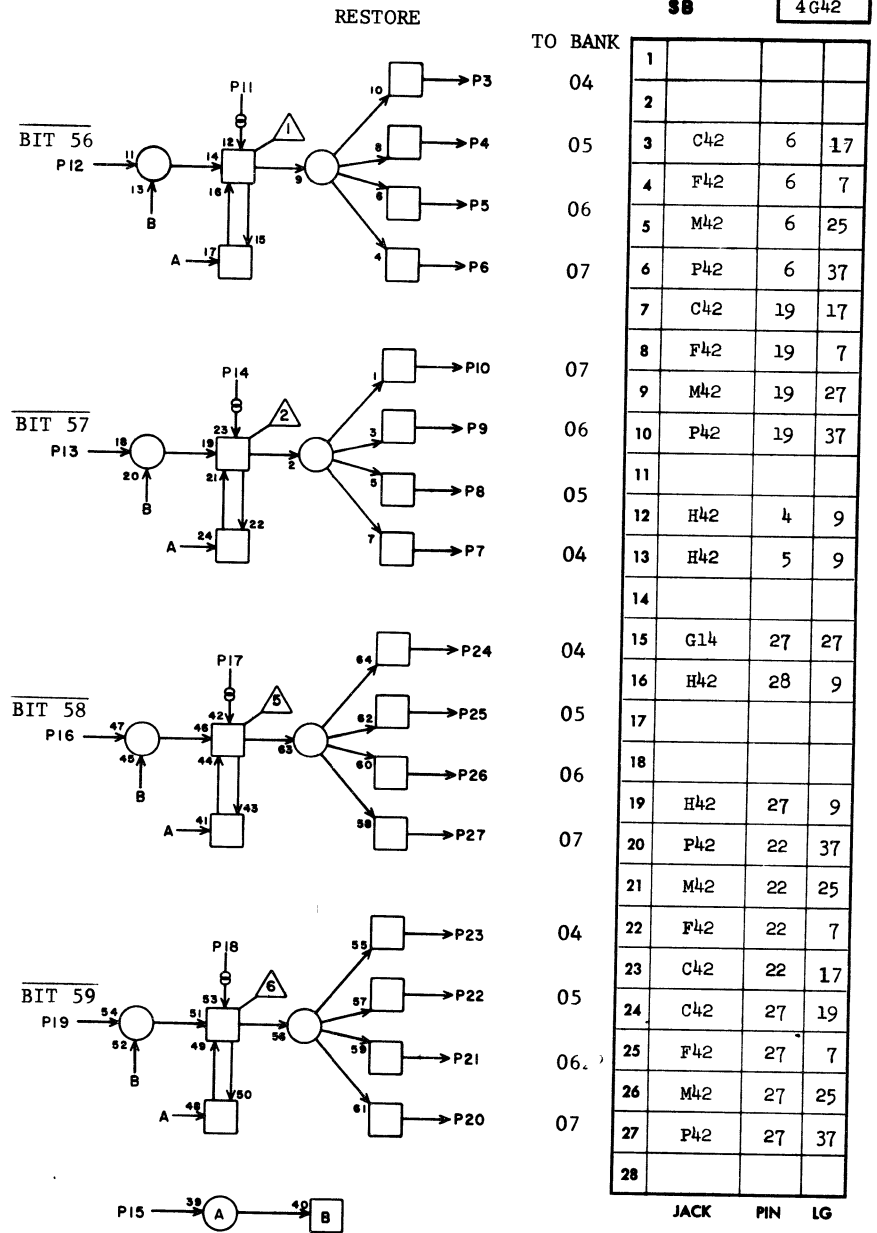
1			
2			
3	C41	4	19
4	F41	4	7
5	M41	4	25
6	P41	4	37
7	C41	2	19
8	F41	2	7
9	M41	2	25
10	P41	2	35
11			
12	H40	4	7
13	H40	5	7
14			
15	G14	25	27
16	H40	28	7
17			
18			
19	H40	27	7
20	P41	19	35
21	M41	19	25
22	F41	19	7
23	C41	19	19
24	C41	6	21
25	F41	6	7
26	M41	6	25
27	P41	6	35
28			

JACK PIN LG



		SB		4G41
1				
2				
3	C41	27	17	
4	F41	27	7	
5	M41	27	27	
6	P41	27	37	
7	C41	22	17	
8	F41	22	7	
9	M41	22	27	
10	P41	22	37	
11				
12	H41	4	9	
13	H41	5	9	
14				
15	G14	26	27	
16	H41	28	9	
17				
18				
19	H41	27	9	
20	P42	2	35	
21	M42	2	25	
22	F42	2	9	
23	C42	2	21	
24	C42	4	17	
25	F42	4	9	
26	M42	4	25	
27	P42	4	35	
28				
		JACK	PIN	LG

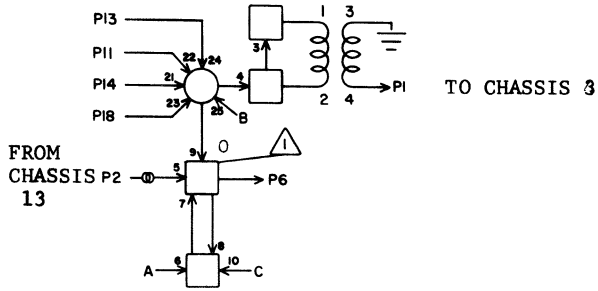
63019200 Rev. C



		SB		4G42
1				
2				
3	C42	6	17	
4	F42	6	7	
5	M42	6	25	
6	P42	6	37	
7	C42	19	17	
8	F42	19	7	
9	M42	19	27	
10	P42	19	37	
11				
12	H42	4	9	
13	H42	5	9	
14				
15	G14	27	27	
16	H42	28	9	
17				
18				
19	H42	27	9	
20	P42	22	37	
21	M42	22	25	
22	F42	22	7	
23	C42	22	17	
24	C42	27	19	
25	F42	27	7	
26	M42	27	25	
27	P42	27	37	
28				
		JACK	PIN	LG

63019200 Rev. C

READ-DISTRIBUTE-RESTORE
BIT 0 - BIT 2

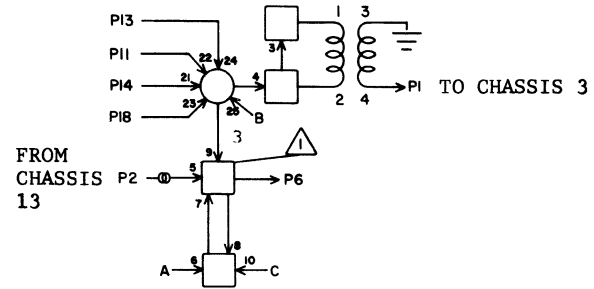


SE 4H1

1	W05	90	
2	W03	900	
3			
4			
5			
6	H28	14	29
7	C 1	11	23
8	W05	91	
9	F 1	11	11
10	P 1	11	33
11	C 1	5	23
12	M 1	11	23
13	F 1	5	13
14	M 1	5	21
15	H27	25	25
16	G 9	13	13
17	GL7	1	19
18	P 1	5	31
19	W03	901	
20			
21	H28	13	27
22	H28	18	29
23	C 1	19	23
24	W03	902	
25	F 1	19	13
26	M 1	19	21
27	P 1	19	31
28	W05	92	

JACK PIN LG

READ-DISTRIBUTE-RESTORE
BIT 3 - BIT 5

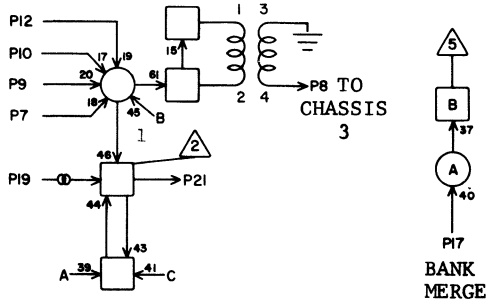


SE 4H2

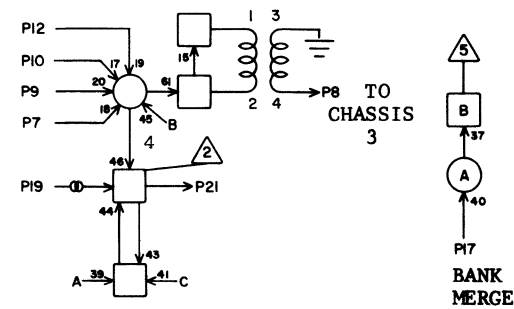
1	W05	93	
2	W03	903	
3			
4			
5			
6	H28	17	27
7	C 2	5	23
8	W05	94	
9	F 2	5	11
10	P 2	5	33
11	C 1	25	21
12	M 2	5	21
13	F 1	25	11
14	M 1	25	23
15	H27	26	25
16	G 9	15	11
17	GL7	2	17
18	P 1	25	33
19	W03	904	
20			
21	H29	14	27
22	H29	13	27
23	C 2	11	23
24	W03	905	
25	F 2	11	13
26	M 2	11	21
27	P 2	11	31
28	W05	95	

JACK PIN LG

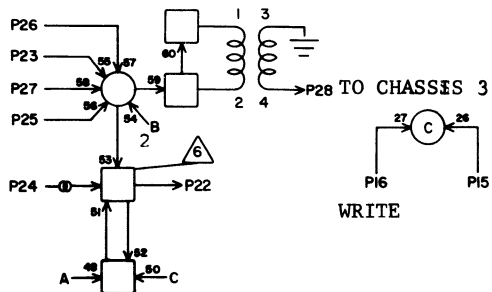
FROM CHASSIS 13



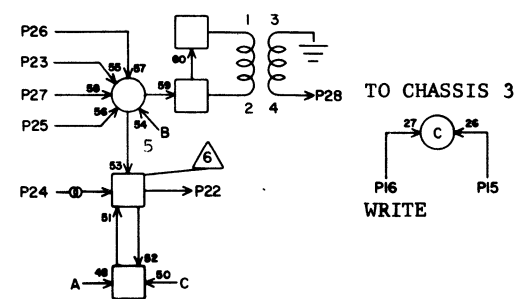
FROM CHASSIS 13



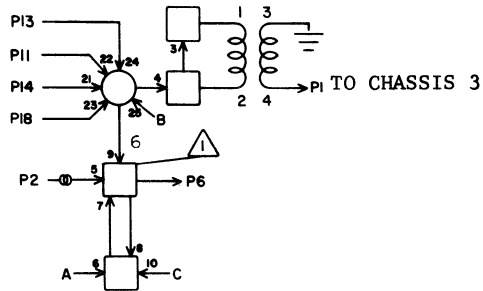
FROM CHASSIS 18



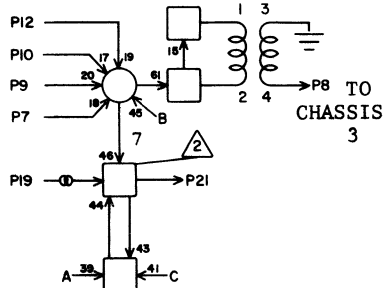
FROM CHASSIS 13



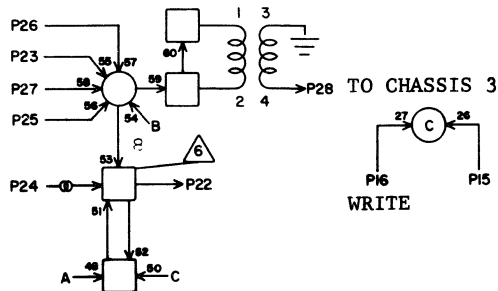
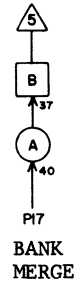
READ-DISTRIBUTE-RESTORE
BIT 6 - BIT 8



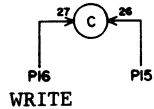
FROM
CHASSIS
13



FROM
CHASSIS
13



FROM
CHASSIS
13



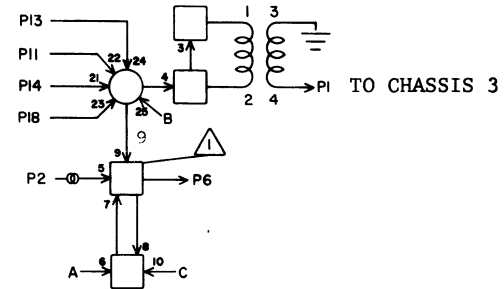
SE 4 H3

1	W05	96	
2	W03	906	
3			
4			
5			
6	H29	18	27
7	C 2	25	21
8	W05	97	
9	F 2	25	11
10	P 2	25	33
11	C 2	19	21
12	M 2	25	23
13	F 2	19	11
14	M 2	19	23
15	H27	27	25
16	G 9	5	11
17	G17	4	17
18	P 2	19	33
19	W03	907	
20			
21	H29	17	27
22	H30	14	27
23	C 3	5	23
24	W03	90	
25	F 3	5	13
26	M 3	5	21
27	P 3	5	31
28	W05	98	

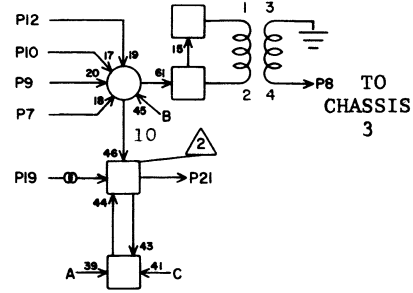
JACK PIN LG

63019200 Rev. C

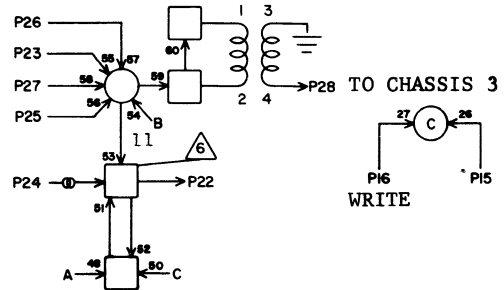
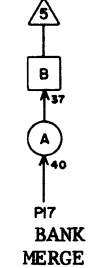
READ-DISTRIBUTE-RESTORE
BIT 9 - BIT 11



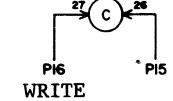
FROM
CHASSIS
13



FROM
CHASSIS
13



FROM
CHASSIS
13



SE 4 H4

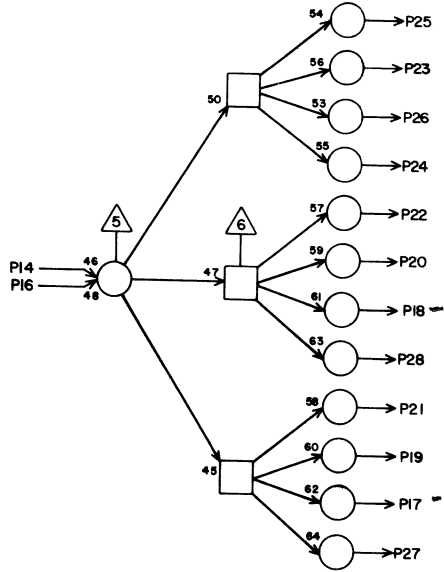
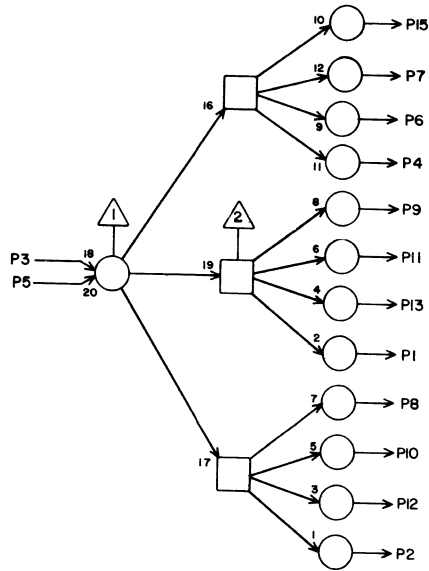
1	W05	99	
2	W03	91	
3			
4			
5			
6	H30	13	27
7	C 3	19	21
8	W05	900	
9	F 3	19	11
10	P 3	19	33
11	C 3	11	23
12	M 3	19	21
13	F 3	11	11
14	M 3	11	21
15	H27	28	23
16	G 9	6	11
17	G17	6	15
18	P 3	11	33
19	W03	92	
20			
21	H30	18	25
22	H30	17	27
23	C 3	25	23
24	W03	93	
25	F 3	25	11
26	M 3	25	23
27	P 3	25	33
28	W05	901	

JACK PIN LG

63019200 Rev. C

LS 63063500
ASSY

REV



TC

H05

1	I01	4	9
2	I02	4	9
3	G08	11	84
4	I03	4	9
5	H05	X	2
6	I04	4	9
7	I05	4	9
8	I08	4	9
9	I09	4	9
10			
11			
12			
13			
14	G08	9	9
15			
16	H05	X	2
17	I01	27	9
18	I02	27	9
19	I03	27	9
20	I04	27	9
21	I05	27	9
22	I08	27	9
23	I09	27	9
24			
25			
26			
27			
28			

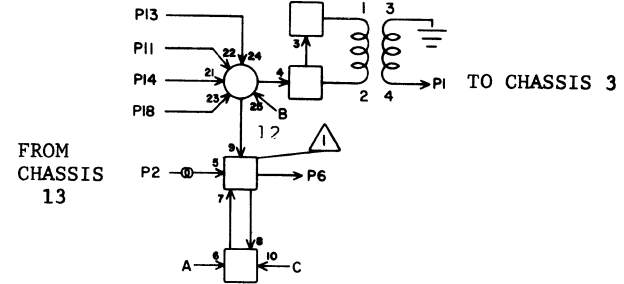
JACK PIN LG

CIRCUIT SPECIFICATION I1027600

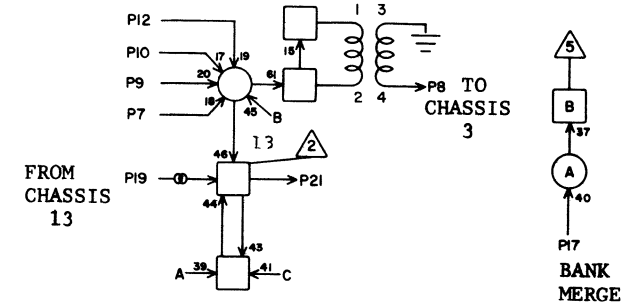
63019200 Rev. V

C

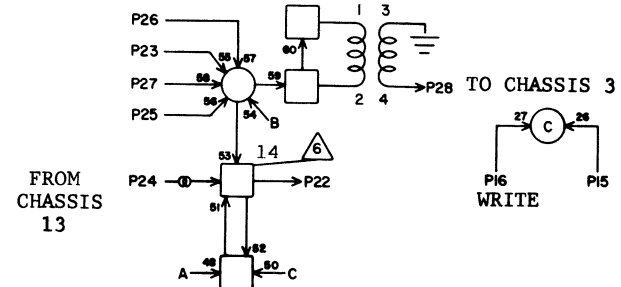
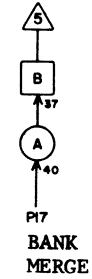
READ-DISTRIBUTE-RESTORE
BIT 12 - BIT 14



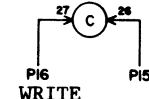
FROM
CHASSIS
13



FROM
CHASSIS
13



FROM
CHASSIS
13



SE

4H6

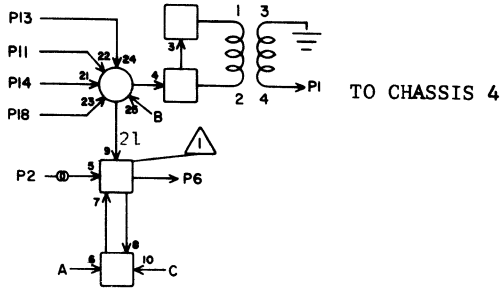
1	W05	902	
2	W03	94	
3			
4			
5			
6	H31	14	27
7	C 7	11	21
8	W05	903	
9	F 7	11	11
10	P 7	11	33
11	C 7	5	23
12	M 7	11	23
13	F 7	5	13
14	M 7	5	21
15	G18	17	15
16	G 9	7	9
17	G17	7	15
18	P 7	5	31
19	W03	95	
20			
21	H31	13	27
22	H31	18	25
23	C 7	19	23
24	W03	96	
25	F 7	19	13
26	M 7	19	21
27	P 7	19	31
28	W05	904	

JACK PIN LG

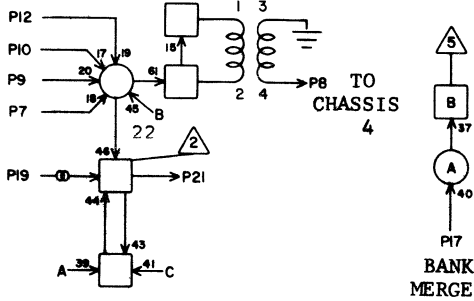
63019200 Rev. C

READ-DISTRIBUTE-RESTORE
BIT 21 - BIT 23

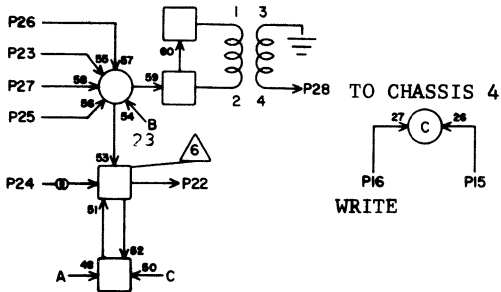
FROM
CHASSIS
14



FROM
CHASSIS
14



FROM
CHASSIS
14



SE 4 H9

1	W39	96	
2	W04	906	
3			
4			
5			
6	H33	13	25
7	F 9	19	21
8	W39	97	
9	F 9	19	11
10	P 9	19	33
11	C 9	11	23
12	M 9	19	23
13	F 9	11	11
14	M 9	11	23
15	G18	20	11
16	G 9	10	7
17	G17	10	11
18	P 9	11	31
19	W04	907	
20			
21	H33	18	25
22	H33	17	25
23	C 9	25	23
24	W04	90	
25	F 9	25	11
26	M 9	25	23
27	P 9	25	33
28	W39	98	

JACK PIN LG

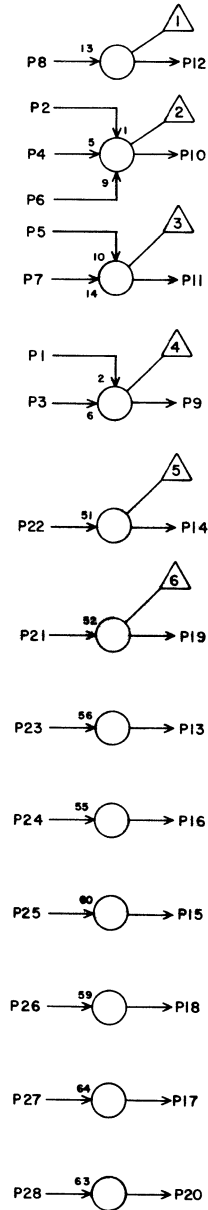
63019200 Rev. C

LS 63064400
ASSY

REV

TL

H10



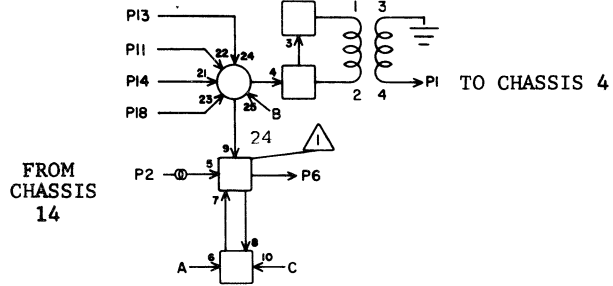
JACK	PIN	LG
1	G08	17 7
2	G08	20 9
3	I19	2 13
4	I19	1 13
5	I19	5 72
6	H10	X 2
7	G08	14 9
8		
9	I06	14 9
10	I13	14 9
11	H15	3 84
12		
13		
14		
15		
16		
17		
18		
19		
20		
21		
22		
23		
24		
25		
26	I07	11 9
27	I07	12 9
28	I07	17 9

CIRCUIT SPECIFICATION 11827600

C

63019200 Rev. V

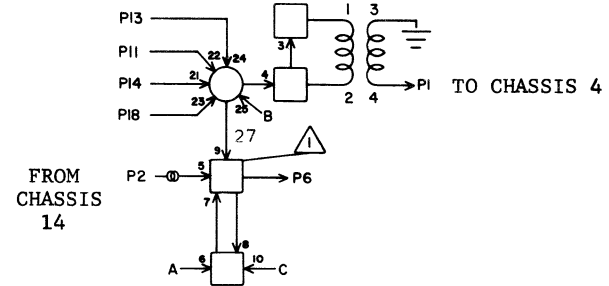
READ-DISTRIBUTE-RESTORE
BIT 24-BIT 26



SE 4H11

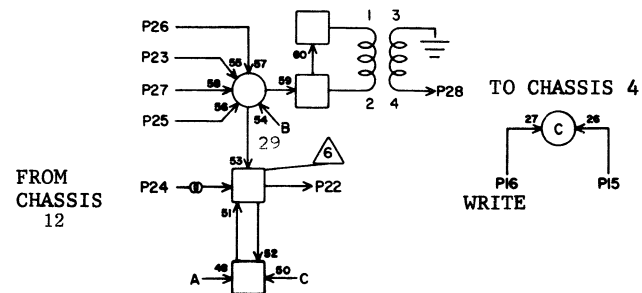
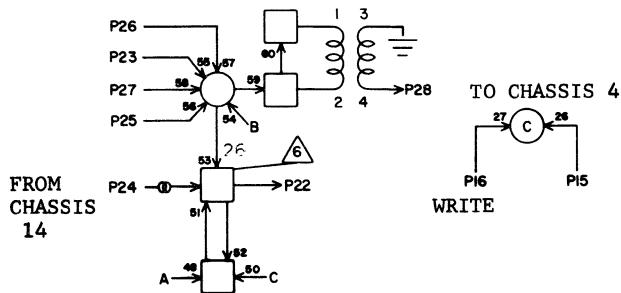
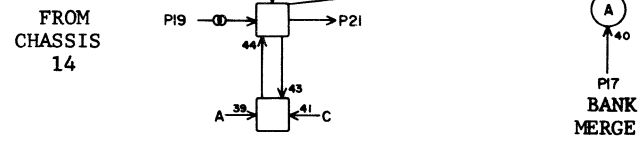
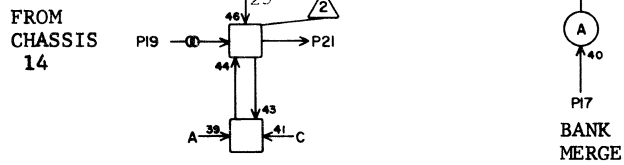
JACK	PIN	LG
1	W39	99
2	W04	91
3		
4		
5		
6	H34	14 25
7	C26	11 25
8	W39	900
9	F26	11 19
10	P26	11 35
11	C26	5 25
12	M26	11 27
13	F26	5 19
14	M26	5 27
15	G18	21 11
16	G 9	11 7
17	G17	3 11
18	P26	5 35
19	W04	92
20		
21	H34	13 25
22	H34	18 25
23	C26	19 25
24	W04	93
25	F26	19 19
26	M26	19 27
27	P26	19 35
28	W39	901

READ-DISTRIBUTE-RESTORE
BIT 27 - BIT 29

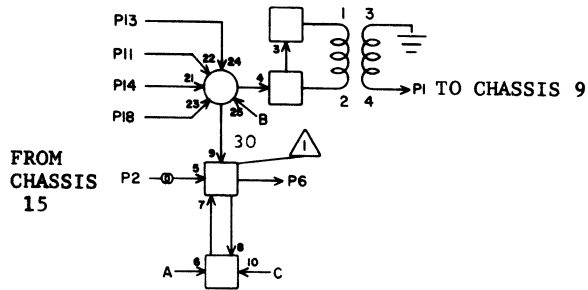


SE 4H12

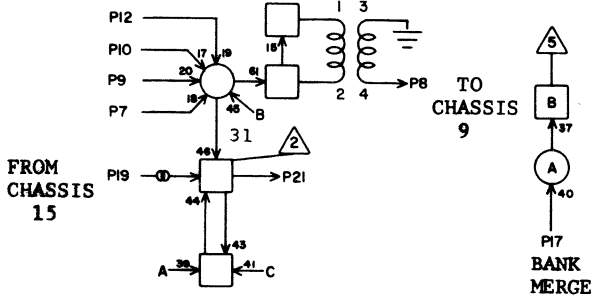
JACK	PIN	LG
1	W39	902
2	W04	94
3		
4		
5		
6	H34	17 25
7	C27	5 27
8	W39	903
9	F27	5 19
10	P27	5 35
11	C26	25 25
12	M27	5 27
13	F26	25 17
14	M26	25 27
15	G18	22 11
16	G 9	12 7
17	G17	12 9
18	P26	25 35
19	W04	95
20		
21	H35	14 23
22	H35	13 25
23	C27	11 27
24	W04	96
25	F27	11 19
26	M27	11 25
27	P27	11 35
28	W39	904



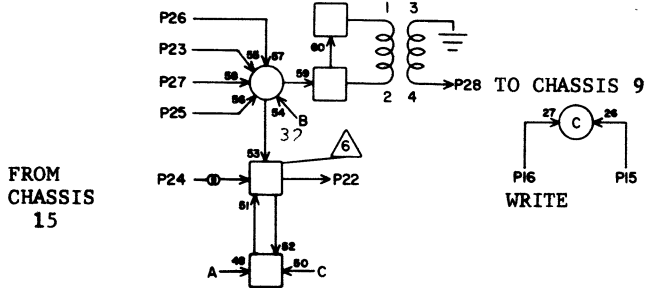
READ-DISTRIBUTE-RESTORE
BIT 30 - BIT 32



FROM
CHASSIS
15



PI7
BANK
MERGE



PI6
WRITE

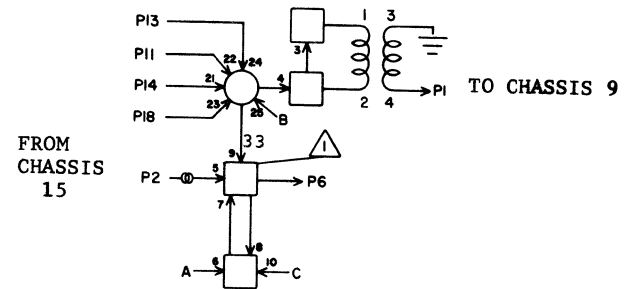
SE 4 H13

1	W08	900	
2	W09	900	
3			
4			
5			
6	H35	18	23
7	C27	25	25
8	W08	901	
9	F27	25	17
10	P27	25	35
11	C27	19	25
12	M27	25	27
13	F27	19	13
14	M27	19	27
15	G18	23	7
16	G 9	17	7
17	G17	17	7
18	P27	19	35
19	W09	901	
20			
21	H35	17	23
22	H36	14	23
23	C28	5	27
24	W09	902	
25	F28	5	19
26	M28	5	25
27	P28	5	33
28	W08	902	

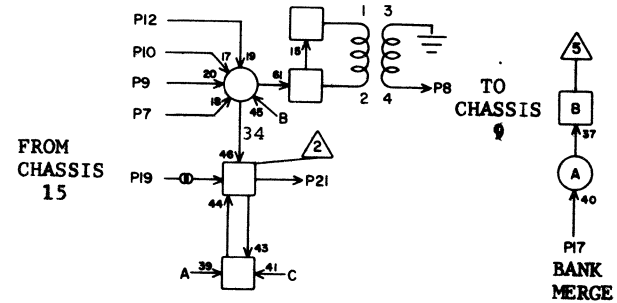
JACK PIN LG

63019200 Rev. C

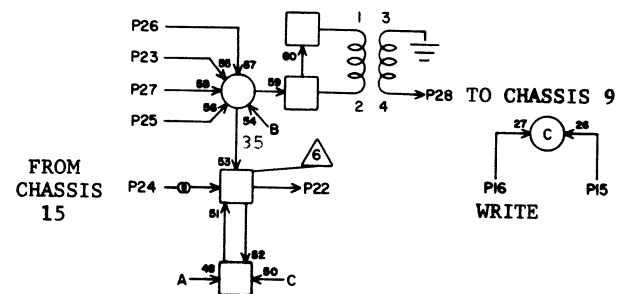
READ-DISTRIBUTE-RESTORE
BIT 33 - BIT 35



FROM
CHASSIS
15



PI7
BANK
MERGE



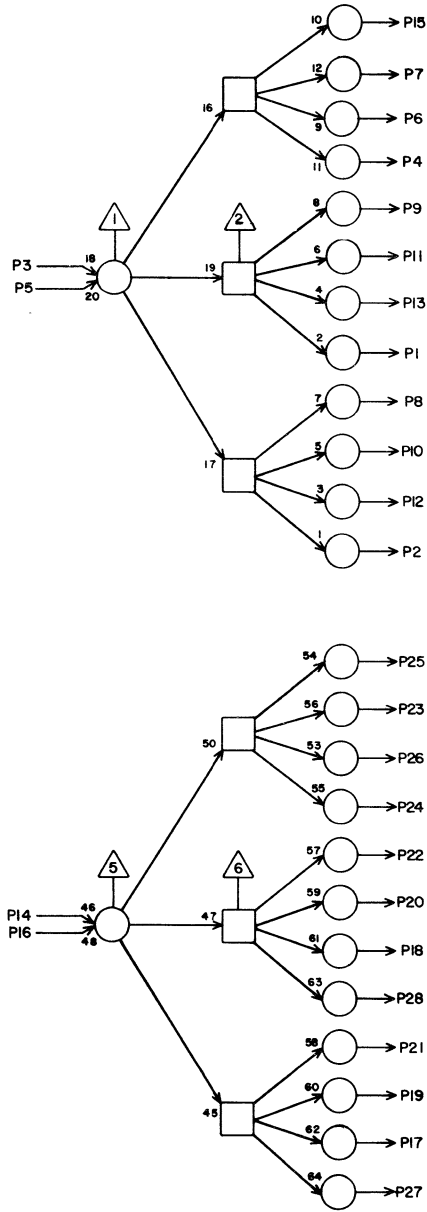
PI6
WRITE

SE 4 H14

1	W08	903	
2	W09	903	
3			
4			
5			
6	H36	13	23
7	C28	19	25
8	W08	904	
9	F28	19	17
10	P28	19	35
11	C28	11	25
12	M28	19	27
13	F28	11	17
14	M28	11	25
15	G18	24	7
16	G 9	18	7
17	G17	18	7
18	P28	11	35
19	W09	904	
20			
21	H36	18	23
22	H36	17	23
23	C28	25	25
24	W09	905	
25	F28	25	17
26	M28	25	27
27	P28	25	35
28	W08	905	

JACK PIN LG

63019200 Rev. C



TC

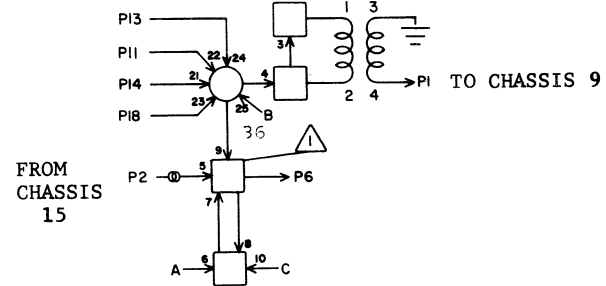
H15

1	I10	4	9
2	I11	4	9
3	H10	11	84
4	I12	4	9
5	H15	X	2
6	I14	4	9
7	I15	4	9
8	I16	4	9
9	I17	4	9
10	I18	4	9
11			
12			
13			
14	G08	10	11
15			
16	H15	X	2
17	I10	27	9
18	I11	27	9
19	I12	27	9
20	I14	27	9
21	I15	27	9
22	I16	27	9
23	I17	27	9
24	I18	27	9
25			
26			
27			
28			

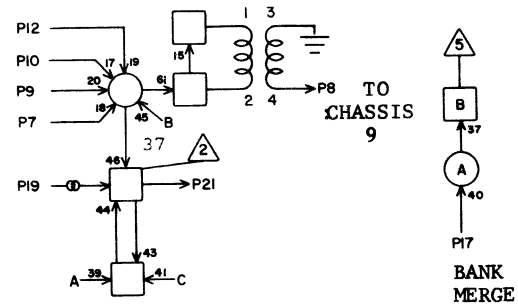
JACK PIN LG
CIRCUIT SPECIFICATION I1827600

C

READ-DISTRIBUTE-RESTORE
BIT 36 - BIT 38

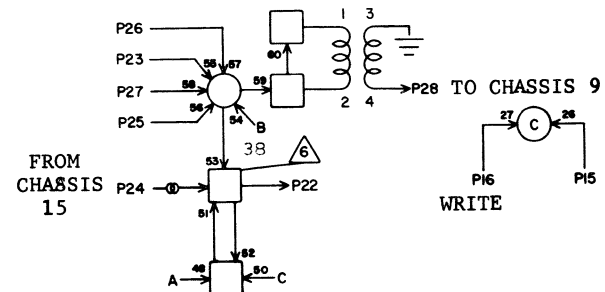


FROM
CHASSIS
15



FROM
CHASSIS
15

BANK
MERGE



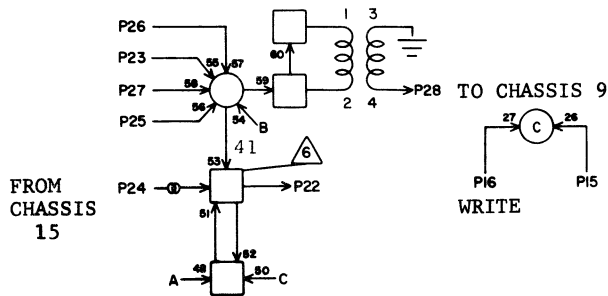
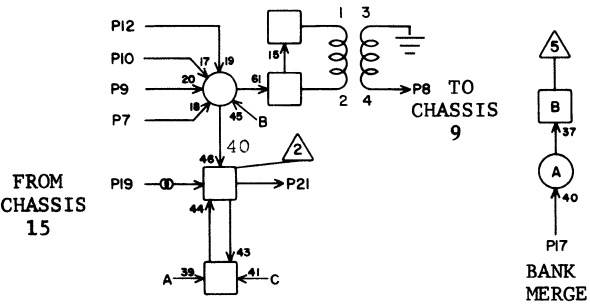
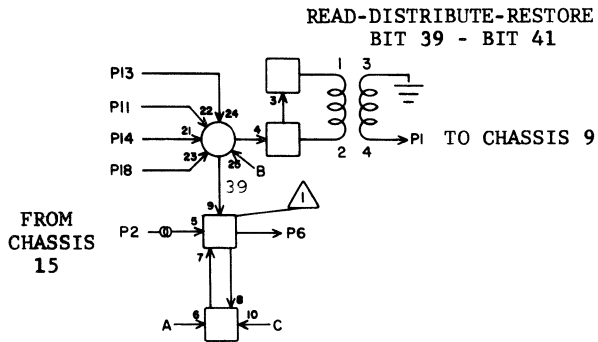
FROM
CHASSIS
15

WRITE

SE 4H16

1	W08	906	
2	W09	906	
3			
4			
5			
6	H37	14	23
7	C32	11	25
8	W08	907	
9	F32	11	19
10	P32	11	37
11	C32	5	25
12	M32	11	27
13	F32	5	19
14	M32	5	27
15	G18	25	7
16	G 9	19	13
17	G17	19	7
18	P32	5	35
19	W09	907	
20			
21	H37	13	23
22	H37	18	23
23	C32	19	25
24	W09	90	
25	F32	19	19
26	M32	19	27
27	P32	19	35
28	W08	90	

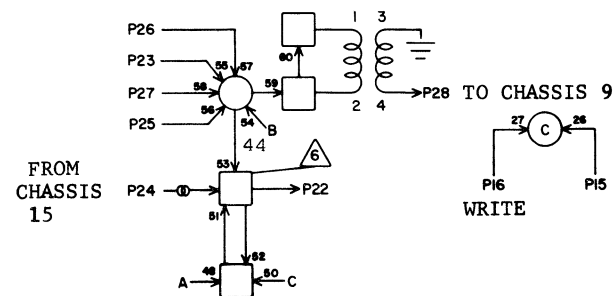
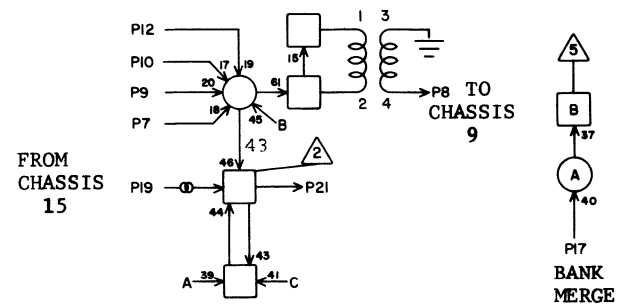
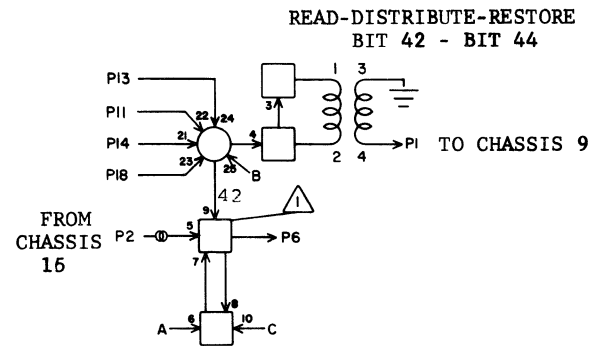
JACK PIN LG



SE 4#17

JACK	PIN	LG
1	W08	91
2	W09	91
3		
4		
5		
6	H37	17 23
7	C33	5 27
8	W08	92
9	F33	5 19
10	P33	5 35
11	C32	25 25
12	M33	5 27
13	F32	25 19
14	M32	25 27
15	G18	26 7
16	G 9	20 13
17	G17	20 7
18	P32	25 35
19	W09	92
20		
21	H38	14 21
22	H38	13 23
23	C33	11 27
24	W09	93
25	F33	11 21
26	M33	11 27
27	P33	11 35
28	W08	93

63019200 Rev. C

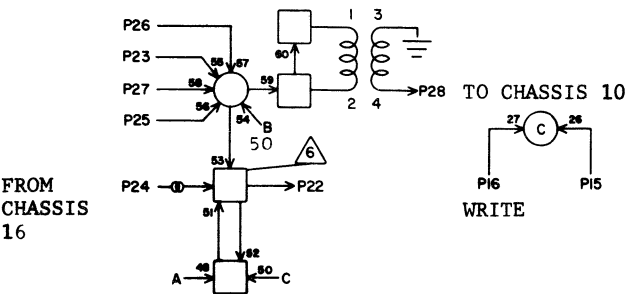
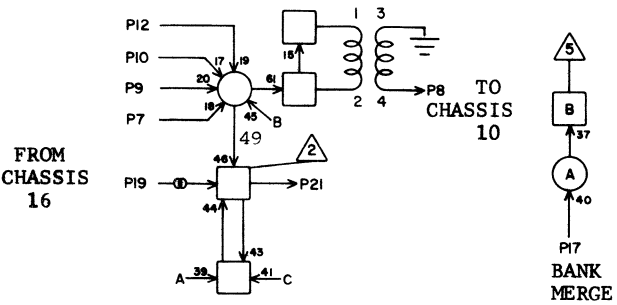
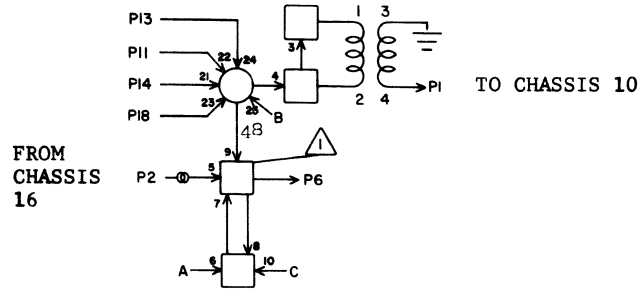


SE 4#18

JACK	PIN	LG
1	W08	94
2	W09	94
3		
4		
5		
6	H38	18 23
7	C33	25 27
8	W08	95
9	F33	25 19
10	P33	25 37
11	C33	19 27
12	M33	25 27
13	F33	19 29
14	M33	19 27
15	G18	27 7
16	G 9	21 13
17	G17	21 7
18	P33	19 35
19	W09	95
20		
21	H38	17 23
22	H39	14 23
23	C34	5 29
24	W09	96
25	F34	5 21
26	M34	5 25
27	P34	5 35
28	W08	96

63019200 Rev. C

READ-DISTRIBUTE-RESTORE
BIT 48 - BIT 50



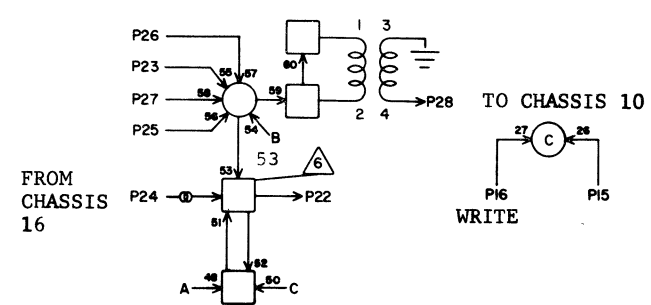
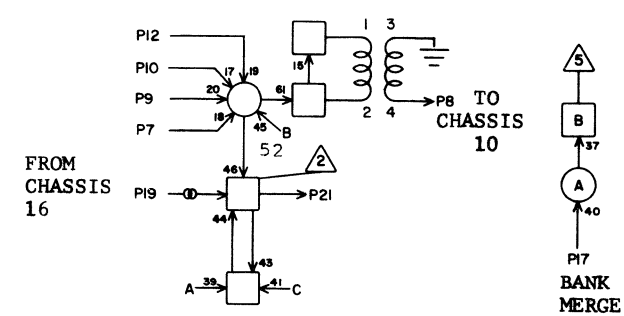
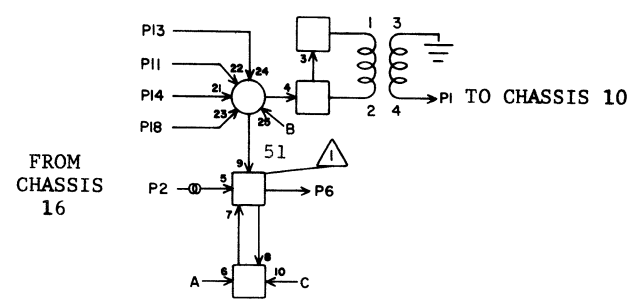
SE 4 H21

1	W11	903	
2	W10	903	
3			
4			
5			
6	H40	14	21
7	C38	11	27
8	W11	904	
9	F38	11	21
10	P38	11	37
11	C38	5	27
12	M38	11	27
13	F38	5	21
14	M38	5	27
15	H27	21	11
16	G 9	23	15
17	G17	23	7
18	P38	5	35
19	W10	904	
20			
21	H40	13	21
22	H40	18	21
23	C38	19	27
24	W10	905	
25	F38	19	21
26	M38	19	27
27	P38	19	35
28	W11	905	

JACK PIN LG

63019200 Rev. C

READ-DISTRIBUTE-RESTORE
BIT 51 - BIT 53



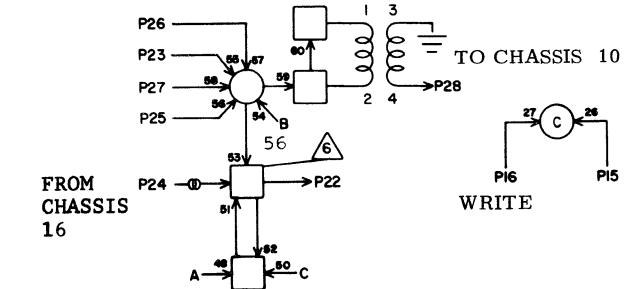
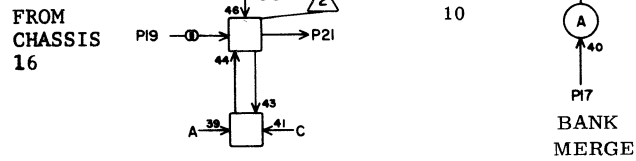
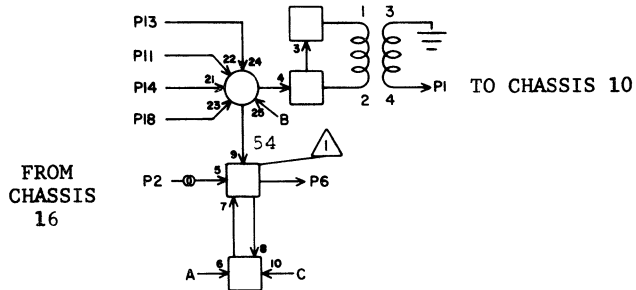
SE 4 H22

1	W11	906	
2	W10	906	
3			
4			
5			
6	H40	17	21
7	C39	5	27
8	W11	907	
9	F39	5	21
10	P39	5	33
11	C38	25	25
12	M39	5	27
13	F38	25	19
14	M38	25	27
15	H27	22	11
16	G 9	24	15
17	G17	24	11
18	P38	25	37
19	W10	907	
20			
21	H41	14	19
22	H41	13	21
23	C39	11	27
24	W10	90	
25	F39	11	21
26	M39	11	27
27	P39	11	35
28	W11	90	

JACK PIN LG

63019200 Rev. C

READ-DISTRIBUTE-RESTORE
BIT 54 - BIT 56



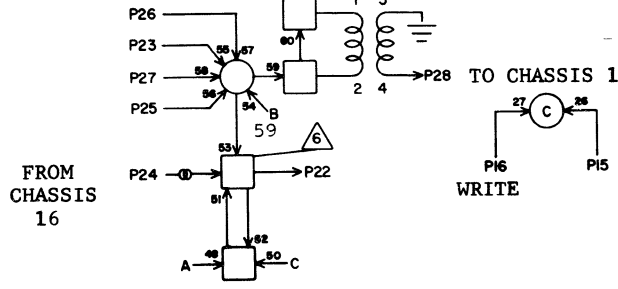
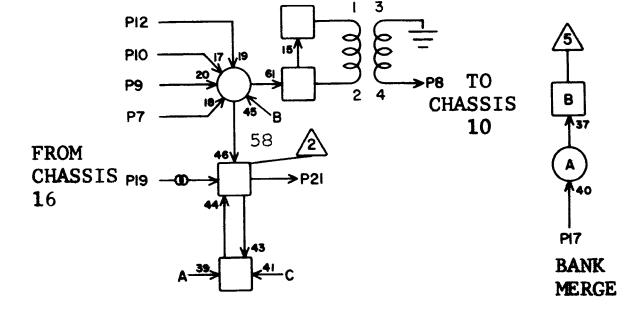
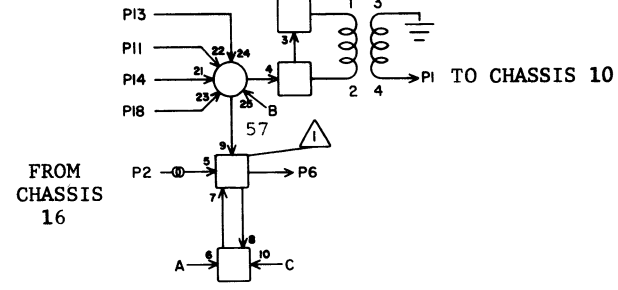
SE 4 H23

1	W11	91	
2	W10	91	
3			
4			
5			
6	H41	18	21
7	C39	25	25
8	W11	92	
9	F39	25	19
10	P39	25	37
11	C39	19	27
12	M39	25	27
13	F39	19	21
14	M39	19	27
15	H27	23	11
16	G 9	14	17
17	G17	25	11
18	P39	19	35
19	W10	92	
20			
21	H41	17	21
22	H42	14	21
23	C40	5	27
24	W10	93	
25	F40	5	23
26	M40	5	27
27	P40	5	35
28	W11	93	

JACK PIN LG

63019200 Rev. C

READ-DISTRIBUTE-RESTORE
BIT 57 - BIT 59

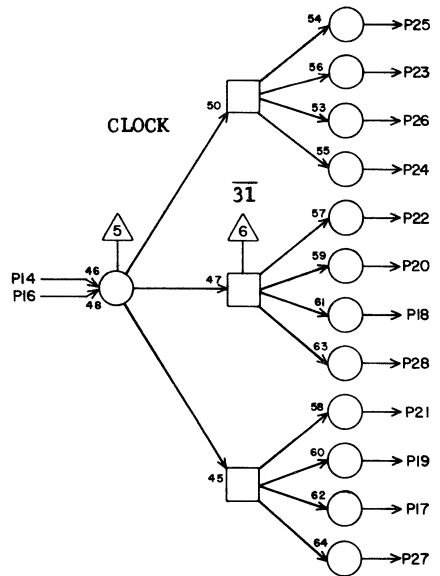
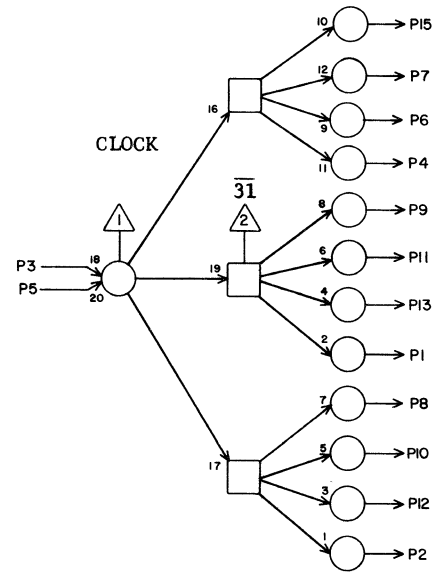


SE 4 H24

1	W11	94	
2	W10	94	
3			
4			
5			
6	H42	13	21
7	C40	19	27
8	W11	95	
9	F40	19	19
10	P40	19	37
11	C40	11	27
12	M40	19	27
13	F40	11	21
14	M40	11	27
15	H27	24	9
16	G 9	16	17
17	G17	26	11
18	P40	11	35
19	W10	95	
20			
21	H42	18	19
22	H42	17	19
23	C40	25	27
24	W10	96	
25	F40	25	21
26	M40	25	27
27	P40	25	35
28	W11	96	

JACK PIN LG

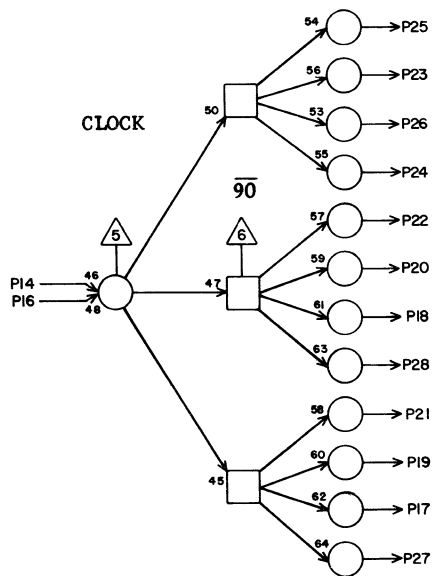
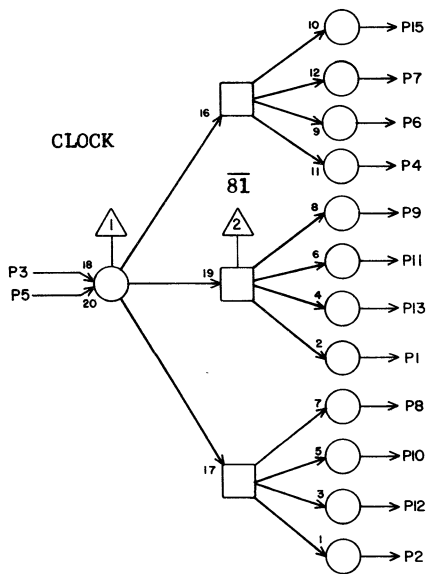
63019200 Rev. C



TC 4 H26

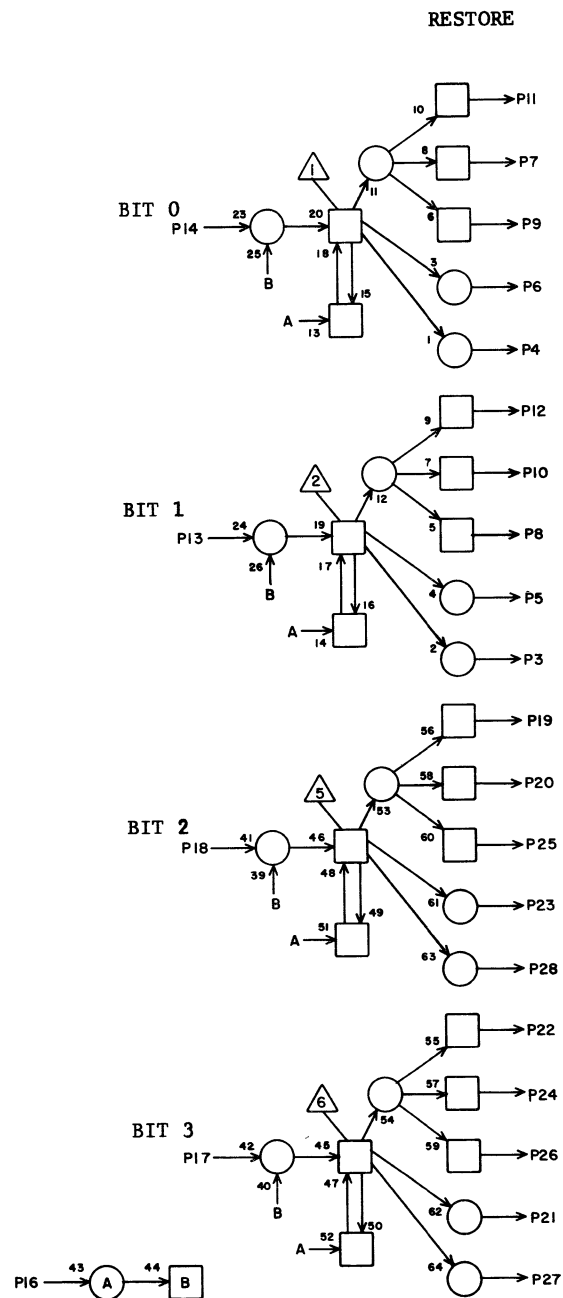
1	H28	16	5
2	H29	16	5
3	G10	2	37
4	H31	16	7
5	H26	X	2
6	H33	16	9
7			
8	H36	16	11
9	H37	16	11
10	H39	16	13
11	H40	16	15
12	H42	16	17
13			
14	G10	4	39
15			
16	H26	X	2
17	H30	16	7
18			
19	H32	16	7
20	H34	16	9
21	H35	16	11
22			
23	H38	16	13
24			
25	H41	16	17
26			
27			
28			

JACK PIN LG



TC			
4 H27			
1	G24	15	7
2	G25	15	7
3	G11	7	37
4	G26	15	7
5	H27	X	2
6	G28	15	7
7	G29	15	7
8	G30	15	7
9	G32	15	11
10	G33	15	11
11	G34	15	11
12	G36	15	15
13	G37	15	15
14	G11	8	37
15	G38	15	15
16	H27	X	2
17			
18			
19			
20	I22	7	7
21	H21	15	11
22	H22	15	11
23	H23	15	11
24	H24	15	9
25	H 1	15	25
26	H 2	15	25
27	H 3	15	25
28	H 4	15	23
	JACK	PIN	LG

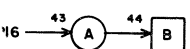
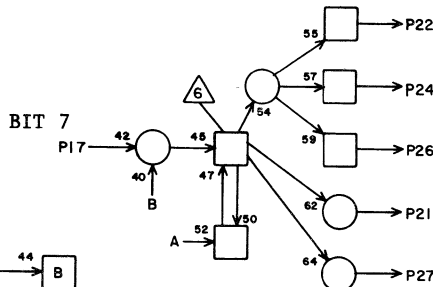
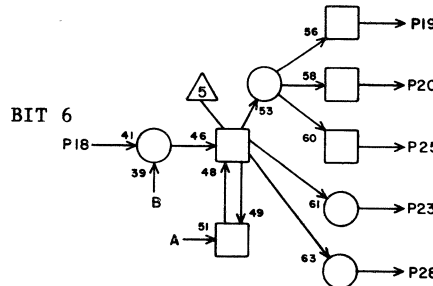
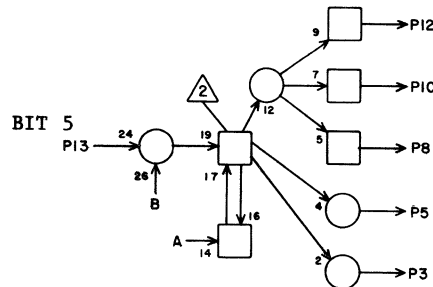
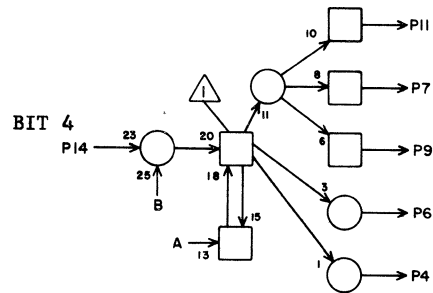
63019200 Rev. M



PD			
4 H28			
1			
2			
3			
4	G24	12	9
5	G24	13	9
6			
7			
8			
9			
10			
11			
12			
13	H 1	21	27
14	H 1	6	29
15			
16	H26	1	5
17	H 2	6	27
18	H 1	22	29
19			
20			
21			
22			
23			
24			
25			
26			
27	G24	19	9
28	G24	16	9
	JACK	PIN	LG

63019200 Rev. C

RESTORE



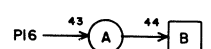
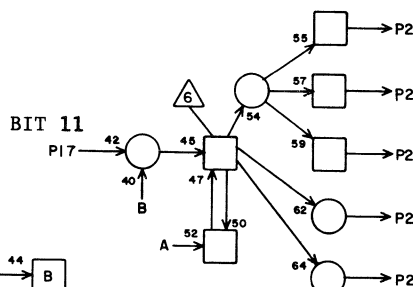
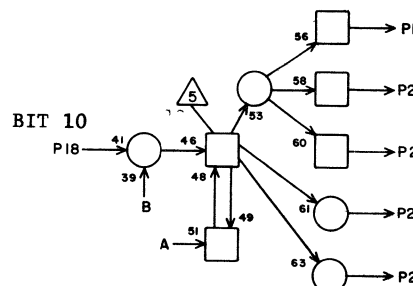
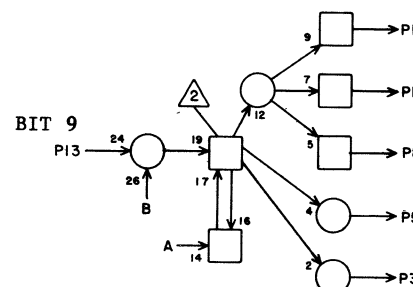
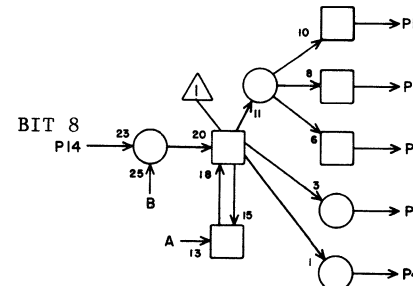
PD 4H29

1			
2			
3			
4	G25	12	9
5	G25	13	9
6			
7			
8			
9			
10			
11			
12			
13	H 2	22	27
14	H 2	21	27
15			
16	H26	2	5
17	H 3	21	27
18	H 3	6	27
19			
20			
21			
22			
23			
24			
25			
26			
27	G25	19	9
28	G25	16	9

JACK PIN LG

63019200 Rev. C

RESTORE



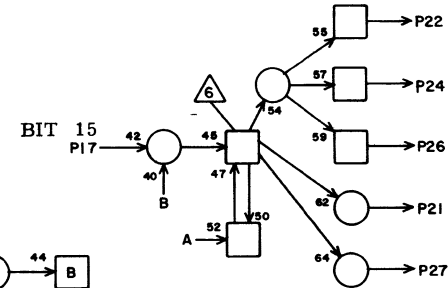
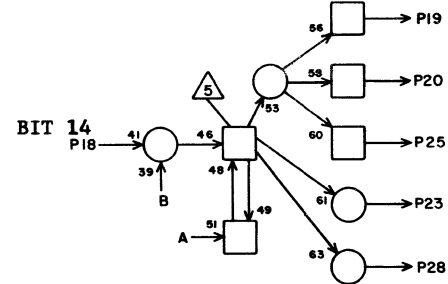
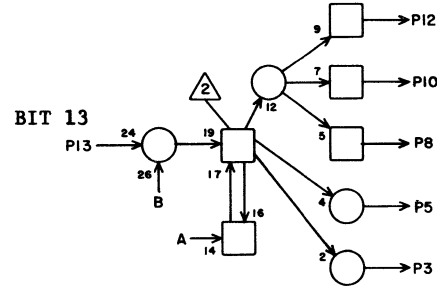
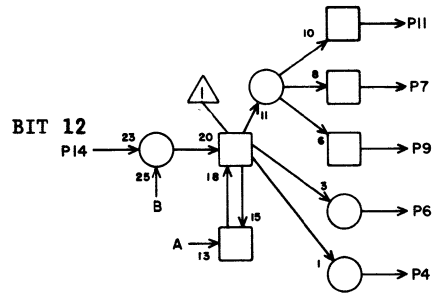
PD 4H30

1			
2			
3			
4	G26	12	9
5	G26	13	9
6			
7			
8			
9			
10			
11			
12			
13	H 4	6	27
14	H 3	22	27
15			
16	H26	17	7
17	H 4	22	27
18	H 4	21	25
19			
20			
21			
22			
23			
24			
25			
26			
27	G26	19	9
28	G26	16	9

JACK PIN LG

63019200 Rev. C

RESTORE



PD

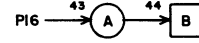
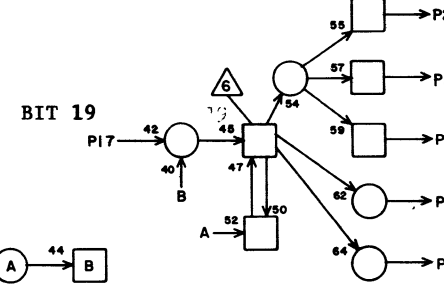
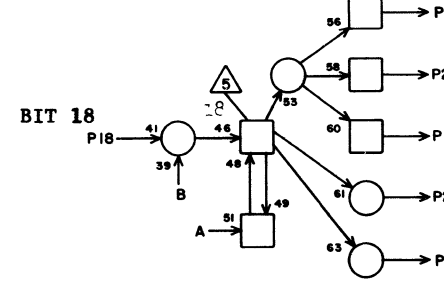
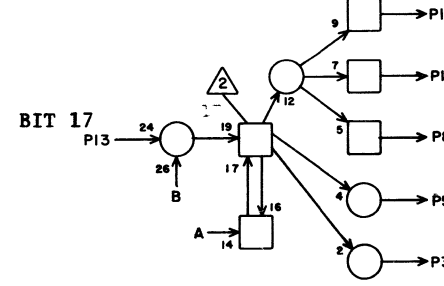
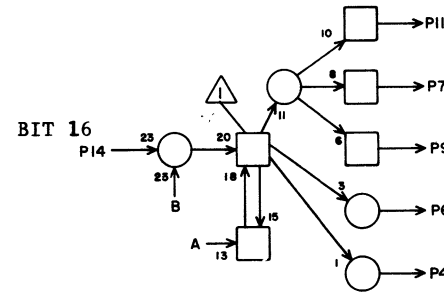
4 H31

1			
2			
3			
4	G28	12	9
5	G28	13	9
6			
7			
8			
9			
10			
11			
12			
13	H 6	21	27
14	H 6	6	27
15			
16	H26	4	7
17	H 7	6	25
18	H 6	22	25
19			
20			
21			
22			
23			
24			
25			
26			
27	G28	19	9
28	G28	16	9

JACK PIN LG

63019200 Rev. C

RESTORE



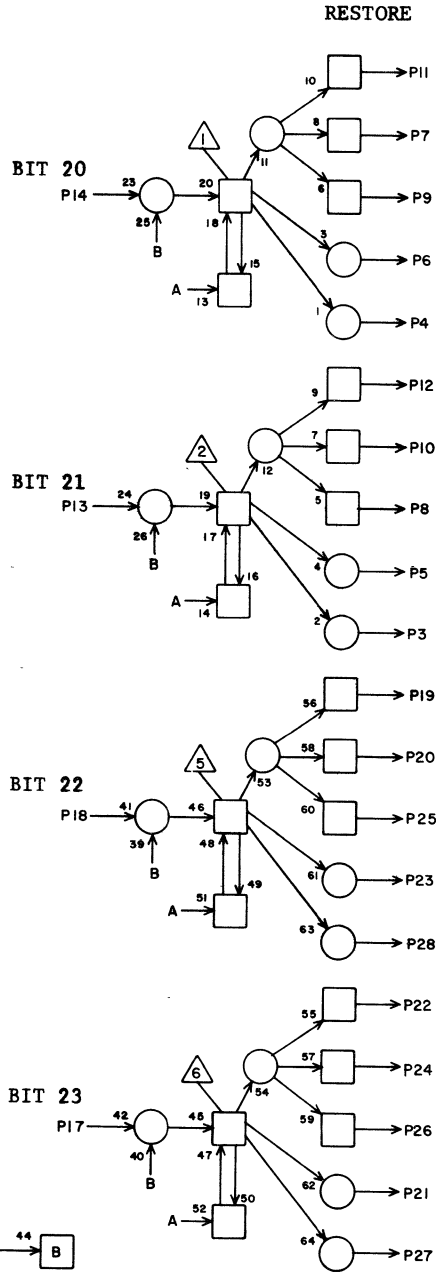
PD

4 H32

1			
2			
3			
4	G29	12	9
5	G29	13	9
6			
7			
8			
9			
10			
11			
12			
13	H 7	22	25
14	H 7	21	25
15			
16	H26	19	7
17	H 8	21	25
18	H 8	6	25
19			
20			
21			
22			
23			
24			
25			
26			
27	G29	19	9
28	G29	16	9

JACK PIN LG

63019200 Rev. C

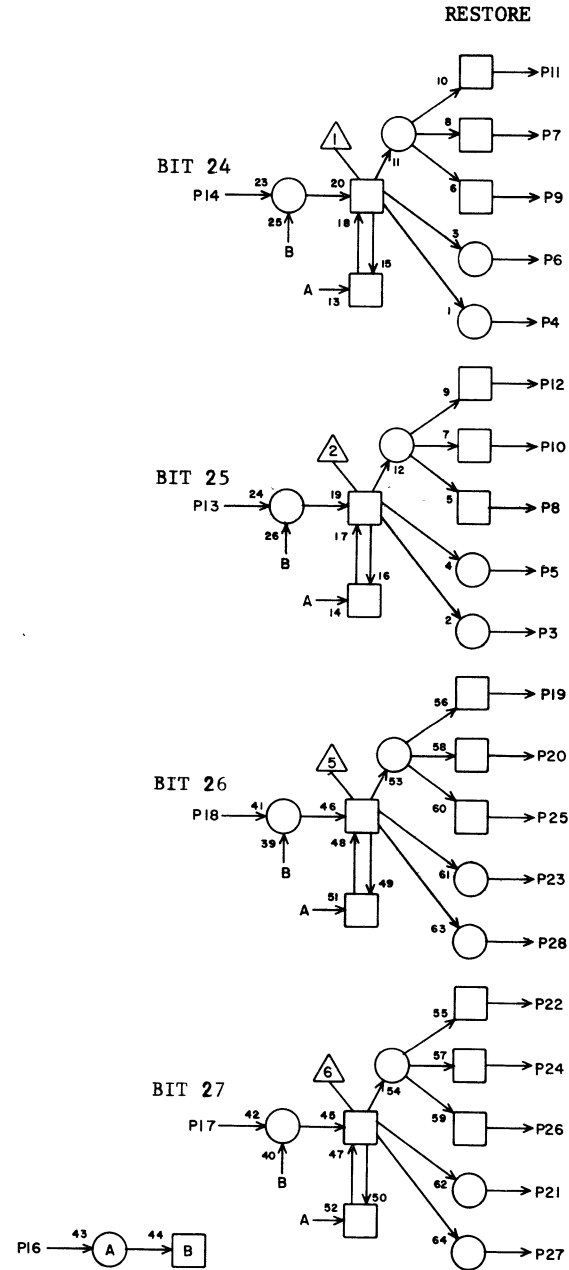


PD 4 H33

1			
2			
3			
4	G30	12	9
5	G30	13	9
6			
7			
8			
9			
10			
11			
12			
13	H 9	6	25
14	H 8	22	25
15			
16	H26	6	9
17	H 9	22	25
18	H 9	21	25
19			
20			
21			
22			
23			
24			
25			
26			
27	G30	19	9
28	G30	16	9

JACK PIN LG

63019200 Rev. C



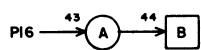
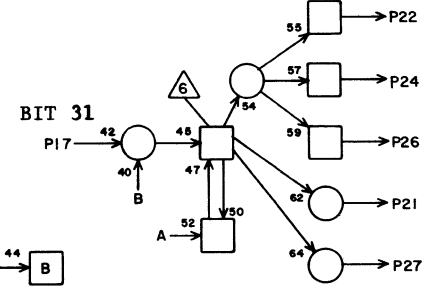
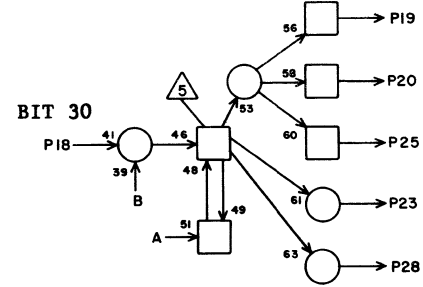
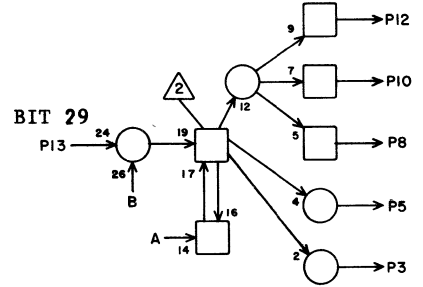
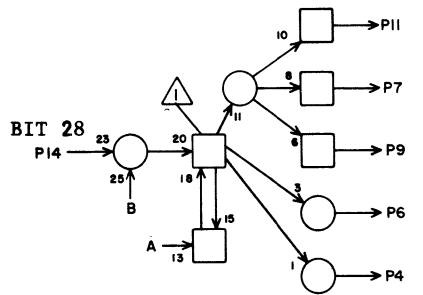
PD 4 H34

1			
2			
3			
4	G32	12	7
5	G32	13	7
6			
7			
8			
9			
10			
11			
12			
13	H11	21	25
14	H11	6	25
15			
16	H26	20	9
17	H12	6	25
18	H11	22	25
19			
20			
21			
22			
23			
24			
25			
26			
27	G32	19	7
28	G32	16	7

JACK PIN LG

63019200 Rev. C

RESTORE



PD

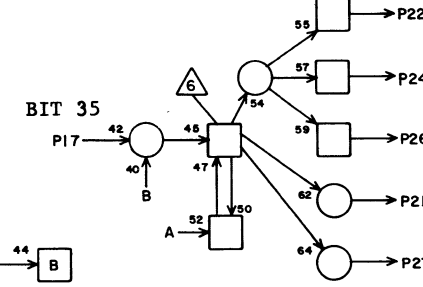
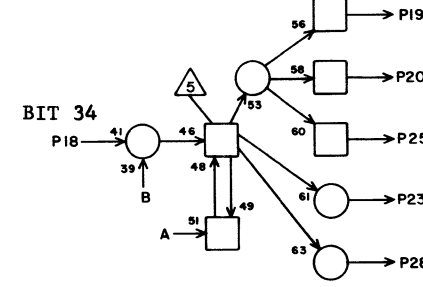
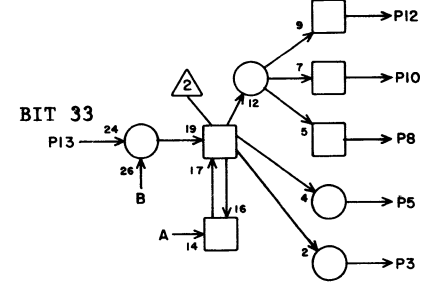
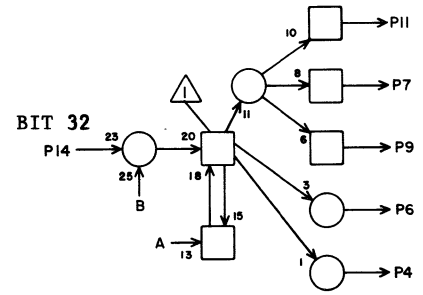
4 H35

1			
2			
3			
4	G33	12	7
5	G33	13	9
6			
7			
8			
9			
10			
11			
12			
13	H12	22	25
14	H12	21	23
15			
16	H26	21	11
17	H13	21	23
18	H13	6	23
19			
20			
21			
22			
23			
24			
25			
26			
27	G33	19	9
28	G33	16	7

JACK PIN LG

63019200 Rev. C

RESTORE



PD

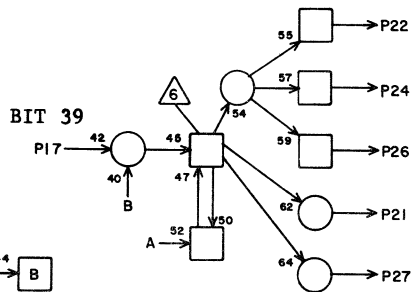
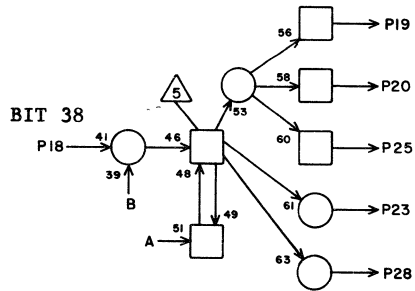
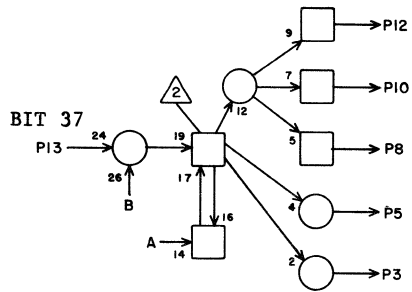
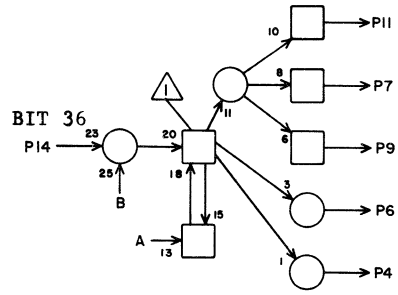
4H36

1			
2			
3			
4	G34	12	9
5	G34	13	9
6			
7			
8			
9			
10			
11			
12			
13	H14	6	23
14	H13	22	23
15			
16	H26	8	11
17	H14	22	23
18	H14	21	23
19			
20			
21			
22			
23			
24			
25			
26			
27	G34	19	9
28	G34	16	9

JACK PIN LG

63019200 Rev. C

RESTORE



PD

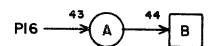
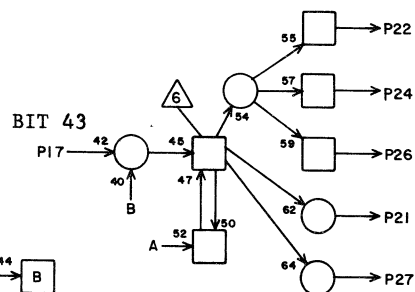
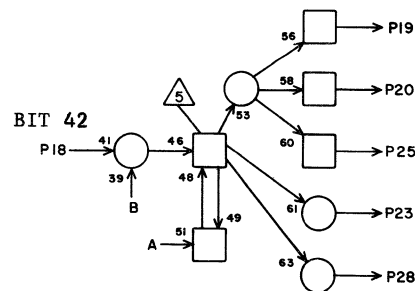
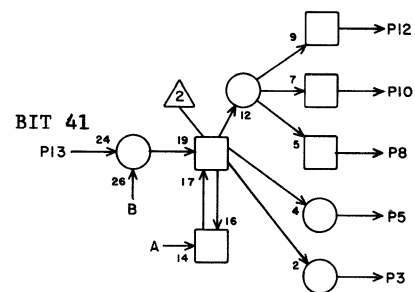
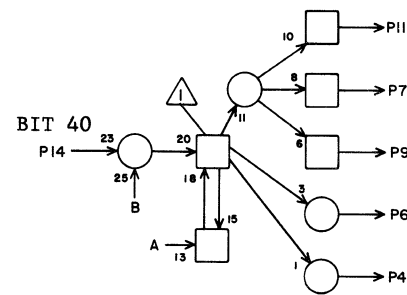
4 H37

1			
2			
3			
4	G36	12	7
5	G36	13	7
6			
7			
8			
9			
10			
11			
12			
13	H16	21	23
14	H16	6	23
15			
16	H26	9	11
17	H17	6	23
18	H16	22	23
19			
20			
21			
22			
23			
24			
25			
26			
27	G36	19	7
28	G36	16	7

JACK PIN LG

63019200 Rev. C

RESTORE



PD

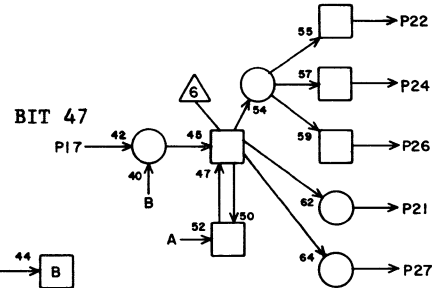
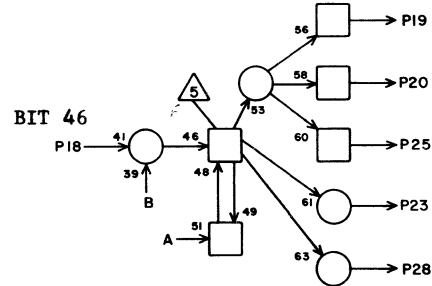
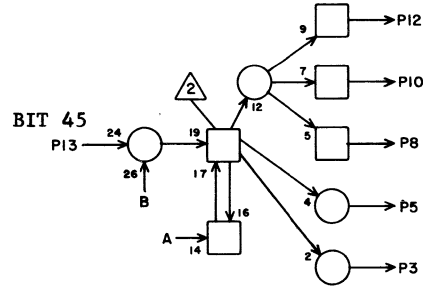
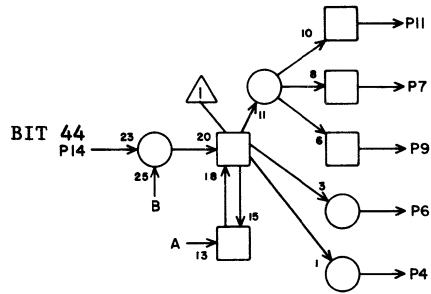
4 H38

1			
2			
3			
4	G37	12	9
5	G37	13	9
6			
7			
8			
9			
10			
11			
12			
13	H17	22	23
14	H17	21	23
15			
16	H26	23	13
17	H18	21	23
18	H18	6	23
19			
20			
21			
22			
23			
24			
25			
26			
27	G37	19	7
28	G37	16	7

JACK PIN LG

63019200 Rev. C

RESTORE



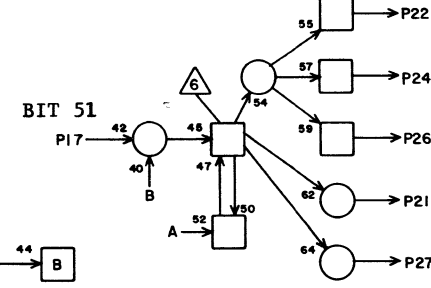
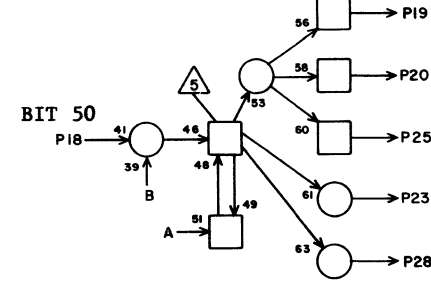
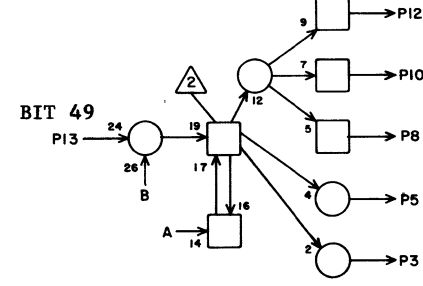
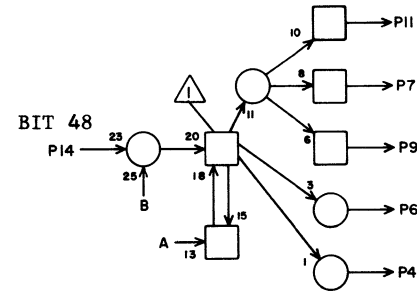
PD

4H39

1			
2			
3			
4	G38	12	7
5	G38	13	7
6			
7			
8			
9			
10			
11			
12			
13	H19	6	21
14	H18	22	23
15			
16	H26	10	13
17	H 19	22	21
18	H19	21	21
19			
20			
21			
22			
23			
24			
25			
26			
27	G38	19	7
28	G38	16	7

JACK PIN LG
63019200 Rev. C

RESTORE



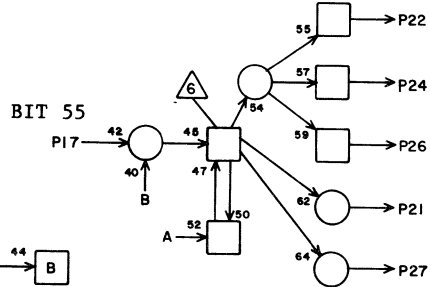
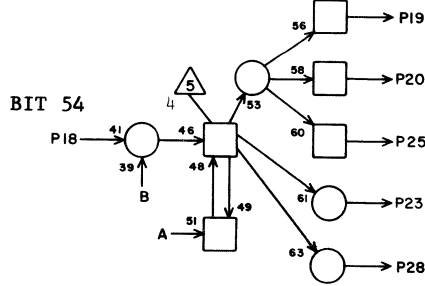
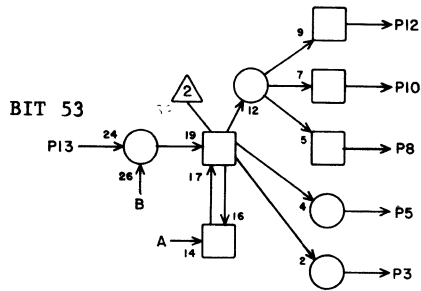
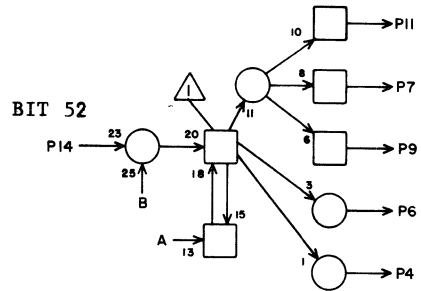
PD

4H40

1			
2			
3			
4	G40	12	7
5	G40	13	7
6			
7			
8			
9			
10			
11			
12			
13	H21	21	21
14	H21	6	21
15			
16	H26	11	15
17	H22	6	21
18	H21	22	21
19			
20			
21			
22			
23			
24			
25			
26			
27	G40	19	7
28	G40	16	7

JACK PIN LG
63019200 Rev. C

RESTORE



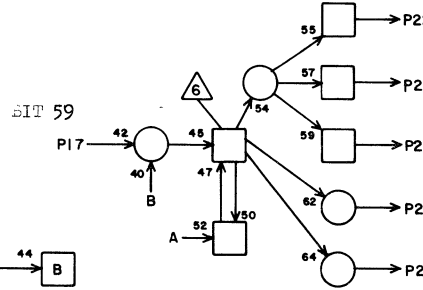
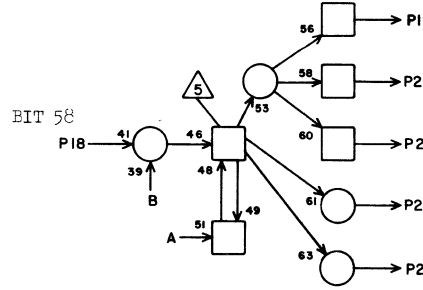
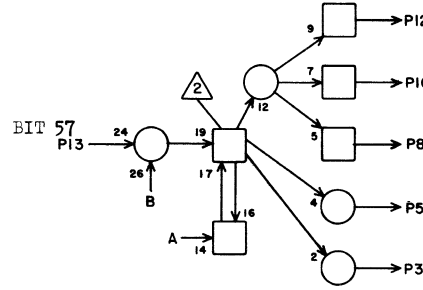
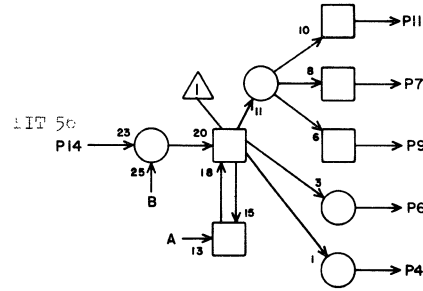
PD 4 H41

1			
2			
3			
4	G41	12	9
5	G41	13	9
6			
7			
8			
9			
10			
11			
12			
13	H22	22	21
14	H22	21	19
15			
16	H26	25	17
17	H23	21	21
18	H23	6	21
19			
20			
21			
22			
23			
24			
25			
26			
27	G41	19	9
28	G41	16	9

JACK PIN LG

63019200 Rev. C

PD 4 H42



1			
2			
3			
4	G42	12	9
5	G42	13	9
6			
7			
8			
9			
10			
11			
12			
13	H24	6	21
14	H23	22	21
15			
16	H26	12	17
17	H24	22	9
18	H24	21	9
19			
20			
21			
22			
23			
24			
25			
26			
27	G42	19	9
28	G42	16	9

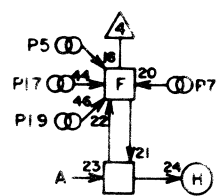
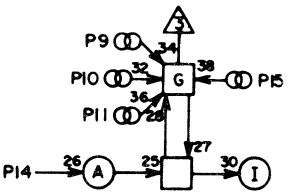
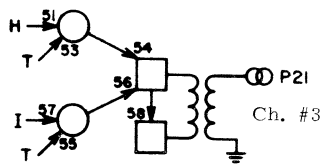
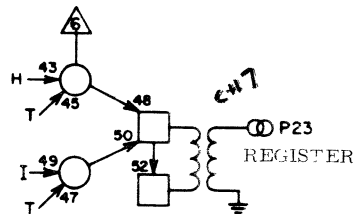
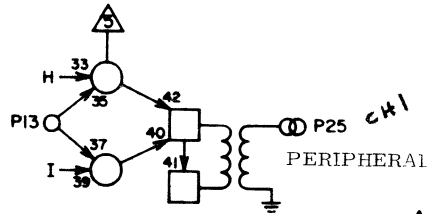
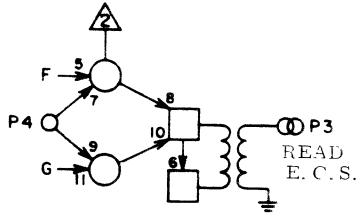
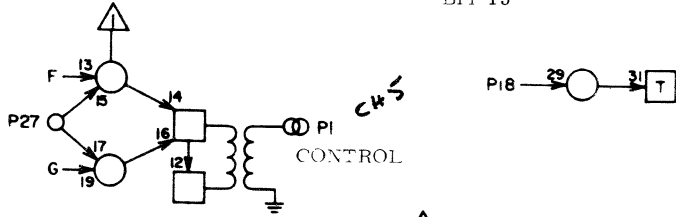
JACK PIN LG

63019200 Rev. C

LS 18058700
ASSY REV

READ DISTRIBUTOR SJ
BIT 15

4101



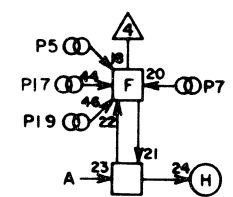
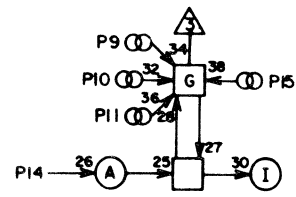
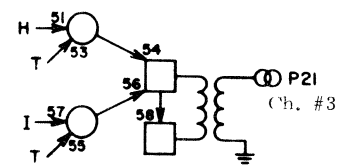
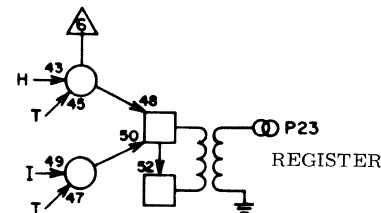
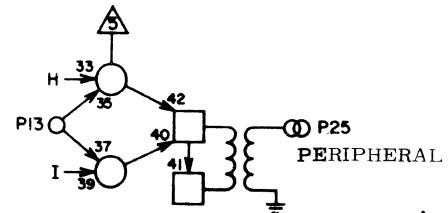
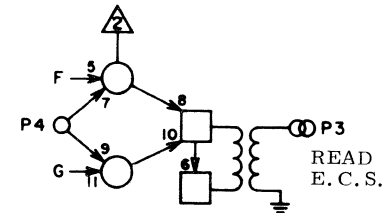
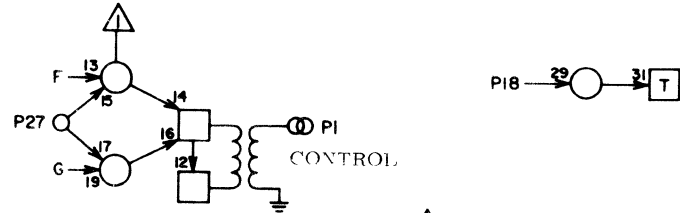
1	W14	904	
2			
3			
4	H05	1	9
5	W06	900	
6			
7	W12	900	
8			
9	W13	900	
10	W23	900	
11	W15	900	
12			
13	I06	25	7
14	I06	15	7
15	W17	900	
16			
17	W39	90	
18	I07	21	9
19	W16	900	
20			
21			
22			
23	W18	900	
24			
25	W07	90	
26			
27	H05	17	9
28			

JACK PIN LG
SEE CIRCUIT SPECIFICATION
11827600
63019200 Rev. D

LS 18058700
ASSY REV

BIT 16 SJ

4102



1	W14	905	
2			
3			
4	H05	2	9
5	W06	901	
6			
7	W12	901	
8			
9	W13	901	
10	W23	901	
11	W15	901	
12			
13	I06	23	7
14	I06	7	7
15	W17	901	
16			
17	W39	91	
18	I07	7	9
19	W16	901	
20			
21			
22			
23	W18	901	
24			
25	W07	91	
26			
27	H05	18	9
28			

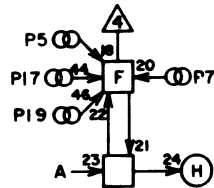
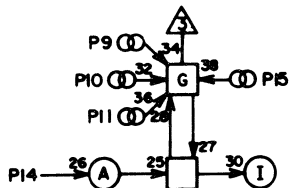
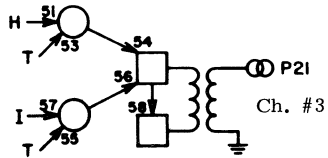
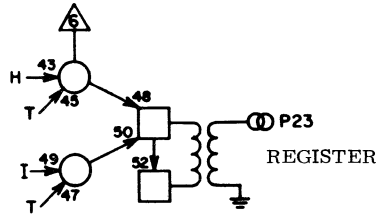
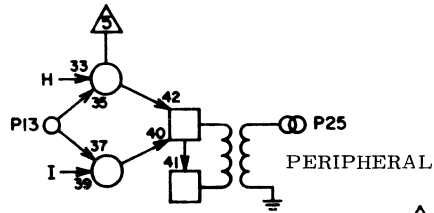
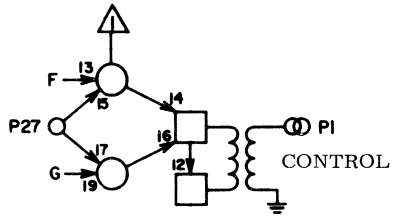
JACK PIN LG
SEE CIRCUIT SPECIFICATION
11827600
63019200 Rev. D

LS 18058700
ASSY REV

SJ

4I03

BIT 17



1	W14	906	
2			
3			
4	H05	4	9
5	W06	902	
6			
7	W12	902	
8			
9	W13	902	
10	W23	902	
11	W15	902	
12			
13	I06	26	7
14	I06	6	7
15	W17	902	
16			
17	W39	92	
18	I07	6	7
19	W16	902	
20			
21			
22			
23	W18	902	
24			
25	W07	92	
26			
27	H05	19	9
28			

JACK PIN LG
SEE CIRCUIT SPECIFICATION
11827600

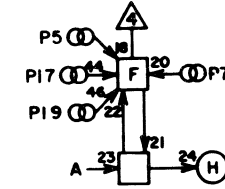
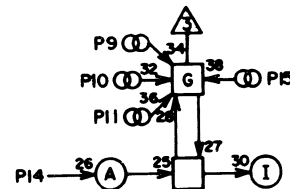
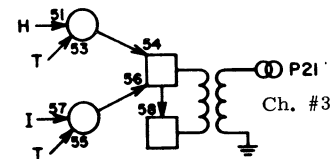
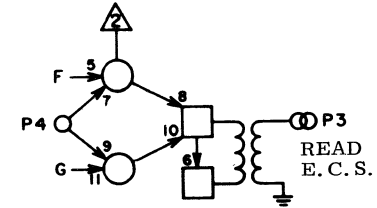
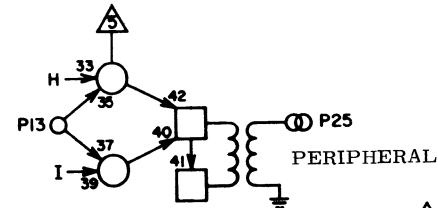
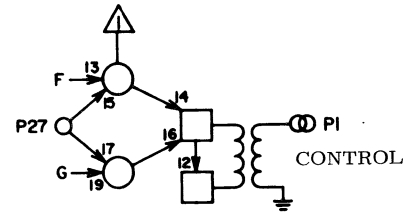
63019200 Rev. D

LS 18058700
ASSY REV

BIT 18

SJ

4I04



1	W14	907	
2			
3			
4	H05	6	9
5	W06	903	
6			
7	W12	903	
8			
9	W13	903	
10	W23	903	
11	W15	903	
12			
13	I06	24	7
14	I06	4	7
15	W17	903	
16			
17	W39	93	
18	I07	4	7
19	W16	903	
20			
21			
22			
23	W18	903	
24			
25	W07	93	
26			
27	H05	20	9
28			

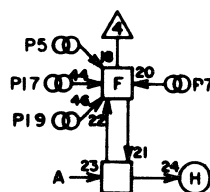
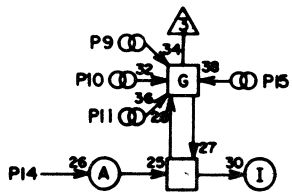
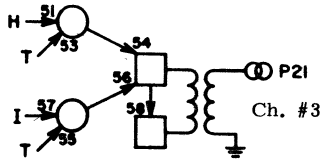
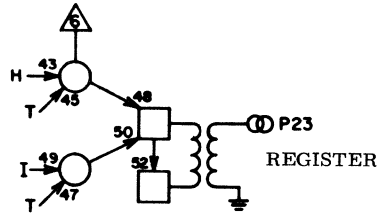
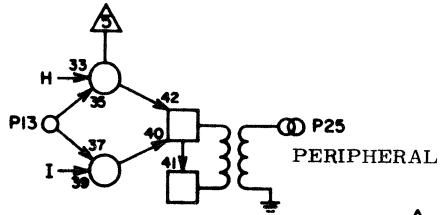
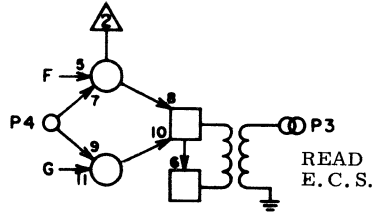
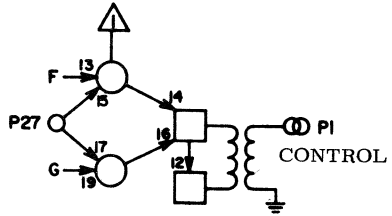
JACK PIN LG
SEE CIRCUIT SPECIFICATION
11827600

63019200 Rev. D

LS 18058700
ASSY REV

BIT 19 SJ

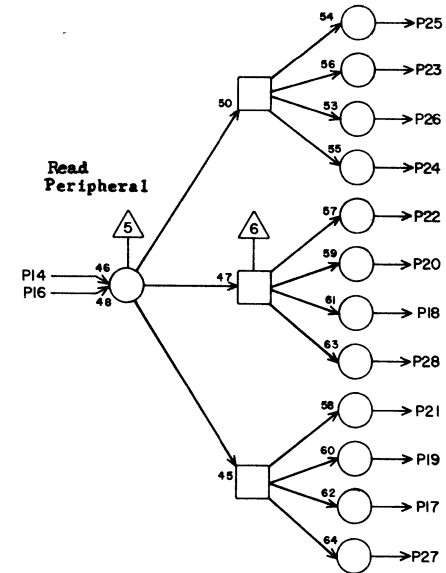
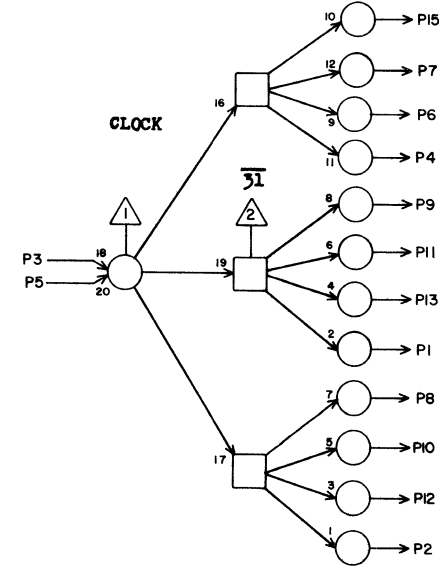
4I05



1	W14	900	
2			
3			
4	H05	7	9
5	W06	904	
6			
7	W12	904	
8			
9	W13	904	
10	W23	904	
11	W15	904	
12			
13	I06	22	7
14	I06	9	5
15	W17	904	
16			
17	W39	94	
18	I07	9	7
19	W16	904	
20			
21			
22			
23	W18	904	
24			
25	W07	94	
26			
27	H05	21	9
28			

JACK PIN LG
SEE CIRCUIT SPECIFICATION
11827600

63019200 Rev D



TC 4I06

1	I10	14	7
2	I22	20	17
3	G10	25	72
4	I04	14	7
5	I 6	X	2
6	I03	14	7
7	I02	14	7
8	I11	14	9
9	I05	14	5
10	I12	14	9
11	I08	14	7
12			
13	I09	14	7
14	H10	9	9
15	I01	14	7
16	I 6	X	2
17			
18	I09	13	7
19	I12	13	9
20	I08	13	7
21	I11	13	7
22	I05	13	7
23	I02	13	7
24	I04	13	7
25	I01	13	7
26	I03	13	7
27			
28	I10	28	7

JACK PIN LG

63019200 Rev. V

LS 630532
ASSY

6
REV

KL

4I07

LS 18058700
ASSY

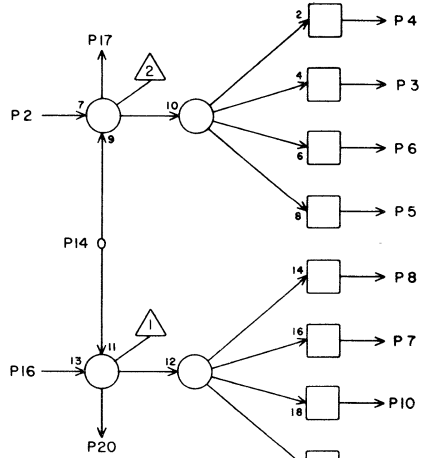
REV

BIT 20

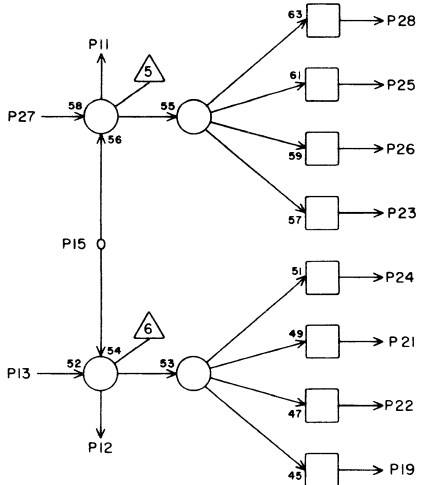
SJ

4I08

CLOCK



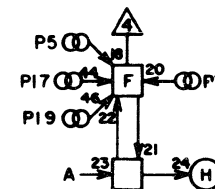
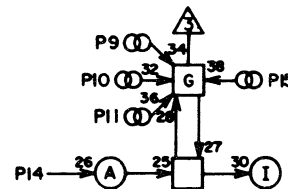
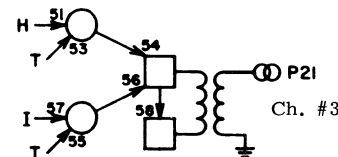
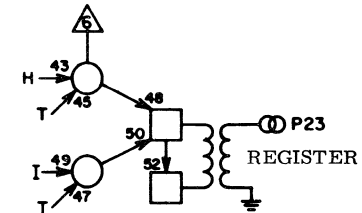
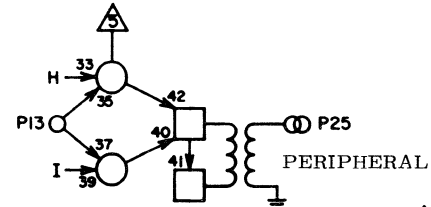
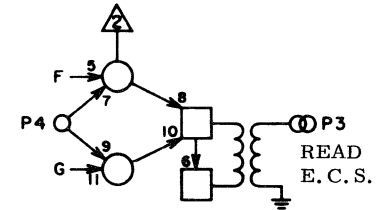
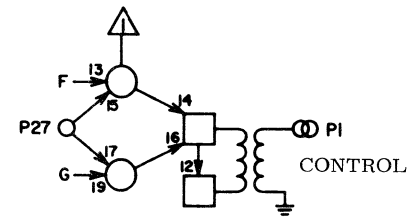
CLOCK



1			
2	I07	X	2
3			
4	I04	18	7
5	I10	18	7
6	I03	18	7
7	I02	18	9
8	I11	18	7
9	I05	18	7
10	I12	18	9
11	H10	26	9
12	H10	27	9
13	I07	X	2
14	G11	17	37
15	G11	18	37
16	I7	X	2
17	H10	28	9
18			
19	I09	18	7
20	I19	14	17
21	I01	18	9
22	I18	18	15
23	I15	18	11
24	I17	18	13
25	I14	18	11
26	I16	18	13
27	I07	X	2
28	I08	18	5

JACK PIN LG
CIRCUIT SPECIFICATION 11827600

63019200 Rev. M



1	W14	90	
2			
3			
4	H05	8	9
5	W06	905	
6			
7	W12	905	
8			
9	W13	905	
10	W23	905	
11	W15	905	
12			
13	I06	20	7
14	I06	11	7
15	W17	905	
16			
17	W39	95	
18	I07	28	5
19	W16	905	
20			
21			
22			
23	W18	905	
24			
25	W07	95	
26			
27	H05	22	9
28			

JACK PIN LG
SEE CIRCUIT SPECIFICATION
11827600

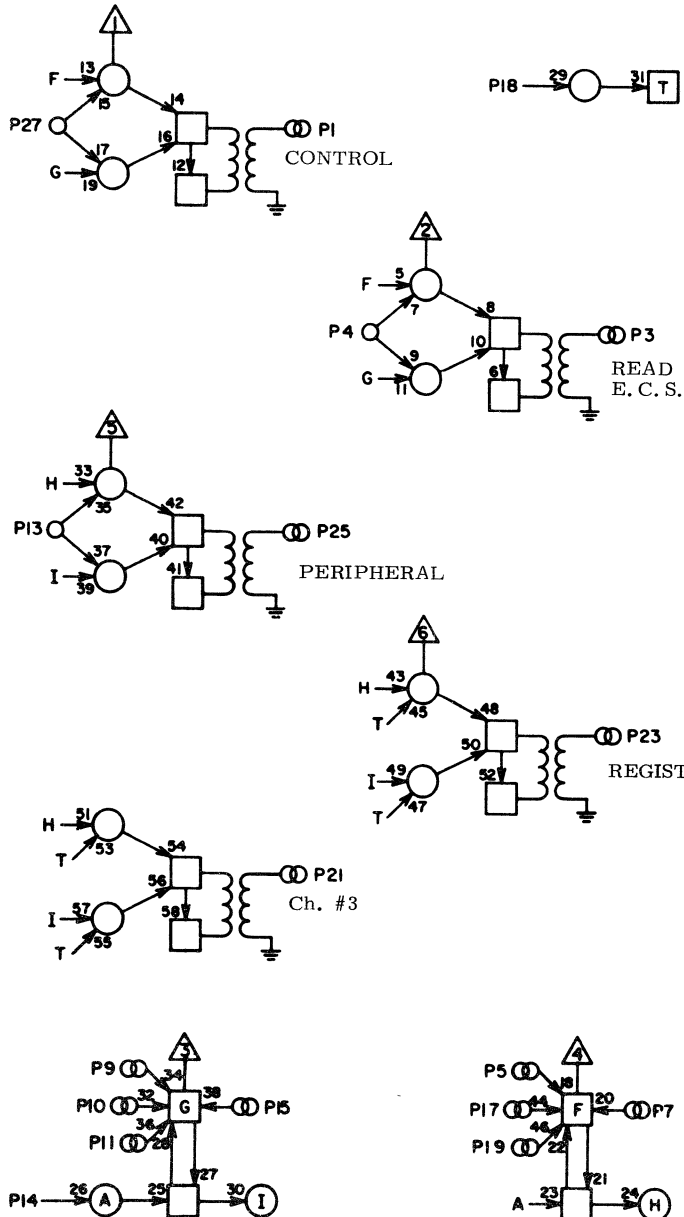
63019200 Rev. D

S 18058700
SSY REV

BIT 21

SJ

4I09



1	W14	91	
2			
3			
4	H05	9	9
5	W06	906	
6			
7	W12	906	
8			
9	W13	906	
10	W23	906	
11	W15	906	
12			
13	I06	18	7
14	I06	13	7
15	W17	906	
16			
17	W39	96	
18	I07	19	7
19	W16	906	
20			
21			
22			
23	W18	906	
24			
25	W07	96	
26			
27	H05	23	9
28			

JACK PIN LG
SEE CIRCUIT SPECIFICATION
11827600

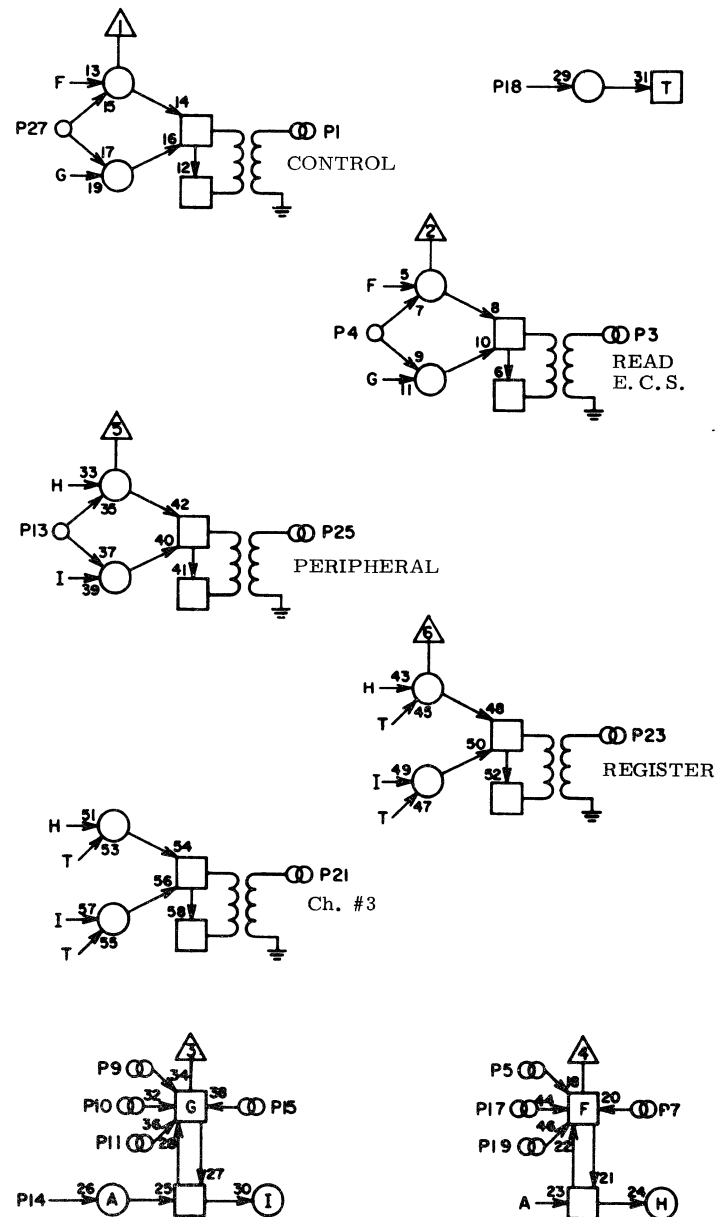
63019200 Rev. D

LS 18058700
ASSY REV

BIT 22

SJ

4I10



1	W14	92	
2			
3			
4	H15	1	9
5	W06	907	
6			
7	W12	907	
8			
9	W13	907	
10	W23	907	
11	W15	907	
12			
13	I06	28	7
14	I06	1	7
15	W17	907	
16			
17	W39	97	
18	I07	5	7
19	W16	907	
20			
21			
22			
23	W18	907	
24			
25	W07	97	
26			
27	H15	17	9
28			

JACK PIN LG
SEE CIRCUIT SPECIFICATION
11827600

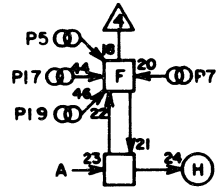
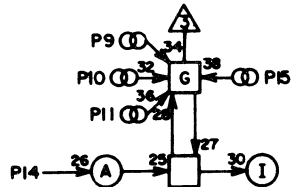
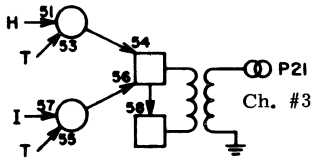
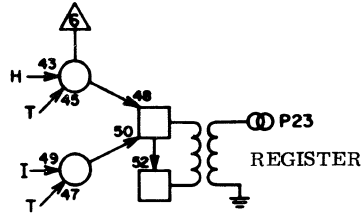
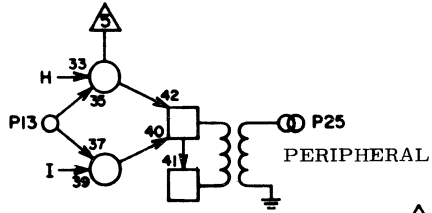
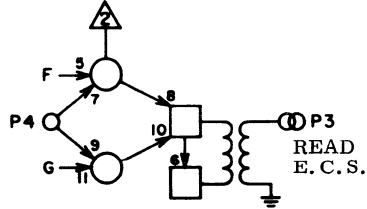
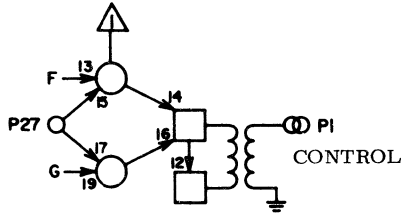
63019200 Rev. D

LS 18058700
ASSY REV

BIT 23

SJ

4I11



JACK	PIN	LG
1	W14	93
2		
3		
4	H15	2 9
5	W06	90
6		
7	W12	90
8		
9	W13	90
10	W23	90
11	W15	90
12		
13	I06	21 7
14	I06	8 9
15	W17	90
16		
17	W39	98
18	I07	8 7
19	W16	90
20		
21		
22		
23	W18	90
24		
25	W07	98
26		
27	H15	18 9
28		

SEE CIRCUIT SPECIFICATION
11827600

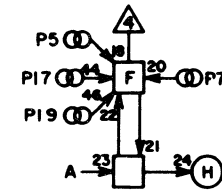
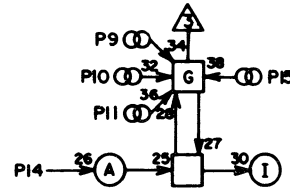
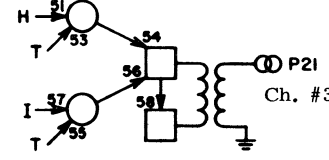
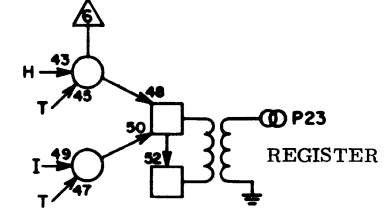
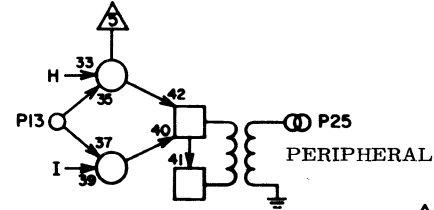
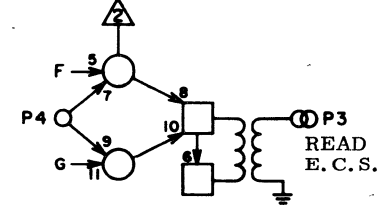
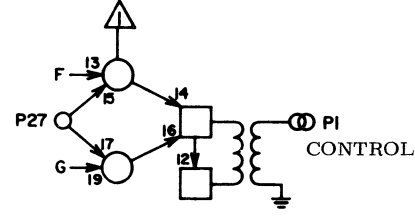
63019200 Rev. D

LS 18058700
ASSY REV

BIT 24

SJ

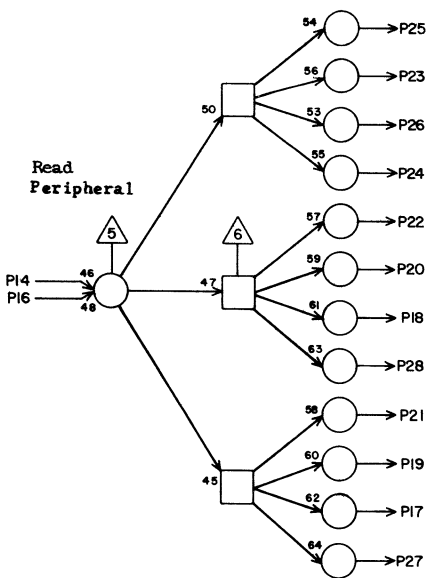
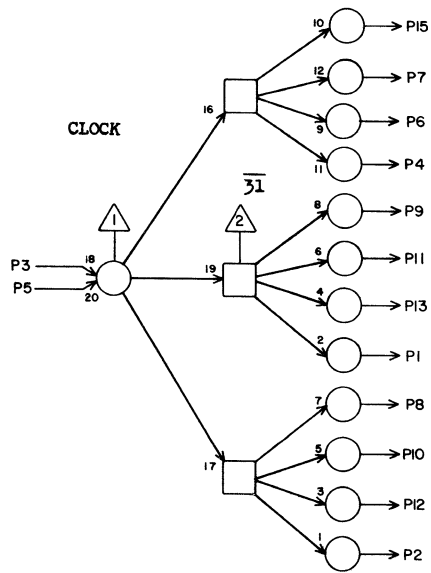
4I12



JACK	PIN	LG
1	W14	94
2		
3		
4	H15	4 9
5	W06	91
6		
7	W12	91
8		
9	W13	91
10	W23	91
11	W15	91
12		
13	I06	19 9
14	I06	10 9
15	W17	91
16		
17	W39	99
18	I07	10 9
19	W16	91
20		
21		
22		
23	W18	91
24		
25	W07	99
26		
27	H15	19 9
28		

SEE CIRCUIT SPECIFICATION
11827600

63019200 Rev. D



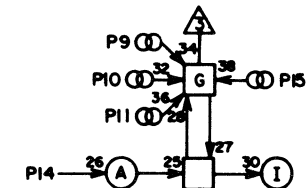
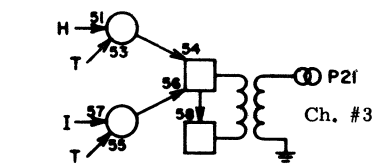
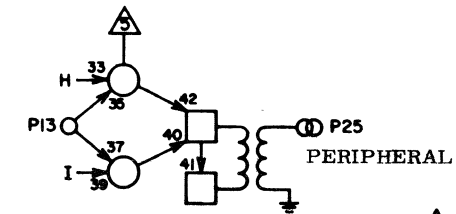
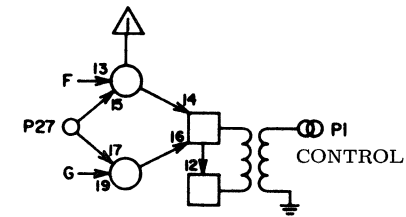
TC 4I13

1			
2			
3	G10	26	72
4	I17	14	7
5	I13	X	2
6	I16	14	7
7	I15	14	5
8			
9	I18	14	7
10			
11			
12			
13			
14	H10	10	9
15	I14	14	5
16	I13	X	2
17			
18			
19			
20			
21			
22	I18	13	9
23	I15	13	5
24	I17	13	7
25	I14	13	5
26	I16	13	7
27			
28			

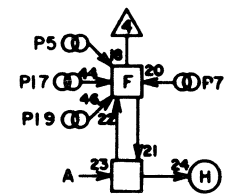
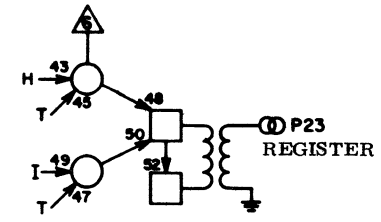
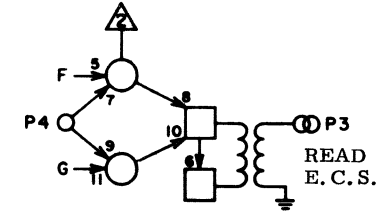
JACK PIN LG

63019200 Rev V

LS 18058700 REV
ASSY



BIT 25 SJ



4I14

1	W14	95	
2			
3			
4	H15	6	9
5	W06	92	
6			
7	W12	92	
8			
9	W13	92	
10	W23	92	
11	W15	92	
12			
13	I13	25	5
14	I13	15	5
15	W17	92	
16			
17	W39	900	
18	I07	25	11
19	W16	92	
20			
21			
22			
23	W18	92	
24			
25	W07	900	
26			
27	H15	20	9
28			

JACK PIN LG

SEE CIRCUIT SPECIFICATION
11827600

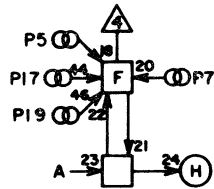
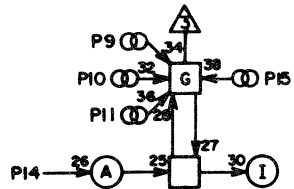
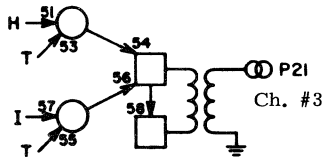
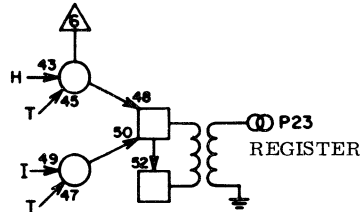
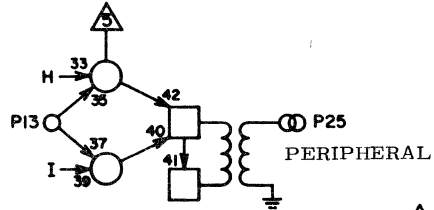
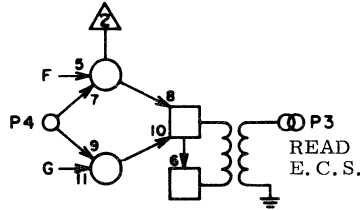
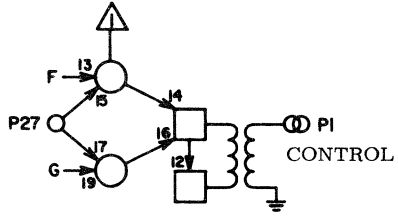
63019200 Rev. D

LS 18058700
ASSY REV

BIT 26

SJ

4I15



1	W14	96	
2			
3			
4	H15	7	9
5	W06	93	
6			
7	W12	93	
8			
9	W13	93	
10	W23	93	
11	W15	93	
12			
13	I13	23	5
14	I13	7	5
15	W17	93	
16			
17	W39	901	
18	I07	23	11
19	W16	93	
20			
21			
22			
23	W18	93	
24			
25	W07	901	
26			
27	H15	21	9
28			

JACK PIN LG
SEE CIRCUIT SPECIFICATION
11827600

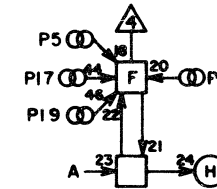
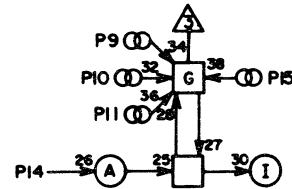
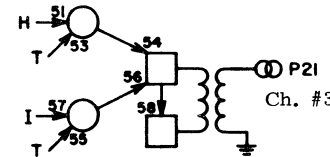
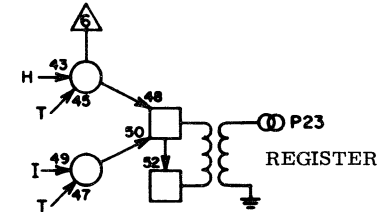
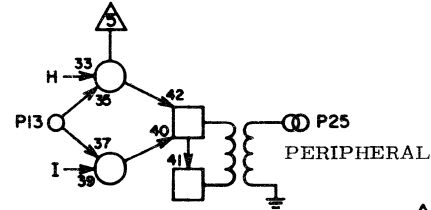
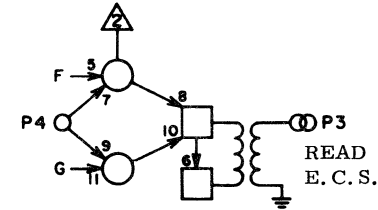
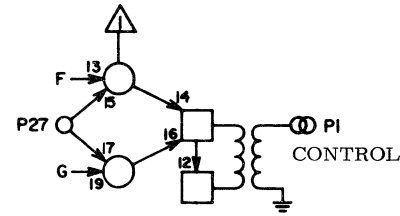
63019200 Rev. D

LS 18058700
ASSY REV

BIT 27

SJ

4I16



1	W14	97	
2			
3			
4	H15	8	9
5	W06	94	
6			
7	W12	94	
8			
9	W13	94	
10	W23	94	
11	W15	94	
12			
13	I13	26	7
14	I13	6	7
15	W17	94	
16			
17	W39	902	
18	I07	26	13
19	W16	94	
20			
21			
22			
23	W18	94	
24			
25	W07	902	
26			
27	H15	22	9
28			

JACK PIN LG
SEE CIRCUIT SPECIFICATION
11827600

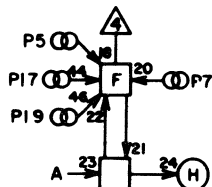
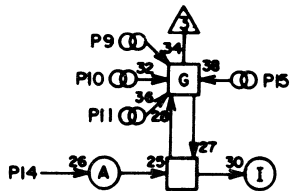
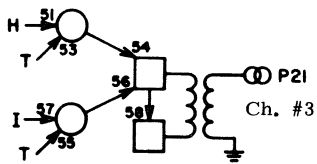
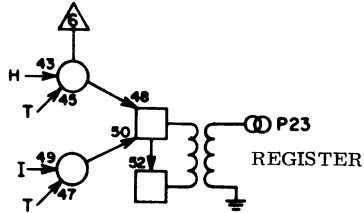
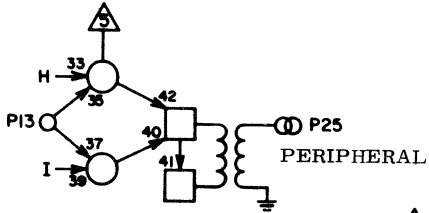
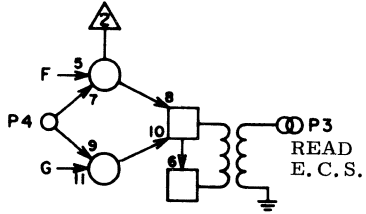
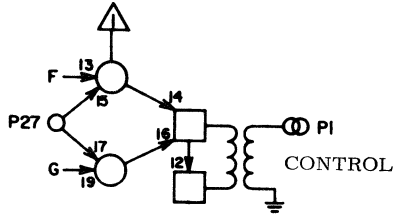
63019200 Rev. D

LS 18058700
ASSY REV

BIT 28

SJ

4I17



1	W14	98	
2			
3			
4	H15	9	9
5	W06	95	
6			
7	W12	95	
8			
9	W13	95	
10	W23	95	
11	W15	95	
12			
13	I13	24	7
14	I13	4	7
15	W17	95	
16			
17	W39	903	
18	I07	24	13
19	W16	95	
20			
21			
22			
23	W18	95	
24			
25	W07	903	
26			
27	H15	23	9
28			

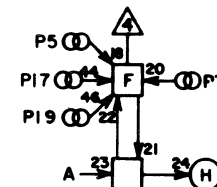
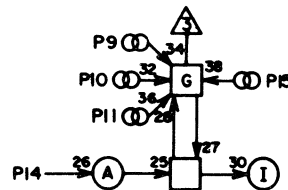
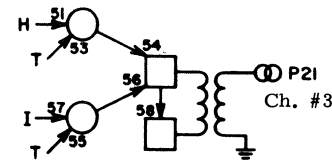
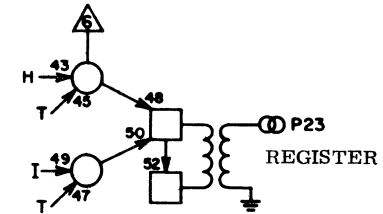
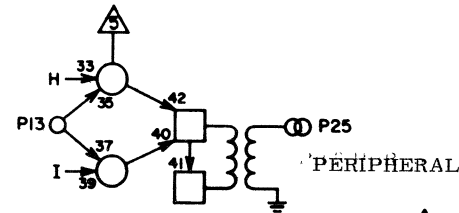
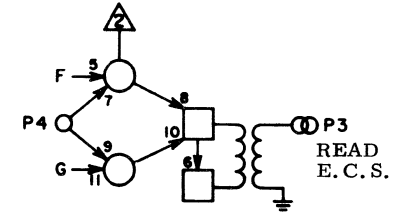
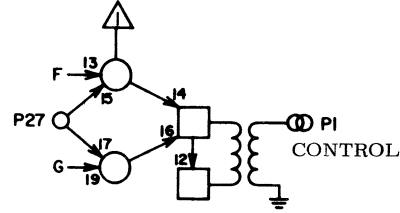
JACK PIN LG
SEE CIRCUIT SPECIFICATION
11827600
63019200 Rev. D

LS 18058700
ASSY REV

BIT 29

SJ

4I18



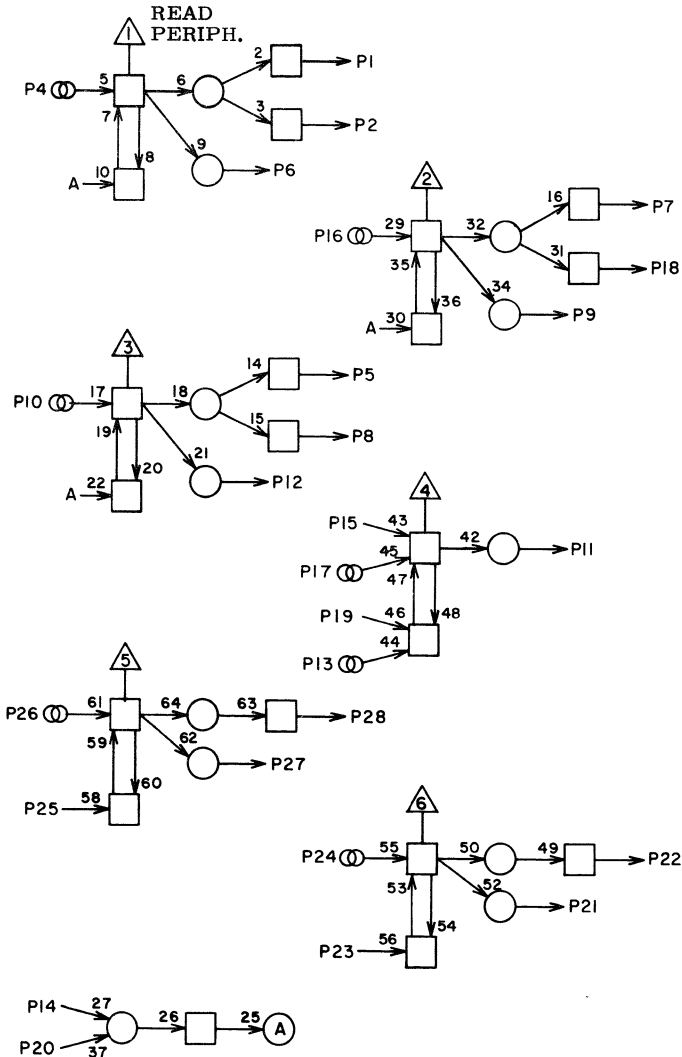
1	W14	99	
2			
3			
4	H15	10	9
5	W06	96	
6			
7	W12	96	
8			
9	W13	96	
10	W23	96	
11	W15	96	
12			
13	I13	22	9
14	I13	9	7
15	W17	96	
16			
17	W39	904	
18	I07	22	15
19	W16	96	
20			
21			
22			
23	W18	96	
24			
25	W07	904	
26			
27	H15	24	9
28			

JACK PIN LG
SEE CIRCUIT SPECIFICATION
11827600
63019200 Rev. D

LS 18058300 A
 ASSY REV

PY

4I19

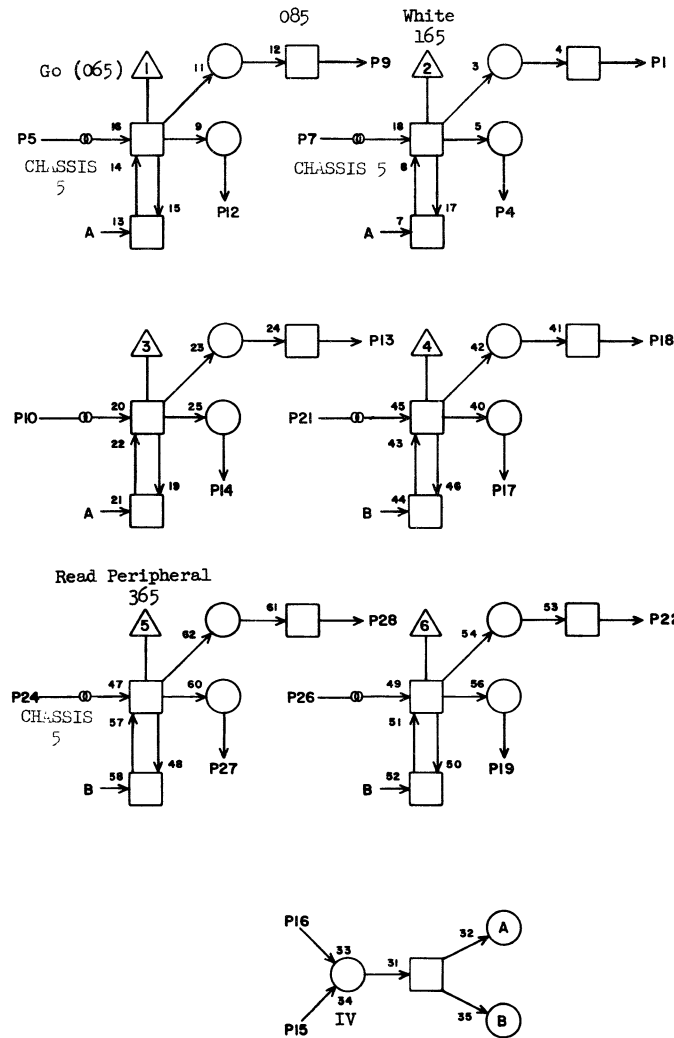


1	H10	4	13
2	H10	3	13
3			
4	W39	907	
5	H10	5	72
6			
7			
8	G08	5	72
9			
10	W39	908	
11			
12			
13			
14	I07	20	17
15			
16			
17			
18			
19			
20	I19	X	2
21			
22			
23			
24			
25			
26			
27			
28			

JACK PIN LG

CIRCUIT SPECIFICATION
 11827600
 63019200 Rev. V

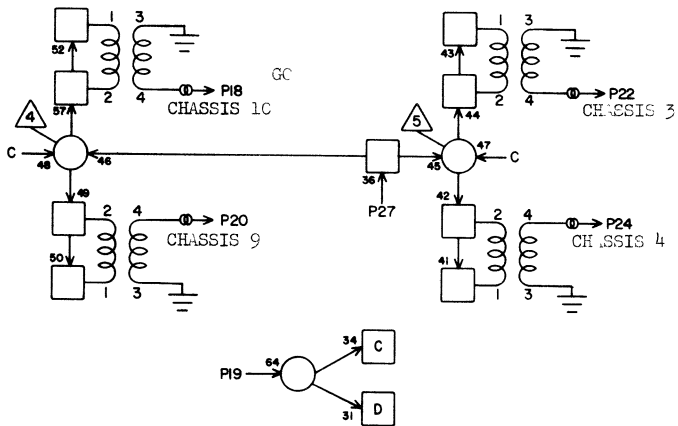
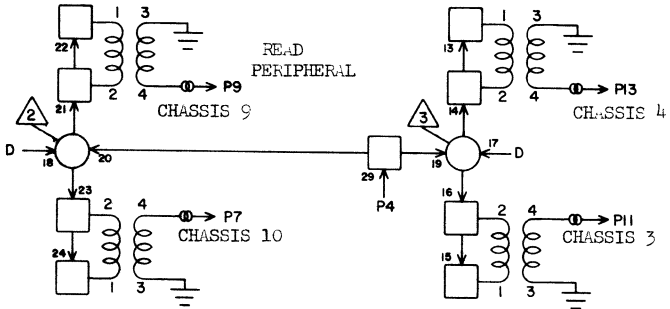
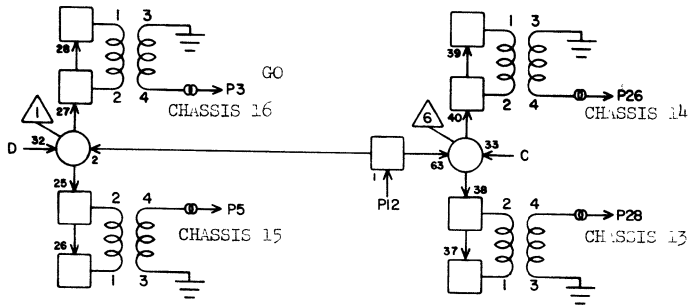
PI 4I20



1	I22	8	5
2			
3			
4			
5	W19	901	
6			
7	W19	902	
8			
9	I25	10	7
10			
11			
12	I21	27	5
13			
14			
15	G18	1	156
16	I20	X	2
17			
18			
19	H20	12	13
20			
21			
22			
23			
24	W19	904	
25			
26	W19	905	
27	I21		5
28	I22	12	5

JACK PIN LG

63019200 Rev. K

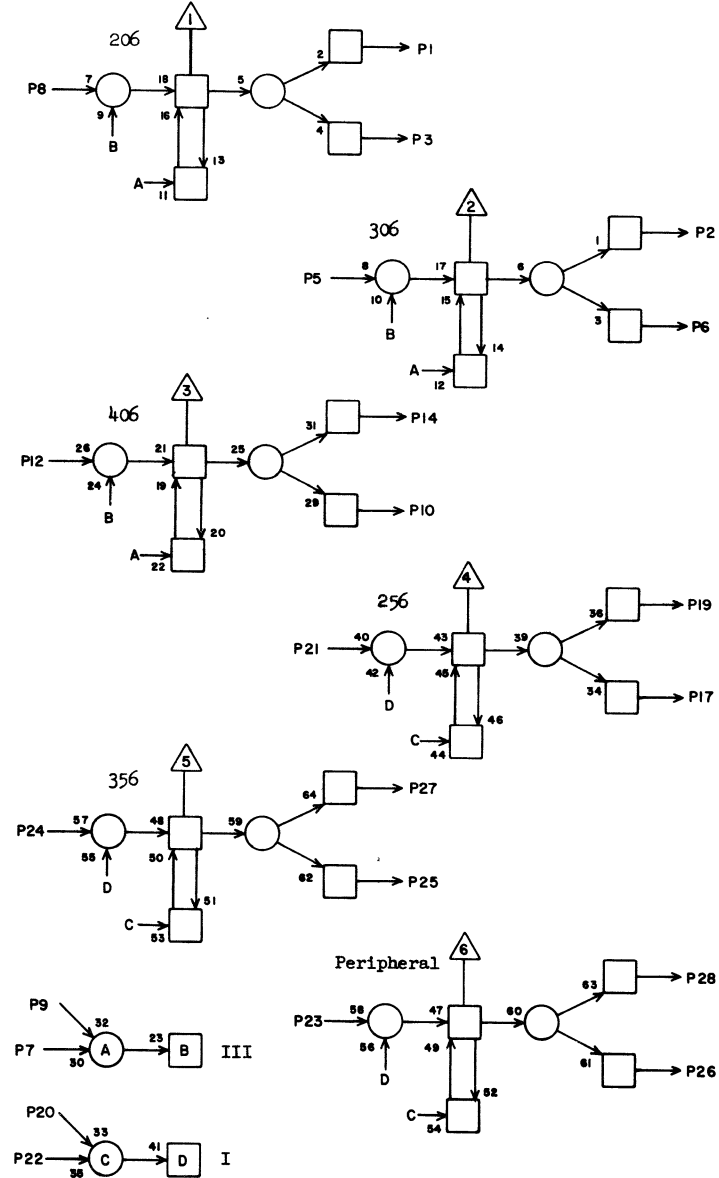


JH 4 I21

1			
2			
3	W10	99	
4	I20	27	5
5	W17	97	
6			
7	W11	99	
8			
9	W08	99	
10			
11	W06	97	
12	I25	11	7
13	W39	907	
14			
15			
16			
17			
18	W11	97	
19	G18	2	13
20	W08	97	
21			
22	W05	905	
23			
24	W39	905	
25			
26	W16	97	
27	I20	12	5
28	W15	97	

JACK PIN LG

63019200 Rev. C

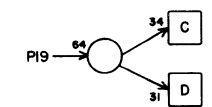
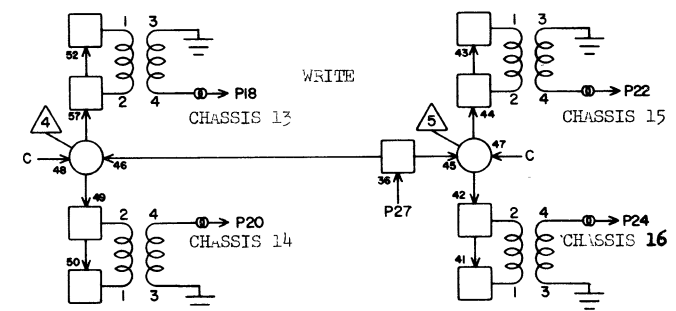
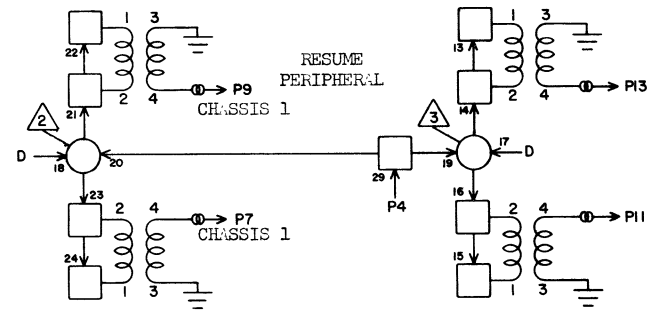
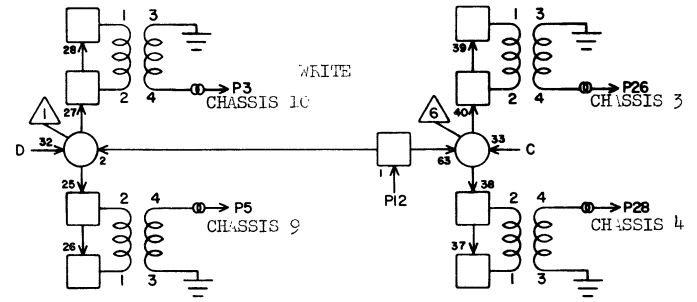


PA 4 I22

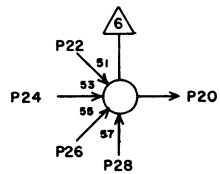
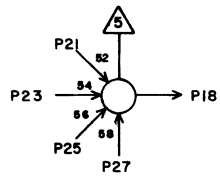
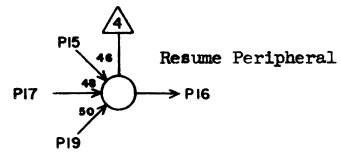
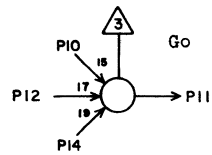
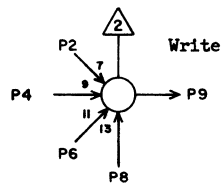
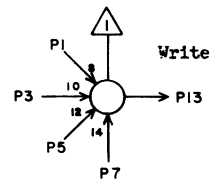
1	I22	21	5
2	I22	24	5
3			
4			
5	I22	17	5
6			
7	H27	20	9
8	I20	1	5
9	I22	X	2
10	I22	23	5
11			
12	I20	28	5
13			
14			
15			
16			
17	I22	5	5
18			
19			
20	I 6	2	17
21	I22	1	5
22	I22	X	2
23	I22	10	5
24	I22	2	5
25	I25	1	7
26			
27	I25	2	7
28	I25	15	7

JACK PIN LG

63019200 Rev. C



JACK	PIN	LG
1		
2		
3	W11	98
4	I25	16 5
5	W08	98
6		
7	W07	905
8		
9	W07	906
10		
11		
12	I25	13 5
13		
14		
15		
16		
17		
18	W15	98
19	G18	7 7 7212
20	W16	98
21		
22	W17	98
23		
24	W10	98
25		
26	W05	906
27	I25	9 5
28	W39	906



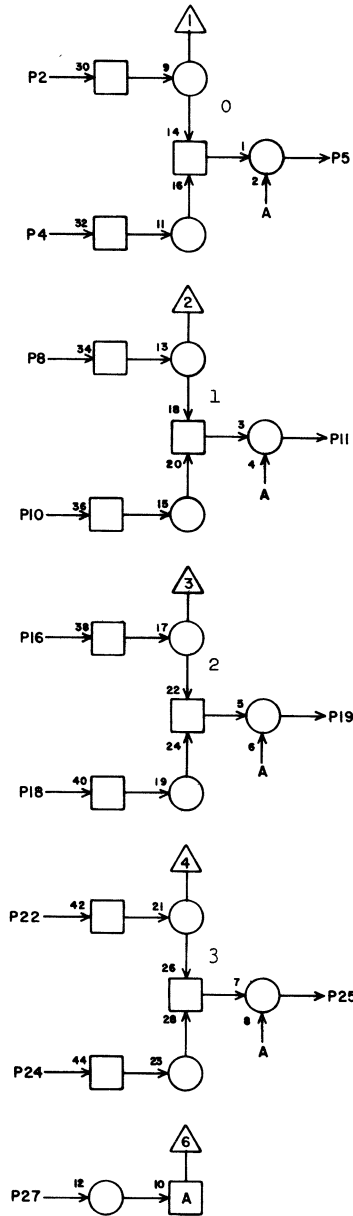
TI

4 I25

1	I22	25	7
2	I22	27	7
3	I25	X	2
4	I25	X	2
5	I25	X	2
6	I25	X	2
7	I25	X	2
8	I25	X	2
9	I24	27	5
10	I20	9	7
11	I21	12	7
12	I25	X	2
13	I24	12	5
14	I25	X	2
15	I22	28	7
16	I24	4	5
17	I25	X	2
18			
19	I25	X	2
20			
21			
22			
23			
24			
25			
26			
27			
28			

JACK PIN LG

BANK C6 SENSE



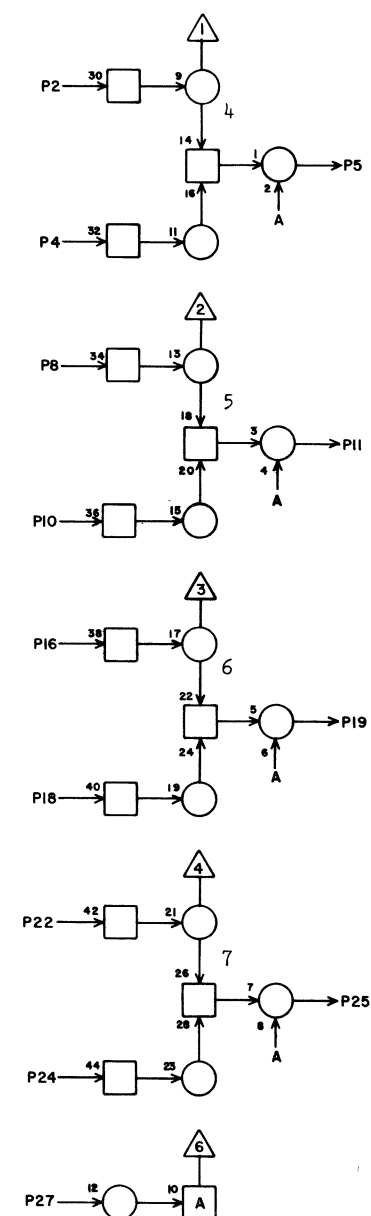
PS 4M1

1			
2	N 1	1	9
3			
4	N 1	3	9
5	H 1	14	21
6			
7			
8	N 1	27	11
9			
10	N 1	29	11
11	H 1	12	23
12			
13			
14			
15			
16	N 8	28	13
17			
18	N 8	30	13
19	H 1	26	21
20			
21			
22	N 8	2	11
23			
24	N 8	4	11
25	H 2	14	23
26	M14	15	15
27	M18	5	19
28	M 2	26	3

JACK PIN LG

63019200 Rev. C

BANK C6 SENSE



PS 4 M2

1			
2	N 1	5	9
3			
4	N 1	7	9
5	H 2	12	21
6			
7			
8	N 1	23	11
9			
10	N 1	25	11
11	H 2	26	21
12			
13			
14			
15			
16	N 8	6	11
17			
18	N 8	8	11
19	H 3	14	23
20			
21			
22	N 8	24	11
23			
24	N 8	26	11
25	H 3	12	23
26	M 1	28	3
27	M18	7	17
28	M 3	26	3

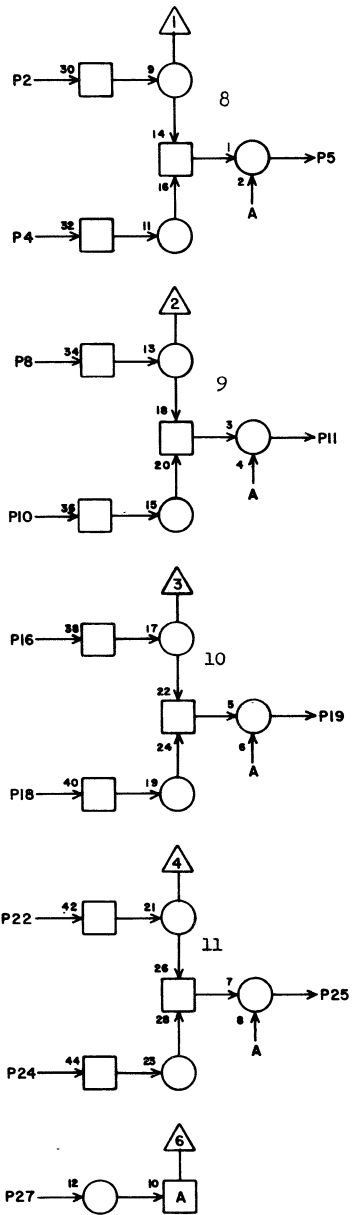
JACK PIN LG

63019200 Rev. C

SENSE

SENSE

BANK 06 SENSE



SENSE

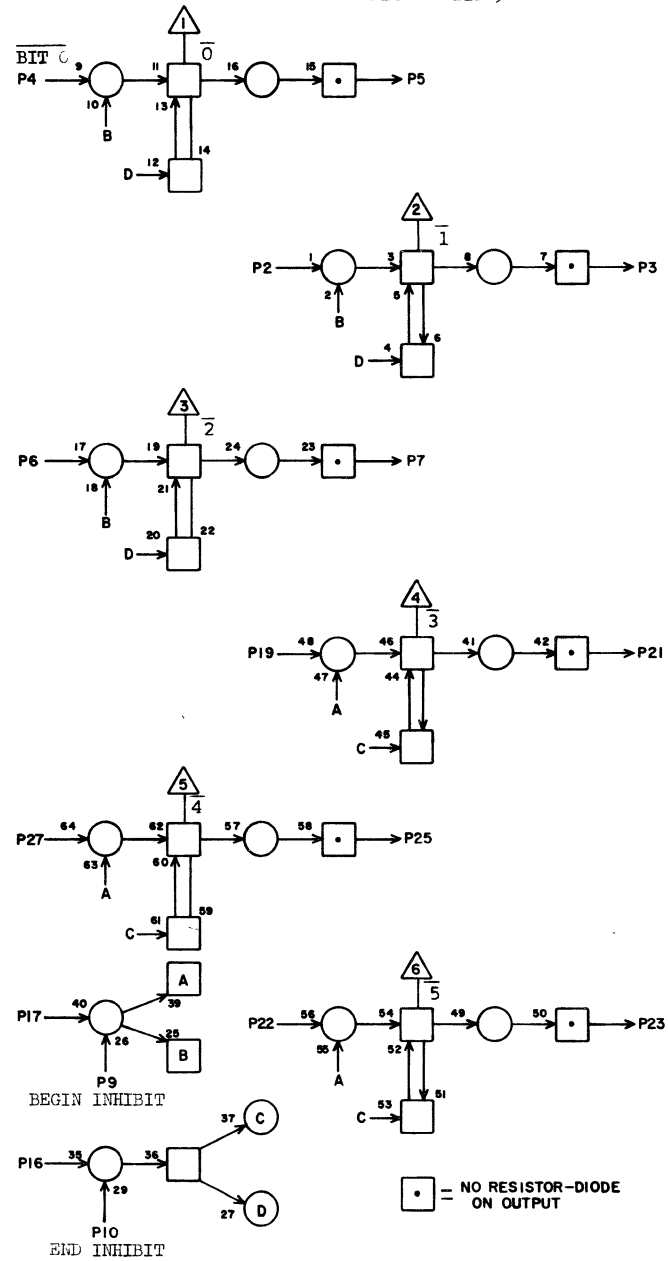
PS

4 M3

1			
2	N 1	19	11
3			
4	N 1	21	11
5	H 3	26	21
6			
7			
8	N 1	9	9
9			
10	N 1	11	9
11	H 4	14	21
12			
13			
14			
15			
16	N 8	10	11
17			
18	N 8	12	11
19	H 4	12	21
20			
21			
22	N 8	20	11
23			
24	N 8	22	11
25	H 4	26	23
26	M 2	28	3
27	M 18	9	17
28	M 7	26	7
	JACK	PIN	LG

63019200 Rev. C.

BANK 06 RESTORE
BIT 0 - BIT 5

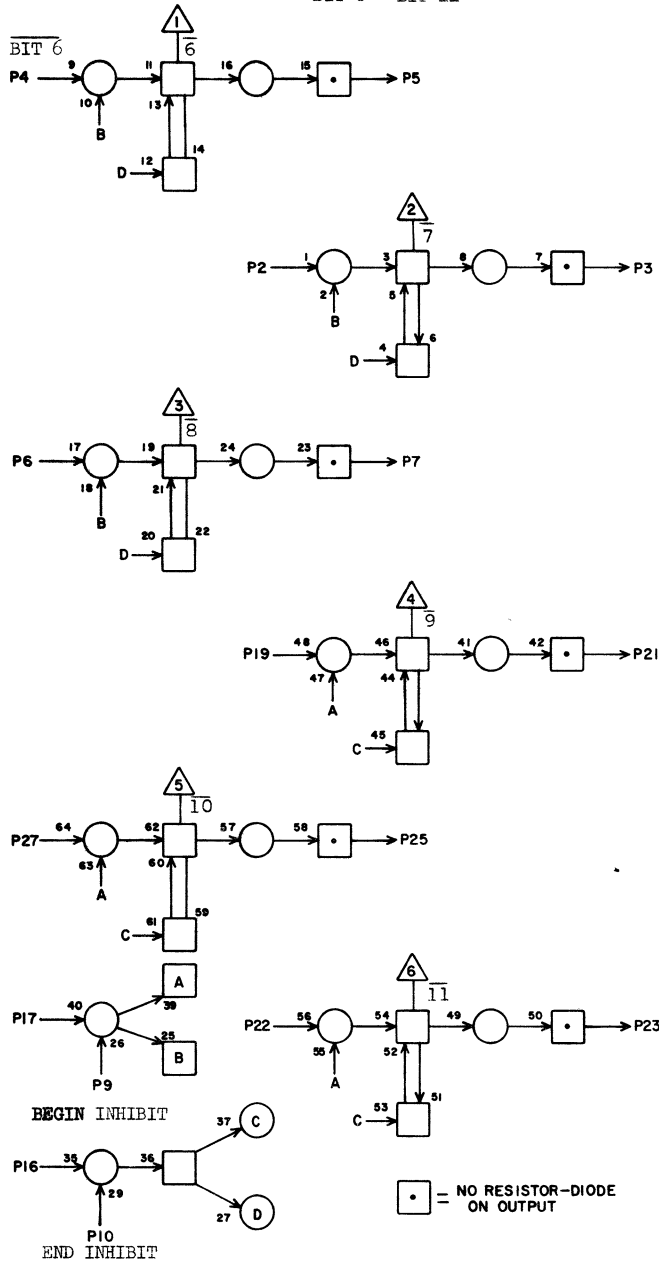


SPECIAL MODULE P2 4 M4

1			
2	G24	9	31
3	N 8	5	11
4	G24	5	31
5	N8	29	11
6	G24	26	29
7	N 1	6	11
8			
9	M20	6	17
10	M20	16	17
11			
12			
13			
14			
15			
16	M21	19	19
17	M21	1	19
18			
19	G24	21	31
20			
21	N 1	26	11
22	G25	9	33
23	N 8	1	11
24			
25	N 8	27	11
26			
27	G25	5	33
28			
	JACK	PIN	LG

63019200 Rev. C.

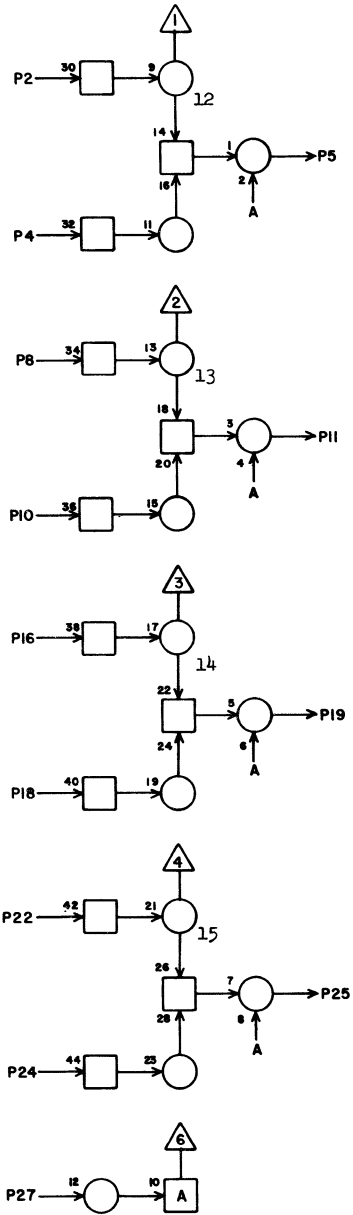
BANK 06 RESTORE
BIT 6 - BIT 11



SPECIAL MODULE P2 4 M5

1			
2	G25	21	31
3	N 1	4	9
4	G25	26	29
5	N 1	28	11
6	G26	5	33
7	N 8	3	11
8			
9	M20	8	15
10	M20	18	17
11			
12			
13			
14			
15			
16	M21	20	17
17	M21	2	17
18			
19	G26	9	33
20			
21	N 8	25	11
22	G26	21	33
23	N 1	2	9
24			
25	N 1	30	11
26			
27	G26	26	31
28			
	JACK	PIN	LG

BANK 06 SENSE



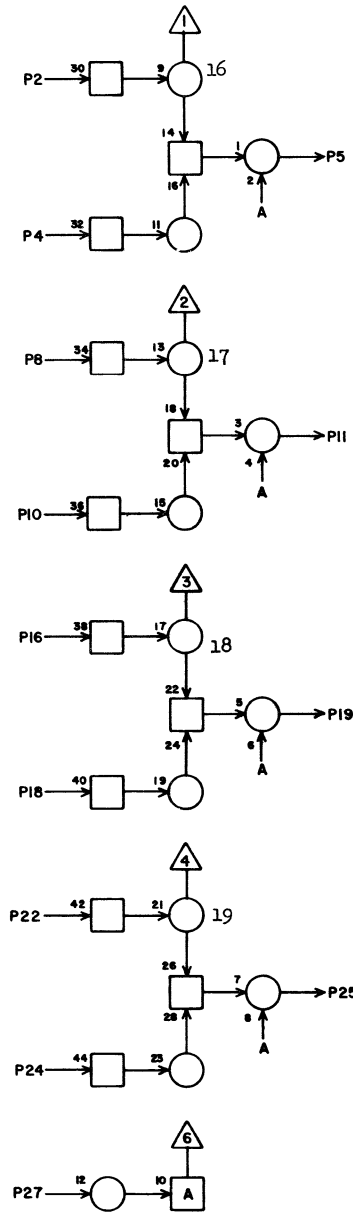
PS 4 M7

1			
2	N10	1	9
3			
4	N 10	3	9
5	H 6	14	21
6			
7			
8	N10	27	11
9			
10	N10	29	11
11	H 6	12	23
12			
13			
14			
15			
16	N16	28	13
17			
18	N16	30	13
19	H 6	26	21
20			
21			
22	N16	2	13
23			
24	N16	4	13
25	H 7	14	21
26	M 3	28	7
27	M18	11	13
28	M 8	26	3

JACK PIN LG
63019200 Rev. C

SENSE

BANK 06 SENSE



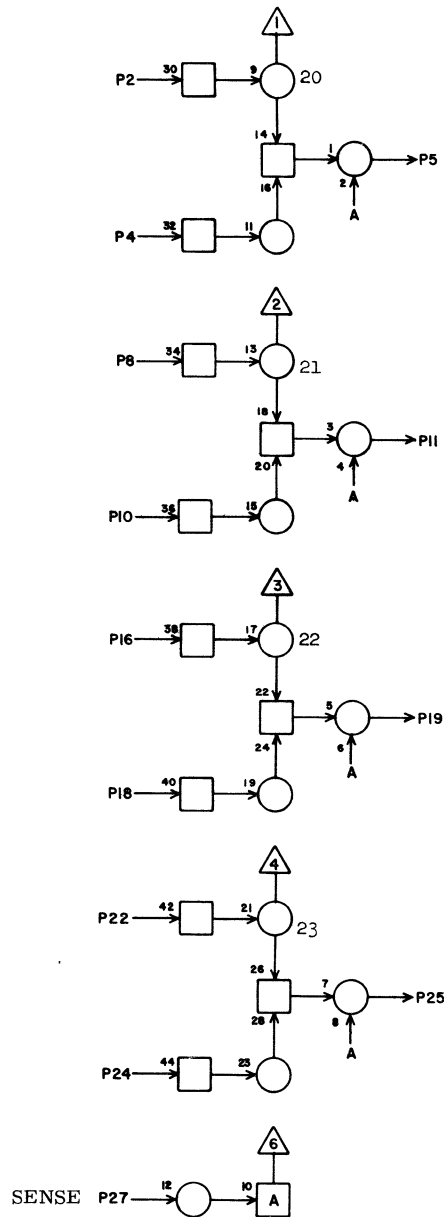
PS 4 M8

1			
2	N10	5	9
3			
4	N10	7	9
5	H 7	12	21
6			
7			
8	N10	23	11
9			
10	N10	25	11
11	H 7	26	21
12			
13			
14			
15			
16	N16	6	13
17			
18	N16	8	13
19	H 8	14	23
20			
21			
22	N16	24	13
23			
24	N16	26	13
25	H 8	12	23
26	M 7	28	3
27	M18	13	13
28	M 9	26	3

JACK PIN LG
63019200 Rev. C

SENSE

BANK 06 SENSE



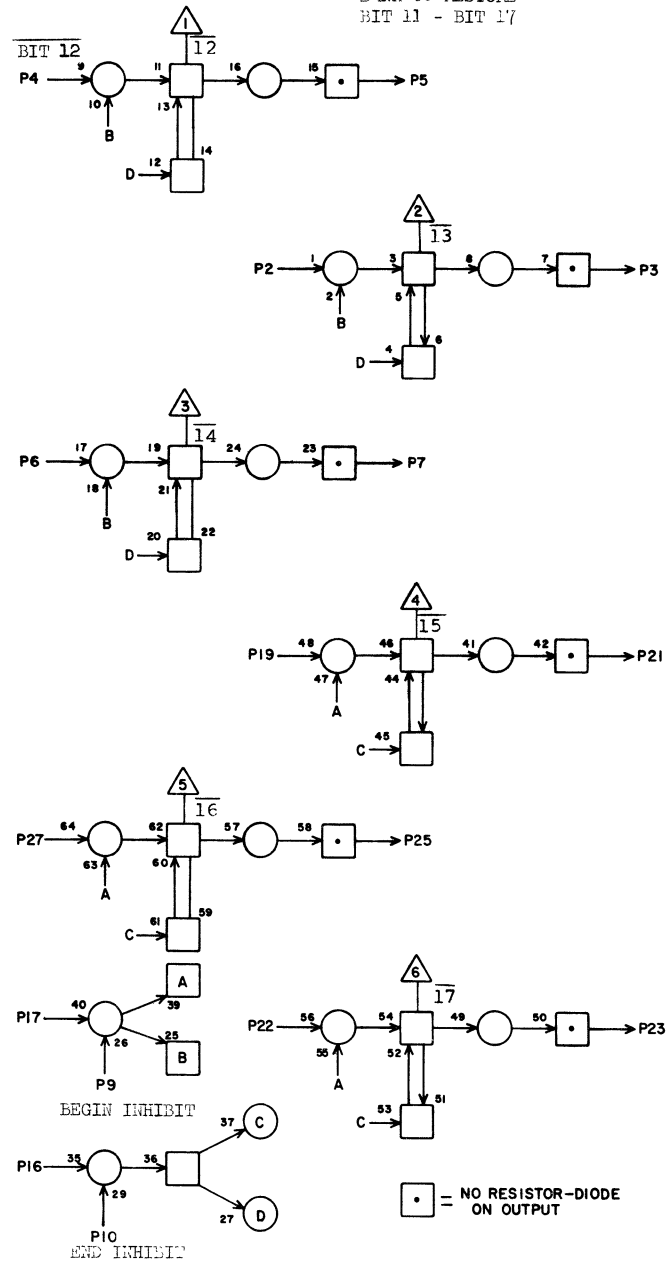
PS

4 M9

JACK	PIN	LG
1		
2	N10	19 11
3		
4	N10	21 11
5	H 8	26 21
6		
7		
8	N10	9 9
9		
10	N10	11 9
11	H 9	14 23
12		
13		
14		
15		
16	N16	10 11
17		
18	N16	12 11
19	H 9	12 23
20		
21		
22	N16	20 11
23		
24	N16	22 11
25	H 9	26 23
26	M 8	28 3
27	M18	16 11
28	M26	26 19

63019200 Rev. C

BANK 06 RESTORE
BIT 11 - BIT 17



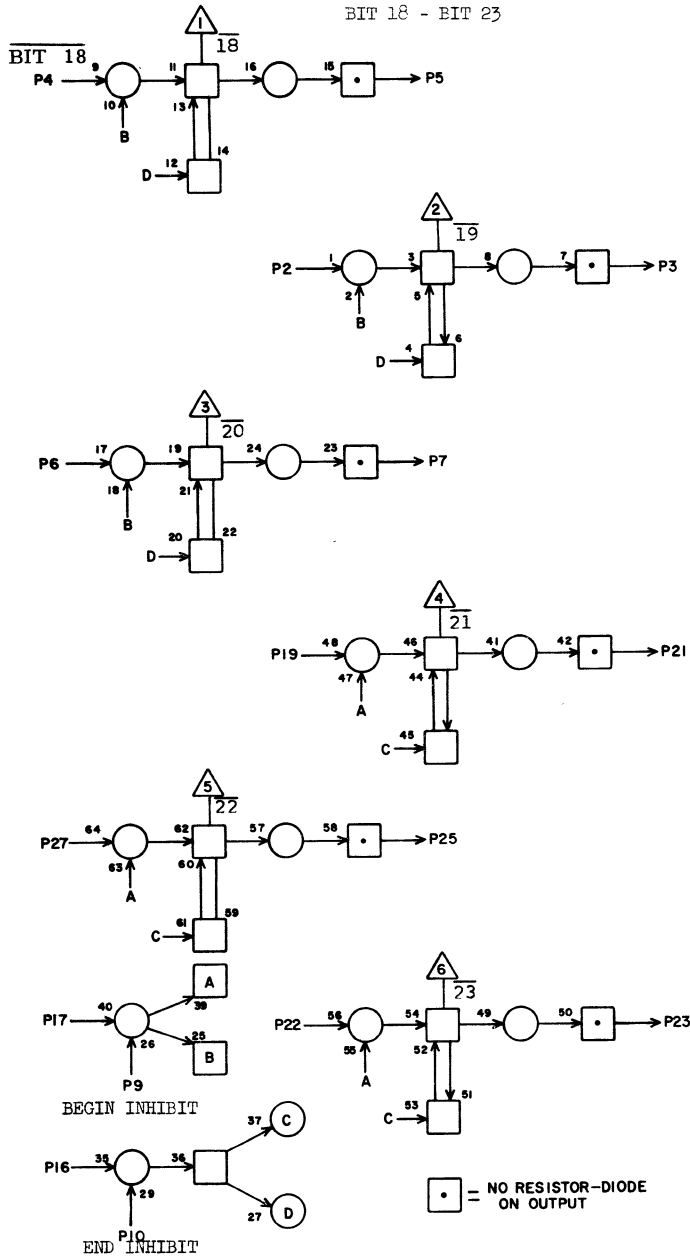
SPECIAL MODULE P2 4 M10

JACK	PIN	LG
1		
2	G28	9 31
3	N16	5 13
4	G28	5 31
5	N16	29 13
6	G28	26 29
7	N10	6 9
8		
9	M20	10 13
10	M20	20 13
11		
12		
13		
14		
15		
16	M21	21 13
17	M21	4 13
18		
19	G28	21 31
20		
21	N10	26 11
22	G29	9 33
23	N16	1 11
24		
25	N16	27 13
26		
27	G29	5 33
28		

JACK PIN LG

63019200 Rev. C

BANK 06 RESTORE
BIT 18 - BIT 23



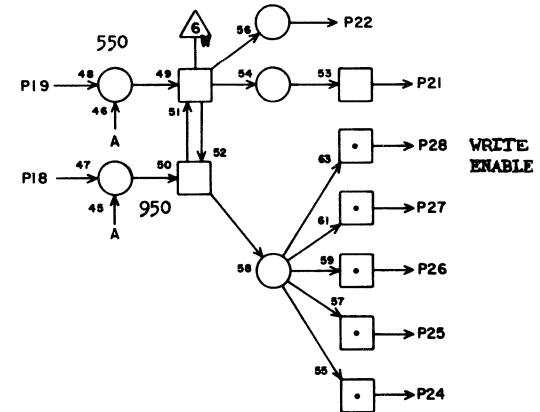
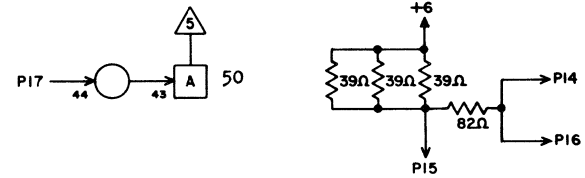
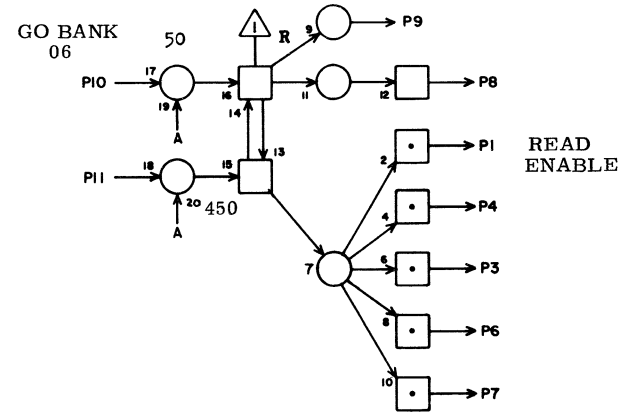
SPECIAL MODULE P2 4M11

1			
2	G29	21	31
3	N10	4	9
4	G29	26	29
5	N10	28	11
6	G30	5	31
7	N16	3	11
8			
9	M20	12	11
10	M20	22	11
11			
12			
13			
14			
15			
16	M21	22	13
17	M21	6	13
18			
19	G30	9	33
20			
21	N16	25	11
22	G30	21	33
23	N10	2	7
24			
25	N10	30	11
26			
27	G30	26	31
28			

JACK PIN LG

63019200 Rev. C

BANK 06
STORAGE SEQUENCE CONTROL



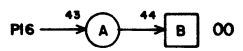
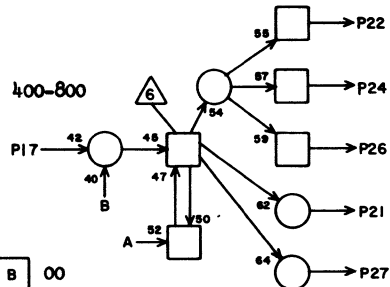
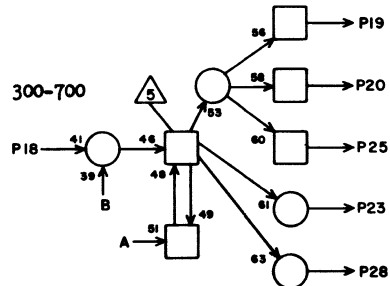
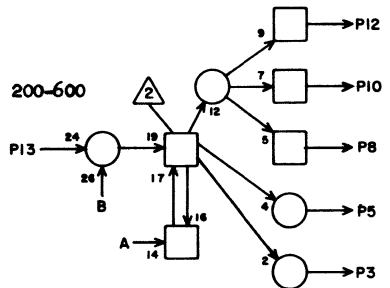
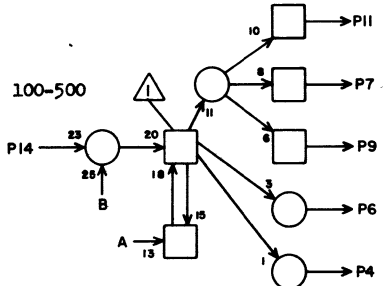
□ = NO RESISTOR-DIODE ON OUTPUT

SPECIAL MODULE PU 4 M14

1	N 8	23	29
2			
3	N16	23	29
4	N25	23	29
5			
6	N33	23	29
7	N42	23	29
8	F13	16	38
9	G 7	21	25
10	G05	6	29
11	M16	26	129
12			
13			
14	F14	16	27
15	M 1	26	15
16	P14	14	13
17	Gnd	17	2
18	M17	6	7
19	F13	17	180
20			
21	M17	13	7
22	G 7	23	27
23			
24	N 8	21	11
25	N16	21	9
26	N25	21	15
27	N33	21	21
28	N42	21	29

JACK PIN LG

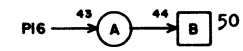
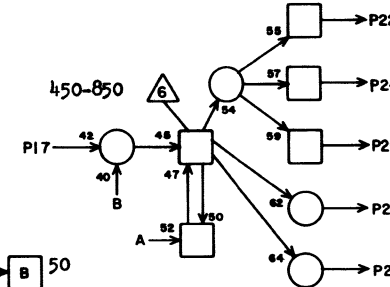
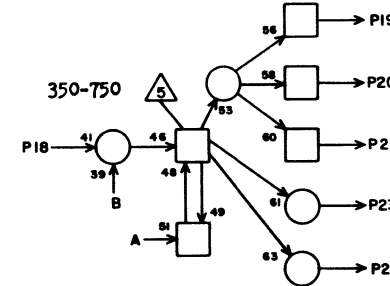
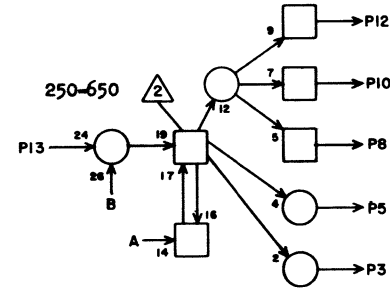
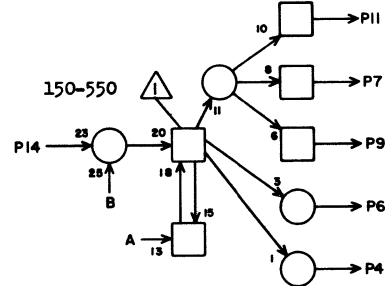
BANK 06
STORAGE SEQUENCE CONTROL



PD	4 M15		
1			
2			
3			
4			
5			
6			
7			
8	M16	13	5
9			
10			
11	M16	14	3
12			
13	M16	7	3
14	F13	15	39
15			
16	G22	22	27
17	M16	20	3
18	M16	8	5
19			
20	M16	18	3
21			
22	M16	17	5
23			
24	M14	11	120
25			
26			
27			
28			

JACK PIN LG
63019200 Rev. IP

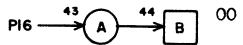
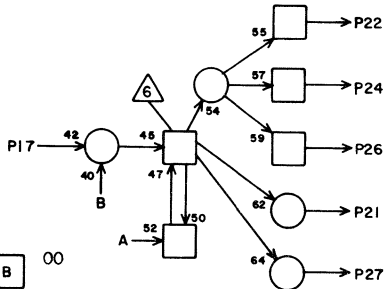
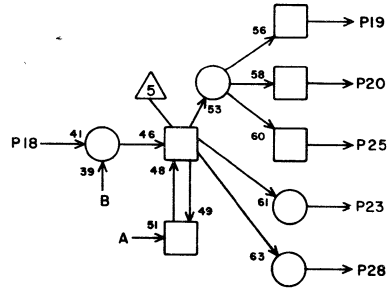
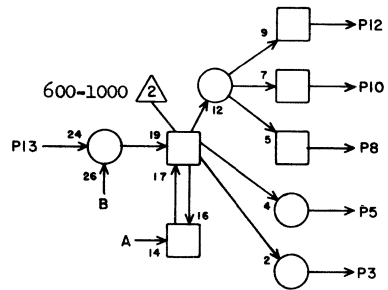
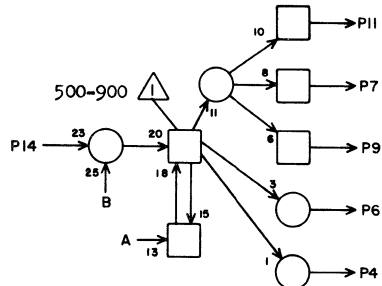
BANK 06
STORAGE SEQUENCE CONTROL



PD	4 M16		
1			
2			
3			
4			
5			
6			
7	M15	13	3
8	M15	18	5
9	M19	3	7
10	M18	1	5
11			
12			
13	M15	8	5
14	M15	11	3
15			
16	M21	18	7
17	M15	22	5
18	M15	20	3
19			
20	M15	17	3
21	M19	2	7
22	M17	14	5
23	G 7	25	29
24	M19	1	7
25			
26	M14	11	120
27			
28	M18	3	7

JACK PIN LG
63019200 Rev. P

BANK 06
STORAGE SEQUENCE CONTROL



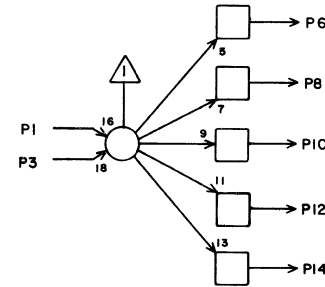
PD 4 M17

1			
2			
3			
4			
5			
6	M14	18	7
7	F13	18	108
8			
9			
10			
11			
12			
13	M14	21	7
14	M16	22	5
15			
16	G22	21	25
17			
18			
19			
20			
21			
22			
23			
24			
25			
26			
27			
28			

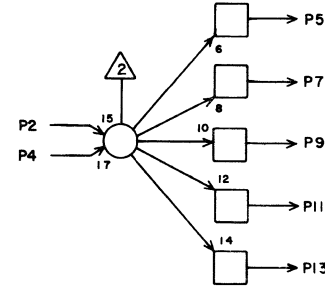
JACK PIN LG

63019200 Rev. L

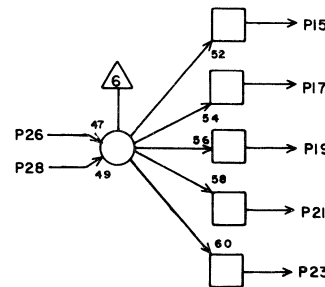
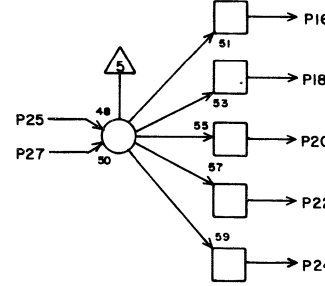
BANK 06
STORAGE SEQUENCE CONTROL



BANK 06 TO
BANK MERGE



BANK 06 SENSE



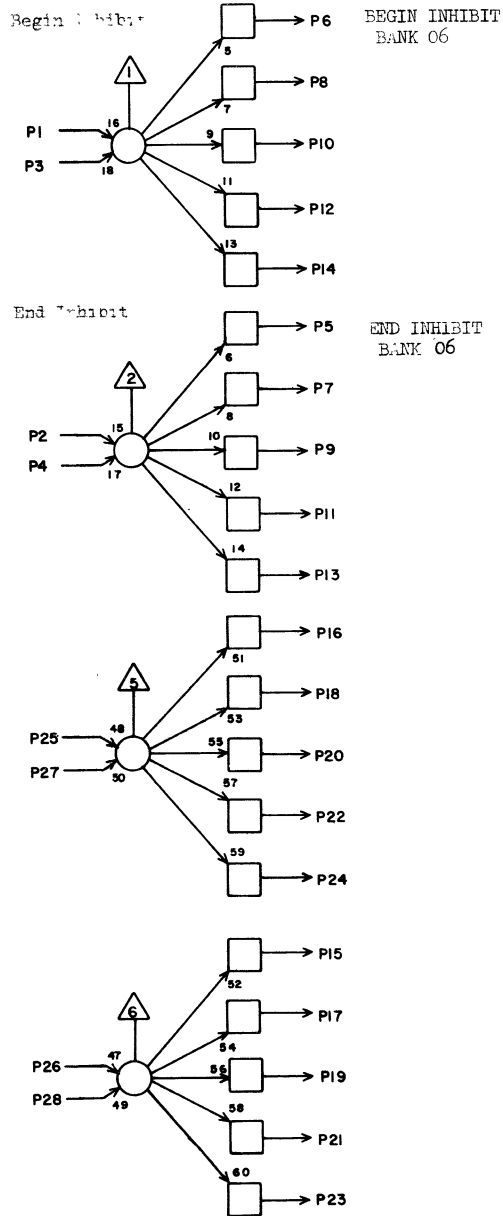
T D 4 M18

1	M16	10	5
2	M18	6	3
3	M16	28	7
4	M18	X	2
5	M 1	27	19
6	M18	2	3
7	M 2	27	17
8	M18	25	5
9	M 3	27	17
10	M18	26	5
11	M 7	27	13
12	G17	13	25
13	M 8	27	13
14			
15	M33	27	17
16	M 9	27	19
17	M34	27	17
18	M26	27	11
19	M38	27	19
20	M27	27	13
21	M39	27	23
22	M28	27	13
23	M40	27	23
24	M32	27	15
25	M18	8	5
26	M18	10	5
27	M18	X	2
28	M18	X	2

JACK PIN LG

63019200 Rev. L

BANK 06
STORAGE SEQUENCE CONTROL



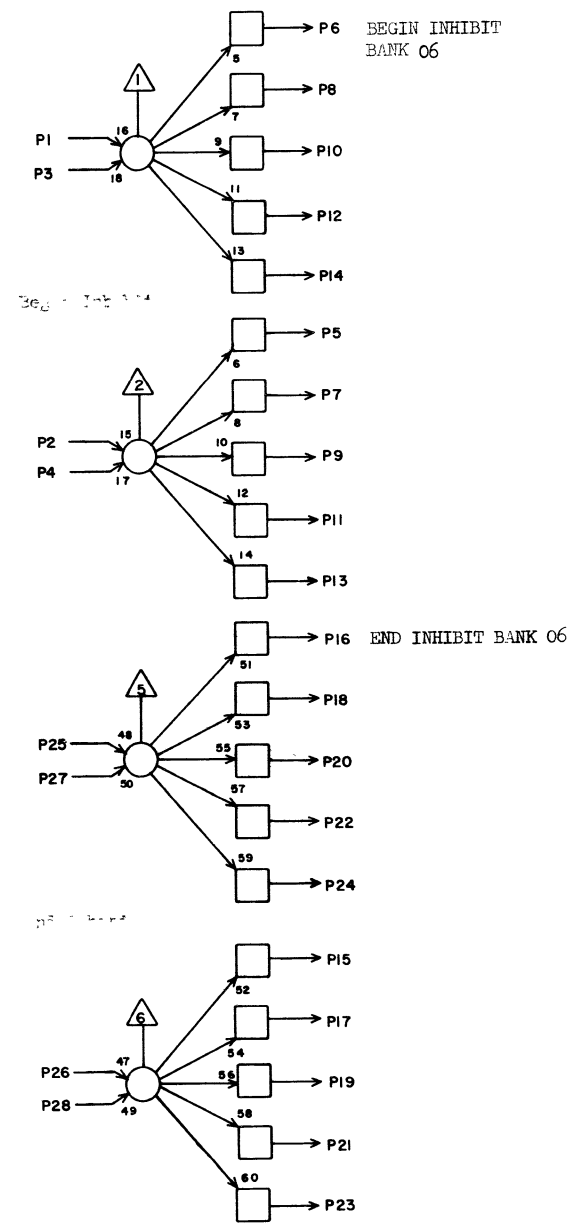
T D 4 M19

1	M16	24	7
2	M16	21	7
3	M16	9	7
4	M19	X	2
5	M20	25	5
6	M20	3	5
7	M20	26	5
8	M20	2	5
9			
10			
11			
12			
13			
14			
15			
16			
17			
18			
19			
20			
21			
22			
23			
24			
25			
26			
27			
28			

JACK PIN LG

63019200 Rev. C

BANK 06
STORAGE SEQUENCE CONTROL

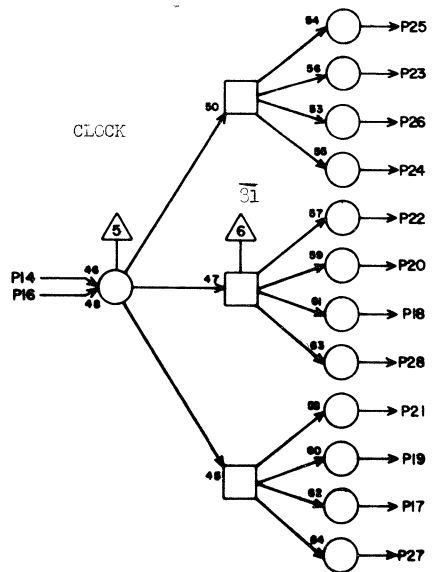
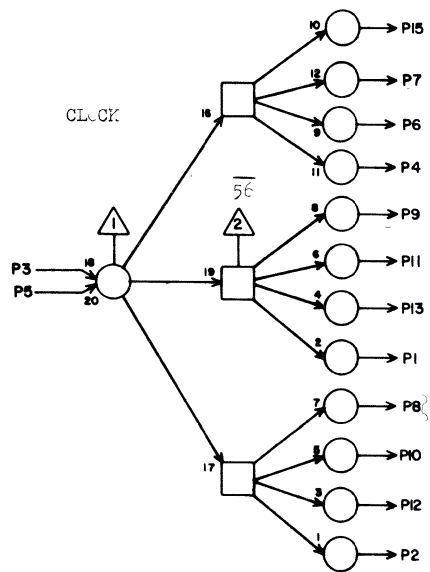


T D 4 M20

1	M20	X	2
2	M19	8	5
3	M19	6	5
4	M20	X	2
5	M30	9	13
6	M 4	9	17
7	M35	9	15
8	M 5	9	15
9	M36	9	17
10	M10	9	13
11	M41	9	23
12	M11	9	11
13	M42	9	23
14	M29	9	13
15	M30	10	13
16	M 4	10	17
17	M35	10	17
18	M 5	10	17
19	M36	10	17
20	M10	10	13
21	M41	10	21
22	M11	10	11
23	M42	10	23
24	M29	10	13
25	M19	5	5
26	M19	7	5
27	M20	X	2
28	M20	X	2

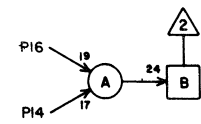
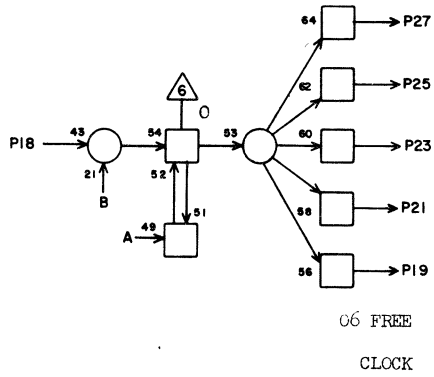
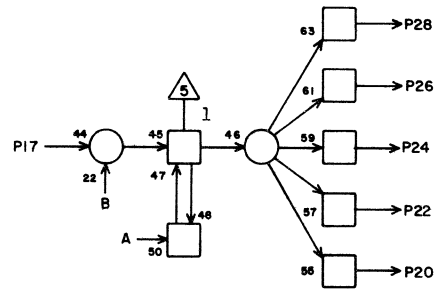
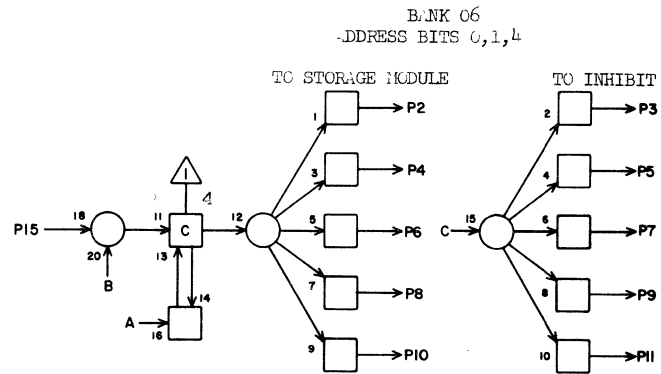
JACK PIN LG

63019200 Rev. C



TC			
4 M21			
JACK	PIN	LG	
1	M 4	17	19
2	M 5	17	17
3	G10	23	37
4	M10	17	13
5	M21	X	2
6	M11	17	13
7	M29	17	9
8	M30	17	13
9	M35	17	15
10	M36	17	17
11	M41	17	21
12	M42	17	23
13	P22	14	15
14	G10	20	39
15	P23	14	15
16	M21	X	2
17			
18	M16	16	7
19	M 4	16	19
20	M 5	16	17
21	M10	16	13
22	M11	16	13
23	M29	16	11
24	M30	16	13
25	M35	16	15
26	M36	16	17
27	M41	16	21
28	M42	16	23

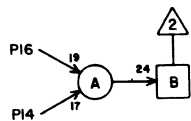
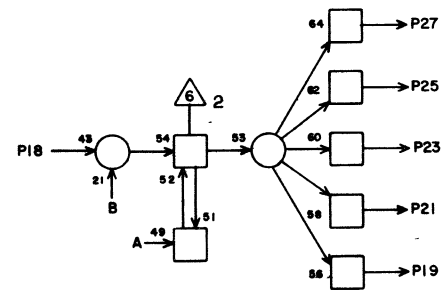
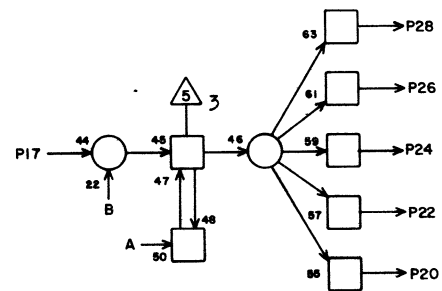
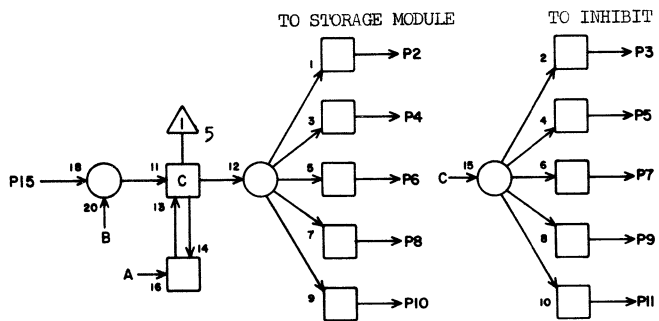
63019200 Rev. M



SA			
4 M22			
JACK	PIN	LG	
1			
2	N 8	7	17
3	N 8	15	17
4	N16	7	11
5	N16	15	13
6	N25	7	11
7	N25	15	11
8	N33	7	15
9	N33	15	15
10	N42	7	23
11	N42	15	23
12			
13			
14	G22	11	27
15	G 2	5	33
16	G19	16	25
17	G 1	9	33
18	G 1	5	33
19	N 1	22	23
20	N 1	20	23
21	N10	22	17
22	N10	20	15
23	N18	22	11
24	N18	20	11
25	N26	22	11
26	N26	20	11
27	N35	22	19
28	N35	20	17

63019200 Rev. C

BANK 06
ADDRESS BITS 2,3,5



O6 FREE

CLOCK

SA

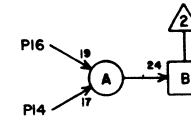
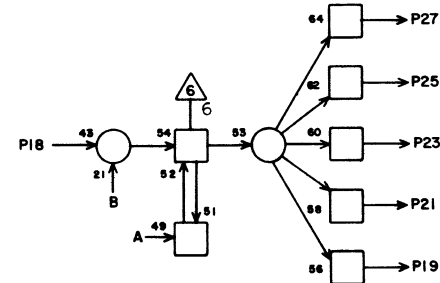
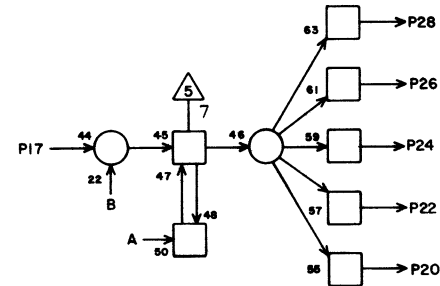
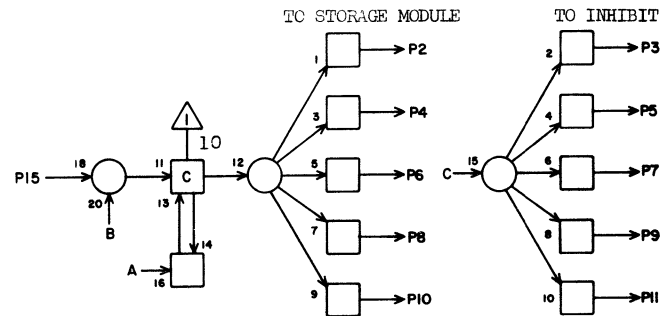
4 M23

1			
2	N 8	9	17
3	N 8	17	19
4	N16	9	13
5	N16	17	13
6	N25	9	11
7	N25	17	11
8	N33	9	15
9	N33	17	15
10	N42	9	21
11	N42	17	21
12			
13			
14	G22	12	27
15	G 2	9	23
16	G19	18	25
17	G 1	22	33
18	G 1	26	31
19	N 1	8	23
20	N 1	10	23
21	N10	8	17
22	N10	10	17
23	N18	8	11
24	N18	10	11
25	N26	8	9
26	N26	10	9
27	N35	8	15
28	N35	10	15

JACK PIN LG

63019200 Rev. C

BANK 06
ADDRESS BITS 6,7,10



O6 FREE

CLOCK

SA

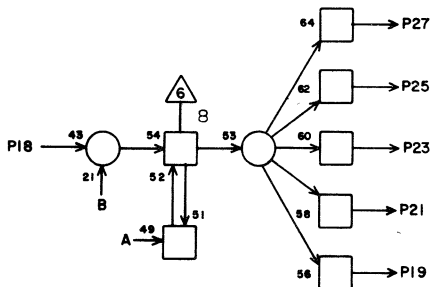
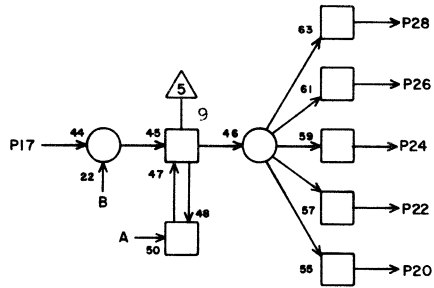
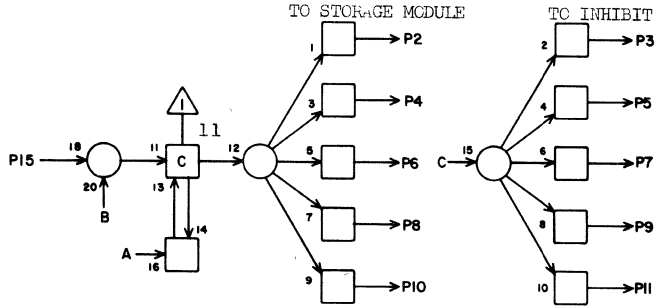
4 M24

1			
2	N 1	18	25
3	N 8	19	19
4	N10	18	17
5	N16	19	13
6	N18	18	13
7	N25	19	11
8	N26	18	11
9	N33	19	15
10	N35	18	15
11	N42	19	21
12			
13			
14	G22	13	25
15	G 3	26	31
16	G19	20	25
17	G 2	22	33
18	G 2	26	33
19	N 8	13	19
20	N 8	11	17
21	N16	13	13
22	N16	11	13
23	N25	13	9
24	N25	11	9
25	N33	13	13
26	N33	11	13
27	N42	13	19
28	N42	11	19

JACK PIN LG

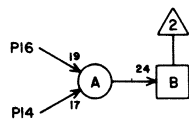
63019200 Rev. C

BANK 06
ADDRESS BITS 8,9,11



06 FREE

CLOCK



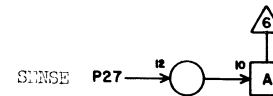
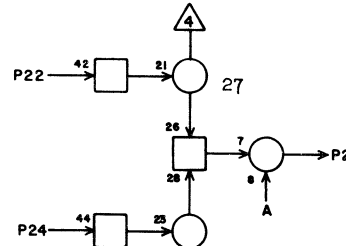
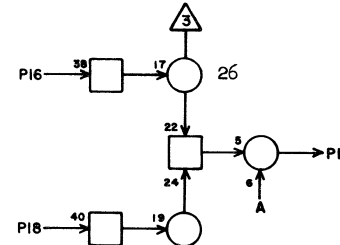
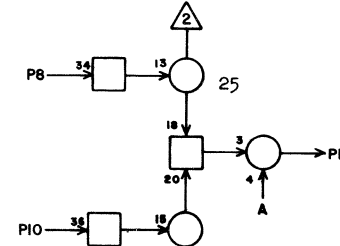
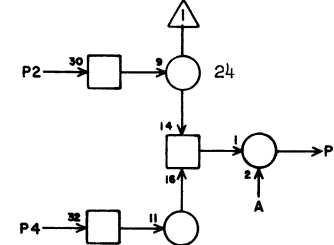
SA 4 M25

1			
2	N 1	16	25
3	N 1	24	25
4	N10	16	19
5	N10	24	19
6	N18	16	13
7	N18	24	13
8	N26	16	11
9	N26	24	11
10	N35	16	15
11	N35	24	15
12			
13			
14	G22	15	25
15	G 3	22	33
16	G19	22	25
17	G 3	9	33
18	G 3	5	31
19	N 1	12	25
20	N 1	14	25
21	N10	12	19
22	N10	14	17
23	N18	12	13
24	N18	14	11
25	N26	12	7
26	N26	14	7
27	N35	12	13
28	N35	14	13

JACK PIN LG

63019200 Rev. C

BANK 06 SENSE



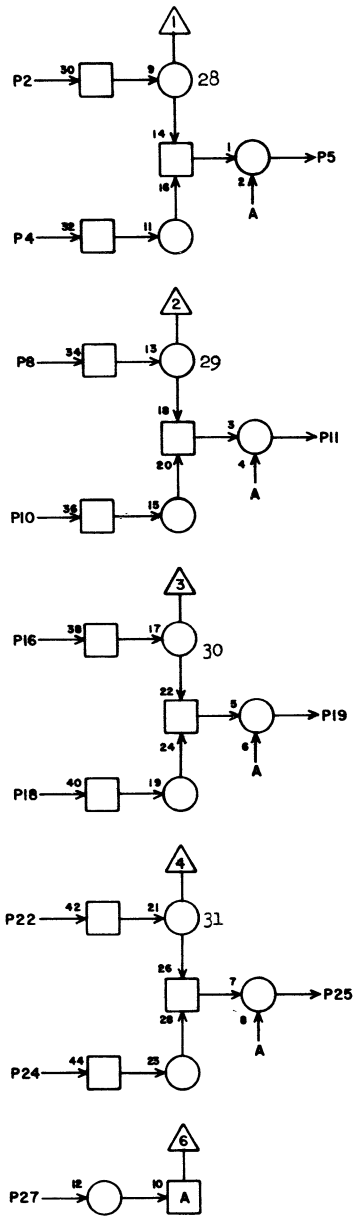
PS 4 M26

1			
2	N18	1	13
3			
4	N18	3	13
5	H11	14	27
6			
7			
8	N18	27	15
9			
10	N18	29	15
11	H11	12	27
12			
13			
14			
15			
16	N25	28	11
17			
18	N25	30	11
19	H11	26	27
20			
21			
22	N25	2	7
23			
24	N25	4	7
25	H12	14	27
26	M 9	28	19
27	M18	18	11
28	M27	26	3

JACK PIN LG

63019200 Rev. C

BANK C6 SENSE



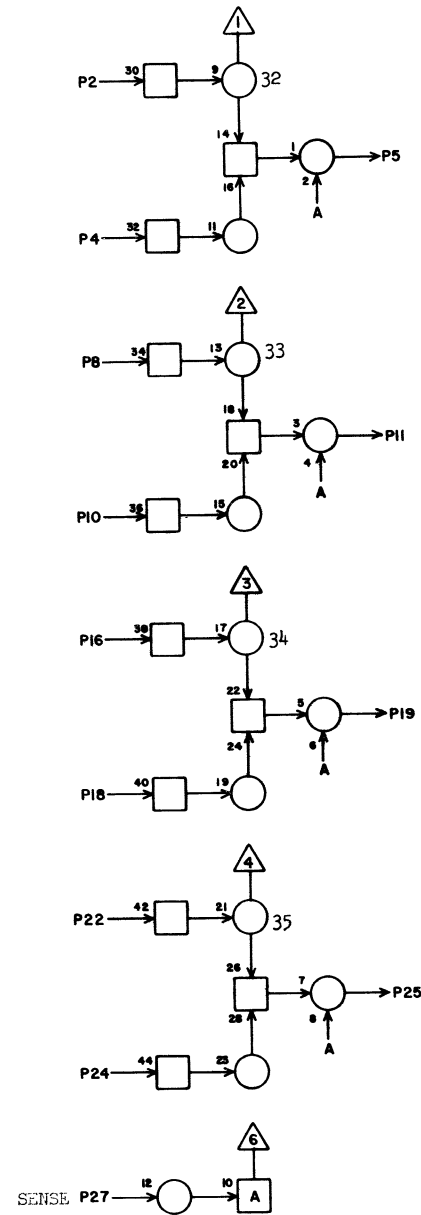
PS

4 M27

1			
2	N18	5	13
3			
4	N18	7	13
5	H12	12	27
6			
7			
8	N18	23	13
9			
10	N18	25	13
11	H12	26	25
12			
13			
14			
15			
16	M25	5	9
17			
18	N25	8	9
19	H13	14	27
20			
21			
22	N25	24	9
23			
24	N25	26	9
25	H13	12	27
26	M26	28	3
27	M18	20	13
28	M28	26	3
	JACK	PIN	LG

63019200 Rev. C

BANK C6 SENSE



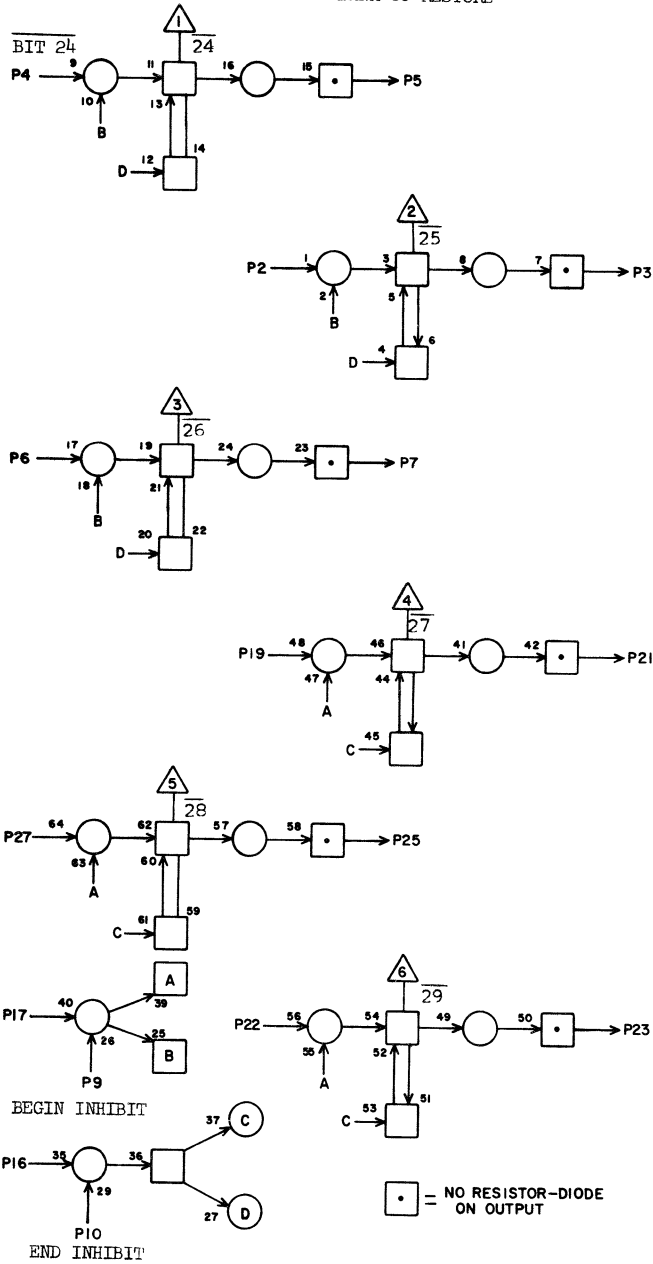
PS

4 M28

1			
2	N18	19	15
3			
4	N18	21	15
5	H13	26	25
6			
7			
8	N18	9	15
9			
10	N18	11	15
11	H14	14	25
12			
13			
14			
15			
16	N25	10	9
17			
18	N25	12	9
19	H14	12	27
20			
21			
22	N25	20	9
23			
24	N25	22	9
25	H14	26	27
26	M27	28	3
27	M18	22	13
28	M32	26	7
	JACK	PIN	LG

63019200 Rev. C

BANK 06 RESTORE



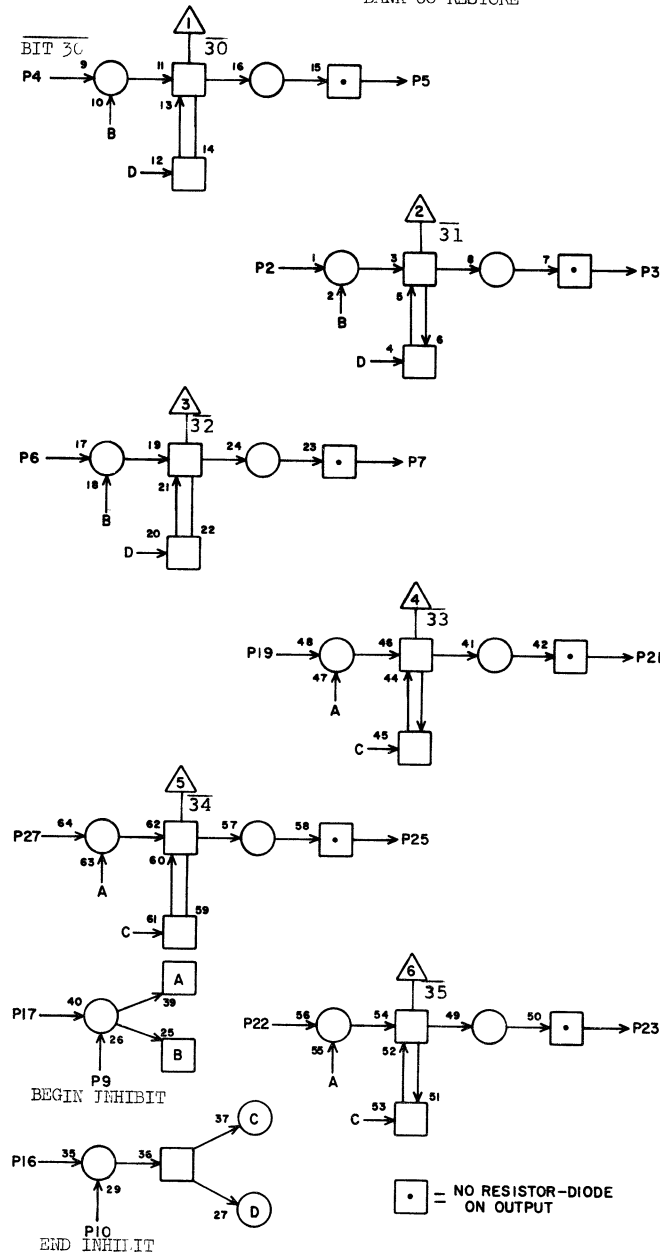
SPECIAL MODULE PZ 4 M29

1			
2	G32	9	25
3	N25	5	11
4	G32	5	25
5	N25	29	13
6	G32	26	25
7	N18	6	15
8			
9	M20	14	13
10	M20	24	13
11			
12			
13			
14			
15			
16	M21	23	11
17	M21	7	9
18			
19	G32	21	25
20			
21	N18	26	15
22	G33	9	27
23	N25	1	9
24			
25	N25	27	11
26			
27	G33	5	27
28			

JACK PIN LG

63019200 Rev. C

BANK 06 RESTORE

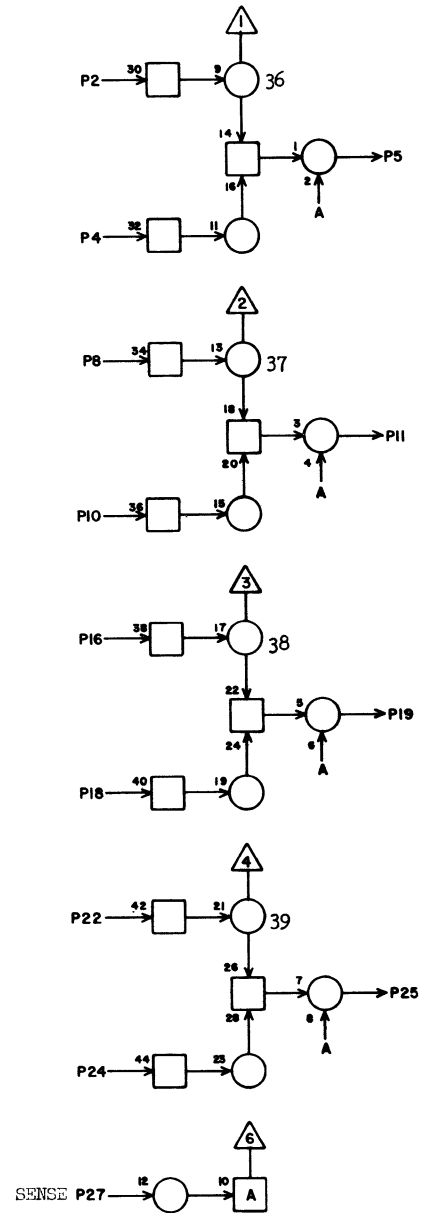


SPECIAL MODULE PZ 4 M30

1			
2	G33	21	25
3	N18	4	17
4	G33	26	25
5	N18	28	17
6	G34	5	27
7	N25	3	11
8			
9	M20	5	13
10	M20	15	13
11			
12			
13			
14			
15			
16	M21	24	13
17	M21	8	13
18			
19	G34	9	27
20			
21	N25	25	11
22	G34	21	27
23	N18	2	15
24			
25	N18	30	17
26			
27	G34	26	27
28			

JACK PIN LG

63019200 Rev. C

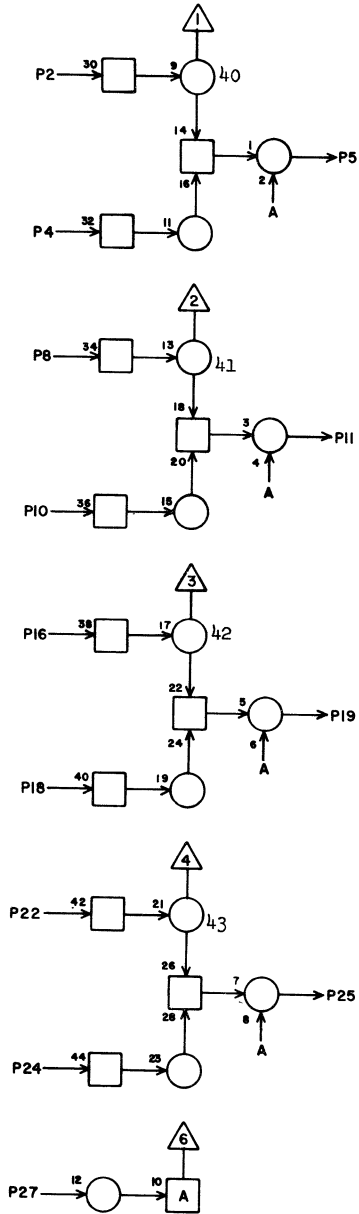


PS

1			
2	N26	1	11
3			
4	N26	3	11
5	H16	14	27
6			
7			
8	N26	27	13
9			
10	N26	29	13
11	H16	12	27
12			
13			
14			
15			
16	N33	28	11
17			
18	N33	30	11
19	H16	26	27
20			
21			
22	N33	2	7
23			
24	N33	4	7
25	H17	14	27
26	M28	28	7
27	M18	24	15
28	M33	26	3

JACK PIN LG

BANK 06 SENSE



SENSE

PS

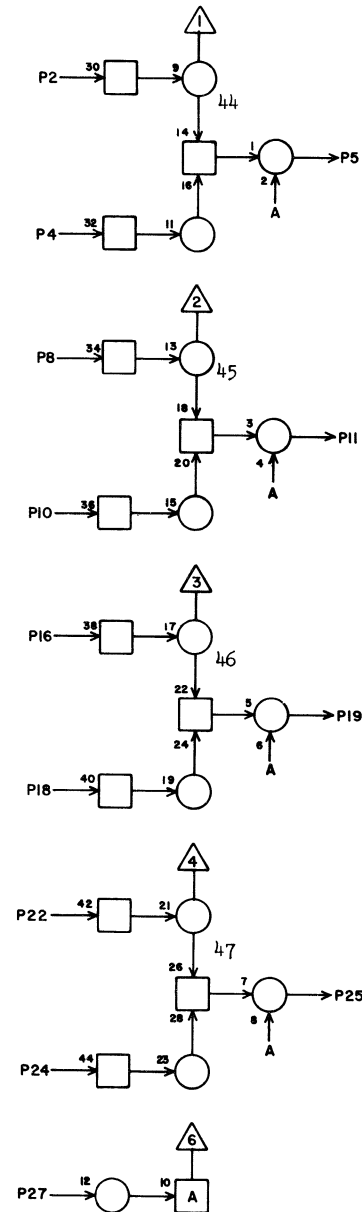
4 M33

1			
2	N26	5	13
3			
4	N26	7	13
5	H17	12	27
6			
7			
8	N26	23	13
9			
10	N26	25	13
11	H17	26	27
12			
13			
14			
15			
16	N33	6	9
17			
18	N33	8	9
19	H18	14	27
20			
21			
22	N33	24	9
23			
24	N33	26	9
25	H18	12	27
26	M32	28	3
27	M18	15	17
28	M34	26	3

JACK PIN LG

63019200 Rev. C

BANK 06 SENSE



SENSE

PS

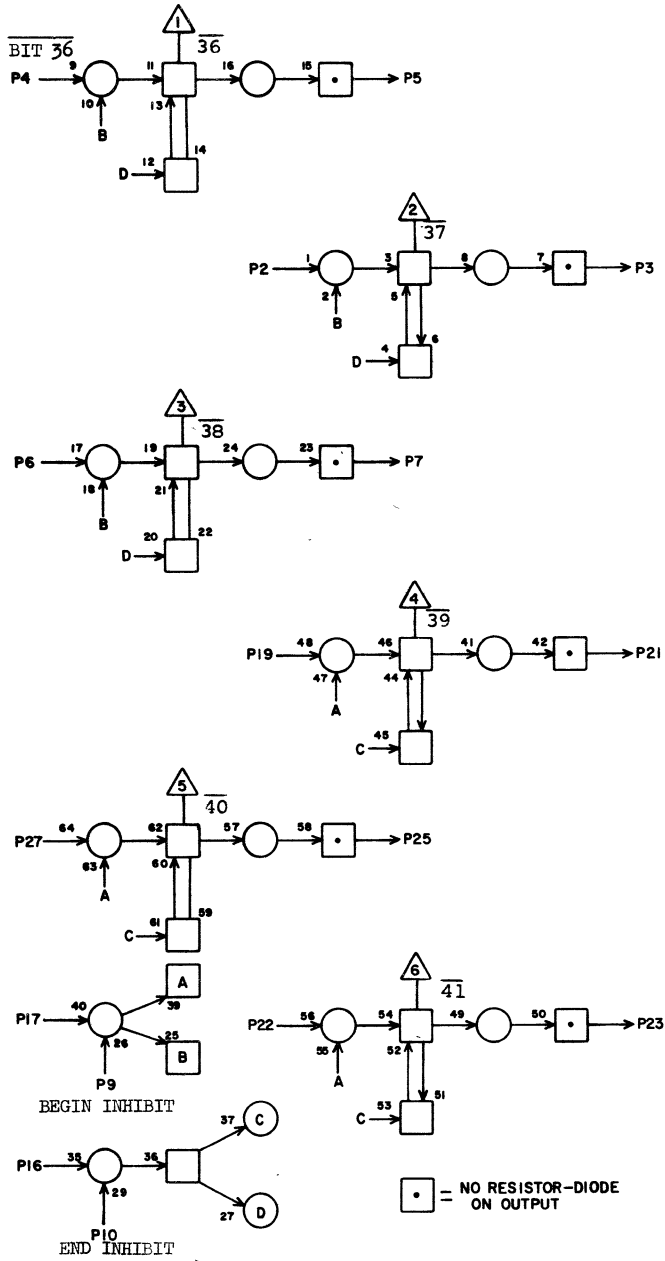
M34

1			
2	N26	19	13
3			
4	N26	21	13
5	H18	26	25
6			
7			
8	N26	9	13
9			
10	N26	11	13
11	H19	14	27
12			
13			
14			
15			
16	N33	10	9
17			
18	N33	12	9
19	H19	12	27
20			
21			
22	N33	20	9
23			
24	N33	22	9
25	H19	26	27
26	M33	28	3
27	M18	17	17
28	M38	26	7

JACK PIN LG

63019200 Rev. C

BANK 06 RESTORE



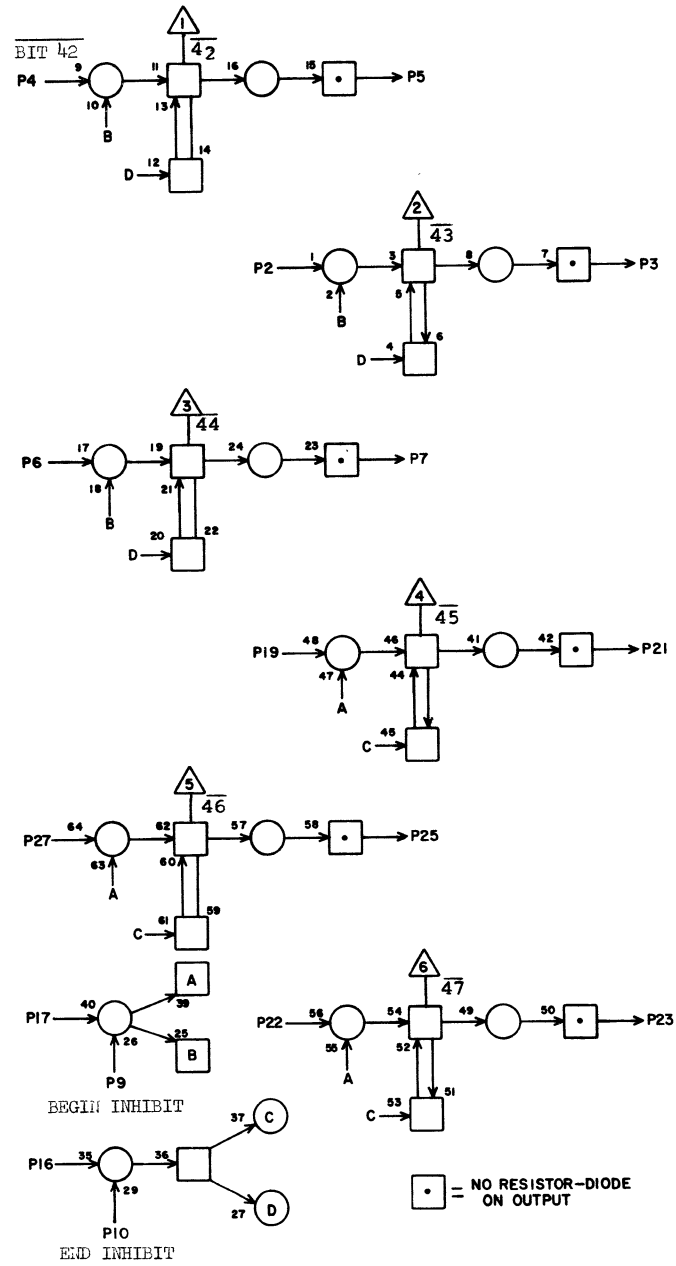
SPECIAL MODULE PZ 4 M35

1			
2	G36	9	25
3	N33	5	13
4	G36	5	25
5	N33	29	11
6	G36	26	25
7	N26	6	13
8			
9	M20	7	15
10	M20	17	17
11			
12			
13			
14			
15			
16	M21	25	15
17	M21	9	15
18			
19	G36	21	25
20			
21	N26	26	13
22	G37	9	27
23	N33	1	7
24			
25	N33	27	9
26			
27	G37	5	27
28			

JACK PIN LG

63019200 Rev. C

BANK 06 RESTORE



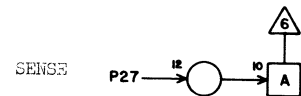
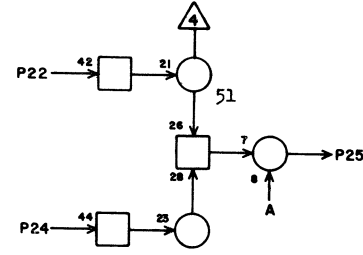
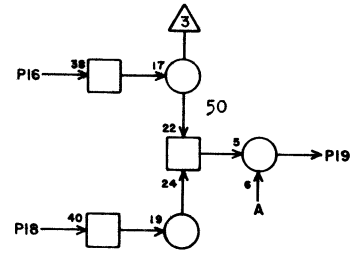
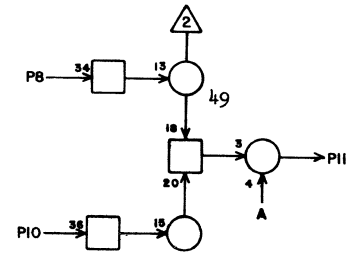
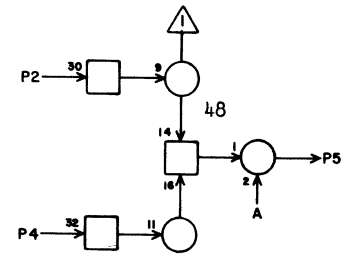
SPECIAL MODULE PZ 4M36

1			
2	G37	21	25
3	N26	4	15
4	G37	26	25
5	N26	28	15
6	G38	5	25
7	N33	3	9
8			
9	M20	9	17
10	M20	19	17
11			
12			
13			
14			
15			
16	M21	26	17
17	M21	10	17
18			
19	G38	9	27
20			
21	N33	25	11
22	G38	21	25
23	N26	2	13
24			
25	N26	30	15
26			
27	G38	26	25
28			

JACK PIN LG

63019200 Rev. C

BANK C6 SENSE



4M38

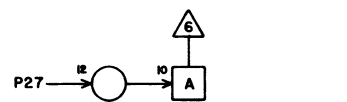
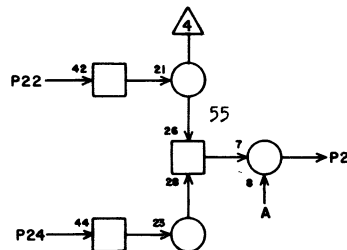
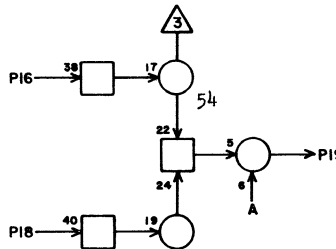
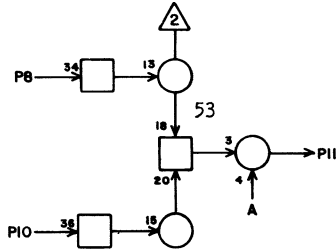
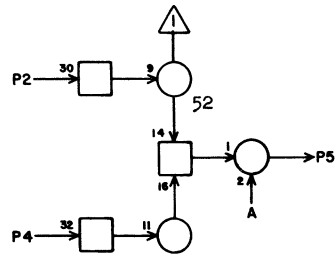
PS

1			
2	N35	1	9
3			
4	N35	3	9
5	H21	14	27
6			
7			
8	N35	27	11
9			
10	N35	29	11
11	H21	12	27
12			
13			
14			
15			
16	N42	28	11
17			
18	N42	30	11
19	H21	26	27
20			
21			
22	N42	2	7
23			
24	N42	4	7
25	H22	14	27
26	M34	28	7
27	M18	19	19
28	M39	26	3

JACK PIN LG

63019200 Rev. C

BANK 06 SENSE



SENSE

PS

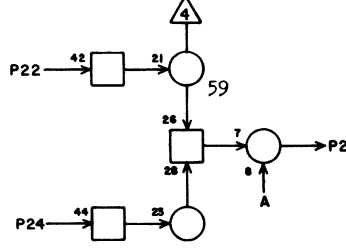
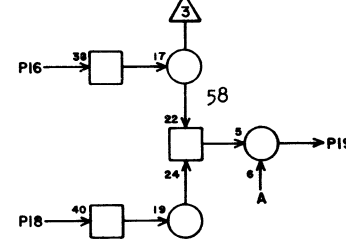
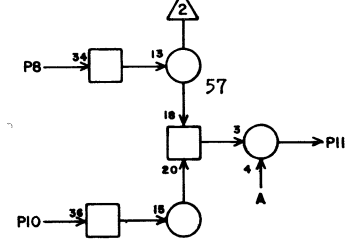
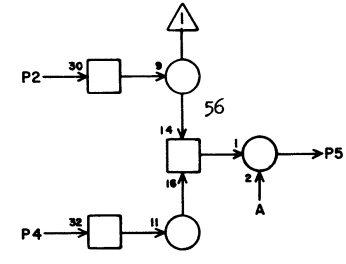
4 M39

1			
2	N35	5	11
3			
4	N35	7	11
5	H22	12	27
6			
7			
8	N35	23	11
9			
10	N35	25	11
11	H22	26	27
12			
13			
14			
15			
16	N42	6	9
17			
18	N42	8	9
19	H23	14	27
20			
21			
22	N42	24	11
23			
24	N42	26	11
25	H23	12	27
26	M38	28	3
27	M18	21	23
28	M40	26	3

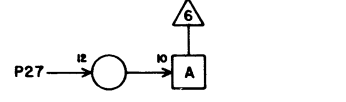
JACK PIN LG

63019200 Rev. C

BANK 06 SENSE



SENSE



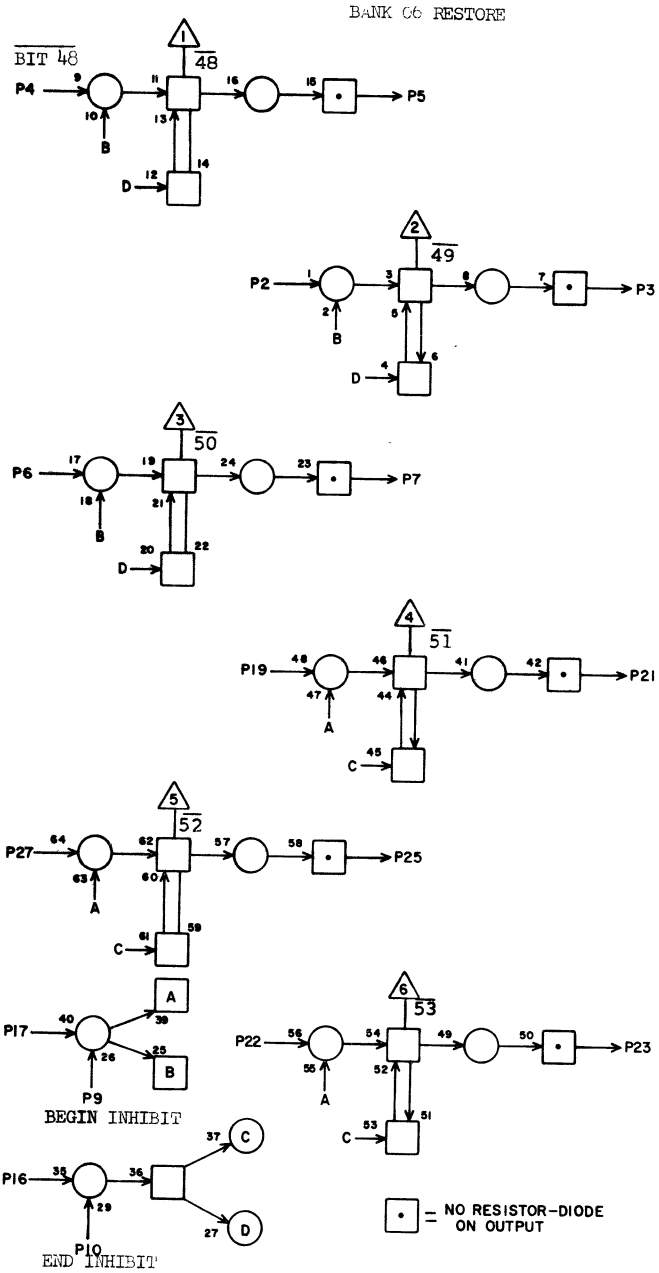
PS

4 M40

1			
2	N35	19	13
3			
4	N35	21	13
5	H23	26	27
6			
7			
8	N35	9	11
9			
10	N35	11	11
11	H24	14	27
12			
13			
14			
15			
16	N42	10	7
17			
18	N42	12	7
19	H24	12	27
20			
21			
22	N42	20	9
23			
24	N42	22	9
25	H24	26	27
26	M39	28	3
27	M18	23	23
28			

JACK PIN LG

63019200 Rev. C

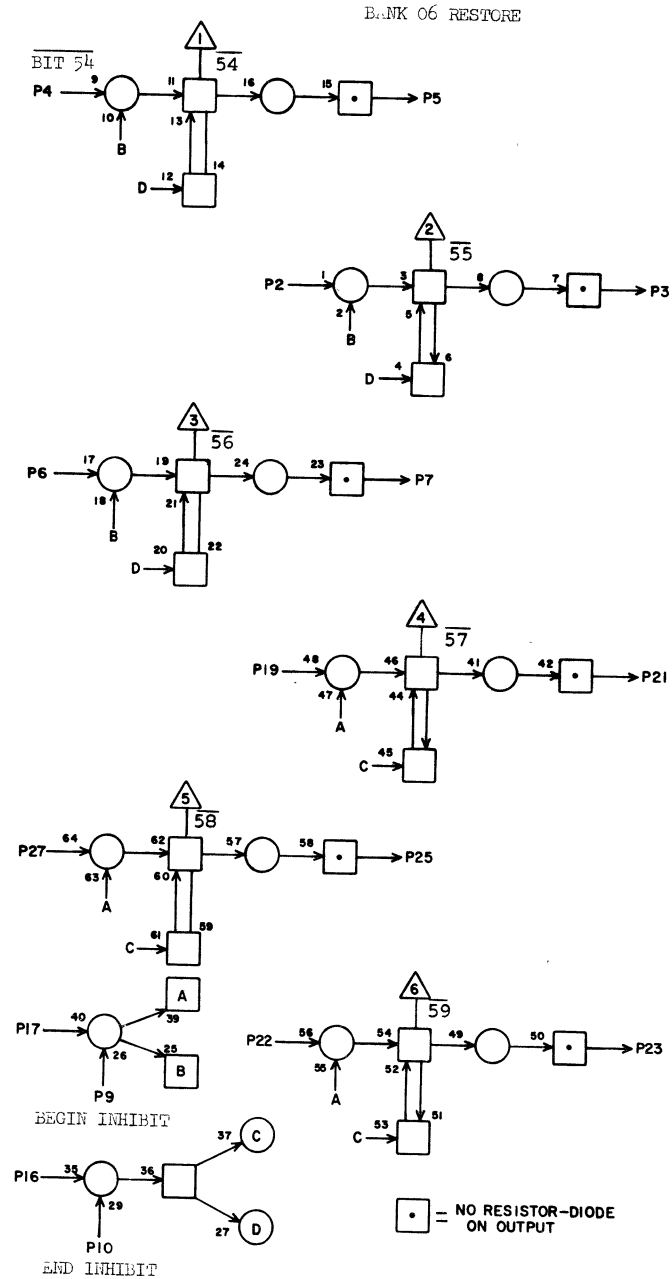


SPECIAL MODULE PZ 4M41

1			
2	G40	9	25
3	N42	5	9
4	G40	5	25
5	N42	29	11
6	G40	26	25
7	N35	6	13
8			
9	M20	11	23
10	M20	21	21
11			
12			
13			
14			
15			
16	M21	27	21
17	M21	11	21
18			
19	G40	21	25
20			
21	N35	26	13
22	G41	9	27
23	N42	1	7
24			
25	N42	27	9
26			
27	G41	5	27
28			

JACK PIN LG

63019200 Rev. C



SPECIAL MODULE PZ 4M42

1			
2	G41	21	25
3	N35	4	13
4	G41	26	25
5	N35	28	15
6	G42	5	25
7	N42	3	9
8			
9	M20	13	23
10	M20	23	23
11			
12			
13			
14			
15			
16	M21	28	23
17	M21	12	23
18			
19	G42	9	27
20			
21	N42	25	9
22	G42	21	25
23	N35	2	13
24			
25	N35	30	13
26			
27	G42	26	25
28			

JACK PIN LG

63019200 Rev. C

4N1		STORAGE MODULE		
1	M 1	2	9	
2	M 5	23	9	
3	M 1	4	9	
4	M 5	3	9	
5	M 2	2	9	
6	M 4	7	11	
7	M 2	4	9	
8	M23	19	23	
9	M 3	8	9	
10	M23	20	23	
11	M 3	10	9	
12	M25	19	25	
13				
14	M25	20	25	
15	M 1	X	2	
16	M25	2	25	
17				
18	M24	2	25	
19	M 3	2	11	
20	M22	20	23	
21	M 3	4	11	
22	M22	19	23	
23	M 2	8	11	
24	M25	3	25	
25	M 2	10	11	
26	M 4	21	11	
27	M 1	8	11	
28	M 5	5	11	
29	M 1	10	11	
30	M 5	25	11	

JACK PIN LG

FUNCTION PIN

Address
S⁰ 22
S¹ 20
S² 8
S³ 10
S⁴ 12
S⁵ 14
S⁶ 16
S⁷ 18
S¹⁰ 16
S¹¹ 16

Store
Z² 6
Z³ 26
Z⁴ 28
Z⁵ 4
Z⁶ 30
Z⁷ 2
Z¹⁰ 2
Z¹¹ 2

Read
2⁰ 1
2¹ 3
2² 27
2³ 29
2⁴ 5
2⁵ 7
2⁶ 23
2⁷ 19
2⁸ 21
2⁹ 9
2¹⁰ 11

Inhibit
S¹¹ 24

Power
+5 To Inhibit 13
+5 To Inhibit 17
Ground 15

4N8		STORAGE MODULE		
1	M 4	23	11	
2	M 1	22	11	
3	M 5	7	11	
4	M 1	24	11	
5	M 4	3	11	
6	M 2	16	11	
7	M22	2	17	
8	M 2	18	11	
9	M23	2	17	
10	M 3	16	11	
11	M24	20	17	
12	M 3	18	11	
13	M24	19	19	
14	+6 Bus			
15	M22	3	17	
16	N 8	X	2	
17	M23	3	19	
18				
19	M24	3	19	
20	M 3	22	11	
21	M14	24	11	
22	M 3	24	11	
23	M14	1	29	
24	M 2	22	11	
25	M 5	21	11	
26	M 2	24	11	
27	M 4	25	11	
28	M 1	16	13	
29	M 4	5	11	
30	M 1	18	13	

JACK PIN LG

FUNCTION PIN

Address
S⁴ 7
S⁵ 9
S⁶ 13
S⁷ 11

Store
Z⁰ 29
Z¹ 5
Z⁴ 27
Z⁵ 1
Z⁸ 3
Z⁹ 25

Read
2² 28
2³ 30
2⁴ 2
2⁵ 4
2⁶ 6
2⁷ 8
2⁸ 24
2⁹ 26
2¹⁰ 10
2¹⁰ 12
2¹¹ 20
2¹¹ 22

Inhibit
S⁴ 15
S⁵ 17
S¹⁰ 19

Control
Read Enable 23
Write Enable 21

Power
+8 To Drive 18
+6 To Drive 14
Ground 16

4N10		STORAGE MODULE		
1	M 7	2	9	
2	M11	23	7	
3	M 7	4	9	
4	M11	3	9	
5	M 8	2	9	
6	M10	7	9	
7	M 8	4	9	
8	M23	21	17	
9	M 9	8	9	
10	M23	22	17	
11	M 9	10	9	
12	M25	21	19	
13				
14	M25	22	17	
15	N10	X	2	
16	M25	4	19	
17				
18	M24	4	17	
19	M 9	2	11	
20	M22	22	15	
21	M 9	4	11	
22	M22	21	17	
23	M 8	8	11	
24	M25	5	19	
25	M 8	10	11	
26	M10	21	11	
27	M 7	8	11	
28	M11	5	11	
29	M 7	10	11	
30	M11	25	11	

JACK PIN LG

FUNCTION PIN

Address
S⁰ 22
S¹ 20
S² 8
S³ 10
S⁴ 12
S⁵ 14
S⁶ 16
S⁷ 16
S¹⁰ 16
S¹¹ 16

Store
Z² 6
Z³ 26
Z⁶ 28
Z⁷ 4
Z¹⁰ 30
Z¹¹ 2

Read
2⁰ 1
2¹ 3
2¹ 27
2¹ 29
2⁴ 5
2⁴ 7
2⁵ 23
2⁵ 25
2⁸ 19
2⁸ 21
2⁹ 9
2⁹ 11

Inhibit
S¹¹ 24

Power
+5 To Inhibit 13
+5 To Inhibit 17
Ground 15

4N16		STORAGE MODULE		
1	M10	23	11	
2	M 7	22	13	
3	M11	7	11	
4	M 7	24	13	
5	M10	3	13	
6	M 8	16	13	
7	M22	4	11	
8	M 8	18	13	
9	M23	4	13	
10	M 9	16	11	
11	M24	22	13	
12	M 9	18	11	
13	M24	21	13	
14	+6 Bus			
15	M22	5	13	
16	N16	X	2	
17	M23	5	13	
18				
19	M24	5	13	
20	M 9	22	11	
21	M14	25	9	
22	M 9	24	11	
23	M14	3	29	
24	M 8	22	13	
25	M11	21	11	
26	M 8	24	13	
27	M10	25	13	
28	M 7	16	13	
29	M10	5	13	
30	M 7	18	13	

JACK PIN LG

FUNCTION PIN

Address
S⁴ 7
S⁵ 9
S⁶ 13
S⁷ 11

Store
Z⁰ 29
Z¹ 5
Z⁴ 27
Z⁵ 1
Z⁸ 3
Z⁹ 25

Read
2² 28
2² 30
2³ 2
2³ 4
2⁶ 6
2⁶ 8
2⁷ 24
2⁷ 26
2¹⁰ 10
2¹⁰ 12
2¹¹ 20
2¹¹ 22

Inhibit
S⁴ 15
S⁵ 17
S¹⁰ 19

Control
Read Enable 23
Write Enable 21

Power
+8 To Drive 18
+6 To Drive 14
Ground 16

4N18

STORAGE
MODULE

1	M26	2	13
2	M30	23	15
3	M26	4	13
4	M30	3	17
5	M27	2	13
6	M29	7	15
7	M27	4	13
8	M23	23	11
9	M28	8	15
10	M23	24	11
11	M28	10	15
12	M25	23	13
13			
14	M25	24	11
15	M18	X	2
16	M25	6	13
17			
18	M24	6	13
19	M28	2	15
20	M22	24	11
21	M28	4	15
22	M22	23	11
23	M27	8	13
24	M25	7	13
25	M27	10	13
26	M29	21	15
27	M26	8	15
28	M30	5	17
29	M26	10	15
30	M30	25	17

JACK PIN LG

FUNCTION	PIN
Address	
S ⁰	22
S ¹	20
S ²	8
S ³	10
S ⁴	12
S ⁵	14
S ⁶	18
S ⁷	16
Store	
Z ²	6
Z ³	26
Z ⁶	28
Z ⁷	4
Z ¹⁰	30
Z ¹¹	2
Read	
Z ⁰	1
Z ²⁰	3
Z ²¹	27
Z ²⁴	29
Z ²⁴	5
Z ²⁵	7
Z ²⁵	23
Z ²⁸	25
Z ²⁸	19
Z ²⁹	21
Z ²⁹	9
Z ²⁹	11
Inhibit	
S ¹¹	24
Power	
+5 To Inhibit	13
+5 To Inhibit	17
Ground	15

FUNCTION	PIN
Address	
S ⁴	7
S ⁵	9
S ⁵	13
S ⁷	11
Store	
Z ⁰	29
Z ¹	5
Z ⁴	27
Z ⁵	1
Z ⁸	3
Z ⁹	25
Read	
Z ²	28
Z ²	30
Z ³	2
Z ³	4
Z ⁶	6
Z ⁶	8
Z ⁷	24
Z ⁷	26
Z ¹⁰	10
Z ¹⁰	12
Z ¹¹	20
Z ¹¹	22
Inhibit	
S ⁴	15
S ⁵	17
S ¹⁰	19
Control	
Read Enable	23
Write Enable	21
Power	
+8 To Drive	18
+6 To Drive	14
Ground	16

4N25

1	M29	23	9
2	M26	22	7
3	M30	7	11
4	M26	24	7
5	M29	3	11
6	M27	16	9
7	M22	6	11
8	M27	18	9
9	M23	6	11
10	M28	16	9
11	M24	24	9
12	M28	18	9
13	M24	23	9
14	+6 Bus		
15	M22	7	11
16	M25	X	2
17	M23	7	11
18			
19	M24	7	11
20	M28	22	9
21	M14	26	15
22	M28	24	9
23	M14	4	29
24	M27	22	9
25	M30	21	11
26	M27	24	9
27	M29	25	11
28	M26	16	11
29	M29	5	13
30	M26	18	11

JACK PIN LG

63019200 Rev. F

4N26

STORAGE
MODULE

1	M32	2	11
2	M36	23	13
3	M32	4	11
4	M36	3	15
5	M33	2	13
6	M35	7	13
7	M33	4	13
8	M23	25	9
9	M34	8	13
10	M23	26	9
11	M34	10	13
12	M25	25	7
13			
14	M25	26	7
15	M26	X	2
16	M25	8	11
17			
18	M24	8	11
19	M34	2	13
20	M22	26	11
21	M34	4	13
22	M22	25	11
23	M33	8	13
24	M25	9	11
25	M33	10	13
26	M35	21	13
27	M32	8	13
28	M36	5	15
29	M32	10	13
30	M36	25	15

JACK PIN LG

FUNCTION	PIN
Address	
S ⁰	22
S ¹	20
S ²	8
S ³	10
S ⁴	12
S ⁵	14
S ⁶	18
S ⁷	16
Store	
Z ²	6
Z ³	26
Z ⁶	28
Z ⁷	4
Z ¹⁰	30
Z ¹¹	2
Read	
Z ⁰	1
Z ²⁰	3
Z ²¹	27
Z ²¹	29
Z ²⁴	5
Z ²⁴	7
Z ²⁵	23
Z ²⁵	25
Z ²⁸	19
Z ²⁸	21
Z ²⁹	9
Z ²⁹	11
Inhibit	
S ¹¹	24
Power	
+5 To Inhibit	13
+5 To Inhibit	17
Ground	15

4N33

1	M35	23	7
2	M32	22	7
3	M36	7	9
4	M32	24	7
5	M35	3	13
6	M33	16	9
7	M22	8	15
8	M33	18	9
9	M23	8	15
10	M34	16	9
11	M24	26	13
12	M34	18	9
13	M24	25	13
14	+6 Bus		
15	M22	9	15
16	M35	X	2
17	M23	9	15
18			
19	M24	9	15
20	M34	22	9
21	M14	27	21
22	M34	24	9
23	M14	6	29
24	M33	22	9
25	M36	21	11
26	M33	24	9
27	M35	25	9
28	M32	16	3
29	M35	5	11
30	M32	18	11

JACK PIN LG

63019200 Rev. F

FUNCTION	PIN
Address	
S ⁴	7
S ⁵	9
S ⁵	13
S ⁷	11
Store	
Z ⁰	29
Z ¹	5
Z ⁴	27
Z ⁵	1
Z ⁸	3
Z ⁹	25
Read	
Z ²	28
Z ²	30
Z ³	2
Z ³	4
Z ⁶	6
Z ⁶	8
Z ⁷	24
Z ⁷	26
Z ¹⁰	10
Z ¹⁰	12
Z ¹¹	20
Z ¹¹	22
Inhibit	
S ⁴	15
S ⁵	17
S ¹⁰	19
Control	
Read Enable	23
Write Enable	21
Power	
+8 To Drive	18
+6 To Drive	14
Ground	16

4N35

STORAGE
MODULE

FUNCTION	PIN
Address	
S ⁰	22
S ¹	20
S ²	8
S ³	10
S ⁴	12
S ⁵	14
S ⁹	18
S ¹⁰	16
S ¹¹	
Store	
Z ²	6
Z ³	26
Z ⁶	28
Z ⁷	4
Z ¹⁰	30
Z ¹¹	2
Read	
Z ⁰	1
Z ¹	3
Z ¹	27
Z ¹	29
Z ⁴	5
Z ⁴	7
Z ⁵	23
Z ⁸	25
Z ⁸	19
Z ⁹	21
Z ⁹	9
Z ⁹	11
Inhibit	
S ¹¹	24
Power	
+5 To Inhibit	13
+5 To Inhibit	17
Ground	15

1	M38	2	9
2	M42	23	13
3	M38	4	9
4	M42	3	13
5	M39	2	11
6	M41	7	13
7	M39	4	11
8	M23	27	15
9	M40	8	11
10	M23	28	15
11	M40	10	11
12	M25	27	13
13			
14	M25	28	13
15	M35	X	2
16	M25	10	15
17			
18	M24	10	15
19	M40	2	13
20	M22	28	17
21	M40	4	13
22	M22	27	19
23	M39	8	11
24	M25	11	15
25	M39	10	11
26	M41	21	13
27	M38	8	11
28	M42	5	15
29	M38	10	11
30	M42	25	13

JACK PIN LG

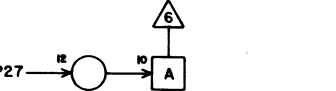
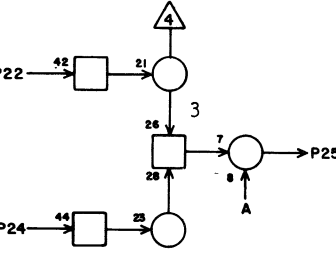
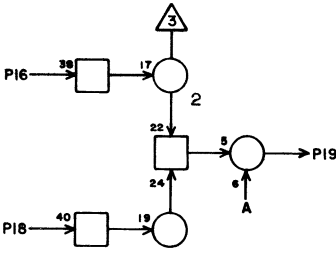
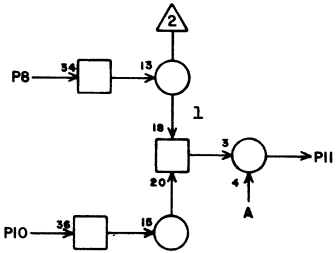
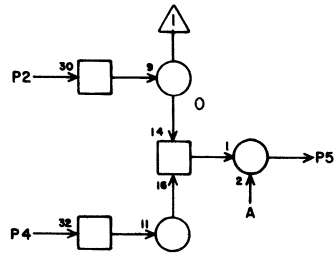
4N42

FUNCTION	PIN
Address	
S ⁴	7
S ⁵	9
S ⁶	13
S ⁷	11
Store	
Z ⁰	29
Z ¹	5
Z ⁴	27
Z ⁵	1
Z ⁸	3
Z ⁹	25
Read	
Z ²	28
Z ²	30
Z ³	2
Z ³	4
Z ⁶	6
Z ⁶	8
Z ⁷	24
Z ¹⁰	26
Z ¹⁰	10
Z ¹⁰	12
Z ¹¹	20
Z ¹¹	22
Inhibit	
S ⁴	15
S ⁵	17
S ¹⁰	19
Control	
Read Enable	23
Write Enable	21
Power	
+8 To Drive	18
+6 To Drive	14
Ground	16

1	M41	23	7
2	M38	22	7
3	M42	7	9
4	M38	24	7
5	M41	3	9
6	M39	16	9
7	M22	10	23
8	M39	18	9
9	M23	10	21
10	M40	16	7
11	M24	28	19
12	M40	18	7
13	M24	27	19
14	+6 Bus		
15	M22	11	23
16	M42	X	2
17	M23	11	21
18			
19	M24	11	21
20	M40	22	9
21	M14	28	29
22	M40	24	9
23	M14	7	29
24	M39	22	11
25	M42	21	9
26	M39	24	11
27	M41	25	9
28	M38	16	11
29	M41	5	11
30	M38	18	11

JACK PIN LG

BANK C7 SENSE



SENSE

PS

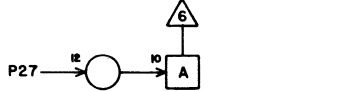
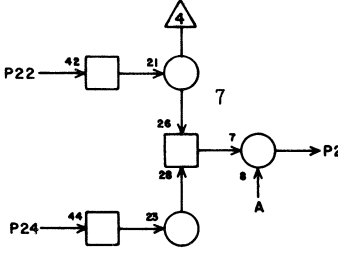
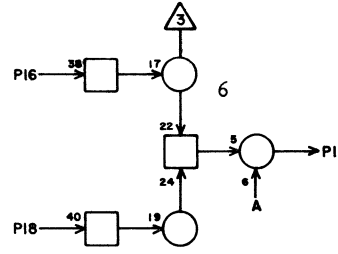
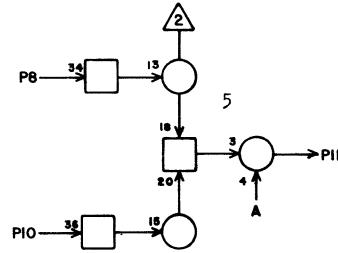
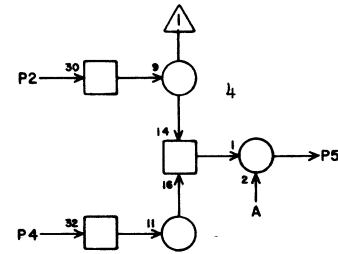
4P1

1			
2	Q 1	1	9
3			
4	Q 1	3	9
5	H 1	18	31
6			
7			
8	Q 1	27	11
9			
10	Q 1	29	11
11	H 1	10	33
12			
13			
14			
15			
16	Q 8	28	11
17			
18	Q 8	30	11
19	H 1	27	31
20			
21			
22	Q 8	2	11
23			
24	Q 8	4	11
25	H 2	18	33
26	P14	15	15
27	P18	5	19
28	P 2	26	3

JACK PIN LG

63019200 Rev. C

BANK C7 SENSE



SENSE

PS

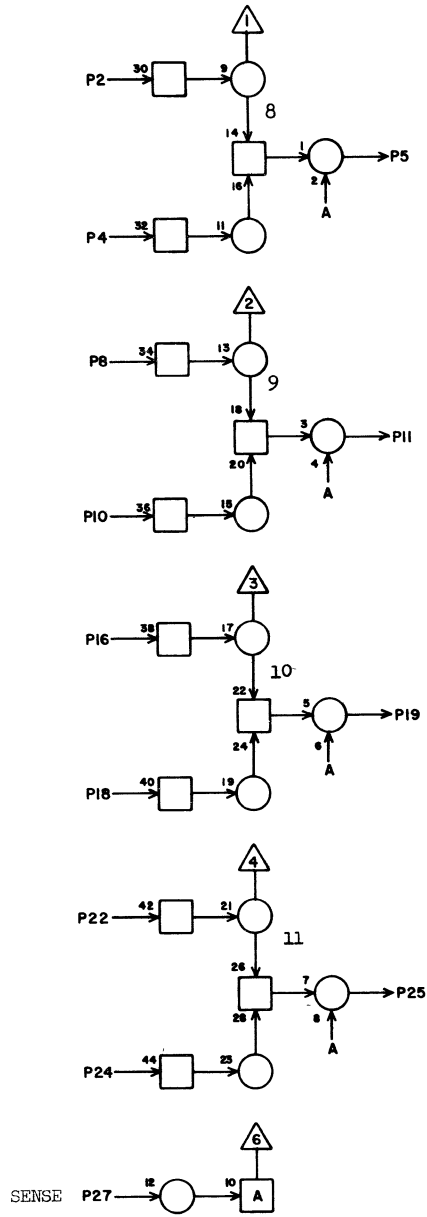
4 P2

1			
2	Q 1	5	9
3			
4	Q 1	7	9
5	H 2	10	33
6			
7			
8	Q 1	23	9
9			
10	Q 1	25	9
11	H 2	27	31
12			
13			
14			
15			
16	Q 8	6	11
17			
18	Q 8	8	11
19	H 3	18	33
20			
21			
22	Q 8	24	11
23			
24	Q 8	26	11
25	H 3	10	33
26	P 1	28	3
27	P18	7	17
28	P 3	26	3

JACK PIN LG

63019200 Rev. C

BANK 07 SENSE



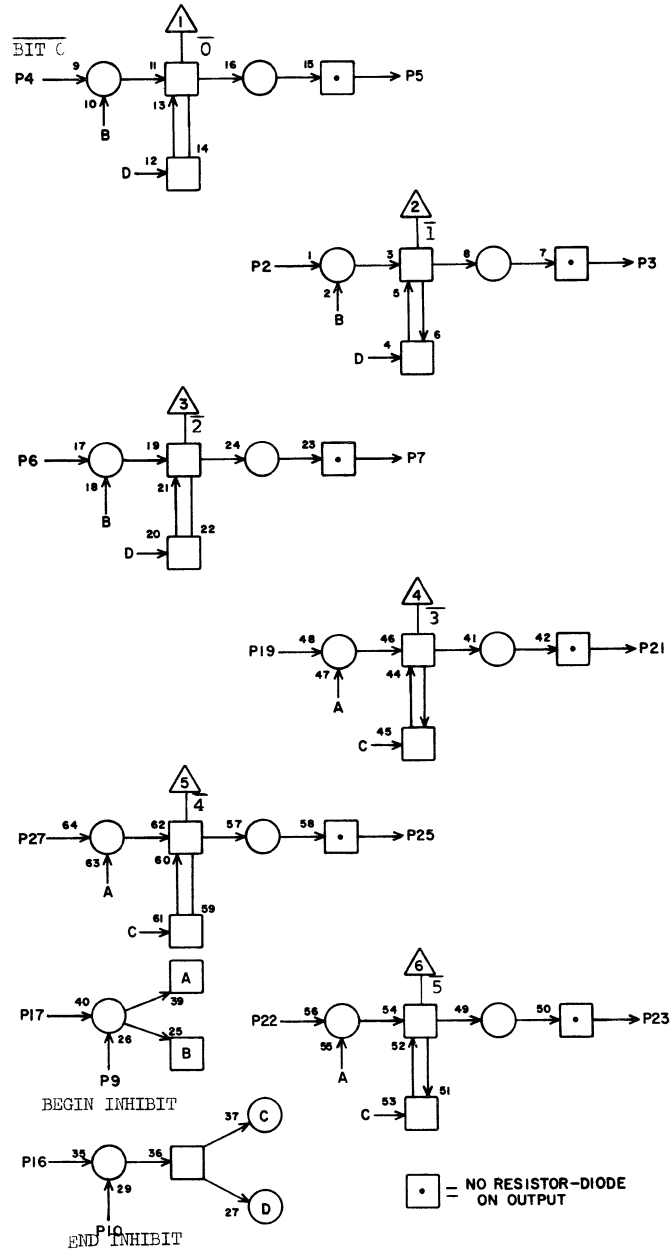
PS

4P3

1			
2	Q 1	19	11
3			
4	Q 1	21	11
5	H 3	27	31
6			
7			
8	Q 1	9	9
9			
10	Q 1	11	9
11	H 4	18	33
12			
13			
14			
15			
16	Q 8	10	9
17			
18	Q 8	12	9
19	H 4	10	33
20			
21			
22	Q 8	20	11
23			
24	Q 8	22	11
25	H 4	27	33
26	P 2	28	3
27	P18	9	17
28	P 7	26	7
	JACK	PIN	LG

63019200 Rev. C

BANK 07 RESTORE



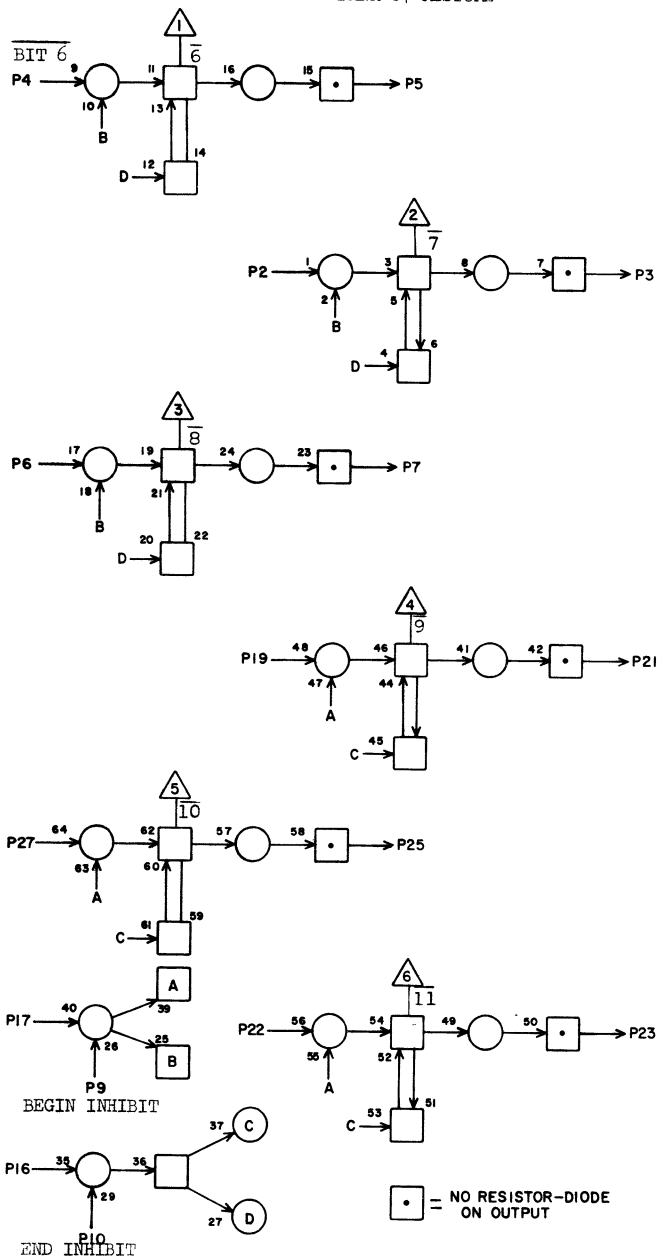
□ = NO RESISTOR-DIODE ON OUTPUT

SPECIAL MODULE P2 4P4

1			
2	G24	10	39
3	Q 8	5	11
4	G24	6	39
5	Q 8	29	11
6	G24	27	39
7	Q 1	6	11
8			
9	P20	6	17
10	P20	16	17
11			
12			
13			
14			
15			
16	P21	19	19
17	P21	1	19
18			
19	G24	20	39
20			
21	Q 1	26	11
22	G25	10	41
23	Q 8	1	9
24			
25	Q 8	27	11
26			
27	G25	6	41
28			
	JACK	PIN	LG

63019200 Rev. C

BANK C7 RESTORE



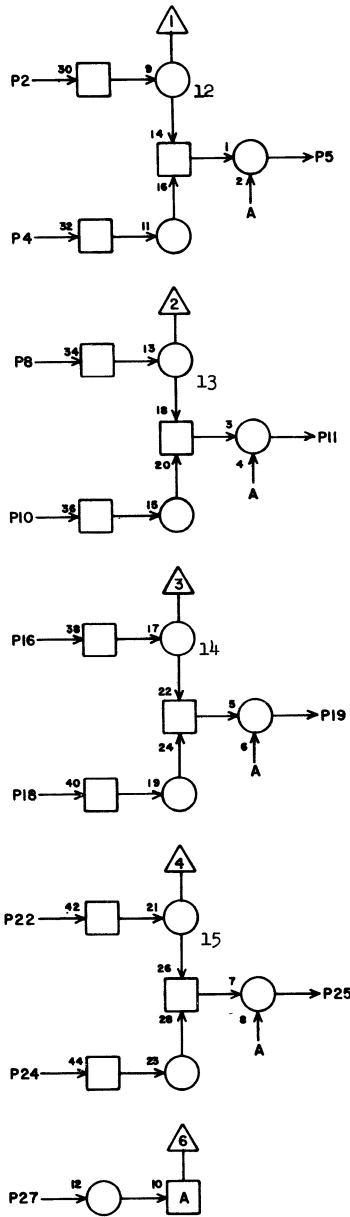
SPECIAL MODULE Pz 4P5

1			
2	G25	20	39
3	Q 1	4	11
4	G25	27	39
5	Q 1	28	13
6	G26	6	41
7	Q 8	3	9
8			
9	P20	8	17
10	P20	18	17
11			
12			
13			
14			
15			
16	P21	20	17
17	P21	2	17
18			
19	G26	10	41
20			
21	Q 8	25	11
22	G26	20	41
23	Q 1	2	9
24			
25	Q 1	30	11
26			
27	G26	27	41
28			

JACK PIN LG

63019200 Rev. C

BANK C7 SENSE



SENSE

PS

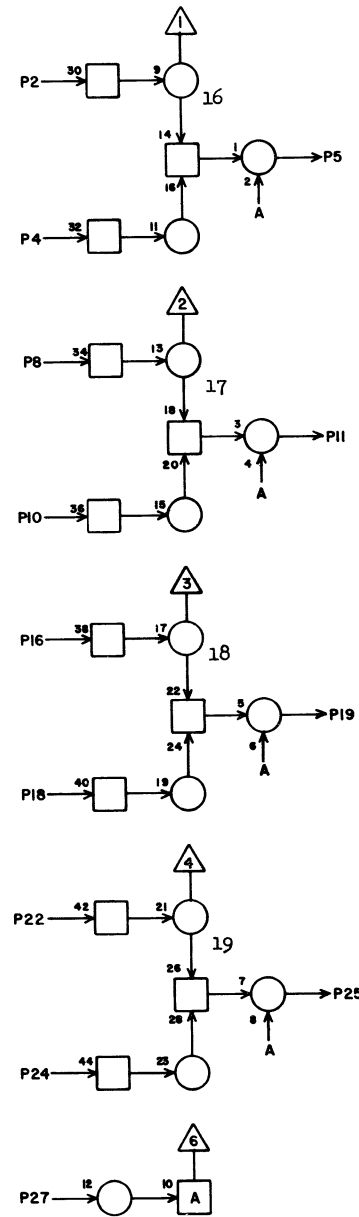
4P7

1			
2	Q10	1	9
3			
4	Q10	3	9
5	H 6	18	31
6			
7			
8	Q10	27	11
9			
10	Q10	29	11
11	H 6	10	33
12			
13			
14			
15			
16	Q16	28	13
17			
18	Q16	30	13
19	H 6	27	31
20			
21			
22	Q16	2	13
23			
24	Q16	4	13
25	H 7	18	33
26	P 3	28	7
27	P18	11	13
28	P 8	26	3

JACK PIN LG

63019200 Rev. C

BANK C7 SENSE



SENSE

PS

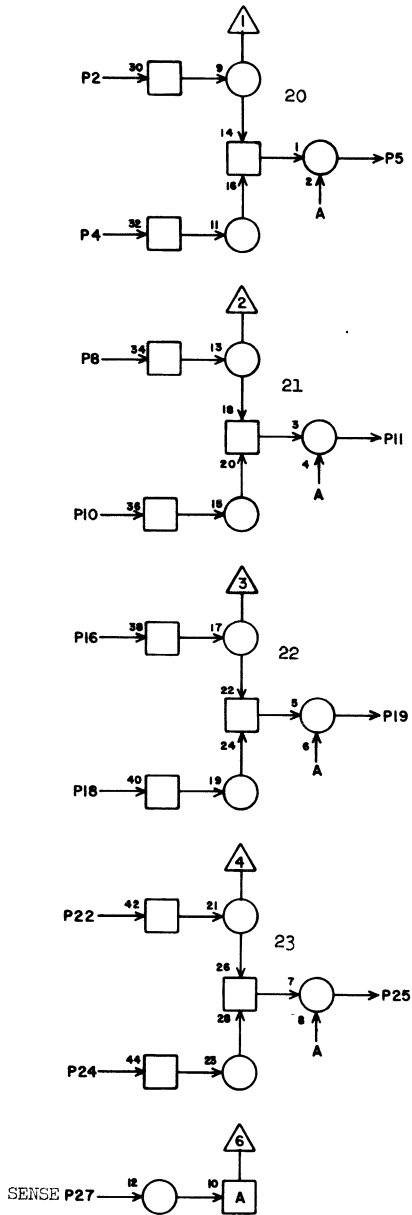
4P8

1			
2	Q10	5	11
3			
4	Q10	7	11
5	H 7	10	33
6			
7			
8	Q10	23	11
9			
10	Q10	25	11
11	H 7	27	31
12			
13			
14			
15			
16	Q16	6	13
17			
18	Q16	8	13
19	H 8	18	33
20			
21			
22	Q16	24	13
23			
24	Q16	26	13
25	H 8	10	33
26	P 7	28	3
27	P18	13	13
28	P 9	26	3

JACK PIN LG

63019200 Rev. C

BANK 07 SENSE



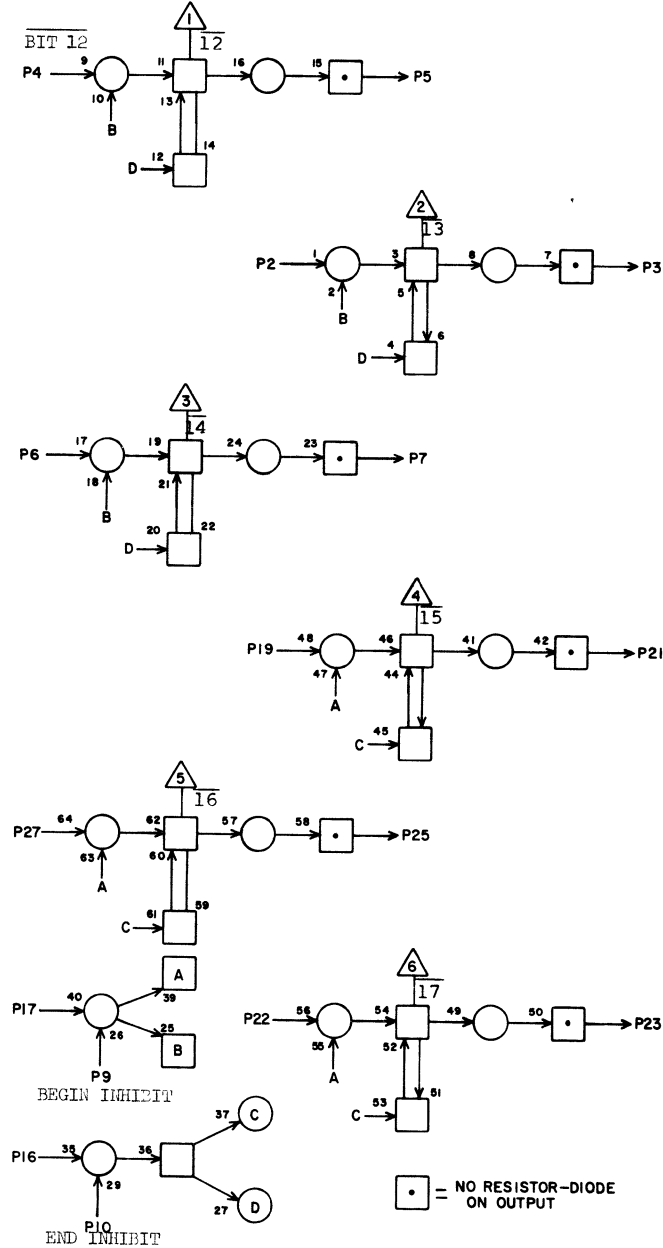
PS 4 P9

1			
2	Q10	19	11
3			
4	Q10	21	11
5	H 8	27	31
6			
7			
8	Q10	9	9
9			
10	Q10	11	9
11	H 9	18	31
12			
13			
14			
15			
16	Q16	10	11
17			
18	Q16	12	11
19	H 9	10	33
20			
21			
22	Q16	20	11
23			
24	Q16	22	11
25	H 9	27	33
26	P 8	28	3
27	P18	16	11
28	P26	26	19

JACK PIN LG

63019200 Rev. C

BANK 07 RESTORE



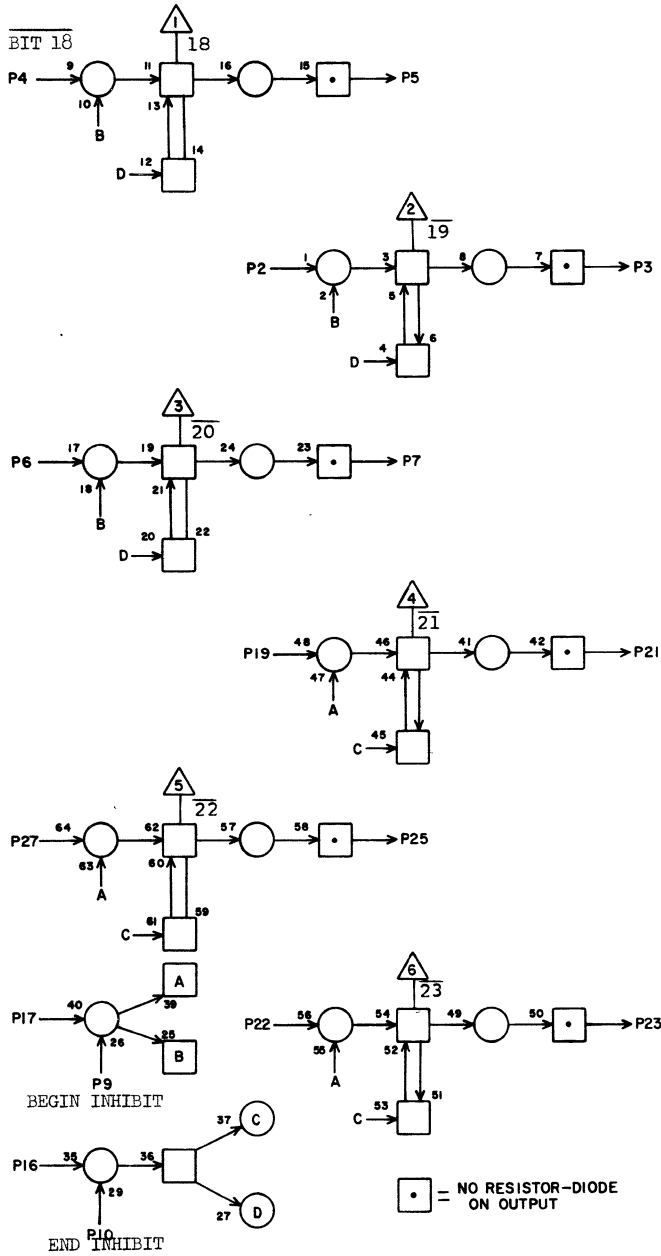
SPECIAL MODULE PZ 4P10

1			
2	G28	10	39
3	Q16	5	11
4	G28	6	39
5	Q16	29	13
6	G28	27	39
7	Q10	6	9
8			
9	P20	10	11
10	P20	20	11
11			
12			
13			
14			
15			
16	P21	21	13
17	P21	4	13
18			
19	G28	20	39
20			
21	Q10	26	9
22	G29	10	41
23	Q16	1	11
24			
25	Q16	27	11
26			
27	G29	6	41
28			

JACK PIN LG

63019200 Rev. C

BANK 07 RESTORE



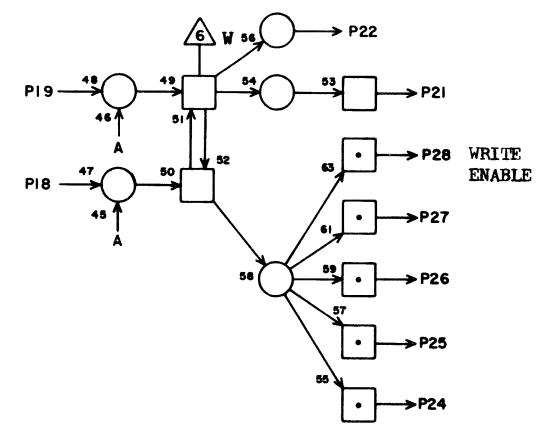
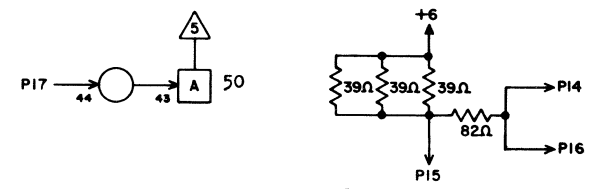
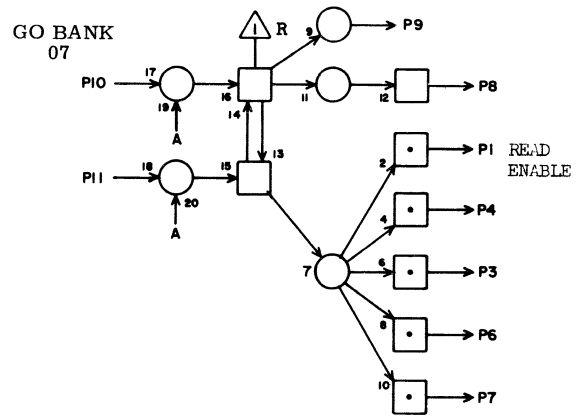
SPECIAL MODULE PZ 4P11

1			
2	G29	20	39
3	Q10	4	9
4	G29	27	39
5	Q10	28	11
6	G30	6	41
7	Q16	3	11
8			
9	P20	12	11
10	P20	22	11
11			
12			
13			
14			
15			
16	P21	22	13
17	P21	6	13
18			
19	G30	10	41
20			
21	Q16	25	11
22	G30	20	41
23	Q10	2	7
24			
25	Q10	30	9
26			
27	G30	27	41
28			

JACK PIN LG

63019200 Rev. C

BANK 07
STORAGE SEQUENCE CONTROL

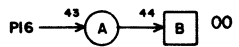
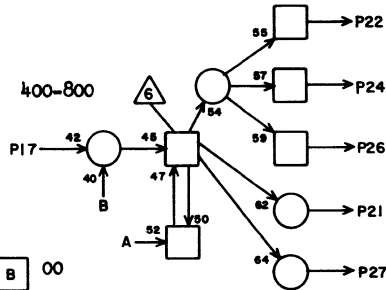
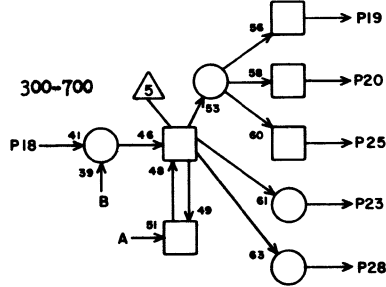
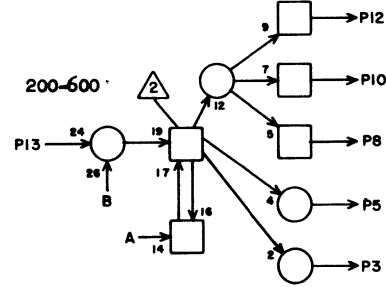
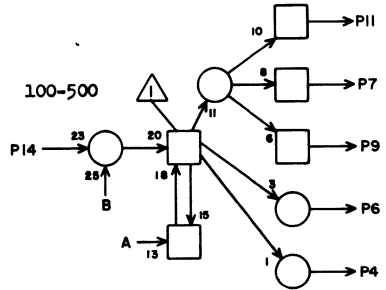


□ = NO RESISTOR-DIODE ON OUTPUT

SPECIAL MODULE PU **4 P14**

JACK	PIN	LG
1	Q 8	23 29
2		
3	Q16	23 29
4	Q25	23 29
5		
6	Q33	23 29
7	Q42	23 29
8	F13	22 38
9	G 7	24 35
10	G05	9 39
11	F16	20 180
12		
13		
14	M14	16 13
15	P 1	26 15
16		
17	Gnd	X7 2
18	F17	6 7
19	F18	28 180
20		
21	P17	13 7
22	G 7	26 37
23		
24	Q 8	21 11
25	Q16	21 9
26	Q25	21 15
27	Q33	21 21
28	Q42	21 29

BANK 07
STORAGE SEQUENCE CONTROL



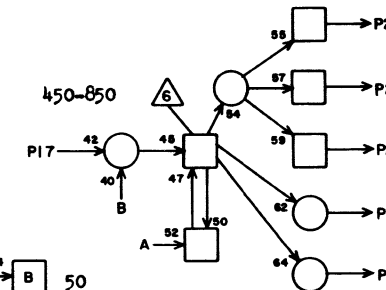
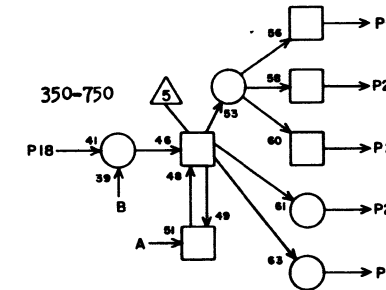
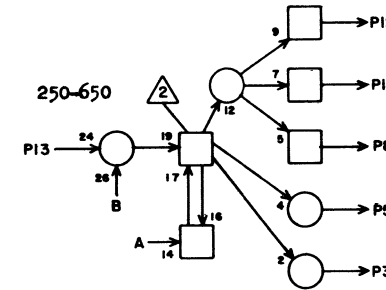
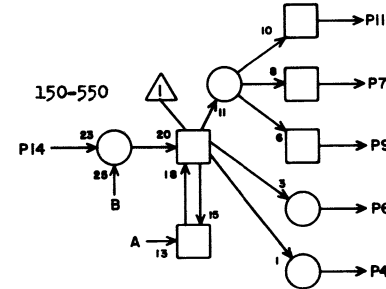
PD **4 P15**

1			
2			
3			
4			
5			
6			
7			
8	P16	13	5
9			
10		1	
11	P16	14	3
12			
13	P16	7	5
14	P13	21	30
15			
16	G22	23	35
17	P16	20	3
18	P16	8	5
19			
20	P16	18	3
21			
22	P16	17	3
23			
24			
25			
26			
27			
28			

JACK PIN LG

63019200 Rev. P

BANK 07
STORAGE SEQUENCE CONTROL



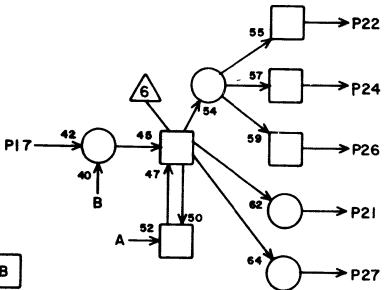
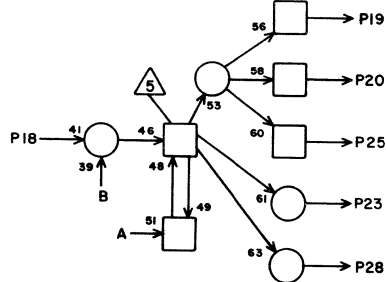
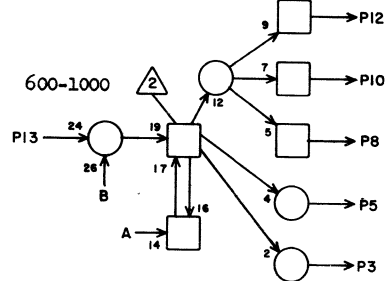
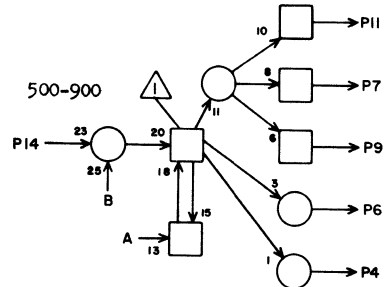
PD **4P16**

1			
2			
3			
4			
5			
6			
7	P15	13	5
8	P15	18	5
9	P19	3	7
10	P18	1	7
11			
12			
13	P15	8	5
14	P15	11	3
15			
16	P21	18	7
17	P15	22	5
18	P15	20	3
19			
20	P15	17	3
21	P19	2	7
22	P17	14	5
23	G 7	28	37
24	P19	1	7
25			
26	P14	11	120
27			
28	P18	3	7

JACK PIN LG

63019200 Rev. P

BANK 07
STORAGE SEQUENCE CONTROL



PD 4P17

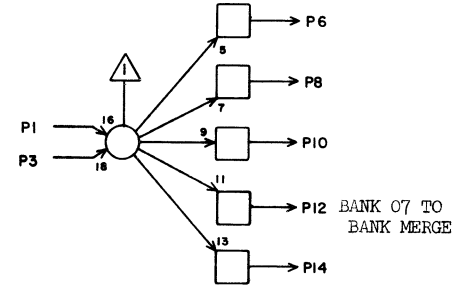
1			
2			
3			
4			
5			
6	P14	18	7
7	F13	24	108
8			
9			
10			
11			
12			
13	P14	21	7
14	P16	22	5
15			
16	G22	24	35
17			
18			
19			
20			
21			
22			
23			
24			
25			
26			
27			
28			

JACK PIN LG

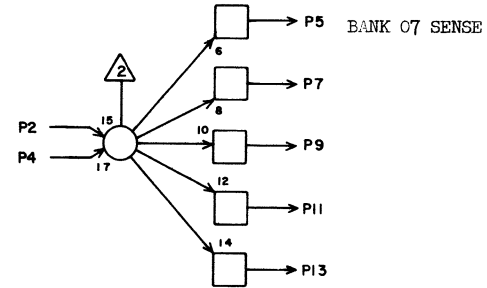
63019200 Rev. L

BANK 07
STORAGE SEQUENCE CONTROL

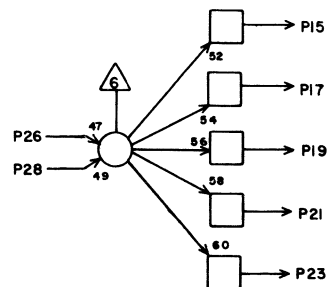
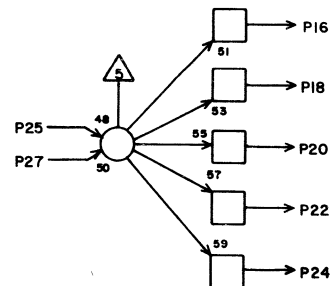
Sense Amplifier Gates



BANK 07 TO
BANK MERGE



BANK 07 SENSE



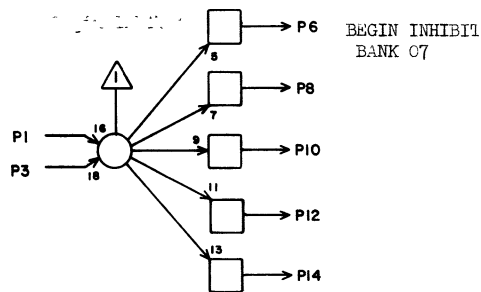
T D 4P18

1	P16	10	7
2	P18	6	3
3	P16	28	7
4	P18	X	2
5	P 1	27	19
6	P18	2	3
7	P 2	27	17
8	P18	25	5
9	P 3	27	17
10	P18	26	5
11	P 7	27	13
12	G17	11	35
13	P 8	27	13
14			
15	P33	27	17
16	P 9	27	11
17	P34	27	17
18	P26	27	11
19	P38	27	21
20	P27	27	13
21	P39	27	23
22	P28	27	13
23	P40	27	13
24	P32	27	17
25	P18	8	5
26	P18	10	5
27	P18	X	2
28	P18	X	2

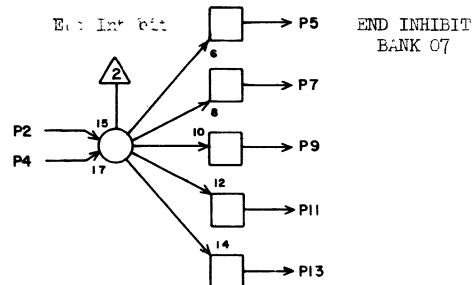
JACK PIN LG

63019200 Rev. L

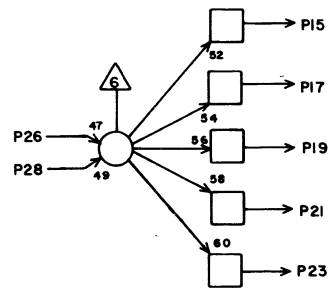
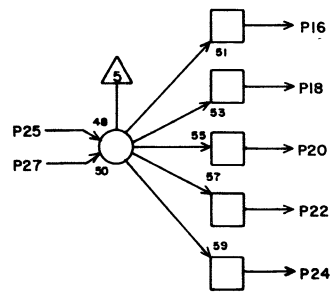
BANK 07
STORAGE SEQUENCE CONTROL



BEGIN INHIBIT
BANK 07



END INHIBIT
BANK 07



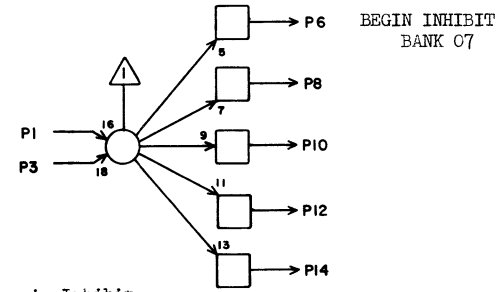
T D 4 P19

1	P16	24	7
2	P16	21	7
3	P16	9	7
4	P19	X	2
5	P20	25	5
6	P20	3	5
7	P20	26	5
8	P20	2	3
9			
10			
11			
12			
13			
14			
15			
16			
17			
18			
19			
20			
21			
22			
23			
24			
25			
26			
27			
28			

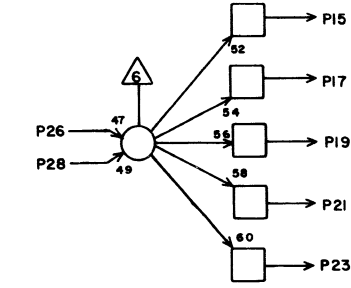
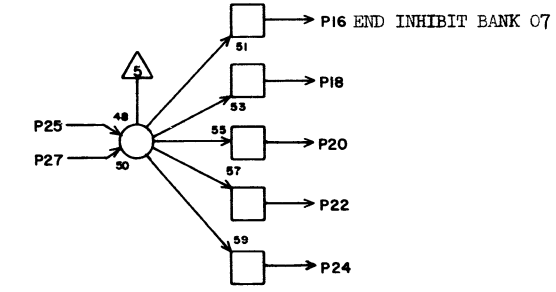
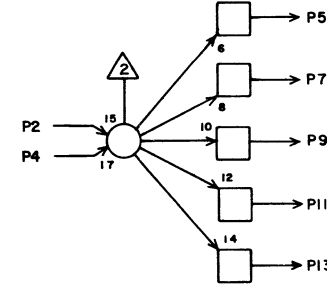
JACK PIN LG

63019200 Rev. C

BANK 07
STORAGE SEQUENCE CONTROL



BEGIN INHIBIT
BANK 07

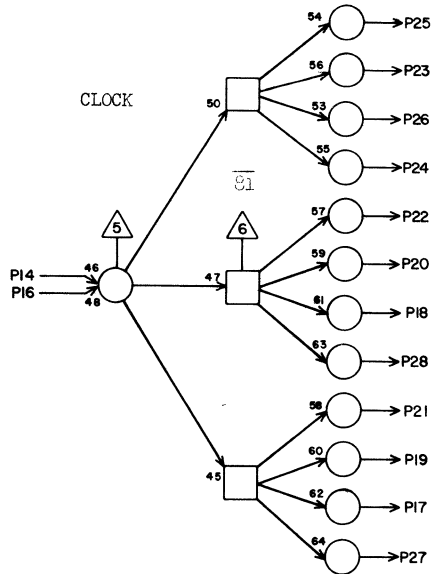
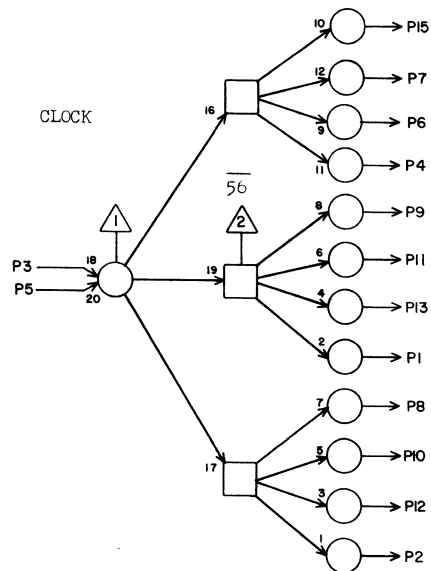


T D 4P20

1	P20	X	2
2	P19	8	3
3	P19	6	5
4	P20	X	2
5	P30	9	13
6	P 4	9	17
7	P35	9	17
8	P 5	9	17
9	P36	9	17
10	P10	9	11
11	P41	9	23
12	P11	9	11
13	P42	9	23
14	P29	9	13
15	P30	10	13
16	P 4	10	17
17	P35	10	17
18	P 5	10	17
19	P36	10	17
20	P10	10	11
21	P41	10	21
22	P11	10	11
23	P42	10	23
24	P29	10	13
25	P19	5	3
26	P19	7	5
27	P20	X	2
28	P20	X	2

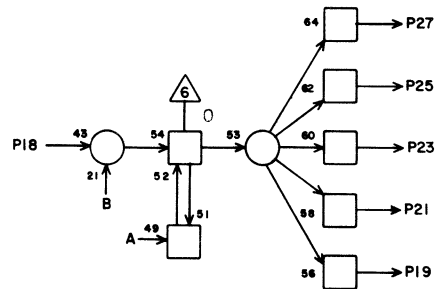
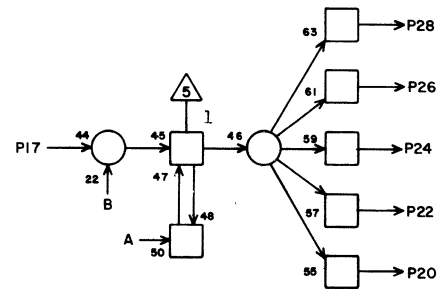
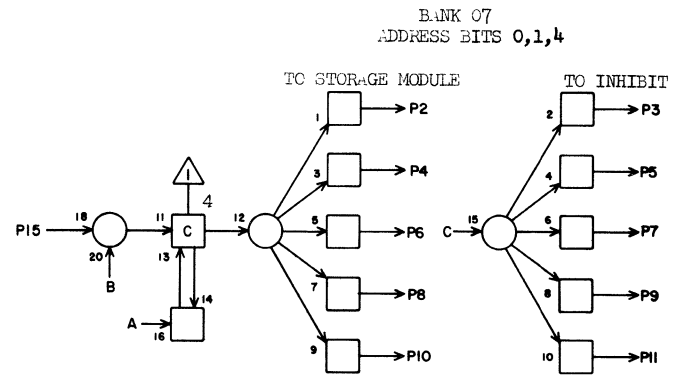
JACK PIN LG

63019200 Rev. C

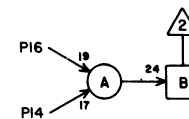


TC		4P21	
JACK	PIN	LG	
1	P 4	17	19
2	P 5	17	17
3	G10	22	37
4	P10	17	13
5	P21	X	2
6	P11	17	13
7	P29	17	11
8	P30	17	13
9	P35	17	19
10	P36	17	19
11	P41	17	21
12	P42	17	23
13	P24	14	7
14	G10	21	39
15	P25	14	7
16	P21	X	2
17	F . .		
18	P16	16	7
19	P 4	16	19
20	P 5	16	17
21	P10	16	13
22	P11	16	13
23	P29	16	11
24	P30	16	13
25	P35	16	15
26	P36	16	17
27	P41	16	21
28	P42	16	23

63019200 Rev. L



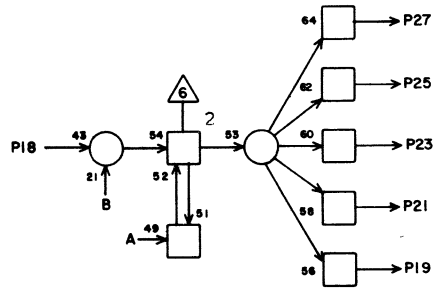
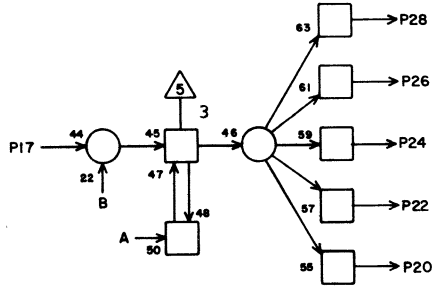
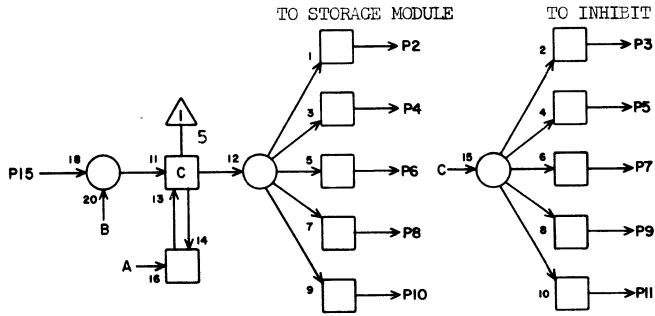
07 FREE
CLOCK



SA		4P22	
JACK	PIN	LG	
1			
2	Q 8	7	17
3	Q 8	15	17
4	Q16	7	11
5	Q16	15	13
6	Q25	7	11
7	Q25	15	11
8	Q33	7	15
9	Q33	15	15
10	Q42	7	23
11	Q42	15	21
12			
13			
14	M21	13	15
15	G 2	6	41
16	G19	15	37
17	G 1	10	41
18	G 1	6	41
19	Q 1	22	23
20	Q 1	20	23
21	Q10	22	17
22	Q10	20	15
23	Q18	22	11
24	Q18	20	11
25	Q26	22	11
26	Q26	20	11
27	Q35	22	15
28	Q35	20	17

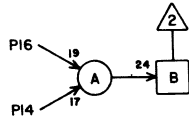
63019200 Rev. C

BANK 07
ADDRESS BITS 2,3,5



07 FREE

CLOCK



SA

4P23

1			
2	Q 8	9	17
3	Q 8	17	19
4	Q16	9	13
5	Q16	17	13
6	Q25	9	11
7	Q25	17	11
8	Q33	9	13
9	Q33	17	15
10	Q42	9	21
11	Q42	17	21
12			
13			
14	M21	15	15
15	G 2	10	41
16	G19	17	37
17	G 1	23	41
18	G 1	27	41
19	Q 1	8	23
20	Q 1	10	23
21	Q10	8	17
22	Q10	10	17
23	Q19	8	11
24	Q18	10	11
25	Q26	8	9
26	Q26	10	9
27	Q35	8	15
28	Q35	10	15

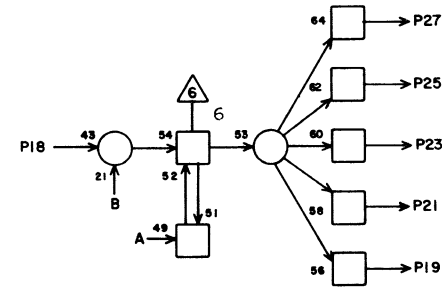
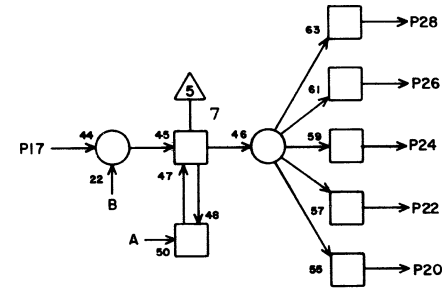
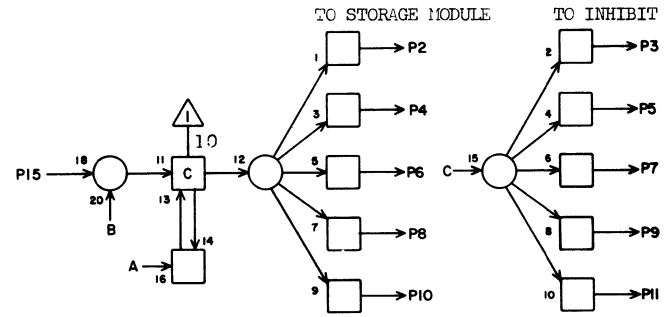
JACK

PIN

LG

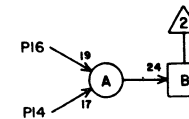
63019200 Rev. C

BANK 07
ADDRESS BITS 6,7,10



07 FREE

CLOCK



SA

4P24

1			
2	Q 1	18	25
3	Q 8	19	19
4	Q10	18	19
5	Q16	19	13
6	Q18	18	13
7	Q25	19	11
8	Q26	18	11
9	Q33	19	15
10	Q35	18	15
11	Q42	19	21
12			
13			
14	P21	13	7
15	G 3	27	41
16	G19	19	37
17	G 2	23	41
18	G 2	27	41
19	Q 8	13	19
20	Q 8	11	19
21	Q16	13	13
22	Q16	11	13
23	Q25	13	9
24	Q25	11	9
25	Q33	13	13
26	Q33	11	13
27	Q42	13	19
28	Q42	11	19

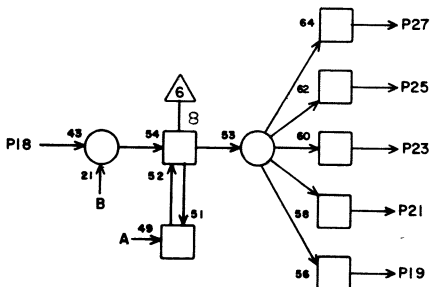
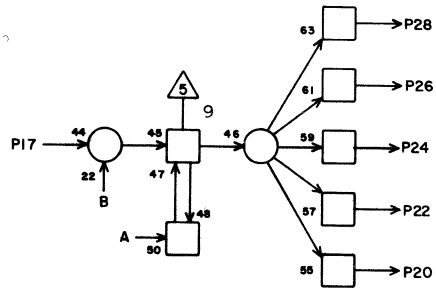
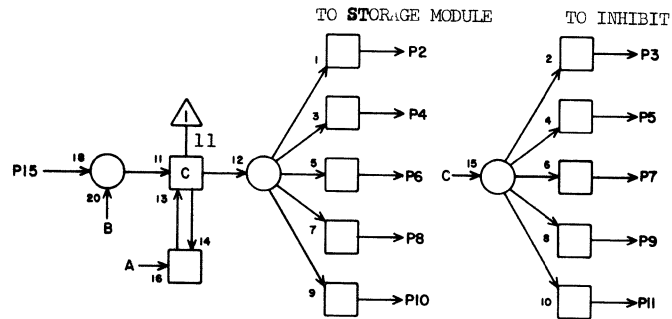
JACK

PIN

LG

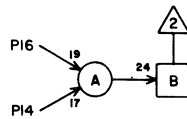
63019200 Rev. C

BANK 07
ADDRESS BITS 8,9,11



07 FREE

CLOCK



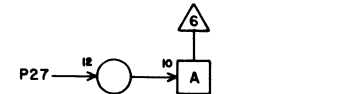
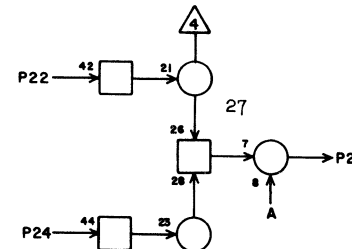
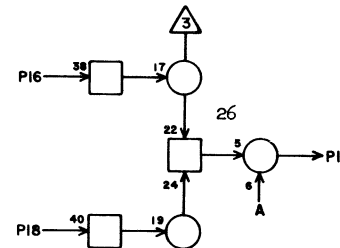
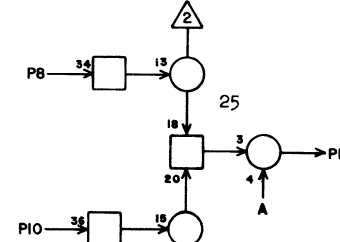
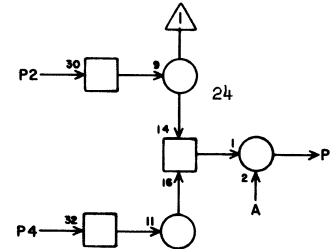
SA **4P25**

1			
2	Q 1	16	25
3	Q 1	24	25
4	Q10	16	19
5	Q10	24	19
6	Q18	16	13
7	Q18	24	13
8	Q26	16	11
9	Q26	24	11
10	Q35	16	15
11	Q35	24	15
12			
13			
14	P21	15	7
15	G 3	23	41
16	G19	21	37
17	G 3	10	41
18	G 3	6	41
19	Q 1	12	25
20	Q 1	14	25
21	Q10	12	19
22	Q10	14	19
23	Q18	12	13
24	Q18	14	13
25	Q26	12	9
26	Q26	14	9
27	Q35	12	13
28	Q35	14	13

JACK PIN LG

63019200 Rev R

BANK 07 SENSE



SENSE

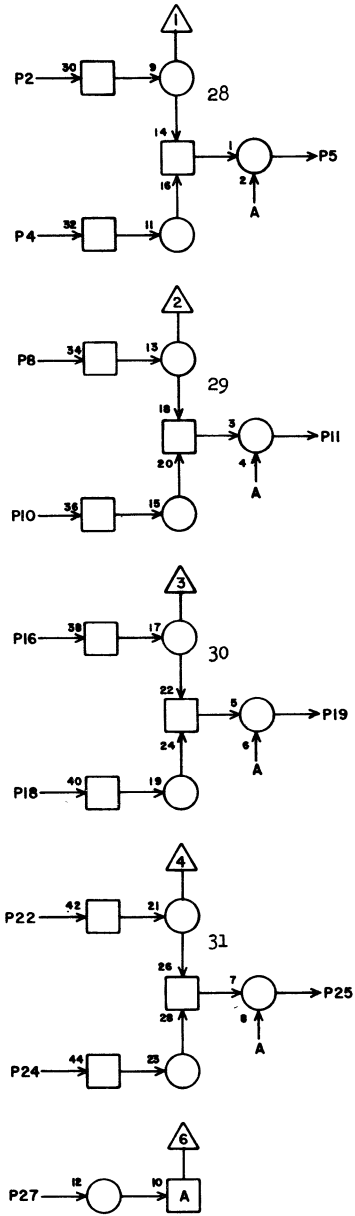
PS **4P26**

1			
2	Q18	1	13
3			
4	Q18	3	13
5	H11	18	35
6			
7			
8	Q18	27	15
9			
10	Q18	29	15
11	H11	10	35
12			
13			
14			
15			
16	Q25	28	11
17			
18	Q25	30	11
19	H11	27	35
20			
21			
22	Q25	2	7
23			
24	Q25	4	7
25	H12	18	35
26	P 9	28	19
27	P18	18	11
28	P27	26	3

JACK PIN LG

63019200 Rev. C

BANK 07 SENSE



SENSE

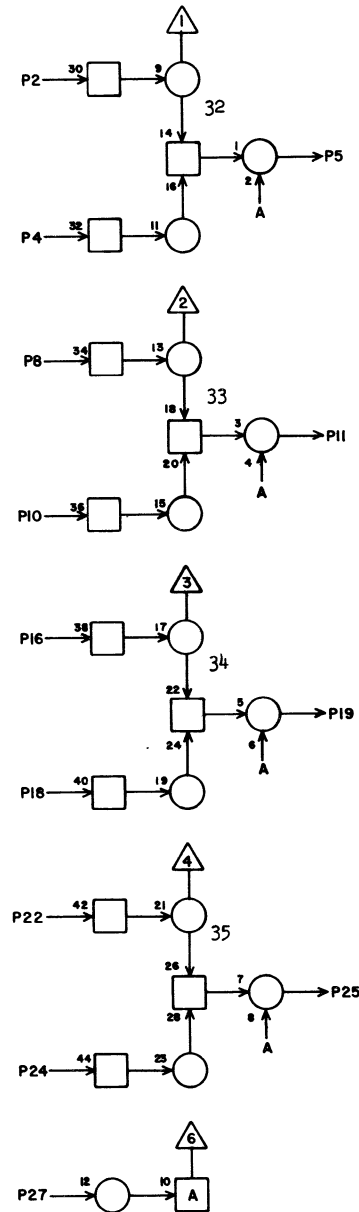
PS

4P27

1			
2	Q18	5	13
3			
4	Q18	7	13
5	H12	10	35
6			
7			
8	Q18	23	15
9			
10	Q18	25	15
11	H12	27	35
12			
13			
14			
15			
16	Q25	6	9
17			
18	Q25	8	9
19	H13	18	35
20			
21			
22	Q25	24	9
23			
24	Q25	26	9
25	H13	10	35
26	P26	28	3
27	P18	20	13
28	P28	26	3

JACK PIN LG
63019200 Rev. C

BANK 07 SENSE



SENSE

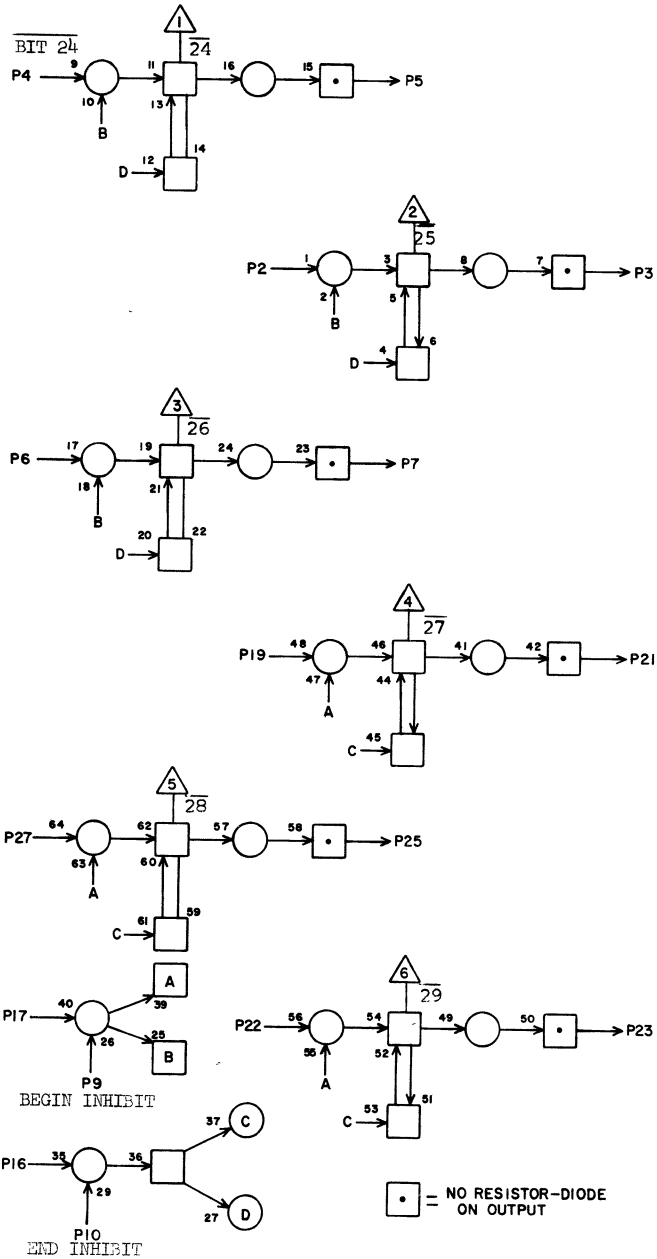
PS

4P28

1			
2	Q18	19	15
3			
4	Q18	21	15
5	H13	27	33
6			
7			
8	Q18	9	15
9			
10	Q18	11	15
11	H14	18	35
12			
13			
14			
15			
16	Q25	10	9
17			
18	Q25	12	9
19	H14	10	35
20			
21			
22	Q25	20	9
23			
24	Q25	22	9
25	H14	27	35
26	P27	28	3
27	P18	22	13
28	P32	26	7

JACK PIN LG
63019200 Rev. C

BANK 07 RESTORE



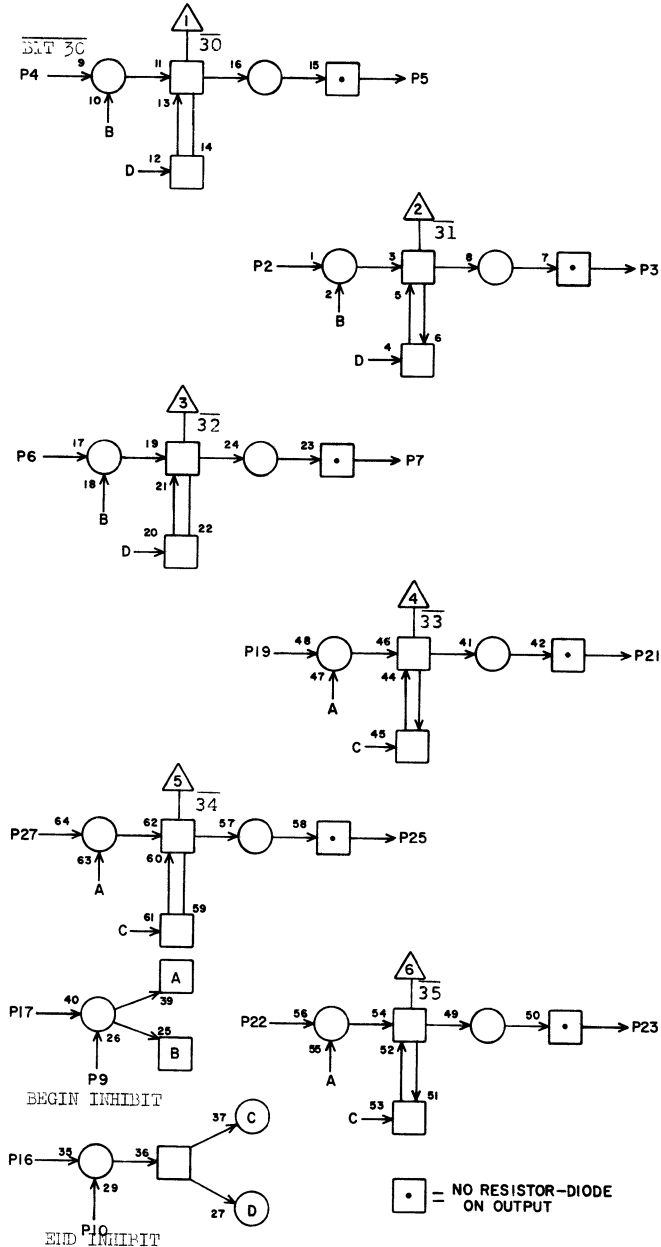
SPECIAL MODULE P2 4P29

1			
2	G32	10	35
3	Q25	5	11
4	G32	6	37
5	Q25	29	13
6	G32	27	35
7	Q18	6	15
8			
9	P20	14	13
10	P20	24	13
11			
12			
13			
14			
15			
16	P21	23	11
17	P21	7	11
18			
19	G32	20	37
20			
21	Q18	26	15
22	G33	10	37
23	Q25	1	9
24			
25	Q25	27	11
26			
27	G33	6	39
28			

JACK PIN LG

63019200 Rev. C

BANK 07 RESTORE

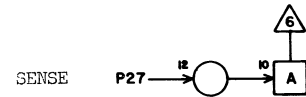
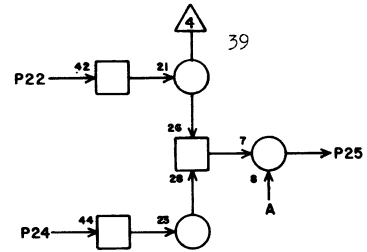
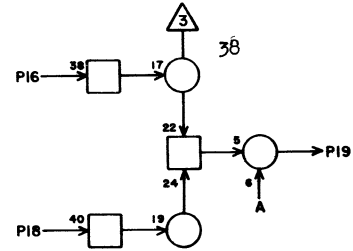
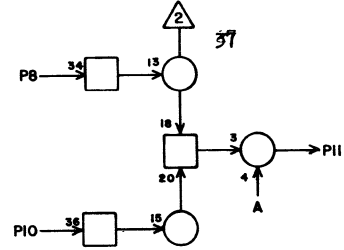
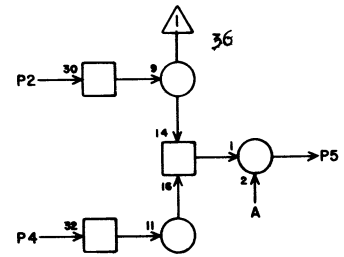


SPECIAL MODULE P2 4P30

1			
2	G33	20	35
3	Q18	4	17
4	G33	27	35
5	Q18	28	17
6	G34	6	37
7	Q25	3	11
8			
9	P20	5	13
10	P20	15	13
11			
12			
13			
14			
15			
16	P21	24	13
17	P21	8	13
18			
19	G34	10	37
20			
21	Q25	25	13
22	G34	20	37
23	Q18	2	15
24			
25	Q18	30	17
26			
27	G34	27	37
28			

JACK PIN LG

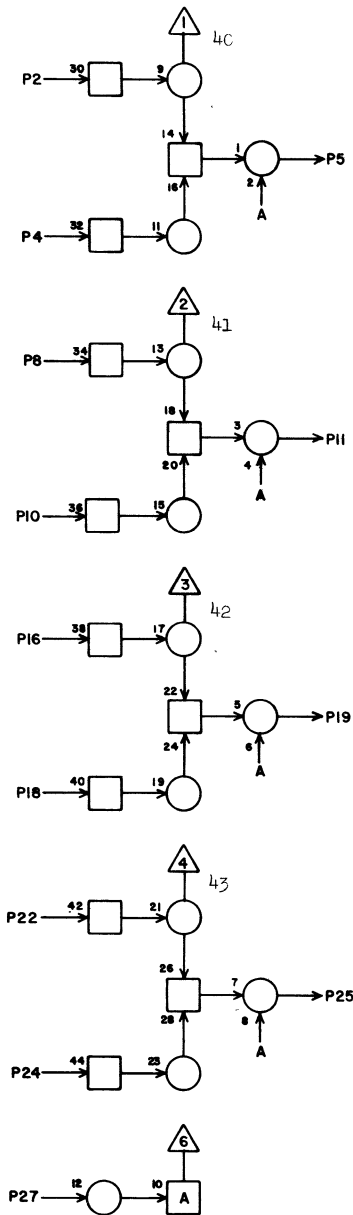
63019200 Rev. C



PS			
1			
2	Q26	1	11
3			
4	Q26	3	11
5	H16	18	35
6			
7			
8	Q26	27	13
9			
10	Q26	29	13
11	H16	10	37
12			
13			
14			
15			
16	Q33	28	11
17			
18	Q33	30	11
19	H16	27	35
20			
21			
22	Q33	2	7
23			
24	Q33	4	7
25	H17	18	35
26	P28	28	7
27	P18	24	17
28	P33	26	3

JACK PIN LG

BANK 07 SENSE



SENSE

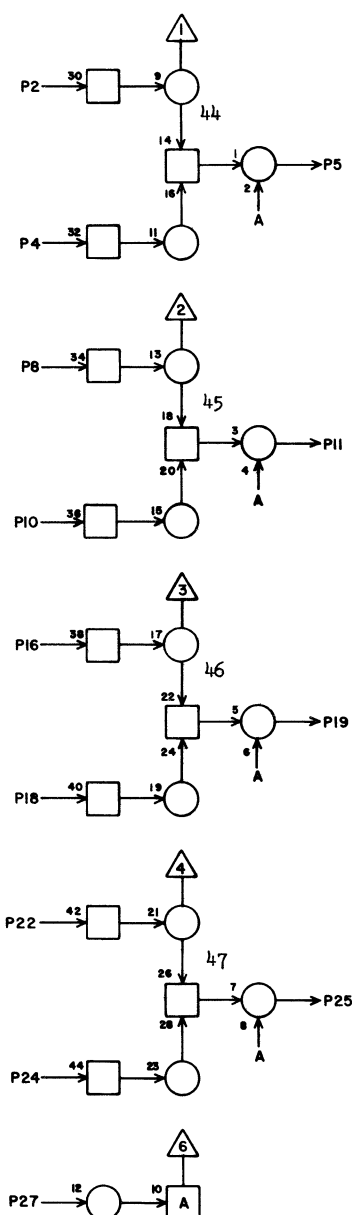
PS 4 P33

1			
2	Q26	5	13
3			
4	Q26	7	13
5	H17	10	35
6			
7			
8	Q26	23	13
9			
10	Q26	25	13
11	H17	27	35
12			
13			
14			
15			
16	Q33	6	9
17			
18	Q33	8	9
19	H18	18	35
20			
21			
22	Q33	24	9
23			
24	Q33	26	9
25	H18	10	37
26	P32	28	3
27	P18	15	17
28	P34	26	3

JACK PIN LG

63019200 Rev. C

BANK 07 SENSE



SENSE

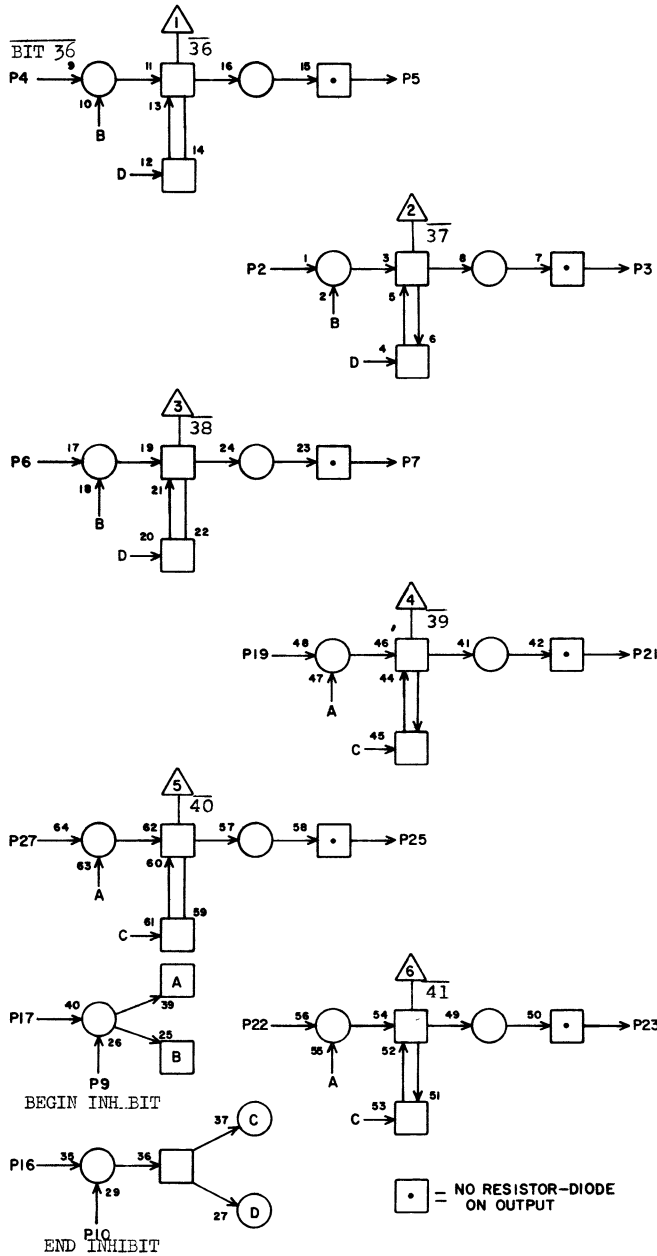
PS 4 P34

1			
2	Q26	19	13
3			
4	Q26	21	13
5	H18	27	35
6			
7			
8	Q26	9	13
9			
10	Q26	11	13
11	H19	18	35
12			
13			
14			
15			
16	Q33	10	9
17			
18	Q33	12	9
19	H19	10	35
20			
21			
22	Q33	20	9
23			
24	Q33	22	9
25	H19	27	35
26	P33	28	3
27	P18	17	17
28	P38	26	7

JACK PIN LG

63019200 Rev. C

BANK 07 RESTORE

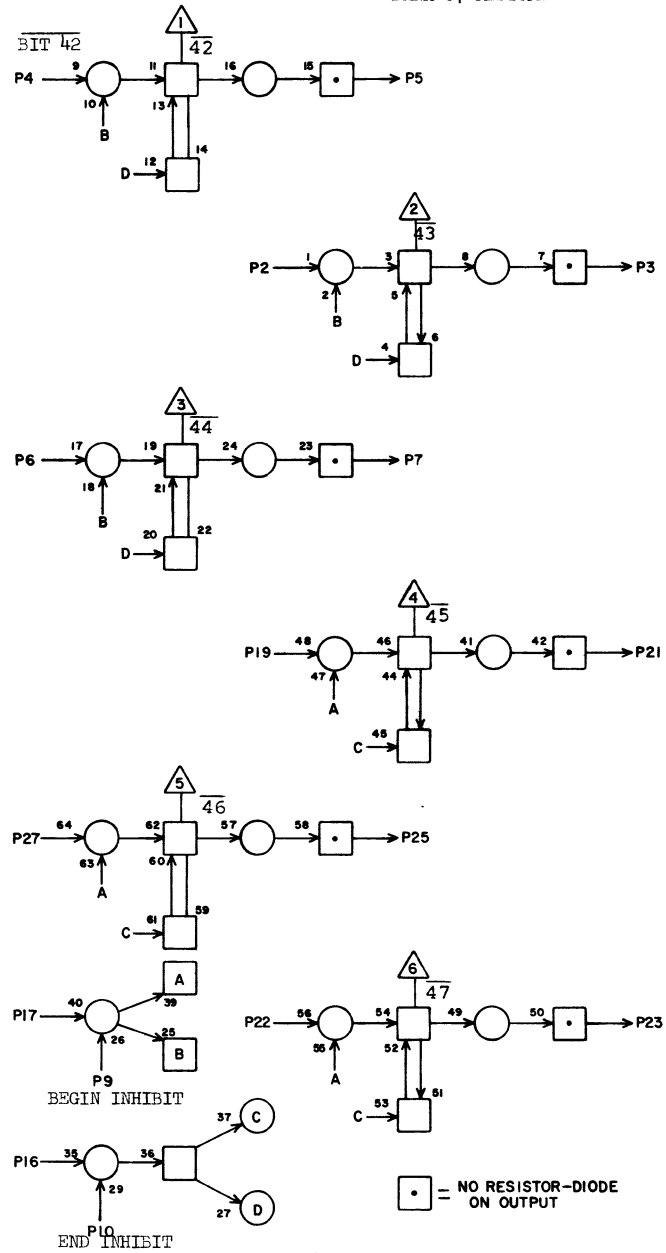


SPECIAL MODULE P2 4P35

1			
2	G36	10	35
3	Q33	5	9
4	G36	6	37
5	Q33	29	11
6	G36	27	35
7	Q26	6	13
8			
9	P20	7	17
10	P20	17	17
11			
12			
13			
14			
15			
16	P21	25	15
17	P21	9	19
18			
19	G36	20	37
20			
21	Q26	26	13
22	G37	10	37
23	Q33	1	7
24			
25	Q33	27	9
26			
27	G37	6	37
28			

JACK PIN LG
63019200 Rev. C.

BANK 07 RESTORE

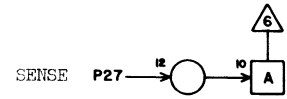
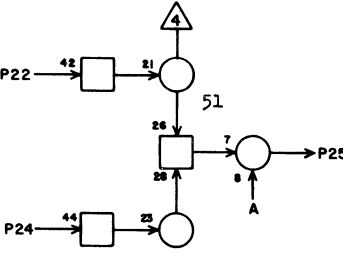
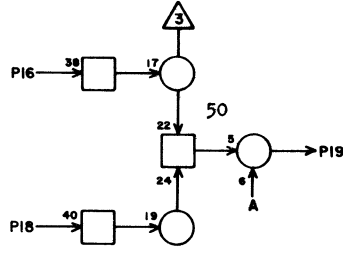
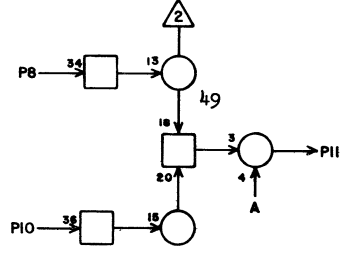
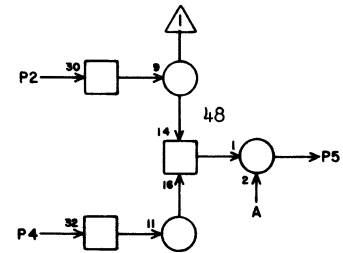


SPECIAL MODULE P2 4P36

1			
2	G37	20	35
3	Q26	4	15
4	G37	27	35
5	Q26	28	15
6	G38	6	37
7	Q33	3	9
8			
9	P20	9	17
10	P20	19	17
11			
12			
13			
14			
15			
16	P21	26	17
17	P21	10	19
18			
19	G38	10	37
20			
21	Q33	25	11
22	G38	20	37
23	Q26	2	13
24			
25	Q26	30	15
26			
27	G38	27	37
28			

JACK PIN LG
63019200 Rev. C.

BANK 07 SENSE

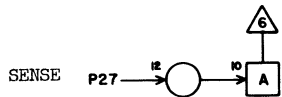
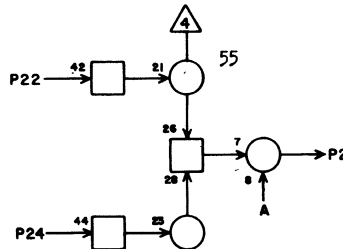
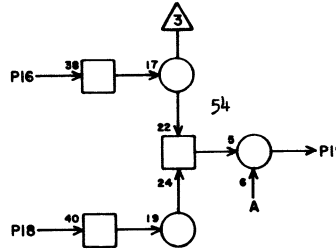
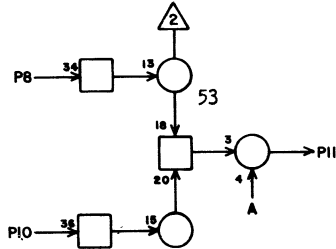
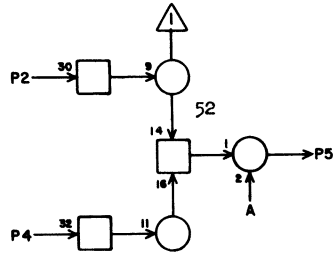


PS 4P38

1			
2	Q35	1	9
3			
4	Q35	3	9
5	H21	18	35
6			
7			
8	Q35	27	13
9			
10	Q35	29	13
11	H21	10	37
12			
13			
14			
15			
16	Q42	28	11
17			
18	Q42	30	11
19	H21	27	35
20			
21			
22	Q42	2	9
23			
24	Q42	4	9
25	H22	18	37
26	P34	28	7
27	P18	19	21
28	P39	26	3

JACK PIN LG

BANK 07 SENSE



PS

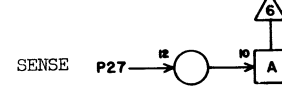
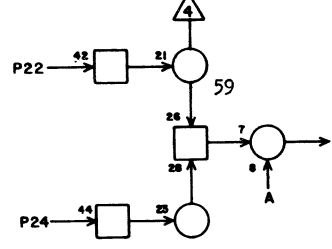
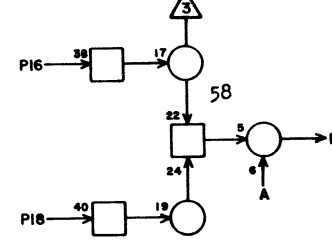
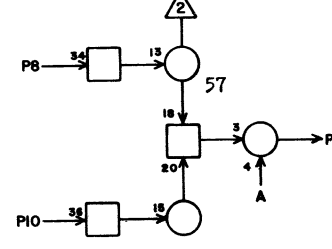
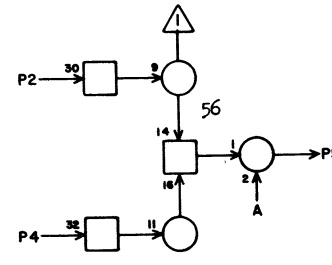
4P39

1			
2	Q35	5	11
3			
4	Q35	7	11
5	H22	10	33
6			
7			
8	Q35	23	13
9			
10	Q35	25	13
11	H22	27	35
12			
13			
14			
15			
16	Q42	6	9
17			
18	Q42	8	9
19	H23	18	35
20			
21			
22	Q42	24	11
23			
24	Q42	26	11
25	H23	10	37
26	P38	28	3
27	P18	21	23
28	P40	26	3

JACK PIN LG

63019200 Rev. C

BANK 07 SENSE



PS

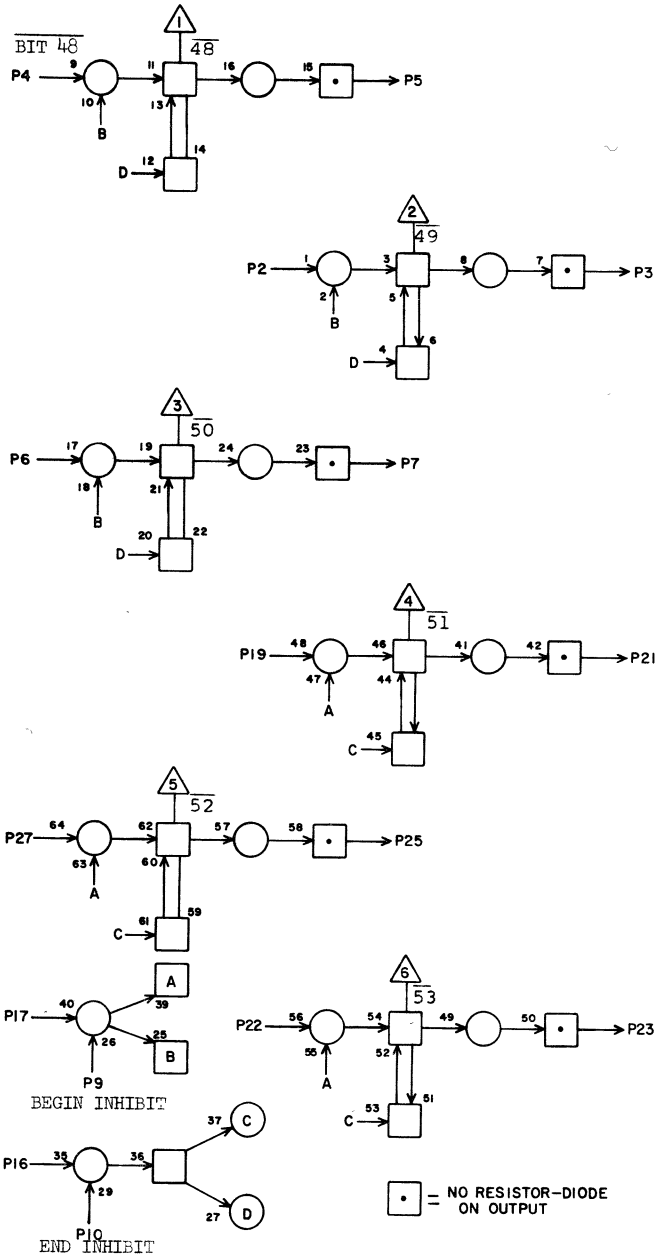
4P40

1			
2	Q35	19	13
3			
4	Q35	21	13
5	H23	27	35
6			
7			
8	Q35	9	11
9			
10	Q35	11	11
11	H24	18	35
12			
13			
14			
15			
16	Q42	10	9
17			
18	Q42	12	9
19	H24	10	37
20			
21			
22	Q42	20	9
23			
24	Q42	22	9
25	H24	27	35
26	P39	28	3
27	P18	23	23
28			

JACK PIN LG

63019200 Rev. C

BANK 07 RESTORE



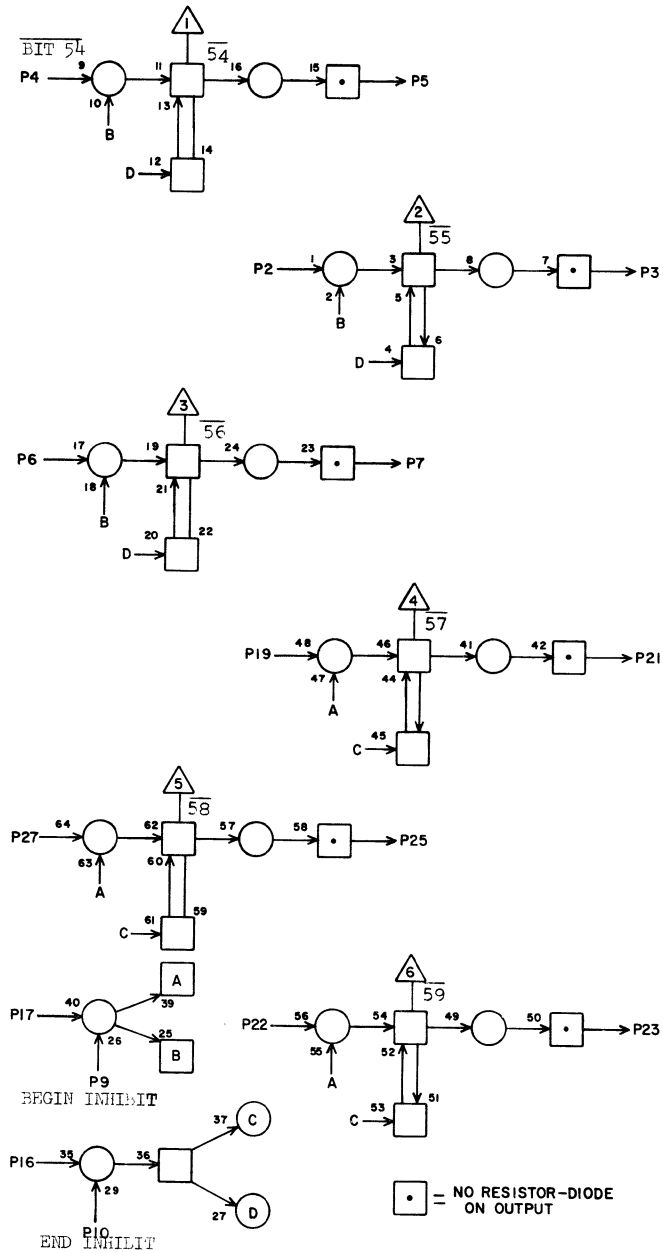
SPECIAL MODULE P2 4P41

1			
2	G40	10	35
3	Q42	5	9
4	G40	6	37
5	Q42	29	13
6	G40	27	35
7	Q35	6	13
8			
9	P20	11	23
10	P20	21	21
11			
12			
13			
14			
15			
16	P21	27	21
17	P21	11	21
18			
19	G40	20	35
20			
21	Q35	26	13
22	G41	10	37
23	Q42	1	7
24			
25	Q42	27	9
26			
27	G41	6	37
28			

JACK PIN LG

63019200 Rev. C

BANK 07 RESTORE



SPECIAL MODULE P2 4P42

1			
2	G41	20	35
3	Q35	4	13
4	G41	27	35
5	Q35	28	15
6	G42	6	37
7	Q42	3	9
8			
9	P20	13	23
10	P20	23	23
11			
12			
13			
14			
15			
16	P21	28	23
17	P21	12	23
18			
19	G42	10	37
20			
21	Q42	25	9
22	G42	20	37
23	Q35	2	13
24			
25	Q35	30	13
26			
27	G42	27	37
28			

JACK PIN LG

63019200 Rev. C

STORAGE
MODULE

4Q 1

1	P 1	2	9
2	P 5	23	9
3	P 1	4	9
4	P 5	3	11
5	P 2	2	9
6	P 4	7	11
7	P 2	4	9
8	P23	19	23
9	P 3	8	9
10	P23	20	23
11	P 3	10	9
12	P25	19	25
13			
14	P25	20	25
15	Q 1	X	2
16	P25	2	25
17			
18	P24	2	25
19	P 3	2	11
20	P22	20	23
21	P 3	4	11
22	P22	19	23
23	P 2	8	9
24	P25	3	25
25	P 2	10	9
26	P 4	21	11
27	P 1	8	11
28	P 5	5	13
29	P 1	10	11
30	P 5	25	11

JACK PIN LG

FUNCTION	PIN
Address	
S ⁰	22
S ¹	20
S ²	8
S ³	10
S ⁴	12
S ⁵	14
S ⁶	18
S ⁷	16
Store	
Z ²	6
Z ³	26
Z ⁴	28
Z ⁵	4
Z ⁶	30
Z ⁷	2
Read	
Z ⁰	1
Z ¹	3
Z ²	27
Z ³	29
Z ⁴	5
Z ⁵	7
Z ⁶	23
Z ⁷	25
Z ⁸	19
Z ⁹	21
Z ¹⁰	9
Z ¹¹	11
Inhibit	
S ¹¹	24
Power	
+5 To Inhibit	13
+5 To Inhibit	17
Ground	15

FUNCTION	PIN
Address	
S ⁴	7
S ⁵	9
S ⁶	13
S ⁷	11
Store	
Z ⁰	29
Z ¹	5
Z ⁴	27
Z ⁵	1
Z ⁸	3
Z ⁹	25
Read	
Z ²	28
Z ²	30
Z ³	2
Z ⁴	4
Z ⁵	6
Z ⁶	8
Z ⁷	24
Z ⁷	26
Z ¹⁰	10
Z ¹⁰	12
Z ¹¹	20
Z ¹¹	22
Inhibit	
S ⁴	15
S ⁵	17
S ¹⁰	19
Control	
Read Enable	23
Write Enable	21
Power	
+8 To Drive	18
+6 To Drive	14
Ground	16

JACK PIN LG

63019200 Rev. F

STORAGE
MODULE

4Q10

1	P 7	2	9
2	P11	23	7
3	P 7	4	9
4	P11	3	9
5	P 8	2	11
6	P10	7	9
7	P 8	4	11
8	P23	21	17
9	P 9	8	9
10	P23	22	17
11	P 9	10	9
12	P25	21	19
13			
14	P25	22	19
15	Q10	X	2
16	P25	4	19
17			
18	P24	4	19
19	P 9	2	11
20	P22	22	15
21	P 9	4	11
22	P22	21	17
23	P 8	8	11
24	P25	5	19
25	P 8	10	11
26	P10	21	9
27	P 7	8	11
28	P11	5	11
29	P 7	10	11
30	P11	25	9

JACK PIN LG

FUNCTION	PIN
Address	
S ⁰	22
S ¹	20
S ²	8
S ³	10
S ⁴	12
S ⁵	14
S ⁶	18
S ⁷	16
Store	
Z ²	6
Z ³	26
Z ⁶	28
Z ⁷	4
Z ¹⁰	30
Z ¹¹	2
Read	
Z ⁰	1
Z ⁰	3
Z ¹	27
Z ¹	29
Z ⁴	5
Z ⁴	7
Z ⁵	23
Z ⁵	25
Z ⁸	19
Z ⁸	21
Z ⁹	9
Z ⁹	11
Inhibit	
S ¹¹	24
Power	
+5 To Inhibit	13
+5 To Inhibit	17
Ground	15

4Q16

1	P10	23	11
2	P 7	22	13
3	P11	7	11
4	P 7	24	13
5	P10	3	11
6	P 8	16	13
7	P22	4	11
8	P 8	18	13
9	P23	4	13
10	P 9	16	11
11	P24	22	13
12	P 9	18	11
13	P24	21	13
14	+6 Bus		
15	P22	5	13
16	Q16	X	2
17	P23	5	13
18			
19	P24	5	13
20	P 9	22	11
21	P14	25	9
22	P 9	24	11
23	P14	3	29
24	P 8	22	13
25	P11	21	11
26	P 8	24	13
27	P10	25	11
28	P 7	16	13
29	P10	5	13
30	P 7	18	13

JACK PIN LG

63019200 Rev. F

4Q18

STORAGE
MODULE

FUNCTION	PIN
Address	
S ⁰	22
S ¹	20
S ²	8
S ³	10
S ⁴	12
S ⁵	14
S ⁶	18
S ⁷	16
Store	
Z ²	6
Z ³	26
Z ⁷	28
Z ¹⁰	4
Z ¹¹	30
Z ¹¹	2
Read	
Z ⁰	1
Z ⁰	3
Z ¹	27
Z ¹	29
Z ⁴	5
Z ⁴	7
Z ⁵	23
Z ⁶	25
Z ⁶	19
Z ⁸	21
Z ⁸	9
Z ⁹	11
Inhibit	
S ¹¹	24
Power	
+5 To Inhibit	13
+5 To Inhibit	17
Ground	15

1	P26	2	13
2	P30	23	15
3	P26	4	13
4	P30	3	17
5	P27	2	13
6	P29	7	15
7	P27	4	13
8	P23	23	11
9	P28	8	15
10	P23	24	11
11	P28	10	15
12	P25	23	13
13			
14	P25	24	13
15	Q18	X	2
16	P25	6	13
17			
18	P24	6	13
19	P28	2	15
20	P22	24	11
21	P28	4	15
22	P22	23	11
23	P27	8	15
24	P25	7	13
25	P27	10	15
26	P29	21	15
27	P26	8	15
28	P30	5	17
29	P26	10	15
30	P30	25	17

JACK PIN LG

4Q25

FUNCTION	PIN
Address	
S ⁴	7
S ⁵	9
S ⁶	13
S ⁷	11
Store	
Z ⁰	29
Z ¹	5
Z ⁴	27
Z ⁵	1
Z ⁸	3
Z ⁹	25
Read	
Z ²	28
Z ²	30
Z ²	2
Z ³	4
Z ³	6
Z ³	8
Z ⁴	24
Z ⁴	26
Z ⁶	10
Z ⁶	12
Z ⁶	20
Z ⁶	22
Inhibit	
S ⁴	15
S ⁵	17
S ¹⁰	19
Control	
Read Enable	23
Write Enable	21
Power	
+8 To Drive	18
+6 To Drive	14
Ground	16

1	P29	23	9
2	P26	22	7
3	P30	7	11
4	P26	24	7
5	P29	3	11
6	P27	16	9
7	P22	6	11
8	P27	18	9
9	P23	6	11
10	P28	16	9
11	P24	24	9
12	P28	18	9
13	P24	23	9
14	*6 Bus		
15	P22	7	11
16	Q25	X	2
17	P23	7	11
18			
19	P24	7	11
20	P28	22	9
21	P14	26	15
22	P28	24	9
23	P14	4	29
24	P27	22	9
25	P30	21	13
26	P27	24	9
27	P29	25	11
28	P26	16	11
29	P29	5	13
30	P26	18	11

JACK PIN LG

63019200 Rev. F

4Q26

STORAGE
MODULE

FUNCTION	PIN
Address	
S ⁰	22
S ¹	20
S ²	8
S ³	10
S ⁴	12
S ⁵	14
S ⁶	18
S ⁷	16
Store	
Z ²	6
Z ³	26
Z ⁷	28
Z ⁷	4
Z ¹⁰	30
Z ¹¹	2
Read	
Z ⁰	1
Z ⁰	3
Z ¹	27
Z ¹	29
Z ⁴	5
Z ⁴	7
Z ⁵	23
Z ⁶	25
Z ⁶	19
Z ⁸	21
Z ⁸	9
Z ⁹	11
Inhibit	
S ¹¹	24
Power	
+5 To Inhibit	13
+5 To Inhibit	17
Ground	15

1	P32	2	11
2	P36	23	13
3	P32	4	11
4	P36	3	15
5	P33	2	13
6	P35	7	13
7	P33	4	13
8	P23	25	9
9	P34	8	13
10	P23	26	9
11	P34	10	13
12	P25	25	9
13			
14	P25	26	9
15	Q26	X	2
16	P25	8	11
17			
18	P24	8	11
19	P34	2	13
20	P22	26	11
21	P34	4	13
22	P22	25	11
23	P33	8	13
24	P25	9	11
25	P33	10	13
26	P35	21	13
27	P32	8	13
28	P36	5	15
29	P32	10	13
30	P36	25	15

JACK PIN LG

4Q33

FUNCTION	PIN
Address	
S ⁴	7
S ⁵	9
S ⁶	13
S ⁷	11
Store	
Z ⁰	29
Z ¹	5
Z ⁴	27
Z ⁵	1
Z ⁵	3
Z ⁹	25
Read	
Z ²	28
Z ²	30
Z ²	2
Z ³	4
Z ³	6
Z ³	8
Z ⁴	24
Z ⁴	26
Z ⁶	10
Z ⁶	12
Z ⁶	20
Z ⁶	22
Inhibit	
S ⁴	15
S ⁵	17
S ¹⁰	19
Control	
Read Enable	23
Write Enable	21
Power	
+8 To Drive	18
+6 To Drive	14
Ground	16

1	P35	23	7
2	P32	22	7
3	P36	7	9
4	P32	24	7
5	P35	3	9
6	P33	16	9
7	P22	8	15
8	P33	18	9
9	P23	8	13
10	P34	16	9
11	P24	26	13
12	P34	18	9
13	P24	25	13
14	*6 Bus		
15	P22	9	15
16	Q33	X	2
17	P23	9	15
18			
19	P24	9	15
20	P34	22	9
21	P14	27	21
22	P34	24	9
23	P14	6	29
24	P33	22	9
25	P36	21	11
26	P33	24	9
27	P35	25	9
28	P32	16	11
29	P35	5	11
30	P32	18	11

JACK PIN LG

63019200 Rev. F

4Q35

STORAGE
MODULE

FUNCTION	PIN
Address	
S ⁰	22
S ¹	20
S ²	8
S ³	10
S ⁸	12
S ⁹	14
S ¹⁰	18
S ¹¹	16
Store	
Z ²	6
Z ³	26
Z ⁶	28
Z ⁷	4
Z ¹⁰	30
Z ¹¹	2
Read	
Z ⁰	1
Z ⁰	3
Z ¹	27
Z ¹	29
Z ⁴	5
Z ⁴	7
Z ⁵	23
Z ⁸	25
Z ⁸	19
Z ⁹	21
Z ⁹	9
Z ⁹	11
Inhibit	
S ¹¹	24
Power	
+5 To Inhibit	13
+5 To Inhibit	17
Ground	15

1	P38	2	9
2	P42	23	13
3	P38	4	9
4	P42	3	13
5	P39	2	11
6	P41	7	13
7	P39	4	11
8	P23	27	15
9	P40	8	11
10	P23	28	15
11	P40	10	11
12	P25	27	13
13			
14	P25	28	13
15	Q35	X	2
16	P25	10	15
17			
18	P24	10	15
19	P40	2	13
20	P22	28	17
21	P40	4	13
22	P22	27	15
23	P39	8	13
24	P25	11	15
25	P39	10	13
26	P41	21	13
27	P38	8	13
28	P42	5	15
29	P38	10	13
30	P42	25	13

JACK PIN LG

4Q42

FUNCTION	PIN
Address	
S ⁴	7
S ⁵	9
S ⁶	13
S ⁷	11
Store	
Z ⁰	29
Z ¹	5
Z ⁴	27
Z ⁵	1
Z ⁸	3
Z ⁹	25
Read	
Z ²	28
Z ²	30
Z ³	2
Z ³	4
Z ⁶	6
Z ⁶	8
Z ⁷	24
Z ¹⁰	26
Z ¹⁰	10
Z ¹¹	12
Z ¹¹	20
Z ¹¹	22
Inhibit	
S ⁴	15
S ⁵	17
S ¹⁰	19
Control	
Read Enable	23
Write Enable	21
Power	
+8 To Drive	18
+6 To Drive	14
Ground	16

1	P41	23	7
2	P38	22	9
3	P42	7	9
4	P38	24	9
5	P41	3	9
6	P39	16	9
7	P22	10	23
8	P39	18	9
9	P23	10	21
10	P40	16	9
11	P24	28	19
12	P40	18	9
13	P24	27	19
14	+6 Bus		
15	P22	11	21
16	Q42	X	2
17	P23	11	21
18			
19	P24	11	21
20	P40	22	9
21	P14	28	29
22	P40	24	9
23	P14	7	29
24	P39	22	11
25	P42	21	9
26	P39	24	11
27	P41	25	9
28	P38	16	11
29	P41	5	13
30	P38	18	11

JACK PIN LG

63019200 Rev. C

COMMENT SHEET

MANUAL TITLE 6601-H/J, 6613-A/B/C CHASSIS 4 TABS

Customer Engineering Manual

PUBLICATION NO. 63019200 REVISION _____

FROM: NAME: _____

BUSINESS ADDRESS: _____

COMMENTS:

This form is not intended to be used as an order blank. Your evaluation of this manual will be welcomed by Control Data Corporation. Any errors, suggested additions or deletions, or general comments may be made below. Please include page number references and fill in publication revision level as shown by the last entry on the Record of Revision page at the front of the manual. Customer engineers are urged to use the TAR.

CUT ALONG LINE

PRINTED IN U.S.A.

AA 3419

NO POSTAGE STAMP NECESSARY IF MAILED IN U. S. A.

FOLD ON DOTTED LINES AND STAPLE

STAPLE

STAPLE

FOLD

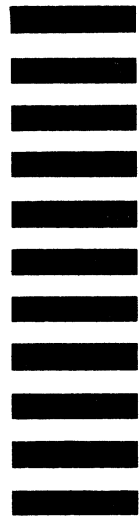
FOLD

FIRST CLASS
PERMIT NO. 8241
MINNEAPOLIS, MINN.

BUSINESS REPLY MAIL
NO POSTAGE STAMP NECESSARY IF MAILED IN U.S.A.

POSTAGE WILL BE PAID BY
CONTROL DATA CORPORATION
8100 34TH AVENUE SOUTH
MINNEAPOLIS, MINNESOTA 55440

ATTN: TECHNICAL PUBLICATIONS DEPT.
PLANT TWO



CUT ALONG LINE

FOLD

FOLD