

# **CONTROL DATA<sup>®</sup> 6600 COMPUTER SYSTEM**

6601A-J or 6604A-C with Standard  
Option 10102, 6613A/B/C, 6614A/B/C

Chassis 7

**CARD PLACEMENT  
WIRE LISTS  
CHASSIS TABS**

## RECORD of REVISIONS

REVISION	NOTES
A (4-12-65)	This printing obsoletes all previous editions. This printing includes Chippewa change notices 53, 54, 87 and 92.
B	Change Order 9850.
C	Change Order 11308.
D (12-28-65)	Publication Change Order 12208 incorporates the modification of wire lengths to conform with production specifications, the correction of typographical wiring errors, and the addition of signal annotation for purposes of clarity. This edition obsoletes all previous editions.
E (4-4-66)	Publication Change Order 13111 which did not affect the Product Designation. The following pages are revised: Cover, title page, A35, B17, C14, C29, D33, E17, E37, J07, J08, J35, J39, K25, L06, L11, L18, L39, N14, O13, P26, Q20, Q24 and Q30.
F (11-28-66)	Field Change Order 13740 which advanced the Product Designation to 6601-H46, 6604-A46, 6613-A06 and 6614-A06. The following pages are revised: Card Placement, E30, E31, F20, H26, I15, I22, J36, K24, L21, L33, L34, M26, M28, M34 and R23.
G (11-28-66)	Change Order 14087 which did not affect the Product Designation. Pages I21 and I22 revised.
H (11-28-66)	Field Change Order 14203 which advanced the Product Designation to 6601-A39, 6601-B40, 6601-C40, 6601-D40, 6601-E40, 6601-F40, 6601-H59, 6604-A57, 6604-B41, 6613-A18 and 6614-A17. Pages G36, I13, I14, I16, I19 and I22 revised.
J (11-28-66)	Publications Change Order 15212, which did not affect the Product Designation. Cover and title page revised.
K (10-5-67)	Field Change Order 16823, which advanced the Product Designation to 6601-H82, 6601-J23, 6604-A80, 6604-C24, 6613-A41, 6613-B23, 6613-C10, 6614-A40, 6614-B24 and 6614-C11. Pages H36, K24, L21, L33 and L34 revised.
L (10-5-67)	Change Order 17250, which did not affect the Product Designation. Pages D32, D33, E20, E21, E22, E23, E32, E33, F21, G16, I15, I24, I25, J20, J21, J22, J23, L27 and Q34 revised.
M (10-5-67)	Publications Change Order 17608, which did not affect the Product Designation. Cover, Title Page, D15, E30, F17, G27, H30, J36, N16, O16, O18, P06, R1 and Comment Sheet revised.
N (6-3-68)	Field Change Order 17251, which advanced the Product Designation to 6601-H85, 6601-J26, 6613-A44, 6613-B26, 6613-C13, 6614-A43, 6614-B27, and 6614-C14. The following pages revised: E31, I15, and I22.

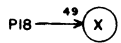
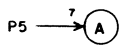
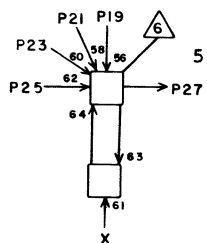
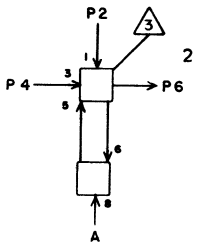
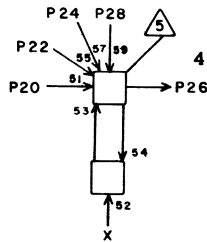
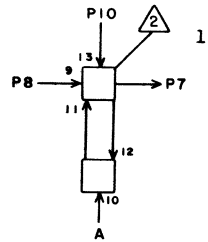
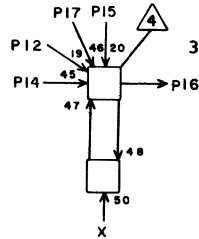
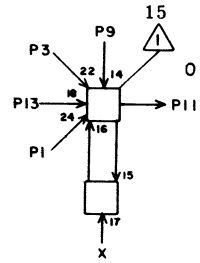
FORM CA230 REV. 1-67

Pub No. 63017300  
 © 1965, 1966, 1967, 1968  
 by Control Data Corporation  
 Printed in United States of America

Address comments concerning this manual to:  
 Control Data Corporation  
 Technical Publications Department  
 4201 North Lexington Avenue  
 St. Paul, Minnesota 55112  
 or use Comment Sheet in the back of this manual.



OPERATING REGISTER A4

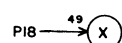
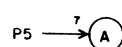
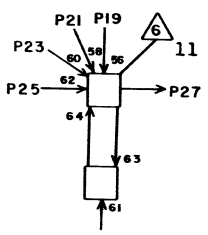
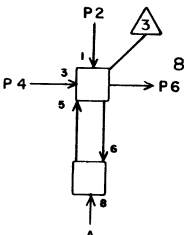
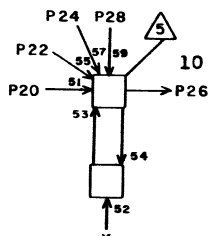
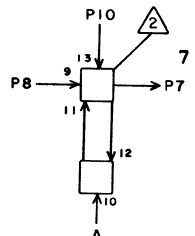
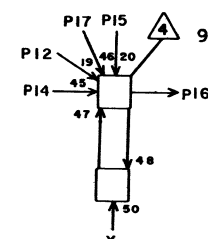
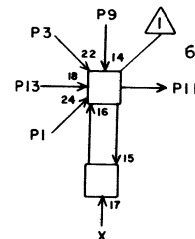


RD 7A1

1	C28	8	29
2	GRD	X	2
3	GRD	X	2
4	C28	11	27
5	B12	2	15
6	B14	4	15
7	B13	20	15
8	C28	18	29
9	GRD	X	2
10	GRD	X	2
11	B13	4	15
12	GRD	X	2
13	GRD	X	2
14	C28	23	29
15	GRD	X	2
16	B14	20	15
17	GRD	X	2
18	B12	4	13
19	GRD	X	2
20	C30	8	31
21	GRD	X	2
22	GRD	X	2
23	GRD	X	2
24	GRD	X	2
25	C30	18	31
26	B15	4	15
27	B15	20	15
28	GRD	X	2

JACK PIN LG

Operating Register A4

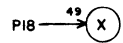
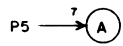
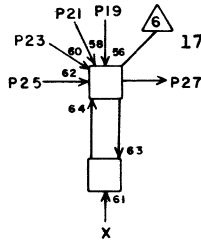
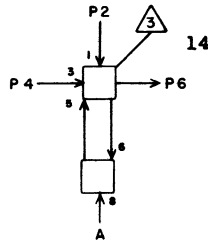
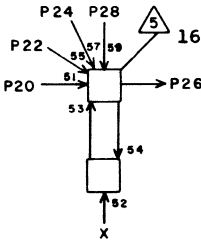
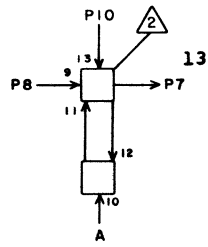
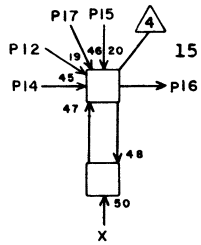
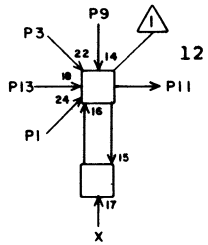


RD 7A 2

1	C30	11	29
2	GND	X	2
3	GND	X	2
4	D27	8	29
5	B12	6	13
6	B17	4	17
7	B16	20	17
8	C30	23	29
9	GND	X	2
10	GND	X	2
11	B16	4	17
12	GND	X	2
13	GND	X	2
14	D27	18	29
15	GND	X	2
16	B17	20	17
17	GND	X	2
18	B12	9	13
19	GND	X	2
20	D27	11	29
21	GND	X	2
22	GND	X	2
23	GND	X	2
24	GND	X	2
25	D27	23	29
26	B18	4	17
27	B18	20	17
28	GND	X	2

JACK PIN LG

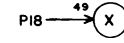
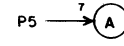
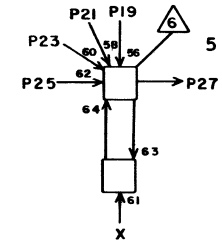
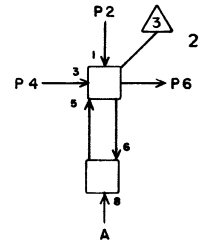
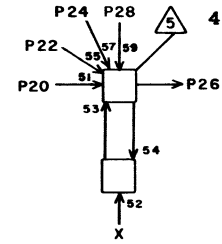
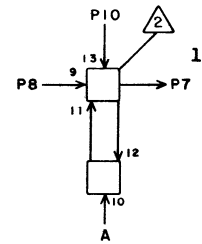
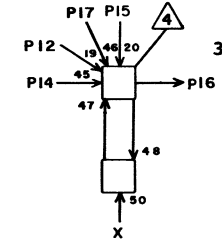
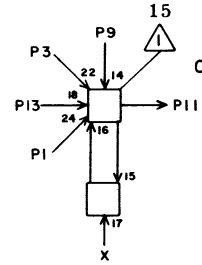
Operating Register A4



RD		7A3	
1	D29	8	29
2	GND	X	2
3	GND	X	2
4	D29	11	29
5	B12	11	13
6	B22	4	21
7	B19	20	19
8	D29	18	29
9	GND	X	2
10	GND	X	2
11	B19	4	17
12	GND	X	2
13	GND	X	2
14	D29	23	29
15	GND	X	2
16	B22	20	21
17	GND	X	2
18	B12	13	13
19	GND	X	2
20	D31	8	31
21	GND	X	2
22	GND	X	2
23	GND	X	2
24	GND	X	2
25	D31	18	31
26	B23	4	23
27	B23	20	23
28	GND	X	2
	JACK	PIN	LG

63017300 Rev. D

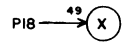
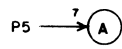
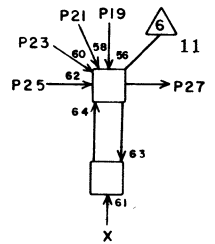
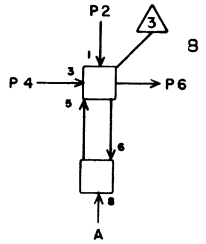
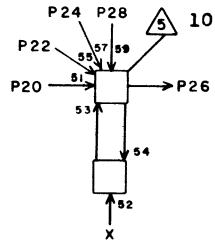
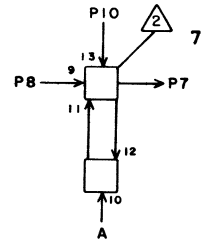
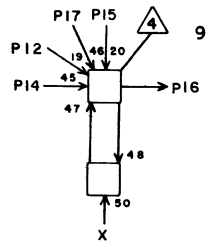
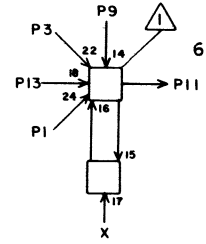
Operating Register A5



RD		7A 4	
1	C28	10	27
2	GND	X	2
3	GND	X	2
4	C28	9	27
5	B12	16	11
6	B14	7	15
7	B13	25	13
8	C28	20	27
9	GND	X	2
10	GND	X	2
11	B13	7	13
12	GND	X	2
13	GND	X	2
14	C28	21	27
15	GND	X	2
16	B14	25	15
17	GND	X	2
18	B12	18	11
19	GND	X	2
20	C30	10	27
21	GND	X	2
22	GND	X	2
23	GND	X	2
24	GND	X	2
25	C30	20	29
26	B15	7	15
27	B15	25	15
28	GND	X	2
	JACK	PIN	LG

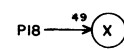
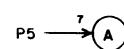
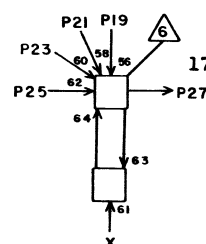
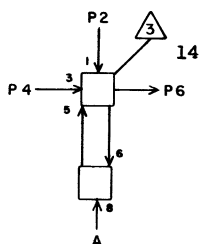
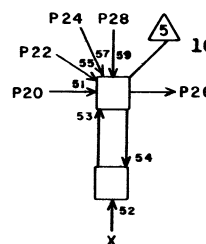
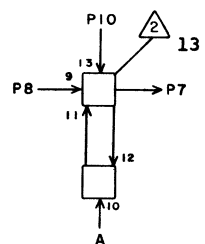
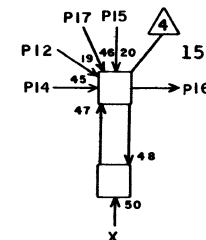
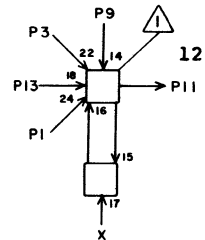
63017300 Rev. D

Operating Register A5



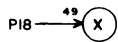
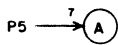
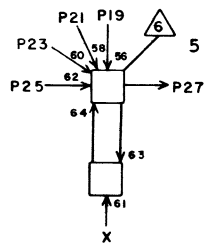
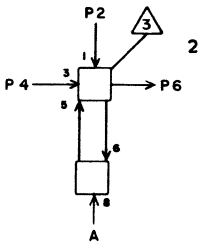
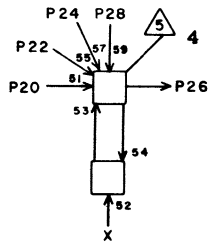
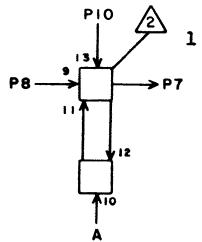
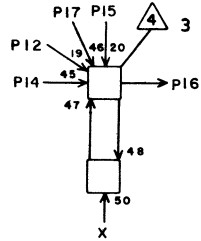
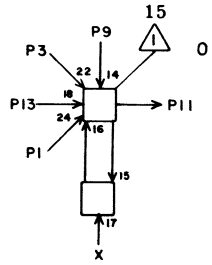
RD			
7A5			
1	C30	9	27
2	GND	X	2
3	GND	X	2
4	D27	10	27
5	B12	20	11
6	B17	7	15
7	B16	25	15
8	C30	21	27
9	GND	X	2
10	GND	X	2
11	B16	7	15
12	GND	X	2
13	GND	X	2
14	D27	20	27
15	GND	X	2
16	B17	25	17
17	GND	X	2
18	B12	22	11
19	GND	X	2
20	D27	9	27
21	GND	X	2
22	GND	X	2
23	GND	X	2
24	GND	X	2
25	D27	21	27
26	B18	7	17
27	B18	25	17
28	GND	X	2
	JACK	PIN	LG

Operating Register A5



RD			
7A6			
1	D29	10	27
2	GND	X	2
3	GND	X	2
4	D29	9	27
5	B12	17	11
6	B22	7	19
7	B19	25	15
8	D29	20	27
9	GND	X	2
10	GND	X	2
11	B19	7	15
12	GND	X	2
13	GND	X	2
14	D29	21	27
15	GND	X	2
16	B22	25	19
17	GND	X	2
18	B12	19	11
19	GND	X	2
20	D31	10	27
21	GND	X	2
22	GND	X	2
23	GND	X	2
24	GND	X	2
25	D31	20	27
26	B23	7	19
27	B23	25	19
28	GND	X	2
	JACK	PIN	LG

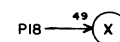
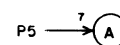
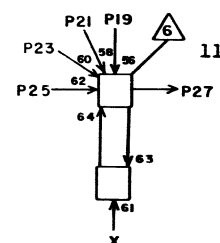
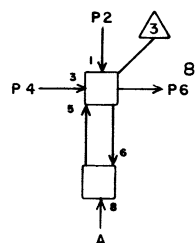
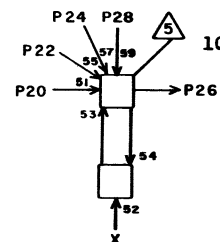
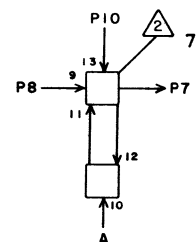
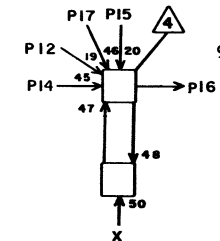
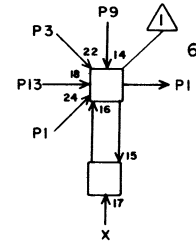
Operating Register A6



RD		7A 7	
1	C28	14	23
2	GND	X	2
3	GND	X	2
4	C28	5	23
5	B11	2	9
6	B27	4	21
7	B24	20	19
8	C28	22	23
9	GND	X	2
10	GND	X	2
11	B24	4	19
12	GND	X	2
13	GND	X	2
14	C28	19	23
15	GND	X	2
16	B27	20	21
17	GND	X	2
18	B11	4	9
19	GND	X	2
20	C30	14	25
21	GND	X	2
22	GND	X	2
23	GND	X	2
24	GND	X	2
25	C30	22	25
26	B28	4	23
27	B28	20	23
28	GND	X	2

JACK PIN LG

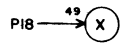
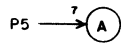
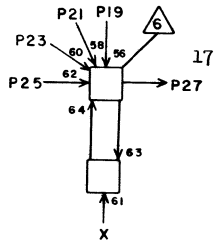
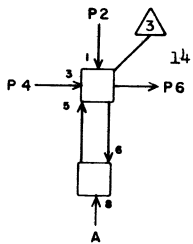
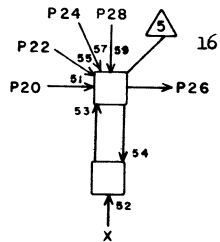
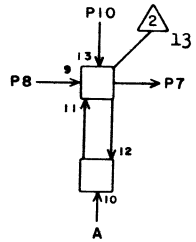
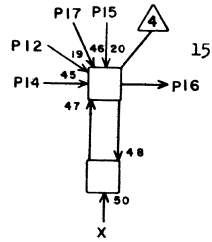
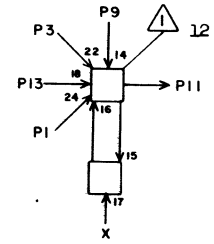
Operating Register A6



RD		7A 8	
1	C30	5	25
2	GND	X	2
3	GND	X	2
4	D27	14	25
5	B11	6	9
6	B30	4	23
7	B29	20	23
8	C30	19	25
9	GND	X	2
10	GND	X	2
11	B29	4	23
12	GND	X	2
13	GND	X	2
14	D27	22	25
15	GND		2
16	B30	20	23
17	GND		2
18	B11	9	9
19	GND		2
20	D27	5	25
21	GND		2
22	GND		2
23	GND		2
24	GND		2
25	D27	19	25
26	B31	4	23
27	B31	20	23
28	GND	X	2

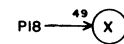
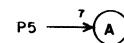
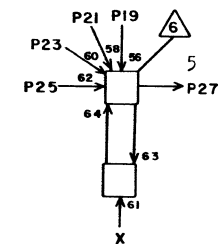
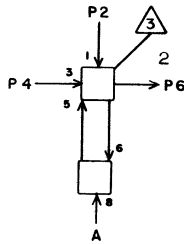
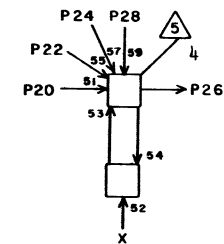
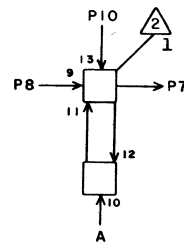
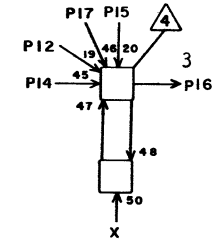
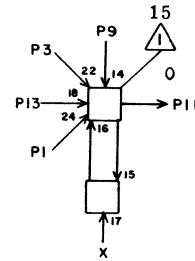
JACK PIN LG

Operating Register A6



RD			
7A 9			
JACK	PIN	LG	
1	D29	14	25
2	GND	X	2
3	GND	X	2
4	D29	5	25
5	B11	11	7
6	B33	4	25
7	B32	20	23
8	D29	22	25
9	GND	X	2
10	GND	X	2
11	B32	4	23
12	GND	X	2
13	GND	X	2
14	D29	19	25
15	GND	X	2
16	B33	20	25
17	GND	X	2
18	B11	13	7
19	GND	X	2
20	D31	14	27
21	GND	X	2
22	GND	X	2
23	GND	X	2
24	GND	X	2
25	D31	22	27
26	B34	4	25
27	B34	20	25
28	GND	X	2

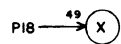
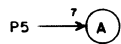
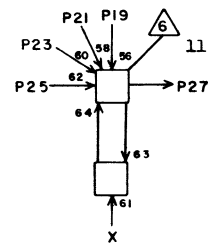
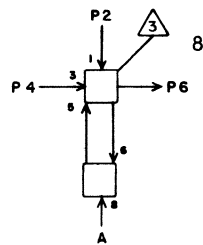
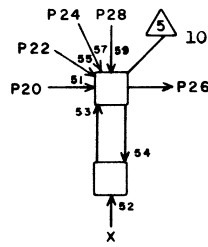
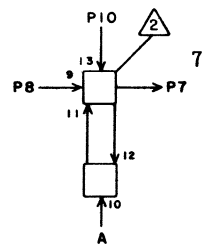
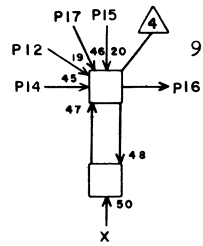
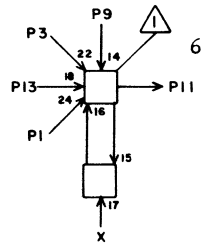
Operating Register A7



RD			
7A10			
JACK	PIN	LG	
1	C28	12	23
2	GND	X	2
3	GND	X	2
4	C28	7	23
5	B11	16	9
6	B27	7	19
7	B24	25	17
8	C28	24	23
9	GND	X	2
10	GND	X	2
11	B24	7	17
12	GND	X	2
13	GND	X	2
14	C28	17	23
15	GND	X	2
16	B27	25	19
17	GND	X	2
18	B11	18	9
19	GND	X	2
20	C30	12	23
21	GND	X	2
22	GND	X	2
23	GND	X	2
24	GND	X	2
25	C30	24	23
26	B28	7	21
27	B28	25	21
28	GND	X	2



Operating Register A7



R D

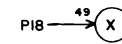
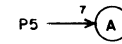
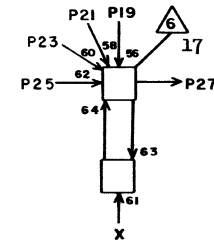
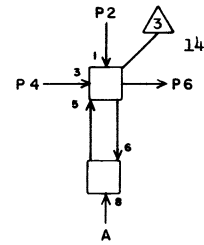
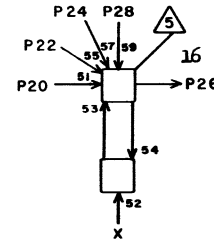
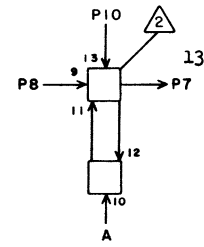
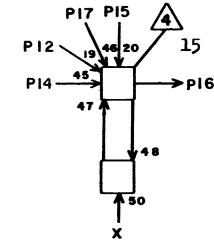
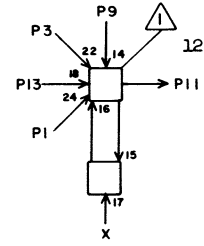
7A11

1	C30	7	23
2	GND	X	2
3	GND	X	2
4	D27	12	23
5	B11	20	9
6	B30	7	21
7	B29	25	21
8	C30	17	23
9	GND	X	2
10	GND	X	2
11	B29	7	21
12	GND	X	2
13	GND	X	2
14	D27	24	23
15	GND	X	2
16	B30	25	23
17	GND	X	2
18	B11	22	9
19	GND	X	2
20	D27	7	21
21	GND	X	2
22	GND	X	2
23	GND	X	2
24	GND	X	2
25	D27	17	23
26	B31	7	23
27	B31	25	23
28	GND	X	2

JACK PIN LG

63017300 Rev. D

Operating Register A7



R D

7A12

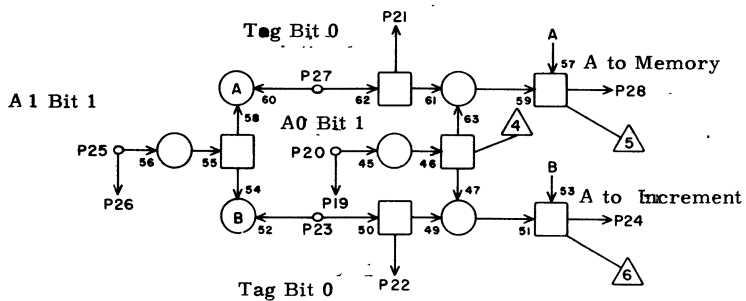
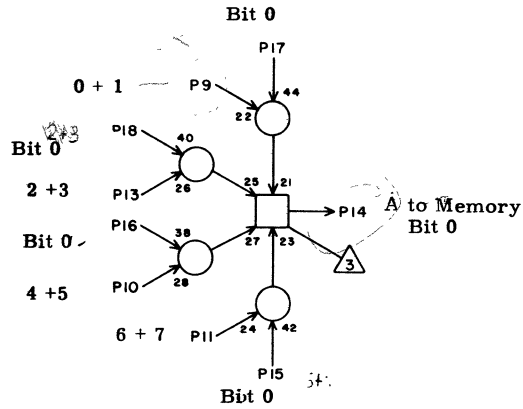
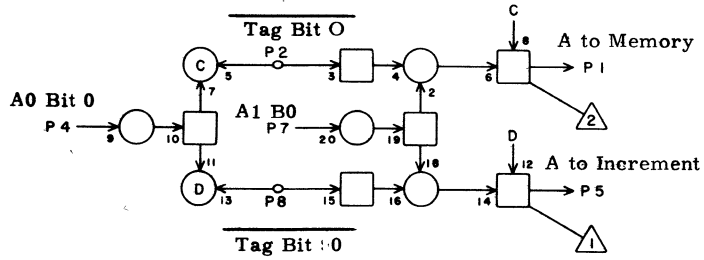
1	D29	12	23
2	GND	X	2
3	GND	X	2
4	D29	7	23
5	B11	17	9
6	B33	7	23
7	B32	25	23
8	D29	24	23
9	GND	X	2
10	GND	X	2
11	B32	7	23
12	GND	X	2
13	GND	X	2
14	D29	17	23
15	GND	X	2
16	B33	25	23
17	GND	X	2
18	B11	19	9
19	GND	X	2
20	D31	12	23
21	GND	X	2
22	GND	X	2
23	GND	X	2
24	GND	X	2
25	D31	24	23
26	B34	7	25
27	B34	25	25
28	GND	X	2

JACK PIN LG

63017300 Rev. D

Exit Control  
A Registers

RH **7A13**

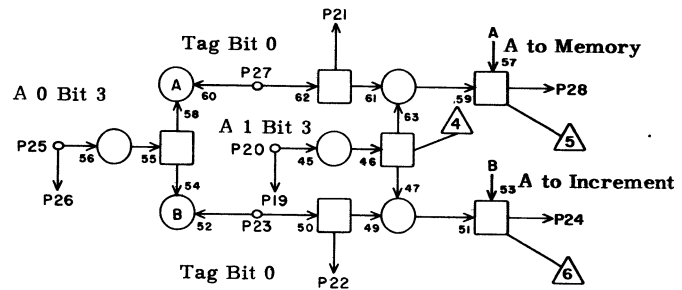
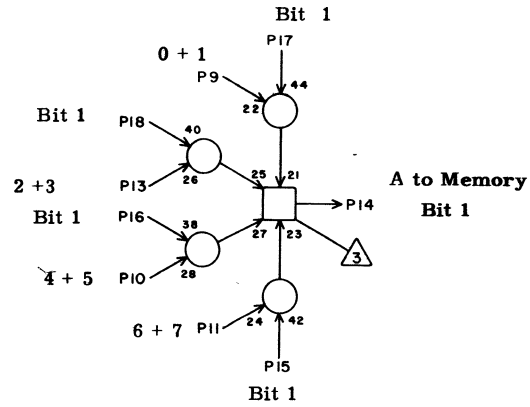
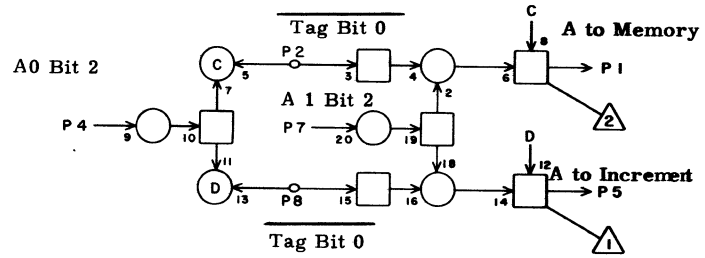


1	A13	17	5
2	A13	21	5
3			
4	G15	7	27
5	B13	17	9
6			
7	F12	7	23
8	A13	22	5
9	A30	2	17
10	B20	2	11
11	B20	16	11
12			
13	A30	16	19
14	F32	8	27
15	B24	1	15
16	B13	1	5
17	A13	1	5
18	A23	1	13
19			
20	G15	6	27
21	A13	2	5
22	A13	8	5
23	A18	25	9
24	B14	17	5
25	F12	6	23
26			
27	A18	15	9
28	A14	17	5

JACK PIN LG

Exit Control  
A Registers

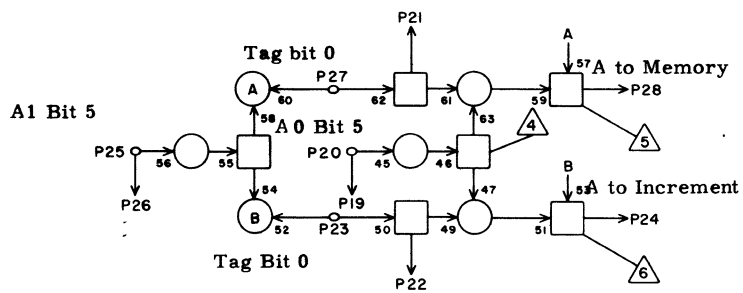
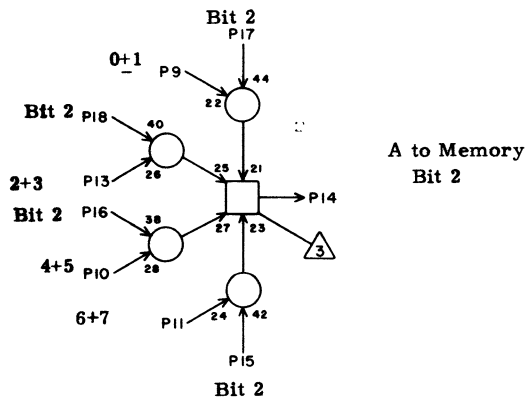
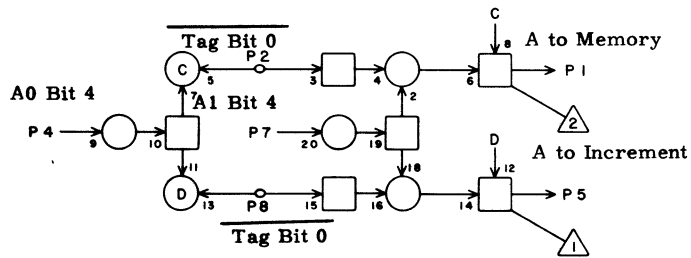
RH **7A14**



1	A15	17	5
2	A14	21	5
3			
4	G16	7	25
5	B15	17	9
6			
7	F13	7	23
8	A14	22	5
9	A30	4	15
10	B20	4	9
11	B20	18	11
12			
13	A30	18	17
14	F32	22	27
15	B24	28	13
16	B13	28	9
17	A13	28	5
18	A23	28	11
19			
20	G16	6	25
21	A14	2	5
22	A14	8	5
23	A18	23	5
24	B16	17	7
25	F13	6	23
26			
27	A18	7	7
28	A16	17	5

JACK PIN LG

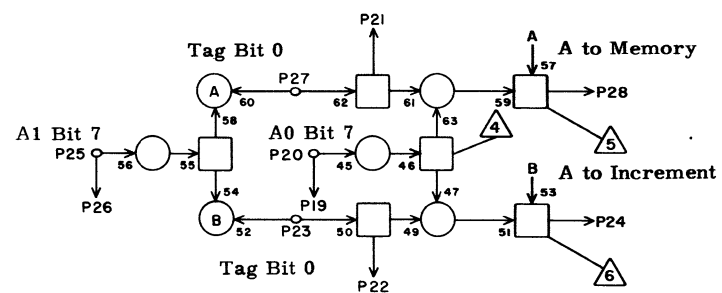
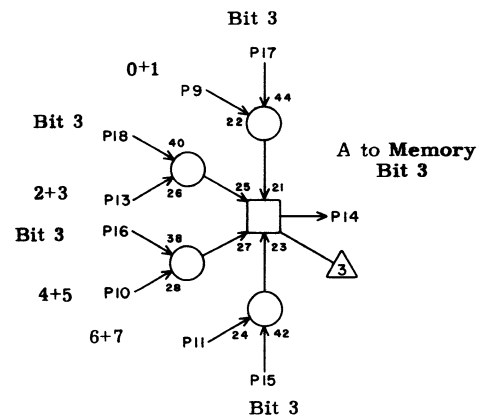
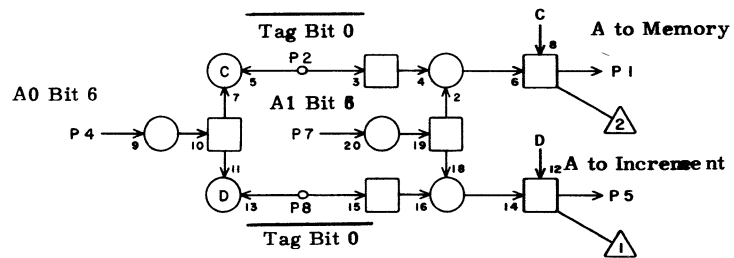
Exit Control  
A Registers



RH		7A15	
1	A17	17	5
2	A15	21	5
3			
4	G17	7	25
5	B17	17	9
6			
7	F14	7	23
8	A15	22	5
9	A30	6	17
10	B20	6	11
11	B20	20	11
12			
13	A30	20	17
14	F32	24	27
15	B27	1	15
16	B14	1	7
17	A14	1	5
18	A24	1	11
19			
20	G17	6	25
21	A15	2	5
22	A15	8	5
23	A18	26	5
24	B18	17	7
25	F14	6	23
26			
27	A18	6	5
28	A19	17	9
JACK		PIN	LG

63017300 Rev. D

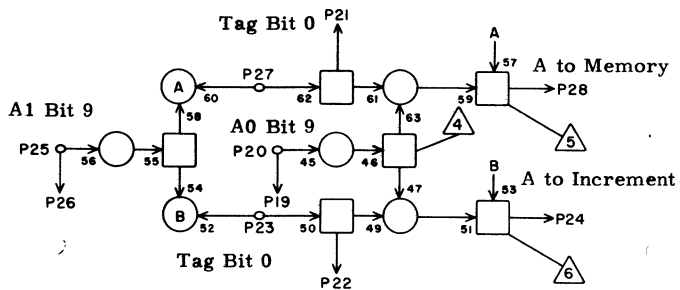
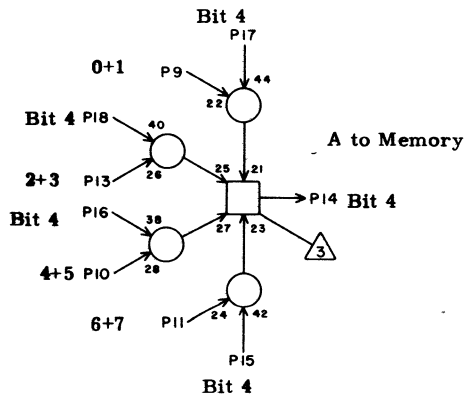
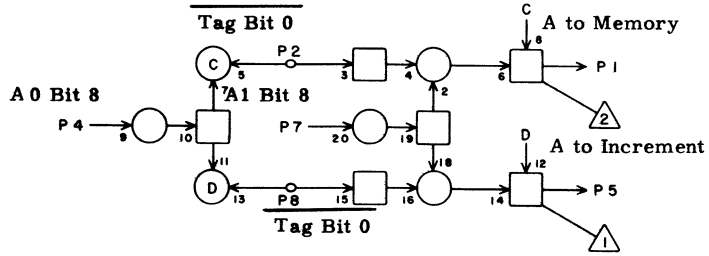
Exit Control  
A Registers



RH		7A16	
1	A20	17	9
2	A16	21	5
3			
4	G20	7	25
5	B19	17	11
6			
7	F15	7	23
8	A16	22	5
9	A30	9	17
10	B20	9	11
11	B20	22	11
12			
13	A30	22	15
14	F33	8	27
15	B27	28	13
16	B14	28	9
17	A14	28	5
18	A24	28	11
19			
20	G20	6	25
21	A16	2	5
22	A16	8	5
23	A18	22	5
24	B22	17	11
25	F15	6	23
26			
27	A18	9	5
28	A21	17	9
JACK		PIN	LG

63017300 Rev. D

Exit Control  
A Registers

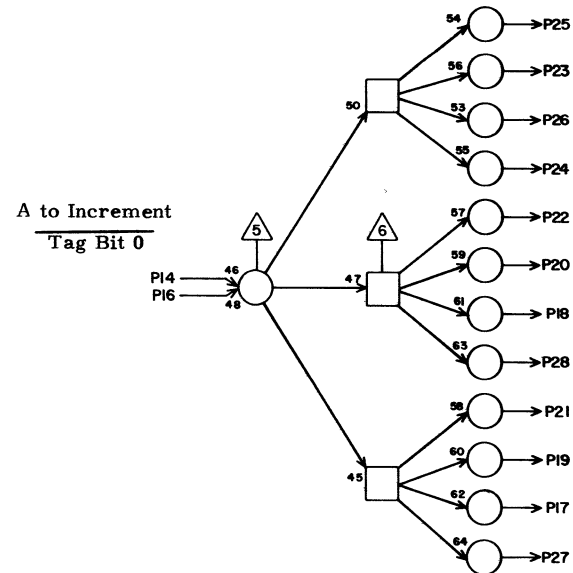
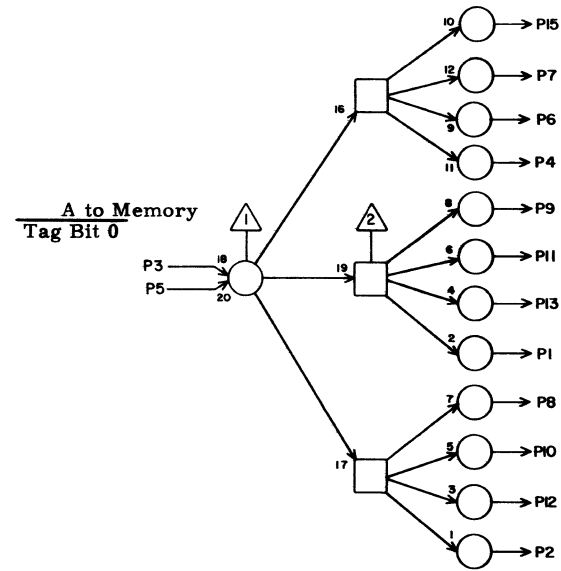


RH 7A17

1	A22	17	9
2	A17	21	5
3			
4	G21	7	27
5	B23	17	11
6			
7	F16	7	23
8	A17	22	5
9	A30	11	15
10	B20	11	9
11	B20	17	9
12			
13	A30	17	15
14	F33	22	27
15	B28	1	13
16	B15	1	5
17	A15	1	5
18	A25	1	11
19			
20	G21	6	27
21	A17	2	5
22	A17	8	5
23	A18	20	5
24	B24	17	11
25	F16	6	23
26			
27	A18	11	5
28	A23	17	9

JACK PIN LG

Exit Control  
A Registers



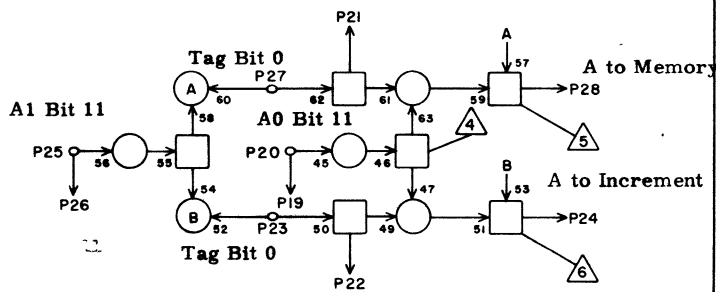
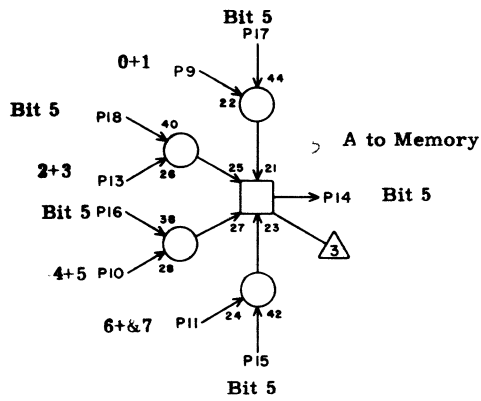
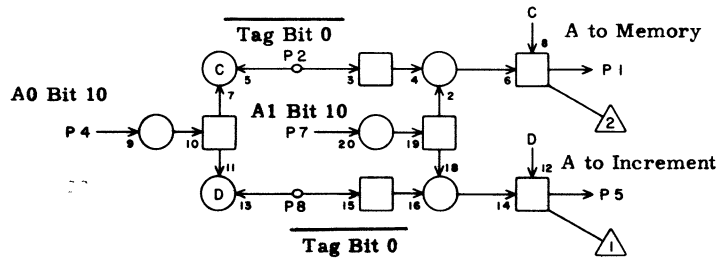
TC 7A18

1	A24	27	9
2	A25	27	11
3	K25	27	41
4	A23	27	9
5	GND	X	2
6	A15	27	5
7	A14	27	7
8	A20	27	5
9	A16	27	5
10	A21	27	9
11	A17	27	5
12	A22	27	9
13	A19	27	5
14	C33	19	19
15	A13	27	9
16	GND	X	2
17	A22	23	9
18	A19	23	3
19	A21	23	5
20	A17	23	5
21	A20	23	5
22	A16	23	5
23	A14	23	5
24	A23	23	9
25	A13	23	9
26	A15	23	5
27	A25	23	11
28	A24	23	9

JACK PIN LG

Exit Control  
A Registers

RH 7A19



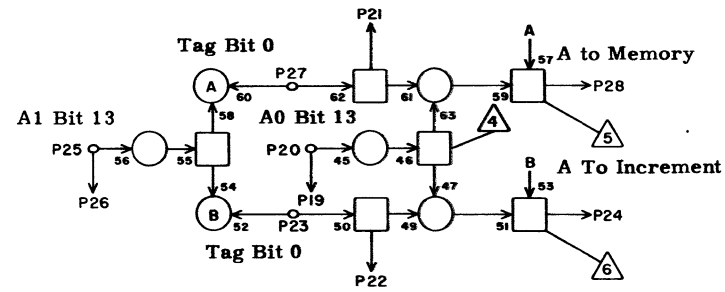
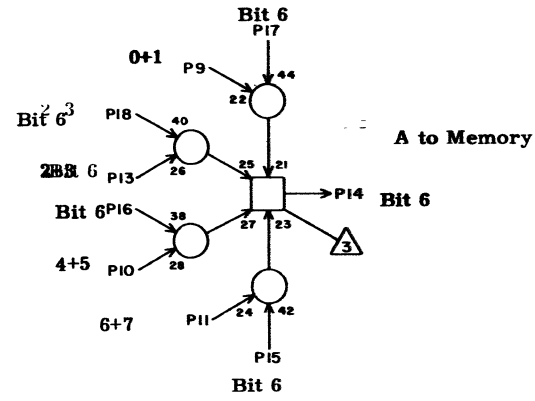
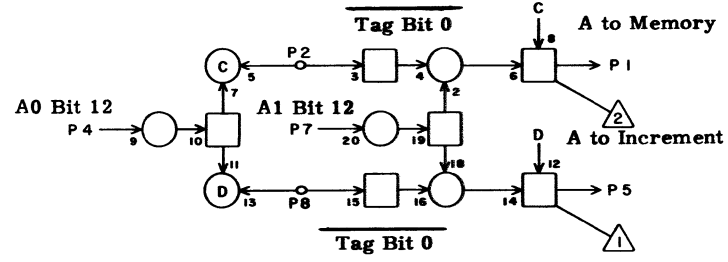
1	A24	17	9
2	A19	21	5
3			
4	G22	7	25
5	B27	17	13
6			
7	F17	7	23
8	A19	22	5
9	A30	13	13
10	B20	13	9
11	B20	19	9
12			
13	A30	19	13
14	F33	24	25
15	B28	28	13
16	B15	28	11
17	A15	28	9
18	A25	28	9
19			
20	G22	6	25
21	A19	2	5
22	A19	8	5
23	A18	18	3
24	B28	17	13
25	F17	6	23
26			
27	A18	13	5
28	A25	17	9

JACK PIN LG

63017300 Rev. D

Exit Control  
A Registers

RH 7A20



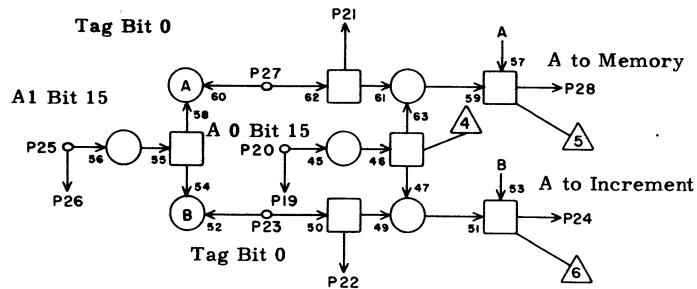
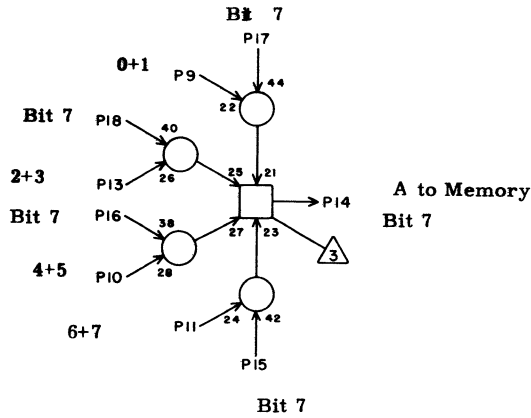
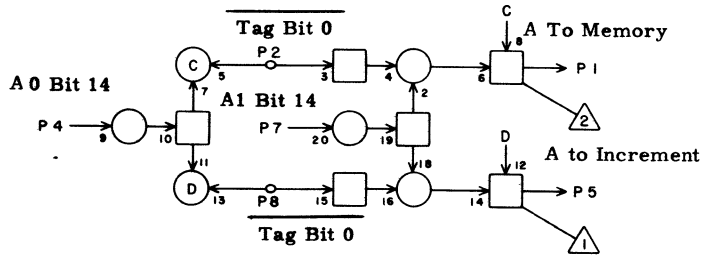
1	A26	17	9
2	A20	21	5
3			
4	G23	7	25
5	B29	17	13
6			
7	G12	7	27
8	A20	22	5
9	A30	8	13
10	B20	8	9
11	B20	21	9
12			
13	A30	21	13
14	F34	8	25
15	B29	1	11
16	B16	1	9
17	A16	1	9
18	A26	1	9
19			
20	G23	6	25
21	A20	2	5
22	A20	8	5
23	A18	21	5
24	B30	17	13
25	G12	6	27
26			
27	A18	8	5
28	A27	17	11

JACK PIN LG

63017300 Rev. 1D

Exit Control  
A Registers

RH 7A21

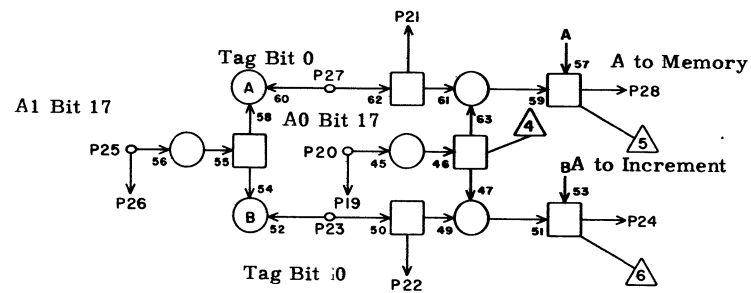
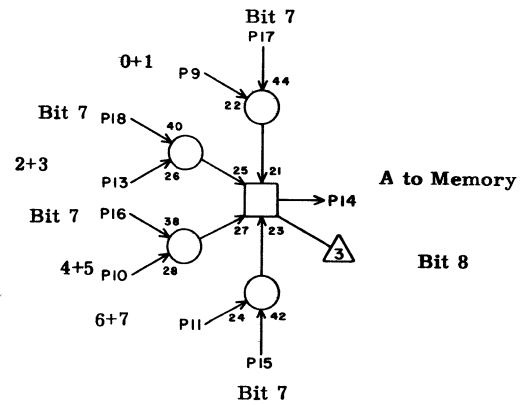
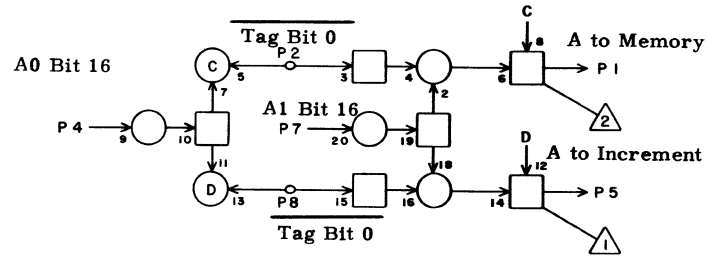


1	A28	17	11
2	A21	21	5
3			
4	G24	7	25
5	B31	17	13
6			
7	G13	7	27
8	A21	22	5
9	A30	10	11
10	B20	10	9
11	B20	24	9
12			
13	A30	24	11
14	F34	22	25
15	B29	28	13
16	B16	28	11
17	A16	28	9
18	A16	28	9
19			
20	G24	6	25
21	A21	2	5
22	A21	8	5
23	A18	19	5
24	B32	17	15
25	G13	6	27
26			
27	A18	10	9
28	A31	17	15

JACK PIN LG

Exit Control  
A Registers

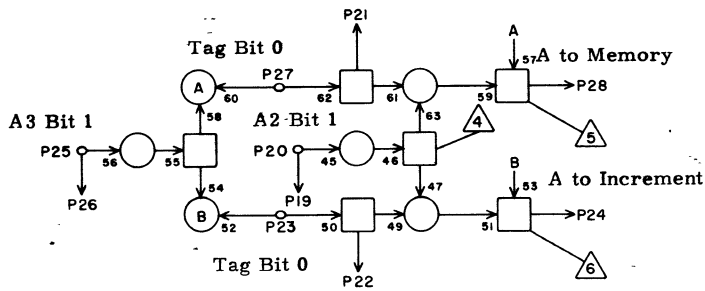
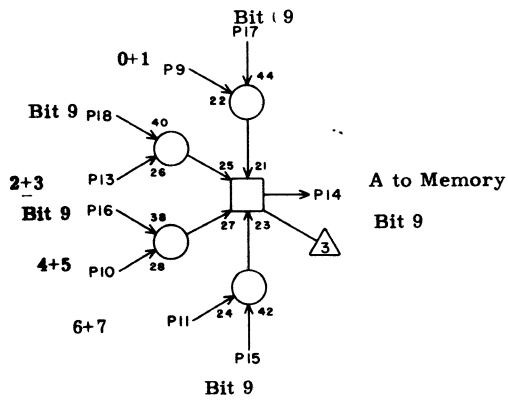
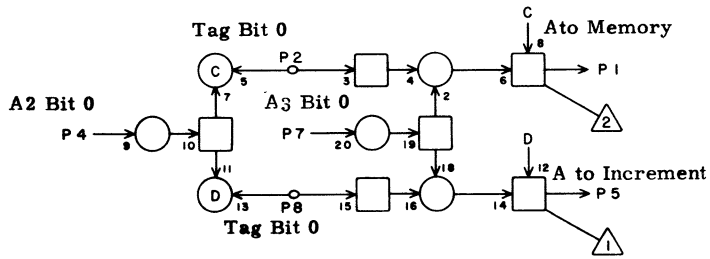
RH 7A22



1	A32	17	13
2	A22	21	5
3			
4	G25	7	27
5	B33	17	15
6			
7	G14	7	27
8	A22	22	5
9	A30	12	11
10	B20	12	9
11	B20	26	9
12			
13	A30	26	11
14	F34	24	27
15	B30	1	11
16	B17	1	9
17	A17	1	9
18	A27	1	9
19			
20	G25	6	27
21	A22	2	5
22	A22	8	5
23	A18	17	9
24	B34	17	17
25	G14	6	27
26			
27	A18	12	9
28	A33	17	13

JACK PIN LG

Exit Control  
A Registers



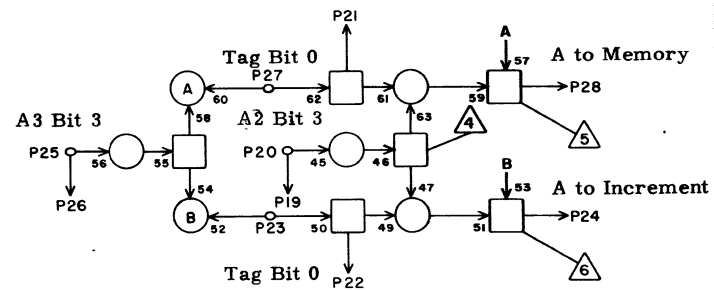
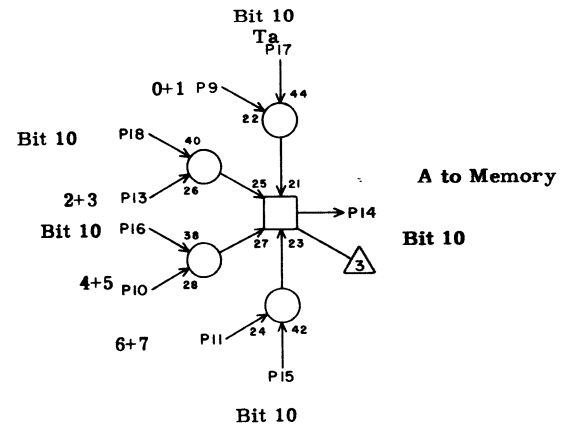
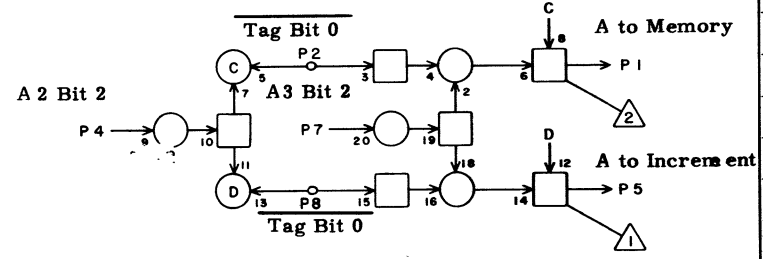
RH **7A23**

1	A13	18	13
2	A23	21	5
3			
4	D15	7	17
5	B13	18	15
6			
7	C12	7	17
8	A23	22	5
9	A30	14	11
10	B20	14	11
11	B20	28	9
12			
13	A30	28	9
14	F35	8	25
15	B30	28	11
16	B17	28	11
17	A17	28	9
18	A27	28	9
19			
20	D15	6	17
21	A23	2	5
22	A23	8	5
23	A18	24	9
24	B14	18	13
25	C12	6	17
26			
27	A18	4	9
28	A14	18	11

JACK PIN LG

63017300 Rev. D

Exit Control  
A Registers



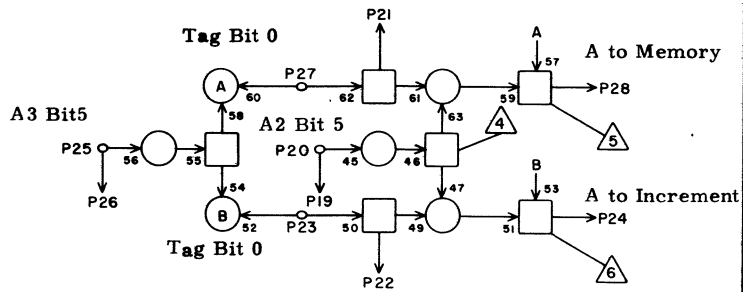
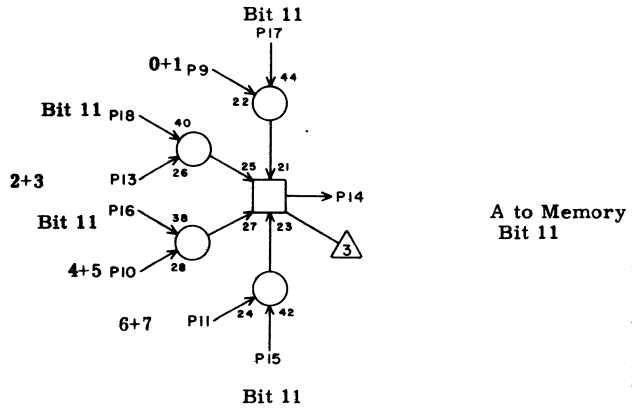
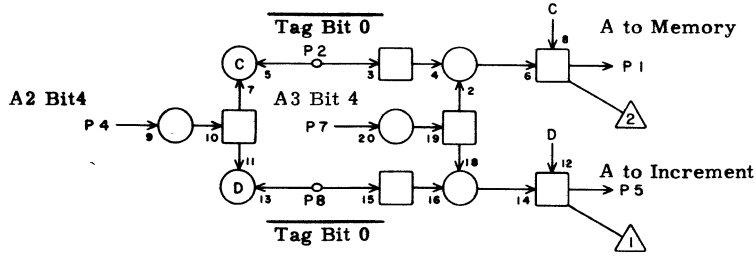
RH **7A24**

1	A15	18	11
2	A24	21	5
3			
4	D16	7	17
5	B15	18	15
6			
7	C13	7	17
8	A24	22	5
9	B25	10	9
10	B25	21	9
11	C11	10	19
12			
13	B25	27	9
14	F35	22	27
15	B31	1	11
16	B18	1	11
17	A19	1	9
18	A28	1	9
19			
20	D16	6	19
21	A24	2	5
22	A24	8	5
23	A18	28	9
24	B16	18	11
25	C13	6	17
26			
27	A18	1	9
28	A16	18	11

JACK PIN LG

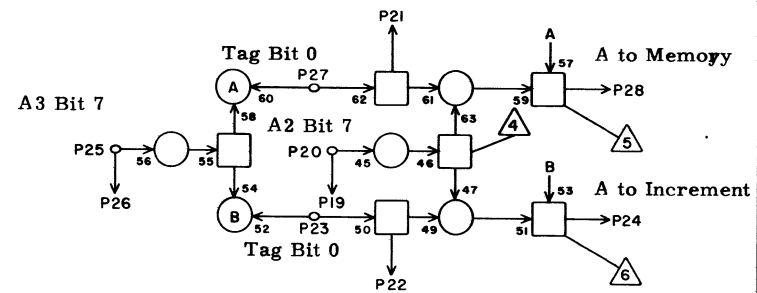
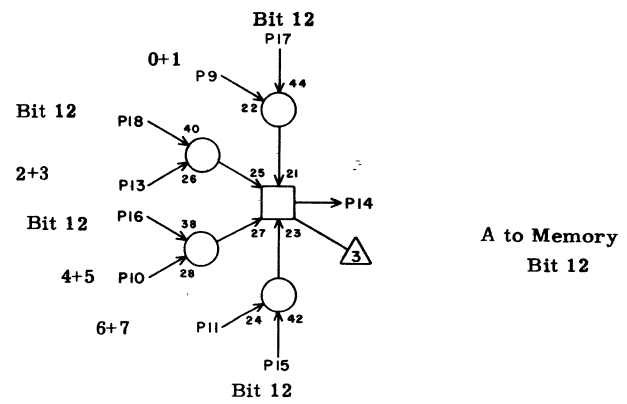
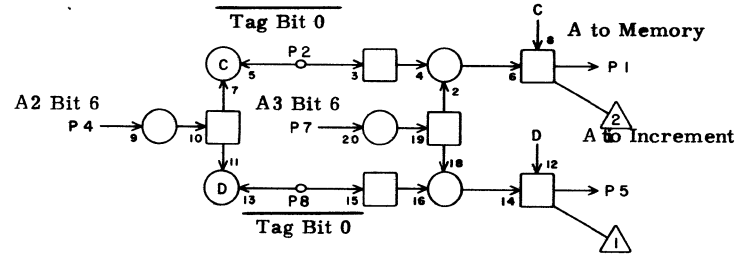
63017300 Rev. D

Exit Control  
A Registers



RH		7A25	
1	A17	18	11
2	A25	21	5
3			
4	D17	7	19
5	B17	18	13
6			
7	C14	7	17
8	A25	22	5
9	B25	8	9
10	B25	19	9
11	C11	8	19
12			
13	B25	25	9
14	F35	24	27
15	B31	28	11
16	B18	28	11
17	A19	28	9
18	A28	28	9
19			
20	D17	6	19
21	A25	2	5
22	A25	8	5
23	A18	27	11
24	B18	18	11
25	C14	6	17
26			
27	A18	2	11
28	A19	18	9
	JACK	PIN	LG

Exit Control  
A Registers

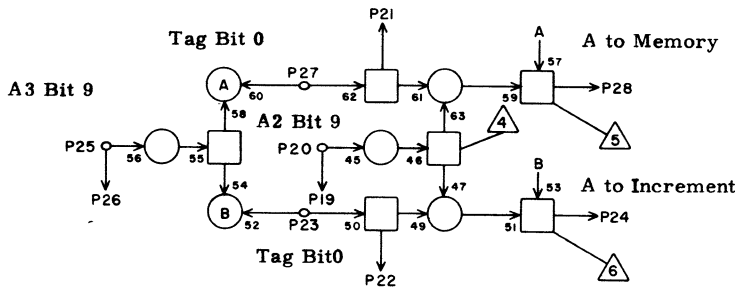
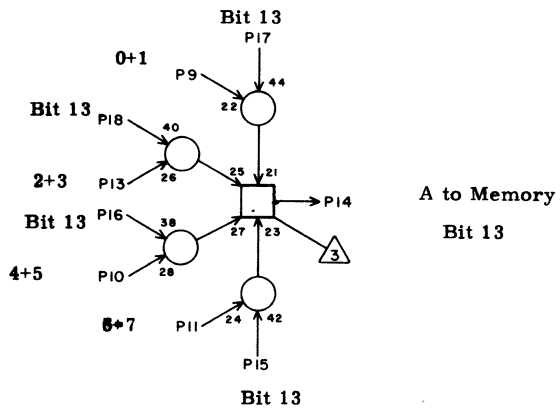
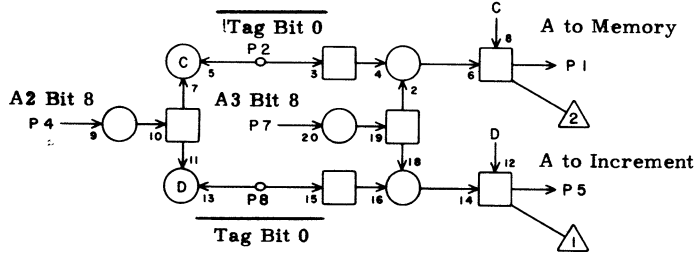


RH		7A26	
1	A20	18	9
2	A26	21	5
3			
4	E12	7	23
5	B19	18	13
6			
7	C15	7	17
8	A26	22	5
9	B25	5	9
10	B25	17	9
11	C11	5	19
12			
13	B25	24	9
14	E26	8	19
15	B32	1	11
16	B19	1	11
17	A20	1	9
18	A31	1	9
19			
20	E12	6	23
21	A26	2	5
22	A26	8	5
23	A29	25	9
24	B22	18	11
25	C15	6	17
26			
27	A29	15	5
28	A21	18	9
	JACK	PIN	LG



Exit Control

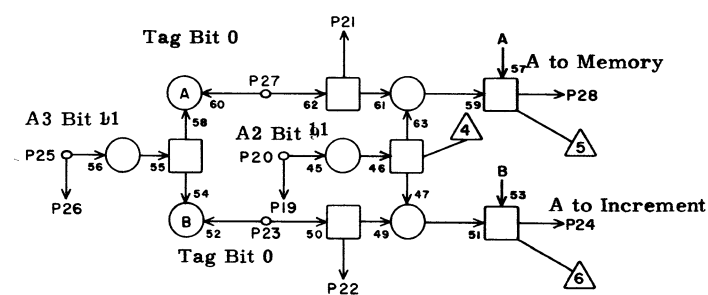
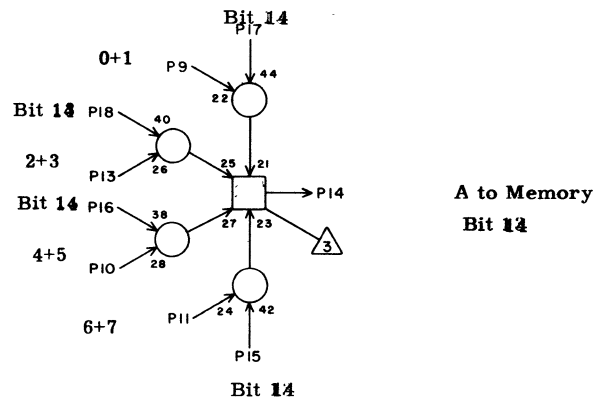
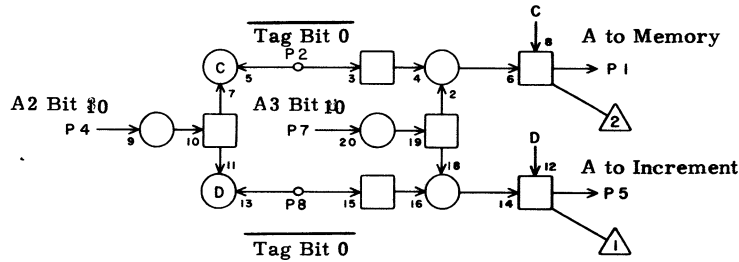
A Registers



RH			
7A27			
1	A22	18	9
2	A27	21	5
3			
4	E13	7	23
5	B23	18	11
6			
7	C16	7	17
8	A27	22	5
9	B25	3	9
10	B25	15	9
11	C11	3	19
12			
13	B25	23	9
14	E26	22	21
15	B32	28	11
16	B19	28	13
17	A20	28	11
18	A31	28	9
19			
20	E13	6	23
21	A27	2	5
22	A27	8	5
23	A29	23	5
24	B24	18	9
25	C16	6	17
26			
27	A29	7	5
28	A23	18	9
	JACK	PIN	LG

Exit Control

A Registers

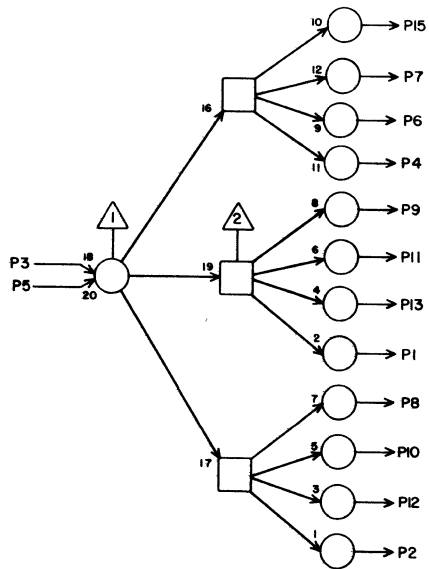


RH			
7A28			
1	A24	18	9
2	A28	21	5
3			
4	E14	7	23
5	B27	18	9
6			
7	C17	7	17
8	A28	22	5
9	B25	9	9
10	B25	26	9
11	C11	9	21
12			
13	B25	2	9
14	E26	24	19
15	B33	1	9
16	B22	1	9
17	A21	1	11
18	A32	1	9
19			
20	E14	6	23
21	A28	2	5
22	A28	8	5
23	A29	26	5
24	B28	18	5
25	C17	6	17
26			
27	A29	6	5
28	A25	18	9
	JACK	PIN	LG

Exit Control

A to Memory

Tag Bit 0



TC 7A29

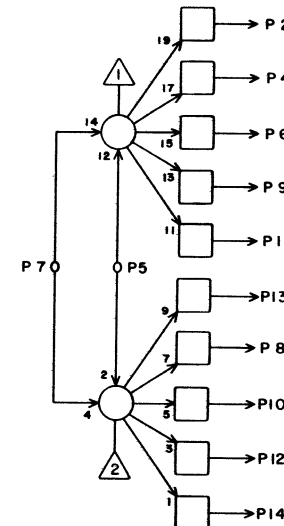
1	B14	27	19
2	B18	27	15
3	K25	25	41
4	A31	27	5
5	GND	X	2
6	A28	27	5
7	A27	27	9
8	B15	27	19
9	A32	27	9
10	B16	27	15
11	A33	27	9
12	B17	27	15
13	B13	27	19
14	C33	17	13
15	A26	27	5
16	GND	X	2
17	B17	23	15
18	B13	23	21
19	B16	23	17
20	A33	23	9
21	B15	23	17
22	A32	23	5
23	A27	23	5
24	A31	23	5
25	A26	23	9
26	A28	23	5
27	B18	23	15
28	B14	23	17

JACK PIN LG

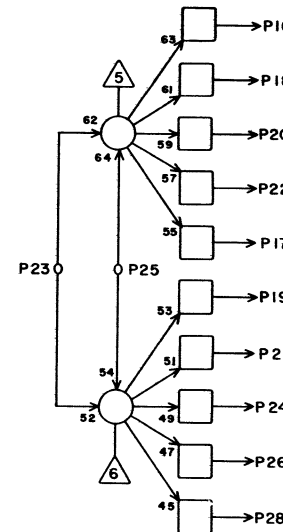
63017300 Rev. F

Exit Control

A0 and A1  
to Memory



A2 and A3  
to Memory



7A30

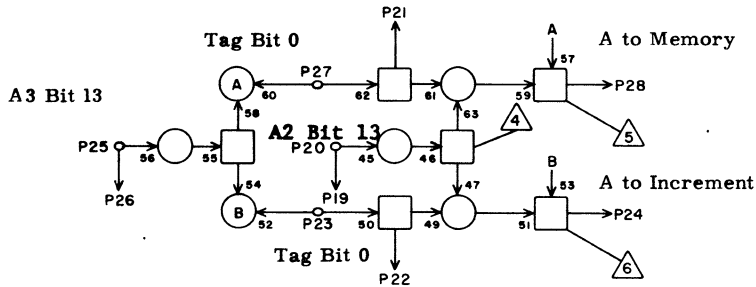
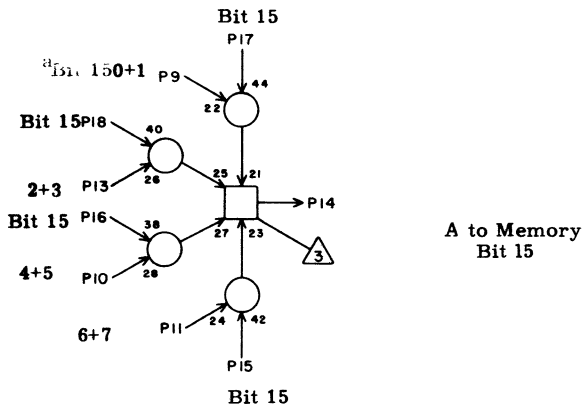
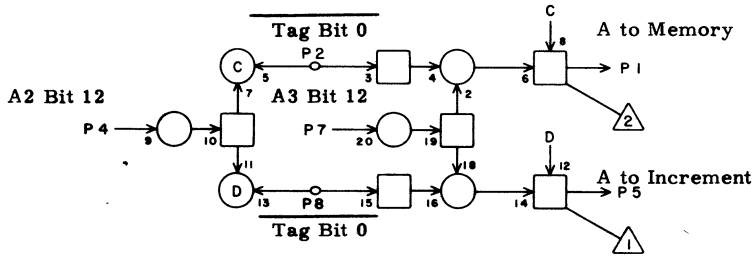
HC 7A30

1			
2	A13	9	17
3			
4	A14	9	15
5	K15	6	41
6	A15	9	17
7	gnd		2
8	A20	9	13
9	A16	9	17
10	A21	9	11
11	A17	9	15
12	A22	9	11
13	A19	9	13
14	A23	9	11
15			
16	A13	13	19
17	A17	13	15
18	A14	13	17
19	A19	13	13
20	A15	13	17
21	A20	13	13
22	A16	13	15
23	gnd		2
24	A21	13	11
25	K15	5	41
26	A22	13	11
27			
28	A23	13	9

JACK PIN LG

63017300 Rev. D

Exit Control  
A Registers

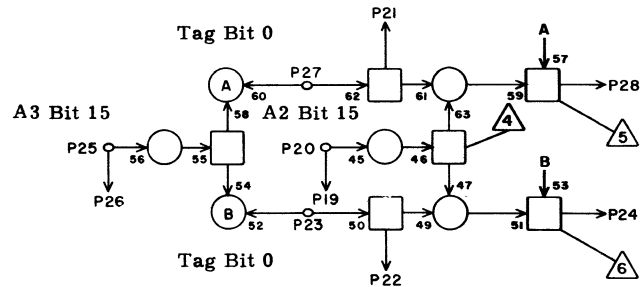
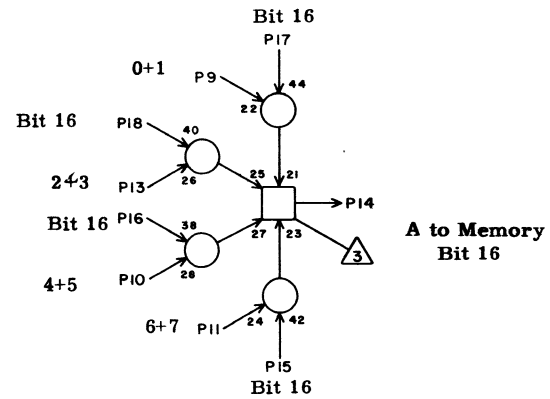
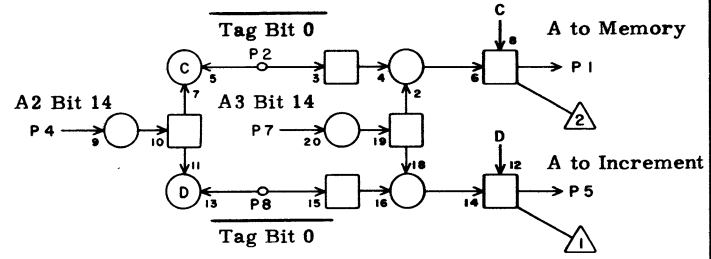


RH		7A31	
1	A26	18	9
2	A31	21	5
3			
4	E15	7	23
5	B29	18	9
6			
7	D12	7	23
8	A31	22	5
9	B25	11	11
10	B25	20	11
11	C11	11	23
12			
13	B25	4	11
14	E27	8	19
15	B33	28	9
16	B22	28	13
17	A21	28	13
18	A32	28	5
19			
20	E15	6	23
21	A31	2	5
22	A31	8	5
23	A29	24	5
24	B30	18	9
25	D12	6	23
26			
27	A29	4	5
28	A27	18	9

JACK PIN LG

RH 7A32

Exit Control  
A Registers

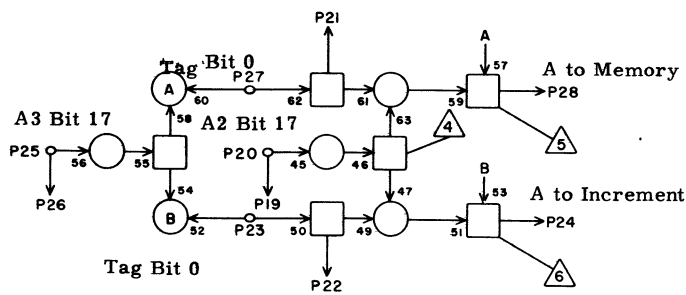
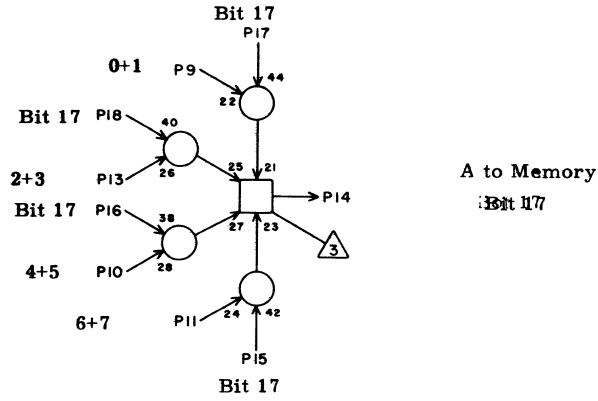
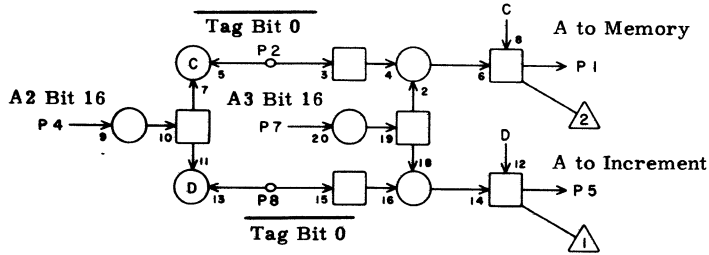


RH		7A32	
1	A28	18	9
2	A32	21	5
3			
4	E16	7	23
5	B31	18	9
6			
7	D13	7	23
8	A32	22	5
9	B25	12	11
10	B25	18	11
11	C11	12	23
12			
13	B25	7	11
14	E27	22	19
15	B34	1	9
16	B23	1	13
17	A22	1	13
18	A33	1	5
19			
20	E16	6	23
21	A32	2	5
22	A32	8	5
23	A29	22	5
24	B32	18	5
25	D13	6	23
26			
27	A29	9	9
28	A31	18	5

JACK PIN LG

Exit Control  
A Registers

RH 7A33



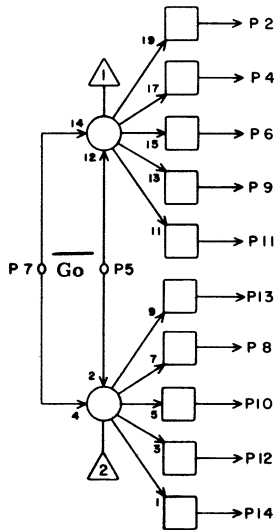
1	A32	18	5
2	A33	21	5
3			
4	E17	7	25
5	B33	18	9
6			
7	D14	7	25
8	A33	22	5
9	B25	14	13
10	B25	22	13
11	C11	14	25
12			
13	B25	6	13
14	E27	24	23
15	B34	28	9
16	B23	28	15
17	A22	28	13
18	A33	28	5
19			
20	E17	6	25
21	A33	2	5
22	A33	8	5
23	A29	20	9
24	B34	18	9
25	D14	6	23
26			
27	A29	11	9
28	A33	18	5

JACK PIN LG

Entry Control

HC 7A 35

Exchange  
Jump to X



JACK	PIN	LG
1		
2	A38	25 7
3		
4	A40	25 9
5	C36	16 13
6	A42	25 11
7	gnd	2
8	C38	25 13
9	B38	25 9
10	C40	25 13
11	B40	25 9
12	C42	25 13
13	B42	25 11
14		
15		
16	A38	3 7
17	B40	3 9
18	A40	3 9
19	B42	3 11
20	A42	3 11
21	C38	3 11
22	B38	3 7
23	gnd	2
24	C40	3 11
25	C36	18 13
26	C42	3 13
27		
28		

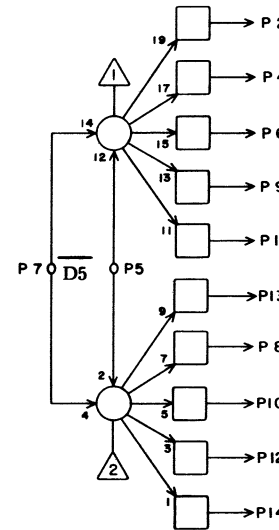
JACK PIN LG

63017300 Rev. E

Entry Control

HC 7A 36

Memory to D5

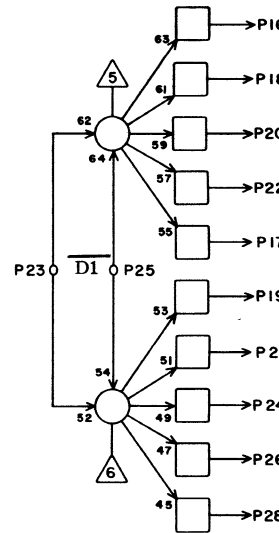


JACK	PIN	LG
1		
2	A37	16 5
3		
4	A39	16 5
5	D22	28 23
6	A41	16 9
7	gnd	2
8	C37	16 11
9	B37	16 9
10	C39	16 13
11	B39	16 7
12	C41	16 13
13	B41	16 9
14		
15		
16	A37	25 5
17	B39	25 9
18	A39	25 5
19	B41	25 9
20	A41	25 9
21	C37	25 11
22	B37	25 9
23	gnd	2
24	C39	25 11
25	D23	28 23
26	C41	25 13
27		
28		

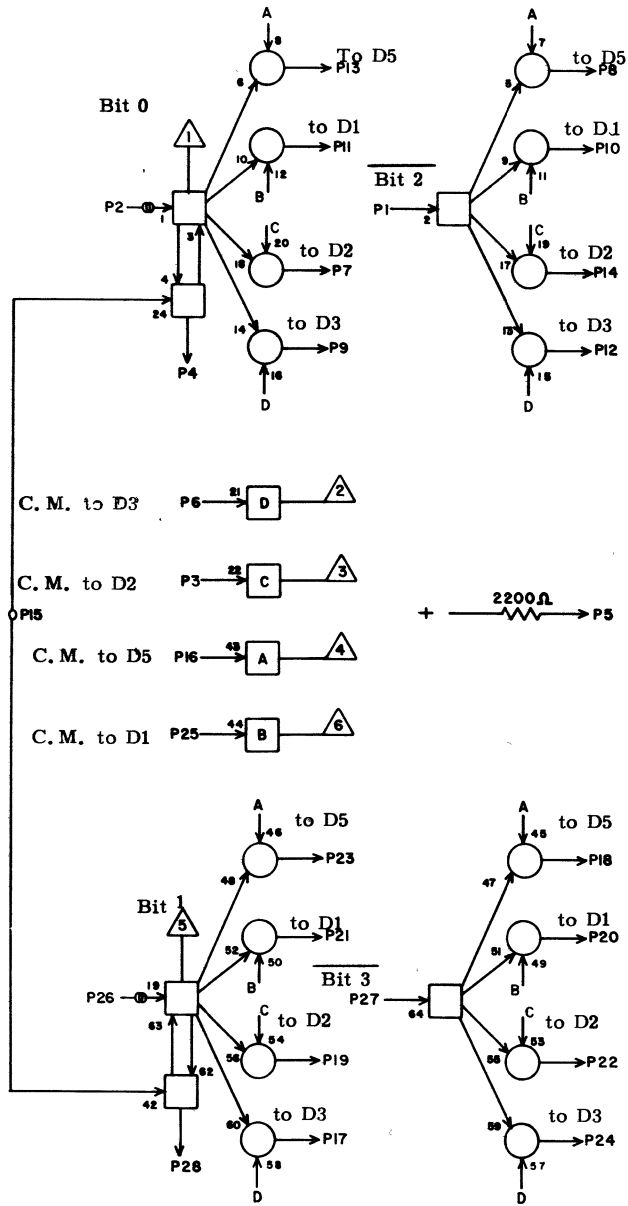
JACK PIN LG

63017300 Rev. D

Memory to D1



Entry Control Trunk  
C. M. to D.



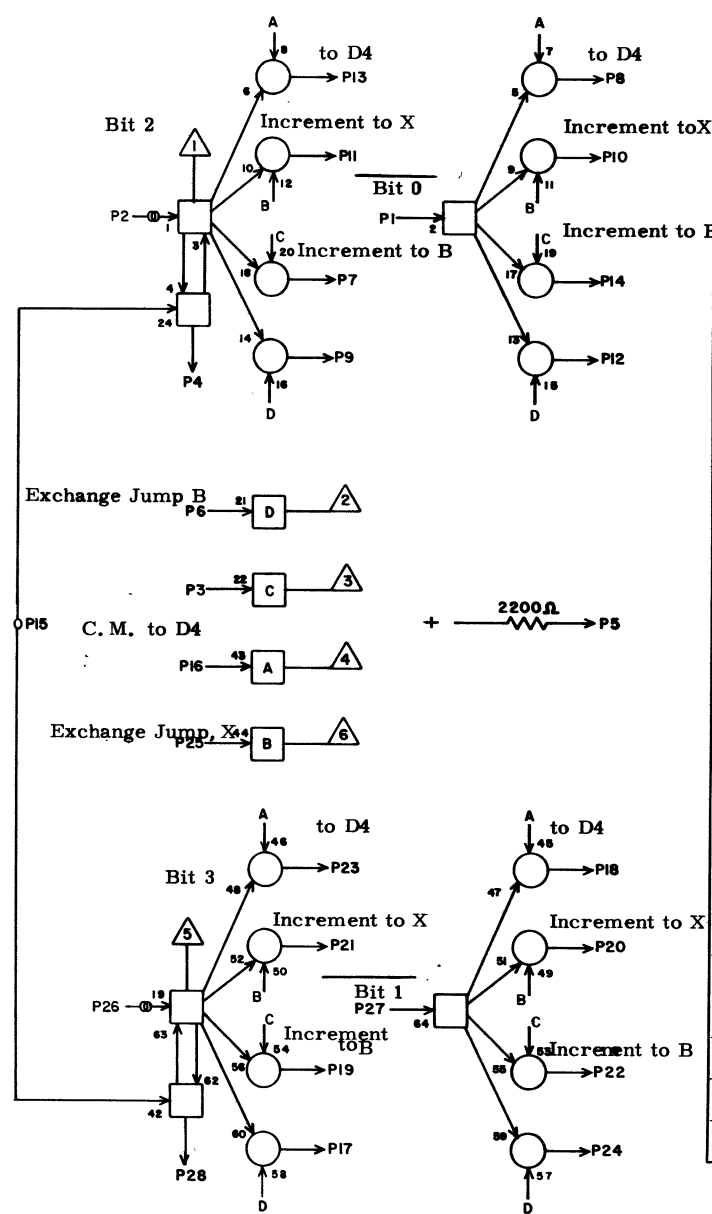
RA 7A37

1	A38	4	5
2	W05	900	
3	B36	2	7
4	A38	1	5
5			
6	B36	16	9
7	E20	11	25
8	C20	1	19
9	F20	11	27
10	D20	1	23
11	D20	11	23
12	F20	1	27
13	C20	11	19
14	E20	1	25
15	B35	15	7
16	A36	2	5
17	F20	4	27
18	C20	18	19
19	E20	4	25
20	D20	18	23
21	D20	4	23
22	E20	18	25
23	C20	4	19
24	F20	18	27
25	A36	16	5
26	W05	901	
27	A38	28	3
28	A38	27	3

JACK PIN LG

63017300 Rev. D

Entry Control: Trunk  
C. M. to D.



RA 7A38

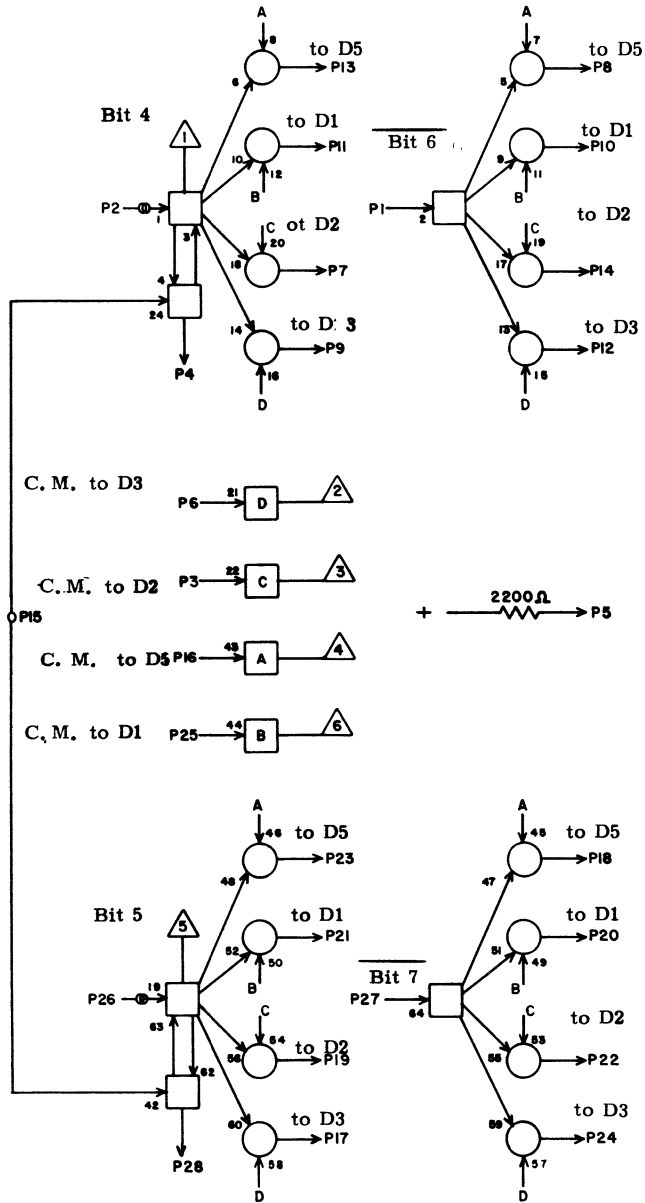
1	A37	4	5
2	W05	902	
3	A35	16	7
4	A37	1	5
5			
6			
7	M30	4	45
8	J20	11	39
9			
10	H12	4	37
11	H13	4	37
12			
13	J20	1	39
14	M29	4	45
15	B35	7	7
16	C36	2	11
17			
18	J20	4	39
19	M30	28	47
20	H12	28	37
21	H13	28	37
22	M29	28	47
23	J20	18	39
24			
25	A35	2	7
26	W05	903	
27	A37	28	3
28	A37	27	3

JACK PIN LG

7A38

63017300 Rev. D

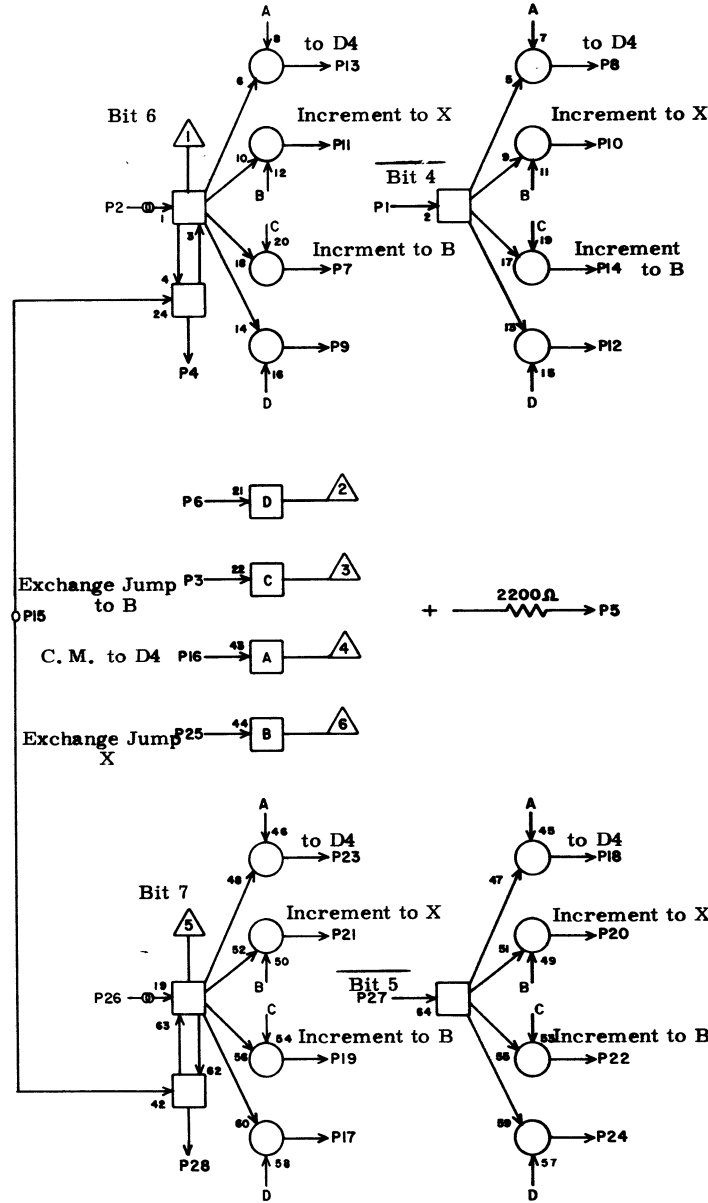
Entry Control Trunk  
C. M. to D



RA		7A39	
1	A40	4	3
2	W05	904	
3	B36	4	9
4	A40	1	3
5			
6	B36	18	9
7	E20	16	27
8	C21	11	21
9	F20	16	29
10	D21	11	25
11	D20	16	25
12	F21	11	27
13	C20	16	25
14	E21	11	27
15	B35	6	9
16	A36	4	5
17	F20	15	29
18	C21	4	21
19	E20	15	27
20	D21	4	25
21	D20	15	25
22	E21	4	27
23	C20	15	25
24	F21	4	27
25	A36	18	5
26	W05	905	
27	A40	28	5
28	A40	27	5
	JACK	PIN	LG

63017300 Rev. D

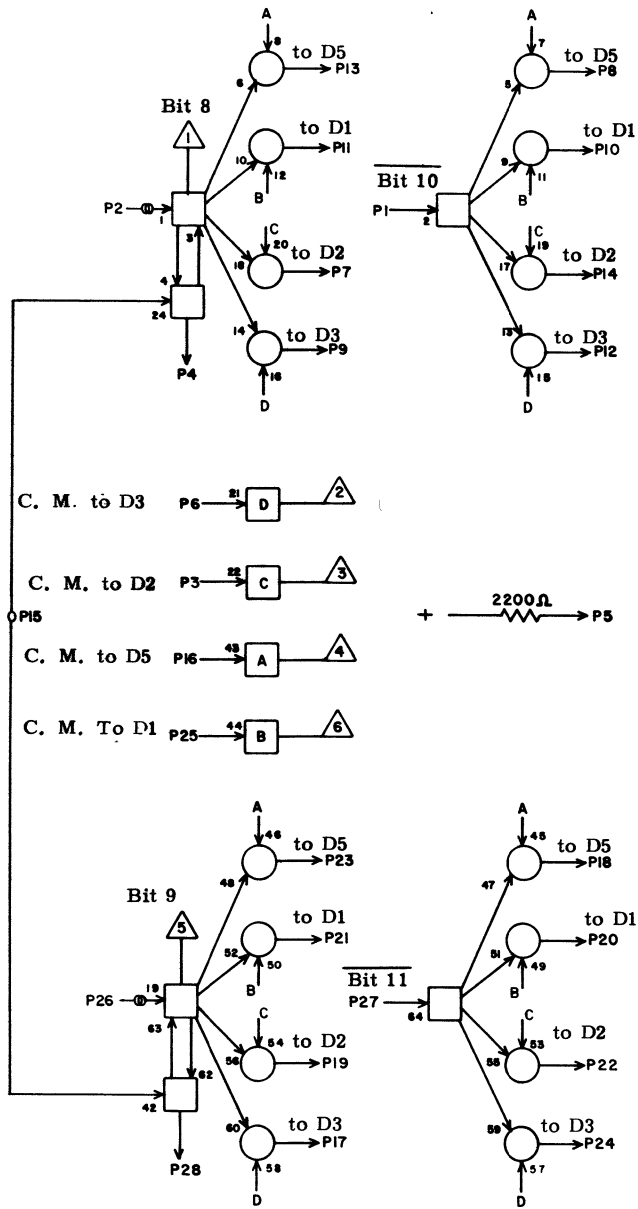
Entry Control: Trunk C. M. to D



RA		7A40	
1	A39	4	3
2	W05	906	
3	A35	18	9
4	A39	1	3
5			
6			
7	M32	4	45
8	J20	16	41
9			
10	H14	4	37
11	H15	4	
12			
13	J21	11	
14	M31	4	45
15	B35	4	9
16	C36	4	11
17			
18	J20	15	41
19	M32	28	47
20	H14	28	37
21	H15	28	37
22	M31	28	47
23	J21	4	39
24			
25	A35	4	9
26	W05	907	
27	A39	28	5
28	A39	27	5
	JACK	PIN	LG

63017300 Rev. D

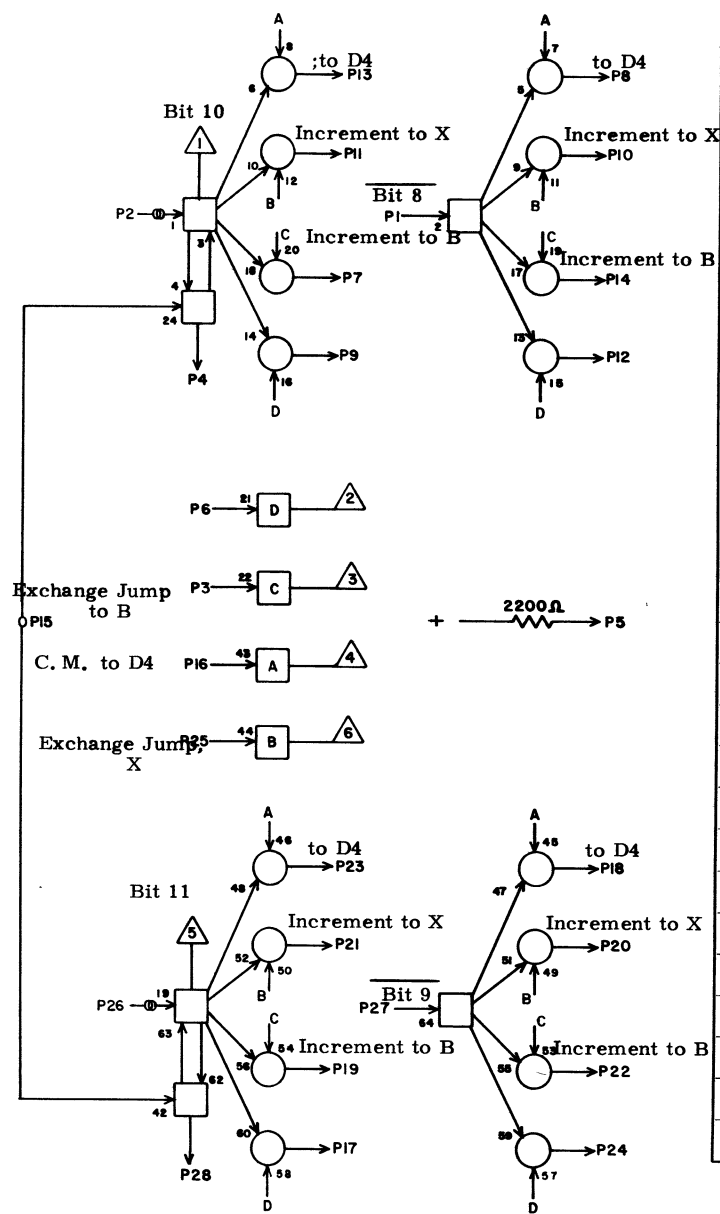
Entry Control: Trunk C. M. to D



RA 7A41

	JACK	PIN	LG
1	A42	4	3
2	W05	90	
3	B36	6	9
4	A42	1	3
5			
6	B36	20	9
7	E21	1	27
8	C21	16	23
9	F21	1	29
10	D21	16	25
11	D21	1	25
12	F21	16	27
13	C21	1	23
14	E21	16	27
15	B35	9	9
16	A36	6	9
17	F21	18	27
18	C21	15	23
19	E21	18	27
20	D21	15	25
21	D21	18	25
22	E21	15	27
23	C21	18	23
24	F21	15	27
25	A36	20	9
26	W05	91	
27	A42	28	3
28	A42	27	3

Entry Control: Trunk C. M. to D.

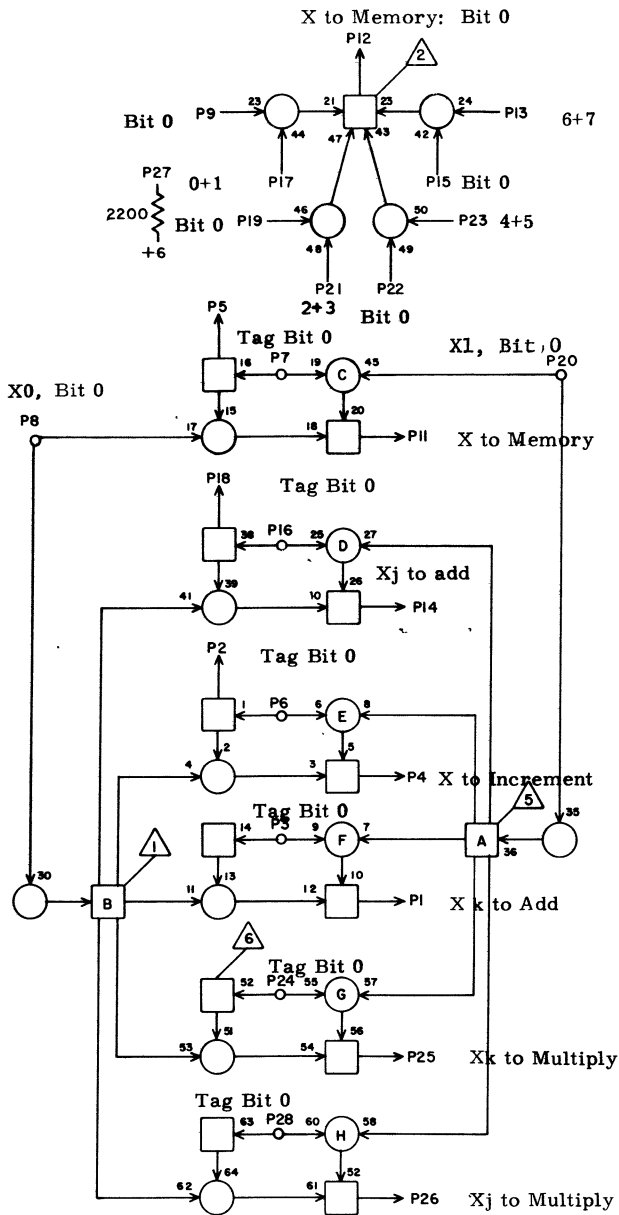


RA 7A42

	JACK	PIN	LG
1	A41	4	3
2	W05	92	
3	A35	20	11
4	A41	1	3
5			
6			
7	N29	4	51
8	J21	1	39
9			
10	H17	4	37
11	H18	4	37
12			
13	J21	16	39
14	M33	4	45
15	B35	11	11
16	C36	6	11
17			
18	J21	18	39
19	N29	28	51
20	H17	28	37
21	H18	28	37
22	M33	28	96
23	J21	15	39
24			
25	A35	6	11
26	W05	93	
27	A41	28	3
28	A41	27	3

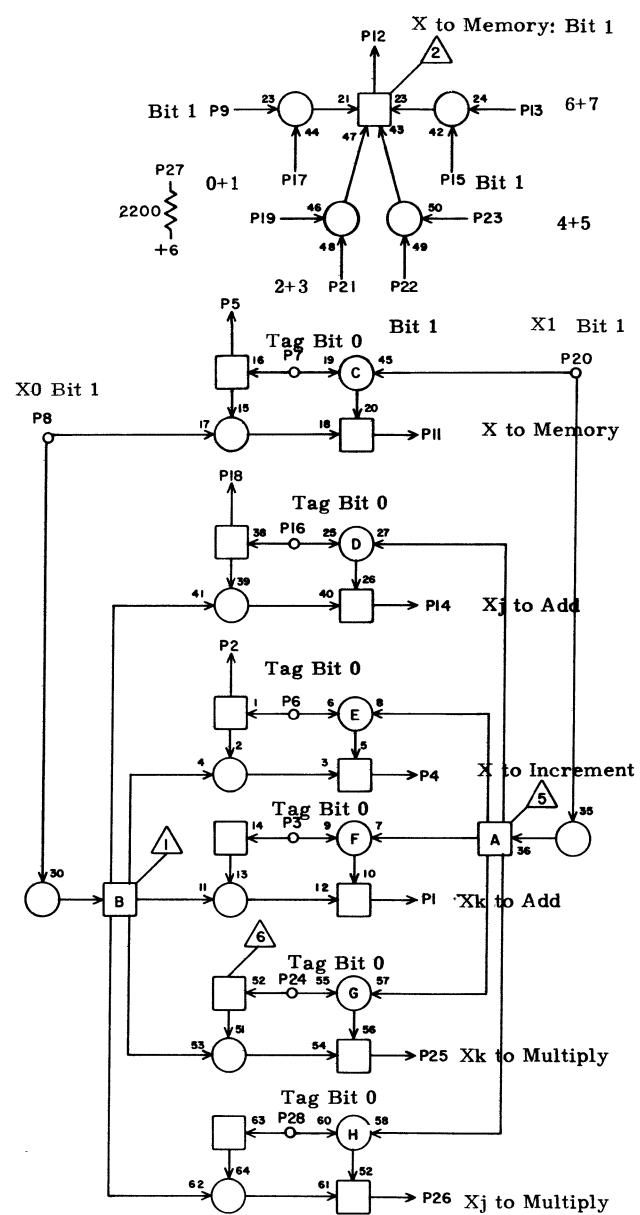


Entry Control X Registers



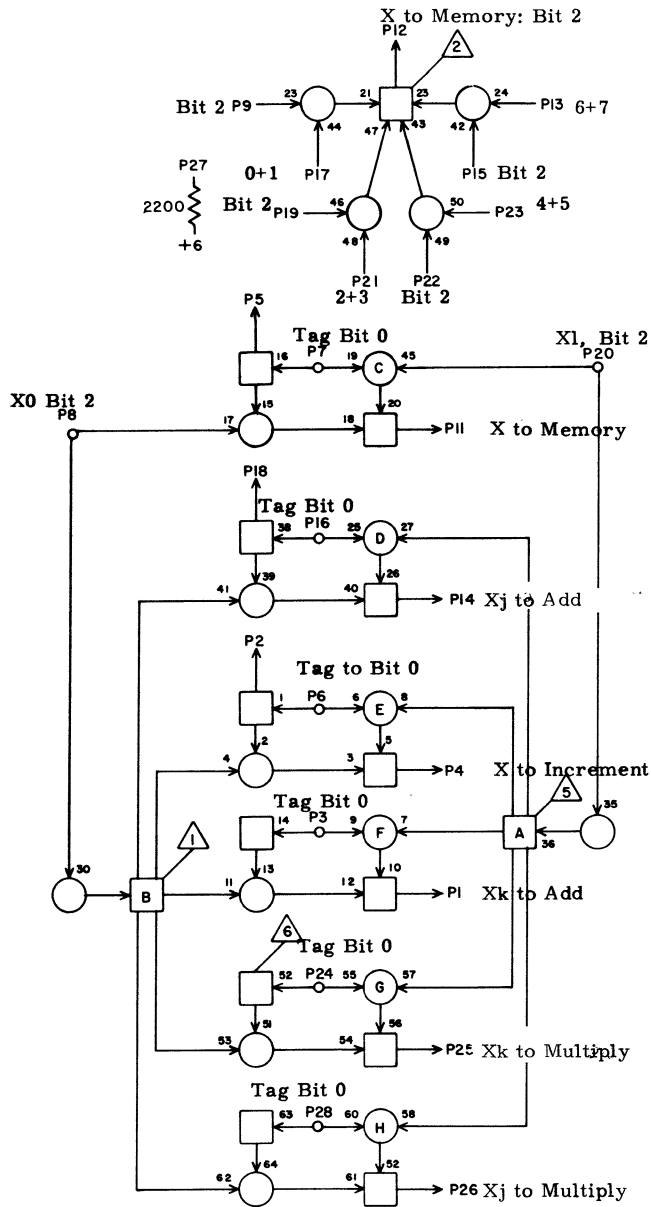
RF		7B1	
1	M39	8	53
2	C 1	28	9
3	C 1	5	7
4	G 1	9	23
5	C 1	3	7
6	F 8	25	21
7	F 1	15	17
8	C12	11	15
9	B 1	11	3
10			
11	B 1	9	3
12	F26	7	29
13	C10	25	13
14	L 1	9	37
15	O 1	11	49
16	F 2	25	19
17	B10	15	13
18	C 1	24	7
19	G 1	11	23
20	D15	11	17
21	B10	25	13
22	L 1	11	39
23	C10	15	13
24	C 1	18	5
25	G29	8	33
26	I29	8	35
27			
28	C 1	2	5
	JACK	PIN	LG

'Entry Control X Registers



RF		7B 2	
1	M39	22	53
2	C 2	28	9
3	C 2	5	7
4	G 2	9	23
5	C 2	3	7
6	F 8	23	21
7	F 1	7	17
8	C12	16	15
9	B2	11	3
10			
11	B 2	9	3
12	F26	19	29
13	C10	23	13
14	L 2	9	39
15	O 2	11	49
16	F 2	23	19
17	B10	7	11
18	C 2	24	7
19	G 2	11	23
20	D15	16	17
21	B10	23	11
22	L 2	11	39
23	C10	7	11
24	C 2	18	5
25	G29	22	33
26	I29	22	37
27			
28	C 2	2	5
	JACK	PIN	LG

Exit Control: X Registers

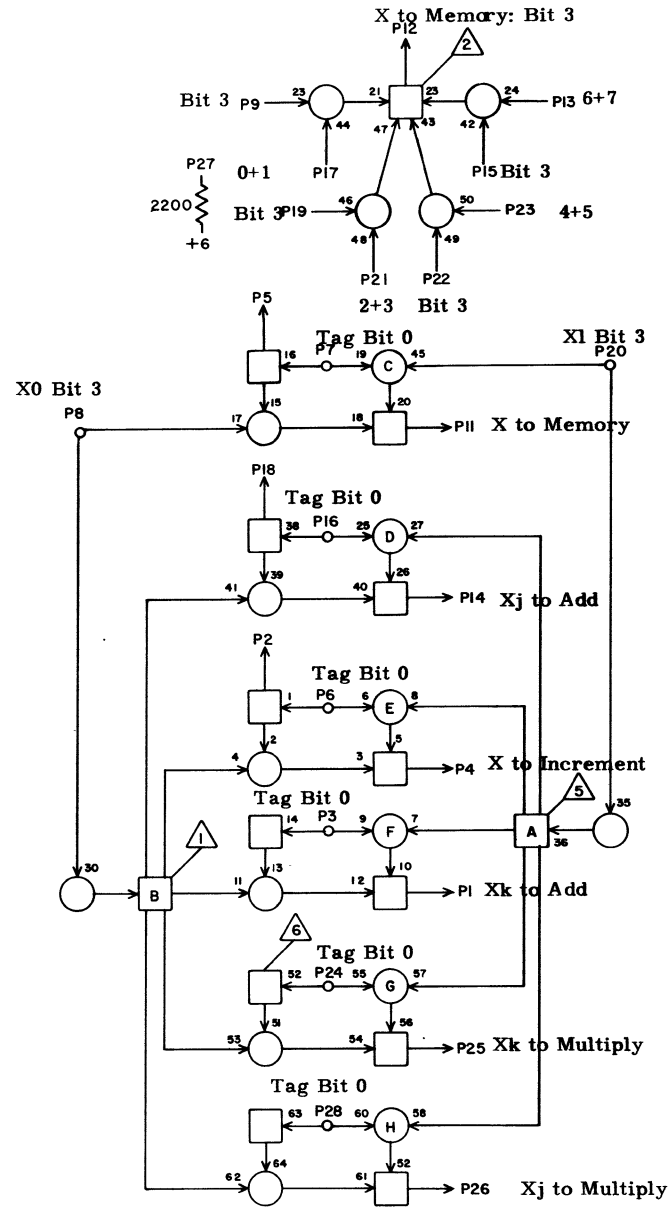


RF		7B 3	
1	M39	24	53
2	C 3	28	9
3	C 3	5	7
4	G 3	9	23
5	C 3	3	7
6	F 8	26	21
7	F 1	6	17
8	C12	26	13
9	B 3	11	3
10			
11	B 3	9	3
12	F26	28	29
13	C10	26	11
14	L 3	9	37
15	O 3	11	49
16	F 2	26	19
17	B10	6	11
18	C 3	24	7
19	G 3	11	23
20	D15	26	15
21	B10	26	11
22	L 3	11	39
23	C10	6	11
24	C 3	18	5
25	G29	24	33
26	I29	24	37
27			
28	C 3	2	5

JACK PIN LG

63017300 Rev. D

Exit Control: X Registers

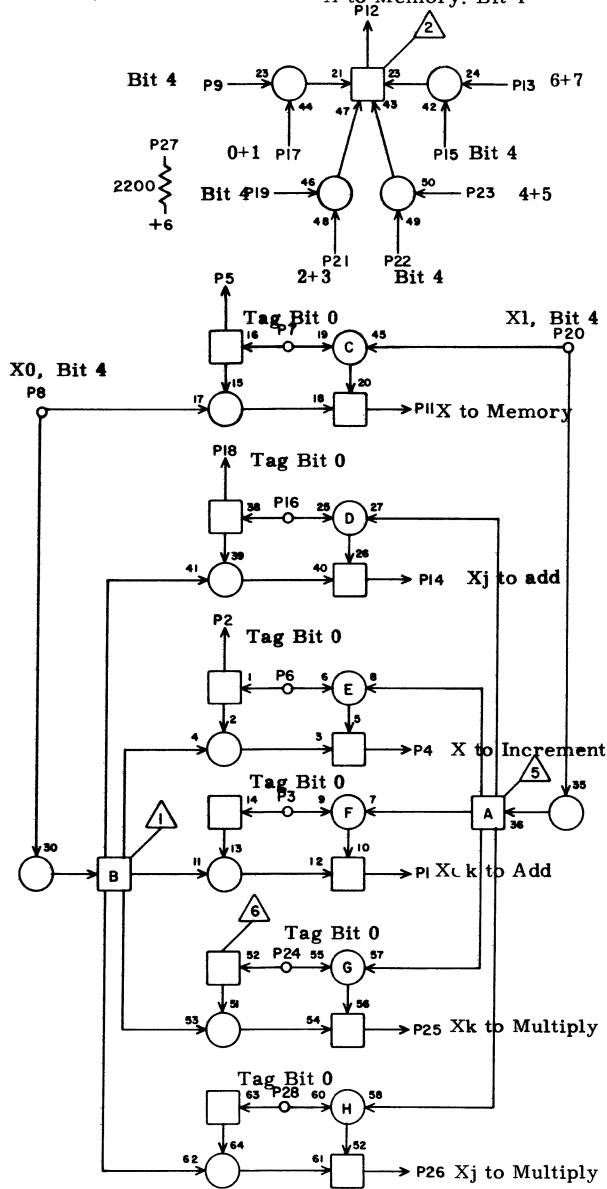


RF		7B 4	
1	M40	8	51
2	C 4	28	9
3	C 4	5	7
4	G 4	9	23
5	C 4	3	7
6	F 8	24	21
7	F 1	4	17
8	C12	27	13
9	B 4	11	3
10			
11	B 4	9	3
12	F27	7	27
13	C10	24	11
14	L 4	9	39
15	O 4	11	49
16	F 2	24	19
17	B10	4	9
18	C 4	24	7
19	G 4	11	23
20	D15	27	15
21	B10	24	9
22	L 4	11	39
23	C10	4	9
24	C 4	18	5
25	G30	8	31
26	I30	8	37
27			
28	C 4	2	5

JACK PIN LG

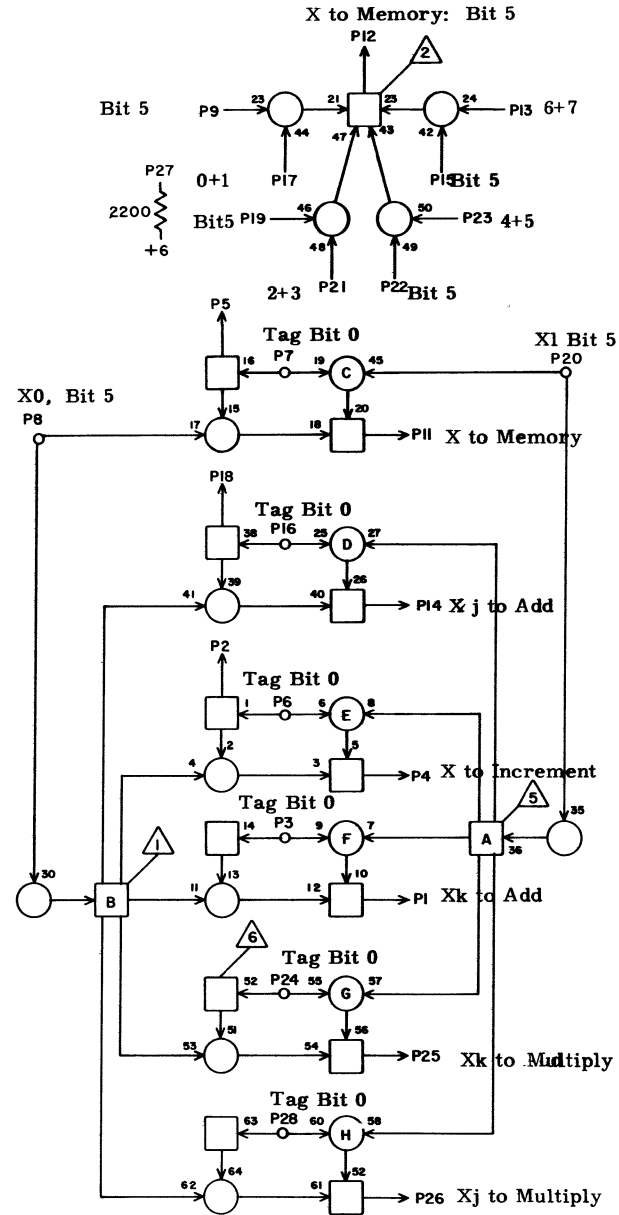
63017300 Rev. B

Exit Control: X Registers  
X to Memory: Bit 4



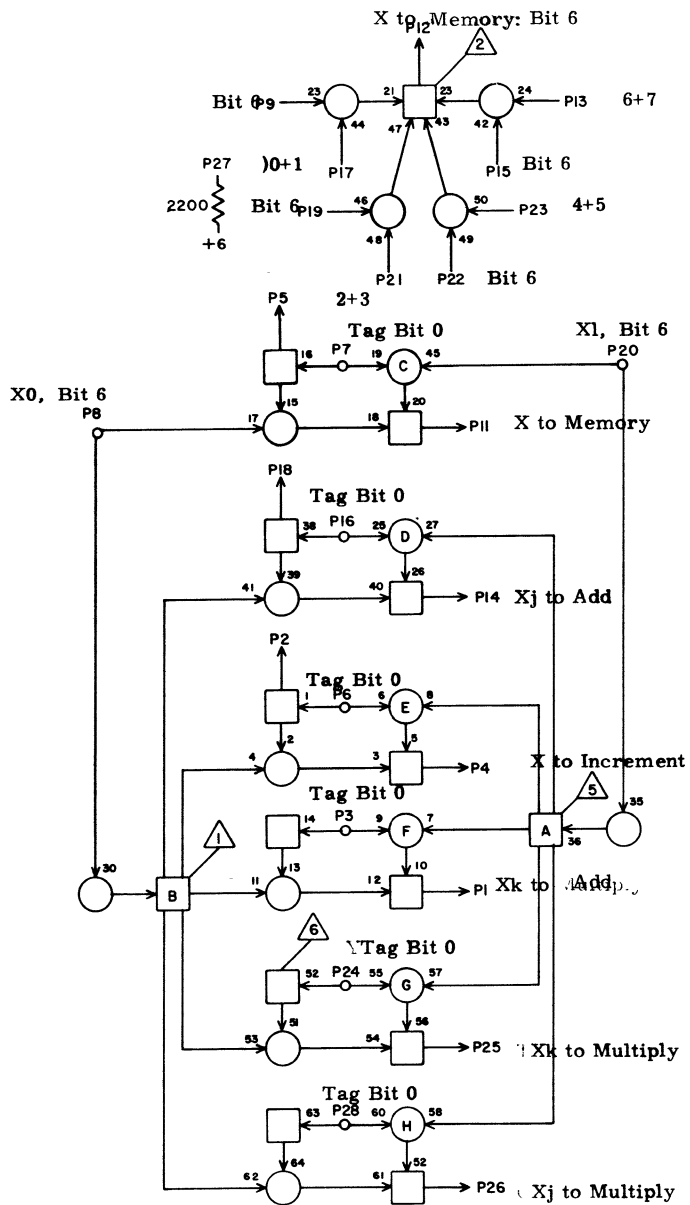
RF		7B 5	
JACK	PIN	PIN	LG
1	M40	22	53
2	C 5	28	9
3	C 5	5	7
4	G 5	9	23
5	C 5	3	7
6	F 8	22	21
7	F 1	9	19
8	C13	11	13
9	B 5	11	3
10			
11	B 5	9	3
12	F27	19	27
13	C10	22	9
14	L 5	9	39
15	O 5	11	49
16	F 2	22	19
17	B10	9	9
18	C 5	24	7
19	G 5	11	23
20	D16	11	15
21	B10	22	9
22	L 5	11	39
23	C10	9	9
24	C 5	18	5
25	G30	22	31
26	I30	22	37
27			
28	C 5	2	5

Exit Control: X Registers



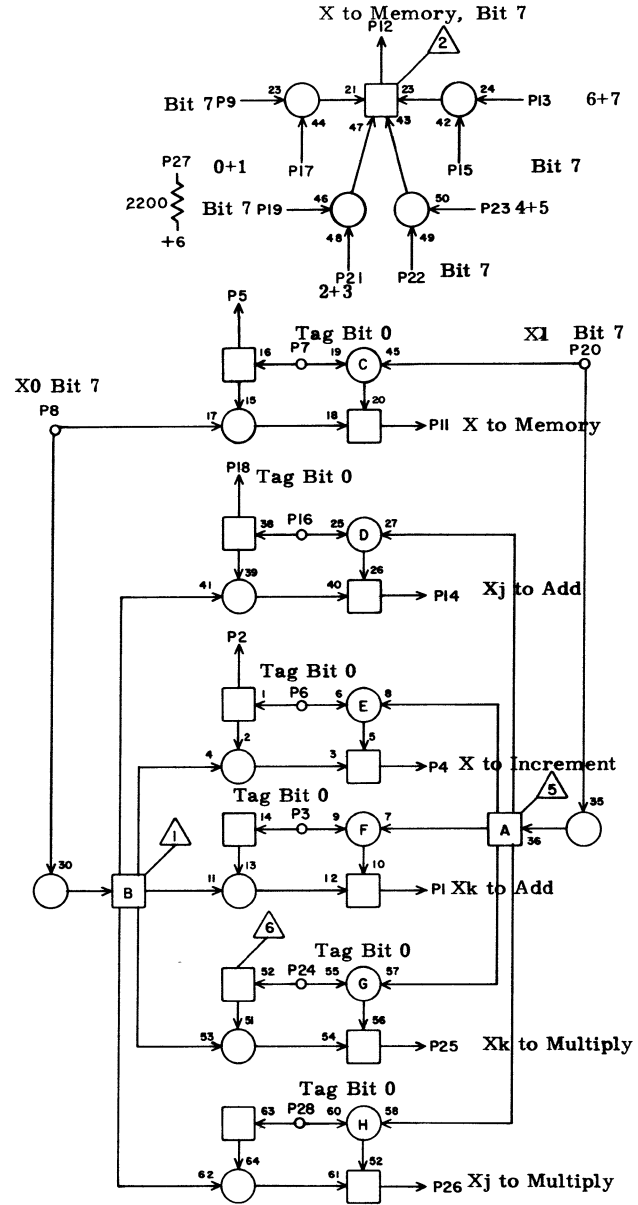
RF		7B 6	
JACK	PIN	PIN	LG
1	M40	24	53
2	C 6	28	9
3	C 6	5	7
4	G 6	9	23
5	C 6	3	7
6	F 8	20	21
7	F 1	11	19
8	C13	16	11
9	B 6	11	3
10			
11	B 6	9	3
12	F27	28	27
13	C10	20	9
14	L 6	9	39
15	O 6	11	49
16	F 2	20	19
17	B10	11	9
18	C 6	24	9
19	G 6	11	23
20	D16	16	15
21	B10	20	5
22	L 6	11	39
23	C10	11	9
24	C 6	18	5
25	G30	24	31
26	I30	24	37
27			
28	C 6	2	5

Exit Control: X Registers



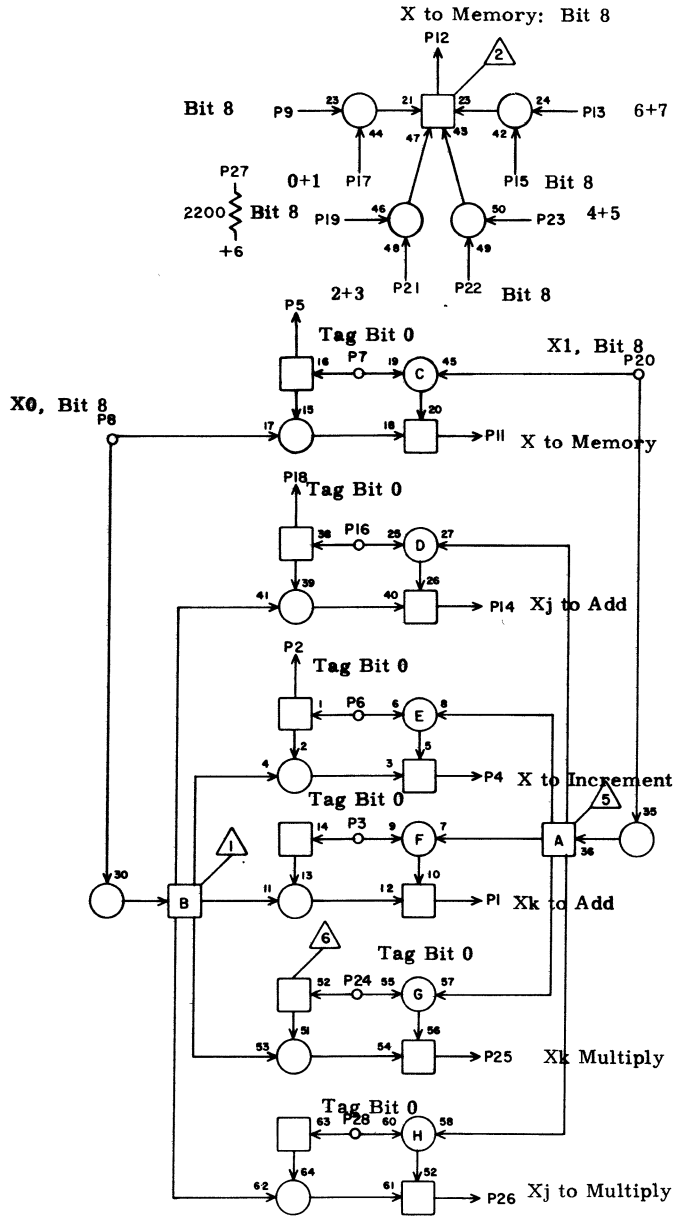
RF		7B 7	
1	M41	8	51
2	C 7	28	9
3	C 7	5	7
4	G 7	9	23
5	C 7	3	7
6	F 8	18	19
7	F 1	13	19
8	C13	26	11
9	B 7	11	3
10			
11	B 7	9	3
12	F28	7	27
13	C10	18	9
14	L 7	9	39
15	O 7	11	49
16	F 2	18	19
17	B10	13	5
18	C 7	24	9
19	G 7	11	23
20	D16	26	15
21	B10	18	5
22	L 7	11	39
23	C10	13	7
24	C 7	18	5
25	G31	8	31
26	I31	8	37
27			
28	C 7	2	5
	JACK	PIN	LG

Exit Control: X Registers



RF		7B 8	
1	M41	22	51
2	C 8	28	9
3	C 8	5	7
4	G 8	9	23
5	C 8	3	7
6	F 8	28	21
7	F 1	1	19
8	C13	27	11
9	B 8	11	3
10			
11	B 8	9	3
12	F28	19	27
13	C10	28	9
14	L 8	9	39
15	O 8	11	49
16	F 2	28	21
17	B10	1	5
18	C 8	24	7
19	G 8	11	23
20	D16	27	13
21	B10	28	5
22	L 8	11	39
23	C10	1	7
24	C 8	18	5
25	G31	22	31
26	I31	22	37
27			
28	C 8	2	5
	JACK	PIN	LG

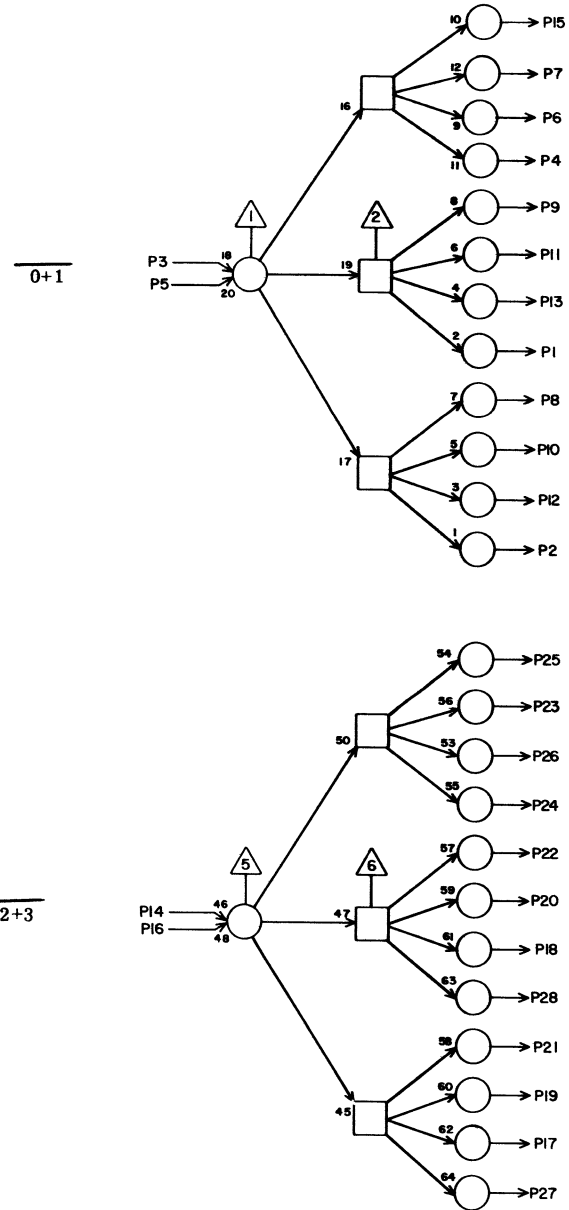
Exit Control: X Registers



RF		7B 9	
1	M41	24	51
2	C 9	28	9
3	C 9	5	7
4	G 9	9	23
5	C 9	3	7
6	F 8	21	21
7	F 1	8	21
8	C14	11	11
9	B 9	11	3
10			
11	B 9	9	3
12	F28	28	27
13	C10	21	9
14	L 9	9	39
15	O 9	11	49
16	F 2	21	21
17	B10	8	5
18	C 9	24	7
19	G 9	11	23
20	D17	11	15
21	B10	21	3
22	L 9	11	39
23	C10	8	5
24	C 9	18	5
25	G31	24	31
26	I31	24	37
27			
28	C 9	2	5

JACK PIN LG

Exit Control Xt oMemory

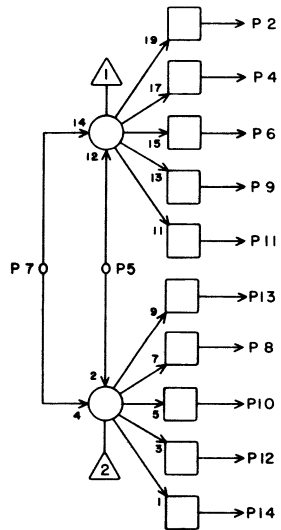


TC

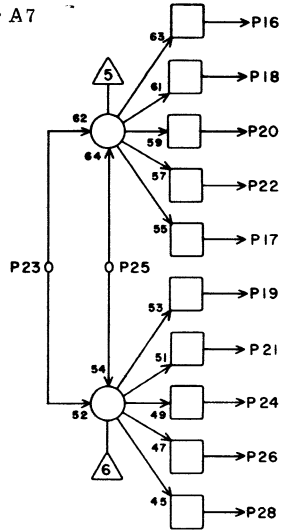
TC		7B10	
1	B 8	17	5
2	C 3	17	11
3	K 9	14	37
4	B 4	17	9
5	GND	X	2
6	B 3	17	11
7	B 2	17	11
8	B 9	17	5
9	B 5	17	9
10	C 1	17	13
11	B 6	17	9
12	C 2	17	11
13	B 7	17	5
14	K 9	5	37
15	B 1	17	13
16	GND	X	2
17	C 2	21	11
18	B 7	21	5
19	C 1	21	13
20	B 6	21	5
21	B 9	21	3
22	B 5	21	9
23	B 2	21	11
24	B 4	21	9
25	B 1	21	13
26	B 3	21	11
27	C 3	21	11
28	B 8	21	5

JACK PIN LG

Clear Register A 6



Clear Register A7

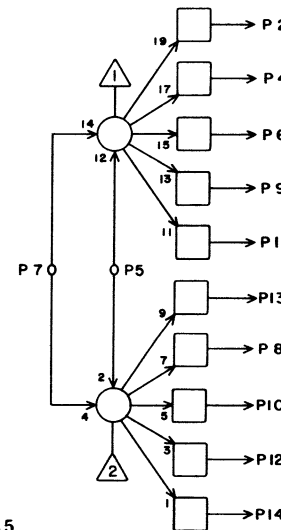


HC 7B 11

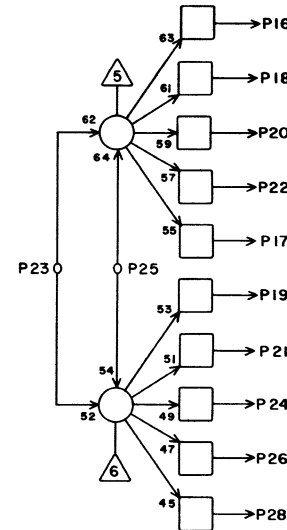
1			
2	A 7	5	9
3			
4	A 7	18	9
5	D20	24	15
6	A 8	5	9
7	I16	20	33
8			
9	A 8	18	9
10			
11	A 9	5	7
12			
13	A 9	18	7
14			
15			
16	A10	5	9
17	A12	5	9
18	A10	18	9
19	A12	18	9
20	A11	5	9
21			
22	A11	18	9
23	I16	22	31
24			
25	D21	24	15
26			
27			
28			

JACK PIN LG

Clear Register A4



Clear Register A5



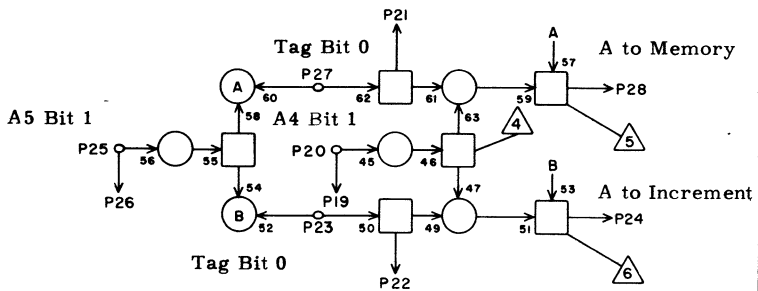
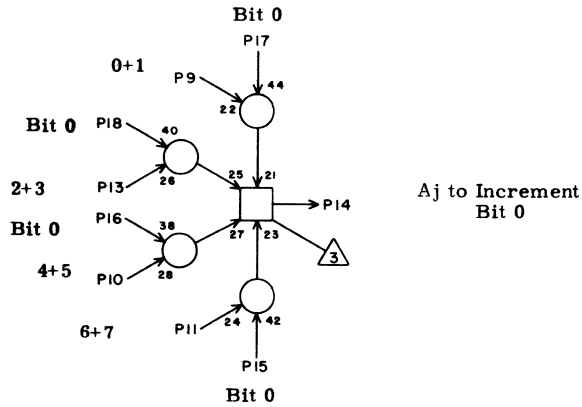
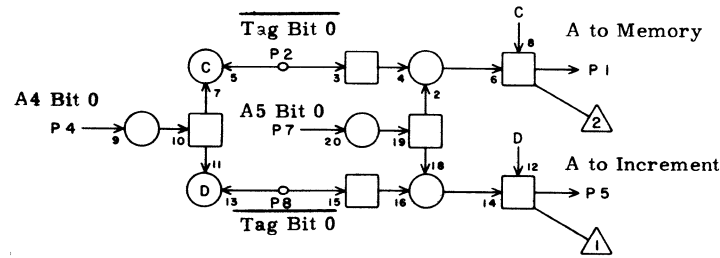
HC 7B 12

1			
2	A 1	5	15
3			
4	A 1	18	13
5	C24	24	15
6	A 2	5	13
7	I16	16	31
8			
9	A 2	18	13
10			
11	A 3	5	13
12			
13	A 3	18	13
14			
15			
16	A 4	5	11
17	A 6	5	11
18	A 4	18	11
19	A 6	18	11
20	A 5	5	11
21			
22	A 5	18	11
23	I16	18	31
24			
25	C25	24	15
26			
27			
28			

JACK PIN LG

Exit Control A Registers

RH **7B13**

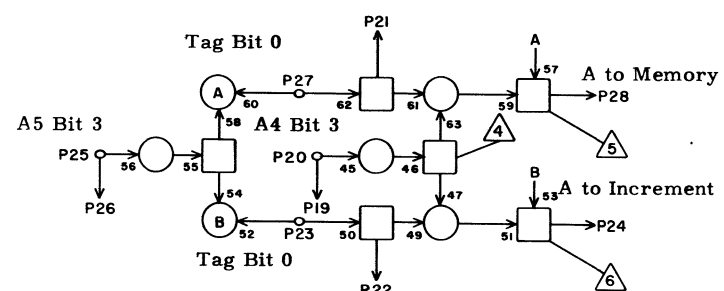
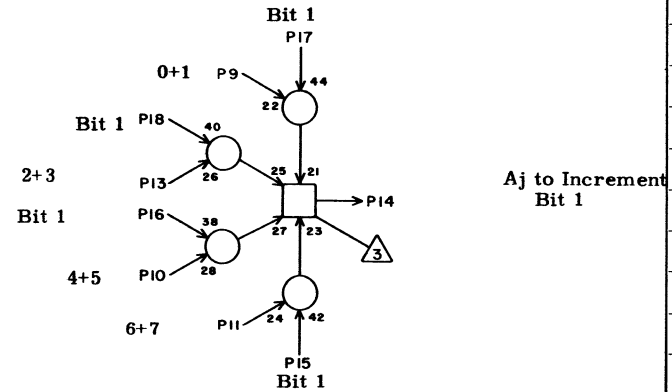
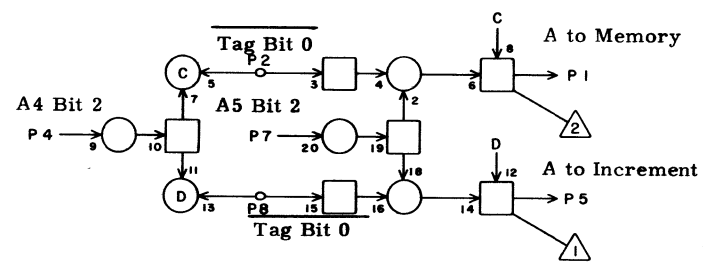


1	A13	16	5
2	B13	21	5
3			
4	A 1	11	15
5	B13	16	5
6			
7	A 4	11	13
8	B13	22	5
9	C26	2	17
10	C32	2	21
11	C32	16	21
12			
13	C26	16	17
14	K27	8	37
15	B24	5	13
16	B13	5	5
17	A13	5	9
18	A23	5	15
19			
20	A 1	7	15
21	B13	2	5
22	B13	8	5
23	A29	18	21
24	B14	16	5
25	A 4	7	13
26			
27	A29	13	19
28	A14	16	9

JACK PIN LG

Exit Control A Registers

RH **7B14**

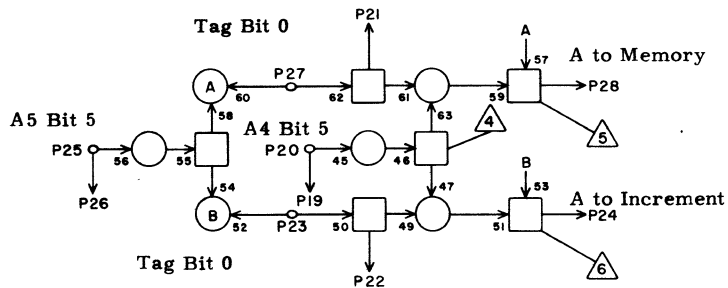
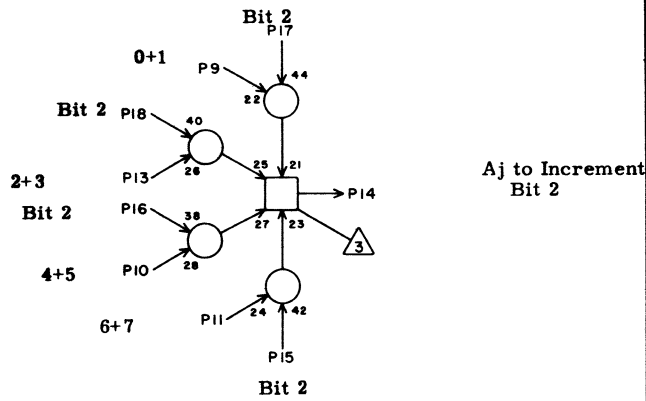
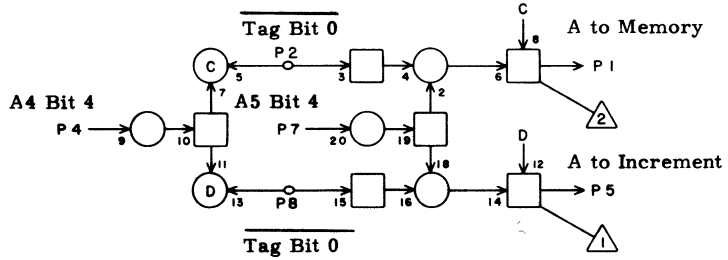


1	A15	16	5
2	B14	21	5
3			
4	A 1	6	15
5	B15	16	5
6			
7	A 4	6	15
8	B14	22	5
9	C26	4	15
10	C32	4	21
11	C32	18	21
12			
13	C26	18	15
14	K27	22	39
15	B24	24	13
16	B13	24	5
17	A13	24	5
18	A23	24	13
19			
20	A 1	16	15
21	B14	2	5
22	B14	8	5
23	A29	28	17
24	B16	16	5
25	A 4	16	15
26			
27	A29	1	19
28	A16	16	9

JACK PIN LG

Exit Control A Registers

RH 7B15

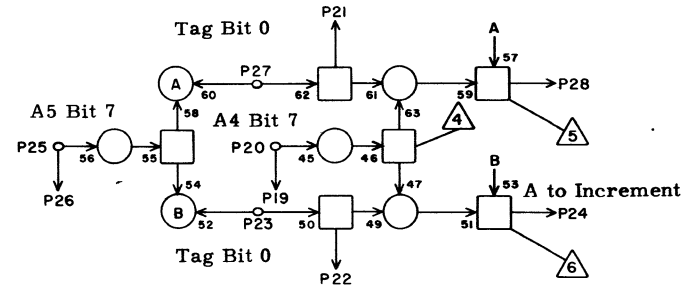
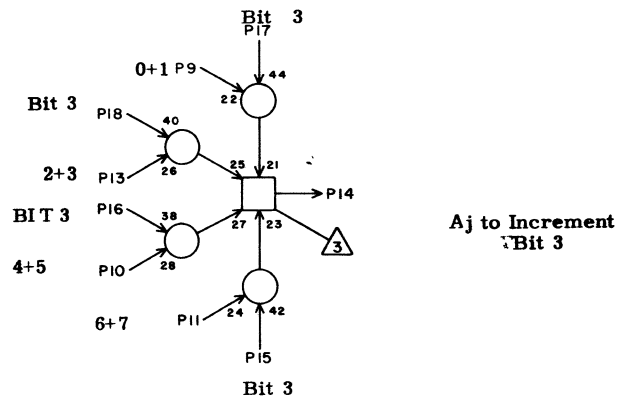
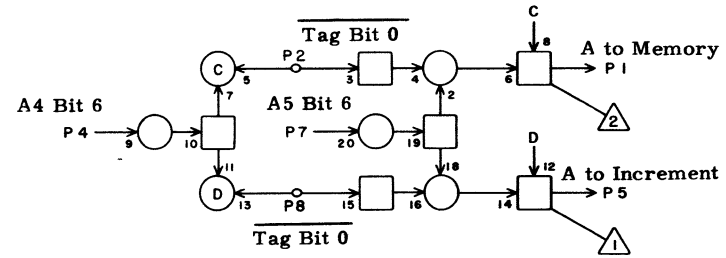


1	A17	16	5
2	B15	21	5
3			
4	A 1	26	15
5	B17	16	7
6			
7	A 4	26	15
8	B15	22	5
9	C26	6	15
10	C32	6	21
11	C32	20	21
12			
13	C26	20	15
14	K27	24	39
15	B27	5	15
16	B14	5	5
17	A14	5	9
18	A24	5	15
19			
20	A 1	27	15
21	B15	2	5
22	B15	8	5
23	A29	21	7
24	B18	16	9
25	A 4	27	15
26			
27	A29	8	19
28	A19	16	11

JACK PIN LG

Exit Control A Registers

RH 7B16

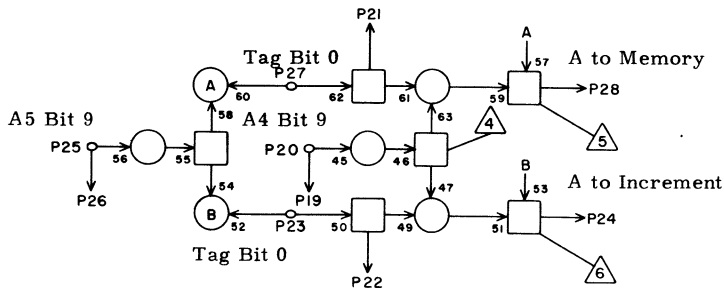
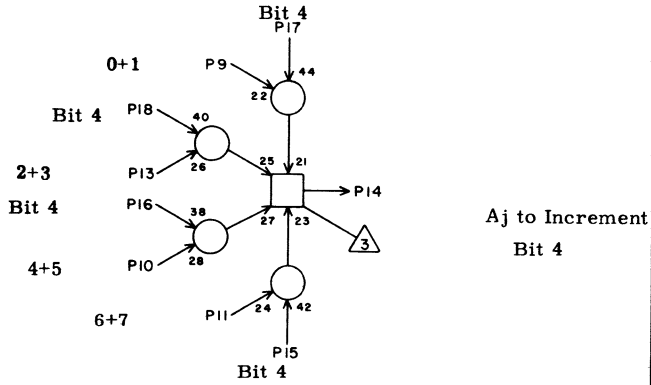
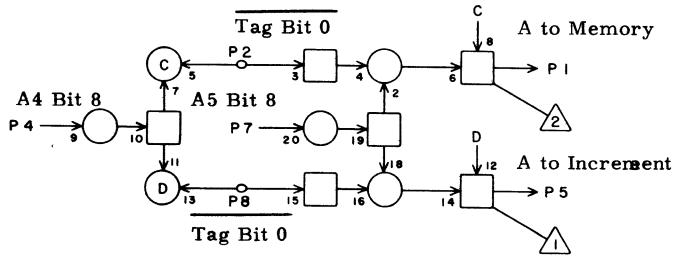


1	A20	16	9
2	B16	21	5
3			
4	A 2	11	17
5	B19	16	7
6			
7	A 5	11	15
8	B16	22	5
9	C26	9	15
10	C32	9	19
11	C32	22	19
12			
13	C26	22	15
14	K28	8	39
15	B27	24	13
16	B14	24	5
17	A14	24	7
18	A24	24	11
19			
20	A 2	7	17
21	B16	2	5
22	B16	8	5
23	A29	19	17
24	B22	16	9
25	A 5	7	15
26			
27	A29	10	15
28	A21	16	11

JACK PIN LG

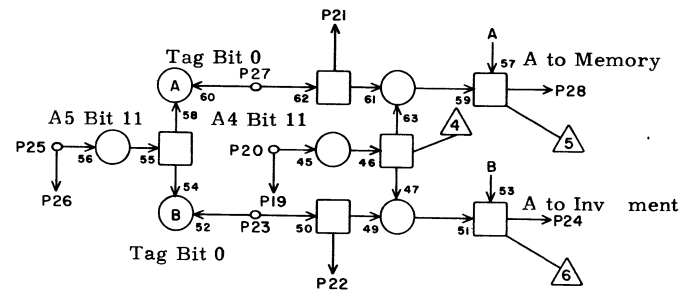
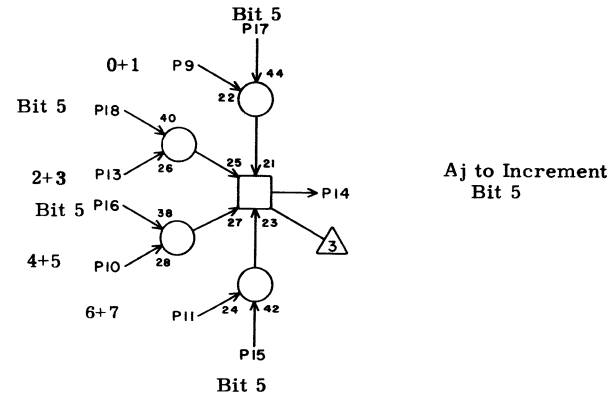
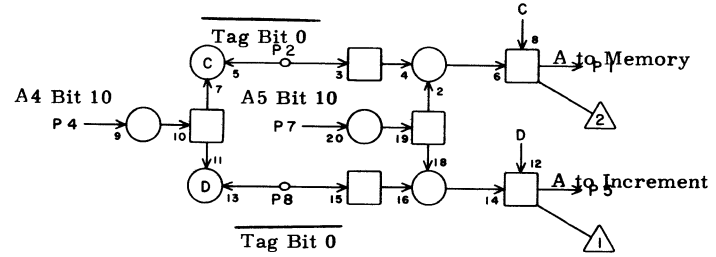


Exit Control A Registers



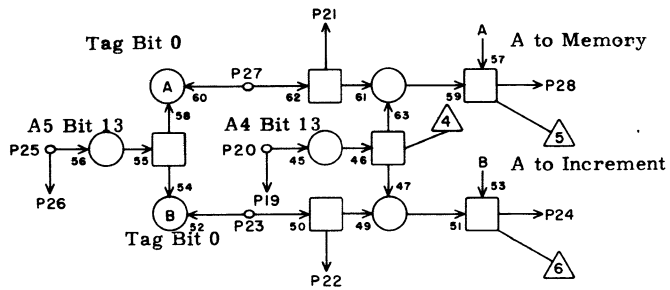
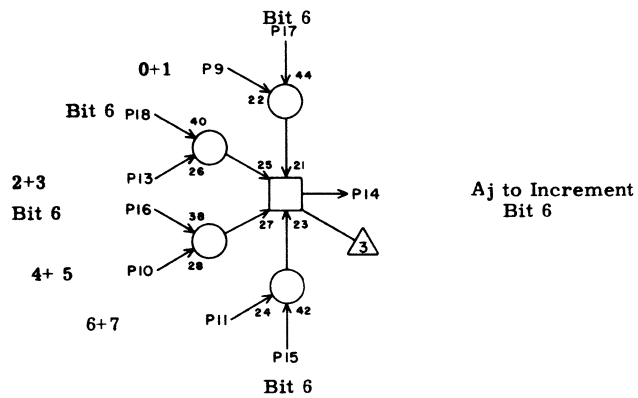
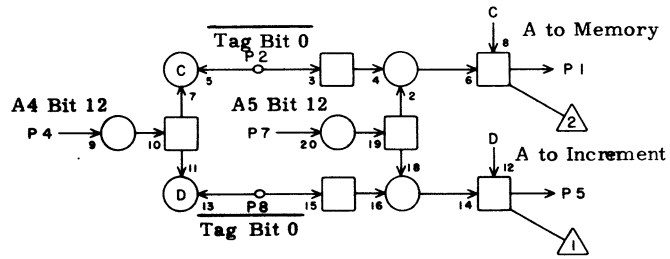
RH			
7B17			
JACK	PIN	LG	
1	A22	16	9
2	B17	21	5
3			
4	A 2	6	17
5	B23	16	9
6			
7	A 5	6	15
8	B17	22	5
9	C26	11	13
10	C32	11	19
11	C32	17	19
12			
13	C26	17	13
14	K28	22	39
15	B28	5	13
16	B15	5	7
17	A15	5	9
18	A25	5	13
19			
20	A 2	16	17
21	B17	2	5
22	B17	8	5
23	A29	17	15
24	B24	16	9
25	A 5	16	17
26			
27	A29	12	15
28	A23	16	11

Exit Control A Registers



RH			
7B18			
JACK	PIN	LG	
1	A24	16	11
2	B18	21	5
3			
4	A 2	26	17
5	B27	16	11
6			
7	A 5	26	17
8	B18	22	5
9	C26	13	11
10	C32	13	19
11	C32	19	19
12			
13	C26	19	11
14	K28	24	39
15	B28	24	13
16	B15	24	9
17	A15	24	7
18	A25	24	11
19			
20	A 2	27	17
21	B18	2	5
22	B18	8	5
23	A29	27	15
24	B28	16	13
25	A 5	27	17
26			
27	A29	2	15
28	A25	16	11

Exit Control A Registers

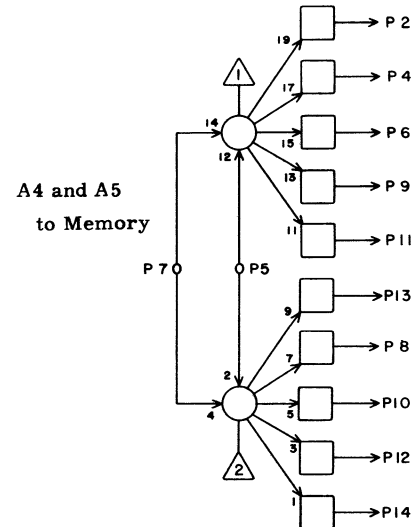


RH 7 B19

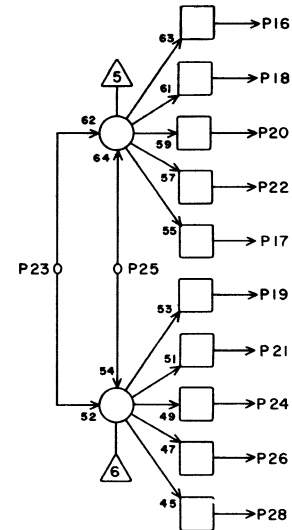
1	A26	16	11
2	B19	21	5
3			
4	A 3	11	17
5	B29	16	13
6			
7	A 6	11	15
8	B19	22	5
9	C26	8	11
10	C32	8	15
11	C32	21	15
12			
13	C26	21	11
14	K29	8	39
15	B29	5	13
16	B16	5	7
17	A16	5	11
18	A26	5	13
19			
20	A 3	7	19
21	B19	2	5
22	B19	8	5
23	B21	25	5
24	B30	16	13
25	A 6	7	15
26			
27	B21	15	5
28	A27	16	13

JACK PIN LG

Exit Control



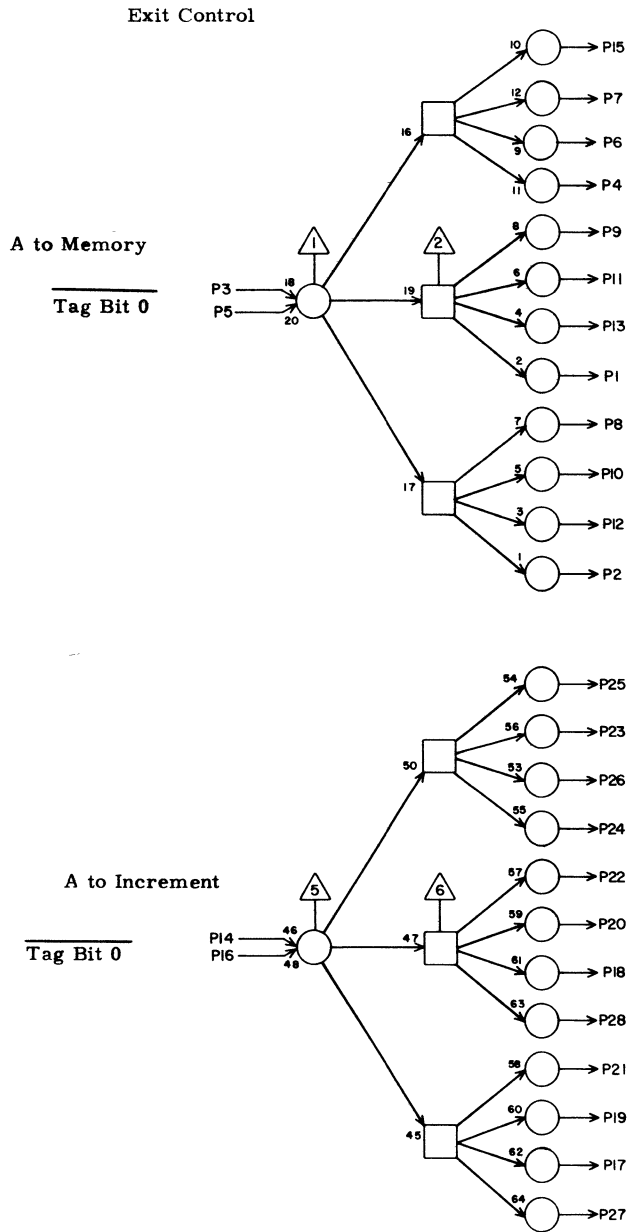
A6 and A7 to Memory



HC 7 B 20

1			
2	A13	10	11
3			
4	A14	10	9
5	K15	16	39
6	A15	10	11
7	gnd		2
8	A20	10	9
9	A16	10	11
10	A21	10	9
11	A17	10	9
12	A22	10	9
13	A19	10	9
14	A23	10	11
15			
16	A13	11	11
17	A17	11	9
18	A14	11	11
19	A19	11	9
20	A15	11	11
21	A20	11	9
22	A16	11	11
23	gnd		2
24	A21	11	9
25	K15	15	39
26	A22	11	9
27			
28	A23	11	9

JACK PIN LG

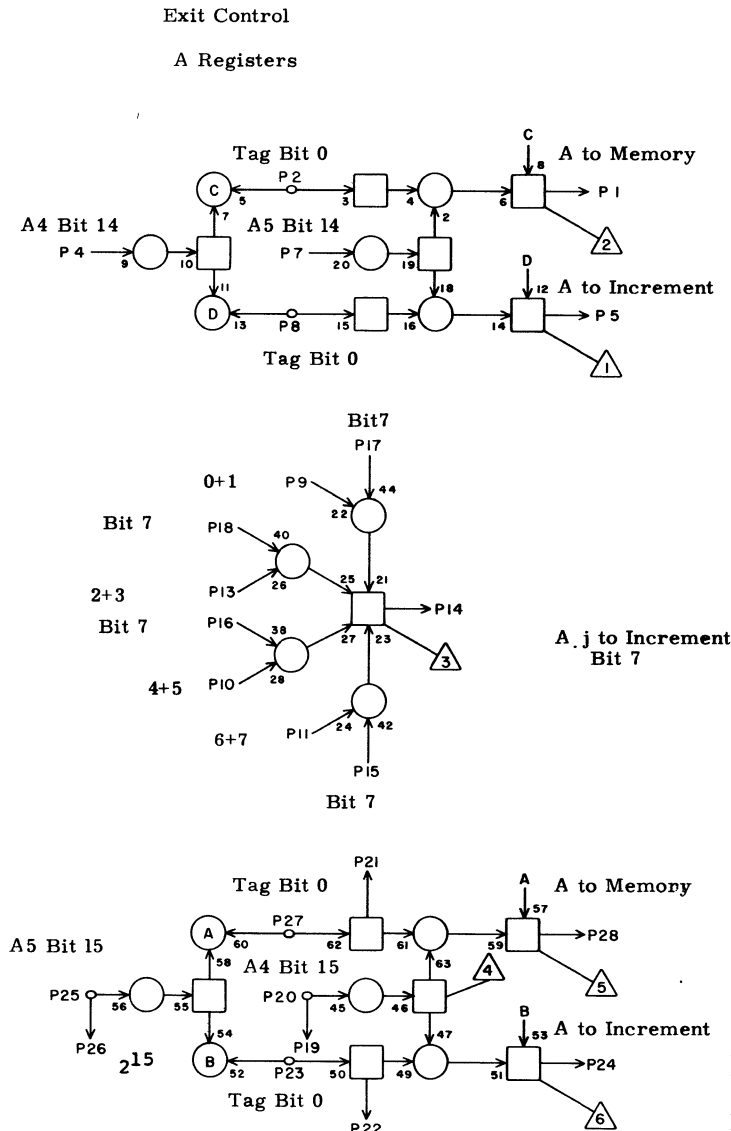


TC 7B21

1	B30	27	11
2	B34	27	15
3	K25	24	39
4	B24	27	9
5	GND	X	2
6	B23	27	5
7	B22	27	7
8	B31	27	13
9	B27	27	11
10	B32	27	13
11	B28	27	11
12	B33	27	15
13	B29	27	11
14	C33	21	15
15	B19	27	5
16	GND	X	2
17	B33	23	15
18	B29	23	11
19	B32	23	13
20	B28	23	11
21	B31	23	13
22	B27	23	11
23	B22	23	3
24	B24	23	9
25	B19	23	5
26	B23	23	5
27	B34	23	15
28	B30	23	11

JACK PIN LG

63017300 Rev. D



RH 7B22

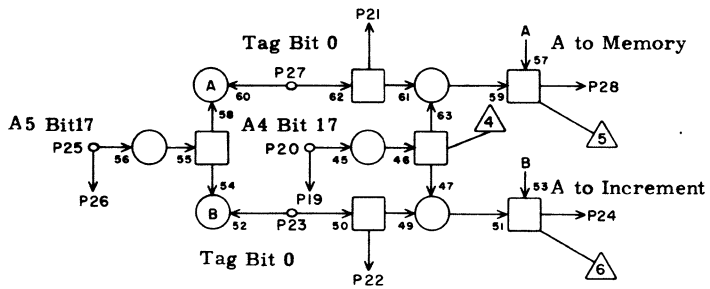
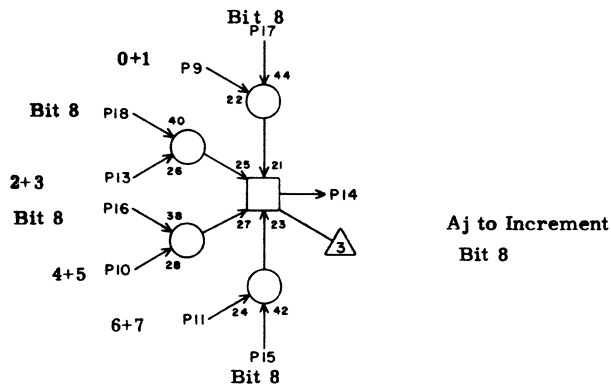
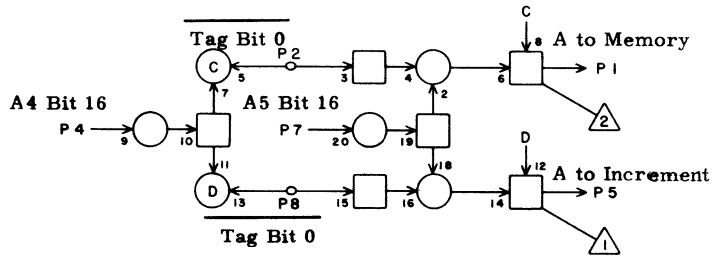
1	A28	16	9
2	B22	21	5
3			
4	A 3	6	21
5	B31	16	11
6			
7	A 6	6	19
8	B22	22	5
9	C26	10	9
10	C32	10	13
11	C32	24	13
12			
13	C26	24	9
14	K29	22	39
15	B29	24	11
16	B16	24	9
17	A16	24	11
18	A26	24	11
19			
20	A 3	16	21
21	B22	2	5
22	B22	8	5
23	B21	23	5
24	B32	16	13
25	A 6	16	19
26			
27	B21	7	5
28	A31	16	13

JACK PIN LG

63017300 Rev. D

7B22

Exit Control A Registers



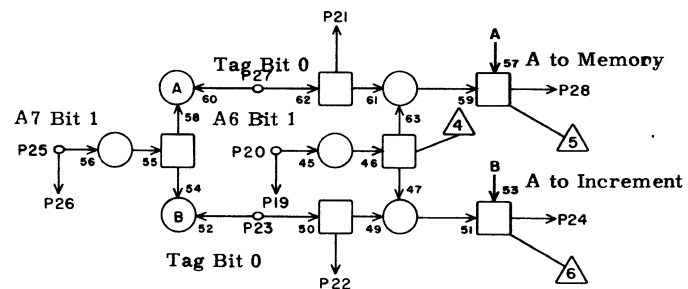
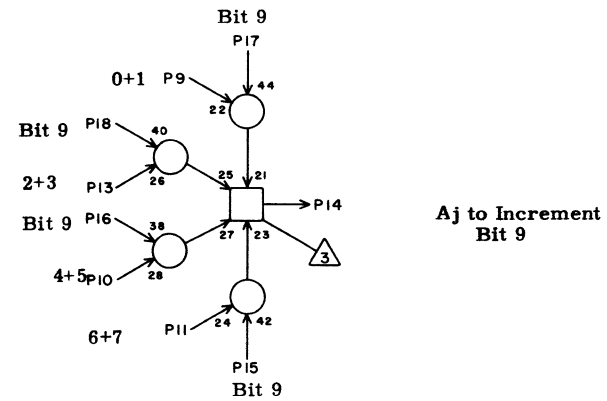
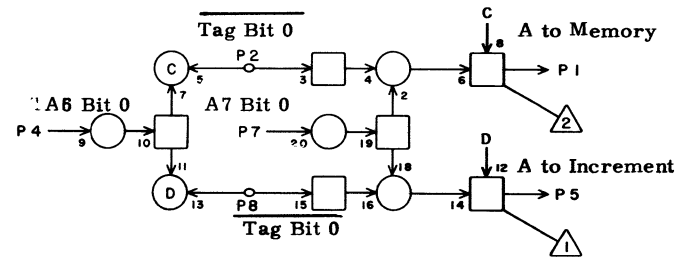
RH 7B23

1	A32	16	13
2	B23	21	5
3			
4	A 3	26	23
5	B33	16	13
6			
7	A 6	26	19
8	B23	22	5
9	C26	12	9
10	C32	12	13
11	C32	26	13
12			
13	C26	26	9
14	K29	24	39
15	B30	5	9
16	B17	5	9
17	A17	5	11
18	A27	5	11
19			
20	A 3	27	23
21	B23	2	5
22	B23	8	5
23	B21	26	5
24	B34	16	13
25	A 6	27	19
26			
27	B21	6	5
28	A33	16	15

JACK PIN LG

63017300 Rev. D

Exit Control A Registers

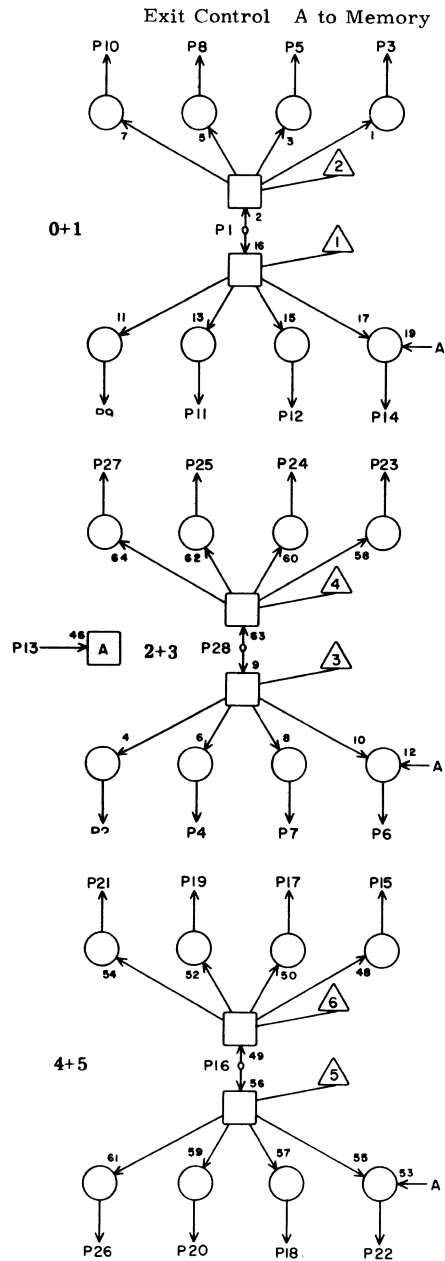


RH 7B24

1	A13	15	15
2	B24	21	5
3			
4	A 7	11	19
5	B13	15	13
6			
7	A10	11	17
8	B24	22	5
9	C26	14	9
10	C32	14	11
11	C32	28	11
12			
13	C26	28	9
14	K30	8	39
15	B30	24	9
16	B17	24	9
17	A17	24	11
18	A27	24	9
19			
20	A 7	7	19
21	B24	2	5
22	B24	8	5
23	B21	24	9
24	B14	15	13
25	A10	7	17
26			
27	B21	4	9
28	A14	15	13

JACK PIN LG

63017300 Rev. D



7B25

HF

7 B 25

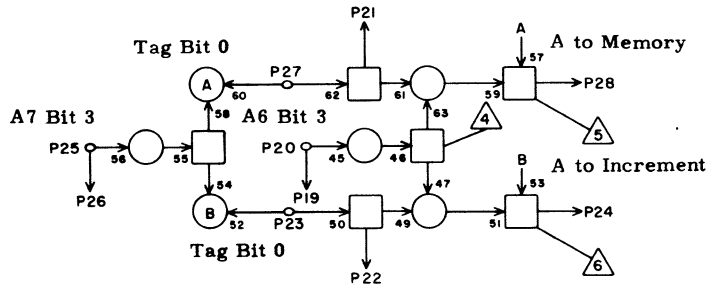
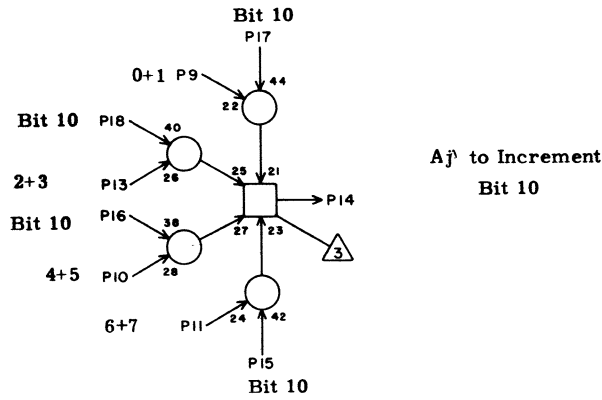
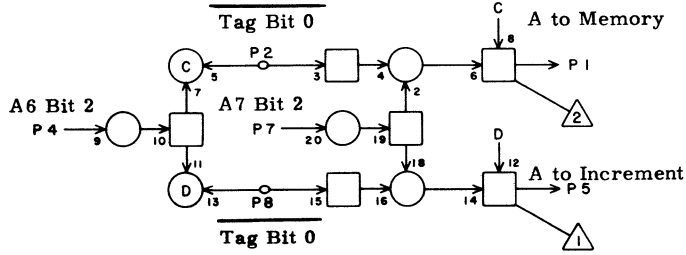
1	K15	8	39
2	A28	13	9
3	A27	9	9
4	A31	13	11
5	A26	9	9
6	A33	13	13
7	A32	13	11
8	A25	9	9
9	A28	9	9
10	A24	9	9
11	A31	9	11
12	A32	9	11
13	B37	5	15
14	A33	9	13
15	A27	10	9
16	K15	18	39
17	A26	10	9
18	A32	10	11
19	A25	10	9
20	A31	10	11
21	A24	10	9
22	A33	10	13
23	A27	13	9
24	A26	13	9
25	A25	13	9
26	A28	10	9
27	A24	13	9
28	K15	7	39

JACK PIN LG

63017300 Rev. D

Exit Control

A Registers



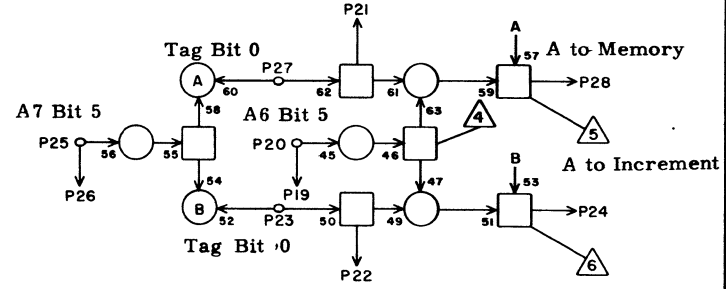
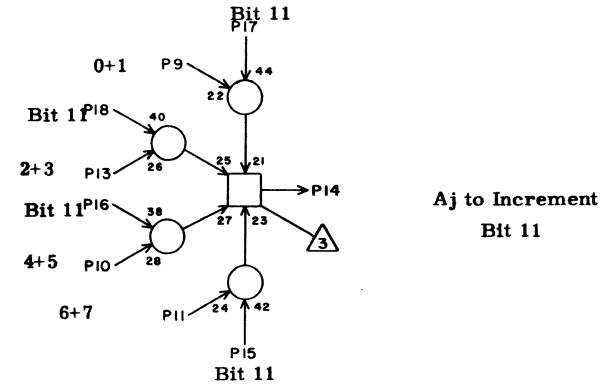
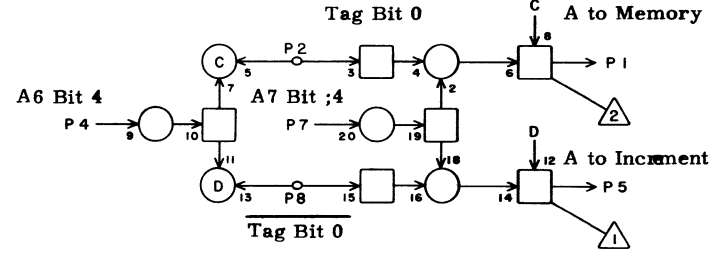
RH 7B27

1	A15	15	
2	B27	21	5
3			
4	A 7	6	21
5	B15	15	15
6			
7	A10	6	19
8	B27	22	5
9	C11	27	19
10	C33	10	11
11	C33	27	11
12			
13	C11	21	19
14	K30	22	39
15	B31	5	9
16	B18	5	11
17	A19	5	13
18	A28	5	9
19			
20	A 7	16	21
21	B27	2	5
22	B27	8	5
23	B21	22	11
24	B16	15	13
25	A10	16	19
26			
27	B21	9	11
28	A16	15	13

JACK PIN LG

Exit Control  
A Registers

RH 7B28

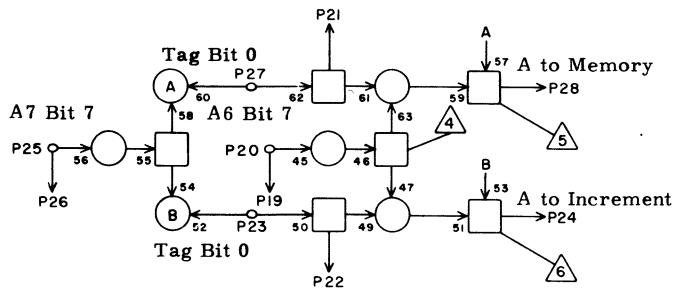
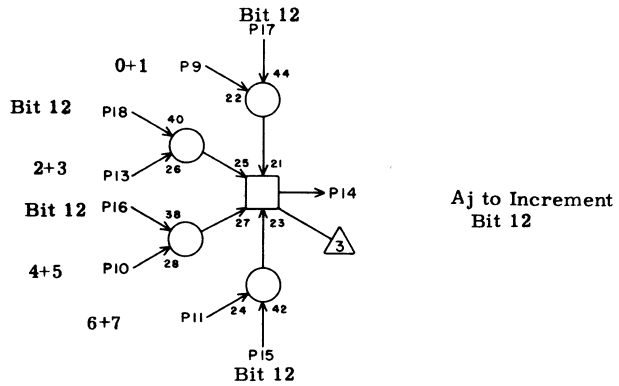
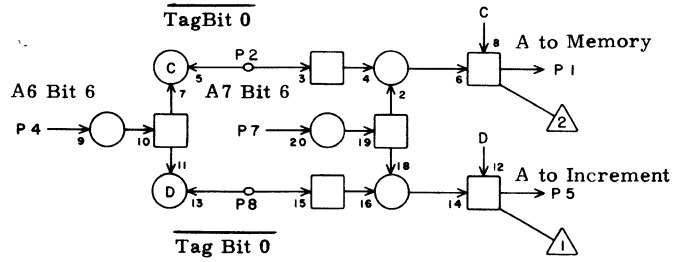


1	A17	15	13
2	B28	21	5
3			
4	A 7	26	23
5	B17	15	13
6			
7	A10	26	21
8	B28	22	5
9	C11	25	21
10	C33	8	9
11	C33	25	9
12			
13	C11	19	19
14	K30	24	39
15	B31	24	9
16	B18	24	13
17	A19	24	13
18	A28	24	5
19			
20	A 7	27	23
21	B28	2	5
22	B28	8	5
23	B21	20	11
24	B18	15	13
25	A10	27	21
26			
27	B21	11	11
28	A19	15	13

JACK PIN LG

Exit Control A Registers

RH 7B29

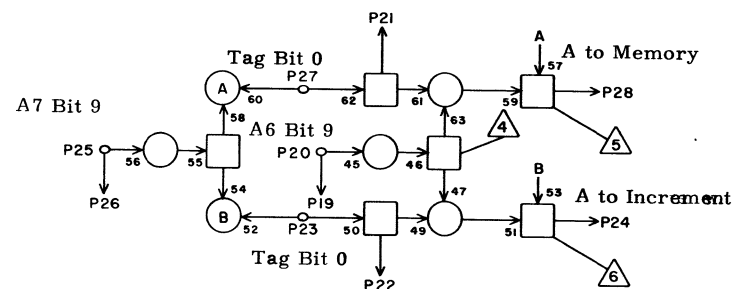
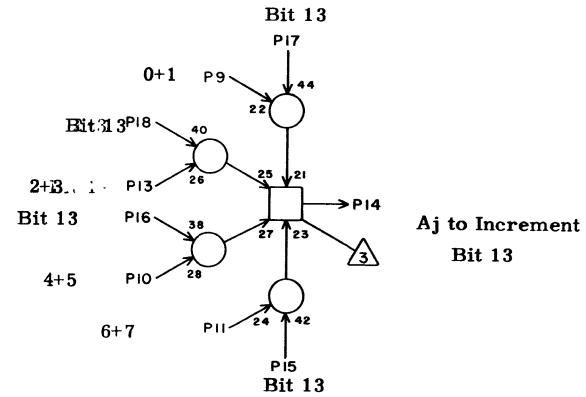
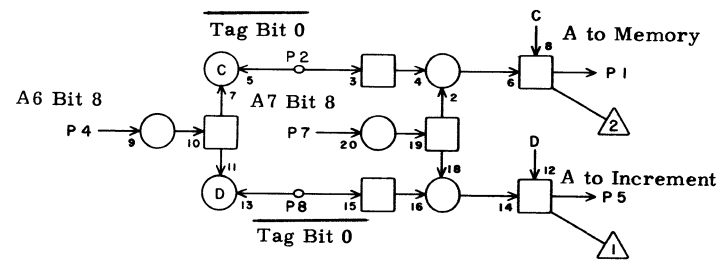


1	A20	15	11
2	B29	21	5
3			
4	A 8	11	23
5	B19	15	13
6			
7	A11	11	21
8	B29	22	5
9	C11	24	21
10	C33	5	9
11	C33	24	9
12			
13	C11	17	21
14	K31	8	39
15	B32	5	9
16	B19	5	13
17	A20	5	13
18	A31	5	9
19			
20	A 8	7	23
21	B29	2	5
22	B29	8	5
23	B21	18	11
24	B22	15	11
25	A11	7	21
26			
27	B21	13	11
28	A21	15	13

JACK PIN LG

Exit Control A Registers

RH 7B30

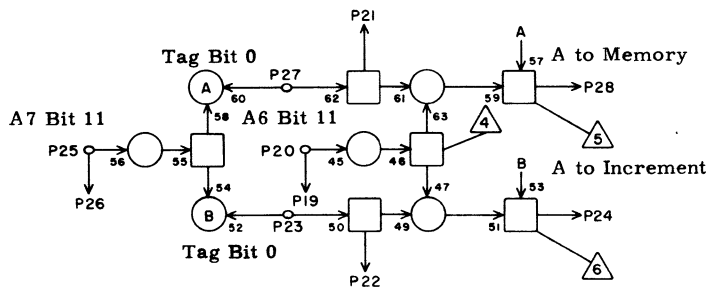
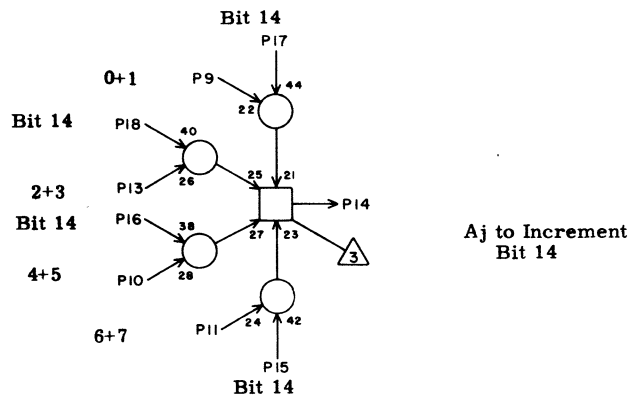
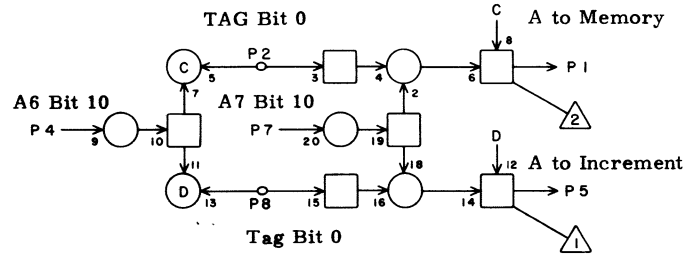


1	A22	15	11
2	B30	21	5
3			
4	A 8	6	23
5	B23	15	9
6			
7	A11	6	21
8	B30	22	5
9	C11	23	21
10	C33	3	9
11	C33	23	9
12			
13	C11	15	21
14	K31	22	39
15	B32	24	5
16	B19	24	13
17	A20	24	13
18	A31	24	9
19			
20	A 8	16	23
21	B30	2	5
22	B30	8	5
23	B21	28	11
24	B24	15	9
25	A11	16	23
26			
27	B21	1	11
28	A23	15	11

JACK PIN LG

Exit Control A Registers

RH 7B31

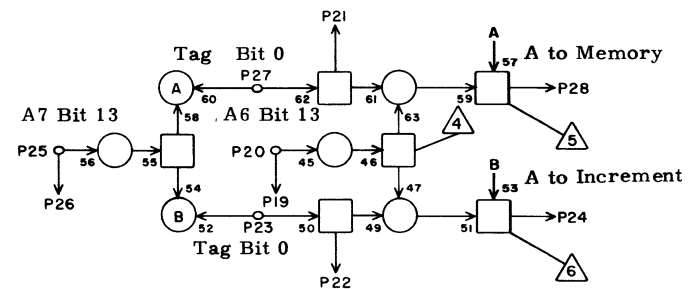
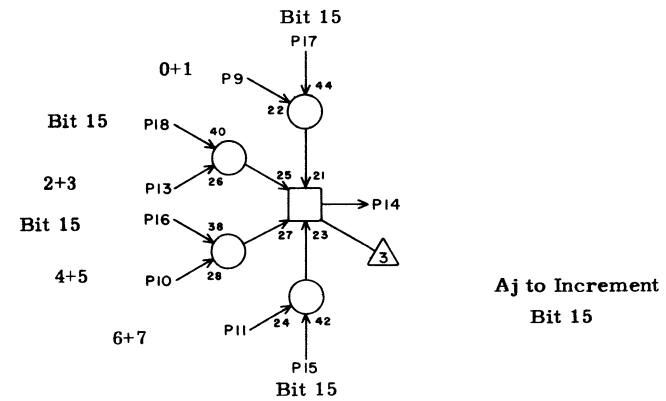
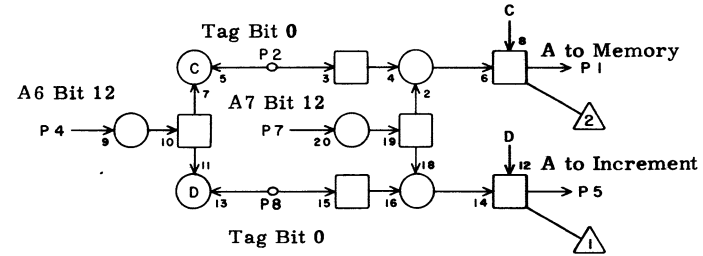


1	A24	15	11
2	B31	21	5
3			
4	A 8	26	23
5	B27	15	9
6			
7	A11	26	23
8	B31	22	5
9	C11	2	21
10	C33	9	9
11	C33	2	9
12			
13	C11	26	21
14	K31	24	39
15	B33	5	5
16	B22	5	11
17	A21	5	13
18	A32	5	9
19			
20	A 8	27	23
21	B31	2	5
22	B31	8	5
23	B21	21	13
24	B28	15	9
25	A11	27	23
26			
27	B21	8	13
28	A25	15	11

JACK PIN LG

Exit Control A Registers

RH 7B32



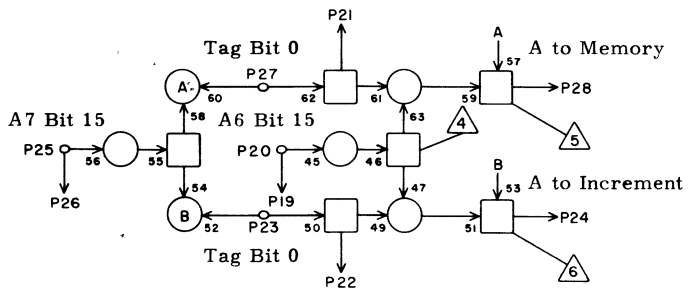
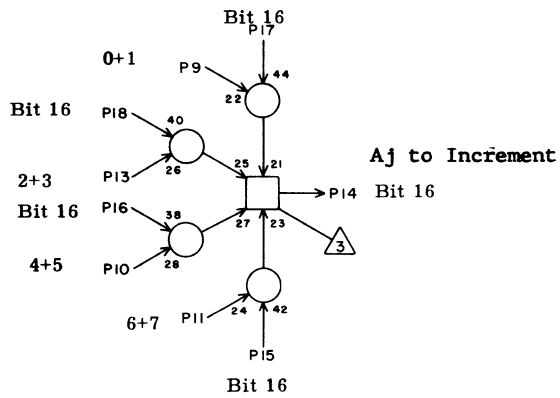
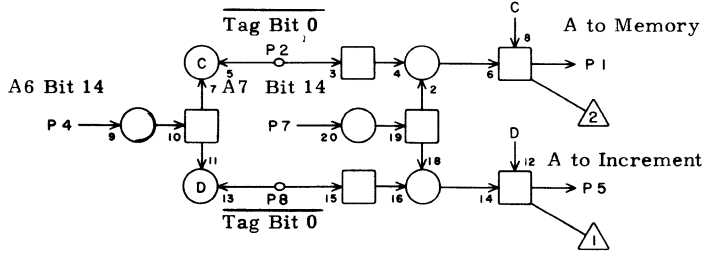
1	A26	15	11
2	B32	21	5
3			
4	A 9	11	23
5	B29	15	9
6			
7	A12	11	23
8	B32	22	5
9	C11	4	23
10	C33	11	9
11	C33	4	
12			
13	C11	20	23
14	K32	8	39
15	B33	24	3
16	B22	24	13
17	A21	24	15
18	A32	24	5
19			
20	A 9	7	23
21	B32	2	5
22	B32	8	5
23	B21	19	13
24	B30	15	5
25	A12	7	23
26			
27	B21	10	13
28	A27	15	11

JACK PIN LG



Exit Control  
A Registers

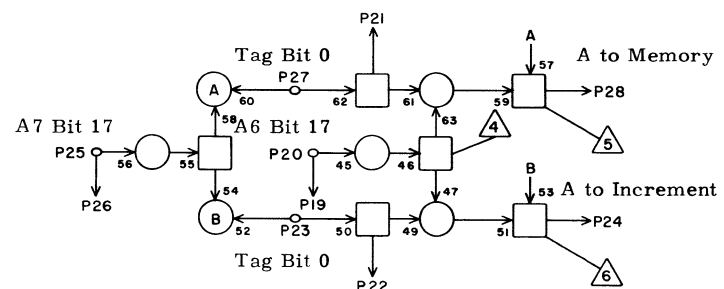
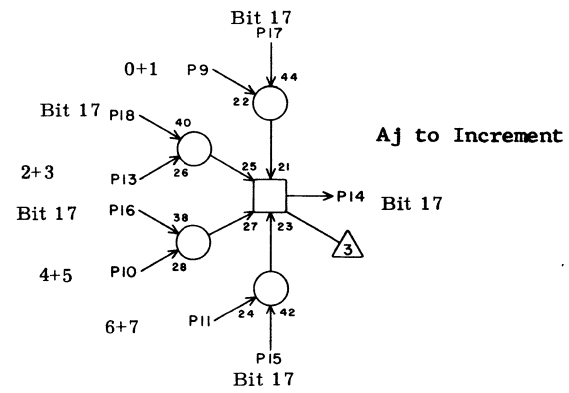
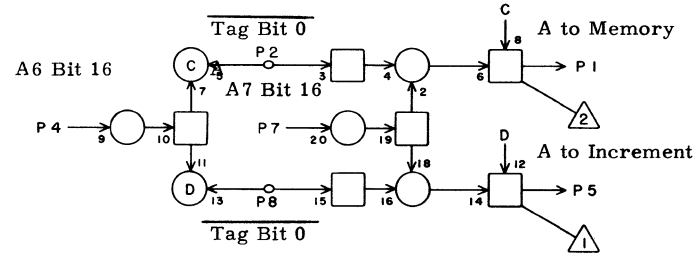
RH 7B33



	JACK	PIN	LG
1	A28	15	9
2	B33	21	5
3			
4	A 9	6	25
5	B31	15	5
6			
7	A12	6	23
8	B33	22	5
9	C11	7	25
10	C33	12	7
11	C33	7	5
12			
13	C11	18	25
14	K32	22	39
15	B34	5	5
16	B23	5	13
17	A22	5	15
18	A33	5	9
19			
20	A 9	16	25
21	B33	2	5
22	B33	8	5
23	B21	17	15
24	B32	15	3
25	A12	16	23
26			
27	B21	12	15
28	A31	15	9

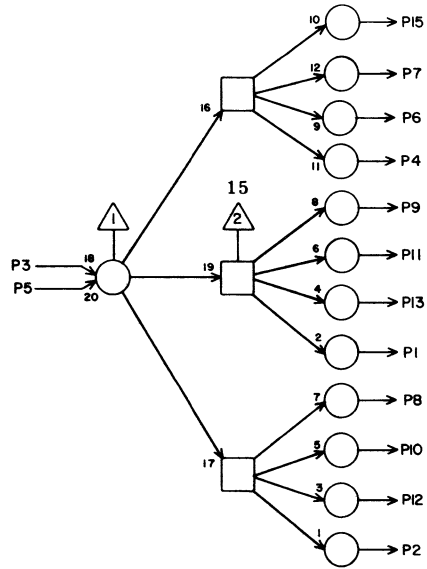
Exit Control A Registers

RH 7B34

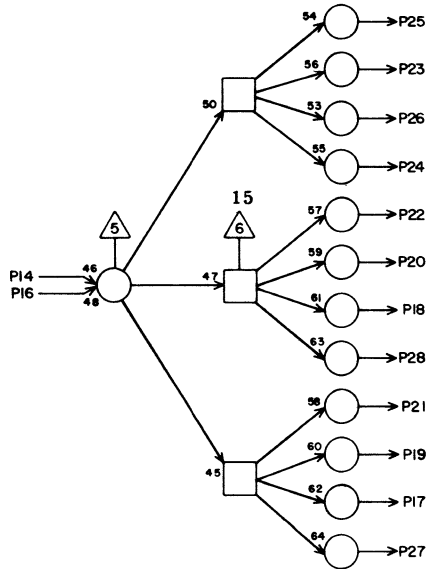


	JACK	PIN	LG
1	A32	15	9
2	B34	21	5
3			
4	A 9	26	25
5	B33	15	5
6			
7	A12	26	25
8	B34	22	5
9	C11	6	25
10	C33	14	7
11	C33	6	5
12			
13	C11	22	25
14	K32	24	39
15	B34	24	5
16	B23	24	13
17	A22	24	17
18	A33	24	9
19			
20	A 9	27	25
21	B34	2	5
22	B34	8	5
23	B21	27	15
24	B34	15	5
25	A12	27	25
26			
27	B21	2	15
28	A33	15	9

Clock



Clock



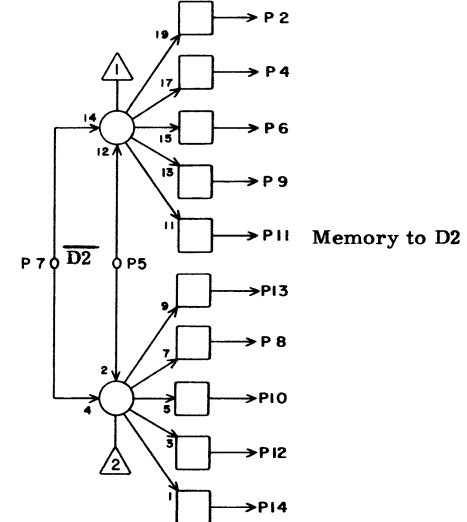
TC 7B35

1	B38	15	7
2	B42	15	11
3	I22	25	60
4	A40	15	9
5	GND	X	2
6	A39	15	9
7	A38	15	7
8	B39	15	7
9	A41	15	9
10	B40	15	9
11	A42	15	11
12	B41	15	9
13	B37	15	5
14	I22	27	60
15	A37	15	7
16	GND	X	2
17			
18			
19			
20	C42	15	11
21			
22	C41	15	9
23	C38	15	7
24	C40	15	9
25	C37	15	5
26	C39	15	9
27			
28			

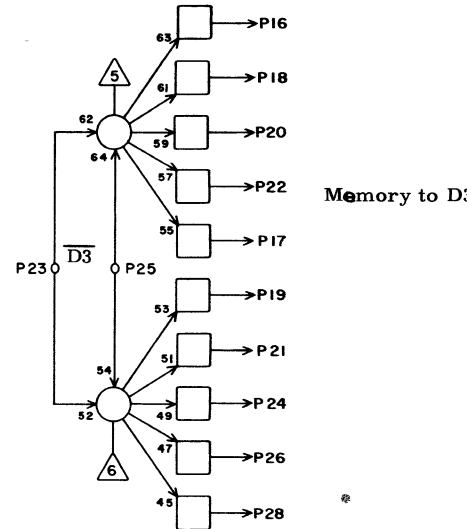
JACK PIN LG

63017300 Rev. D

Entry Control



Memory to D2



Memory to D3

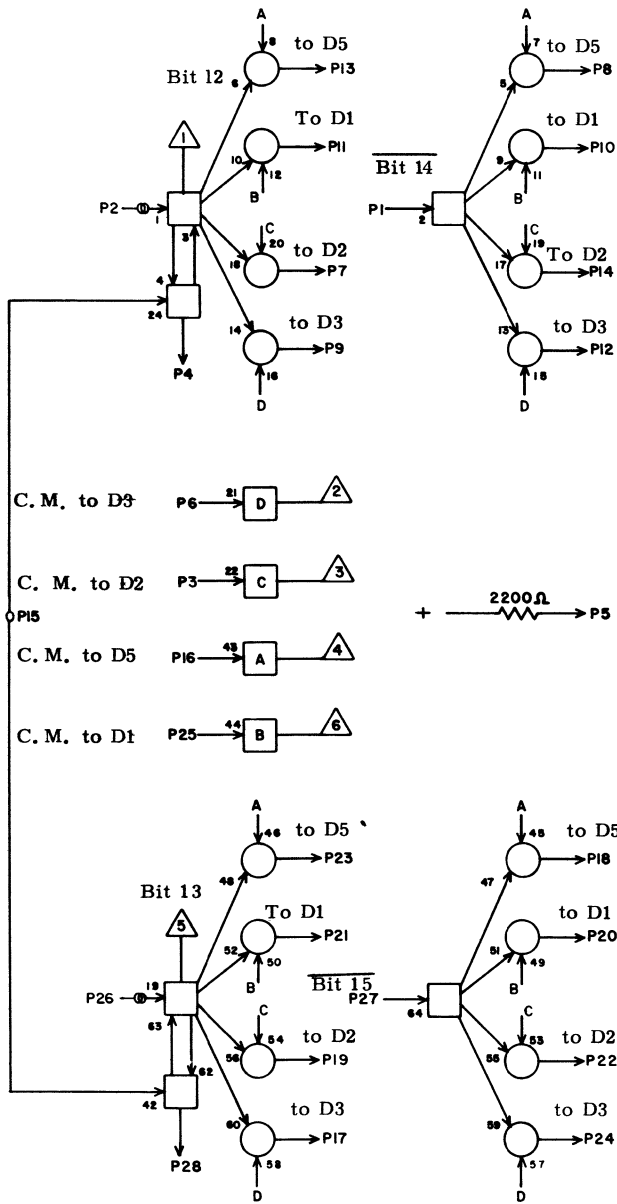
HC 7B 36

1			
2	A37	3	7
3			
4	A39	3	9
5	D24	28	19
6	A41	3	9
7	gnd		2
8	C37	3	7
9	B37	3	3
10	C39	3	9
11	B39	3	5
12	C41	3	9
13	B41	3	7
14			
15			
16	A37	6	9
17	B39	6	5
18	A39	6	9
19	B41	6	7
20	A41	6	9
21	C37	6	5
22	B37	6	5
23	gnd		2
24	C39	6	9
25	D25	28	17
26	C41	6	9
27			
28			

JACK PIN LG

63017300 Rev. D

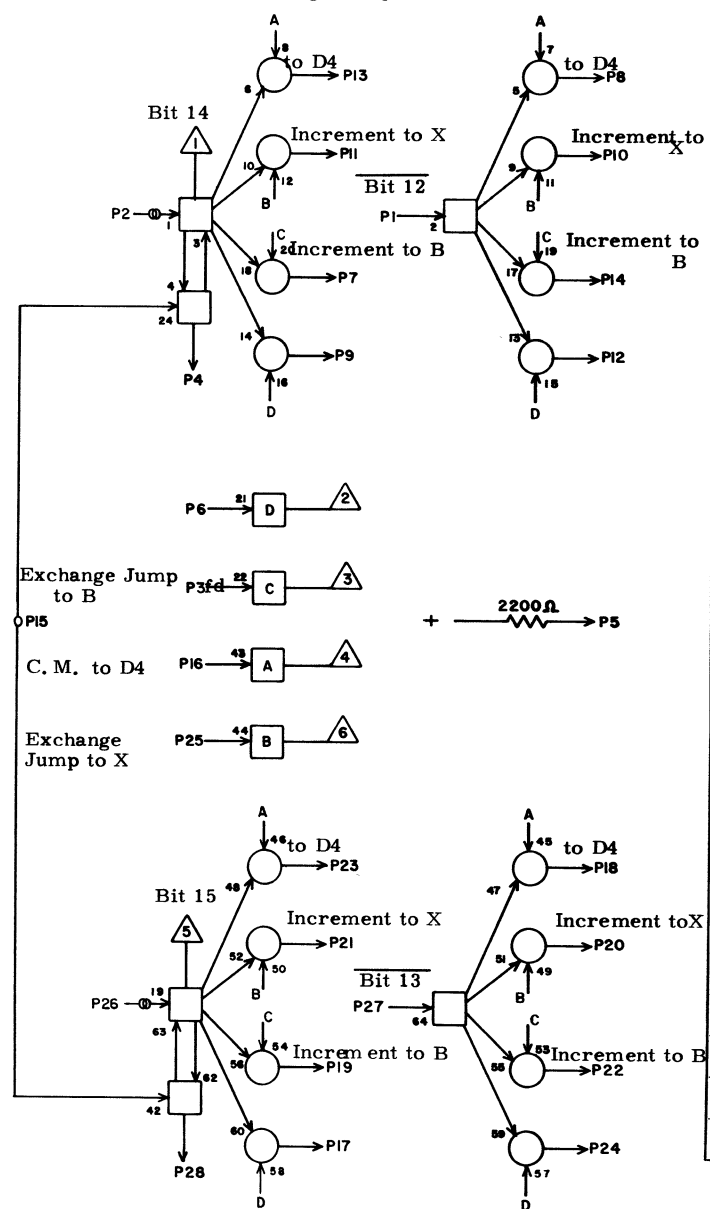
Entry Control:  
Trunk  
C. M. to D. & Exchange Jump



RA		7B37	
JACK	PIN	LG	
1	B38	4	3
2	W05	94	
3	B36	9	3
4	B38	1	3
5	B25	13	15
6	B36	22	5
7	E22	11	23
8	C22	1	17
9	F22	11	25
10	D22	1	19
11	D22	11	19
12	F22	1	25
13	C22	11	17
14	E22	1	23
15	B35	13	5
16	A36	9	9
17	F22	4	25
18	C22	18	17
19	E22	4	23
20	D22	18	19
21	D22	4	19
22	E22	18	21
23	C22	4	17
24	F22	18	25
25	A36	22	9
26	W05	95	
27	B38	28	3
28	B38	27	3

63017300 Rev. D

Entry Control  
C. M. to D & Exchange Jump

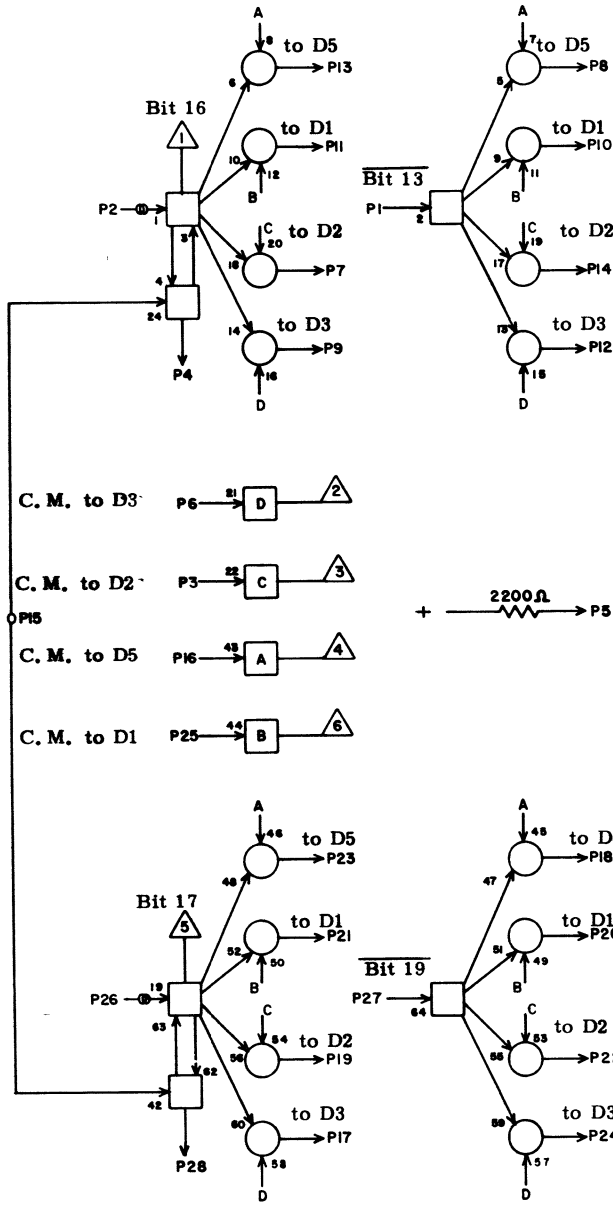


RA		7B38	
JACK	PIN	LG	
1	B37	4	3
2	W05	96	
3	A35	22	7
4	B37	1	3
5			
6			
7	N31	4	47
8	J22	11	37
9			
10	H21	4	31
11	H22	4	31
12			
13	J22	1	37
14	N30	4	7
15	B35	1	5
16	C36	9	7
17			
18	J22	4	35
19	N31	28	47
20	H21	28	30
21	H22	28	31
22	N30	28	47
23	J22	18	37
24			
25	A35	9	9
26	W06	900	
27	B37	28	3
28	B37	27	3

63017300 Rev. D

7B38

Entry Control  
C. M. to D & Exchange Jump

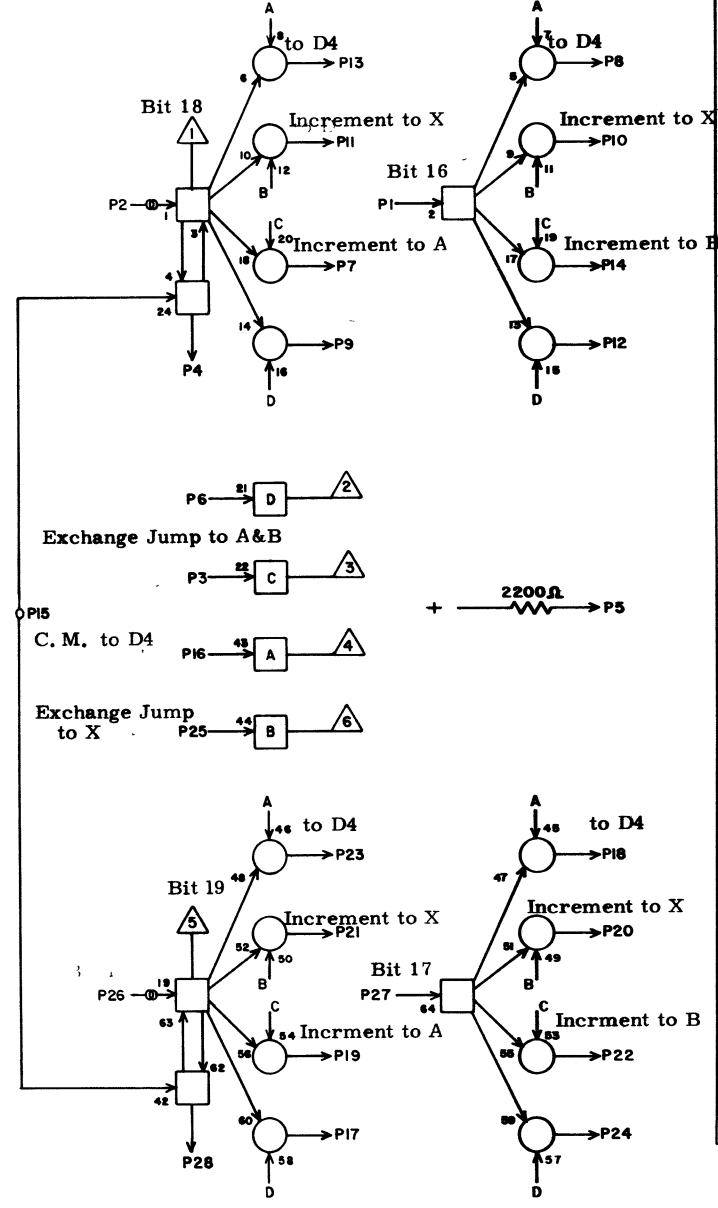


RA **7B39**

1	B40	4	3
2	W06	901	
3	B36	11	5
4	B40	1	5
5			
6	B36	17	5
7	E22	16	23
8	C23	11	21
9	F22	16	25
10	D23	11	21
11	D22	16	21
12	F23	11	23
13	C22	16	19
14	E23	11	21
15	B35	8	7
16	A36	11	7
17	F22	15	27
18	C23	4	21
19	E22	15	23
20	D23	4	21
21	D22	15	21
22	E23	4	21
23	C22	15	19
24	F23	4	23
25	A36	17	9
26	W06	902	
27	B40	28	3
28	B40	27	3

JACK PIN LG

Entry Control  
C. M. to D. & Exchange Jump

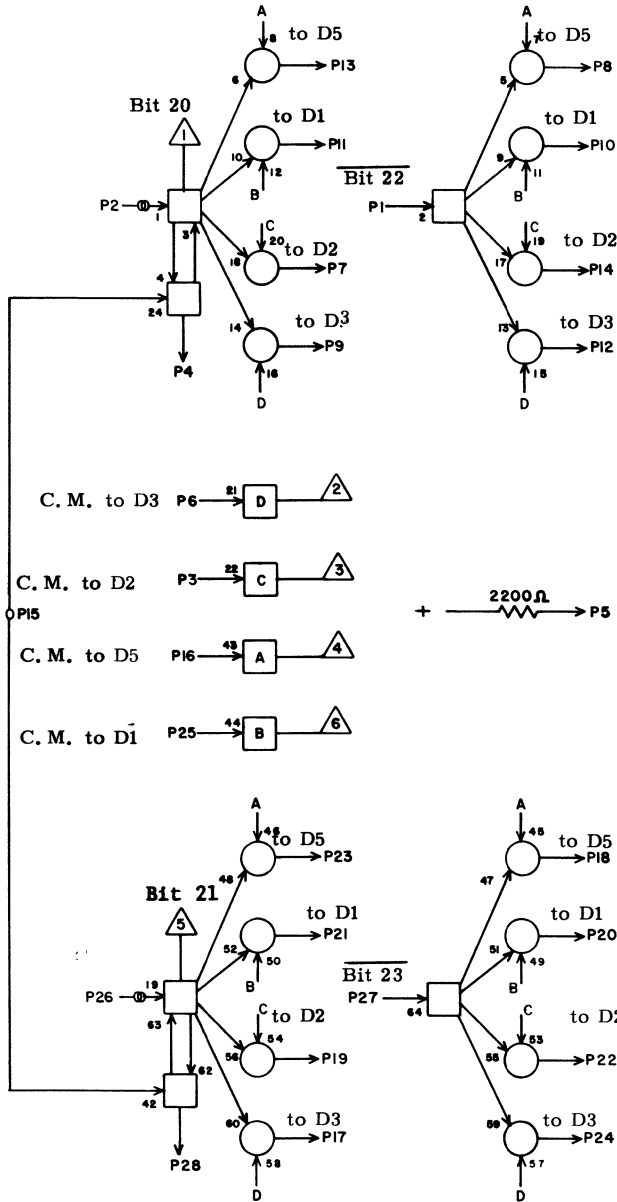


RA **7B40**

1	B39	4	5
2	W06	903	
3	A35	17	9
4	B39	1	3
5			
6			
7	C27	4	15
8	J22	16	35
9			
10	H23	4	31
11	J11	4	41
12			
13	J23	11	37
14	N32	4	45
15	B35	10	9
16	C36	11	9
17			
18	J22	15	37
19	C27	28	15
20	H23	28	29
21	J11	28	41
22	N32	28	45
23	J23	4	37
24			
25	A35	11	9
26	W06	904	
27	B39	28	3
28	B39	27	3

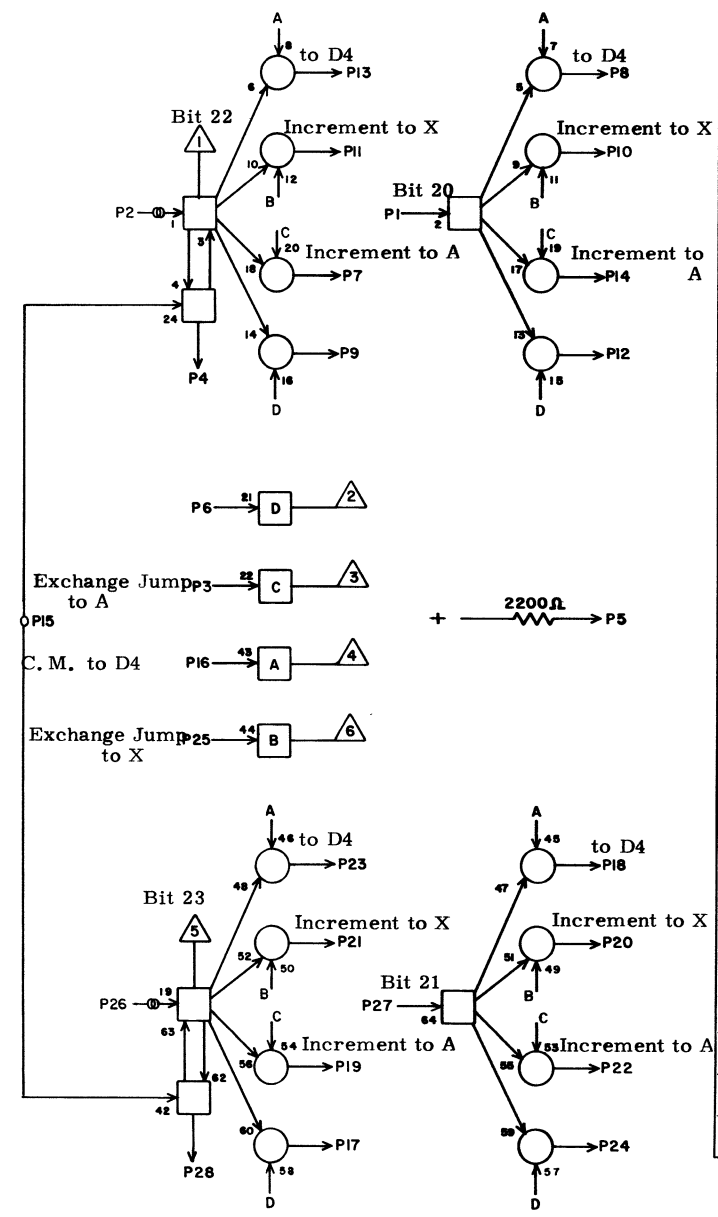
JACK PIN LG

Entro Control  
C. M. to D & Exchange Jump



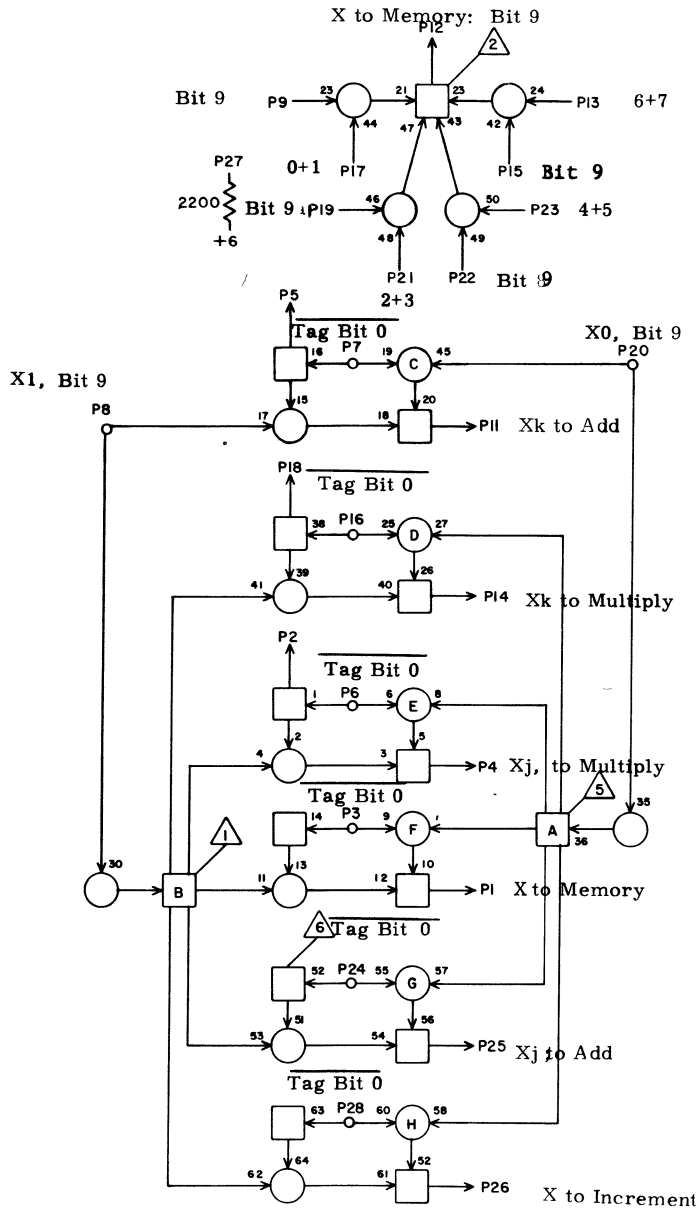
RA		7B41	
JACK	PIN	JACK	LG
1	B42	4	3
2	W06	905	
3	B36	13	7
4	B42	1	3
5			
6	B36	19	7
7	E23	1	23
8	C23	16	23
9	F23	1	27
10	D23	16	23
11	D23	1	23
12	F23	16	27
13	C23	1	27
14	E23	16	23
15	B35	12	9
16	A36	13	9
17	F23	18	27
18	C23	15	21
19	E23	18	23
20	D23	15	21
21	D23	18	21
22	E23	15	23
23	C23	18	21
24	F23	15	27
25	A36	19	9
26	W06	906	
27	B42	28	3
28	B42	27	3

Entry Control  
C. M. to D. & Exchange Jump



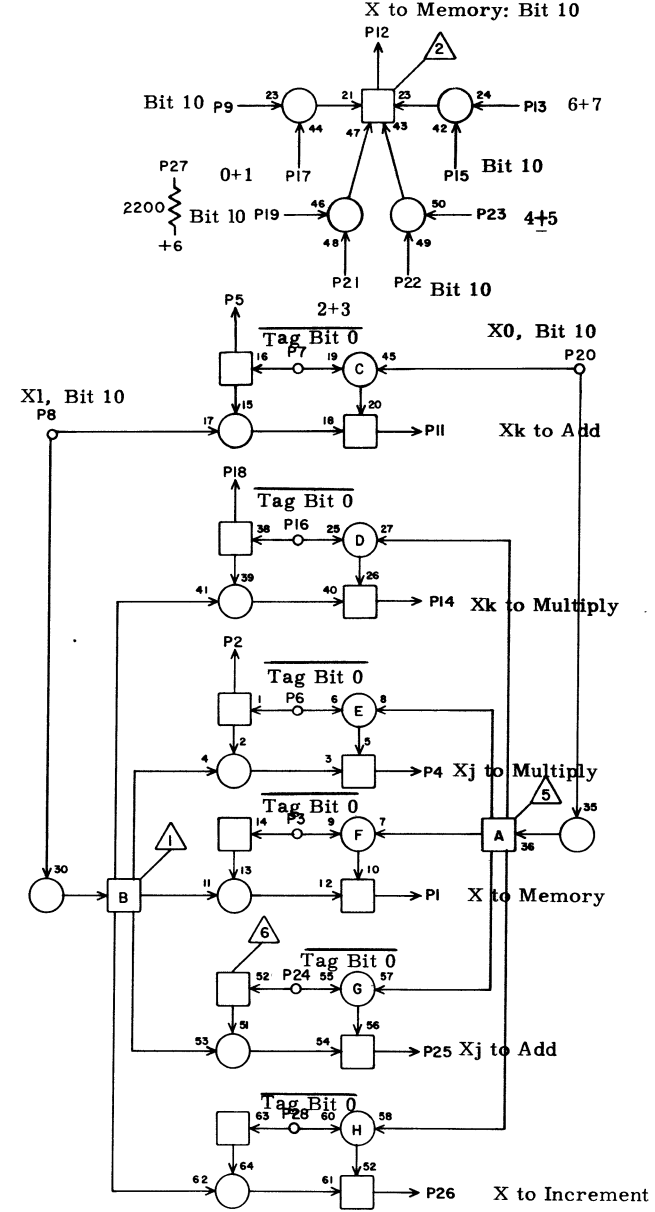
RA		7B42	
JACK	PIN	JACK	LG
1	B41	4	3
2	W06	907	
3	A35	19	11
4	B41	1	3
5			
6			
7	C29	4	15
8	J23	1	37
9			
10	J12	4	41
11	J13	4	39
12			
13	J23	16	37
14	C28	4	15
15	B35	2	11
16	C36	13	11
17			
18	J23	18	37
19	C29	28	15
20	J12	28	41
21	J13	28	41
22	C28	28	15
23	J23	15	37
24			
25	A35	13	11
26	W06	90	
27	B41	28	3
28	B41	27	3

Exit Control: X Registers



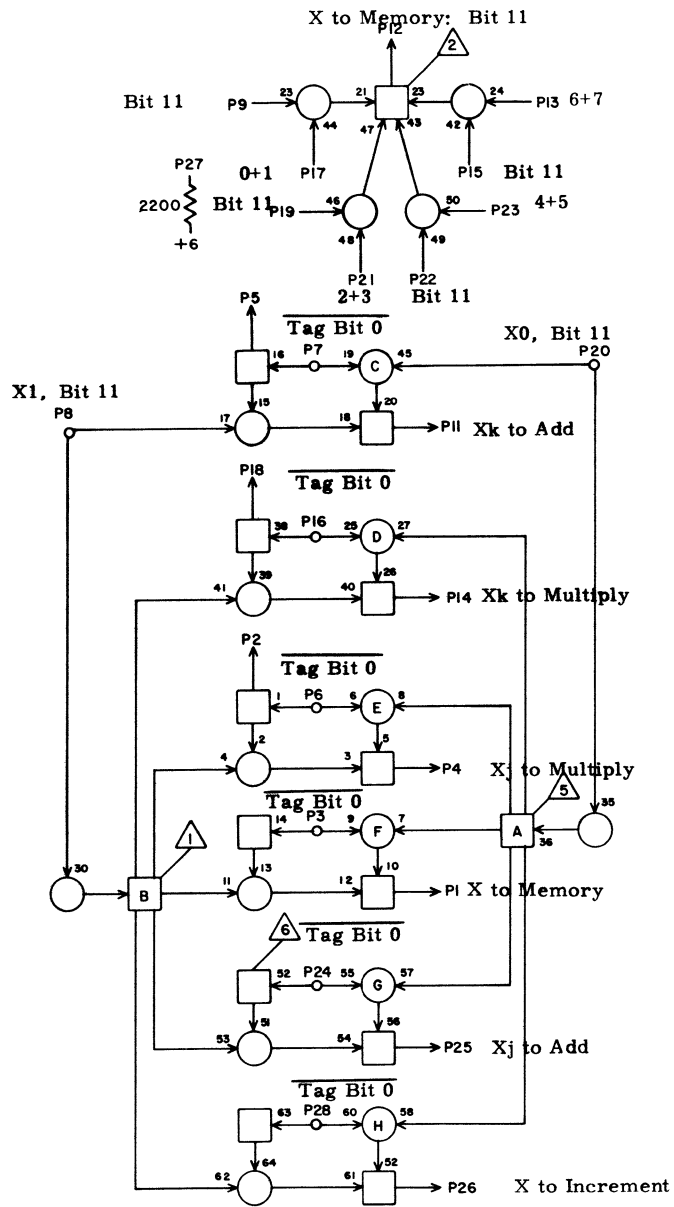
RF			
7C 1			
JACK	PIN	LG	
1	C 1	9	3
2	B 1	28	5
3	B 1	5	7
4	I32	8	39
5	B 1	3	7
6	F 7	25	17
7	F 4	25	17
8	D17	16	17
9	C 1	1	3
10			
11	M42	8	53
12	F29	7	29
13	C10	19	11
14	G32	8	33
15	O10	11	47
16	F 6	15	17
17	B10	10	13
18	B 1	24	5
19	H 1	1	21
20	C14	16	15
21	B10	19	13
22	L10	11	37
23	C10	10	11
24	B 1	18	7
25	L10	9	37
26	H 1	9	21
27			
28	B 1	2	9

Exit Control: X Registers



RF			
7C 2			
JACK	PIN	LG	
1	C 2	9	3
2	B 2	28	5
3	B 2	5	7
4	I32	22	39
5	B 2	3	7
6	F 7	23	17
7	F 4	23	15
8	D17	26	17
9	C 2	1	3
10			
11	M42	22	51
12	F29	19	29
13	C10	17	11
14	G32	22	33
15	O11	11	47
16	F 6	7	15
17	B10	12	11
18	B 2	24	5
19	H 2	1	21
20	C14	26	15
21	B10	17	11
22	L11	11	37
23	C10	12	11
24	B 2	18	7
25	L11	9	37
26	H 2	9	21
27			
28	B 2	2	9

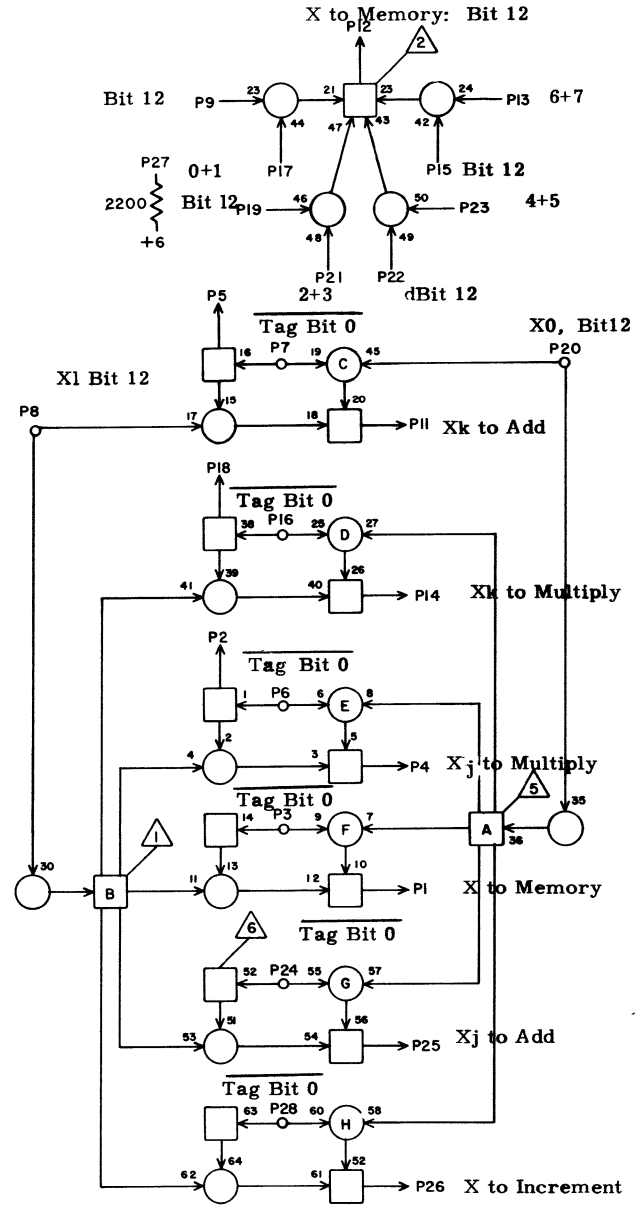
Exit Control: X Registers



RF	JACK	PIN	LG
1	C 3	9	3
2	B 3	28	5
3	B 3	5	7
4	I32	24	39
5	B 3	3	7
6	F 7	26	17
7	F 4	26	15
8	D17	27	17
9	C 3	1	3
10			
11	M42	24	51
12	F29	28	29
13	C10	27	11
14	G32	24	33
15	O12	11	47
16	F 6	6	15
17	B10	2	11
18	B 3	24	5
19	H 3	1	21
20	C14	27	13
21	B10	27	11
22	L12	11	37
23	C10	2	11
24	B 3	18	7
25	L12	9	37
26	H 3	9	21
27			
28	B 3	2	9

63017300 Rev. D

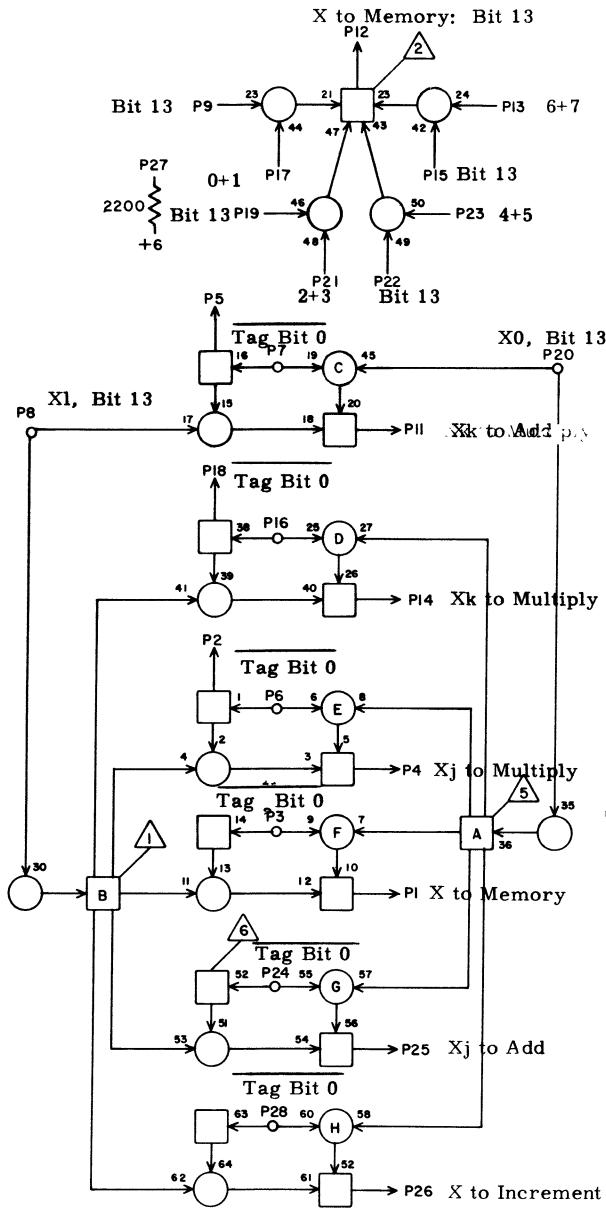
Exit Control: X Registers



RF	JACK	PIN	LG
1	C 4	9	3
2	B 4	28	5
3	B 4	5	7
4	I33	8	39
5	B 4	3	7
6	F 7	24	17
7	F 4	24	15
8	E12	11	15
9	C 4	1	3
10			
11	N35	8	49
12	F30	7	27
13	E10	25	13
14	G33	8	33
15	O13	11	47
16	F 6	4	13
17	D10	15	11
18	B 4	24	5
19	H 4	1	21
20	C15	11	13
21	D10	25	11
22	M 1	1	39
23	E10	15	13
24	B 4	18	7
25	M 1	9	39
26	H 4	9	21
27			
28	B 4	2	9

63017300 Rev. D

Exit Control: X Registers

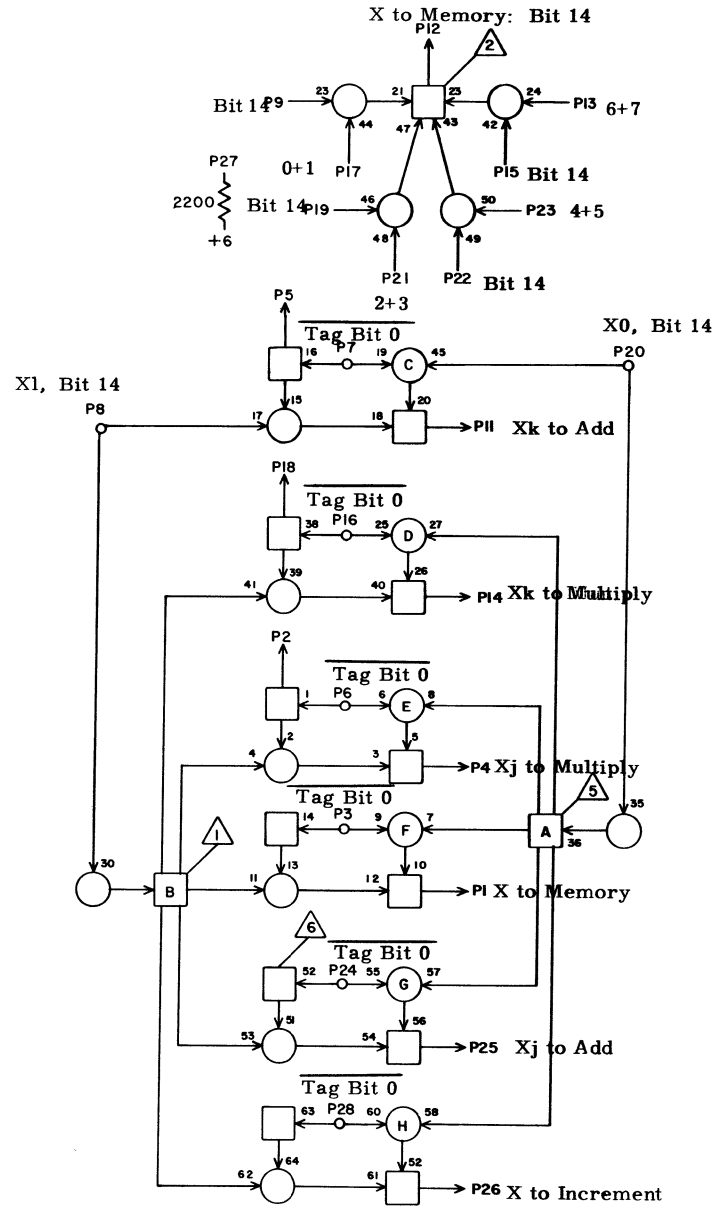


RF 7C 5

1	C 5	9	3
2	B 5	28	5
3	B 5	5	7
4	I33	22	39
5	B 5	3	7
6	F 7	22	15
7	F 4	22	15
8	E12	16	13
9	C 5	1	3
10			
11	N35	22	51
12	F30	19	29
13	E10	23	13
14	G33	22	33
15	P 1	1	49
16	F 6	9	15
17	D10	7	9
18	B 5	24	5
19	H 5	1	23
20	C15	16	13
21	D10	23	11
22	M 2	1	39
23	E10	7	11
24	B 5	18	7
25	M 2	9	39
26	H 5	9	21
27			
28	B 5	2	9

JACK PIN LG

Exit Control: X Registers



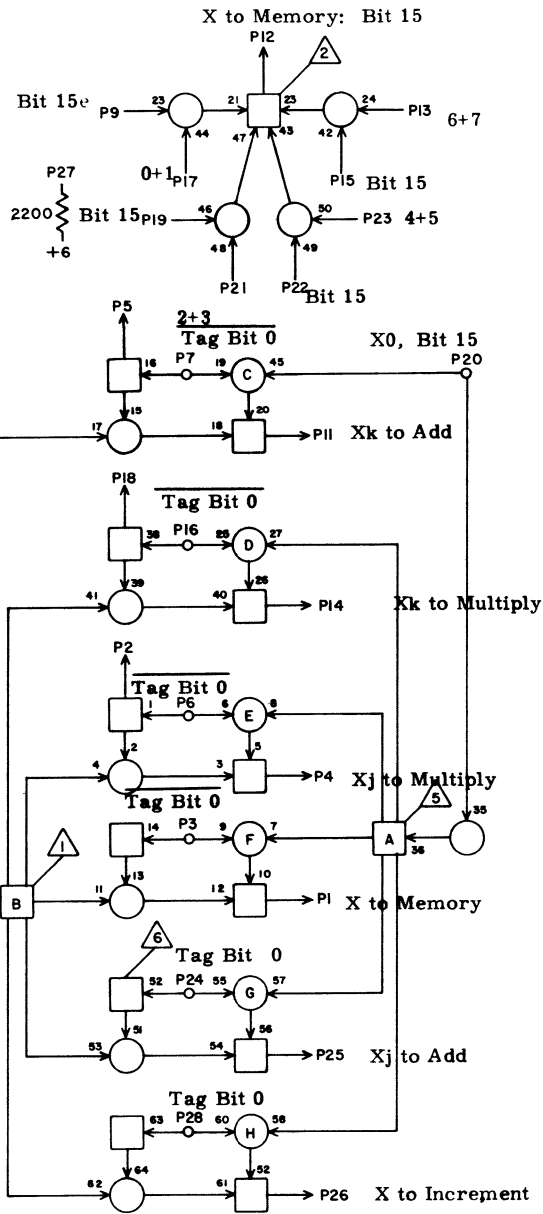
RF 7C 6

1	C 6	9	3
2	B 6	28	5
3	B 6	5	7
4	I33	24	30
5	B 6	3	7
6	F 7	20	15
7	F 4	20	15
8	E12	26	13
9	C 6	1	3
10			
11	N35	24	51
12	F30	28	29
13	E10	26	13
14	G33	24	31
15	O 2	1	49
16	F 6	11	15
17	D10	6	9
18	B 6	24	5
19	H 6	1	21
20	C15	26	13
21	D10	26	9
22	M 3	1	39
23	E10	6	11
24	B 6	18	9
25	M 3	9	39
26	H 6	9	21
27			
28	B 6	2	9

JACK PIN LG



Exit Control: X Registers

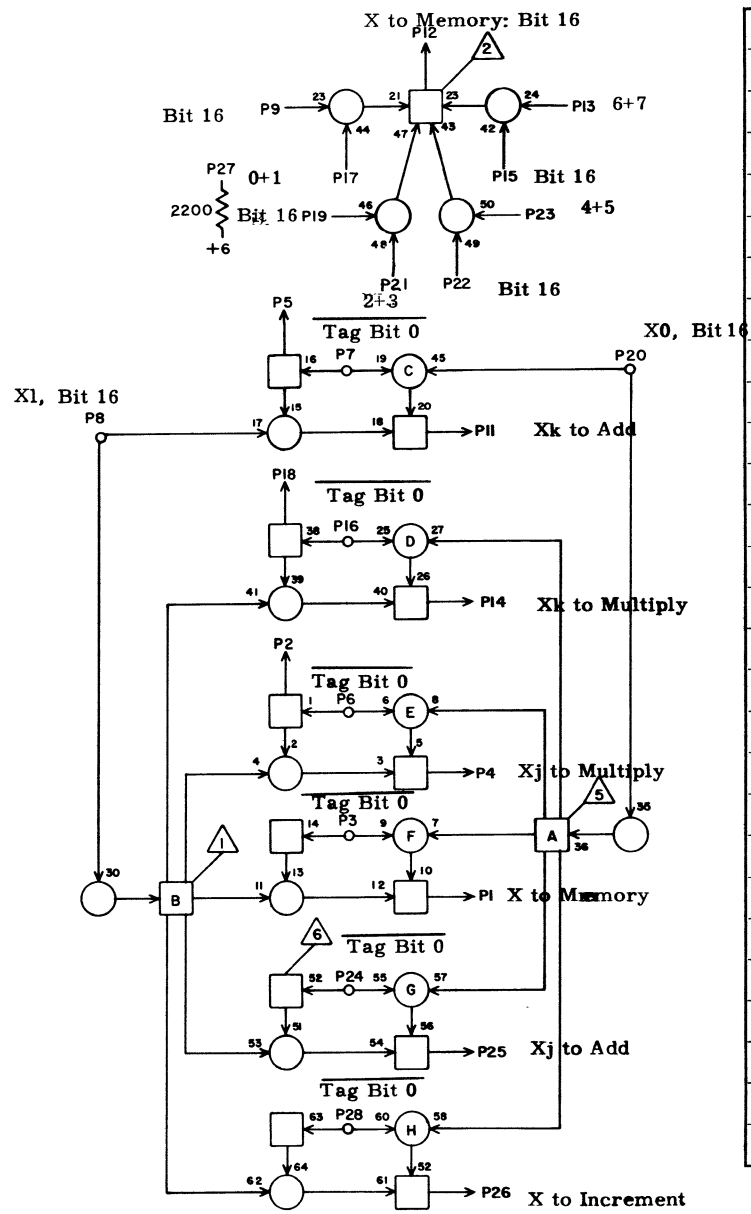


RF	7C 7		
1	C 7	9	3
2	B 7	28	5
3	B 7	5	7
4	I34	8	37
5	B 7	3	7
6	F 7	18	17
7	F 4	18	17
8	E12	27	13
9	C 7	1	3
10			
11	N36	8	49
12	F31	7	27
13	E10	24	13
14	G34	8	31
15	O 3	1	49
16	F 6	13	17
17	D10	4	7
18	B 7	24	5
19	H 7	1	21
20	C15	27	11
21	D10	24	9
22	M 4	1	39
23	E10	4	11
24	B 7	18	19
25	M 4	9	39
26	H 7	9	21
27			
28	B 7	2	9

JACK PIN LG

63017300 Rev. D

Exit Control: X Registers

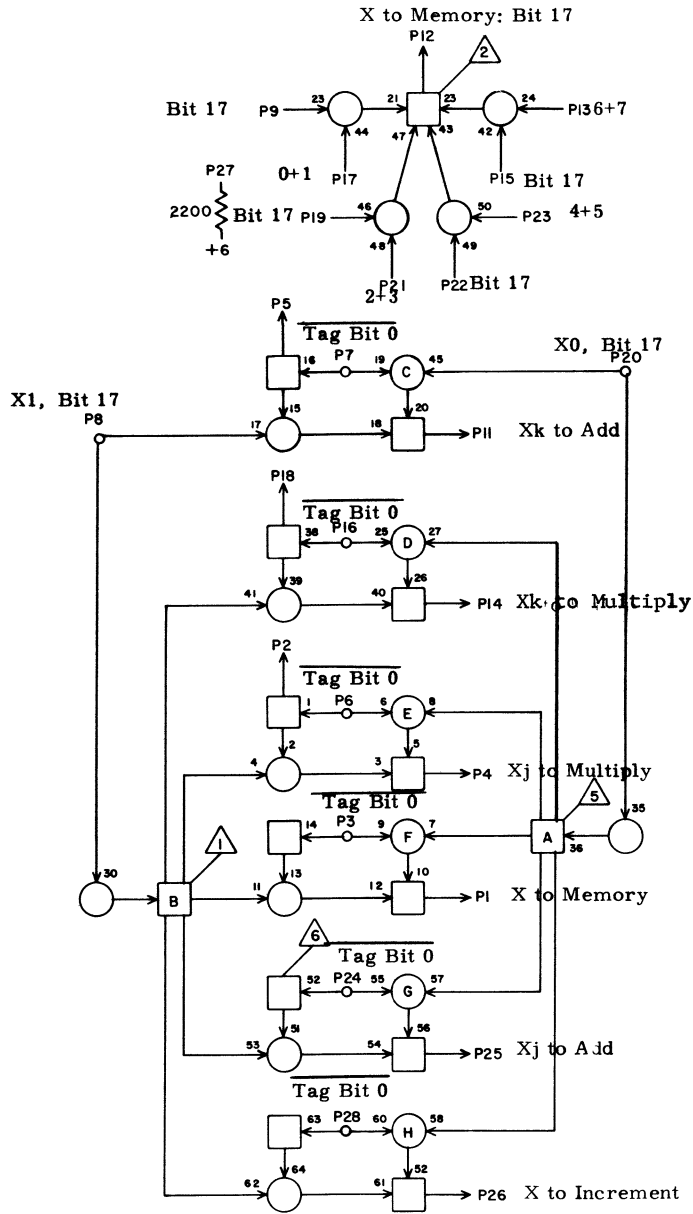


RF	7C 8		
1	C 8	9	3
2	B 8	28	5
3	B 8	5	7
4	I34	22	37
5	B 8	3	7
6	F 7	28	17
7	F 4	28	17
8	E13	11	13
9	C 8	1	3
10			
11	N36	22	49
12	F31	19	27
13	E10	22	13
14	G34	22	31
15	P 4	1	49
16	F 6	1	13
17	D10	9	7
18	B 8	24	5
19	H 8	1	21
20	C16	11	11
21	D10	22	9
22	M 5	1	39
23	E10	9	11
24	B 8	18	7
25	M 5	9	39
26	H 8	9	21
27			
28	B 8	2	9

JACK PIN LG

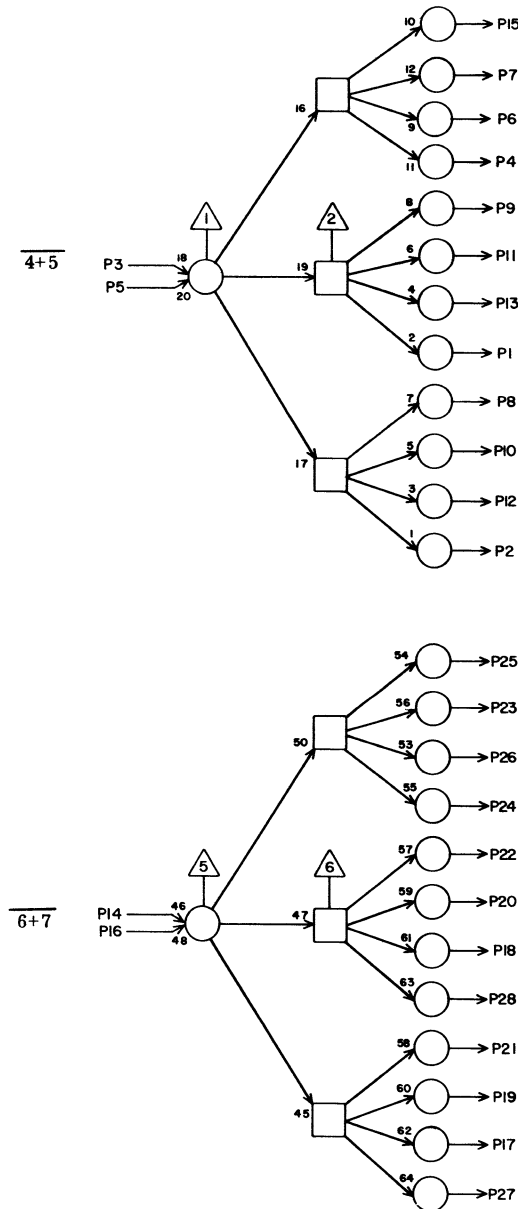
63017300 Rev. D

Exit Control: X Registers



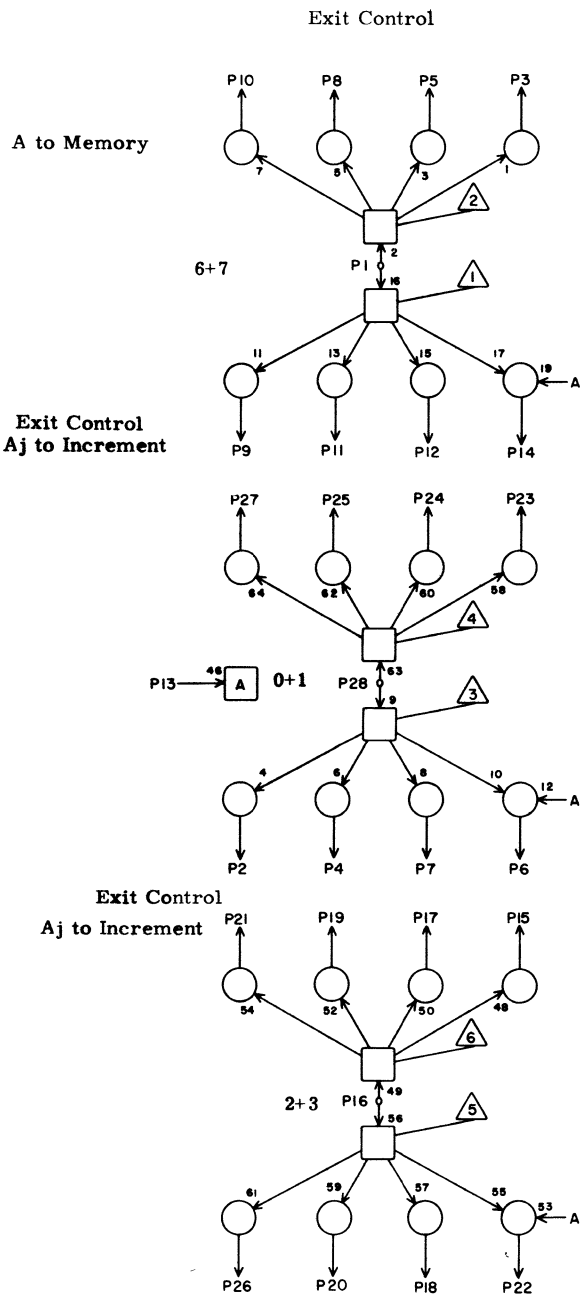
RF	7C 9		
JACK	PIN	LG	
1	C 9	9	3
2	B 9	28	5
3	B 9	5	7
4	I34	24	37
5	B 9	3	7
6	F 7	21	17
7	F 4	21	17
8	E13	16	13
9	C 9	1	3
10			
11	N36	24	49
12	F31	28	27
13	E10	20	11
14	G34	24	31
15	P 5	1	49
16	F 6	8	15
17	D10	11	5
18	B 9	24	5
19	H 9	1	21
20	C16	16	11
21	D10	20	7
22	M 6	1	39
23	E10	11	11
24	B 9	18	7
25	M 6	9	39
26	H 9	9	21
27			
28	B 9	2	9

Exit Control  
X to Memory



TC

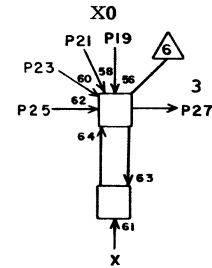
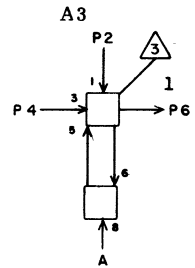
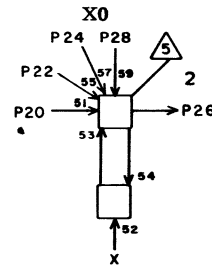
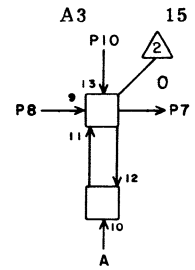
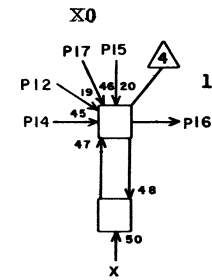
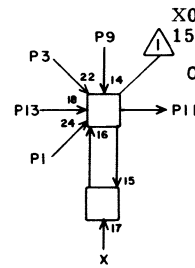
TC	7C10		
JACK	PIN	LG	
1	B 8	23	7
2	C 3	23	11
3	K 9	2	31
4	B 4	23	9
5	GND	X	2
6	B 3	23	11
7	B 2	23	11
8	B 9	23	5
9	B 5	23	9
10	C 1	23	11
11	B 6	23	9
12	C 2	23	11
13	B 7	23	7
14	K 9	23	33
15	B 1	23	13
16	GND	X	2
17	C 2	13	11
18	B 7	13	9
19	C 1	13	11
20	B 6	13	9
21	B 9	13	9
22	B 5	13	9
23	B 2	13	13
24	B 4	13	11
25	B 1	13	13
26	B 3	13	11
27	C 3	13	11
28	B 8	13	9



HF			
7C11			
1	K15	17	35
2	B31	9	21
3	A27	11	19
4	B32	9	23
5	A26	11	19
6	B34	9	24
7	B33	9	
8	A25	11	19
9	A28	11	21
10	A24	11	19
11	A31	11	23
12	A32	11	23
13	C38	5	27
14	A33	11	23
15	B30	13	21
16	D11	7	5
17	B29	13	21
18	B33	13	25
19	B28	13	19
20	B32	13	23
21	B27	13	19
22	B34	13	25
23	B30	9	21
24	B29	9	21
25	B28	9	21
26	B31	13	21
27	B27	9	19
28	D11	8	5
	JACK	PIN	LG

63017300 Rev. D

Operating Registers



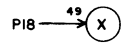
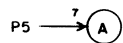
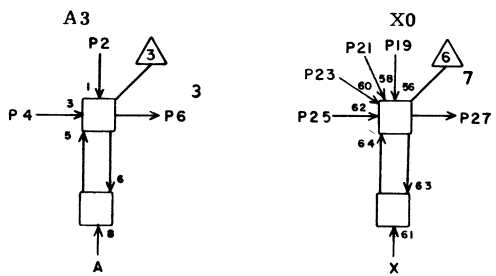
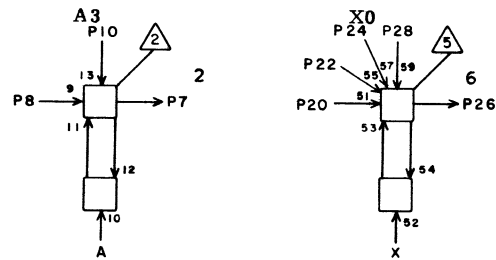
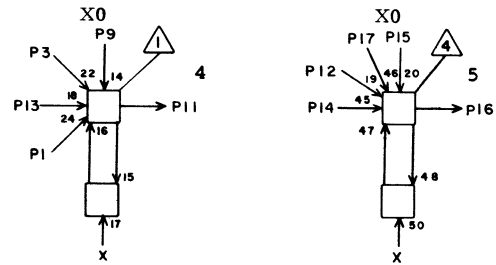
P5 → (A) Clear A

P18 → (X) Clear X

RD			
7C12			
1	Gnd	X	2
2	GND	X	2
3	H37	13	31
4	C27	17	17
5	E18	16	15
6	A23	25	17
7	A23	7	17
8	C27	7	17
9	H12	11	23
10	GND	X	2
11	B 1	8	15
12	D34	23	23
13	D34	13	23
14	C12	X	2
15	H12	23	23
16	B 2	8	15
17	H37	23	33
18	D18	2	11
19	H12	18	23
20	C12	X	2
21	H37	18	33
22	D34	8	23
23	D34	18	23
24	H37	8	33
25	C12	X	2
26	B 3	8	13
27	B 4	8	13
28	H12	8	23
	JACK	PIN	LG

63017300 Rev. D

Operating Registers



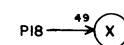
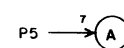
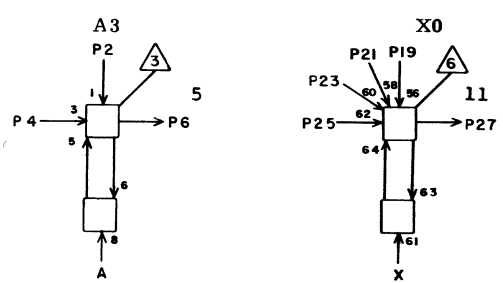
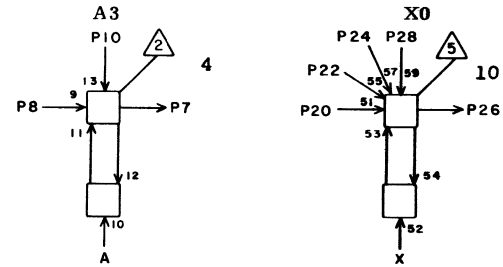
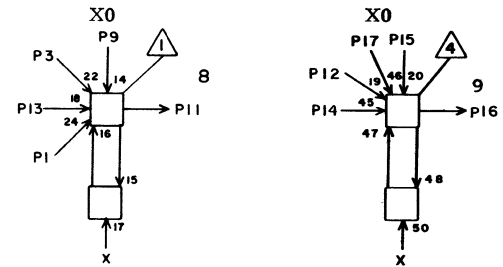
RD

7C13

1	Gnd	X	2
2	GND	X	2
3	H39	13	33
4	C27	24	15
5	E18	18	13
6	A24	25	17
7	A24	7	17
8	C27	12	17
9	H14	11	23
10	GND	X	2
11	B 5	8	13
12	D36	23	23
13	D36	13	23
14	C13	X	2
15	H14	23	23
16	B 6	8	11
17	H39	23	33
18	D18	4	9
19	H14	18	23
20	C13	X	2
21	H39	18	33
22	D36	8	23
23	D36	18	23
24	H39	8	23
25	C13	X	2
26	B 7	8	11
27	B 8	8	11
28	H14	8	23

JACK PIN LG

Operating Registers



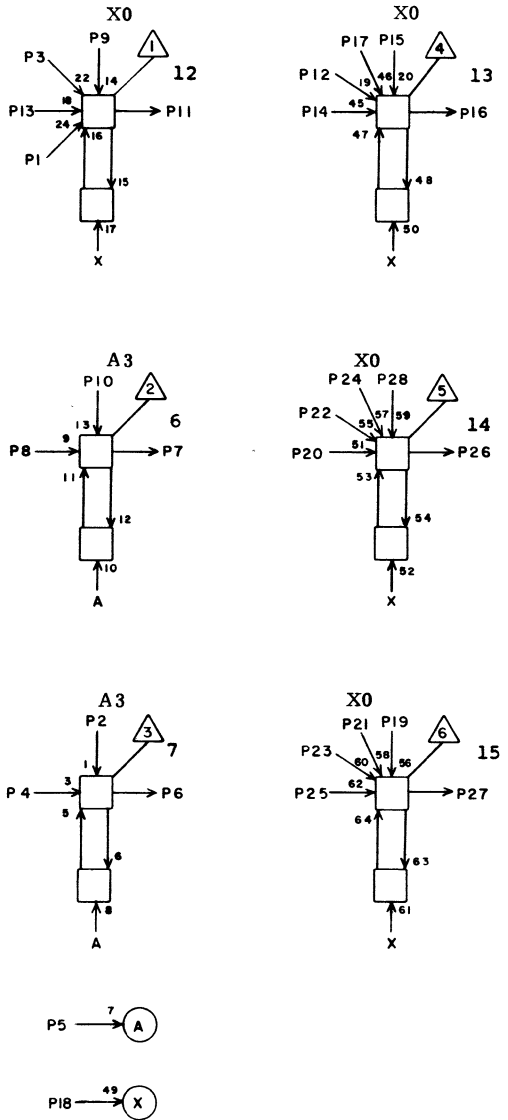
RD

7C14

1	Gnd	X	2
2	GND	X	2
3	H41	13	33
4	C29	17	17
5	E18	20	13
6	A25	25	17
7	A25	7	17
8	C29	7	17
9	H17	11	23
10	GND	X	2
11	B 9	8	11
12	D38	23	25
13	D38	13	25
14	C14	X	2
15	H17	23	23
16	C 1	20	15
17	H41	23	33
18	D18	6	9
19	H17	18	23
20	C14	X	2
21	H41	18	33
22	D38	8	25
23	D38	18	25
24	H41	8	33
25	C14	X	2
26	C 2	20	15
27	C 3	20	13
28	H17	8	23

JACK PIN LG

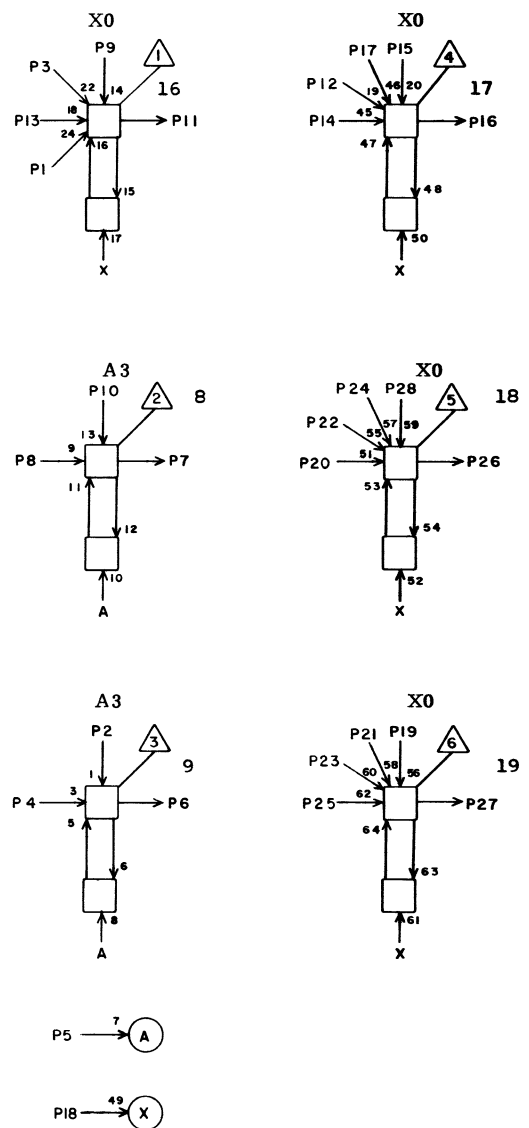
Operating Registers



RD			
7C15			
1	C15	X	2
2	GND	X	2
3	J37	13	37
4	C29	24	17
5	E18	22	13
6	A26	25	17
7	A26	7	17
8	C29	12	17
9	H21	11	23
10	GND	X	2
11	C 4	20	13
12	D40	23	25
13	D40	13	25
14	C15	X	2
15	H21	23	23
16	C 5	20	13
17	J37	23	37
18	D18	9	9
19	H21	18	23
20	C15	X	2
21	J37	18	37
22	D40	8	25
23	D40	18	25
24	J37	8	37
25	C15	X	2
26	C 6	20	13
27	C 7	20	11
28	H21	8	23
	JACK	PIN	LG

63017300 Rev. D

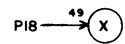
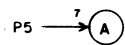
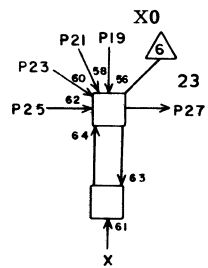
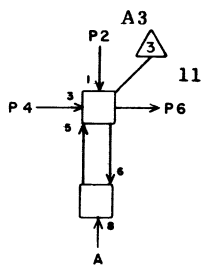
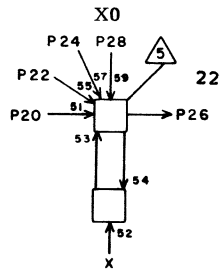
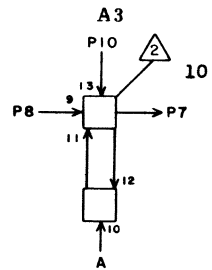
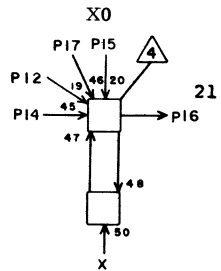
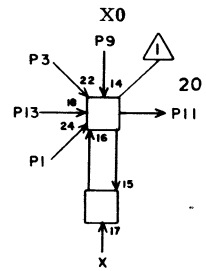
Operating Registers



RD			
7C16			
1	C16	X	2
2	GND	X	2
3	J39	13	37
4	C31	17	17
5	E18	17	13
6	A27	25	17
7	A27	7	17
8	C31	7	17
9	H23	11	23
10	GND	X	2
11	C 8	20	11
12	D42	23	27
13	D42	13	27
14	C16	X	2
15	H23	23	23
16	C 9	20	11
17	J39	23	37
18	D18	11	9
19	H23	18	23
20	C16	X	2
21	J39	18	37
22	D42	8	27
23	D42	18	27
24	J39	8	37
25	C16	X	2
26	D 1	8	17
27	D 2	8	17
28	H23	8	23
	JACK	PIN	LG

63017300 Rev. D.

Operating Registers



RD

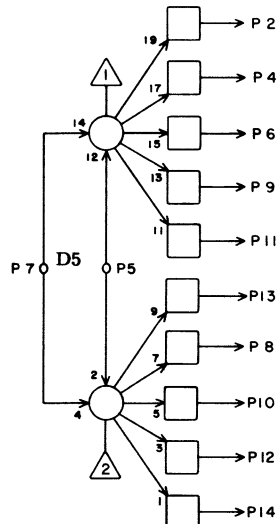
7C17

1	C17	X	2
2	GND	X	2
3	J41	13	37
4	C31	24	17
5	E18	19	13
6	A28	25	17
7	A28	7	17
8	C31	12	17
9	J12	11	29
10	GND	X	2
11	D 3	8	17
12	E35	23	23
13	E35	13	23
14	C17	X	2
15	J12	23	29
16	D 4	8	15
17	J41	23	37
18	D18	13	7
19	J12	18	29
20	C17	X	2
21	J41	18	37
22	E35	8	23
23	E35	18	23
24	J41	8	37
25	C17	X	2
26	D 5	8	15
27	D 6	8	13
28	J12	8	29

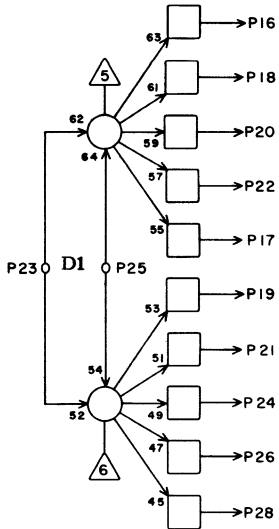
JACK PIN LG

Entry Control

Clear D5



Clear D1



HC

7C 19

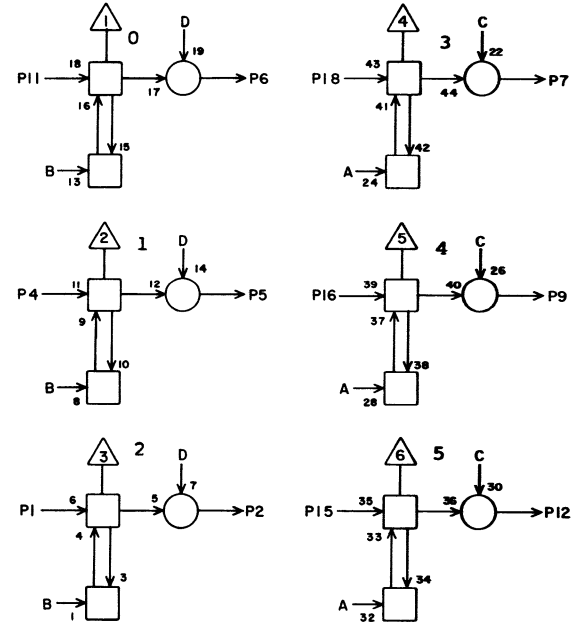
1			
2	C20	10	3
3			
4	C21	10	5
5	D22	24	9
6	C22	10	5
7	I16	2	25
8	C24	10	9
9			
10	C25	10	9
11			
12			
13	C23	10	7
14			
15			
16	D20	10	5
17			
18	D21	10	5
19	D23	10	9
20	D22	10	9
21	D24	10	9
22			
23	I16	4	25
24	D25	10	9
25	D23	24	7
26			
27			
28			

JACK PIN LG

63017300 Rev. D

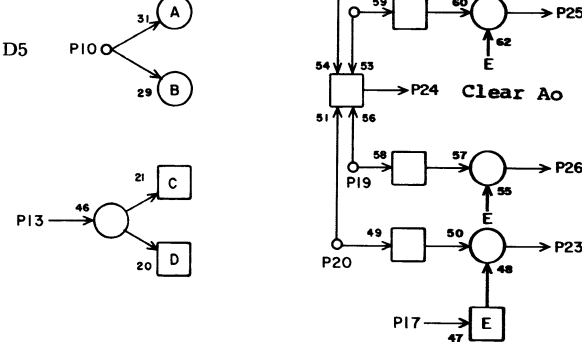
Entry Control

Register D5



Increment to A0

Clear D5



RE

7C20

1	A37	8	19
2	M16	20	41
3			
4	A37	23	19
5	M16	14	41
6	M16	1	39
7	M16	25	41
8			
9	M17	1	39
10	C19	2	3
11	A37	13	19
12	M17	14	39
13	D19	15	7
14			
15	A39	23	25
16	A39	13	25
17	I18	25	25
18	A37	18	19
19			
20			
21			
22			
23			
24	F18	5	13
25			
26			
27	H27	12	21
28	E28	1	13

JACK PIN LG

63017300 Rev. D

Entry Control Register D5

RE **7C21**

1	A41	13	23
2	M18	1	39
3			
4	A39	18	21
5	M17	25	41
6	M17	20	41
7	M18	14	41
8			
9	M18	20	41
10	C19	4	5
11	A39	8	21
12	M18	25	41
13	D19	7	7
14			
15	A41	18	23
16	A41	8	23
17	I18	23	27
18	A41	23	23
19			
20			
21			
22			
23			
24	F18	25	15
25			
26			
27	H27	13	21
28	E28	2	13

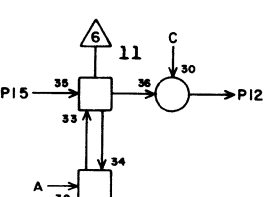
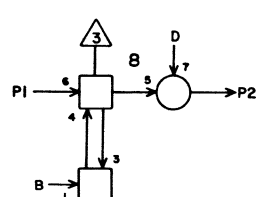
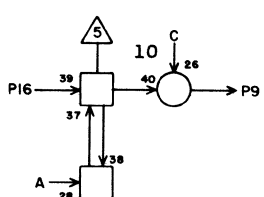
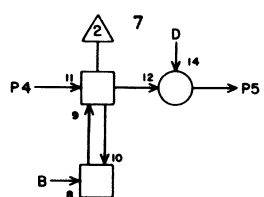
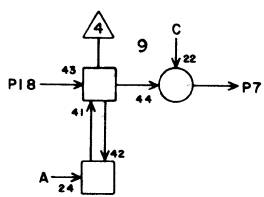
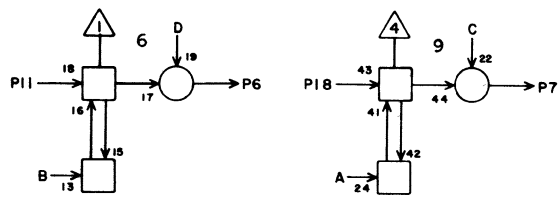
JACK PIN LG

Entry Control Register D5

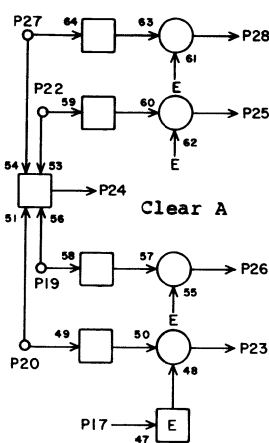
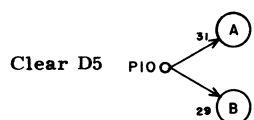
RE **7C22**

1	B37	8	17
2	M19	20	41
3			
4	B37	23	17
5	M19	14	41
6	M19	1	41
7	M19	25	41
8			
9	M20	1	41
10	C19	6	5
11	B37	13	17
12	M20	14	41
13	D19	9	7
14			
15	B39	23	19
16	B39	13	19
17	I18	26	27
18	B37	18	17
19			
20			
21			
22			
23			
24	E18	5	11
25			
26			
27	H27	8	21
28	E28	25	13

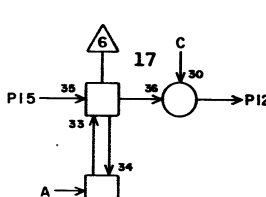
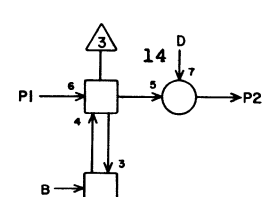
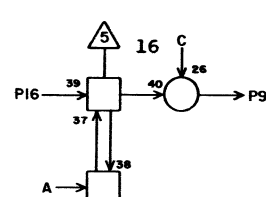
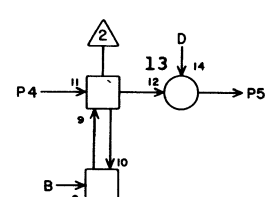
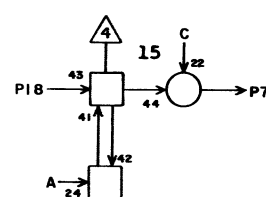
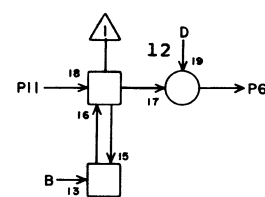
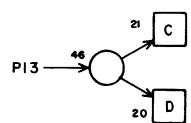
JACK PIN LG



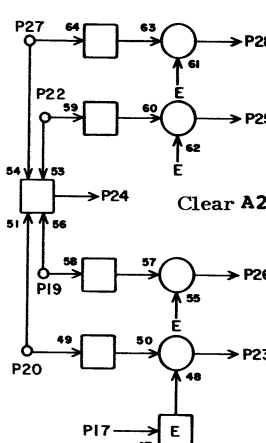
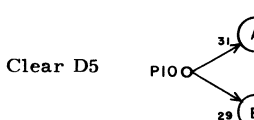
Increment to A1



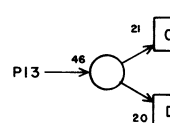
Clear A



Increment to A2



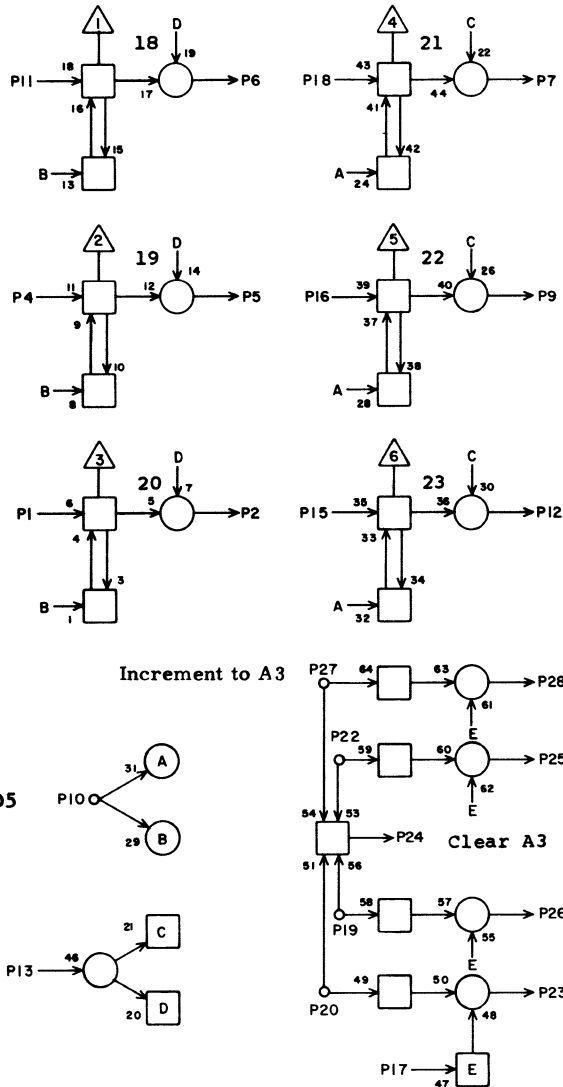
Clear A2





Entry Control Register D5

Entry Control Register D5



RE 7C23

1	B41	13	21
2	M22	1	41
3			
4	B39	18	21
5	M20	25	41
6	M20	20	41
7	M22	14	41
8			
9	M22	20	41
10	C19	13	7
11	B39	8	21
12	M22	25	41
13	D19	11	9
14			
15	B41	18	21
16	B41	8	23
17	I18	24	27
18	B41	23	21
19			
20			
21			
22			
23			
24	E18	25	13
25			
26			
27	H27	10	21
28	E28	26	13

JACK PIN LG

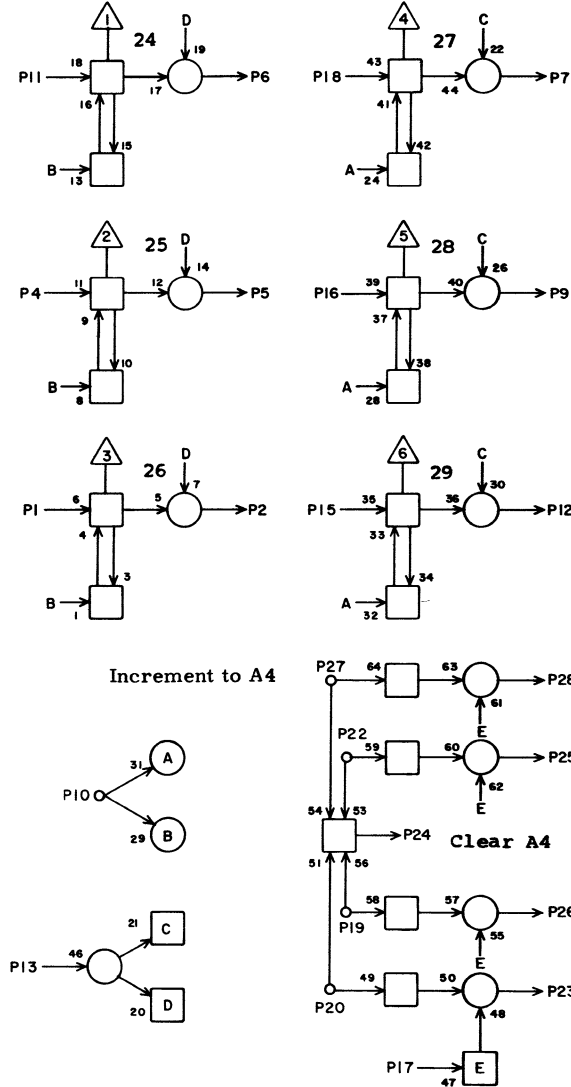
63017300 Rev. D

RE 7C24

1	C37	8	15
2	M23	20	41
3			
4	C37	23	15
5	M23	14	41
6	M23	1	41
7	M23	25	41
8			
9	M24	1	41
10	C19	8	9
11	C37	13	15
12	M24	14	41
13	D19	8	9
14			
15	C39	23	19
16	C39	13	17
17	I18	22	27
18	C37	18	15
19			
20			
21			
22			
23			
24	B12	5	15
25			
26			
27	H27	6	21
28	E29	1	11

JACK PIN LG

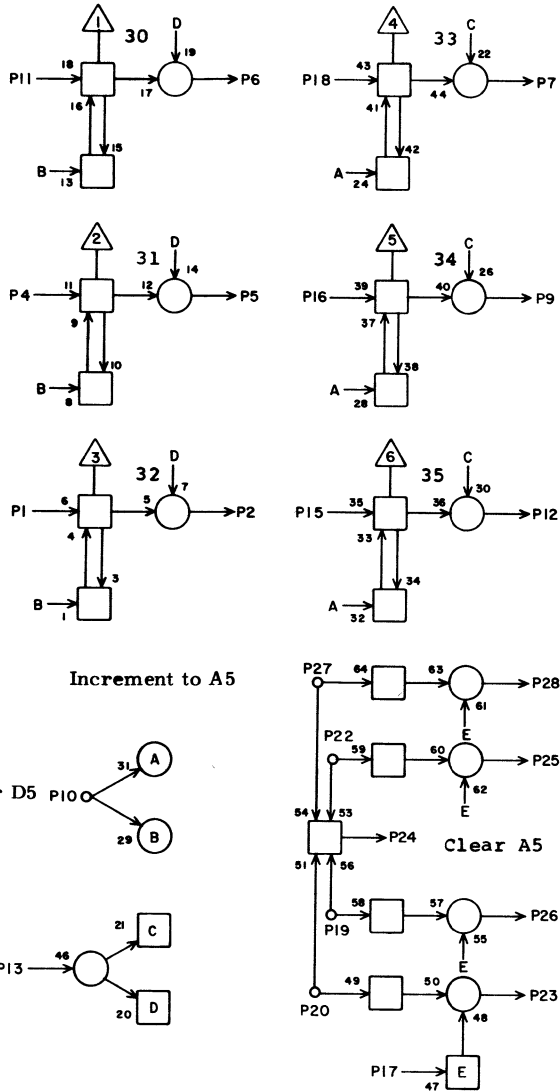
63017300 Rev. D



Clear D5

Clear A4

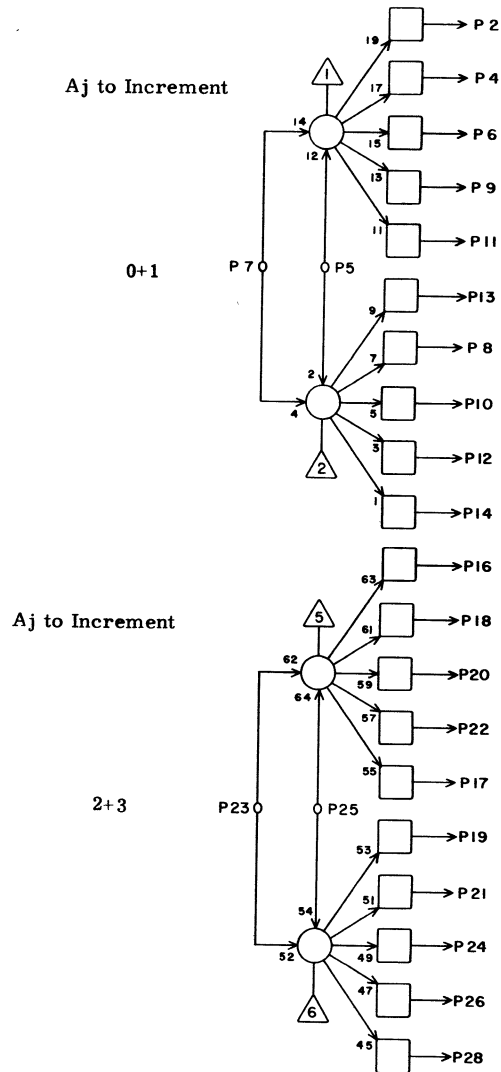
Entry Control Register D5



RE 7C25

	JACK	PIN	LG
1	C41	13	17
2	M25	1	41
3			
4	C39	18	15
5	M24	25	41
6	M24	20	41
7	M25	14	41
8			
9	M25	20	41
10	C19	10	9
11	C39	8	15
12	M25	25	41
13	D19	10	9
14			
15	C41	18	17
16	C41	8	17
17	I18	20	27
18	C41	23	17
19			
20			
21			
22			
23			
24	B12	25	15
25			
26			
27	H27	11	21
28	E29	2	11

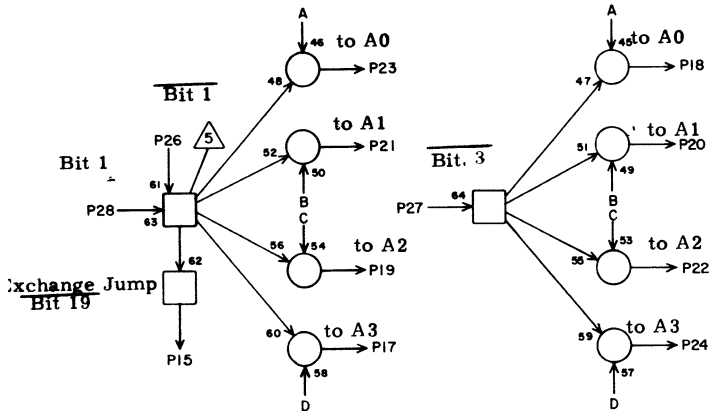
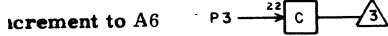
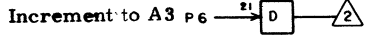
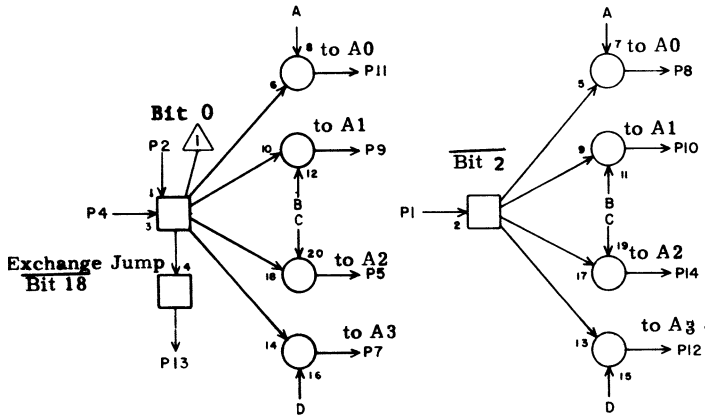
Exit Control



HC 7C26

	JACK	PIN	LG
1			
2	B13	9	17
3			
4	B14	9	15
5	D11	6	19
6	B15	9	15
7	gnd		2
8	B19	9	11
9	B16	9	15
10	B22	9	9
11	B17	9	13
12	B23	9	9
13	B18	9	11
14	B24	9	9
15			
16	B13	13	17
17	B17	13	13
18	B14	13	15
19	B18	13	11
20	B15	13	15
21	B19	13	11
22	B16	13	15
23	gnd		2
24	B22	13	9
25	D11	5	19
26	B23	13	9
27			
28	B24	13	9

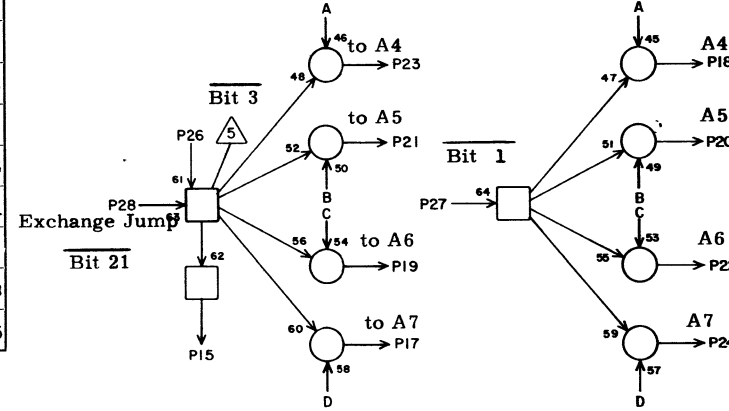
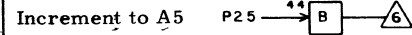
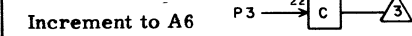
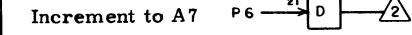
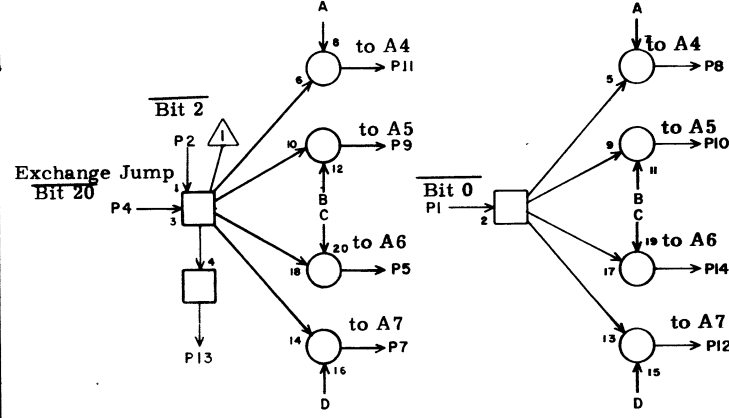
Entry Control Increment to A & Exchange Jump



7C27			
RC	JACK	PIN	LG
1	C28	13	5
2	F38	11	19
3	E28	16	11
4	B40	7	15
5	D15	8	15
6	E28	15	11
7	C12	8	17
8	G16	8	21
9	F12	8	21
10	F13	8	21
11	G15	8	23
12	C13	8	1
13	C28	1	5
14	D16	8	15
15	C28	27	5
16	E28	6	11
17	C12	4	17
18	G16	4	21
19	D15	4	15
20	F13	4	21
21	F12	4	21
22	D16	4	15
23	G15	4	23
24	C13	4	15
25	E28	5	11
26	F38	21	19
27	C28	15	3
28	B40	19	15

63017300 Rev. D

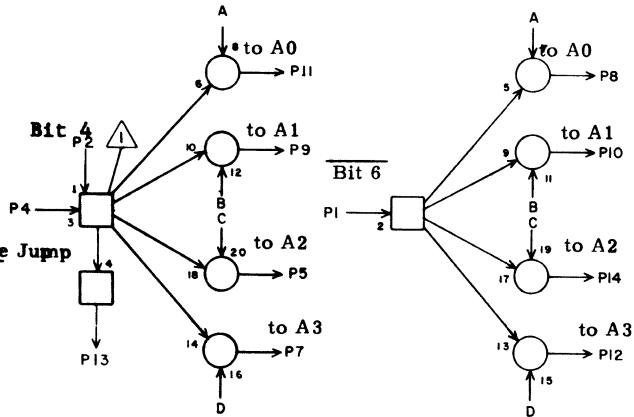
Entry Control Increment to A & Exchange Jump



7C28			
RC	JACK	PIN	LG
1	C27	13	5
2	F38	10	19
3	E29	16	11
4	B42	14	15
5	A 7	4	23
6	E29	15	11
7	A10	4	23
8	A 1	1	29
9	A 4	4	27
10	A 4	1	27
11	A 1	4	27
12	A10	1	23
13	C27	1	5
14	A 7	1	23
15	C27	27	3
16	E29	6	11
17	A10	14	23
18	A 1	8	29
19	A 7	14	23
20	A 4	8	27
21	A 4	14	27
22	A 7	8	23
23	A 1	14	29
24	A10	8	23
25	E29	5	11
26	F38	20	17
27	C27	15	5
28	B42	22	15

63017300 Rev. D

Entry Control  
Increment to A & Exchange Jump



Increment to A3 P6 →  $\square$  D  $\triangle$  2

Increment to A2 P3 →  $\square$  C  $\triangle$  3

Increment to A0 P16 →  $\square$  A  $\triangle$  4

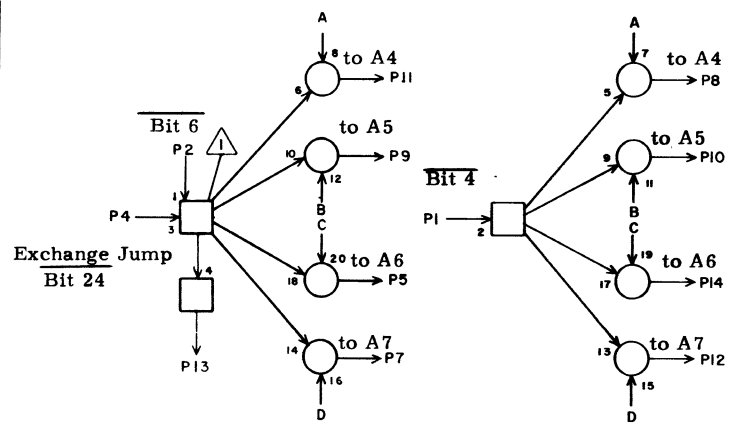
Increment to A1 P25 →  $\square$  B  $\triangle$  6

RC 7C29

1	C30	13	5
2	F40	11	19
3	E28	18	11
4	B42	7	15
5	D17	8	17
6	E28	17	11
7	C14	8	17
8	G20	8	21
9	F14	8	21
10	F15	8	21
11	G17	8	21
12	C15	8	17
13	C30	1	3
14	E12	8	21
15	C30	27	3
16	E28	8	11
17	C14	4	17
18	G20	4	19
19	D17	4	15
20	F15	4	19
21	F14	4	21
22	E12	4	21
23	G17	4	21
24	C15	4	17
25	E28	7	11
26	F40	21	21
27	C30	15	3
28	B42	19	15

JACK PIN LG

Entry Control  
Increment to A & Exchange Jump



Increment to A7 P6 →  $\square$  D  $\triangle$  2

Increment to A6 P3 →  $\square$  C  $\triangle$  3

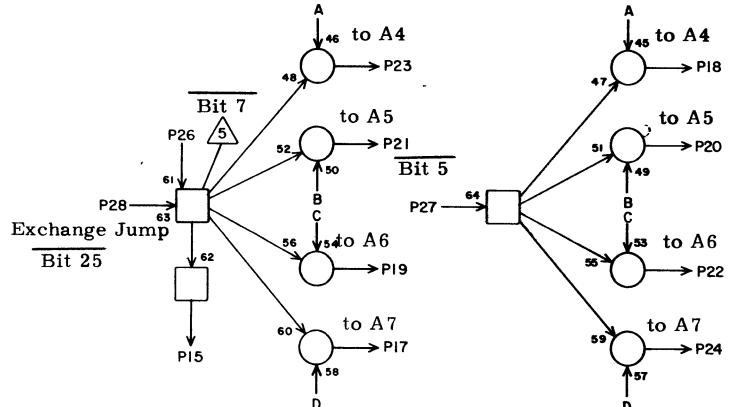
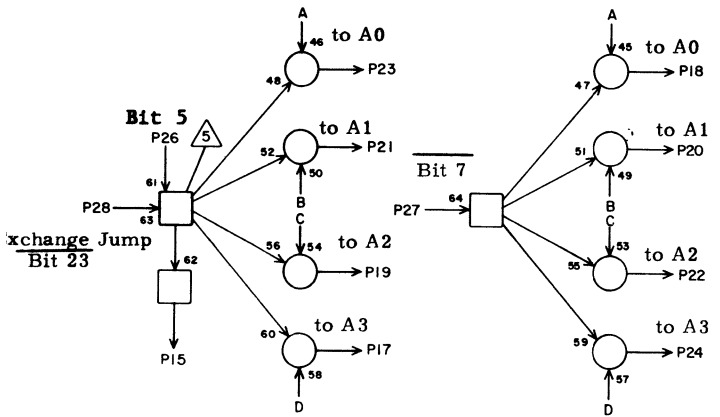
Increment to A4 P16 →  $\square$  A  $\triangle$  4

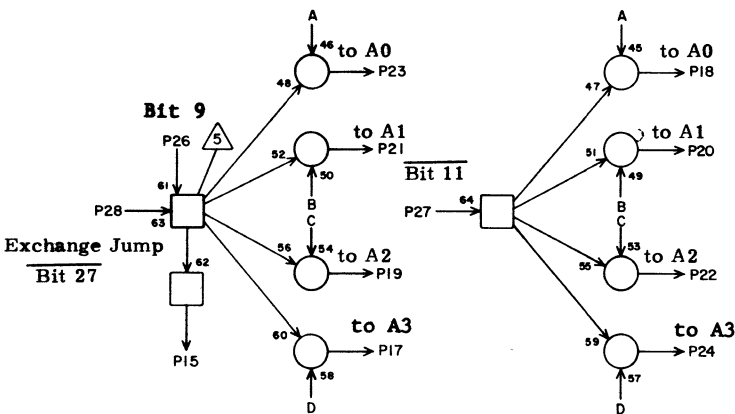
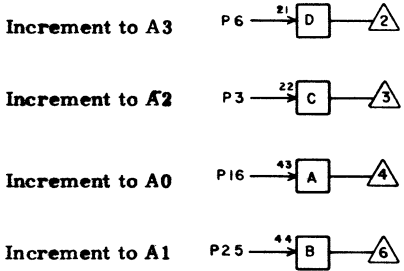
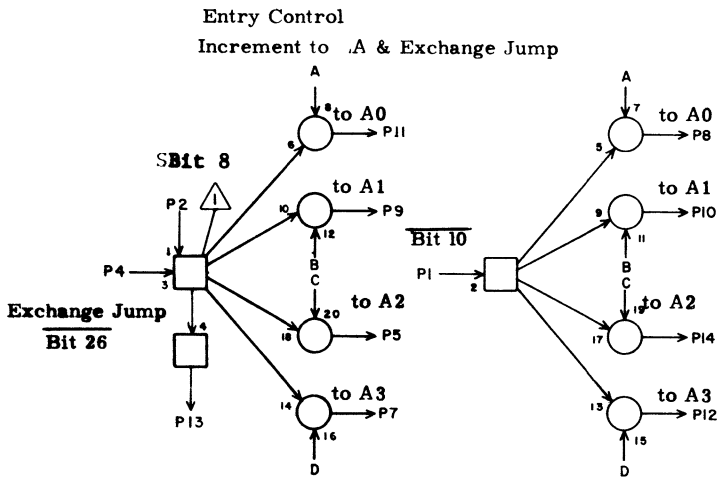
Increment to A5 P25 →  $\square$  B  $\triangle$  6

RC 7C30

1	C29	13	3
2	F40	10	19
3	E29	18	13
4	C38	14	11
5	A 8	1	25
6	E29	17	13
7	A11	1	23
8	A 1	20	31
9	A 5	1	27
10	A 4	20	27
11	A 2	1	29
12	A10	20	23
13	C29	1	5
14	A07	20	25
15	C29	27	3
16	E29	8	11
17	A11	8	23
18	A 1	25	31
19	A 8	8	25
20	A 4	25	29
21	A 5	8	27
22	A 7	25	25
23	A 2	8	29
24	A10	25	23
25	E29	7	11
26	F40	20	19
27	C29	15	3
28	C38	22	11

JACK PIN LG



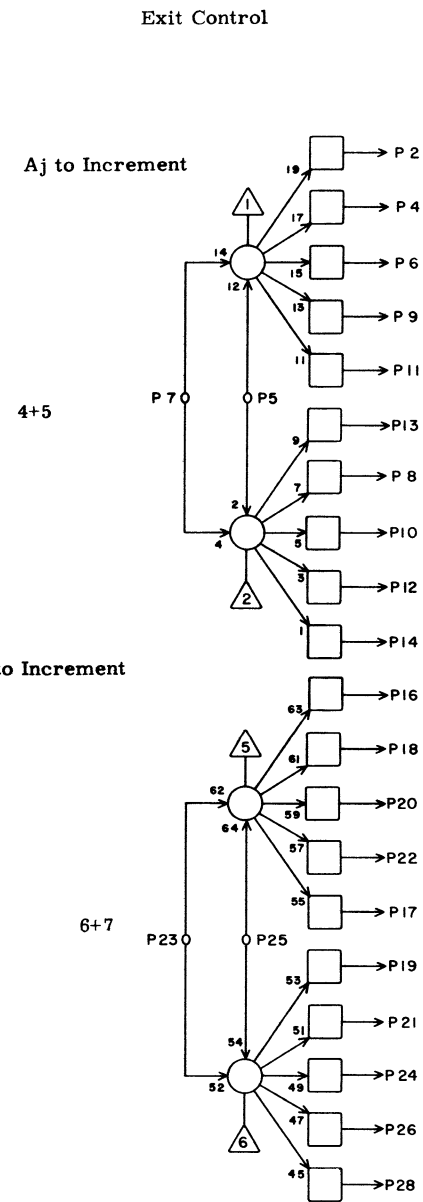


RC **7C31**

1	D27	13	9
2	F42	11	21
3	E28	20	13
4	C38	7	9
5	E13	8	21
6	E28	19	13
7	C16	8	17
8	G22	8	21
9	F16	8	21
10	F17	8	21
11	G21	8	21
12	C17	8	17
13	D27	1	9
14	E14	8	21
15	D27	27	9
16	E28	10	11
17	C16	4	17
18	G22	4	21
19	E13	4	21
20	F17	4	21
21	F16	4	21
22	E14	4	19
23	G21	4	21
24	C17	4	17
25	E28	9	11
26	F42	21	19
27	D27	15	7
28	C38	19	9

JACK    PIN    LG

63017300 Rev. D



HC **7C 32**

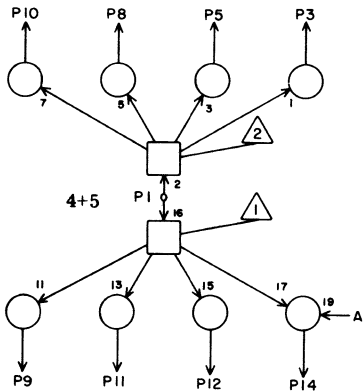
1			
2	B13	10	21
3			
4	B14	10	21
5	D11	16	23
6	B15	10	21
7	gnd		2
8	B19	10	15
9	B16	10	19
10	B22	10	13
11	B17	10	19
12	B23	10	13
13	B18	10	19
14	B24	10	11
15			
16	B13	11	21
17	B17	11	19
18	B14	11	21
19	B18	11	19
20	B15	11	21
21	B19	11	15
22	B16	11	19
23	gnd		2
24	B22	11	13
25	D11	15	23
26	B23	11	13
27			
28	B24	11	11

JACK    PIN    LG

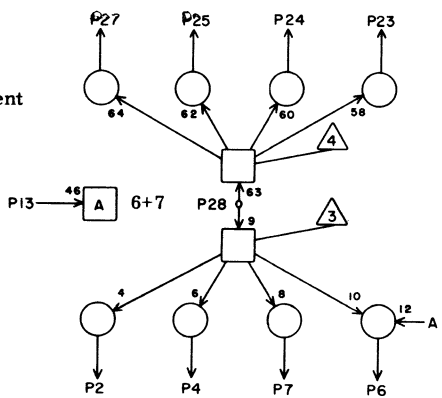
63017300 Rev. D

Exit Control

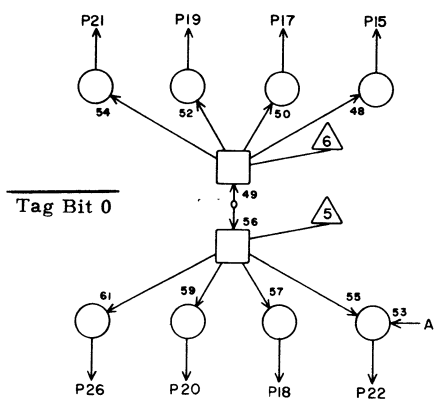
Aj to Increment



Aj to Increment



Aj to Increment



7C33

HF

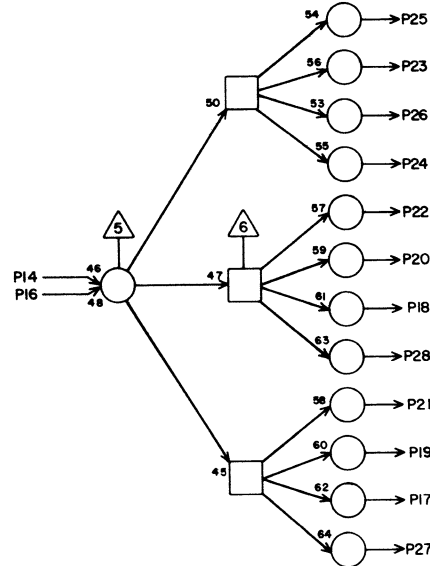
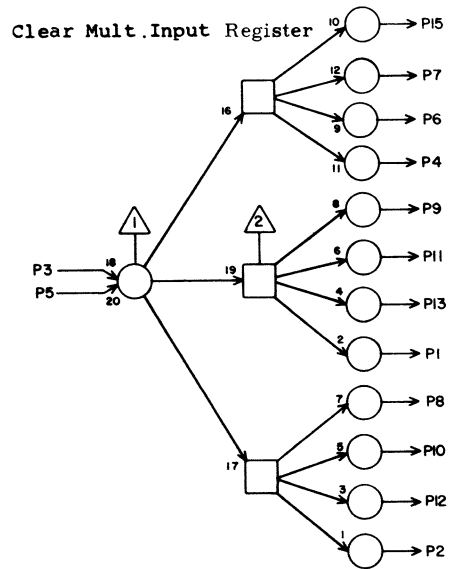
7C 33

1	D11	18	23
2	B31	11	9
3	B30	10	9
4	B32	11	9
5	B29	10	9
6	B34	11	5
7	B33	11	5
8	B28	10	9
9	B31	10	9
10	B27	10	11
11	B32	10	9
12	B33	10	7
13	C37	5	7
14	B34	10	7
15			
16	G26	14	21
17	A29	14	13
18			
19	A18	14	19
20			
21	B21	14	15
22			
23	B30	11	9
24	B29	11	9
25	B28	11	9
26			
27	B27	11	11
28	D11	17	23

JACK PIN LG

63017300 Rev. D

Entry Control



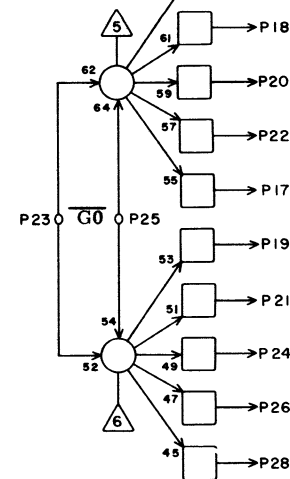
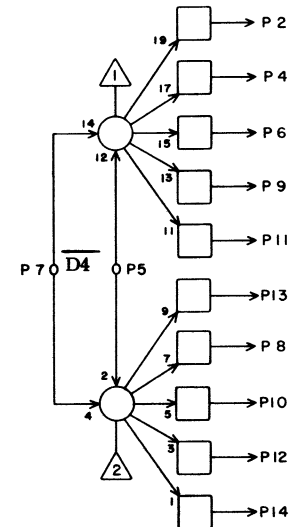
TC 7C 35

1	D41	15	11
2	E36	15	11
3	I14	20	33
4	D37	15	9
5	gnd		2
6	D36	15	9
7	D35	15	9
8	D42	15	11
9	D38	15	9
10	E34	15	11
11	D39	15	9
12	E35	15	11
13	D40	15	9
14	I14	22	33
15	D34	15	7
16	gnd		2
17			
18			
19			
20	E42	15	13
21			
22	E41	15	13
23	E38	15	11
24	E40	15	13
25	E37	15	11
26	E39	15	11
27			
28			

JACK PIN LG

63017300 Rev. D

Entry Control



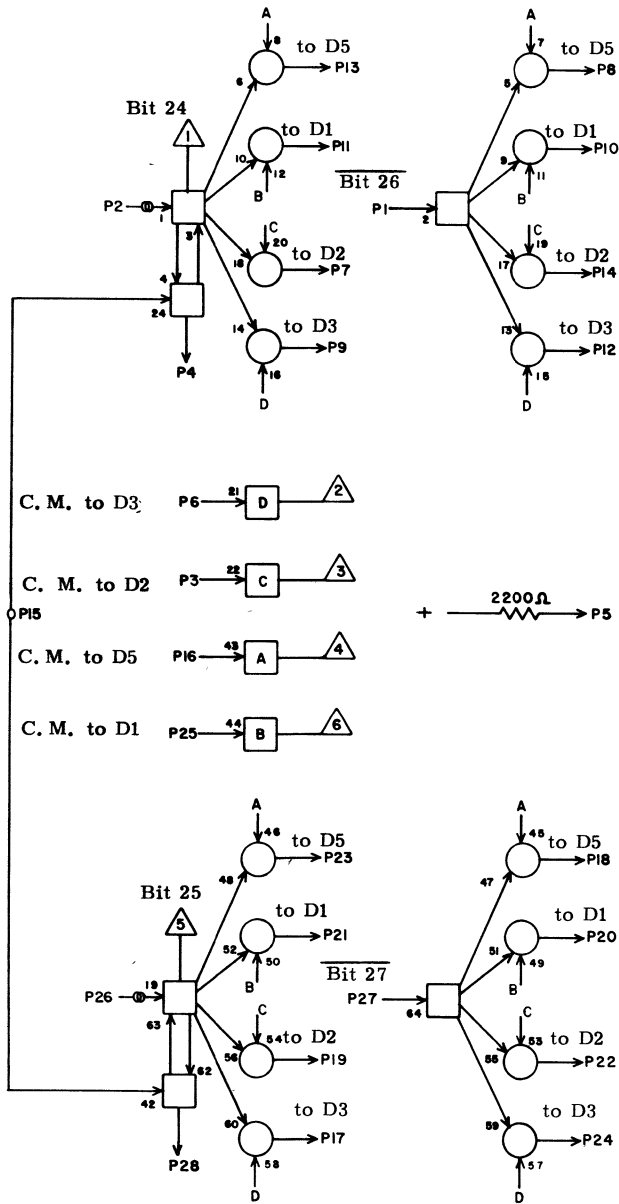
7C36

1			
2	A38	16	11
3			
4	A40	16	11
5	G27	21	21
6	A42	16	11
7	GND		2
8	C38	16	7
9	B38	16	7
10	C40	16	7
11	B40	16	9
12	C42	16	9
13	B42	16	11
14			
15			
16	A35	5	13
17			
18	A35	25	13
19			
20			
21			
22			
23	GND		2
24			
25	G37	12	21
26			
27			
28			

JACK PIN LG

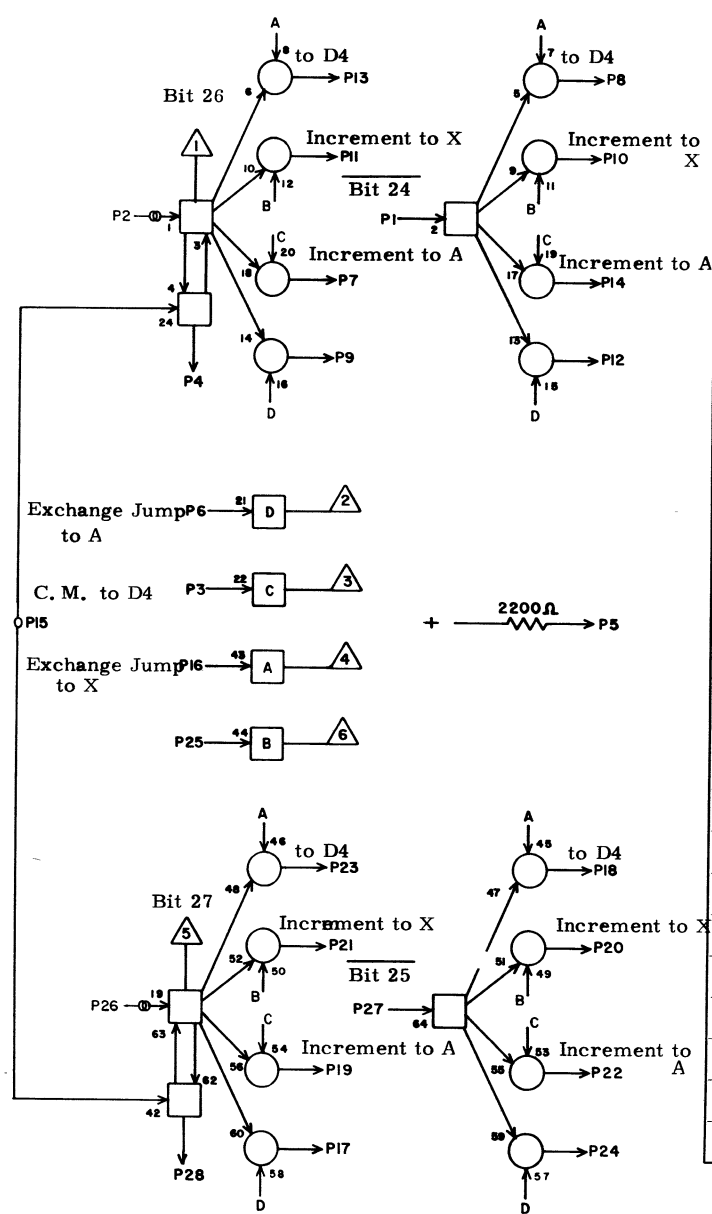
63017300 Rev. D

Entry Control: Trunk  
C. M. to D. & Exchange Jump



RA		7C37	
1	C38	4	3
2	W06	91	
3	B36	8	7
4	C38	1	3
5	C33	13	7
6	B36	21	5
7	E24	11	19
8	C24	1	15
9	F24	11	19
10	D24	1	15
11	D24	11	15
12	F24	1	19
13	C24	11	15
14	E24	1	19
15	B35	25	5
16	A36	8	11
17	F24	4	19
18	C24	18	15
19	E24	4	19
20	D24	18	15
21	D24	4	15
22	E24	18	19
23	C24	4	15
24	F24	18	19
25	A36	21	11
26	W06	92	
27	C38	28	3
28	C38	27	3
	JACK	PIN	LG

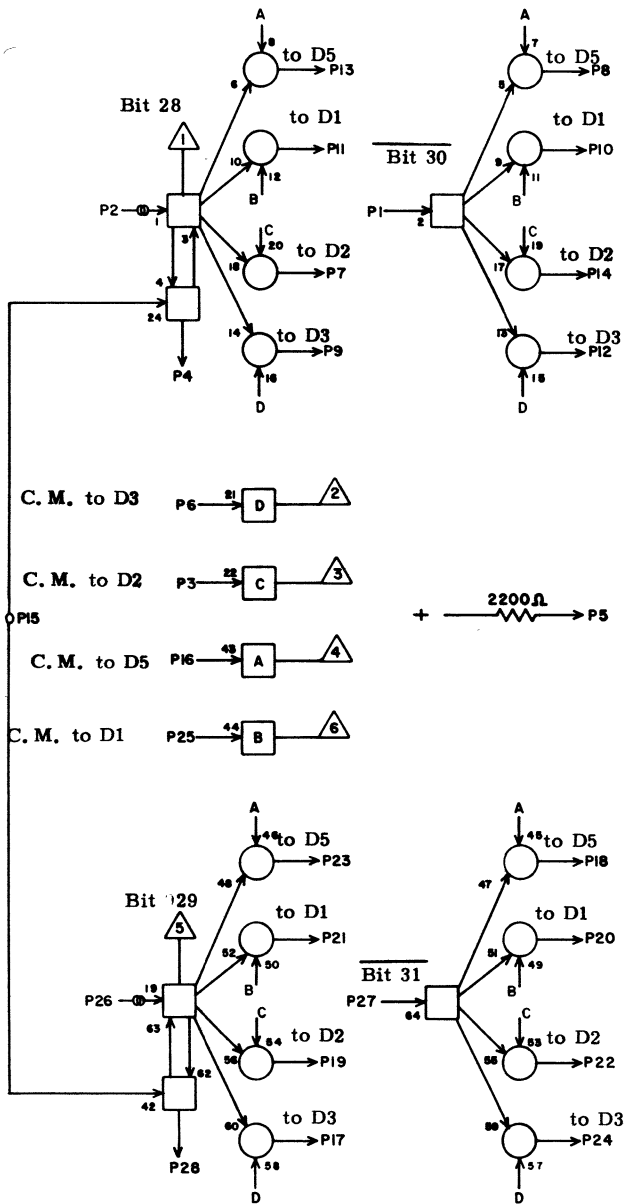
Entry Control: Trunk  
C. M. to D. & Exchange Jump



RA		7C38	
1	C37	4	3
2	W06	93	
3	A35	21	11
4	C37	1	3
5	C11	13	27
6			
7	C31	4	9
8	J24	11	31
9			
10	J14	4	37
11	J15	4	37
12			
13	J24	1	31
14	C30	4	11
15	B35	23	7
16	C36	8	7
17			
18	J24	4	31
19	C31	28	9
20	J14	28	37
21	J15	28	37
22	C30	28	11
23	J24	18	31
24			
25	A35	8	13
26	W06	94	
27	C37	28	3
28	C37	27	3
	JACK	PIN	LG

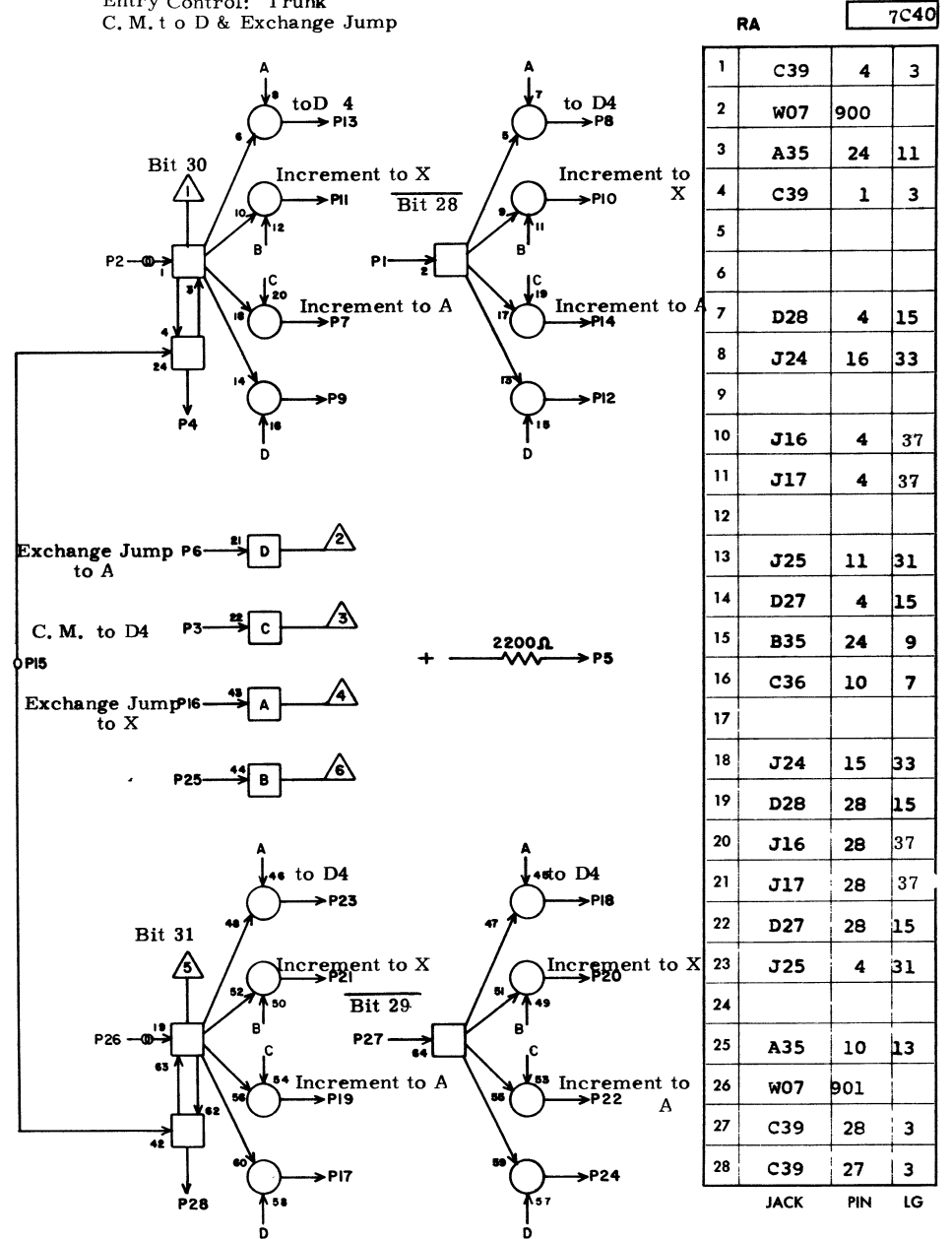


Entry Control: Trunk  
C. M. to D & Exchange Jump

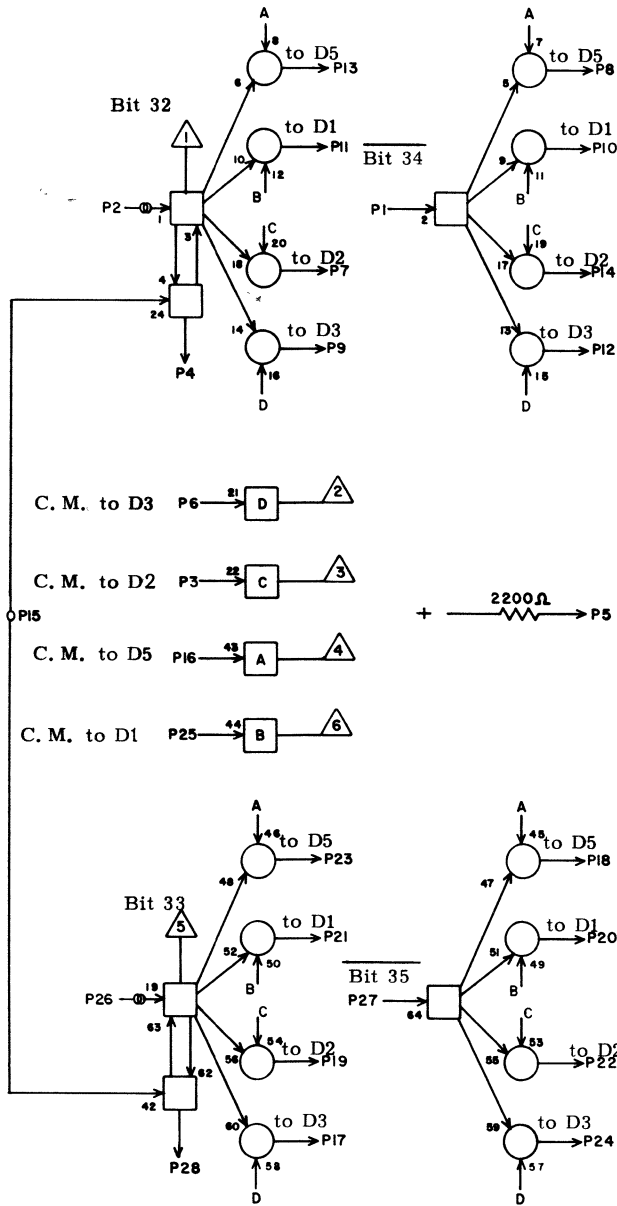


RA 7C39			
JACK	PIN	LG	
1	C40	4	3
2	W06	95	
3	B36	10	9
4	C40	1	3
5			
6	B36	24	9
7	E24	16	19
8	C25	11	15
9	F24	16	21
10	D25	11	15
11	D24	16	17
12	F25	11	19
13	C24	16	17
14	E25	11	19
15	B35	26	9
16	A36	10	13
17	F24	15	21
18	C25	4	15
19	E24	15	19
20	D25	4	17
21	D24	15	17
22	E25	4	19
23	C24	15	19
24	F25	4	19
25	A36	24	11
26	W06	96	
27	C40	28	3
28	C40	27	3

Entry Control: Trunk  
C. M. to D & Exchange Jump

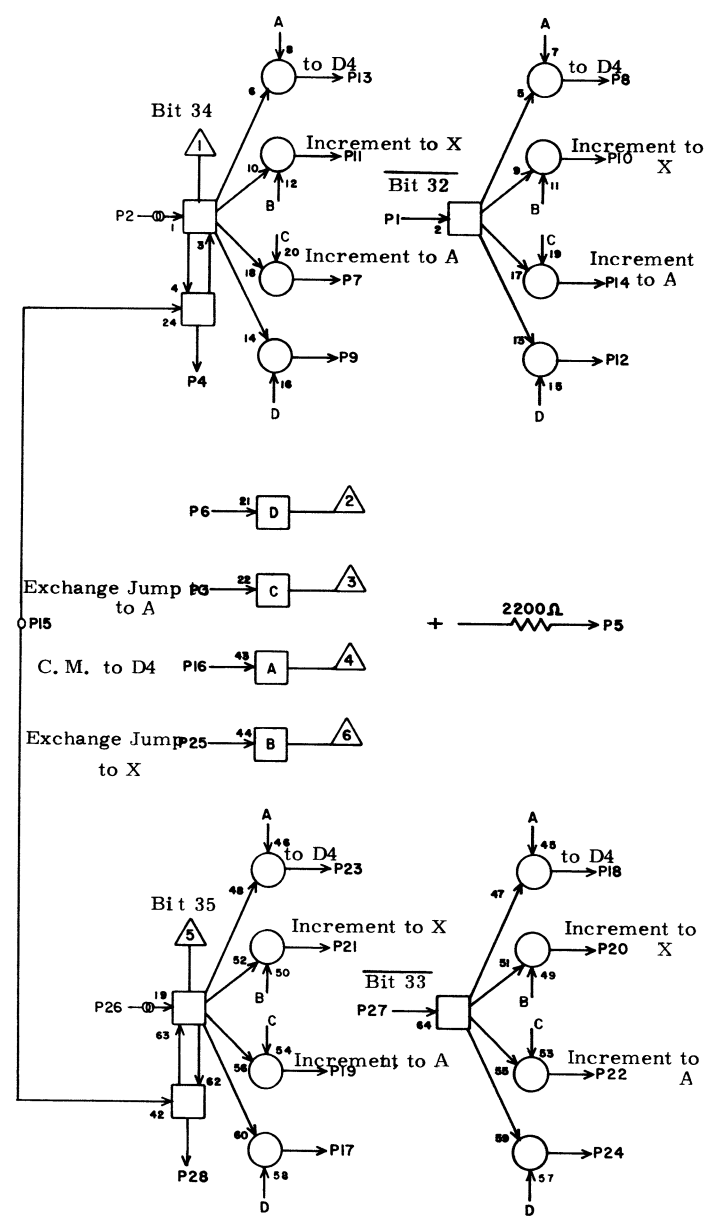


Entry Control: Trunk  
C. M. to D. & Exchange Jump



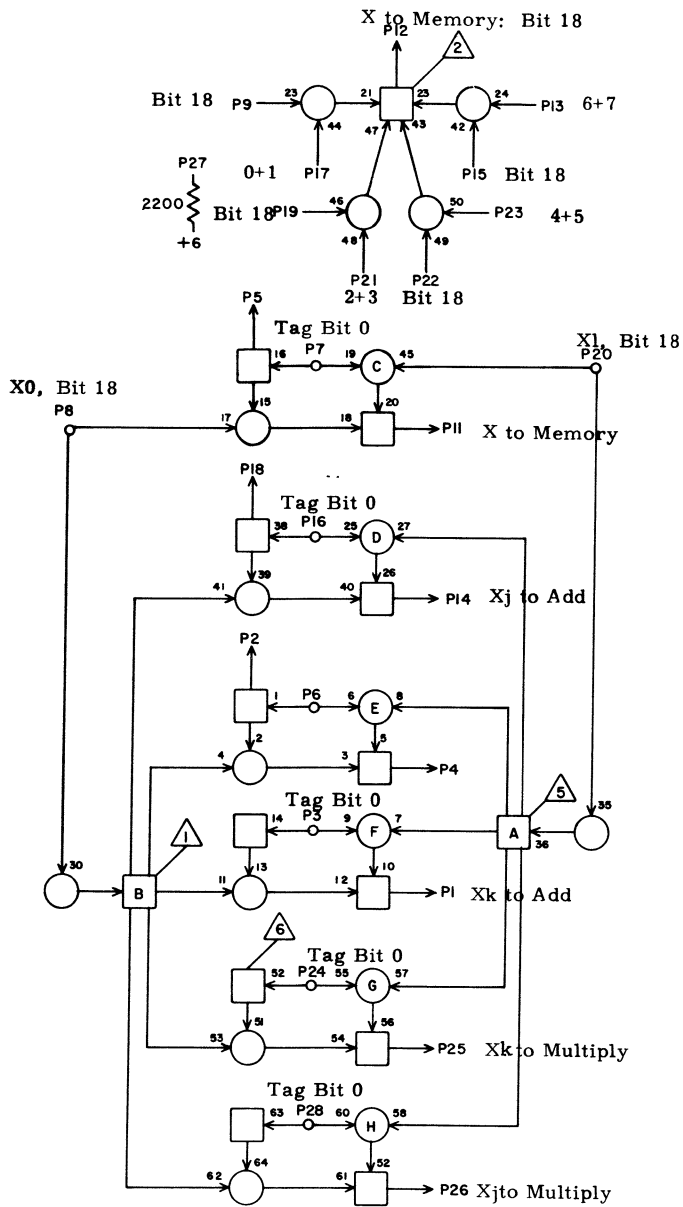
RA		7C41	
JACK	PIN	LG	
1	C42	4	3
2	W07	902	
3	B36	12	9
4	C42	1	3
5			
6	B36	26	9
7	E25	1	19
8	C25	16	17
9	F25	1	21
10	D25	16	17
11	D25	1	17
12	F25	16	21
13	C25	1	17
14	E25	16	19
15	B35	22	9
16	A36	12	13
17	F25	18	21
18	C25	15	17
19	E25	18	19
20	D25	15	17
21	D25	18	19
22	E25	15	19
23	C25	18	17
24	F25	15	21
25	A36	26	13
26	W07	903	
27	C42	28	3
28	C42	27	3

Entry Control: Trunk  
C. M. to D. & Exchange Jump



RA		7C42	
JACK	PIN	LG	
1	C41	4	3
2	W07	904	
3	A35	26	13
4	C41	1	3
5			
6			
7	D30	4	15
8	J25	1	31
9			
10	J18	4	37
11	J19	4	37
12			
13	J25	16	31
14	D29	4	15
15	B35	20	11
16	C36	12	9
17			
18	J25	18	31
19	D30	28	15
20	J18	28	37
21	J19	28	37
22	D29	28	15
23	J25	15	31
24			
25	A35	12	13
26	W07	905	
27	C41	28	3
28	C41	27	3

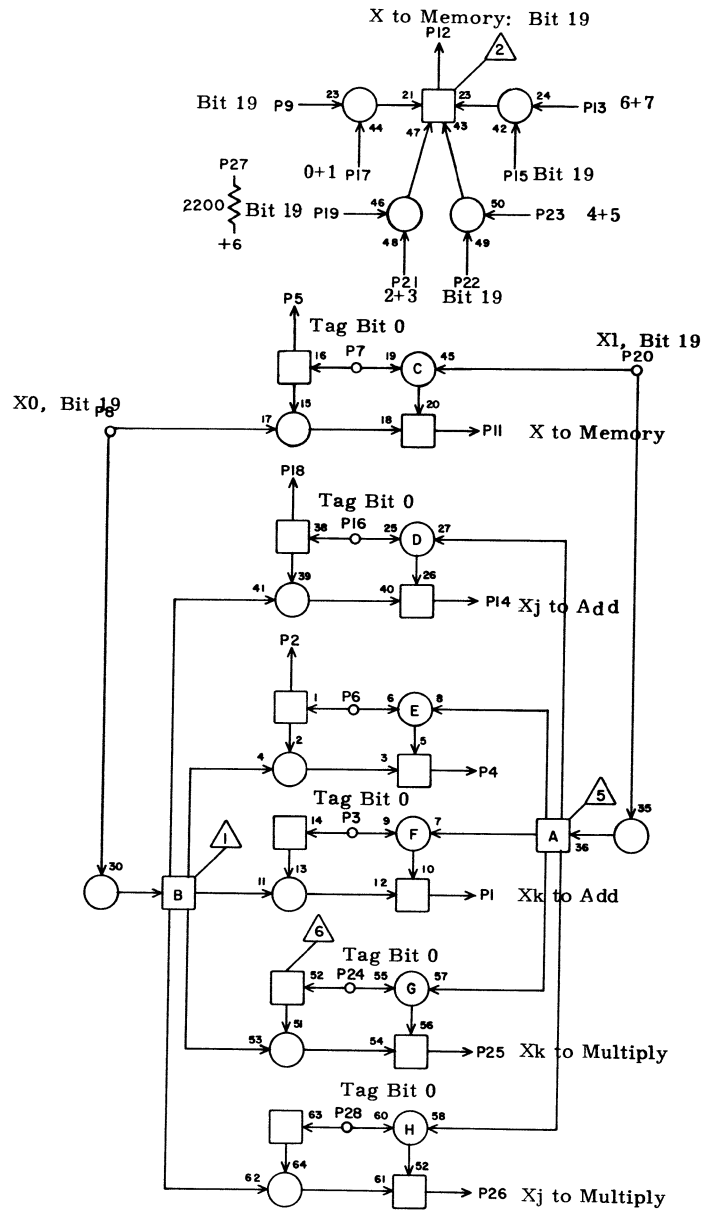
Exit Control: X Registers



RF			
7D1			
1	N37	8	51
2	E 1	28	9
3	E 1	5	7
4			
5	E 1	3	7
6			
7	F 1	10	11
8	C16	26	17
9	D 1	11	3
10			
11	D 1	9	3
12	F32	7	31
13	E10	18	13
14	M 7	9	35
15	P 6	1	45
16	F 2	19	11
17	D10	13	11
18	E 1	24	7
19	I 1	11	21
20	E13	26	15
21	D10	18	11
22	M 7	1	35
23	E10	13	13
24	E 1	18	5
25	H29	8	31
26	J29	8	35
27			
28	E 1	2	5

JACK PIN LG

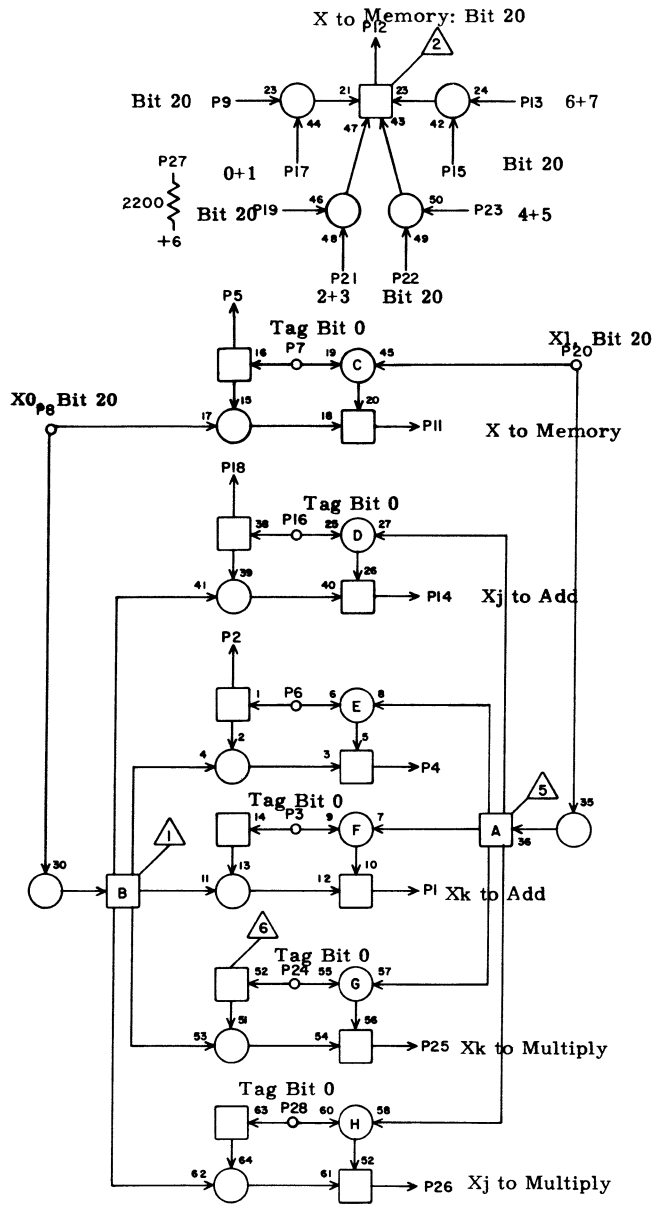
Exit Control: X Registers



RF			
7D 2			
1	N37	22	49
2	E 2	28	9
3	E 2	5	7
4			
5	E 2	3	7
6			
7	F 1	12	11
8	C16	27	17
9	D 2	11	3
10			
11	D 2	9	3
12	F32	19	29
13	E10	28	11
14	M 8	9	35
15	P 7	1	47
16	F 2	17	11
17	D10	1	11
18	E 2	24	7
19	I 2	11	21
20	E13	27	13
21	D10	28	11
22	M 8	1	35
23	E10	1	11
24	E 2	18	5
25	H29	22	29
26	J29	22	35
27			
28	E 2	2	5

JACK PIN LG

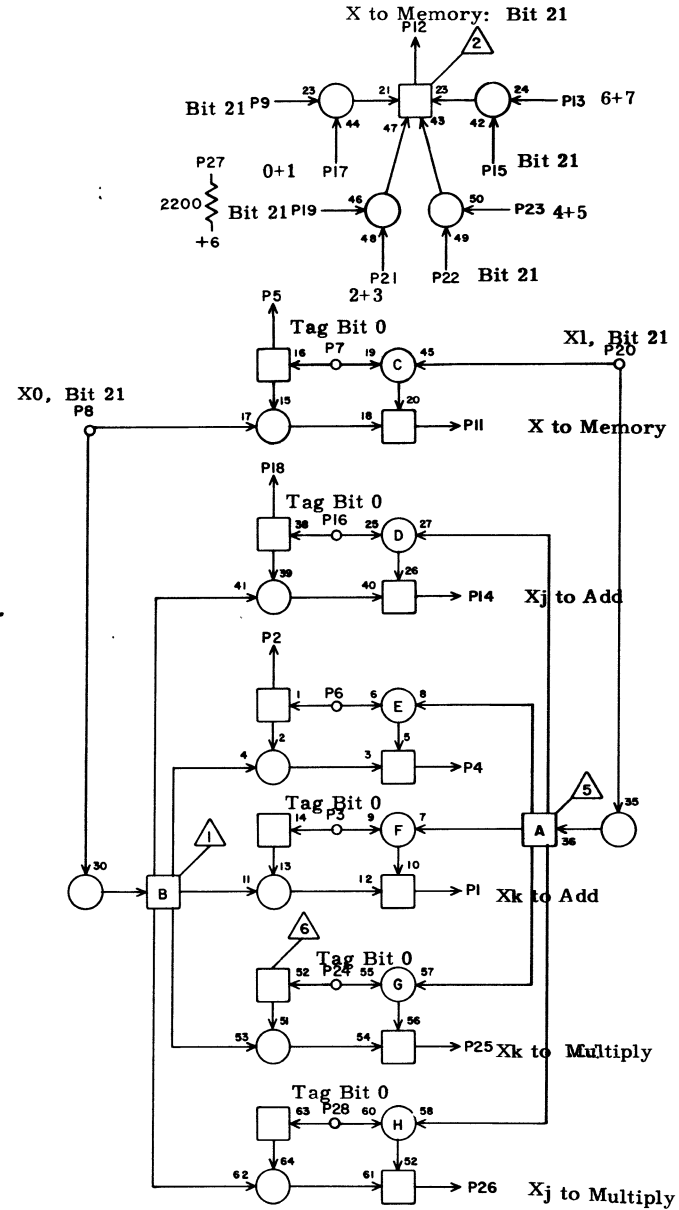
Exit Control: X Registers



RF		7D 3	
1	N37	24	49
2	E 3	28	9
3	E 3	5	7
4			
5	E 3	3	7
6			
7	F 1	2	13
8	C17	11	17
9	D 3	11	3
10			
11	D 3	9	3
12	F32	28	29
13	E10	21	11
14	M 9	9	35
15	P 8	1	47
16	F 2	27	11
17	D10	8	9
18	E 3	24	7
19	I 3	11	21
20	E14	11	13
21	D10	21	9
22	M 9	1	35
23	E10	8	11
24	E 3	18	5
25	H29	24	29
26	J29	24	37
27			
28	E 3	2	5
	JACK	PIN	LG

63017300 Rev. D

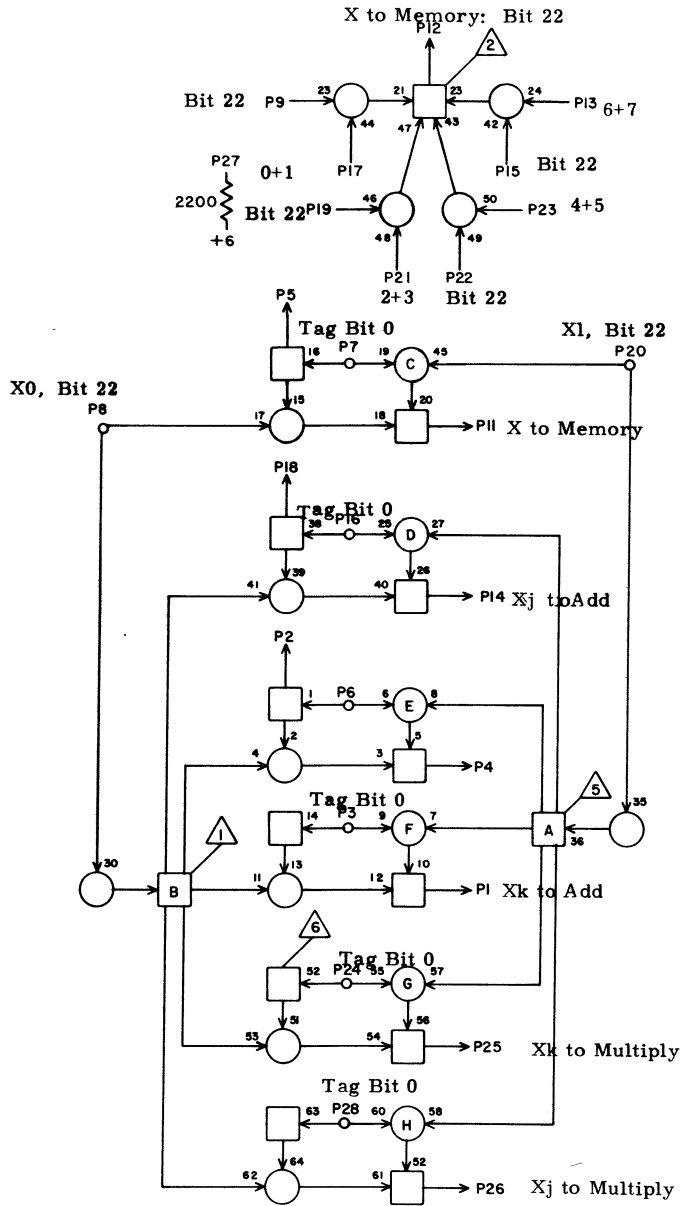
Exit Control: X Registers



RF		7D 4	
1	N38	8	51
2	E 4	28	9
3	E 4	5	7
4			
5	E 4	3	7
6			
7	F 1	25	13
8	C17	16	15
9	D 4	11	3
10			
11	D 4	9	3
12	F33	7	29
13	E10	19	11
14	M10	9	35
15	P 9	1	47
16	F 3	15	13
17	D10	10	9
18	E 4	24	7
19	I 4	11	21
20	E14	16	13
21	D10	19	9
22	M10	1	35
23	E10	10	9
24	E 4	18	5
25	H30	8	31
26	J30	8	35
27			
28	E 4	2	5
	JACK	PIN	LG

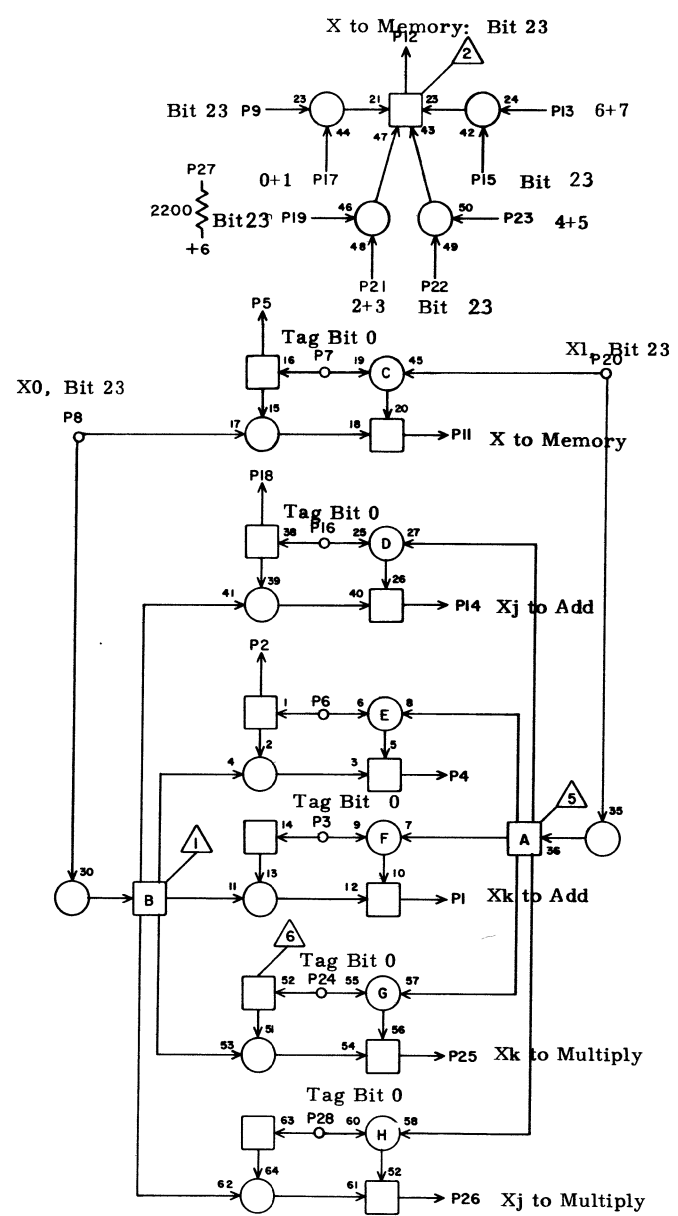
63017300 Rev. D

Exit Control: X Registers



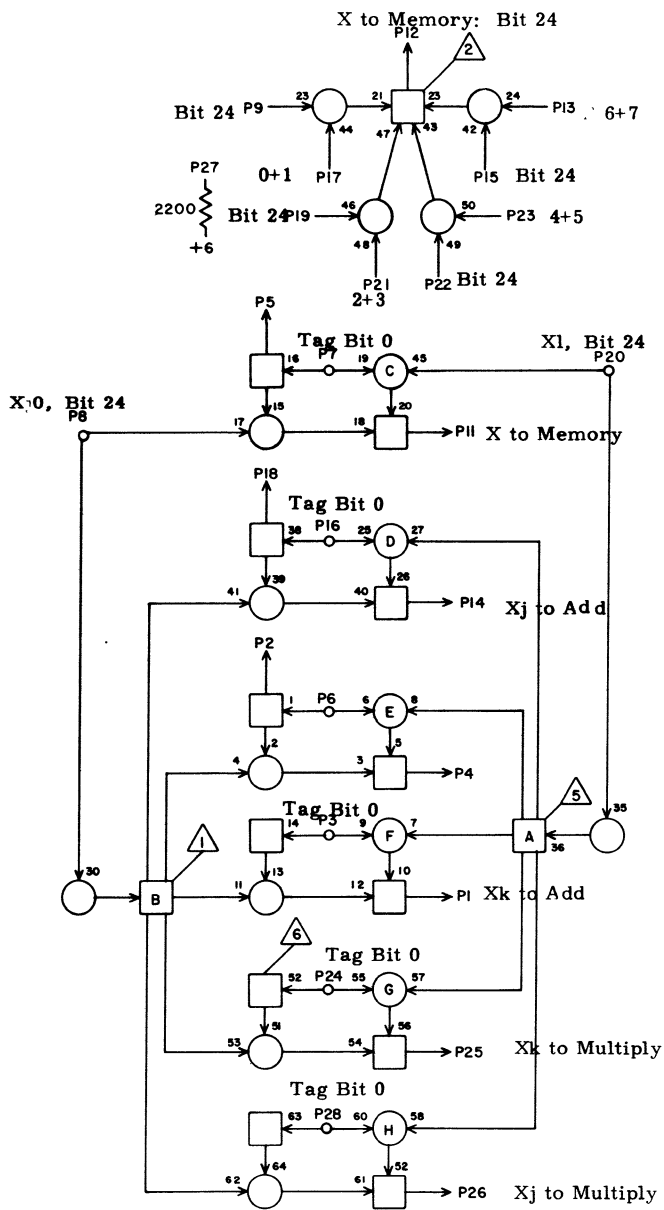
RF		7D 5	
JACK	PIN	LG	
1	N38	22	51
2	E 5	28	9
3	E 5	5	7
4			
5	E 5	3	7
6			
7	F 1	23	13
8	C17	26	15
9	D 5	11	3
10			
11	D 5	9	3
12	F33	19	29
13	E10	17	9
14	M11	9	37
15	P10	1	47
16	F 3	7	11
17	D10	12	9
18	E 5	24	7
19	I 5	11	21
20	E14	26	13
21	D10	17	7
22	M11	1	37
23	E10	12	9
24	E 5	18	5
25	H30	22	29
26	J30	22	35
27			
28	E 5	2	5

Exit Control: X Registers



RF		7D 6	
JACK	PIN	LG	
1	N38	24	51
2	E 6	28	9
3	E 6	5	7
4			
5	E 6	3	7
6			
7	F 1	26	13
8	C17	27	13
9	D 6	11	3
10			
11	D 6	9	3
12	F33	28	29
13	E10	27	9
14	M12	9	37
15	P11	1	47
16	F 3	6	11
17	D10	2	5
18	E 6	24	7
19	I 6	11	21
20	E14	27	13
21	D10	27	5
22	M12	1	35
23	E10	2	5
24	E 6	18	5
25	H30	24	29
26	J30	24	33
27			
28	E 6	2	5

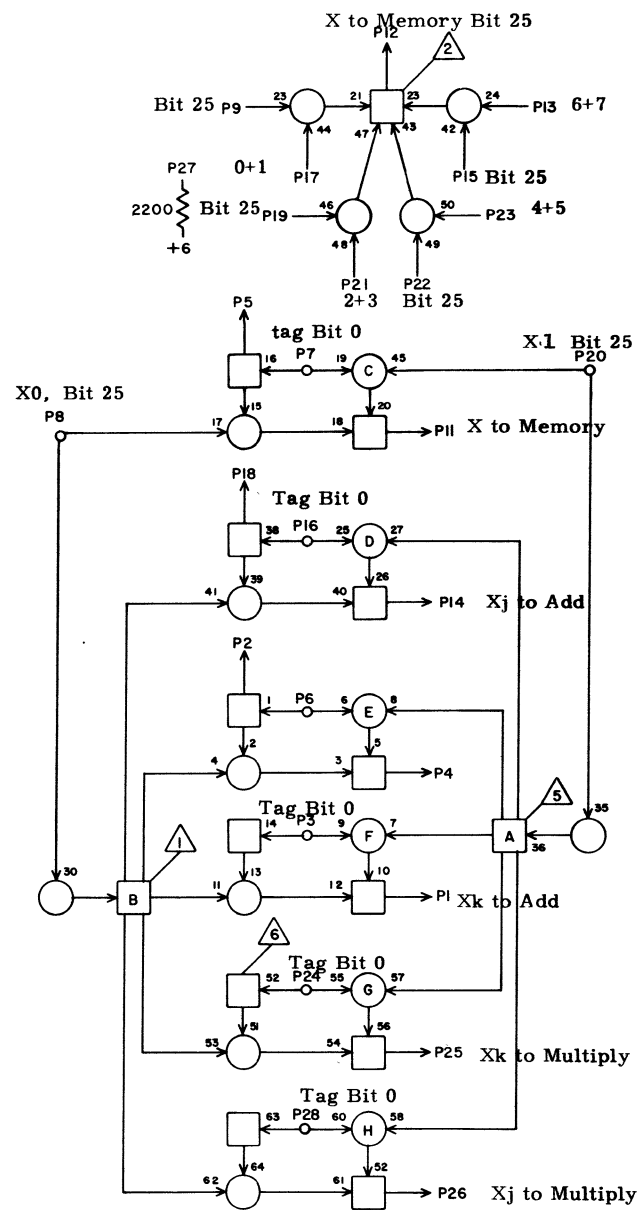
Exit Control: X Registers



RF		7D7	
1	N39	8	49
2	E 7	28	11
3	E 7	5	7
4			
5	E 7	3	7
6			
7	F 1	24	13
8	D12	11	9
9	D 7	11	3
10			
11	D 7	9	3
12	F34	7	29
13	F10	25	13
14	N 1	9	39
15	P12	1	45
16	F 3	4	11
17	F 9	15	11
18	E 7	24	7
19	I 7	11	21
20	E15	11	11
21	F 9	25	11
22	N 1	11	39
23	F10	15	11
24	E 7	18	5
25	H31	8	29
26	J31	8	33
27			
28	E 7	2	5
	JACK	PIN	LG

63017300 Rev. D.

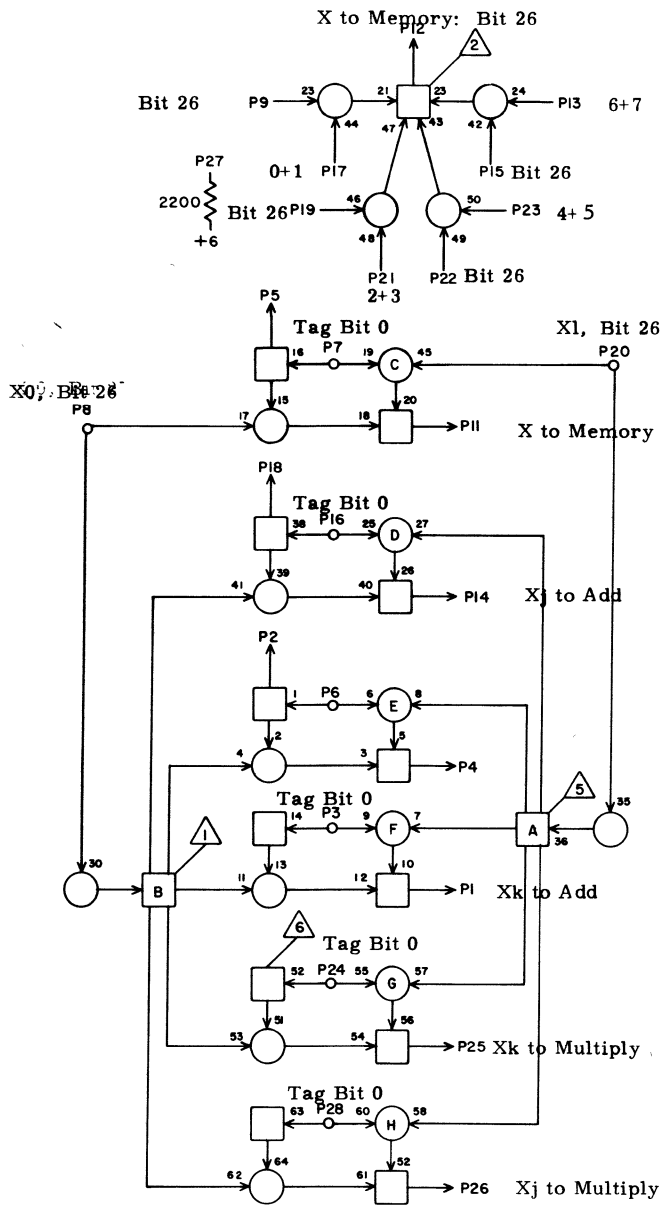
Exit Control: X Registers



RF		7D8	
1	N39	22	49
2	E 8	28	11
3	E 8	5	7
4			
5	E 8	3	7
6			
7	F 1	22	15
8	D12	16	7
9	D 8	11	3
10			
11	D 8	9	3
12	F34	19	29
13	F10	23	11
14	N 2	9	39
15	P13	1	45
16	F 3	9	11
17	F 9	7	11
18	E 8	24	7
19	I 8	11	21
20	E15	16	11
21	F 9	23	11
22	N 2	11	39
23	F10	7	11
24	E 8	18	5
25	H31	22	29
26	J31	22	33
27			
28	E 8	2	5
	JACK	PIN	LG

63017300 Rev. D.

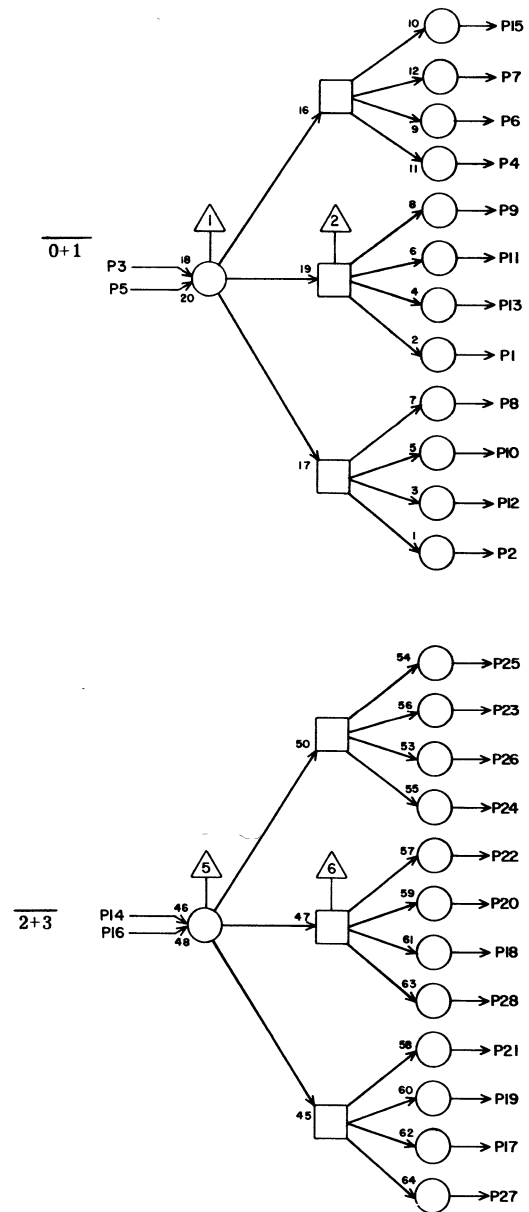
Exit Control: X Registers



RF 7D9

1	N39	24	49
2	E 9	28	11
3	E 9	5	7
4			
5	E 9	3	7
6			
7	F 1	20	13
8	D12	26	7
9	D 9	11	3
10			
11	D 9	9	3
12	F34	28	25
13	F10	26	11
14	N 3	9	39
15	Q 1	11	49
16	F 3	11	11
17	F 9	6	11
18	E 9	24	7
19	I 9	11	21
20	E15	26	11
21	F 9	26	11
22	N 3	11	39
23	F10	6	11
24	E 9	18	5
25	H31	24	28
26	J31	24	33
27			
28	E 9	2	5
	JACK	PIN	LG

Exit Control  
X to Memory

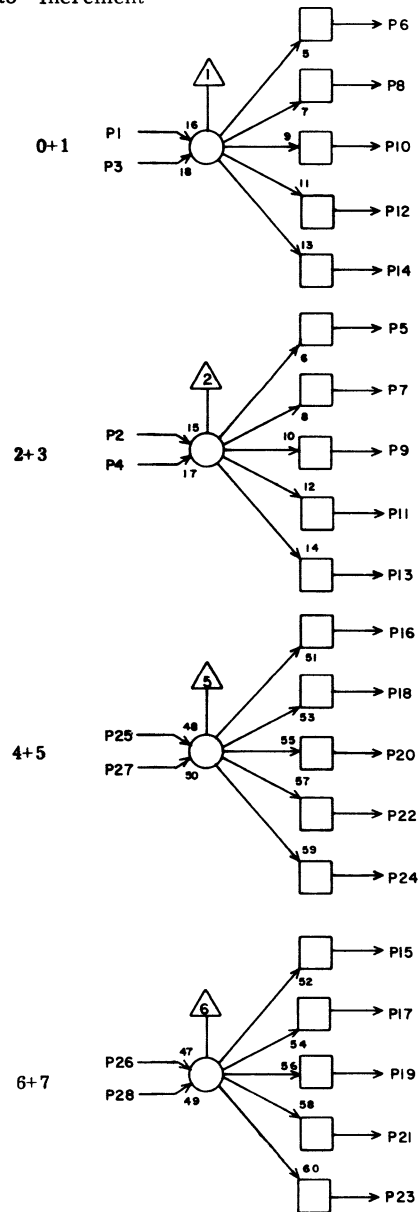


7D10

TC 7D10

1	D 2	17	11
2	D 6	17	5
3	K 9	8	29
4	C 7	17	7
5	GND	X	2
6	C 6	17	9
7	C 5	17	9
8	D 3	17	9
9	C 8	17	7
10	D 4	17	9
11	C 9	17	5
12	D 5	17	9
13	D 1	17	11
14	K 9	9	29
15	C 4	17	11
16	GND	X	2
17	D 5	21	7
18	D 1	21	11
19	D 4	21	9
20	C 9	21	7
21	D 3	21	9
22	C 8	21	9
23	C 5	21	11
24	C 7	21	9
25	C 4	21	11
26	C 6	21	9
27	D 6	21	5
28	D 2	21	11
	JACK	PIN	LG

Exit Control  
Aj to Increment



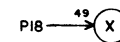
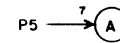
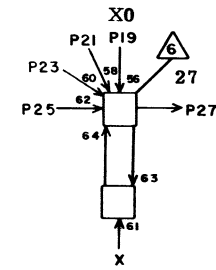
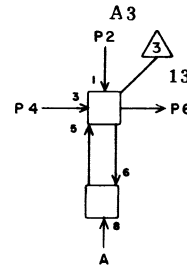
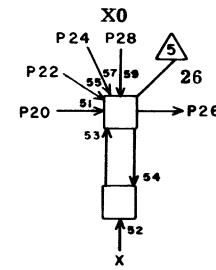
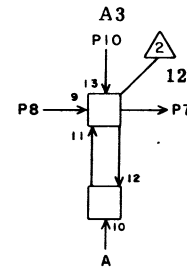
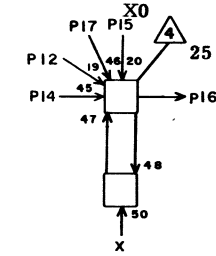
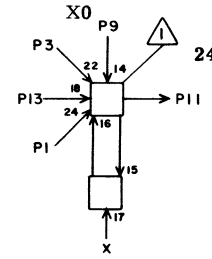
T D 7D11

1	E11	15	9
2	E11	13	9
3	GND	X	2
4	GND	X	2
5	C26	25	19
6	C26	5	19
7	C11	16	5
8	C11	28	5
9			
10			
11			
12			
13			
14			
15	C32	25	23
16	C32	5	23
17	C33	28	23
18	C33	1	23
19			
20			
21			
22			
23			
24			
25	E11	9	9
26	E11	12	9
27	GND	X	2
28	GND	X	2

JACK PIN LG

63017300 Rev. D

Operating Registers



R D 7D12

1	GND	X	2
2	GND	X	2
3	K38	8	39
4	D28	17	17
5	E18	21	11
6	A31	25	23
7	A31	7	23
8	D28	7	17
9	J14	11	25
10	GND	X	2
11	D 7	8	9
12	E37	23	27
13	E37	13	27
14	GND	X	2
15	J14	23	25
16	D 8	8	7
17	K38	18	39
18	D18	8	9
19	J14	18	25
20	GND	X	2
21	K38	23	39
22	E37	8	27
23	E37	18	27
24	K38	13	39
25	GND	X	2
26	D 9	8	7
27	E 1	20	13
28	J14	8	25

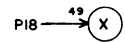
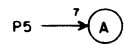
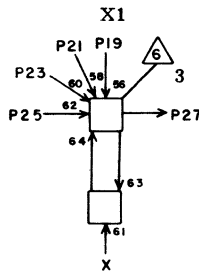
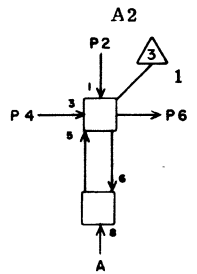
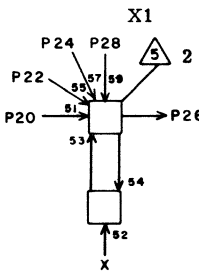
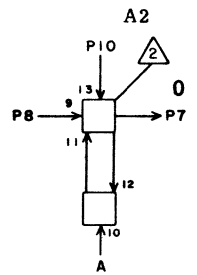
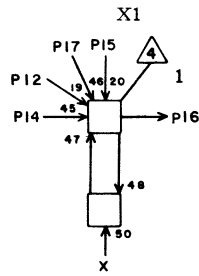
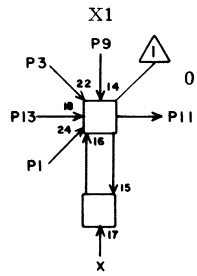
JACK PIN LG

63017300 Rev. D





Operating Registers



RD

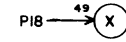
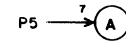
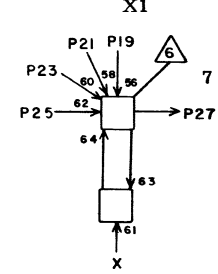
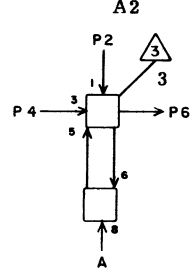
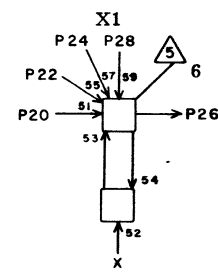
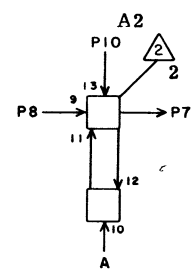
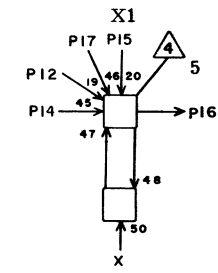
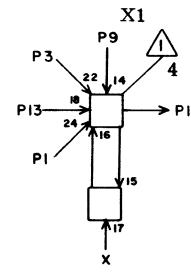
7D15

1	D20	6	7
2	GND	X	2
3	H37	11	29
4	C27	19	15
5	E18	2	9
6	A23	20	17
7	A23	4	17
8	C27	5	15
9	H12	9	19
10	GND	X	2
11	B 1	20	17
12	D34	21	21
13	D34	11	21
14	D20	5	9
15	H12	21	19
16	B 2	20	17
17	H37	21	29
18	D18	16	5
19	H12	20	19
20	D20	2	9
21	H37	20	27
22	D34	10	21
23	D34	20	21
24	H37	10	27
25	D20	7	9
26	B 3	20	15
27	B 4	20	15
28	H12	10	19

JACK PIN LG

63017300 Rev. M

Operating Registers



RD

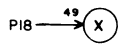
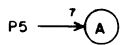
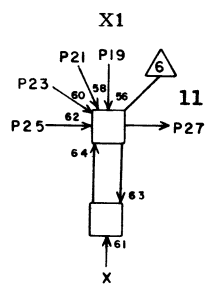
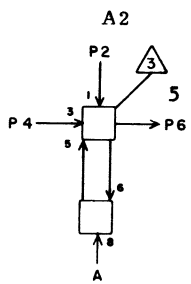
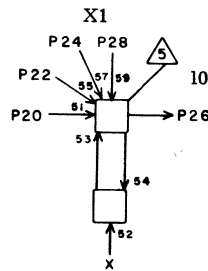
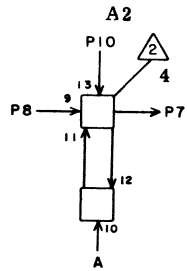
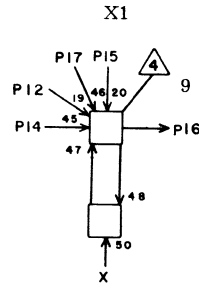
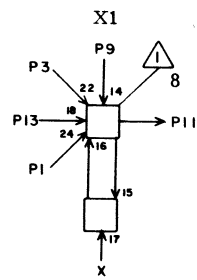
7D16

1	D20	9	7
2	GND		2
3	H39	11	27
4	C27	22	15
5	E18	4	7
6	A24	20	19
7	A24	4	17
8	C27	14	15
9	H14	9	19
10	GND		2
11	B 5	20	15
12	D36	21	21
13	D36	11	21
14	D20	12	5
15	H14	21	19
16	B 6	20	15
17	H39	21	27
18	D18	18	5
19	H14	20	19
20	D21	6	9
21	H39	20	27
22	D36	10	21
23	D36	20	21
24	H39	10	27
25	D21	5	9
26	B 7	20	15
27	B 8	20	13
28	H14	10	19

JACK PIN LG

63017300 Rev. D

Operating Register



RD 7D17

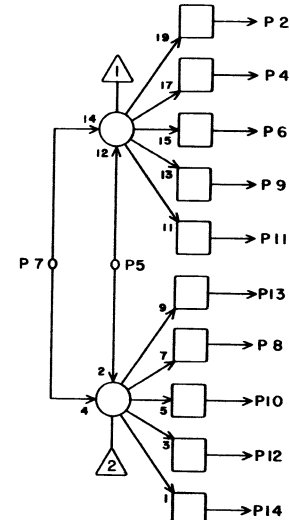
1	D21	2	5
2	GND		2
3	H41	11	29
4	C29	19	15
5	E18	6	7
6	A25	20	19
7	A25	4	19
8	C29	5	17
9	H17	9	19
10	GND		2
11	B 9	20	15
12	D38	21	21
13	D38	11	21
14	D21	7	7
15	H17	21	19
16	C 1	8	17
17	H41	21	29
18	D18	20	3
19	H17	20	19
20	D21	9	7
21	H41	20	29
22	D38	10	21
23	D38	20	21
24	H41	10	29
25	D21	12	5
26	C 2	8	17
27	C 3	8	17
28	H17	10	19

JACK PIN LG

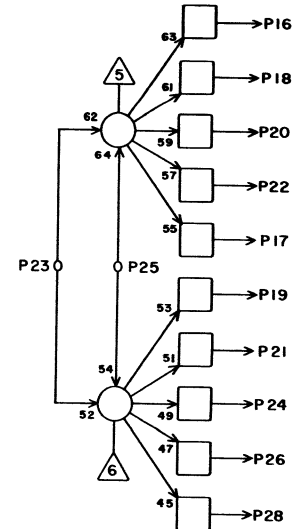
63017300 Rev. D

Entry Control

Clear X 0



Clear X 1



HC 7D 18

1			
2	C12	18	11
3			
4	C13	18	9
5	E20	24	9
6	C14	18	9
7	I17	2	21
8	D12	18	9
9	C15	18	9
10	D13	18	7
11	C16	18	9
12	D14	18	7
13	C17	18	7
14			
15			
16	D15	18	5
17	E13	18	9
18	D16	18	5
19	E14	18	9
20	D17	18	3
21	E15	18	9
22	E12	18	9
23	I17	4	21
24	E16	18	7
25	E21	24	7
26	E17	18	7
27			
28			

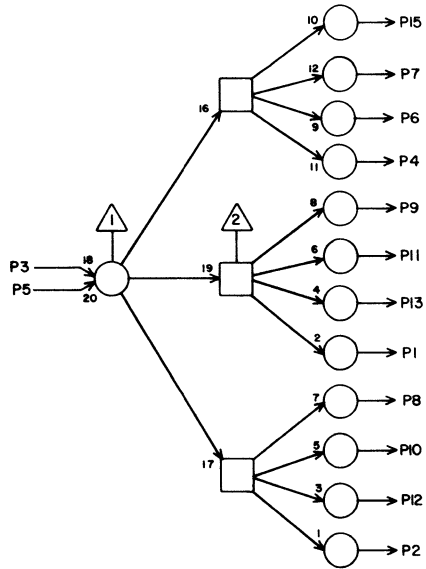
JACK PIN LG

63017300 Rev. D.

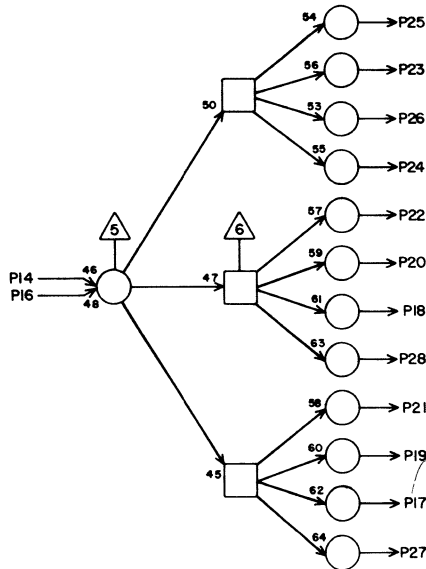
7D18

Entry Control

D5 to X5



D1 to X1



TC

7 D19

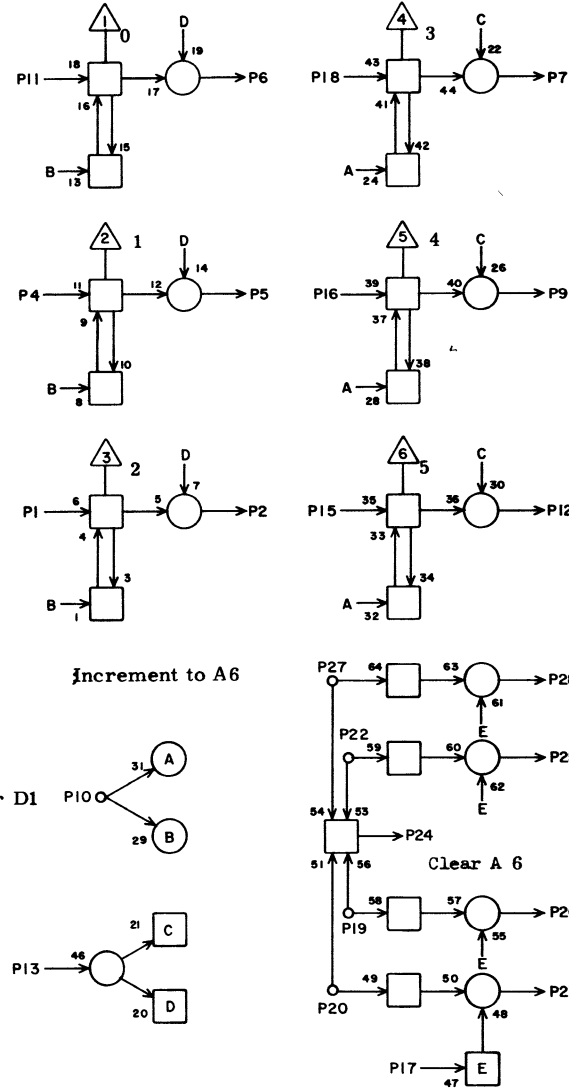
1			
2			
3	J21	28	29
4			
5	GND		2
6			
7	C21	13	7
8	C24	13	9
9	C22	13	7
10	C25	13	9
11	C23	13	9
12			
13			
14	E21	28	9
15	C20	13	7
16	GND		2
17			
18			
19	D25	13	9
20	D23	13	7
21	D24	13	7
22	D22	13	5
23	D21	13	5
24			
25	D20	13	3
26			
27			
28			

JACK PIN LG

63017300 Rev. D

Entry Control

Register D1



RE

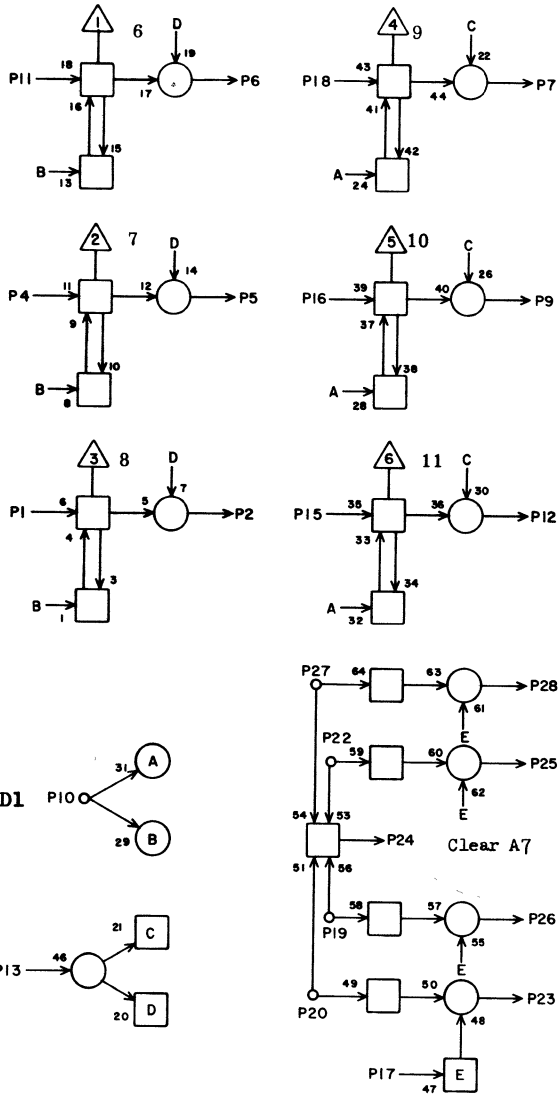
7 D20

1	A37	10	23
2	D15	20	9
3			
4	A37	21	23
5	D15	14	9
6	D15	1	7
7	D15	25	9
8			
9	D16	1	7
10	C19	16	5
11	A37	11	23
12	D16	14	5
13	D19	25	3
14			
15	A39	21	23
16	A39	11	25
17	I18	18	23
18	A37	20	23
19			
20			
21			
22			
23			
24	B11	5	15
25			
26			
27	H27	2	19
28	E29	25	13

JACK PIN LG

63017300 Rev. D

Entry Control Register D1

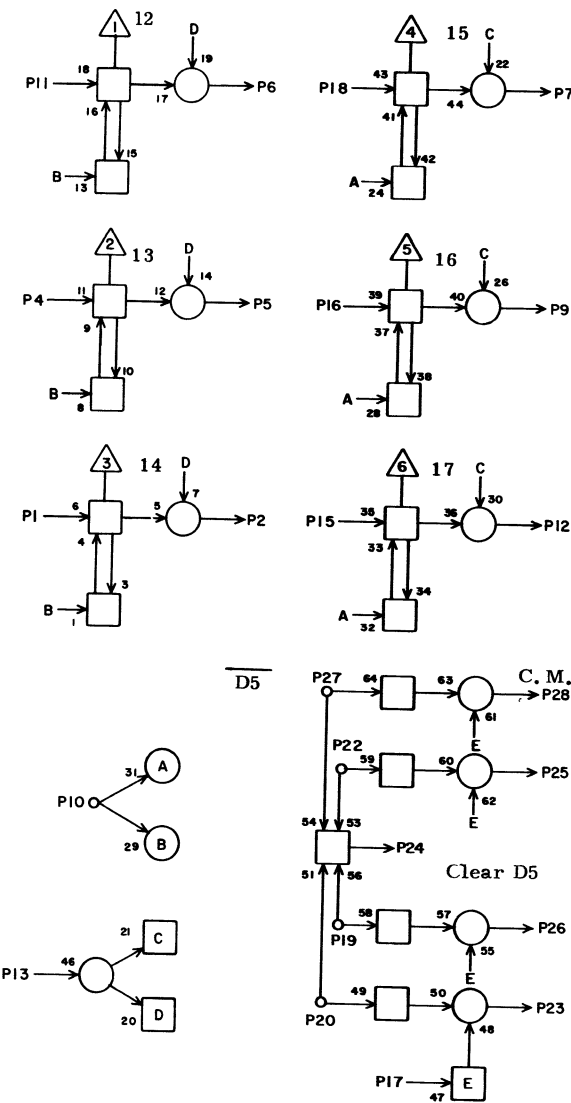


RE 7D21

1	A41	11	25
2	D17	1	5
3			
4	A39	20	25
5	D16	25	9
6	D16	20	9
7	D17	14	7
8			
9	D17	20	7
10	C19	18	5
11	A39	10	25
12	D17	25	5
13	D19	23	5
14			
15	A41	20	25
16	A41	10	25
17	I18	28	23
18	A41	21	25
19			
20			
21			
22			
23			
24	B11	25	15
25			
26			
27	H27	14	19
28	E29	26	13

JACK PIN LG

Entry Control Register D1



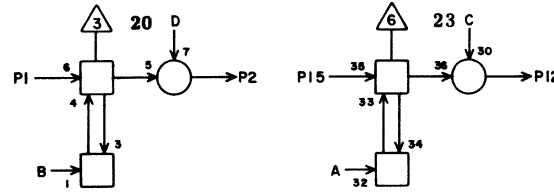
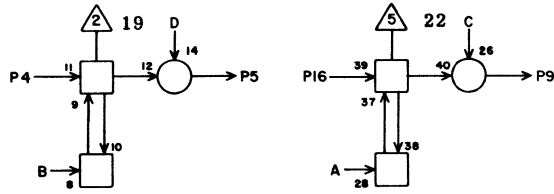
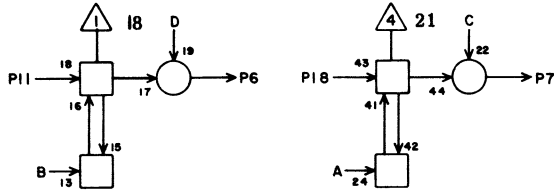
RE 7D22

1	B37	10	19
2	E12	20	13
3			
4	B37	21	19
5	E12	14	13
6	E12	1	13
7	E12	25	13
8			
9	E13	1	13
10	C19	20	9
11	B37	11	19
12	E13	14	13
13	D19	22	5
14			
15	B39	21	21
16	B39	11	21
17	I18	15	23
18	B37	20	19
19			
20			
21			
22			
23			
24	C19	5	9
25			
26			
27	G28	10	15
28	A36	5	23

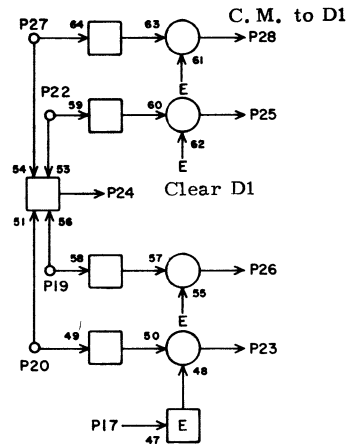
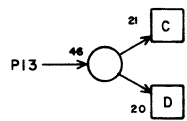
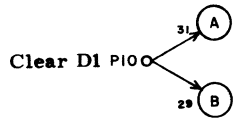
JACK PIN LG

Entry Control Register D1

RE 7D 23



D1

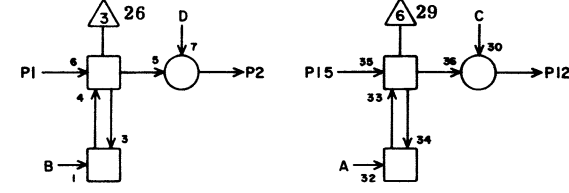
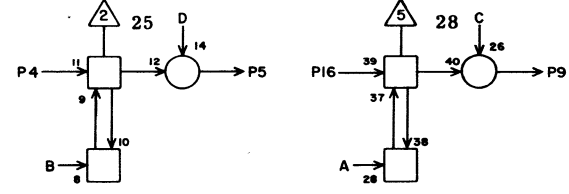
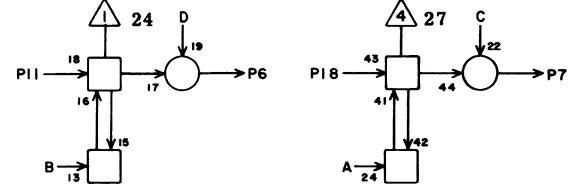


1	B41	11	23
2	E14	1	13
3			
4	B34	20	21
5	E13	25	13
6	E13	20	13
7	E14	14	13
8			
9	E14	20	13
10	C19	19	9
11	B39	10	21
12	E14	25	13
13	D19	20	7
14			
15	B41	20	21
16	B41	10	23
17	I18	7	21
18	B41	21	21
19			
20			
21			
22			
23			
24	C19	25	7
25			
26			
27	G28	8	15
28	A36	25	23

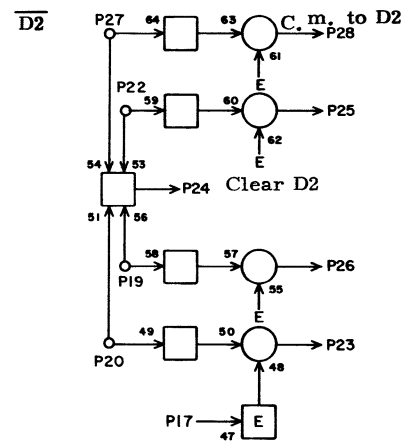
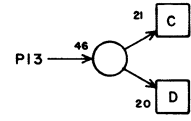
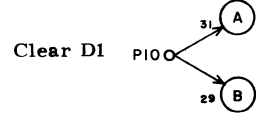
JACK PIN LG

Entry Control Register D1

RE 7D 24



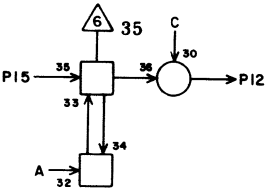
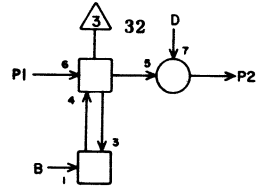
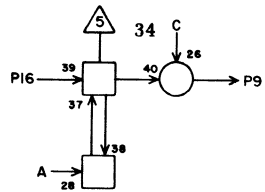
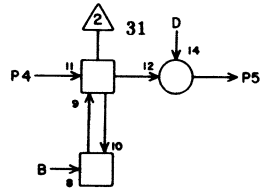
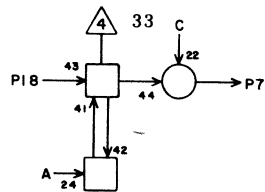
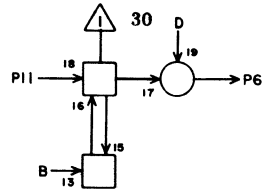
D2



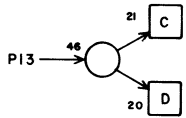
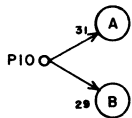
1	C37	10	15
2	E15	20	13
3			
4	C37	21	15
5	E15	14	13
6	E15	1	13
7	E15	25	13
8			
9	E16	1	13
10	C19	21	9
11	C37	11	15
12	E16	14	13
13	D19	21	7
14			
15	C39	21	17
16	C39	11	17
17	I18	6	21
18	C37	20	15
19			
20			
21			
22			
23			
24	E19	5	7
25			
26			
27	G28	6	15
28	B36	5	19

JACK PIN LG

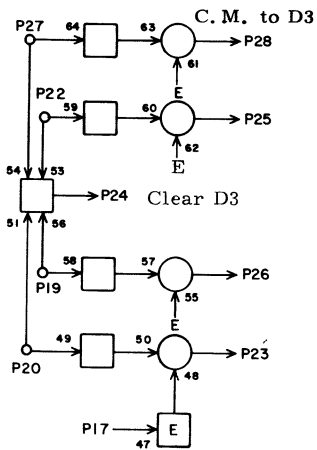
Entry Control Register D1



Clear D1



D3

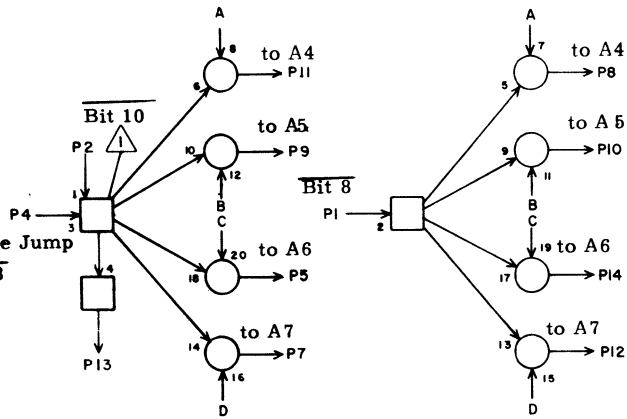


RE 7D 25

1	C41	11	17
2	E17	1	11
3			
4	C39	20	17
5	E16	25	13
6	E16	20	13
7	E17	14	11
8			
9	E17	20	11
10	C19	24	9
11	C39	10	15
12	E17	25	11
13	D19	19	9
14			
15	C41	20	17
16	C41	10	17
17	I18	4	23
18	C41	21	19
19			
20			
21			
22			
23			
24	E19	25	9
25			
26			
27	G28	2	15
28	B36	25	17

JACK PIN LG

Entry Control  
Increment to A

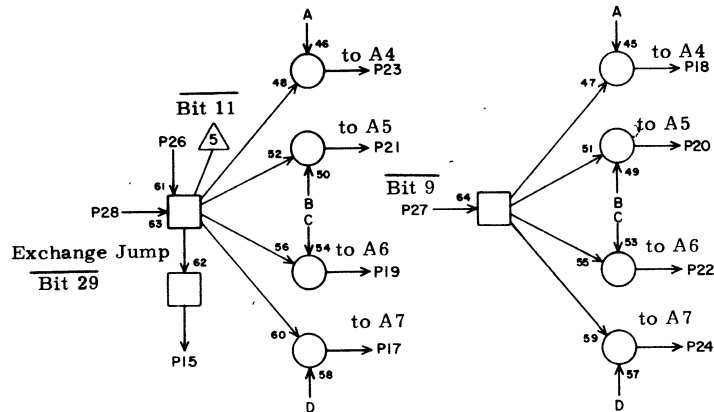


Increment to A7 P 6 → → 2

Increment to A6 P 3 → → 3

Increment to A4 P 16 → → 4

Increment to A5 P 2 5 → → 6



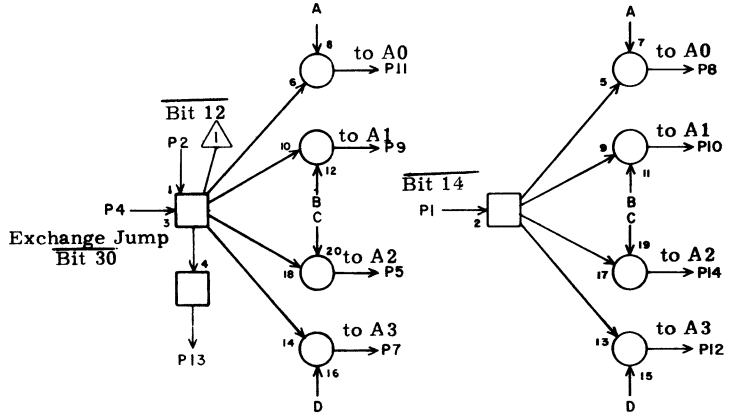
RC 7D 27

1	C31	13	9
2	F42	10	19
3	E29	20	9
4	C40	14	15
5	A 8	20	25
6	E29	19	9
7	A11	20	21
8	A 2	4	29
9	A 5	20	27
10	A 5	4	27
11	A 2	20	29
12	A11	4	23
13	C31	1	9
14	A 8	4	25
15	C31	27	7
16	E29	10	9
17	A11	25	23
18	A 2	14	29
19	A 8	25	25
20	A 5	14	27
21	A 5	25	27
22	A 8	14	25
23	A 2	25	29
24	A11	14	23
25	E29	9	9
26	F42	20	19
27	C31	15	9
28	C40	22	15

JACK PIN LG

63017300 Rev. D

Entry Control Increment to A

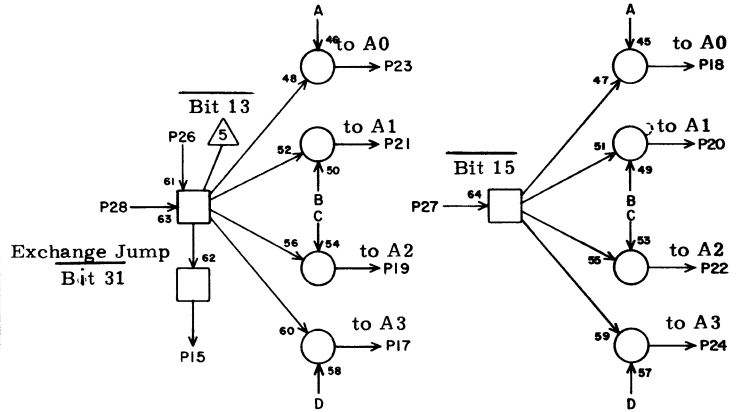


Increment to A3 P 6 → → 2

Increment to A2 P 3 → → 3

Increment to A0 P 16 → → 4

Increment to A1 P 2 5 → → 6



RC 7D 28

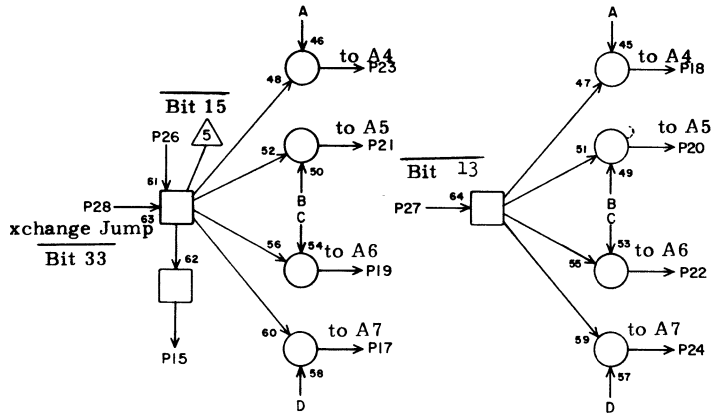
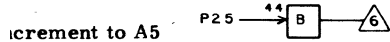
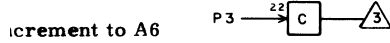
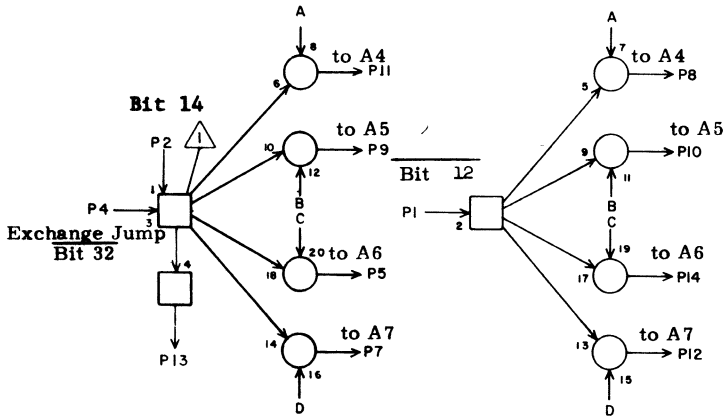
1	D29	13	5
2	G39	11	19
3	E28	22	9
4	C40	7	15
5	E15	8	15
6	E28	21	9
7	D12	8	17
8	G24	8	15
9	G12	8	21
10	G13	8	21
11	G23	8	15
12	D13	8	17
13	D29	1	5
14	E16	8	15
15	D29	27	3
16	E28	12	9
17	D12	4	17
18	G24	4	15
19	E15	4	15
20	G13	4	21
21	G12	4	21
22	E16	4	15
23	G23	4	15
24	D13	4	17
25	E28	11	9
26	G39	21	19
27	D29	15	3
28	C40	19	15

JACK PIN LG

63017300 Rev. D



Entry Control Increment to A



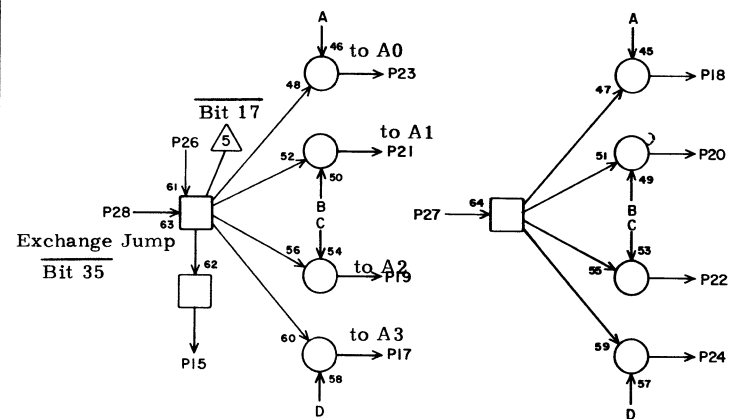
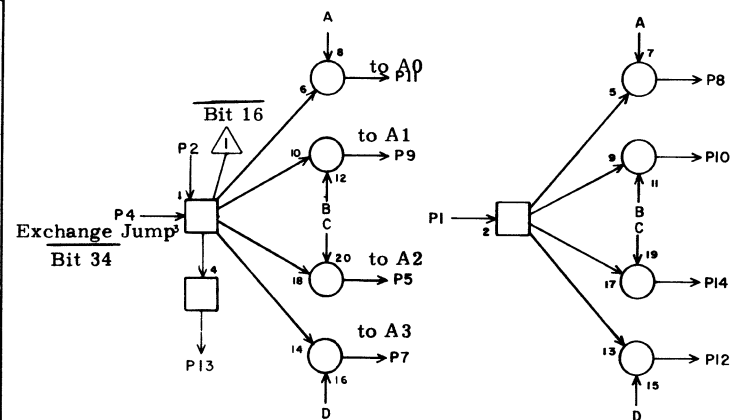
RC 7D 29

1	D28	13	5
2	G39	10	21
3	E29	22	9
4	C42	14	15
5	A 9	4	25
6	E29	21	9
7	A12	4	23
8	A 3	1	29
9	A 6	4	27
10	A 6	1	27
11	A 3	4	29
12	A12	1	23
13	D28	1	5
14	A 9	1	25
15	D28	27	3
16	E29	12	9
17	A12	14	23
18	A 3	8	29
19	A 9	14	25
20	A 6	8	27
21	A 6	14	27
22	A 9	8	25
23	A 3	14	29
24	A12	8	23
25	E29	11	9
26	G39	20	19
27	D28	15	3
28	C42	22	15

JACK PIN LG

63017300 Rev. D

Entry Control Increment to A



RC 7D 30

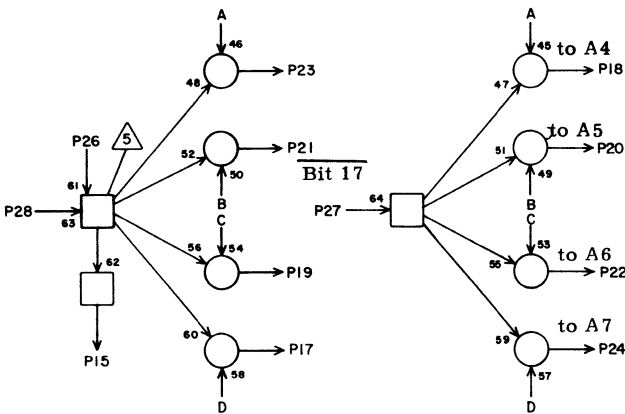
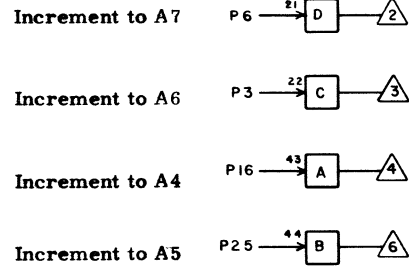
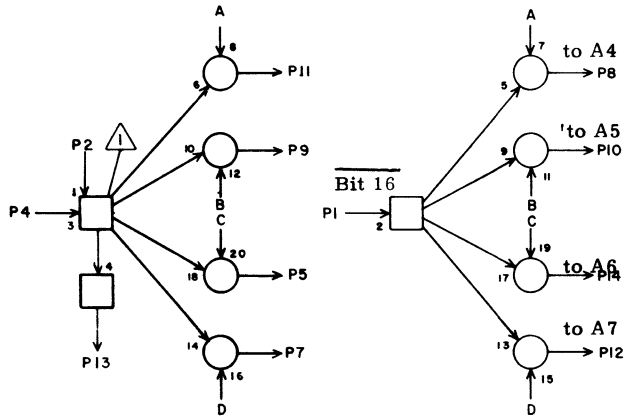
1	D31	13	5
2	G41	11	19
3	E28	24	9
4	C42	7	15
5	E17	8	15
6	E28	23	9
7	D14	8	19
8			
9	G14	8	21
10			
11	G25	8	15
12			
13	D31	1	5
14			
15	D31	27	3
16	E28	14	9
17	D14	4	19
18			
19	E17	4	15
20			
21	G14	4	21
22			
23	G25	4	15
24			
25	E28	13	9
26	G41	21	19
27	D31	15	3
28	C42	19	15

JACK PIN LG

63017300 Rev. D

7D30

Entry Control Increment to A

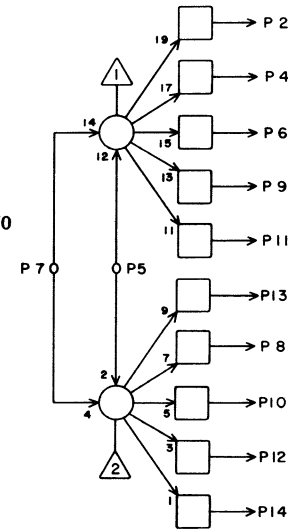


RC 7D 31			
JACK	PIN	LG	
1	D30	13	5
2			
3	E29	24	9
4			
5			
6	E29	23	9
7			
8	A 3	20	31
9			
10	A 6	20	27
11			
12	A12	20	23
13	D30	1	5
14	A 9	20	27
15	D30	27	3
16	E29	14	9
17			
18	A 3	25	31
19			
20	A 6	25	27
21			
22	A 9	25	27
23			
24	A12	25	23
25	E29	13	9
26			
27	D30	15	3
28			

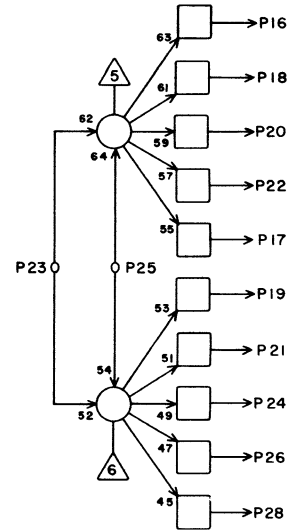
63017300 Rev. D

Entry Control

Multiply to X0



Multiply to X1



HC 7D 32

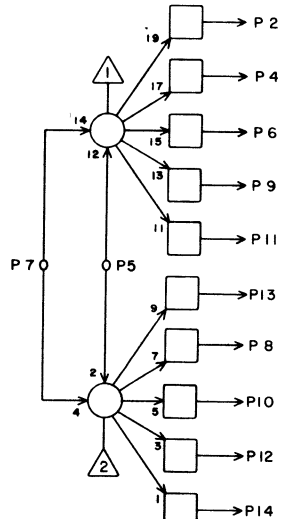
JACK	PIN	LG	
1			
2	D34	16	5
3			
4	D36	16	7
5	E20	23	72
6	D38	16	9
7	gnd		2
8	E37	16	9
9	D40	16	11
10	E39	16	11
11	D42	16	13
12	E41	16	13
13	E35	16	7
14			
15			
16	D34	25	5
17	D42	25	13
18	D36	25	7
19	E35	25	7
20	D38	25	9
21	E37	25	9
22	D40	25	11
23	gnd		2
24	E39	25	11
25	E21	23	72
26	E41	25	13
27			
28			

63017300 Rev. L

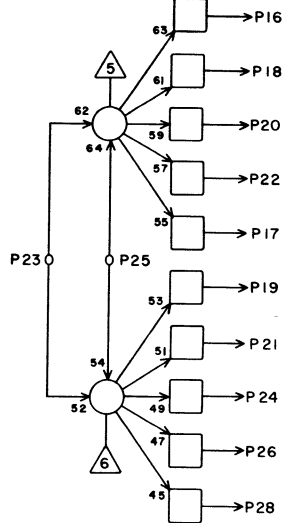
Entry Control

HC 7D 33

Multiply to X2



Multiply to X3

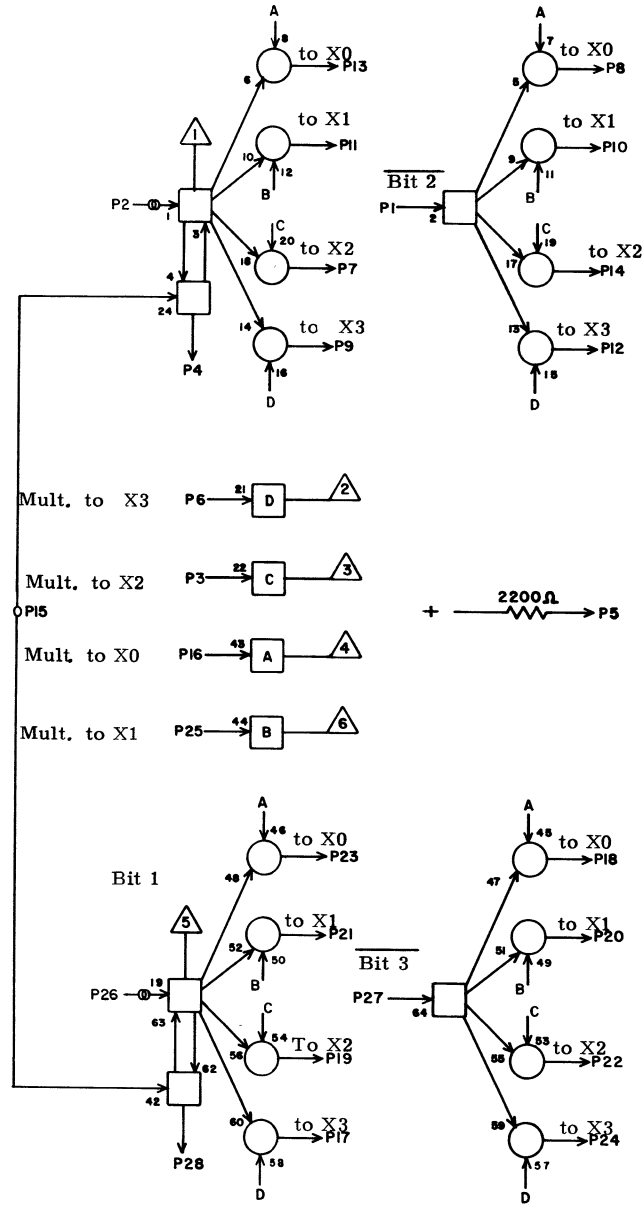


JACK	PIN	LG
1		
2	D34	3 3
3		
4	D36	3 5
5	E22	23 72
6	D38	3 7
7	gnd	2
8	E37	3 9
9	D40	3 9
10	E39	3 9
11	D42	3 13
12	E41	3 13
13	E35	3 7
14		
15		
16	D34	6 5
17	D42	6 13
18	D36	6 5
19	E35	6 5
20	D38	6 7
21	E37	6 9
22	D40	6 9
23	gnd	2
24	E39	6 9
25	E23	23 72
26	E41	6 13
27		
28		

JACK PIN LG

Entry Control: Trunk . Multiply to X

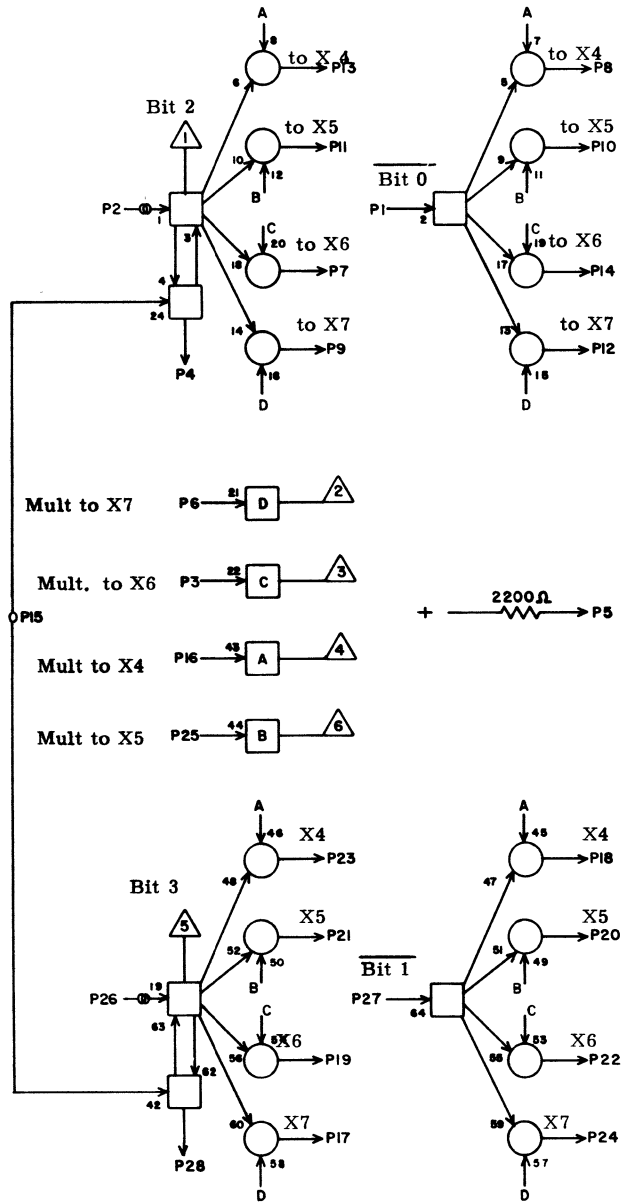
RA 7D 34



JACK	PIN	LG
1	D35	4 3
2	W10	90
3	D33	2 3
4	D35	1 3
5		
6	D33	16 5
7	F12	13 23
8	C12	22 23
9	G15	13 23
10	D15	22 21
11	D15	13 21
12	G15	22 23
13	C12	13 23
14	F12	22 23
15	C35	15 7
16	D32	2 7
17	G15	12 23
18	C12	23 23
19	F12	12 23
20	D15	23 21
21	D15	12 21
22	F12	23 23
23	C12	12 23
24	G15	23 23
25	D32	16 5
26	W10	91
27	D35	28 3
28	D35	27 3

JACK PIN LG

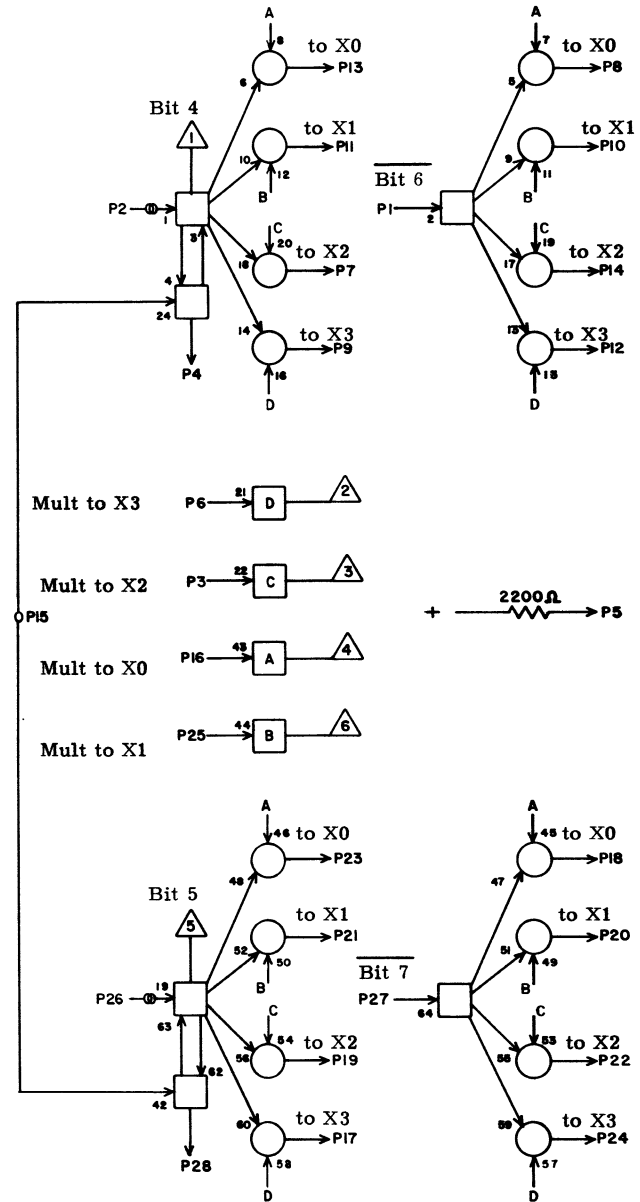
Entry Control: Trunk . Multiply to X



RA		7D35	
JACK	PIN	LG	
1	D34	4	3
2	W10	92	
3	E33	2	7
4	D34	1	3
5			
6	E33	16	9
7	N16	22	43
8	L16	13	39
9	O16	22	45
10	M16	13	39
11	M16	22	41
12	O16	13	45
13	L16	22	39
14	N16	13	43
15	C35	7	9
16	E32	2	7
17	O16	23	45
18	L16	12	39
19	N16	23	43
20	M16	12	41
21	M16	23	41
22	N16	12	41
23	L16	23	39
24	O16	12	45
25	E32	16	7
26	W10	93	
27	D34	28	3
28	D34	27	3

63017300 Rev. D

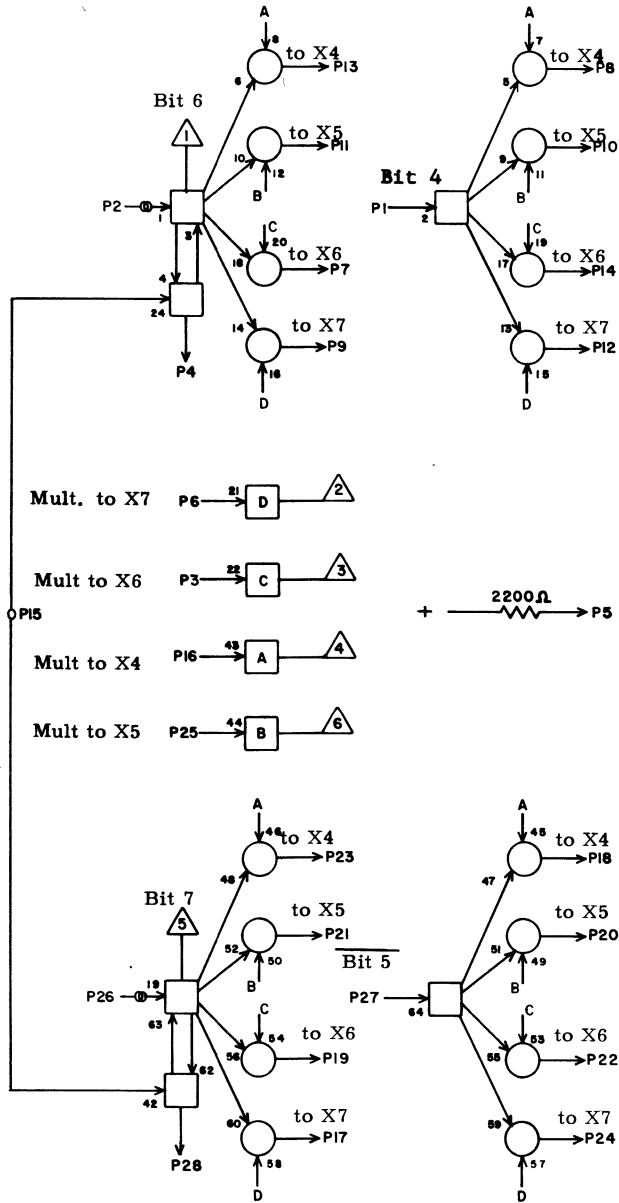
Entry Control : Trunk Multiply to X



RA		7D 36	
JACK	PIN	LG	
1	D37	4	3
2	W10	94	
3	D33	4	5
4	D37	1	3
5			
6	D33	18	5
7	F13	13	25
8	C13	22	23
9	G16	15	23
10	D16	22	21
11	D16	13	21
12	G16	22	23
13	C13	13	23
14	F13	22	25
15	C35	6	9
16	D32	4	7
17	G16	12	23
18	C13	23	23
19	F13	12	25
20	D16	23	21
21	D16	12	21
22	F13	23	25
23	C13	12	23
24	G16	23	23
25	D32	18	7
26	W10	95	
27	D37	28	3
28	D37	27	3

63017300 Rev. D

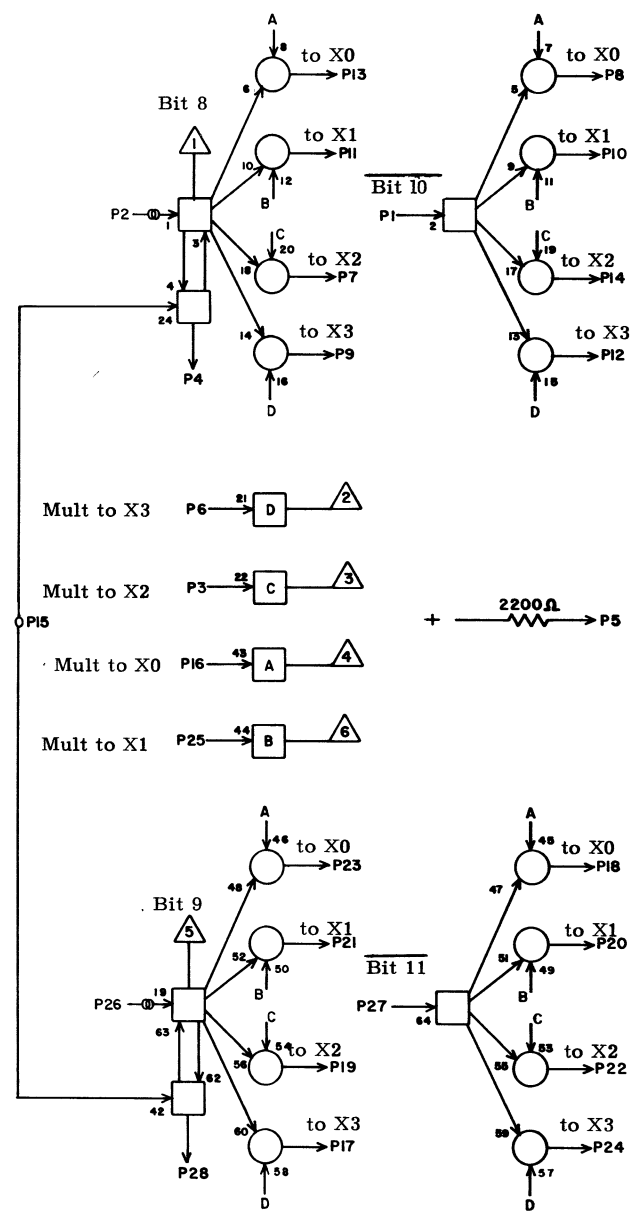
Entry Control: Trunk . Multiply to X



RA		7D 37	
JACK	PIN	LG	
1	D36	4	3
2	W10	96	
3	E33	4	9
4	D36	1	3
5			
6	E33	18	9
7	N17	22	43
8	L17	13	39
9	O17	22	45
10	M17	13	41
11	M17	22	41
12	O17	13	45
13	L17	22	39
14	N17	13	43
15	C35	4	9
16	E32	4	9
17	O17	23	45
18	L17	12	39
19	N17	23	43
20	M17	12	41
21	M17	23	41
22	N17	12	43
23	L17	23	39
24	O17	12	45
25	E32	18	9
26	W10	97	
27	D36	28	3
28	D36	27	3

63017300 Rev. D

Entry Control: Trunk.Multiply to X

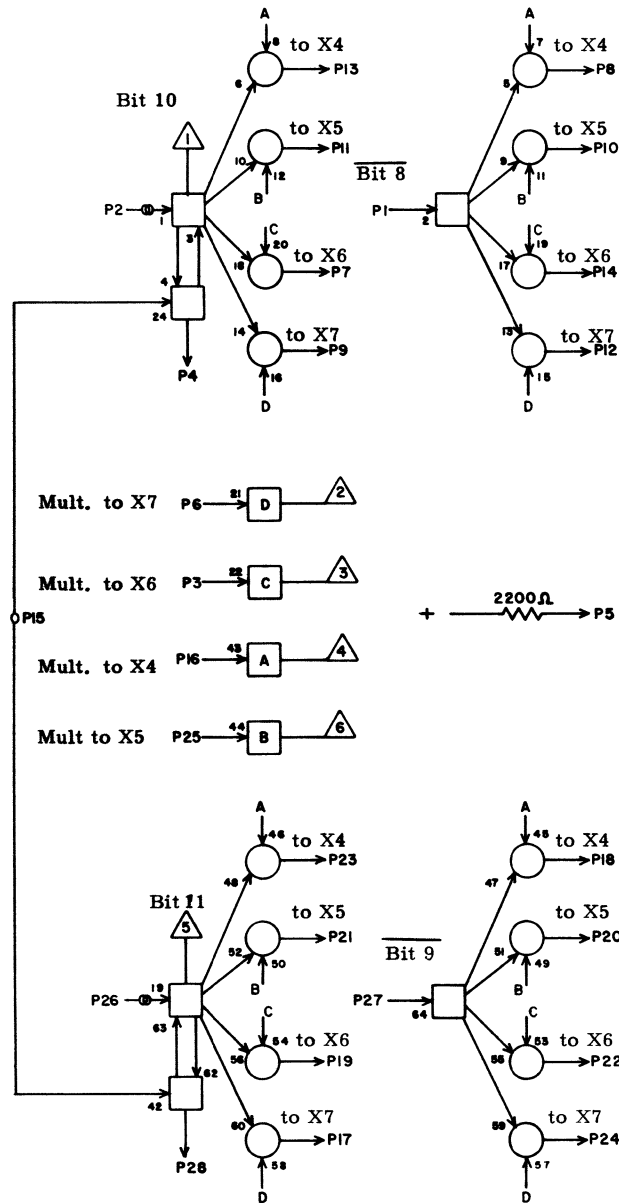


RA		7D 38	
JACK	PIN	LG	
1	D39	4	3
2	W10	98	
3	D33	6	7
4	D39	1	3
5			
6	D33	20	7
7	F14	13	25
8	C14	22	25
9	G17	13	25
10	D17	22	21
11	D17	13	21
12	G17	22	25
13	C14	13	25
14	F14	22	25
15	C35	9	9
16	D32	6	9
17	G17	12	25
18	C14	23	25
19	F14	12	25
20	D17	23	21
21	D17	12	21
22	F14	23	25
23	C14	12	25
24	G17	23	25
25	D32	20	9
26	W10	99	
27	D39	28	3
28	D39	27	3

63017300 Rev. D

7D38

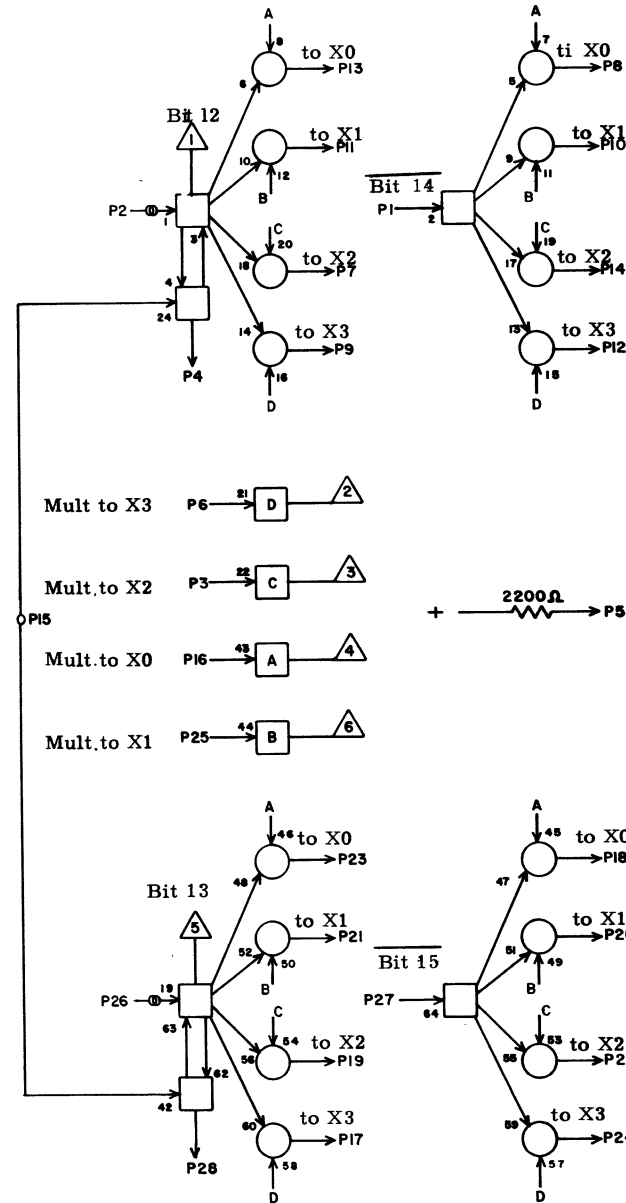
Entry Control: Trunk  
Multiply to X



RA		7D 39	
JACK	PIN	LG	
1	D38	4	3
2	W10	900	
3	E33	6	11
4	D38	1	3
5			
6	E33	20	11
7	N18	22	43
8	L18	13	39
9	O18	22	45
10	M18	13	44
11	M18	22	41
12	O18	13	45
13	L18	22	39
14	N18	13	43
15	C35	11	9
16	E32	6	11
17	O18	23	45
18	L18	12	39
19	N18	23	43
20	M18	12	41
21	M18	23	41
22	N18	12	43
23	L18	23	39
24	O18	12	45
25	E32	20	11
26	W10	901	
27	D38	28	3
28	D38	27	3

63017300 Rev. D

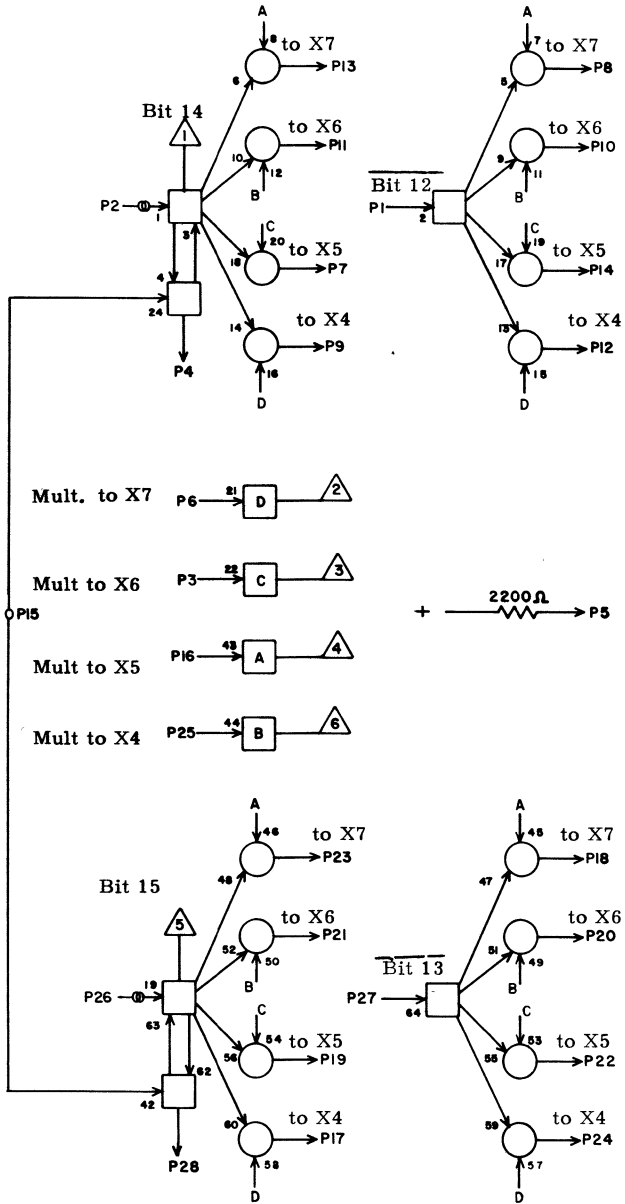
Entry Control: Trunk  
Multiply to X



RA		7D 40	
JACK	PIN	LG	
1	D41	4	3
2	W10	902	
3	D33	9	9
4	D41	1	3
5			
6	D33	22	9
7	F15	13	27
8	C15	22	25
9	G20	13	23
10	E12	22	29
11	E12	13	29
12	G20	22	23
13	C15	13	25
14	F15	22	29
15	C35	13	9
16	D32	9	11
17	G20	12	23
18	C15	23	25
19	F15	12	27
20	E12	23	29
21	E12	12	29
22	F15	23	27
23	C15	12	25
24	G20	23	23
25	D32	22	11
26	W10	903	
27	D41	28	3
28	D41	27	3

63017300 Rev. D

Entry Control: Trunk  
Multiply to X

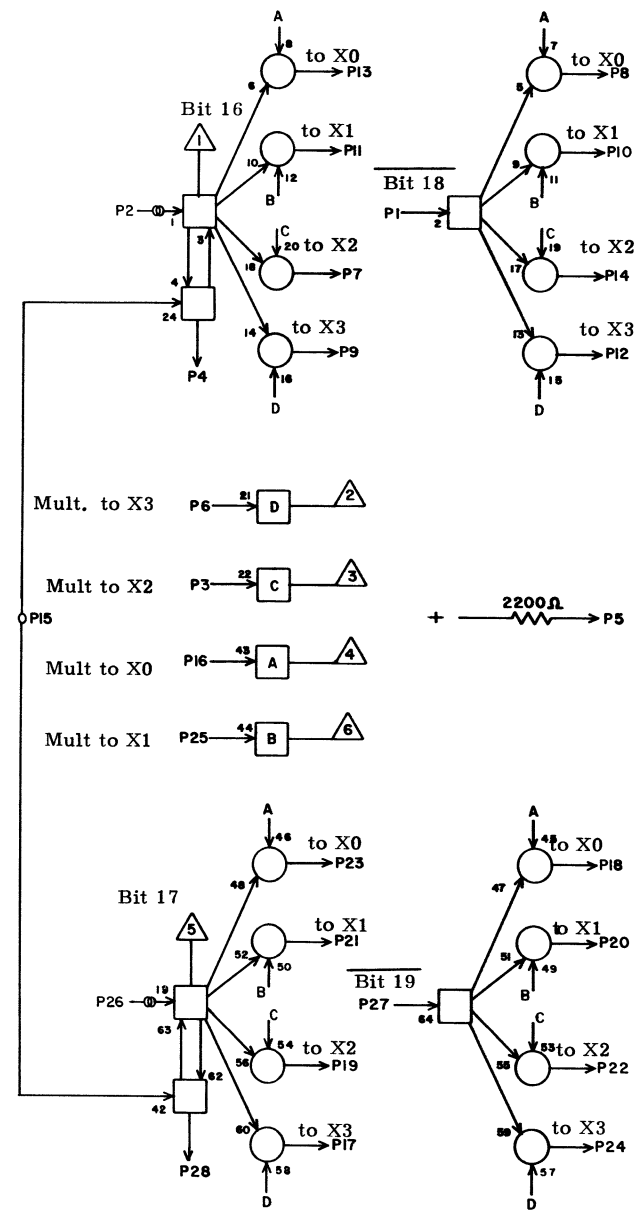


RA 7D 41

1	D40	4	3
2	W10	904	
3	E33	9	13
4	D40	1	3
5			
6	E33	22	13
7	N19	22	45
8	L19	13	39
9	O19	22	47
10	M19	13	41
11	M19	22	41
12	O19	13	47
13	L19	22	39
14	N19	13	43
15	C35	1	11
16	E32	9	13
17	O19	23	47
18	L19	12	39
19	N19	23	45
20	M19	12	45
21	M19	23	41
22	N19	12	43
23	L19	23	39
24	O19	12	47
25	E32	22	13
26	W10	905	
27	D40	28	3
28	D40	27	3

JACK PIN LG

Entry Control: Trunk  
Multiply to X

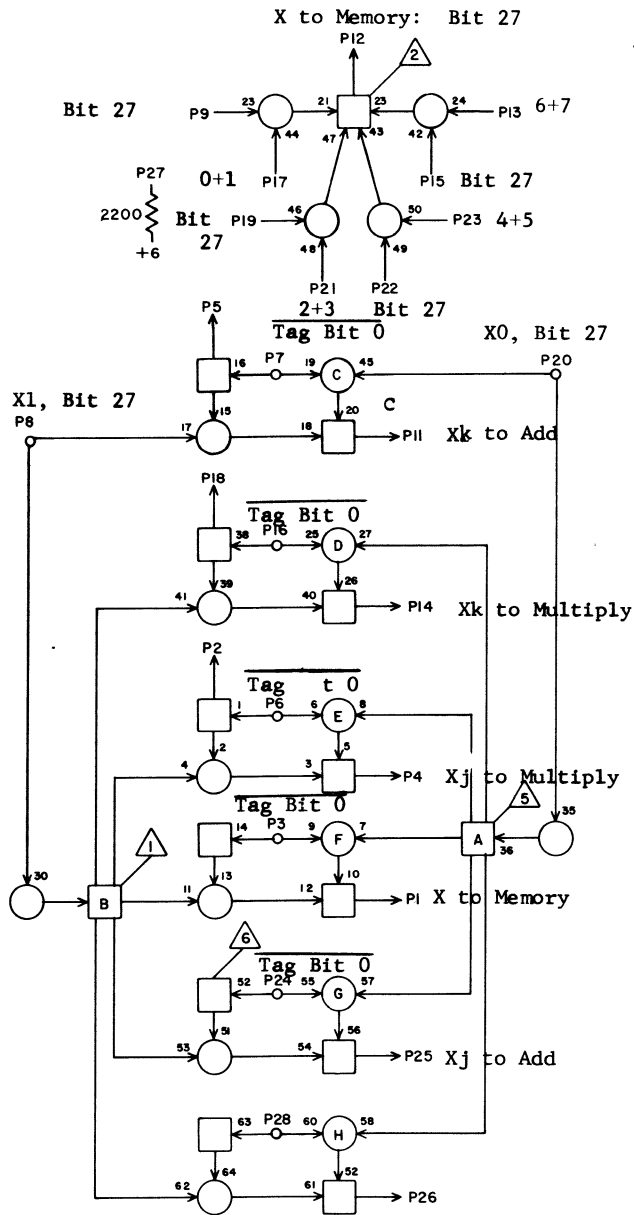


RA 7D 42

1	E34	4	11
2	W10	906	
3	D33	11	13
4	E34	1	11
5			
6	D33	17	11
7	F16	13	27
8	C16	22	27
9	G21	13	25
10	E13	22	29
11	E13	13	29
12	G21	22	25
13	C16	13	27
14	F16	22	27
15	C35	8	11
16	D32	11	13
17	G21	12	25
18	C16	23	27
19	F16	12	27
20	E13	23	29
21	E13	12	29
22	F16	23	27
23	C16	12	27
24	G21	23	25
25	O32	17	13
26	W10	907	
27	E34	28	11
28	E34	27	11

JACK PIN LG

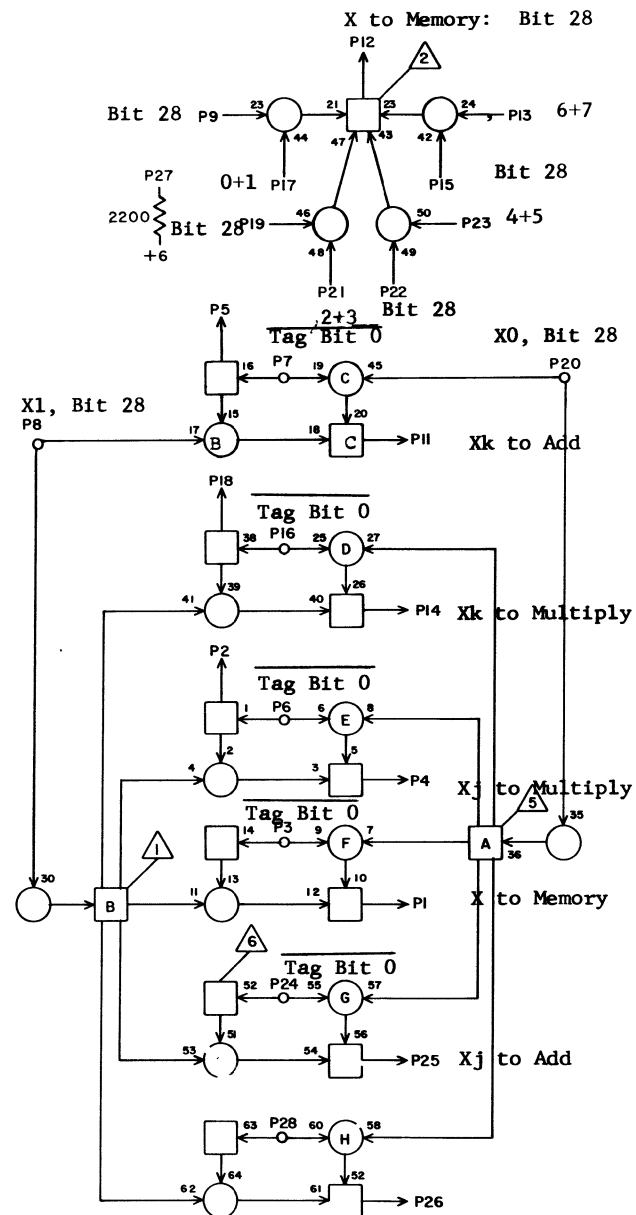
Exit Control: X Registers



RF		7E 1	
1	E 1	9	3
2	D 1	28	5
3	D 1	5	7
4	J32	8	35
5	D 1	3	7
6	F 7	19	11
7	F 4	19	9
8	E15	27	15
9	E 1	1	3
10			
11	N40	8	47
12	F35	7	33
13	F10	24	13
14	H32	8	31
15	Q 2	11	45
16	F 6	10	9
17	F 9	4	11
18	D 1	24	5
19	J 1	1	21
20	D12	27	13
21	F 9	24	11
22	N 4	11	35
23	F10	4	11
24	D 1	18	7
25	N 4	9	35
26			
27			
28	D 1	2	9

JACK PIN LG

Exit Control: X Registers

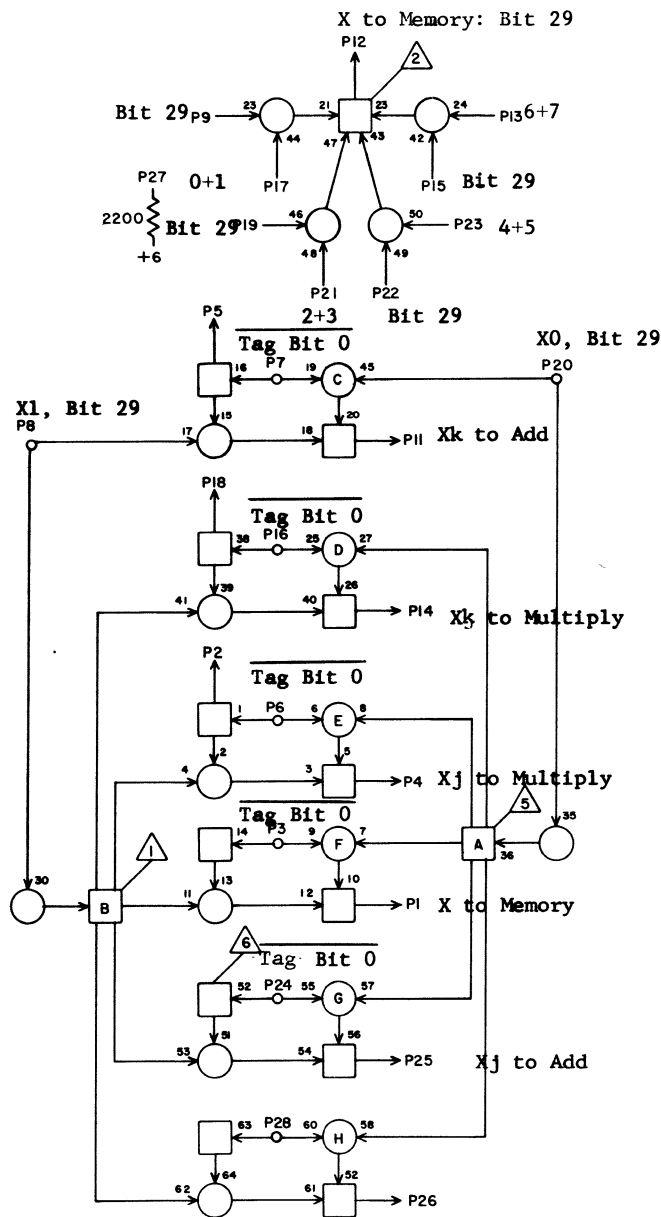


RF		7E2	
1	E2	9	3
2	D2	28	5
3	D2	5	7
4	J32	22	35
5	D2	3	7
6	F7	17	11
7	F4	17	9
8	E16	11	19
9	E2	1	3
10			
11	N40	22	47
12	F35	19	33
13	F10	22	13
14	H32	22	31
15	Q3	11	45
16	F6	12	9
17	F9	9	11
18	D2	24	5
19	J2	1	21
20	D13	11	15
21	F9	22	11
22	N5	11	35
23	F10	9	11
24	D2	18	7
25	N5	9	35
26			
27			
28	D2	2	9

JACK PIN LG

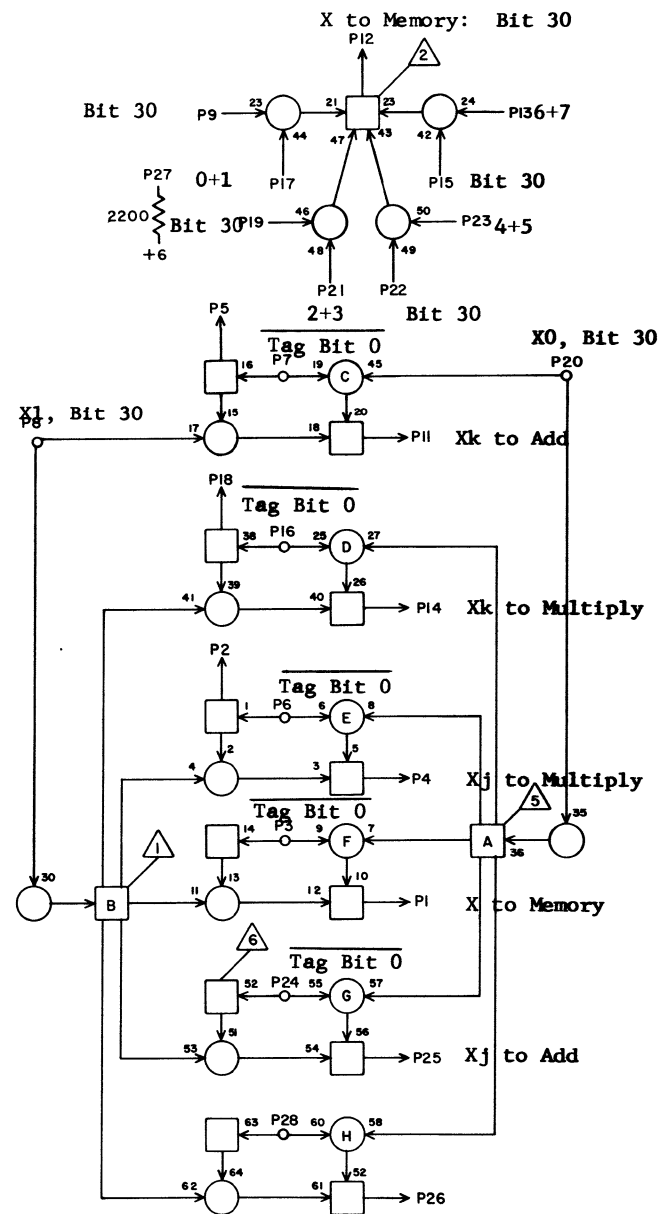


Exit Control: X Registers



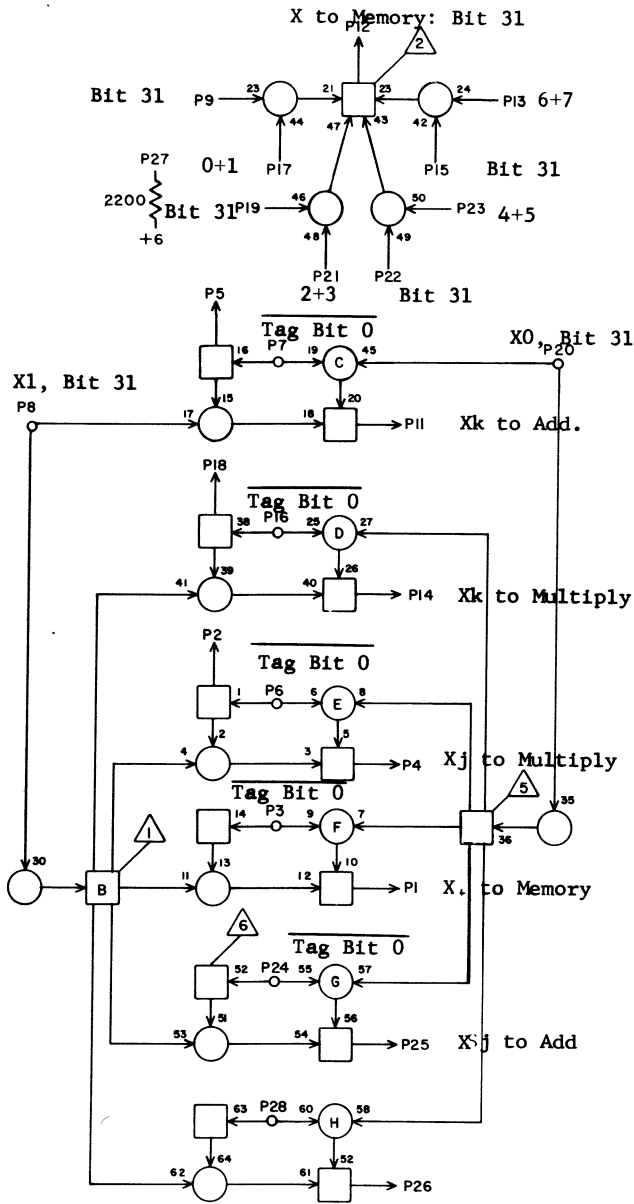
RF		7E3	
1	E3	9	3
2	D3	28	5
3	D3	5	7
4	J32	24	35
5	D3	3	7
6	F7	27	11
7	F4	27	9
8	E16	16	15
9	E3	1	3
10			
11	N40	24	49
12	F35	28	33
13	F10	20	11
14	H32	24	31
15	Q4	11	45
16	F6	2	7
17	F9	11	9
18	D3	24	5
19	J3	1	21
20	D13	16	13
21	F9	20	9
22	N6	11	35
23	F10	11	9
24	D3	18	7
25	N6	9	35
26			
27			
28	D3	2	9
	JACK	PIN	LG

Exit Control: X Registers



RF		7E4	
1	E4	9	3
2	D4	28	5
3	D4	5	7
4	J33	8	35
5	D4	3	7
6	F8	15	11
7	F5	15	7
8	E16	26	13
9	E4	1	3
10			
11	N41	8	49
12	E26	7	23
13	F10	18	11
14	H33	8	31
15	Q5	11	45
16	F6	25	9
17	F9	13	9
18	D4	24	5
19	J4	1	21
20	D13	26	13
21	F9	18	9
22	N7	1	33
23	F10	13	9
24	D4	18	7
25	N7	9	35
26			
27			
28	D4	2	9
	JACK	PIN	LG

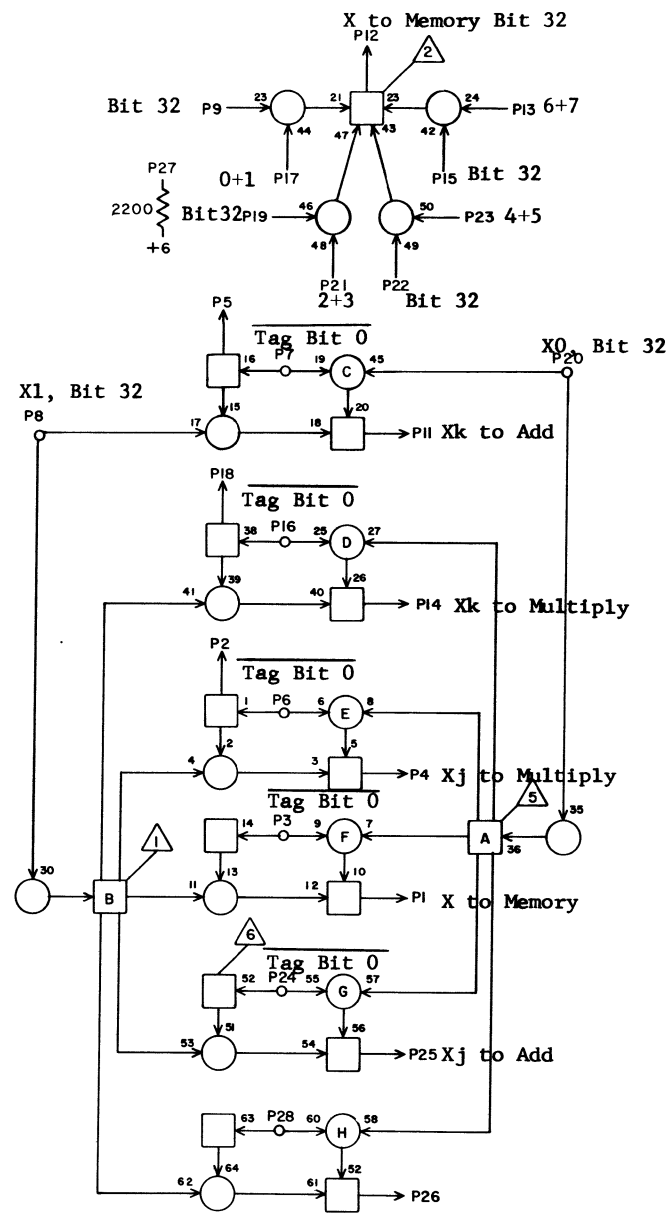
m Exit Control: X Registers



RF		7E5	
1	E5	9	3
2	D5	28	5
3	D5	5	7
4	J33	22	35
5	D5	3	7
6	F8	7	9
7	F5	7	7
8	E16	27	13
9	E5	1	3
10			
11	N41	22	47
12	E26	19	23
13	F10	28	11
14	H33	22	31
15	Q6	1	45
16	F6	23	7
17	F9	1	7
18	D5	24	5
19	J5	1	21
20	D13	27	11
21	F9	28	9
22	N8	1	35
23	F10	1	7
24	D5	18	7
25	N8	9	35
26			
27			
28	D5	2	9

JACK PIN LG

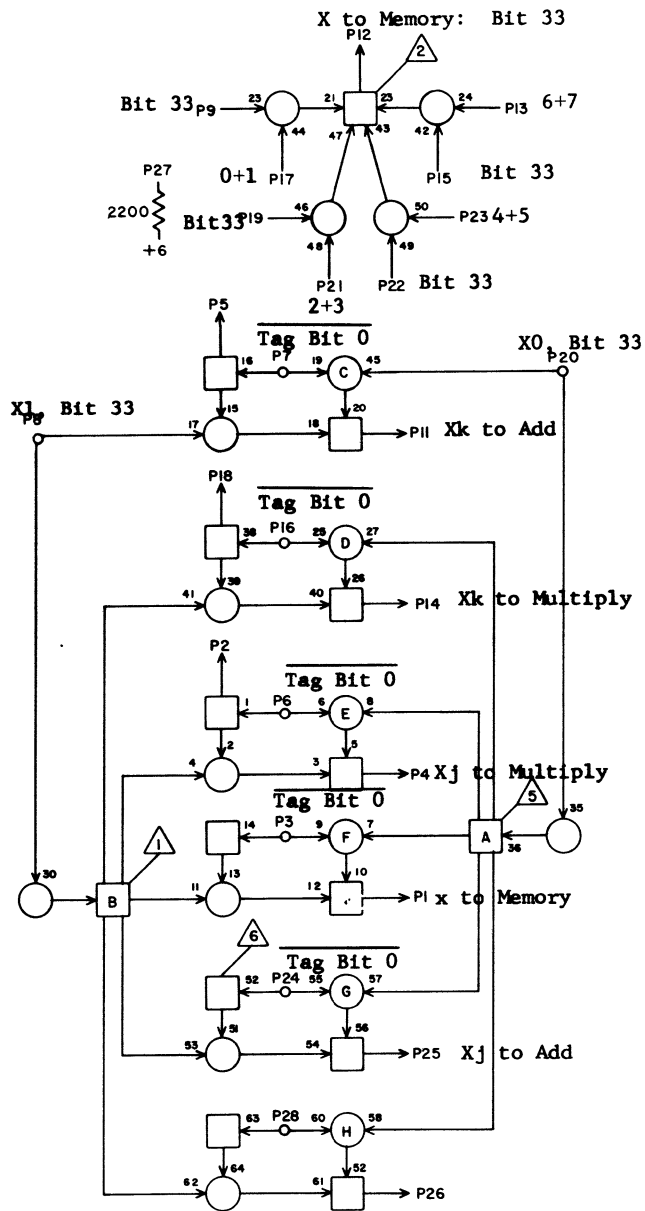
Exit Control: X Registers



RF		7E6	
1	E6	9	3
2	D6	28	5
3	D6	5	7
4	J33	24	35
5	D6	3	7
6	F8	6	7
7	F5	6	7
8	E17	11	13
9	E6	1	3
10			
11	N41	24	47
12	E26	28	21
13	F10	21	9
14	H33	24	31
15	Q7	1	45
16	F6	26	7
17	F9	8	7
18	D6	24	5
19	J6	1	21
20	D14	11	13
21	F9	21	9
22	N9	1	35
23	F10	8	7
24	D6	18	7
25	N9	9	35
26			
27			
28	D6	2	9

JACK PIN LG

Exit Control: X Registers

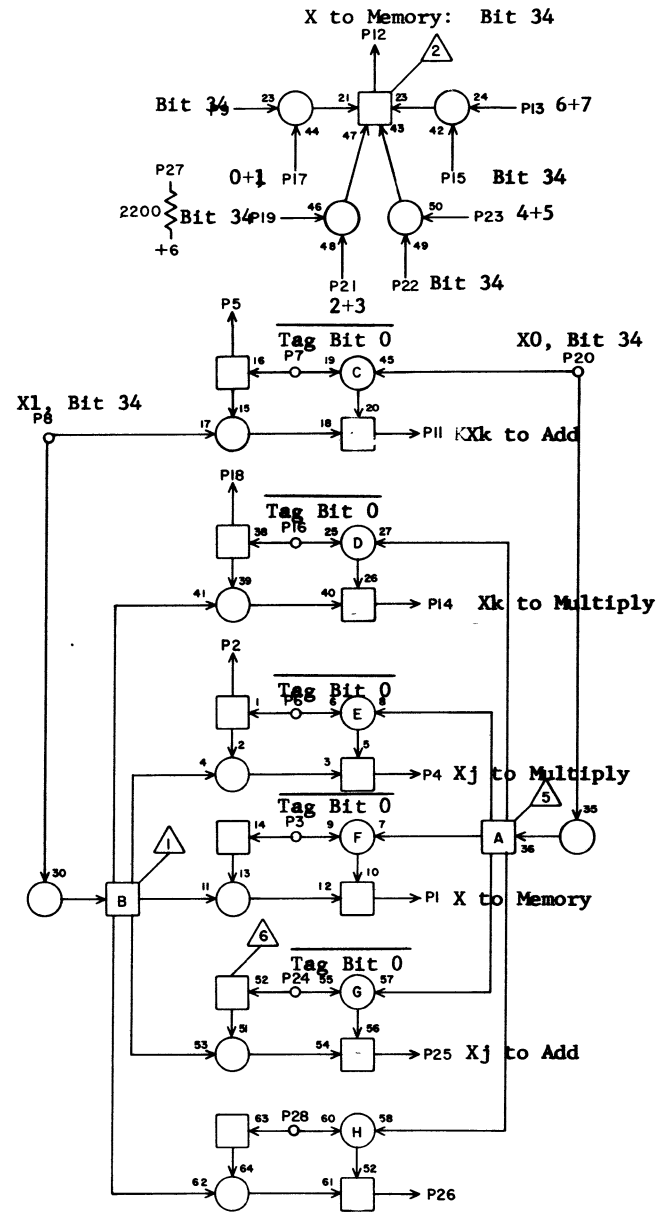


RF	7E7		
1	E7	9	3
2	D7	28	5
3	D7	5	7
4	J34	8	35
5	D7	3	7
6	F8	4	7
7	F5	4	7
8	E17	16	13
9	E7	1	3
10			
11	N42	8	47
12	E27	7	21
13	F10	19	7
14	H34	8	31
15	Q8	1	45
16	F6	24	7
17	F9	10	7
18	D7	24	5
19	J7	1	21
20	D14	16	13
21	F9	19	7
22	N10	1	35
23	F10	10	7
24	D7	18	7
25	N10	9	35
26			
27			
28	D7	2	11

JACK PIN LG

63017300 Rev. D

Exit Control: X Registers

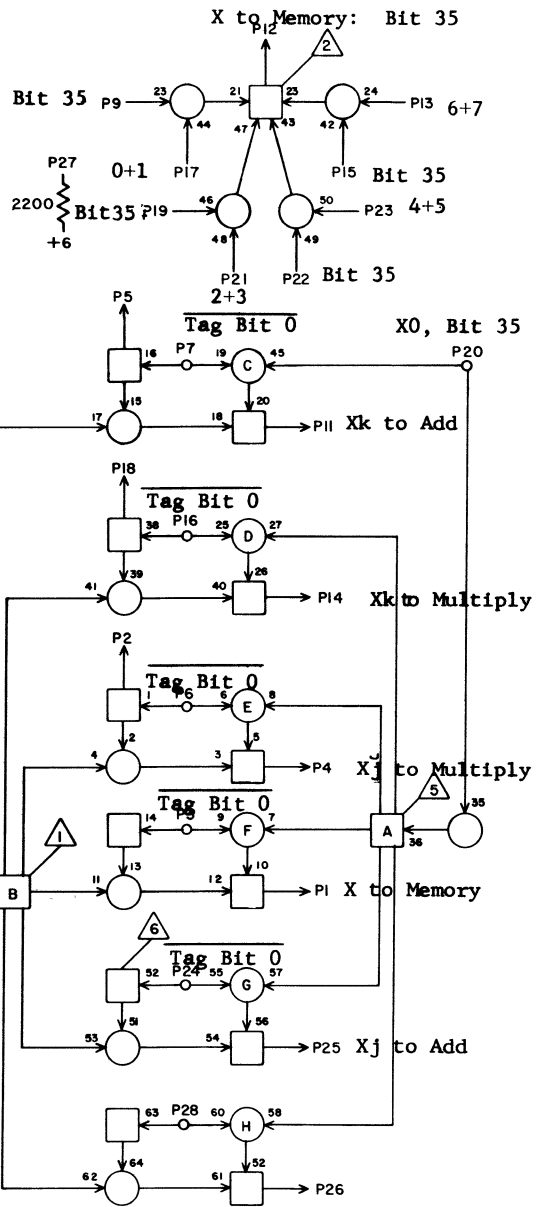


RF	7E8		
1	E8	9	3
2	D8	28	5
3	D8	5	7
4	J34	22	33
5	D8	3	7
6	F8	9	7
7	F5	9	7
8	E17	26	11
9	E8	1	3
10			
11	N42	22	47
12	E27	19	21
13	F10	17	7
14	H34	22	31
15	Q9	1	45
16	F6	22	7
17	F9	12	7
18	D8	24	5
19	J8	1	21
20	D14	26	11
21	F9	17	7
22	N11	1	35
23	F10	12	7
24	D8	18	7
25	N11	9	35
26			
27			
28	D8	2	11

JACK PIN LG

63017300 Rev. D

Exit Control: X Registers

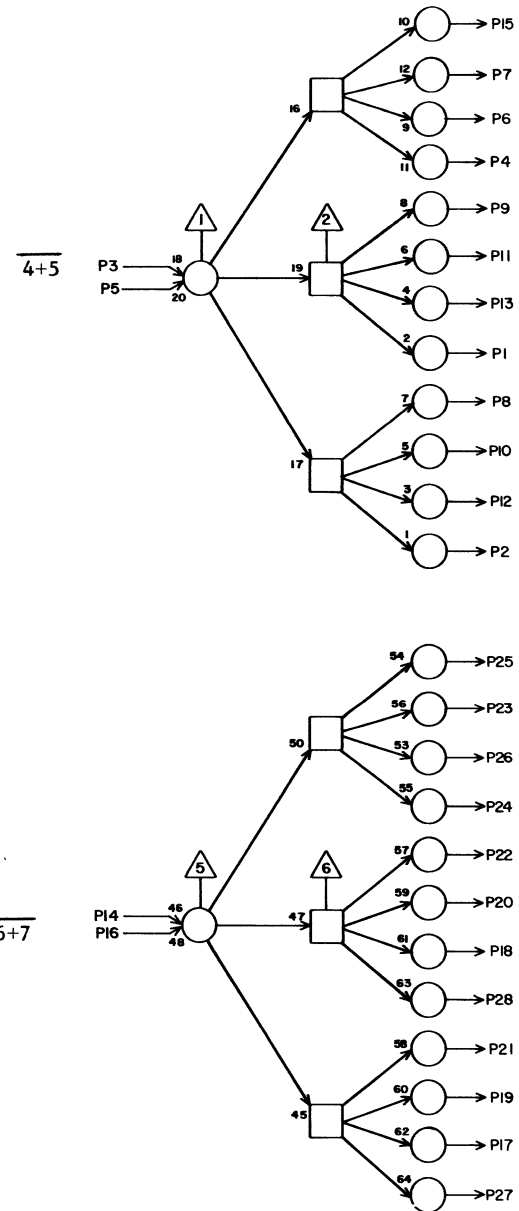


RF 7E9

1	E9	9	3
2	D9	28	5
3	D9	5	7
4	J34	24	35
5	D9	3	7
6	FB	11	7
7	F5	11	9
8	E17	27	11
9	E9	1	3
10			
11	N42	24	47
12	E27	28	21
13	F10	27	7
14	H34	24	27
15	Q10	1	45
16	F6	20	9
17	F9	2	7
18	D9	24	5
19	J9	1	31
20	D14	27	9
21	F9	27	7
22	N12	1	35
23	F10	2	7
24	D9	18	7
25	N12	9	35
26			
27			
28	D9	2	11

JACK PIN LG

Exit Control  
X to Memory



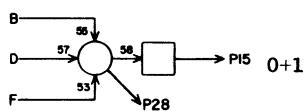
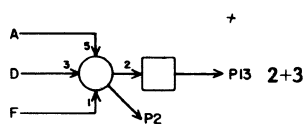
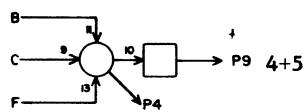
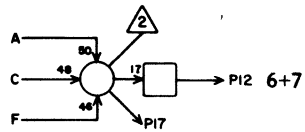
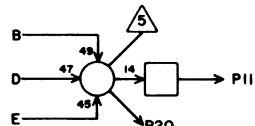
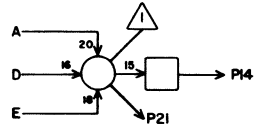
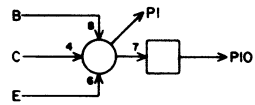
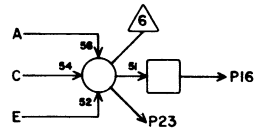
TC

7E10

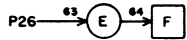
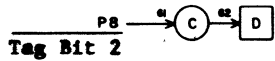
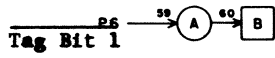
1	D2	23	11
2	D6	23	5
3	K9	12	25
4	C7	23	11
5	gnd		2
6	C6	23	11
7	C5	23	11
8	D3	23	11
9	C8	23	11
10	D4	23	9
11	C9	23	11
12	D5	23	9
13	D1	23	13
14	K9	19	25
15	C4	23	13
16	gnd		2
17	D5	13	9
18	D1	13	13
19	D4	13	11
20	C9	13	11
21	D3	13	11
22	C8	13	13
23	C5	13	13
24	C7	13	13
25	C4	13	13
26	C6	13	13
27	D6	13	9
28	D2	13	11

JACK PIN LG

Exit Control



Aj to Increment



IV

7E11

1			
2			
3			
4			
5			
6	G26	4	19
7			
8	G26	19	19
9	D11	25	9
10			
11			
12	D11	26	9
13	D11	2	9
14			
15	D11	1	9
16			
17			
18			
19			
20			
21			
22			
23			
24			
25			
26	GND		2
27			
28			

JACK PIN LG

63017300 Rev. D

Operating Registers

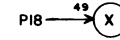
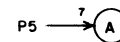
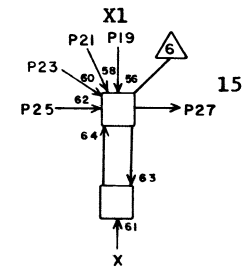
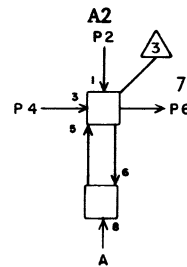
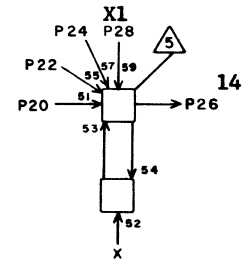
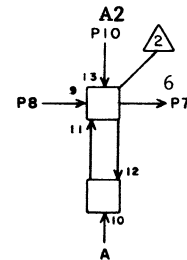
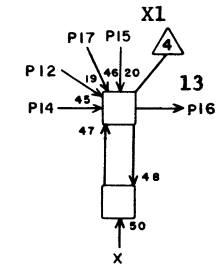
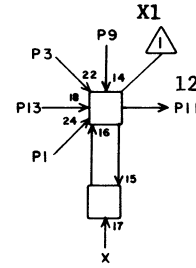
RD

7E 12

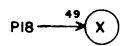
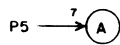
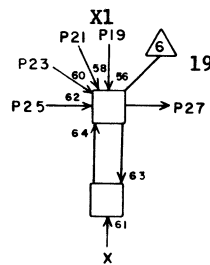
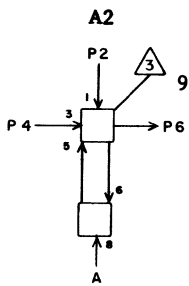
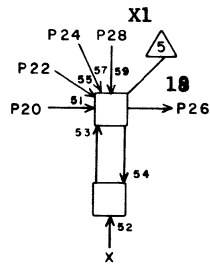
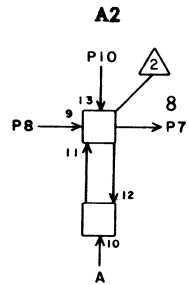
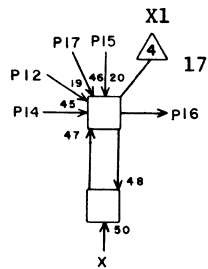
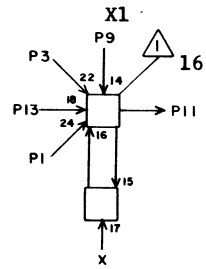
1	D22	6	13
2	gnd		2
3	J37	11	33
4	C29	22	21
5	E18	9	9
6	A26	20	23
7	A26	4	23
8	C29	14	21
9	H21	9	17
10	gnd		2
11	C 4	8	15
12	D40	21	29
13	D40	11	29
14	D22	5	13
15	H21	21	17
16	C 5	8	13
17	J37	21	33
18	D18	22	9
19	H21	20	17
20	D22	2	13
21	J37	20	33
22	D40	10	29
23	D40	20	29
24	J37	10	33
25	D22	7	13
26	C 6	8	13
27	C 7	8	13
28	H21	10	17

JACK PIN LG

63017300 Rev. D

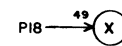
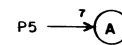
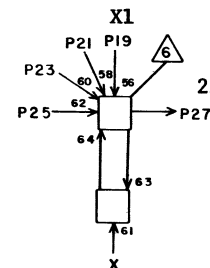
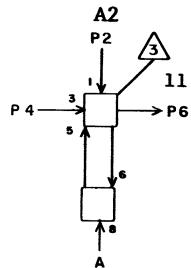
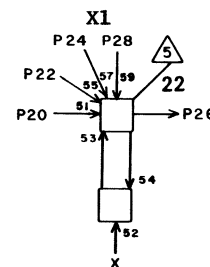
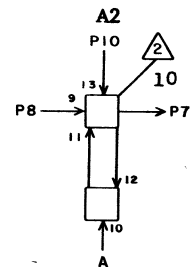
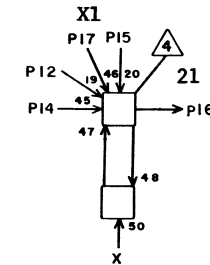
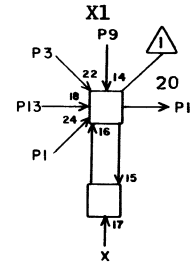


Operating Registers



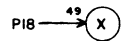
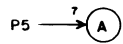
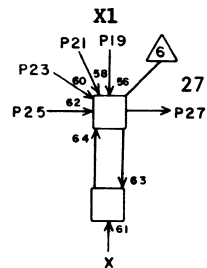
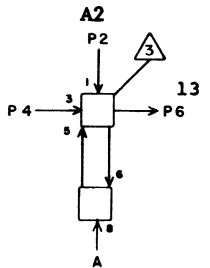
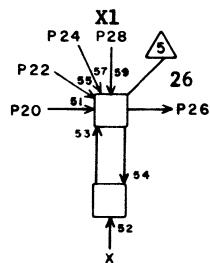
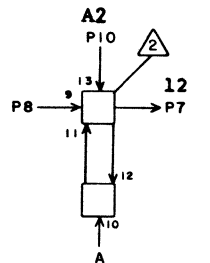
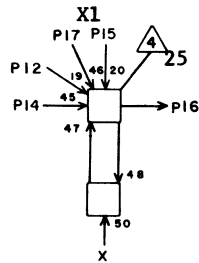
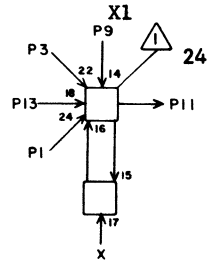
RD		7E13	
1	D22	9	13
2	gnd		2
3	J39	11	33
4	C31	19	21
5	E18	11	7
6	A27	20	23
7	A27	4	23
8	C31	5	21
9	H23	9	19
10	gmd		2
11	C 8	8	13
12	D42	21	29
13	D42	11	29
14	D22	12	13
15	H23	21	19
16	C 9	8	13
17	J39	21	33
18	D18	17	9
19	H23	20	19
20	D23	6	13
21	J39	20	33
22	D42	10	29
23	D42	20	29
24	J39	10	33
25	D23	5	13
26	D 1	20	15
27	D 2	20	13
28	H23	10	19
	JACK	PIN	LG

Operating Registers



RD		7E 14	
1	D23	2	13
2	gnd		2
3	J41	11	33
4	C31	22	19
5	E18	13	7
6	A28	20	23
7	A28	4	23
8	C31	14	21
9	J12	9	23
10	gmd		2
11	D 3	20	13
12	E35	21	23
13	E35	11	23
14	D23	7	13
15	J12	21	23
16	D 4	20	13
17	J41	21	33
18	D18	19	9
19	J12	20	23
20	D23	9	13
21	J41	20	33
22	E35	10	23
23	E35	20	23
24	J41	10	33
25	D23	12	13
26	D 5	20	13
27	D 6	20	13
28	J12	10	23
	JACK	PIN	LG

Operating Registers



RD

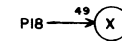
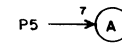
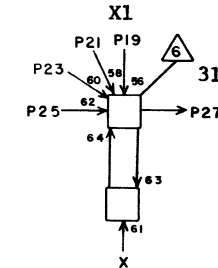
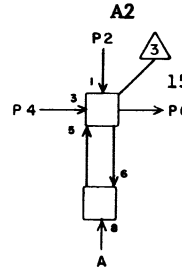
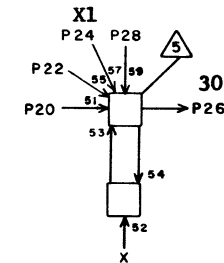
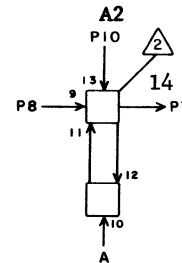
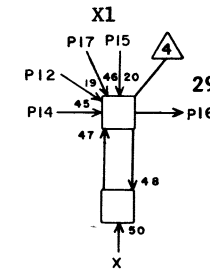
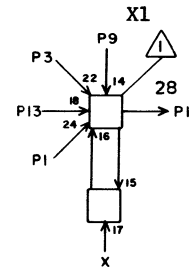
7E 15

1	D24	6	13
2	gnd		2
3	K38	10	33
4	D28	19	15
5	E18	8	5
6	A31	20	23
7	A31	4	23
8	D28	5	15
9	J14	9	23
10	gnd		2
11	D 7	20	11
12	E37	21	23
13	E37	11	23
14	D24	5	13
15	J14	21	23
16	D 8	20	11
17	K38	20	33
18	D18	21	9
19	J14	20	23
20	D24	2	13
21	K38	21	33
22	E37	10	23
23	E37	20	23
24	K38	11	33
25	D24	7	13
26	D 9	20	11
27	E 1	8	15
28	J14	10	23

JACK PIN LG

63017300 Rev. D

Operating Registers



RD

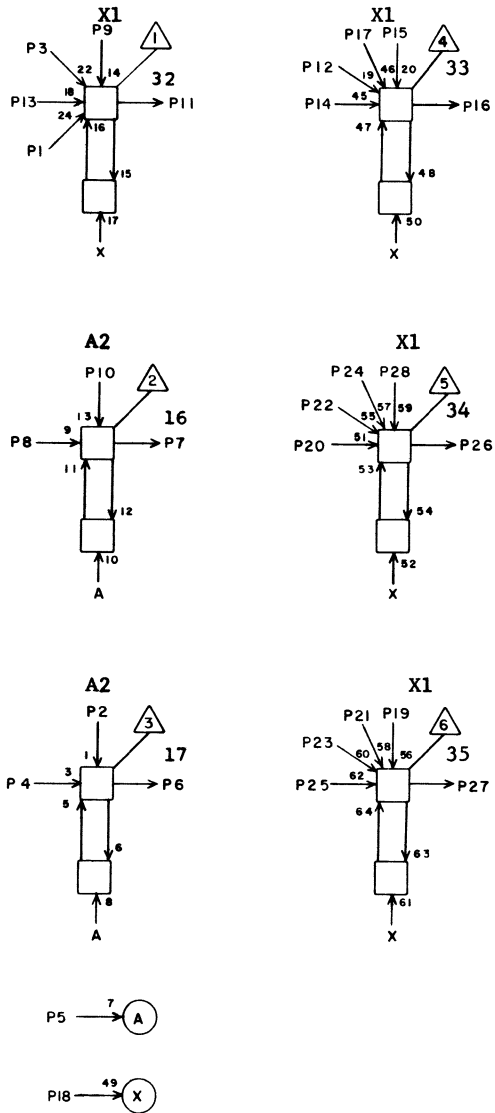
7E 16

1	D24	9	13
2	gnd		2
3	K40	10	33
4	D28	22	15
5	E18	10	5
6	A32	20	23
7	A32	4	23
8	D28	14	15
9	J16	9	23
10	gnd		2
11	E 2	8	15
12	E39	21	23
13	E39	11	23
14	D24	12	13
15	J16	21	23
16	E 3	8	15
17	K40	20	33
18	D18	24	7
19	J16	20	23
20	D25	6	13
21	K40	21	33
22	E39	10	23
23	E39	20	23
24	K40	11	33
25	D25	5	13
26	E 4	8	13
27	E 5	8	13
28	J16	10	23

JACK PIN LG

63017300 Rev. D

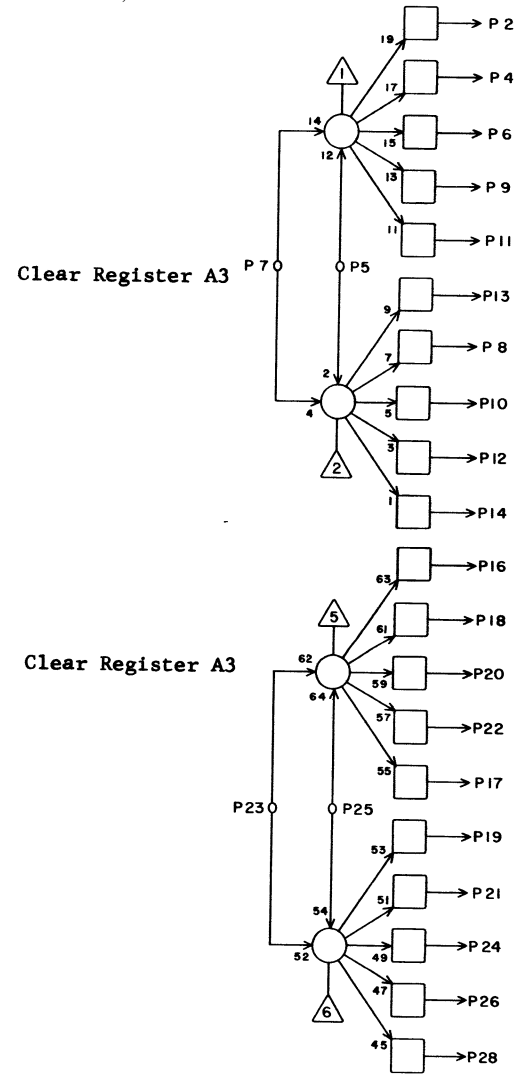
Operating Registers



RD 7E 17

1	D25	2	11
2	gnd		2
3	K42	10	33
4	D30	19	15
5	E18	12	3
6	A33	20	25
7	A33	4	25
8	D30	5	15
9	J18	9	23
10	gnd		2
11	E 6	8	13
12	E41	21	23
13	E41	11	23
14	D25	7	11
15	J18	21	23
16	E 7	8	13
17	K42	20	33
18	D18	26	7
19	J18	20	23
20	D25	9	11
21	K42	21	33
22	E41	10	23
23	E41	20	23
24	K42	11	33
25	D25	12	11
26	E 8	8	11
27	E 9	8	11
28	J18	10	23
	JACK	PIN	LG

Entry Control



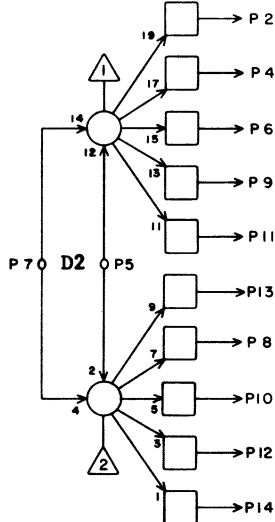
HC 7E 18

1			
2	D15	5	9
3			
4	D16	5	7
5	C22	24	11
6	D17	5	7
7	I16	17	21
8	E15	5	5
9	E12	5	9
10	E16	5	5
11	E13	5	7
12	E17	5	3
13	E14	5	7
14			
15			
16	C12	5	15
17	C16	5	13
18	C13	5	13
19	C17	5	13
20	C14	5	13
21	D12	5	11
22	C15	5	13
23	I16	19	21
24	D13	5	11
25	C23	24	13
26	D14	5	9
27			
28			
	JACK	PIN	LG

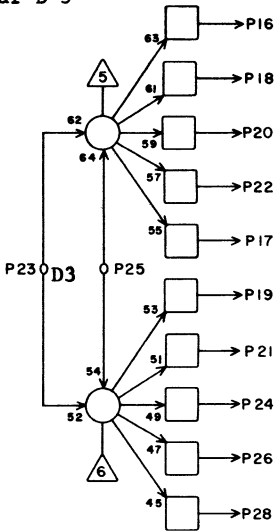


Entry Control

Clear D 2



Clear D 3



HC 7E 19

1			
2	E20	10	3
3			
4	E21	10	5
5	D24	24	7
6	E22	10	5
7	I16	6	19
8	E24	10	9
9			
10	E25	10	9
11			
12			
13	E23	10	5
14			
15			
16	F20	10	5
17			
18	F21	10	5
19	F23	10	7
20	F22	10	7
21	F24	10	9
22			
23	I16	9	19
24	F25	10	9
25	D25	24	9
26			
27			
28			

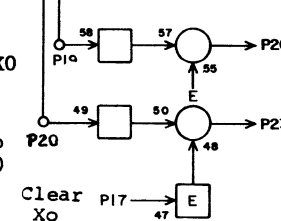
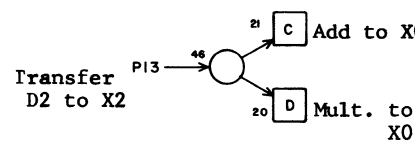
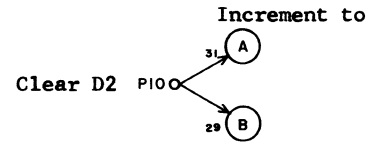
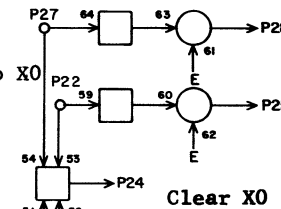
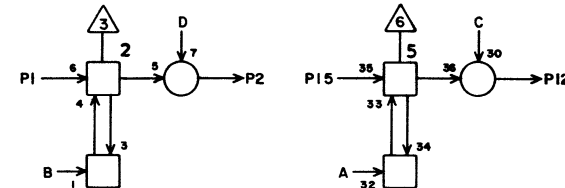
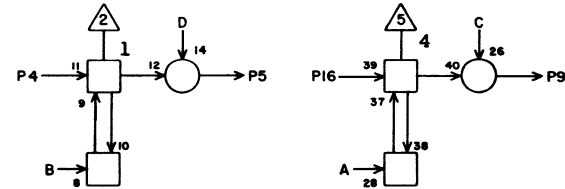
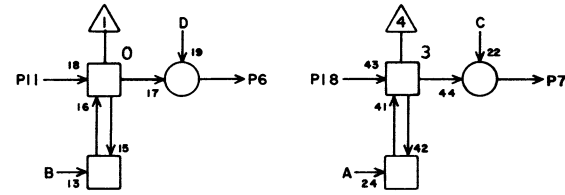
JACK PIN LG

Entry Control Register D2

RE 7E 20

1	A37	14	25
2	F12	20	11
3			
4	A37	19	25
5	F12	14	11
6	F12	1	11
7	F12	25	11
8			
9	F13	1	11
10	E19	2	3
11	A37	7	25
12	F13	14	11
13	F19	15	7
14			
15	A39	19	27
16	A39	7	27
17	I18	21	19
18	A37	22	25
19	I28	12	19
20	G27	12	13
21			
22	H28	12	15
23	D32	5	72
24	D18	5	9
25	H16	5	15
26	I38	5	23
27			
28			

JACK PIN LG



Clear X0

Clear X0

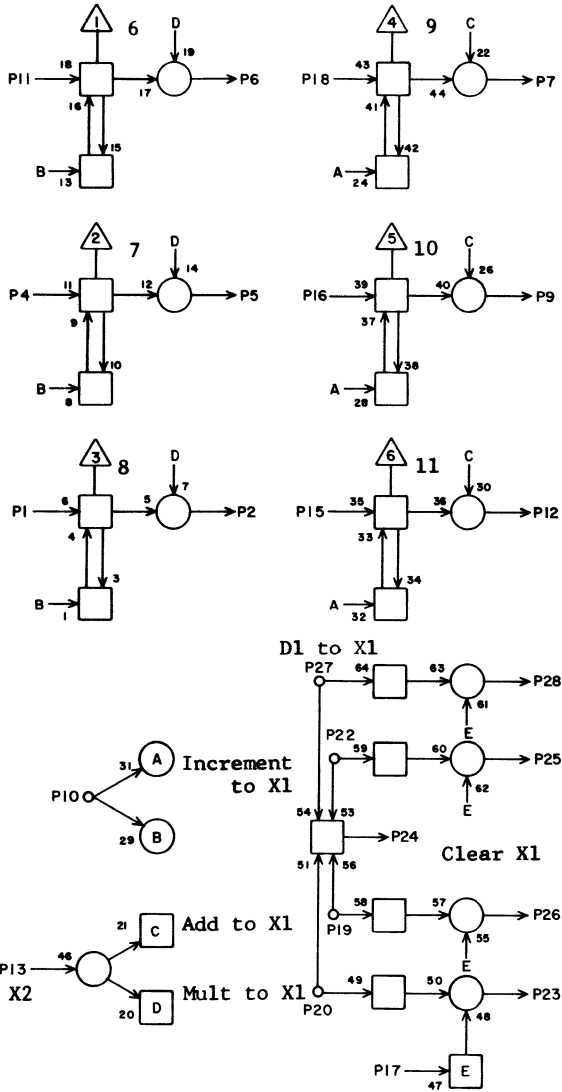
Transfer D2 to X2

Increment to X0

Add to X0

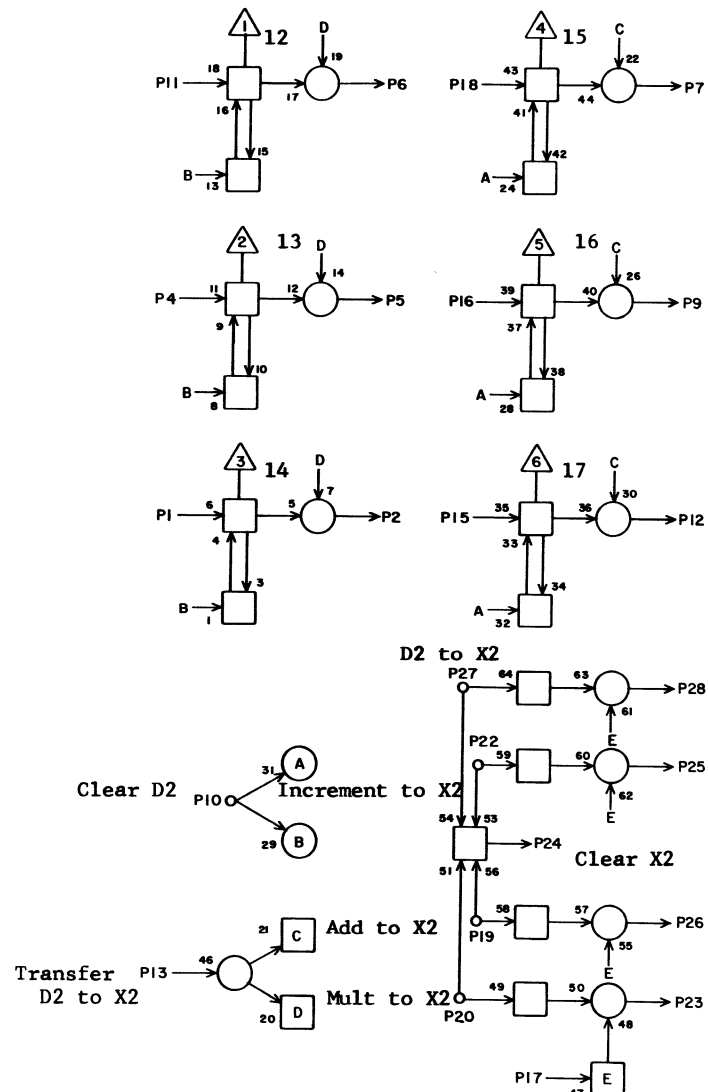
Mult. to X0

Entry Control Register D2



RE			
7E 21			
JACK	PIN	LG	
1	A41	7	27
2	F14	1	11
3			
4	A39	22	27
5	F13	25	13
6	F13	20	13
7	F14	14	11
8			
9	F14	20	11
10	E19	4	5
11	A39	14	27
12	F14	25	11
13	F19	7	7
14			
15	A41	22	27
16	A41	14	27
17	I18	19	19
18	A41	19	27
19	I28	13	19
20	G27	13	11
21			
22	H28	13	15
23	D32	25	72
24	D18	25	7
25	H16	25	15
26	I38	25	25
27	G36	6	17
28	D19	14	9

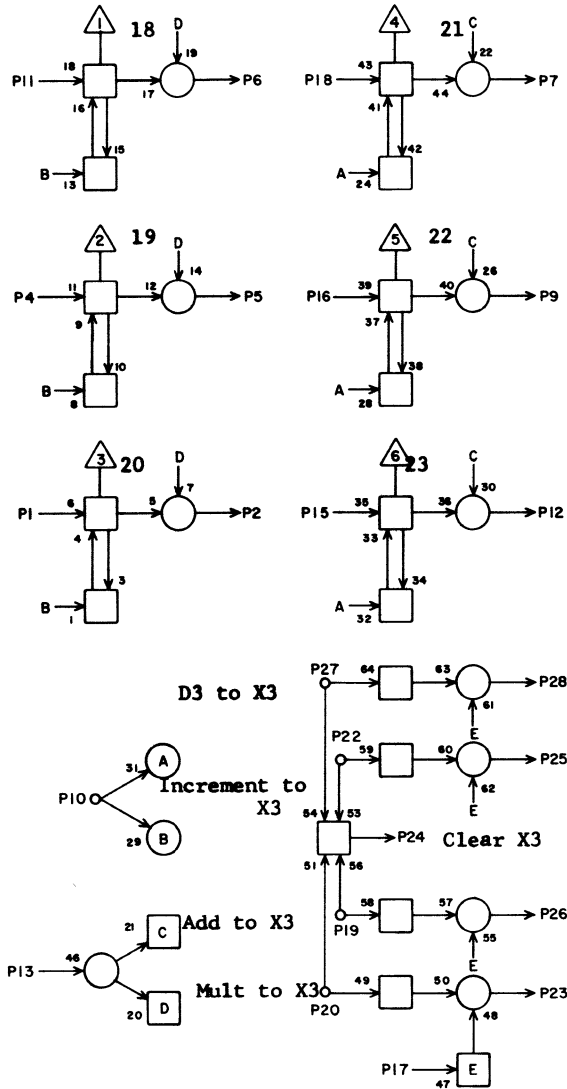
Entry Control Register D2



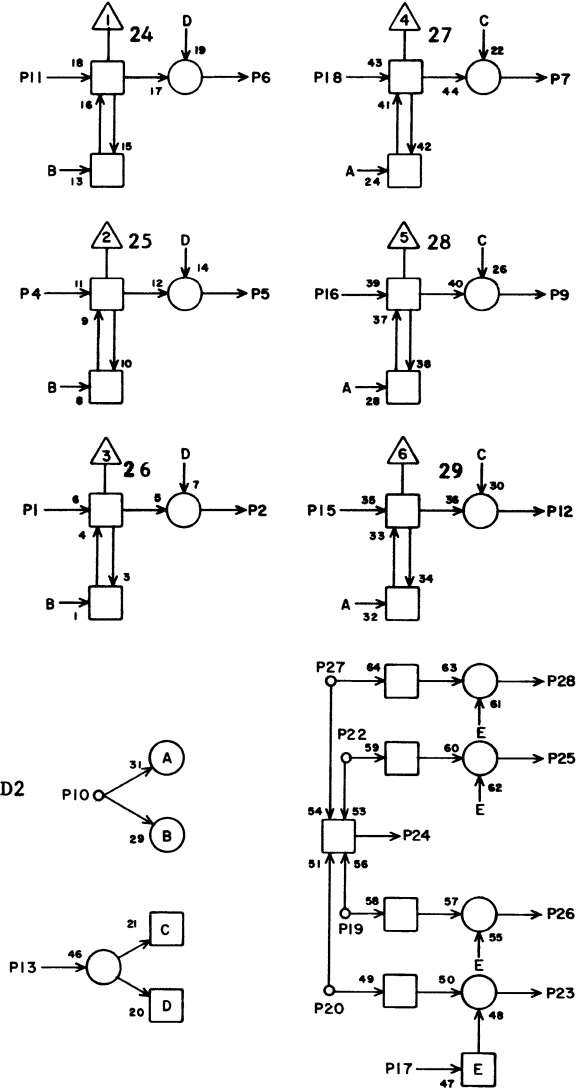
RE			
7E 22			
JACK	PIN	LG	
1	B37	14	23
2	F15	20	11
3			
4	B37	19	23
5	F15	14	11
6	F15	1	11
7	F15	25	11
8			
9	F16	1	9
10	E19	6	5
11	B37	7	23
12	F16	14	9
13	F19	9	7
14			
15	B39	19	23
16	B39	7	23
17	I18	17	19
18	B37	22	21
19	I28	8	19
20	G27	8	11
21			
22	H28	8	15
23	D33	5	72
24	G18	5	9
25	H20	5	13
26	I39	5	25
27	G36	5	17
28	F19	3	9

Entry Control Register D2

Entry Control Register D2

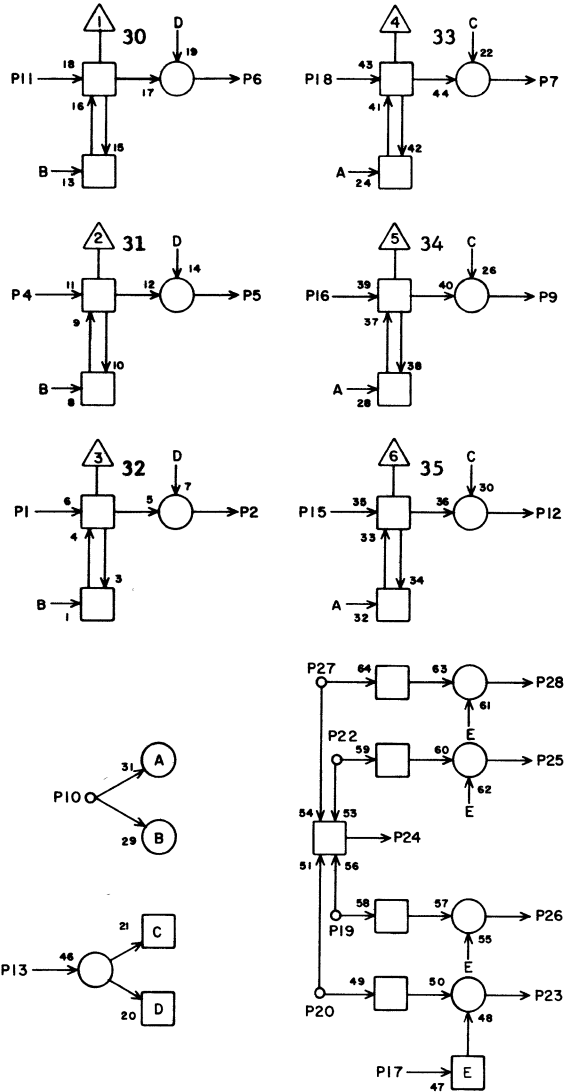


	RE	7E 23	
1	B41	7	23
2	F17	1	11
3			
4	B39	22	21
5	F16	25	11
6	F16	20	11
7	F17	14	11
8			
9	F17	20	11
10	E19	13	5
11	B39	14	21
12	F17	25	11
13	F19	11	7
14			
15	B41	22	23
16	B41	14	23
17	I18	27	21
18	B41	19	23
19	I28	10	21
20	G27	10	11
21			
22	H28	10	15
23	D33	25	72
24	G18	25	11
25	H20	25	15
26	I39	25	23
27	G36	2	21
28	F19	14	7
	JACK	PIN	LG

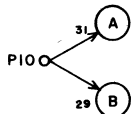


	RE	7E 24	
1	C37	14	19
2	G12	20	17
3			
4	C37	19	19
5	G12	14	17
6	G12	1	17
7	G12	25	17
8			
9	G13	1	17
10	E19	8	9
11	C37	7	19
12	G13	14	17
13	F19	8	9
14			
15	C39	19	19
16	C39	7	19
17			
18	C37	22	19
19			
20			
21			
22			
23			
24			
25			
26			
27			
28			
	JACK	PIN	LG

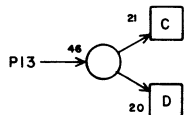
Entry Control Register D2



Clear D2



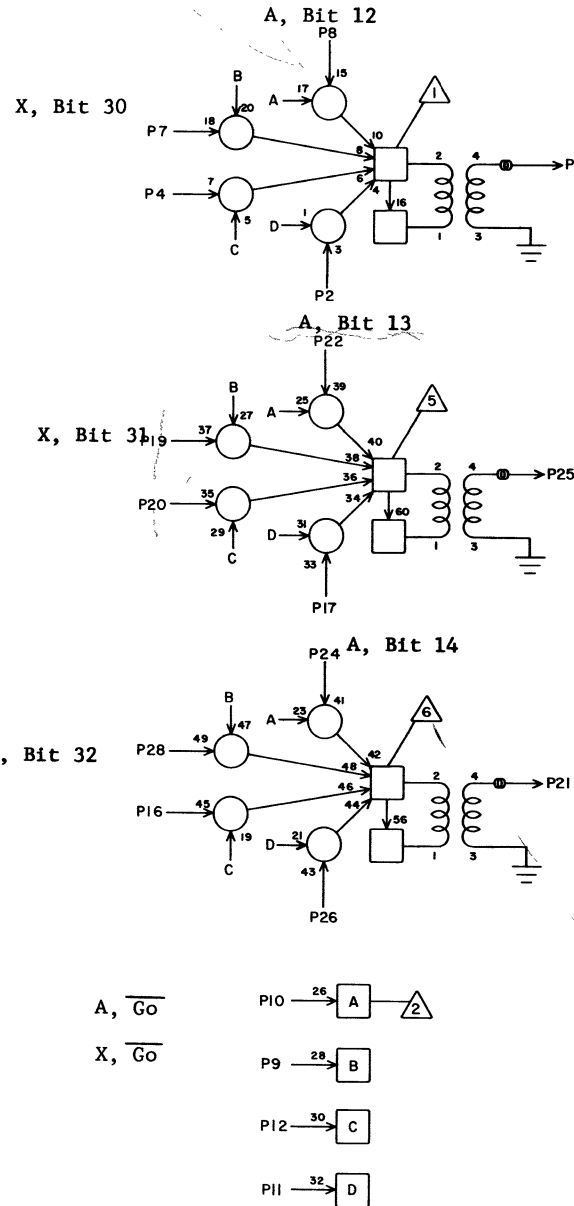
Transfer D2 to X2



RE 7E 25

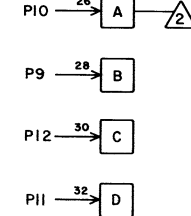
	JACK	PIN	LG
1	C41	7	19
2	G14	1	15
3			
4	C39	22	19
5	G13	25	17
6	G13	20	17
7	G14	14	15
8			
9	G14	20	15
10	E19	10	9
11	C39	14	19
12	G14	25	17
13	F19	10	9
14			
15	C41	22	19
16	C41	14	19
17			
18	C41	19	19
19			
20			
21			
22			
23			
24			
25			
26			
27			
28			

Exit Control: Trunk A & X to Memory



A, Go

X, Go



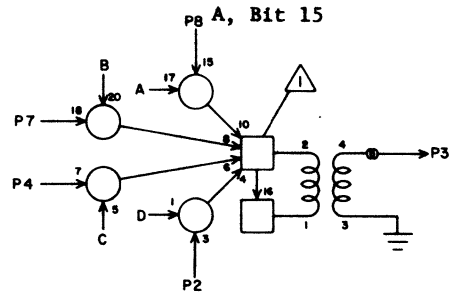
RG 7E 26

	JACK	PIN	LG
1			
2			
3	W09	94	
4			
5			
6			
7	E 4	12	23
8	A26	14	19
9	E31	12	7
10	E31	17	7
11	gnd		2
12	gnd		2
13			
14			
15			
16			
17			
18			
19	E 5	12	23
20			
21	W09	96	
22	A27	14	21
23			
24	A28	14	19
25	W09	95	
26			
27			
28	E 6	12	21

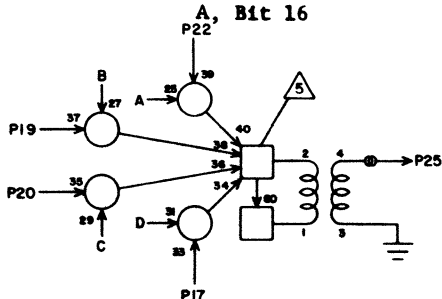
Exit Control: Trunk A & X to Memory  
RG

7E 27

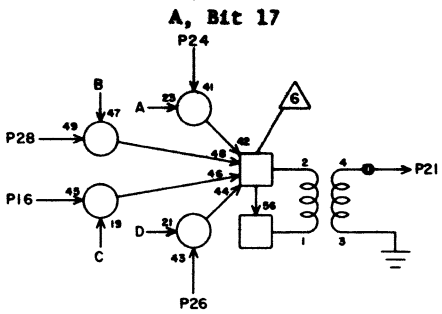
X, Bit 33



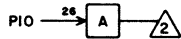
X, Bit 34



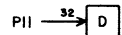
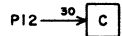
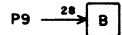
X, Bit 35



A,  $\overline{\text{Go}}$



X,  $\overline{\text{Go}}$



1			
2			
3	W09	97	
4			
5			
6			
7	E 7	12	21
8	A31	14	19
9	E31	2	7
10	E31	27	7
11	gnd		2
12	gnd		2
13			
14			
15			
16			
17			
18			
19	E 8	12	21
20			
21	W09	99	
22	A32	14	19
23			
24	A33	14	23
25	W09	98	
26			
27			
28	E 9	12	21

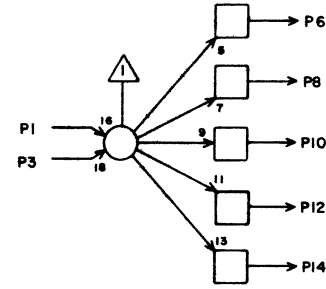
JACK PIN LG

63017300 Rev. D

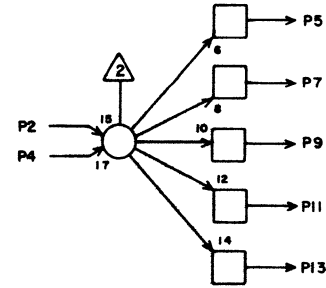
Entry Control Increment to A

7E 28

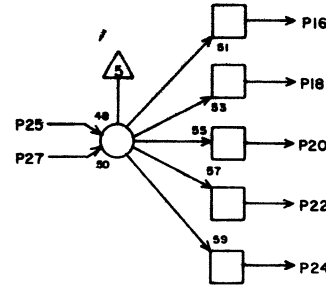
$\overline{\text{A0}}$



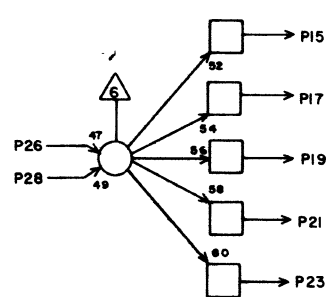
$\overline{\text{A1}}$



$\overline{\text{A2}}$



$\overline{\text{A3}}$

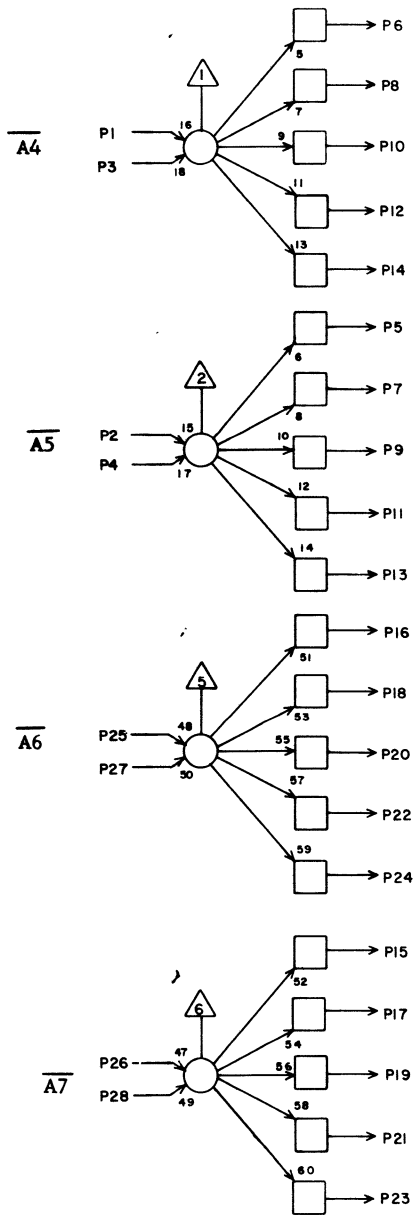


1	C20	28	13
2	C21	28	13
3	gnd		2
4	gnd		2
5	C27	25	11
6	C27	16	11
7	C29	25	11
8	C29	16	11
9	C31	25	11
10	C31	16	11
11	D28	25	9
12	D28	16	9
13	D30	25	9
14	D30	16	9
15	C27	6	11
16	C27	3	11
17	C29	6	11
18	C29	3	11
19	C31	6	13
20	C31	3	13
21	D28	6	9
22	D28	3	9
23	D30	6	9
24	D30	3	9
25	C22	28	13
26	C23	28	13
27	grd		2
28	Grd		2

JACK PIN LG

63017300 Rev. D

Entry Control Increment to A



7E29

T D 7E 29

1	C24	28	11
2	C25	28	11
3	gnd		2
4	gnd		2
5	C28	25	11
6	C28	16	11
7	C30	25	11
8	C30	26	11
9	D27	25	9
10	D27	16	9
11	D29	25	9
12	D29	16	9
13	D31	25	9
14	D31	16	9
15	C28	6	11
16	C28	3	11
17	C30	6	13
18	C30	3	13
19	D27	6	9
20	D27	3	9
21	D29	6	9
22	D29	3	9
23	D31	6	9
24	D31	3	9
25	D20	28	13
26	D21	28	13
27	gnd		2
28	gnd		2

JACK PIN LG

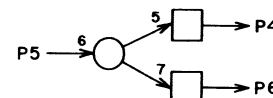
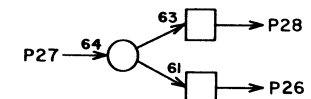
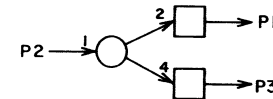
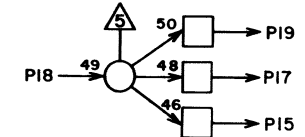
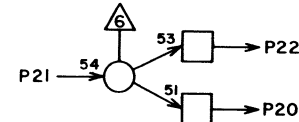
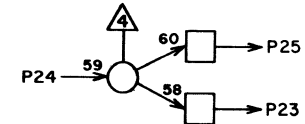
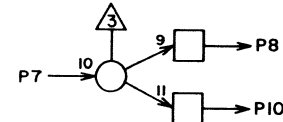
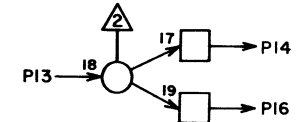
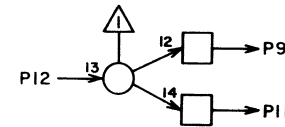
63017300 Rev D

LS 18060100  
ASSY

A  
REV

Serials 8 and up only

TQ



7E30

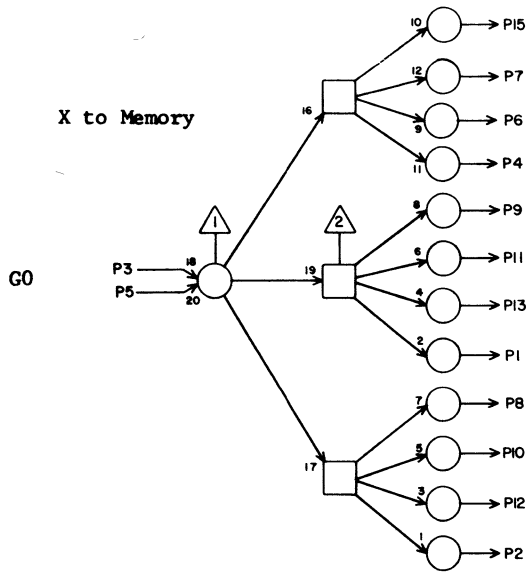
1	E31	14	15
2	E30	9	3
3			
4			
5			
6			
7			
8			
9	E30	2	3
10			
11			
12	H26	3	180
13	L34	13	41
14	R23	3	49
15			
16			
17			
18			
19			
20			
21	M34	22	45
22	M26	3	41
23			
24			
25			
26			
27			
28			

JACK PIN LG

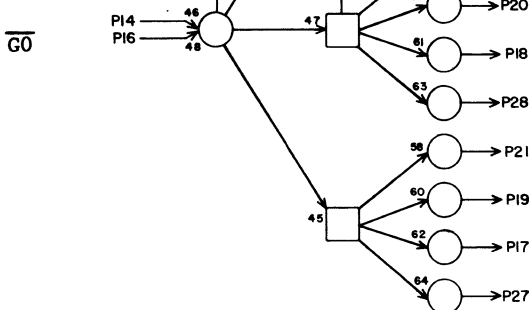
CIRCUIT SPECIFICATION 11827600

63017300 Rev. M

Exit Control



A and B to Memory



TC 7E 31

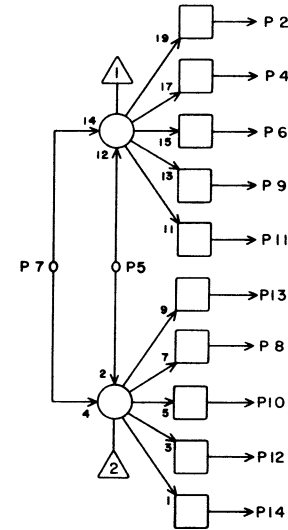
1	F33	9	7
2	E27	9	7
3	K24	18	120
4	F29	9	9
5	I15	2	25
6	F28	9	9
7	F27	9	9
8	F34	9	7
9	F30	9	7
10	F35	9	7
11	F31	9	7
12	E26	9	7
13	F32	9	7
14	E30	1	5
15	F26	9	9
16	I15	4	23
17	E26	10	7
18	F32	10	7
19	F35	10	7
20	F31	10	5
21	F34	10	7
22	F30	10	5
23	F27	10	9
24	F29	10	9
25	F26	10	9
26	F28	10	9
27	E27	10	7
28	F33	10	5

JACK PIN LG

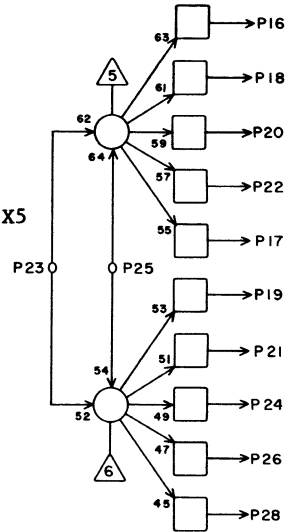
63017300 Rev N

Entry Control

Multiply to X4



Multiply to X5



HC 7E 32

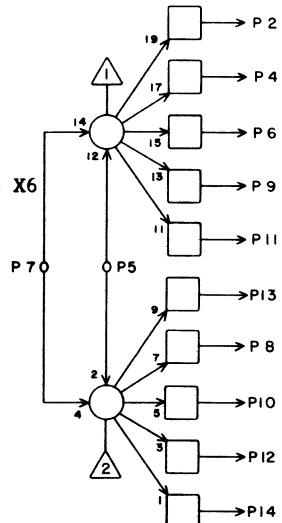
1			
2	D35	16	7
3			
4	D37	16	9
5	J20	23	84
6	D39	16	11
7	gnd		2
8	E38	16	9
9	D41	16	13
10	E40	16	11
11	E34	16	5
12	E42	16	13
13	E36	16	5
14			
15			
16	D35	25	7
17	E34	25	5
18	D37	25	9
19	E36	25	7
20	D39	25	11
21	E38	25	9
22	D41	25	13
23	gnd		2
24	E40	25	11
25	J21	23	84
26	E42	25	13
27			
28			

JACK PIN LG

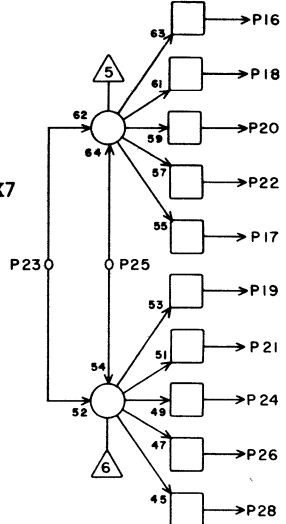
63017300 Rev. L

Entry Control

Multiply to X6



Multiply to X7



HC

7E33

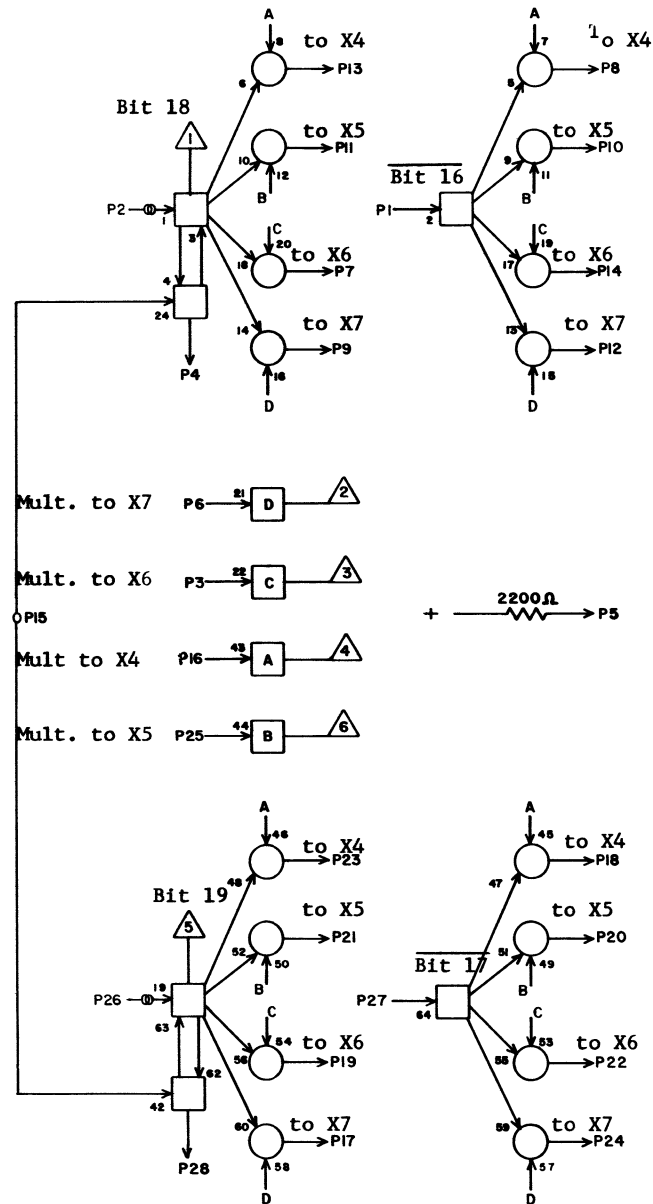
1			
2	D35	3	7
3			
4	D37	3	9
5	J22	23	84
6	D39	3	11
7	gnd		2
8	E38	3	9
9	D41	3	13
10	E40	3	11
11	E34	3	3
12	E42	3	11
13	E36	3	5
14			
15			
16	D35	6	9
17	E34	6	3
18	D37	6	9
19	E36	6	5
20	D39	6	11
21	E38	6	9
22	D41	6	13
23	gnd		2
24	E40	6	11
25	J23	23	84
26	E42	6	11
27			
28			

JACK PIN LG

63017300 Rev. L

Entry Control: Trunk Multiply to X RA

7E 34



JACK	PIN	LG
1	D42	4 11
2	W11	90
3	E33	11 3
4	D42	1 11
5	F38	3 9
6	E33	17 3
7	N20	22 39
8	L20	13 31
9	O20	22 41
10	M20	13 35
11	M20	22 35
12	O20	13 41
13	L20	22 31
14	N20	13 39
15	C35	10 11
16	E32	11 5
17	O20	23 41
18	L20	12 31
19	N20	23 33
20	M20	12 35
21	M20	23 35
22	N20	12 39
23	L20	23 31
24	O20	12 41
25	E32	17 5
26	W11	91
27	D42	28 11
28	D42	27 11

JACK PIN LG

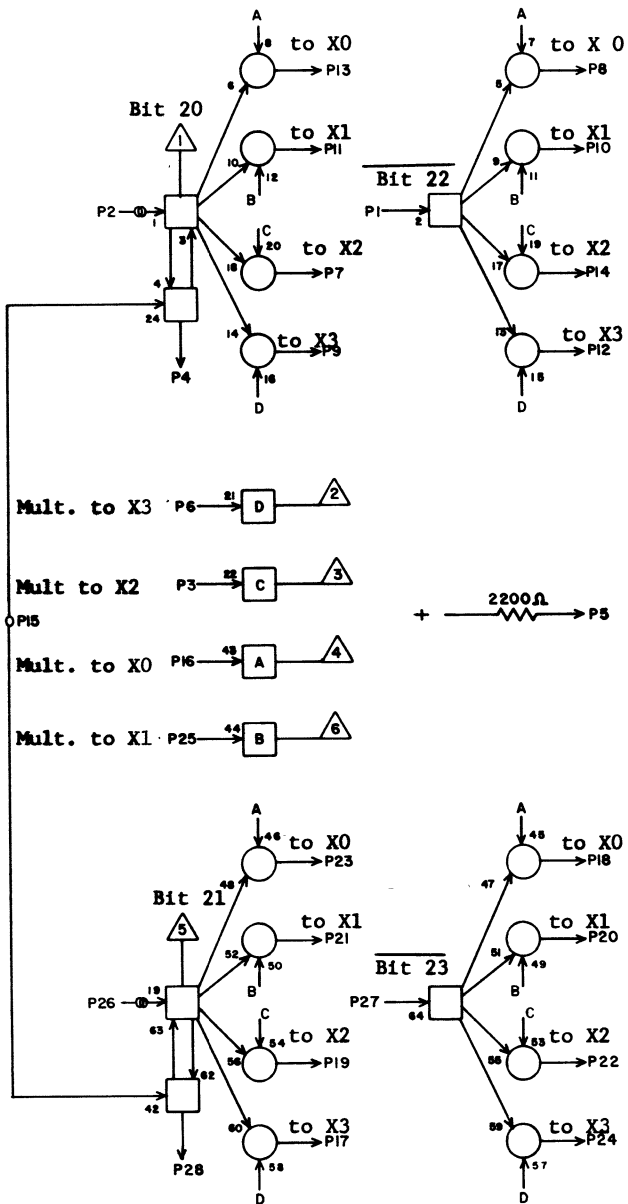
63017300 Rev. D

7E34



Entry Control: Trunk Multiply to X  
RA

7 E 35



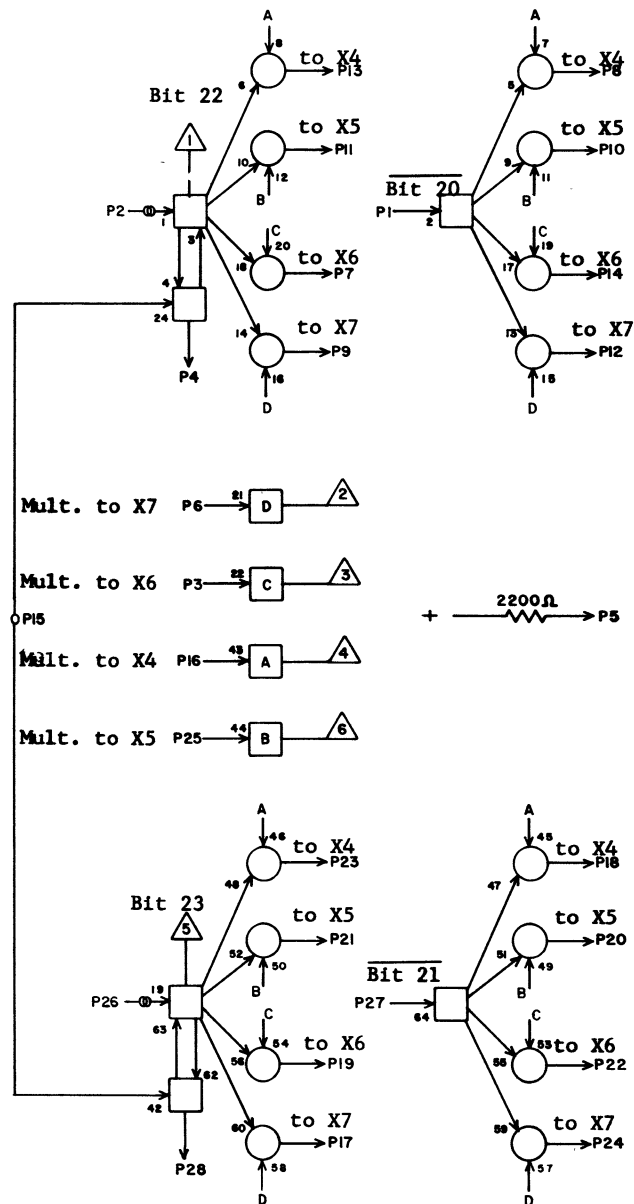
1	E36	4	3
2	W11	92	
3	D33	13	7
4	E36	1	3
5	F40	3	9
6	D33	19	5
7	F17	13	21
8	C17	22	23
9	G22	13	17
10	E14	22	23
11	E14	13	23
12	G22	22	17
13	C17	13	23
14	F17	22	21
15	C35	12	11
16	D32	13	7
17	G22	12	17
18	C17	23	23
19	F17	12	19
20	E14	23	23
21	E14	12	23
22	F17	23	19
23	C17	12	23
24	G22	23	17
25	D32	19	7
26	W11	93	
27	E36	28	3
28	E36	27	3

JACK PIN LG

63017300 Rev. D

Entry Control: Trunk Multiply to X  
RA

7E 36

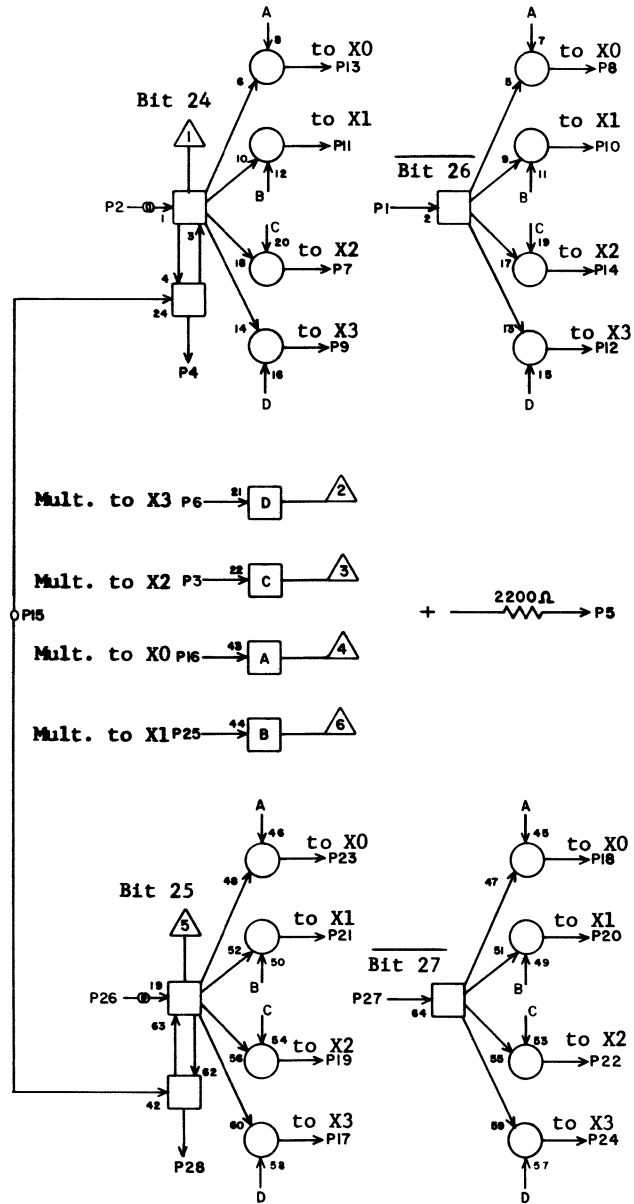


1	E35	4	3
2	W11	94	
3	E33	13	5
4	E35	1	3
5	F42	3	9
6	E33	19	5
7	N22	22	39
8	L22	13	31
9	O22	22	41
10	M22	13	35
11	M22	22	35
12	O22	13	41
13	L22	22	31
14	N22	13	39
15	C35	2	11
16	E32	13	5
17	O22	23	41
18	L22	12	31
19	N22	23	39
20	M22	12	35
21	M22	23	35
22	N22	12	39
23	L22	23	31
24	O22	12	41
25	E32	19	7
26	W11	95	
27	E35	28	3
28	E35	27	3

JACK PIN LG

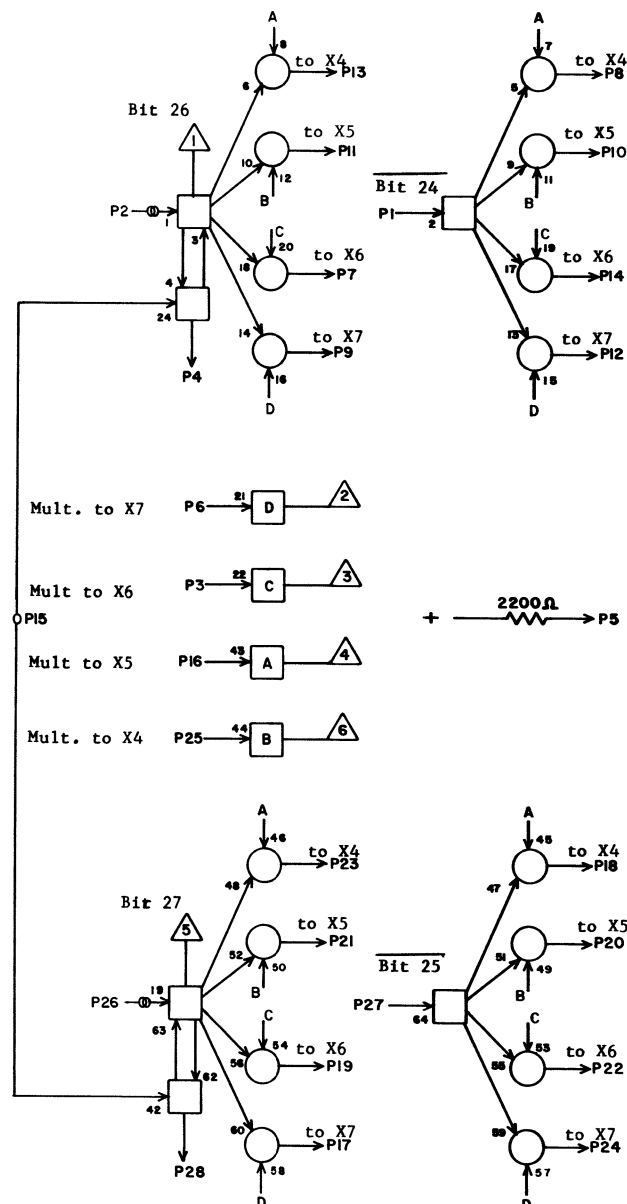
63017300 Rev. D

Entry Control: Trunk Multiply to X



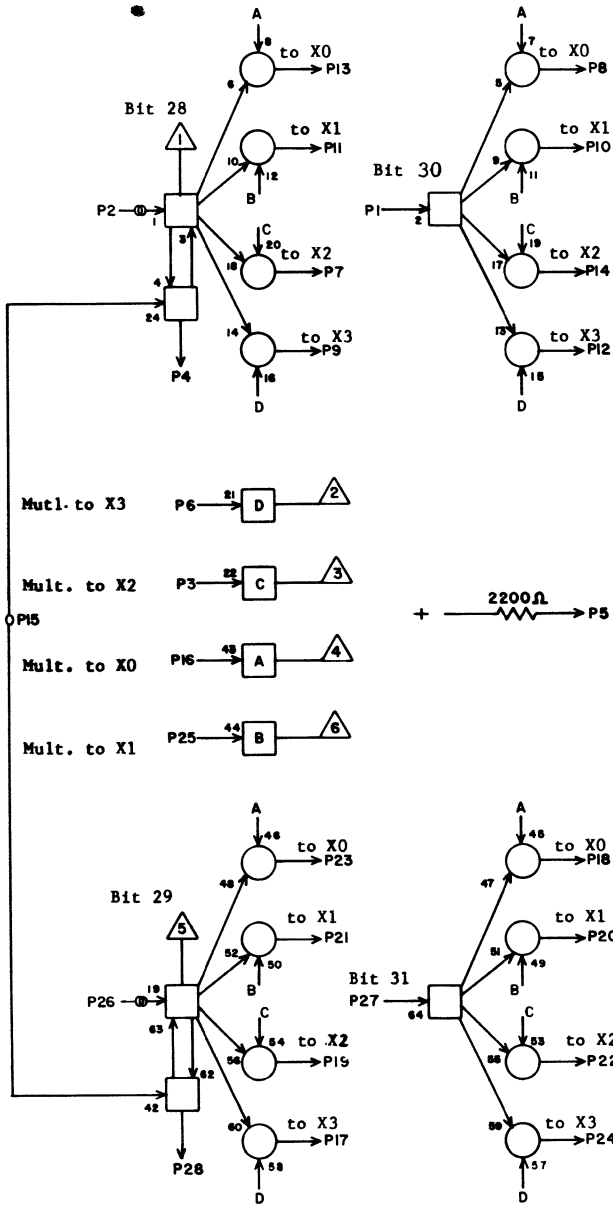
RA			
7E 37			
JACK	PIN	LG	
1	E38	4	3
2	W11	96	
3	D33	8	9
4	E38	1	3
5	G39	3	11
6	D33	21	9
7	G12	13	27
8	D12	22	27
9	G23	13	17
10	E15	22	23
11	E15	13	23
12	G23	22	17
13	D12	13	27
14	G12	22	27
15	C35	25	11
16	D32	8	9
17	G23	12	17
18	D12	23	27
19	G12	12	27
20	E15	23	23
21	E15	12	23
22	G12	23	27
23	D12	12	27
24	G23	23	17
25	D32	21	9
26	W11	97	
27	E38	28	3
28	E38	27	3

Entry Control: Trunk Multiply to X



RA			
7E 38			
JACK	PIN	LG	
1	E37	4	3
2	W11	98	
3	E33	8	9
4	E37	1	3
5	G41	3	11
6	E33	21	9
7	N23	22	39
8	L23	13	31
9	O23	22	41
10	M23	13	35
11	M23	22	35
12	O23	13	41
13	L23	22	33
14	N23	13	39
15	C35	23	11
16	E32	8	9
17	O23	23	41
18	L23	12	33
19	N23	23	39
20	M23	12	35
21	M23	23	35
22	N23	12	39
23	L23	23	33
24	O23	12	41
25	E32	21	9
26	W11	99	
27	E37	28	3
28	E37	27	3

Entry Control: Trunk  
Multiply to X



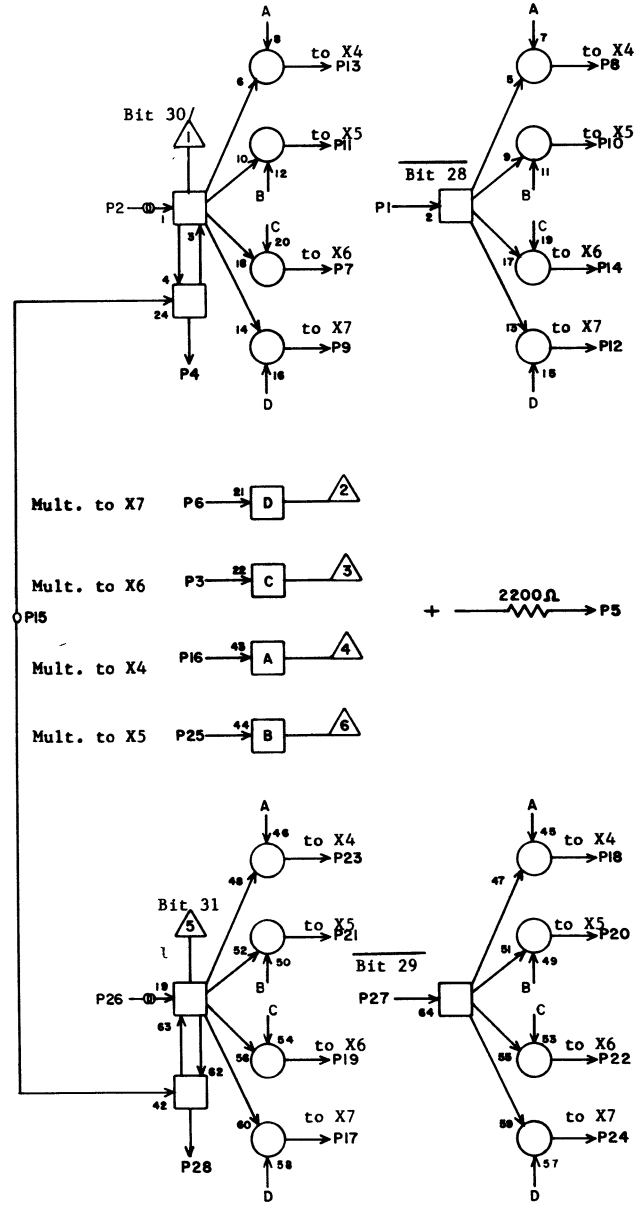
RA **7E 39**

1	E40	4	3
2	W11	900	
3	D33	10	9
4	E40	1	3
5			
6	D33	24	9
7	G13	13	27
8	D13	22	27
9	G24	13	19
10	E16	22	23
11	E16	13	23
12	G24	22	19
13	D13	13	27
14	G13	22	27
15	C35	26	11
16	D32	10	11
17	G24	12	19
18	D13	23	27
19	G13	12	27
20	E16	23	23
21	E16	12	23
22	G13	23	27
23	D13	12	27
24	G24	23	19
25	D32	24	11
26	W11	901	
27	E40	28	3
28	E40	27	3

JACK PIN LG

63017300 Rev. D

Entry Control: Trunk Multiply to X



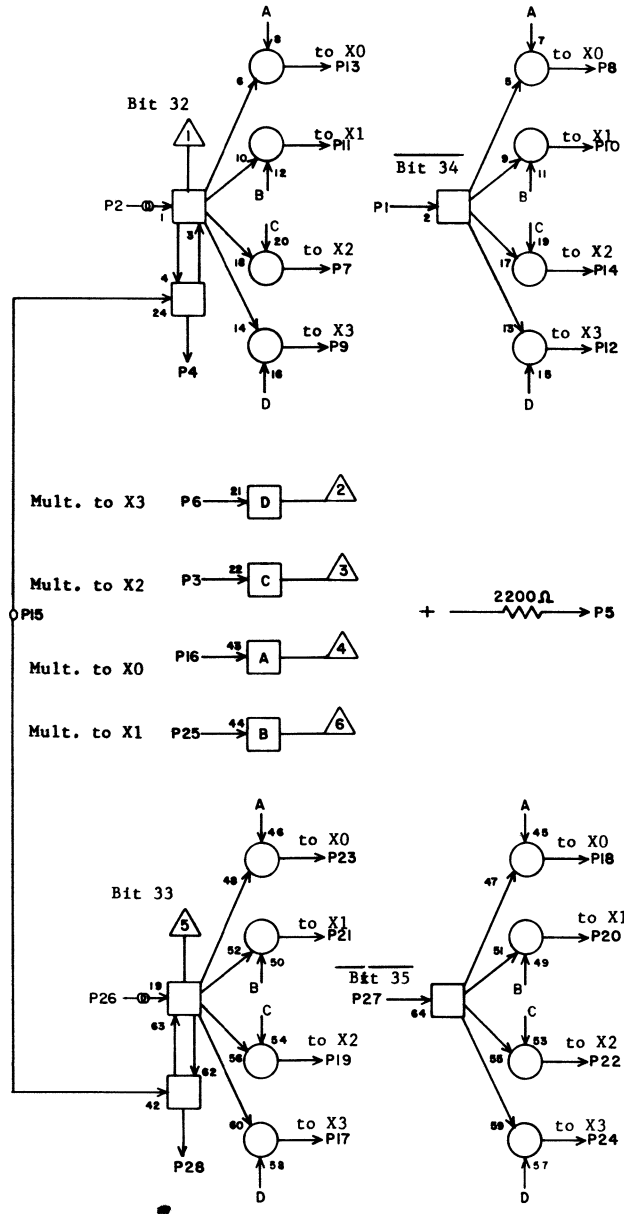
RA **7E 40**

1	E39	4	3
2	W11	902	
3	E33	10	11
4	E39	1	3
5			
6	E33	24	11
7	N24	22	39
8	L24	13	33
9	O24	22	41
10	M24	13	35
11	M24	22	35
12	O24	13	41
13	L24	22	35
14	N24	13	39
15	C35	24	13
16	E32	10	11
17	O24	23	41
18	L24	12	33
19	N24	23	39
20	M24	12	35
21	M24	23	35
22	N24	12	39
23	L24	23	33
24	O24	12	41
25	E32	24	11
26	W11	903	
27	E39	28	3
28	E39	27	3

JACK PIN LG

63017300 Rev. D

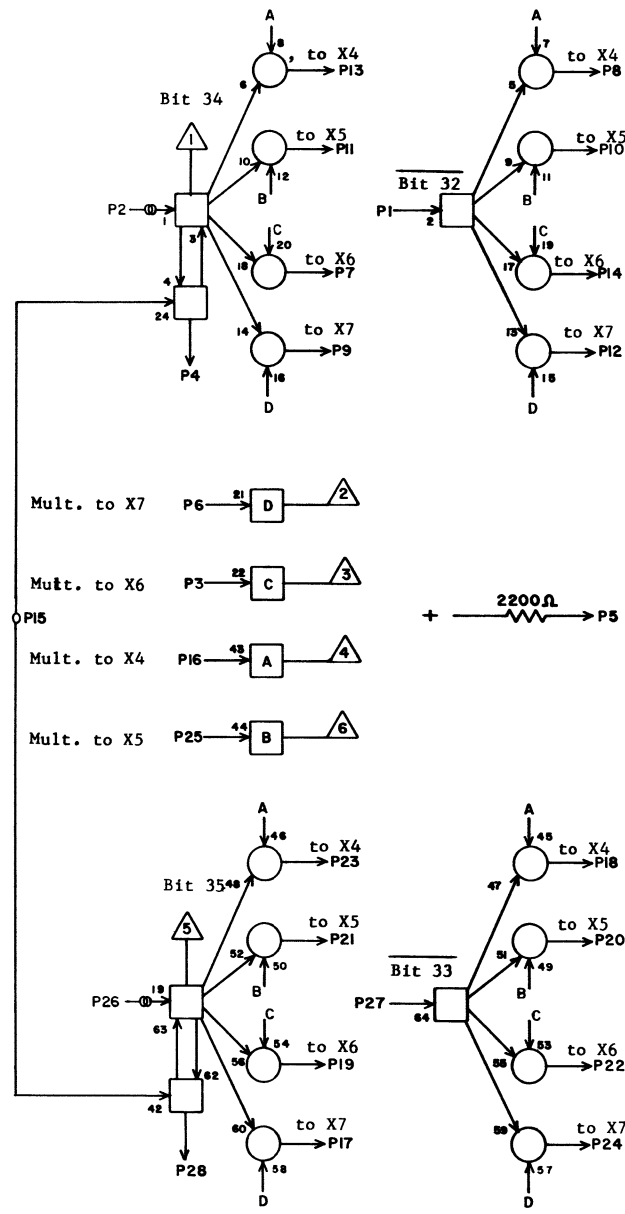
Entry Control: Trunk  
Multiply to X



RA			
7 E 41			
JACK	PIN	LG	
1	E42	4	3
2	W11	904	
3	D33	12	13
4	E42	1	3
5			
6	D33	26	13
7	G14	13	27
8	D14	22	27
9	G25	13	19
10	E17	22	23
11	E17	13	23
12	G25	22	19
13	D14	13	27
14	G14	22	27
15	C35	22	13
16	D32	12	13
17	G25	12	19
18	D14	23	27
19	G14	12	27
20	E17	23	23
21	E17	12	23
22	G14	23	27
23	D14	12	27
24	G25	23	19
25	D32	26	13
26	W11	905	
27	E42	28	3
28	E42	27	3

63017300 Rev. D

Entry Control: Trunk  
Multiply to X

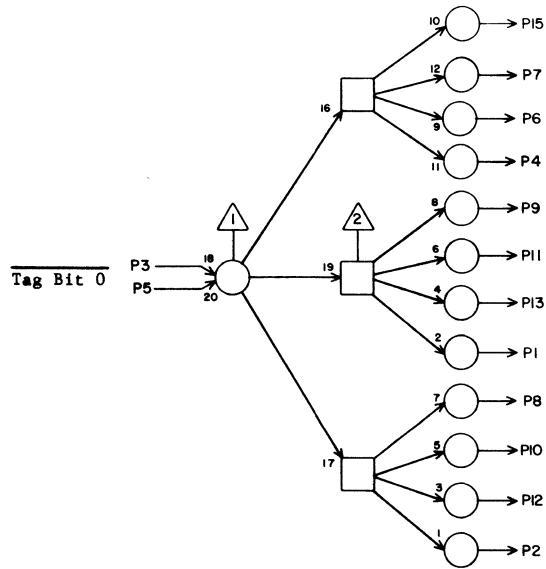


RA			
7E 42			
JACK	PIN	LG	
1	E41	4	5
2	W11	906	
3	E33	12	11
4	E41	1	3
5	G41	25	13
6	E33	26	11
7	N25	22	39
8	L25	13	33
9	O25	22	41
10	M25	13	35
11	M25	22	35
12	O25	13	41
13	L25	22	33
14	N25	13	39
15	C35	20	13
16	E32	12	13
17	O25	23	41
18	L25	12	33
19	N25	23	39
20	M25	12	35
21	M25	23	35
22	N25	12	35
23	L25	23	33
24	O25	12	41
25	E32	26	13
26	W11	907	
27	E41	28	3
28	E41	27	3

63017300 Rev. D

7E42

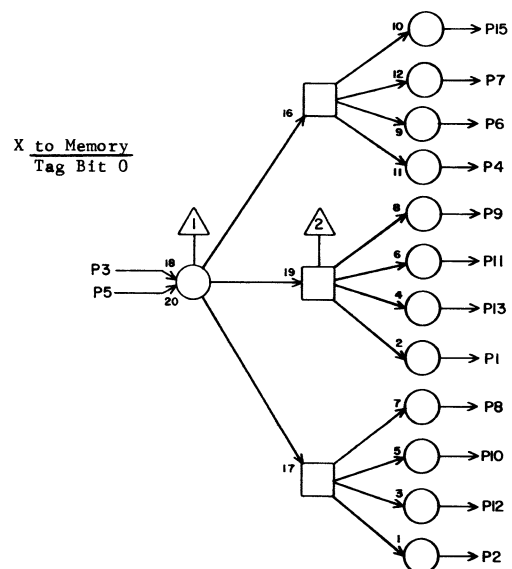
Exit Control X to Memory



TC		7F 1	
JACK	PIN	LG	
1	B 8	7	19
2	D 3	7	13
3	K 6	10	23
4	B 4	7	17
5	gnd		2
6	B 3	7	17
7	B 2	7	17
8	B 9	7	21
9	B 5	7	19
10	D 1	7	11
11	B 6	7	19
12	D 2	7	11
13	B 7	7	19
14	K 6	8	21
15	B 1	7	17
16	gnd		2
17	G 5	7	7
18	G 1	7	7
19	G 4	7	7
20	D 9	7	15
21	G 3	7	5
22	D 8	7	15
23	D 5	7	13
24	D 7	7	13
25	D 4	7	13
26	D 6	7	13
27	G 6	7	7
28	G 2	7	5

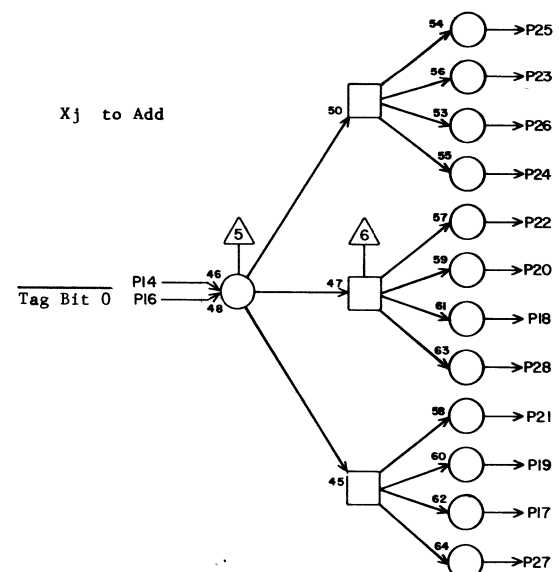
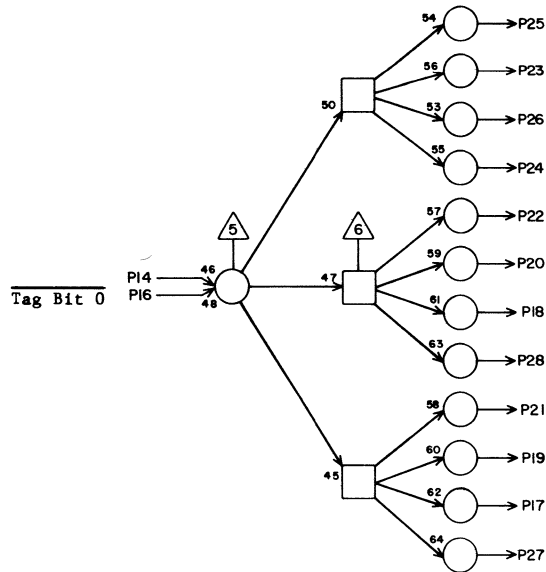
63017300 Rev. D

Exit Control



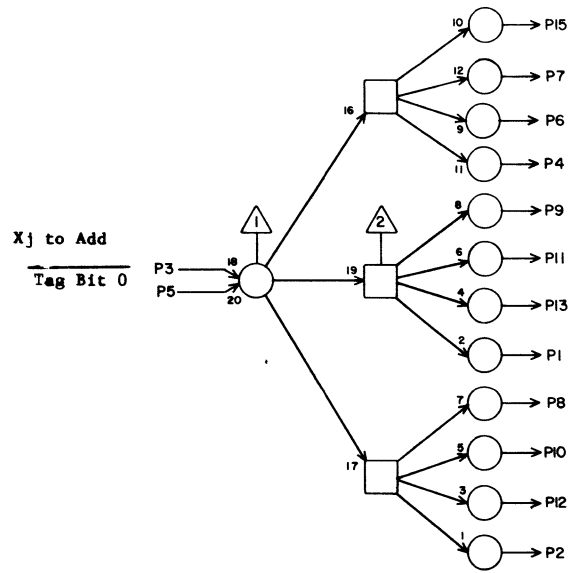
TC		7F 2	
JACK	PIN	LG	
1	I 6	7	15
2	G 9	7	11
3	K 6	5	21
4	I 2	7	15
5	gnd		2
6	I 1	7	15
7	G 8	7	9
8	I 7	7	17
9	I 3	7	15
10	I 8	7	15
11	I 4	7	15
12	I 9	7	17
13	I 5	7	15
14	K 6	21	23
15	G 7	7	9
16	gnd		2
17	D 2	16	11
18	B 7	16	19
19	D 1	16	11
20	B 6	16	19
21	B 9	16	21
22	B 5	16	19
23	B 2	16	19
24	B 4	16	19
25	B 1	16	19
26	B 3	16	19
27	D 3	16	11
28	B 8	16	21

63017300 Rev. D



7F2

Exit Control  
X Registers



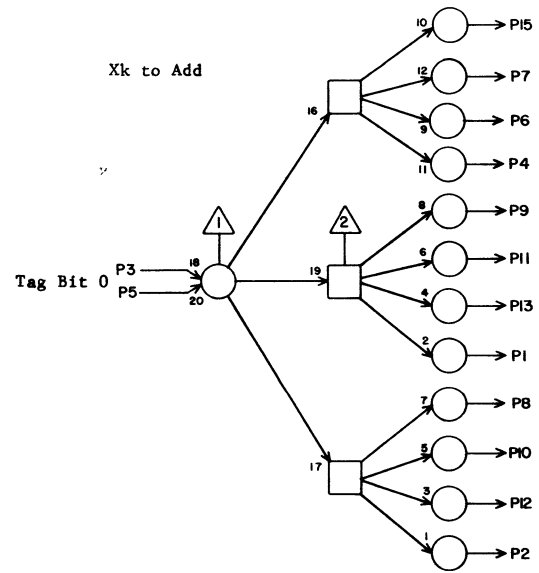
TC **7F 3**

1	G 2	16	7
2	G 6	16	7
3	K 6	19	23
4	D 7	16	11
5	gnd		2
6	D 6	16	11
7	D 5	16	11
8	G 3	16	9
9	D 8	16	11
10	G 4	16	9
11	D 9	16	11
12	G 5	16	9
13	G 1	16	9
14	K 6	17	23
15	D 4	16	13
16	Gnd		2
17	I 8	16	15
18	I 4	16	15
19	I 7	16	15
20	I 3	16	15
21	I 6	16	15
22	I 2	16	15
23	G 8	16	15
24	I 1	16	15
25	G 7	16	9
26	G 9	16	9
27	I 9	16	15
28	I 5	16	15

JACK PIN LG

63017300 Rev. D

Exit Control X Registers



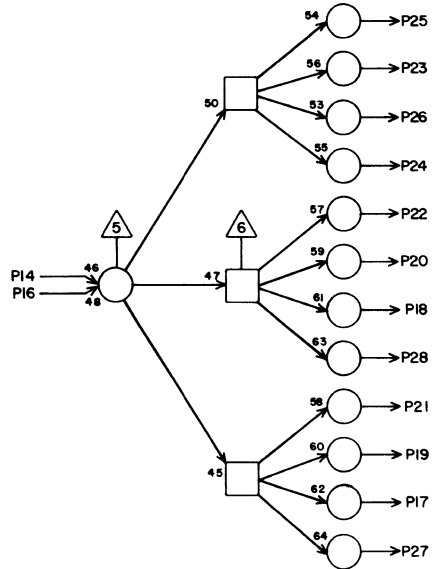
TC **7F 4**

1	H 8	7	13
2	J 3	7	19
3	K 7	10	23
4	H 4	7	11
5	gnd		2
6	H 3	7	11
7	H 2	7	11
8	H 9	7	13
9	H 5	7	11
10	J 1	7	17
11	H 6	7	11
12	J 2	7	17
13	H 7	7	11
14	K 7	8	23
15	H 1	7	11
16	gnd		2
17	E 2	7	9
18	C 7	7	17
19	E 1	7	9
20	C 6	7	15
21	C 9	7	17
22	C 5	7	15
23	C 2	7	15
24	C 4	7	15
25	C 1	7	17
26	C 3	7	15
27	E 3	7	9
28	C 8	7	17

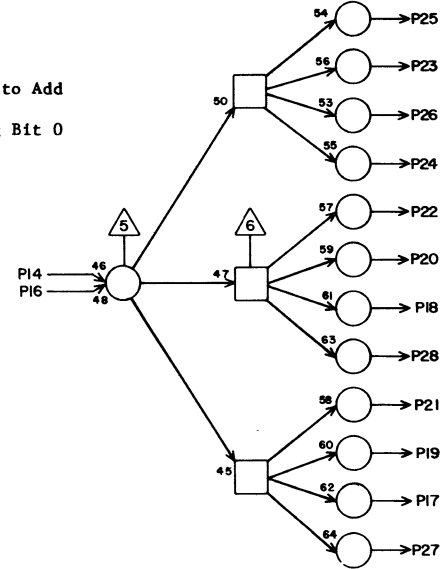
JACK PIN LG

63017300 Rev. D

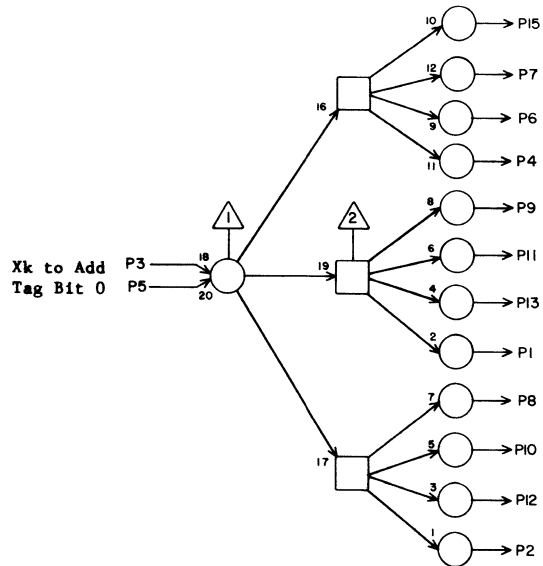
Xj to Add  
Tag Bit 0



Xk to Add  
Tag Bit 0



Exit Control



TC

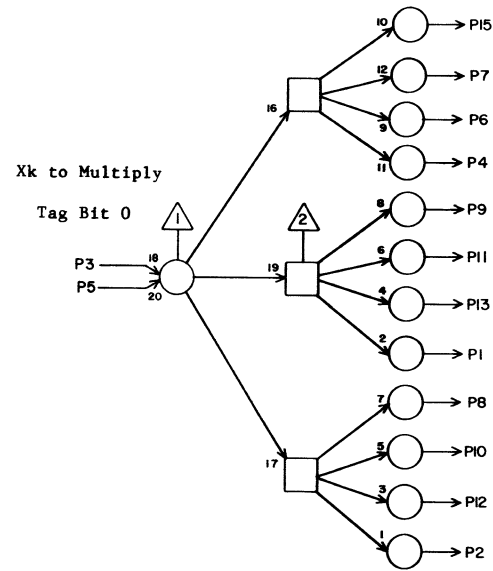
7 F 5

1	J 5	7	19
2	J 9	7	19
3	K 7	5	23
4	E 7	7	7
5	gnd		2
6	E 6	7	7
7	E 5	7	7
8	J 6	7	19
9	E 8	7	7
10	J 7	7	19
11	E 9	7	9
12	J 8	7	19
13	J 4	7	19
14	K 7	27	23
15	E 4	7	7
16	gnd		2
17	J 2	16	17
18	H 7	16	11
19	J 1	16	17
20	H 6	16	11
21	H 9	16	11
22	H 5	16	11
23	H 2	16	11
24	H 4	16	11
25	H 1	16	13
26	H 3	16	11
27	J 3	16	17
28	H 8	16	11

JACK PIN LG

63017300 Rev. D

Exit Control



TC

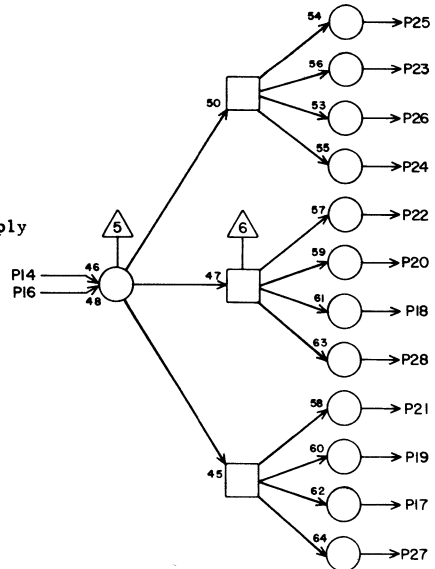
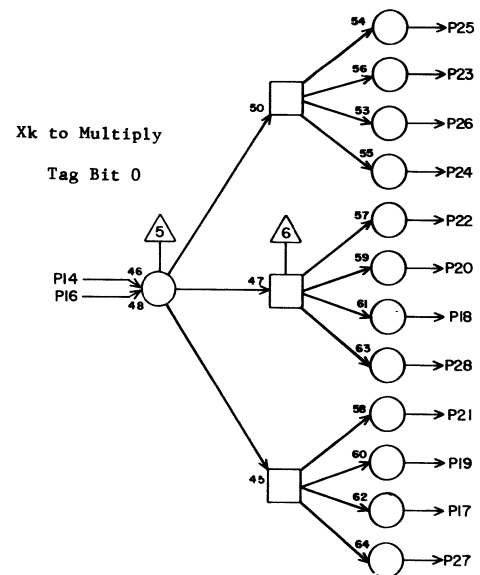
7 F 6

1	C 8	16	13
2	E 3	16	7
3	K 7	25	23
4	C 4	16	13
5	gnd		2
6	C 3	16	15
7	C 2	16	15
8	C 9	16	15
9	C 5	16	15
10	E 1	16	9
11	C 6	16	15
12	E 2	16	9
13	C 7	16	17
14	K 7	24	23
15	C 1	16	17
16	gnd		2
17	J 8	16	19
18	J 4	16	19
19	J 7	16	19
20	E 9	16	9
21	J 6	16	17
22	E 8	16	7
23	E 5	16	7
24	E 7	16	7
25	E 4	16	9
26	E 6	16	7
27	J 9	16	17
28	J 5	16	17

JACK PIN LG

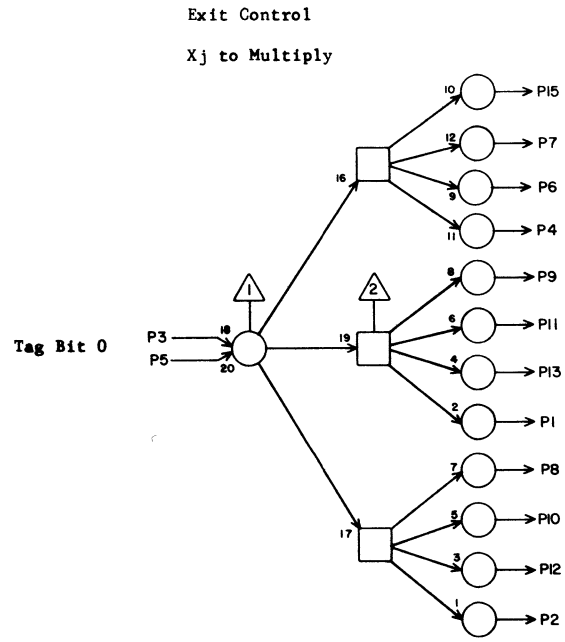
7F6

63017300 Rev. D

Xk to Multiply  
Tag Bit 0Xk to Multiply  
Tag Bit 0

7F6

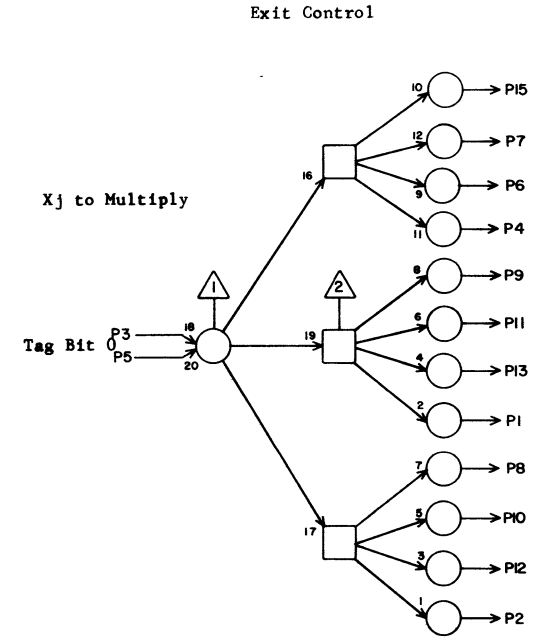
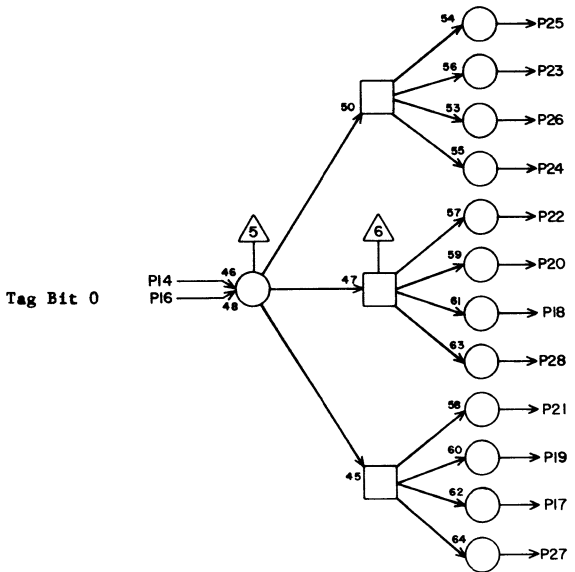
63017300 Rev. D



TC 7 F 7

1	H 8	6	13
2	J 3	6	19
3	K 7	21	23
4	H 4	6	11
5	gnd		2
6	H 3	6	11
7	H 2	6	13
8	H 9	6	11
9	H 5	6	11
10	J 1	6	19
11	H 6	6	11
12	J 2	6	19
13	H 7	6	11
14	K 7	19	21
15	H 1	6	11
16	gnd		2
17	E 2	6	11
18	C 7	6	17
19	E 1	6	11
20	C 6	6	15
21	C 9	6	17
22	C 5	6	15
23	C 2	6	17
24	C 4	6	17
25	C 1	6	17
26	C 3	6	17
27	E 3	6	11
28	C 8	6	17

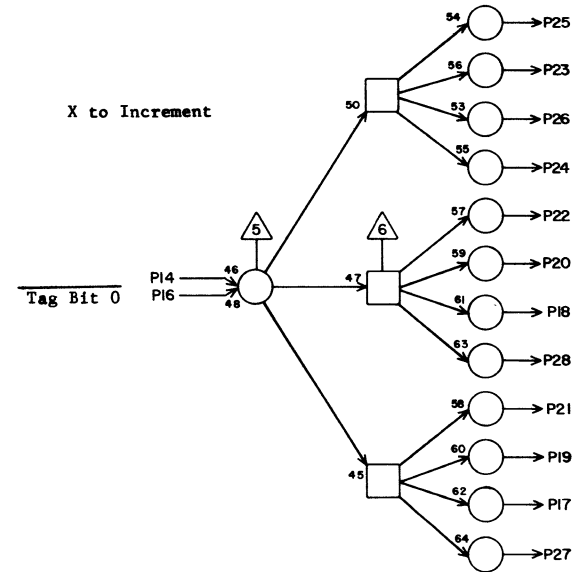
JACK PIN LG



TC 7 F 8

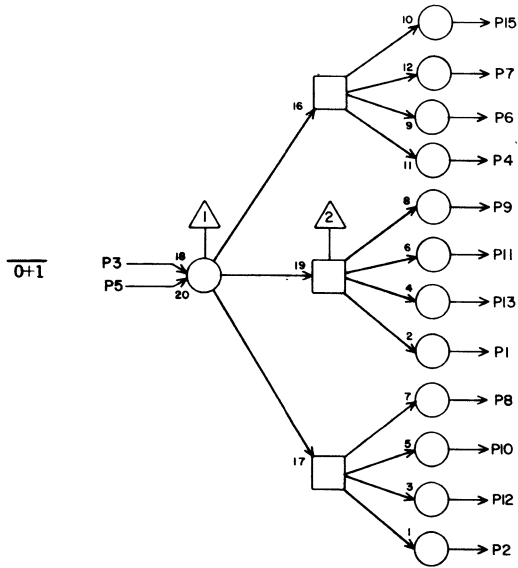
1	J 5	6	19
2	J 9	6	19
3	K 7	17	23
4	E 7	6	7
5	gnd		2
6	E 6	6	7
7	E 5	6	9
8	J 6	6	19
9	E 8	6	7
10	J 7	6	19
11	E 9	6	7
12	J 8	6	19
13	J 4	6	19
14	K 6	27	23
15	E 4	6	11
16	gnd		2
17	G 2	6	9
18	B 7	6	19
19	G 1	6	9
20	B 6	6	21
21	B 9	6	21
22	B 5	6	21
23	B 2	6	21
24	B 4	6	21
25	B 1	6	21
26	B 3	6	21
27	G 3	6	9
28	B 8	6	21

JACK PIN LG





Exit Control  
X to Memory



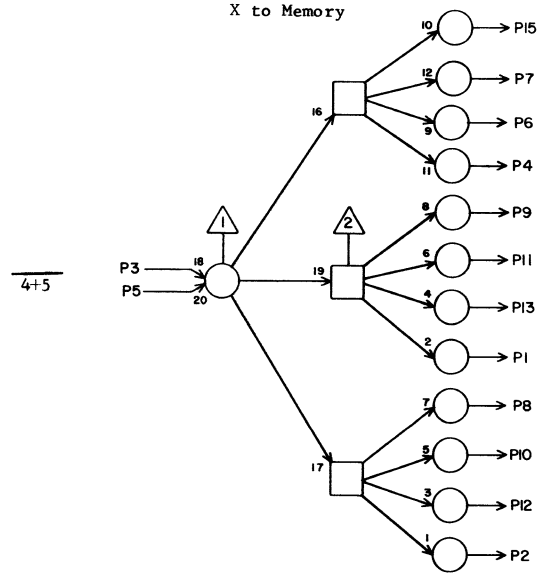
TC 7F 9

1	E 5	17	7
2	E 9	17	7
3	K 9	7	23
4	E 1	17	11
5	gnd		2
6	D 9	17	11
7	D 8	17	11
8	E 6	17	7
9	E 2	17	11
10	E 7	17	7
11	E 3	17	9
12	E 8	17	7
13	E 4	17	9
14	K 9	11	23
15	D 7	17	11
16	gnd		2
17	E 8	21	7
18	E 4	21	9
19	E 7	21	7
20	E 3	21	9
21	E 6	21	9
22	E 2	21	11
23	D 8	21	11
24	E 1	21	11
25	D 7	21	11
26	D 9	21	11
27	E 9	21	7
28	E 5	21	9

JACK PIN LG

63017300 Rev. D

Exit Control  
X to Memory



TC 7F 10

1	E 5	23	7
2	E 9	23	7
3	K 9	10	23
4	E 1	23	11
5	gnd		2
6	D 9	23	11
7	D 8	23	11
8	E 6	23	7
9	E 2	23	11
10	E 7	23	7
11	E 3	23	9
12	E 8	23	7
13	E 4	23	9
14	K 9	17	23
15	D 7	23	11
16	gnd		2
17	E 8	13	7
18	E 4	13	11
19	E 7	13	7
20	E 3	13	11
21	E 6	13	9
22	E 2	13	13
23	D 8	13	11
24	E 1	13	13
25	D 7	13	13
26	D 9	13	11
27	E 9	13	7
28	E 5	13	11

JACK PIN LG

63017300 Rev. D

0+1

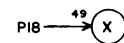
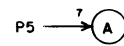
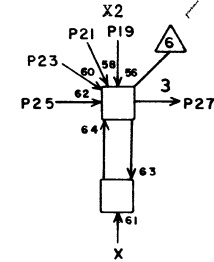
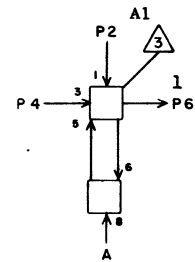
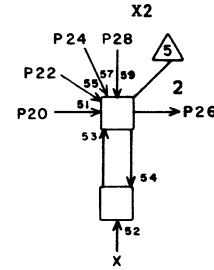
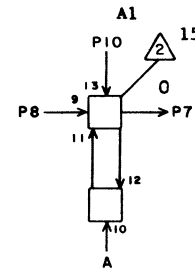
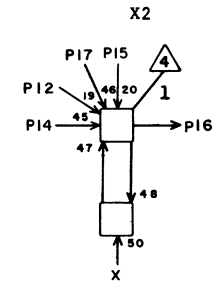
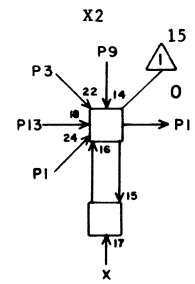
4+5

2+3

6+7

7F10

Operating Registers

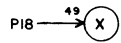
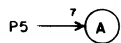
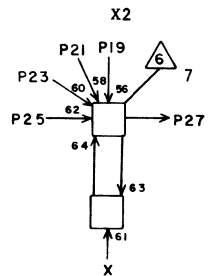
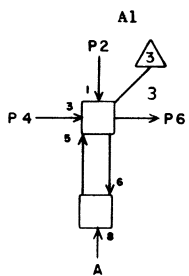
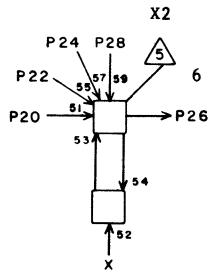
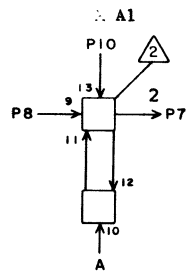
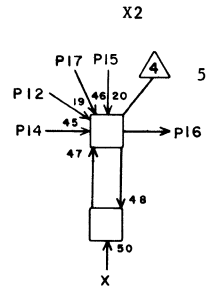
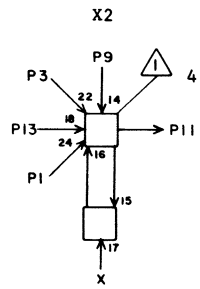


RD 7F 12

1	E 20	6	11
2	gnd		2
3	H37	7	27
4	C27	21	21
5	F18	26	9
6	A13	25	23
7	A13	7	23
8	C27	9	21
9	H12	5	11
10	gnd		2
11	G 1	8	13
12	D34	19	23
13	D34	7	23
14	E20	5	11
15	H12	19	11
16	G 2	8	13
17	H37	19	27
18	G18	2	9
19	H12	22	11
20	E20	2	11
21	H37	22	27
22	D34	14	23
23	D34	22	23
24	H37	14	27
25	E20	7	11
26	G 3	8	11
27	G 4	8	11
28	H12	14	11

JACK PIN LG

Operating Registers



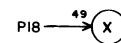
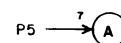
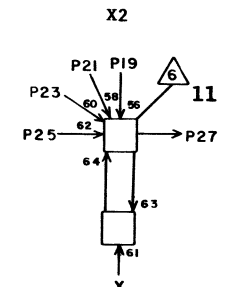
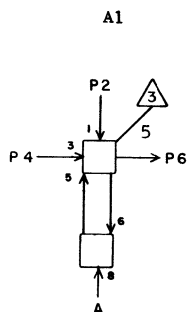
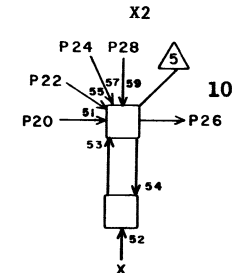
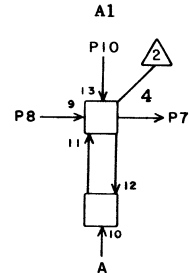
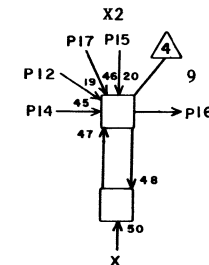
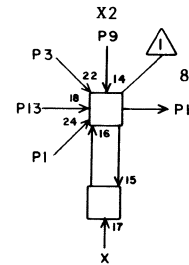
RD

7F 13

1	E20	9	11
2	gnd		2
3	H39	7	27
4	C27	20	21
5	F18	18	9
6	A14	25	23
7	A14	7	23
8	C27	10	21
9	H14	5	11
10	gnd		2
11	G 5	8	11
12	D36	19	25
13	D36	7	25
14	E20	12	11
15	H14	19	11
16	G 6	8	11
17	H39	19	27
18	G18	4	9
19	H14	22	11
20	E21	6	13
21	H39	22	27
22	D36	14	25
23	D36	22	25
24	H39	14	27
25	E21	5	13
26	G7	8	9
27	G8	8	9
28	H14	14	11

JACK PIN LG

Operating Registers



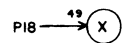
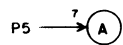
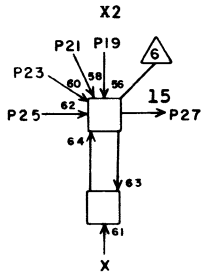
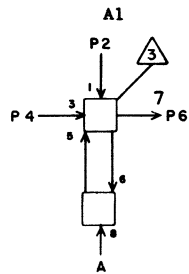
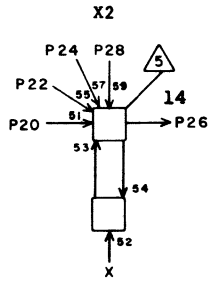
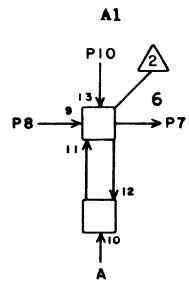
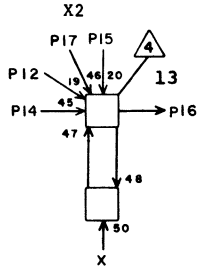
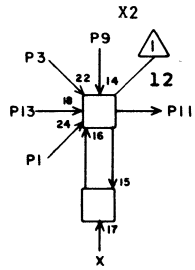
RD

7F 14

1	E21	2	11
2	gnd		2
3	H41	7	27
4	C29	21	21
5	F18	20	7
6	A15	25	23
7	A15	7	23
8	C29	9	21
9	H17	5	11
10	gnd		2
11	G 9	8	9
12	D38	19	25
13	D38	7	25
14	E21	7	11
15	H17	19	11
16	H 1	20	17
17	H41	19	27
18	G18	6	9
19	H17	22	11
20	E21	9	11
21	H41	22	27
22	D38	14	25
23	D38	22	25
24	H41	14	27
25	E21	12	11
26	H 2	20	17
27	H 3	20	15
28	H17	14	11

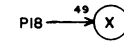
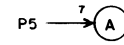
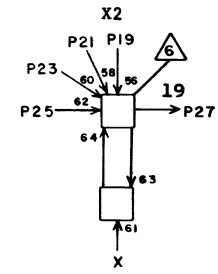
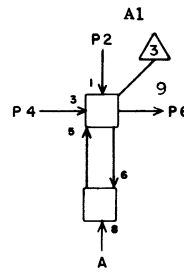
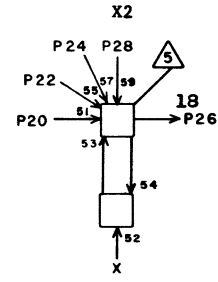
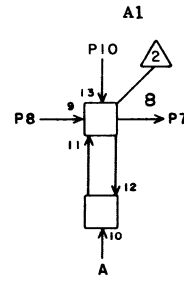
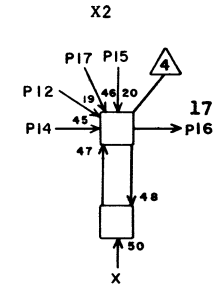
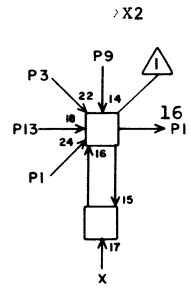
JACK PIN LG

Operating Registers



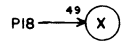
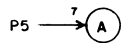
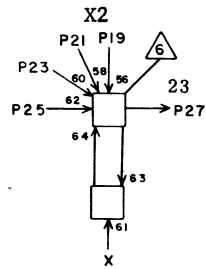
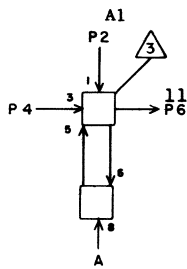
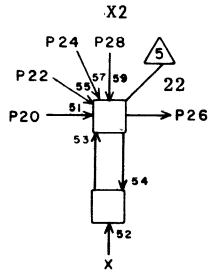
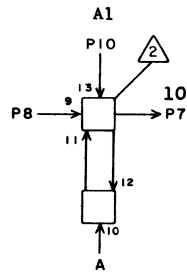
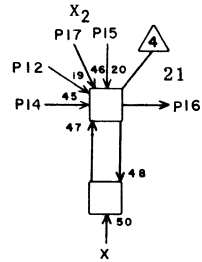
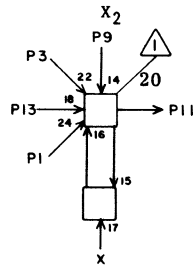
RD		7F 15	
1	E22	6	11
2	gnd		2
3	J37	7	29
4	C29	20	19
5	F18	22	7
6	A16	25	23
7	A16	7	23
8	C29	10	21
9	H21	5	13
10	gnd		2
11	H 4	20	17
12	D40	19	27
13	D40	7	27
14	E22	5	11
15	H21	19	13
16	H 5	20	15
17	J37	19	29
18	G18	9	9
19	H21	22	13
20	E22	2	11
21	J37	22	29
22	D40	14	29
23	D40	22	27
24	J37	14	29
25	E22	7	11
26	H 6	20	13
27	H 7	20	13
28	H21	14	13
JACK	PIN	LG	

Operating Registers



RD		7F 16	
1	E22	9	9
2	gnd		2
3	J39	7	29
4	C31	21	21
5	F18	17	7
6	A17	25	23
7	A17	7	23
8	C31	9	21
9	H23	5	13
10	gnd		2
11	H 8	20	15
12	D42	19	27
13	D42	7	27
14	E22	12	9
15	H23	19	13
16	H 9	20	13
17	J39	19	29
18	G18	11	7
19	H23	22	13
20	E23	6	11
21	J39	22	29
22	D42	14	27
23	D42	22	27
24	J39	14	29
25	E23	5	11
26	I1	8	19
27	I 2	8	19
28	H23	14	13
JACK	PIN	LG	

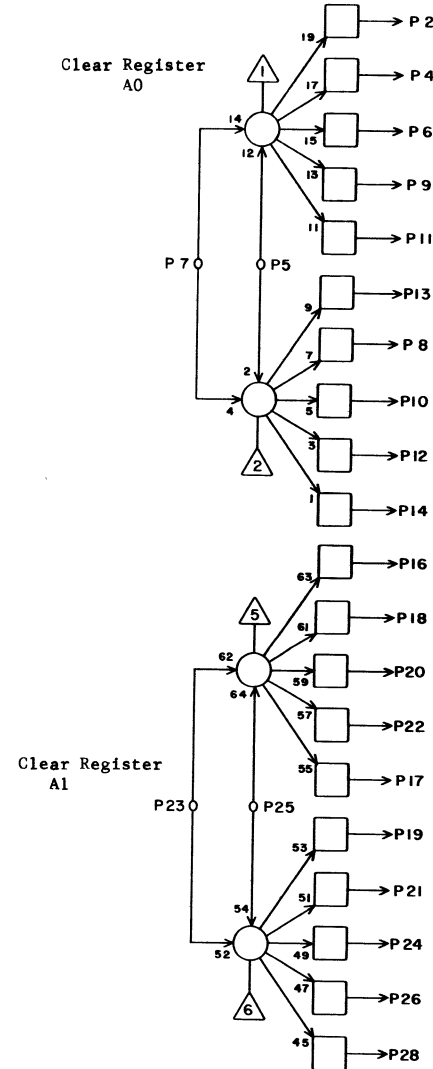
Operating Registers



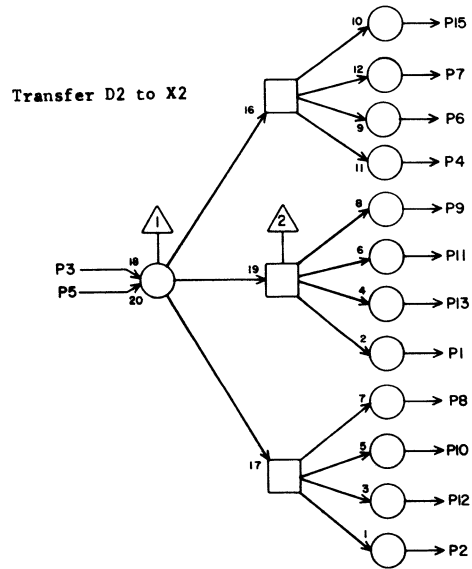
RD <span style="border: 1px solid black; padding: 2px;">7F 17</span>			
JACK	PIN	LG	
1	E23	2	11
2	gnd		2
3	J41	7	29
4	C31	20	21
5	F18	19	5
6	A19	25	23
7	A19	7	23
8	C31	10	21
9	J12	5	19
10	gnd		2
11	I 3	8	19
12	E35	19	19
13	E35	7	21
14	E23	7	11
15	J12	19	19
16	I 4	8	19
17	J41	19	29
18	G18	13	7
19	J12	22	19
20	E23	9	11
21	J41	22	29
22	E35	14	21
23	E35	22	19
24	J41	14	29
25	E23	12	11
26	I 5	8	17
27	I 6	8	17
28	J12	14	19

HC 7F 18

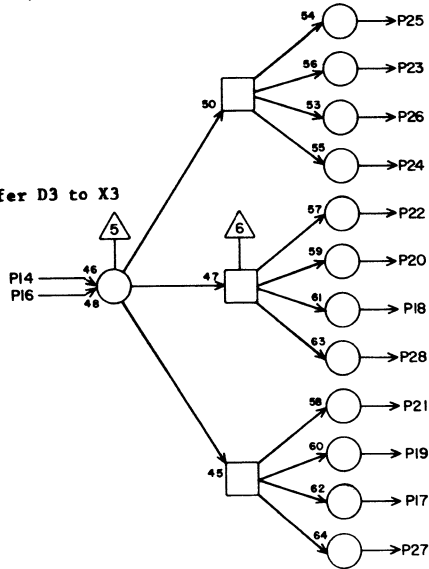
JACK	PIN	LG	
1			
2	G15	5	7
3			
4	G16	5	7
5	C20	24	13
6	G17	5	7
7	I16	21	15
8	G23	5	9
9	G20	5	9
10	G24	5	11
11	G21	5	9
12	G25	5	11
13	G22	5	9
14			
15			
16	F12	5	9
17	F16	5	7
18	F13	5	9
19	F17	5	5
20	F14	5	7
21	G12	5	9
22	F15	5	7
23	I16	24	15
24	G13	5	7
25	C21	24	15
26	G14	5	7
27			
28			



Entry Control



Transfer D3 to X3



TC

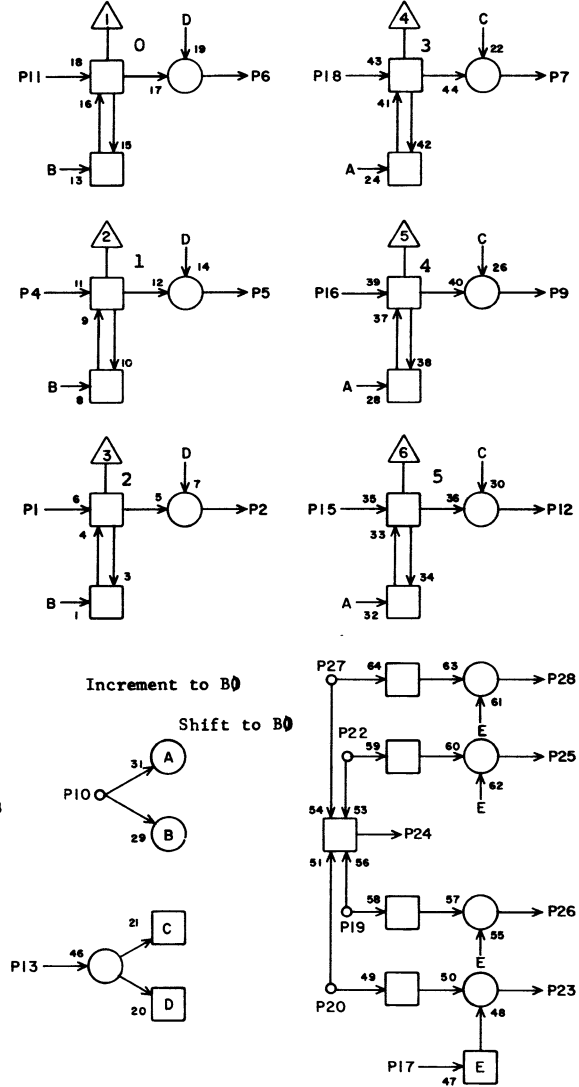
7 F 19

1			
2			
3	E22	28	9
4			
5	gnd		2
6			
7	E21	13	7
8	E24	13	9
9	E22	13	7
10	E25	13	9
11	E23	13	7
12			
13			
14	E23	28	7
15	E20	13	7
16	gnd		2
17			
18			
19	F25	13	9
20	F23	13	9
21	F24	13	9
22	F22	13	5
23	F21	13	5
24			
25	F20	13	5
26			
27			
28			

JACK PIN LG

Entry Control

Register D3



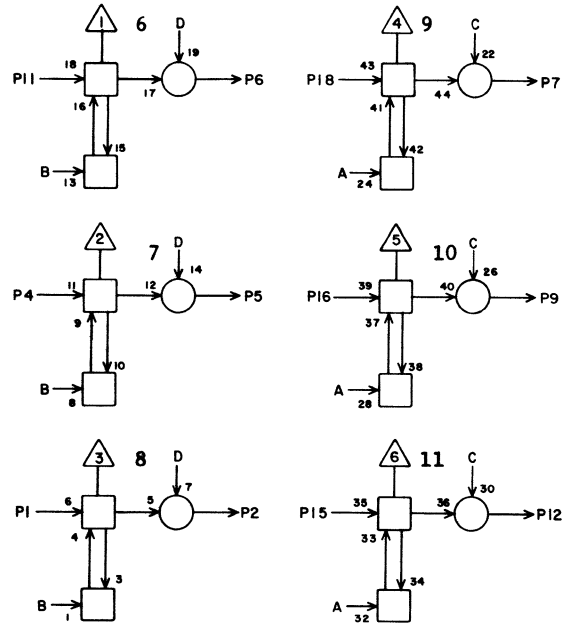
RE

7 F 20

1	A37	12	27
2	G15	20	9
3			
4	A37	17	27
5	G15	14	9
6	G15	1	9
7	G15	25	9
8			
9	G16	1	9
10	E19	16	5
11	A37	9	27
12	G16	14	9
13	F19	25	5
14			
15	A39	17	29
16	A39	9	29
17	I19	9	13
18	A37	24	27
19			
20			
21			
22	K34	12	25
23			
24			
25			
26			
27	K33	12	23
28	M28	1	27

JACK PIN LG

Entry Control Register D3

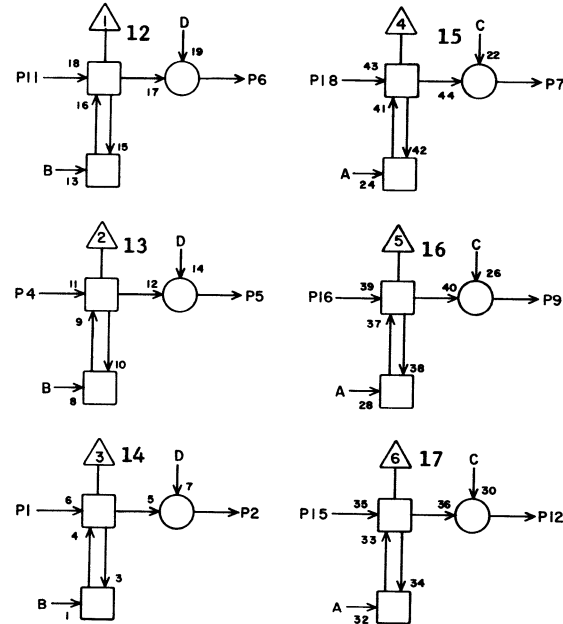


RE 7F 21

1	A41	9	29
2	G17	1	9
3			
4	A39	24	27
5	G16	25	11
6	G16	20	9
7	G17	14	9
8			
9	G17	20	9
10	E19	18	5
11	A39	12	27
12	G17	25	9
13	F19	23	7
14			
15	A41	24	27
16	A41	12	27
17	I19	11	15
18	A41	17	27
19			
20			
21			
22	K34	13	25
23			
24	L21	25	25
25	P36	2	41
26			
27	K33	13	23
28	M28	2	27

JACK PIN LG

Entry Control Register D3



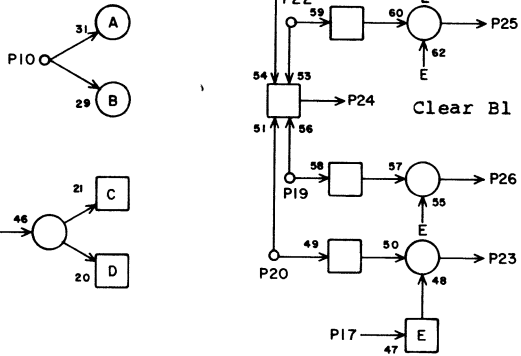
RE 7F22

1	B37	12	25
2	G20	20	9
3			
4	B37	17	25
5	G20	14	9
6	G20	1	9
7	G20	25	9
8			
9	G21	1	5
10	E19	20	7
11	B37	9	25
12	G21	14	7
13	F19	22	5
14			
15	B39	17	27
16	B39	9	25
17	I19	13	15
18	B37	24	25
19			
20			
21			
22	K34	8	23
23			
24	M21	5	29
25	P36	25	43
26			
27	K33	8	23
28	M28	25	31

JACK PIN LG

Increment to B1

Shift to B1



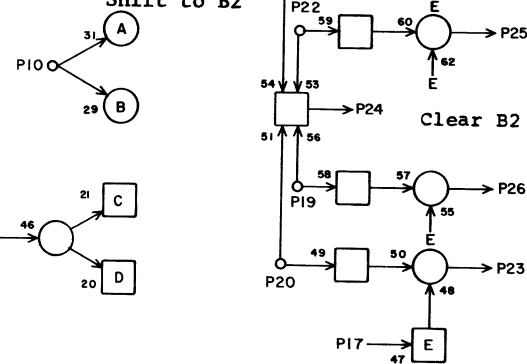
Clear B1

Increment to B2

Shift to B2

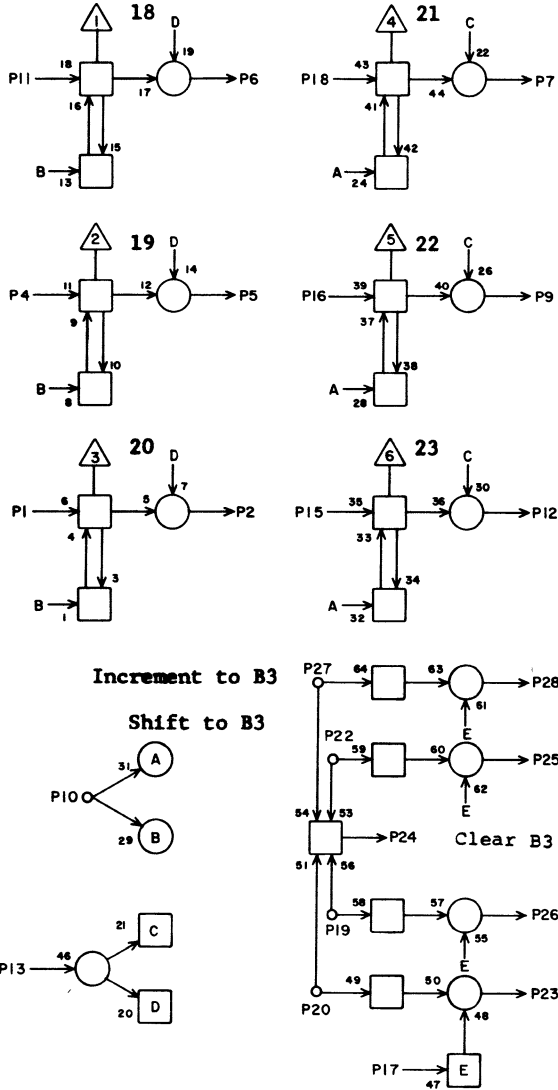
Clear X3

Transfer D3 to X3



Clear B2

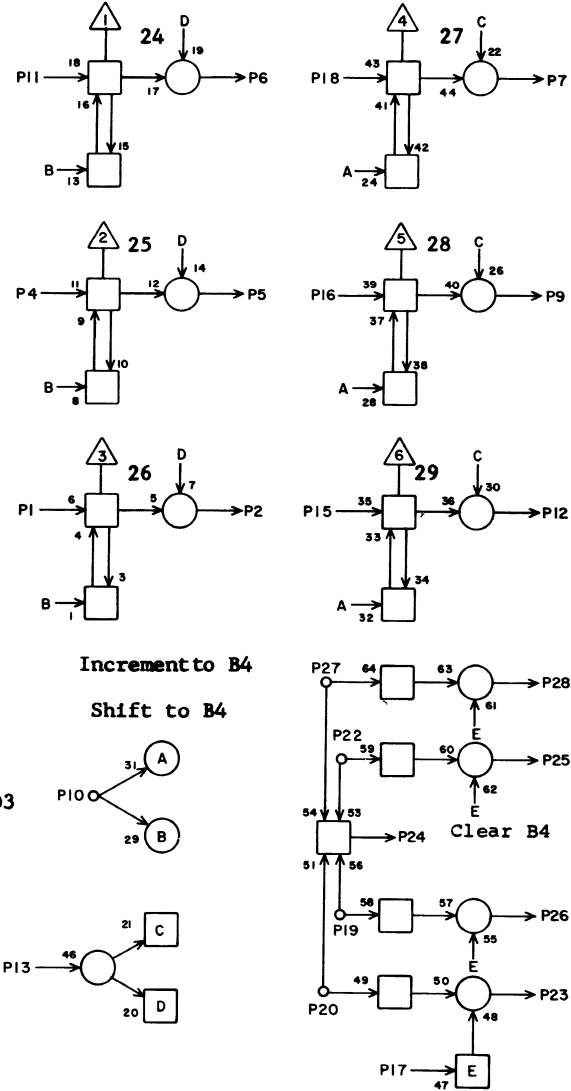
Entry Control  
Register D3



RE		7F 23	
1	B41	9	27
2	G22	1	7
3			
4	B39	24	23
5	G21	25	9
6	G21	20	9
7	G22	14	7
8			
9	G22	20	7
10	E19	19	7
11	B39	12	23
12	G22	25	7
13	F19	20	9
14			
15	B41	24	27
16	B41	12	27
17	I19	1	13
18	B41	17	27
19			
20			
21			
22	K34	10	23
23			
24	M21	25	31
25	P36	26	43
26			
27	K33	10	23
28	M28	26	31
	JACK	PIN	LG

63017300 Rev. D

Entry Control  
Register D3

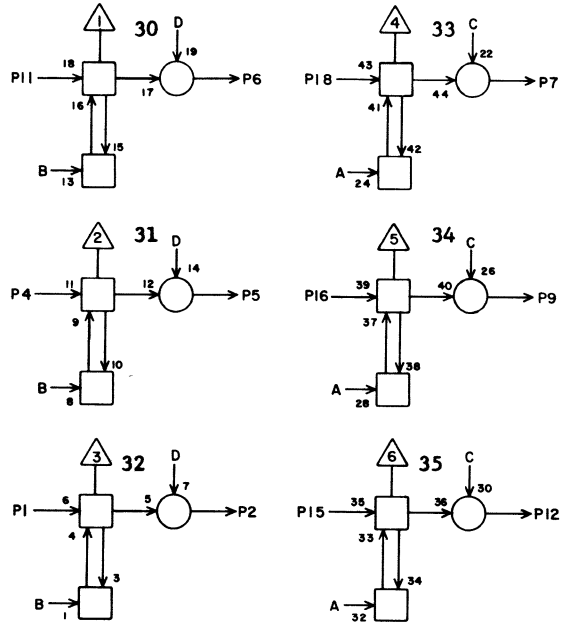


RE		7F 24	
1	C37	12	19
2	G23	20	7
3			
4	C37	17	19
5	G23	14	7
6	G23	1	7
7	G23	25	7
8			
9	G24	1	5
10	E19	21	9
11	C37	9	19
12	G24	14	7
13	F19	21	9
14			
15	C39	17	21
16	C39	9	21
17	I19	8	15
18	C37	24	19
19			
20			
21			
22	K34	6	23
23			
24	Q11	5	43
25	P37	1	41
26			
27	K33	6	21
28	N28	1	33
	JACK	PIN	LG

63017300 Rev. D



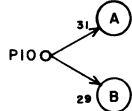
Entry Control  
Register D3



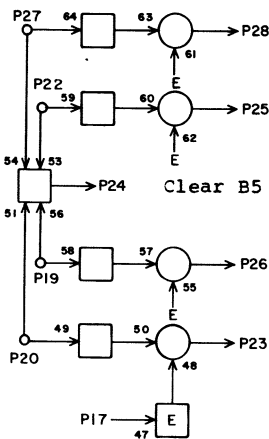
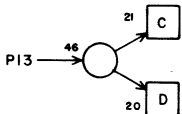
Increment to B5

Shift to B5

Clear D3



Transfer D3 to X3

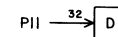
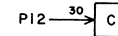
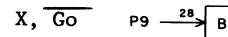
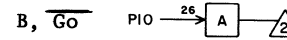
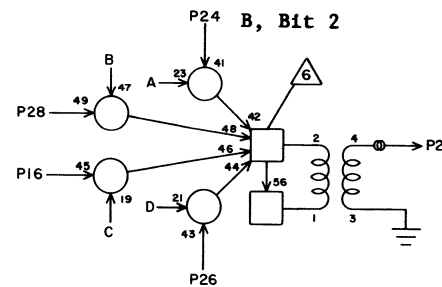
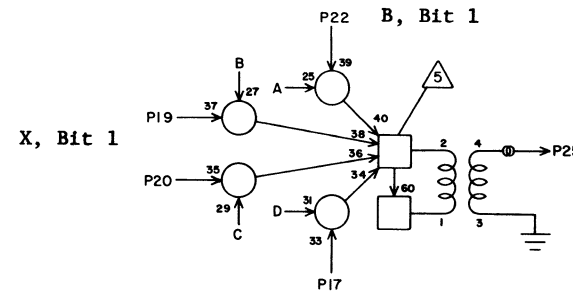
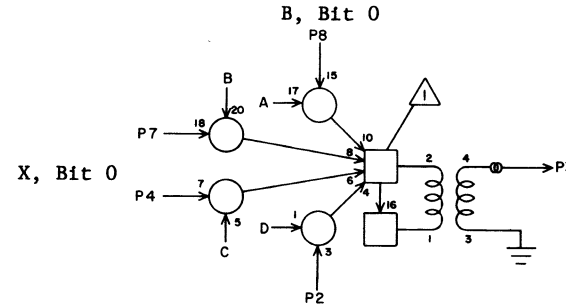


RE

7F 25

1	C41	9	21
2	G25	1	7
3			
4	C39	24	19
5	G24	25	9
6	G24	20	9
7	G25	14	7
8			
9	G25	20	7
10	E19	24	9
11	C39	12	19
12	G25	25	7
13	F19	19	9
14			
15	C41	24	21
16	C41	12	21
17	I19	10	15
18	C41	17	21
19			
20			
21			
22	K34	11	23
23			
24	Q11	25	45
25	P37	2	41
26			
27	K33	11	23
28	N28	2	31
	JACK	PIN	LG

Exit Control: Trunk X1 & B to Memory

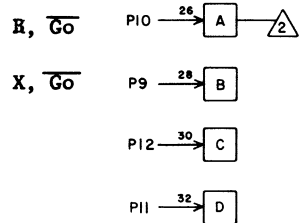
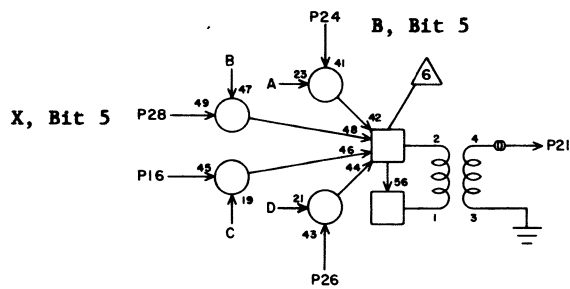
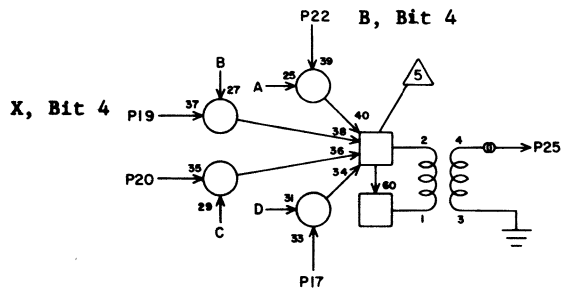
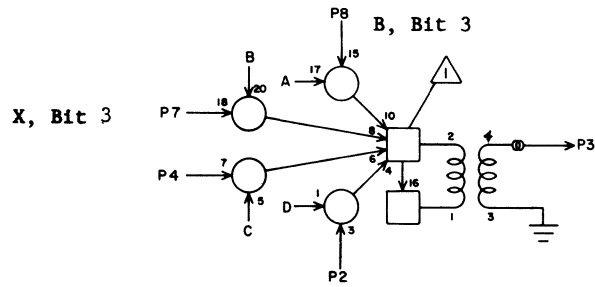


RG

7F 26

1			
2			
3	W B	900	
4			
5			
6			
7	B 1	12	29
8	O27	14	37
9	E31	15	9
10	E31	25	9
11	gnd		2
12	gnd		2
13			
14			
15			
16			
17			
18			
19	B 2	12	29
20			
21	W B	902	
22	O28	14	37
23			
24	O29	14	37
25	W B	901	
26			
27			
28	B 3	12	29
	JACK	PIN	LG

Exit Control: Trunk X & B to Memory



RG

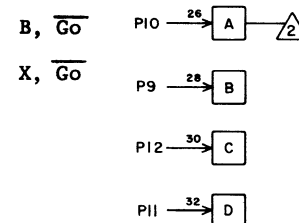
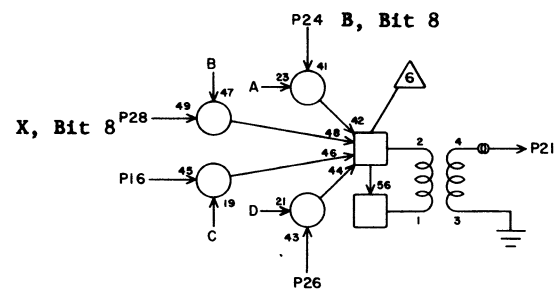
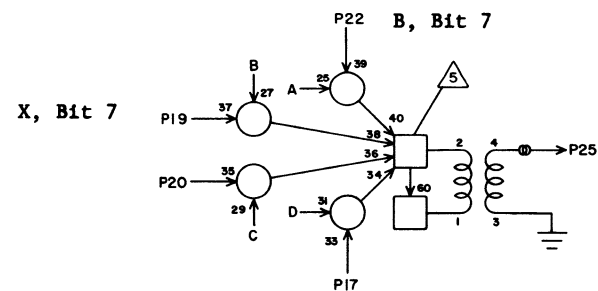
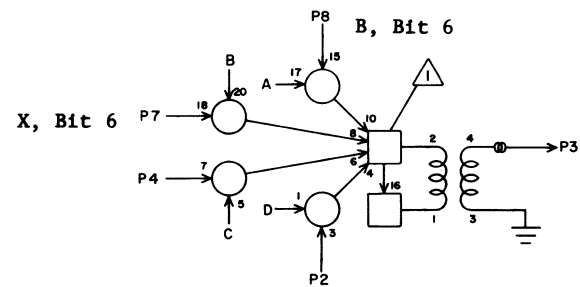
7F 27

1			
2			
3	W 8	903	
4			
5			
6			
7	B 4	12	27
8	O30	14	37
9	E31	7	9
10	E31	23	9
11	gnd		2
12	gnd		2
13			
14			
15			
16			
17			
18			
19	B 5	12	27
20			
21	W 8	905	
22	O31	14	39
23			
24	O32	14	39
25	W 8	904	
26			
27			
28	B 6	12	27

JACK PIN LG

63017300 Rev. D

Exit Control: Trunk X & B to Memory



RG

7F 28

1			
2			
3	W 8	906	
4			
5			
6			
7	B 7	12	27
8	O33	14	37
9	E31	6	9
10	E31	26	9
11	gnd		2
12	gnd		2
13			
14			
15			
16			
17			
18			
19	B 8	12	27
20			
21	W 8	90	
22	O34	14	37
23			
24	P24	14	41
25	W 8	907	
26			
27			
28	B 9	12	27

JACK PIN LG

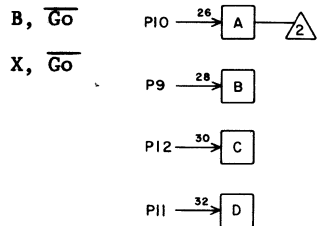
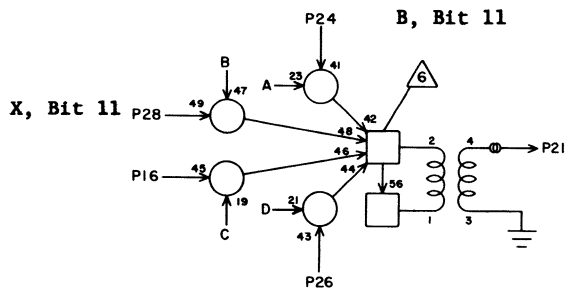
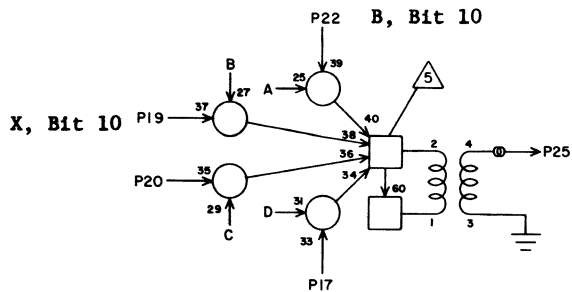
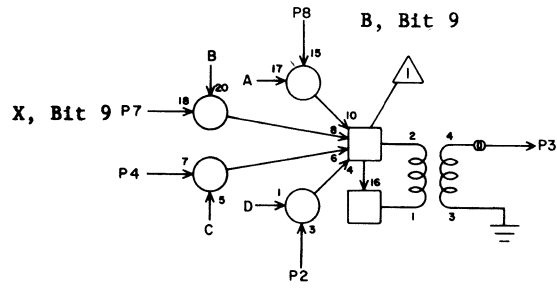
63017300 Rev. D

Exit Control: Trunk X & B to Memory

RG 7F 29

1			
2			
3	W 8	91	
4			
5			
6			
7	C 1	12	29
8	P25	14	41
9	E31	4	9
10	E31	24	9
11	gnd		2
12	gnd		2
13			
14			
15			
16			
17			
18			
19	C 2	12	29
20			
21	W 8	93	
22	P26	14	41
23			
24	P27	14	41
25	W 8	92	
26			
27			
28	C 3	12	29

JACK PIN LG

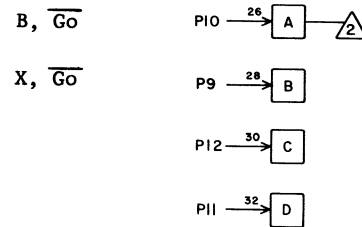
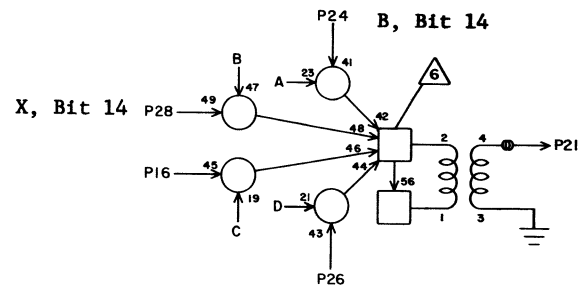
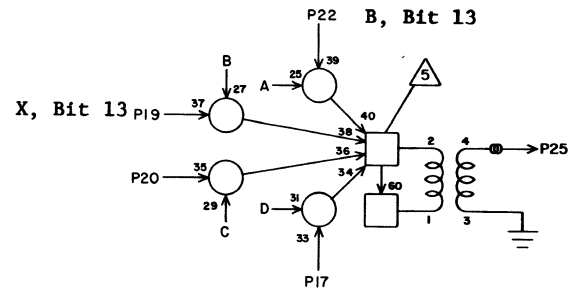
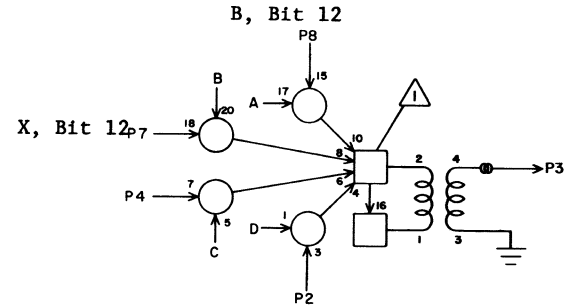


Exit Control: Trunk X & B to Memory

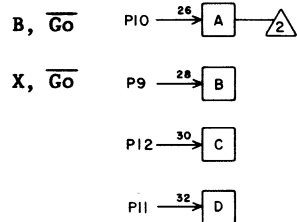
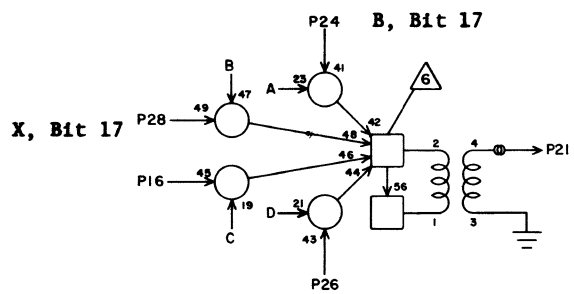
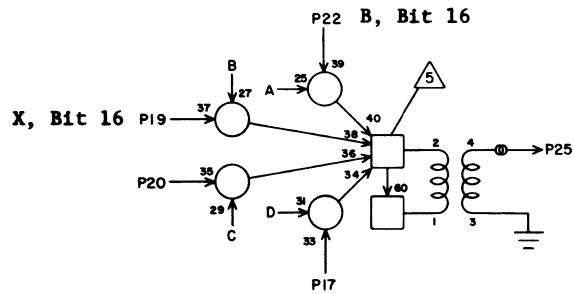
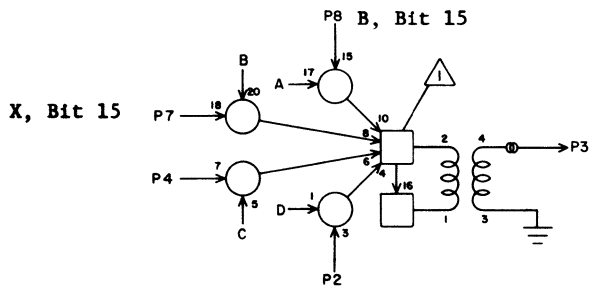
RG 7F 30

1			
2			
3	W 8	94	
4			
5			
6			
7	C 4	12	27
8	P28	14	41
9	E31	9	7
10	E31	22	5
11	gnd		2
12	gnd		2
13			
14			
15			
16			
17			
18			
19	C 5	12	29
20			
21	W 8	96	
22	P29	14	41
23			
24	P30	14	41
25	W 8	95	
26			
27			
28	C 6	12	29

JACK PIN LG

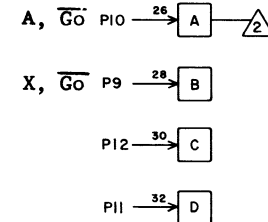
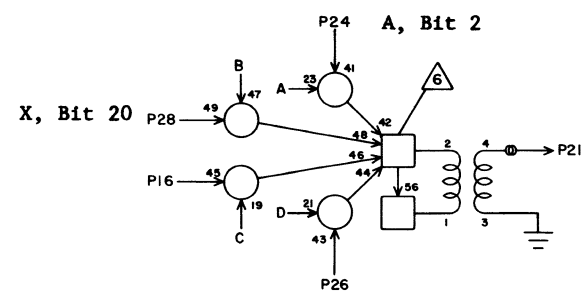
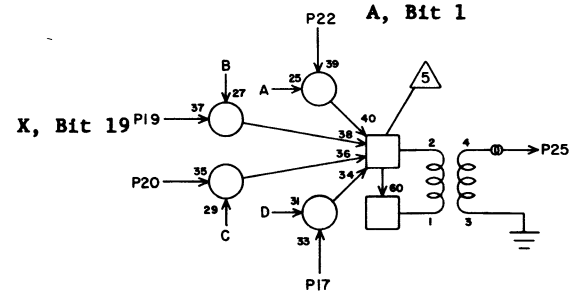
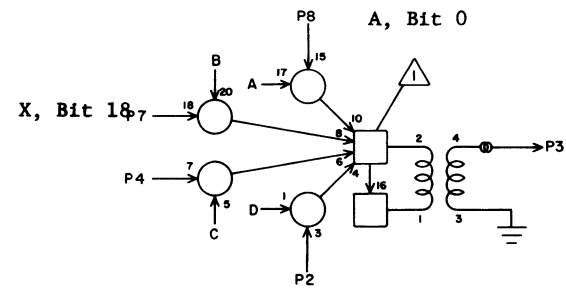


Exit Control: Trunk X & B to Memory



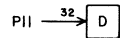
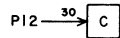
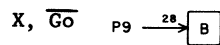
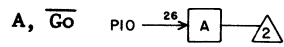
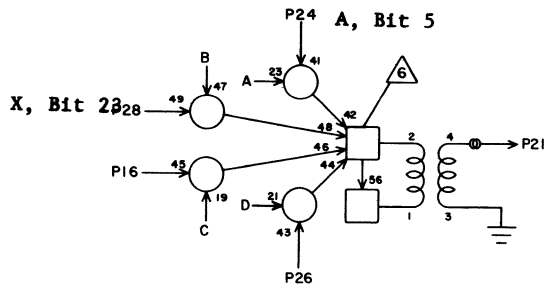
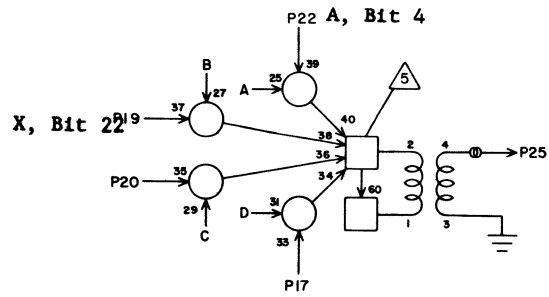
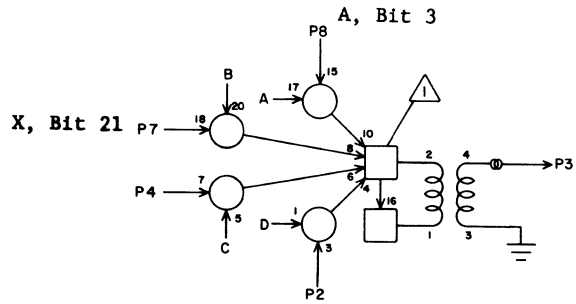
RG		7F 31	
1			
2			
3	W 8		97
4			
5			
6			
7	C 7	12	27
8	P31	14	41
9	E31	11	7
10	E31	20	5
11	gnd		2
12	gnd		2
13			
14			
15			
16			
17			
18			
19	C 8	12	27
20			
21	W 8		99
22	P32	14	41
23			
24	P33	14	41
25	W 8		98
26			
27			
28	C 9	12	27
	JACK	PIN	LG

Exit Control: Trunk A & X to Memory



RG		7F 32	
1			
2			
3	W 9		900
4			
5			
6			
7	D 1	12	31
8	A13	14	27
9	E31	13	7
10	E31	18	7
11	gnd		2
12	gnd		2
13			
14			
15			
16			
17			
18			
19	D 2	12	29
20			
21	W 9		902
22	A14	14	27
23			
24	A15	14	27
25	W 9		901
26			
27			
28	D 3	12	29
	JACK	PIN	LG

Exit Control: Trunk A & X to Memory



RG

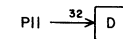
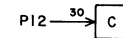
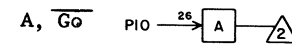
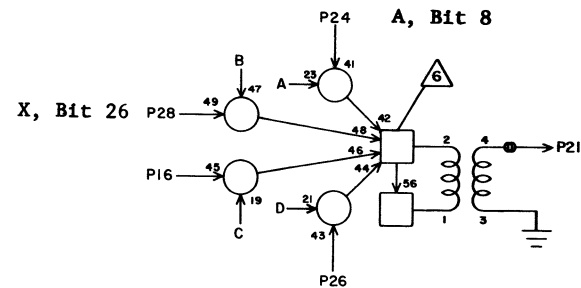
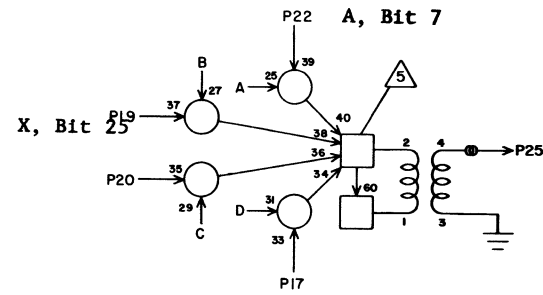
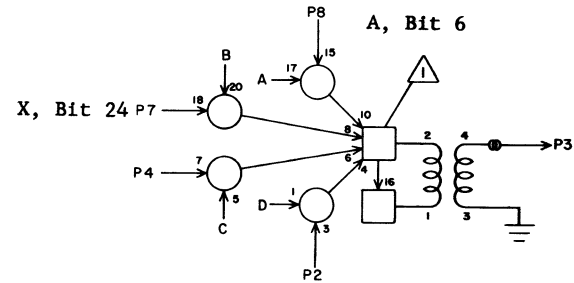
7F33

1			
2			
3	W 9	903	
4			
5			
6			
7	D 4	12	29
8	A16	14	27
9	E31	1	7
10	E31	28	7
11	gnd		2
12	gnd		2
13			
14			
15			
16			
17			
18			
19	D 5	12	29
20			
21	W 9	905	
22	A17	14	27
23			
24	A19	14	25
25	W 9	904	
26			
27			
28	D 6	12	29

JACK PIN LG

63017300 Rev. B

Exit Control: Trunk A & X to Memory



RG

7F 34

1			
2			
3	W 9	906	
4			
5			
6			
7	D 7	12	29
8	A20	14	25
9	E31	8	7
10	E31	21	7
11	gnd		2
12	gnd		2
13			
14			
15			
16			
17			
18			
19	D 8	12	29
20			
21	W 9	90	
22	A21	14	25
23			
24	A22	14	27
25	W 9	907	
26			
27			
28	D 9	12	25

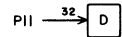
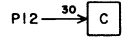
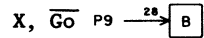
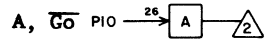
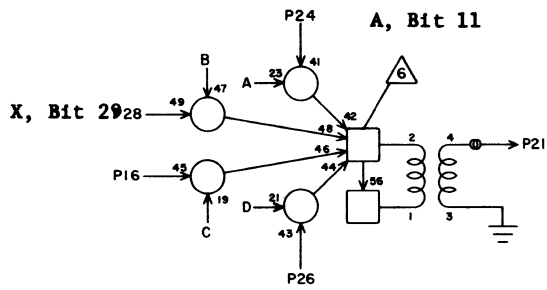
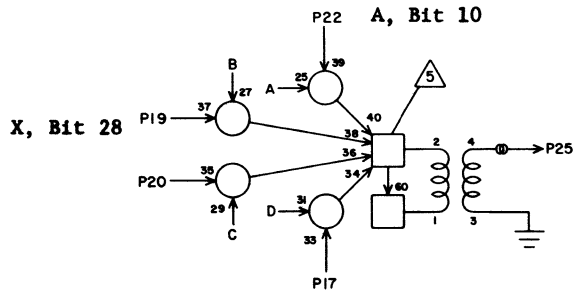
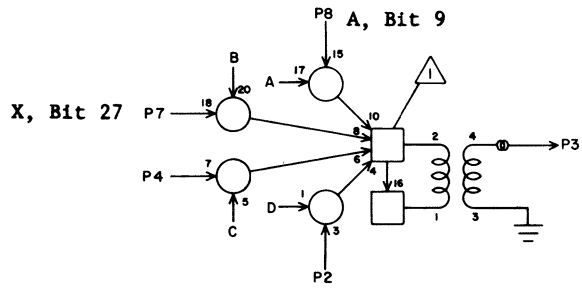
JACK PIN LG

63017300 Rev. B

7F34

Exit Control: Trunk.A & X to Memory

RG 7F 35

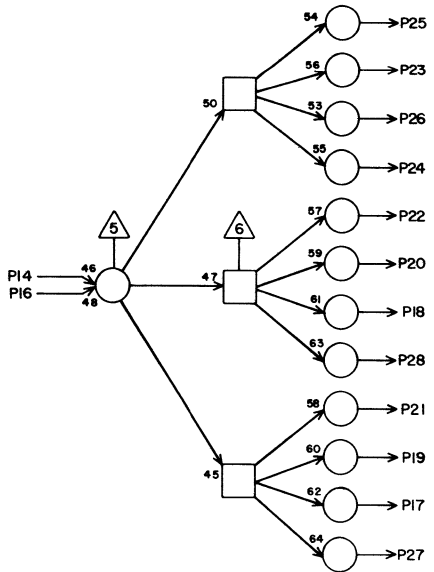
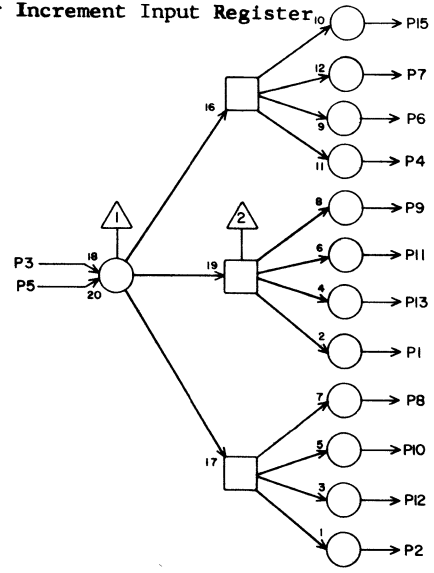


1			
2			
3	W 9	91	
4			
5			
6			
7	E 1	12	33
8	A23	14	25
9	E31	10	7
10	E31	19	7
11	gnd		2
12	gnd		2
13			
14			
15			
16			
17			
18			
19	E 2	12	33
20			
21	W 9	93	
22	A24	14	27
23			
24	A25	14	27
25	W 9	92	
26			
27			
28	E 3	12	33

JACK PIN LG

Entry Control

Clear Increment Input Register



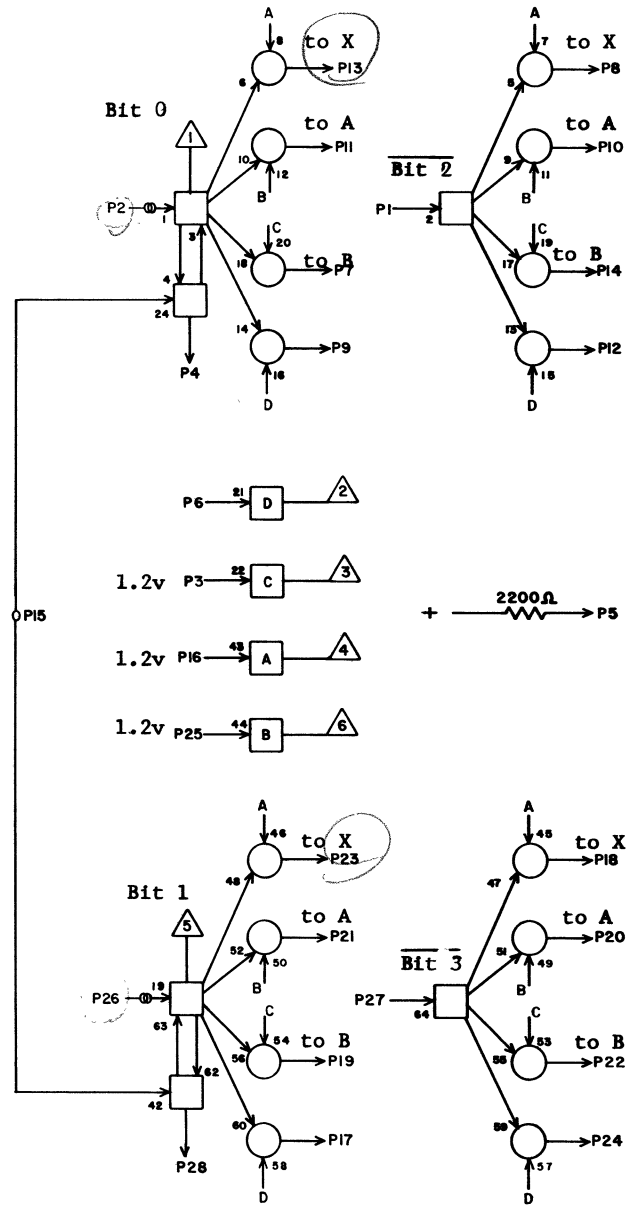
TC

7F 37

1	G40	15	7
2			
3	I14	4	27
4	F41	15	7
5	gnd		2
6	F40	15	5
7	F39	15	5
8	G41	15	9
9	F42	15	9
10			
11	G38	15	7
12			
13	G39	15	9
14			
15	F38	15	3
16			
17			
18			
19			
20			
21			
22			
23			
24			
25			
26			
27			
28			

JACK PIN LG

Entry Control: Trunk  
Increment to A, B, & X



RA

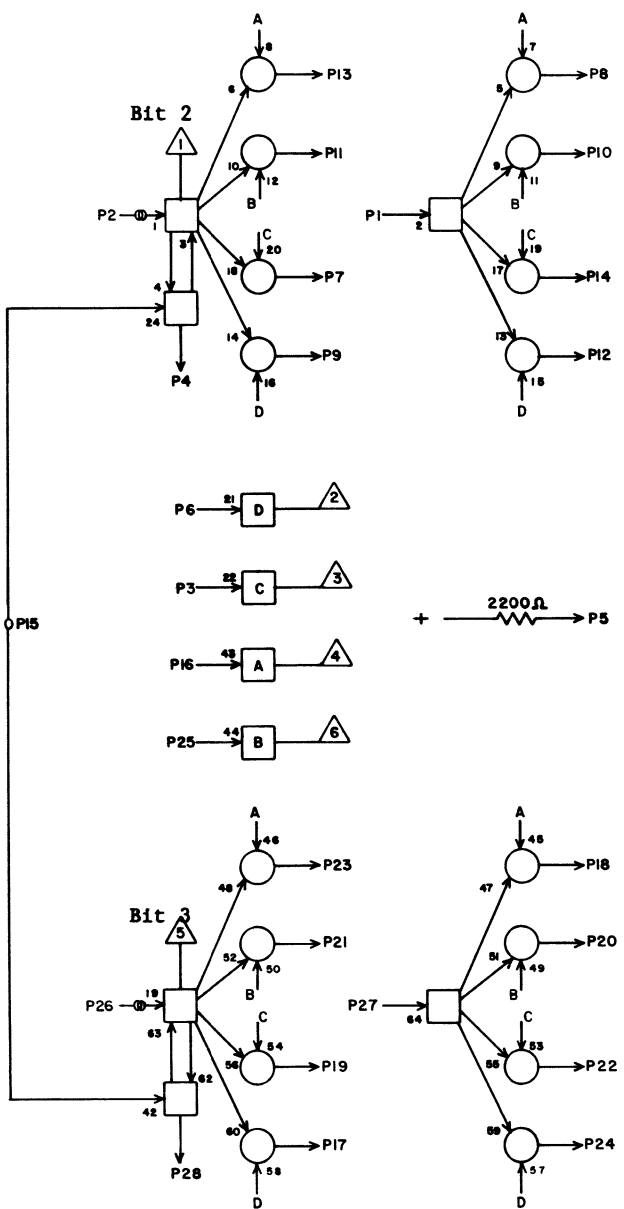
7F 38

1	F 38	4	3
2	W21	900	
3	E34	5	9
4	F39	1	3
5	F38	16	5
6			
7	M29	2	31
8	H13	2	27
9			
10	C28	2	19
11	C27	2	19
12			
13	H12	2	27
14	M30	2	31
15	F37	15	3
16	F38	5	5
17			
18	H13	26	27
19	M29	26	31
20	C28	26	17
21	C27	26	19
22	M30	26	31
23	H12	26	27
24			
25	F39	5	5
26	W21	901	
27	F39	28	3
28	F39	27	3

JACK PIN LG

Entry Control: Trunk Increment to A,B & X

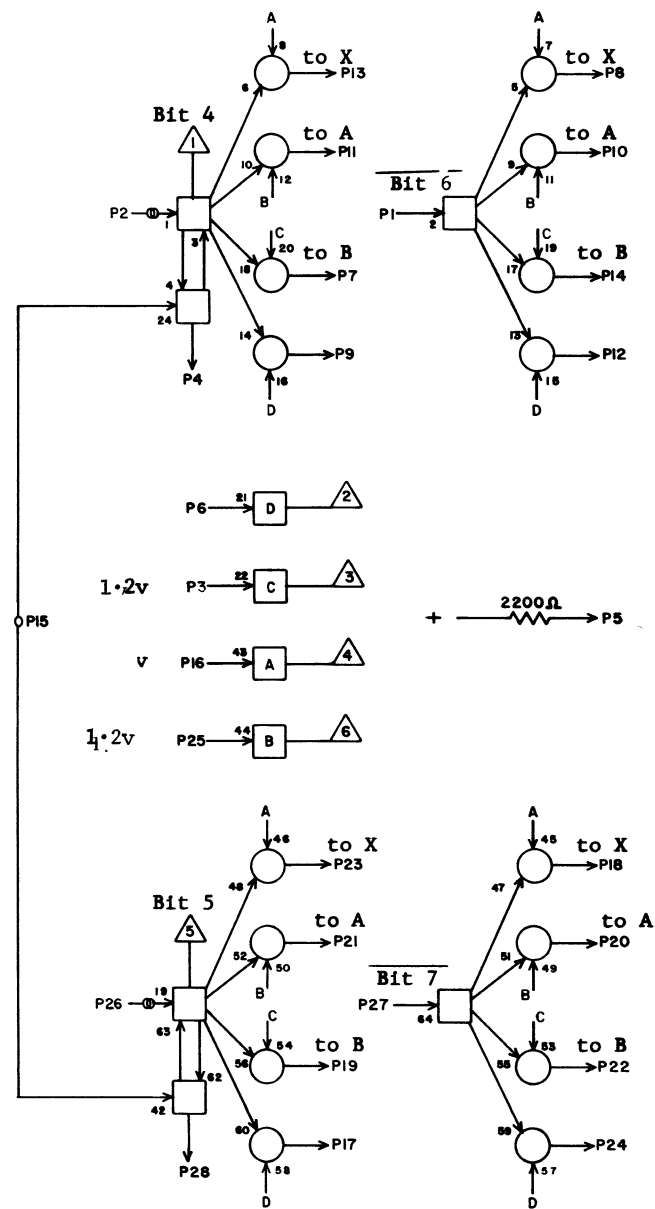
RA 7F 39



	JACK	PIN	LG
1	F38	4	3
2	W21	902	
3			
4	F38	1	3
5	F38	25	5
6			
7			
8			
9			
10			
11			
12			
13			
14			
15	F37	7	5
16			
17			
18			
19			
20			
21			
22			
23			
24			
25			
26	W21	903	
27	F38	28	3
28	F38	27	3

Entry Control: Trunk Increment to A,B & X

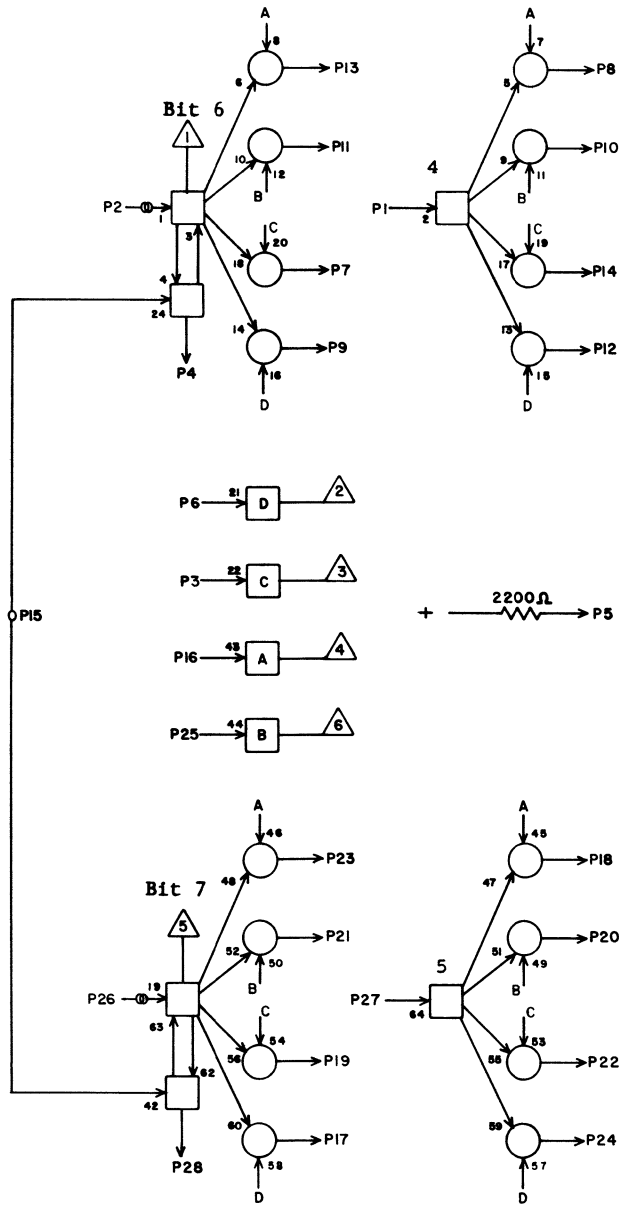
RA 7F 40



	JACK	PIN	LG
1	F41	4	3
2	W21	904	
3	E35	5	9
4	F41	1	3
5	F40	16	5
6			
7	M31	2	31
8	H15	2	27
9			
10	C30	2	19
11	C29	2	19
12			
13	H14	2	27
14	M32	2	31
15	F37	6	5
16	F40	5	5
17			
18	H15	26	27
19	M31	26	31
20	C30	26	19
21	C29	26	21
22	M32	26	31
23	H14	26	27
24			
25	F41	5	5
26	W21	905	
27	F41	28	3
28	F41	27	3



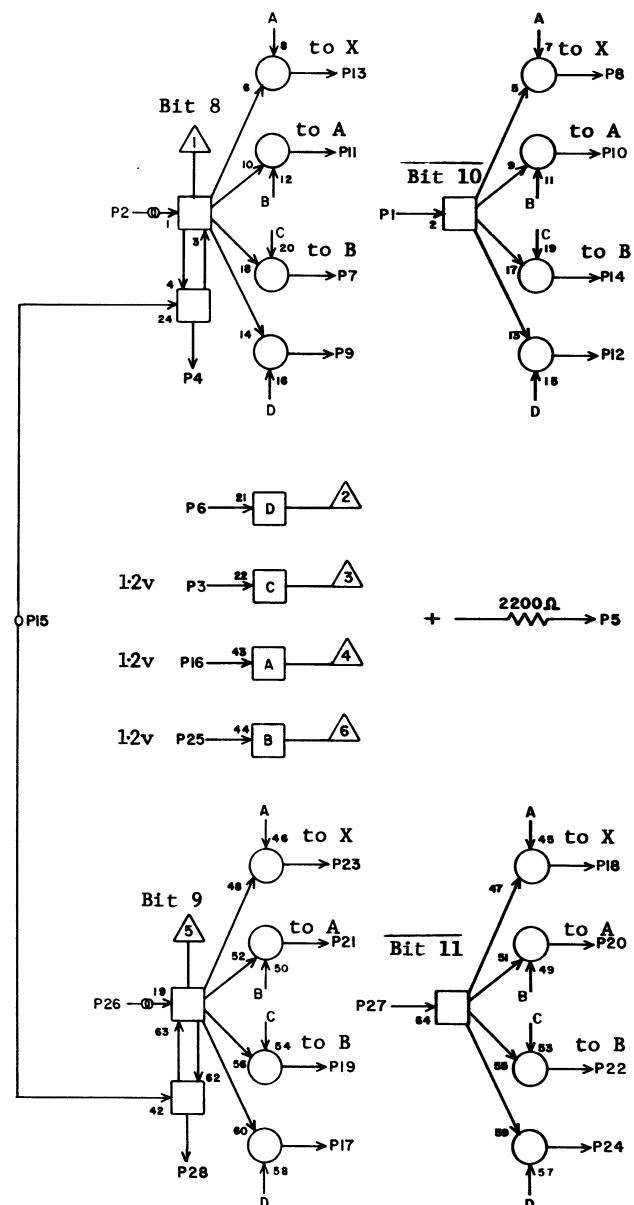
Entry Control: Trunk.Increment to A,B, & X



RA 7F 41

1	F40	4	3
2	W21	906	
3			
4	F40	1	3
5	F40	25	5
6			
7			
8			
9			
10			
11			
12			
13			
14			
15	F37	4	7
16			
17			
18			
19			
20			
21			
22			
23			
24			
25			
26	W21	907	
27	F40	28	3
28	F40	27	3
	JACK	PIN	LG

Entry Control: Trunk Increment to A, B, & X

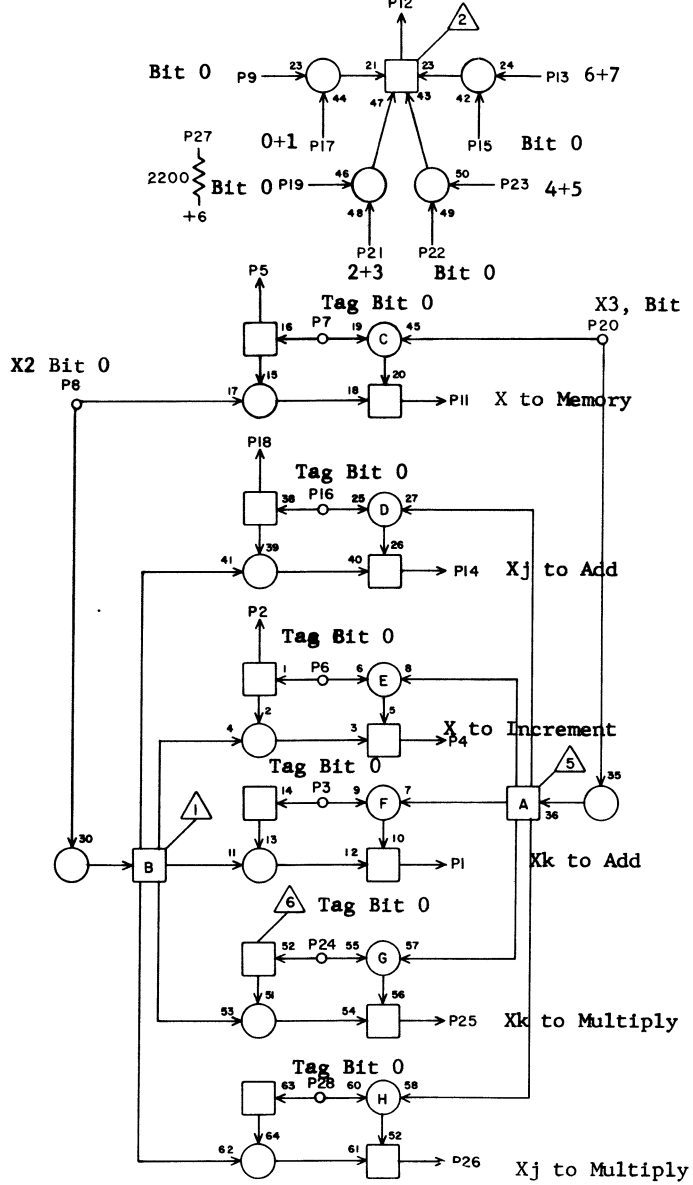


7F42

1	G38	4	9
2	W21	908	
3	E36	5	9
4	G38	1	9
5	F42	16	5
6			
7	M33	2	31
8	H18	2	25
9	D27		
10	D37	2	19
11	C31	2	21
12			
13	H17	2	25
14	N29	2	33
15	P37	9	9
16	F42	5	5
17			
18	H18	26	25
19	M33	26	31
20	D27	26	19
21	C31	26	19
22	N29	26	33
23	H17	26	25
24			
25	G38	5	9
26	W21	90	
27	G38	28	9
28	G38	27	9
	JACK	PIN	LG

Exit Control: X Registers

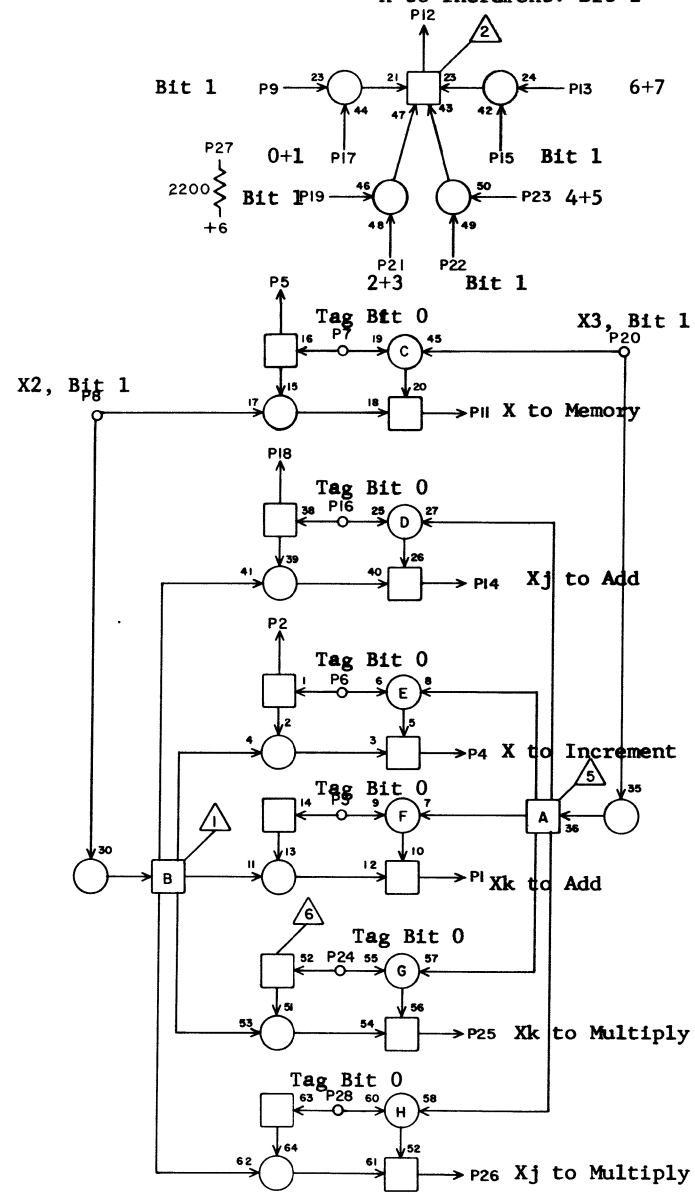
X to Increment: Bit 0



RF			
7G 1			
1	M39	4	43
2	H 1	28	11
3	H 1	5	9
4	G 1	19	5
5	H 1	3	7
6	F 8	19	9
7	F 1	18	7
8	F12	11	13
9	B 1	4	23
10			
11	B 1	19	23
12	K27	4	31
13	H10	25	13
14	L 1	19	23
15	O 1	4	31
16	F 3	13	9
17	G10	15	11
18	H 1	24	9
19	G 1	4	5
20	G15	11	17
21	G10	25	11
22	L 1	4	21
23	H10	15	13
24	H 1	18	7
25	G29	7	27
26	I29	7	29
27			
28	H 1	2	3
	JACK	PIN	IG

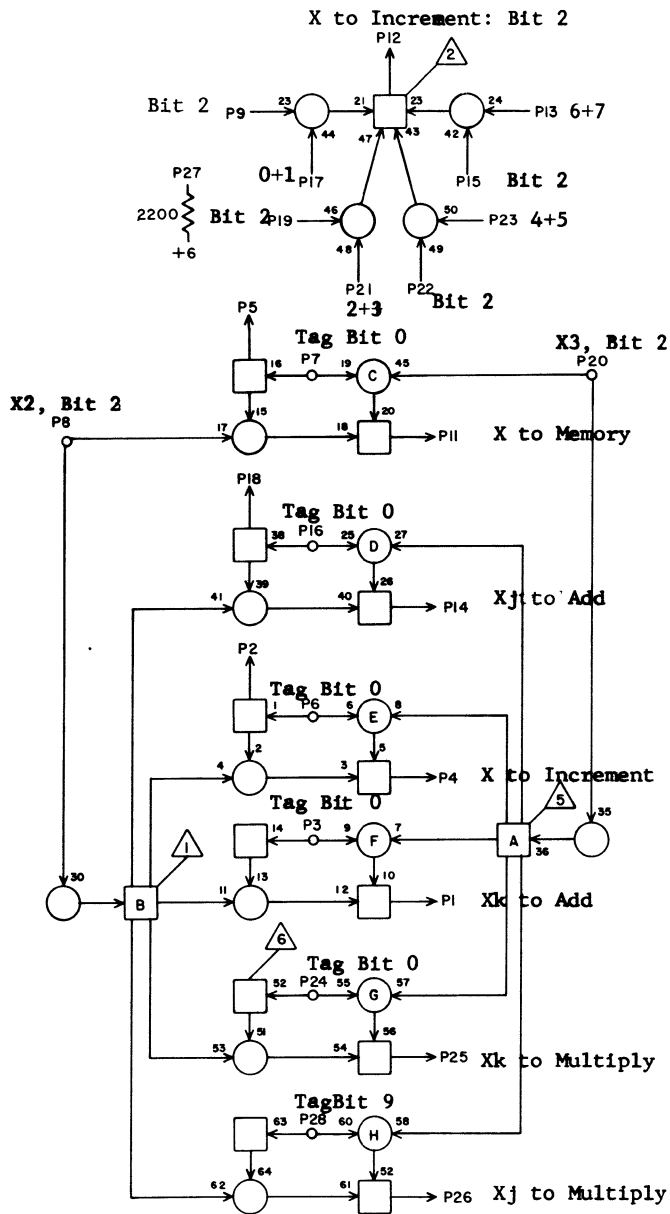
Exit Control: X Registers

X to Increment: Bit 1



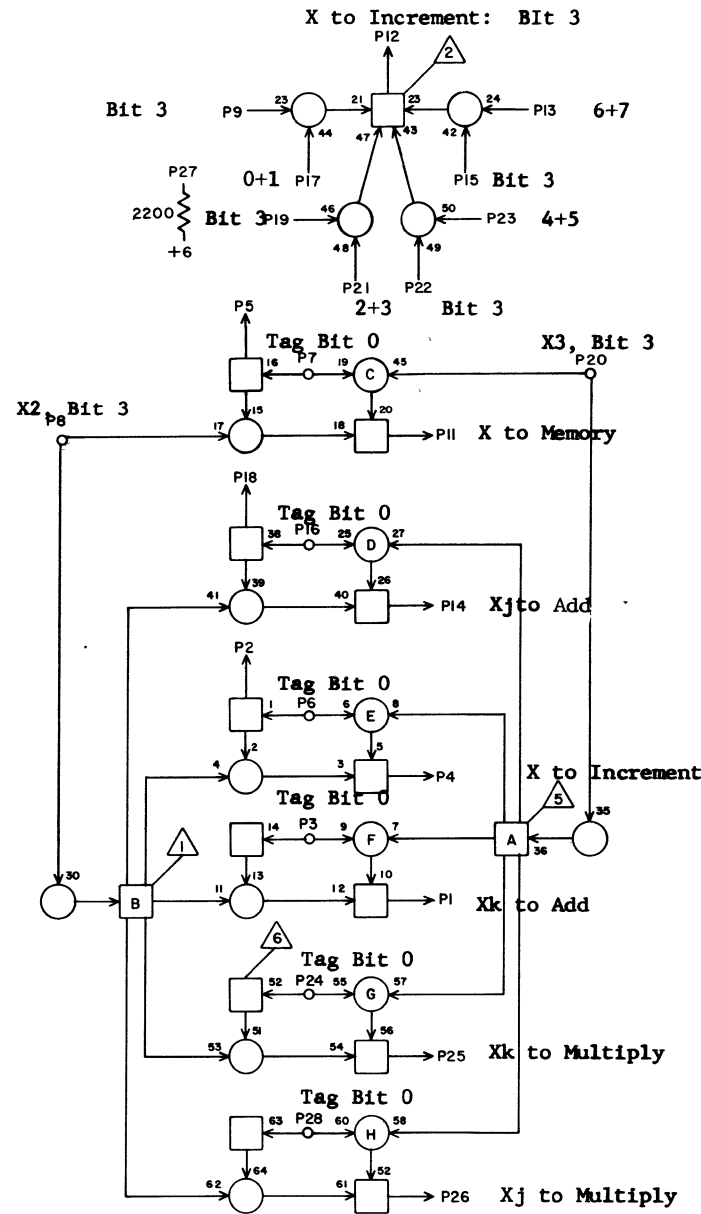
RF			
7G 2			
1	M39	20	41
2	H 2	28	11
3	H 2	5	9
4	G 2	19	5
5	H 2	3	7
6	F 8	17	9
7	F 1	28	5
8	F12	16	13
9	B 2	4	23
10			
11	B 2	19	23
12	K27	20	31
13	H10	23	13
14	L 2	19	23
15	O 2	4	31
16	F 3	1	7
17	G10	7	11
18	H 2	24	9
19	G 2	4	5
20	G15	16	17
21	G10	23	11
22	L 2	4	21
23	H10	7	11
24	H 2	18	7
25	G29	19	27
26	I29	19	27
27			
28	H 2	2	5
	JACK	PIN	IG

Exit Control: X Registers



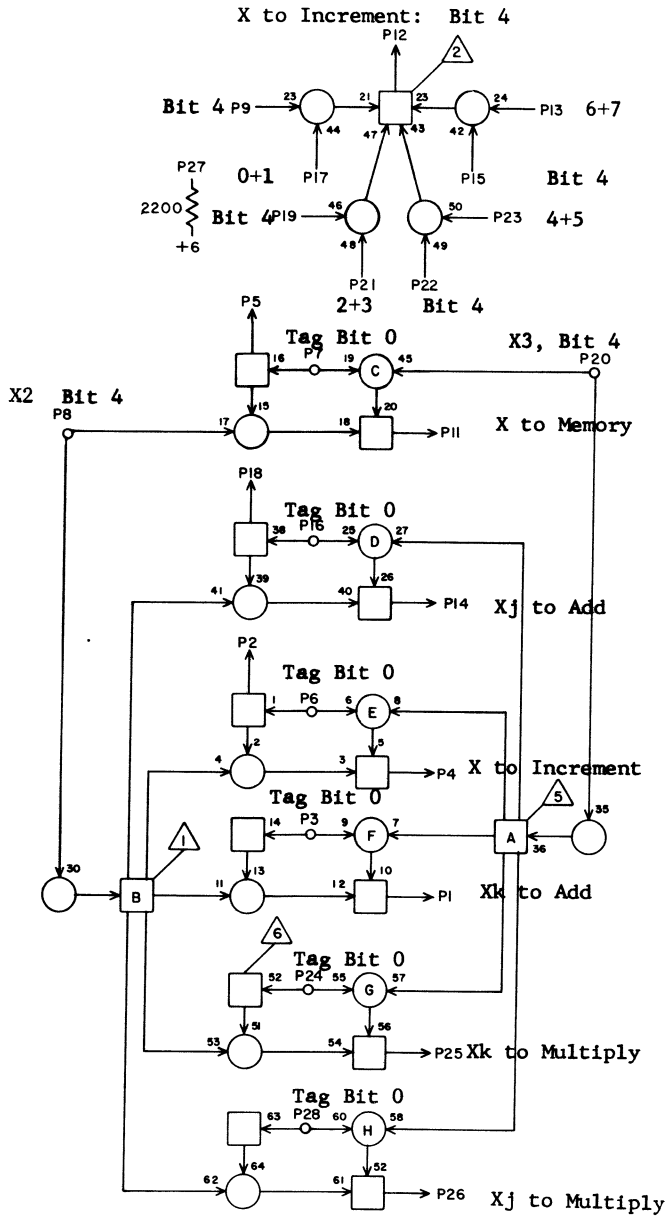
RF		7G 3	
JACK	PIN	LG	
1	M39	16	41
2	H 3	28	11
3	H 3	5	7
4	G 3	19	3
5	H 3	3	7
6	F 8	27	9
7	F 1	21	5
8	F12	26	11
9	B 3	4	23
10			
11	B 3	19	23
12	K27	16	29
13	H10	26	11
14	L 3	19	23
15	O 3	4	31
16	F 3	8	9
17	G10	6	9
18	H 3	24	9
19	G 3	4	3
20	G15	26	13
21	G10	26	9
22	L 3	4	21
23	H10	6	11
24	H 3	18	5
25	G29	28	25
26	I29	28	29
27			
28	H 3	2	3

Exit Control: X Registers



RF		7G 4	
JACK	PIN	LG	
1	M40	4	41
2	H 4	28	11
3	H 4	5	9
4	G 4	19	3
5	H 4	3	7
6	K 3	15	19
7	F 1	19	7
8	F12	27	11
9	B 4	4	23
10			
11	B 4	19	23
12	K28	4	29
13	H10	24	11
14	L 4	19	23
15	O 4	4	31
16	F 3	10	9
17	G10	4	9
18	H 4	24	9
19	G 4	4	3
20	G15	27	13
21	G10	24	9
22	L 4	4	21
23	H10	4	9
24	H 4	18	5
25	G30	7	25
26	I30	7	29
27			
28	H 4	2	3

Exit Control: X Registers

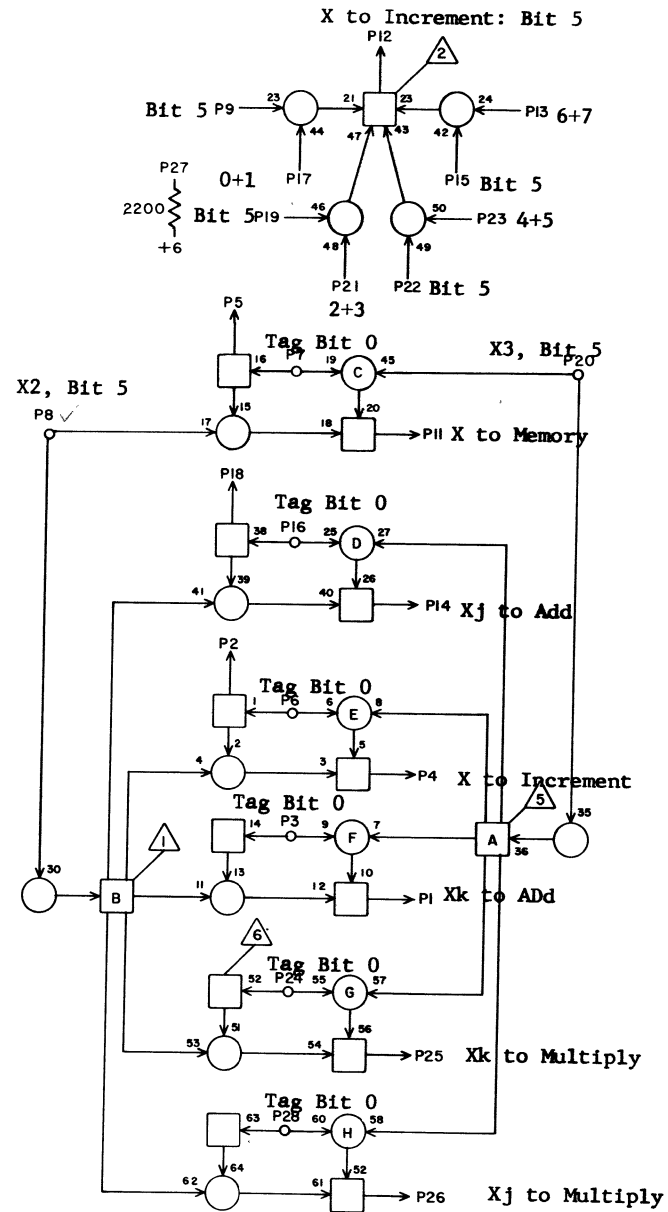


RF 7G 5

1	M40	20	41
2	H 5	28	11
3	H 5	5	9
4	G 5	19	3
5	H 5	3	7
6	K 3	7	19
7	F 1	17	7
8	F13	11	11
9	B 5	4	23
10			
11	B 5	19	23
12	K28	20	29
13	H10	22	11
14	L 5	19	23
15	O 5	4	33
16	F 3	12	9
17	G10	9	9
18	H 5	24	7
19	G 5	4	3
20	G16	11	13
21	G10	22	9
22	L 5	4	21
23	H10	9	9
24	H 5	18	5
25	G30	19	25
26	I30	19	29
27			
28	H 5	2	3
	JACK	PIN	LG

63017300 Rev. D

Exit Control: X Registers



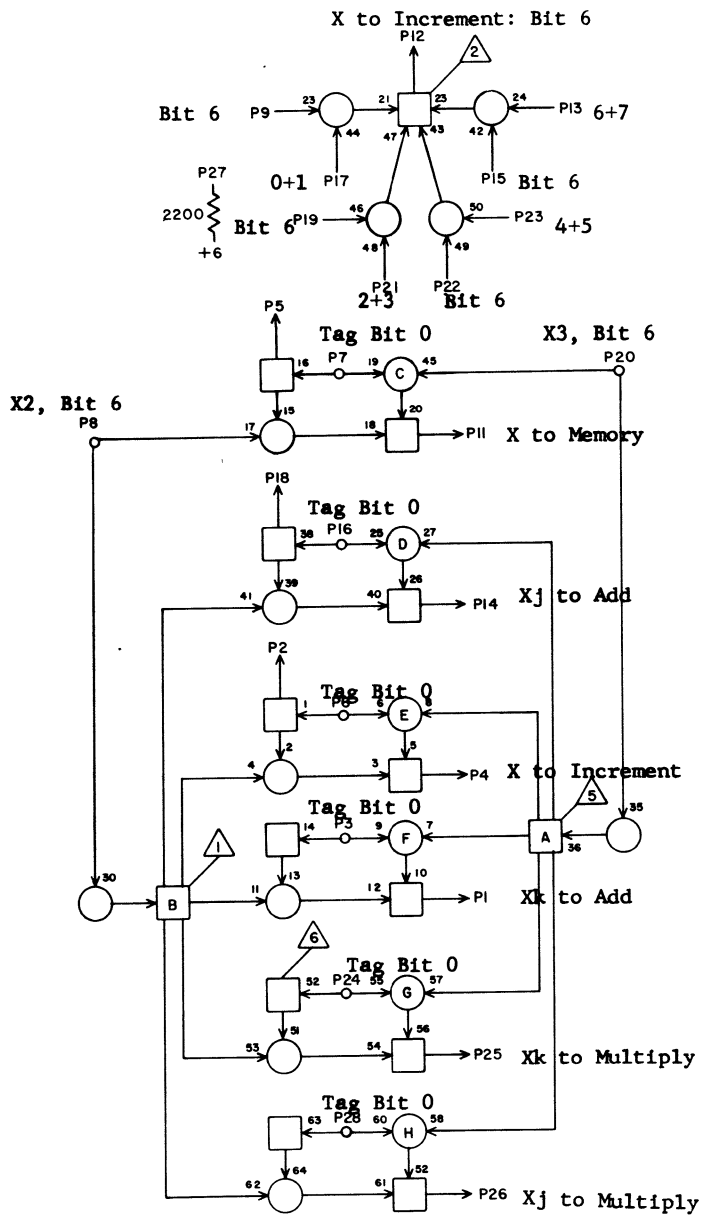
RF 7G 6

1	M40	16	41
2	H 6	28	11
3	H 6	5	9
4	G 6	19	3
5	H 6	3	7
6	K 3	6	19
7	F 1	27	7
8	F13	16	11
9	B 6	4	23
10			
11	B 6	19	23
12	K28	16	29
13	H10	20	9
14	L 6	19	23
15	O 6	4	33
16	F 3	2	7
17	G10	11	7
18	H 6	24	9
19	G 6	4	3
20	G16	16	13
21	G10	20	7
22	L 6	4	21
23	H10	11	7
24	H 6	18	5
25	G30	28	25
26	I30	28	25
27			
28	H 6	2	3
	JACK	PIN	LG

63017300 Rev. D

7G6

Exit Control: X Registers



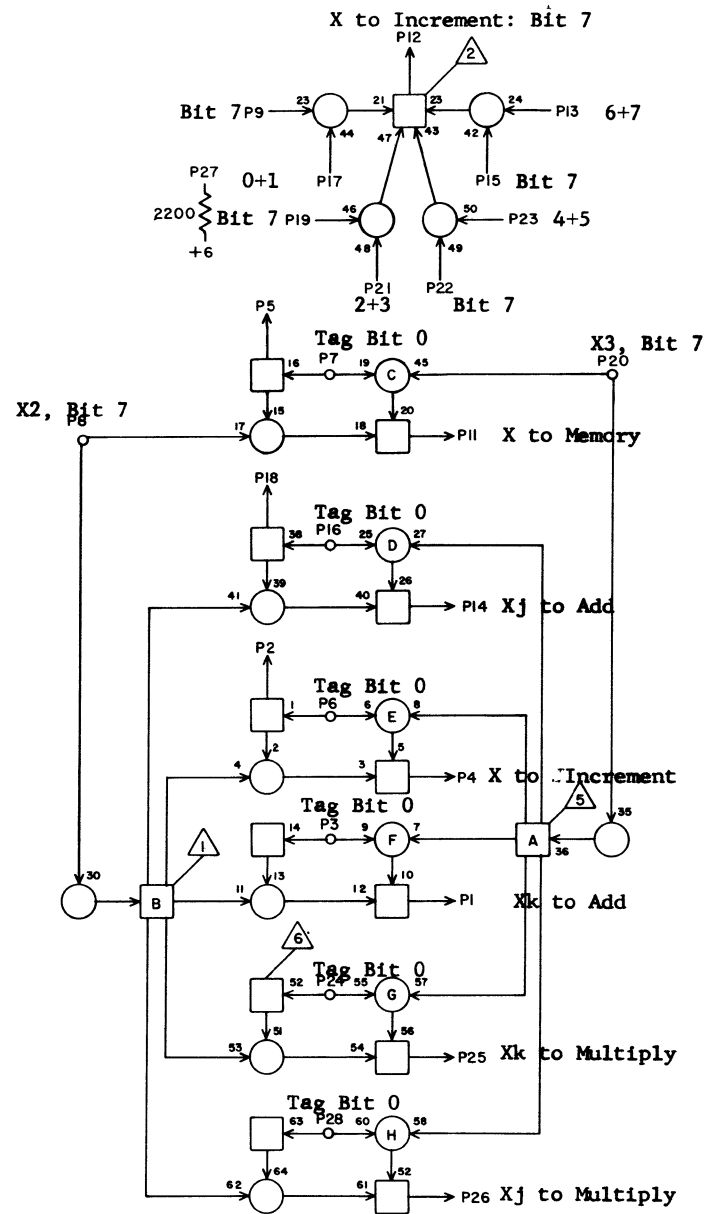
RF 7G 7

1	M41	4	41
2	H 7	28	11
3	H 7	5	7
4	G 7	19	3
5	H 7	3	7
6	K 3	4	19
7	F 2	15	9
8	F13	26	9
9	B 7	4	23
10			
11	B 7	19	23
12	K29	4	29
13	H10	18	9
14	L 7	19	23
15	O 7	4	33
16	F 3	25	9
17	G10	13	7
18	H 7	24	7
19	G 7	4	3
20	G16	26	11
21	G10	18	5
22	L 7	4	21
23	H10	13	7
24	H 7	18	5
25	G31	7	23
26	I31	7	25
27			
28	H 7	2	3

JACK    PIN    LG

63017300 Rev. D

Exit Control: X Registers



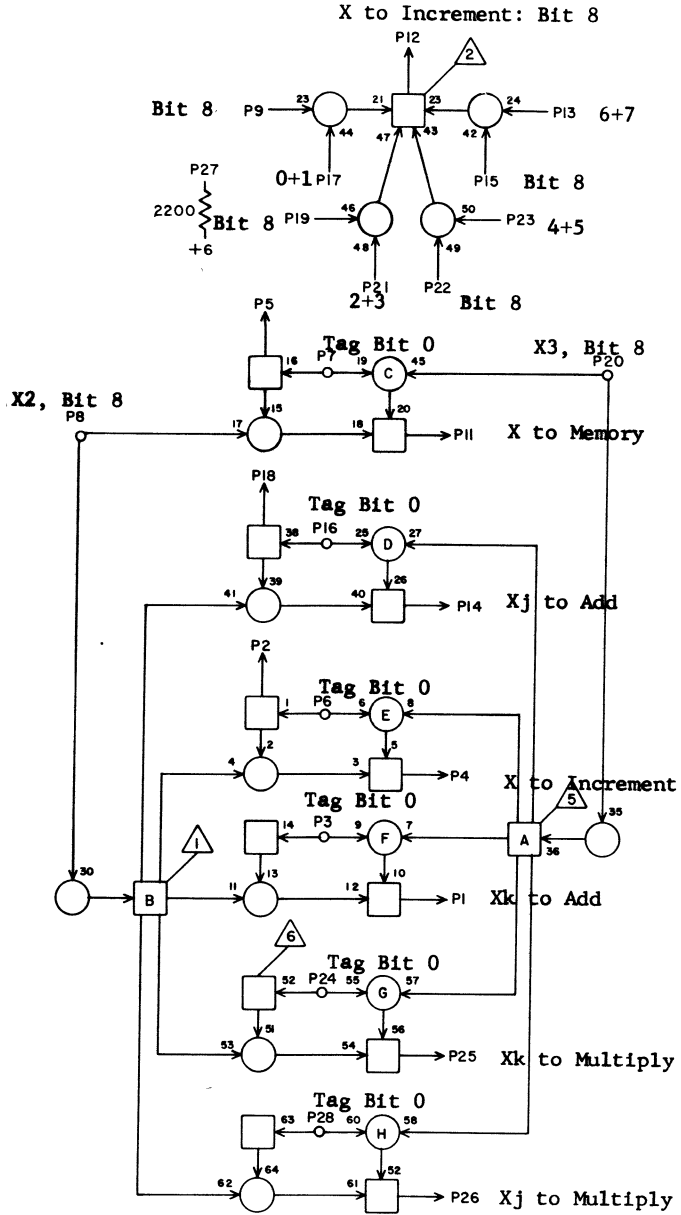
RF 7G 8

1	M41	20	41
2	H 8	28	11
3	H 8	5	7
4	G 8	19	3
5	H 8	3	7
6	K 3	9	19
7	F 2	7	9
8	F13	27	9
9	B 8	4	23
10			
11	B 8	19	23
12	K29	20	29
13	H10	28	9
14	L 8	19	23
15	O 8	4	33
16	F 3	23	15
17	G10	1	5
18	H 8	24	9
19	G 8	4	3
20	G16	27	11
21	G10	28	5
22	L 8	4	21
23	H10	1	5
24	H 8	18	5
25	G31	19	23
26	I31	19	25
27			
28	H 8	2	3

JACK    PIN    LG

63017300 Rev. D

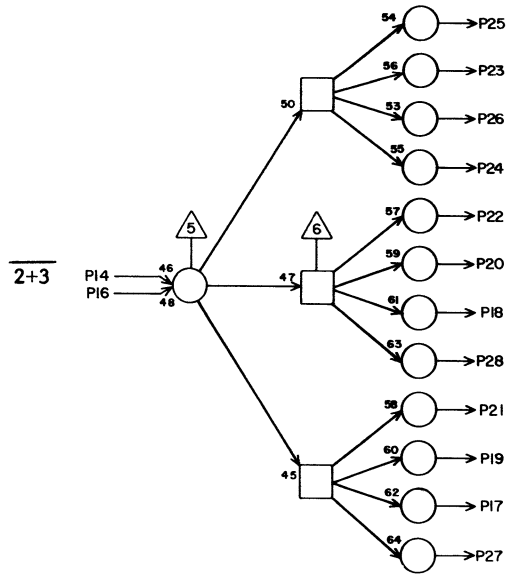
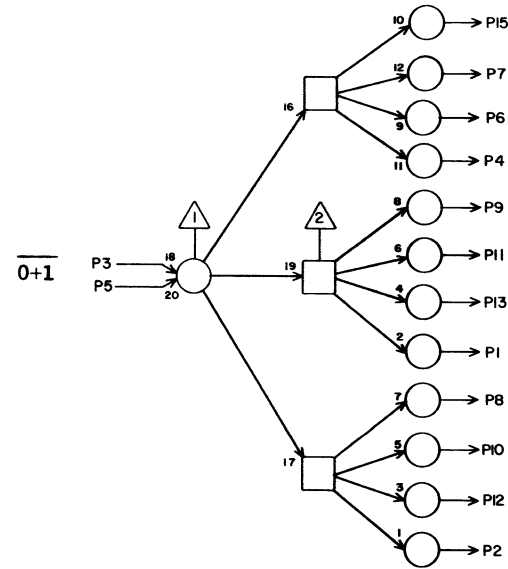
Exit Control: X Registers



RF 7G 9

	JACK	PIN	LG
1	M41	16	39
2	H 9	28	11
3	H 9	5	7
4	G 9	19	3
5	H 9	3	7
6	K 3	11	19
7	F 2	2	11
8	F14	11	9
9	B 9	4	23
10			
11	B 9	19	23
12	K29	16	25
13	H10	21	9
14	L 9	19	23
15	O 9	4	33
16	F 3	26	9
17	G10	8	3
18	H 9	24	7
19	G 9	4	3
20	G17	11	11
21	G10	21	3
22	L 9	4	21
23	H10	8	5
24	H 9	18	5
25	G31	28	21
26	I31	28	23
27			
28	H 9	2	3

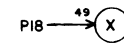
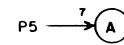
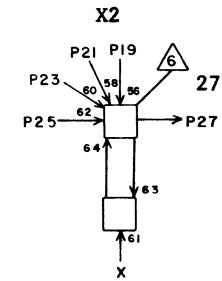
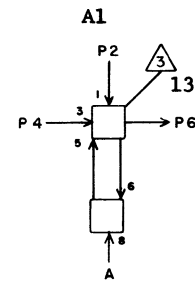
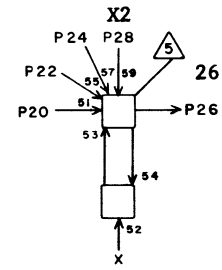
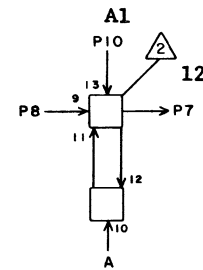
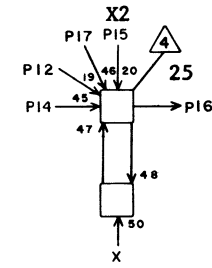
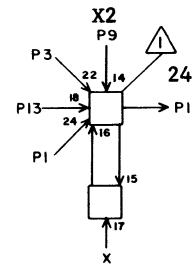
Exit Control  
X to Increment



TC 7G10

	JACK	PIN	LG
1	G 8	17	7
2	H 3	17	11
3	L13	28	25
4	G 4	17	9
5	GND	X	2
6	G 3	17	9
7	G 2	17	11
8	G 9	17	3
9	G 5	17	9
10	H 1	17	13
11	G 6	17	7
12	H 2	17	11
13	G 7	17	7
14	L13	2	23
15	G 1	17	11
16	GND	X	2
17	H 2	21	11
18	G 7	21	5
19	H 1	21	13
20	G 6	21	7
21	G 9	21	3
22	G 5	21	9
23	G 2	21	11
24	G 4	21	9
25	G 1	21	11
26	G 3	21	9
27	H 3	21	11
28	G 8	21	5

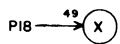
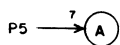
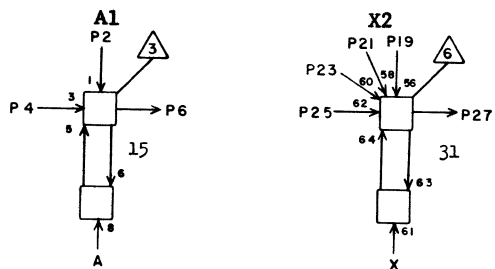
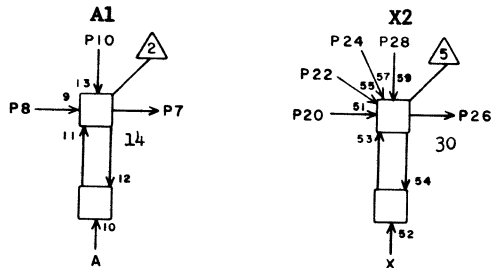
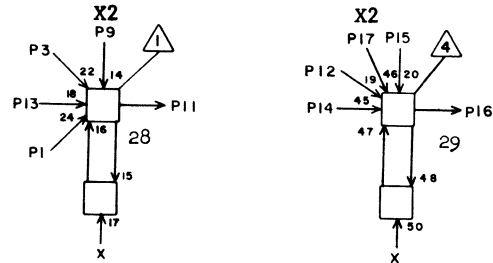
# Operating Registers



RD		7G12	
1	E24	6	17
2	GND	X	2
3	K38	14	33
4	D28	21	21
5	F18	21	9
6	A20	25	27
7	A20	7	27
8	D28	9	21
9	J14	5	15
10	GND	X	2
11	I 7	8	13
12	E37	19	27
13	E37	7	27
14	E24	5	17
15	J14	19	15
16	I 8	8	11
17	K38	22	33
18	G18	8	9
19	J14	22	15
20	E24	2	15
21	K38	19	21
22	E37	14	27
23	E37	22	27
24	K38	7	31
25	E24	7	17
26	I 9	8	11
27	J 1	20	17
28	J14	14	15

JACK PIN LG

### Operating Registers



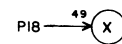
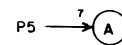
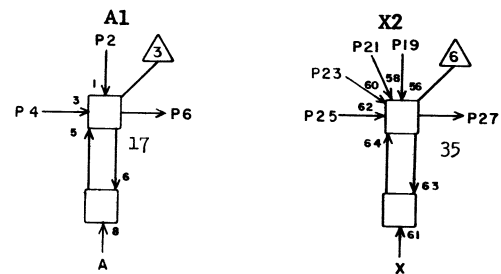
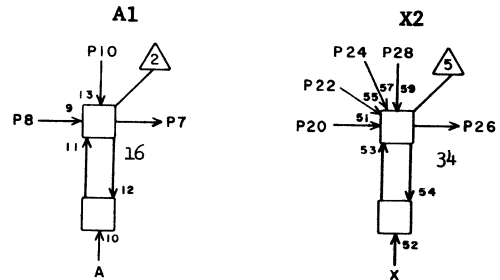
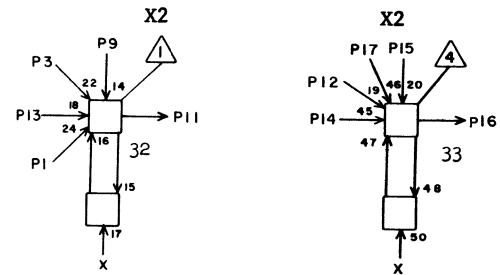
RD 7G13

1	E24	9	17
2	GND	X	2
3	K40	14	33
4	D28	20	21
5	F18	24	7
6	A21	25	27
7	A21	7	27
8	D28	10	21
9	J16	5	15
10	GND	X	2
11	J 2	20	17
12	E39	19	27
13	E39	7	27
14	E24	12	17
15	J16	19	15
16	J 3	20	17
17	K40	22	33
18	G18	10	9
19	J16	22	15
20	E25	6	17
21	K40	19	33
22	E39	14	27
23	E39	22	27
24	K40	7	33
25	E25	5	17
26	J 4	20	17
27	J 5	20	17
28	J17	14	15

JACK PIN LG

63017300 Rev. D

### Operating Registers



RD 7G14

1	E25	2	15
2	GND		2
3	K42	14	33
4	D30	21	21
5	F18	26	7
6	A22	25	27
7	A22	7	27
8	D30	9	21
9	J18	5	15
10	GND	X	2
11	J 6	20	17
12	E41	19	27
13	E41	7	27
14	E25	7	15
15	J18	19	15
16	J 7	20	17
17	K42	22	33
18	G18	12	7
19	J18	22	15
20	E25	9	15
21	K42	19	33
22	E41	14	27
23	E41	22	27
24	K42	7	33
25	E25	12	17
26	J 8	20	15
27	J 9	20	15
28	J18	14	15

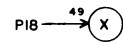
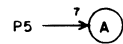
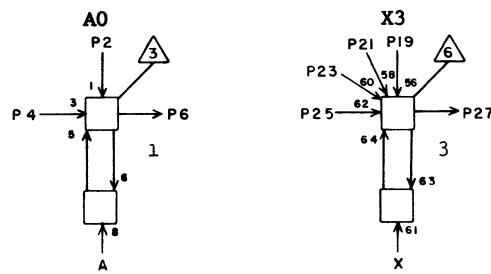
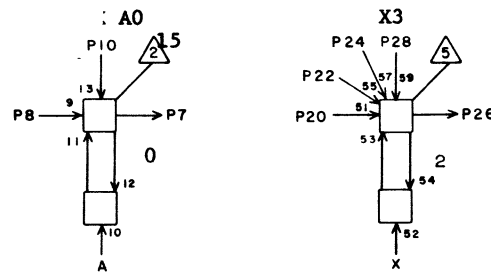
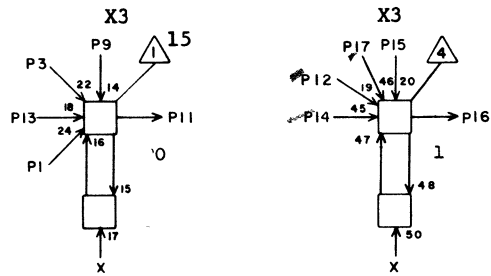
JACK PIN LG

7G14

63017300 Rev. D



Operating Registers



RD

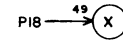
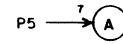
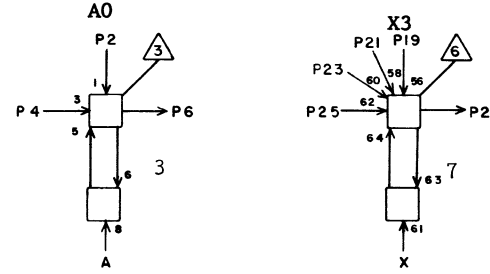
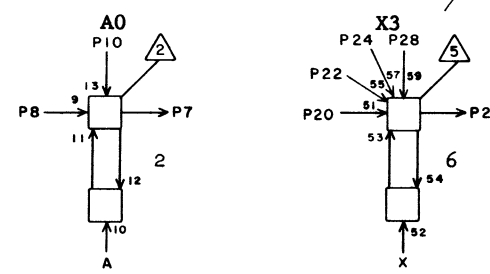
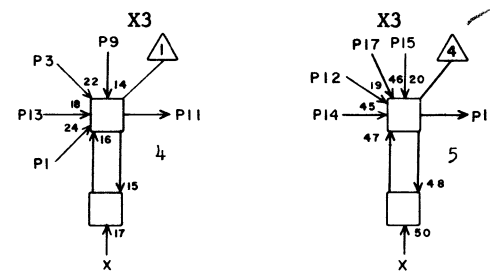
7G15

1	F20	6	9
2	GND		2
3	H37	9	23
4	C27	23	23
5	F18	2	7
6	A13	20	27
7	A13	4	27
8	C27	11	23
9	H12	7	9
10	GND		2
11	G 1	20	17
12	D34	17	23
13	D34	9	23
14	F20	5	9
15	H12	17	9
16	G 2	20	17
17	H37	17	23
18	G18	16	7
19	H12	24	9
20	F20	2	9
21	H37	24	23
22	D34	12	23
23	D34	24	23
24	H37	12	23
25	F20	7	9
26	G 3	20	13
27	G 4	20	13
28	H12	12	9

JACK PIN LG

63017300 Rev. D

Operating Registers



RD

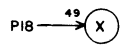
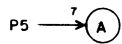
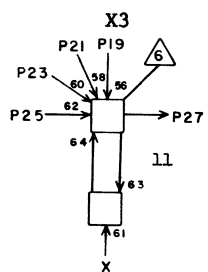
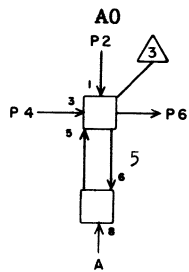
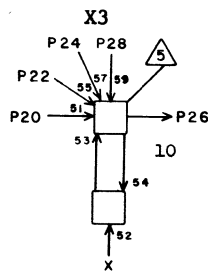
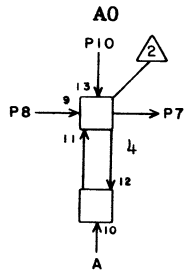
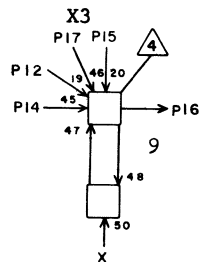
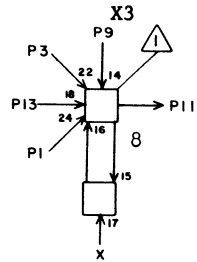
7G16

1	F20	9	9
2	GND		2
3	H39	9	23
4	C27	18	21
5	F18	4	7
6	A14	20	25
7	A14	4	25
8	C27	8	21
9	H14	7	7
10	GND		2
11	G 5	20	13
12	D36	17	23
13	D36	9	23
14	F20	12	9
15	H14	17	7
16	G 6	20	13
17	H39	17	23
18	G18	18	5
19	H14	24	7
20	F21	6	9
21	H39	24	23
22	D36	12	23
23	D36	24	23
24	H39	12	23
25	F21	5	11
26	G 7	20	11
27	G 8	20	11
28	H14	12	7

JACK PIN LG

63017300 Rev. L

Operating Registers

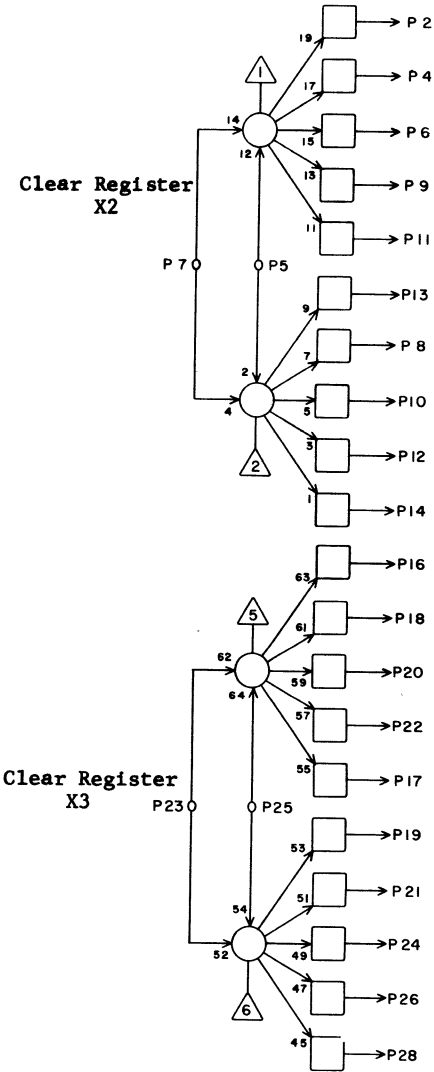


RD 7G17

1	F21	2	9
2	GND		2
3	H41	9	25
4	C29	23	21
5	F18	6	7
6	A15	20	25
7	A15	4	25
8	C29	11	21
9	H17	7	7
10	GND		2
11	G 9	20	11
12	D38	17	25
13	D38	9	25
14	F21	7	9
15	H17	17	7
16	H 1	8	17
17	H41	17	25
18	G18	20	3
19	H17	24	7
20	F21	9	9
21	H41	24	25
22	D38	12	25
23	D38	24	25
24	H41	12	25
25	F21	12	9
26	H 2	8	17
27	H 3	8	17
28	H17	12	5

JACK PIN LG

Entry Control



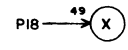
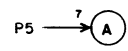
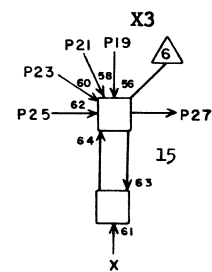
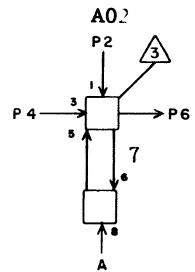
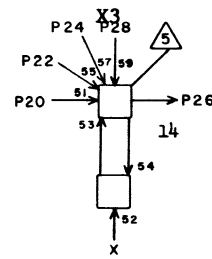
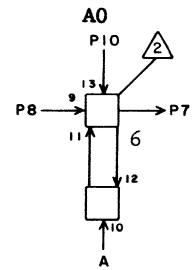
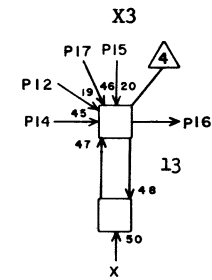
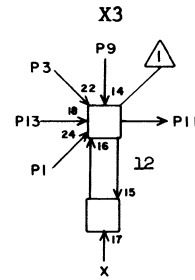
HC 7G 18

1			
2	F12	18	9
3			
4	F13	18	9
5	E22	24	9
6	F14	18	9
7	I17	6	11
8	G12	18	9
9	F15	18	9
10	G13	18	9
11	F16	18	7
12	G14	18	7
13	F17	18	7
14			
15			
16	G15	18	7
17	G21	18	7
18	G16	18	5
19	G22	18	7
20	G17	18	3
21	G23	18	7
22	G20	18	5
23	I17	9	11
24	G24	18	9
25	E23	24	11
26	G25	18	9
27			
28			

JACK PIN LG

# Operating Registers

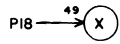
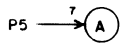
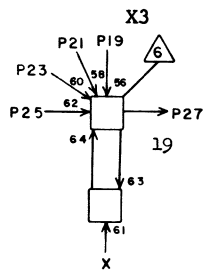
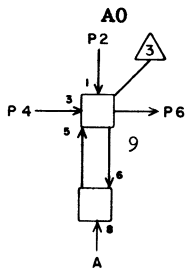
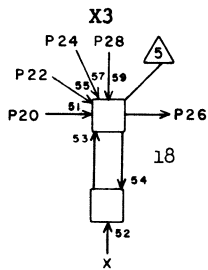
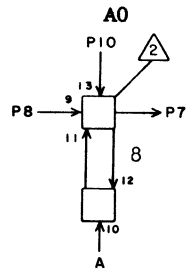
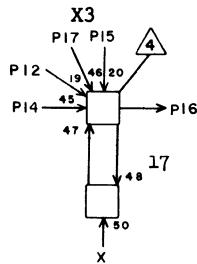
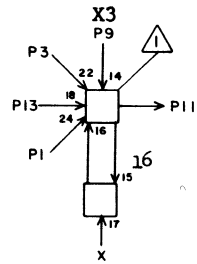
R D 7G20



1	F22	6	7
2	GND		2
3	J37	9	23
4	C29	18	19
5	F18	9	9
6	A16	20	25
7	A16	4	25
8	C29	8	21
9	H21	7	7
10	GND		2
11	H 4	8	19
12	D40	17	23
13	D40	9	23
14	F22	5	9
15	H21	17	7
16	H 5	8	17
17	J37	17	23
18	G18	22	5
19	H21	24	7
20	F22	2	9
21	J37	24	23
22	D40	12	23
23	D20	24	23
24	J37	12	23
25	F22	7	7
26	H 6	8	17
27	H 7	8	15
28	H21	12	5

JACK PIN LG

Operating Registers

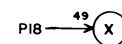
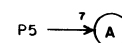
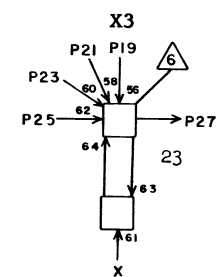
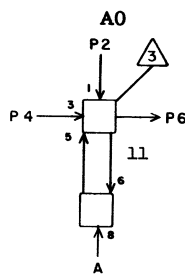
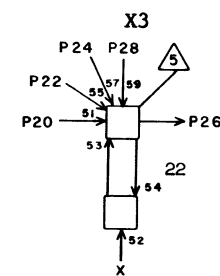
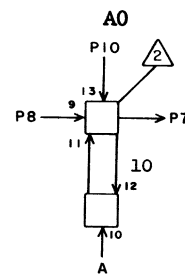
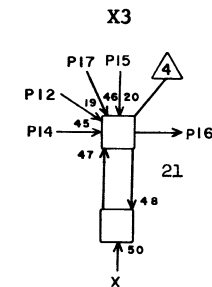
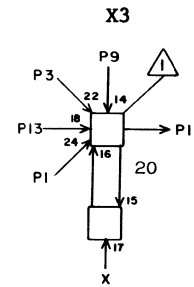


RD 7G21

1	F22	9	7
2	GND		2
3	J39	9	23
4	C31	23	21
5	F18	11	9
6	A17	20	27
7	A17	4	27
8	C31	11	21
9	H23	7	7
10	GND		2
11	H 8	8	15
12	D42	17	25
13	D42	9	25
14	F22	12	7
15	H23	17	7
16	H 9	8	13
17	J39	17	23
18	G18	17	7
19	H23	24	7
20	F23	6	9
21	J39	24	23
22	D42	12	25
23	D42	24	25
24	J39	12	23
25	F23	5	9
26	I 1	20	23
27	I 2	20	23
28	H23	12	5

JACK PIN LG

Operating Registers

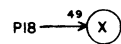
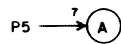
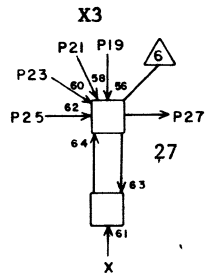
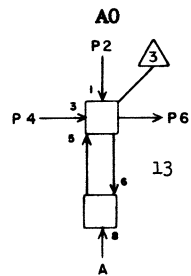
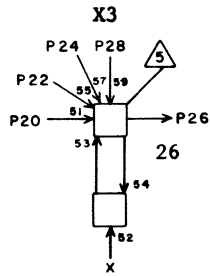
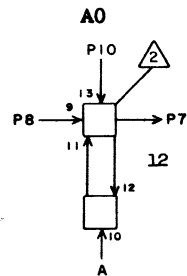
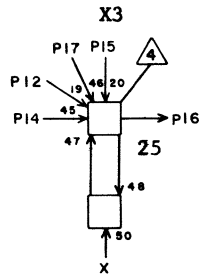
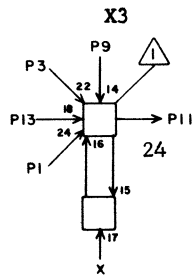


RD 7G22

1	F23	2	7
2	GND		2
3	J41	9	23
4	C31	18	21
5	F18	13	9
6	A19	20	25
7	A19	4	25
8	C31	8	21
9	J12	7	17
10	GND		2
11	I 3	20	23
12	E35	17	17
13	E35	9	17
14	F23	7	7
15	J12	17	17
16	I 4	20	21
17	J41	17	23
18	G18	19	7
19	J12	24	17
20	F23	9	7
21	J41	24	23
22	E35	12	17
23	E35	24	17
24	J41	12	23
25	F23	12	7
26	I 5	20	21
27	I 6	20	21
28	J12	12	17

JACK PIN LG

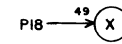
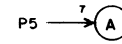
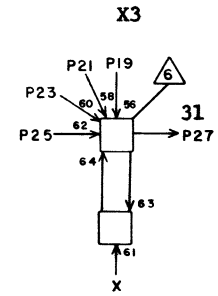
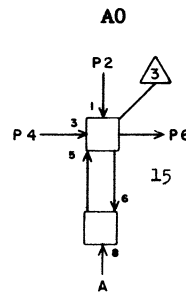
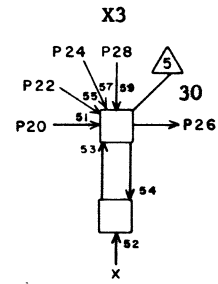
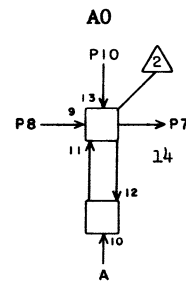
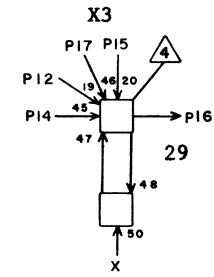
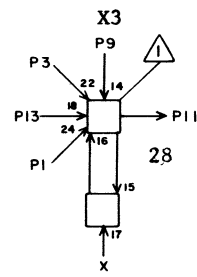
### Operating Registers



RD			
7G23			
1	F24	6	7
2	GND		2
3	K38	12	23
4	D28	23	15
5	F18	8	9
6	A20	20	25
7	A20	4	25
8	D28	11	15
9	J14	7	17
10	GND		2
11	I 7	20	21
12	E37	17	17
13	E37	9	17
14	F24	5	7
15	J14	17	17
16	I 8	20	21
17	K38	24	23
18	G18	21	7
19	J14	24	17
20	F24	2	7
21	K38	17	23
22	E37	12	17
23	E37	24	17
24	K38	9	23
25	F24	7	7
26	I 9	20	19
27	J 1	8	25
28	J14	12	17
JACK	PIN	LG	

63017300 Rev. D

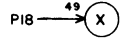
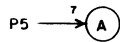
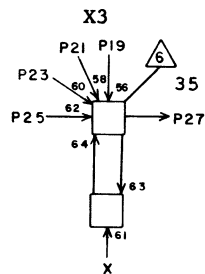
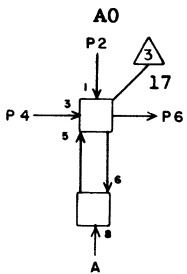
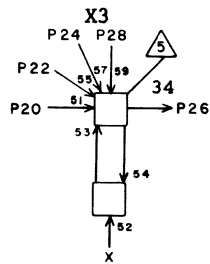
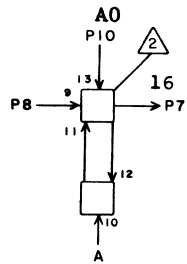
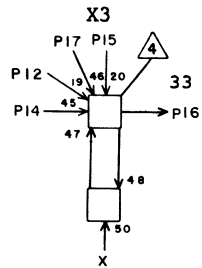
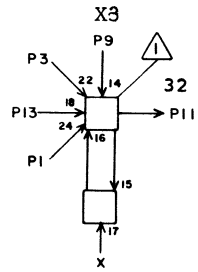
### Operating Registers



RD			
7G24			
1	F24	9	5
2	GND		2
3	K40	12	23
4	D28	18	15
5	F18	10	11
6	A21	20	25
7	A21	4	25
8	D28	8	15
9	J16	7	17
10	GND		2
11	J 2	8	25
12	E39	17	19
13	E39	9	19
14	F24	12	7
15	J16	17	17
16	J 3	8	25
17	K40	24	23
18	G18	24	9
19	J16	24	17
20	F25	6	9
21	K40	17	23
22	E39	12	19
23	E39	24	19
24	K40	9	23
25	F25	5	9
26	J 4	8	23
27	J 5	8	23
28	J16	12	17
JACK	PIN	LG	

63017300 Rev. D

Operating Registers



RD

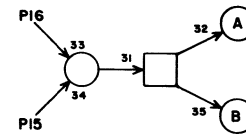
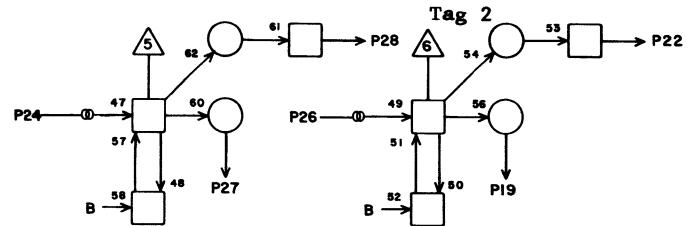
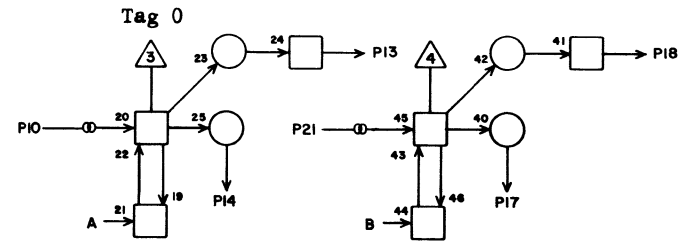
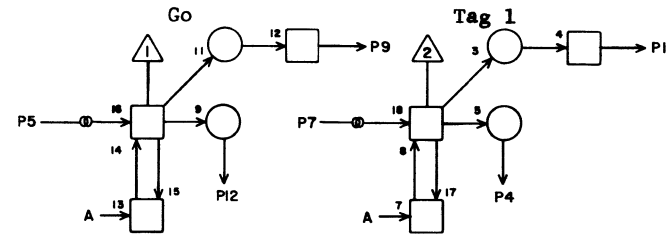
7G25

1	F25	2	7
2	gnd		2
3	K42	12	25
4	D30	23	15
5	F18	12	11
6	A22	20	27
7	A22	4	27
8	D30	11	15
9	J18	7	15
10	gnd		2
11	J 6	8	23
12	E41	17	19
13	E41	9	19
14	F25	7	7
15	J18	17	15
16	J 7	8	23
17	K42	24	25
18	G18	26	9
19	J18	24	15
20	F25	9	7
21	K42	17	25
22	E41	12	19
23	E41	24	19
24	K42	9	25
25	F25	12	7
26	J 8	8	23
27	J 9	8	21
28	J18	12	15

JACK PIN LG

63017300 Rev. D

Exit Control  
Aj to Increment



PI

7G 26

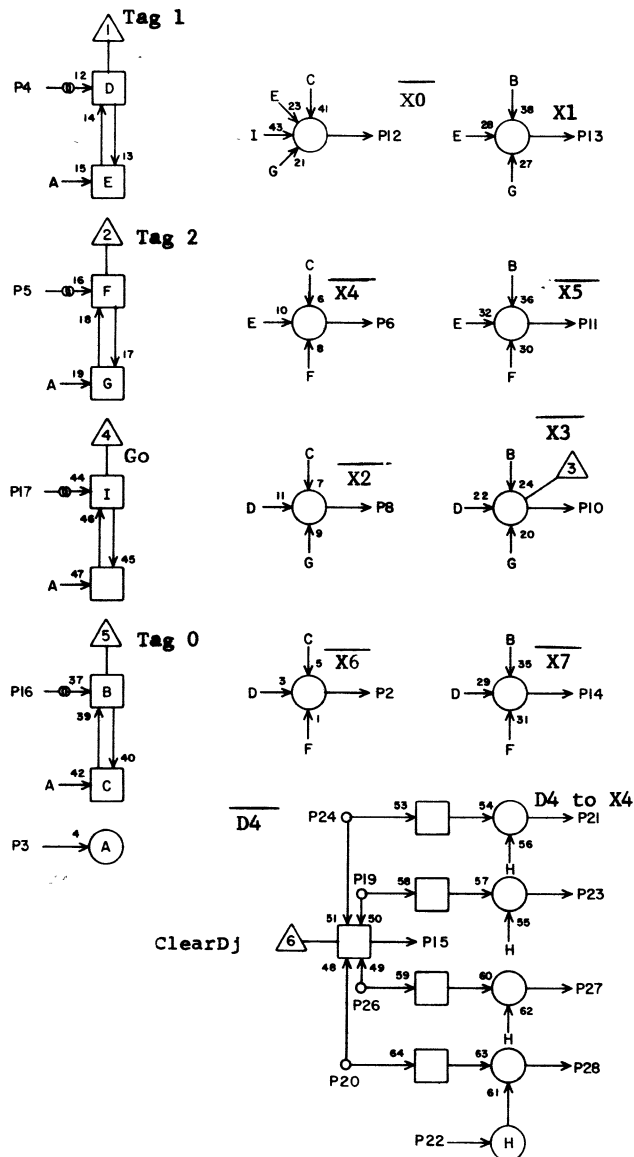
1			
2			
3			
4	E11	6	19
5	W19	96	
6			
7	W19	91	
8			
9	I24	14	180
10	W19	90	
11			
12			
13			
14	C33	16	21
15	gnd		2
16	I22	1	13
17			
18			
19	E11	8	19
20			
21			
22			
23			
24			
25			
26	W19	92	
27			
28			

JACK PIN LG

63017300 Rev. D

7G26

Entry Control: Mult to X



RB

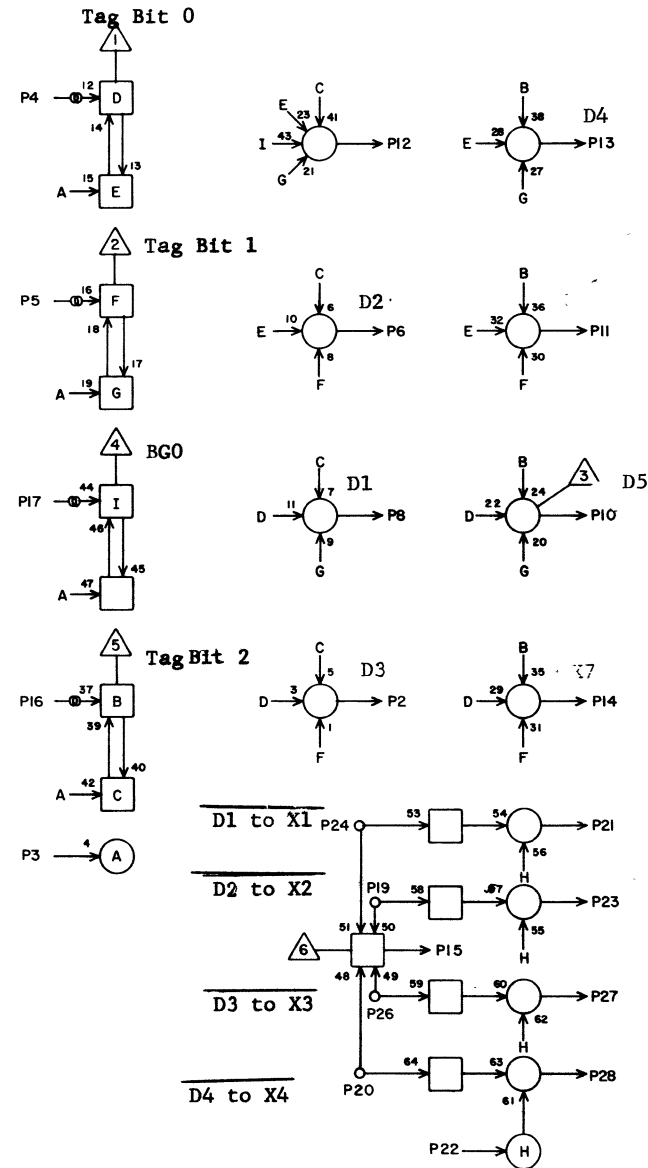
7G 27

1			
2	J22	20	15
3	I14	11	17
4	W16	904	
5	W16	905	
6	J20	20	17
7			
8	E22	20	11
9			
10	E23	20	11
11	J21	20	15
12	E20	20	13
13	E21	20	11
14	J23	20	15
15	K20	5	19
16	W16	903	
17	W16	902	
18			
19			
20			
21	C36	5	21
22	I18	9	13
23			
24	G28	13	5
25			
26			
27			
28			

JACK PIN LG

63017300 Rev. M

Entry Control: Central Memory to D



RB

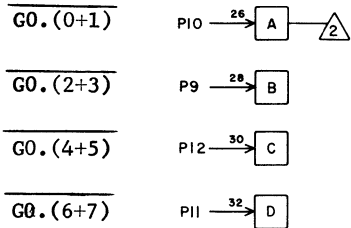
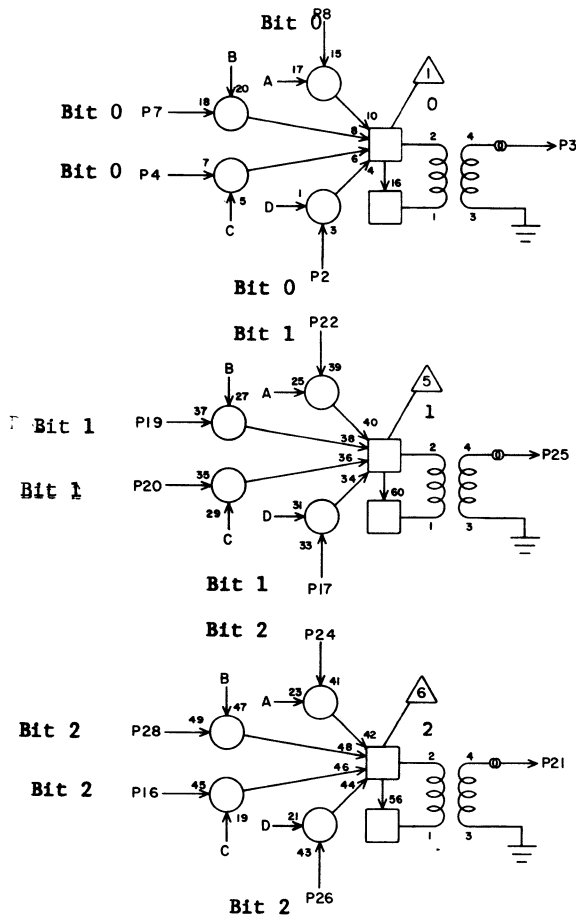
7G 28

1			
2	D25	27	15
3	I14	2	19
4	W17	90	
5	W17	91	
6	D24	27	15
7			
8	D23	27	15
9			
10	D22	27	15
11			
12			
13	G27	24	5
14			
15			
16	W17	92	
17	W19	94	
18			
19	J26	4	15
20	J26	17	15
21	G36	11	11
22	I19	25	15
23	G36	4	11
24	J26	12	15
25			
26	J26	14	15
27	G36	1	11
28	G36	18	11

JACK PIN LG

63017300 Rev. D

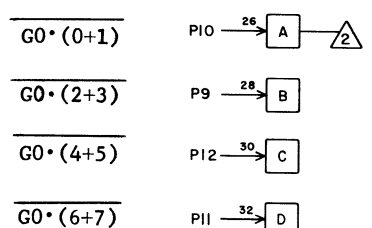
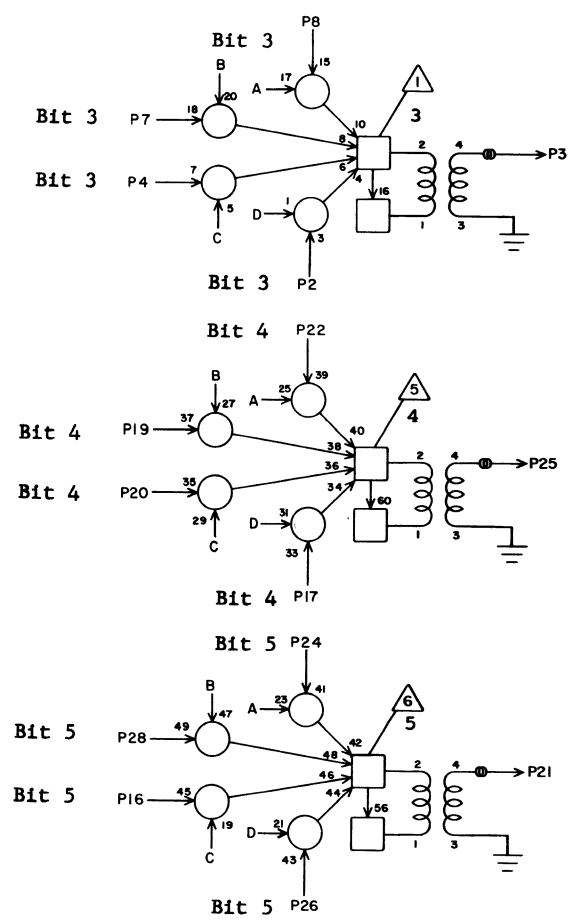
Exit Control: Trunk  
Xk to Multiply



RG 7G 29

JACK	PIN	LG
1		
2	O 1	25 43
3	W12	90
4	L 1	25 33
5		
6		
7	G 1	25 27
8	B 1	25 33
9	G35	25 9
10	G35	15 9
11	H35	25 11
12	H35	15 11
13		
14		
15		
16	L 3	25 33
17	O 2	25 43
18		
19	G 2	25 27
20	L 2	25 33
21	W12	92
22	B 2	25 33
23		
24	B 3	25 33
25	W12	91
26	O 3	25 41
27		
28	G 3	25 25

Exit Control: Trunk  
Xk to Multiply

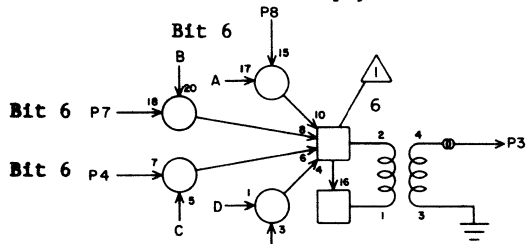


RG 7G 30

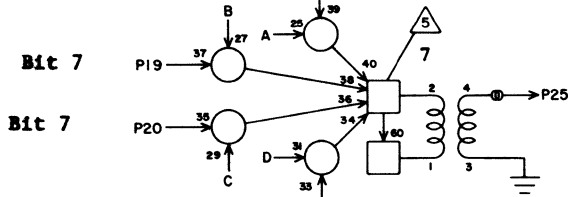
JACK	PIN	LG
1		
2	O 4	25 41
3	W12	93
4	L 4	25 33
5		
6		
7	G 4	25 25
8	D 4	25 31
9	G35	23 9
10	G35	7 9
11	H35	23 11
12	H35	7 11
13		
14		
15		
16	L 6	25 33
17	O 5	25 41
18		
19	G 5	25 25
20	L 5	25 33
21	W12	95
22	B 5	25 31
23		
24	B 6	25 31
25	W12	94
26	O 6	25 39
27		
28	G 6	25 25



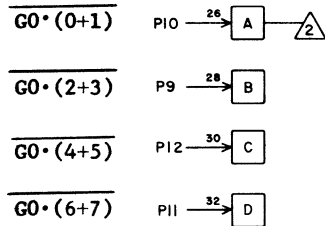
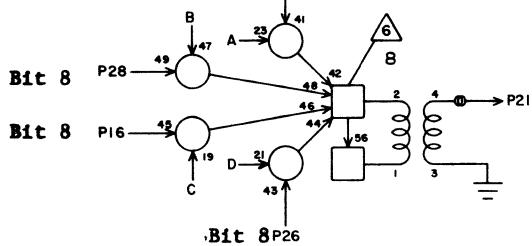
Exit Control: Trunk  
Xk to Multiply



Bit 6 P2  
Bit 7 P22

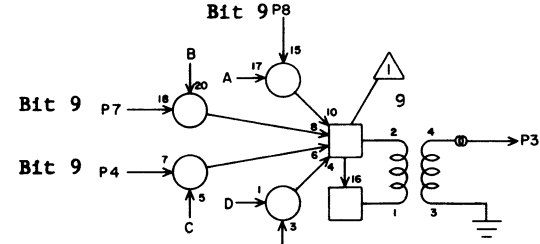


Bit 7 P17  
Bit 8 P24

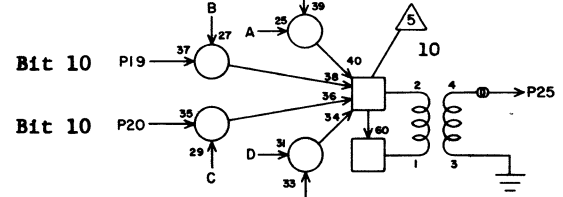


RG		7G 31	
1			
2	O 7	25	41
3	W12	96	
4	L 7	25	33
5			
6			
7	G 7	25	23
8	B 7	25	31
9	G35	26	7
10	G35	6	7
11	H35	26	9
12	H35	6	9
13			
14			
15			
16	L 9	25	33
17	O 8	25	39
18			
19	G 8	25	23
20	L 8	25	33
21	W12	98	
22	B 8	25	31
23			
24	B 9	25	31
25	W12	97	
26	O 9	25	39
27			
28	G 9	25	21
JACK		PIN	LG

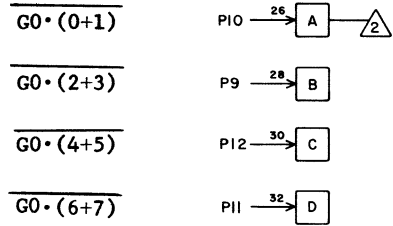
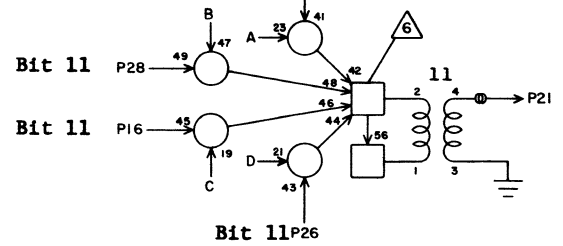
Exit Control: Trunk  
Xk to Multiply



Bit 9 P22



Bit 10 P17  
Bit 11 P24



RG		7G 32	
1			
2	O10	25	41
3	W12	99	
4	L10	25	33
5			
6			
7	H 1	14	31
8	C 1	14	33
9	G35	24	7
10	G35	4	7
11	H35	24	9
12	H35	4	9
13			
14			
15			
16	L12	25	29
17	O11	25	39
18			
19	H 2	14	31
20	L11	25	29
21	W12	901	
22	C 2	14	33
23			
24	C 3	14	33
25	W12	900	
26	O12	25	37
27			
28	H 3	14	29
JACK		PIN	LG

Exit Control: Trunk  
Xk to Multiply

RG 7G 33

1			
2	O13	25	39
3	W12	902	
4	M 1	14	39
5			
6			
7	H 4	14	29
8	C 4	14	33
9	G35	22	5
10	G35	9	5
11	H35	22	9
12	H35	9	9
13			
14			
15			
16	M 3	14	37
17	P 1	14	45
18			
19	H 5	14	27
20	M 2	14	37
21	W12	904	
22	C 5	14	33
23			
24	C 6	14	31
25	W12	903	
26	P 2	14	45
27			
28	H 6	14	27

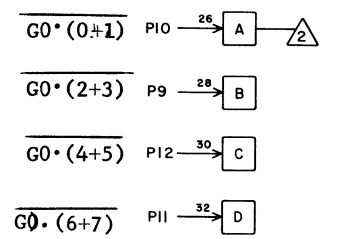
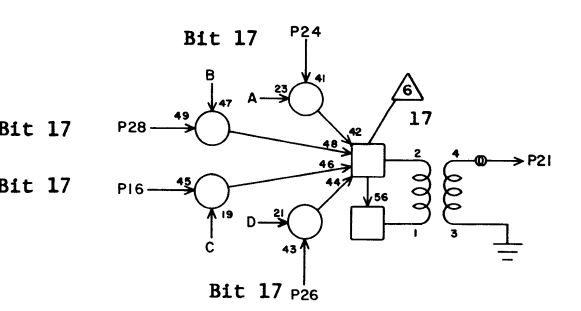
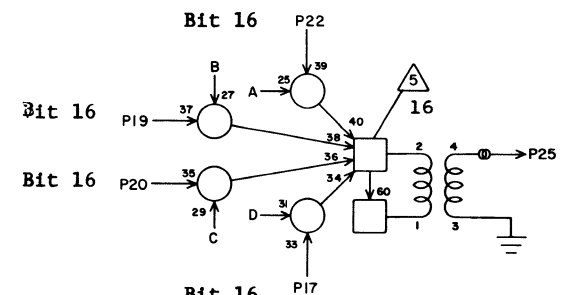
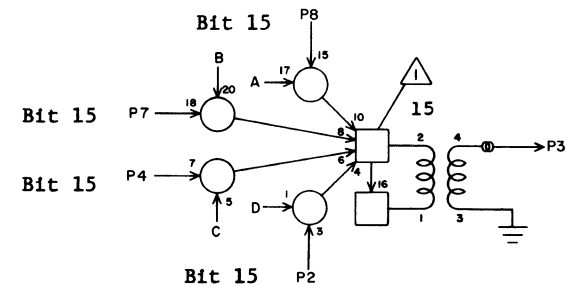
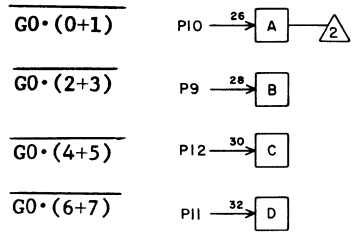
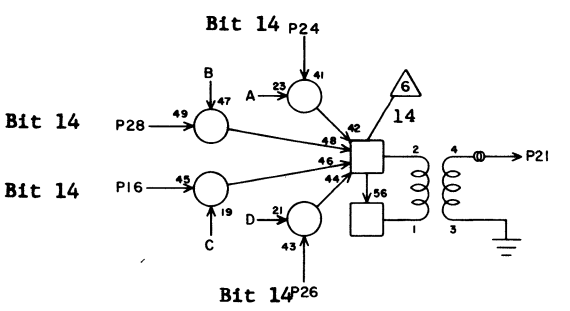
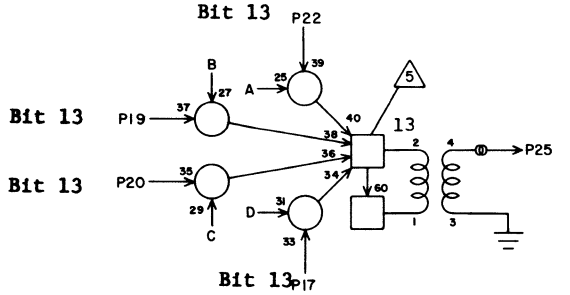
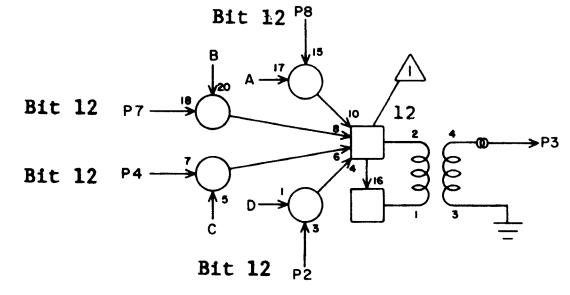
JACK PIN LG

Exit Control: Trunk  
Xk to Multiply

RG 7G 34

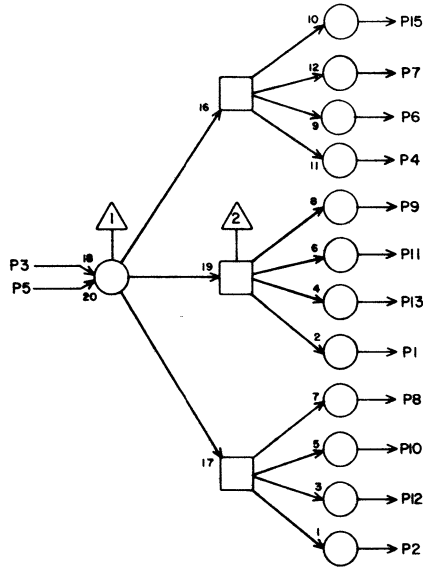
1			
2	P 3	14	45
3	W12	905	
4	M 4	14	37
5			
6			
7	H 7	14	27
8	C 7	14	31
9	G35	20	3
10	G35	11	3
11	H35	20	9
12	H35	11	9
13			
14			
15			
16	M 6	14	37
17	P 4	14	45
18			
19	H 8	14	27
20	M 5	14	37
21	W12	907	
22	C 8	14	31
23			
24	C 9	14	31
25	W12	906	
26	P 5	14	43
27			
28	H 9	14	25

JACK PIN LG

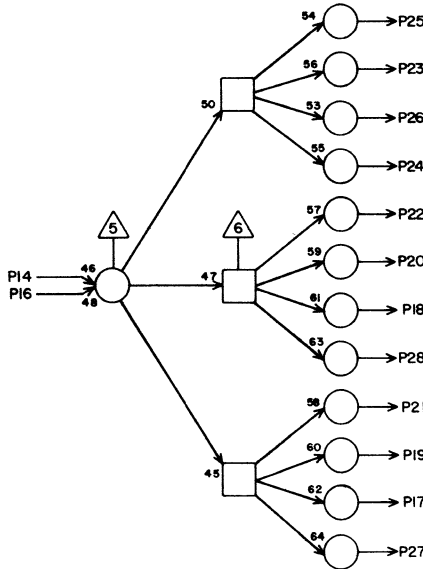


Exit Control  
Xk to Multiply

FGO  
0+1



GO  
2+3



TC

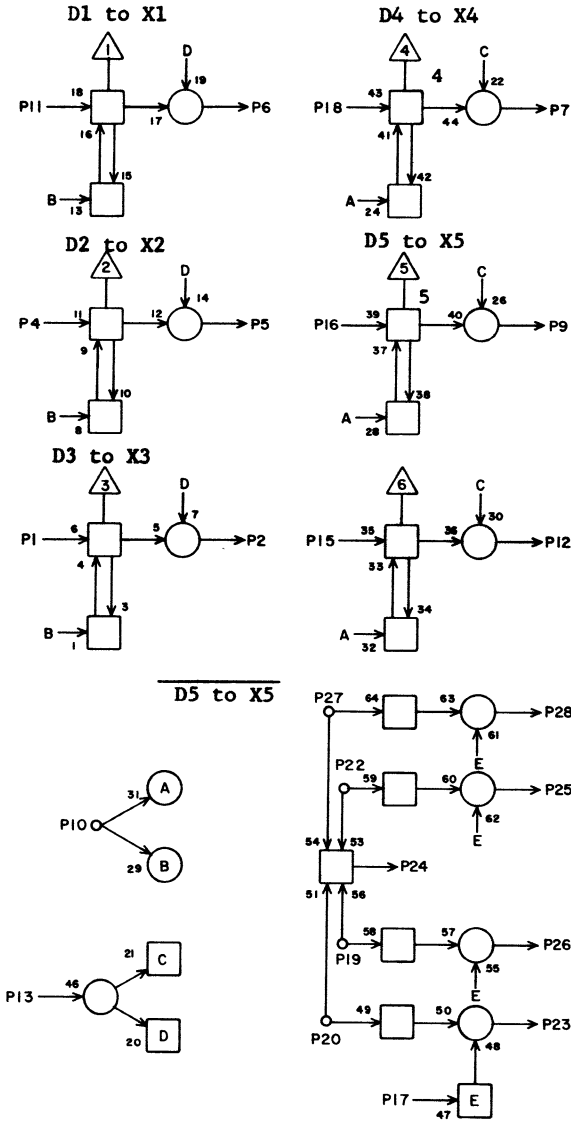
7G 35

1	H30	10	11
2	H34	10	9
3	H25	5	13
4	G32	10	7
5	I36	15	11
6	G31	10	7
7	G30	10	9
8	H31	10	9
9	G33	10	5
10	H32	10	9
11	G34	10	3
12	H33	10	7
13	H29	10	11
14	H25	7	13
15	G29	10	9
16	I36	13	11
17	H33	9	7
18	H29	9	9
19	H32	9	9
20	G34	9	3
21	H31	9	9
22	G33	9	5
23	G30	9	9
24	G32	9	7
25	G29	9	9
26	G31	9	7
27	H34	9	9
28	H30	9	11

JACK PIN LG

63017300 Rev. D

Entry Control  
D to X



RE

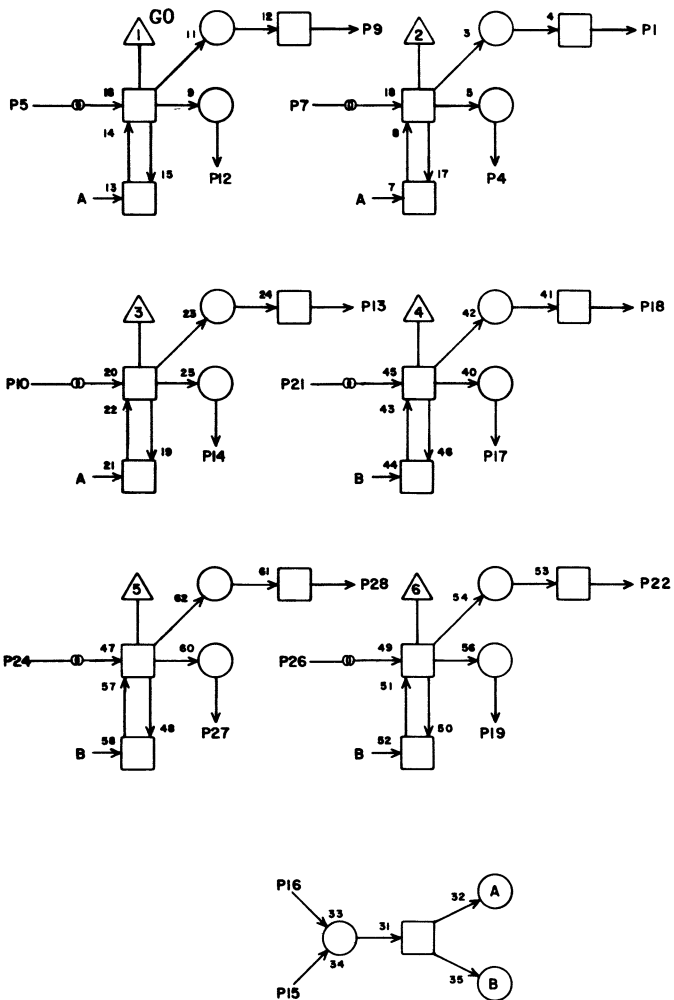
7G 36

1	G28	27	11
2	E23	27	21
3			
4	G28	23	11
5	E22	27	17
6	E21	27	17
7	J20	27	23
8			
9	J21	27	23
10	I14	6	120
11	G28	21	11
12			
13	gnd		2
14			
15			
16	G36	28	3
17	I19	23	19
18	G28	28	11
19			
20			
21			
22			
23			
24			
25			
26			
27	J26	27	17
28	G36	16	3

JACK PIN LG

63017300 Rev. H

Entry Control  
Exchange Jump



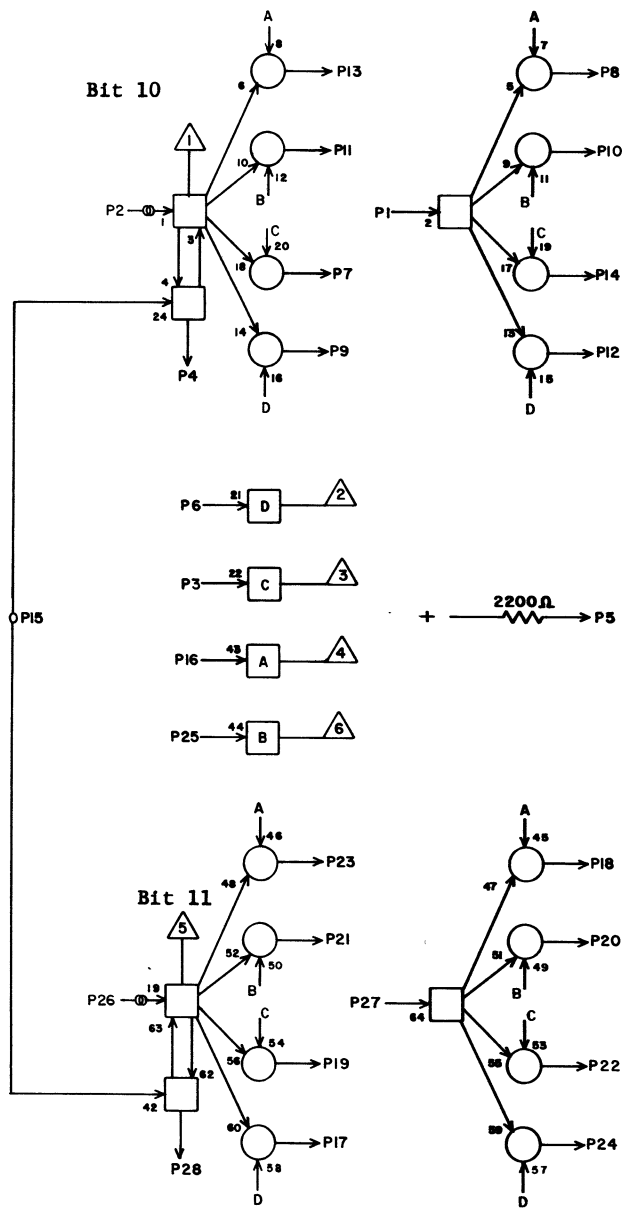
PI 7G 37

1			
2			
3			
4			
5	W20	93	
6			
7			
8			
9			
10			
11			
12	C36	25	21
13			
14			
15			
16	I13	11	27
17			
18			
19			
20			
21			
22			
23			
24			
25			
26			
27			
28			

JACK PIN LG

63017300 Rev. D

Entry Control: Trunk,  
Increment to A, B & X



7G38

RA

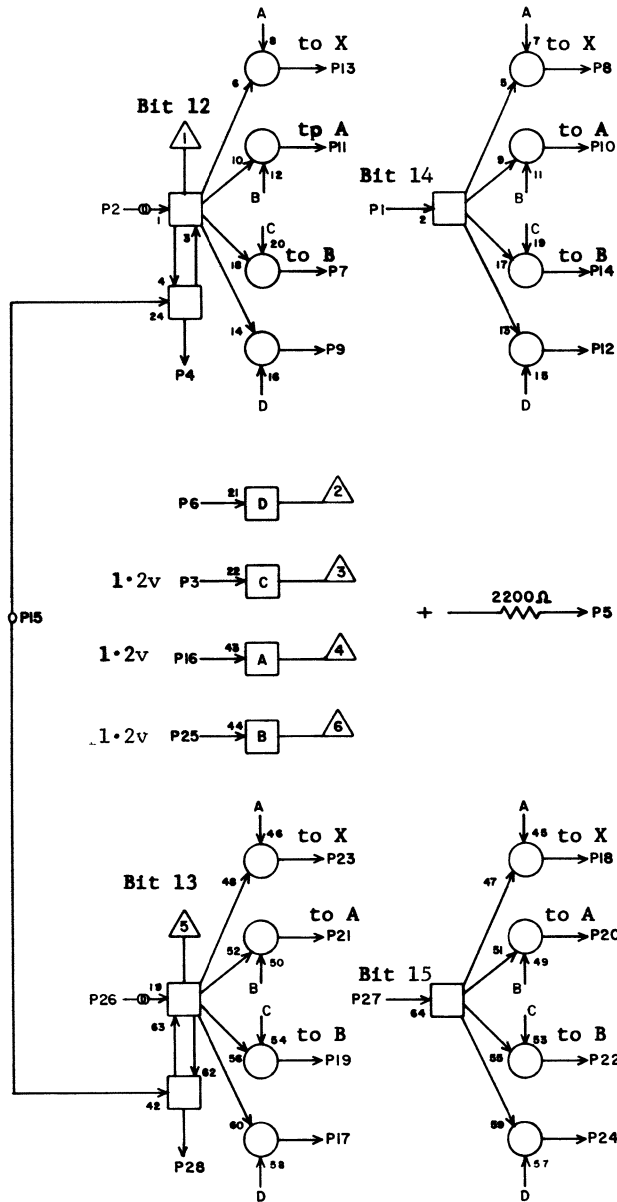
1	F42	4	9
2	W21	91	
3			
4	F42	1	9
5	F42	25	9
6			
7			
8			
9			
10			
11			
12			
13			
14			
15	F37	11	7
16			
17			
18			
19			
20			
21			
22			
23			
24			
25			
26	W21	92	
27	F42	28	9
28	F42	27	9

JACK PIN LG

63017300 Rev. D

7G38

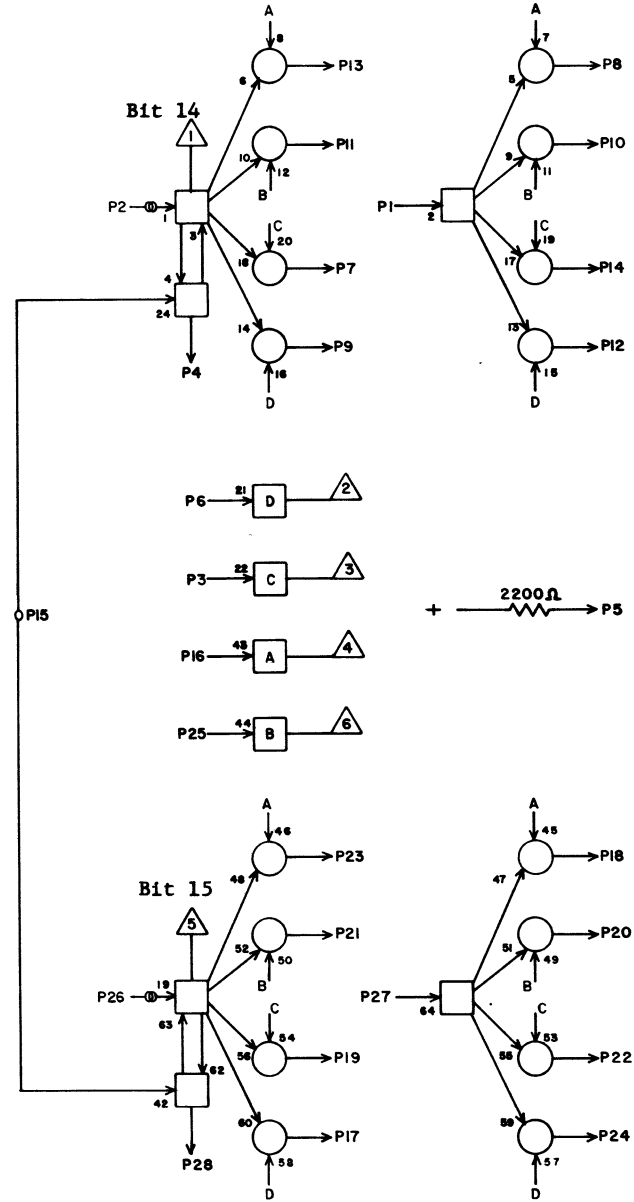
Entry Control: Trunk  
Increment to A,B & X



RA		7G 39	
JACK	PIN	LG	
1	G40	4	3
2	W21	93	
3	E37	5	11
4	G40	1	3
5	G39	16	5
6			
7	N30	2	29
8	H22	2	19
9			
10	D29	2	21
11	D28	2	19
12			
13	H21	2	21
14	N31	2	29
15	F37	13	9
16	G39	5	5
17			
18	H22	26	19
19	N30	26	31
20	D29	26	19
21	D28	26	19
22	N31	26	29
23	H21	26	21
24			
25	G40	5	5
26	W21	94	
27	G40	28	3
28	G40	27	3

63017300 Rev. D

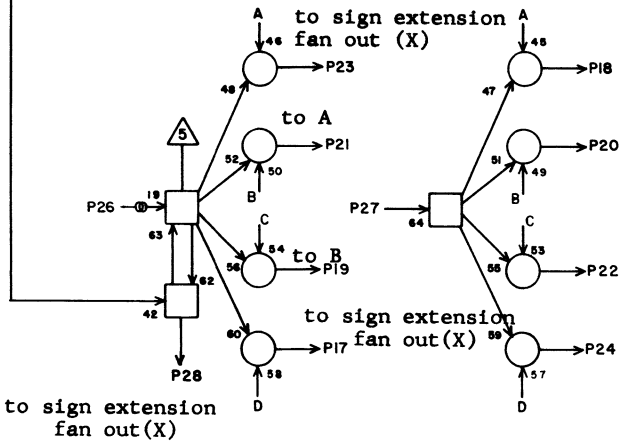
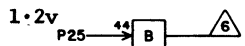
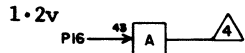
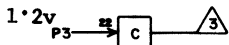
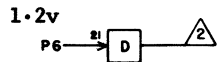
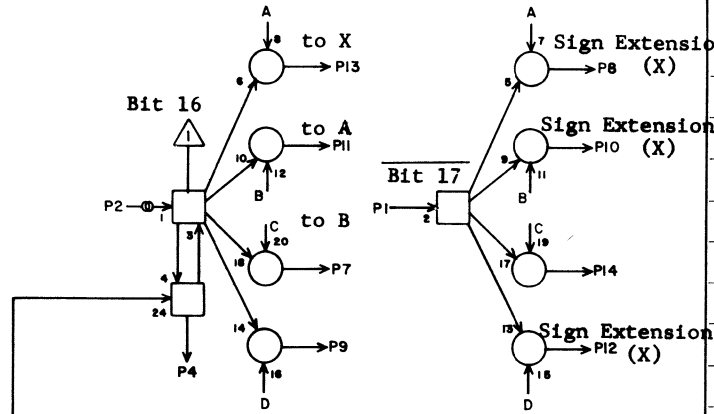
Entry Control: Trunk  
Increment to A,B & X



RA		7G 40	
JACK	PIN	LG	
1	G39	4	3
2	W21	95	
3			
4	G39	1	3
5	G39	25	5
6			
7			
8			
9			
10			
11			
12			
13			
14			
15	F37	1	7
16			
17			
18			
19			
20			
21			
22			
23			
24			
25			
26	W21	96	
27	G39	28	3
28	G39	27	3

63017300 Rev. D

Entry Control: Trunk  
Increment to A, B & X



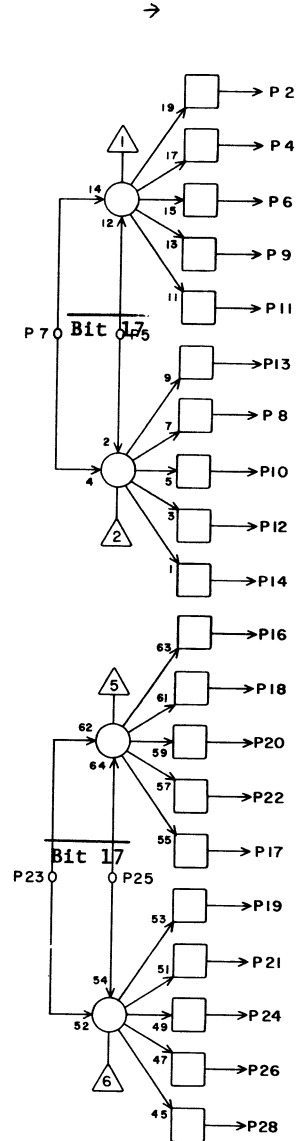
RA 7G 41

1	G41	17	5
2	W21	97	
3	E38	5	11
4			
5	G41	16	5
6	H42	5	7
7	N32	2	29
8	J12	2	29
9			
10	J14	2	29
11	D30	2	19
12	J15	2	27
13	H23	2	21
14			
15	F37	8	9
16	G41	5	5
17	G41	1	5
18			
19	N32	26	31
20			
21	D30	26	19
22			
23	G42	25	3
24			
25	E42	5	13
26	W21	98	
27			
28	G42	5	5

JACK PIN LG

65017300 Rev. D

Entry Control:  
Increment to X (Sign Extension)



HC 7G42

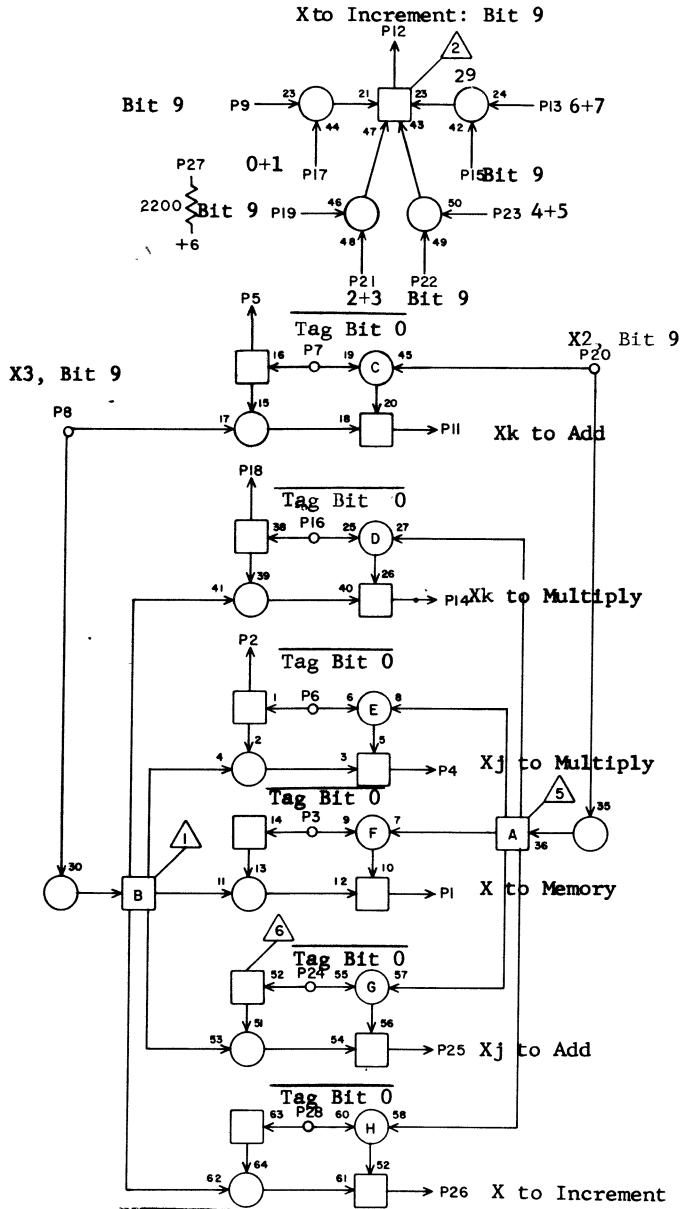
1			
2	J15	26	29
3			
4			
5	G41	28	5
6			
7			
8	H23	26	21
9	J17	2	27
10	J11	2	33
11	J16	2	29
12	J11	26	33
13			
14	J16	26	29
15			
16			
17	J19	2	27
18	J19	26	27
19	J18	26	27
20	J12	26	33
21	J18	2	27
22	J14	26	29
23			
24	J13	26	31
25	G41	23	3
26	J17	26	27
27			
28	J13	2	29

JACK PIN LG

63017300 Rev. D

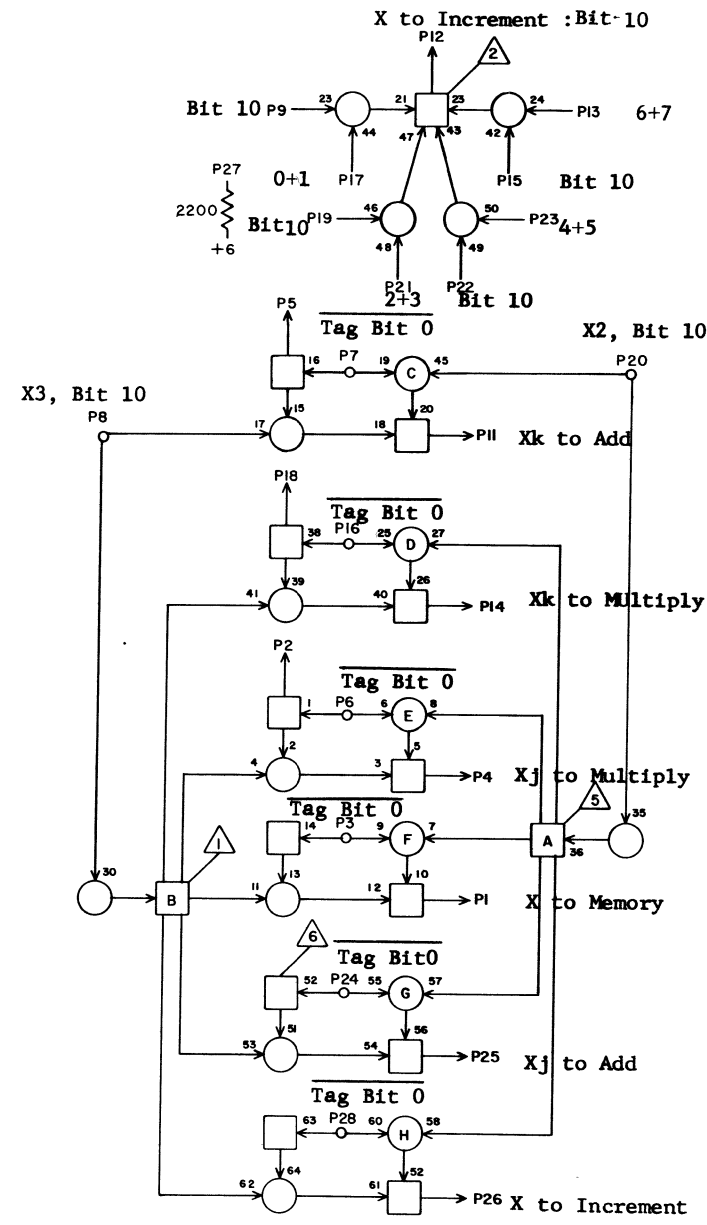
7G42

Exit Control: X Registers



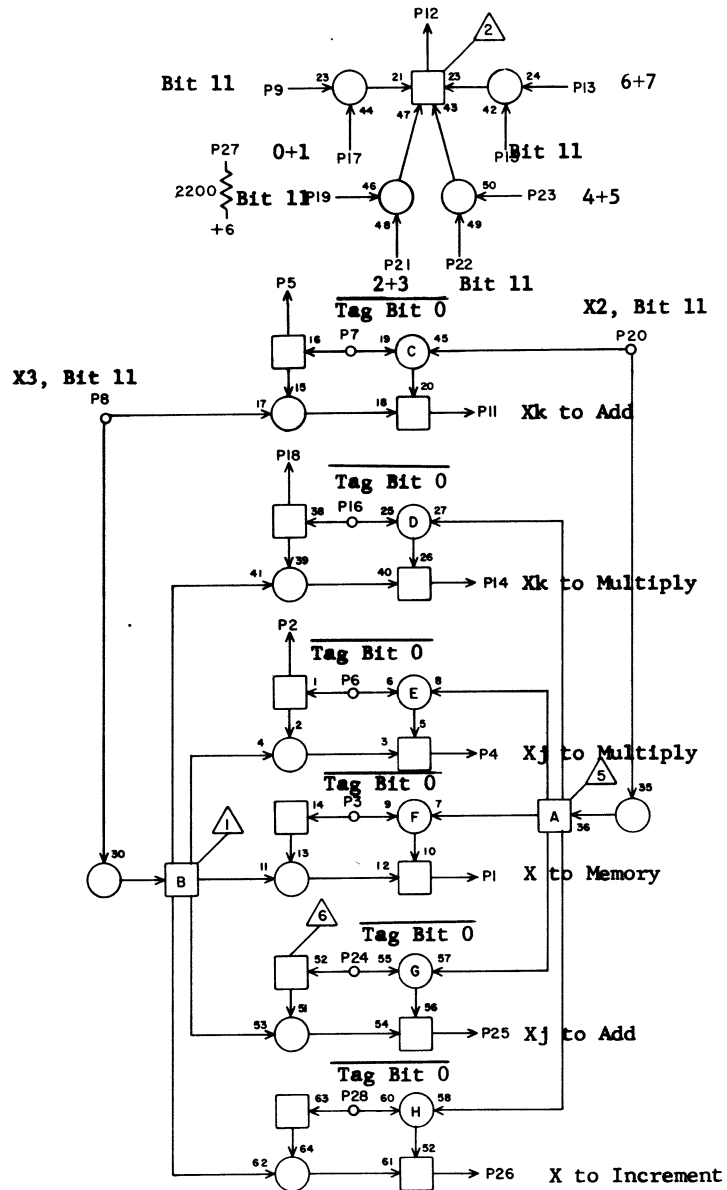
RF	7H 1		
1	C 1	19	21
2	G 1	28	3
3	G 1	5	7
4	I32	7	31
5	G 1	3	9
6	F 7	15	11
7	F 4	15	11
8	G17	16	17
9	C 1	26	21
10			
11	M42	4	41
12	K30	4	31
13	H10	19	11
14	G32	7	31
15	O10	4	29
16	F 5	25	13
17	G10	10	13
18	G 1	24	7
19	H 1	26	3
20	F14	16	17
21	G10	19	13
22	L10	4	19
23	H10	10	11
24	G 1	18	9
25	L10	19	19
26	H 1	19	3
27			
28	G 1	21	11

Exit Control: X Registers



RF	7H 2		
1	C 2	19	21
2	G 2	28	5
3	G 2	5	7
4	I32	19	29
5	G 2	3	9
6	F 7	7	13
7	F 4	7	11
8	G17	26	17
9	C 2	26	21
10			
11	M42	20	41
12	K30	20	29
13	H10	17	11
14	G32	19	31
15	O11	4	29
16	F 5	23	11
17	G10	12	11
18	G 2	24	7
19	H 2	26	3
20	F14	26	17
21	G10	17	11
22	L11	4	19
23	H10	12	11
24	G 2	8	9
25	L11	19	19
26	H 2	19	3
27			
28	G 2	2	11

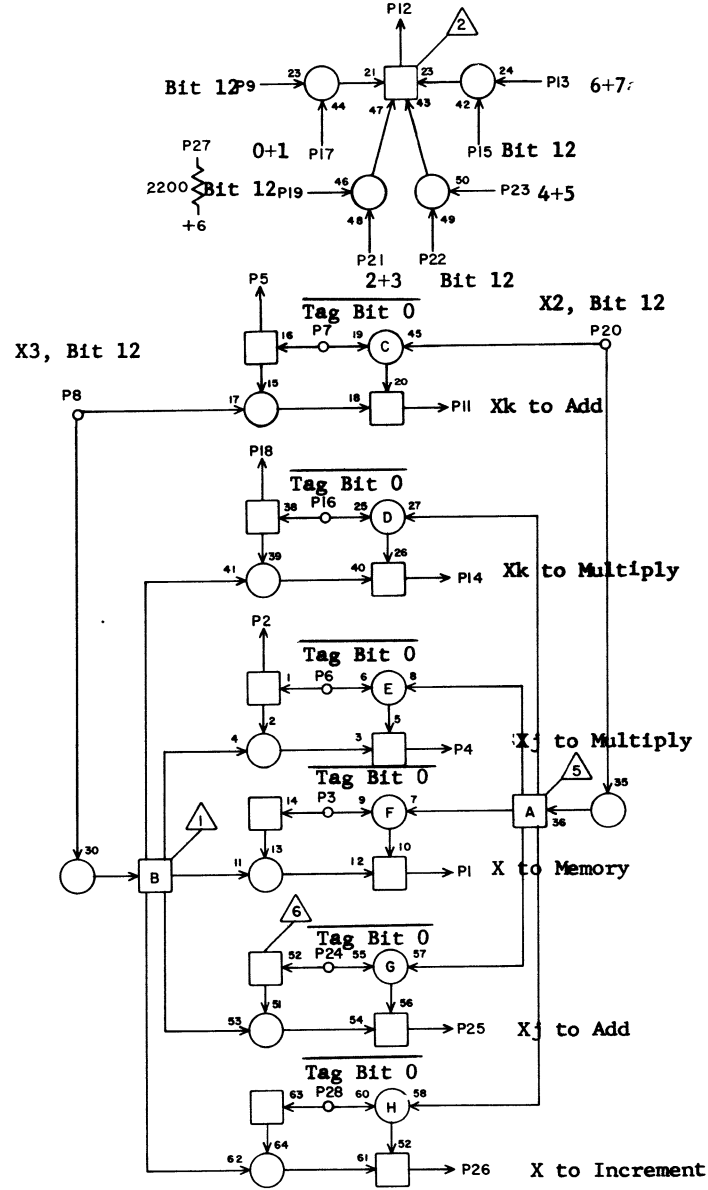
Exit Control: X Registers  
X to Increment: Bit 11



RF		7H 3	
1	C 3	19	21
2	G 3	28	3
3	G 3	5	7
4	I32	28	29
5	G 3	3	7
6	F 7	6	11
7	F 4	6	11
8	G17	27	17
9	C 3	26	21
10			
11	M42	16	41
12	K30	16	29
13	H10	27	11
14	G32	28	29
15	O12	4	29
16	F 5	26	11
17	G10	2	11
18	G 3	24	5
19	H 3	26	3
20	F14	27	15
21	G10	27	11
22	L12	4	19
23	H10	2	11
24	G 3	18	9
25	L12	19	19
26	H 3	19	3
27			
28	G 3	2	11
	JACK	PIN	LG

63017300 Rev. D

Exit Control: Registers  
X to Increment: Bit 12

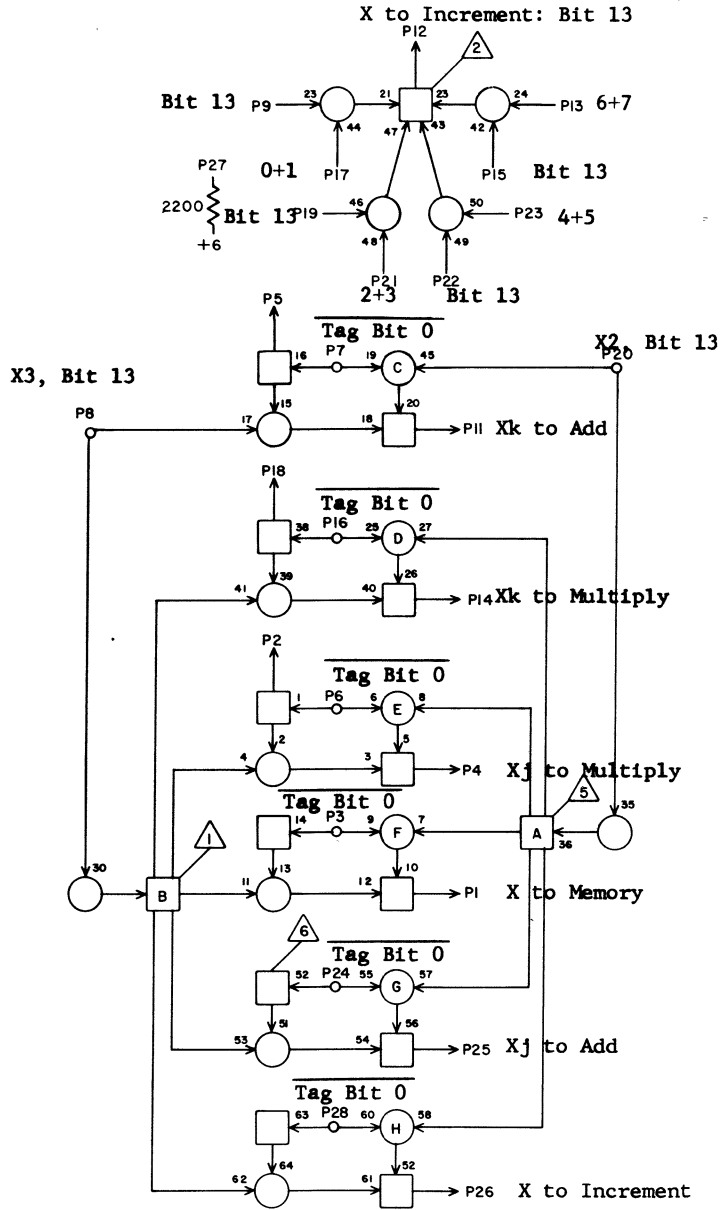


RF		7H 4	
1	C 4	19	21
2	G 4	28	3
3	G 4	5	7
4	I33	7	29
5	G 4	3	9
6	F 7	4	11
7	F 4	4	11
8	G20	11	19
9	C 4	26	21
10			
11	N35	4	37
12	K31	4	29
13	J10	14	13
14	G33	7	29
15	O13	4	29
16	F 5	24	11
17	I10	14	11
18	G 4	24	5
19	H 4	26	3
20	F15	11	17
21	I10	16	11
22	M 1	26	23
23	I10	2	9
24	G 4	18	9
25	M 1	19	23
26	H 4	19	3
27			
28	G 4	2	11
	JACK	PIN	LG

63017300 Rev. D



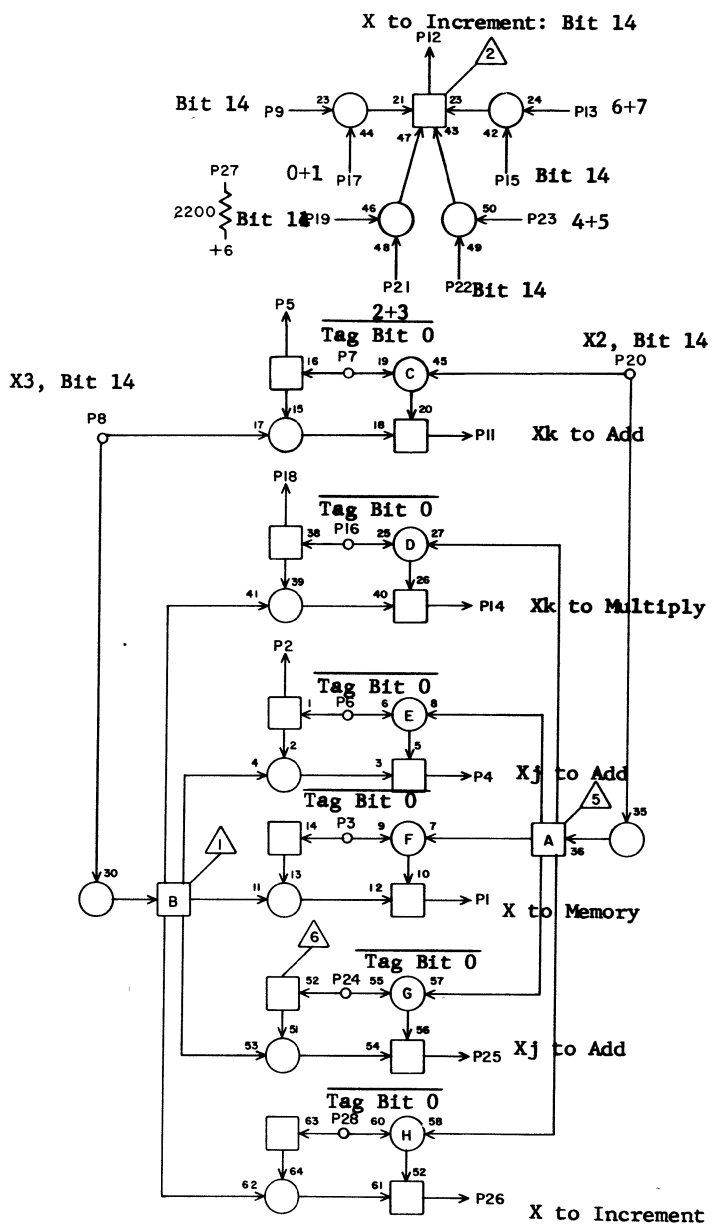
Exit Control: X Registers



RF		7H 5	
1	C 5	19	23
2	G 5	28	3
3	G 5	5	7
4	I33	19	27
5	G 5	3	9
6	F 7	9	11
7	F 4	9	11
8	G20	16	17
9	C 5	26	21
10			
11	N35	20	37
12	K31	20	29
13	J10	8	11
14	G33	19	27
15	P 1	26	33
16	F 5	22	11
17	I10	8	9
18	G 5	24	5
19	H 5	26	3
20	F15	16	15
21	I10	18	9
22	M 2	26	23
23	I10	12	9
24	G 5	18	7
25	M 2	19	23
26	H 5	19	
27			
28	G 5	2	11

JACK PIN LG

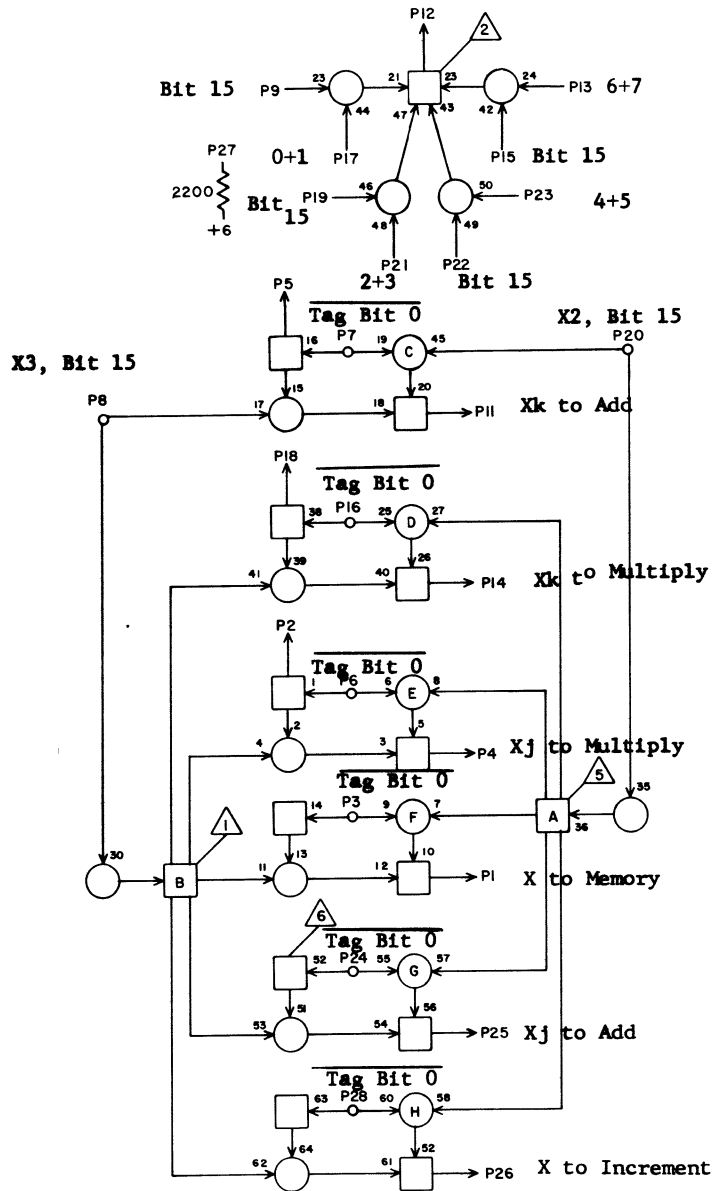
Exit Control: X Registers



RF		7H 6	
1	C 6	19	21
2	G 6	28	3
3	G 6	5	7
4	I33	28	27
5	G 6	3	9
6	F 7	11	11
7	F 4	11	11
8	G20	26	17
9	C 6	26	21
10			
11	N35	16	37
12	K31	16	27
13	J10	7	11
14	G33	28	27
15	P 2	26	33
16	F 5	20	11
17	I10	7	9
18	G 6	24	5
19	H6	26	3
20	F15	26	13
21	I10	20	9
22	M 3	26	23
23	I10	10	9
24	G 6	18	9
25	M 3	19	23
26	H 6	19	3
27			
28	G 6	2	11

JACK PIN LG

Exit Control: : X registers  
X to Increment: Bit 15



RF

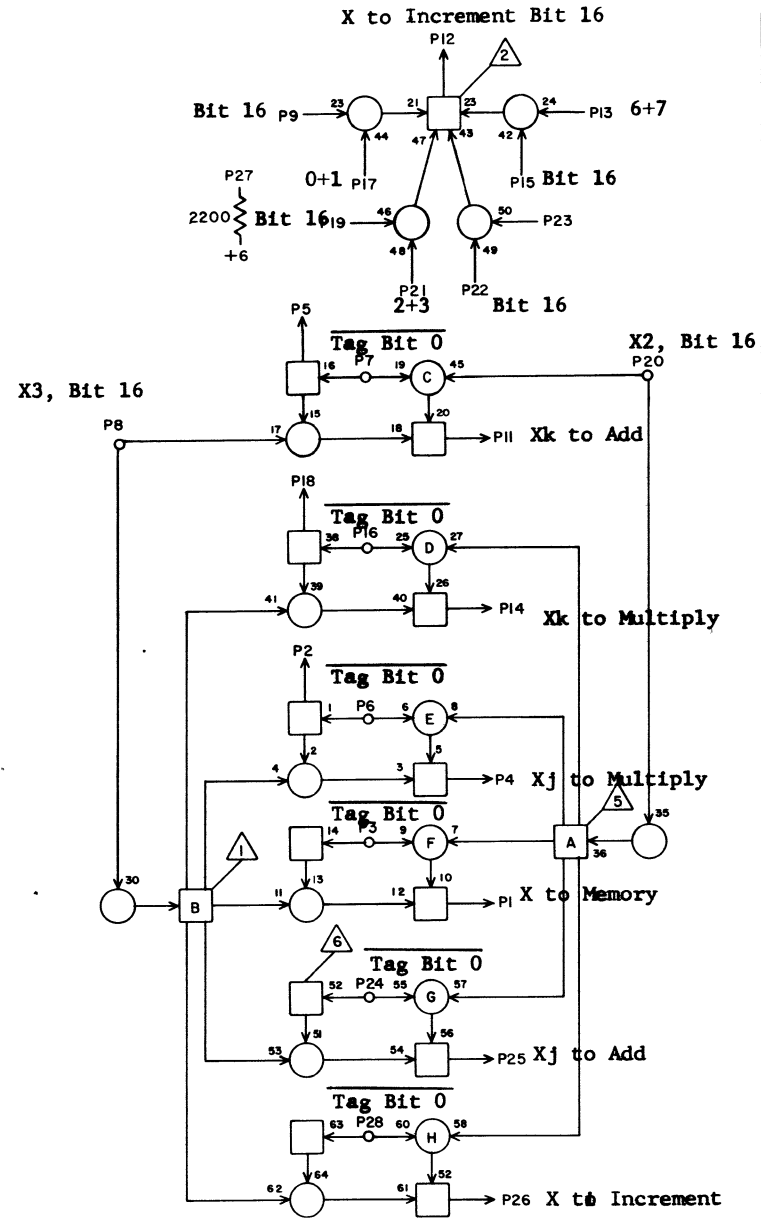
7H 7

1	C 7	19	21
2	G 7	28	3
3	G 7	5	7
4	I34	7	27
5	G 7	3	7
6	F 7	13	11
7	F 4	13	11
8	G20	27	15
9	C 7	26	21
10			
11	N36	4	37
12	K32	4	27
13	J10	22	13
14	G34	7	27
15	P 3	26	33
16	F 5	18	11
17	I10	22	9
18	G 7	24	5
19	H 7	26	3
20	F15	27	13
21	I10	24	9
22	M 4	26	23
23	I10	4	7
24	G 7	18	7
25	M 4	19	23
26	H 7	19	3
27			
28	G 7	2	11

JACK PIN LG

63017300 Rev. B

Exit Control: X Registers



RF

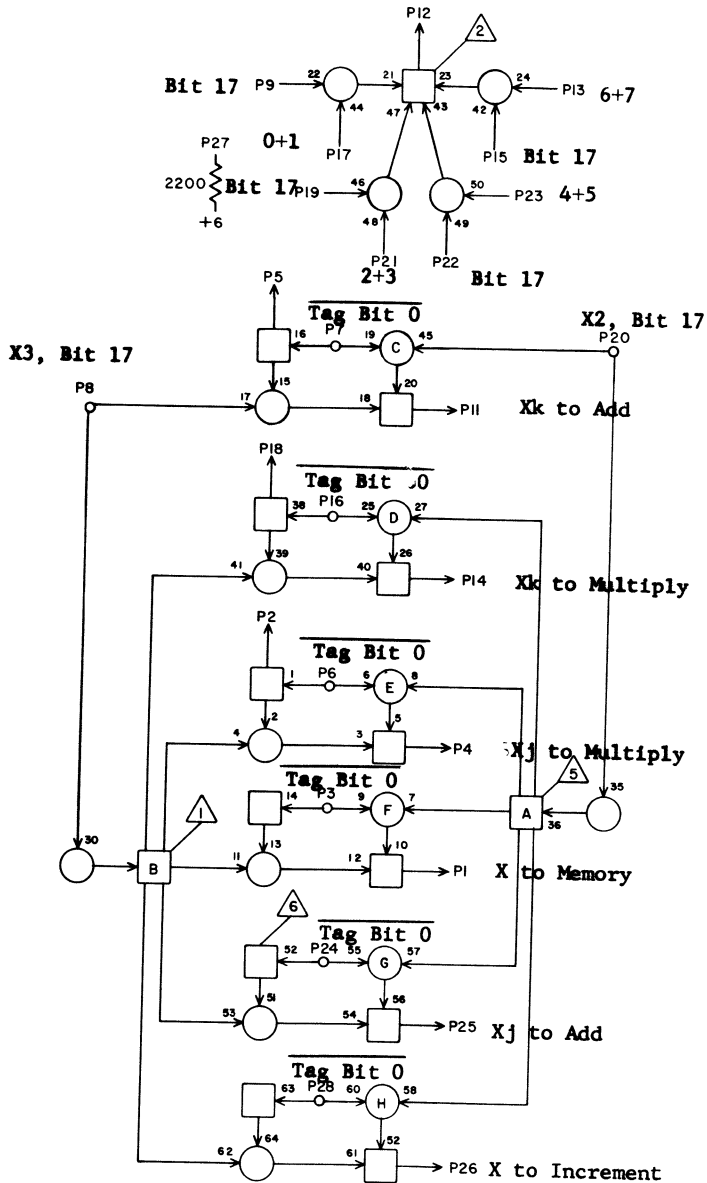
7H 8

1	C 8	19	21
2	G 8	28	3
3	G 8	5	7
4	I34	19	27
5	G 8	3	7
6	F 7	1	13
7	F 4	1	13
8	G21	11	15
9	C 8	26	29
10			
11	N36	20	37
12	K32	20	27
13	J10	21	13
14	G34	19	27
15	P 4	26	33
16	F 5	28	11
17	I10	21	9
18	G 8	24	5
19	H 8	26	3
20	F16	11	15
21	I10	5	7
22	M 5	26	23
23	I10	23	9
24	G 8	18	9
25	M 5	19	23
26	H 8	19	3
27			
28	G 8	2	11

JACK PIN LG

63017300 Rev. D

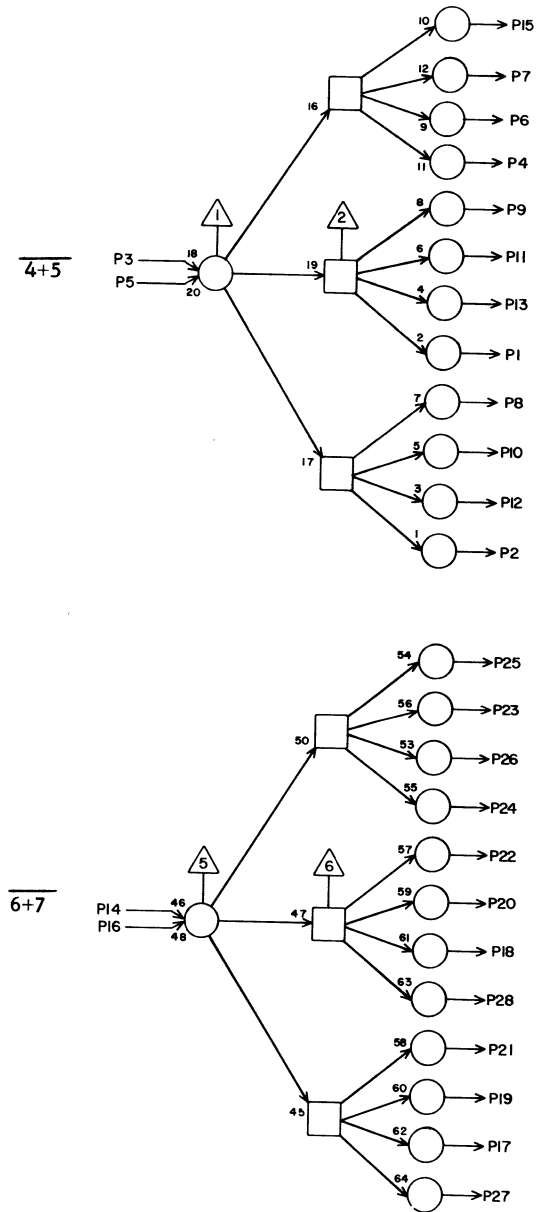
Exit Control: X Registers  
X to Increment: Bit 17



RF 7H 9			
	JACK	PIN	LG
1	C 9	19	21
2	G 9	28	3
3	G 9	5	7
4	I34	28	27
5	G 9	3	7
6	F 7	8	11
7	F 4	8	13
8	G21	16	13
9	C 9	26	21
10			
11	N36	16	37
12	K32	16	27
13	J10	15	15
14	G34	28	25
15	P 5	26	33
16	F 5	21	11
17	I10	15	7
18	G 9	24	5
19	H 9	26	3
20	F16	16	13
21	I10	9	7
22	M 6	26	23
23	I10	19	7
24	G 9	18	7
25	M 6	19	23
26	H 9	19	3
27			
28	G 9	2	11

63017300 Rev. D

Exit Control  
X to Increment



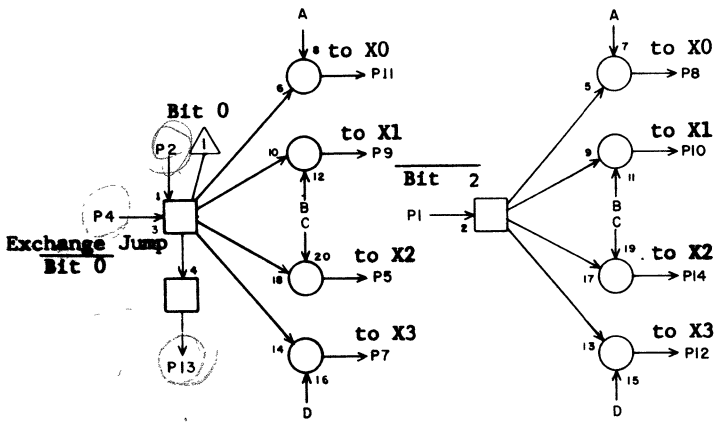
7H10

TC 7H 10

TC 7H 10			
	JACK	PIN	LG
1	G 8	23	5
2	H 3	23	11
3	L13	4	19
4	G 4	23	9
5	gnd		2
6	G 3	23	11
7	G 2	23	11
8	G 9	23	5
9	G 5	23	9
10	H 1	23	11
11	G 6	23	7
12	H 2	23	11
13	G 7	23	7
14	L13	17	19
15	G 1	23	13
16	gnd		2
17	H 2	13	11
18	G 7	13	9
19	H 1	13	11
20	G 6	13	9
21	G 9	13	9
22	G 5	13	11
23	G 2	13	13
24	G 4	13	11
25	G 1	13	13
26	G 3	13	11
27	H 3	13	11
28	G 8	13	9

63017300 Rev. D

Entry Control:  
Increment to X & Exchange Jump

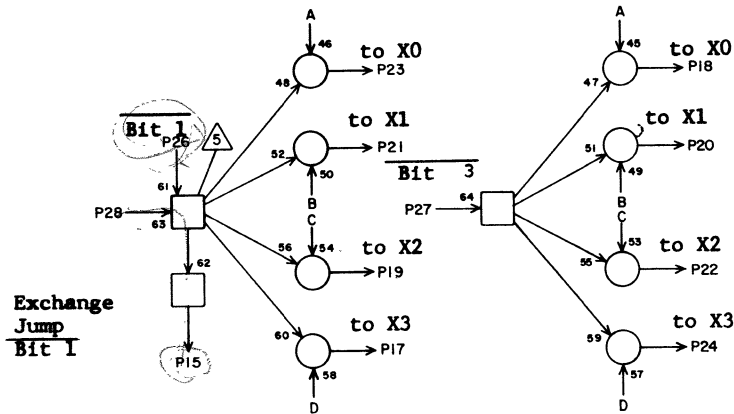


Increment to X3 P6 → 2

Increment to X2 P3 → 3

Increment to X0 P16 → 4

Increment to X1 P25 → 6



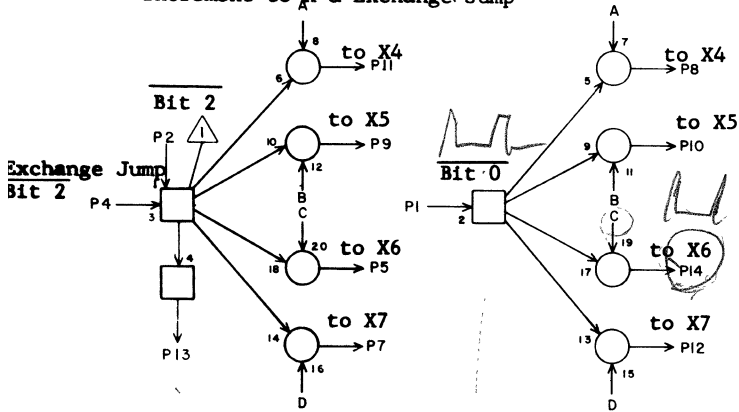
Exchange Jump  
BIT 1

RC 7H 12

1	H13	13	5
2	F38	13	27
3	H20	2	11
4	A38	10	37
5	F12	9	11
6	H20	26	11
7	G15	9	9
8	C12	28	23
9	D15	9	19
10	D15	28	19
11	C12	9	23
12	G15	28	9
13	H13	1	5
14	F12	28	11
15	H13	27	3
16	H16	2	7
17	G15	15	9
18	C12	19	23
19	F12	15	11
20	D15	19	19
21	D15	15	19
22	F12	19	11
23	C12	15	23
24	G15	19	9
25	H16	16	7
26	F38	23	27
27	H13	15	5
28	A38	20	37

JACK PIN LG

Entry Control  
Increment to X & Exchange Jump



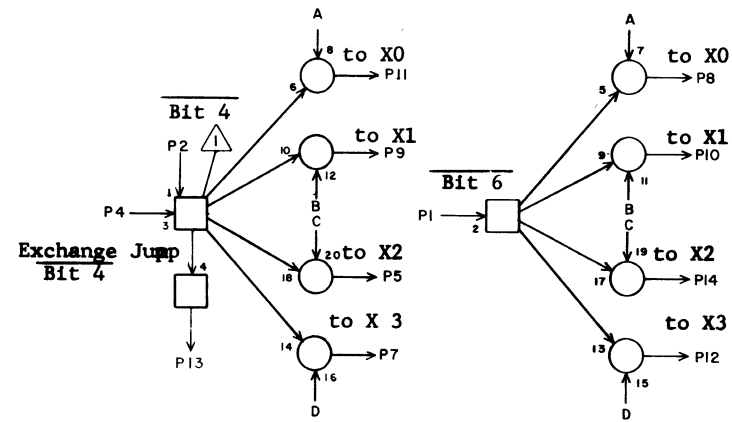
RC 7H13

1	H12	13	5
2	F38	3	27
3	K19	2	15
4	A38	11	37
5	N16	23	27
6	K19	26	15
7	O16	28	31
8	L16	9	19
9	M16	38	23
10	M16	9	23
11	L16	28	19
12	O16	9	31
13	H12	1	5
14	N16	9	25
15	H12	27	5
16	K18	2	15
17	O16	19	31
18	L16	15	19
19	N16	19	25
20	M16	15	23
21	M16	19	23
22	N16	15	25
23	L16	19	19
24	O16	15	29
25	K13	16	15
26	F38	28	27
27	H12	15	3
28	A30	12	37

JACK PIN LG

63017300 Rev. D

Entry Control  
Increment to X & Exchange Jump

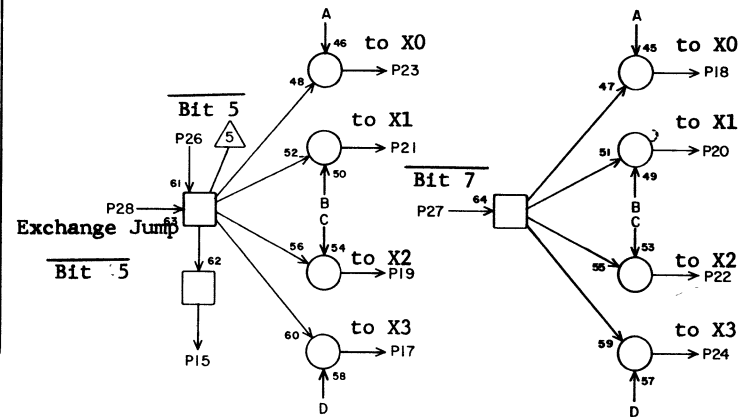


Increment to X3 P6 → 21 D → 2

Increment to X2 P3 → 22 C → 3

Increment to X0 P16 → 43 A → 4

Increment to X1 P25 → 44 B → 6



RC 7H14

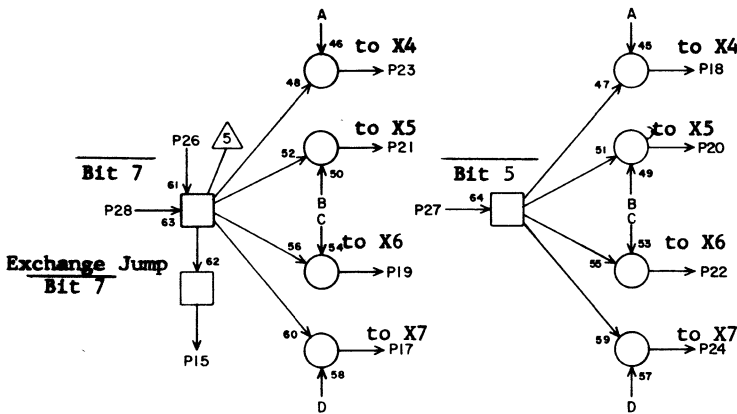
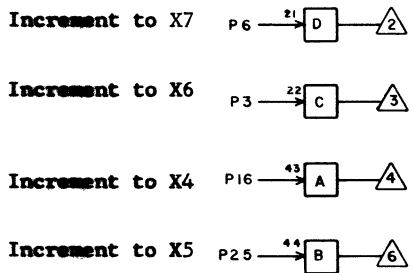
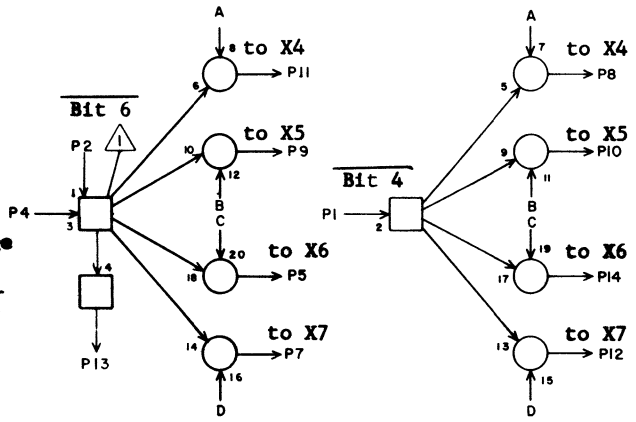
1	H15	13	5
2	F40	13	27
3	H20	4	9
4	A40	10	37
5	F13	9	11
6	H20	18	9
7	G16	9	7
8	C13	28	23
9	D16	9	19
10	D16	28	19
11	C13	9	23
12	G16	28	7
13	H15	1	5
14	F13	28	11
15	H15	27	5
16	H16	4	5
17	G16	15	7
18	C13	19	23
19	F13	15	11
20	D16	19	19
21	D16	15	19
22	F13	19	11
23	C13	15	23
24	G16	19	7
25	H16	18	5
26	F40	23	27
27	H15	15	5
28	H40	20	37

JACK PIN LG

63017300 Rev. D

7H14

Entry Control  
Increment to X & Exchange Jump



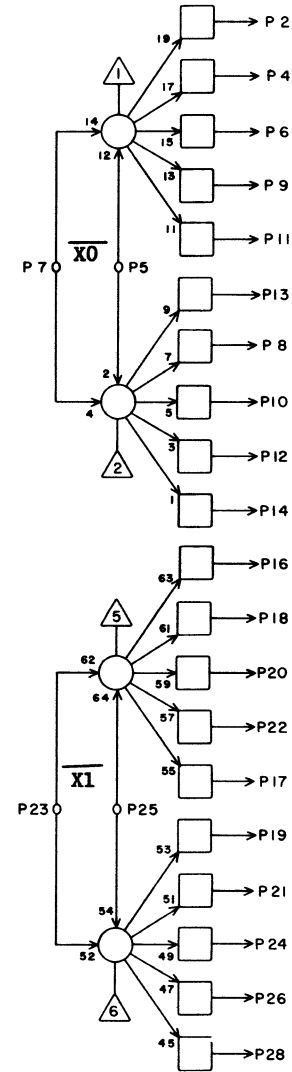
RC 7H 15

1	H14	13	5
2	F40	8	27
3	K19	4	15
4	A40	11	37
5	N17	28	37
6	K19	18	15
7	O17	28	31
8	L17	9	19
9	M17	28	23
10	M17	9	23
11	L17	28	19
12	O17	9	31
13	H14	1	5
14	N17	9	25
15	H14	27	5
16	K18	4	15
17	O17	19	29
18	L17	15	19
19	N17	19	25
20	M17	15	23
21	M17	19	23
22	N17	15	25
23	L17	19	19
24	O17	15	29
25	K18	18	15
26	F40	18	27
27	H14	15	5
28	A40	21	37

JACK PIN LG

63017300 Rev. D

Entry Control  
Increment to X



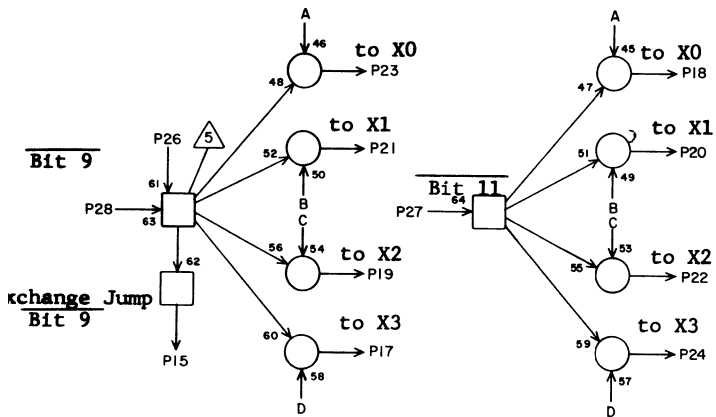
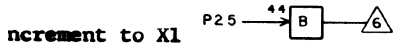
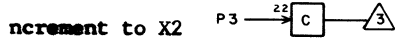
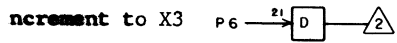
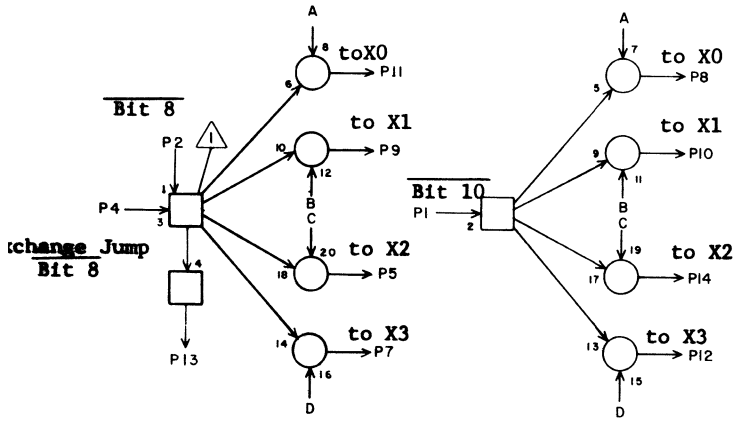
HC 7H 16

1			
2	H12	16	7
3			
4	H14	16	5
5	E20	25	15
6	H17	16	5
7	gnd		2
8	J14	16	11
9	H21	16	7
10	J16	16	11
11	H23	16	9
12	J18	16	11
13	J12	16	11
14			
15			
16	H12	25	7
17	H23	25	9
18	H14	25	5
19	J12	25	13
20	H17	25	5
21	J14	25	13
22	H21	25	7
23	gnd		2
24	J16	25	13
25	E21	25	15
26	J18	25	13
27			
28			

JACK PIN LG

63017300 Rev. D

Entry Control  
Increment to X & Exchange Jump



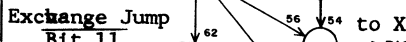
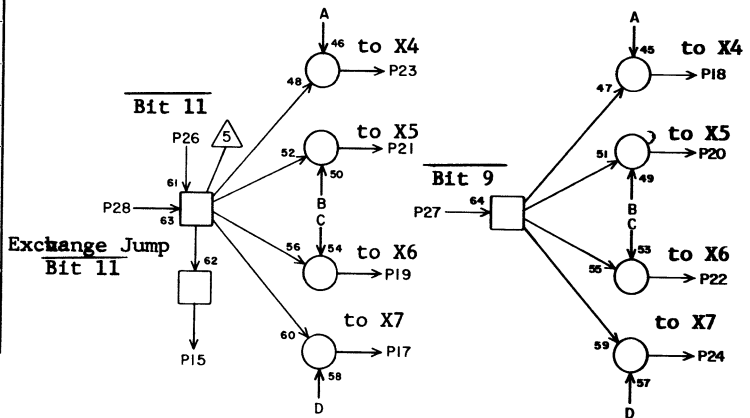
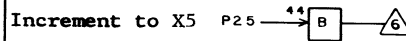
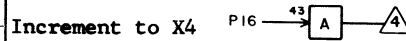
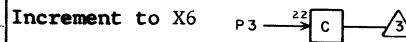
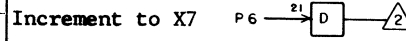
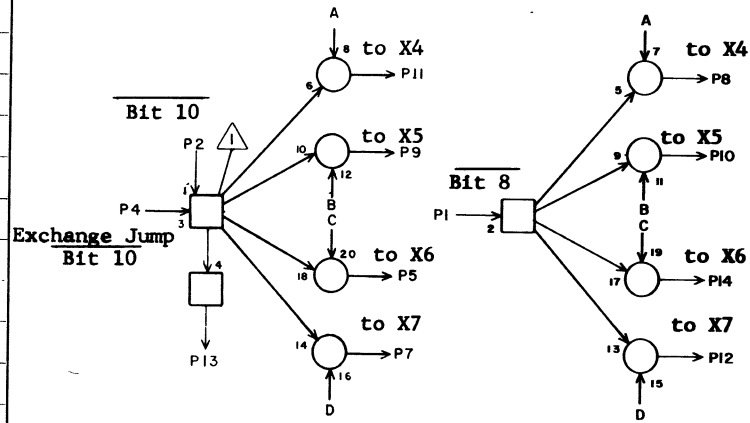
RC 7H 17

1	H18	13	5
2	F42	13	25
3	H20	6	5
4	A42	10	37
5	F14	9	11
6	H20	20	7
7	G17	9	7
8	C14	28	23
9	D17	9	19
10	D17	28	19
11	C14	9	23
12	G17	28	5
13	H18	1	5
14	F14	28	11
15	H18	27	5
16	H16	6	5
17	G17	15	7
18	C14	19	23
19	F14	15	11
20	D17	19	19
21	D17	15	19
22	F14	19	11
23	C14	15	23
24	G17	19	7
25	H16	20	5
26	F42	23	25
27	H18	15	5
28	A42	20	37

JACK PIN LG

63017300 Rev. D

Entry Control  
Increment to X & Exchange Jump



7H18

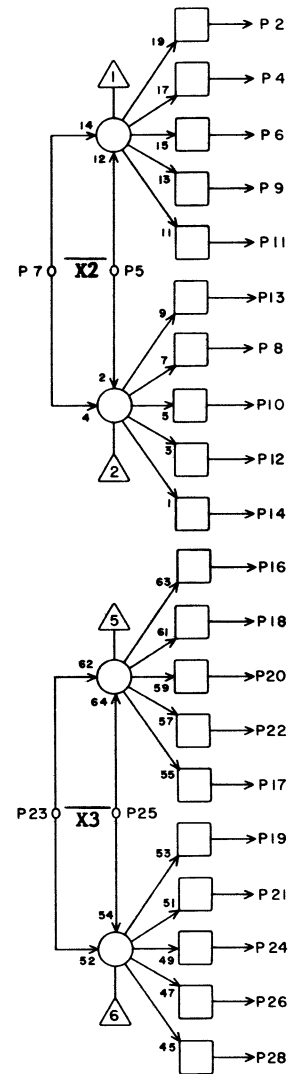
RC 7H 18

1	H17	13	5
2	F42	8	25
3	K19	6	15
4	A42	11	37
5	N18	28	27
6	K19	20	15
7	O18	28	29
8	L18	9	19
9	M18	28	23
10	M18	9	23
11	L18	28	19
12	O18	9	29
13	H17	1	5
14	N18	9	25
15	H17	27	5
16	K18	6	15
17	O18	19	29
18	L18	15	19
19	N18	19	25
20	M18	15	23
21	M18	19	23
22	N18	15	25
23	L18	19	19
24	O18	15	29
25	K18	20	15
26	F42	18	25
27	H17	15	5
28	A42	21	35

JACK PIN LG

63017300 Rev. D

Entry Control. Increment to X

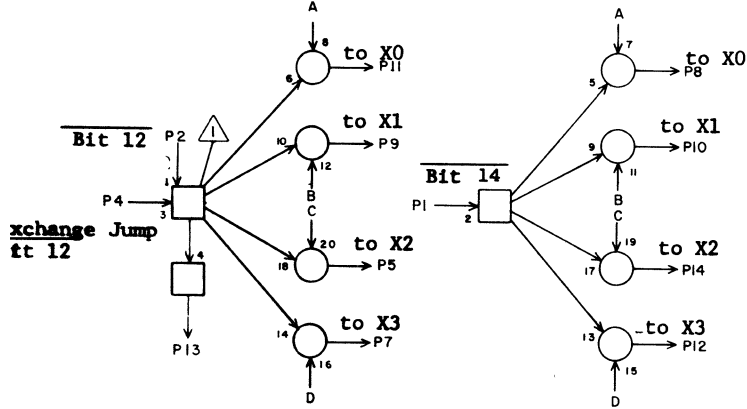


1			
2	H12	3	11
3			
4	H14	3	9
5	E22	25	13
6	H17	3	5
7	gnd		2
8	J14	3	13
9	H21	3	3
10	J16	3	11
11	H23	3	5
12	J18	3	11
13	J12	3	13
14			
15			
16	H12	6	11
17	H23	6	5
18	H14	6	9
19	J12	6	13
20	H17	6	7
21	J14	6	13
22	H21	6	5
23	gnd		2
24	J16	6	11
25	E23	25	15
26	J18	6	11
27			
28			

JACK PIN LG



Entry Control  
Increment to X & Exchange Jump

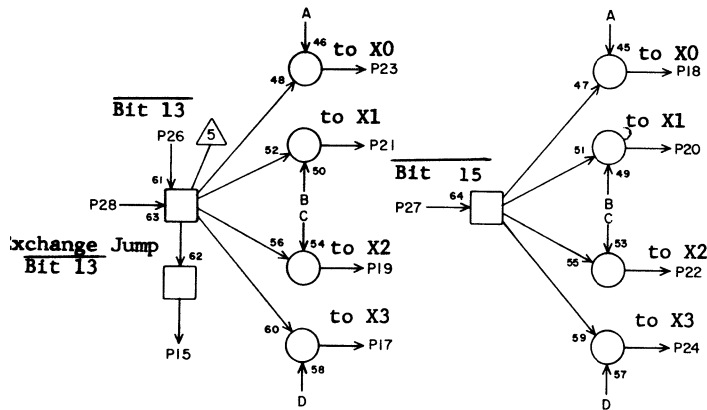


Increment to X3 P6 → 21 → D → 2

Increment to X2 P3 → 22 → C → 3

Increment to X0 P16 → 43 → A → 4

Increment to X1 P25 → 44 → B → 6



Increment to X3 P6 → 21 → D → 2

Increment to X2 P3 → 22 → C → 3

Increment to X0 P16 → 43 → A → 4

Increment to X1 P25 → 44 → B → 6

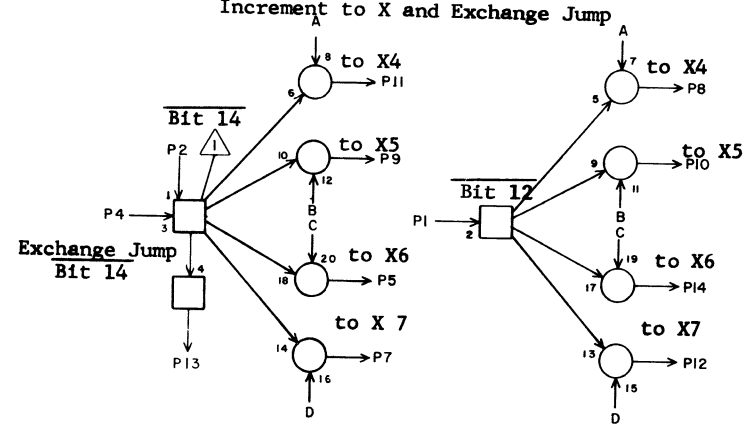
RC 7H 21

1	H22	13	5
2	G39	13	21
3	H20	9	3
4	B38	10	31
5	F15	9	13
6	H20	22	5
7	G20	9	7
8	C15	28	23
9	E12	9	17
10	E12	28	17
11	C15	9	23
12	G20	28	5
13	H22	1	5
14	F15	28	13
15	H22	27	5
16	H16	9	7
17	G20	15	7
18	C15	19	23
19	F15	15	13
20	E12	19	17
21	E12	15	17
22	F15	19	13
23	C15	15	23
24	G20	19	7
25	H16	22	7
26	G39	23	21
27	H22	15	5
28	B38	20	39

JACK PIN LG

63017300 Rev. D

Entry Control  
Increment to X and Exchange Jump

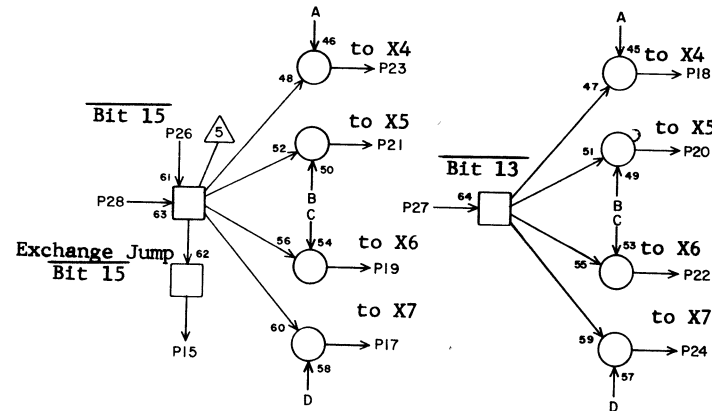


Increment to X7 P6 → 21 → D → 2

Increment to X6 P3 → 22 → C → 3

Increment to X4 P16 → 43 → A → 4

Increment to X5 P25 → 44 → B → 6



Increment to X3 P6 → 21 → D → 2

Increment to X2 P3 → 22 → C → 3

Increment to X0 P16 → 43 → A → 4

Increment to X1 P25 → 44 → B → 6

RC 7H 22

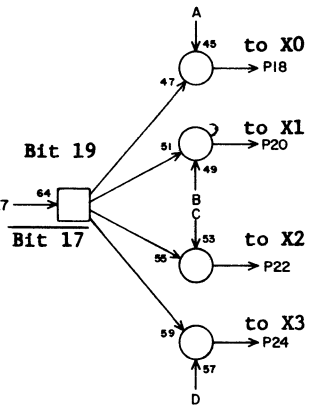
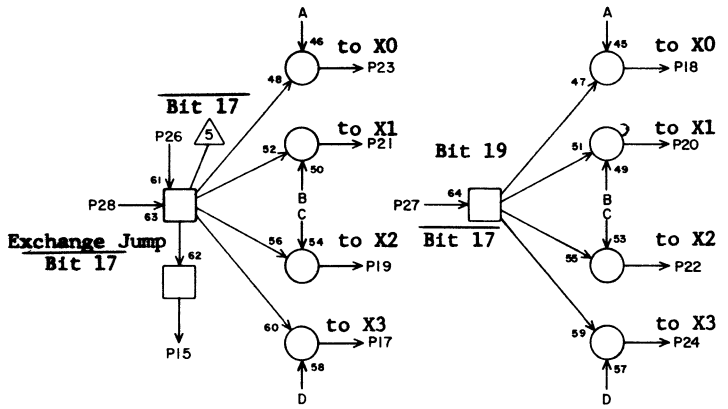
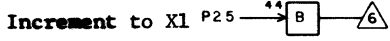
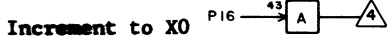
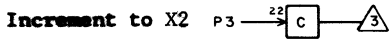
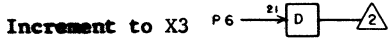
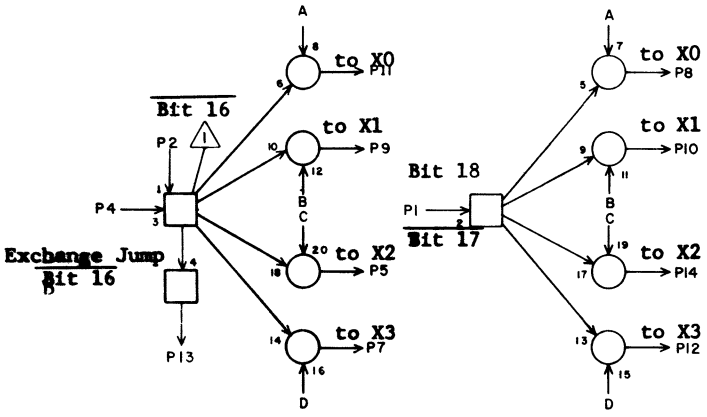
1	H21	13	5
2	G39	8	19
3	K19	9	15
4	B38	11	31
5	N19	28	27
6	K19	22	15
7	O19	28	29
8	L19	9	19
9	M19	28	23
10	M19	9	23
11	L19	28	19
12	O19	9	29
13	H21	1	5
14	N19	9	25
15	H21	27	5
16	K18	9	15
17	O19	19	29
18	L19	15	19
19	N19	19	25
20	M19	15	23
21	M19	19	23
22	N19	15	25
23	L19	19	19
24	O19	15	29
25	K18	22	15
26	G39	18	19
27	H21	15	5
28	B38	21	31

JACK PIN LG

63017300 Rev. D

7H22

Entry Control  
Increment to X & Exchange Jump



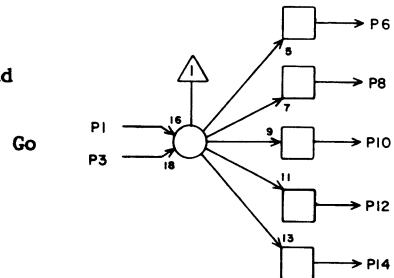
RC 7H 23

1	J11	13	17
2	G41	13	21
3	H20	11	5
4	B40	10	31
5	F16	9	13
6	H20	17	5
7	G21	9	7
8	C16	28	23
9	E13	9	19
10	E13	28	19
11	C16	9	23
12	G21	28	5
13	J11	1	17
14	F16	28	13
15	J11	27	17
16	H16	11	9
17	G21	15	7
18	C16	19	23
19	F16	15	13
20	E13	19	19
21	E13	15	19
22	F16	19	13
23	C16	15	23
24	G21	19	7
25	H16	17	9
26	G42	8	21
27	J11	15	17
28	B40	20	29

JACK PIN LG

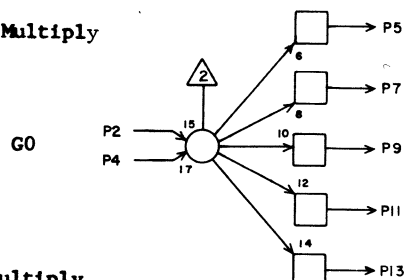
Exit Control  
X Registers

Xk to Add



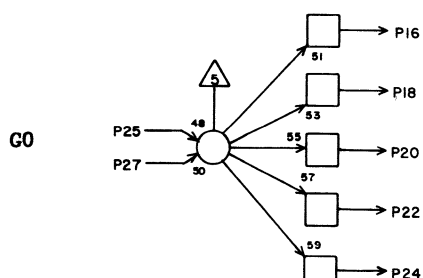
Go

Xk to Multiply



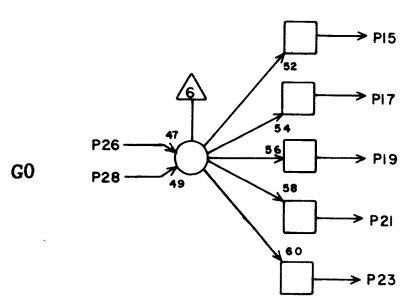
GO

Xj to Multiply



GO

Bk to Increment



GO

T D

7H 25

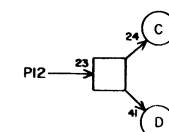
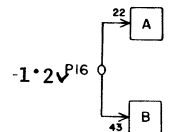
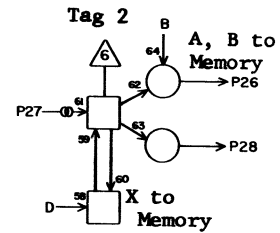
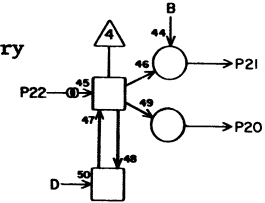
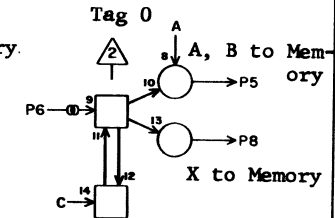
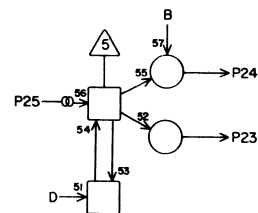
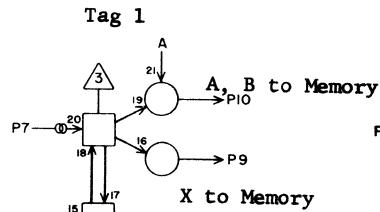
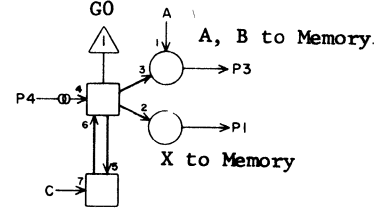
1	I26	9	9
2	I26	18	9
3	I13	6	15
4	I13	8	15
5	G35	3	13
6	O35	5	33
7	G35	14	13
8	O35	16	33
9	H35	3	13
10	P35	5	33
11	H35	14	13
12	P35	16	33
13			
14			
15	K24	3	13
16	I35	3	13
17	K24	4	13
18	I35	14	13
19	K24	12	13
20	J35	3	15
21	K24	17	13
22	J35	14	15
23			
24			
25	I27	1	7
26	L34	18	19
27	I13	10	15
28	I13	12	15

JACK PIN LG

63017300 Rev. D

Exit Control

X, A, B to Memory



7H26

IT

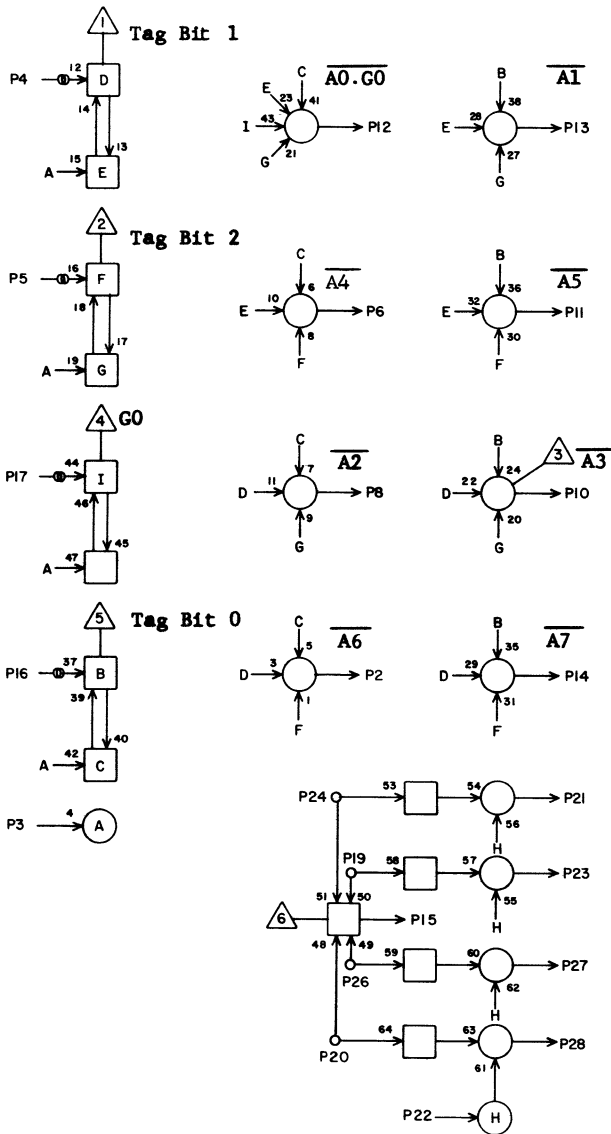
7H 26

1	K24	21	17
2			
3	E30	12	180
4	W20	904	
5	K25	28	17
6	W20	905	
7	W20	906	
8	K 6	1	23
9	K13	6	19
10	K21	6	15
11			
12	K24	20	17
13			
14			
15			
16	H37	5	13
17			
18			
19			
20			
21			
22			
23			
24			
25			
26	K21	8	15
27	W20	907	
28	K13	8	19

JACK PIN LG

63017300 Rev. F

Entry Control  
Increment to A



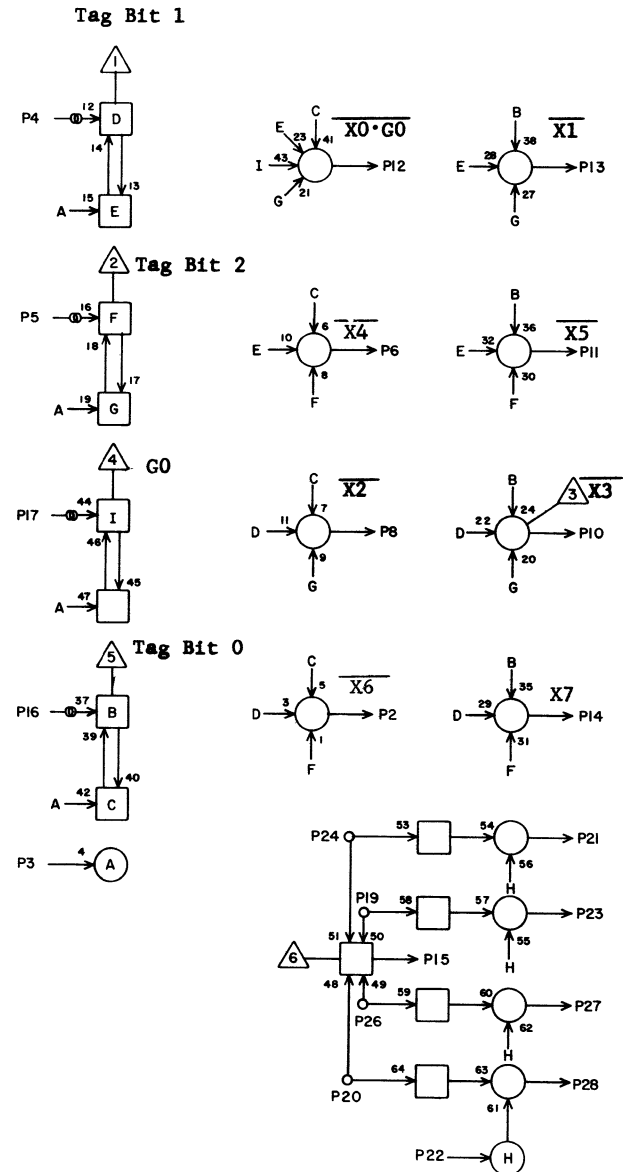
RB 7H 27

1			
2	D20	27	19
3	I14	10	15
4	W17	902	
5	W17	903	
6	C24	27	21
7			
8	C22	27	21
9			
10	C23	27	21
11	C25	27	21
12	C20	27	21
13	C21	27	21
14	D21	27	19
15			
16	W17	901	
17	W17	900	
18			
19			
20			
21			
22			
23			
24			
25			
26			
27			
28			

JACK PIN LG

63017300 Rev. D

Entry Control  
Increment to X



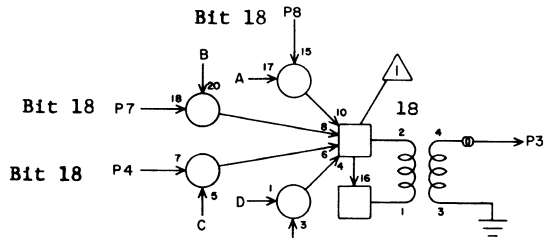
RB 7H 28

1			
2	J22	22	13
3	I14	8	17
4	W16	93	
5	W16	94	
6	J20	22	5
7			
8	E22	22	15
9			
10	E23	22	15
11	J21	22	13
12	E20	22	15
13	E21	22	15
14	J23	22	13
15			
16	W16	92	
17	W16	91	
18			
19			
20			
21			
22			
23			
24			
25			
26			
27			
28			

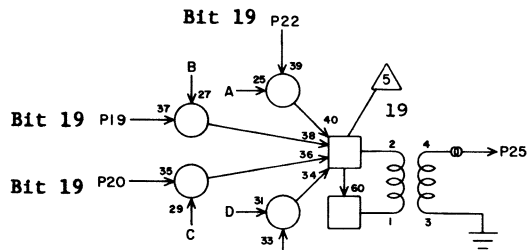
JACK PIN LG

63017300 Rev. D

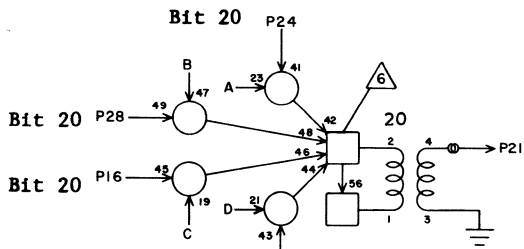
Exit Control: Trunk  
Xk to Multiply



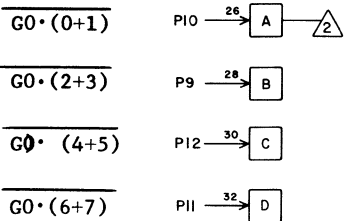
Bit 18 P2



Bit 19 P17



Bit 20 P26

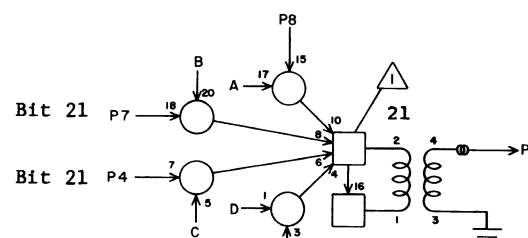


RG 7H 29

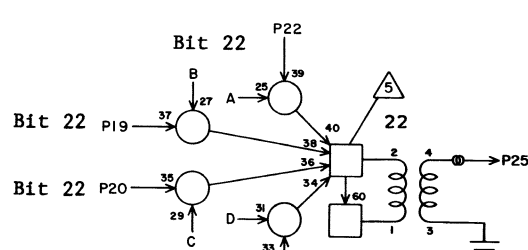
1			
2	P 6	14	39
3	W15	90	
4	M 7	14	31
5			
6			
7	I 1	25	27
8	D 1	25	31
9	G35	18	9
10	G35	13	11
11	H35	18	9
12	H35	13	9
13			
14			
15			
16	M 9	14	27
17	P 7	14	37
18			
19	I 2	25	27
20	M 8	14	27
21	W15	92	
22	D 2	25	29
23			
24	D 3	25	29
25	W15	91	
26	P 8	14	37
27			
28	I 3	25	25

JACK PIN LG

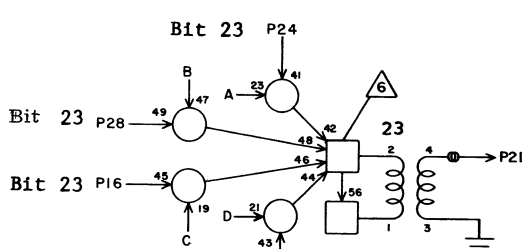
Exit Control: Trunk  
Xk to Multiply



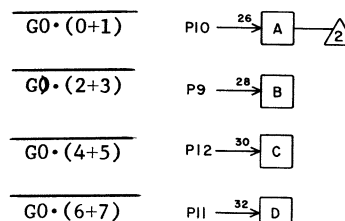
Bit 21 P2



Bit 22 P17



Bit 23 P26

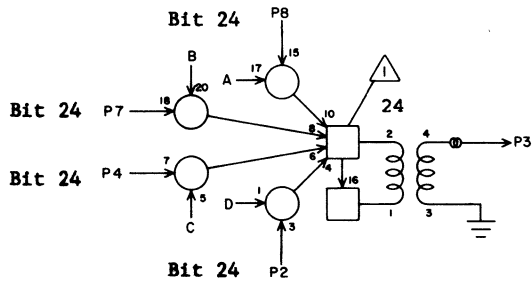


RG 7H 30

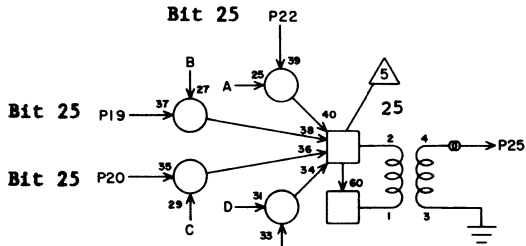
1			
2	P 9	14	37
3	W15	93	
4	M10	14	29
5			
6			
7	I 4	25	25
8	D 4	25	31
9	G35	28	11
10	G35	1	11
11	H35	28	7
12	H35	1	9
13			
14			
15			
16	M12	14	29
17	P10	14	37
18			
19	I 5	25	25
20	M11	14	29
21	W15	95	
22	D 5	25	29
23			
24	D 6	25	29
25	W15	94	
26	P11	14	37
27			
28	I 6	25	25

JACK PIN LG

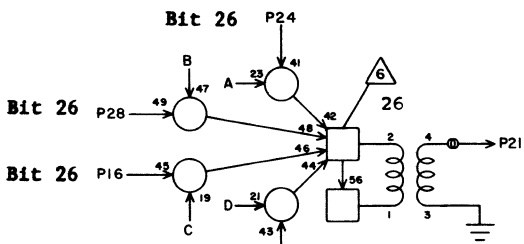
Exit Control: Trunk  
Xk to Multiply



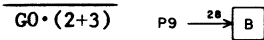
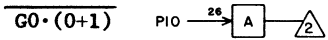
Bit 24 P2



Bit 25 P17



Bit 26 P26



RG

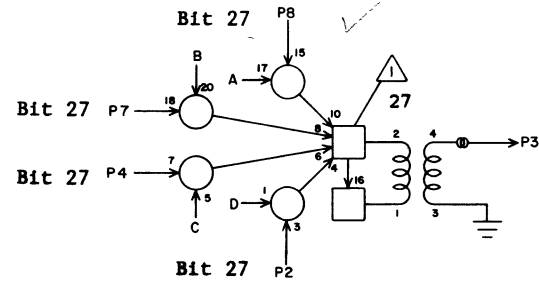
7H 31

1			
2	P12	14	37
3	W15	96	
4	N 1	25	39
5			
6			
7	I 7	25	25
8	D 7	25	29
9	G35	21	9
10	G35	8	9
11	H35	21	7
12	H35	8	7
13			
14			
15			
16	N 3	25	35
17	P13	14	37
18			
19	I 8	25	23
20	N 2	25	35
21	W15	98	
22	D 8	25	29
23			
24	D 9	25	29
25	W15	97	
26	Q 1	25	43
27			
28	I 9	25	23

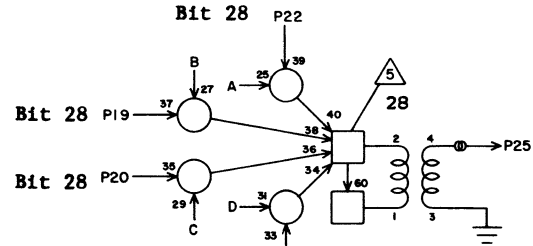
JACK PIN LG

63017300 Rev. D

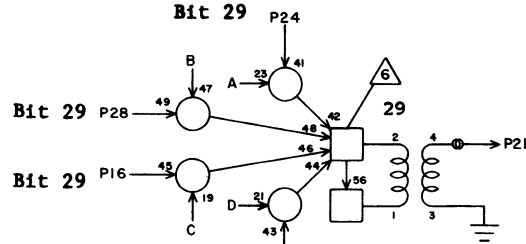
Exit Control: Trunk  
Xk to Multiply



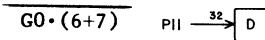
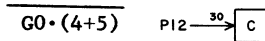
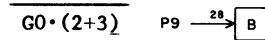
Bit 27 P2



Bit 28 P17



Bit 29 P26



RG

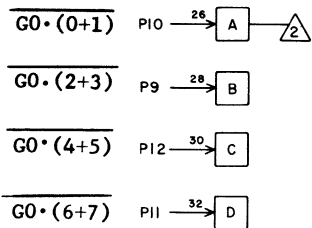
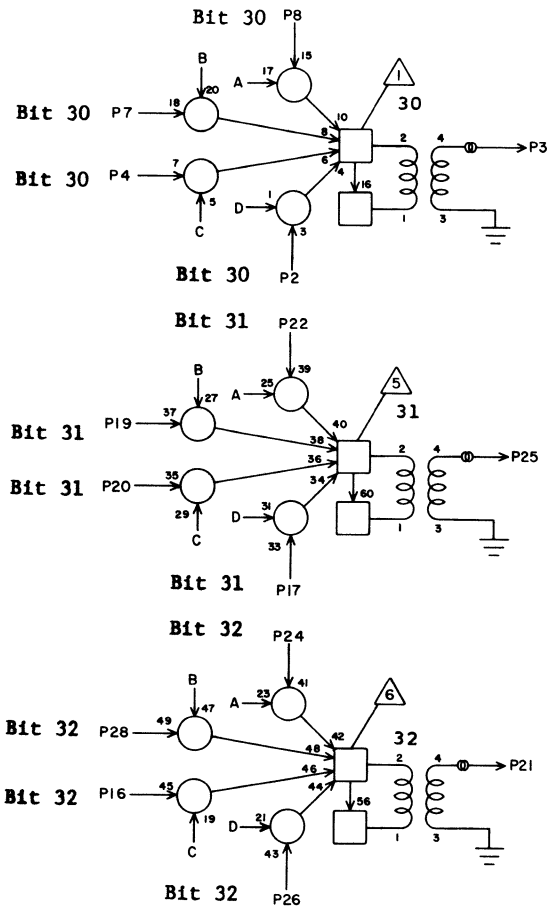
7H 32

1			
2	Q 2	25	45
3	W15	99	
4	N 4	25	37
5			
6			
7	J 1	14	33
8	E 1	14	31
9	G35	19	9
10	G35	10	9
11	H35	10	5
12	H35	10	5
13			
14			
15			
16	N 6	25	35
17	Q 3	25	45
18			
19	J 2	14	33
20	N 5	25	35
21	W15	901	
22	E 2	14	31
23			
24	E 3	14	31
25	W15	900	
26	Q 4	25	43
27			
28	J 3	14	29

JACK PIN LG

63017300 Rev. D

Exit Control: Trunk  
Xk to Multiply

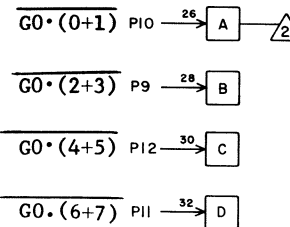
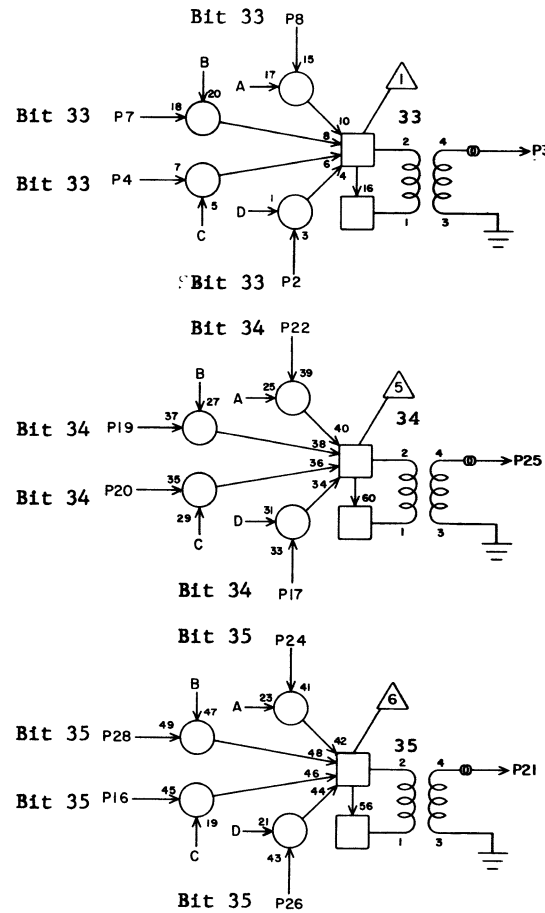


RG 7H 33

1			
2	Q 5	25	43
3	W15	902	
4	N 7	14	35
5			
6			
7	J 4	14	29
8	E 4	14	31
9	G35	17	7
10	G35	12	7
11	H35	17	5
12	H35	12	5
13			
14			
15			
16	N 9	14	33
17	Q 6	14	43
18			
19	J 5	14	29
20	N 8	14	33
21	W15	904	
22	E 5	14	31
23			
24	E 6	14	31
25	W15	903	
26	Q 7	14	43
27			
28	J 6	14	29

JACK PIN LG

Exit Control: Trunk  
Xk to Multiply



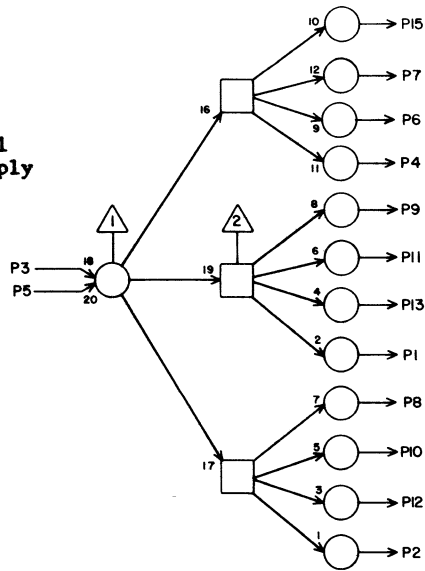
RG 7H 34

1			
2	Q 8	14	43
3	W15	905	
4	N10	14	35
5			
6			
7	J 7	14	27
8	E 7	14	31
9	G35	27	9
10	G35	2	9
11	H35	27	5
12	H35	2	5
13			
14			
15			
16	N12	14	33
17	Q 9	14	43
18			
19	J 8	14	27
20	N11	14	33
21	W15	907	
22	E 8	14	31
23			
24	E 9	14	27
25	W15	906	
26	Q10	14	45
27			
28	J 9	14	25

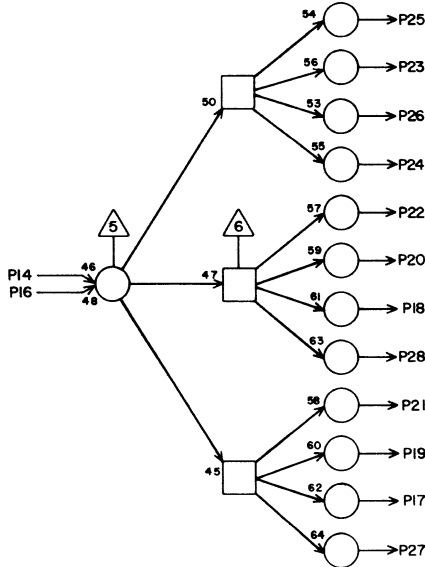
JACK PIN LG

**Exit Control  
Xk to Multiply**

**GO**  
4+5



**GO**  
6+7



TC 7H 35

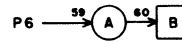
1	H30	12	9
2	H34	12	5
3	H25	9	13
4	G32	12	9
5	I36	9	9
6	G31	12	9
7	G30	12	11
8	H31	12	7
9	G33	12	9
10	H32	12	5
11	G34	12	9
12	H33	12	5
13	H29	12	9
14	H25	11	13
15	G29	12	11
16	I36	12	9
17	H33	11	5
18	H29	11	9
19	H32	11	5
20	G34	11	9
21	H31	11	7
22	G33	11	9
23	G30	11	11
24	G32	11	9
25	G29	11	11
26	G31	11	9
27	H34	11	5
28	H30	11	7

JACK PIN LG

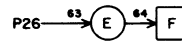
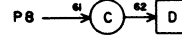
63017300 Rev. D

**Exit Control  
Xj to Multiply**

**Tag Bit 1**



**Tag Bit 2**

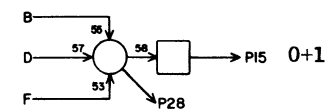
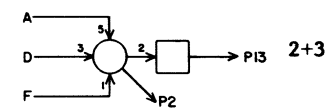
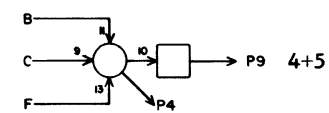
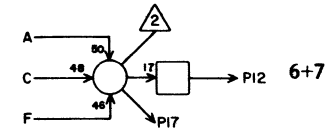
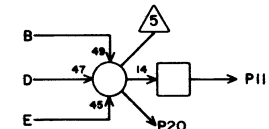
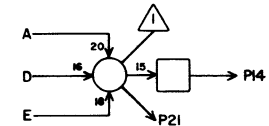
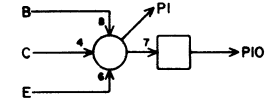
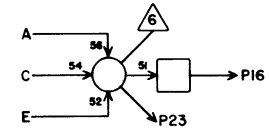


IV 7H36

1			
2			
3			
4			
5			
6	I27	17	13
7			
8	I27	27	13
9	J35	5	11
10			
11			
12	J35	16	11
13	I35	16	7
14			
15	I35	5	5
16			
17			
18			
19			
20			
21			
22			
23			
24			
25			
26	GND		2
27			
28			

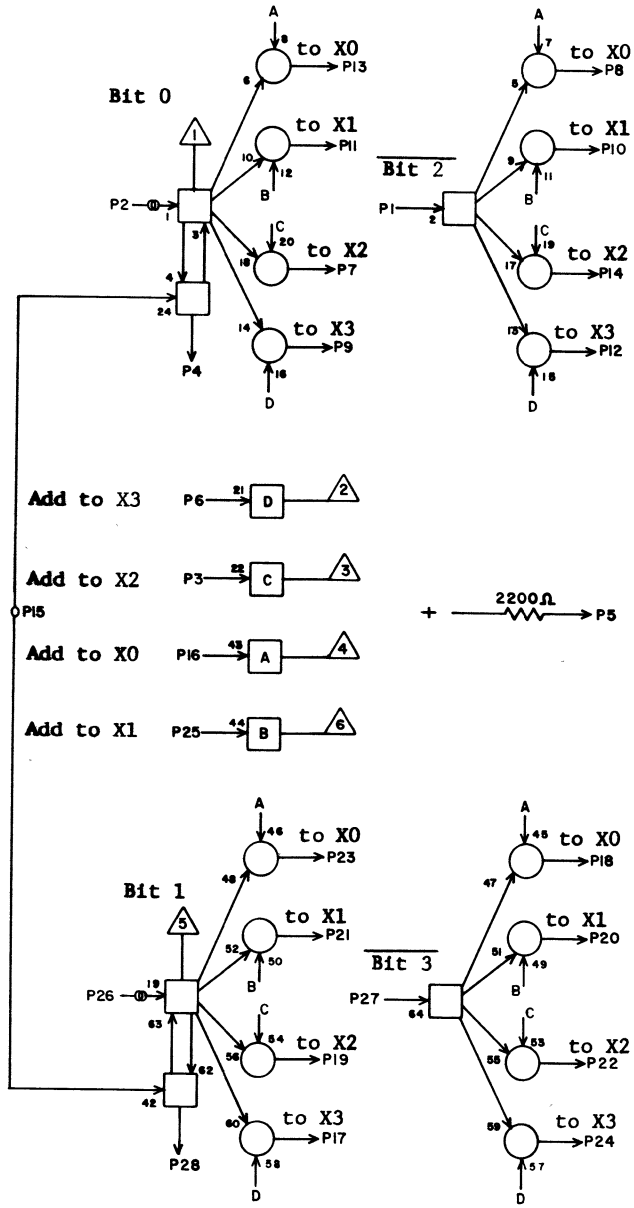
JACK PIN LG

63017300 Rev. K



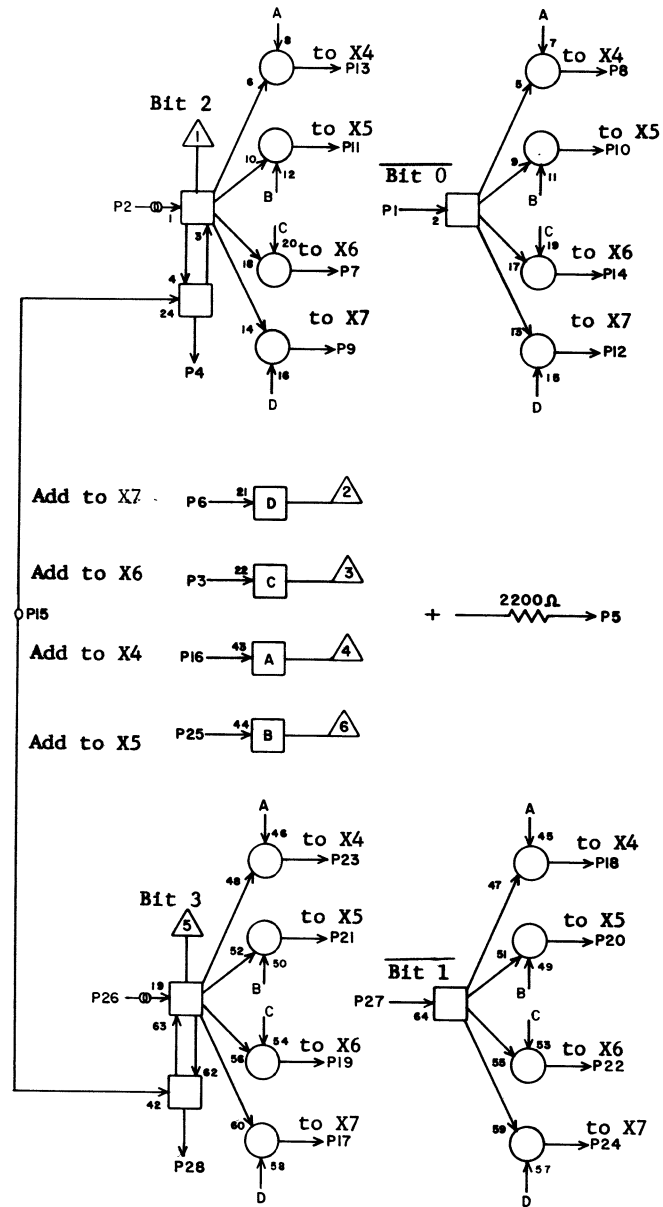


Entry Control: Trunk  
Add to X



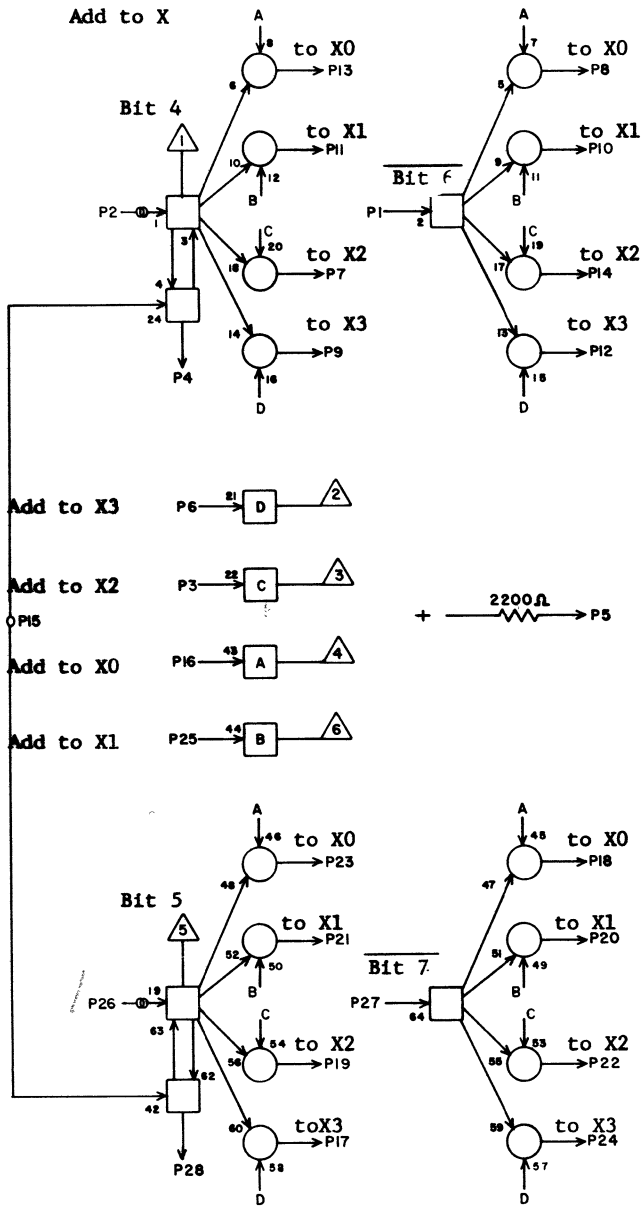
RA		7H 37	
1	H38	4	3
2	W26	90	
3	I39	2	7
4	H38	1	3
5	H26	16	13
6	I39	16	7
7	F12	3	27
8	C12	24	33
9	G15	3	23
10	D15	24	27
11	D15	3	29
12	G15	24	23
13	C12	3	31
14	F12	24	27
15	I40	15	7
16	I38	2	5
17	G15	17	23
18	C12	21	33
19	F12	17	27
20	D15	21	27
21	D15	17	29
22	F12	21	27
23	C12	17	33
24	G15	21	23
25	I38	16	7
26	W26	91	
27	H38	28	3
28	H38	27	3
	JACK	PIN	LG

Entry Control: Trunk  
Add to X



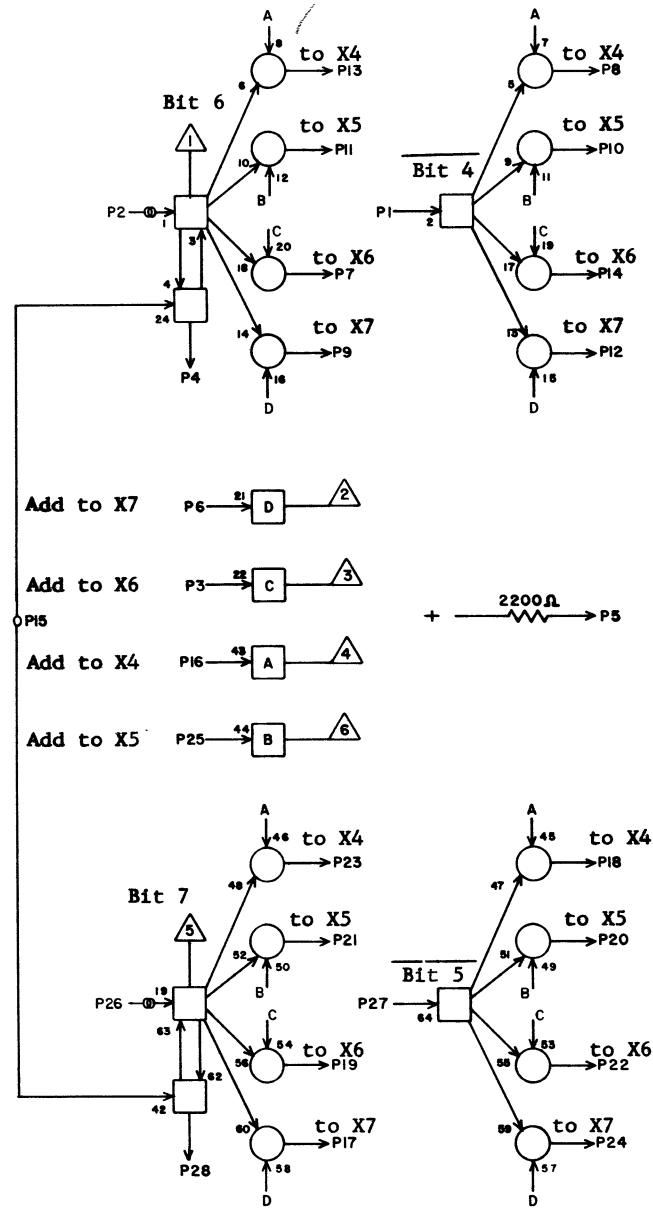
RA		7H 38	
1	H37	4	3
2	W26	92	
3	I42	2	9
4	H37	1	3
5			
6	I42	16	9
7	N16	24	33
8	L16	3	27
9	O16	24	37
10	M16	3	29
11	M16	24	29
12	O16	3	35
13	L16	24	27
14	N16	3	33
15	I40	7	5
16	I41	2	7
17	O16	21	35
18	L16	17	27
19	N16	21	33
20	M16	17	29
21	M16	21	29
22	N16	17	33
23	L16	21	27
24	O16	17	33
25	I41	16	7
26	W26	93	
27	H37	28	3
28	H37	27	3
	JACK	PIN	LG

Entry Control: Trunk



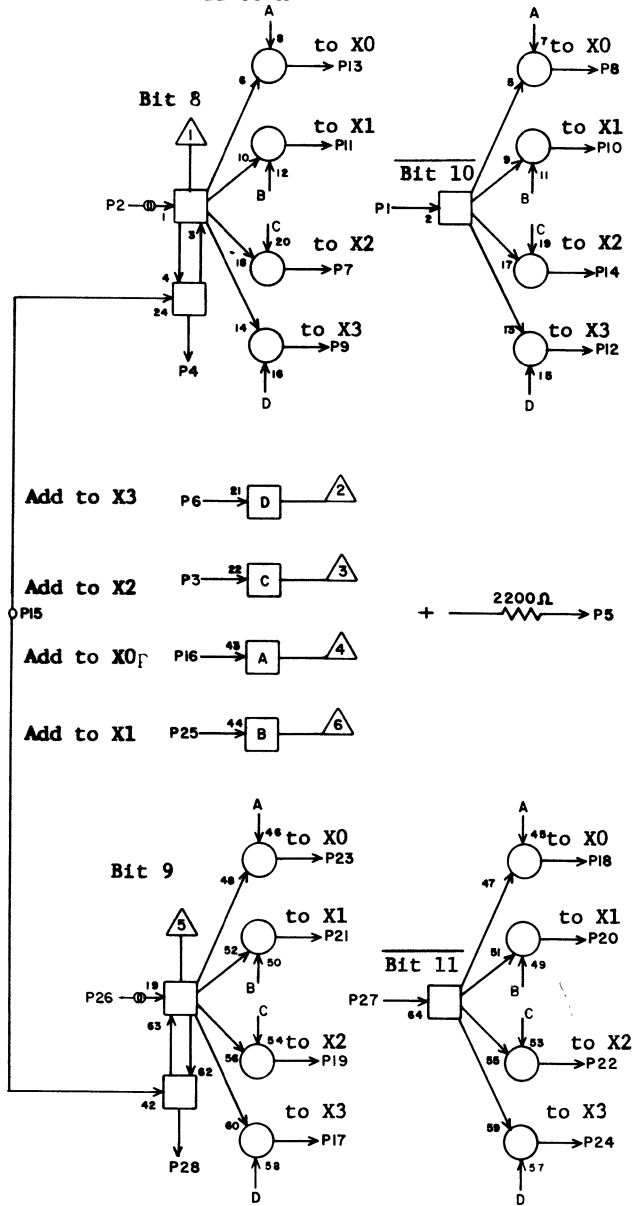
RA		7H 39	
1	H40	4	3
2	W26	94	
3	I39	4	7
4	H40	1	3
5			
6	I39	18	7
7	F13	3	27
8	C13	24	33
9	G16	3	23
10	D16	24	27
11	D16	3	27
12	G16	24	23
13	C13	3	33
14	F13	24	27
15	I40	6	5
16	I38	4	7
17	G16	17	23
18	C13	21	33
19	F13	17	27
20	D16	21	27
21	D16	17	27
22	F13	21	27
23	C13	17	33
24	G16	21	23
25	I38	18	7
26	W26	95	
27	H40	28	3
28	H40	27	3
	JACK	PIN	LG

Entry Control: Trunk  
Add to X



RA		7H 40	
1	H39	4	3
2	W26	96	
3	I42	4	7
4	H39	1	3
5			
6	I42	18	7
7	N17	24	33
8	L17	3	27
9	O17	24	37
10	M17	3	29
11	M17	24	31
12	O17	3	37
13	L17	24	27
14	N17	3	33
15	I40	4	5
16	I41	4	5
17	O 17	21	37
18	L17	17	27
19	N17	21	33
20	M17	17	31
21	M17	21	31
22	N17	17	33
23	L17	21	27
24	O17	17	35
25	I41	18	7
26	W26	97	
27	H39	28	3
28	H39	27	3
	JACK	PIN	LG

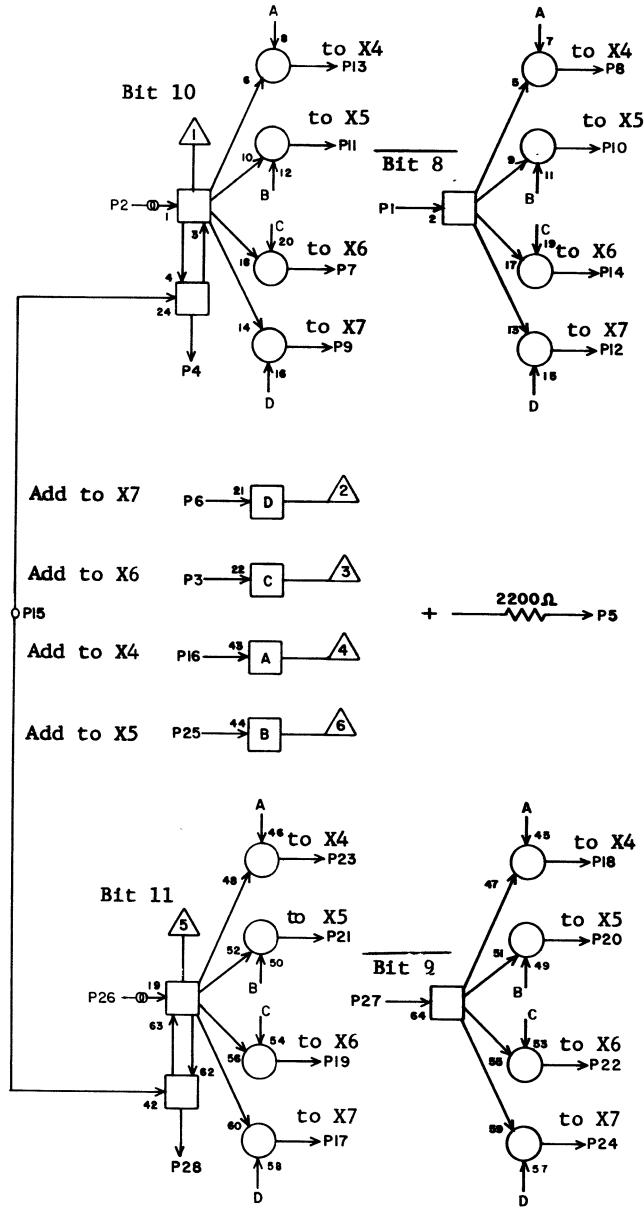
Entry Control: Trunk  
Add to X



RA 7H 41

1	H42	4	3
2	W26	98	
3	I39	6	7
4	H42	1	3
5			
6	I39	20	7
7	F14	3	27
8	C14	24	33
9	G17	3	25
10	D17	24	29
11	D17	3	29
12	G17	24	25
13	C14	3	33
14	F14	24	27
15	I40	9	7
16	I38	6	7
17	G17	17	25
18	C14	21	33
19	F14	17	27
20	D17	21	29
21	D17	17	29
22	F14	21	27
23	C14	17	33
24	G17	21	25
25	I38	20	7
26	W2E	99	
27	H42	28	3
28	H42	27	3
	JACK	PIN	LG

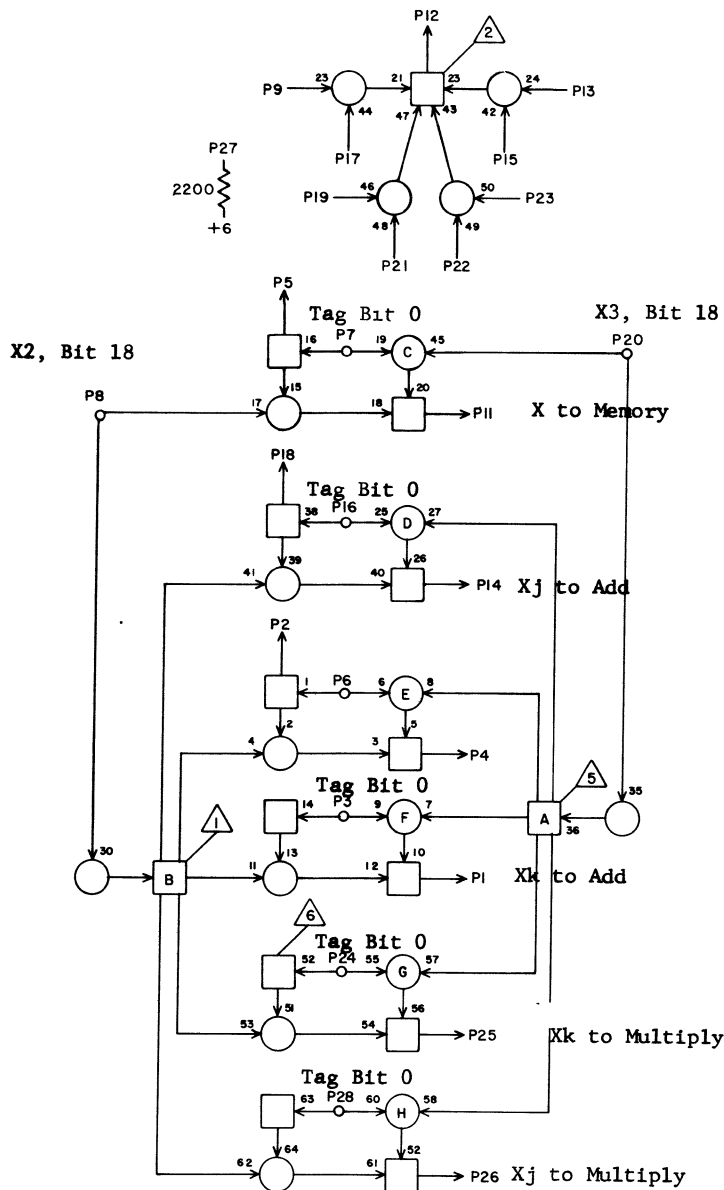
Entry Control: Trunk  
Add to X



RA 7H 42

1	H41	4	3
2	W26	900	
3	I42	6	7
4	H41	1	3
5	G41	6	7
6	I42	20	7
7	N18	24	33
8	L18	3	29
9	O18	24	35
10	M18	3	29
11	M18	24	31
12	C18	3	35
13	L18	24	29
14	N18	3	33
15	I40	11	7
16	I41	6	7
17	O18	21	35
18	L18	17	29
19	N18	21	33
20	M18	17	29
21	M18	21	31
22	N18	17	33
23	L18	21	29
24	O18	17	35
25	I41	20	7
26	W26	901	
27	H41	28	3
28	H41	27	3
	JACK	PIN	LG

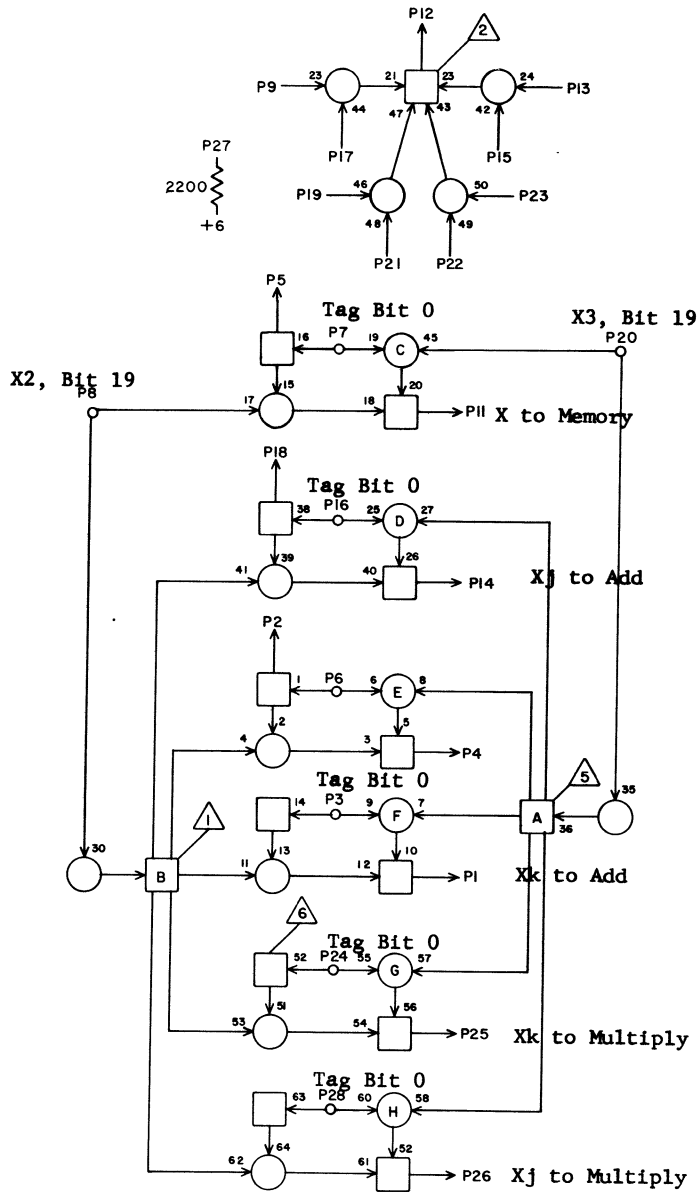
Exit Control: X Registers



RF		7I 1	
1	N37	4	39
2	J 1	28	9
3	J 1	5	7
4			
5	J 1	3	7
6			
7	F 2	6	15
8	F16	26	19
9			
10			
11	D 1	19	21
12			
13			
14	M 7	19	21
15			
16	F 3	24	15
17			
18	J 1	24	7
19			
20	G21	26	23
21			
22			
23			
24	J 1	18	5
25	H29	7	27
26	J29	7	27
27			
28	J 1	2	3

JACK PIN LG

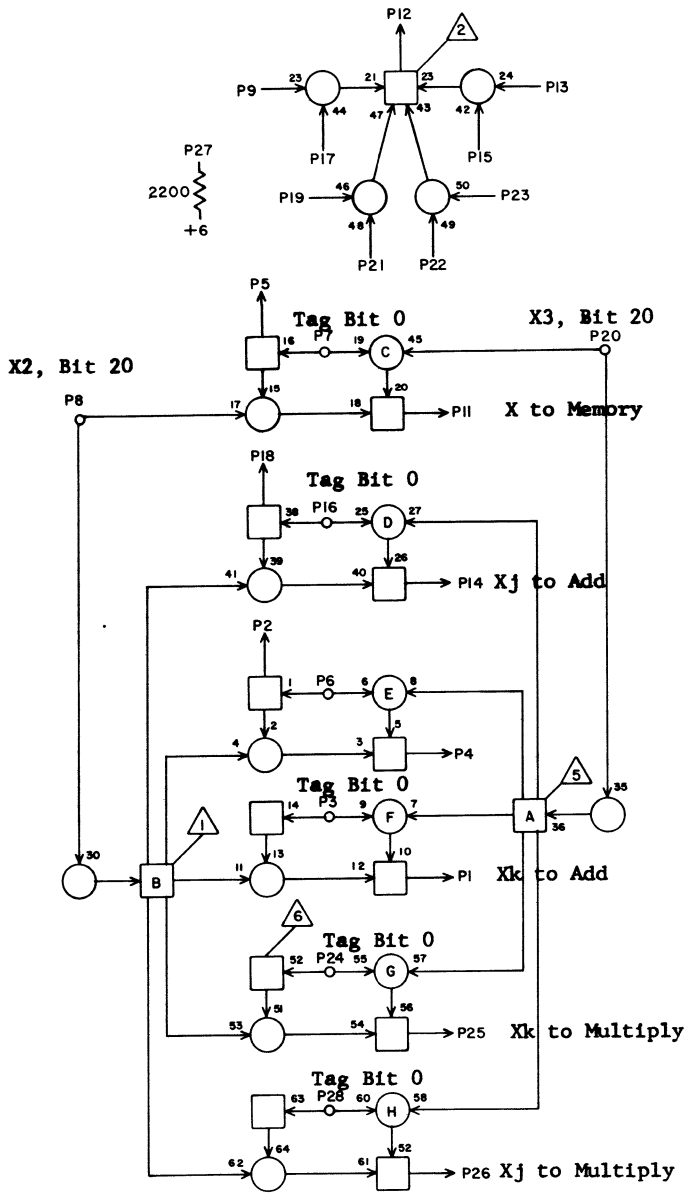
Exit Control: X Registers



RF		7I 2	
1	N37	20	39
2	J 2	28	9
3	J 2	5	7
4			
5	J 2	3	7
6			
7	F 2	4	15
8	F16	27	19
9			
10			
11	D 2	19	21
12			
13			
14	M 8	19	21
15			
16	F 3	22	15
17			
18	J 2	24	7
19			
20	G21	27	23
21			
22			
23			
24	J 2	18	5
25	H29	19	27
26	J29	19	27
27			
28	J 2	2	3

JACK PIN LG

Exit Control: X Registers

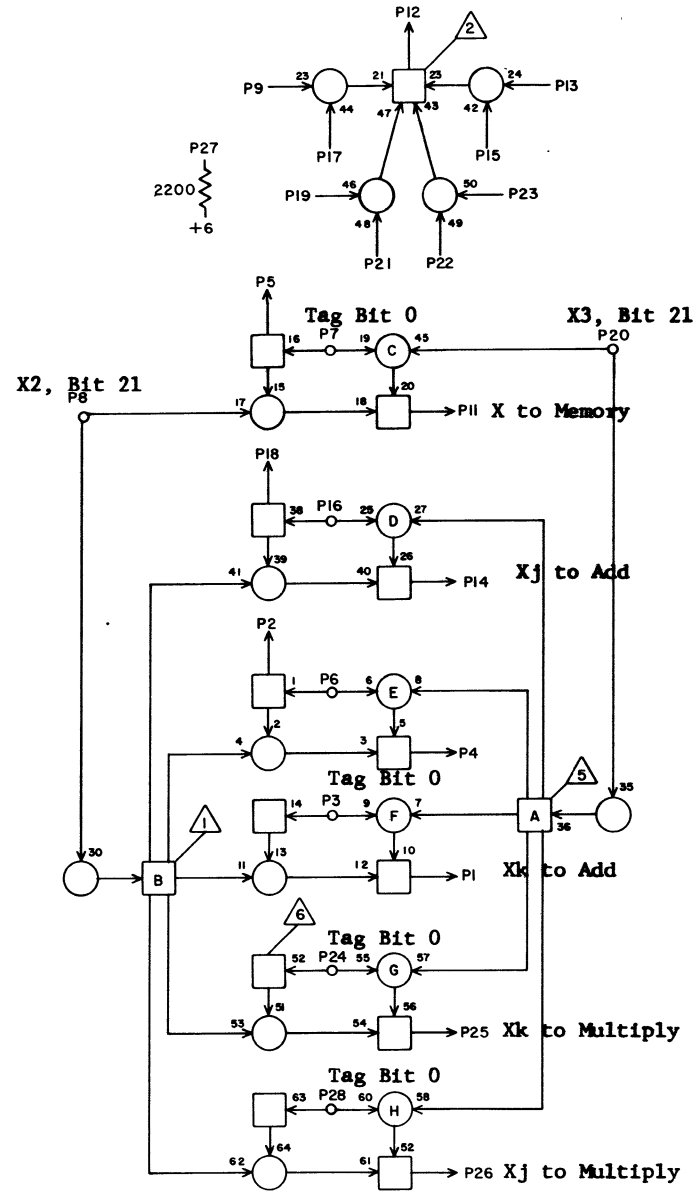


RF	7I 3		
1	N37	16	37
2	J 3	28	9
3	J 3	5	7
4			
5	J 3	3	7
6			
7	F 2	9	15
8	F17	11	19
9			
10			
11	D 3	19	21
12			
13			
14	M 9	19	21
15			
16	F 3	20	15
17			
18	J 3	24	7
19			
20	G22	11	23
21			
22			
23			
24	J 3	18	5
25	H29	28	25
26	J29	28	25
27			
28	J 3	2	3

JACK PIN LG

63017300 Rev. D

Exit Control: X Registers

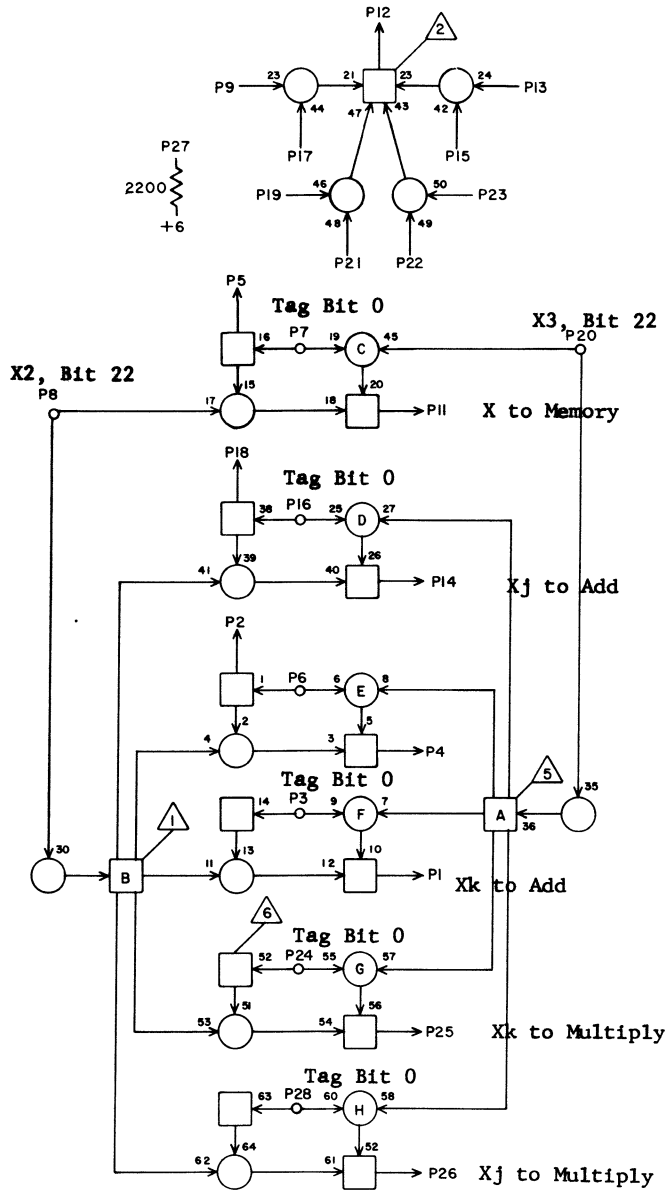


RF	7I 4		
1	N38	4	37
2	J 4	28	9
3	J 4	5	7
4			
5	J 4	3	7
6			
7	F 2	11	15
8	F17	16	19
9			
10			
11	D 4	19	21
12			
13			
14	M10	19	21
15			
16	F 3	18	15
17			
18	J 4	24	7
19			
20	G22	16	21
21			
22			
23			
24	J 4	18	5
25	H30	7	25
26	J30	7	25
27			
28	J 4	2	3

JACK PIN LG

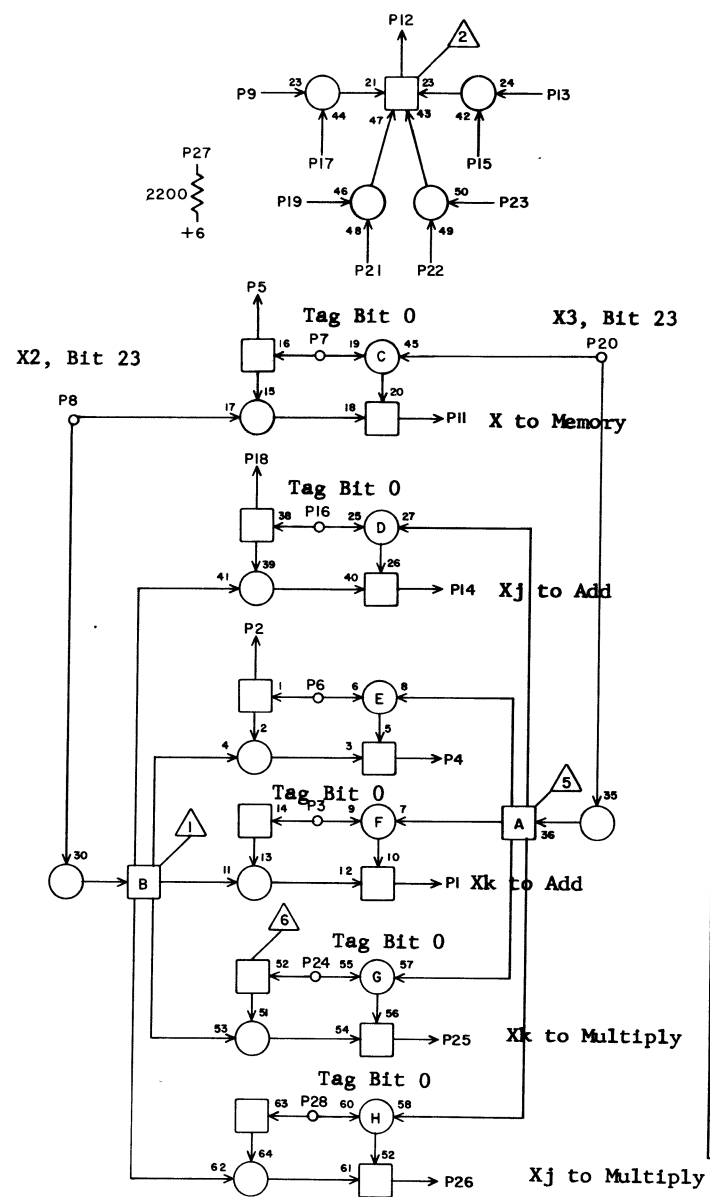
63017300 Rev. D

ExitControl: X Registers



RF 7 I 5			
JACK	PIN	LG	
1	N38	20	37
2	J 5	28	9
3	J 5	5	7
4			
5	J 5	3	7
6			
7	F 2	13	15
8	F 17	26	17
9			
10			
11	D 5	19	21
12			
13			
14	M 11	19	21
15			
16	F 3	28	15
17			
18	J 5	24	7
19			
20	G 22	26	21
21			
22			
23			
24	J 5	18	5
25	H 30	19	25
26	J 30	19	25
27			
28	J 5	2	3

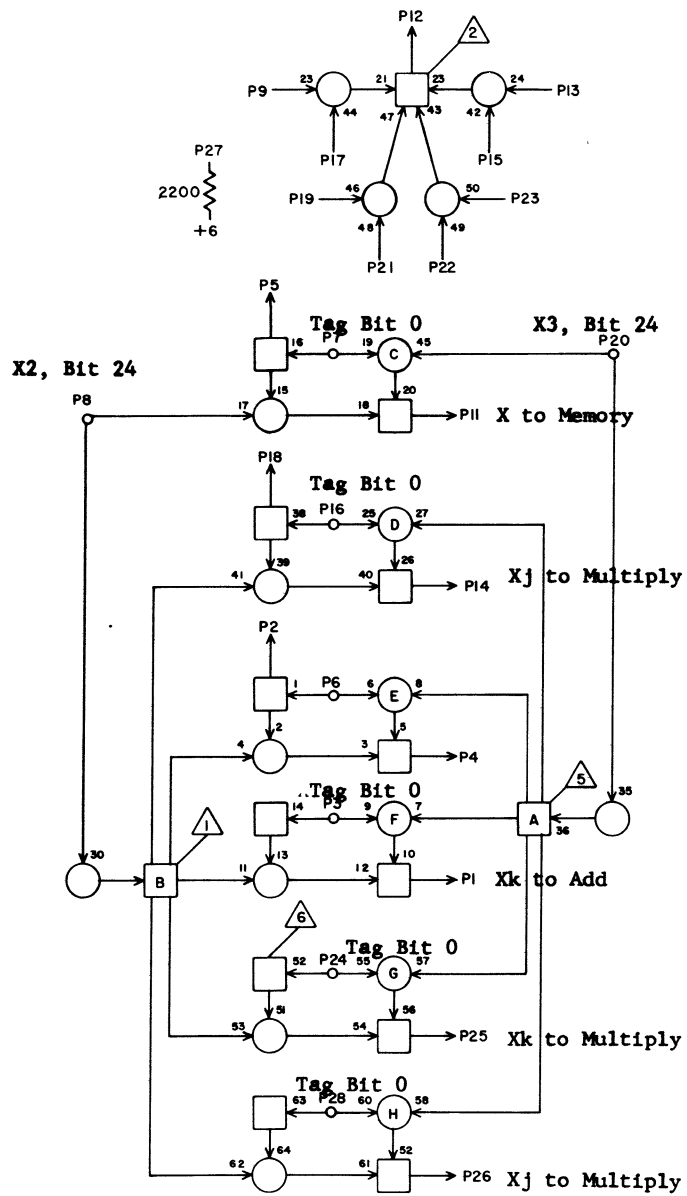
Exit Control: X Registers



RF 7 I 6			
JACK	PIN	LG	
1	N38	16	37
2	J 6	28	9
3	J 6	5	7
4			
5	J 6	3	7
6			
7	F 2	1	15
8	F 17	27	17
9			
10			
11	D 6	19	21
12			
13			
14	M 12	19	21
15			
16	F 3	21	15
17			
18	J 6	24	7
19			
20	G 22	27	21
21			
22			
23			
24	J 6	18	5
25	H 30	28	25
26	J 30	28	25
27			
28	J 6	2	3

Exit Control: X Registers

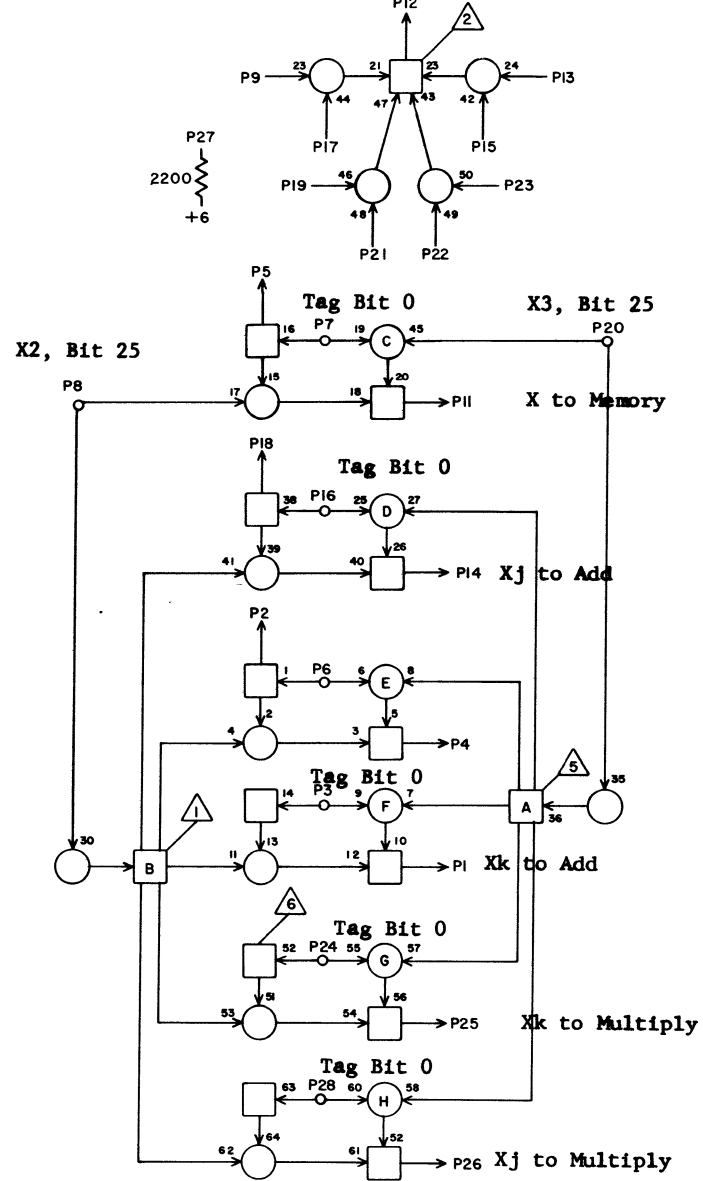
RF 7 I 7



	JACK	PIN	LG
1	N39	4	37
2	J 7	28	9
3	J 7	5	7
4			
5	J 7	3	7
6			
7	F 2	8	17
8	G12	11	13
9			
10			
11	D 7	19	21
12			
13			
14	N 1	19	23
15			
16	F 3	19	15
17			
18	J 7	24	7
19			
20	G23	11	21
21			
22			
23			
24	J 7	18	5
25	H31	7	25
26	J31	7	25
27			
28	J 7	2	3

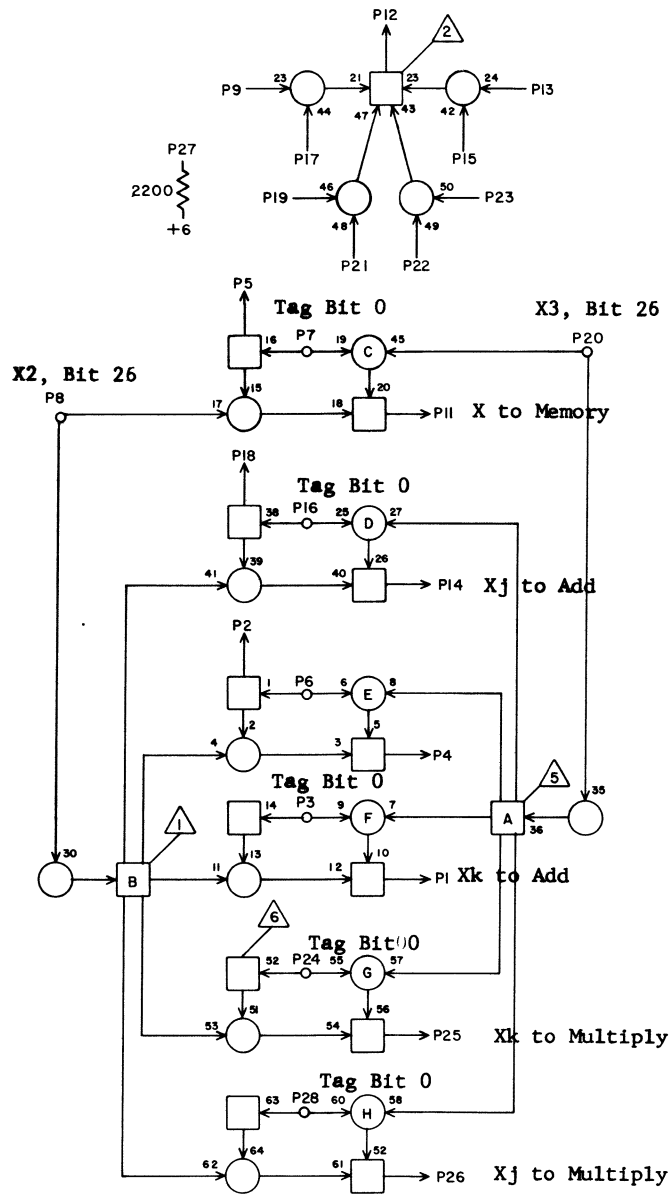
Exit Control: X Registers

RF 7 I 8



	JACK	PIN	LG
1	N39	20	37
2	J 8	28	9
3	J 8	5	7
4			
5	J 8	3	7
6			
7	F 2	10	15
8	G12	16	11
9			
10			
11	D 8	19	21
12			
13			
14	N 2	19	23
15			
16	F 3	17	15
17			
18	J 8	24	7
19			
20	G23	16	21
21			
22			
23			
24	J 8	18	5
25	H31	19	23
26	J31	19	23
27			
28	J 8	2	3

Exit Control: X Registers

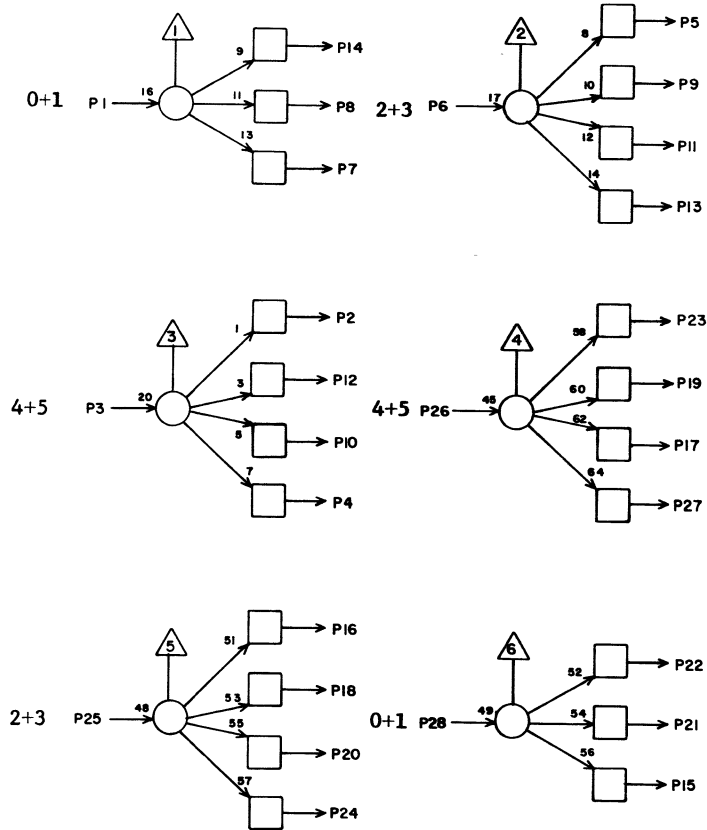


RF 7I 9

1	N39	16	37
2	J 9	28	9
3	J 9	5	7
4			
5	J 9	3	7
6			
7	F 2	12	17
8	G12	26	11
9			
10			
11	D 9	19	21
12			
13			
14	N 3	19	23
15			
16	F 3	27	15
17			
18	J 9	24	7
19			
20	G23	26	19
21			
22			
23			
24	J 9	18	5
25	H31	28	23
26	J31	28	23
27			
28	J 9	2	3

JACK PIN LG

Exit Control: X Registers  
X to Increment



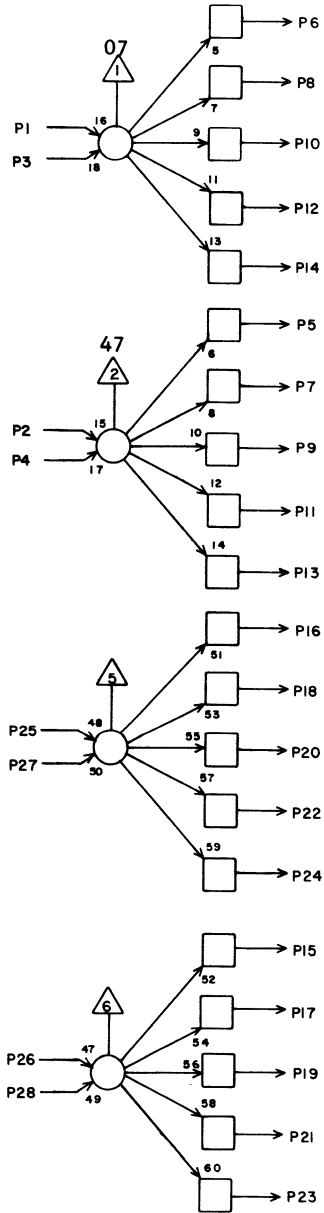
TH 7T 10

1	J10	9	7
2	H 4	23	9
3	J10	19	7
4	H 7	23	7
5	H 8	21	7
6	J10	10	7
7	H 6	17	9
8	H 5	17	9
9	H 9	21	7
10	H 6	23	9
11			
12	H 5	23	9
13			
14	H 4	17	11
15	H 9	17	7
16	H 4	21	11
17			
18	H 5	21	9
19	H 9	23	7
20	H 6	21	9
21	H 8	17	9
22	H 7	17	9
23	H 8	23	9
24	H 7	21	9
25	J10	12	5
26	J10	17	5
27			
28	J10	11	5

JACK PIN LG



Clock



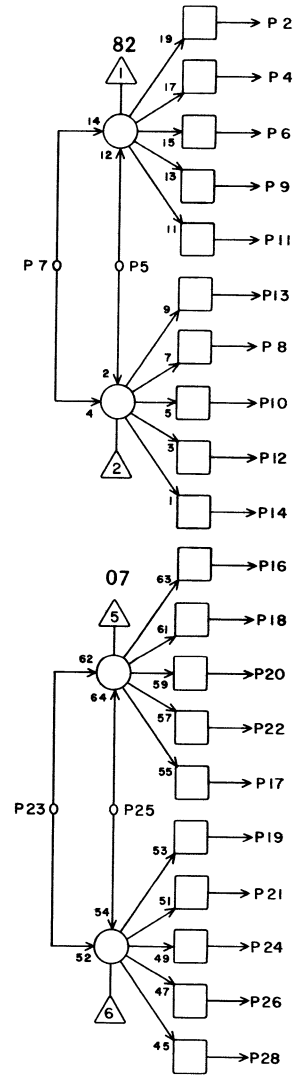
T D 7I 13

1	I22	2	72
2	I22	3	120
3			
4			
5	I16	25	7
6	H25	3	15
7	I17	5	7
8	H25	4	15
9	I17	25	7
10	H25	27	15
11	G37	16	27
12	H25	28	15
13			
14			
15	I22	19	13
16			
17			
18	I18	14	9
19			
20	I19	3	9
21			
22			
23			
24			
25	I22	7	84
26	I21	19	84
27			
28			

JACK PIN LG

63017300 Rev. H

Clock



HC 7I 14

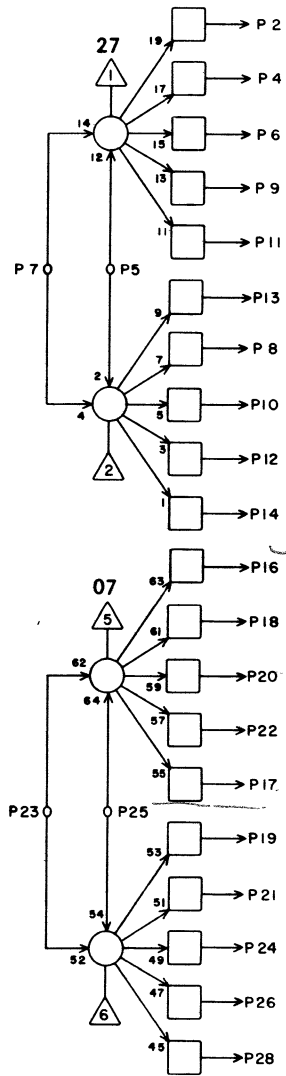
1			
2	G28	3	19
3			
4	F37	3	27
5	I22	23	11
6	G36	10	120
7	gnd		2
8	H28	3	17
9	L26	10	19
10	H27	3	15
11	G27	3	17
12	K33	3	21
13	I28	3	15
14	K34	3	23
15			
16			
17			
18			
19	I40	3	25
20	C35	3	33
21	I40	14	25
22	C35	14	33
23			
24	O36	3	33
25	I22	4	96
26			
27			
28			

JACK PIN LG

63017300 Rev. H

7I14

Clock



HC

7I 15

1			
2	E31	5	25
3	E31	16	23
4			
5	I15	26	60
6	N34	5	29
7			
8	I24	16	72
9	N34	16	31
10	I18	3	9
11	I25	5	72
12			
13	I25	16	72
14			
15			
16			
17	J27	16	15
18	K24	22	15
19	J28	16	15
20	I26	16	13
21	L34	16	23
22	I27	16	15
23			
24	M34	16	25
25	I22	6	11
26	I15	5	60
27			
28	J26	15	15

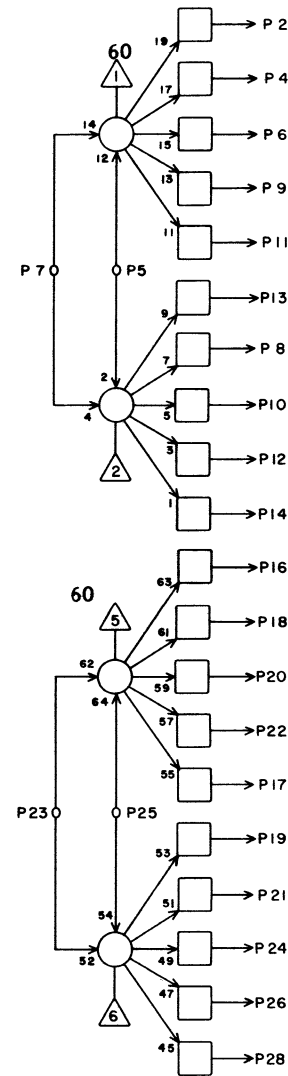
JACK PIN LG

63017300 Rev. N

HC

7I 16

Clock

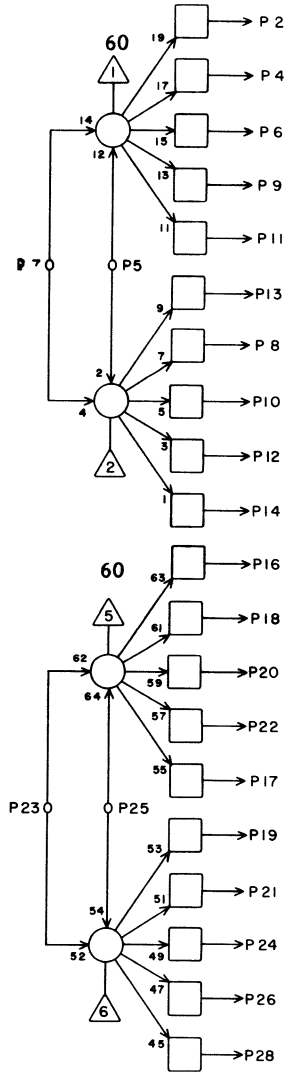


1			
2	C19	7	25
3			
4	C19	22	25
5	I22	24	19
6	E19	7	19
7			
8			
9	E19	23	19
10			
11	K20	7	13
12			
13			
14			
15			
16	B12	7	31
17	E18	7	21
18	B12	23	31
19	E18	23	21
20	B11	7	33
21	F18	7	15
22	B11	23	31
23	gnd		2
24	F18	23	15
25	I13	5	7
26			
27			
28			

JACK PIN LG

63017300 Rev. H

Clock



HC

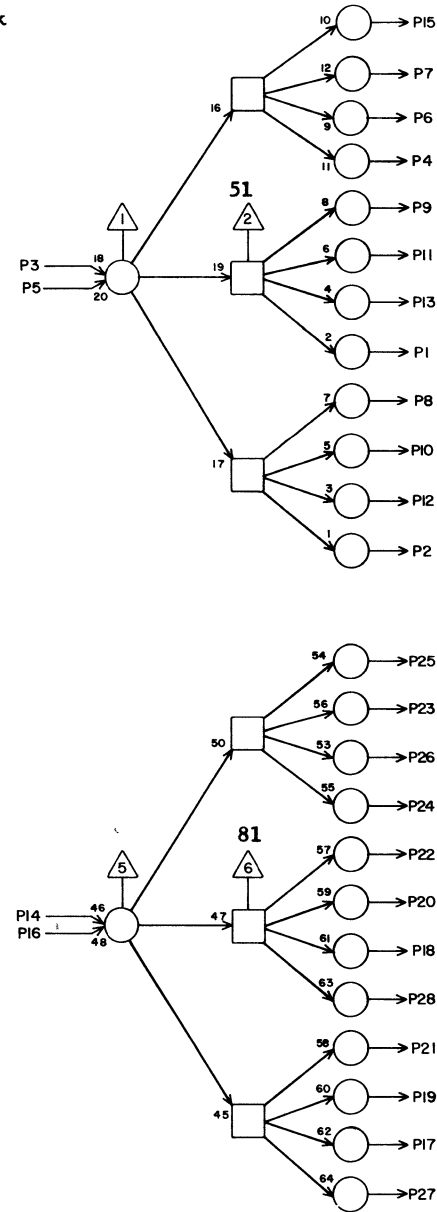
7I 17

1			
2	D18	7	21
3			
4	D18	23	21
5	I13	7	7
6	G18	7	11
7	gnd		2
8	O21	7	27
9	G18	23	11
10	O21	23	27
11	N21	7	23
12			
13	N21	23	23
14			
15			
16			
17	Q11	7	33
18	L21	23	15
19	Q11	23	33
20	M21	7	19
21	Q12	7	33
22	M21	23	19
23	gnd		2
24	Q12	23	33
25	I13	9	7
26			
27			
28			

JACK PIN LG

63017300 Rev. D

Clock



TC

7I 18

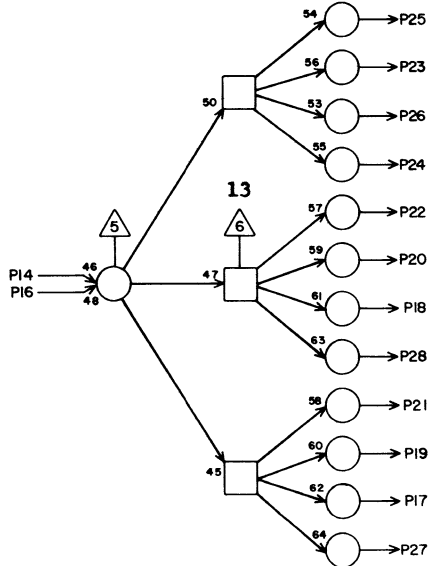
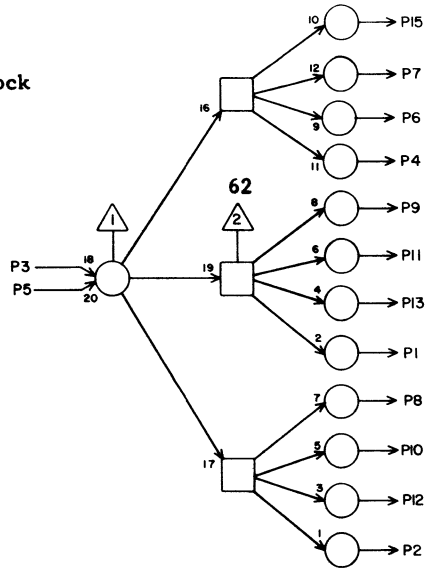
1			
2			
3	I15	10	9
4	D25	17	23
5	gnd		2
6	D24	17	21
7	D23	17	21
8			
9	G27	22	13
10			
11			
12			
13			
14	I13	18	9
15	D22	17	23
16	gnd		2
17	E22	17	19
18	D20	17	23
19	E21	17	19
20	C25	17	27
21	E20	17	19
22	C24	17	27
23	C21	17	27
24	C23	17	27
25	C20	17	25
26	C22	17	27
27	E23	17	21
28	D21	17	23

JACK PIN LG

63017300 Rev. D

7118

Clock

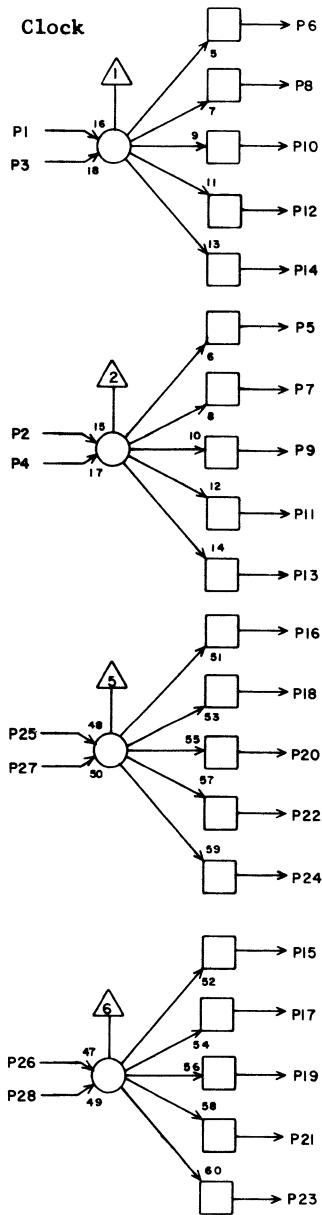


TC

71 19

1	F23	17	13
2	J25	17	11
3	I13	20	9
4	J23	17	9
5	gnd		2
6	J22	17	9
7	J21	17	9
8	F24	17	15
9	F20	17	13
10	F25	17	15
11	F21	17	15
12	J24	17	9
13	F22	17	15
14	I22	21	144
15	J20	17	7
16	gnd		2
17			
18			
19			
20			
21			
22			
23	G36	17	19
24			
25	G28	22	15
26			
27			
28			

JACK PIN LG



T D      7 I 21

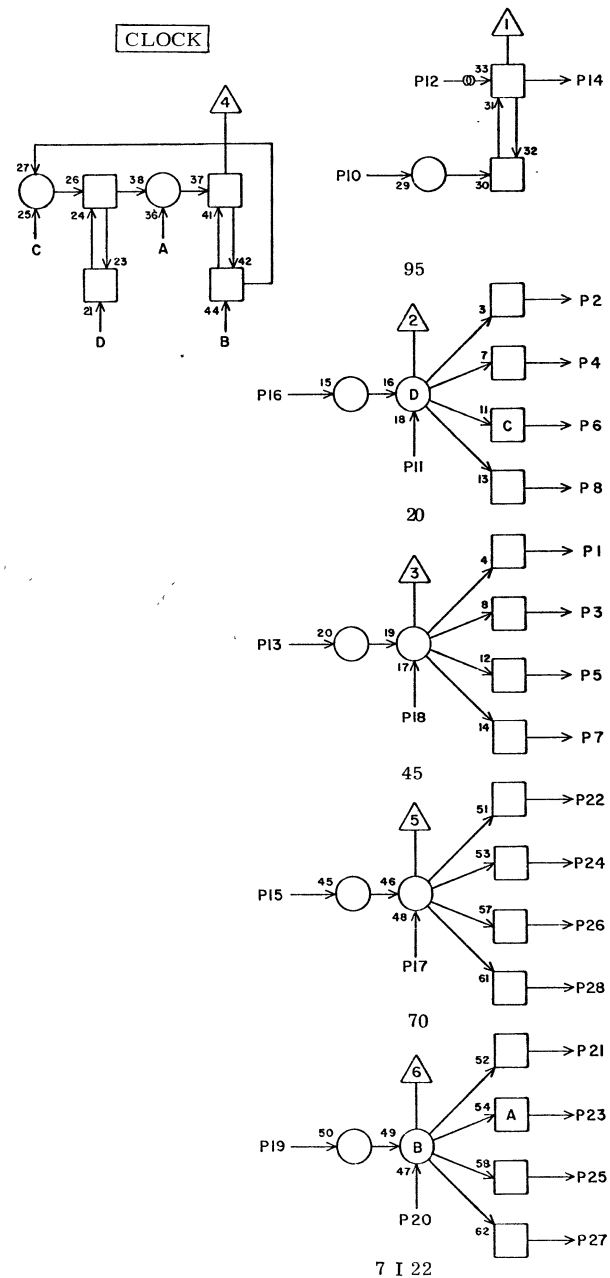
1	I22	14	84
2	I21	8	84
3			
4			
5	I22	16	5
6	I22	11	3
7	I22	18	5
8	I21	2	84
9	I21	25	84
10	I22	10	84
11			
12			
13			
14			
15	I22	15	3
16	I22	13	3
17	I22	20	3
18	I22	17	3
19	I13	26	84
20	I21	26	84
21			
22			
23			
24			
25	I21	9	84
26	I21	20	84
27			
28			

JACK      PIN      LG

63017300 Rev. G

LS 63046200  
ASSY

E  
REV



HQ

7 I 22

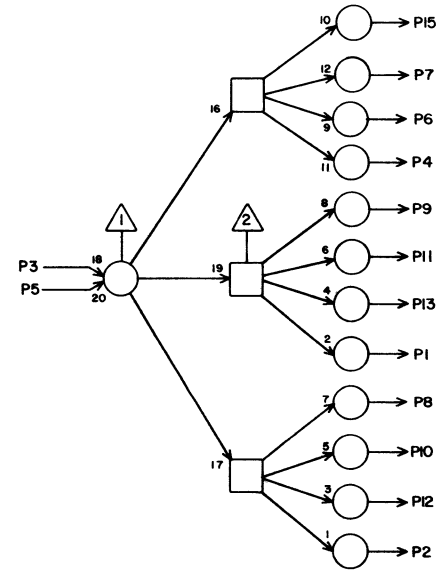
1	G26	16	13
2	I 13	1	72
3	I 13	2	120
4	I 14	25	96
5			
6	I 15	25	11
7	I 13	25	84
8			
9			
10	I 21	10	84
11	I 21	6	3
12	W16	901	
13	I 21	16	3
14	I 21	1	84
15	I 21	15	3
16	I 21	5	5
17	I 21	18	3
18	I 21	7	5
19	I 13	15	13
20	I 21	17	3
21	I 19	14	144
22			
23	I 14	5	11
24	I 16	5	19
25	B 35	3	60
26			
27	B 35	14	60
28			

JACK      PIN      LG

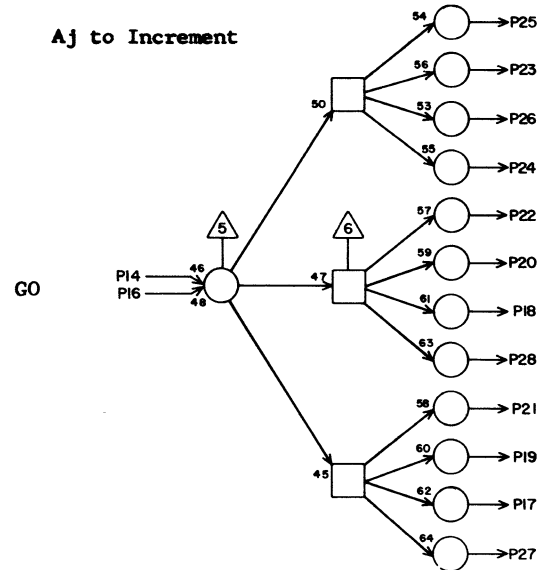
CIRCUIT SPECIFICATION 11827600

63017300 Rev N

7 I 22

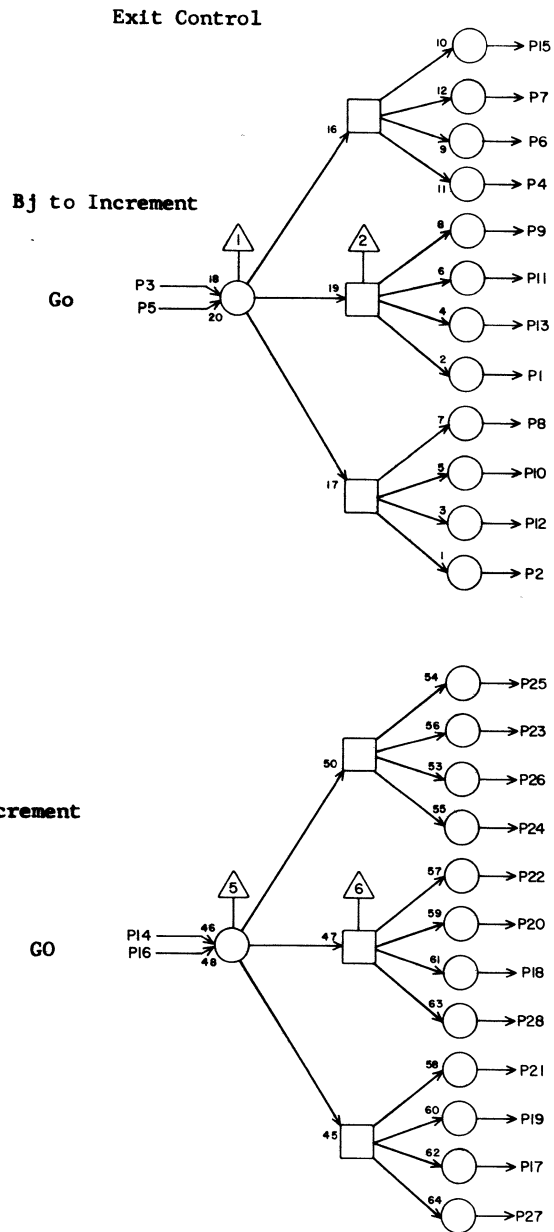


**Exit Control**  
**Aj to Increment**



1			
2			
3			
4			
5			
6			
7			
8			
9			
10			
11			
12			
13			
14	G26	9	180
15			
16	I15	8	72
17			
18			
19			
20	K32	10	13
21			
22	K31	10	13
23	K28	10	11
24	K30	10	13
25	K27	10	11
26	K29	10	11
27			
28			

JACK PIN LG

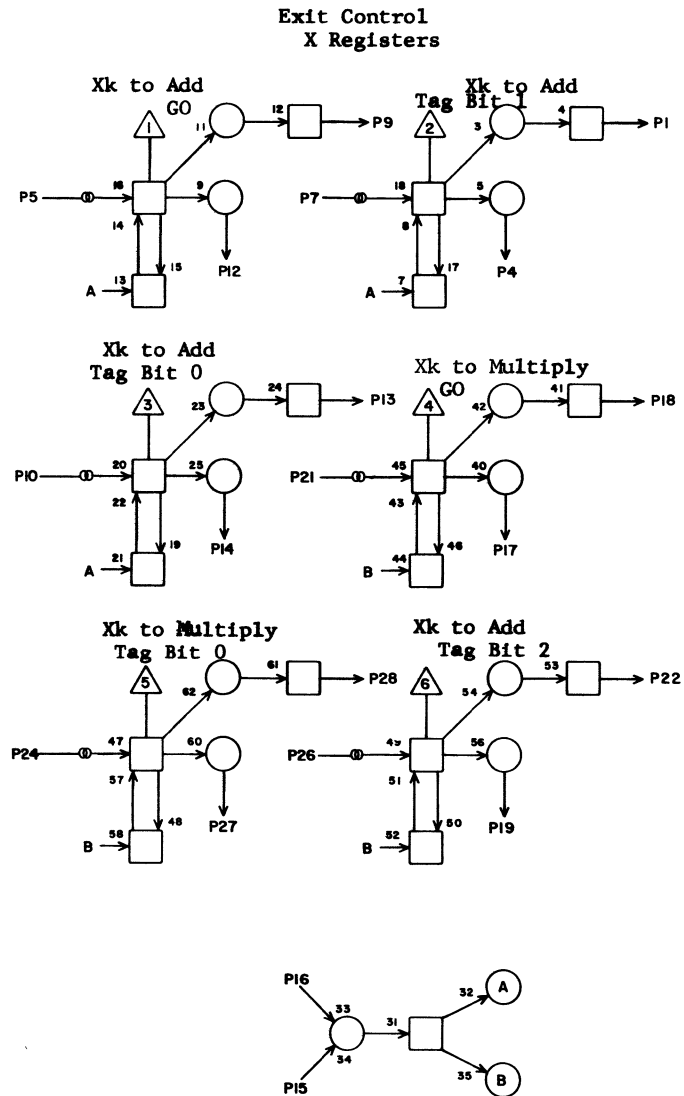


TC 7I 25

1			
2			
3	L34	9	180
4	K30	9	13
5	I15	11	72
6	K29	9	13
7	K28	9	13
8			
9	K31	9	13
10			
11	K32	9	13
12			
13			
14	J27	18	180
15	K27	9	11
16	I15	13	72
17			
18			
19			
20	K32	12	13
21			
22	K31	12	13
23	K28	12	13
24	K30	12	13
25	K27	12	11
26	K29	12	13
27			
28			

JACK    PIN    LG

63017300 Rev. L



7I26

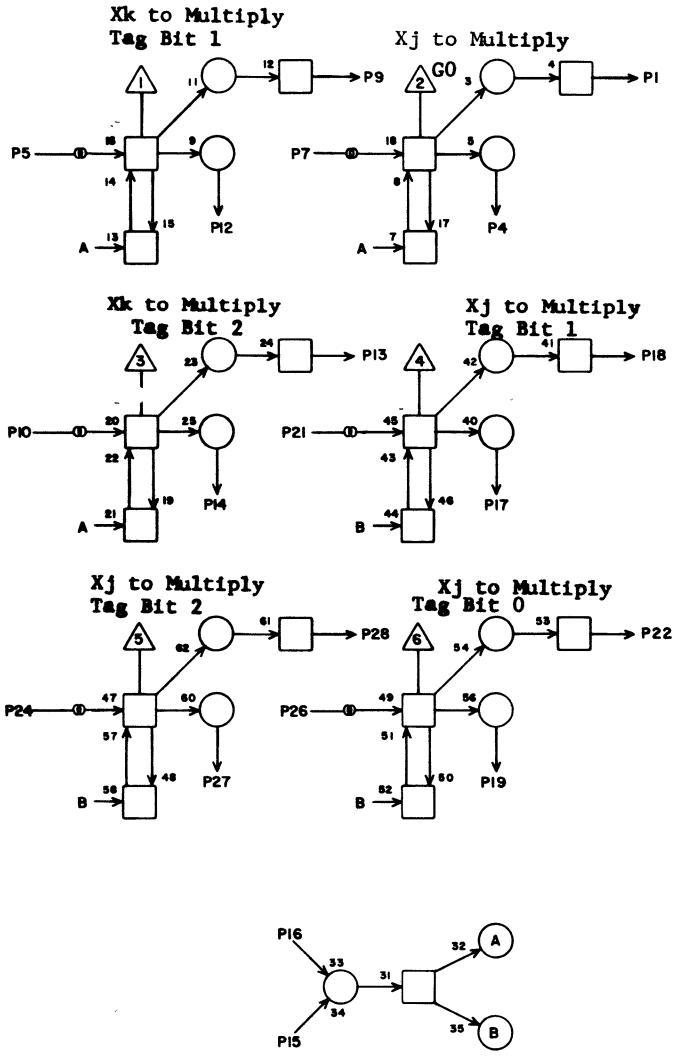
PI 7I 26

1			
2			
3			
4	O37	6	27
5	W18	904	
6			
7	W18	906	
8			
9	H25	1	9
10	W18	905	
11			
12			
13	K 7	1	21
14			
15	gnd		2
16	I15	20	13
17			
18	H25	2	9
19	O37	8	27
20			
21	W17	93	
22			
23			
24	W17	94	
25			
26	W18	907	
27			
28	K 7	28	21

JACK    PIN    LG

63017300 Rev. D

Exit Control  
X Registers



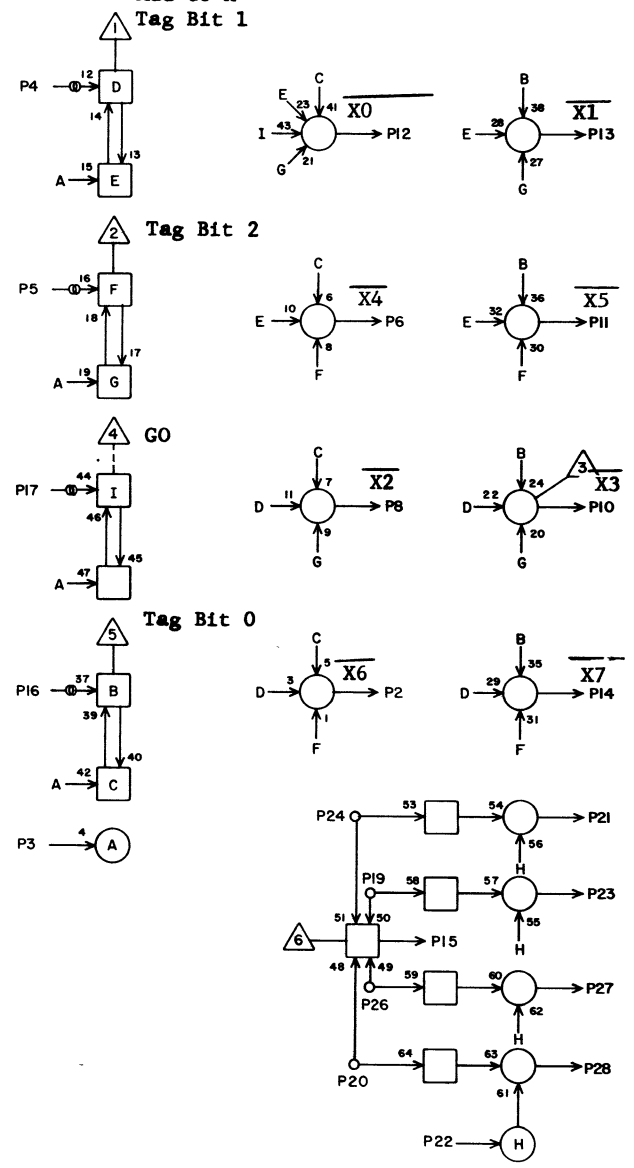
PI

7I 27

1	H25	25	7
2			
3			
4			
5	W17	95	
6			
7	W16	99	
8			
9			
10	W17	96	
11			
12	I36	6	11
13			
14	I36	8	11
15	gnd		2
16	I15	22	15
17	H36	6	13
18			
19			
20			
21	W17	98	
22	K 7	16	21
23			
24	W17	99	
25			
26	W17	97	
27	H36	8	13
28			

JACK PIN LG

Entry Control  
Add to X  
Tag Bit 1



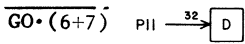
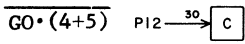
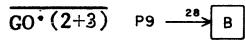
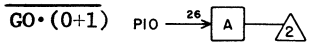
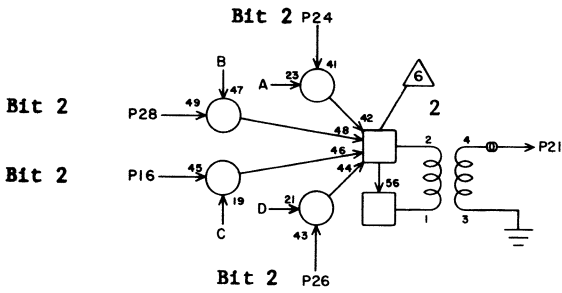
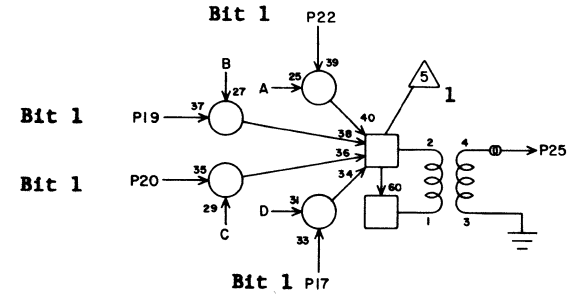
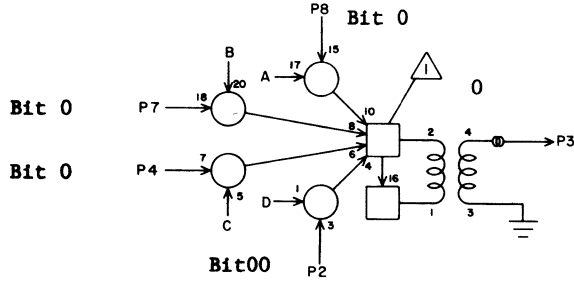
7I 28

1			
2	J22	19	11
3	I14	15	15
4	W19	93	
5	W16	90	
6	J20	19	11
7			
8	E22	19	19
9			
10	E23	19	21
11	J21	19	11
12	E20	19	19
13	E21	19	19
14	J23	19	9
15			
16	W16	907	
17	W16	906	
18			
19			
20			
21			
22			
23			
24			
25			
26			
27			
28			

JACK PIN LG



Exit Control: Trunk  
Xj to Multiply

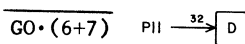
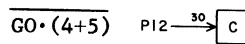
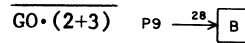
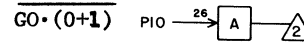
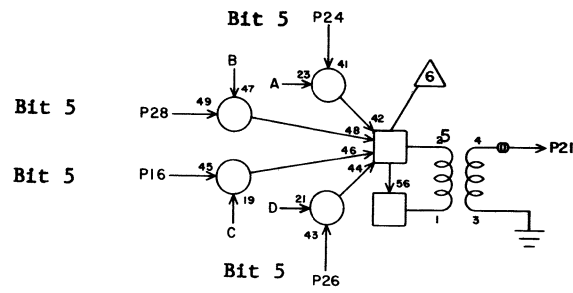
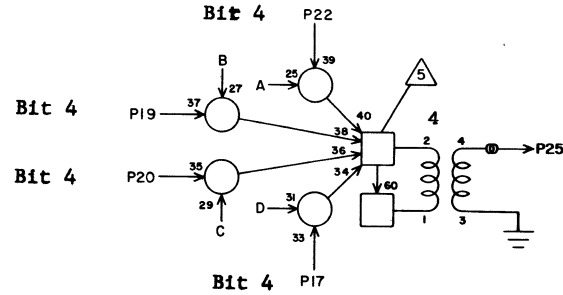
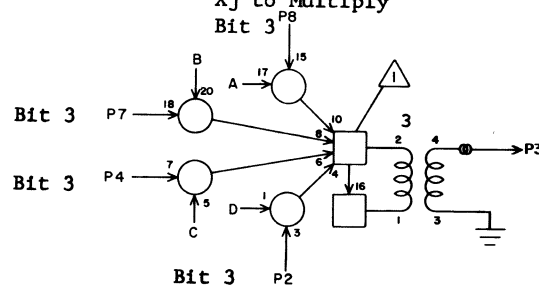


RG 7I 29

1			
2	O 1	26	37
3	W14	90	
4	L 1	26	31
5			
6			
7	G 1	26	29
8	B 1	26	35
9	I35	25	9
10	I35	15	9
11	J35	25	11
12	J35	15	11
13			
14			
15			
16	L 3	26	29
17	O 2	26	37
18			
19	G 2	26	27
20	L 2	26	29
21	W14	92	
22	B 2	26	37
23			
24	B 3	26	37
25	W14	91	
26	O 3	26	33
27			
28	G 3	26	29

JACK PIN LG

Exit Control: Trunk  
Xj to Multiply  
Bit 3



RG 7I 30

1			
2	O 4	26	37
3	W14	93	
4	L 4	26	29
5			
6			
7	G 4	26	29
8	B 4	26	37
9	I35	23	7
10	I35	7	7
11	J35	23	9
12	J35	7	9
13			
14			
15			
16	L 6	26	27
17	O 5	26	37
18			
19	G 5	26	29
20	L 5	26	27
21	W14	95	
22	B 5	26	37
23			
24	B 6	26	37
25	W14	94	
26	O 6	26	33
27			
28	G 6	26	25

JACK PIN LG

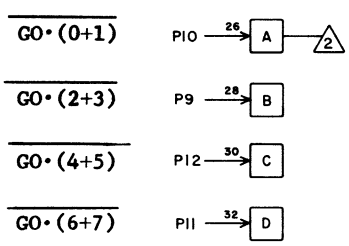
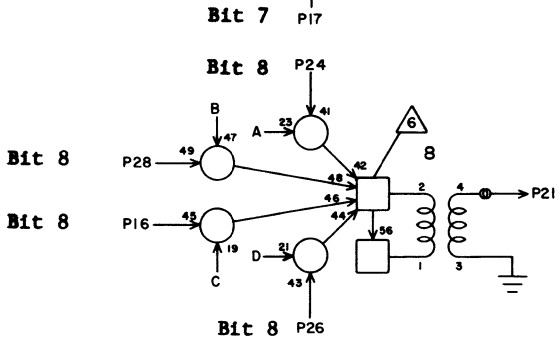
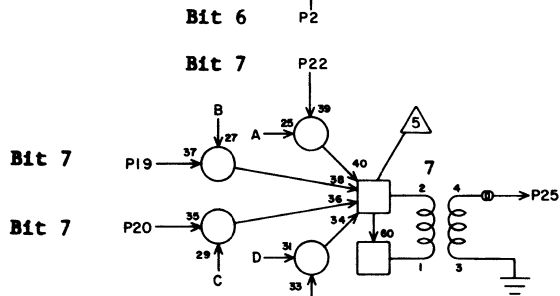
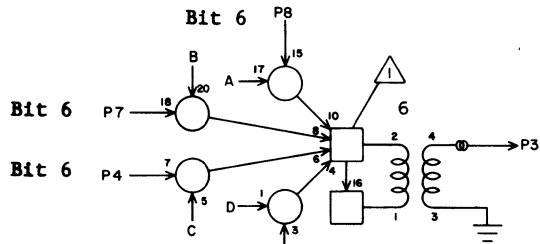
Exit Control: Trunk  
Xj to Multiply

RG

7I 31

1			
2	O 7	26	37
3	W14	96	
4	L 7	26	27
5			
6			
7	G 7	26	25
8	B 7	26	37
9	I35	26	7
10	I35	6	7
11	J35	26	9
12	J35	6	9
13			
14			
15			
16	L 9	26	27
17	O 8	26	33
18			
19	G 8	26	25
20	L 8	26	27
21	W14	98	
22	B 8	26	37
23			
24	B 9	26	37
25	W14	97	
26	O 9	26	33
27			
28	G 9	26	23

JACK PIN LG



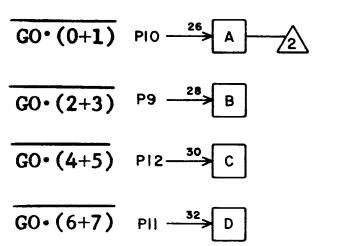
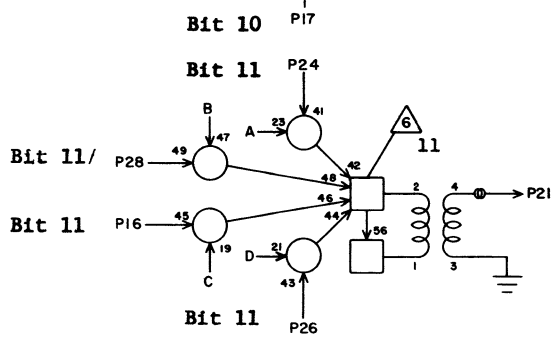
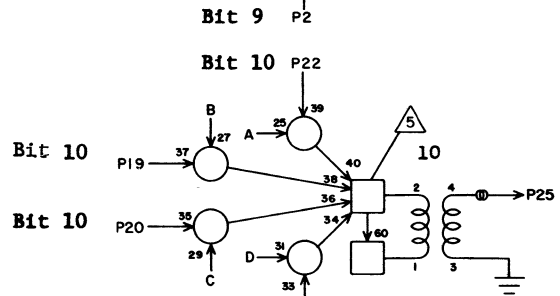
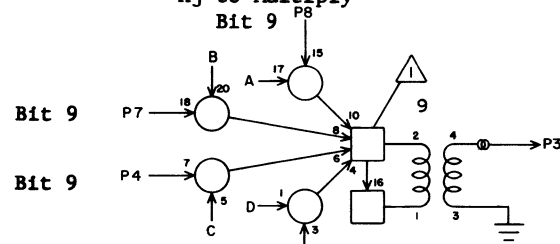
Exit Control: Trunk  
Xj to Multiply

RG

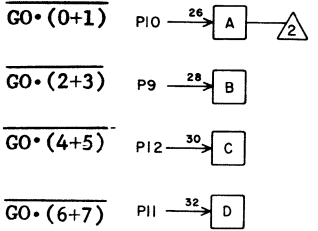
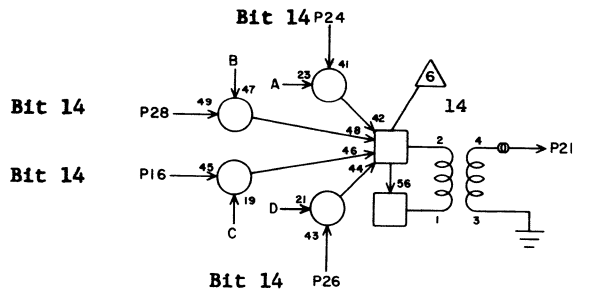
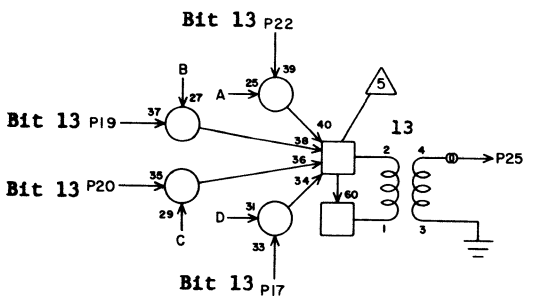
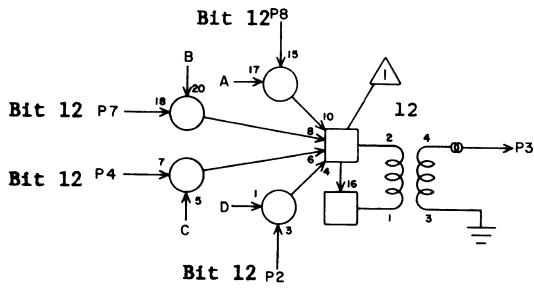
7I 32

1			
2	O10	26	33
3	W14	99	
4	L10	26	27
5			
6			
7	H 1	4	31
8	C 1	4	39
9	I35	24	7
10	I35	4	5
11	J35	24	9
12	J35	4	9
13			
14			
15			
16	L12	26	25
17	O11	26	33
18			
19	H 2	4	29
20	L11	26	25
21	W14	901	
22	C 2	4	39
23			
24	C 3	4	39
25	W14	900	
26	O12	26	33
27			
28	H 3	4	29

JACK PIN LG



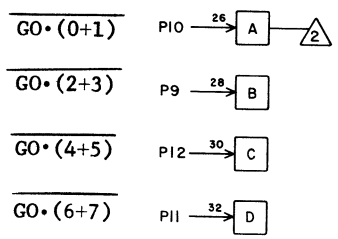
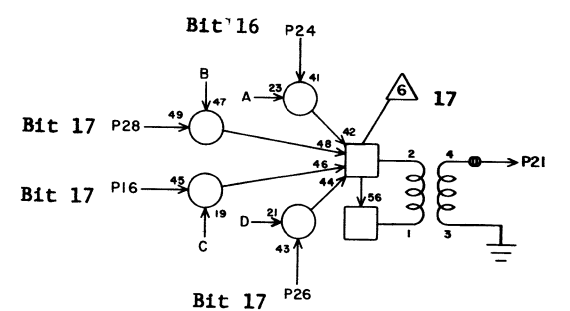
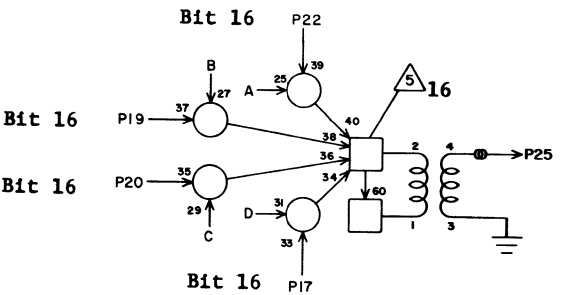
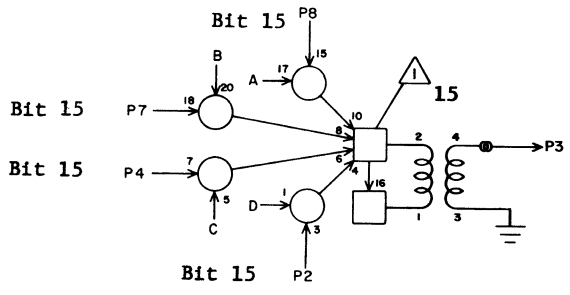
Exit Control: Trunk  
Xj to Multiply



RG 7I 33

1			
2	O13	26	33
3	W14	902	
4	M 1	4	35
5			
6			
7	H 4	4	29
8	C 4	4	39
9	I35	22	5
10	I35	9	5
11	J35	22	7
12	J35	9	7
13			
14			
15			
16	M 3	4	33
17	P 1	4	39
18			
19	H 5	4	29
20	M 2	4	33
21	W14	904	
22	C 5	4	39
23			
24	C 6	4	39
25	W14	903	
26	P 2	4	41
27			
28	H 6	4	27
	JACK	PIN	LG

Exit Control: Trunk  
Xj to Multiply

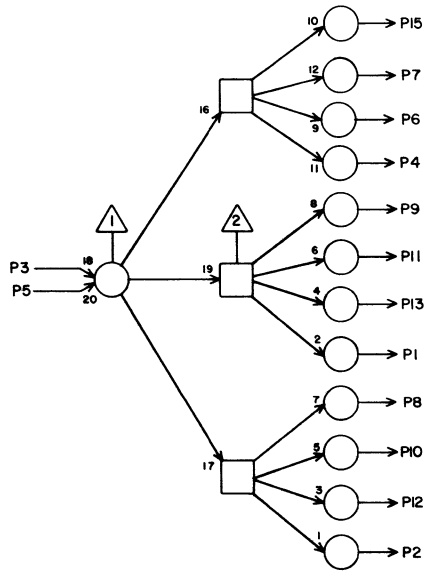


RG 7I 34

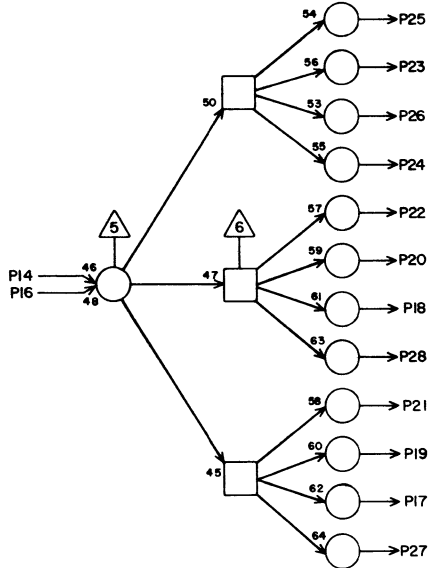
1			
2	P 3	4	39
3	W14	905	
4	M 4	4	33
5			
6			
7	H 7	4	27
8	C 7	4	37
9	I35	20	5
10	I35	11	3
11	J35	20	7
12	J35	11	7
13			
14			
15			
16	M 6	4	33
17	P 4	4	39
18			
19	H 8	4	27
20	M 5	4	37
21	W14	907	
22	C 8	4	37
23			
24	C 9	4	37
25	W14	906	
26	P 5	4	37
27			
28	H 9	4	27
	JACK	PIN	LG

Exit Control  
Xj to Multiply

GO  
0+1



GO  
2+3



TC 7I 35

1	J30	10	11
2	J34	10	7
3	H25	16	13
4	I32	10	5
5	H36	15	5
6	I31	10	7
7	I30	10	7
8	J31	10	9
9	I33	10	5
10	J32	10	9
11	I34	10	3
12	J33	10	7
13	J29	10	11
14	H25	18	13
15	I29	10	9
16	H36	13	7
17	J33	9	7
18	J29	9	11
19	J32	9	9
20	I34	9	5
21	J31	9	7
22	I33	9	5
23	I30	9	7
24	I32	9	7
25	I29	9	9
26	I31	9	7
27	J34	9	5
28	J30	9	11

JACK PIN LG

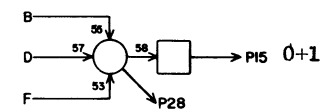
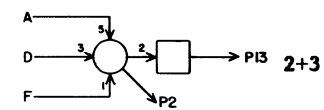
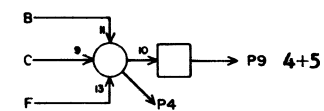
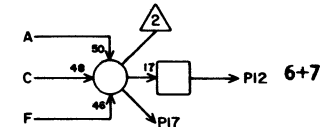
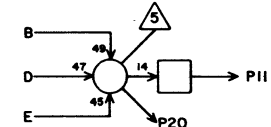
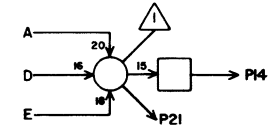
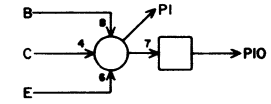
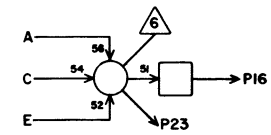
63017300 Rev. D

Exit Control  
Xk to Multiply

Tag Bit 1 P6 → A → B

Tag Bit 2 P8 → C → D

P26 → E → F



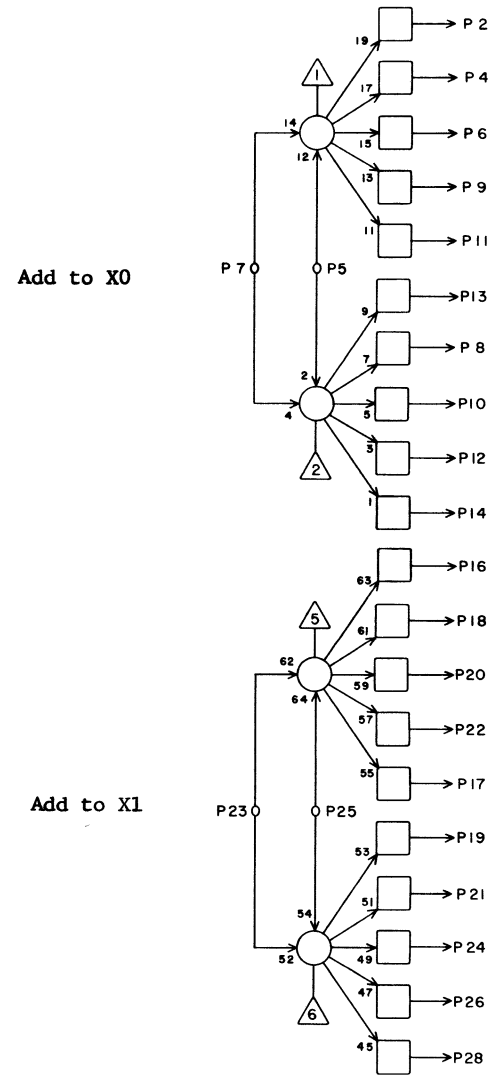
IV 7I 36

1			
2			
3			
4			
5			
6	I27	12	11
7			
8	I27	14	11
9	H35	5	9
10			
11			
12	H35	16	9
13	G35	16	11
14			
15	G35	5	11
16			
17			
18			
19			
20			
21			
22			
23			
24			
25			
26			
27			
28			

JACK PIN LG

63017300 Rev. D

Entry Control  
Add to X

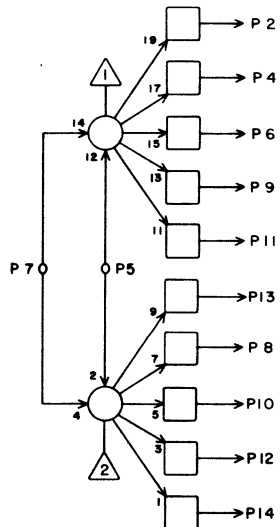


HC 7I 38

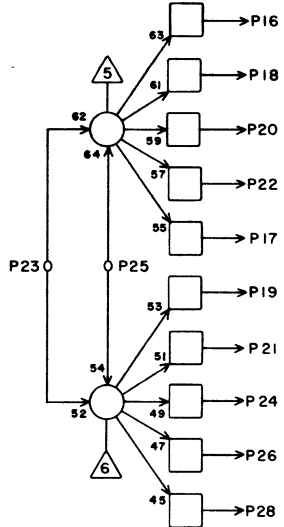
1			
2	H37	16	5
3			
4	H39	16	7
5	E20	26	23
6	H41	16	7
7	gnd		2
8	K38	16	13
9	J37	16	7
10	K40	16	13
11	J39	16	7
12	K42	16	13
13	J41	16	7
14			
15			
16	H37	25	7
17	J39	25	7
18	H39	25	7
19	J41	25	7
20	H41	25	7
21	K38	20	13
22	J37	25	7
23	gnd		2
24	K40	25	13
25	E21	26	25
26	K42	25	13
27			
28			

JACK PIN LG

Entry Control  
Add to X



Add to X2



Add to X3

HC

7I 39

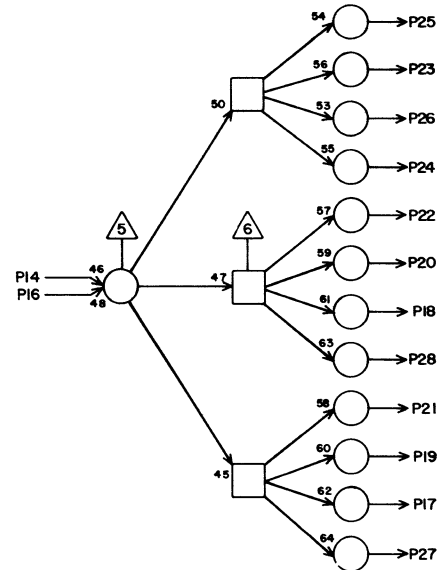
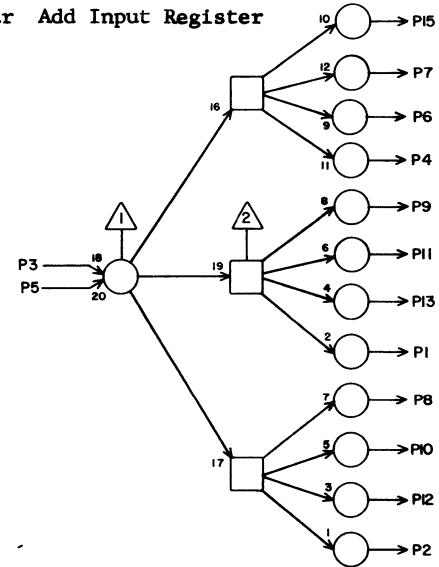
1			
2	H37	3	7
3			
4	H39	3	7
5	E22	26	25
6	H41	3	7
7	gnd		2
8	K38	3	11
9	J37	3	7
10	K40	3	11
11	J39	3	7
12	K42	3	11
13	J41	3	7
14			
15			
16	H37	6	7
17	J39	6	7
18	H39	6	7
19	J41	6	7
20	H41	6	7
21	K38	6	11
22	J37	6	5
23	gnd		2
24	K40	6	21
25	E23	26	23
26	K42	6	11
27			
28			

JACK PIN LG

63017300 Rev. D

Entry Control

Clear Add Input Register



TC

7I40

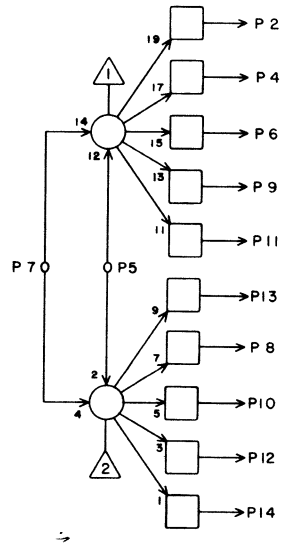
1	J38	15	7
2	J42	15	7
3	I14	19	25
4	H40	15	5
5	GND		2
6	H39	15	5
7	H38	15	5
8	J39	15	7
9	H41	15	7
10	J40	15	7
11	H42	15	7
12	J41	15	7
13	J37	15	9
14	I14	21	25
15	H37	15	7
16	GND		2
17			
18			
19			
20	K42	15	11
21			
22	K41	15	11
23	K38	15	11
24	K40	15	11
25	K37	15	11
26	K39	15	11
27			
28			

JACK PIN LG

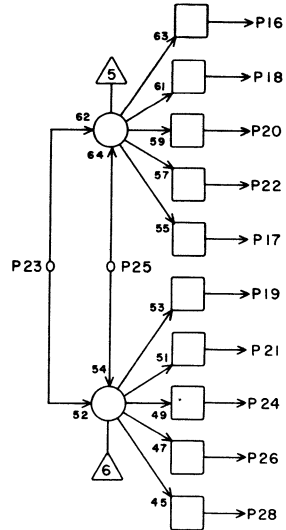
63017300 Rev. D

Entry Control

Add to X



Add to X4



Add to X5

HC

7I41

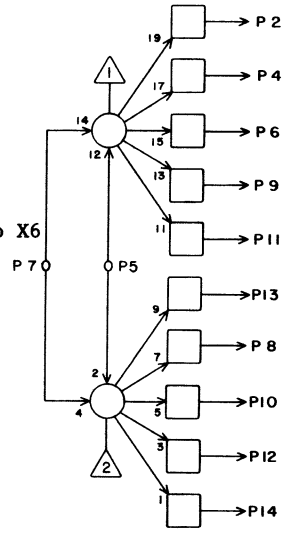
1			
2	H38	16	7
3			
4	H40	16	5
5	J20	26	23
6	H42	16	7
7	GND		2
8	K37	16	13
9	J38	16	9
10	K39	16	13
11	J40	16	7
12	K41	16	11
13	J42	16	7
14			
15			
16	H38	25	7
17	J40	25	7
18	H40	25	7
19	J42	25	7
20	H42	25	7
21	K37	25	13
22	J38	25	9
23	GND		2
24	K39	25	13
25	J21	26	21
26	K41	25	11
27			
28			

JACK PIN LG

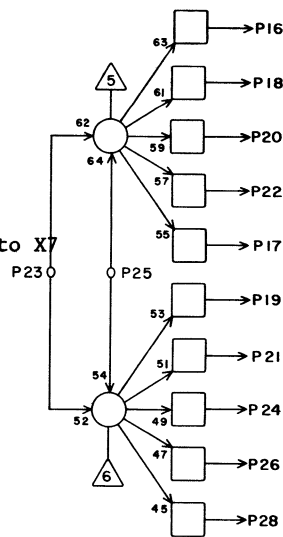
63017300 Rev. D

Entry Control

Add to X6



Add to X7



7I42

HC

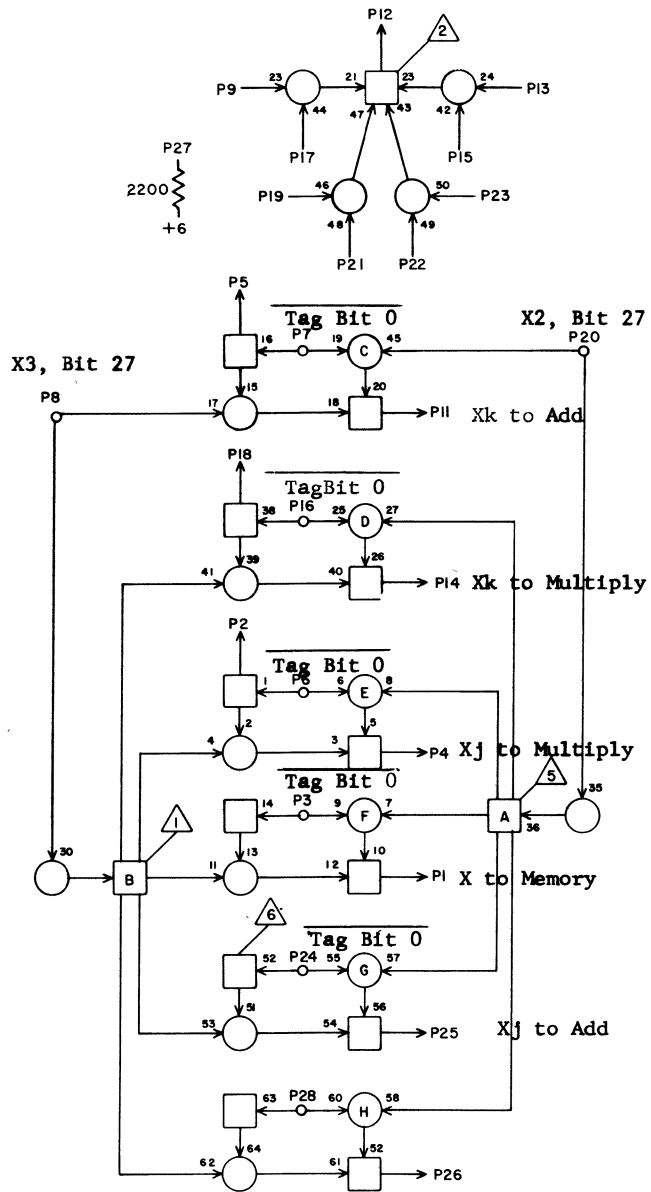
7I42

1			
2	H38	3	9
3			
4	H40	3	7
5	J22	26	21
6	H42	3	7
7	GND		2
8	K37	3	13
9	J38	3	9
10	K39	3	11
11	J40	3	7
12	K41	3	11
13	J42	3	7
14			
15			
16	H38	6	9
17	J40	6	7
18	H40	6	7
19	J42	6	7
20	H42	6	7
21	K37	6	13
22	J38	6	9
23	GND		2
24	K39	6	11
25	J23	26	21
26	K41	6	11
27			
28			

JACK PIN LG

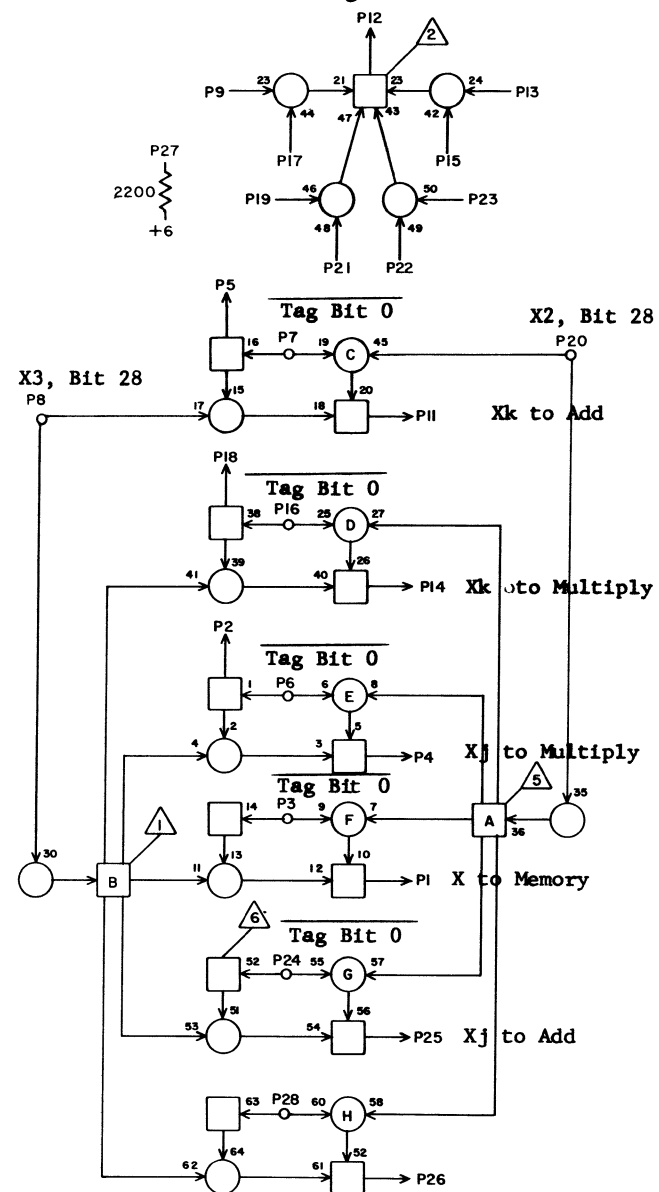
63017300 Rev. D3

Exit Control: X Registers



RF			
7J1			
JACK	PIN	LG	
1	E 1	19	21
2	I 1	28	3
3	I 1	5	7
4	J32	7	29
5	I 1	3	7
6	F 7	10	19
7	F 4	10	7
8	G23	27	25
9			
10			
11	N40	4	39
12			
13			
14	H32	7	33
15			
16	F 5	19	17
17			
18	I 1	24	5
19			
20	G12	27	17
21			
22			
23			
24	I 1	18	7
25	N 4	19	19
26			
27			
28	I 1	2	9

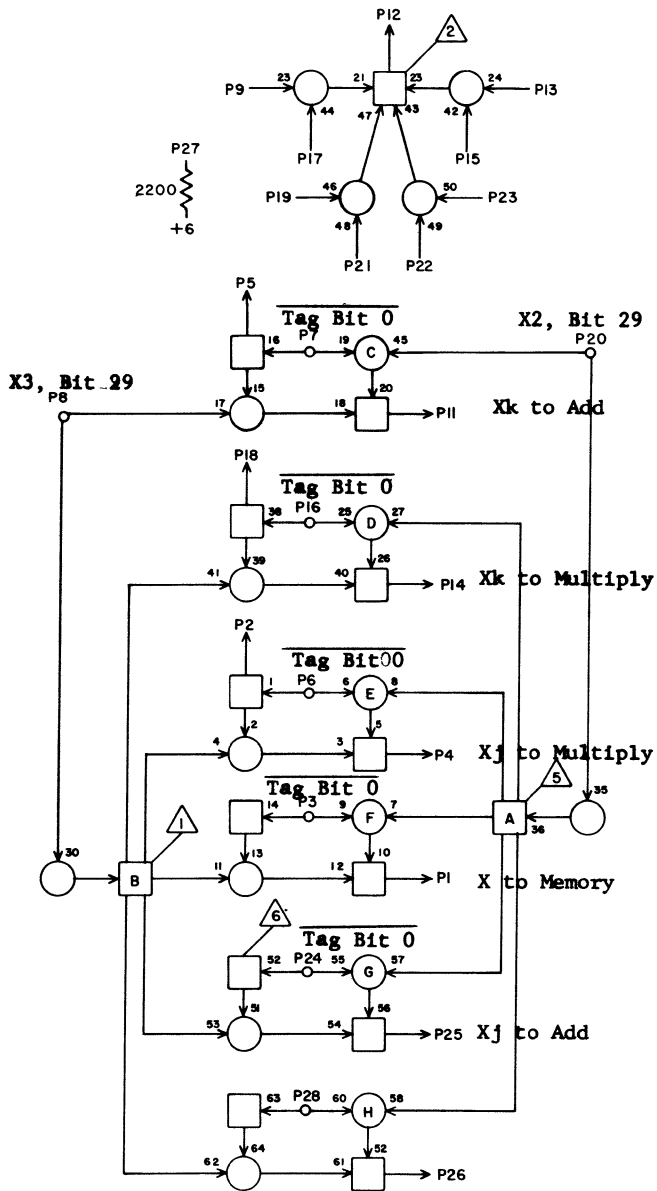
Exit Control: X Registers



RF			
7J 2			
JACK	PIN	LG	
1	E 2	19	21
2	I 2	28	3
3	I 2	5	7
4	J32	19	29
5	I 2	3	7
6	F 7	12	19
7	F 4	12	17
8	G24	11	25
9			
10			
11	N40	20	39
12			
13			
14	H32	19	33
15			
16	F 5	17	17
17			
18	I 2	24	5
19			
20	G13	11	17
21			
22			
23			
24	I 2	18	7
25	N 5	19	19
26			
27			
28	I 2	2	9



Exit Control: X Registers

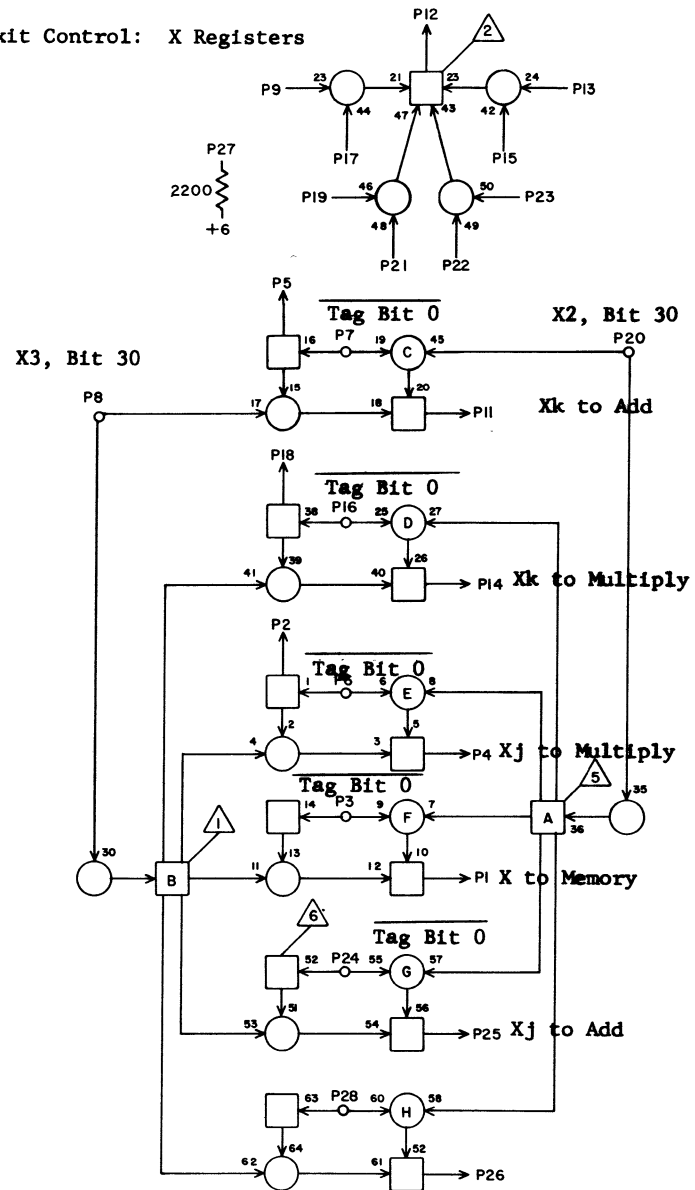


RF		7J 3	
1	E 3	19	21
2	I 3	28	3
3	I 3	5	7
4	J32	28	27
5	I 3	3	7
6	F 7	2	19
7	F 4	2	19
8	G24	16	25
9			
10			
11	N40	16	37
12			
13			
14	H32	28	29
15			
16	F 5	27	17
17			
18	I 3	24	5
19			
20	G13	16	17
21			
22			
23			
24	I 3	18	7
25	N 6	19	19
26			
27			
28	I 3	2	9

JACK PIN LG

63017300 Rev. 'D

Exit Control: X Registers

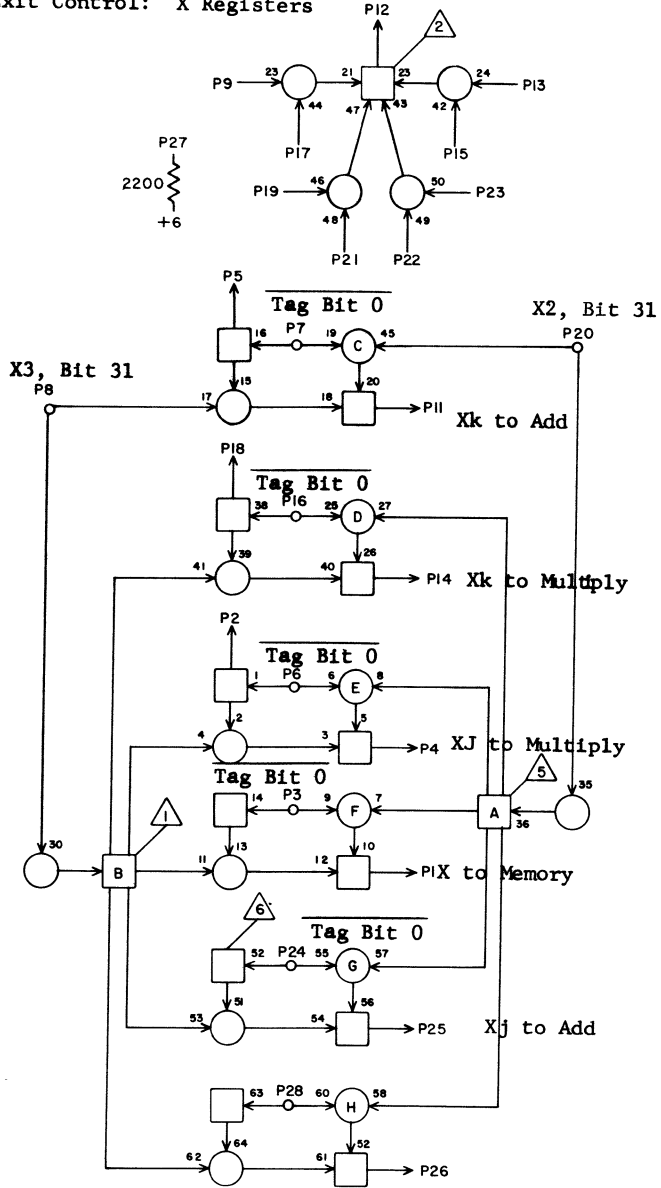


RF		7J 4	
1	E 4	19	21
2	I 4	28	3
3	I 4	5	7
4	J33	7	29
5	I 4	3	7
6	F 8	13	19
7	F 5	13	19
8	G24	26	23
9			
10			
11	N41	4	37
12			
13			
14	H33	7	29
15			
16	F 6	18	19
17			
18	I 4	24	5
19			
20	G13	26	17
21			
22			
23			
24	I 4	18	7
25	N 7	19	19
26			
27			
28	I 4	2	9

JACK PIN LG

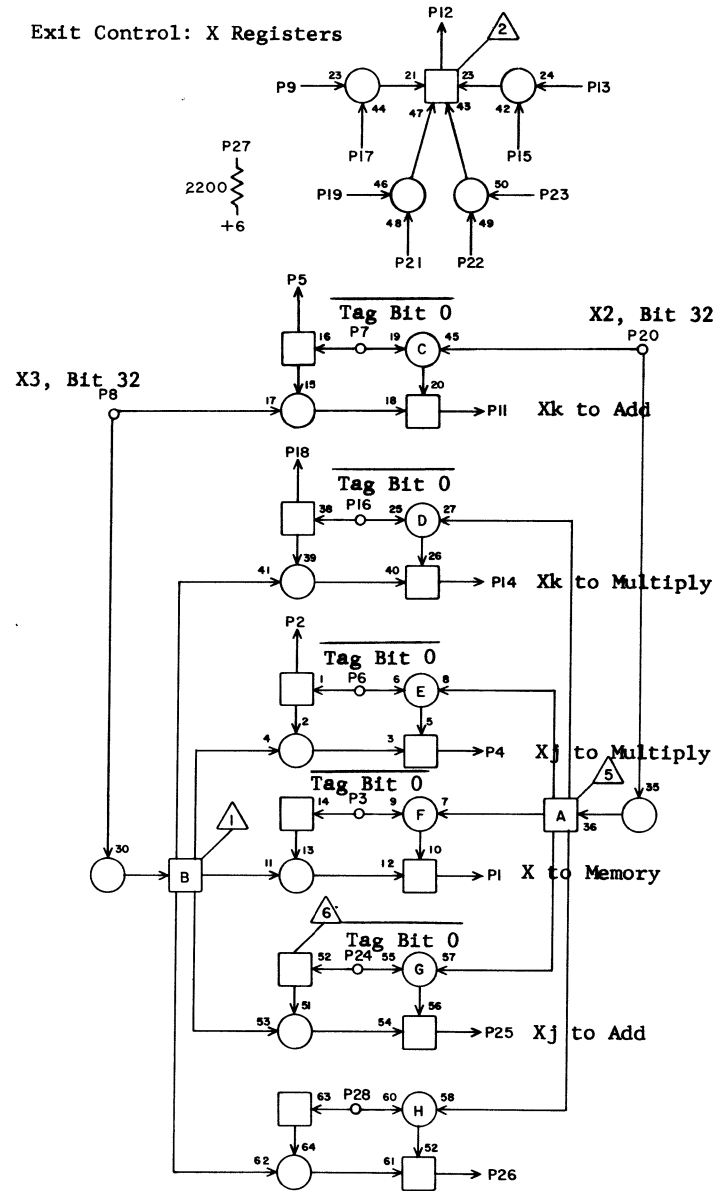
63017300 Rev. D

Exit Control: X Registers



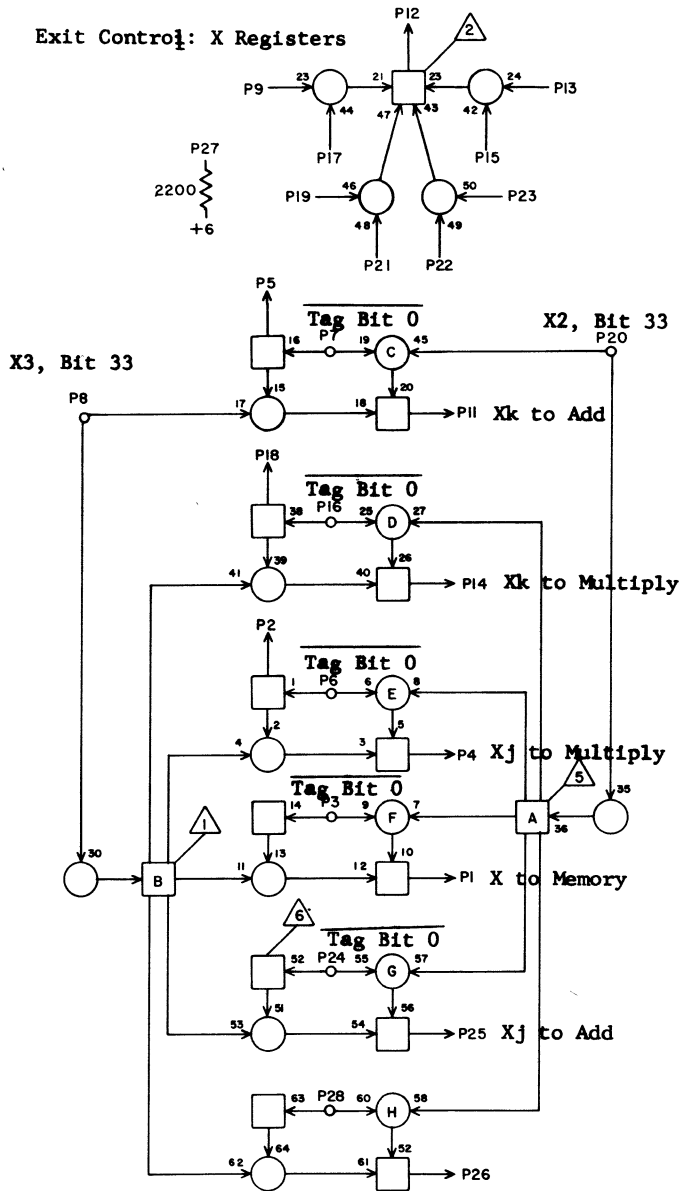
RF 7J 5			
JACK	PIN	LG	
1	E 5	19	21
2	I 5	28	3
3	I 5	5	7
4	J33	19	27
5	I 5	3	7
6	F 8	1	19
7	F 5	1	19
8	G24	27	23
9			
10			
11	N41	20	37
12			
13			
14	H33	19	29
15			
16	F 6	28	17
17			
18	I 5	24	5
19			
20	G13	27	17
21			
22			
23			
24	I 5	18	7
25	N 8	19	19
26			
27			
28	I 5	2	9

Exit Control: X Registers



RF 7J 6			
JACK	PIN	LG	
1	E 6	19	21
2	I 6	28	3
3	I 6	5	7
4	J33	28	27
5	I 6	3	7
6	F 8	8	19
7	F 5	8	19
8	G25	11	23
9			
10			
11	N41	16	37
12			
13			
14	H33	28	29
15			
16	F 6	21	17
17			
18	I 6	24	5
19			
20	G14	11	17
21			
22			
23			
24	I 6	18	7
25	N 9	19	19
26			
27	K 6	13	5
28	I 6	2	9

Exit Control: X Registers



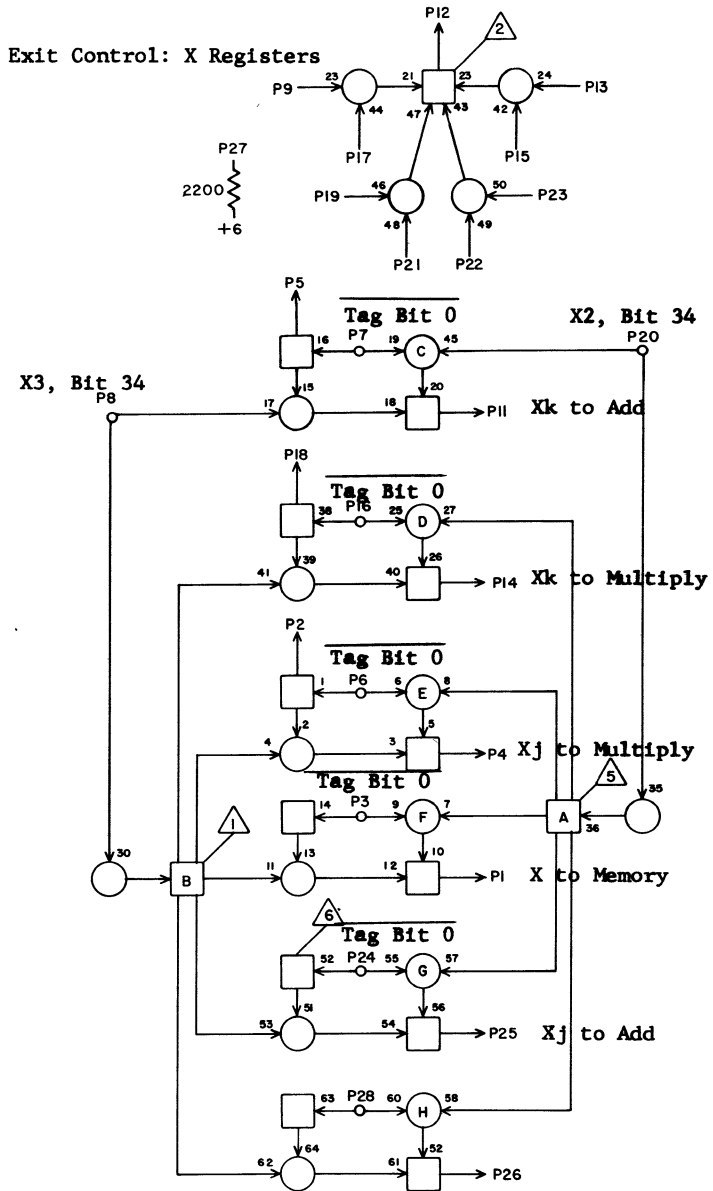
RF 7J 7

1	E 7	19	21
2	I 7	28	3
3	I 7	5	7
4	J34	7	27
5	I 7	3	7
6	F 8	10	19
7	F 5	10	19
8	G25	16	23
9			
10			
11	N42	4	37
12			
13			
14	H34	7	27
15			
16	F 6	19	19
17			
18	I 7	24	5
19			
20	G14	16	17
21			
22			
23			
24	I 7	18	7
25	N10	19	19
26			
27	K 7	13	5
28	I 7	2	9

JACK PIN LG

63017300 Rev. E

Exit Control: X Registers



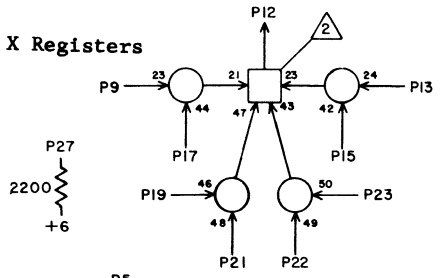
RF 7J 8

1	E 8	19	21
2	I 8	28	3
3	I 8	5	7
4	J34	19	27
5	I 8	3	7
6	F 8	12	19
7	F 5	12	19
8	G25	26	23
9			
10			
11	N42	20	37
12			
13			
14	H34	19	27
15			
16	F 6	17	19
17			
18	I 8	24	5
19			
20	G14	26	15
21			
22			
23			
24	I 8	18	7
25	N11	19	19
26			
27			
28	I 8	2	9

JACK PIN LG

63017300 Rev. E

Exit Control: X Registers

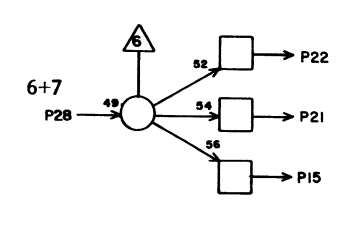
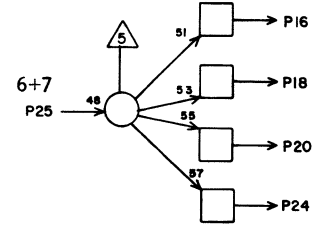
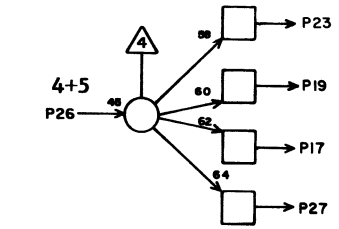
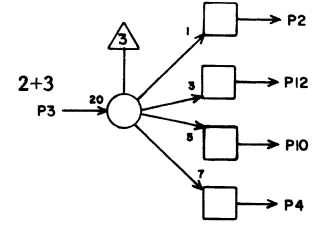
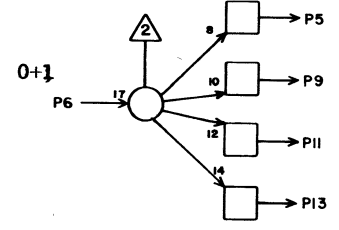
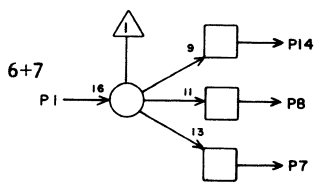


RF 7J 9

1	E 9	19	21
2	I 9	28	3
3	I 9	5	7
4	J34	28	25
5	I 9	3	7
6	F 8	2	19
7	F 5	2	19
8	G25	27	21
9			
10			
11	N42	16	35
12			
13			
14	H34	28	25
15			
16	F 6	27	17
17			
18	I 9	24	5
19			
20	G14	27	15
21			
22			
23			
24	I 9	18	7
25	N12	19	19
26			
27			
28	I 9	2	9

JACK PIN LG

Exit Control X to Increment

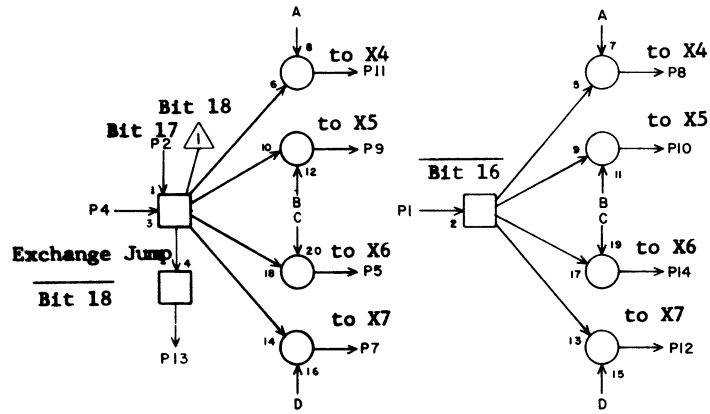


TH 7J10

1	J10	18	3
2			
3	L13	13	13
4			
5			
6	L13	15	13
7	H 6	13	11
8	H 5	13	11
9	I10	1	7
10	I10	6	7
11	I10	28	5
12	I10	25	5
13			
14	H 4	13	13
15	H 9	13	15
16			
17	I10	26	5
18	J10	1	3
19	I10	3	7
20	J10	28	3
21	H 8	13	13
22	H 7	13	13
23			
24			
25	L13	12	11
26	L13	9	11
27			
28	J10	20	3

JACK PIN LG

Entry Control: Exchange Jump  
Increment to X (Sign Extension)

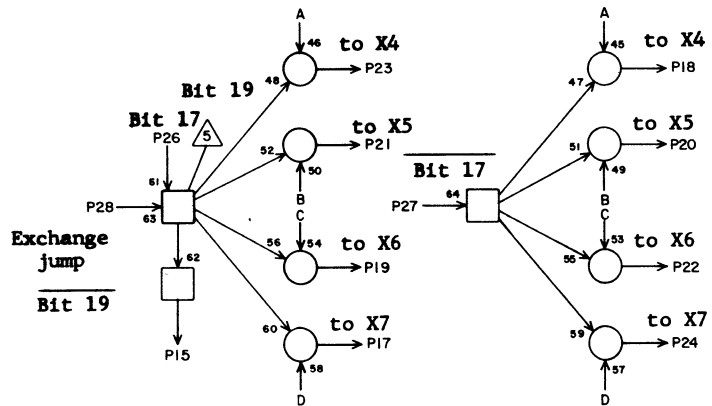


Increment to X7 P6 → → 2

Increment to X6 P3 → → 3

Increment to X4 P16 → → 4

Increment to X5 P25 → → 6



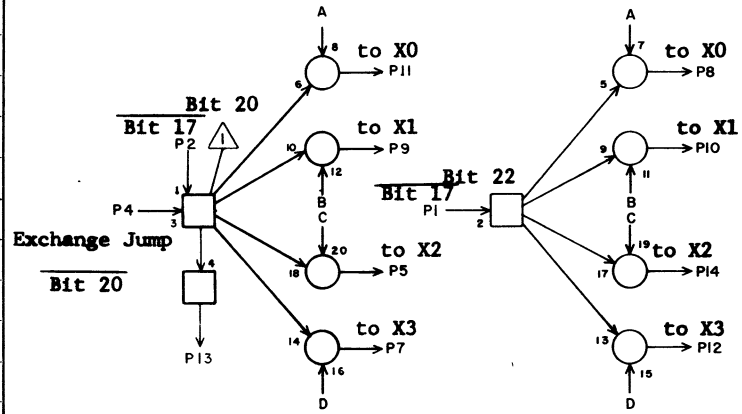
RC 7J11

1	H23	13	17
2	G42	10	33
3	K19	11	11
4	B40	11	41
5	N20	28	21
6	K19	17	11
7	O20	28	23
8	L20	9	15
9	M20	28	17
10	M20	9	17
11	L20	28	15
12	O20	9	23
13	H23	1	17
14	N20	9	21
15	H23	27	17
16	K18	11	11
17	O20	19	23
18	L20	15	15
19	N20	19	21
20	M20	15	17
21	M20	19	17
22	N20	15	21
23	L20	19	15
24	O20	15	23
25	K18	17	11
26	G42	12	33
27	H23	15	17
28	B40	21	41

JACK PIN LG

63017300 Rev. D

Entry Control: Exchange Jump  
Increment to X. (Sign Extension)

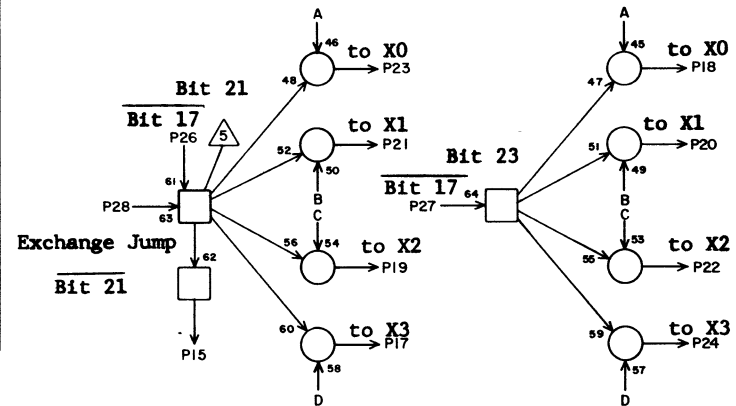


Increment to X3 P6 → → 2

Increment to X2 P3 → → 3

Increment to X0 P16 → → 4

Increment to X1 P25 → → 6



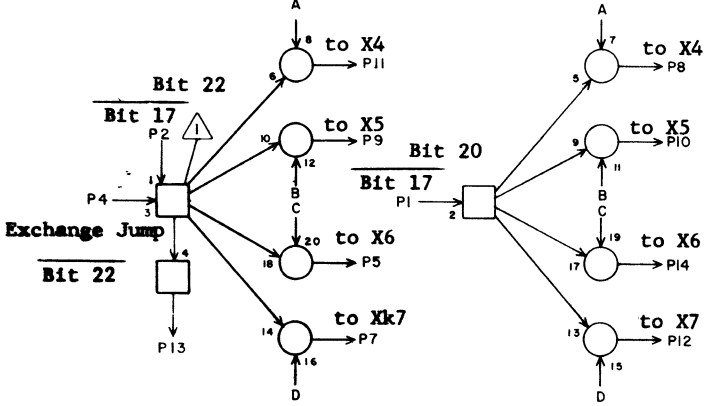
RC 7J12

1	J13	13	5
2	G41	8	29
3	H20	13	13
4	B42	10	41
5	F17	9	19
6	H20	19	13
7	G22	9	17
8	C17	28	29
9	E14	9	23
10	E14	28	23
11	C17	9	29
12	G22	28	17
13	J13	1	5
14	F17	28	19
15	J13	27	5
16	H16	13	11
17	G22	15	17
18	C17	19	29
19	F17	15	19
20	E14	19	23
21	E14	15	23
22	F17	19	19
23	C17	15	29
24	G22	19	17
25	H16	19	13
26	G42	20	33
27	J13	15	5
28	B42	20	41

JACK PIN LG

63017300 Rev. B

Entry Control: Exchange Jump  
Increment to X (Sign Extension)

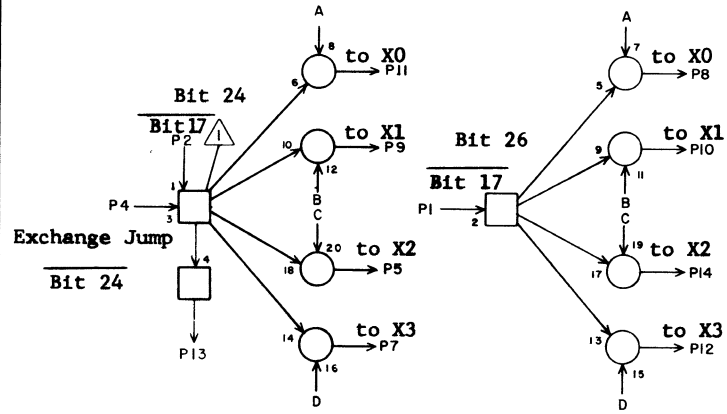


RC 7J13

1	J12	13	5
2	G42	28	29
3	K19	13	11
4	B42	11	39
5	N22	28	21
6	K19	19	11
7	O22	28	23
8	L22	9	15
9	M22	28	17
10	M22	9	17
11	L22	28	15
12	O22	9	23
13	J12	1	5
14	N22	9	21
15	J12	27	5
16	K18	13	9
17	O22	19	23
18	L22	15	15
19	N22	19	21
20	M22	15	17
21	M22	19	17
22	N22	15	21
23	L22	19	15
24	O22	15	23
25	K18	19	9
26	G42	24	31
27	J12	15	5
28	B42	21	41

JACK PIN LG

Entry Control: Exchange Jump  
Increment to X (Sign Extension)



RC 7J14

1	J15	13	5
2	G41	10	29
3	H20	8	13
4	C38	10	37
5	G12	9	15
6	H20	21	13
7	G23	9	17
8	D12	28	25
9	E15	9	23
10	E15	28	23
11	D12	9	25
12	G23	28	17
13	J15	1	5
14	G12	28	15
15	J15	27	5
16	H16	8	11
17	G23	15	17
18	D12	19	25
19	G12	15	15
20	E15	19	23
21	E15	15	23
22	G12	19	15
23	D12	15	25
24	G23	19	17
25	H16	21	13
26	G42	22	29
27	J15	15	5
28	C38	20	37

JACK PIN LG

Increment to X7 P6 → 21 → D → 2

Increment to X6 P3 → 22 → C → 3

Increment to X4 P16 → 43 → A → 4

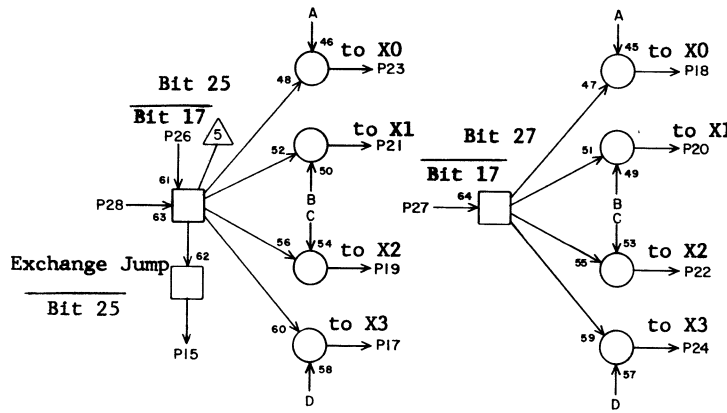
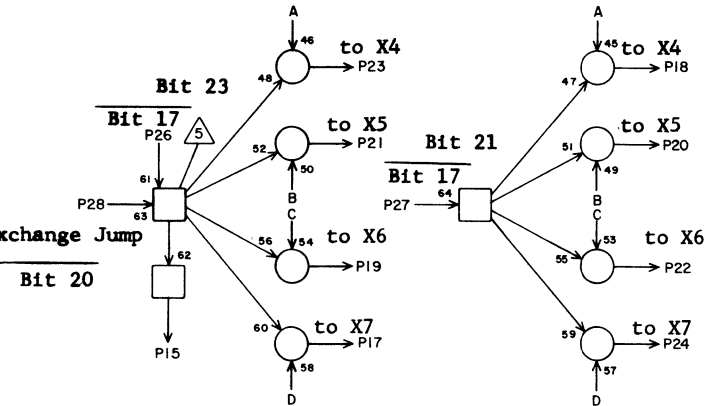
Increment to X5 P25 → 44 → B → 6

Increment to X3 P6 → 21 → D → 2

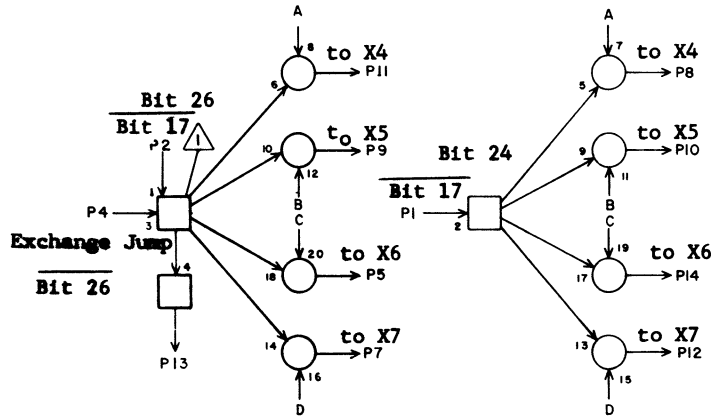
Increment to X2 P3 → 22 → C → 3

Increment to X0 P16 → 43 → A → 4

Increment to X1 P25 → 44 → B → 6



Entry Control: Exchange Jump  
Increment to X (Sign Extension)

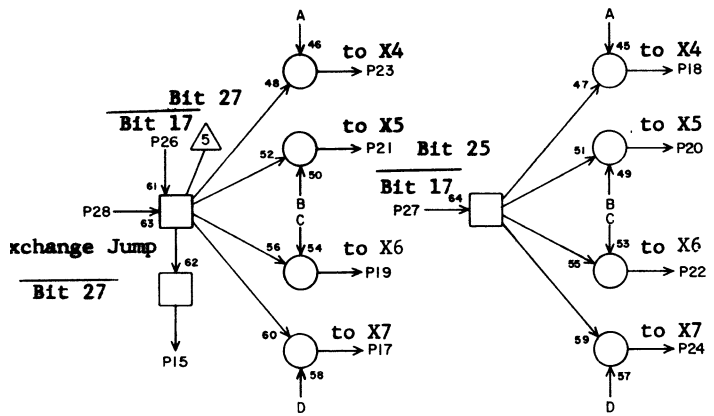


Increment to X7 P6 → 21 → D → 2

Increment to X6 P3 → 22 → C → 3

Increment to X4 P16 → 43 → A → 4

Increment to X5 P25 → 44 → B → 6



Increment to X7 P6 → 21 → D → 2

Increment to X6 P3 → 22 → C → 3

Increment to X4 P16 → 43 → A → 4

Increment to X5 P25 → 44 → B → 6

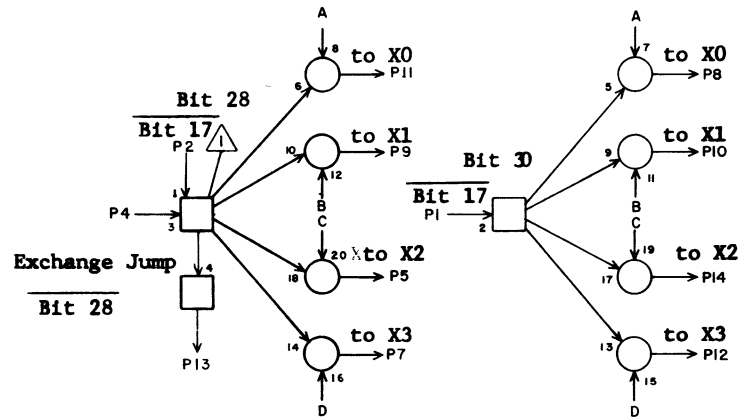
RC 7J15

1	J14	13	5
2	G41	12	27
3	K19	8	9
4	C38	11	37
5	N23	28	21
6	K19	21	9
7	O23	28	23
8	L23	9	15
9	M23	28	17
10	M23	9	17
11	L23	28	15
12	O23	9	23
13	J14	1	5
14	N23	9	21
15	J14	27	5
16	K18	8	7
17	O23	19	23
18	L23	15	15
19	N23	19	21
20	M23	15	17
21	M23	19	17
22	N23	15	21
23	L23	19	15
24	O23	15	23
25	K18	21	7
26	G42	2	29
27	J14	15	5
28	C38	21	37

JACK PIN LG

63017300 Rev. D

Entry Control: Exchange Jump  
Increment to X (Sign Extension)

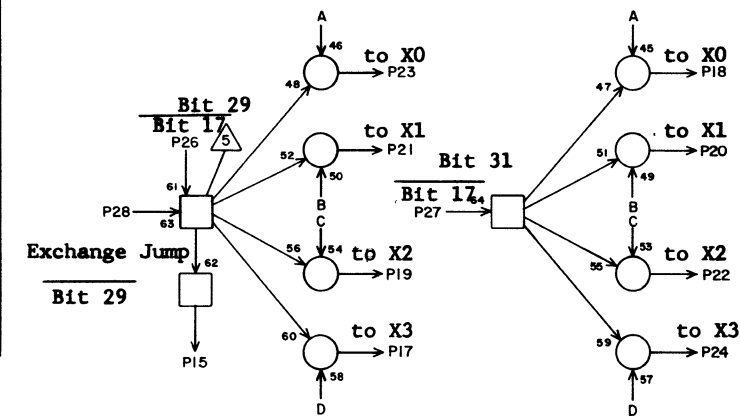


Increment to X3 P6 → 21 → D → 2

Increment to X2 P3 → 22 → C → 3

Increment to X0 P16 → 43 → A → 4

Increment to X1 P25 → 44 → B → 6



Increment to X3 P6 → 21 → D → 2

Increment to X2 P3 → 22 → C → 3

Increment to X0 P16 → 43 → A → 4

Increment to X1 P25 → 44 → B → 6

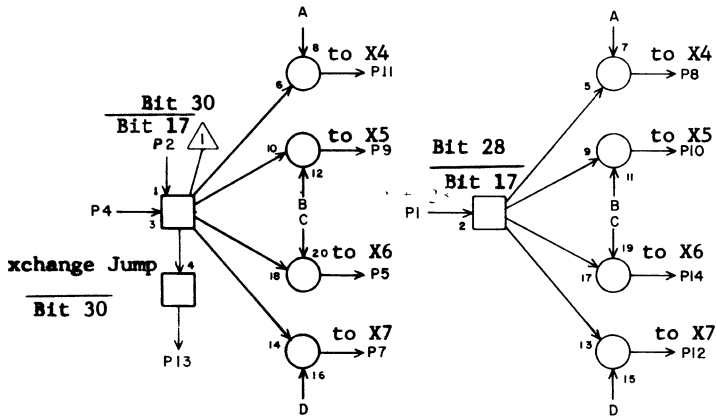
RC 7J16

1	J17	13	5
2	G42	11	29
3	H20	10	11
4	C40	10	37
5	G13	9	15
6	H20	24	11
7	G24	9	17
8	D13	28	27
9	E16	9	23
10	E16	28	23
11	D13	9	27
12	G24	28	17
13	J17	1	5
14	G13	28	15
15	J17	27	5
16	H16	10	11
17	G24	15	17
18	D13	19	27
19	G13	15	15
20	E16	19	23
21	E16	15	23
22	G13	19	15
23	D13	15	27
24	G24	19	17
25	H16	24	13
26	G42	14	29
27	J17	15	5
28	C40	20	37

JACK PIN LG

63017300 Rev. D

Entry Control: Exchange Jump  
Increment to X (Sign Extension)



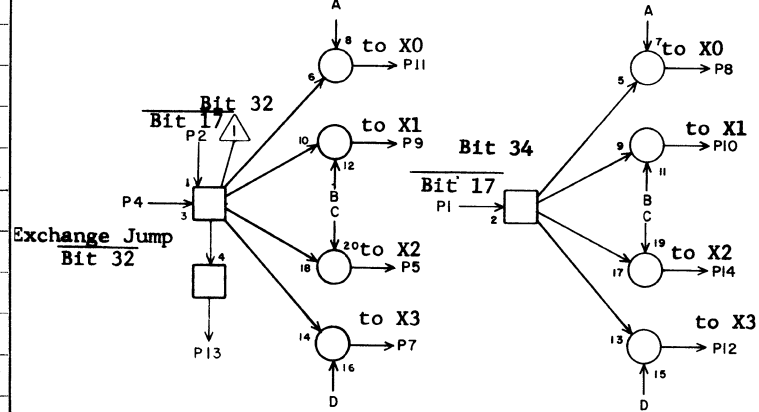
RC **7J17**

1	J16	13	5
2	G42	9	27
3	K19	10	9
4	C40	11	37
5	N24	28	21
6	K19	24	9
7	O24	28	23
8	L24	9	13
9	M24	28	17
10	M24	9	17
11	L24	28	13
12	O24	9	23
13	J16	1	5
14	N24	9	19
15	J16	27	5
16	K18	10	7
17	O24	19	23
18	L24	15	13
19	N24	19	19
20	M24	15	17
21	M24	19	17
22	N24	15	19
23	L24	19	13
24	O24	15	23
25	K18	24	7
26	G42	26	27
27	J16	15	5
28	C40	21	37

JACK PIN LG

63017300 Rev. D

Entry Control: Exchange Jump  
Increment to X (Sign Extension)



RC

**7J18**

1	J19	13	5
2	G42	21	27
3	H20	12	11
4	C42	10	37
5	G14	9	15
6	H20	26	11
7	G25	9	15
8	D14	28	27
9	E17	9	23
10	E17	28	23
11	D14	9	27
12	G25	28	15
13	J19	1	5
14	G14	28	15
15	J19	27	5
16	H16	12	11
17	G25	15	15
18	D14	19	29
19	G14	15	15
20	E17	19	23
21	E17	15	23
22	G14	19	15
23	D14	15	27
24	G25	19	15
25	H16	26	13
26	G42	19	27
27	J19	15	5
28	C42	20	37

JACK PIN LG

63017300 Rev. D

Increment to X7 P6  $\xrightarrow{21}$  D  $\xrightarrow{2}$

Increment to X6 P3  $\xrightarrow{22}$  C  $\xrightarrow{3}$

Increment to X4 P16  $\xrightarrow{43}$  A  $\xrightarrow{4}$

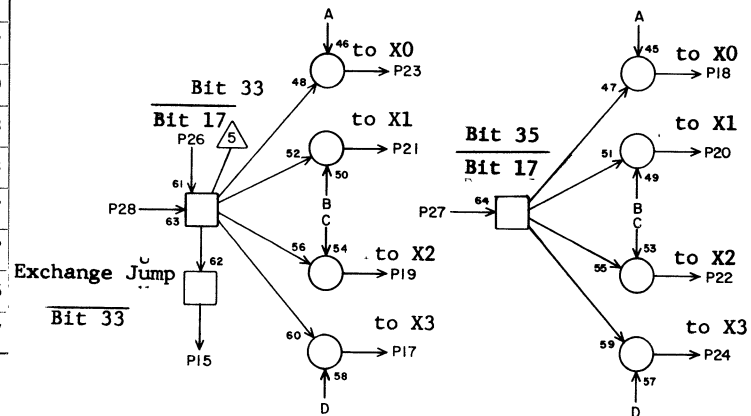
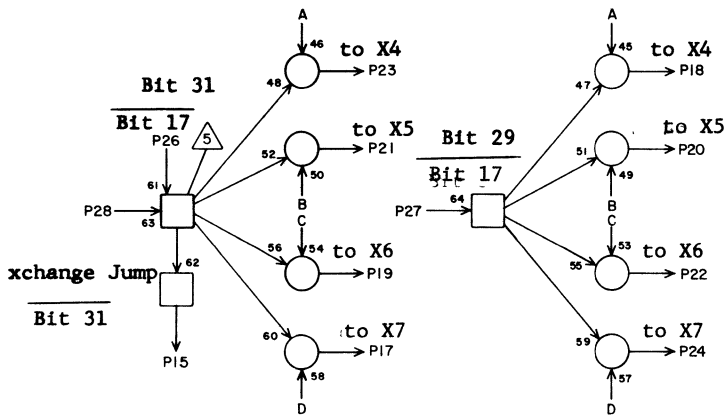
Increment to X5 P25  $\xrightarrow{44}$  B  $\xrightarrow{6}$

Increment to X3 P6  $\xrightarrow{21}$  D  $\xrightarrow{2}$

Increment to X2 P3  $\xrightarrow{22}$  C  $\xrightarrow{3}$

Increment to X0 P16  $\xrightarrow{43}$  A  $\xrightarrow{4}$

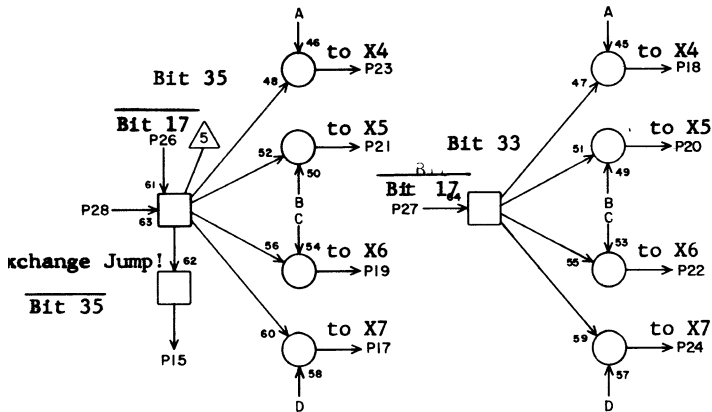
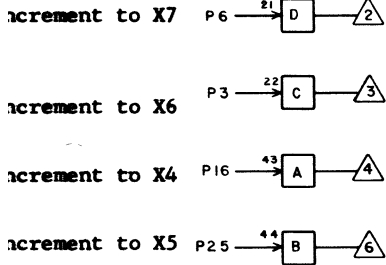
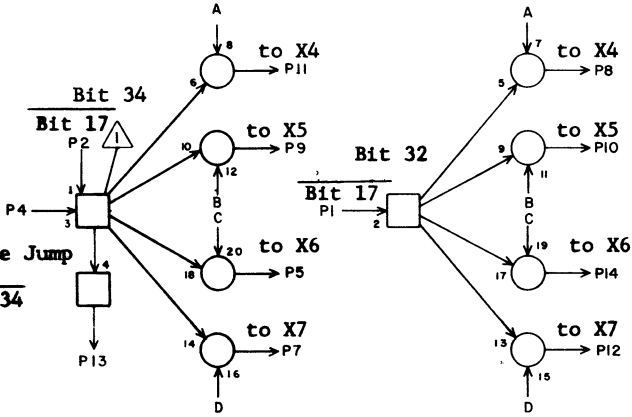
Increment to X1 P25  $\xrightarrow{44}$  B  $\xrightarrow{6}$



7J18



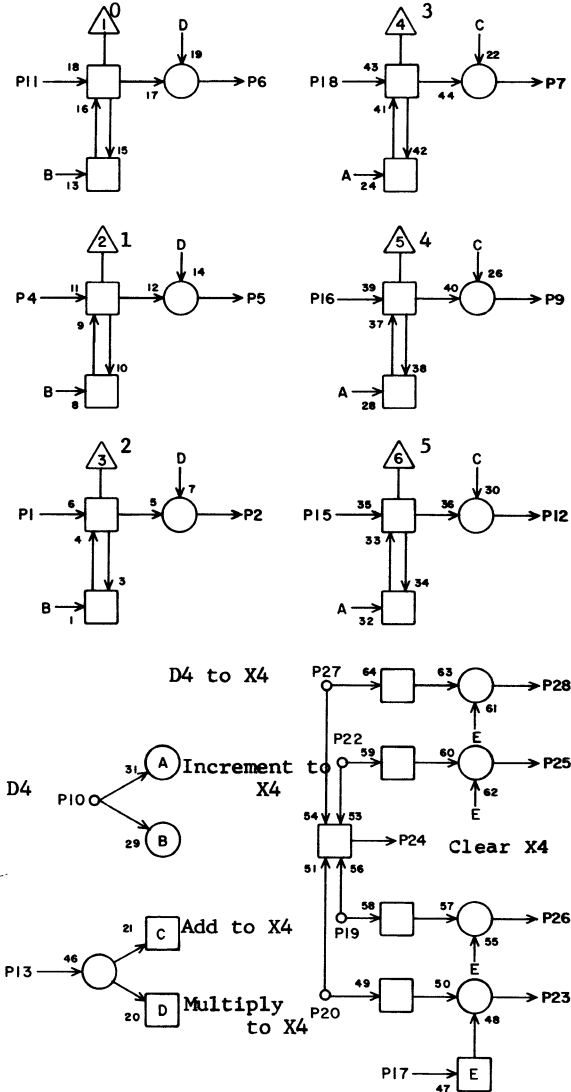
Entry Control: Exchange Jump  
Increment to X, (Sign Extension)



RC 7J19			
JACK	PIN	LG	
1	J18	13	5
2	G42	17	27
3	K19	12	9
4	C42	11	37
5	N25	28	19
6	K19	26	9
7	O25	28	23
8	L25	9	13
9	M25	28	17
10	M25	9	15
11	L25	28	13
12	O25	9	23
13	J18	1	5
14	N25	9	19
15	J18	27	5
16	K18	12	7
17	O25	19	23
18	L25	15	13
19	N25	19	19
20	M25	15	15
21	M25	19	15
22	N25	15	19
23	L25	19	13
24	O25	15	23
25	K18	26	7
26	G42	18	27
27	J18	15	5
28	C42	21	37

63017300 Rev. D

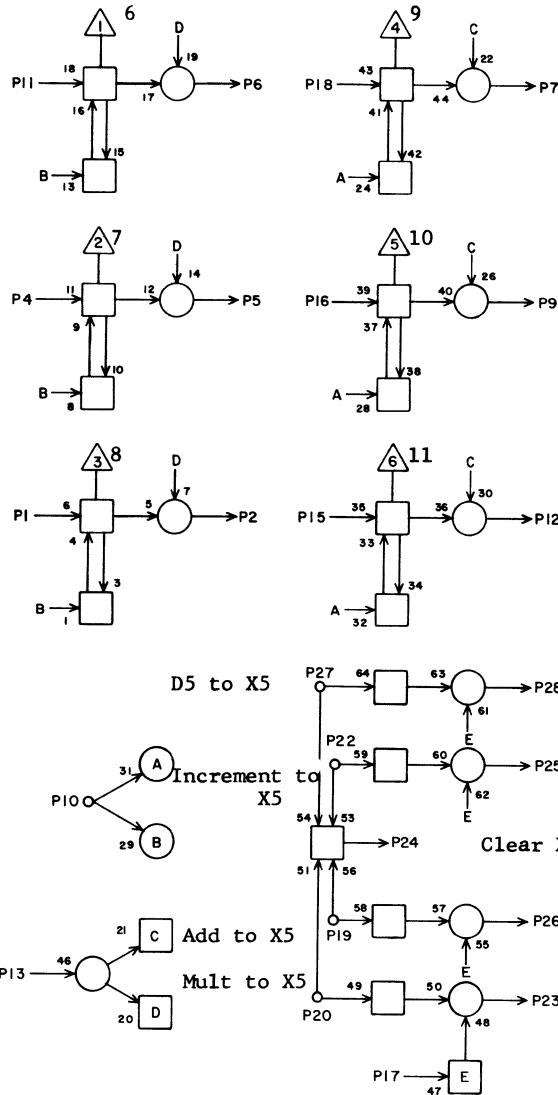
Entry Control  
Register D4



RE 7J20			
JACK	PIN	LG	
1	A38	13	39
2	L16	20	11
3			
4	A38	18	39
5	L16	14	11
6	L16	1	11
7	L16	25	11
8			
9	L17	1	11
10	K20	2	7
11	A38	8	39
12	L17	14	11
13	K23	15	9
14			
15	A40	18	41
16	A40	8	41
17	I19	15	7
18	A38	23	39
19	I28	6	11
20	G27	6	17
21			
22	H28	6	15
23	E32	5	84
24	N21	5	19
25	K18	5	7
26	I41	5	23
27	G36	7	23
28	K23	3	7

63017300 Rev. L

Entry Control Register D4

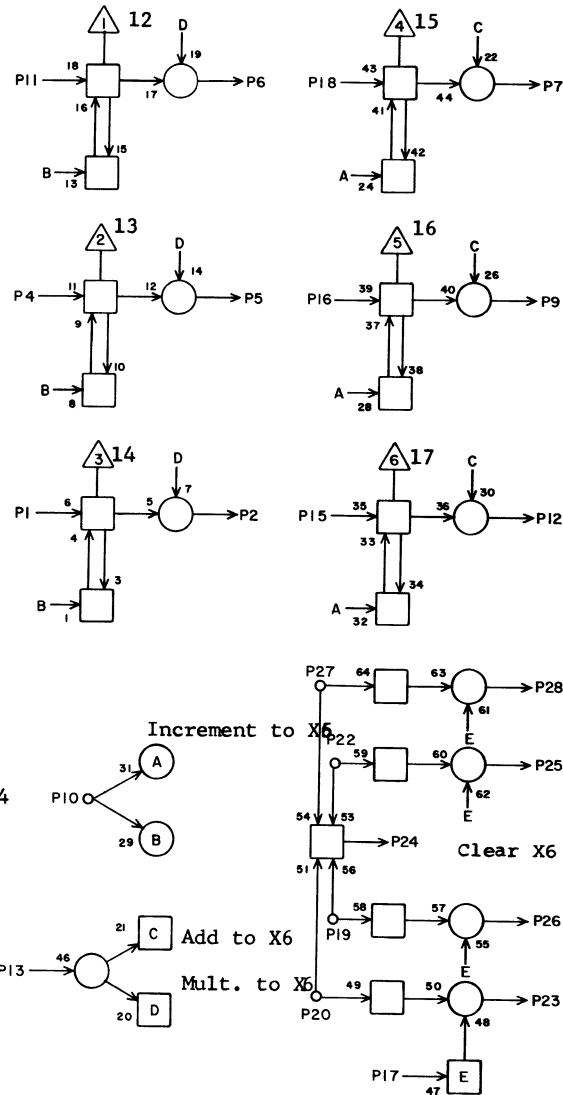


RE 7J21

1	A42	8	39
2	L18	1	11
3			
4	A40	23	39
5	L17	25	13
6	L17	20	13
7	L18	14	11
8			
9	L18	20	11
10	K20	4	7
11	A40	13	39
12	L18	25	11
13	K23	7	7
14			
15	A42	23	39
16	A42	13	39
17	I19	7	9
18	A42	18	39
19	I28	11	11
20	G27	11	15
21			
22	H28	11	13
23	E32	25	84
24	N21	25	19
25	K18	25	9
26	I41	25	21
27	G36	9	23
28	D19	3	29

JACK PIN LG

Entry Control Register D4

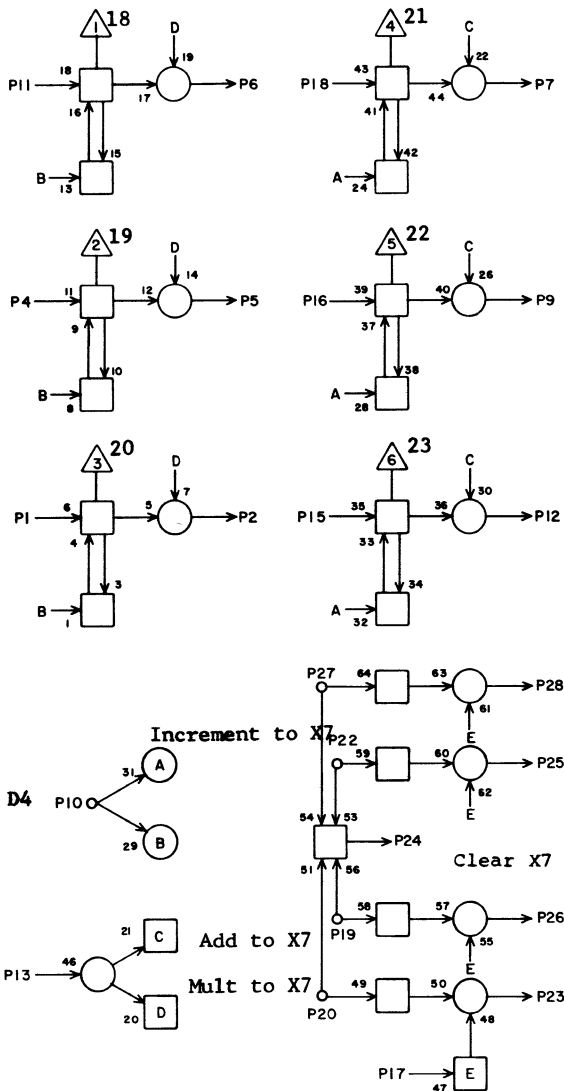


RE 7J22

1	B38	13	37
2	L19	20	11
3			
4	B38	18	35
5	L19	14	11
6	L19	1	11
7	L19	25	11
8			
9	L20	1	11
10	K20	6	7
11	B38	8	37
12	L20	14	11
13	K23	9	7
14			
15	B40	18	37
16	B40	8	37
17	I19	6	9
18	B38	23	37
19	I28	2	11
20	G27	2	15
21			
22	H28	2	13
23	E33	5	84
24	O21	5	23
25	K19	5	7
26	I42	5	21
27			
28			

JACK PIN LG

Entry Control Register D4

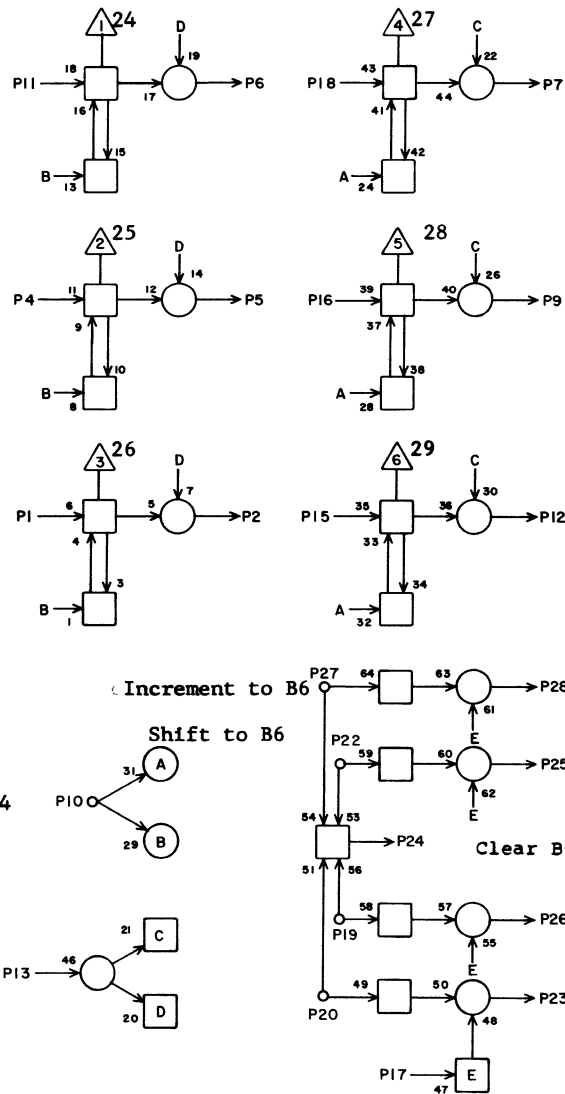


RE 7J23

1	B42	8	37
2	L22	1	11
3			
4	B40	23	37
5	L20	25	13
6	L20	20	13
7	L22	14	11
8			
9	L22	20	11
10	K20	9	7
11	B40	13	37
12	L22	25	11
13	K23	11	7
14			
15	B42	23	37
16	B42	13	37
17	I19	4	9
18	B42	18	37
19	I28	14	9
20	G27	14	15
21			
22	H28	14	13
23	E33	25	84
24	O21	25	23
25	K19	25	9
26	I42	25	21
27			
28			

JACK PIN LG

Entry Control Register D4

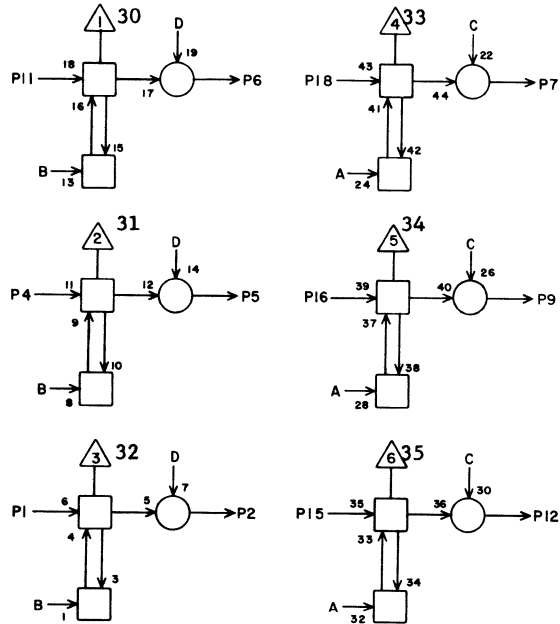


RE 7J24

1	C38	13	31
2	L23	20	11
3			
4	C38	18	31
5	L23	14	11
6	L23	1	11
7	L23	25	11
8			
9	L24	1	11
10	K20	11	9
11	C38	8	31
12	L24	14	11
13	K23	8	7
14			
15	C40	18	33
16	C40	8	33
17	I19	12	9
18	C38	23	31
19			
20			
21			
22	K34	2	13
23			
24	Q12	5	29
25	P37	25	27
26			
27	K33	2	11
28	N28	25	19

JACK PIN LG

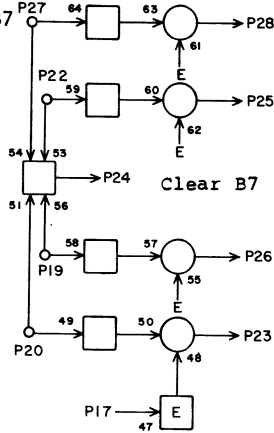
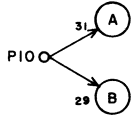
Entry Control Register D4



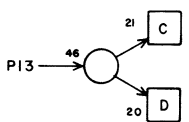
Increment to B7

Shift to B7

Clear D4



Transfer 4 to X4

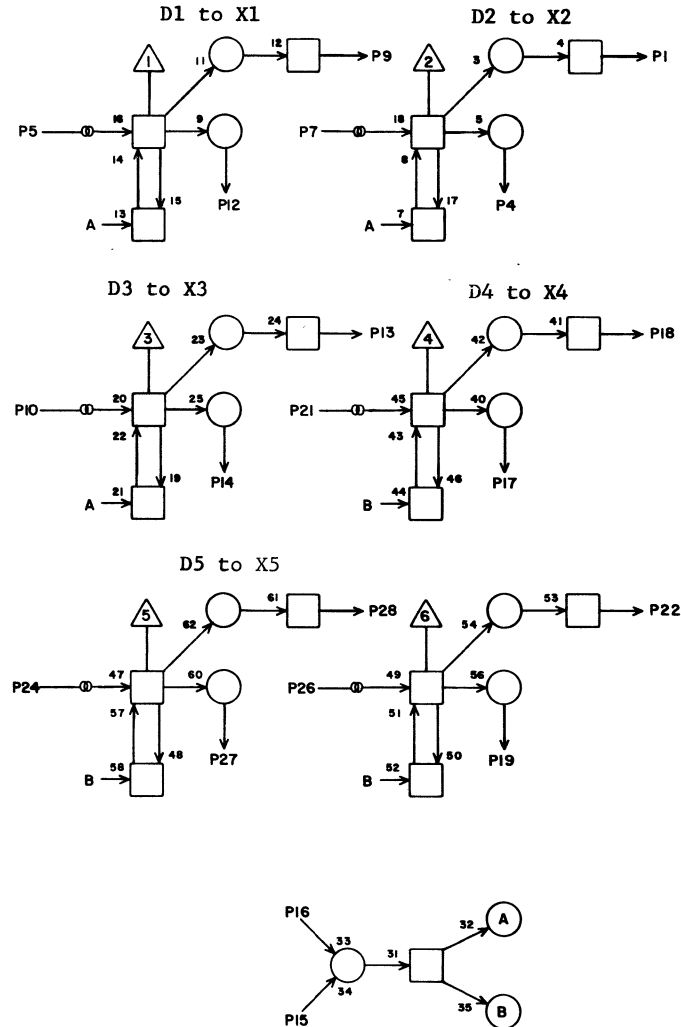


RE 7J25

1	C42	8	31
2	L25	1	11
3			
4	C40	23	31
5	L24	25	13
6	L24	20	13
7	L25	14	11
8			
9	L25	20	11
10	K20	13	9
11	C40	13	31
12	L25	25	11
13	K23	10	7
14			
15	C42	23	31
16	C42	13	31
17	I19	2	11
18	C42	18	31
19			
20			
21			
22	K34	14	13
23			
24	Q12	25	31
25	P37	26	27
26			
27	K33	14	11
28	N28	26	19

JACK PIN LG

Entry Control D to X

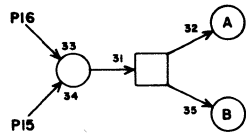
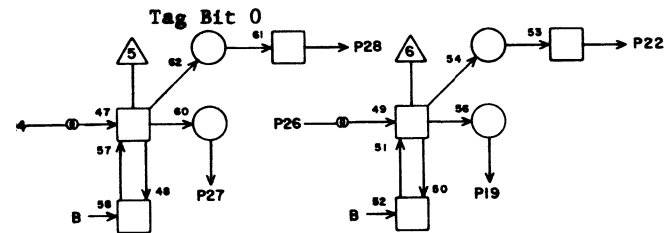
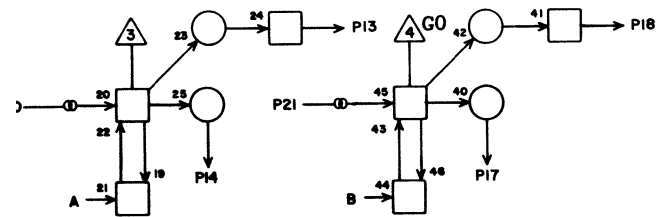
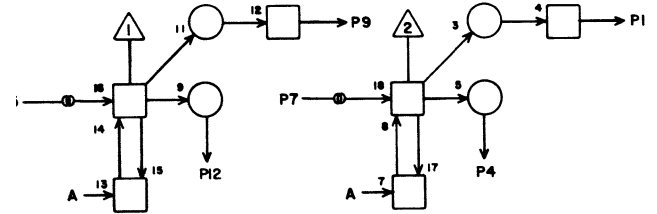


PI 7J26

1	L26	11	13
2			
3			
4	G28	19	15
5	W20	900	
6			
7	W20	901	
8			
9	L26	9	11
10	W20	902	
11			
12	G28	24	15
13	L26	13	15
14	G28	26	15
15	I15	28	15
16			
17	G28	20	15
18	L26	18	11
19			
20			
21	W20	903	
22			
23			
24	W20	98	
25			
26			
27	G36	27	17
28	L26	20	11

JACK PIN LG

Exit Control: X Registers  
X to Increment



PI 7J27

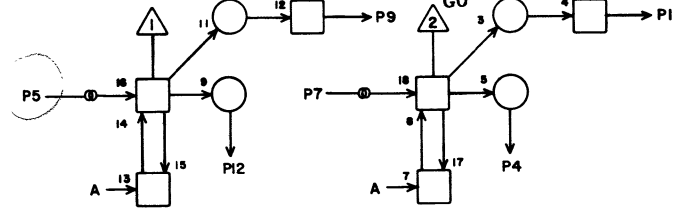
1			
2			
3			
4			
5			
6			
7			
8			
9			
10			
11			
12			
13			
14			
15	GND		2
16	I15	17	15
17			
18	I25	14	180
19			
20			
21	W19	95	
22			
23			
24	W18	90	
25			
26			
27	K 6	28	21
28			

JACK PIN LG

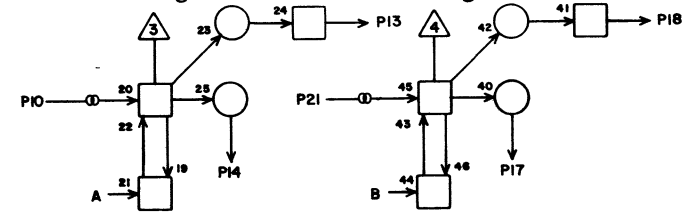
63017300 Rev. D

Exit Control: X Registers

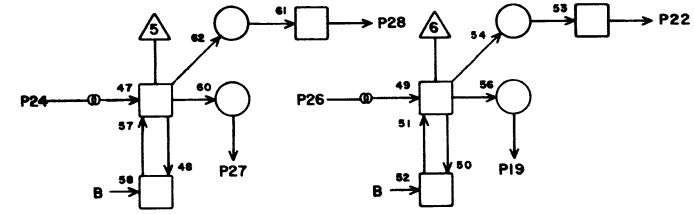
X to Increment  
Tag Bit 1



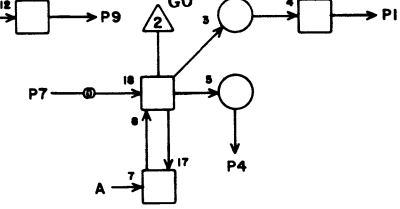
X to Increment  
Tag Bit 2



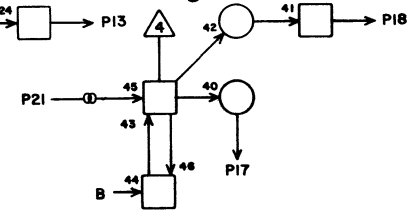
Xj to Add  
Tag Bit 2



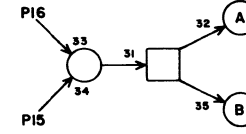
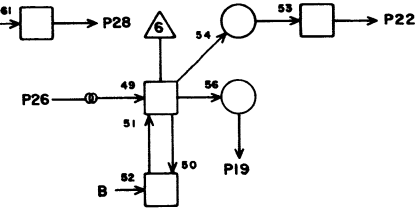
Xj to Add  
Tag Bit 1



Xj to Add  
Tag Bit 1



Xj to Add  
Tag Bit 0



PI 7J28

1	N34	14	180
2			
3			
4			
5	W18	91	
6			
7	W18	900	
8			
9			
10	W18	92	
11			
12	I13	6	19
13			
14	I13	8	19
15	GND		2
16	I15	19	15
17	M13	6	21
18			
19	K 6	16	23
20			
21	W18	902	
22			
23			
24	W18	903	
25			
26	W18	901	
27	M13	8	21
28			

JACK PIN LG

63017300 Rev. D

Exit Control  
Xj to Multiply

RG 7J29

1			
2	P 6	4	33
3	W13	90	
4	M 7	4	25
5			
6			
7	I 1	26	27
8	D 1	26	35
9	I35	18	11
10	I35	13	11
11	J35	18	9
12	J35	13	9
13			
14			
15			
16	M 9	4	23
17	P 7	4	33
18			
19	I 2	26	27
20	M 8	4	23
21	W13	92	
22	D 2	26	35
23			
24	D 3	26	37
25	W13	91	
26	P 8	4	31
27			
28	I 3	26	25

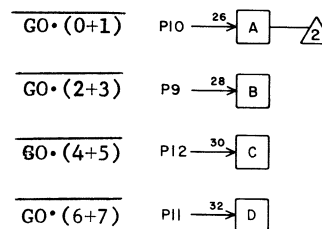
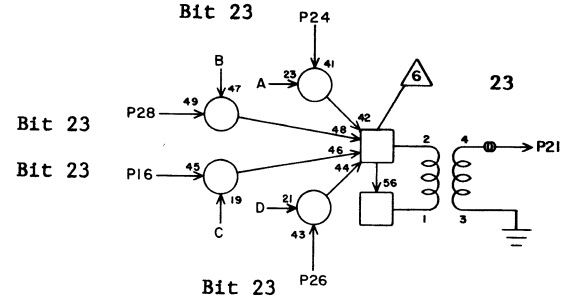
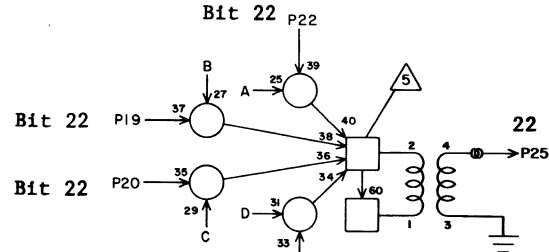
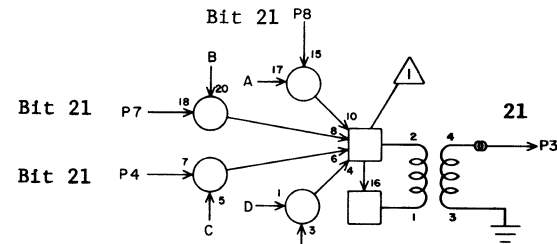
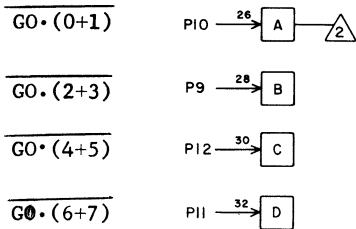
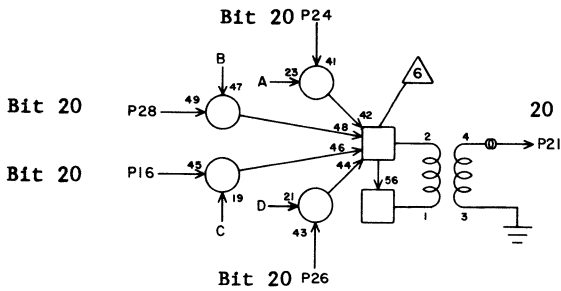
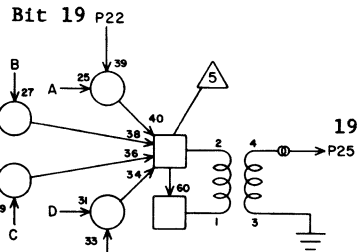
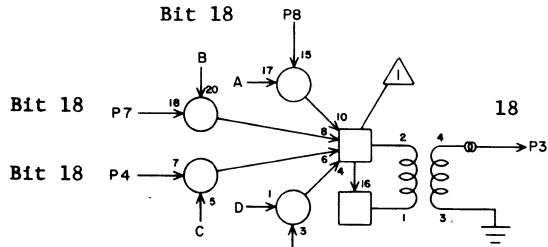
JACK PIN LG

Exit Control  
Xj to Multiply

RG 7J30

1			
2	P 9	4	33
3	W13	93	
4	M10	4	23
5			
6			
7	I 4	26	25
8	D 4	26	35
9	I35	28	11
10	I35	1	11
11	J35	28	7
12	J35	1	7
13			
14			
15			
16	M12	4	21
17	P10	4	31
18			
19	I 5	26	25
20	M11	4	23
21	W13	95	
22	D 5	26	35
23			
24	D 6	26	33
25	W13	94	
26	P11	4	31
27			
28	I 6	26	25

JACK PIN LG



Exit Control  
Xj to Multiply

RG

7J31

1			
2	P12	4	31
3	W13	96	
4	N 1	26	33
5			
6			
7	I 7	26	25
8	D 7	26	33
9	I35	21	7
10	I35	8	9
11	J35	21	7
12	J35	8	7
13			
14			
15			
16	N 3	26	31
17	P13	4	29
18			
19	I 8	26	23
20	N 2	26	33
21	W13	98	
22	D 8	26	33
23			
24	D 9	26	33
25	W13	97	
26	Q 1	26	39
27			
28	I 9	26	23

JACK PIN LG

63017300 Rev. D

Exit Control  
Xj to Multiply

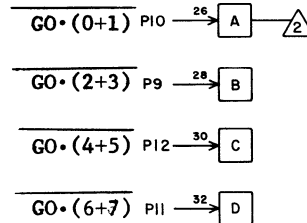
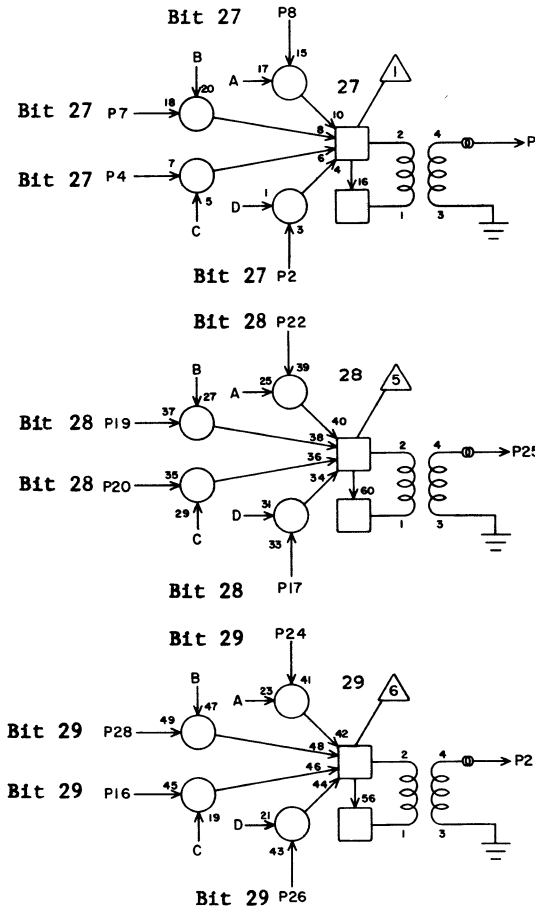
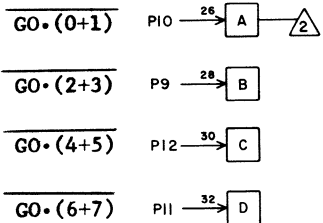
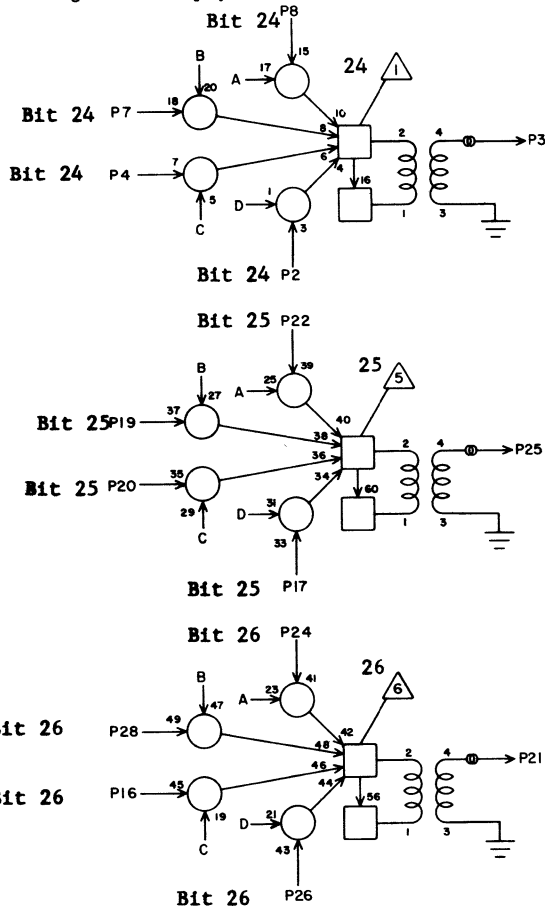
RG

7J32

1			
2	Q 2	26	39
3	W13	99	
4	N 4	26	33
5			
6			
7	J 1	4	29
8	E 1	4	35
9	I35	19	9
10	I35	10	9
11	J35	19	7
12	J35	10	5
13			
14			
15			
16	N 6	26	31
17	Q 3	26	39
18			
19	J 2	4	29
20	N 5	26	31
21	W13	901	
22	E 2	4	35
23			
24	E 3	4	35
25	W13	900	
26	Q 4	26	39
27			
28	J 3	4	27

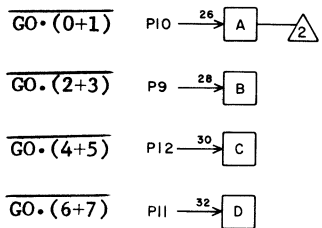
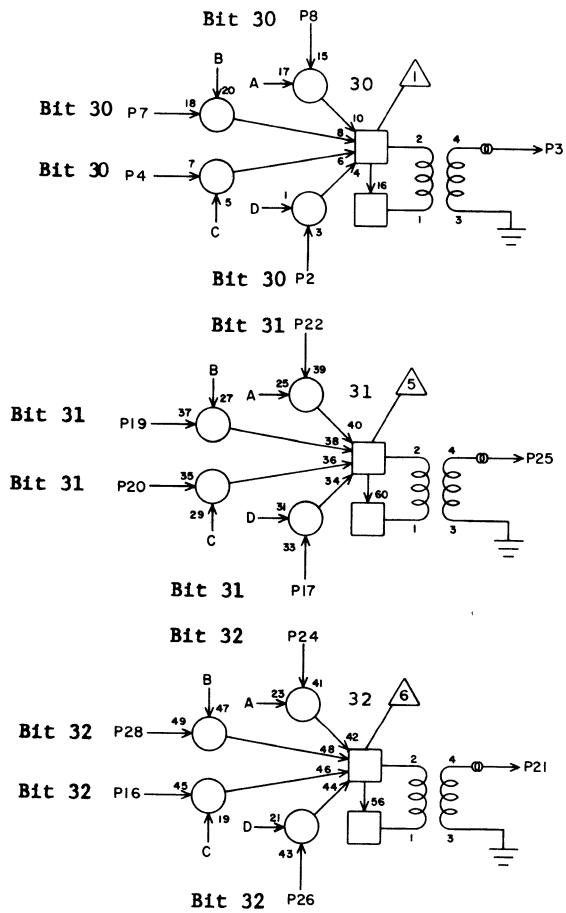
JACK PIN LG

63017300 Rev. D



Exit Control  
Xj to Multiply

RG 7J33

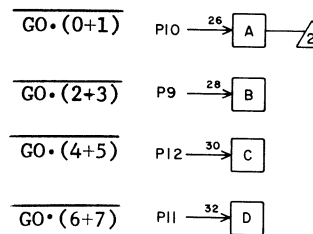
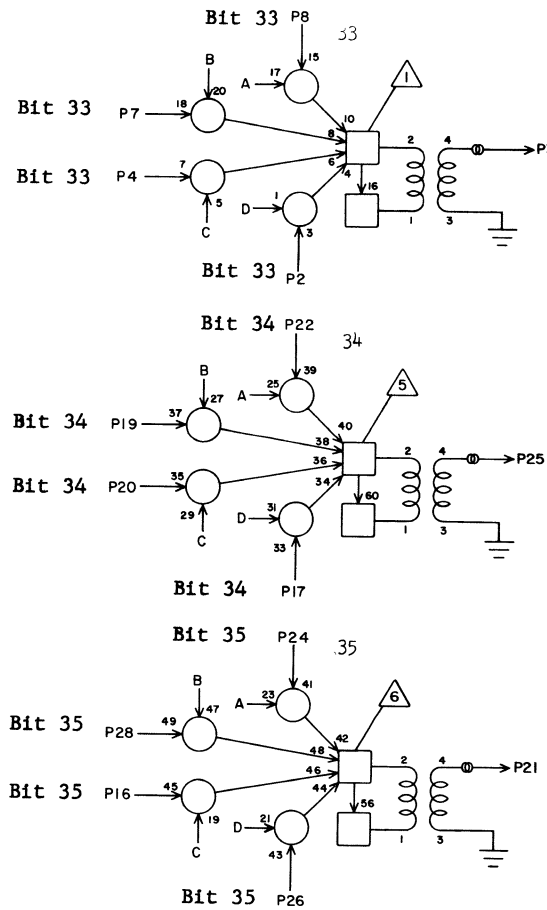


1			
2	Q 5	26	39
3	W13	902	
4	N 7	4	31
5			
6			
7	J 4	4	29
8	E 4	4	35
9	I35	17	7
10	I35	12	7
11	J35	17	5
12	J35	12	5
13			
14			
15			
16	N 9	4	29
17	Q 6	4	37
18			
19	J 5	4	27
20	NO8	4	29
21	W13	904	
22	E 5	4	35
23			
24	E 6	4	35
25	W13	903	
26	Q 7	4	35
27			
28	J 6	4	27

JACK PIN LG

Exit Control  
Xj to Multiply

RG 7J34



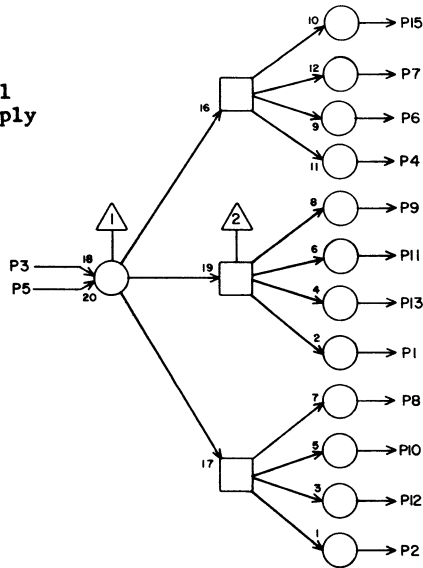
1			
2	Q 8	4	37
3	W13	905	
4	N10	4	29
5			
6			
7	J 7	4	27
8	E 7	4	35
9	I35	27	5
10	I35	2	7
11	J35	27	5
12	J35	2	5
13			
14			
15			
16	N12	4	27
17	Q 9	4	37
18			
19	J 8	4	27
20	N11	4	27
21	W13	907	
22	E 8	4	33
23			
24	E 9	4	35
25	W13	906	
26	Q10	4	35
27			
28	J 9	4	25

JACK PIN LG

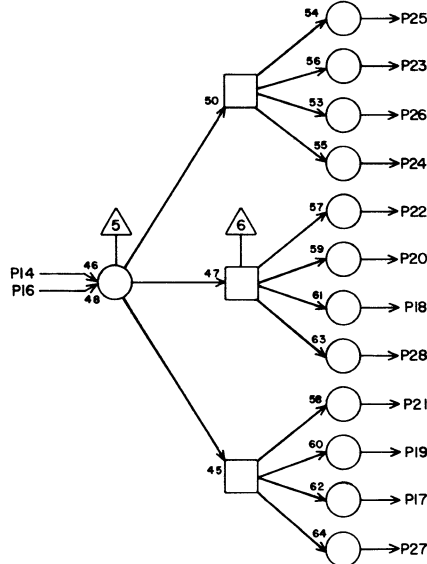


Exit Control  
Xj to Multiply

GO  
4+5



GO  
6+7



TC			
7J35			
1	J30	12	7
2	J34	12	5
3	H25	20	15
4	I32	12	9
5	H36	9	11
6	I31	12	9
7	I30	12	9
8	J31	12	7
9	I33	12	7
10	J32	12	5
11	I34	12	7
12	J33	12	5
13	J29	12	9
14	H25	22	15
15	I29	12	11
16	H36	12	11
17	J33	11	5
18	J29	11	9
19	J32	11	7
20	I34	11	7
21	J31	11	7
22	I33	11	7
23	I30	11	9
24	I32	11	9
25	I29	11	11
26	I31	11	9
27	J34	11	5
28	J30	11	7

JACK PIN LG

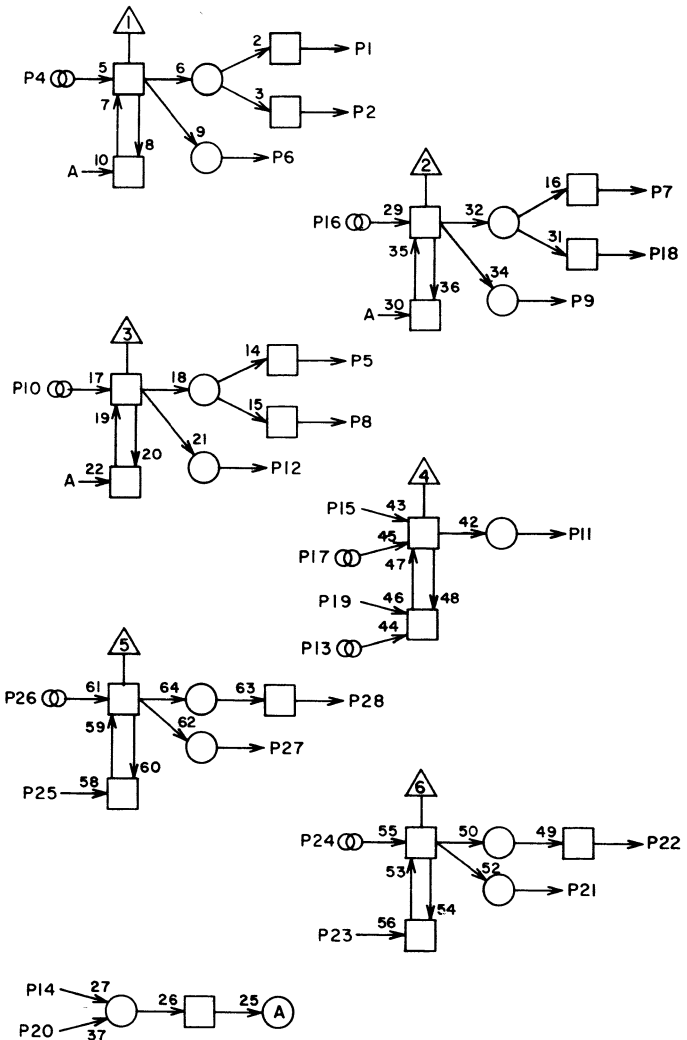
63017300 Rev. E

LS 18058300  
ASSY

A  
REV

Serials 8 and up only  
PY

7J36

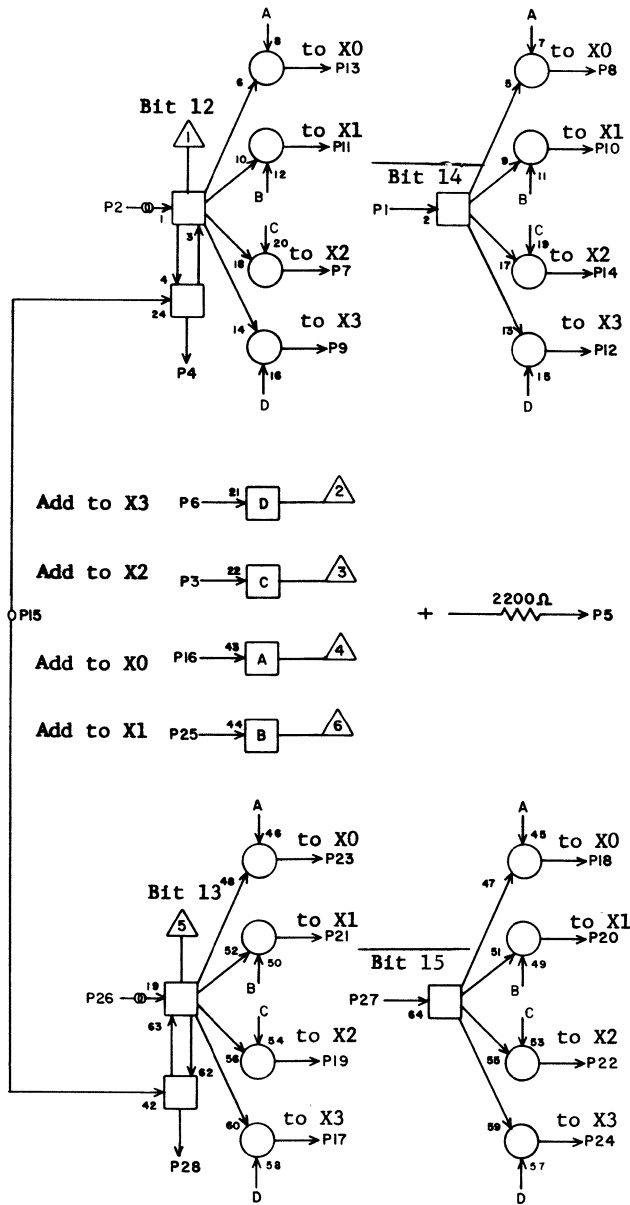


1			
2			
3			
4			
5			
6			
7			
8			
9			
10			
11	L21	5	19
12			
13	W20	91	
14			
15	GND		2
16			
17	W20	90	
18			
19	GND		2
20			
21			
22			
23			
24			
25			
26			
27			
28			

JACK PIN LG

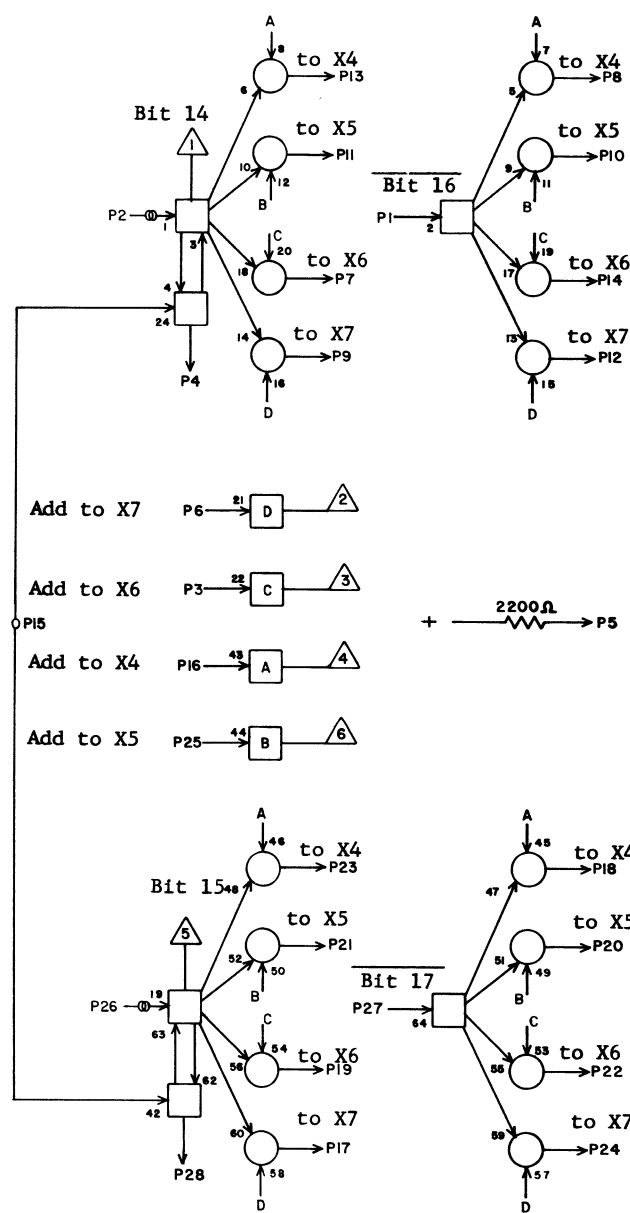
CIRCUIT SPECIFICATION  
11827600  
63017300 Rev. M

Entry Control: Trunk Add to X



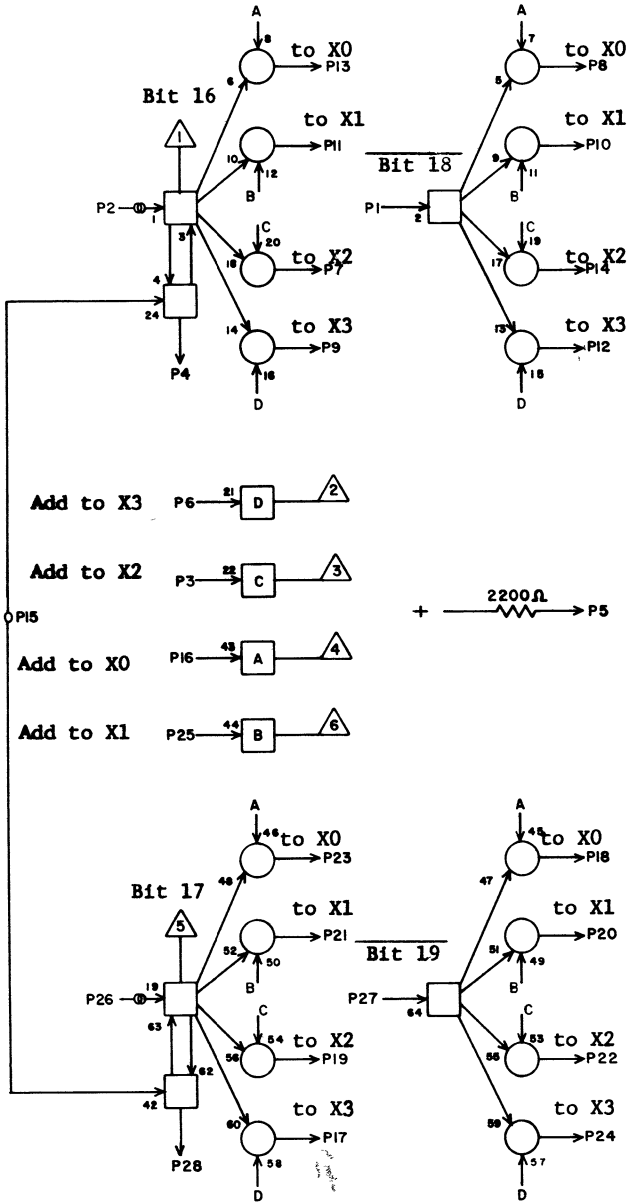
RA		7J37	
1	J38	4	3
2	W26	902	
3	I39	9	7
4	J38	1	3
5			
6	I39	22	5
7	F15	3	29
8	C15	24	37
9	G20	3	23
10	E12		33
11	E12	3	33
12	G20	24	23
13	C15	3	37
14	F15	24	29
15	I40	13	9
16	I38	9	7
17	G20	17	23
18	C15	21	37
19	F15	17	29
20	E12	21	33
21	E12	17	33
22	F15	21	29
23	C15	17	37
24	G20	21	23
25	I38	22	7
26	W26	903	
27	J38	28	3
28	J38	27	3
	JACK	PIN	LG

Entry Control: Trunk Add to X



RA		7J38	
1	J37	4	3
2	W26	904	
3	I42	9	9
4	J37	1	3
5			
6	I42	22	9
7	N19	24	25
8	L19	3	21
9	O19	24	27
10	M19	3	23
11	M19	24	23
12	O19	3	27
13	L19	24	21
14	N19	3	25
15	I40	1	7
16	I41	9	9
17	O19	21	27
18	L19	17	21
19	N19	21	25
20	M19	17	23
21	M19	21	23
22	N19	17	25
23	L19	21	21
24	O19	17	27
25	I41	22	9
26	W26	905	
27	J37	28	3
28	J37	27	3
	JACK	PIN	LG

Entry Control: Trunk  
Add to X



RA

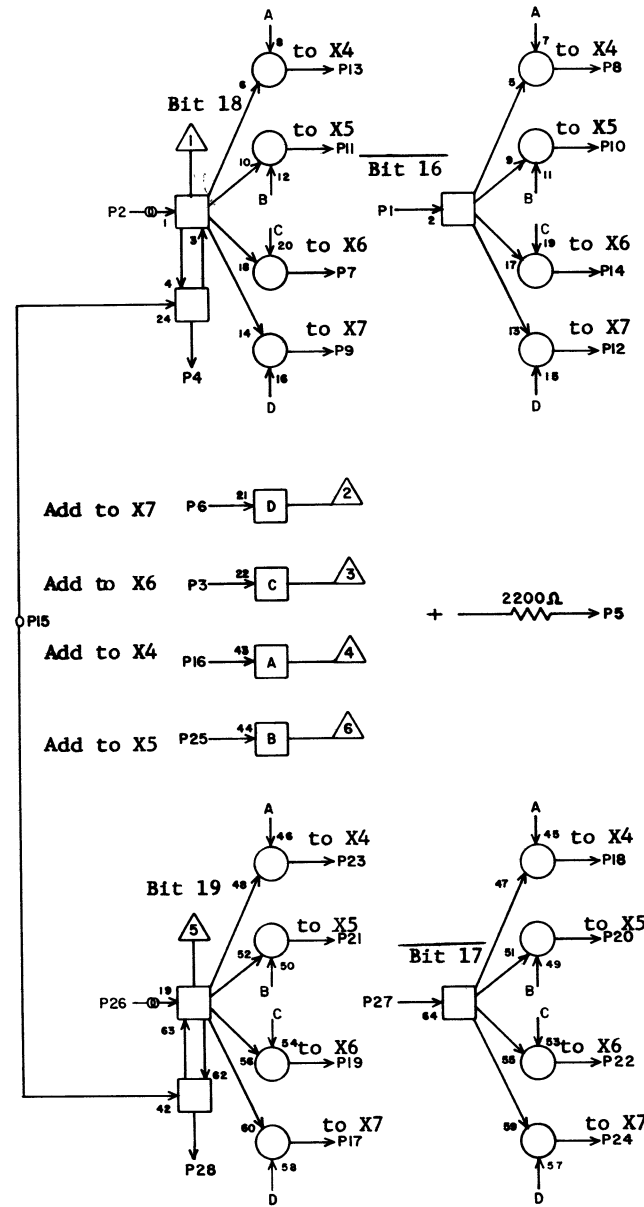
7J39

1	J40	4	3
2	W26	906	
3	I39	11	7
4	J40	1	3
5			
6	I39	17	7
7	F16	3	29
8	C16	24	37
9	G21	3	23
10	E13	24	33
11	E13	3	33
12	G21	24	23
13	C16	3	37
14	F16	24	29
15	I40	8	7
16	I38	11	7
17	G21	17	23
18	C16	21	37
19	F16	17	29
20	E13	21	33
21	E13	17	33
22	F16	21	29
23	C16	17	37
24	G21	21	23
25	I38	17	7
26	W26	907	
27	J40	28	3
28	J40	27	3

JACK PIN LG

63017300 Rev. E

Entry Control: Trunk Add to X



RA

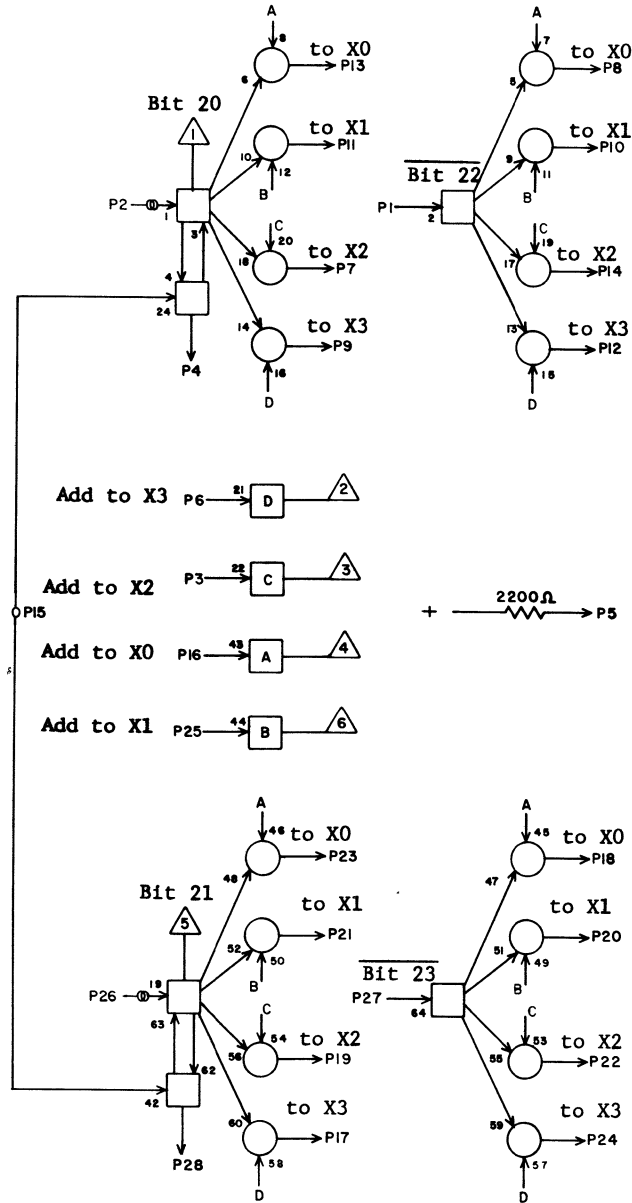
7J40

1	J39	4	3
2	W27	90	
3	I42	11	7
4	J39	1	3
5			
6	I42	17	7
7	N20	24	25
8	L20	3	21
9	O20	24	29
10	M20	3	23
11	M20	24	23
12	O20	3	27
13	L20	24	21
14	N20	3	25
15	I40	10	7
16	I41	11	7
17	O20	21	27
18	L20	17	21
19	N20	21	25
20	M20	17	23
21	M20	21	23
22	N20	17	25
23	L20	21	21
24	O20	17	27
25	I41	17	7
26	W27	91	
27	J39	28	3
28	J39	27	3

JACK PIN LG

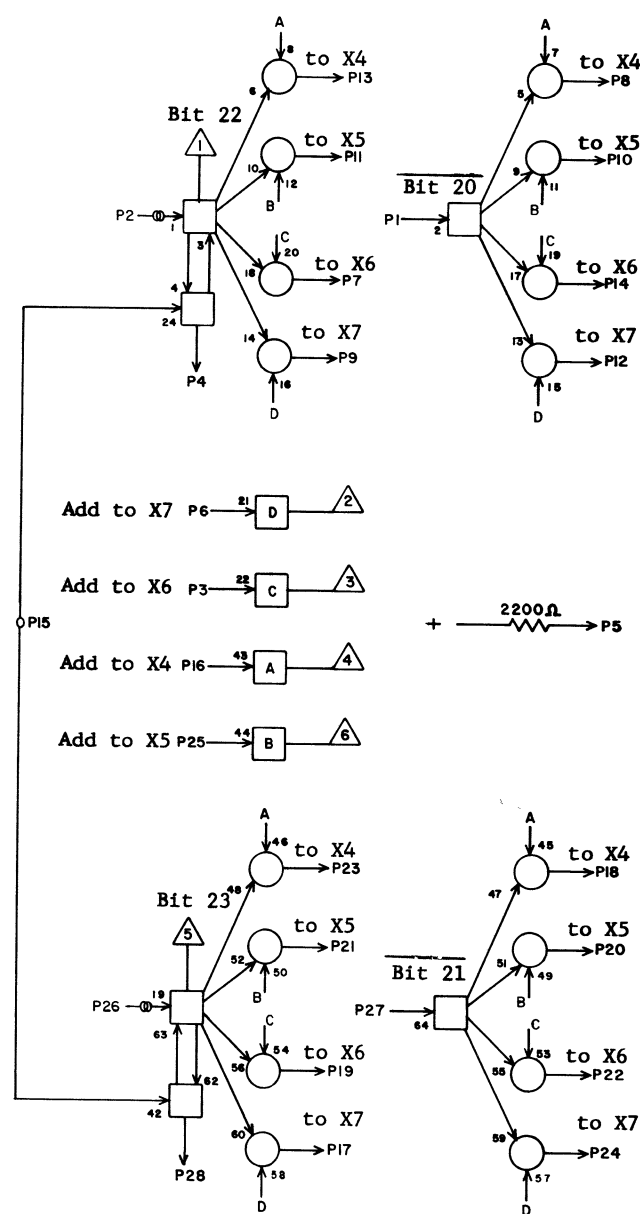
63017300 Rev. D

Entry Control: Trunk  
Add to X



RA		7J41	
JACK	PIN	PIN	LG
1	J42	4	3
2	W27	92	
3	I39	13	7
4	J42	1	3
5			
6	I39	19	7
7	F17	3	29
8	C17	24	37
9	G22	3	23
10	E14	24	33
11	E14	3	33
12	G22	24	23
13	C17	3	37
14	F17	24	29
15	I40	12	7
16	I38	13	7
17	G22	17	23
18	C17	21	37
19	F17	17	29
20	E14	21	33
21	E14	17	33
22	F17	21	29
23	C17	17	37
24	G22	21	23
25	I38	19	7
26	W27	93	
27	J42	28	3
28	J42	27	3

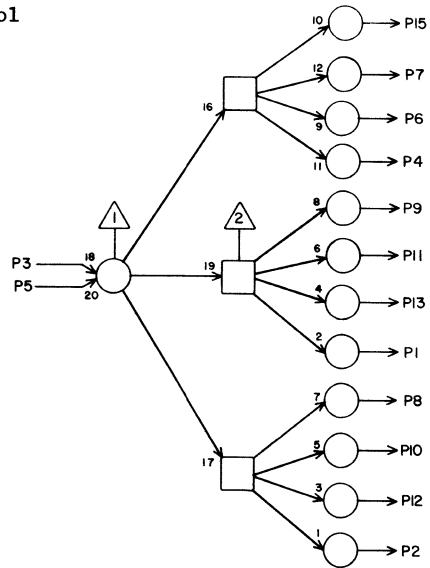
Entry Control: Trunk  
Add to X



RA		7J42	
JACK	PIN	PIN	LG
1	J41	4	3
2	W27	94	
3	I42	13	7
4	J41	1	3
5			
6	I42	19	7
7	N22	24	25
8	L22	3	21
9	O22	24	29
10	M22	3	23
11	M22	24	25
12	Q22	3	29
13	L22	24	21
14	N22	3	25
15	I40	2	7
16	I41	13	7
17	O22	21	29
18	L22	17	21
19	N22	21	25
20	M22	17	25
21	M22	21	25
22	N22	17	25
23	L22	21	21
24	O22	17	29
25	I41	19	7
26	W27	95	
27	J41	28	3
28	J41	27	3

Exit Control  
Xj to Add

0+1



TC

7K 1

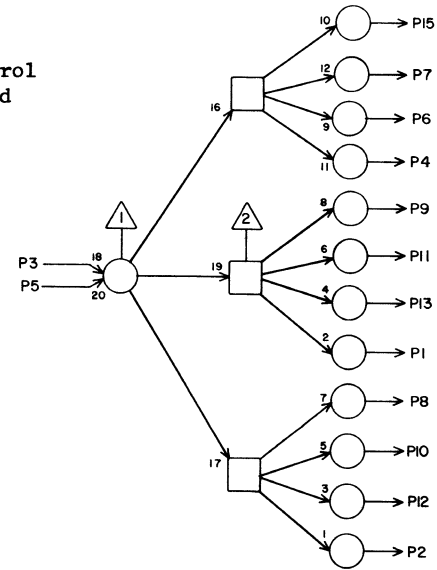
1	L 8	17	11
2	L12	17	15
3	K 9	16	11
4	L 4	17	9
5	GRD		2
6	L 3	17	9
7	L 2	17	9
8	L 9	17	13
9	L 5	17	9
10	L10	17	13
11	L 6	17	9
12	L11	17	13
13	L 7	17	11
14	K 9	22	11
15	L 1	17	7
16	GRD		2
17	L11	21	13
18	L 7	21	11
19	L10	21	13
20	L 6	21	11
21	L 9	21	11
22	L 5	21	9
23	L 2	21	7
24	L 4	21	9
25	L 1	21	7
26	L 3	21	9
27	L12	21	13
28	L 8	21	11

JACK PIN LG

63017300 Rev. D

Exit Control  
Xj to Add

4+5



TC

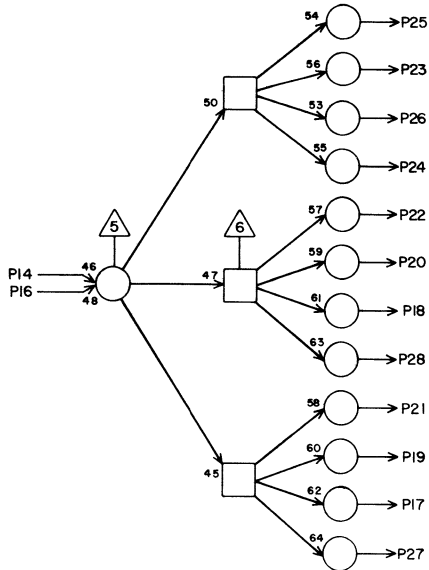
7K 2

1	L 8	23	11
2	L12	23	15
3	K10	14	11
4	L 4	23	9
5	GRD		2
6	L 3	23	9
7	L 2	23	9
8	L 9	23	11
9	L 5	23	9
10	L10	23	13
11	L 6	23	9
12	L11	23	13
13	L 7	23	11
14	K10	5	11
15	L 1	23	7
16	GRD		2
17	L11	13	13
18	L 7	13	11
19	L10	13	13
20	L 6	13	11
21	L 9	13	11
22	L 5	13	9
23	L 2	13	5
24	L 4	13	9
25	L 1	13	5
26	L 3	13	9
27	L12	13	13
28	L 8	13	11

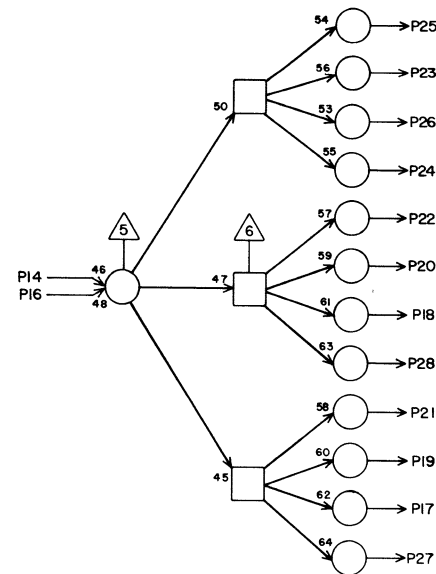
JACK PIN LG

63017300 Rev. D

2+3

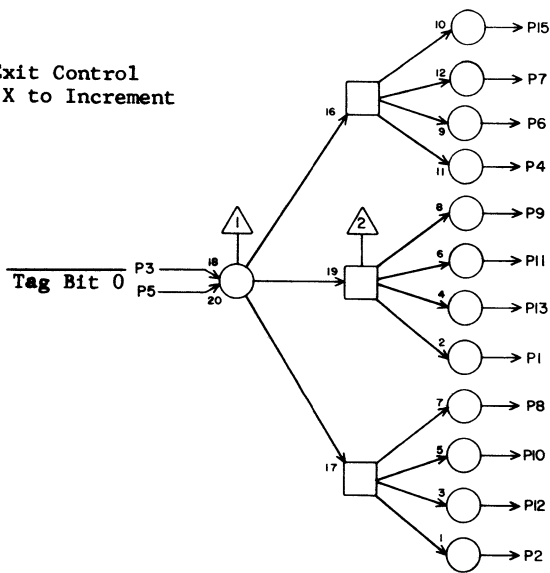


6+7

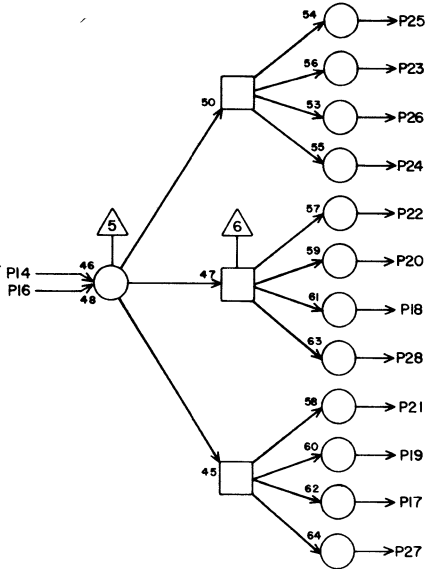


7K2

Exit Control  
X to Increment



Tag Bit 0



TC

7K 3

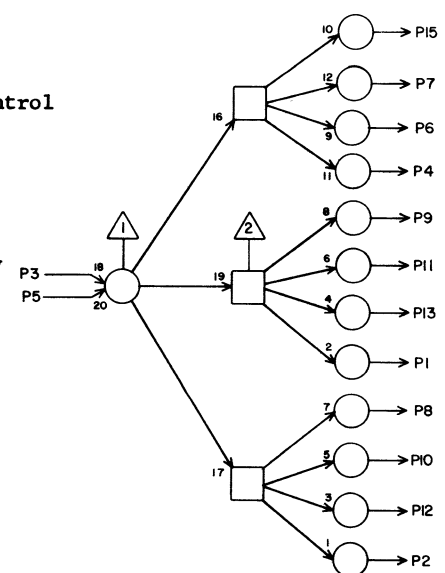
1	L 2	6	7
2	L 6	6	9
3	K 6	25	5
4	G 7	6	19
5	GRD		2
6	G 6	6	19
7	G 5	6	19
8	L 3	6	7
9	G 8	6	19
10	L 4	6	7
11	G 9	6	19
12	L 5	6	7
13	L 1	6	7
14	K 6	24	5
15	G 4	6	19
16	GRD		2
17	O 8	6	17
18	O 4	6	17
19	O 7	6	17
20	O 3	6	17
21	O 6	6	17
22	O 2	6	17
23	L 8	6	9
24	O 1	6	17
25	L 7	6	7
26	L 9	6	9
27	O 9	6	17
28	O 5	6	17

JACK PIN LG

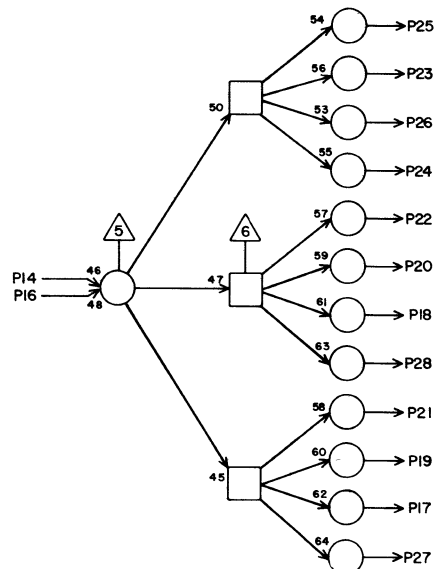
63017300 Rev. D

Exit Control

X to Memory  
Tag Bit 0



Xj to Add  
Tag Bit 0



TC

7K 4

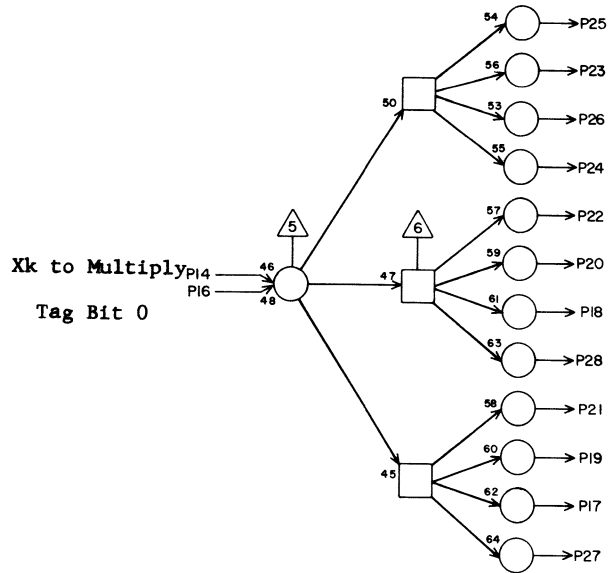
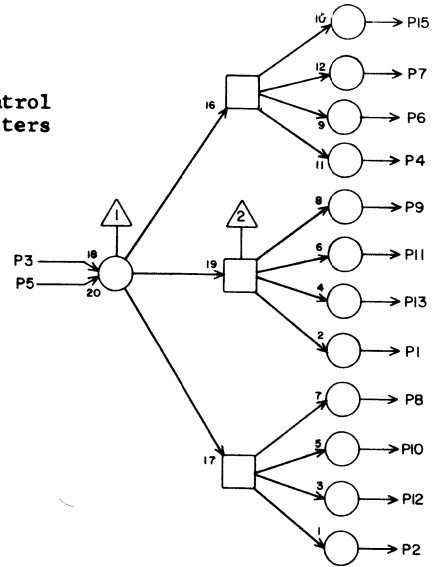
1	L 8	7	9
2	L12	7	13
3	K 6	3	5
4	L 4	7	9
5	GRD		2
6	L 3	7	7
7	L 2	7	7
8	L 9	7	9
9	L 5	7	7
10	L10	7	11
11	L 6	7	7
12	L11	7	11
13	L 7	7	9
14	K 6	15	5
15	L 1	7	9
16	GRD		2
17	L11	16	11
18	L 7	16	9
19	L10	16	11
20	L 6	16	7
21	L 9	16	9
22	L 5	16	5
23	L 2	16	7
24	L 4	16	5
25	L 1	16	9
26	L 3	16	5
27	L12	16	13
28	L 8	16	9

JACK PIN LG

63017300 Rev. D

Exit Control  
X Registers

Xk to Add  
Tag Bit 0



TC

7 K 5

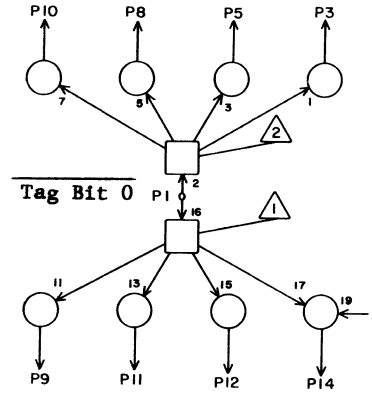
1	M 8	7	13
2	M12	7	13
3	K 7	3	5
4	M 4	7	11
5	GRD		2
6	M 3	7	11
7	M 2	7	11
8	M 9	7	13
9	M 5	7	11
10	M10	7	13
11	M 6	7	11
12	M11	7	13
13	M 7	7	11
14	K 7	23	5
15	M 1	7	11
16	GRD		2
17	M11	16	13
18	M 7	16	11
19	M10	16	13
20	M 6	16	11
21	M 9	16	11
22	M 5	16	11
23	M 2	16	11
24	M 4	16	11
25	M 1	16	11
26	M 3	16	11
27	M12	16	13
28	M 8	16	11

JACK PIN LG

63017300 Rev. D

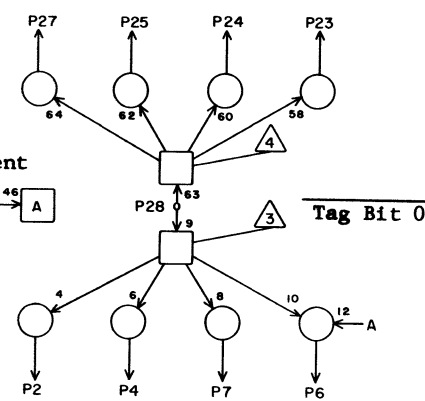
Exit Control

X to Memory

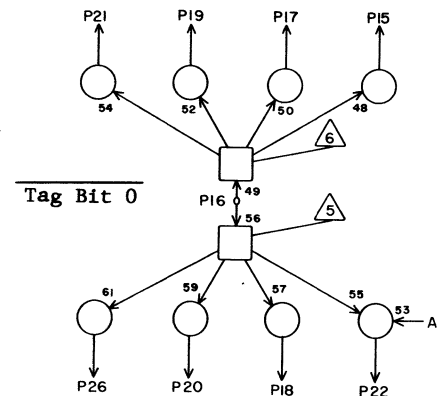


X to Increment

1·2v P13 → A



Xj to Add



7K6

HF

7 K 6

1	H26	8	23
2			
3	K 4	3	5
4			
5	F 2	3	21
6			
7			
8	F 1	14	21
9	K11	14	7
10	F 1	3	23
11	M14	3	13
12			
13	J 6	27	5
14			
15	K 4	14	5
16	J28	19	23
17	F 3	14	23
18			
19	F 3	3	23
20	M14	14	15
21	F 2	14	23
22			
23	K23	14	19
24	K 3	14	5
25	K 3	3	5
26	K14	3	11
27	F 8	14	23
28	J27	27	21

JACK PIN LG

63017300 Rev. D

Exit Control  
X Registers

HF

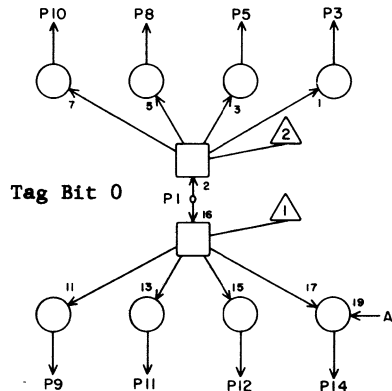
7K 7

1	I26	13	21
2	L14	3	11
3	K 5	3	5
4	N14	14	17
5	F 5	3	23
6			
7			
8	F 4	14	23
9	K14	14	9
10	F 4	3	23
11	N14	3	17
12			
13	J 7	27	5
14			
15	K11	3	7
16	I27	22	21
17	F 8	3	23
18			
19	F 7	14	21
20	O14	3	19
21	F 7	3	23
22			
23	K 5	14	5
24	F 6	14	23
25	F 6	3	23
26	L14	14	11
27	F 5	14	23
28	I26	28	21

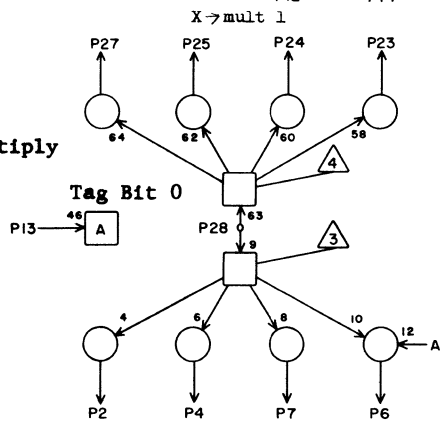
JACK PIN LG

63017300 Rev. D

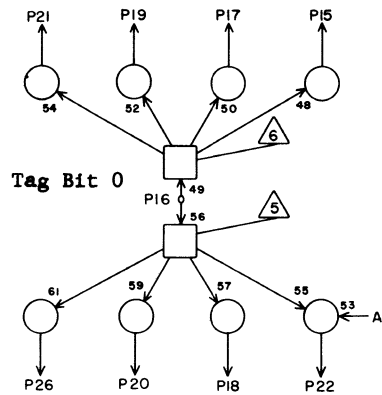
Xk to Add



Xk to Multiply

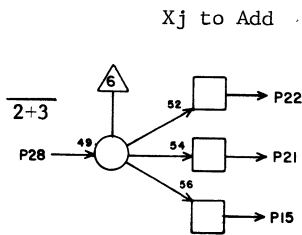
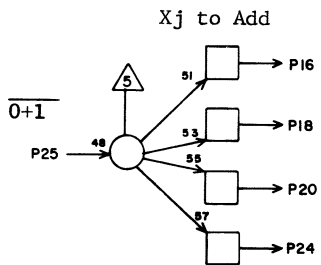
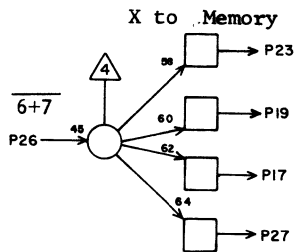
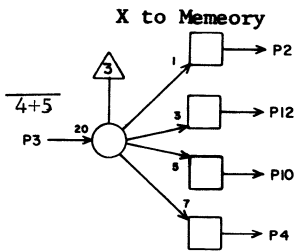
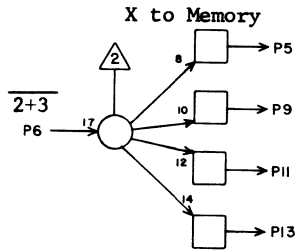
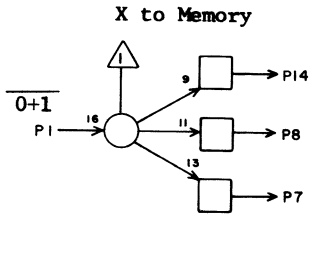


Xj to Multiply





Exit Control

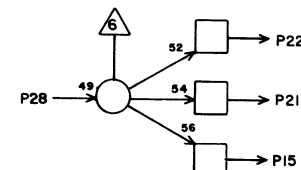
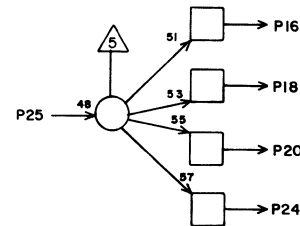
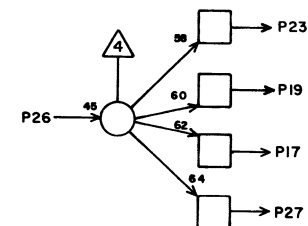
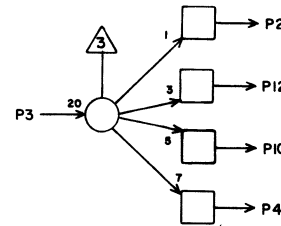
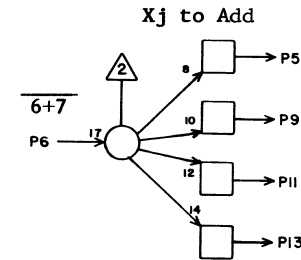
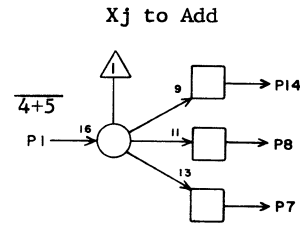


TH		7K9	
1	K13	28	7
2	C10	3	31
3	K13	4	7
4			
5	B10	14	
6	K13	2	7
7	F 9	3	23
8	D10	3	29
9	D10	14	29
10	F10	3	23
11	F 9	14	23
12	E10	3	25
13			
14	B10	3	37
15	N15	14	17
16	K 1	3	11
17	F10	14	23
18	L15	3	11
19	E10	14	25
20	N15	3	15
21	L15	14	
22	K 1	14	11
23	C10	14	33
24			
25	M13	28	11
26	K13	17	7
27			
28	M13	2	11

JACK PIN LG

63017300 Rev.

Exit Control



TH 7K10

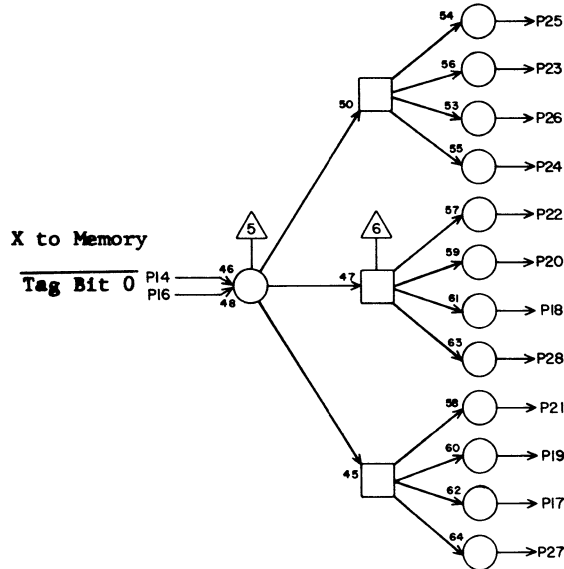
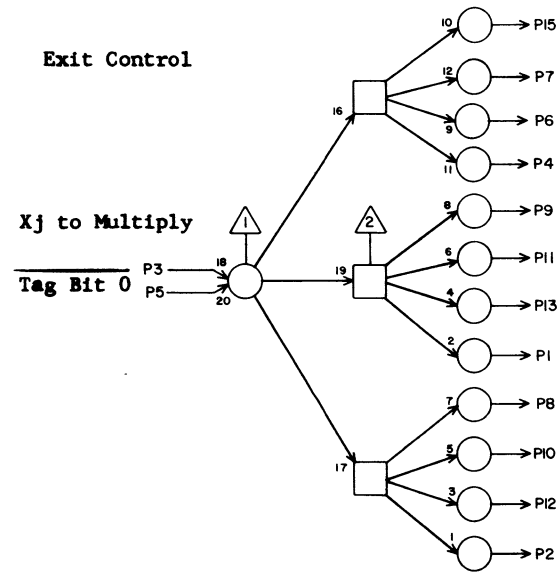
1	M13	4	11
2			
3			
4			
5	K 2	14	11
6	M13	17	13
7	O15	3	19
8	M15	3	13
9	M15	14	13
10			
11	O15	14	19
12			
13			
14	K 2	3	11
15			
16			
17			
18			
19			
20			
21			
22			
23			
24			
25			
26			
27			
28			

JACK PIN LG

63017300 Rev. D

7K10

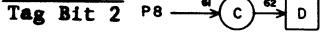
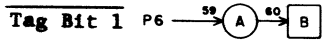
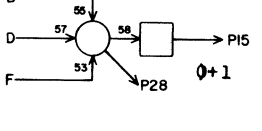
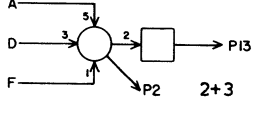
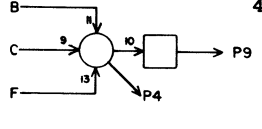
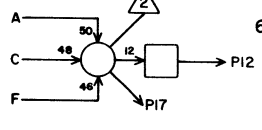
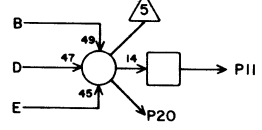
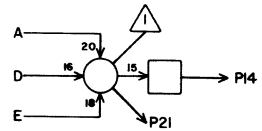
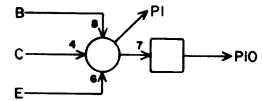
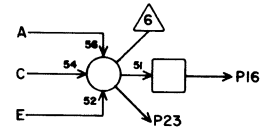
TC 7K11



1	M 8	6	13
2	M12	6	11
3	K 7	15	7
4	M 4	6	13
5	GRD		2
6	M 3	6	13
7	M 2	6	15
8	M 9	6	11
9	M 5	6	13
10	M10	6	11
11	M 6	6	13
12	M11	6	11
13	M 7	6	11
14	K 6	9	7
15	M 1	6	15
16	GRD		2
17	O 5	7	19
18	O 1	7	19
19	O 4	7	19
20	N 6	7	15
21	O 3	7	19
22	N 5	7	15
23	N 2	7	15
24	N 4	7	15
25	N 1	7	17
26	N 3	7	15
27	O 6	7	19
28	O 2	7	19

JACK PIN LG

Exit Control  
X to Memory



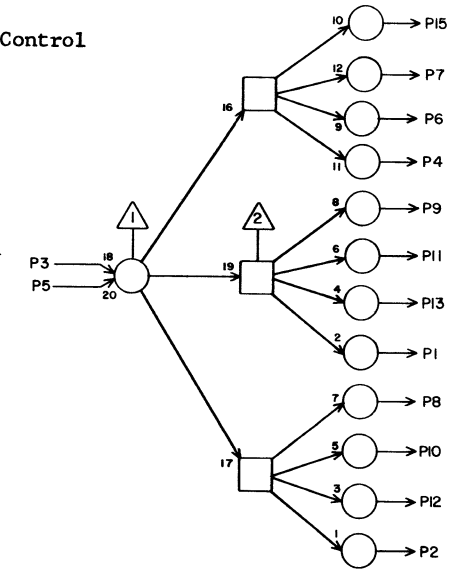
IV 7K13

1			
2	K 9	6	7
3			
4	K 9	3	7
5			
6	H26	9	19
7			
8	H26	28	19
9			
10			
11			
12			
13			
14			
15			
16			
17	K 9	26	7
18			
19			
20			
21			
22			
23			
24			
25			
26	GRD		2
27			
28	K 9	1	7

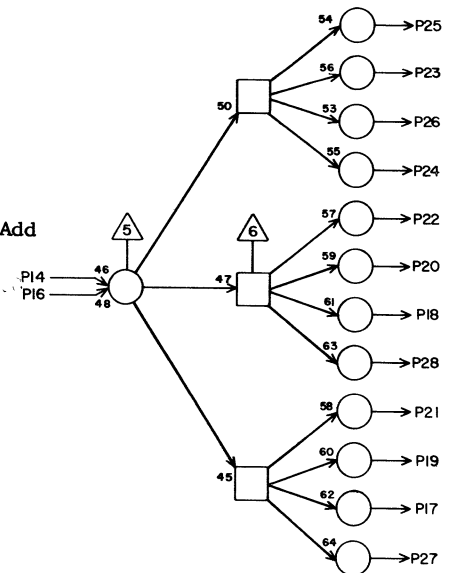
JACK PIN LG

Exit Control

Xj to Add  
Tag Bit 0



Xk to Add  
Tag Bit 0

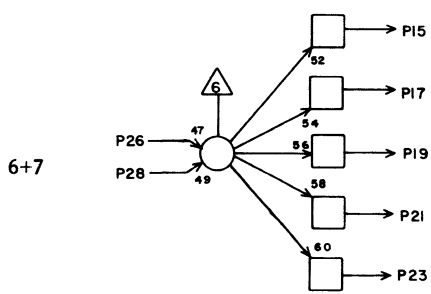
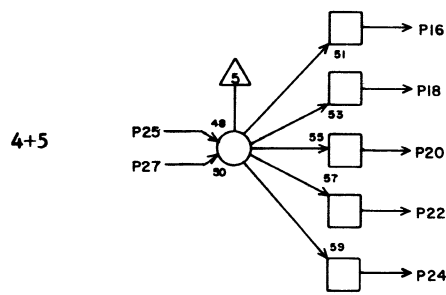
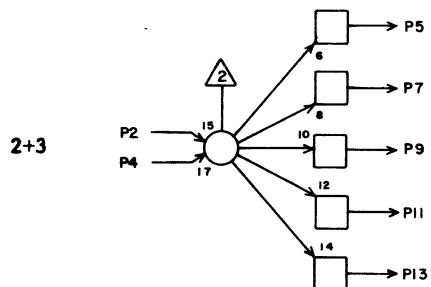
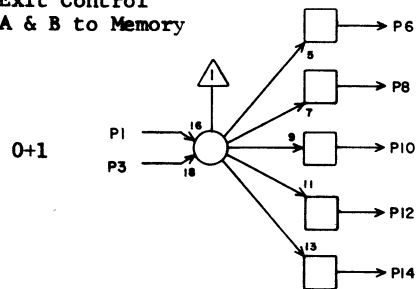


TC 7K14

1	O 2	16	23
2	O 6	16	21
3	K 6	26	11
4	N 4	16	19
5	GRD		2
6	N 3	16	19
7	N 2	16	19
8	O 3	16	21
9	N 5	16	17
10	O 4	16	21
11	N 6	16	17
12	O 5	16	19
13	O 1	16	23
14	K 7	9	9
15	N 1	16	19
16	GRD		2
17	P 5	7	23
18	P 1	7	25
19	P 4	7	23
20	N12	7	13
21	P 3	7	23
22	N11	7	13
23	N 8	7	15
24	N10	7	13
25	N 7	7	13
26	N 9	7	13
27	P 6	7	21
28	P 2	7	23

JACK PIN LG

Exit Control  
A & B to Memory



T D

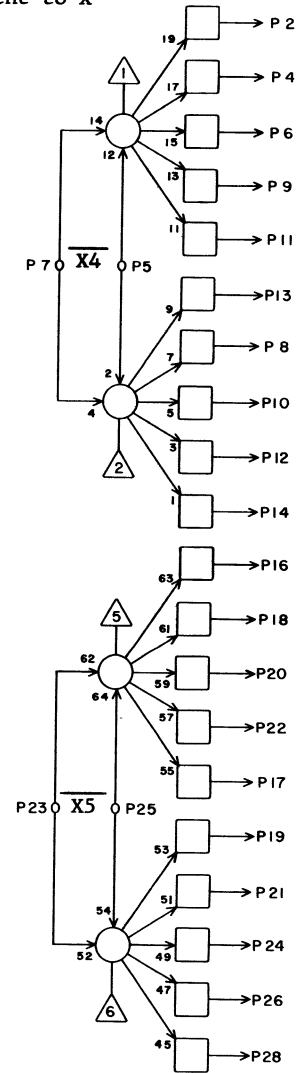
7K15

1	K21	15	9
2	K21	13	9
3	GRD		2
4	GRD		2
5	A30	25	41
6	A30	5	41
7	B25	28	39
8	B25	1	39
9	N26	25	19
10	N26	5	19
11	P18	28	23
12	P18	1	21
13			
14			
15	B20	25	39
16	B20	5	39
17	C11	1	35
18	B25	16	39
19	P19	1	21
20	P18	16	21
21	O26	25	21
22	O26	5	21
23			
24			
25	K21	9	9
26	K21	12	9
27	GRD		2
28	GRD		2

JACK PIN LG

63017300 Rev. D

Entry Control  
Increment to X

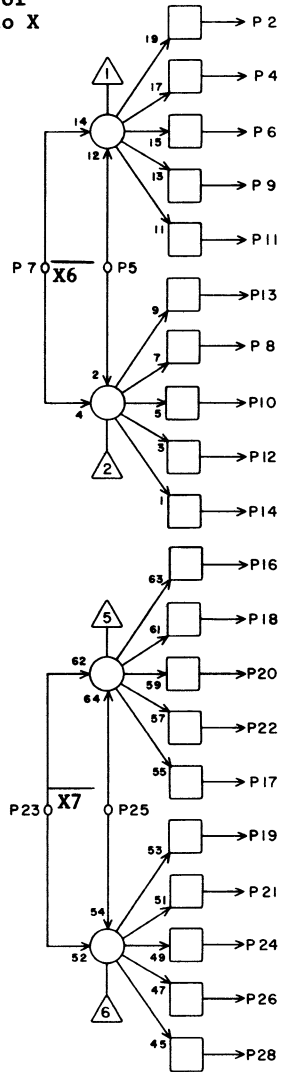


HC 7 K18

1			
2	H13	16	15
3			
4	H15	16	15
5	J20	25	7
6	H18	16	15
7	GRD		2
8	J15	16	7
9	H22	16	15
10	J17	16	7
11	J11	16	11
12	J19	16	7
13	J13	16	9
14			
15			
16	H13	25	15
17	J11	25	11
18	H15	25	5
19	J13	25	9
20	H18	25	15
21	J15	25	7
22	H22	25	15
23	GRD		2
24	J17	25	7
25	J21	25	9
26	J19	25	7
27			
28			

JACK PIN LG

Entry Control  
Increment to X



HC

7K19

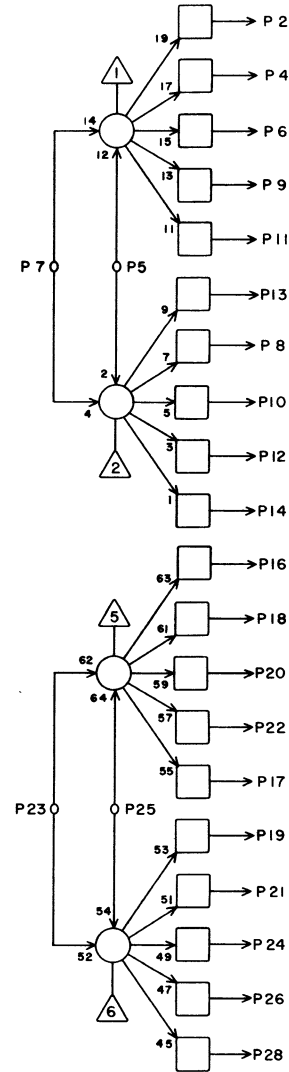
1			
2	H13	3	15
3			
4	H15	3	15
5	J22	25	7
6	H18	3	15
7	GRD		2
8	J15	3	9
9	H22	3	15
10	J17	3	9
11	J11	3	11
12	J19	3	9
13	J13	3	11
14			
15			
16	H13	6	15
17	J11	6	11
18	H15	6	15
19	J13	6	11
20	H18	6	15
21	J15	6	9
22	H22	6	15
23	GRD		2
24	J17	6	9
25	J23	25	9
26	J19	6	9
27			
28			

JACK PIN LG

63017300 Rev. D:

Entry Control

Clear Register  
D4



HC

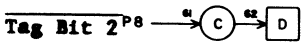
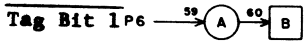
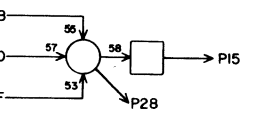
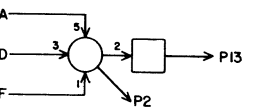
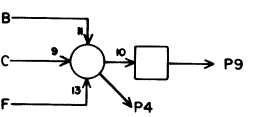
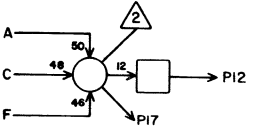
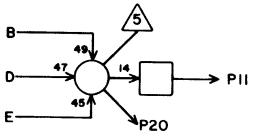
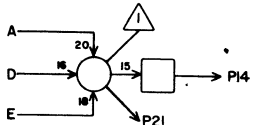
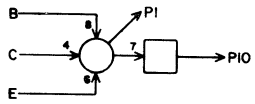
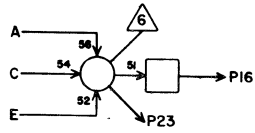
7K20

1			
2	J20	10	7
3			
4	J21	10	7
5	G27	15	19
6	J22	10	7
7	I16	11	13
8			
9	J23	10	7
10			
11	J24	10	9
12			
13	J25	10	9
14			
15			
16			
17			
18			
19			
20			
21			
22			
23			
24			
25			
26			
27			
28			

JACK PIN LG

63017300 Rev. D

Exit Control  
A & B to Memory



6 + 7

4 + 5

2 + 3

0+1

IV

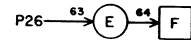
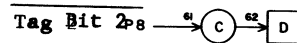
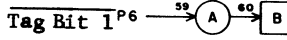
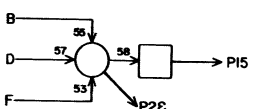
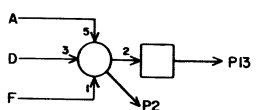
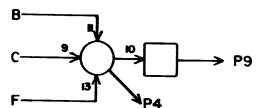
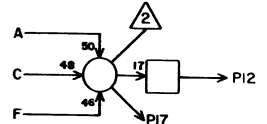
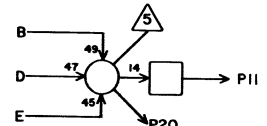
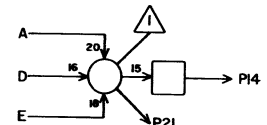
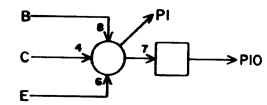
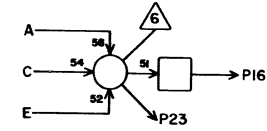
7K21

1			
2			
3			
4			
5			
6	H26	10	15
7			
8	H26	26	15
9	K15	25	9
10			
11			
12	K15	26	9
13	K15	2	9
14			
15	K15	1	9
16			
17			
18			
19			
20			
21			
22			
23			
24			
25			
26	GRD		2
27			
28			

JACK PIN LG

63017300 Rev. D

Exit Control  
Bj to Increment



6+7

4+5

2+3

0+1

IV

7K22

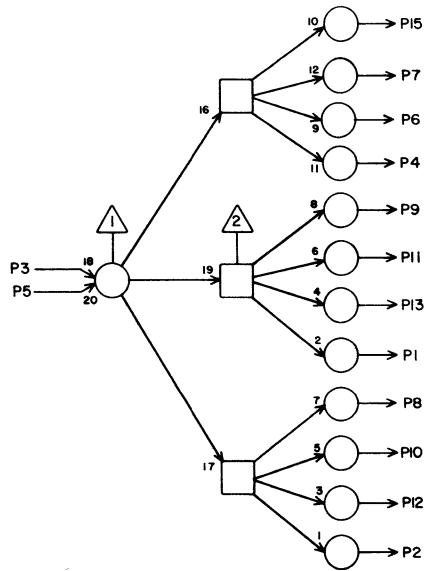
1			
2			
3			
4			
5			
6	L34	4	15
7			
8	L34	19	15
9	R23	25	33
10			
11			
12	R23	26	33
13	R23	2	33
14			
15	R23	1	29
16			
17			
18			
19			
20			
21			
22			
23			
24			
25			
26	GND		2
27			
28			

JACK PIN LG

63017300 Rev. D

7K22

Entry Control



Transfer  
D4 to X4

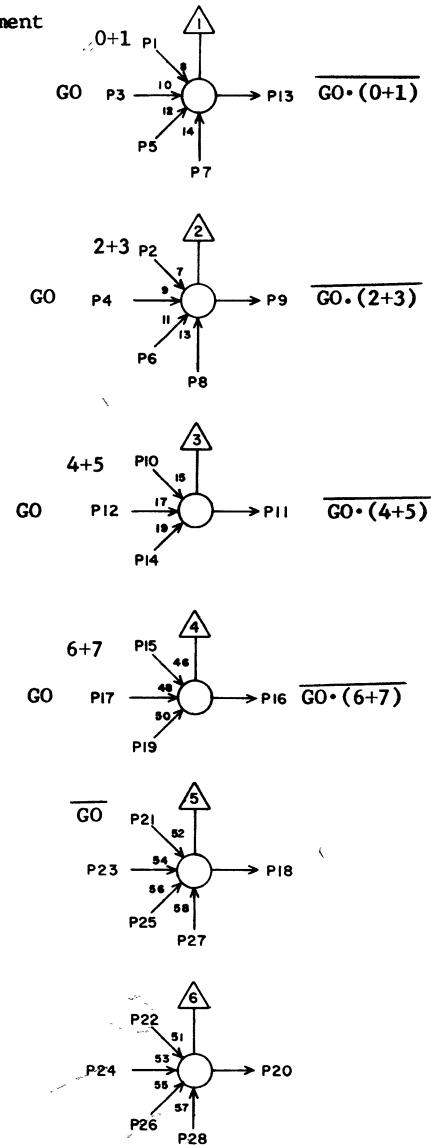
TC 7K23

1			
2			
3	J20	28	7
4			
5	GRD		2
6			
7	J21	13	7
8	J24	13	7
9	J22	13	7
10	J25	13	7
11	J23	13	7
12			
13			
14	K 6	23	19
15	J20	13	9
16			
17			
18	O13	6	19
19			
20	O12	6	21
21			
22	O11	6	19
23	L11	6	15
24	O10	6	21
25	L10	6	15
26	L12	6	13
27			
28			

JACK PIN LG

Exit Control

Bk to Increment



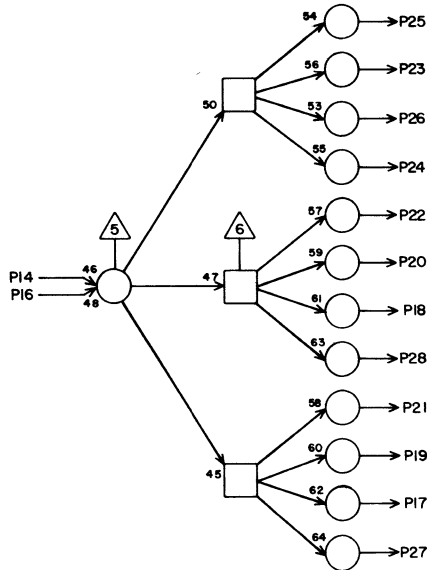
X to Memory

TI 7K24

1	K35	15	13
2	K35	13	13
3	H25	15	13
4	H25	17	13
5	L34	28	156
6			
7			
8			
9	L33	28	13
10	K35	9	13
11	L33	16	11
12	H25	19	13
13	L33	1	11
14			
15	K35	12	13
16	K25	1	5
17	H25	21	13
18	E31	3	120
19			
20	H26	12	17
21	H26	1	17
22	I15	18	15
23	GRD		2
24			
25	GRD		2
26			
27	GRD		2
28			

JACK PIN LG

Exit Control



Tag Bit 0

X to Increment

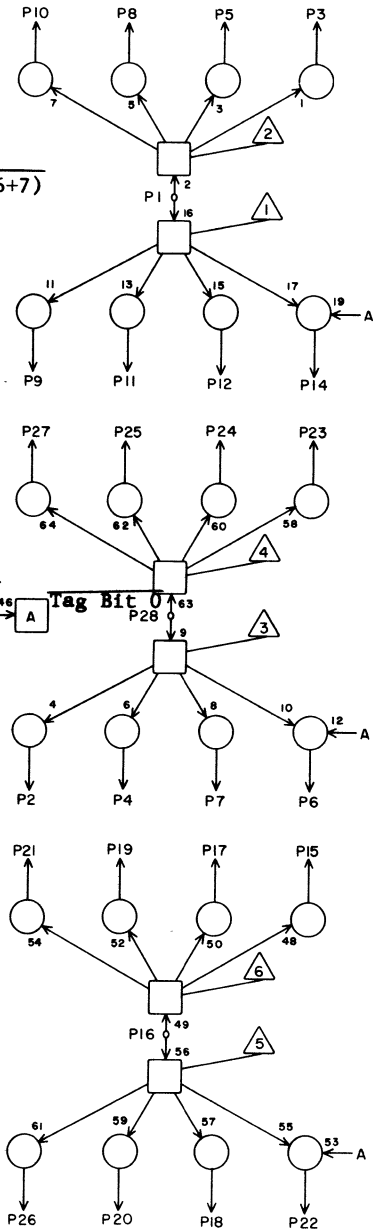


Exit Control

Bk. to Increment

GO (6+7)

A & B to Memory



7K25

HF

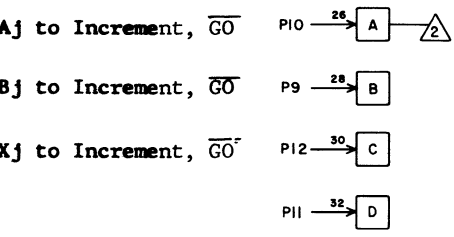
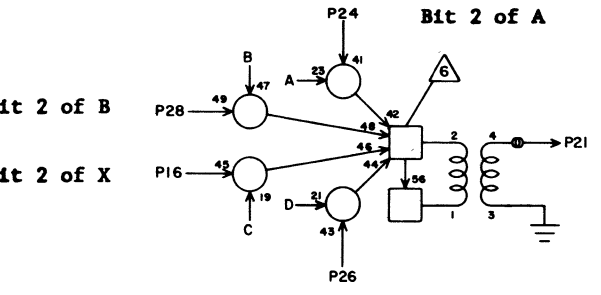
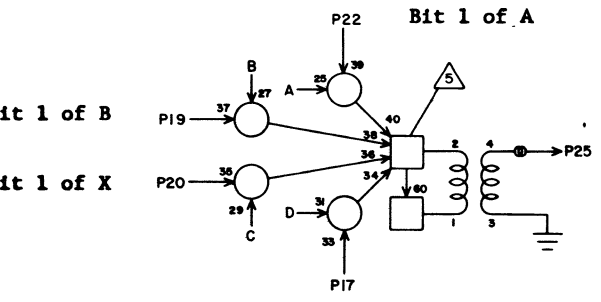
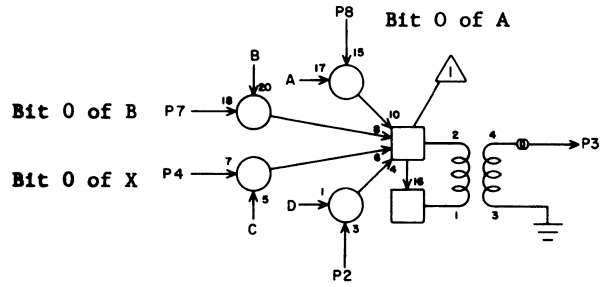
7K25

1	K24	16	5
2	Q22	3	25
3	L30	11	9
4	Q22	14	25
5	L29	11	9
6			
7			
8	L28	11	9
9	L31	11	11
10	L27	11	9
11	L32	11	11
12			
13			
14			
15			
16			
17			
18			
19			
20			
21			
22			
23	Q23	3	25
24	B21	3	39
25	A29	3	41
26			
27	A18	3	41
28	H26	5	17

JACK PIN LG

63017300 Rev. E

Exit Control: Trunk  
Aj, Bj & X to Increment

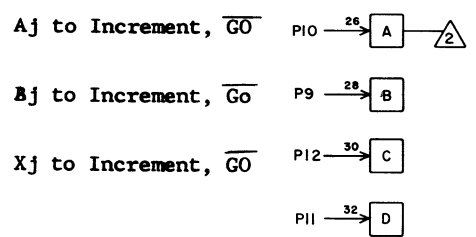
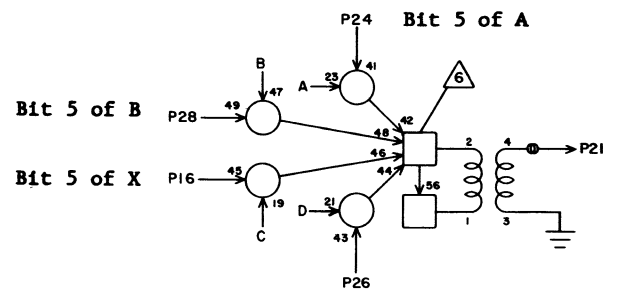
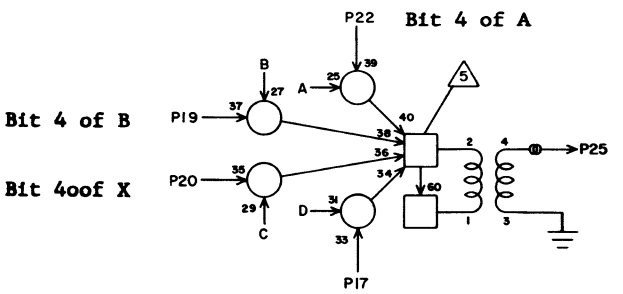
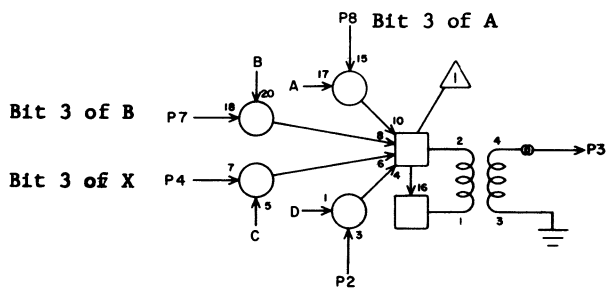


RG **7K27**

1			
2			
3	W22	900	
4	G 1	12	31
5			
6			
7	Q13	14	29
8	B13	14	37
9	I25	15	11
10	I24	25	11
11	GRD		2
12	I25	25	11
13			
14			
15			
16	G 3	12	29
17			
18			
19	Q14	14	27
20	G 2	12	31
21	W22	902	
22	B14	14	39
23			
24	B15	14	39
25	W22	901	
26			
27			
28	Q15	14	27

JACK PIN LG

Exit Control: Trunk  
Aj, Bj and X to Increment

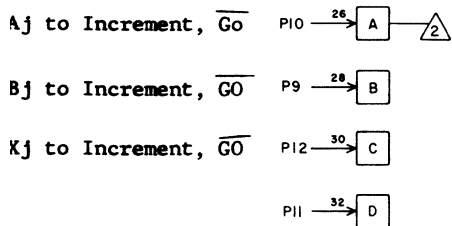
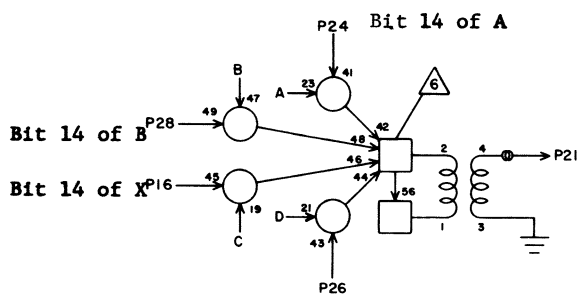
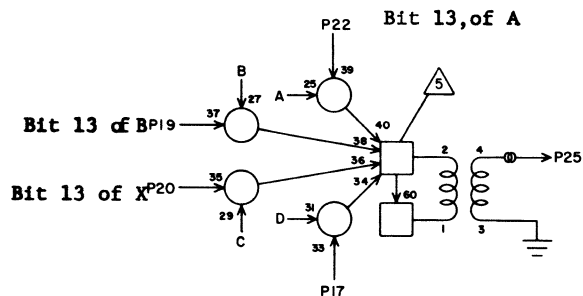
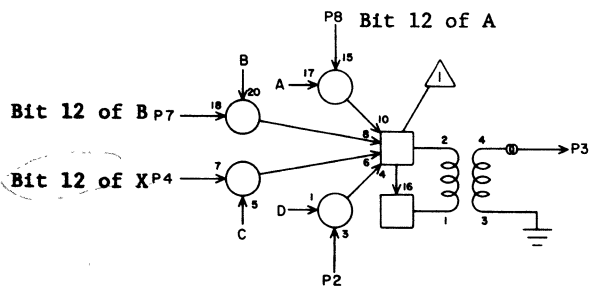


RG **7K28**

1			
2			
3	W22	903	
4	G 4	12	29
5			
6			
7	Q16	14	27
8	B16	14	39
9	I25	7	13
10	I24	23	11
11	GRD		2
12	I25	23	13
13			
14			
15			
16	G 6	12	29
17			
18			
19	Q17	14	25
20	G 5	12	29
21	W22	905	
22	B17	14	39
23			
24	B18	14	39
25	W22	904	
26			
27			
28	Q18	14	25

JACK PIN LG

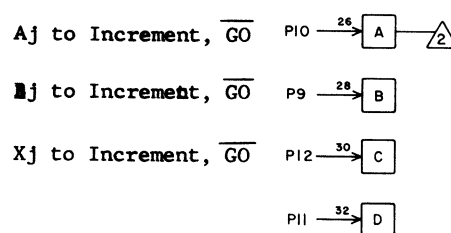
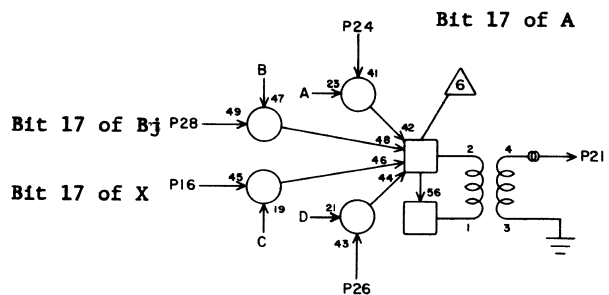
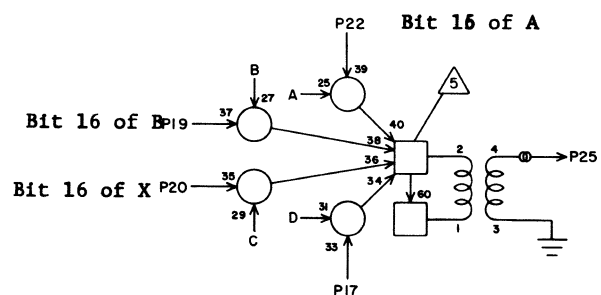
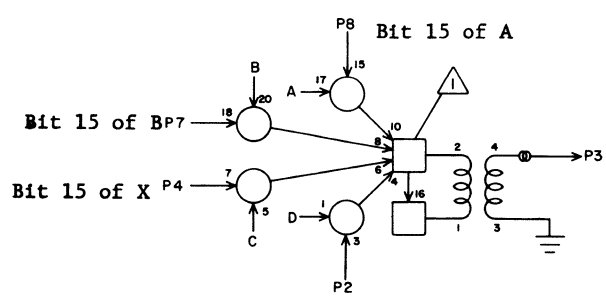
Exit Control: Trunk  
Aj, Bj and X to Increment



RG		7K31	
1			
2			
3	W22	93	
4	H 4	12	29
5			
6			
7	R16	14	33
8	B29	14	39
9	I25	9	13
10	I24	22	13
11	GND		2
12	I25	22	13
13			
14			
15			
16	H 6	12	27
17			
18			
19	R17	14	33
20	H 5	12	29
21	W22	95	
22	B30	14	39
23			
24	B31	14	39
25	W22	94	
26			
27			
28	R18	14	33
	JACK	PIN	LG

63017300 Rev. D

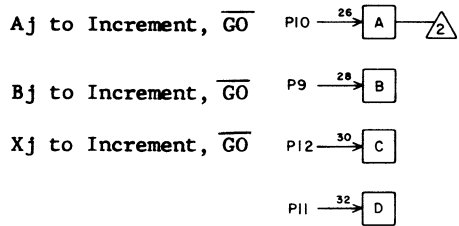
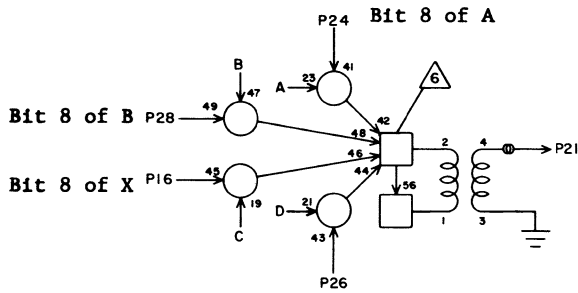
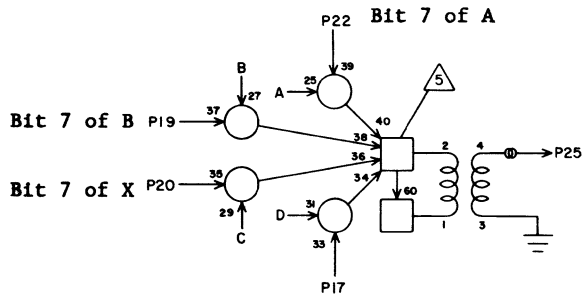
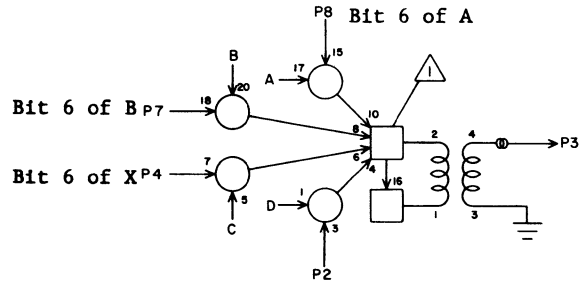
Exit Control: Trunk  
Aj, Bj and X to Increment



RG		7K32	
1			
2			
3	W22	96	
4	H 7	12	27
5			
6			
7	R19	14	33
8	B32	14	39
9	I25	11	13
10	I24	20	13
11	GRD		2
12	I25	20	13
13			
14			
15			
16	H 9	12	27
17			
18			
19	R20	14	33
20	H 8	12	27
21	W22	98	
22	B33	14	39
23			
24	B34	14	39
25	W22	97	
26			
27			
28	R21	14	33
	JACK	PIN	LG

63017300 Rev. D

Exit Control: Trunk  
Aj, Bj and X to Increment



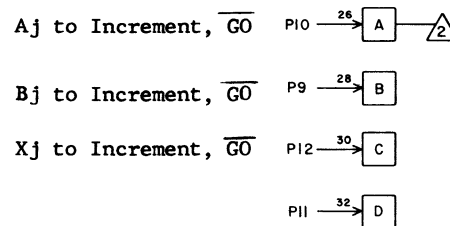
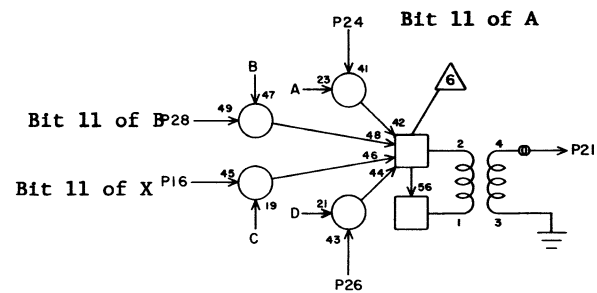
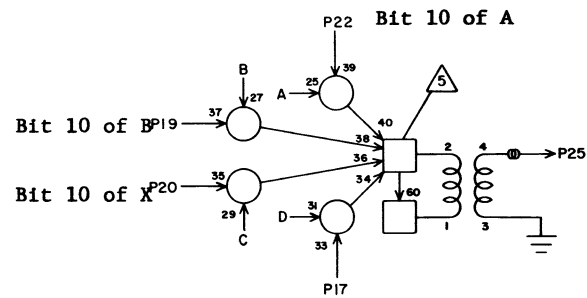
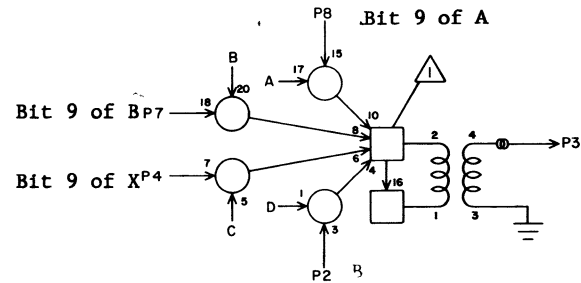
RG

7K29

1			
2			
3	W22	906	
4	G 7	12	29
5			
6			
7	Q19	14	27
8	B19	14	39
9	I25	6	13
10	I24	26	11
11	GRD		2
12	I25	26	13
13			
14			
15			
16	G 9	12	25
17			
18			
19	Q20	14	27
20	G 8	12	29
21	W22	908	
22	B22	14	39
23			
24	B23	14	39
25	W22	907	
26			
27			
28	Q21	14	27

JACK PIN LG

Exit Control: Trunk  
Aj, Bj and X to Increment



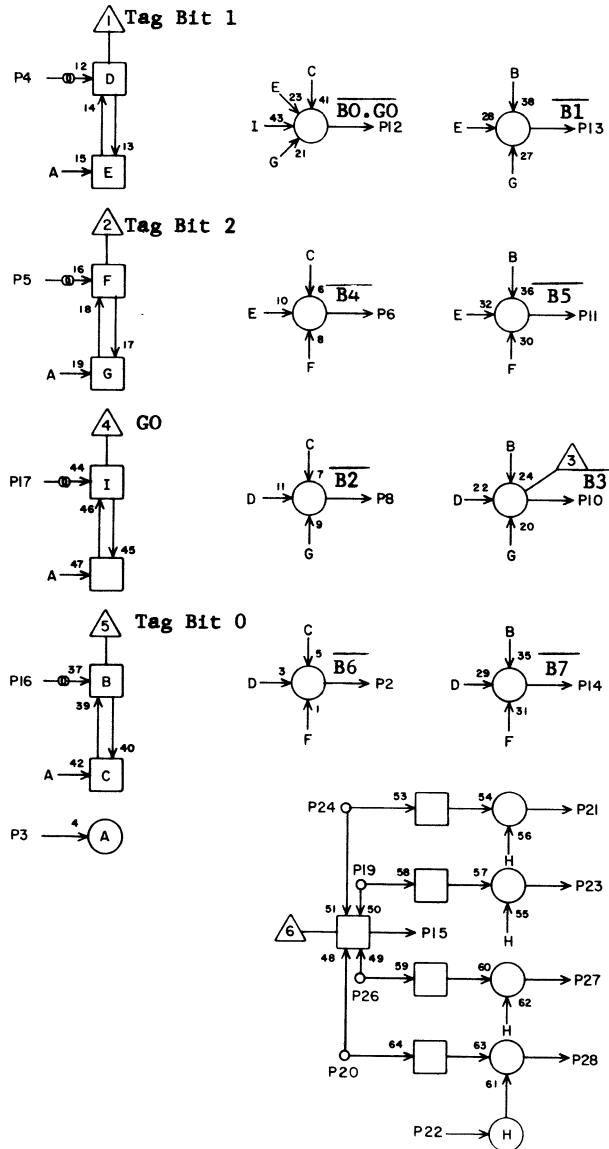
RG

7K30

1			
2			
3	W22	90	
4	H 1	12	31
5			
6			
7	R13	14	33
8	B24	14	39
9	I25	4	13
10	I24	24	13
11	GRD		2
12	I25	24	13
13			
14			
15			
16	H 3	12	29
17			
18			
19	R14	14	33
20	H 2	12	29
21	W22	92	
22	B27	14	39
23			
24	B28	14	39
25	W22	91	
26			
27			
28	R15	14	33

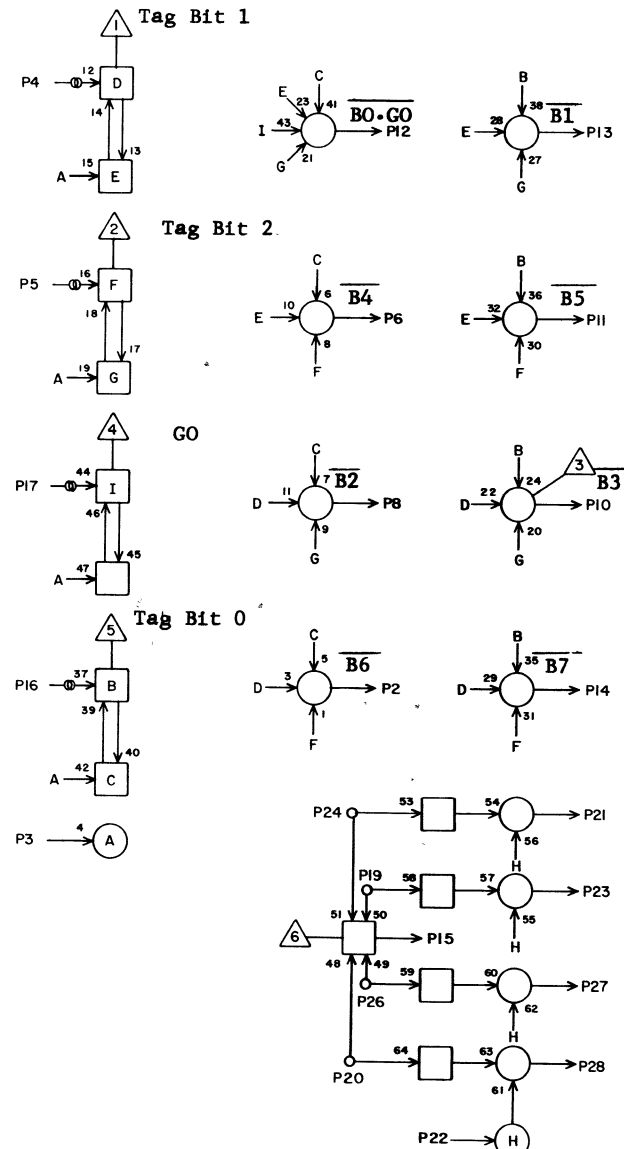
JACK PIN LG

Entry Control: Increment to B



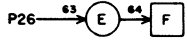
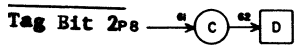
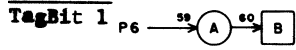
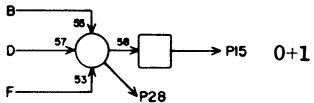
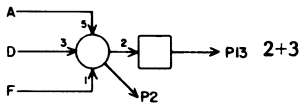
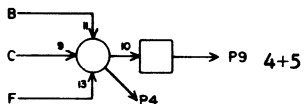
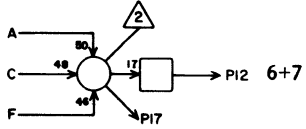
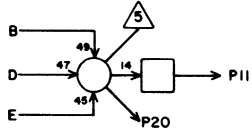
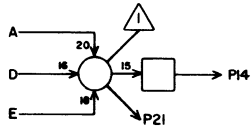
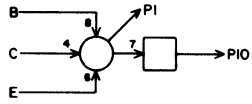
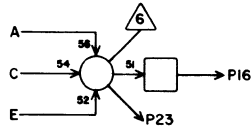
RB		7K33	
1			
2	J24	27	11
3	I14	12	21
4	W16	97	
5	W16	98	
6	F24	27	21
7			
8	F22	27	23
9			
10	F23	27	23
11	F25	27	23
12	F20	27	23
13	F21	27	23
14	J25	27	11
15			
16	W16	96	
17	W16	95	
18			
19			
20			
21			
22			
23			
24			
25			
26			
27			
28			
	JACK	PIN	LG

Entry Control: Shift to B



RB		7K34	
1			
2	J24	22	13
3	I14	14	23
4	W17	906	
5	W17	907	
6	F24	22	23
7			
8	F22	22	23
9			
10	F23	22	23
11	F25	22	23
12	F20	22	25
13	F21	22	25
14	J25	22	13
15			
16	W17	905	
17	W17	904	
18			
19			
20			
21			
22			
23			
24			
25			
26			
27			
28			
	JACK	PIN	LG

Exit Control  
Bk to Increment



IV 7K35

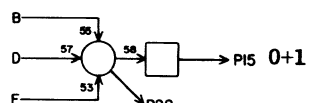
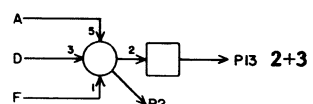
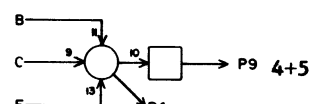
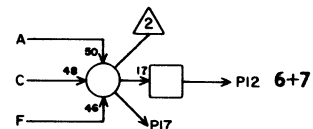
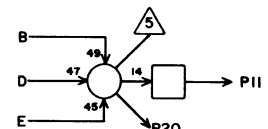
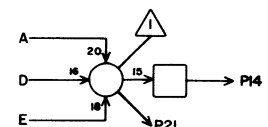
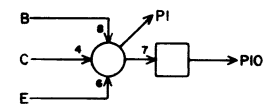
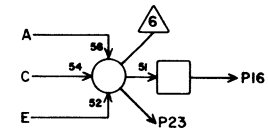
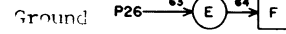
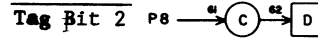
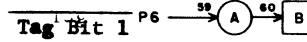
1			
2			
3			
4			
5			
6	M34	12	11
7			
8	M34	14	11
9	K24	10	13
10			
11			
12	K24	15	13
13	K24	2	13
14			
15	K24	1	13
16			
17			
18			
19			
20			
21			
22			
23			
24			
25			
26	GND		2
27			
28			

JACK PIN LG

63017300 Rev. D

Exit Control

Bj to Add



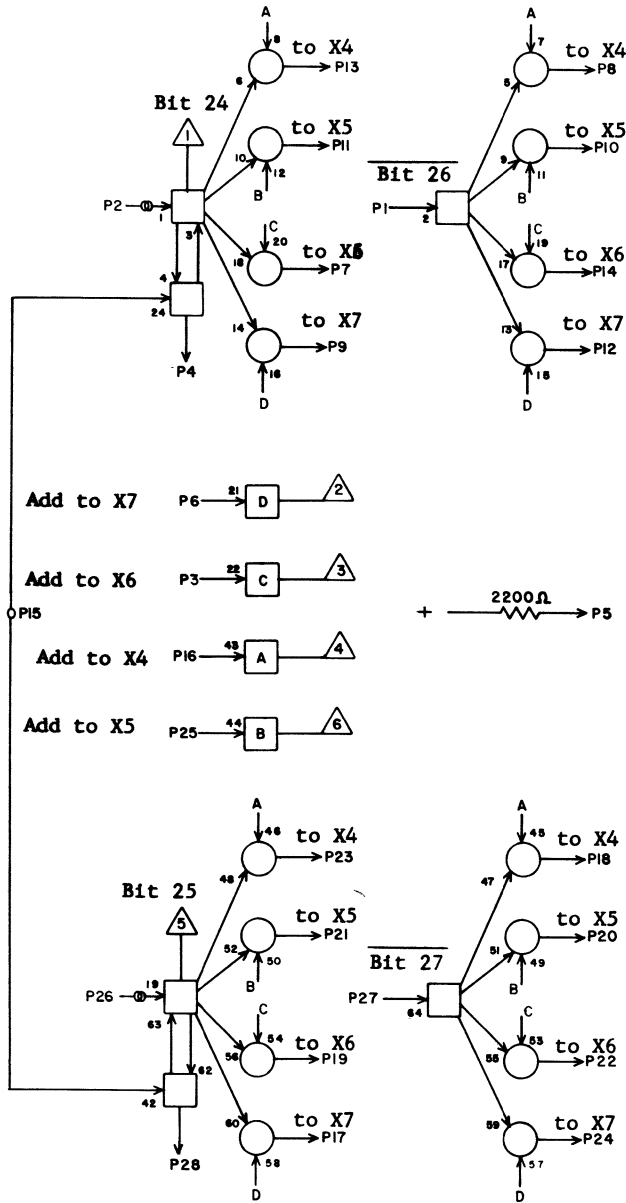
IV 7K36

1			
2			
3			
4			
5			
6	M34	17	11
7			
8	M34	27	13
9	M26	25	15
10			
11			
12	M26	26	15
13	M26	2	13
14			
15	M26	1	13
16			
17			
18			
19			
20			
21			
22			
23			
24			
25			
26	GND		2
27			
28			

JACK PIN LG

63017300 Rev. D

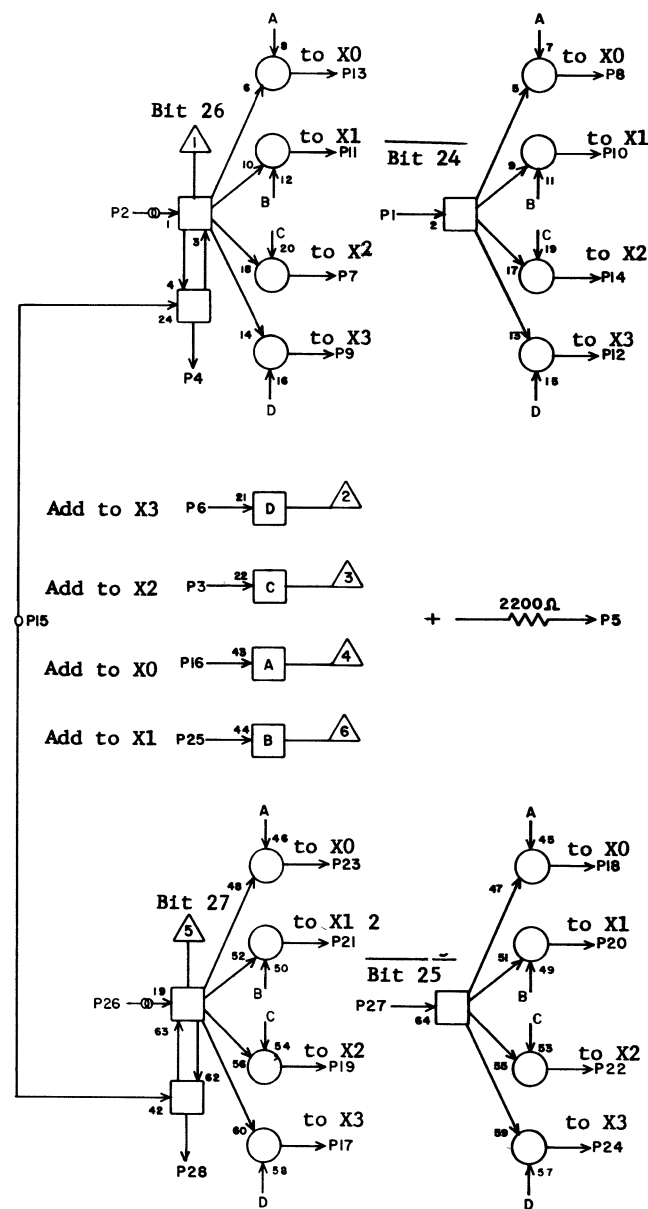
Entry Control: Trunk  
Add to X



7K37			
RA	JACK	PIN	LG
1	K38	4	3
2	W27	96	
3	I42	8	13
4	K38	1	3
5			
6	I42	21	13
7	N23	3	21
8	L23	24	15
9	O23	3	21
10	M23	24	17
11	M23	3	17
12	O23	24	21
13	L23	3	15
14	N23	24	21
15	I40	25	11
16	I41	8	13
17	O23	17	21
18	L23	21	15
19	N23	17	21
20	M23	21	17
21	M23	17	17
22	N23	21	21
23	L23	17	15
24	O23	21	21
25	I41	21	13
26	W27	97	
27	K38	28	3
28	K38	27	3

63017300 Rev. D

Entry Control: Trunk  
Add to X

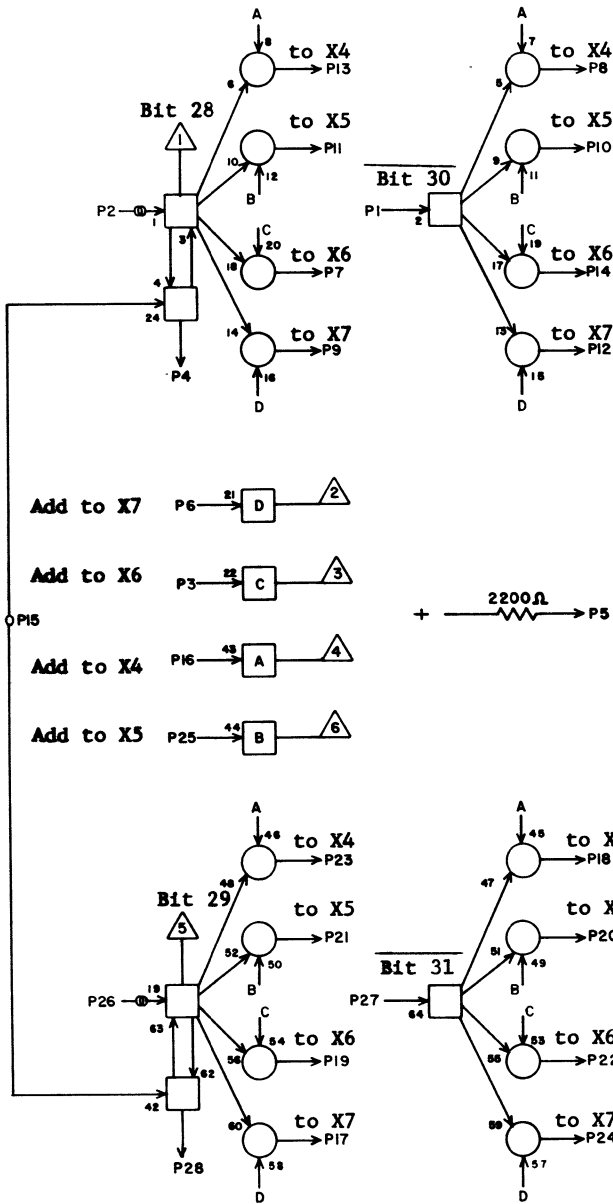


7K38			
RA	JACK	PIN	LG
1	K37	4	3
2	W27	98	
3	I39	8	11
4	K37	1	3
5			
6	I39	21	11
7	G12	24	31
8	D12	3	39
9	G23	24	23
10	E15	3	33
11	E15	24	33
12	G23	3	23
13	D12	24	39
14	G12	3	33
15	I40	23	11
16	I38	8	13
17	G23	21	23
18	D12	17	39
19	G12	21	33
20	E15	17	33
21	E15	21	33
22	G12	17	33
23	D12	21	39
24	G23	17	23
25	I38	21	13
26	W27	99	
27	K37	28	3
28	K37	27	3

63017300 Rev. D

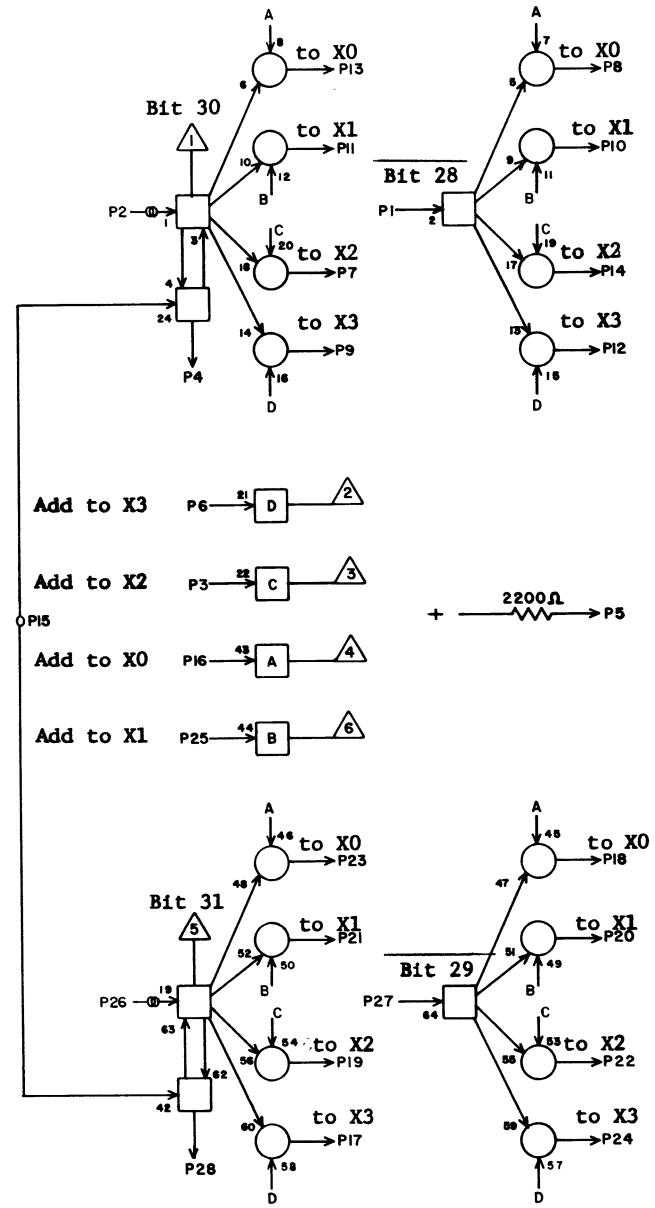
7K38

Entry Control: Trunk  
Add to X



RA		7K39	
1	K40	4	3
2	W27	900	
3	I42	10	11
4	K40	1	3
5			
6	I42	24	11
7	N24	3	21
8	L24	24	17
9	O24	3	23
10	M24	24	17
11	M24	3	17
12	O24	24	23
13	L24	3	17
14	N24	24	21
15	I40	26	11
16	I41	10	13
17	O24	17	23
18	L24	21	17
19	N24	17	21
20	M24	21	17
21	M24	17	17
22	N24	21	21
23	L24	17	17
24	O24	21	23
25	I41	24	13
26	W27	901	
27	K40	28	3
28	K40	27	3
	JACK	PIN	LG

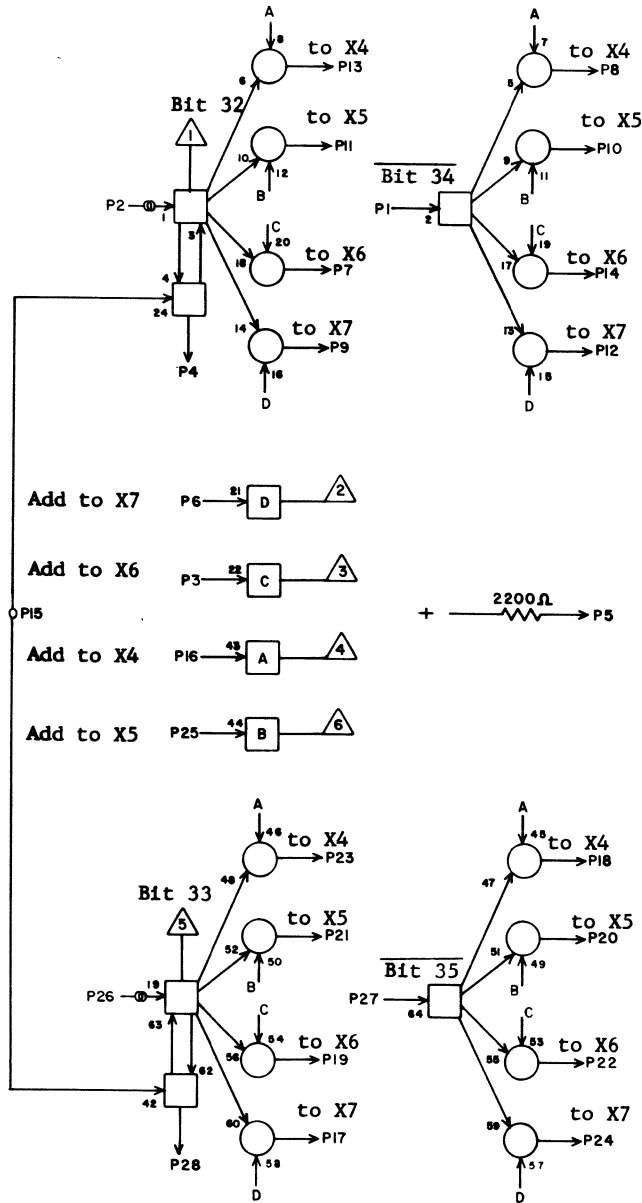
Entry Control: Trunk  
Add to X



RA		7K40	
1	K39	4	3
2	W27	902	
3	I39	10	11
4	K39	1	3
5			
6	I39	24	11
7	G13	24	33
8	D13	3	39
9	G24	24	23
10	E16	3	33
11	E16	24	33
12	G24	3	23
13	D13	24	39
14	G13	3	33
15	I40	24	11
16	I38	10	13
17	G24	21	23
18	D13	17	39
19	G13	21	33
20	E16	17	33
21	E16	21	33
22	G13	17	33
23	D13	21	39
24	G24	17	23
25	I38	24	13
26	W27	903	
27	K39	28	3
28	K39	27	3
	JACK	PIN	LG



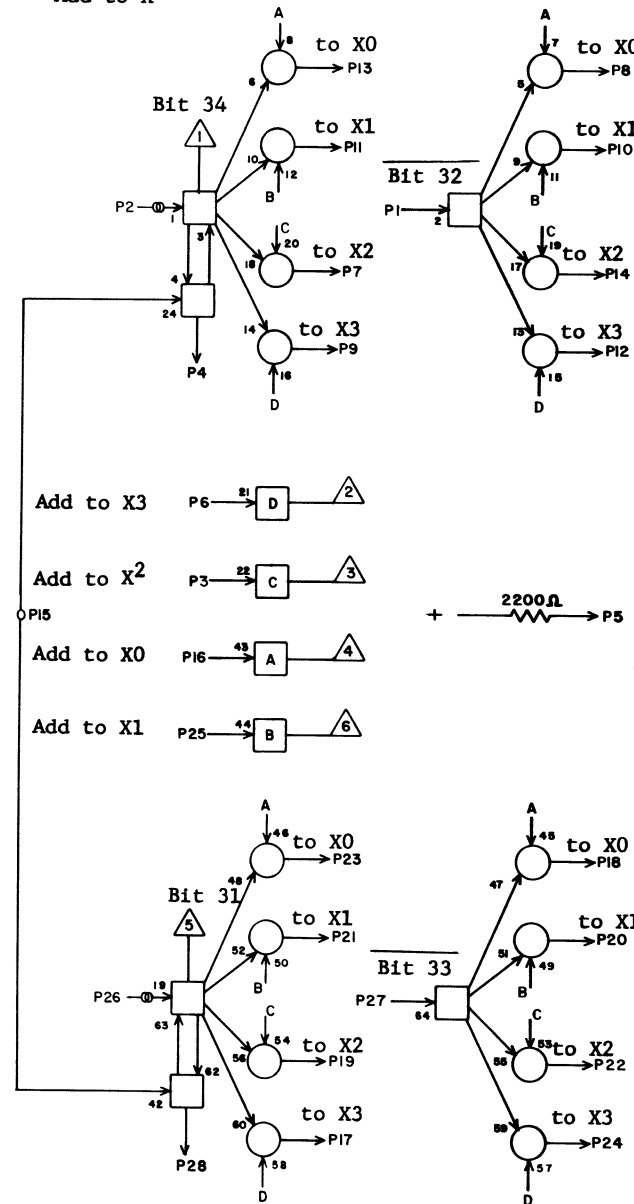
Entry Control: Trunk  
Add to X



RA 7K41

JACK	PIN	LG
1	K42	4 3
2	W27	904
3	I42	12 11
4	K42	1 3
5		
6	I42	26 11
7	N25	3 21
8	L25	24 17
9	O25	3 23
10	M25	24 19
11	M25	3 19
12	O25	24 23
13	L25	3 17
14	N25	24 21
15	I40	22 11
16	I41	12 11
17	O25	17 23
18	L25	21 17
19	N25	17 21
20	M25	21 29
21	M25	17 19
22	N25	21 21
23	L25	17 17
24	O25	21 23
25	I41	26 11
26	W27	905
27	K42	28 3
28	K42	27 3

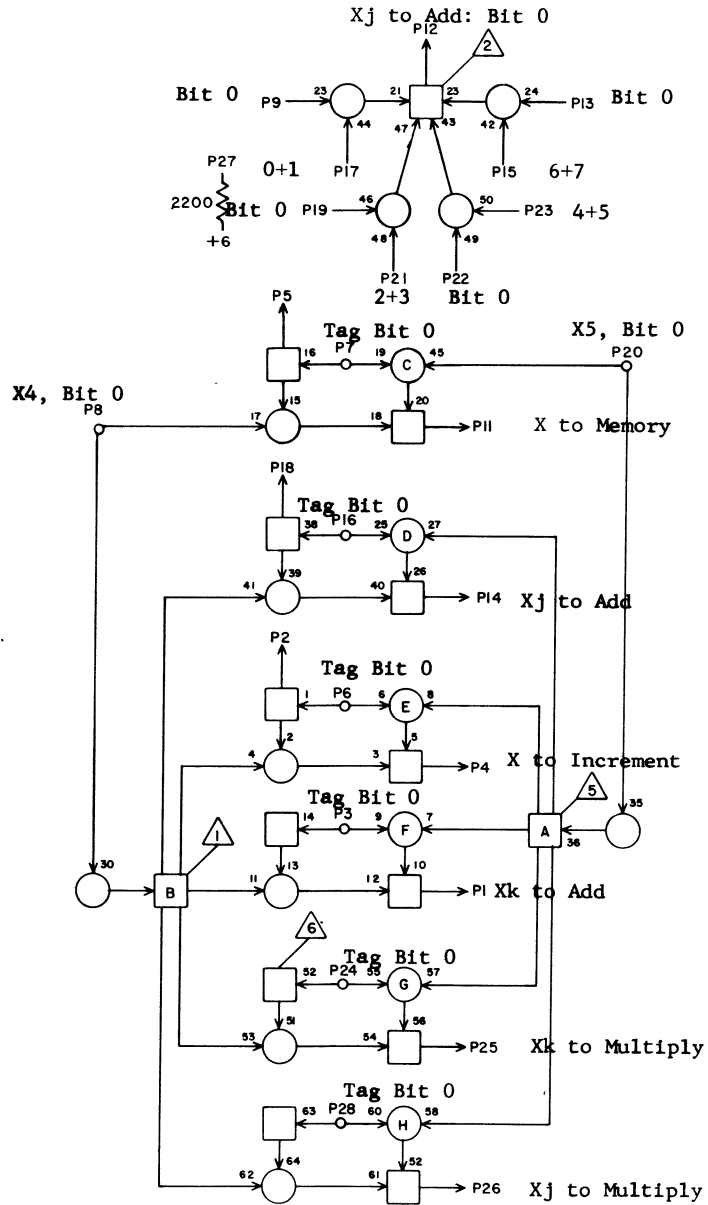
Entry Control  
Add to X



RA 7K42

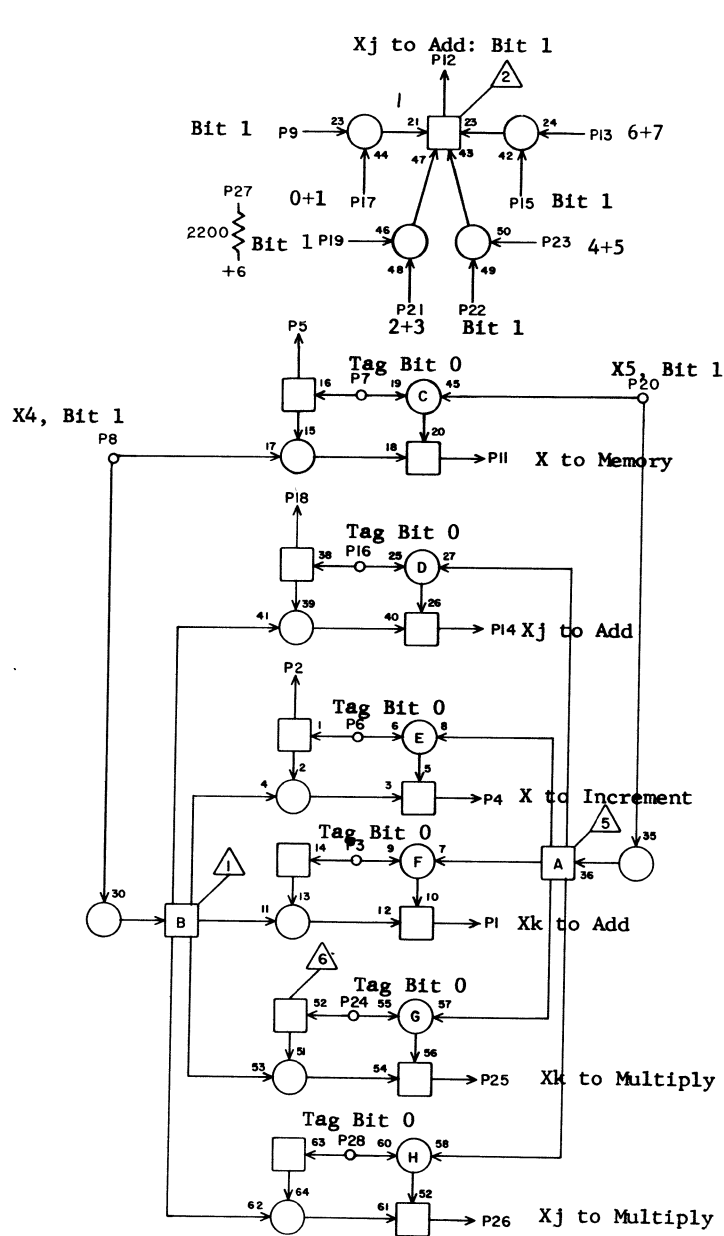
JACK	PIN	LG
1	K41	4 3
2	W27	906
3	I39	12 11
4	K41	1 3
5		
6	I39	26 11
7	G14	24 33
8	D14	3 39
9	G25	24 25
10	E17	3 33
11	E17	24 33
12	G25	3 25
13	D14	24 39
14	G14	3 33
15	I40	20 11
16	I38	12 13
17	G25	21 25
18	D14	17 39
19	G14	21 33
20	E17	17 33
21	E17	21 33
22	G14	17 33
23	D14	21 39
24	G25	17 25
25	I38	26 13
26	W27	907
27	K41	28 3
28	K41	27 3

Exit Control: X Registers



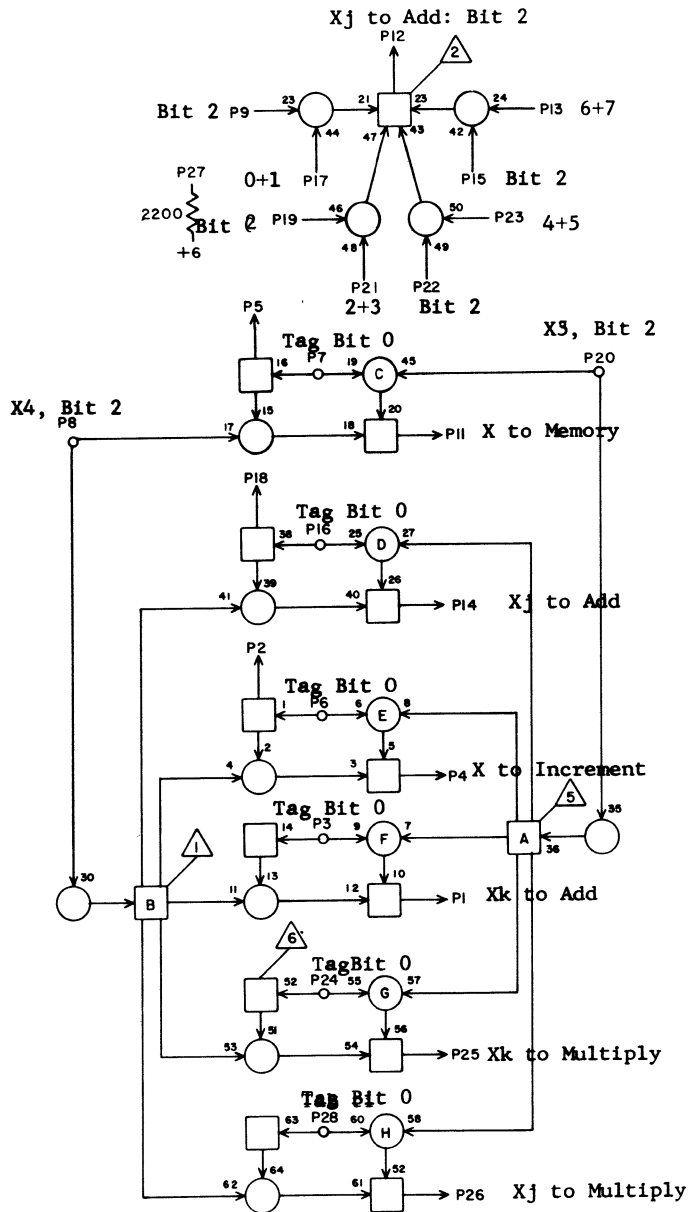
RF		7L 1	
1	M39	7	37
2	M 1	28	9
3	M 1	5	7
4	G 1	22	21
5	M 1	3	7
6	K 3	13	7
7	K 4	15	9
8	L16	11	17
9	B 1	14	37
10			
11	B 1	22	39
12	L35	7	33
13	K 2	25	5
14	L 1	22	3
15	O 1	14	15
16	K 4	25	9
17	K 1	15	7
18	M 1	24	9
19	G 1	14	23
20	M16	11	17
21	K 1	25	7
22	L 1	14	3
23	K 2	15	7
24	M 1	18	5
25	G29	4	33
26	I29	4	31
27			
28	M 1	2	3
	JACK	PIN	LG

Exit Control: X Registers



RF		7L 2	
1	M39	19	35
2	M 2	28	9
3	M 2	5	7
4	G 2	22	21
5	M 2	3	7
6	K 3	1	7
7	K 4	7	7
8	L16	16	17
9	B 2	14	39
10			
11	B 2	22	39
12	L35	19	33
13	K 2	23	5
14	L 2	22	3
15	O 2	14	15
16	K 4	23	7
17	K 1	7	9
18	M 2	24	9
19	G 2	14	23
20	M16	16	17
21	K 1	23	7
22	L 2	14	3
23	K 2	7	9
24	M 2	18	7
25	G29	20	33
26	I29	20	29
27			
28	M 2	2	3
	JACK	PIN	LG

Exit Control: X Registers

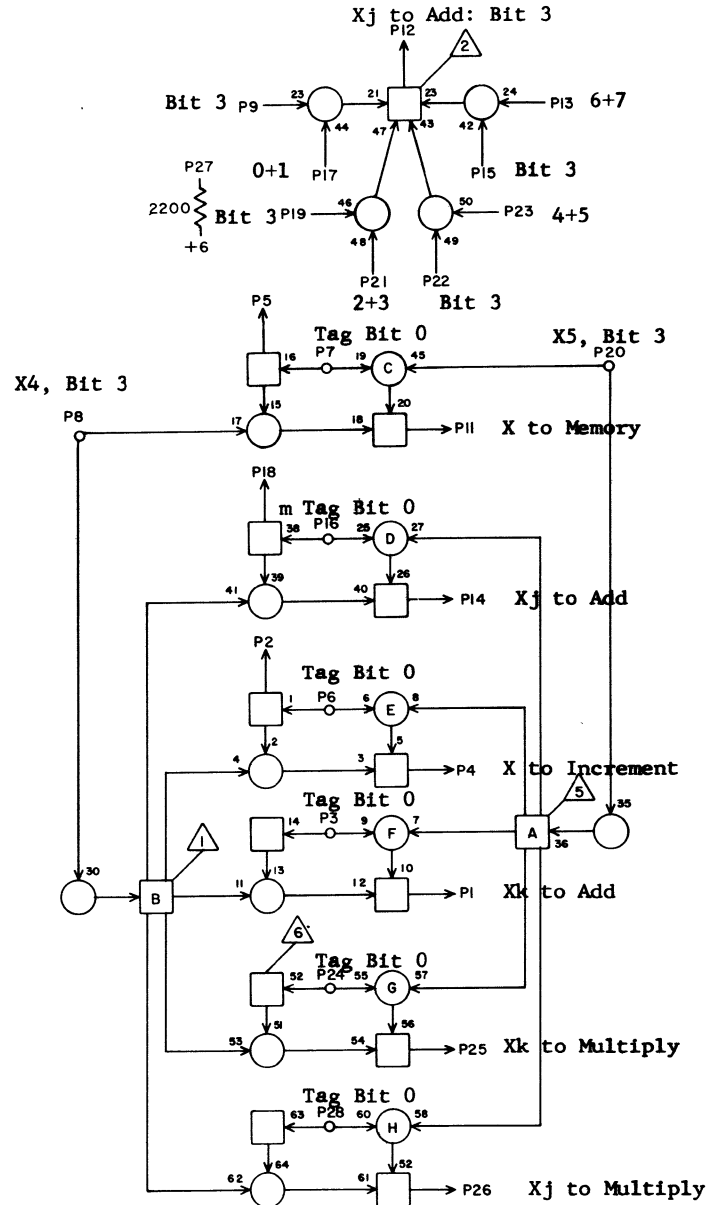


RF		7L 3	
1	M39	28	35
2	M 3	28	9
3	M 3	5	7
4	G 3	22	21
5	M 3	3	7
6	K 3	8	7
7	K 4	6	7
8	LL16	26	17
9	B 3	14	39
10			
11	B 3	22	39
12	L35	28	33
13	K 2	26	9
14	L 3	22	3
15	O 3	14	15
16	K 4	26	5
17	K 1	6	9
18	M 3	24	9
19	G 3	14	23
20	M16	26	17
21	K 1	26	9
22	L 3	14	3
23	K 2	6	9
24	M 3	18	7
25	G29	16	33
26	K29	16	29
27			
28	M 3	2	3

JACK PIN LG

63017300 Rev. D

Exit Control: X Registers

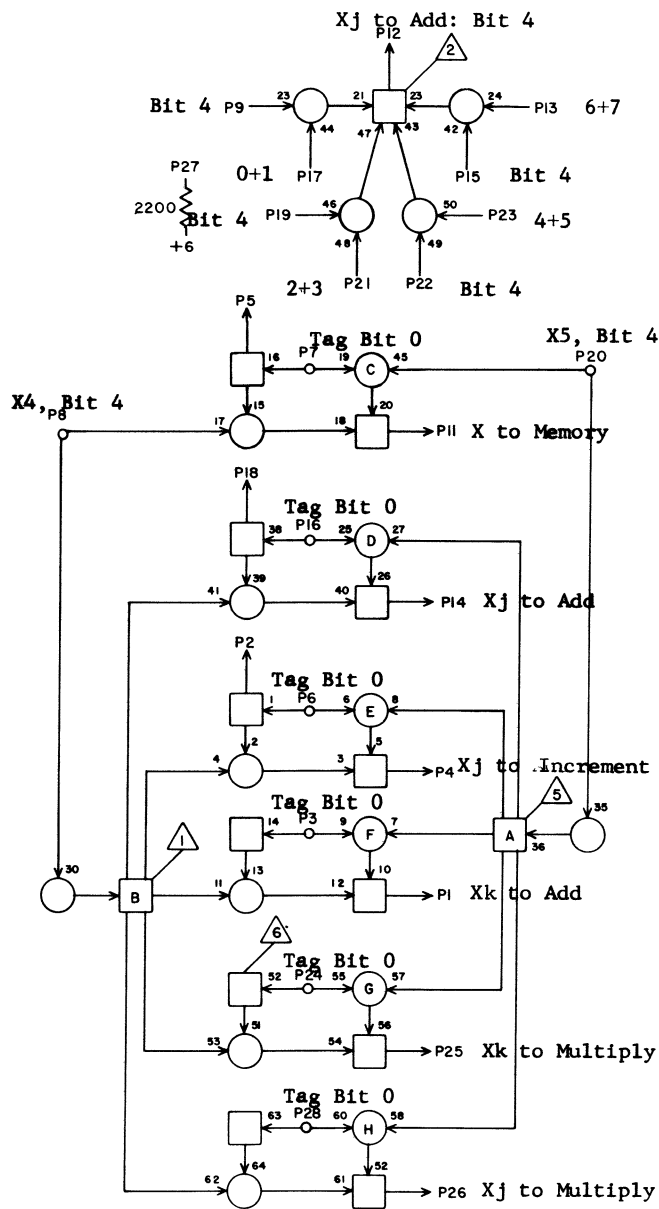


RF		7L 4	
1	M40	7	35
2	M 4	28	9
3	M 4	5	7
4	G 4	22	21
5	M 4	3	7
6	K 3	10	7
7	K 4	4	9
8	LL16	27	15
9	B 4	14	39
10			
11	B 4	22	39
12	L36	7	33
13	K 2	24	9
14	L 4	22	3
15	O 4	14	15
16	K 4	24	5
17	K 1	4	9
18	M 4	24	9
19	G 4	14	23
20	M16	27	15
21	K 1	24	9
22	L 4	14	3
23	K 2	4	9
24	M 4	18	5
25	G30	4	33
26	I30	4	29
27			
28	M 4	2	3

JACK PIN LG

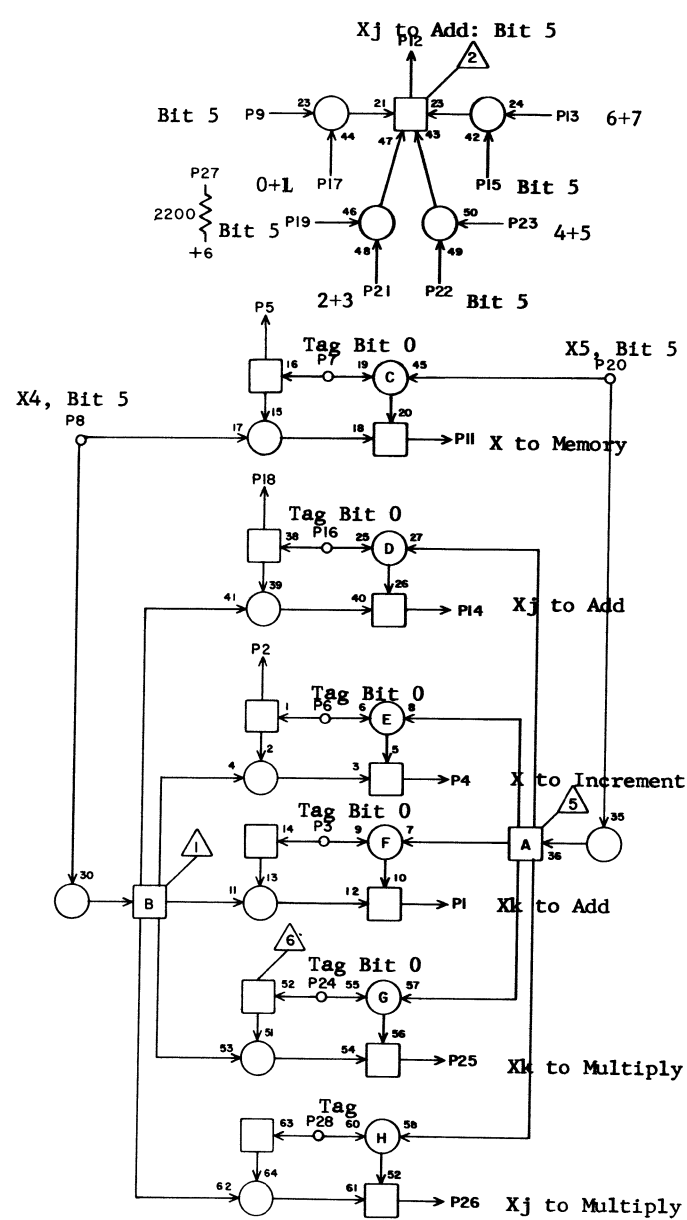
63017300 Rev. D

Exit Control: X Registers



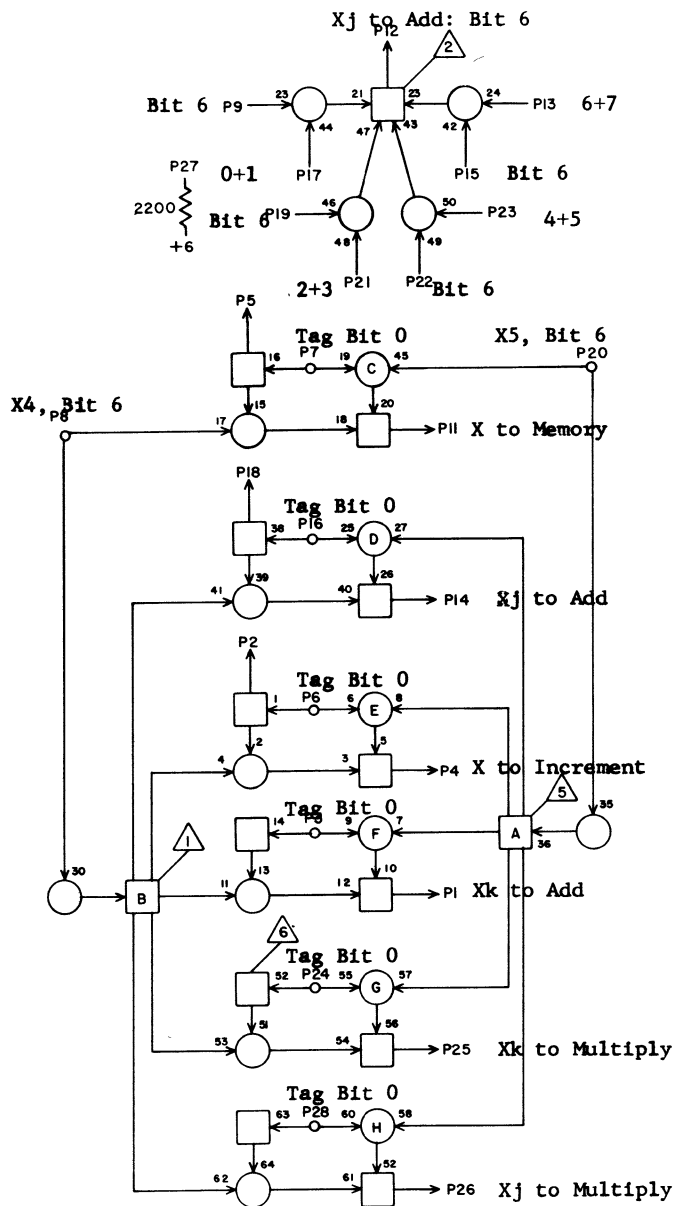
RF		7L 5	
JACK	PIN	PIN	LG
1	M40	19	35
2	M 5	28	9
3	M 5	5	7
4	G 5	22	21
5	M 5	3	7
6	K 3	12	7
7	K 4	9	7
8	L17	11	15
9	B 5	14	39
10			
11	B 5	22	39
12	L36	19	33
13	K 2	22	9
14	L 5	22	3
15	O 5	14	15
16	K 4	22	5
17	K 1	9	9
18	M 5	24	9
19	G 5	14	23
20	M17	11	15
21	K 1	22	9
22	L 5	14	3
23	K 2	9	9
24	M 5	18	5
25	G30	20	33
26	I30	20	27
27			
28	M 5	2	3

Exit Control: X Registers



RF		7L 6	
JACK	PIN	PIN	LG
1	M40	28	35
2	M 6	28	9
3	M 6	5	7
4	G 6	22	21
5	M 6	3	7
6	K 3	2	9
7	K 4	11	7
8	L17	16	13
9	B 6	14	39
10			
11	B 6	22	39
12	L36	28	29
13	K 2	20	11
14	L 6	22	3
15	O 6	14	15
16	K 4	20	7
17	K 1	11	9
18	M 6	24	9
19	G 6	14	23
20	M17	16	13
21	K 1	20	11
22	L 6	14	3
23	K 2	11	9
24	M 6	18	5
25	G30	16	33
26	I30	16	27
27			
28	M 6	2	3

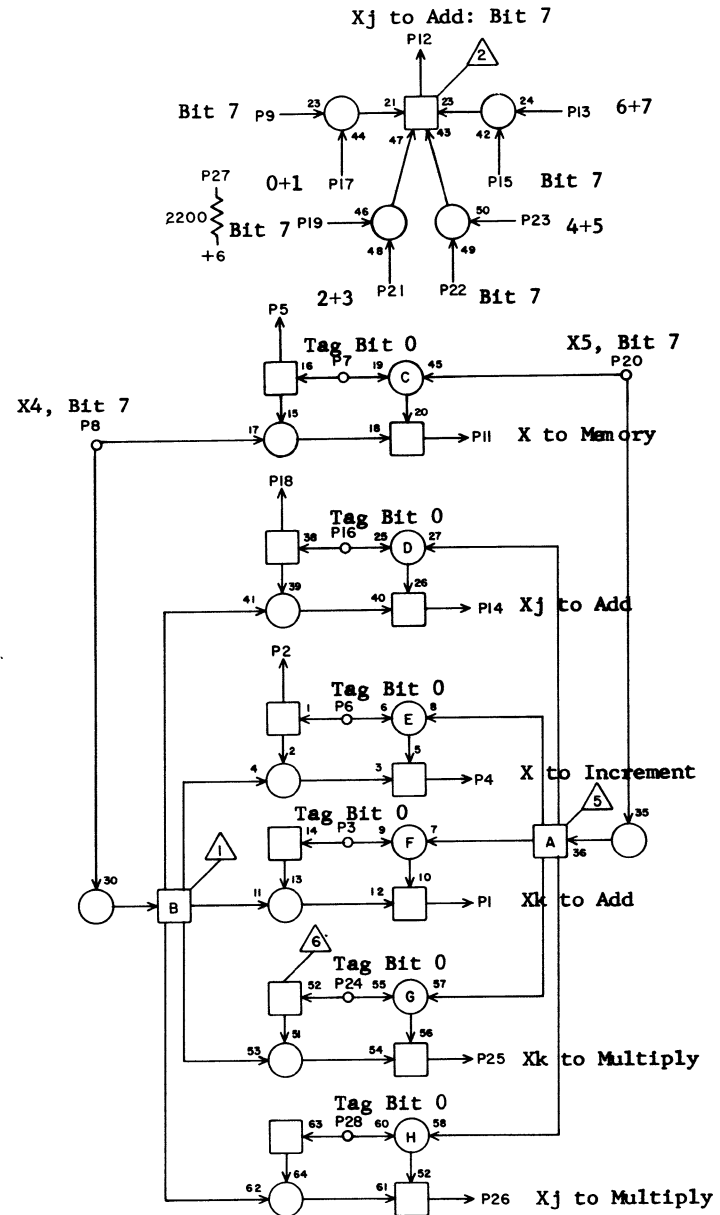
Exit Control: X Registers



RF	7L 7		
1	M41	7	33
2	M 7	28	9
3	M 7	5	7
4	G 7	22	21
5	M 7	3	7
6	K 3	25	7
7	K 4	13	9
8	LL7	26	13
9	B 7	14	39
10			
11	B 7	22	39
12	L37	7	29
13	K 2	18	11
14	L 7	22	3
15	O 7	14	15
16	K 4	18	9
17	K 1	13	11
18	M 7	24	9
19	G 7	14	23
20	M17	26	13
21	K 1	18	11
22	L 7	14	3
23	K 2	13	11
24	M 7	18	5
25	G31	4	33
26	I31	4	27
27			
28	M 7	2	3
	JACK	PIN	LG

63017300 Rev. D

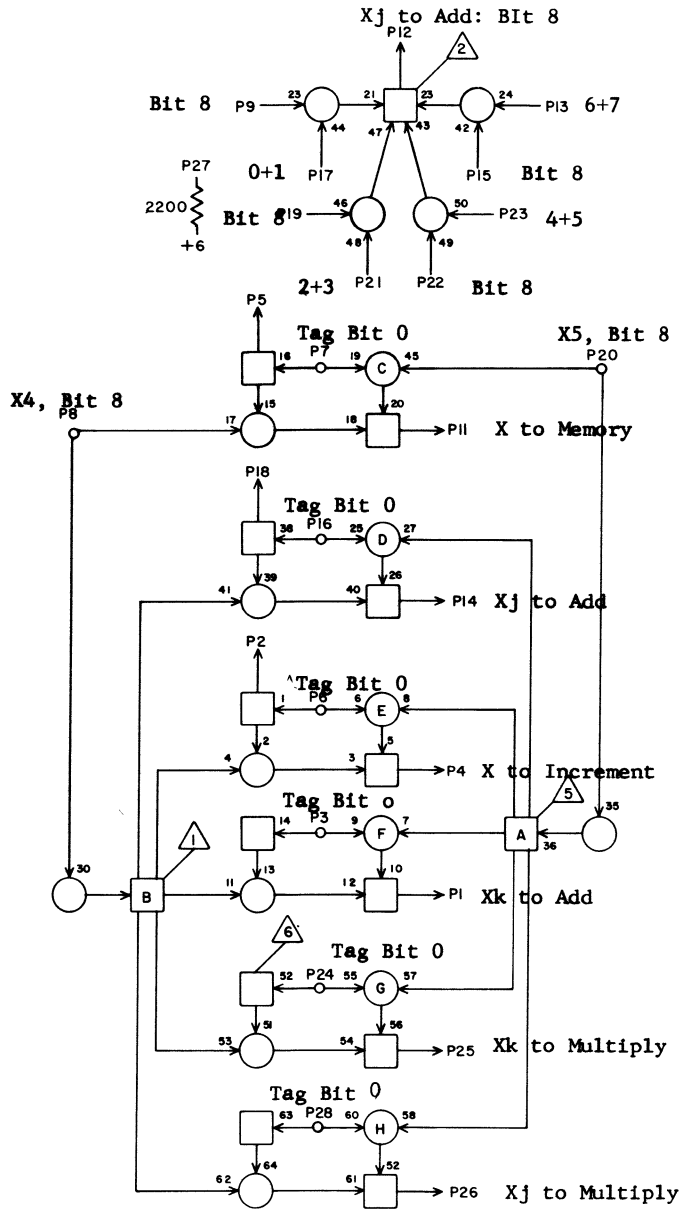
Exit Control: X Registers



RF	7L 8		
1	M41	19	35
2	M 8	28	9
3	M 8	5	7
4	G 8	22	21
5	M 8	3	7
6	K 3	23	9
7	K 4	1	9
8	LL7	27	13
9	B 8	14	39
10			
11	B 8	22	39
12	L37	19	29
13	K 2	28	11
14	L 8	22	3
15	O 8	14	15
16	K 4	28	9
17	K 1	1	11
18	M 8	24	9
19	G 8	14	23
20	M17	27	13
21	K 1	28	11
22	L 8	14	3
23	K 2	1	11
24	M 8	18	5
25	G31	20	33
26	I31	20	27
27			
28	M 8	2	3
	JACK	PIN	LG

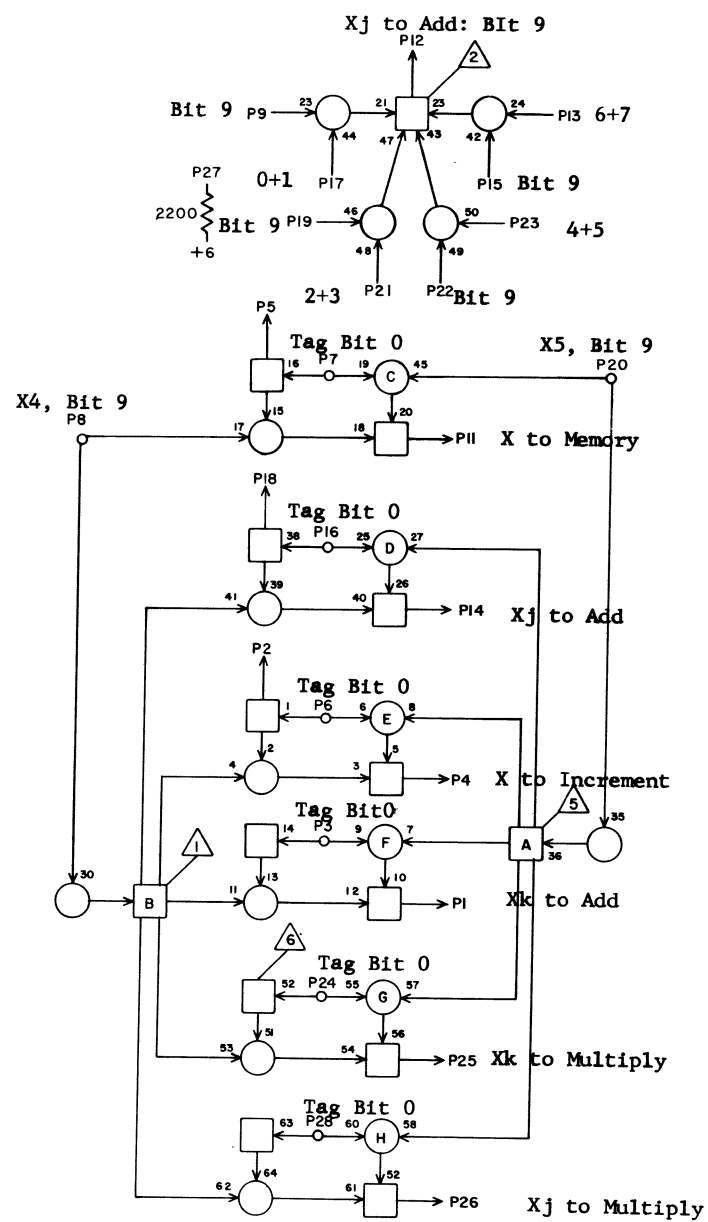
63017300 Rev. D

Exit Control: X Registers



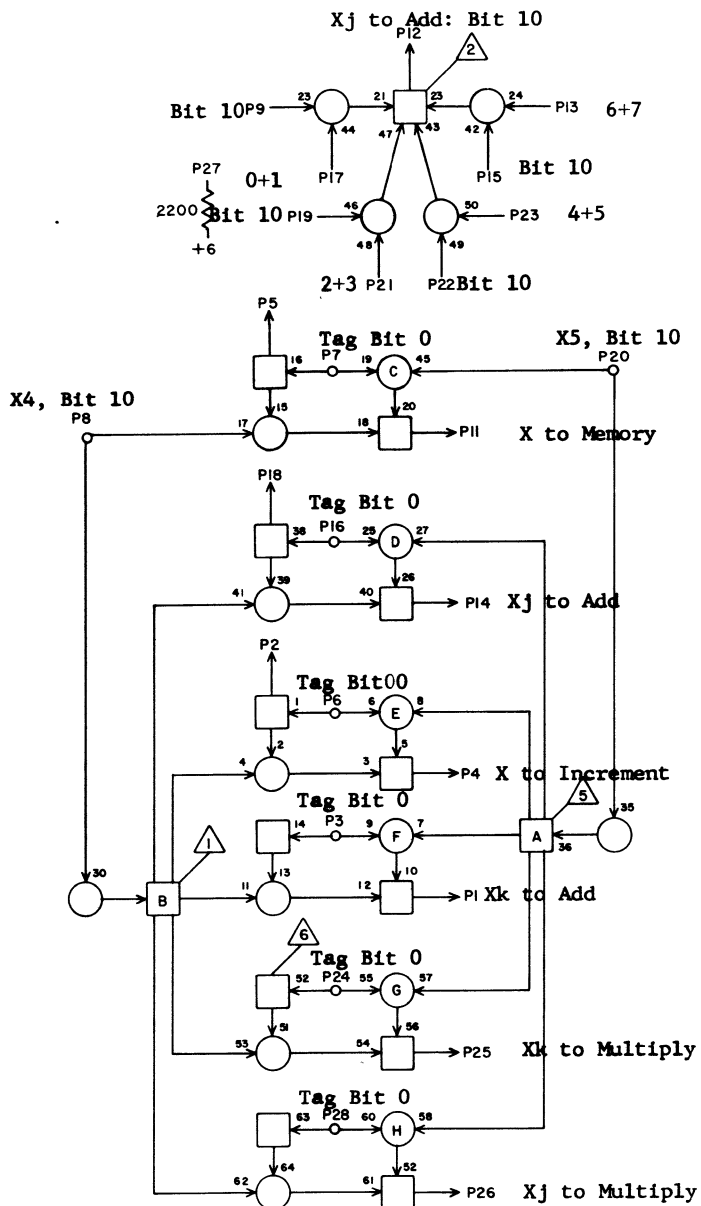
RF		7L 9	
1	M41	28	33
2	M 9	28	9
3	M 9	5	7
4	G 9	22	21
5	M 9	3	7
6	K 3	26	9
7	K 4	8	9
8	L18	11	11
9	B 9	14	39
10			
11	B 9	22	39
12	L37	28	27
13	K 2	21	11
14	L 9	22	3
15	O 9	14	15
16	K 4	21	9
17	K 1	8	13
18	M 9	24	9
19	G 9	14	23
20	M18	11	13
21	K 1	21	11
22	L 9	14	3
23	K 2	8	11
24	M 9	18	5
25	G31	16	33
26	I31	16	27
27			
JACK		PIN	LG

Exit Control: X Registers



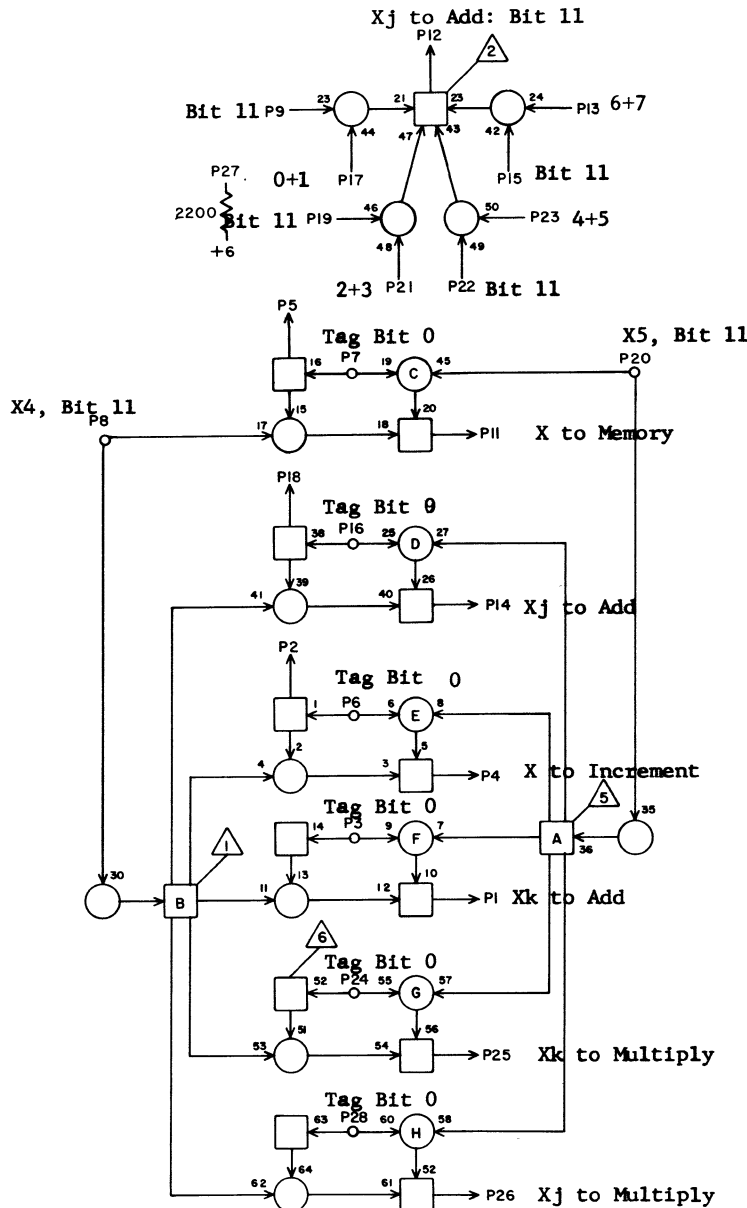
RF		7L10	
1	M42	7	33
2	M10	28	9
3	M10	5	7
4	H 1	22	19
5	M10	3	7
6	K23	25	15
7	K 4	10	11
8	L18	16	11
9	C 1	25	37
10			
11	C 1	22	37
12	L38	7	27
13	K 2	19	13
14	L10	22	3
15	O10	14	15
16	K 4	19	11
17	K 1	10	13
18	M10	24	9
19	H 1	25	19
20	M18	16	11
21	K 1	19	13
22	L10	14	3
23	K 2	10	13
24	M10	18	5
25	G32	4	33
26	I32	4	27
27			
JACK		PIN	LG

Exit Control: X Registers



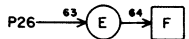
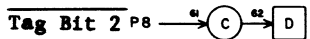
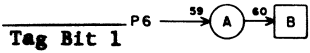
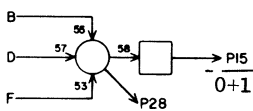
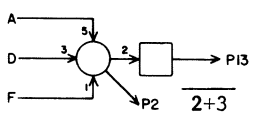
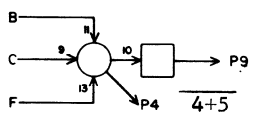
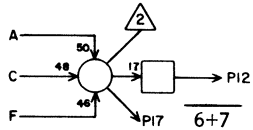
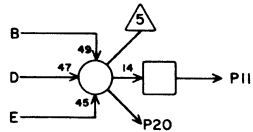
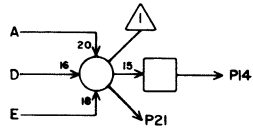
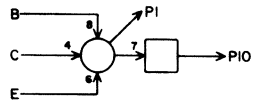
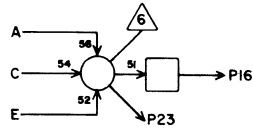
RF		7L11	
JACK	PIN	LG	
1	M42	19	29
2	M11	28	9
3	M11	5	7
4	H 2	22	19
5	M11	3	7
6	K23	23	15
7	K 4	12	11
8	L18	26	11
9	C 2	25	37
10			
11	C 2	22	37
12	L38	19	27
13	K 2	17	13
14	L11	22	3
15	O11	14	15
16	K 4	17	11
17	K 1	12	13
18	M11	24	9
19	H 2	25	19
20	M18	26	11
21	K 1	17	13
22	L11	14	3
23	K 2	12	13
24	M11	18	5
25	G32	20	29
26	I32	20	25
27			
28	M11	2	3

Exit Control: X Registers



RF		7L12	
JACK	PIN	LG	
1	M42	28	29
2	M12	28	9
3	M12	5	7
4	H 3	22	19
5	M12	3	7
6	K23	26	13
7	K 4	2	13
8	L18	27	9
9	C 3	25	37
10			
11	C 3	22	37
12	L38	28	25
13	K 2	27	13
14	L12	22	3
15	O12	14	
16	K 4	27	13
17	K 1	2	15
18	M12	24	9
19	H 3	25	19
20	M18	27	11
21	K 1	27	13
22	L12	14	3
23	K 2	2	15
24	M12	18	5
25	G32	16	29
26	I32	16	25
27			
28	M12	2	3

Exit Control  
X to Increment

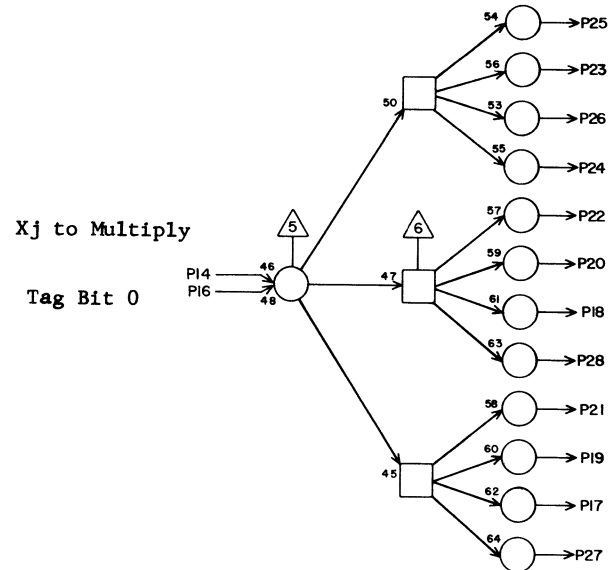
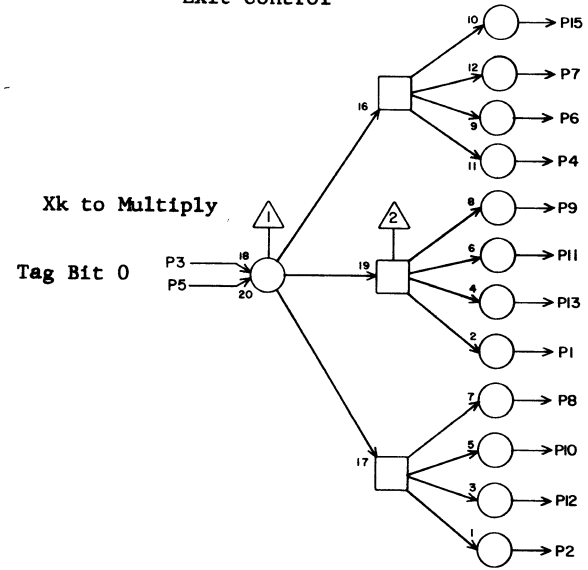


IV 7L13

1			
2	G10	14	23
3			
4	H10	3	19
5			
6	J28	12	19
7			
8	J28	14	19
9	J10	26	11
10			
11			
12	J10	25	11
13	J10	3	13
14			
15	J10	6	13
16			
17	H10	14	19
18			
19			
20			
21			
22			
23			
24			
25			
26	GND		2
27			
28	G10	3	25

JACK PIN LG

Exit Control



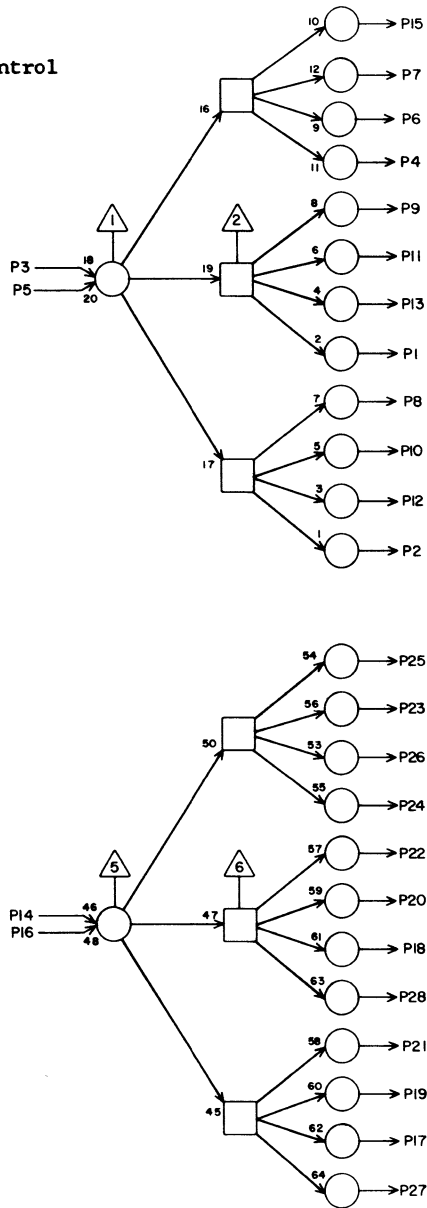
TC 7L14

1	P 2	16	23
2	P 6	16	19
3	K 7	2	11
4	N10	16	13
5	GRD		2
6	N 9	16	13
7	N 8	16	13
8	P 3	16	21
9	N11	16	13
10	P 4	16	21
11	N12	16	11
12	P 5	16	21
13	P 1	16	23
14	K 7	26	11
15	N 7	16	13
16	GRD		2
17	P 5	6	19
18	P 1	6	21
19	P 4	6	19
20	N12	6	11
21	P 3	6	19
22	N11	6	11
23	N 8	6	13
24	N10	6	11
25	N 7	6	13
26	N 9	6	11
27	P 6	6	19
28	P 2	6	21

JACK PIN LG



Exit Control  
 $\frac{X_j \text{ to Add}}{0+1}$

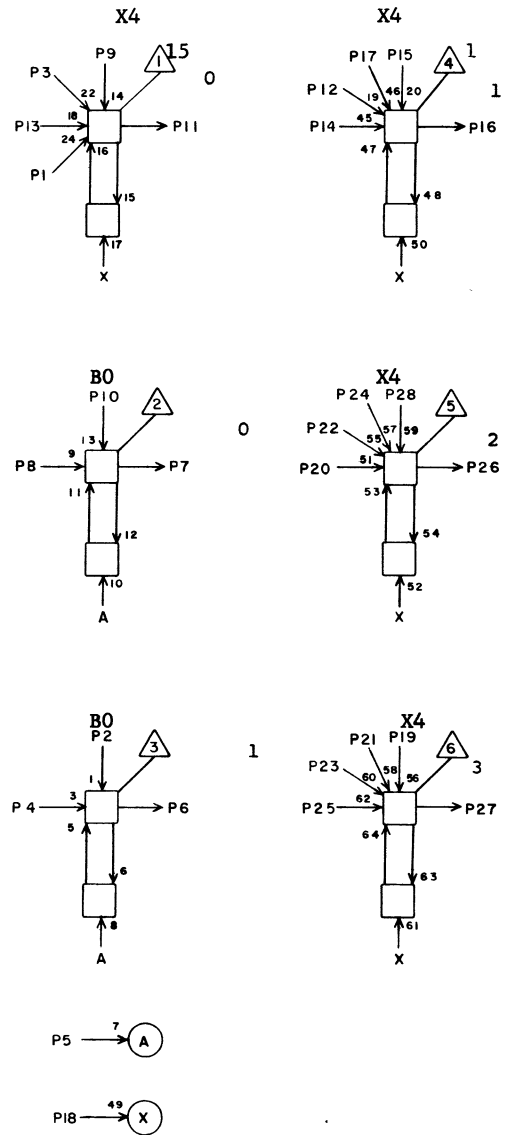


$\frac{2+3}{}$

TC		7L15	
JACK	PIN	LG	
1	M 8	17	11
2	M12	17	9
3	K 9	18	11
4	M 4	17	15
5	GRD		2
6	M 3	17	17
7	M 2	17	17
8	M 9	17	11
9	M 5	17	13
10	M10	17	11
11	M 6	17	13
12	M11	17	9
13	M 7	17	11
14	K 9	21	9
15	M 1	17	17
16	GRD		2
17	M11	21	9
18	M 7	21	11
19	M10	21	9
20	M 6	21	11
21	M 9	21	11
22	M 5	21	13
23	M 2	21	17
24	M 4	21	13
25	M 1	21	17
26	M 3	21	17
27	M12	21	9
28	M 8	21	11

63017300 Rev. D

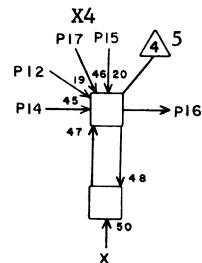
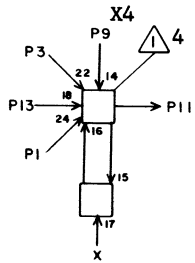
Operating Registers



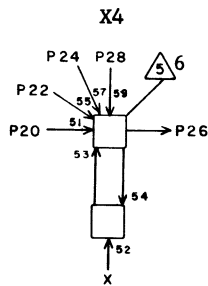
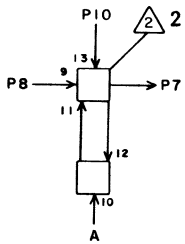
RD		7L16	
JACK	PIN	LG	
1	J20	6	11
2	O38	23	27
3	H38	8	27
4	M29	23	17
5	L21	2	9
6	O28	20	21
7	O27	20	19
8	M29	11	17
9	H13	8	19
10	O38	13	27
11	L 1	8	17
12	D35	18	39
13	D35	8	39
14	J20	5	11
15	H13	18	19
16	L 2	8	17
17	H38	18	27
18	N21	2	11
19	H13	23	19
20	J20	2	11
21	H38	23	27
22	D35	13	39
23	D35	23	39
24	H38	13	27
25	J20	7	11
26	L 3	8	17
27	L 4	8	15
28	H13	11	19

63017300 Rev. D

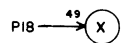
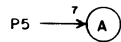
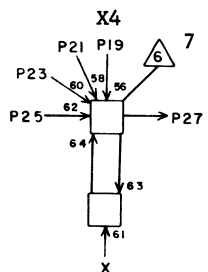
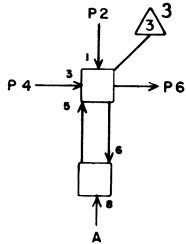
Operating Registers



B0



B0

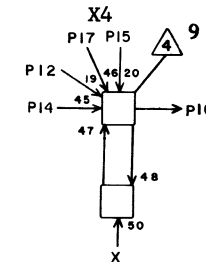
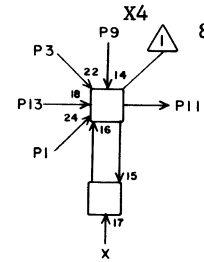


RD 7L17

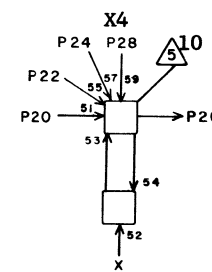
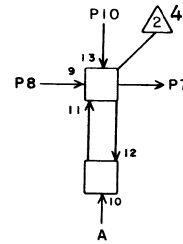
1	J20	9	11
2	O38	18	25
3	H40	8	27
4	M29	18	15
5	L21	4	5
6	O30	20	21
7	O29	20	21
8	M29	8	15
9	H15	8	19
10	O38	8	25
11	L 5	8	15
12	D37	18	39
13	D37	8	39
14	J20	12	11
15	H15	18	19
16	L 6	8	13
17	H40	18	27
18	N21	4	11
19	H15	23	19
20	J21	6	13
21	H40	23	27
22	D37	13	39
23	D37	23	39
24	H40	13	27
25	J21	5	13
26	L 7	8	13
27	L 8	8	13
28	H15	11	19

JACK PIN LG

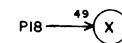
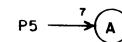
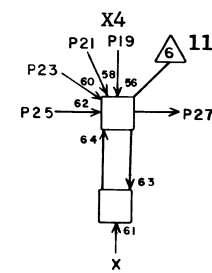
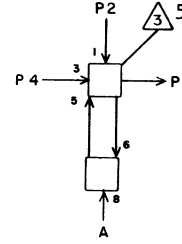
Operating Registers



B0



B0

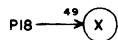
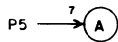
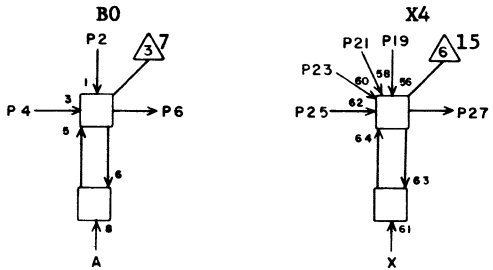
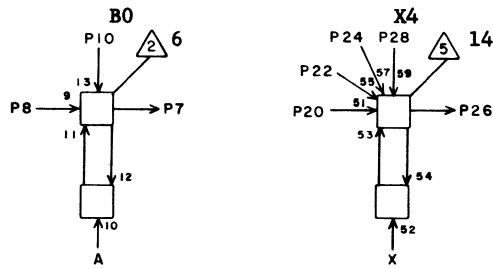
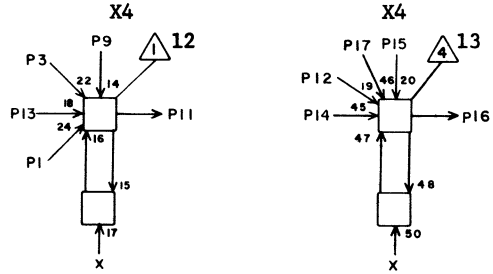


RD 7L18

1	J21	2	11
2	O40	23	27
3	H42	8	29
4	M31	23	17
5	L21	6	5
6	O32	20	21
7	O31	20	21
8	M31	11	17
9	H18	8	19
10	O40	13	27
11	L 9	8	11
12	D39	18	39
13	D39	8	39
14	J21	7	11
15	H18	18	19
16	L10	8	11
17	H42	18	29
18	N21	6	11
19	H18	23	19
20	J21	9	11
21	H42	23	29
22	D39	13	39
23	D39	23	39
24	H42	13	29
25	J21	12	11
26	L11	8	11
27	L12	8	9
28	H18	11	19

JACK PIN LG

Operating Registers



RD

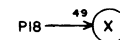
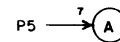
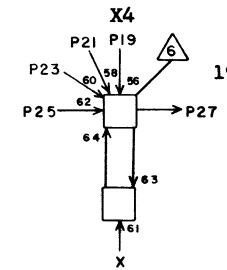
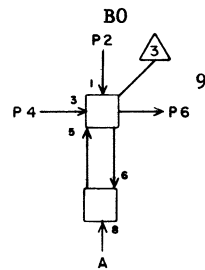
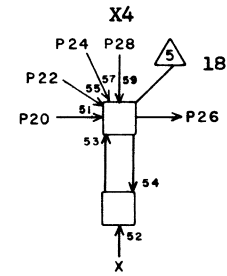
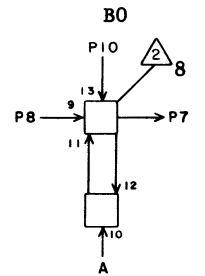
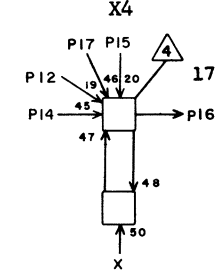
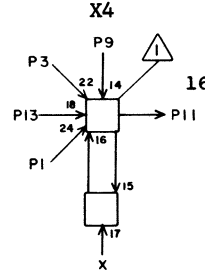
7L19

1	J22	6	11
2	O40	18	25
3	J38	8	21
4	M31	18	15
5	L21	9	5
6	O34	20	21
7	O33	20	21
8	M31	8	15
9	H22	8	19
10	O40	8	25
11	M 1	20	21
12	D41	18	39
13	D41	8	39
14	J22	5	11
15	H22	18	19
16	M 2	20	19
17	J38	18	21
18	N21	9	11
19	H22	23	19
20	J22	2	11
21	J38	23	21
22	D41	13	39
23	D41	23	39
24	J38	13	21
25	J22	7	11
26	M 3	20	19
27	M 4	20	19
28	H22	11	19

JACK PIN LG

63017300 Rev. D

Operating Registers



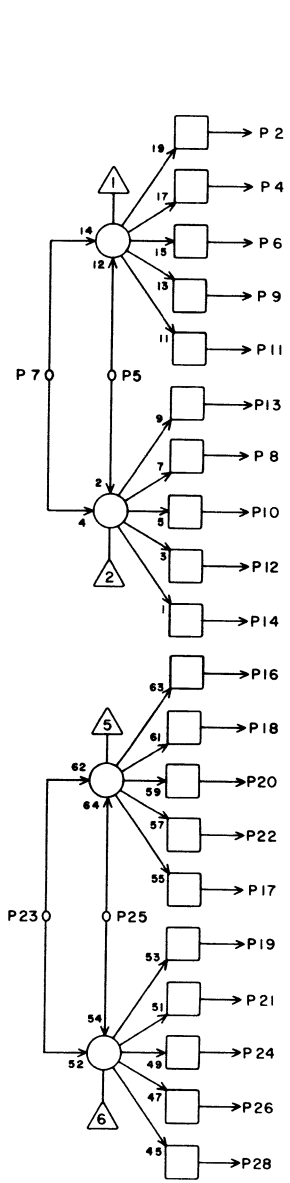
RD

7L20

1	J22	9	11
2	O42	23	27
3	J40	8	21
4	M33	23	17
5	L21	11	5
6	P25	20	21
7	P24	20	19
8	M33	11	17
9	J11	8	15
10	O42	13	27
11	M 5	20	19
12	E34	18	31
13	E34	8	31
14	J22	12	11
15	J11	18	15
16	M 6	20	17
17	J40	18	21
18	N21	11	11
19	J11	23	15
20	J23	6	13
21	J40	23	21
22	E34	13	31
23	E34	23	31
24	J40	13	21
25	J23	5	13
26	M 7	20	17
27	M 8	20	17
28	J11	11	15

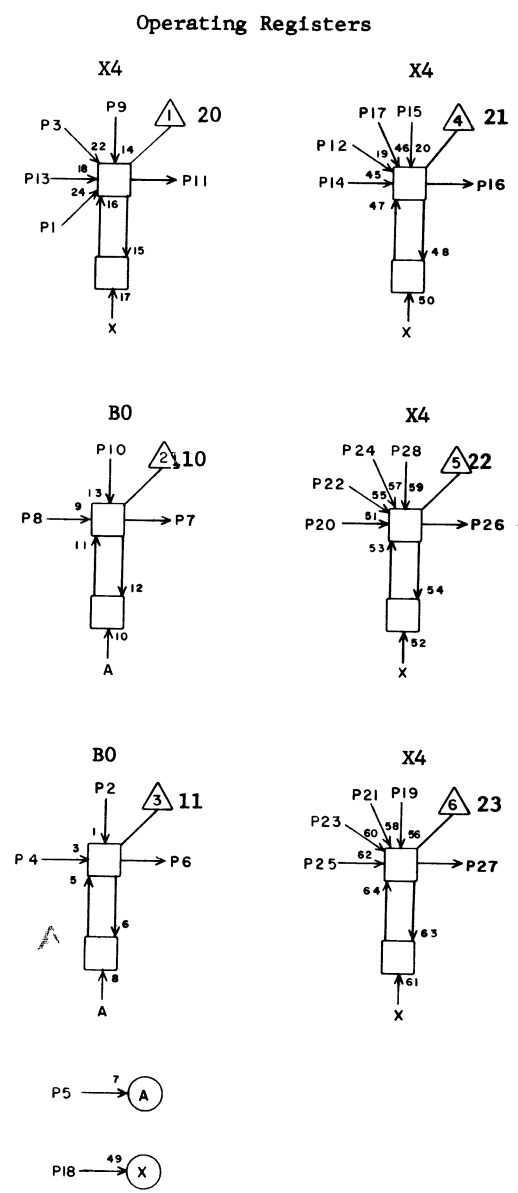
JACK PIN LG

63017300 Rev. D



HC		7L21	
JACK	PIN	LG	
1			
2	L16	5	9
3			
4	L17	5	5
5	J36	11	19
6	L18	5	5
7	GRD		2
8	L23	5	5
9	L19	5	5
10	L24	5	5
11	L20	5	5
12	L25	5	7
13	L22	5	5
14			
15			
16	M16	5	9
17	M20	5	5
18	M17	5	7
19	M22	5	5
20	M18	5	7
21	M23	5	5
22	M19	5	5
23	I17	18	15
24	M24	5	7
25	F21	24	25
26	M25	5	7
27			
28			

63017300 Rev. K

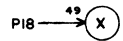
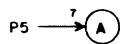
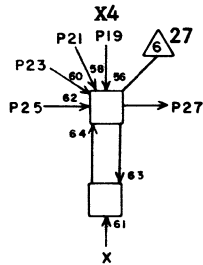
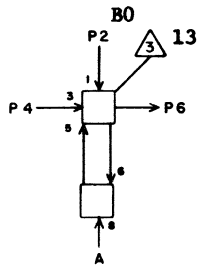
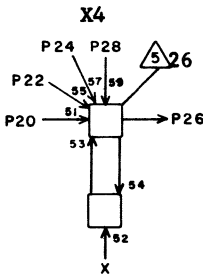
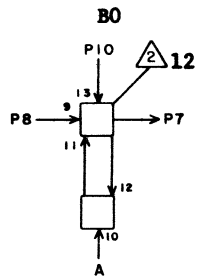
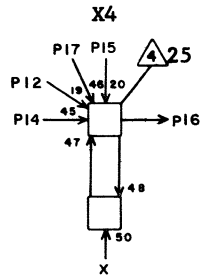
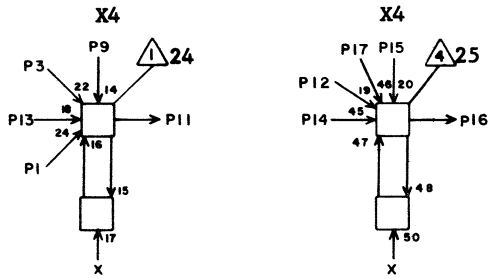


7L22

RD		7L22	
JACK	PIN	LG	
1	J23	2	11
2	O42	18	25
3	J42	8	21
4	M33	18	15
5	L21	13	5
6	P27	20	21
7	P26	20	19
8	M33	8	15
9	J13	8	15
10	O42	8	25
11	M 9	20	17
12	E36	18	31
13	E36	8	31
14	J23	7	11
15	J13	18	15
16	M10	20	17
17	J42	18	21
18	N21	13	11
19	J13	23	15
20	J23	9	11
21	J42	23	21
22	E36	13	31
23	E36	23	31
24	J42	13	21
25	J23	12	11
26	M11	20	13
27	M12	20	13
28	J13	11	15

63017300 Rev. D

Operating Registers



RD

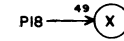
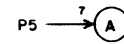
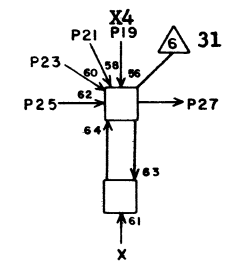
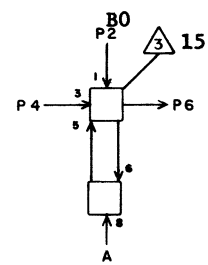
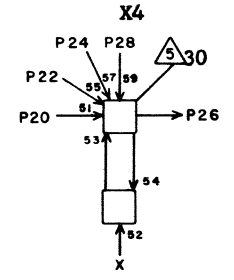
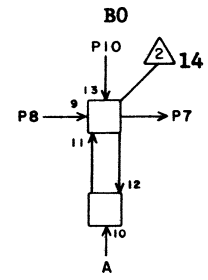
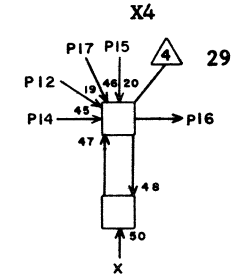
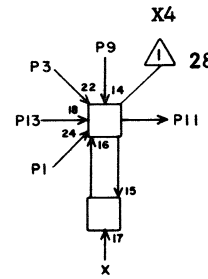
7L23

1	J24	6	11
2	P39	23	25
3	K37	13	15
4	N30	23	15
5	L21	8	5
6	P29	20	21
7	P28	20	21
8	N30	11	13
9	J15	8	15
10	P39	13	25
11	N 1	8	23
12	E38	18	33
13	E38	8	31
14	J24	5	11
15	J15	18	15
16	N 2	8	23
17	K37	23	15
18	N21	8	11
19	J15	23	15
20	J24	2	11
21	K37	18	15
22	E38	13	33
23	E38	23	33
24	K37	8	15
25	J24	7	11
26	N 3	8	21
27	N 4	8	21
28	J15	11	15

JACK PIN LG

63017300 Rev. D

Operating Registers



RD

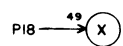
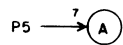
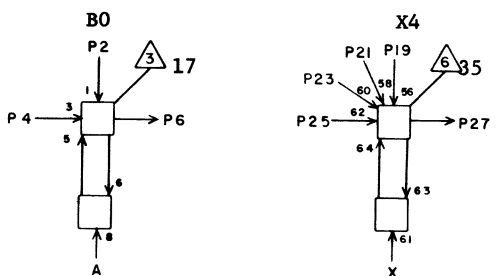
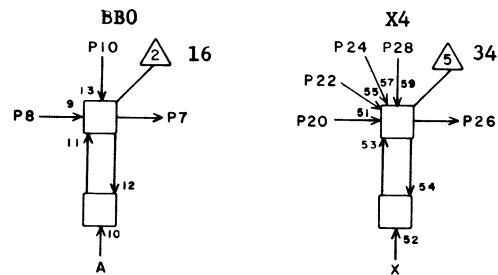
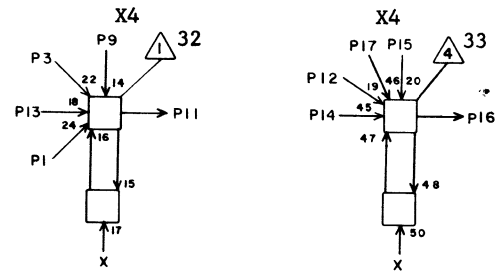
7L24

1	J24	9	11
2	P39	18	25
3	K39	13	17
4	N30	18	13
5	L21	10	5
6	P31	20	21
7	P30	20	21
8	N30	8	13
9	J17	8	13
10	P39	8	25
11	N 5	8	23
12	E40	18	33
13	E40	8	33
14	J24	12	11
15	J17	18	13
16	N 6	8	21
17	K39	23	17
18	N21	10	11
19	J17	23	13
20	J25	6	13
21	K39	18	17
22	E40	13	35
23	E40	23	33
24	K39	8	17
25	J25	5	13
26	N 7	20	19
27	N 8	20	19
28	J17	11	13

JACK PIN LG

63017300 Rev. D

Operating Registers



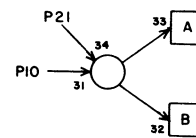
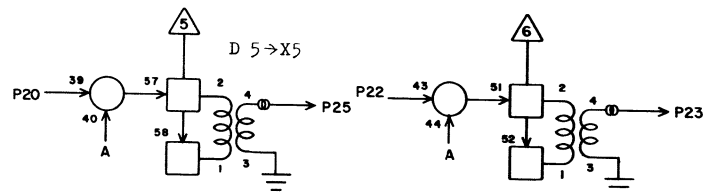
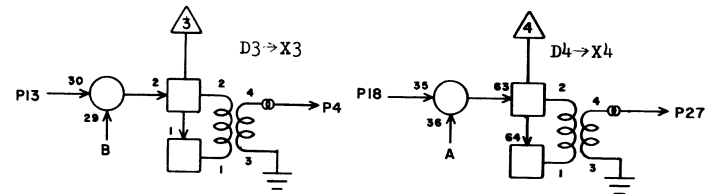
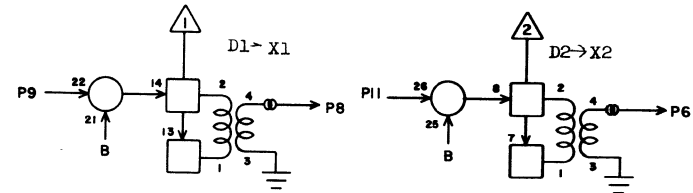
RD 7L25

1	J25	2	11
2	P41	23	25
3	K41	13	17
4	N32	23	13
5	L21	12	7
6	P33	20	21
7	P32	20	21
8	N32	11	13
9	J19	8	13
10	P41	13	25
11	N 9	20	21
12	E42	18	33
13	E42	8	33
14	J25	7	11
15	J19	18	13
16	N10	20	21
17	K41	23	17
18	N21	12	11
19	J19	23	13
20	J25	9	11
21	K41	18	17
22	E42	13	33
23	E42	23	33
24	K41	8	17
25	J25	12	11
26	N11	20	17
27	N12	20	17
28	J19	11	13

JACK PIN LG

63017300 Rev. D

Entry Control  
D to X Pass on to Chassis 8



PL 7L26

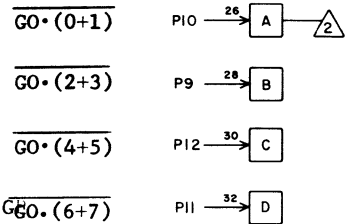
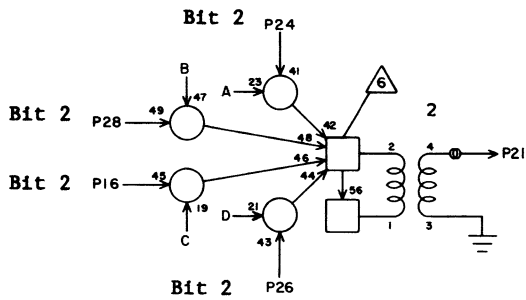
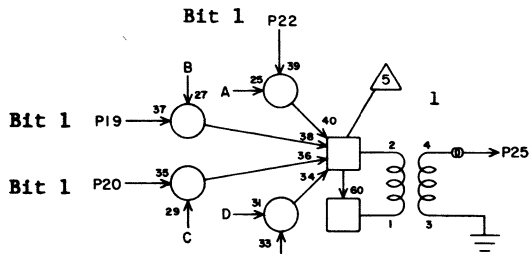
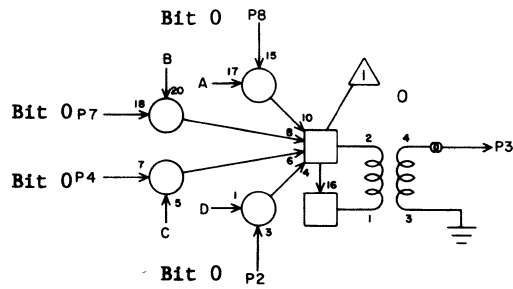
1			
2			
3			
4	W30	92	
5			
6	W30	91	
7			
8	W30	90	
9	J26	9	11
10	I14	9	19
11	J26	1	13
12			
13	J26	13	15
14			
15			
16			
17			
18	J26	18	11
19			
20	J26	28	11
21			
22			
23			
24			
25	W30	94	
26			
27	W30	93	
28			

JACK PIN LG

63017300 Rev. D

7L26

Exit Control: Trunk  
Bk to Increment

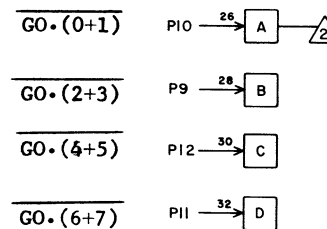
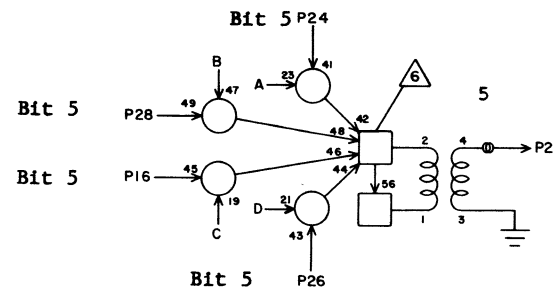
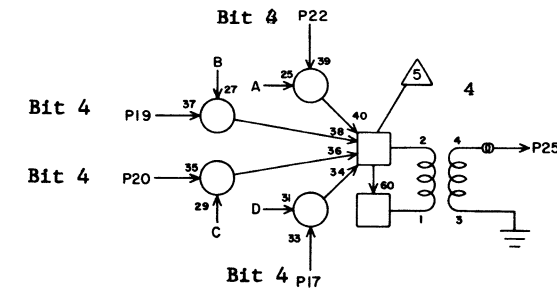
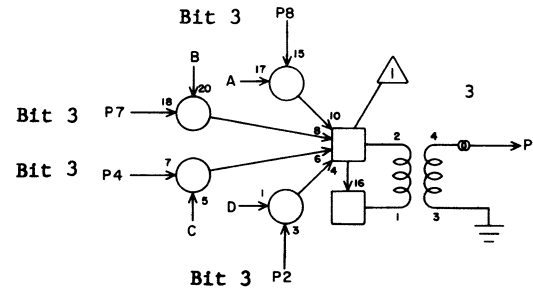


RG		7L27	
1			
2	Q34	1	23
3	W23	900	
4	Q24	1	21
5			
6			
7	Q13	1	25
8	O27	1	17
9	L33	27	9
10	L33	10	9
11	K25	10	9
12	L33	21	9
13			
14			
15			
16	Q26	1	21
17	Q35	28	25
18			
19	Q14	28	25
20	Q25	28	23
21	W23	902	
22	O28	28	17
23			
24	O29	1	13
25	W23	901	
26	Q36	1	25
27			
28	Q15	1	23

JACK PIN LG

63017300 Rev. L

Exit Control: Trunk  
Bk to Increment

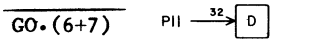
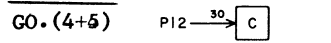
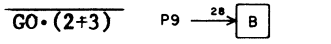
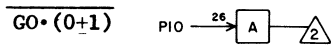
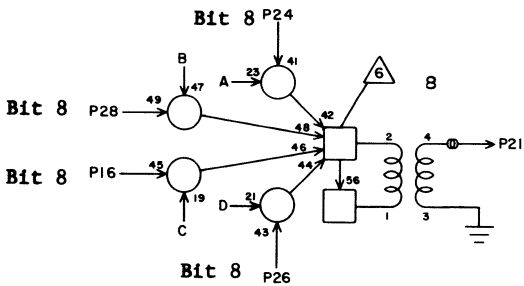
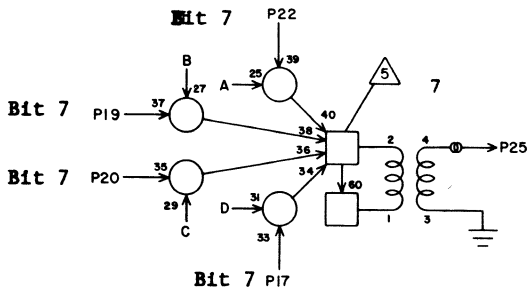
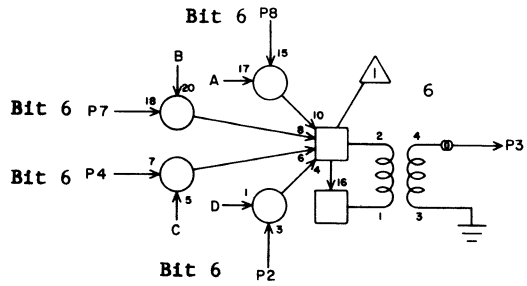


RG		7L28	
1			
2	Q37	28	25
3	W23	903	
4	Q27	28	25
5			
6			
7	Q16	28	25
8	O30	28	17
9	L33	25	9
10	L33	8	9
11	K25	8	9
12	L33	19	9
13			
14			
15			
16	Q29	28	25
17	Q38	1	25
18			
19	Q17	1	23
20	Q28	1	25
21	W23	905	
22	O31	1	17
23			
24	O32	28	17
25	W23	904	
26	Q39	28	25
27			
28	Q18	28	25

JACK PIN LG

63017300 Rev. B

Exit Control: Trunk  
Bk to Increment

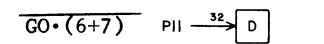
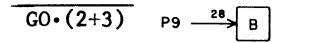
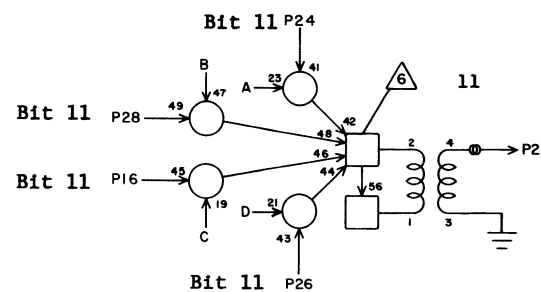
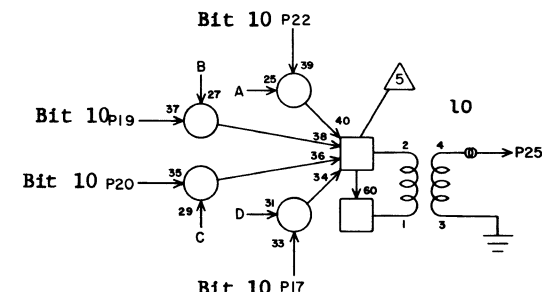
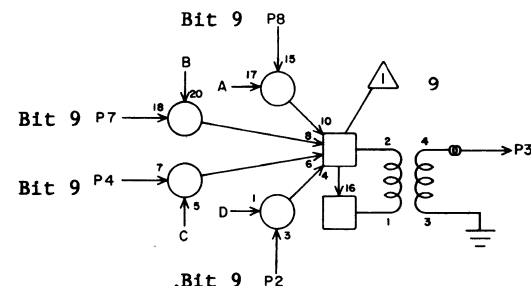


RG 7L29

1			
2	Q40	1	25
3	W23	906	
4	Q30	1	23
5			
6			
7	Q19	1	25
8	O33	1	15
9	L33	24	7
10	L33	5	7
11	K25	5	9
12	L33	17	7
13			
14			
15			
16	Q32	1	23
17	Q41	28	25
18			
19	Q20	28	25
20	Q31	28	25
21	W23	908	
22	O34	28	17
23			
24	P24	1	21
25	W23	907	
26	Q42	1	25
27			
28	Q21	1	25

JACK PIN LG

Exit Control: Trunk  
Bk to Increment



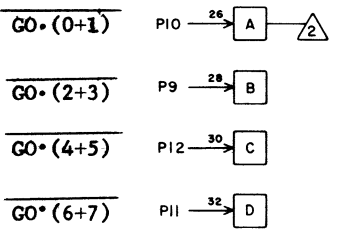
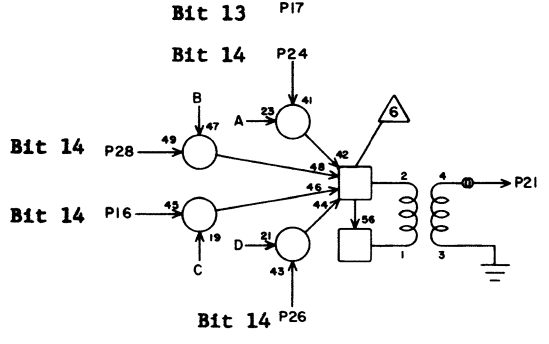
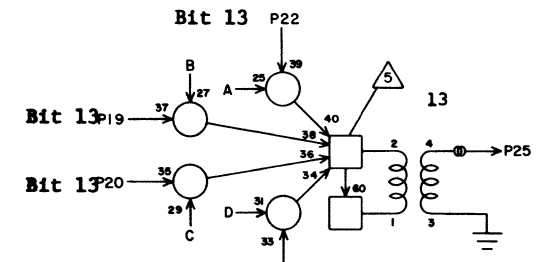
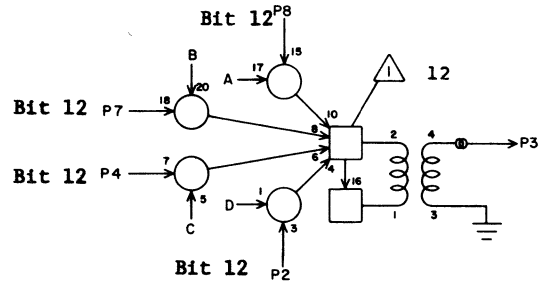
RG 7L30

1			
2	R34	28	29
3	W23	90	
4	R24	28	29
5			
6			
7	R13	28	33
8	P25	28	21
9	L33	23	5
10	L33	3	5
11	K25	3	9
12	L33	15	5
13			
14			
15			
16	R26	28	29
17	R35	1	27
18			
19	R14	1	33
20	R25	1	27
21	W23	92	
22	P26	1	17
23			
24	P27	28	21
25	W23	91	
26	R36	28	27
27			
28	R15	28	33

JACK PIN LG

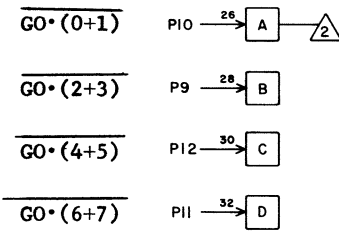
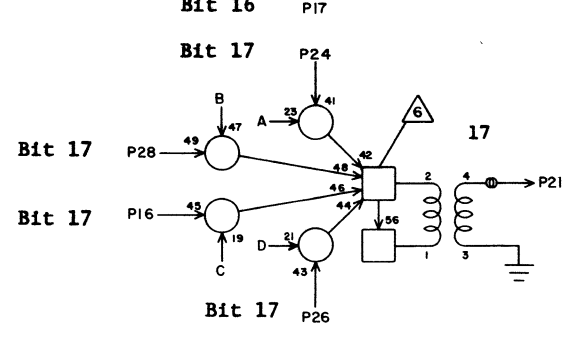
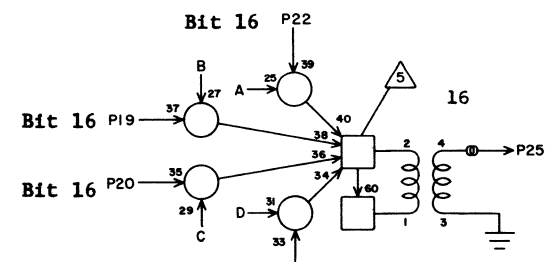
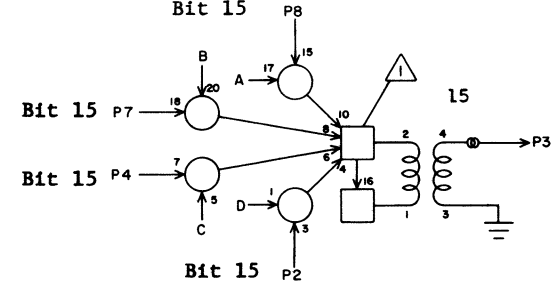


Exit Control: Trunk  
Bk to Increment



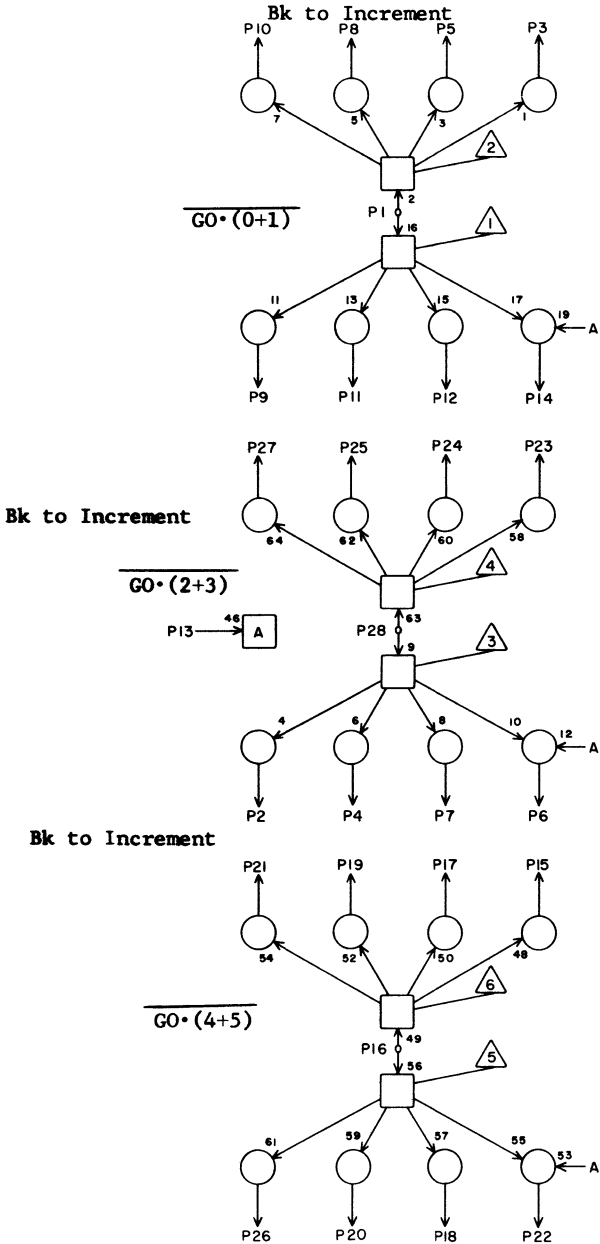
RG		7L31	
1			
2	R37	1	27
3	W23	93	
4	R27	1	27
5			
6			
7	R16	1	33
8	P28	1	17
9	L33	2	5
10	L33	9	5
11	K25	9	11
12	L33	26	5
13			
14			
15			
16	R29	1	25
17	R38	28	27
18			
19	R17	28	29
20	R28	28	27
21	W23	95	
22	P29	28	19
23			
24	P30	1	17
25	W23	94	
26	R39	1	25
27			
28	R18	1	29
	JACK	PIN	LG

Exit Control: Trunk  
Bk to Increment



RG		7L32	
1			
2	R40	28	29
3	W23	96	
4	R30	28	27
5			
6			
7	R19	28	29
8	P31	28	21
9	L33	4	3
10	L33	11	3
11	K25	11	11
12	L33	20	3
13			
14			
15			
16	R32	28	25
17	R41	1	27
18			
19	R20	1	29
20	R31	1	27
21	W23	98	
22	P32	1	17
23			
24	P33	28	17
25	W23	97	
26	R42	28	27
27			
28	R21	28	27
	JACK	PIN	LG

Exit Control



HF

7L33

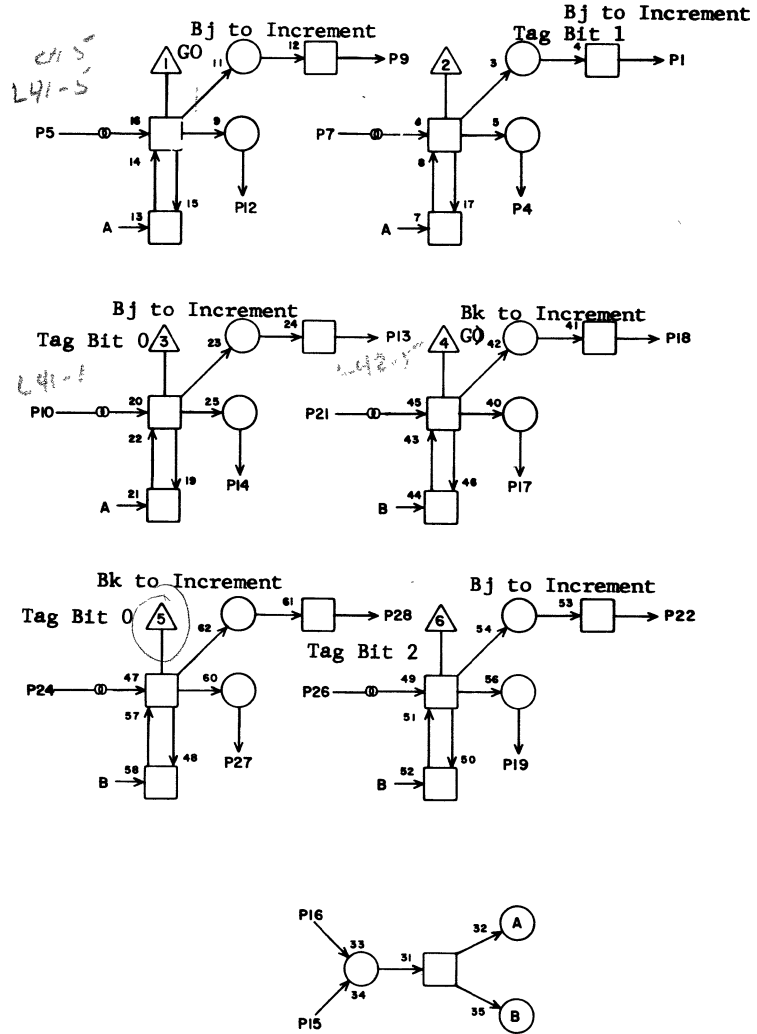
1	K24	13	11
2	L31	9	5
3	L30	10	5
4	L32	9	5
5	L29	10	7
6			
7			
8	L28	10	9
9	L31	10	5
10	L27	10	9
11	L32	10	3
12			
13			
14			
15	L30	12	5
16	K24	11	11
17	L29	12	7
18			
19	L28	12	9
20	L32	12	3
21	L27	12	9
22			
23	L30	9	5
24	L29	9	7
25	L28	9	9
26	L31	12	5
27	L27	9	9
28	K24	9	13

JACK PIN LG

63017300 Rev. K

Exit Control

B to Increment



PI

7L34

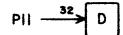
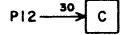
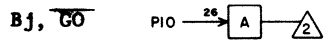
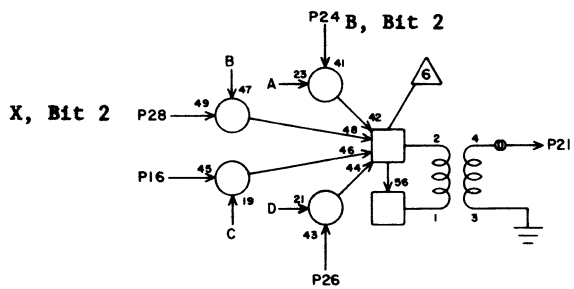
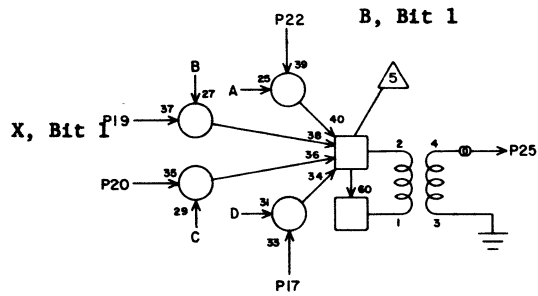
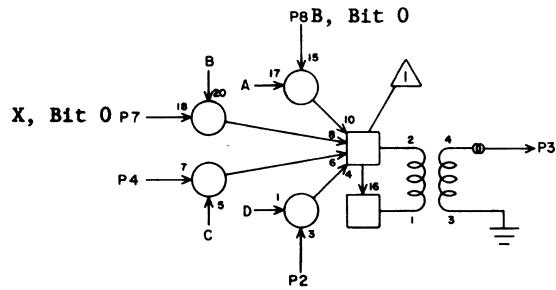
1			
2			
3			
4	K22	6	15
5	W19	900	
6			
7	W19	902	
8			
9	I25	3	17
10	W19	901	
11			
12			
13	E30	13	41
14	P23	3	21
15	GND		2
16	I15	21	23
17			
18	H25	26	19
19	K22	8	15
20			
21	W19	904	
22			
23			
24	W19	905	
25			
26	W19	903	
27	P23	26	21
28	K24	5	156

JACK PIN LG

63017300 Rev. K

7L34

EX1 Exit Control: Trunk  
Bj & Xj to Add.

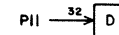
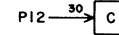
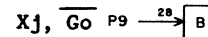
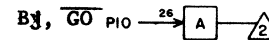
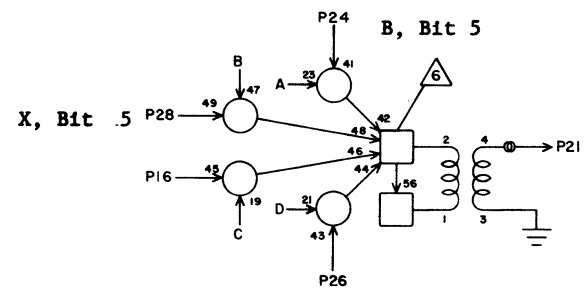
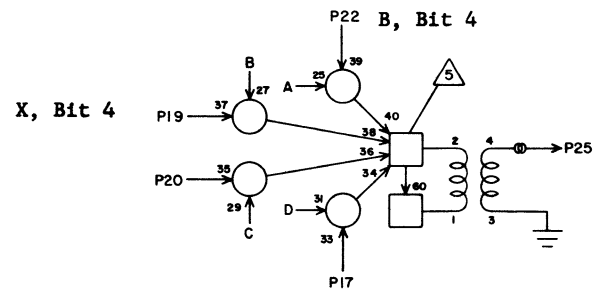
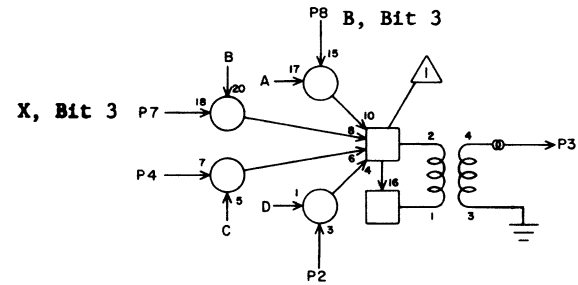


RG 7L35

JACK	PIN	LG
1		
2		
3	W28	90
4		
5		
6		
7	L 1	12 33
8	Q24	14 25
9	N34	25 13
10	N34	15 13
11	GRD	2
12	GRD	2
13		
14		
15		
16		
17		
18		
19	L 2	12 33
20		
21	W28	92
22	Q25	14 25
23		
24	Q26	14 25
25	W28	91
26		
27		
28	L 3	12 33

63017300 Rev. D

Exit Control: Trunk  
Bj & Xj to Add



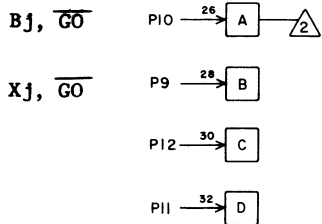
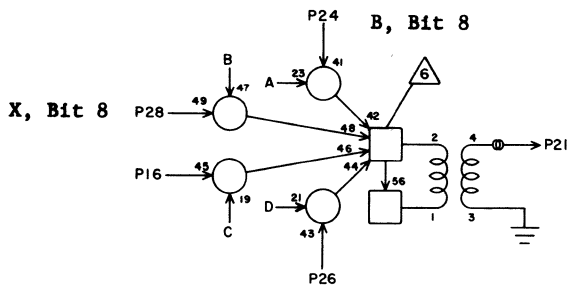
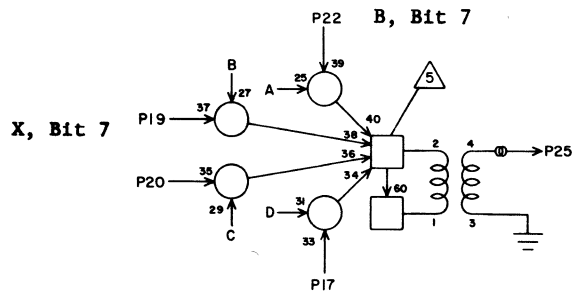
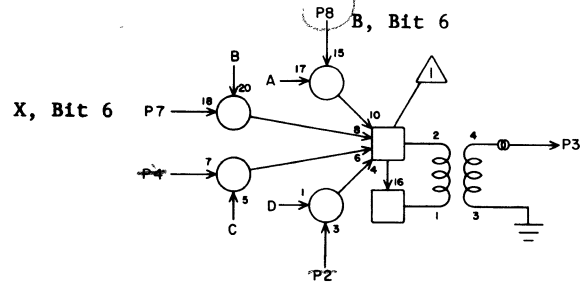
RG 7L36

JACK	PIN	LG
1		
2		
3	W28	93
4		
5		
6		
7	L 4	12 33
8	Q27	14 25
9	N34	23 13
10	N34	7 13
11	GND	2
12	GND	2
13		
14		
15		
16		
17		
18		
19	L 5	12 33
20		
21	W28	95
22	Q28	14 23
23		
24	Q29	14 23
25	W28	94
26		
27		
28	L 6	12 29

63017300 Rev. D

Exit Control: Trunk  
Bj and Xj to Add

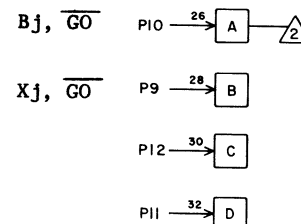
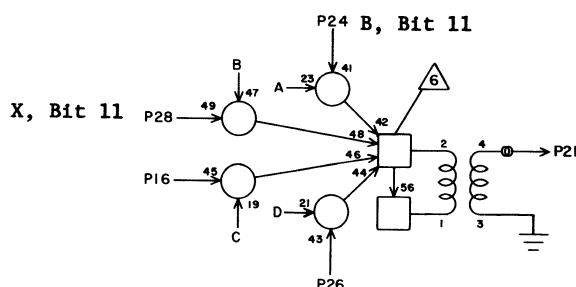
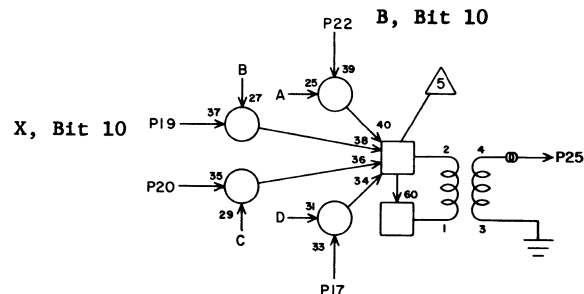
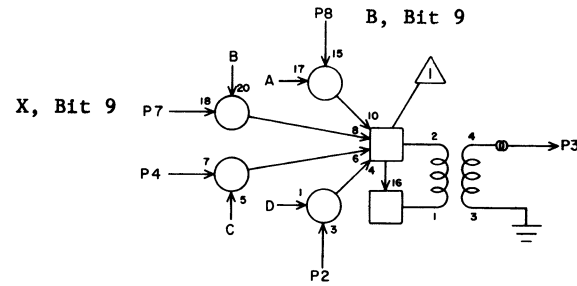
RG 7L37



	JACK	PIN	LG
1			
2			
3	W28	96	
4			
5			
6			
7	L 7	12	29
8	Q30	14	23
9	N34	26	13
10	N34	6	13
11	GND		2
12	GND		2
13			
14			
15			
16			
17			
18			
19	L 8	12	29
20			
21	W28	98	
22	Q31	14	23
23			
24	Q32	14	21
25	W28	97	
26			
27			
28	L 9	12	27

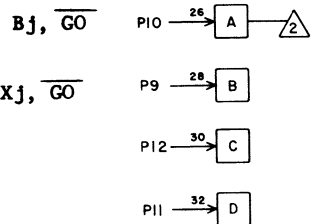
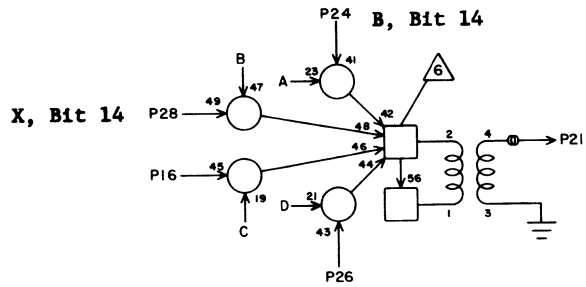
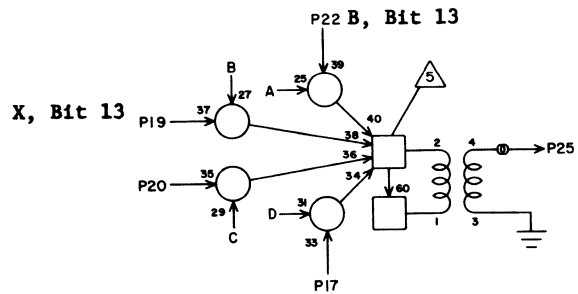
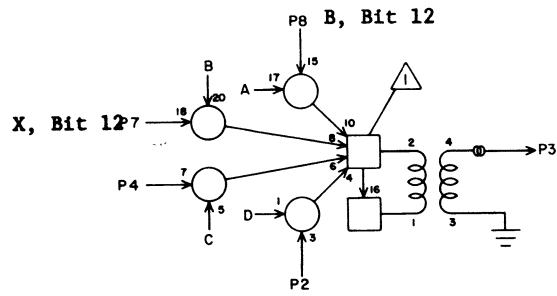
Exit Control: Trunk  
Bj and Xj to Add

RG 7L38



	JACK	PIN	LG
1			
2			
3	W28	99	
4			
5			
6			
7	L10	12	27
8	R24	14	33
9	N34	24	13
10	N34	4	13
11	GND		2
12	GND		2
13			
14			
15			
16			
17			
18			
19	L11	12	27
20			
21	W28	901	
22	R25	14	27
23			
24	R26	14	27
25	W28	900	
26			
27			
28	L12	12	25

Exit Control: Trunk  
Bj and Xj to Add

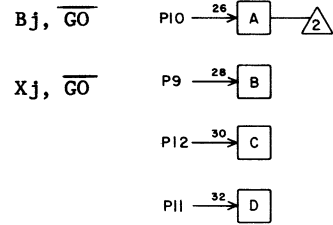
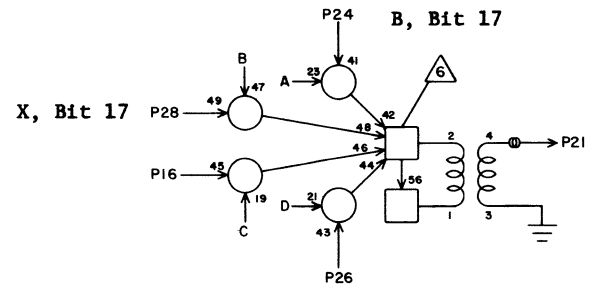
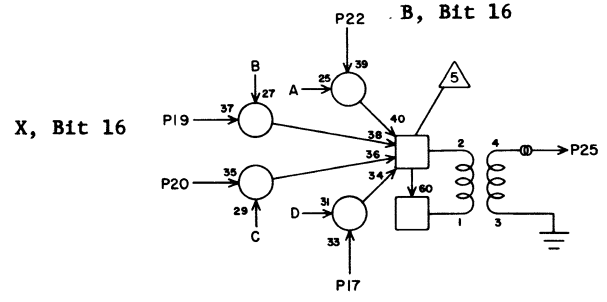
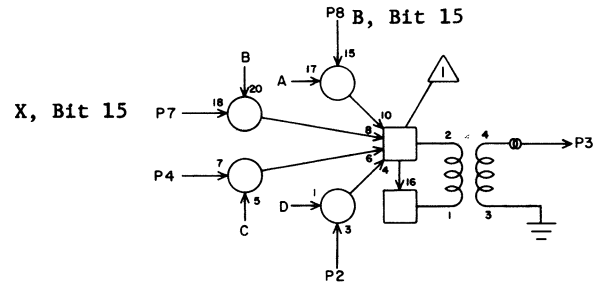


RG 7L39

1			
2			
3	W28	902	
4			
5			
6			
7	M 1	12	37
8	R27	14	29
9	N34	22	15
10	N34	9	15
11	GND		2
12	GND		2
13			
14			
15			
16			
17			
18			
19	M 2	12	35
20			
21	W28	904	
22	R28	14	29
23			
24	R29	14	27
25	W28	903	
26			
27			
28	M 3	12	35

JACK PIN LG

Exit Control: Trunk  
Bj and Xj to Add

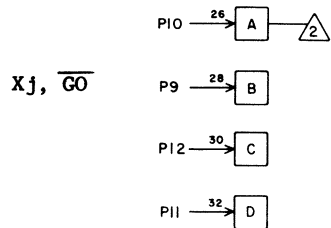
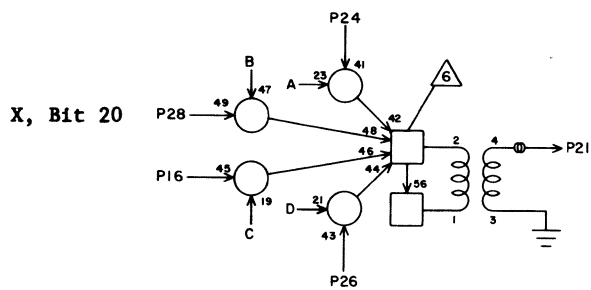
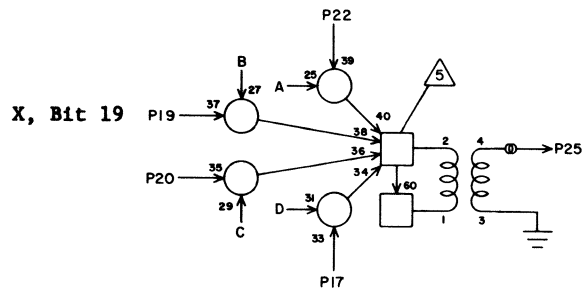
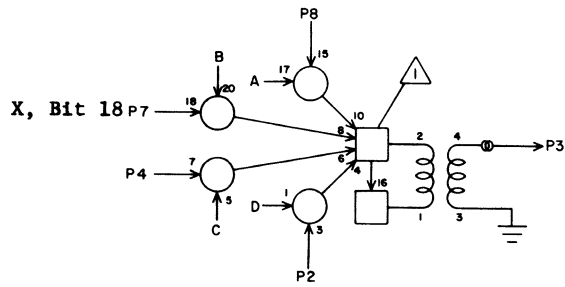


RG 7L40

1			
2			
3	W28	905	
4			
5			
6			
7	M 4	12	35
8	R30	14	27
9	N34	20	15
10	N34	11	15
11	GND		2
12	GND		2
13			
14			
15			
16			
17			
18			
19	M 5	12	35
20			
21	W28	907	
22	R31	14	27
23			
24	R32	14	27
25	W28	906	
26			
27			
28	M 6	12	35

JACK PIN LG

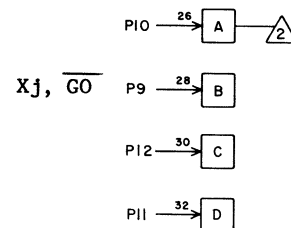
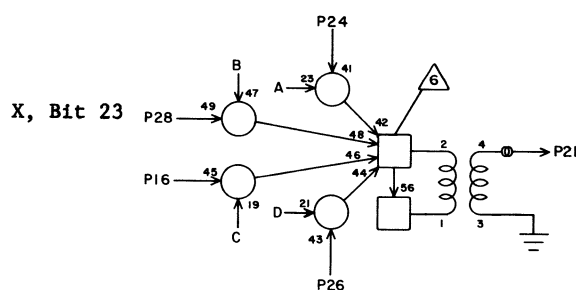
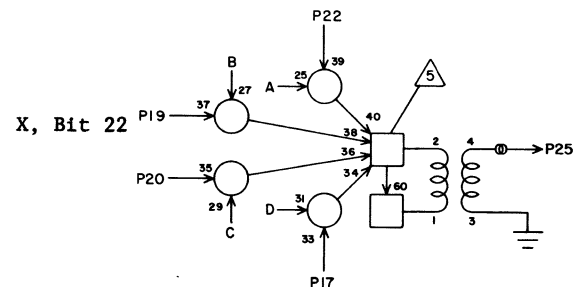
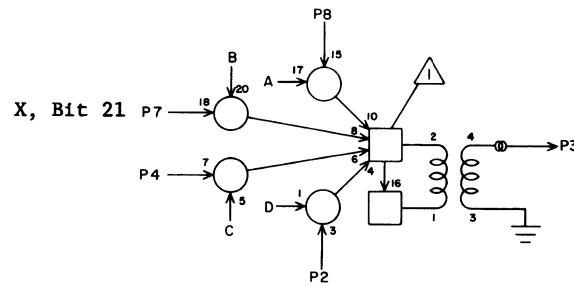
Exit Control: Trunk  
Xj to Add



RG **7L41**

1			
2			
3	W29	90	
4			
5			
6			
7	M 7	12	35
8			
9	N34	18	15
10	GND		2
11	GND		2
12	GND		2
13			
14			
15			
16			
17			
18			
19	M 8	12	33
20			
21	W29	92	
22			
23			
24			
25	W29	91	
26			
27			
28	M 9	12	33
	JACK	PIN	LG

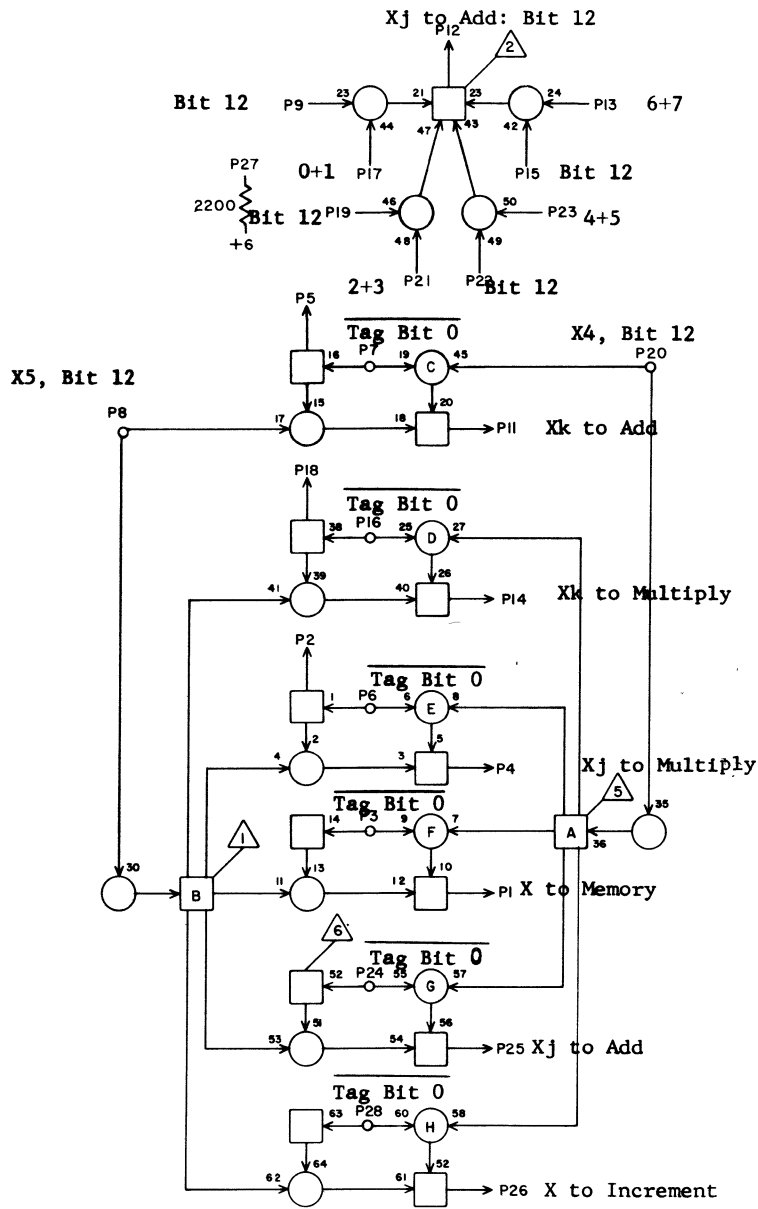
Exit Control: Trunk  
Xj to Add



RG **7L42**

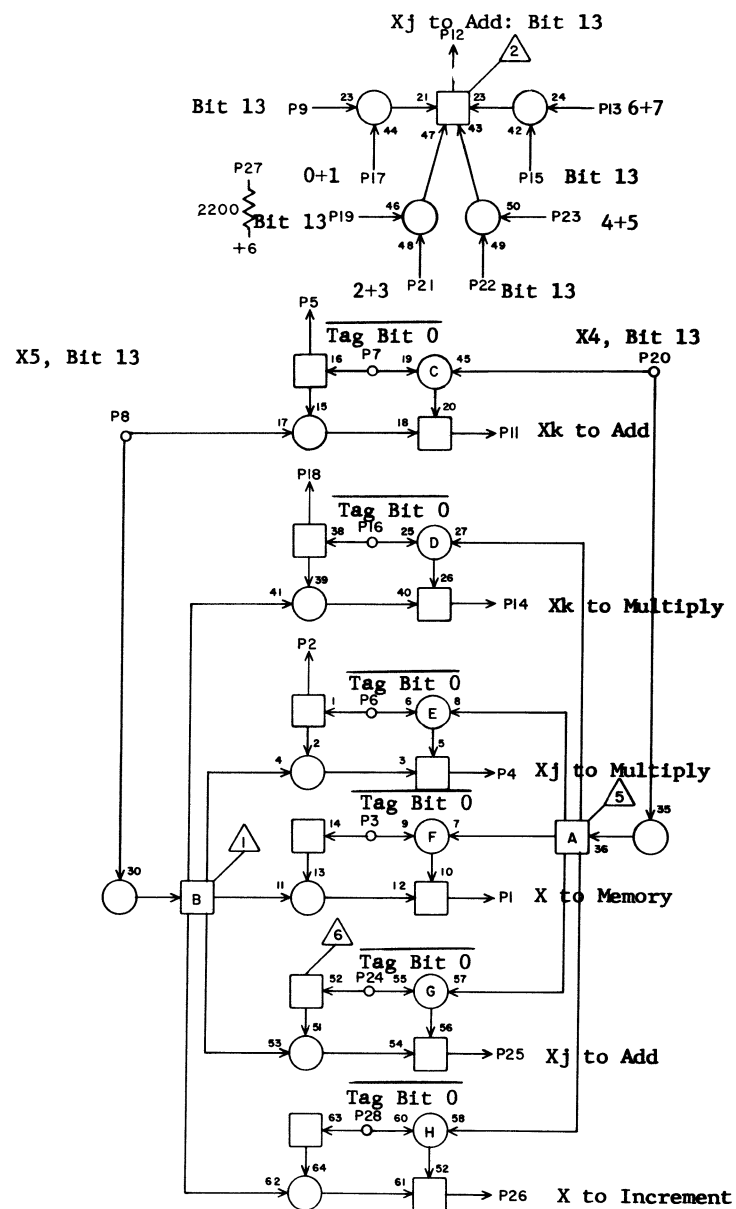
1			
2			
3	W29	93	
4			
5			
6			
7	M10	12	33
8			
9	N34	28	15
10	GND		2
11	GND		2
12	GND		2
13			
14			
15			
16			
17			
18			
19	M11	12	33
20			
21	W29	95	
22			
23			
24			
25	W29	94	
26			
27			
28	M12	12	29
	JACK	PIN	LG

Exit Control: X Registers



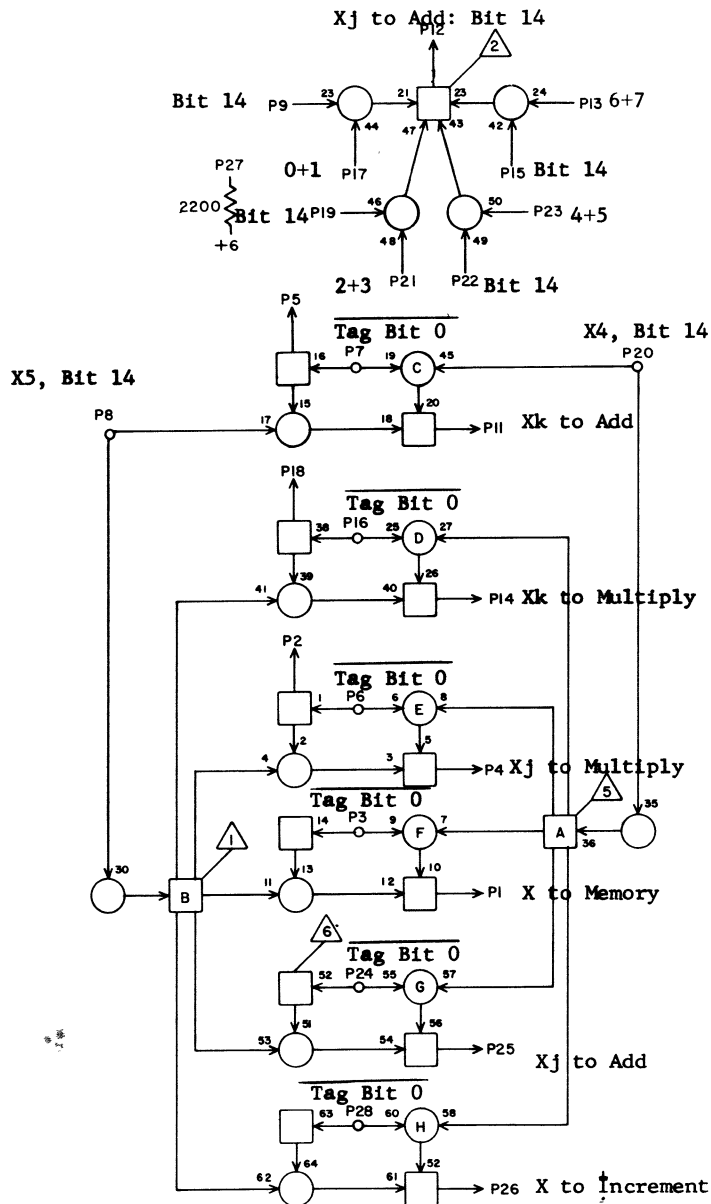
RF		7M 1	
JACK	PIN	LG	
1	C 4	22	39
2	L 1	28	3
3	L 1	5	7
4	I33	4	35
5	L 1	3	7
6	K11	15	15
7	K 5	15	11
8	M19	11	19
9	C 4	25	39
10			
11	N35	7	33
12	L39	7	37
13	M15	25	15
14	G33	4	39
15	O13	14	15
16	K 5	25	11
17	L15	15	17
18	L 1	24	5
19	H 4	25	23
20	L 19	11	21
21	L15	25	17
22	M 1	25	3
23	M15	15	17
24	L 1	18	9
25	M 1	22	3
26	H 4	22	23
27			
28	L 1	2	9

Exit Control: X Registers



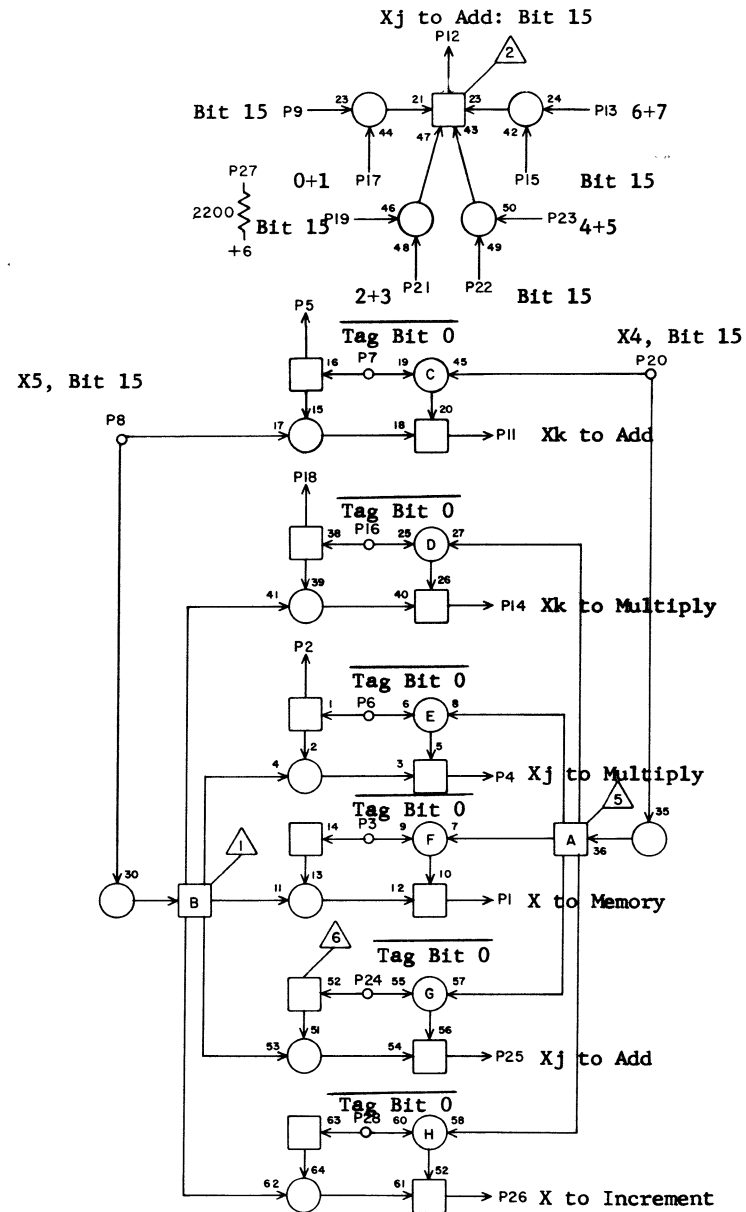
RF		7M 2	
JACK	PIN	LG	
1	C 5	22	39
2	L 2	28	3
3	L 2	5	7
4	I33	20	33
5	L 2	3	7
6	K11	7	15
7	K 5	7	11
8	M19	16	19
9	C 5	25	39
10			
11	N35	19	38
12	L39	19	35
13	M15	23	17
14	G33	20	37
15	P 1	25	15
16	K 5	23	11
17	L15	7	17
18	L 2	24	7
19	H 5	25	23
20	L19	16	19
21	L15	23	17
22	M 2	25	3
23	M15	7	17
24	L 2	18	9
25	M 2	22	3
26	H 5	22	23
27			
28	L 2	2	9

Exit Control: X Registers



RF		7M 3	
1	C 6	22	39
2	L 3	28	3
3	L 3	5	7
4	I33	16	33
5	L 3	3	7
6	K11	6	13
7	K 5	6	11
8	M19	26	17
9	C 6	25	39
10			
11	N35	28	33
12	L39	28	35
13	M15	26	13
14	G33	16	37
15	P 2	25	15
16	K 5	26	11
17	L15	6	17
18	L 3	24	7
19	H 6	25	23
20	L19	26	19
21	L15	26	17
22	M 3	25	3
23	M15	6	13
24	L 3	18	9
25	M 3	22	3
26	H 6	22	23
27			
28	L 3	2	9
	JACK	PIN	LG

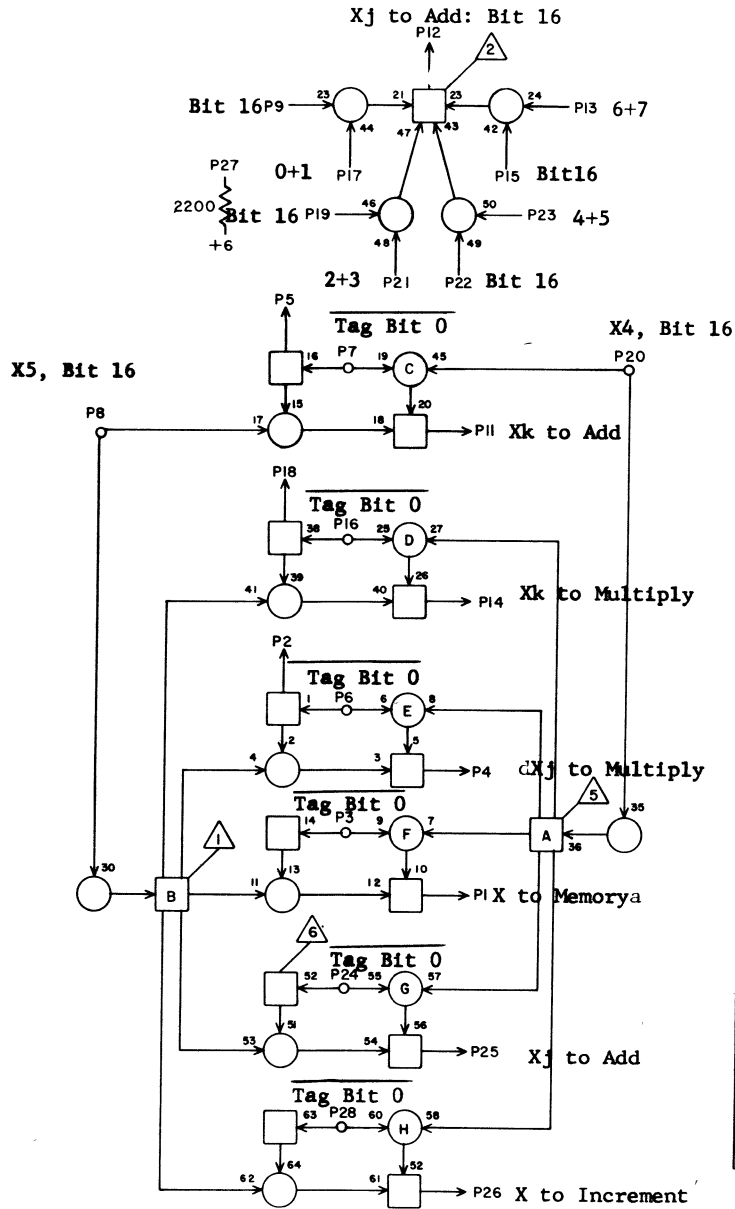
Exit Control: X Registers



RF		7M 4	
1	C 7	22	39
2	L 4	28	3
3	L 4	5	7
4	I34	4	33
5	L 4	3	7
6	K11	4	13
7	K 5	4	11
8	M19	27	17
9	C 7	25	39
10			
11	N36	7	33
12	L40	7	35
13	M15	24	13
14	G34	4	37
15	P 3	25	15
16	K 5	24	11
17	L15	4	15
18	L 4	24	5
19	H 7	25	23
20	L19	27	19
21	L15	24	13
22	M 4	25	3
23	M15	4	13
24	L 4	18	9
25	M 4	22	3
26	H 7	22	23
27			
28	L 4	2	9
	JACK	PIN	LG

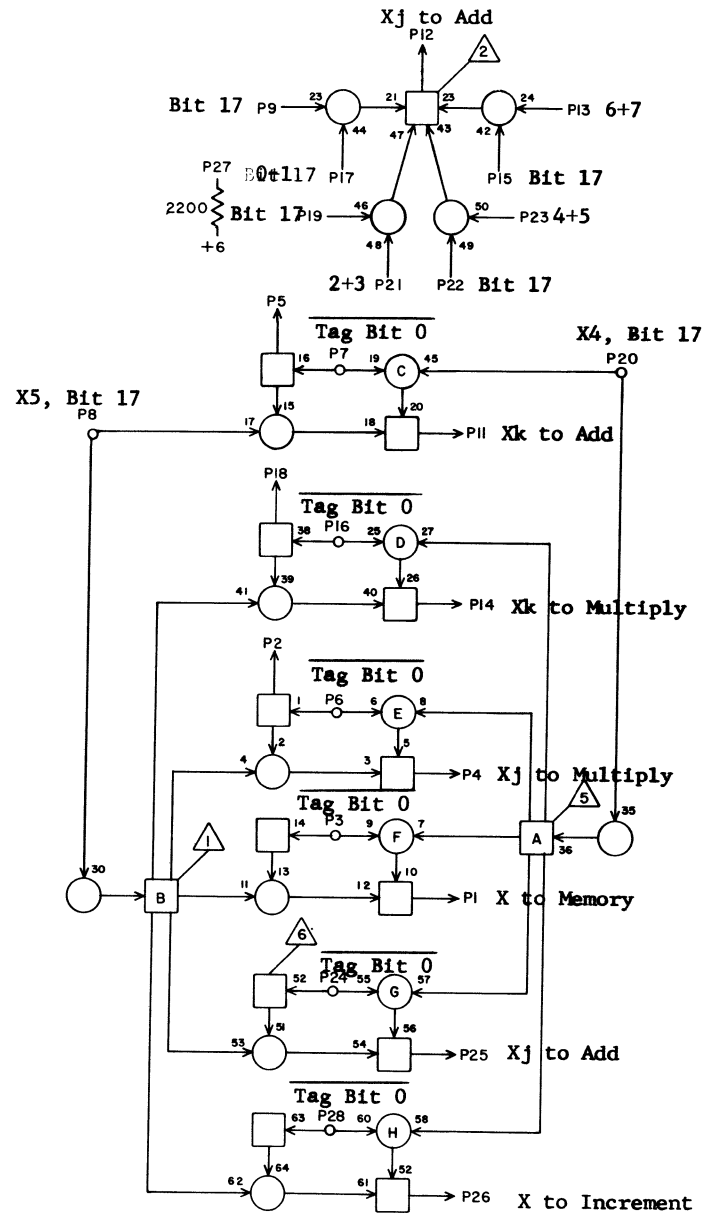


Exit Control: X Registers



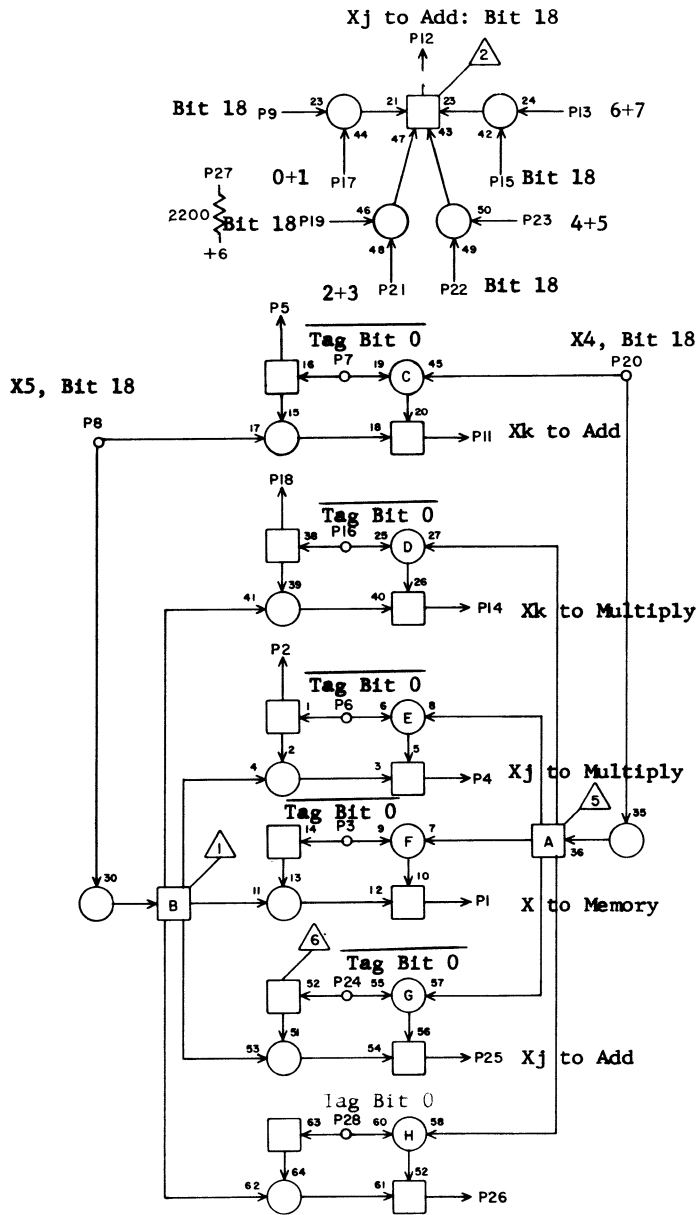
RF		7M 5	
JACK	PIN	LG	
1	C 8	22	39
2	L 5	28	3
3	L 5	5	7
4	I34	20	37
5	L 5	3	7
6	K11	9	13
7	K 5	9	11
8	M20	11	17
9	C 8	25	39
10			
11	N36	19	29
12	L40	19	35
13	M15	22	13
14	G34	20	37
15	P 4	25	15
16	K 5	22	11
17	L15	9	13
18	L 5	24	5
19	H 8	25	23
20	L20	11	19
21	L15	22	13
22	M 5	25	3
23	M15	9	13
24	L 5	18	9
25	M 5	22	3
26	H 8	22	23
27			
28	L 5	2	9

Exit Control: X Registers



RF		7M 6	
JACK	PIN	LG	
1	C 9	22	39
2	L 6	28	3
3	L 6	5	7
4	I34	16	33
5	L 6	3	7
6	K11	11	13
7	K 5	11	11
8	M20	16	17
9	C 9	25	39
10			
11	N36	28	29
12	L40	28	35
13	M15	20	11
14	G34	16	37
15	P 5	25	15
16	K 5	20	11
17	L15	11	13
18	L 6	24	5
19	H 9	25	23
20	L20	16	17
21	L15	20	11
22	M 6	25	3
23	M15	11	11
24	L 6	18	9
25	M 6	22	3
26	H 9	22	23
27			
28	L 6	2	9

Exit Control: X Registers

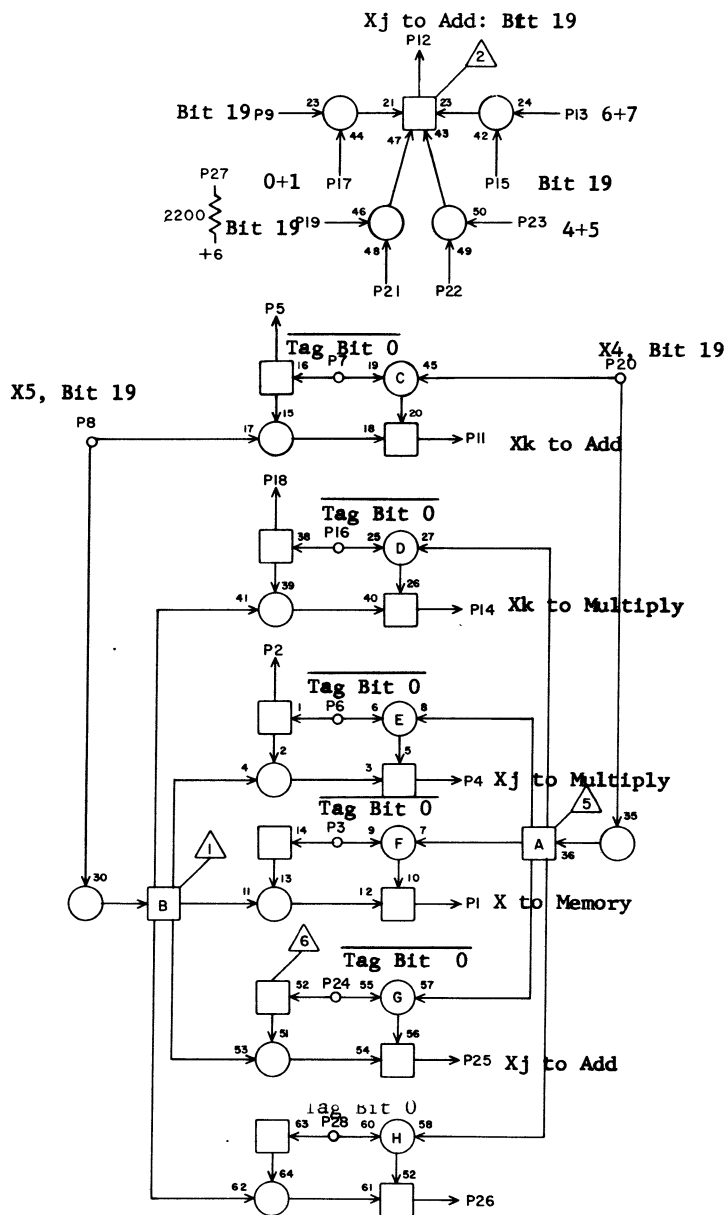


RF		7M 7	
1	D 1	22	35
2	L 7	28	3
3	L 7	5	7
4	J29	4	25
5	L 7	3	7
6	K11	13	11
7	K 5	13	11
8	M20	26	17
9	D 1	14	35
10			
11	N37	7	29
12	L41	7	35
13	M15	18	11
14	H29	4	31
15	P 6	25	15
16	K 5	18	11
17	L15	13	11
18	L 7	24	5
19	I 1	14	21
20	L20	26	17
21	L15	18	11
22	M 7	25	3
23	M15	13	11
24	L 7	18	9
25	M 7	22	3
26			
27			
28	L 7	2	9

JACK PIN LG

63017300 Rev. D

Exit Control: X Registers

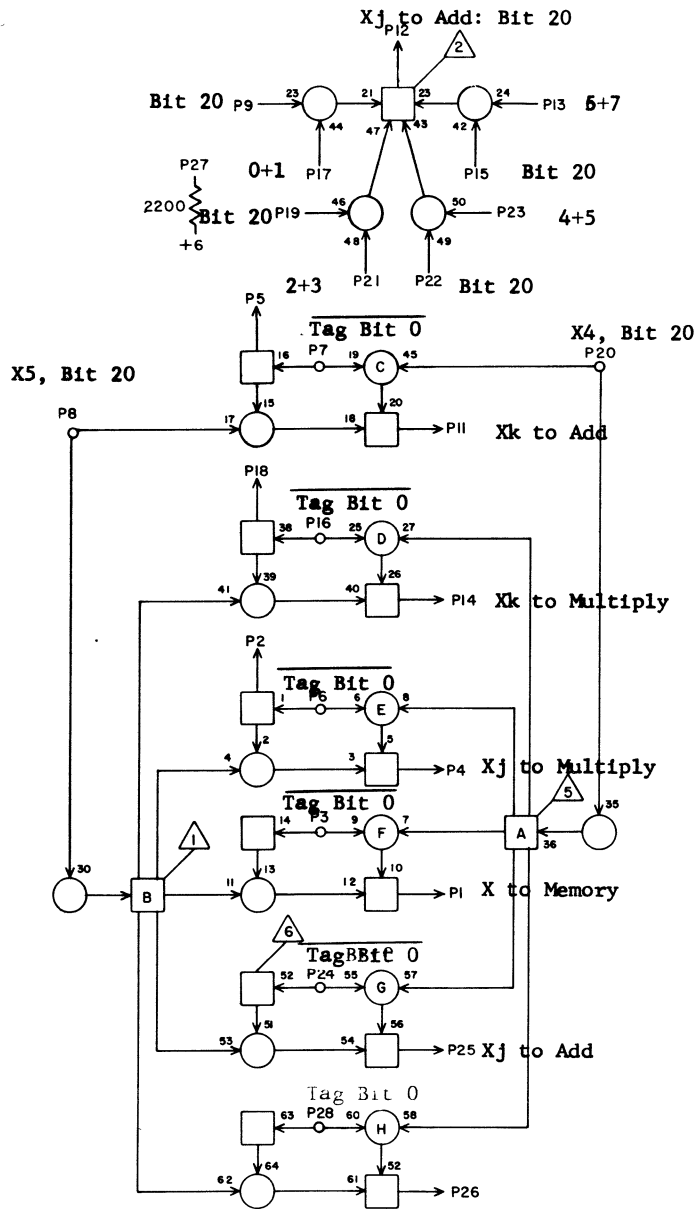


RF		7M 8	
1	D 2	22	35
2	L 8	28	3
3	L 8	5	7
4	J29	20	23
5	L 8	3	7
6	K11	1	13
7	K 5	1	13
8	M 20	27	17
9	D 2	14	35
10			
11	N37	19	29
12	L41	19	33
13	M15	28	9
14	H29	20	27
15	P 7	25	15
16	K 5	28	11
17	L15	1	11
18	L 8	24	5
19	I 2	14	21
20	L20	27	17
21	L15	28	11
22	M 8	25	3
23	M15	1	11
24	L 8	18	9
25	M 8	22	3
26			
27			
28	L 8	2	9

JACK PIN LG

63017300 Rev. D

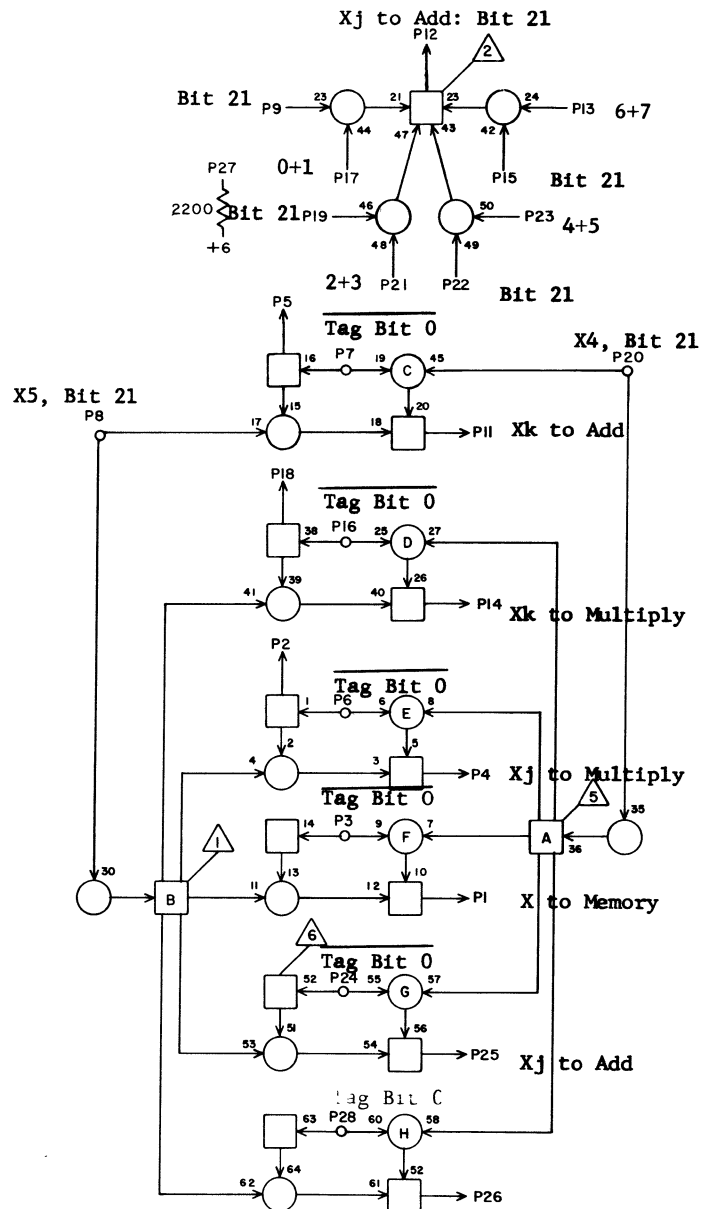
Exit Control: X Registers



RF			
7M9			
1	D 3	22	35
2	L 9	28	3
3	L 9	5	7
4	J29	16	23
5	L 9	3	7
6	K11	8	11
7	K 5	8	13
8	M22	11	17
9	D 3	14	35
10			
11	N37	28	29
12	L41	28	33
13	M15	21	9
14	H29	16	27
15	P 8	25	15
16	K 5	21	11
17	L15	8	11
18	L 9	24	5
19	I 3	14	21
20	L22	11	17
21	L15	21	11
22	M 9	25	3
23	M15	8	9
24	L 9	18	9
25	M 9	22	3
26			
27			
28	L 9	2	9

JACK PIN LG

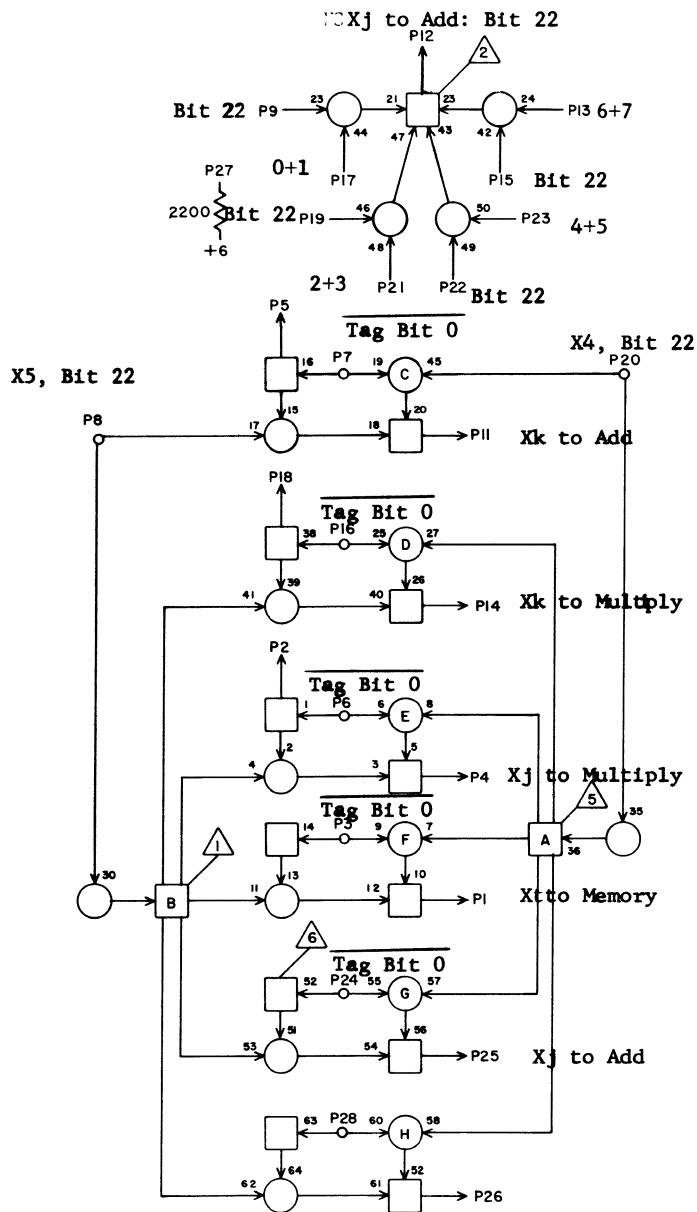
Exit Control: X Registers



RF			
7M10			
1	D 4	22	35
2	L10	28	3
3	L10	5	7
4	J30	4	23
5	L10	3	7
6	K11	10	11
7	K 5	10	13
8	M22	16	13
9	D 4	14	35
10			
11	N38	7	29
12	L42	7	33
13	M15	19	9
14	H30	4	29
15	P 9	25	15
16	K 5	19	13
17	L15	10	11
18	L10	24	5
19	I 4	14	21
20	L22	16	17
21	L15	19	9
22	M10	25	3
23	M15	10	9
24	L10	18	9
25	M10	22	3
26			
27			
28	L10	2	9

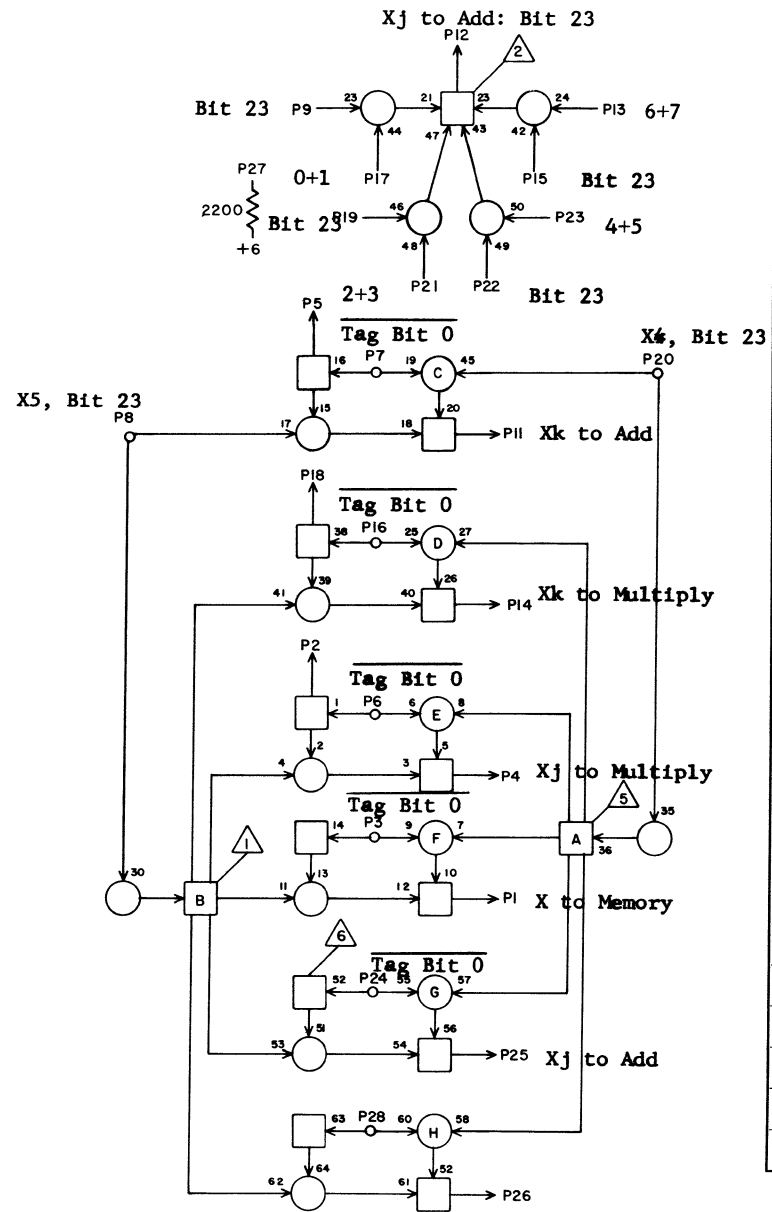
JACK PIN LG

Exit Control: X Registers



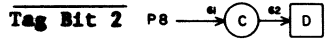
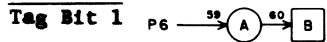
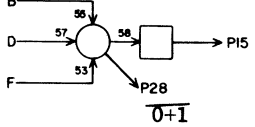
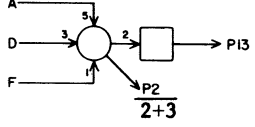
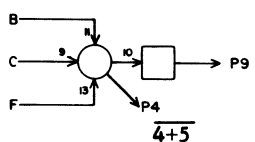
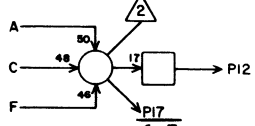
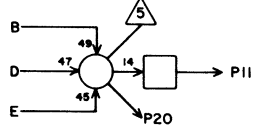
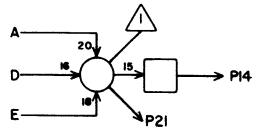
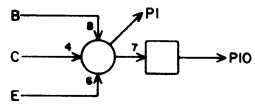
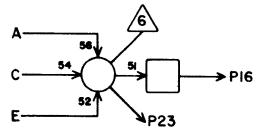
RF	7M11		
1	D 5	22	37
2	L11	28	3
3	L11	5	7
4	J30	20	23
5	L11	3	7
6	K11	12	11
7	K 5	12	13
8	M22	26	13
9	D 5	14	37
10			
11	N38	19	27
12	L42	19	33
13	M15	17	7
14	H30	20	29
15	P10	25	15
16	K 5	17	13
17	L15	12	9
18	L11	24	5
19	I 5	14	21
20	L22	26	13
21	L15	17	9
22	M11	25	3
23	M15	12	7
24	L11	18	9
25	M11	22	3
26			
27			
28	L11	2	9
	JACK	PIN	LG

Exit Control: X Registers



RF	7M12		
1	D 6	22	35
2	L12	28	3
3	L12	5	7
4	J30	16	21
5	L12	3	7
6	K11	2	11
7	K 5	2	13
8	M22	27	13
9	D 6	14	37
10			
11	N38	28	27
12	L42	28	29
13	M15	27	5
14	H30	16	29
15	P11	25	15
16	K 5	27	13
17	L15	2	9
18	L12	24	5
19	I 6	14	21
20	L22	27	13
21	L15	27	9
22	M12	25	3
23	M15	2	5
24	L12	18	9
25	M12	22	3
26			
27			
28	L12	2	9
	JACK	PIN	LG

Exit Control  
Xj to Add



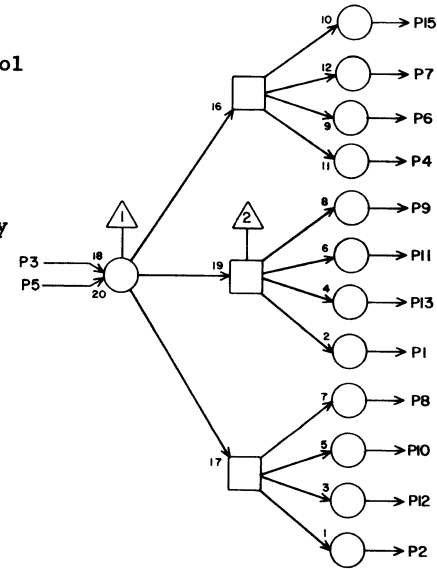
IV 7M13

1			
2	K 9	28	11
3			
4	K10	1	11
5			
6	J28	17	21
7			
8	J28	27	21
9			
10			
11			
12			
13			
14			
15			
16			
17	K10	6	13
18			
19			
20			
21			
22			
23			
24			
25			
26	GND		2
27			
28	K 9	25	11

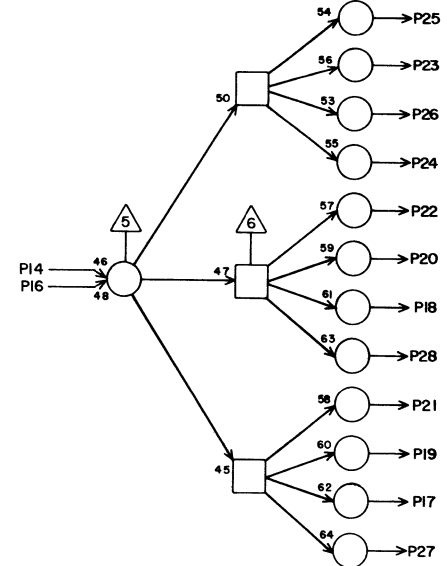
JACK PIN LG

Exit Control

X to Memory  
Tag Bit 0



Xj to Add  
Tag Bit 0



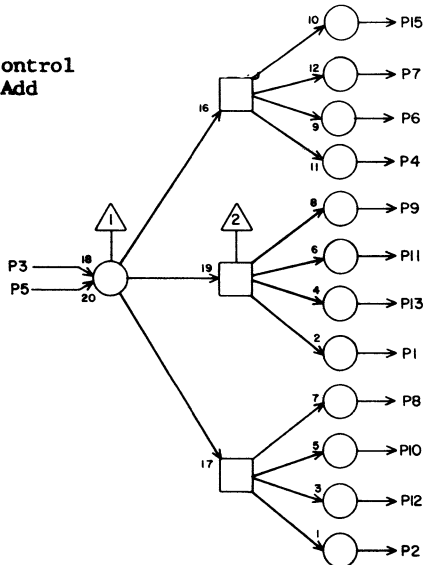
TC 7M14

1	Q 1	7	25
2	Q 5	7	21
3	K 6	11	13
4	O10	7	11
5	gnd		2
6	O 9	7	13
7	O 8	7	13
8	Q 2	7	21
9	O11	7	11
10	Q 3	7	21
11	O12	7	11
12	Q 4	7	21
13	O13	7	11
14	K 6	20	15
15	O 7	7	13
16	gnd		2
17	Q 4	16	21
18	O13	16	11
19	Q 3	16	21
20	O12	16	11
21	Q 2	16	21
22	O11	16	11
23	O 8	16	13
24	O10	16	11
25	O 7	16	13
26	O 9	16	11
27	Q 5	16	19
28	Q 1	16	21

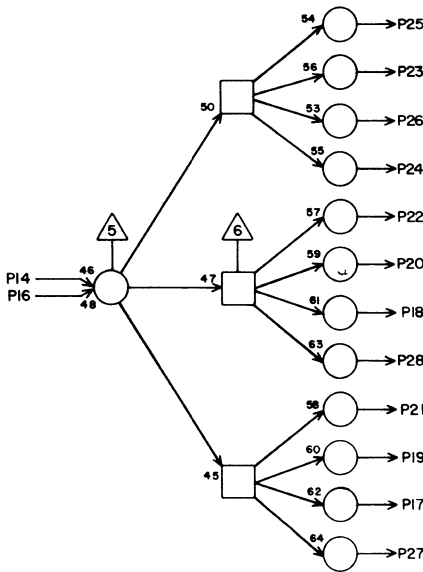
JACK PIN LG

Exit Control  
Xj to Add

4+5



6+7

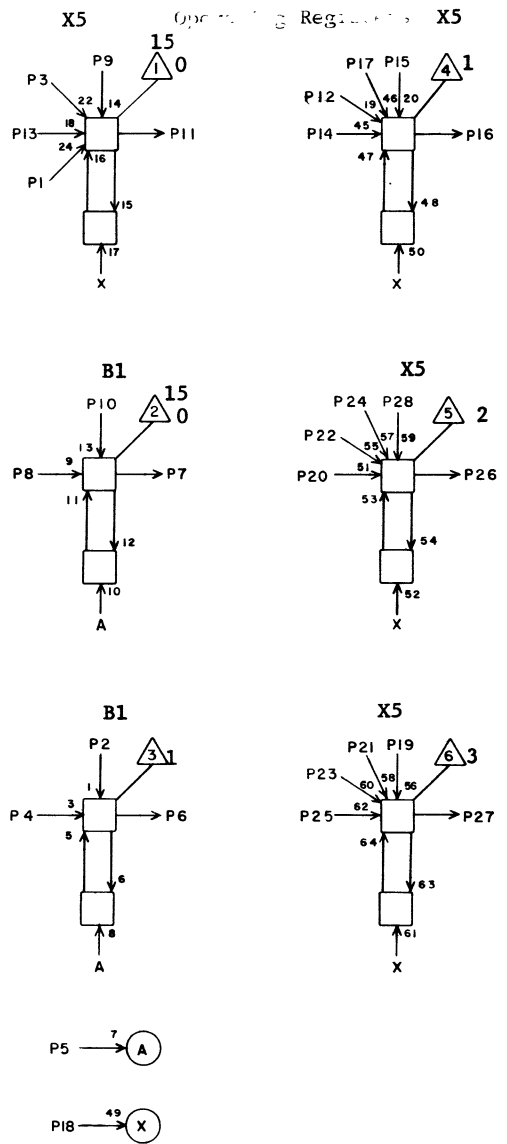


TC 7 M15

	JACK	PIN	LG
1	M 8	23	11
2	M12	23	5
3	K10	8	13
4	M 4	23	13
5	gnd		2
6	M 3	23	13
7	M 2	23	17
8	M 9	23	9
9	M 5	23	13
10	M10	23	9
11	M 6	23	11
12	M11	23	7
13	M 7	23	11
14	K10	9	13
15	M 1	23	17
16	gnd		2
17	M11	13	7
18	M 7	13	11
19	M10	13	9
20	M 6	13	11
21	M 9	13	9
22	M 5	13	13
23	M 2	13	17
24	M 4	13	13
25	M 1	13	15
26	M 3	13	13
27	M12	13	5
28	M 8	13	9

63017300 Rev. D

Operating Registers

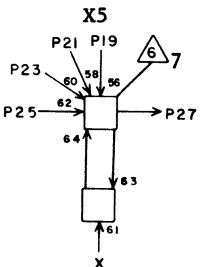
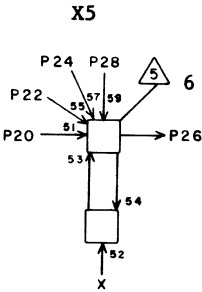
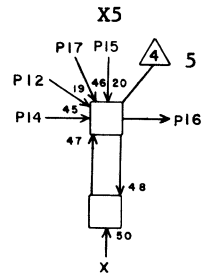
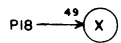
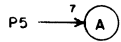
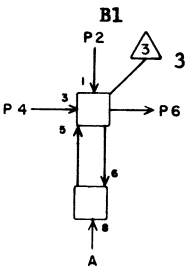
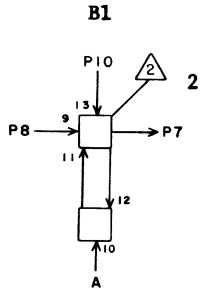
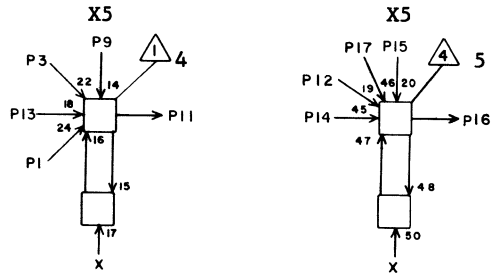


RD 7 M16

	JACK	PIN	LG
1	C20	6	39
2	O38	21	25
3	H38	10	29
4	M29	21	15
5	L21	16	9
6	O28	25	17
7	O27	25	17
8	M29	9	15
9	H13	10	23
10	O38	11	25
11	L 1	20	17
12	D35	20	41
13	D35	10	39
14	C20	5	41
15	H13	20	23
16	L 2	20	17
17	H38	20	22
18	N21	16	9
19	H13	21	23
20	C20	2	41
21	H38	21	29
22	D35	11	41
23	D35	21	41
24	H38	11	29
25	C20	7	41
26	L 3	20	17
27	L 4	20	15
28	H13	9	23

63017300 Rev. D

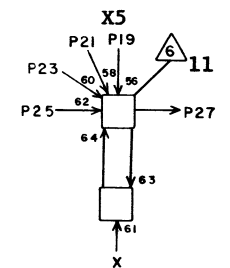
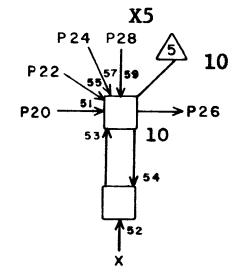
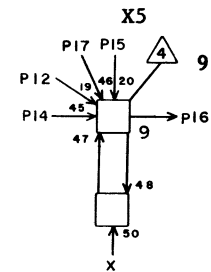
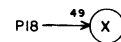
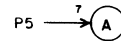
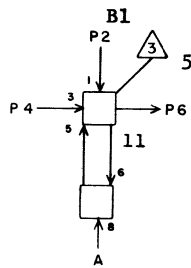
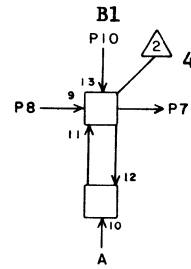
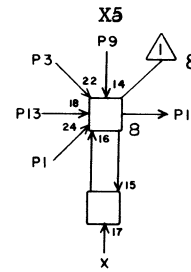
Operating Registers



RD 7 M17

1	C20	9	39
2	O38	20	25
3	H40	10	29
4	M29	20	15
5	L21	18	7
6	O30	25	9
7	O29	25	17
8	M29	10	15
9	H15	10	23
10	O38	10	25
11	L 5	20	15
12	D37	20	41
13	D37	10	41
14	C20	12	39
15	H15	20	23
16	L 6	20	13
17	H40	20	31
18	N21	18	9
19	H15	21	23
20	C21	6	41
21	H40	21	31
22	D37	11	41
23	D37	21	41
24	H40	11	31
25	C21	5	41
26	L 7	20	13
27	L 8	20	13
28	H15	9	23
	JACK	PIN	LG

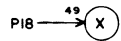
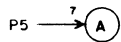
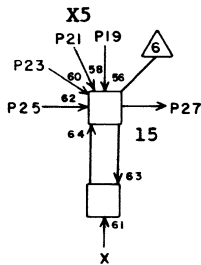
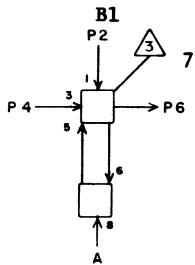
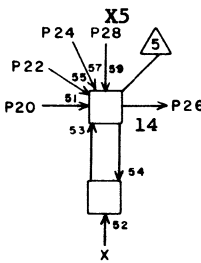
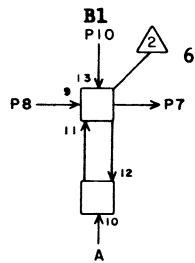
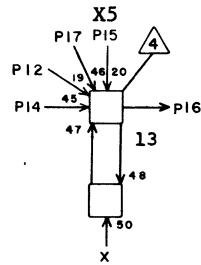
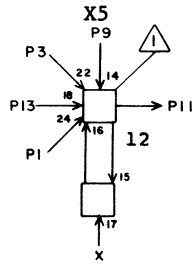
Operating Registers



RD 7 M18

1	C21	2	39
2	O40	21	25
3	H42	10	29
4	M31	21	15
5	L21	20	7
6	O32	25	19
7	O31	25	19
8	M31	9	15
9	H18	10	23
10	O40	11	25
11	L9	20	13
12	D39	20	41
13	D39	10	41
14	C21	7	41
15	H18	20	23
16	L10	20	11
17	H42	20	29
18	N21	20	9
19	H18	21	23
20	C21	9	41
21	H42	21	31
22	D39	11	41
23	D39	21	41
24	H42	11	31
25	C21	12	41
26	L11	20	11
27	L12	20	11
28	H18	9	23
	JACK	PIN	LG

Operating Registers



RD

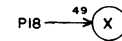
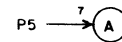
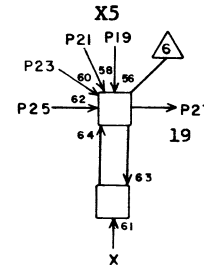
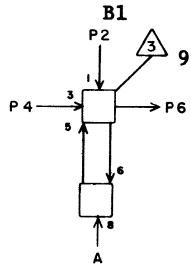
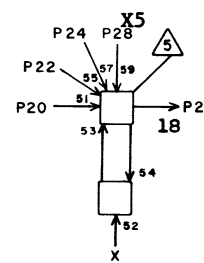
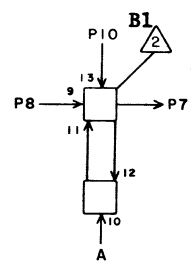
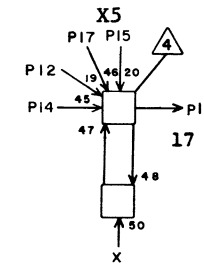
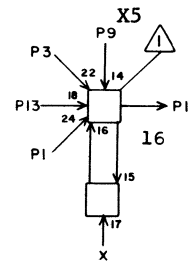
7M19

1	C22	6	41
2	O40	20	25
3	J38	10	23
4	M31	20	15
5	L21	22	5
6	O34	25	21
7	O33	25	19
8	M31	10	15
9	H22	10	23
10	O40	10	25
11	M1	8	19
12	D41	20	41
13	D41	10	41
14	C22	5	41
15	H22	20	23
16	M2	8	19
17	J38	20	23
18	N21	22	9
19	H22	21	23
20	C22	2	41
21	J38	21	23
22	D41	11	41
23	D41	21	41
24	J38	11	23
25	C22	7	41
26	M3	8	17
27	M4	8	17
28	H22	9	23

JACK PIN LG

63017300 Rev. D3

Operating Registers



RD

7M20

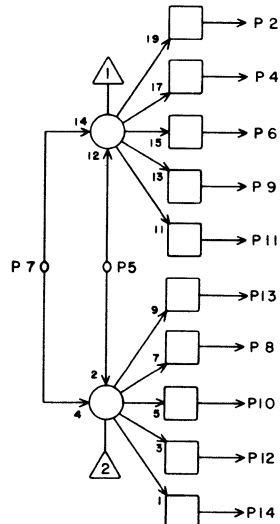
1	C22	9	41
2	O42	21	25
3	J40	10	23
4	M33	21	15
5	L21	17	5
6	P25	25	19
7	P24	25	17
8	M33	9	15
9	J11	10	17
10	O42	11	25
11	M5	8	17
12	E34	20	35
13	E34	10	35
14	C22	12	41
15	J11	20	17
16	M6	8	17
17	J40	20	23
18	N21	17	7
19	J11	21	17
20	C23	6	41
21	J40	21	23
22	E34	11	35
23	E34	21	35
24	J40	11	23
25	C23	5	41
26	M7	8	17
27	M8	8	17
28	J11	9	17

JACK PIN LG

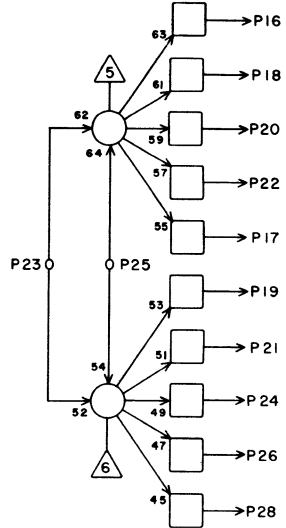
63017300 Rev. D3



Clear Register  
B2



Clear Register  
B3



HC

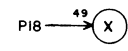
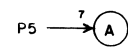
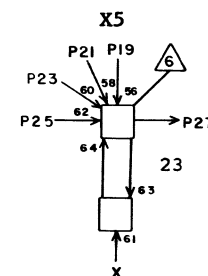
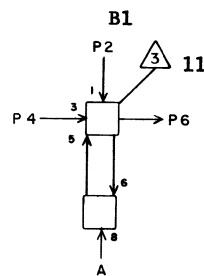
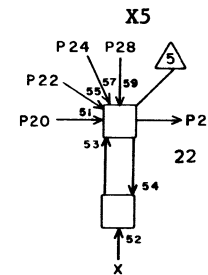
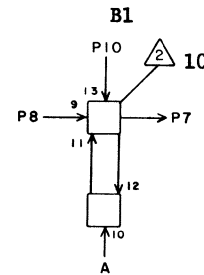
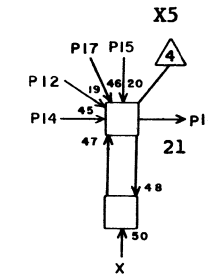
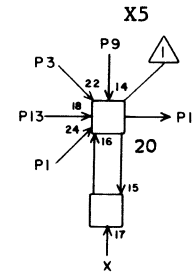
7M21

1			
2	N16	5	9
3			
4	N17	5	9
5	F22	24	29
6	N18	5	7
7	I17	20	19
8	N23	5	7
9	N19	5	7
10	N24	5	9
11	N20	5	5
12	N25	5	9
13	N22	5	7
14			
15			
16	O16	5	11
17	O20	5	9
18	O17	5	11
19	O22	5	9
20	O18	5	11
21	O23	5	11
22	O19	5	11
23	I17	22	19
24	O24	5	11
25	F23	24	31
26	O25	5	11
27			
28			

JACK    PIN    LG

63017300 Rev. D

Operating Registers



RD

7M22

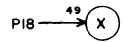
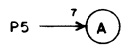
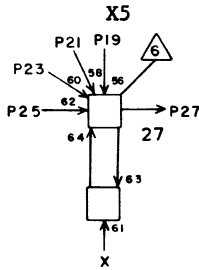
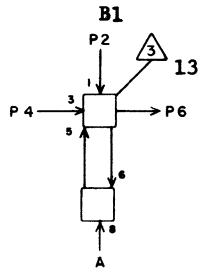
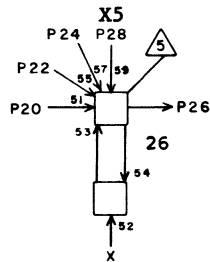
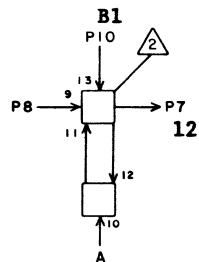
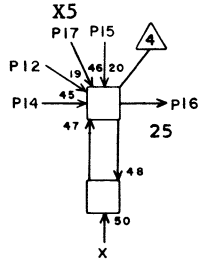
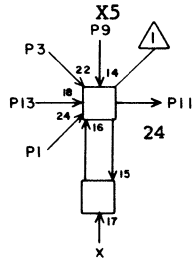
1	C23	2	41
2	O42	20	23
3	J42	10	23
4	M33	20	13
5	L21	19	5
6	P27	25	19
7	P26	25	17
8	M33	10	13
9	J13	10	17
10	O42	10	23
11	M9	8	17
12	E36	20	35
13	E36	10	35
14	C23	7	41
15	J13	20	17
16	M10	8	13
17	J42	20	25
18	N21	19	7
19	J13	21	17
20	C23	9	41
21	J42	21	25
22	E36	11	35
23	E36	21	35
24	J42	11	25
25	C23	12	41
26	M11	8	13
27	M12	8	13
28	J13	9	17

JACK    PIN    LG

7M22

63017300 Rev. D

Operating Registers



RD

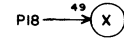
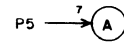
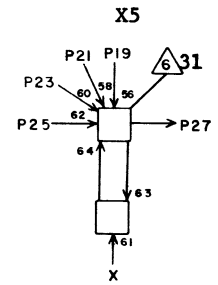
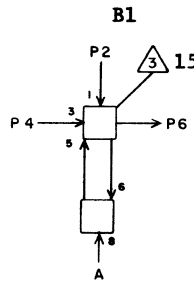
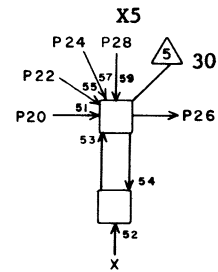
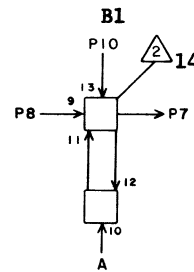
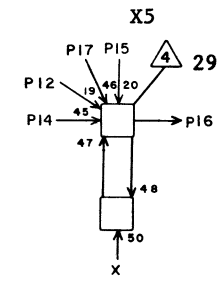
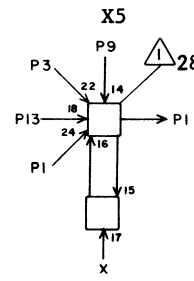
7M23

1	C24	6	41
2	P39	21	23
3	K37	11	17
4	N30	21	13
5	L21	21	5
6	P29	25	19
7	P28	25	19
8	N30	9	13
9	J15	10	17
10	P39	11	23
11	N1	20	23
12	E38	20	35
13	E38	10	35
14	C24	5	41
15	J15	20	17
16	N2	20	23
17	K37	21	17
18	N21	21	9
19	J15	21	17
20	C24	2	41
21	K37	20	17
22	E38	11	35
23	E38	21	35
24	K37	10	17
25	C24	7	41
26	N3	20	21
27	N4	20	21
28	J15	9	17

JACK PIN LG

63017300 Rev. D

Operating Registers



RD

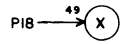
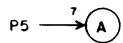
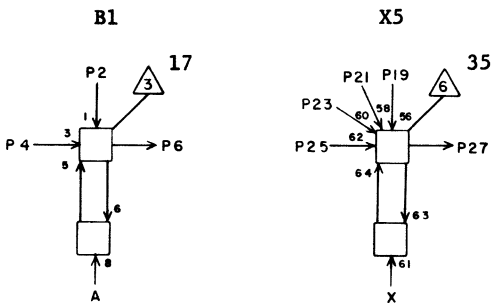
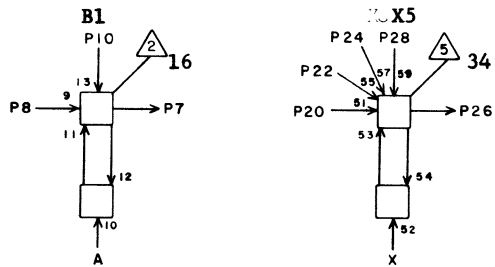
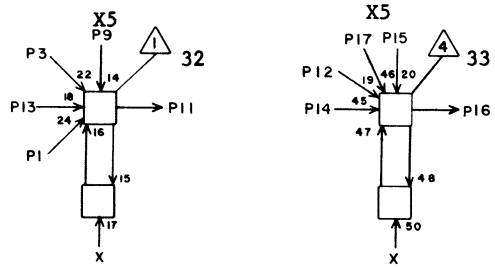
7M24

1	C24	9	41
2	P39	20	23
3	K39	11	17
4	N30	20	11
5	L21	24	7
6	P31	25	19
7	P30	25	19
8	N30	10	11
9	J17	10	17
10	P39	10	23
11	N5	20	21
12	E40	20	35
13	E40	10	35
14	C24	12	41
15	J17	20	17
16	N6	20	21
17	K39	21	17
18	N21	24	9
19	J17	21	17
20	C25	6	41
21	K39	20	17
22	E40	11	35
23	E40	21	35
24	K39	10	17
25	C25	5	41
26	N7	8	21
27	N8	8	19
28	J17	9	17

JACK PIN LG

63017300 Rev. D

Operating Registers



RD

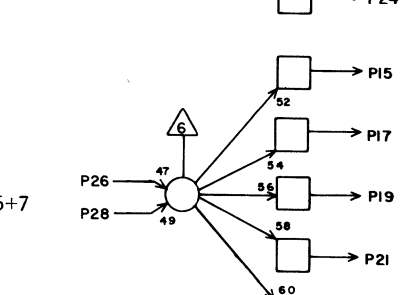
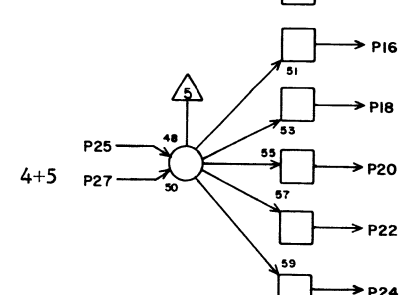
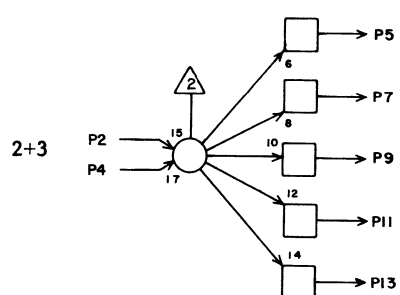
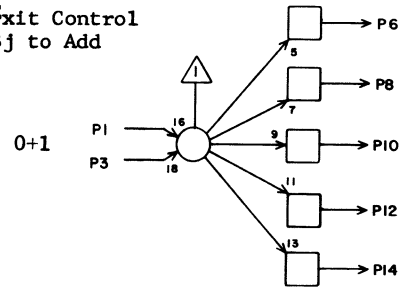
7M25

1	C25	2	41
2	P41	21	23
3	K41	11	19
4	N32	21	11
5	L21	26	7
6	P33	25	19
7	P32	25	19
8	N32	9	11
9	J19	10	15
10	P41	11	23
11	N9	8	19
12	E42	20	35
13	E42	10	35
14	C25	7	41
15	J19	20	15
16	N10	8	17
17	K41	21	19
18	N21	26	9
19	J19	21	15
20	C25	9	41
21	K41	20	17
22	E42	11	35
23	E42	21	35
24	K41	10	19
25	C25	12	41
26	N11	8	17
27	N12	8	17
28	J19	9	17

JACK PIN LG

63017300 Rev. D.

Exit Control  
Bj to Add



7M26

TD

7M26

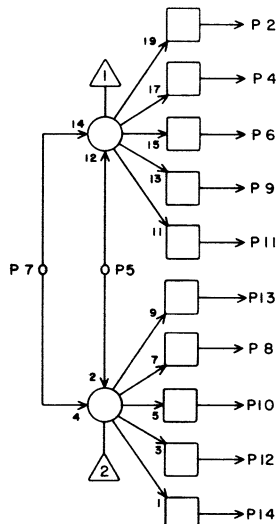
1	K36	15	13
2	K36	13	13
3	E30	22	41
4	Gnd		2
5	M27	25	5
6	M27	5	5
7	P21	1	15
8	P20	16	19
9			
10			
11			
12			
13			
14			
15	N27	25	9
16	N27	5	9
17	P21	16	19
18	P21	28	17
19			
20			
21			
22			
23			
24			
25	K36	9	15
26	K36	12	15
27	Gnd		2
28	Gnd		2

JACK PIN LG

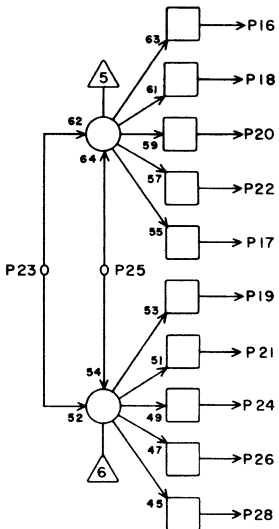
63017300 Rev. F

Exit Control  
B<sub>j</sub>m to Add

0+1



2+3



HC 7M27

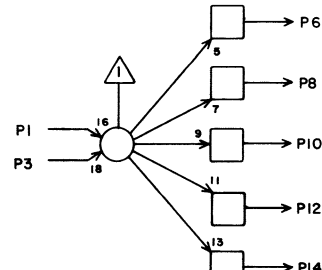
1			
2	Q24	9	21
3			
4	Q25	9	21
5	M26	6	5
6	Q26	9	21
7	Gnd		2
8	Q30	9	19
9	Q27	9	21
10	Q31	9	21
11	Q28	9	21
12	Q32	9	21
13	Q29	9	19
14	R24	9	23
15			
16	Q24	13	21
17	Q28	13	21
18	Q25	13	21
19	Q29	13	19
20	Q26	13	21
21	Q30	13	19
22	Q27	13	21
23	Gnd		2
24	Q31	13	21
25	M26	5	5
26	Q32	13	21
27			
28	R24	13	23

JACK PIN LG

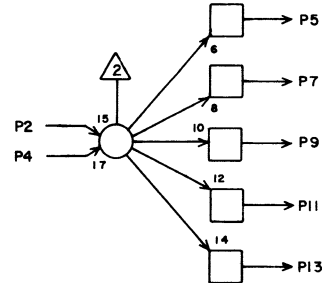
63017300 Rev. D

Entry Control  
Increment to B

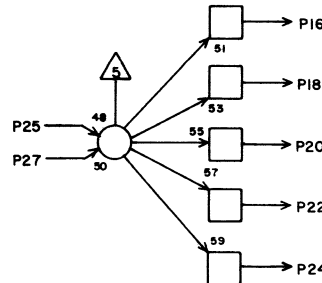
Increment to B0



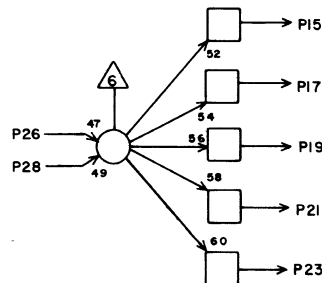
Increment to B1



Increment to B2



Increment to B3



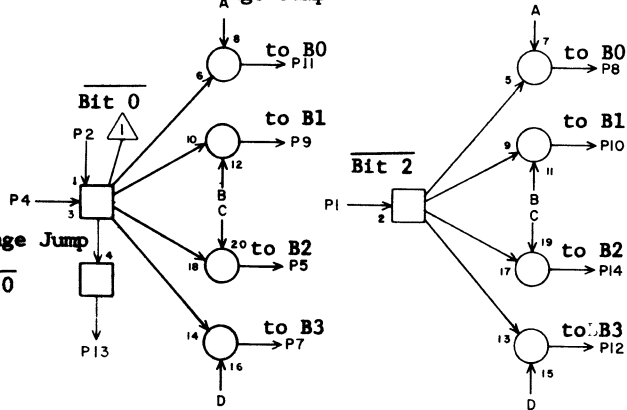
T D 7M28

1	F20	28	27
2	F21	28	27
3	Gnd		2
4	gnd		2
5	M29	25	5
6	M29	16	5
7	M31	25	7
8	M31	16	7
9	M33	25	9
10	M33	16	9
11	N30	25	9
12	N30	16	9
13	N32	25	9
14	N32	16	9
15	M29	6	5
16	M29	3	5
17	M31	6	7
18	M31	3	7
19	M33	6	9
20	M33	3	9
21	N30	6	7
22	N30	3	7
23	N32	6	9
24	N32	3	9
25	F22	28	31
26	F23	28	31
27	gnd		2
28	gnd		2

JACK PIN LG

63017300 Rev. F

Entry Control  
Increment to B & Exchange Jump

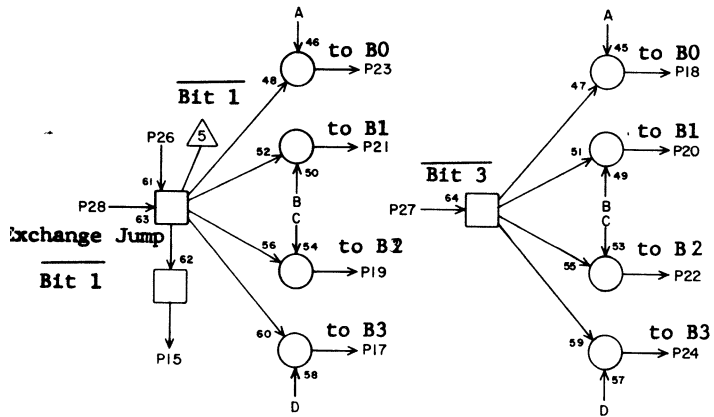


Increment to B3 P6 → 2

Increment to B2 P3 → 3

Increment to B0 P16 → 4

Increment to B1 P25 → 6



Increment to B3 P26 → 5

Increment to B2 P28 → 6

Increment to B0 P63 → 6

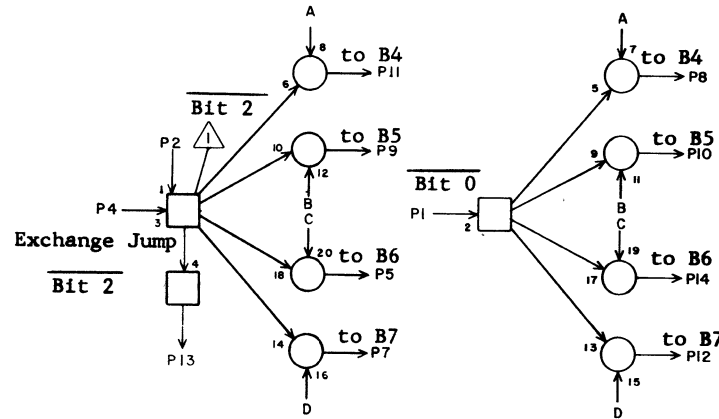
Increment to B1 P62 → 6

RC **7M29**

1	M30	13	5
2	F38	7	31
3	M28	16	5
4	A38	14	45
5	N16	8	17
6	M28	15	5
7	O16	8	17
8	L17	8	15
9	M16	8	15
10	M17	8	15
11	L16	8	17
12	O17	8	17
13	M30	1	5
14	N17	8	17
15	M30	27	5
16	M28	6	5
17	O16	4	17
18	L17	4	15
19	N16	4	15
20	M17	4	15
21	M16	4	15
22	N17	4	15
23	L16	4	17
24	O17	4	17
25	M28	5	5
26	F38	19	31
27	M30	15	5
28	A38	22	47
	JACK	PIN	LG

63017300 Rev. D

Entry Control  
Increment to B & Exchange Jump

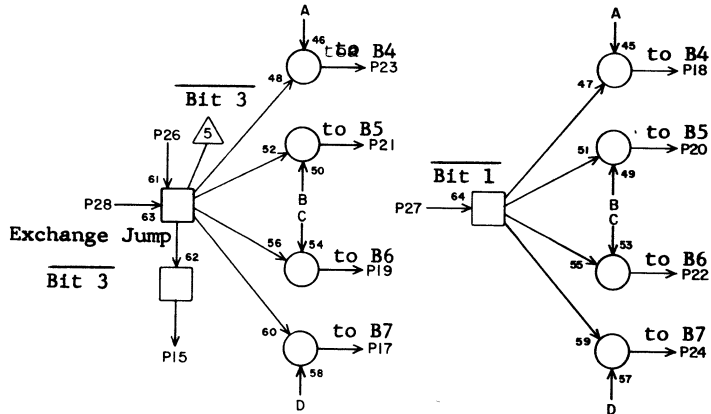


Increment to B7 P6 → 2

Increment to B6 P3 → 3

Increment to B4 P16 → 4

Increment to B5 P25 → 6



Increment to B3 P26 → 5

Increment to B2 P28 → 6

Increment to B0 P63 → 6

Increment to B1 P62 → 6

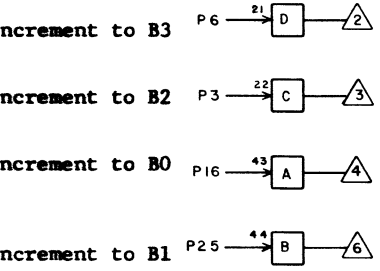
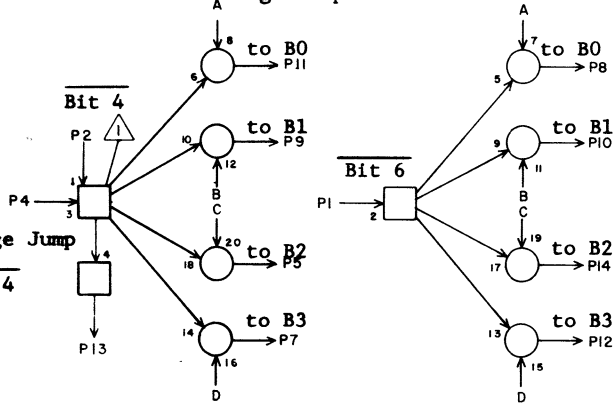
RC **7M30**

1	M29	13	5
2	F38	14	31
3	N28	16	9
4	A38	7	45
5	R7	4	33
6	N28	15	9
7	R10	4	29
8	R1	1	33
9	R4	4	33
10	R4	1	33
11	R1	4	33
12	R10	1	29
13	M29	1	5
14	R7	1	33
15	M29	27	5
16	N28	6	9
17	R10	14	29
18	R1	8	33
19	R7	14	33
20	R4	8	33
21	R4	14	33
22	R7	8	33
23	R1	14	35
24	R10	8	29
25	N28	5	9
26	F38	22	31
27	M29	15	5
28	A38	19	47
	JACK	PIN	LG

63017300 Rev. D

7M30

Entry Control  
Increment to B & Exchange Jump

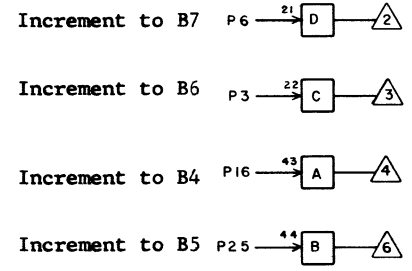
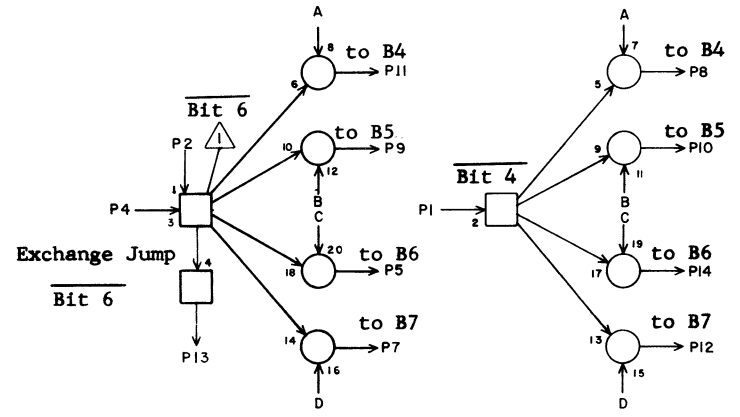


RC 7M31

1	M32	13	5
2	F40	7	31
3	M28	18	7
4	A40	14	45
5	N18	8	15
6	M28	17	7
7	O18	8	17
8	L19	8	15
9	M18	8	15
10	M19	8	15
11	L18	8	17
12	O19	8	17
13	M32	1	5
14	N19	8	15
15	M32	27	5
16	M28	8	7
17	O18	4	17
18	L19	4	15
19	N18	4	15
20	M19	4	15
21	M18	4	15
22	N19	4	15
23	L18	4	17
24	O19	4	17
25	M28	7	7
26	F40	19	31
27	M32	15	5
28	A40	22	47

JACK PIN LG

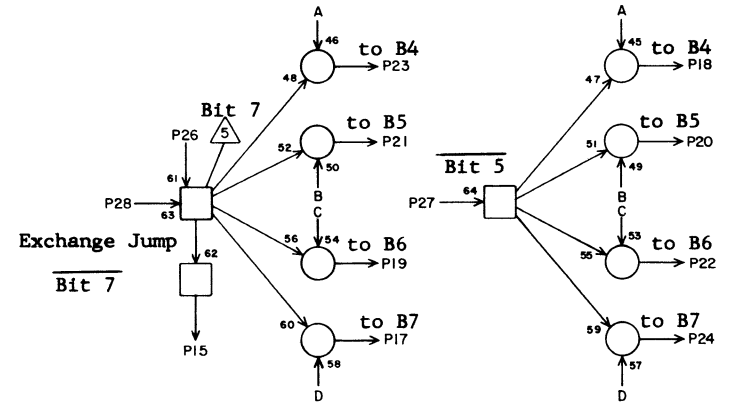
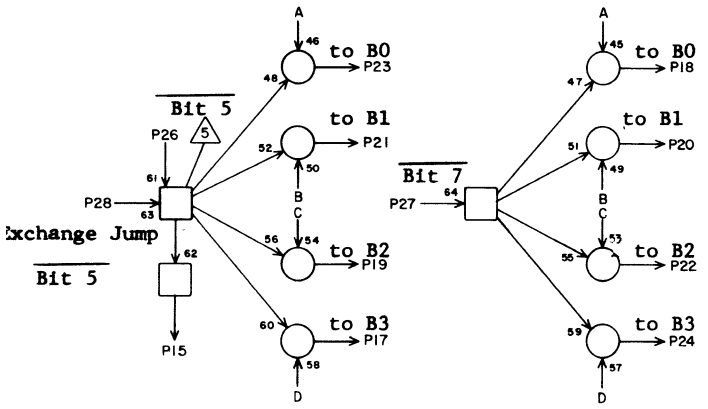
Entry Control  
Increment to B & Exchange Jump



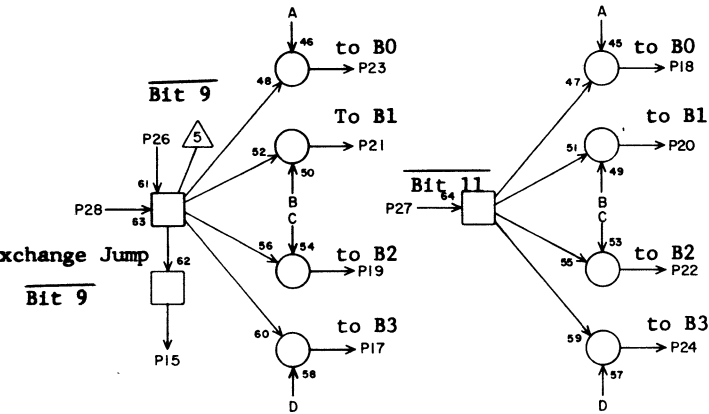
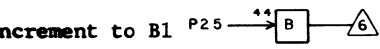
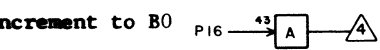
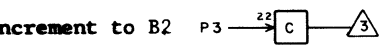
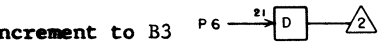
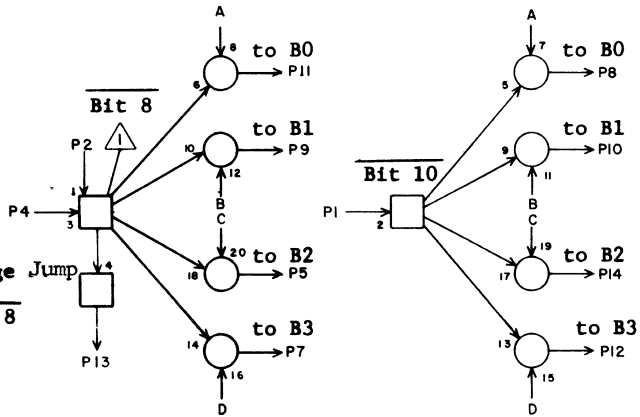
RC 7M 32

1	M 31	13	5
2	F 40	14	31
3	N28	18	9
4	A40	7	45
5	R 8	1	33
6	N28	17	9
7	R11	1	29
8	R 1	20	35
9	R 5	1	35
10	R 4	20	35
11	R 2	1	35
12	R10	20	33
13	M31	1	5
14	R 7	20	33
15	M31	27	5
16	N28	8	9
17	R11	8	29
18	R 1	25	35
19	R 8	8	33
20	R 4	25	33
21	R 5	8	33
22	R 7	25	33
23	R 2	8	35
24	R10	25	33
25	N28	7	9
26	F40	22	31
27	M31	15	5
28	A40	19	47

JACK PIN LG



Entry Control  
Increment to B & Exchange Jump

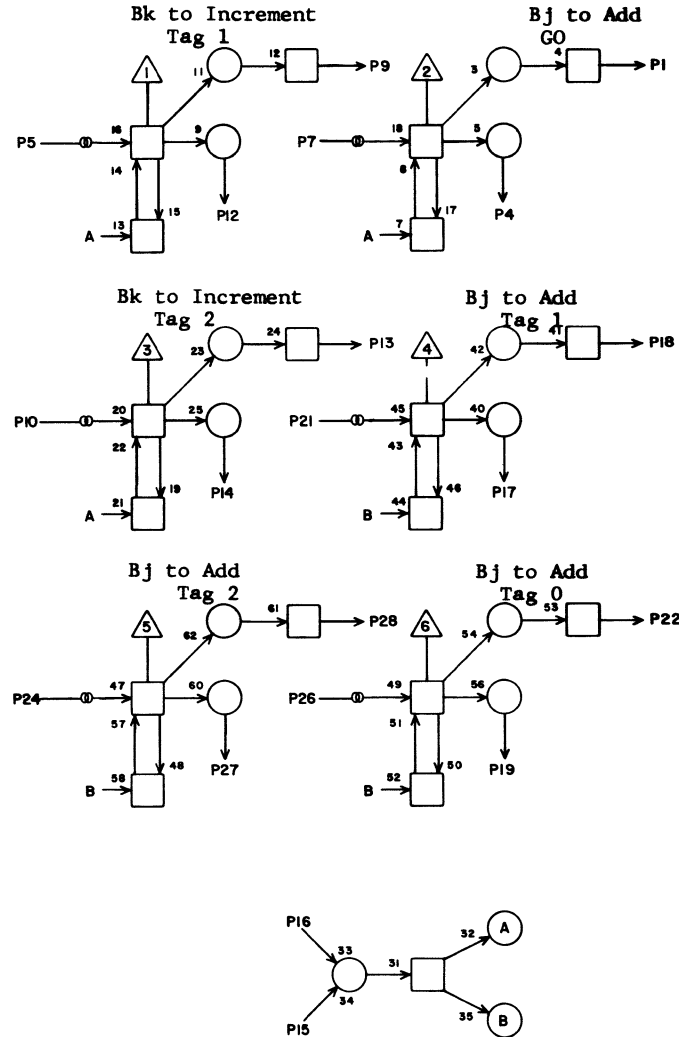


RC 7M 33

1	N29	13	9
2	F42	7	31
3	M28	20	9
4	A42	14	45
5	N20	8	15
6	M28	19	9
7	O20	8	17
8	L22	8	15
9	M20	8	15
10	M22	8	13
11	L20	8	17
12	O22	8	17
13	N29	1	9
14	N22	8	15
15	N29	27	9
16	M28	10	9
17	O20	4	17
18	L22	4	15
19	N20	4	15
20	M22	4	13
21	M20	4	15
22	N22	4	15
23	L20	4	17
24	O22	4	17
25	M28	9	9
26	F42	19	31
27	N29	15	9
28	A42	22	96
	JACK	PIN	LG

63017300 Rev. D

Exit Control



7M34

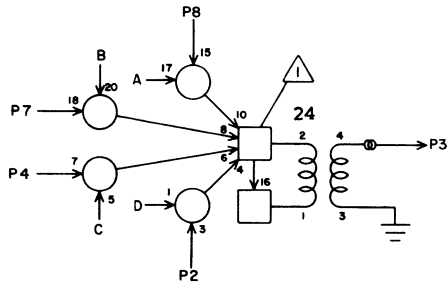
PI 7M34

1	N34	3180
2		
3		
4		
5	W19	906
6		
7	W18	93
8		
9		
10	W19	907
11		
12	K35	6 11
13		
14	K35	8 11
15	GND	2
16	I15	24 25
17	K36	6 11
18		
19	P23	6 19
20		
21	W18	95
22	E30	21 45
23		
24	W18	96
25		
26	W18	94
27	K36	8 13
28		
	JACK	PIN LG

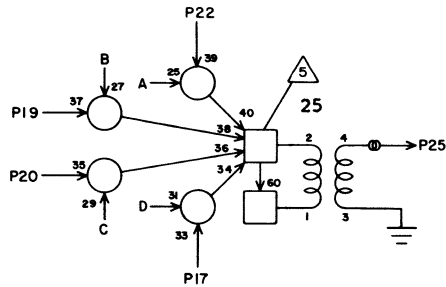
63017300 Rev. F

Exit Control: Trunk  
Xj to Add

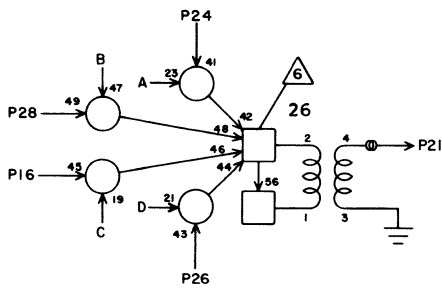
X, Bit 24



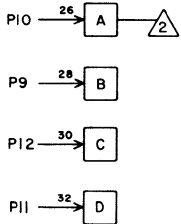
X, Bit 25



X, Bit 26



Xj,  $\overline{\text{Go}}$



RG

7M 35

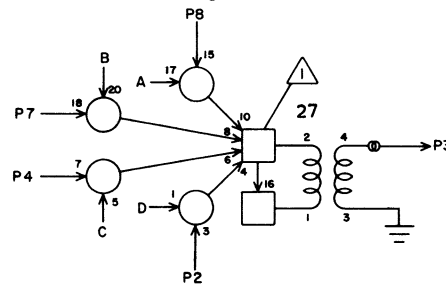
1			
2			
3	W29	96	
4			
5			
6			
7	N 1	12	33
8			
9	N34	21	9
10	GND		2
11	GND		2
12	GND		2
13			
14			
15			
16			
17			
18			
19	N 2	12	33
20			
21	W29	98	
22			
23			
24			
25	W29	97	
26			
27			
28	N 3	12	33

JACK PIN LG

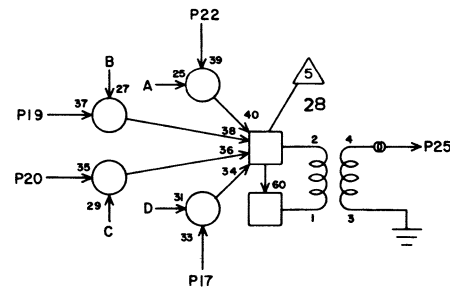
63017300 Rev. D

Exit Control: Trunk  
Xj to Add

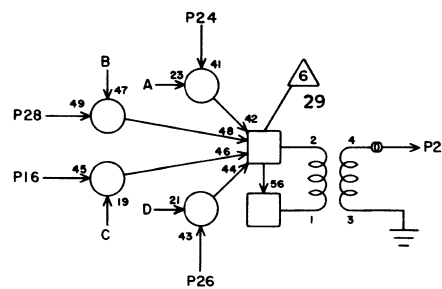
X, Bit 27



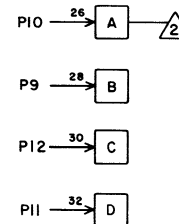
X, Bit 28



X, Bit 29



Xj,  $\overline{\text{Go}}$



RG

7M 36

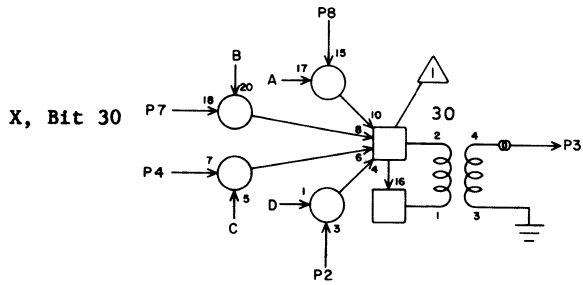
1			
2			
3	W29	99	
4			
5			
6			
7	N 4	12	33
8			
9	N34	19	9
10	GND		2
11	GND		2
12	GND		2
13			
14			
15			
16			
17			
18			
19	N 5	12	33
20			
21	W29	901	
22			
23			
24			
25	W29	900	
26			
27			
28	N 6	12	29

JACK PIN LG

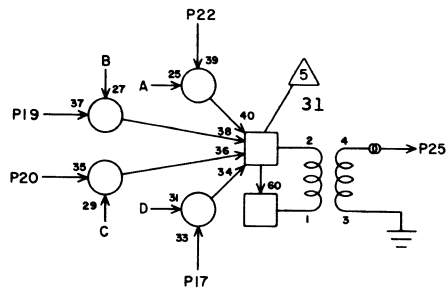
63017300 Rev. D



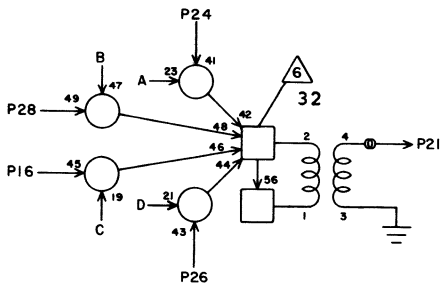
Exit Control: Trunk  
Xj to Add



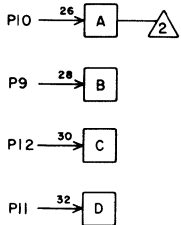
X, Bit 31



X, Bit 32



Xj,  $\overline{\text{Go}}$



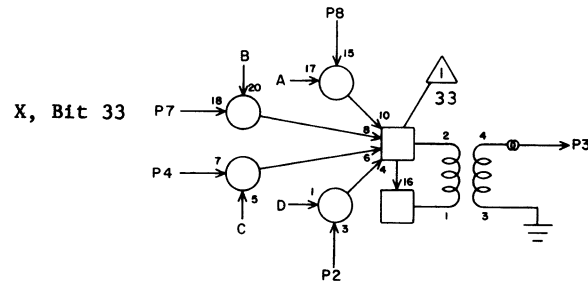
RG

7M 37

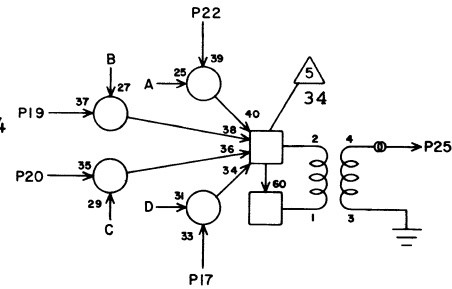
1			
2			
3	W29	902	
4			
5			
6			
7	N 7	12	31
8			
9	N34	17	9
10	GND		2
11	GND		2
12	GND		2
13			
14			
15			
16			
17			
18			
19	N 8	12	31
20			
21	W29	904	
22			
23			
24			
25	W29	903	
26			
27			
28	N 9	12	29

JACK PIN LG

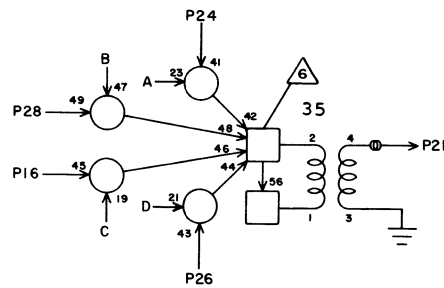
Exit Control: Trunk  
Xj to Add



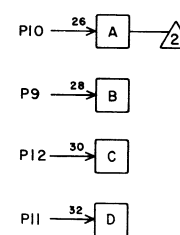
X, Bit 34



X, Bit 35



Xj,  $\overline{\text{Go}}$



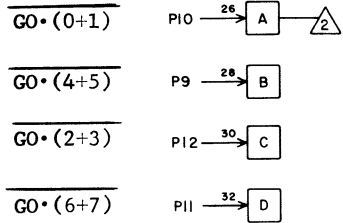
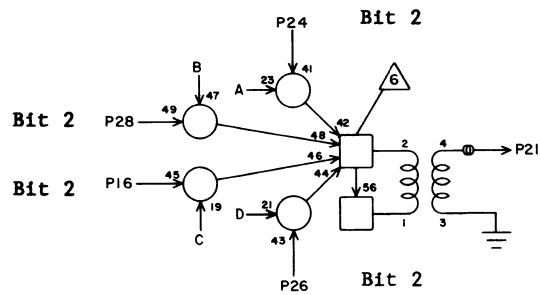
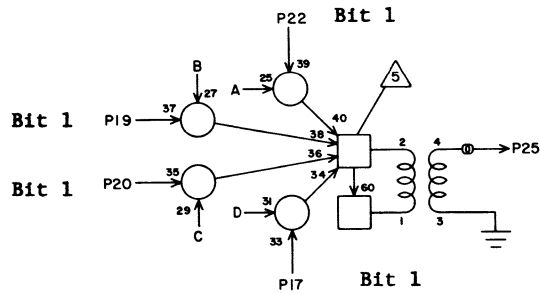
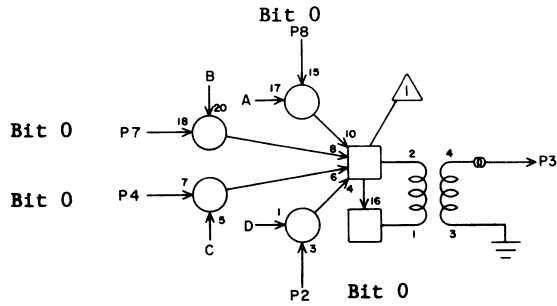
RG

7M 38

1			
2			
3	W29	905	
4			
5			
6			
7	N10	12	29
8			
9	N34	27	11
10	GND		2
11	GND		2
12	GND		2
13			
14			
15			
16			
17			
18			
19	N11	12	27
20			
21	W29	907	
22			
23			
24			
25	W29	906	
26			
27			
28	N12	12	27

JACK PIN LG

Exit Control: Trunk  
Xk to Add



RG

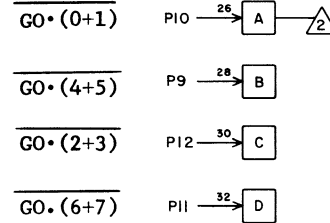
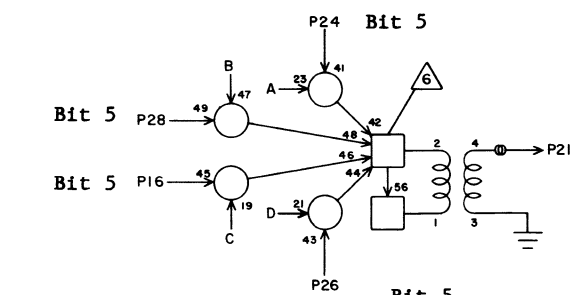
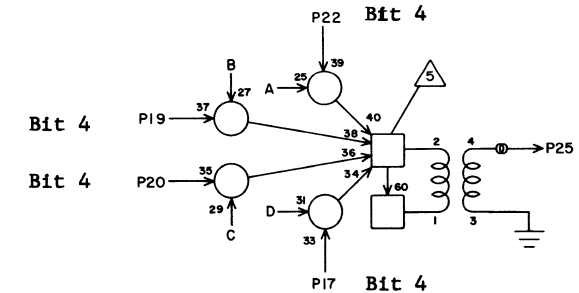
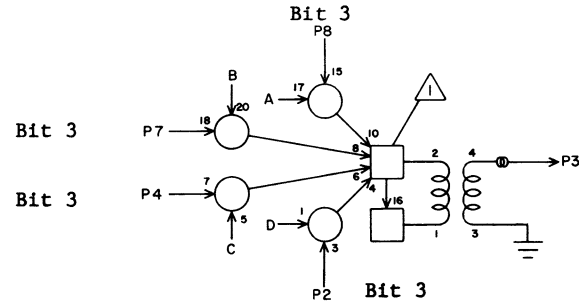
7M 39

1			
2	O 1	1	35
3	W24	90	
4	G 1	1	43
5			
6			
7	L 1	1	37
8	B 1	1	53
9	O 35	25	13
10	O 35	15	13
11	P 35	25	17
12	P 35	15	17
13			
14			
15			
16	G 3	1	41
17	O 2	1	35
18			
19	L 2	1	35
20	G 2	1	41
21	W24	92	
22	B 2	1	53
23			
24	B 3	1	53
25	W24	91	
26	O 3	1	35
27			
28	L 3	1	35

JACK PIN LG

63017300 Rev. D

Exit Control: Trunk  
Xk to Add



RG

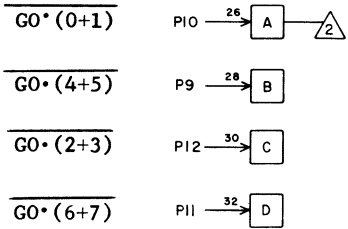
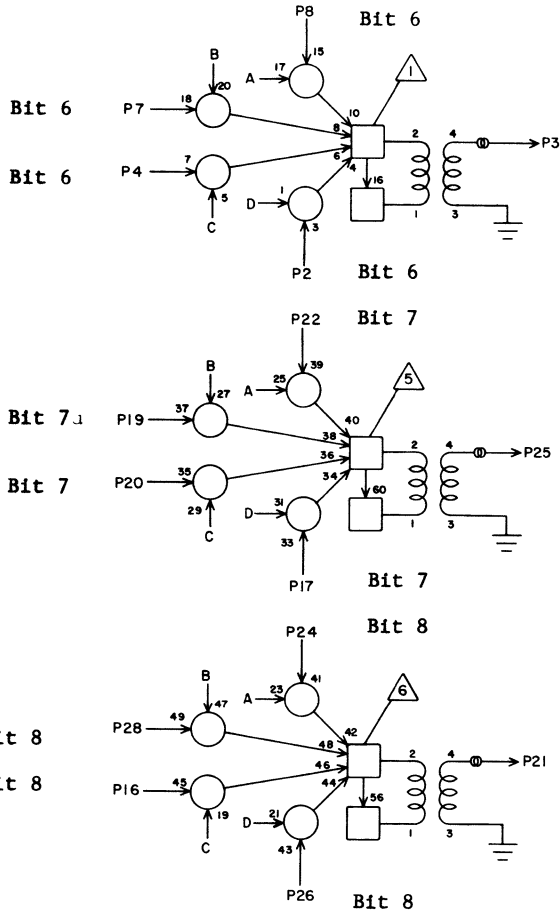
7M 40

1			
2	O 4	1	35
3	W24	93	
4	G 4	1	41
5			
6			
7	L 4	1	35
8	B 4	1	51
9	O 35	23	13
10	O 35	7	13
11	P 35	23	17
12	P 35	7	17
13			
14			
15			
16	G 6	1	41
17	O 5	1	35
18			
19	L 5	1	35
20	G 5	1	41
21	W24	95	
22	B 5	1	53
23			
24	B 6	1	53
25	W24	94	
26	O 6	1	33
27			
28	L 6	1	35

JACK PIN LG

63017300 Rev. D

Exit Control: Trunk  
Xk to Add

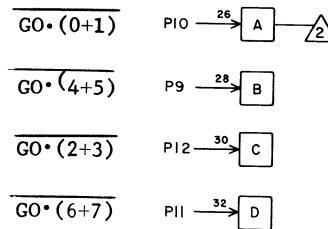
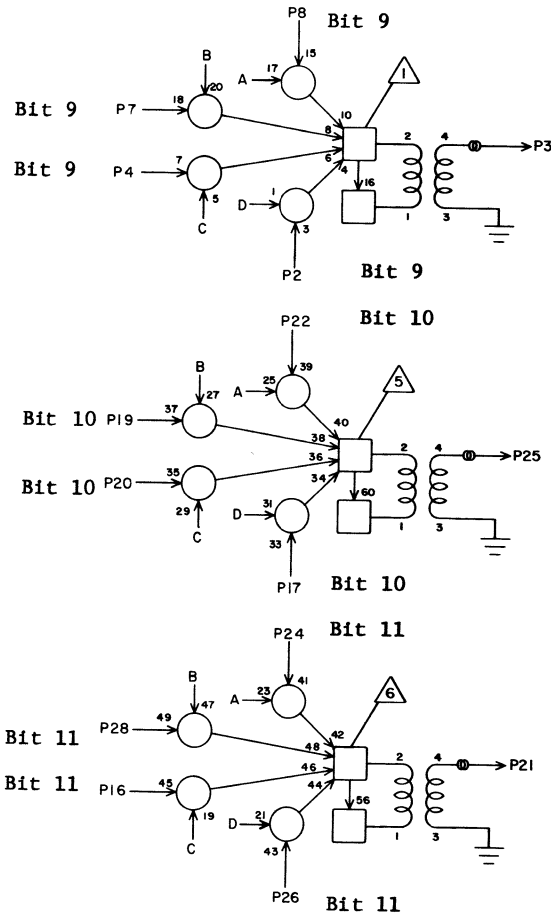


RG 7M 41

1			
2	O 7	1	35
3	W24	96	
4	G 7	1	41
5			
6			
7	L 7	1	35
8	B 7	1	51
9	O35	26	15
10	O35	6	15
11	P35	26	17
12	P35	6	17
13			
14			
15			
16	G 9	1	39
17	O 8	1	35
18			
19	L 8	1	35
20	G 8	1	41
21	W24	98	
22	B 8	1	51
23			
24	B 9	1	51
25	W24	97	
26	O 9	1	33
27			
28	L 9	1	33

JACK PIN LG

Exit Control: Trunk  
Xk to Add

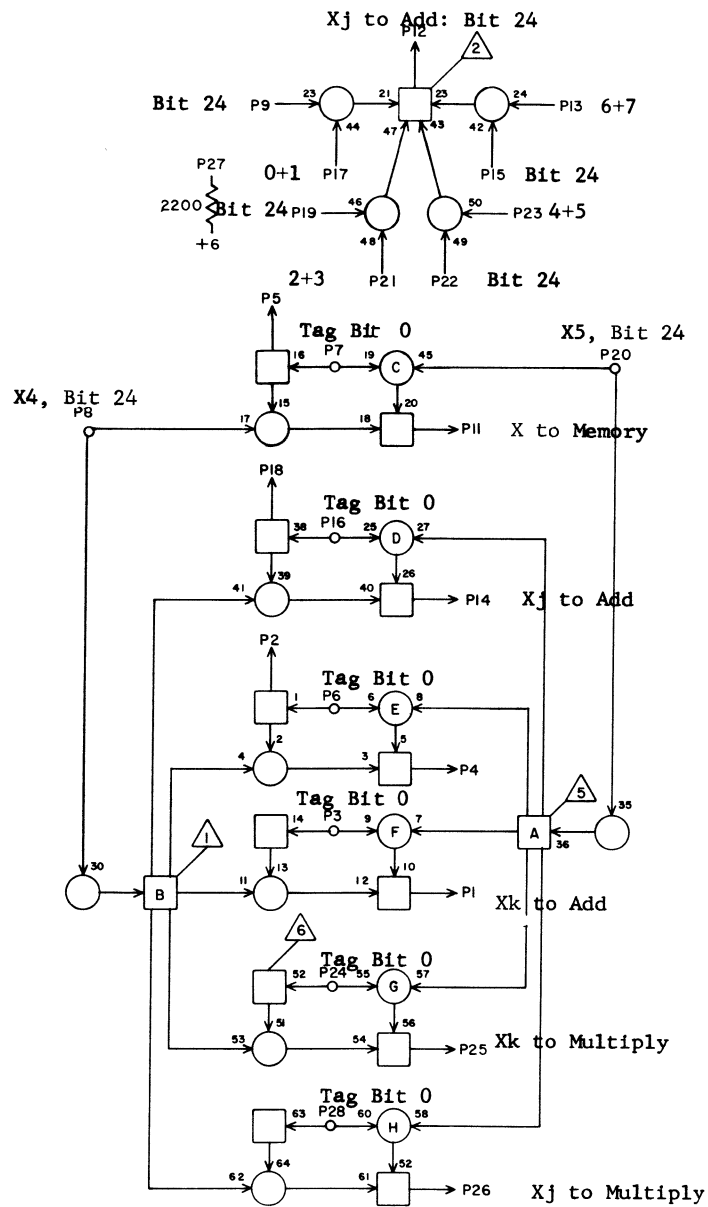


RG 7M 42

1			
2	O10	1	33
3	W24	99	
4	H 1	11	41
5			
6			
7	L10	1	33
8	C 1	11	53
9	O35	24	15
10	O35	4	15
11	P35	24	19
12	P35	4	17
13			
14			
15			
16	H 3	11	41
17	O11	1	33
18			
19	L11	1	29
20	H 2	11	41
21	W24	901	
22	C 2	11	51
23			
24	C 3	11	51
25	W24	900	
26	O12	1	29
27			
28	L12	1	29

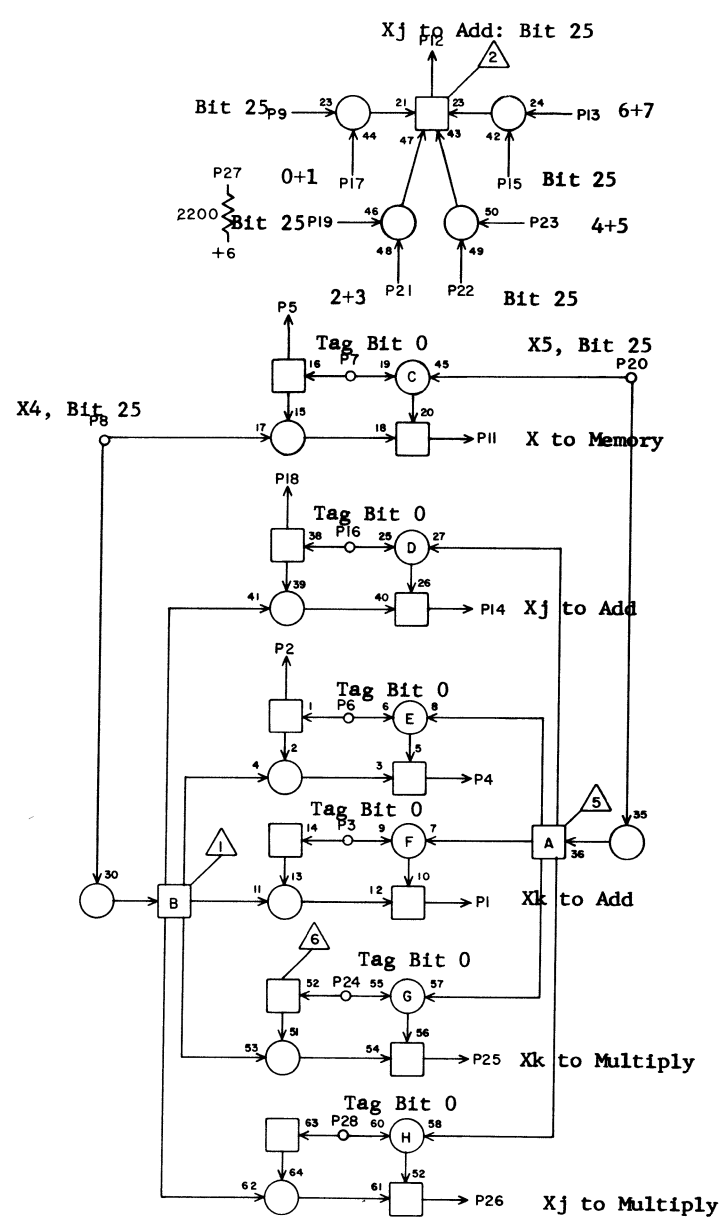
JACK PIN LG

Exit Control: X Registers



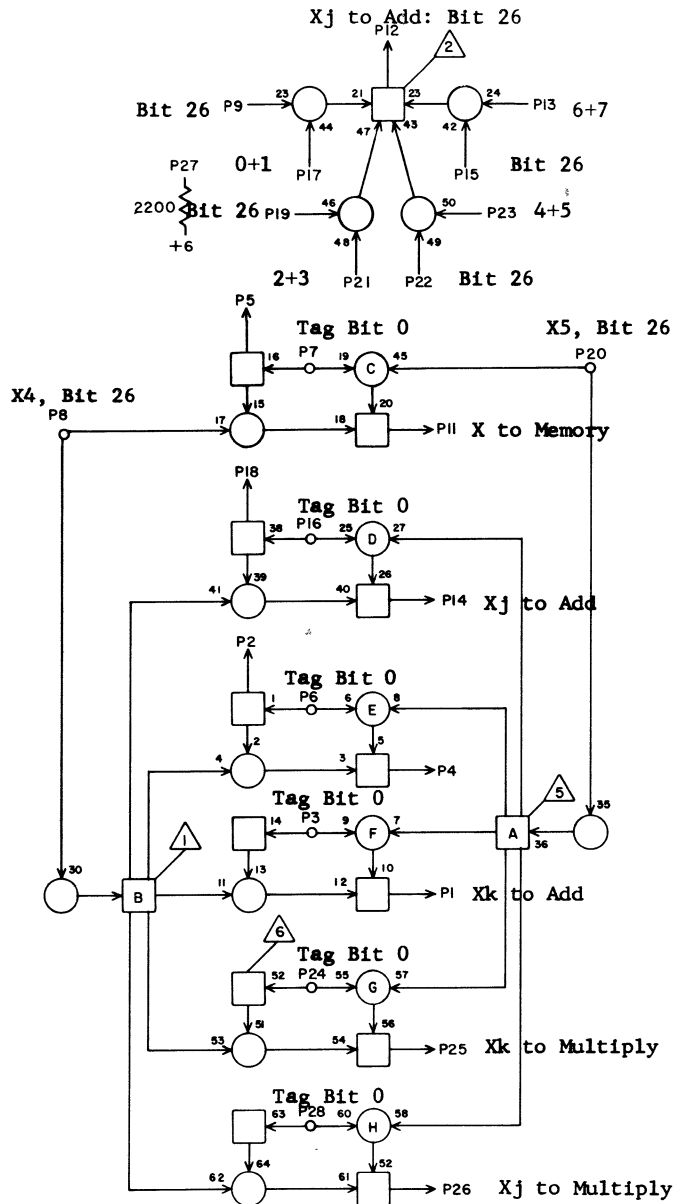
RF			
7 N 1			
1	N39	7	35
2	N 7	28	9
3	N 7	5	9
4			
5	N 7	3	9
6			
7	K11	25	11
8	L23	11	23
9	D 7	14	39
10			
11	D 7	22	39
12	M35	7	33
13	O15	25	15
14	N 1	22	3
15	P12	25	17
16	K14	15	19
17	N15	15	17
18	N 7	24	9
19	I 7	14	23
20	M23	11	23
21	N15	25	15
22	N 1	14	3
23	O15	15	15
24	N 7	18	9
25	H31	4	39
26	J31	4	33
27			
28	N 7	2	9
	JACK	PIN	LG

Exit Control: X Registers



RF			
7 N 2			
1	N39	19	35
2	N 8	28	9
3	N 8	5	9
4			
5	N 8	3	9
6			
7	K11	23	15
8	L23	16	23
9	D 8	14	39
10			
11	D 8	22	39
12	M35	19	33
13	O15	23	17
14	N 2	22	3
15	P13	25	17
16	K14	7	19
17	N15	7	15
18	N 8	24	9
19	I 8	14	23
20	M23	16	23
21	N15	23	15
22	N 2	14	3
23	O15	7	15
24	N 8	18	9
25	H31	20	35
26	J31	20	33
27			
28	N 8	2	9
	JACK	PIN	LG

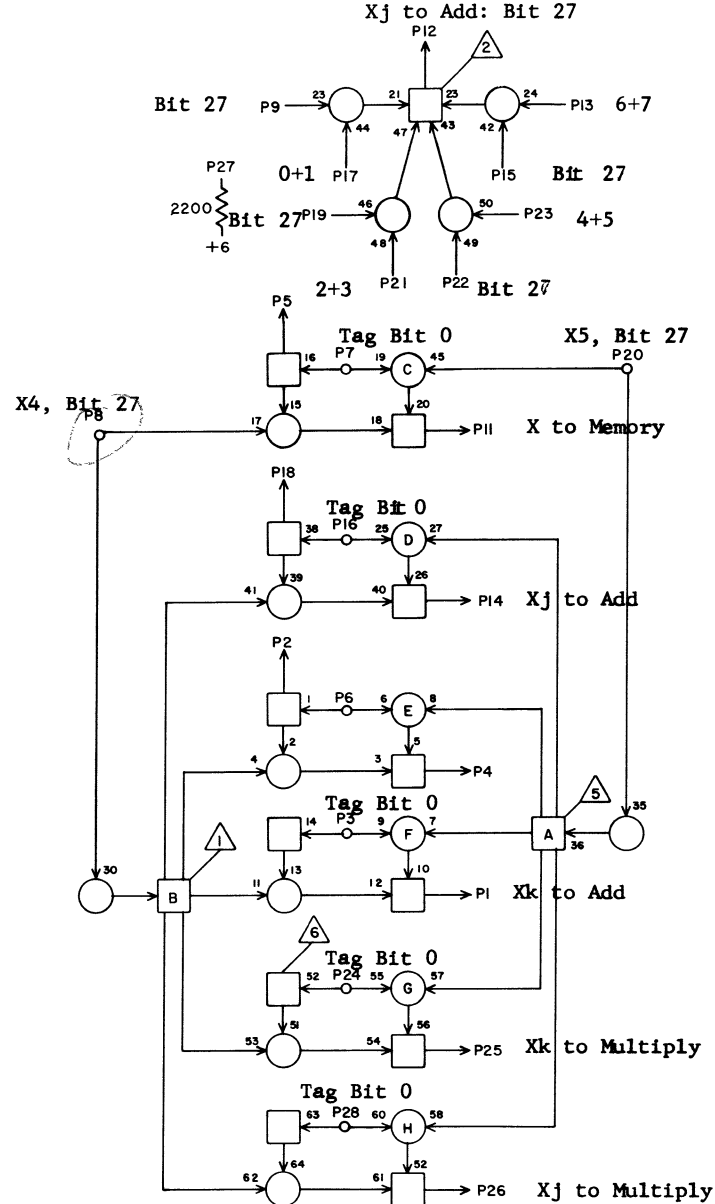
Exit Control: X Registers



RF			
	7	N	3
1	N39	28	35
2	N 9	28	9
3	N 9	5	9
4			
5	N 9	3	9
6			
7	K11	26	15
8	L23	26	21
9	D 9	14	39
10			
11	D 9	22	39
12	M35	28	33
13	O15	26	15
14	N 3	22	3
15	Q 1	14	15
16	K14	6	19
17	N15	6	13
18	N 9	24	9
19	I 9	14	23
20	M23	26	21
21	N15	26	13
22	N 3	14	3
23	O15	6	13
24	N 9	18	9
25	H31	16	35
26	J31	16	31
27			
28	N 9	2	9
	JACK	PIN	LG

63017300 Rev. D

Exit Control: X Registers

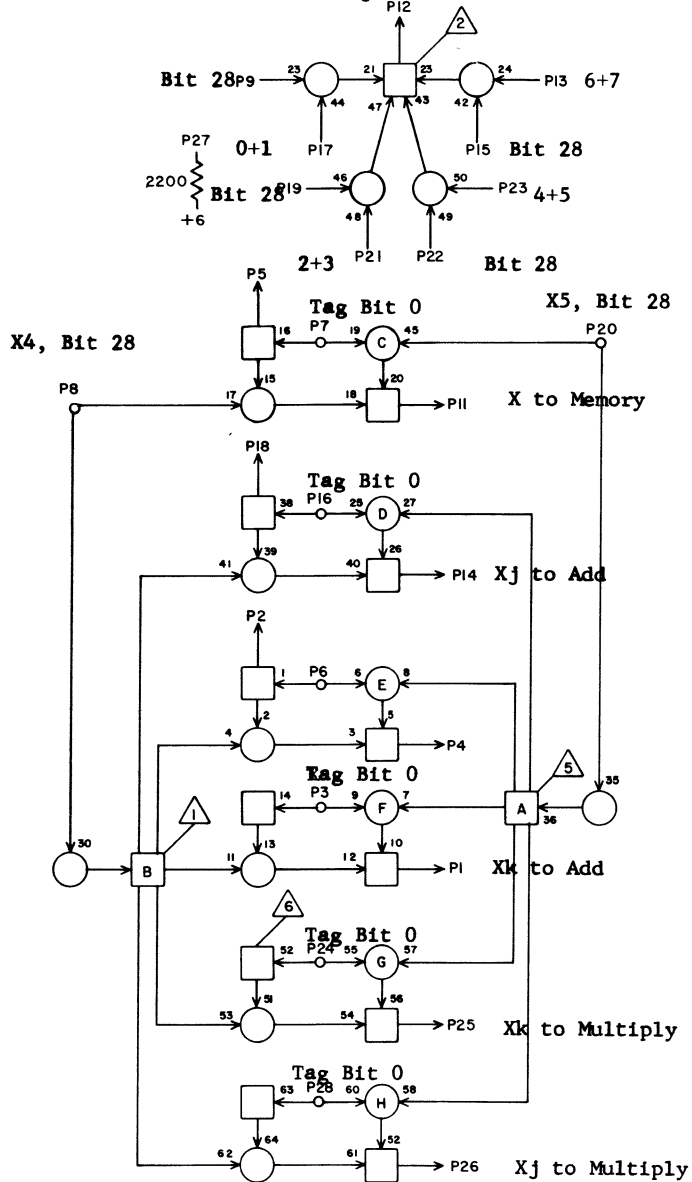


RF			
	7	N	4
1	N40	7	35
2	N10	28	9
3	N10	5	9
4			
5	N10	3	9
6			
7	K11	24	15
8	L23	27	21
9	E 1	25	35
10			
11	E 1	22	35
12	M36	7	33
13	O15	24	13
14	N 4	22	3
15	Q 2	14	15
16	K14	4	19
17	N15	4	13
18	N10	24	9
19	J 1	25	19
20	M23	27	21
21	N15	24	13
22	N 4	14	3
23	O15	4	13
24	N10	18	9
25	H32	4	37
26	J32	4	33
27			
28	N10	2	9
	JACK	PIN	LG

63017300 Rev. D

Exit Control: X Registers

SX<sub>j</sub> to Add: Bit 28

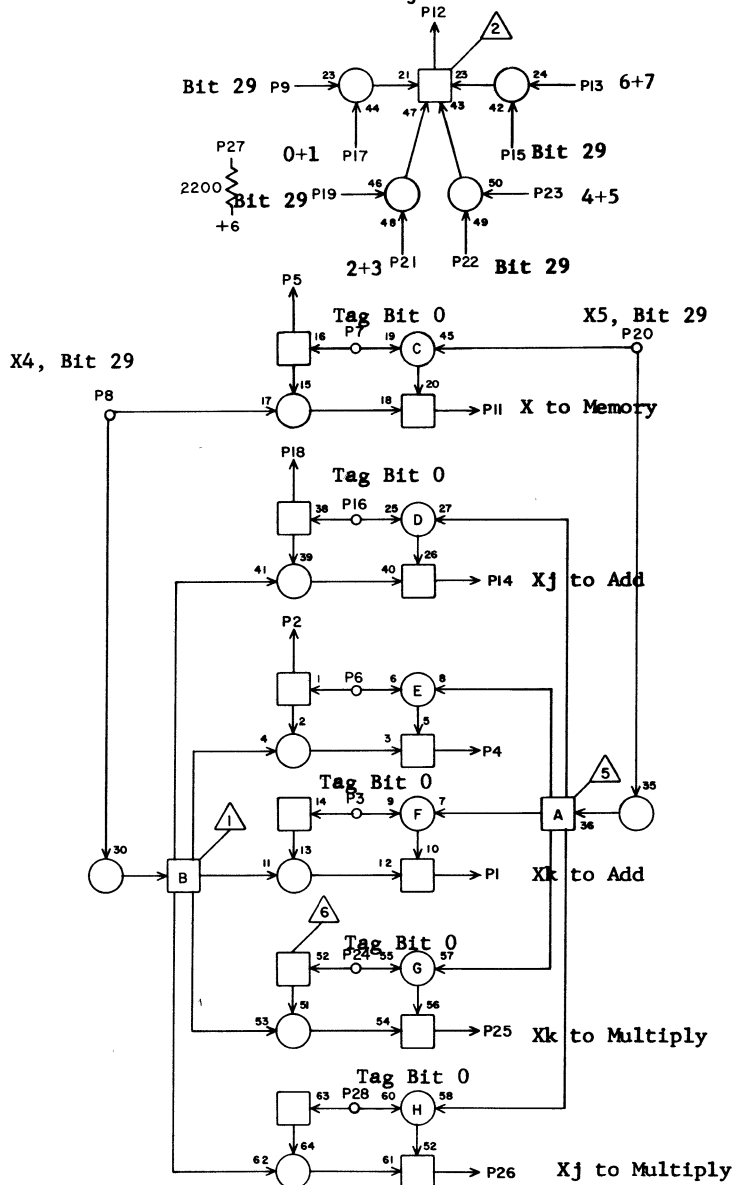


RF

7 N 5

1	N40	19	35
2	N11	28	9
3	N11	5	9
4			
5	N11	3	9
6			
7	K11	22	15
8	L24	11	23
9	E 2	25	35
10			
11	E 2	22	35
12	M36	19	33
13	O15	22	13
14	N 5	22	3
15	Q 3	14	15
16	K14	9	17
17	N15	9	13
18	N11	24	9
19	J 2	25	19
20	M24	11	21
21	N15	22	13
22	N 5	14	3
23	O15	9	13
24	N11	18	9
25	H32	20	35
26	J32	20	31
27			
28	N11	2	9

Exit Control: X Registers  
X<sub>j</sub> to Add: Bit 29

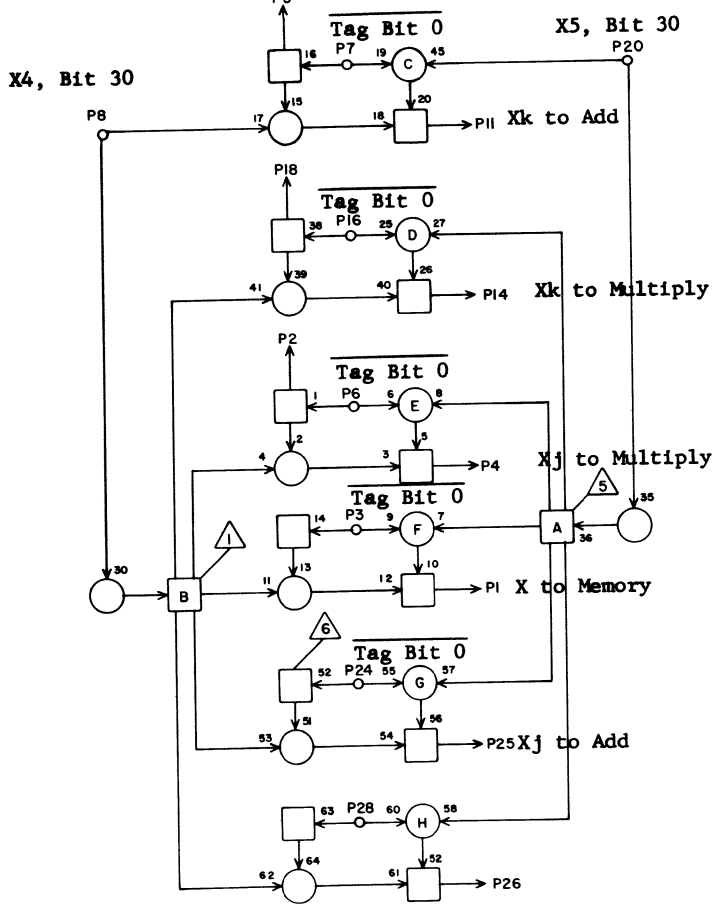
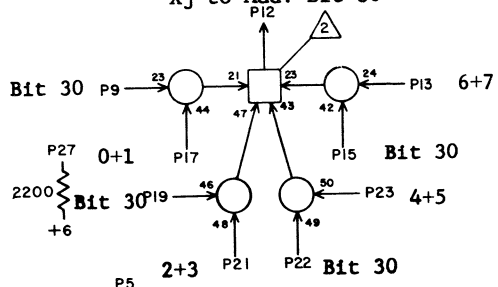


RF

7 N 6

1	N40	28	35
2	N12	28	9
3	N12	5	9
4			
5	N12	3	9
6			
7	K11	20	15
8	L24	16	21
9	E 3	25	35
10			
11	E 3	22	35
12	M36	28	29
13	O15	20	13
14	N 6	22	3
15	Q 4	14	15
16	K14	11	17
17	N15	11	11
18	N12	24	9
19	J 3	25	19
20	M24	16	21
21	N15	20	11
22	N 6	14	3
23	O15	11	13
24	N12	18	9
25	H32	16	35
26	J32	16	31
27			
28	N12	2	9

Exit Control: X Registers  
Xj to Add: Bit 30

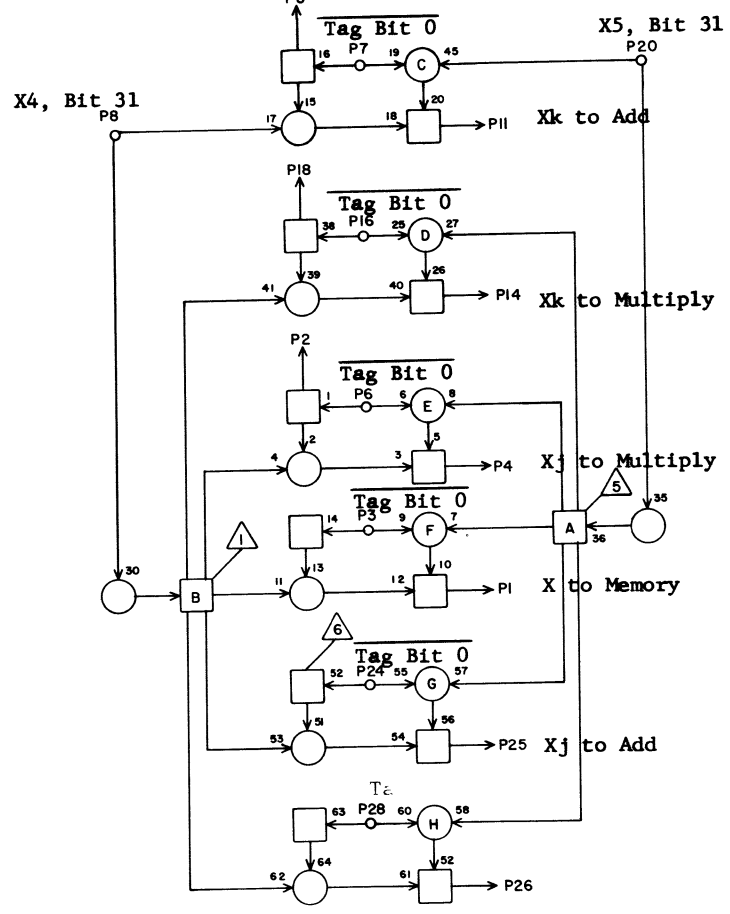
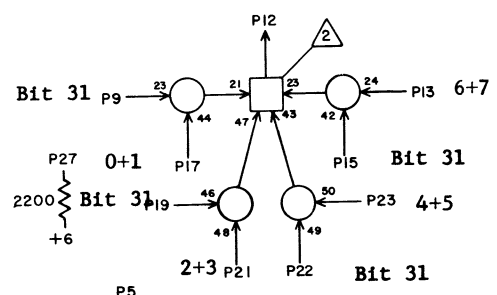


RF			
	7	N	7
1	E	4	22 35
2	N	1	28 9
3	N	1	5 9
4	J	33	4 31
5	N	1	3 9
6	L	14	25 13
7	K	14	25 15
8	M	24	26 21
9	E	4	25 35
10			
11	N	41	7 33
12	M	37	7 31
13	O	15	18 11
14	H	33	4 35
15	Q	5	14 15
16	L	14	15 13
17	N	15	13 11
18	N	1	24 9
19	J	4	25 19
20	L	24	26 19
21	N	15	18 11
22	N	7	25 3
23	O	15	13 11
24	N	1	18 9
25	N	7	22 3
26			
27			
28	N	1	2 9

JACK PIN LG

63017300 Rev. D

Exit Control: X Registers  
Xj to Add: Bit 31



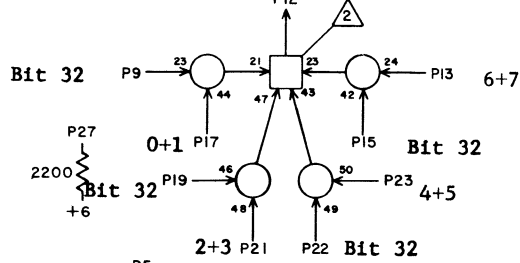
RF			
	7	N	8
1	E	5	22 35
2	N	2	28 9
3	N	2	5 9
4	J	33	20 29
5	N	2	3 9
6	L	14	23 13
7	K	14	23 15
8	M	24	27 19
9	E	5	25 35
10			
11	N	41	19 33
12	M	37	19 31
13	O	15	28 11
14	H	33	20 33
15	Q	6	25 15
16	L	14	7 13
17	N	15	1 11
18	N	2	24 9
19	J	5	25 19
20	L	24	27 19
21	N	15	28 11
22	N	8	25 3
23	O	15	1 11
24	N	2	18 9
25	N	8	22 3
26			
27			
28	N	2	2 9

JACK PIN LG

63017300 Rev. D

Exit Control: X Registers

Xj to Add: Bit 32



RF 7N 9

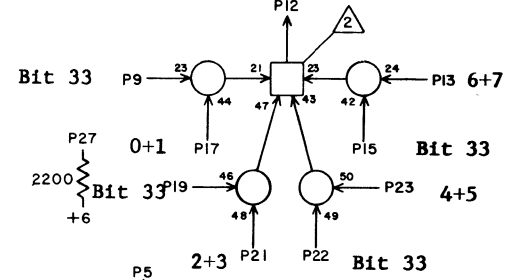
1	E 6	22	35
2	N 3	28	9
3	N 3	5	9
4	J33	16	29
5	N 3	3	9
6	L14	26	11
7	K14	26	13
8	M25	11	19
9	E 6	25	35
10			
11	N41	28	31
12	M37	28	29
13	O15	21	11
14	H33	16	33
15	Q 7	25	15
16	L14	6	13
17	N15	8	9
18	N 3	24	9
19	J 6	25	19
20	L25	11	21
21	N15	21	9
22	N 9	25	3
23	O15	8	9
24	N 3	18	9
25	N 9	22	3
26			
27			
28	N 3	2	9

JACK PIN LG

63017300 Rev. D

Exit Control: X Registers

Xj to Add: Bit 33



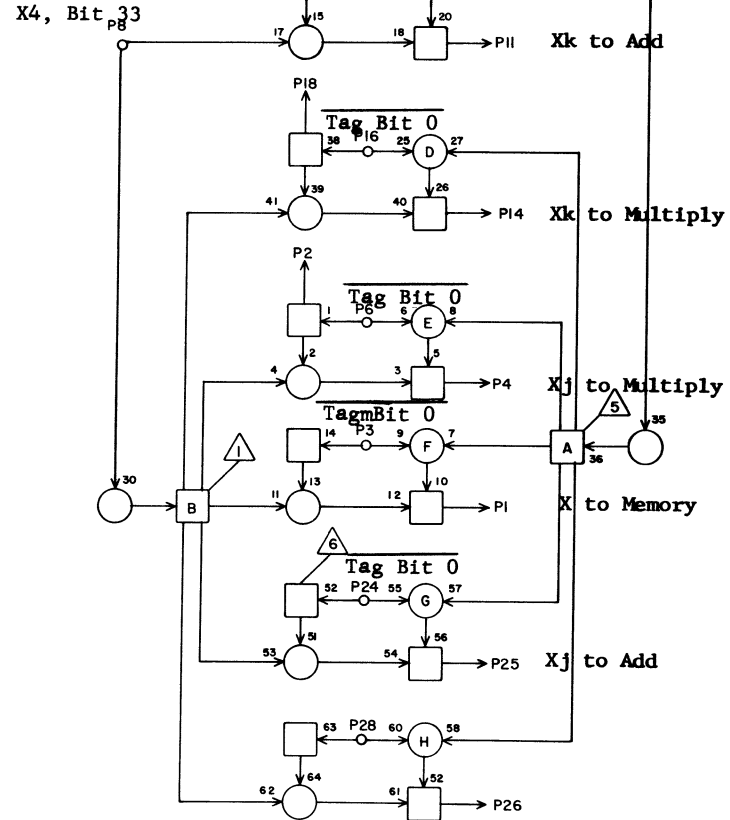
RF 7N 10

1	E 7	22	35
2	N 4	28	9
3	N 4	5	9
4	J34	4	29
5	N 4	3	9
6	L14	24	11
7	K14	24	13
8	M25	16	17
9	E 7	25	35
10			
11	N42	7	31
12	M38	7	29
13	O15	19	11
14	H34	4	35
15	Q 8	25	15
16	L14	4	13
17	N15	10	9
18	N 4	24	9
19	J 7	25	19
20	L25	16	21
21	N15	19	9
22	N10	25	3
23	O15	10	9
24	N 4	18	9
25	N10	22	3
26			
27			
28	N 4	2	9

JACK PIN LG

63017300 Rev. D

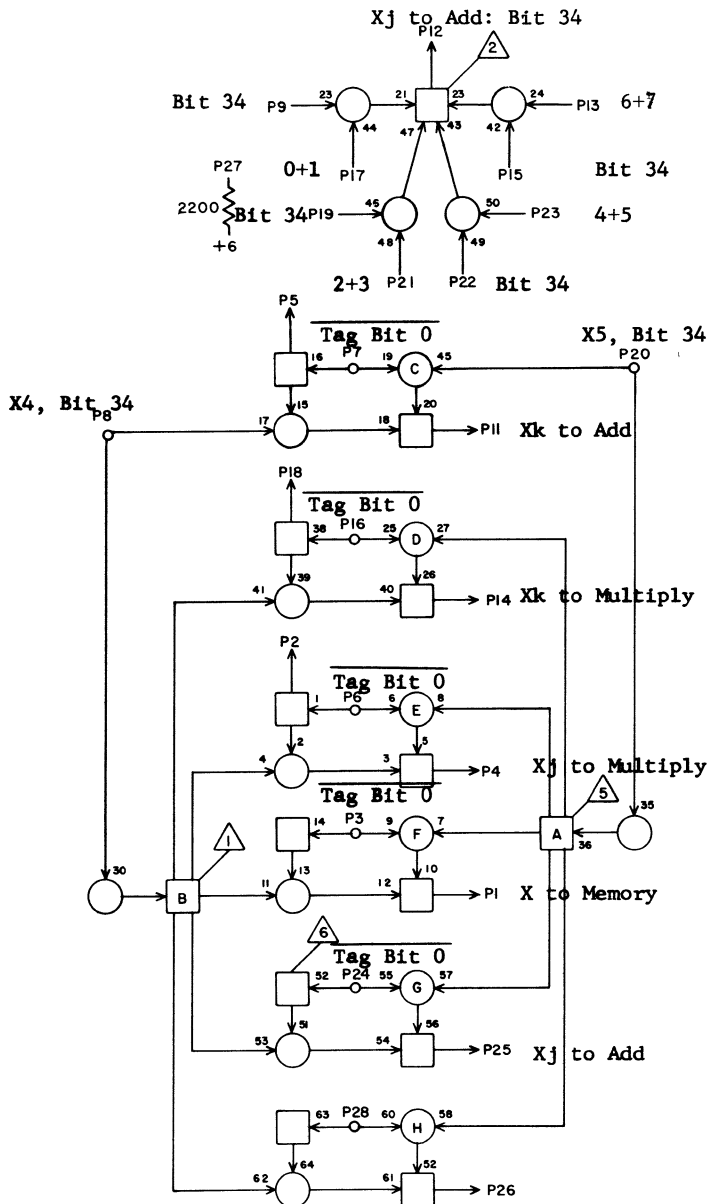
X4, Bit 33



7N10



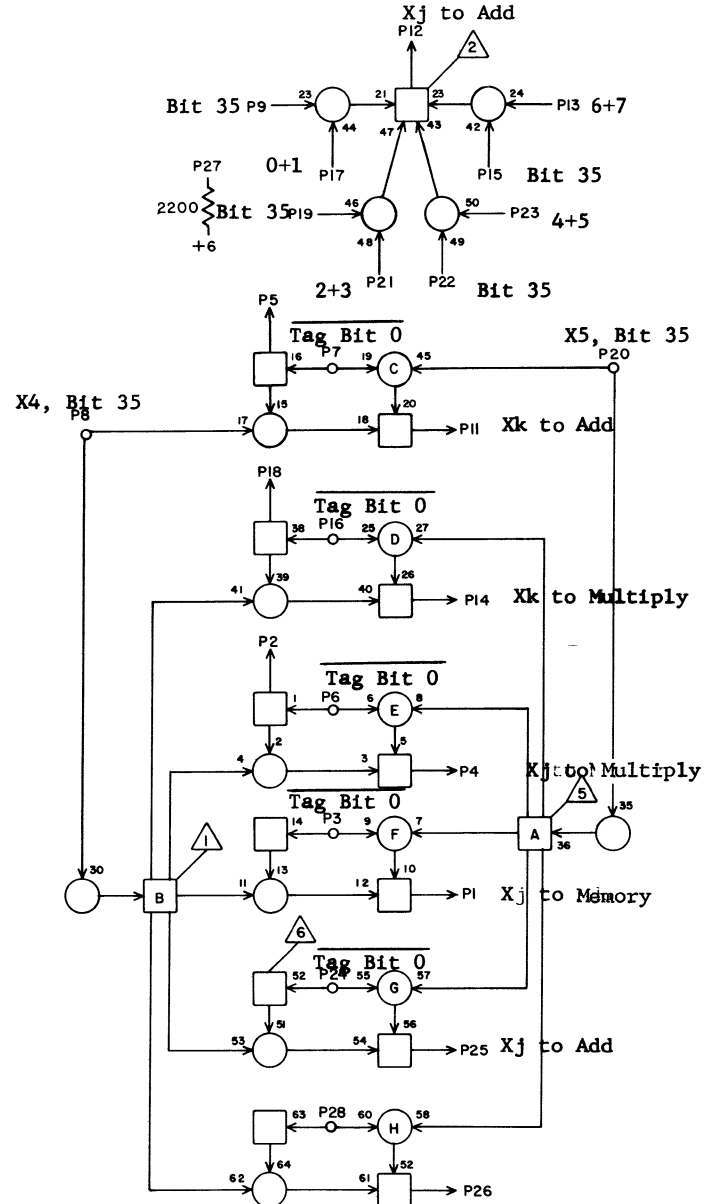
Exit Control: X Registers



RF	7	N	11
1	E	8	22 35
2	N	5	28 9
3	N	5	5 9
4	J	34	20 27
5	N	5	3 9
6	L	14	22 11
7	K	14	22 13
8	M	25	26 17
9	E	8	25 35
10			
11	N	42	19 29
12	M	38	19 27
13	O	15	17 9
14	H	34	20 33
15	Q	9	25 15
16	L	14	9 13
17	N	15	12 5
18	N	5	24 9
19	J	8	25 19
20	L	25	26 17
21	N	15	17 7
22	N	11	25 3
23	O	15	12 9
24	N	5	18 9
25	N	11	22 3
26			
27			
28	N	5	2 9

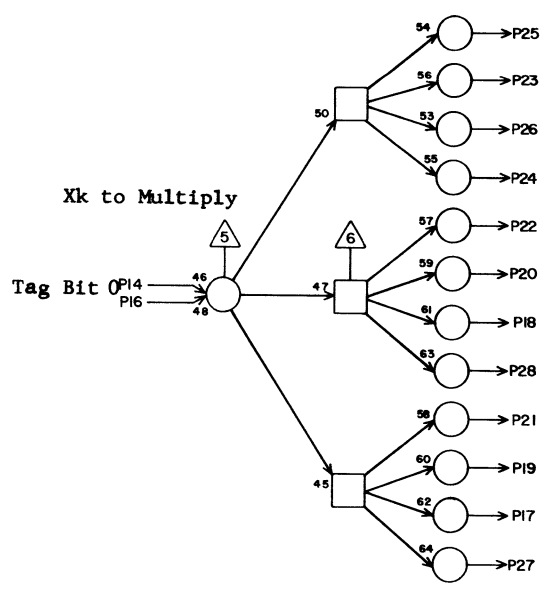
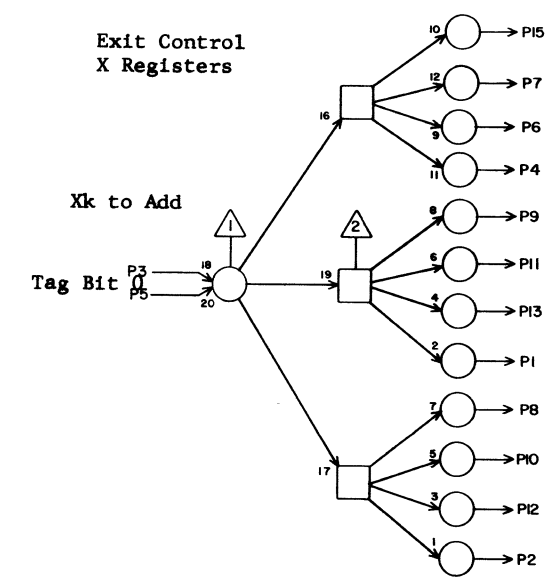
JACK PIN LG

Exit Control: X Registers



RF	7	N	12
1	E	9	22 35
2	N	6	28 9
3	N	6	5 7
4	J	34	16 27
5	N	6	3 9
6	L	14	20 11
7	K	14	20 13
8	M	25	27 17
9	E	9	25 35
10			
11	N	42	28 29
12	M	38	28 27
13	O	15	27 9
14	H	34	16 33
15	Q	10	25 15
16	L	14	11 11
17	N	15	2 5
18	N	6	24 9
19	J	9	25 19
20	L	25	27 17
21	N	15	27 5
22	N	12	25 3
23	O	15	2 7
24	N	6	18 9
25	N	12	22 3
26			
27			
28	N	6	2 9

JACK PIN LG



7N14

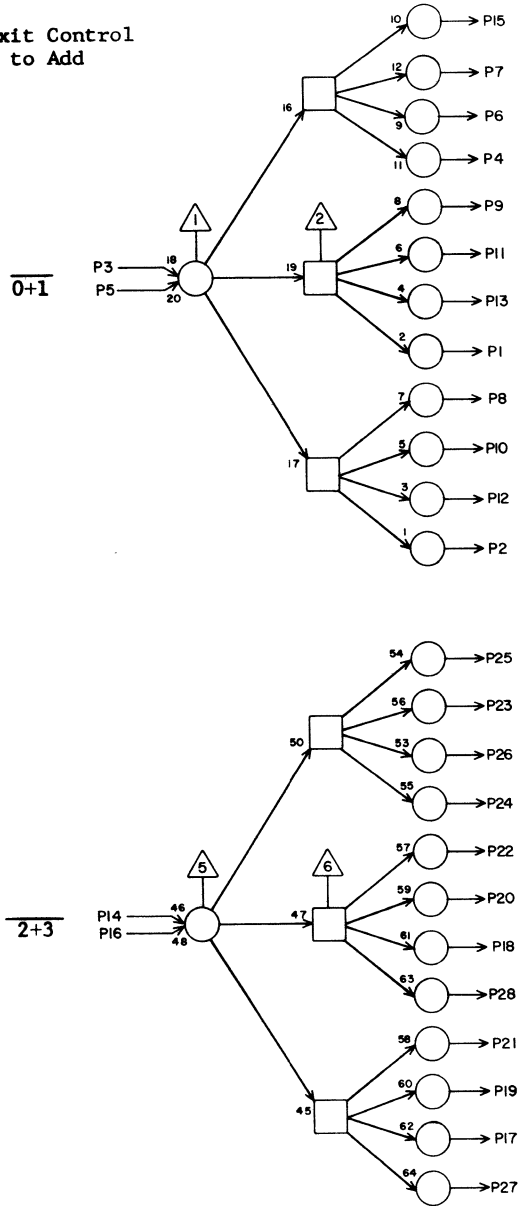
TC 7N 14

1	Q 6	7	17
2	Q10	7	15
3	K 7	11	17
4	P10	7	11
5	gnd		2
6	P 9	7	11
7	P 8	7	13
8	Q 7	7	15
9	P11	7	11
10	Q 8	7	15
11	P12	7	11
12	Q 9	7	15
13	P13	7	11
14	K 7	4	19
15	P 7	7	13
16	gnd		2
17	Q 9	16	15
18	P13	16	11
19	Q 8	16	15
20	P12	16	11
21	Q 7	16	15
22	P11	16	11
23	P 8	16	13
24	P10	16	11
25	P 7	16	13
26	P 9	16	11
27	Q10	16	15
28	Q 6	16	15

JACK      PIN      LG

63017300 Rev. E

Exit Control  
Xj to Add



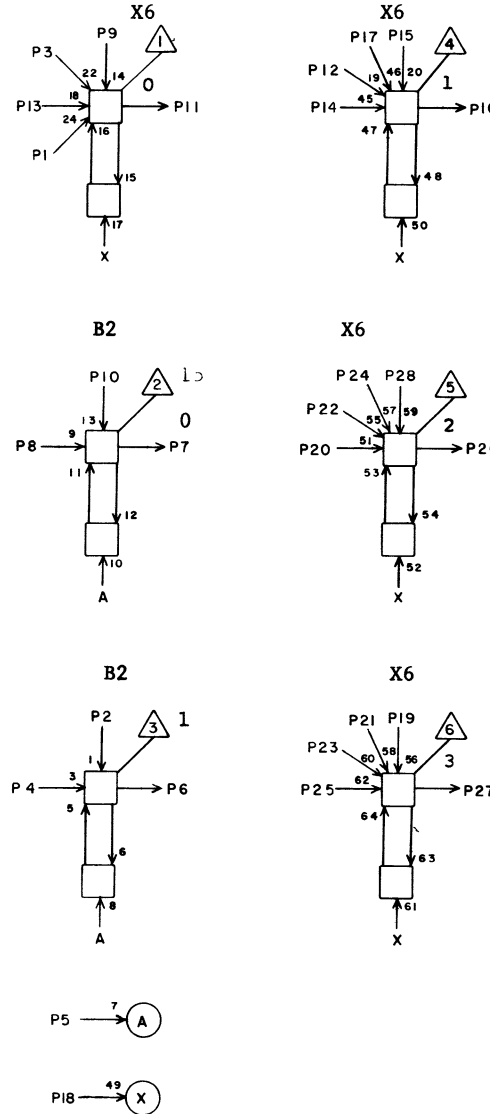
TC 7N 15

1	N 8	17	11
2	N12	17	5
3	K 9	20	15
4	N 4	17	13
5	gnd		2
6	N 3	17	13
7	N 2	17	15
8	N 9	17	9
9	N 5	17	13
10	N10	17	9
11	N 6	17	11
12	N11	17	5
13	N 7	17	11
14	K 9	15	17
15	N 1	17	17
16	gnd		2
17	N11	21	7
18	N 7	21	11
19	N10	21	9
20	N 6	21	11
21	N 9	21	9
22	N 5	21	13
23	N 2	21	15
24	N 4	21	13
25	N 1	21	15
26	N 3	21	13
27	N12	21	5
28	N 8	21	11

JACK PIN LG

63017300 Rev. D

Operating Registers



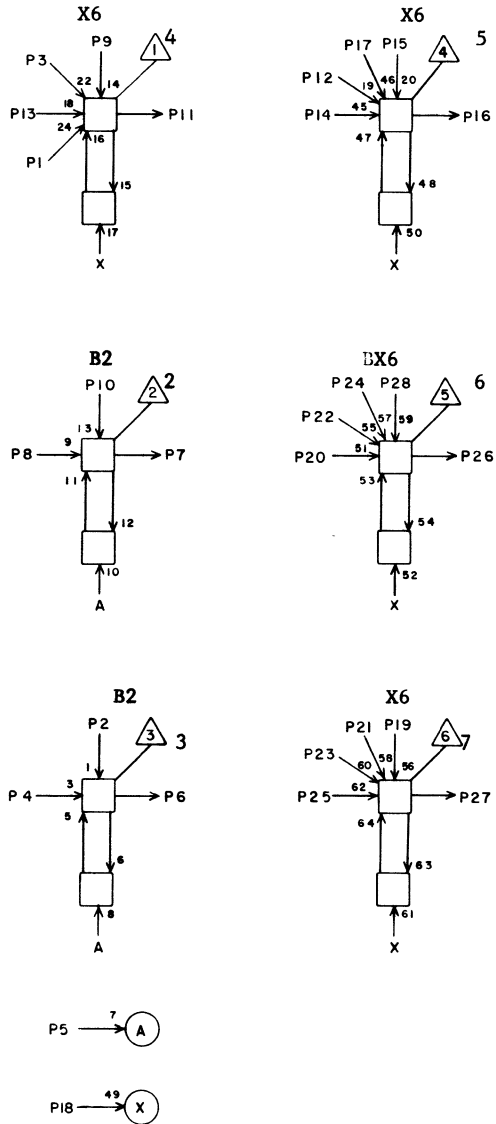
RD 7N 16

1	gnd		2
2	O38	19	23
3	H38	14	33
4	M29	19	15
5	M21	2	9
6	Q14	20	15
7	Q13	20	15
8	M29	5	17
9	H13	14	25
10	O38	7	23
11	O 1	8	17
12	D35	22	41
13	D35	14	43
14	gnd		2
15	H13	22	25
16	O 2	8	17
17	H38	22	33
18	O21	2	9
19	H13	19	25
20	gnd		2
21	H38	19	33
22	D35	7	43
23	D35	19	43
24	H38	7	33
25	gnd		2
26	O 3	8	15
27	O 4	8	15
28	H13	5	27

JACK PIN LG

63017300 Rev. M

Operating Registers

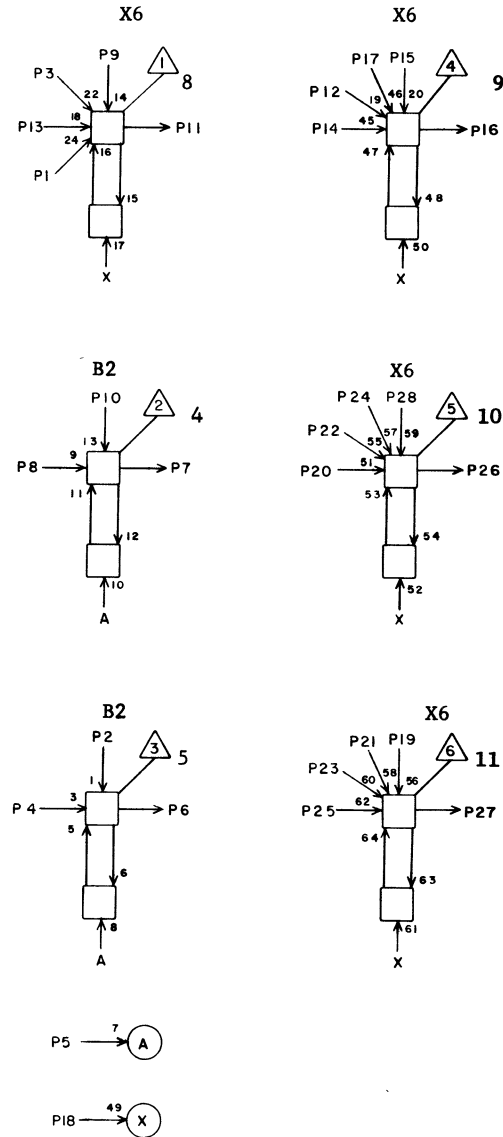


RD 7N 17

1	gnd		2
2	O38	22	25
3	H40	14	33
4	M29	22	15
5	M21	4	9
6	Q16	20	15
7	Q15	20	15
8	M29	14	17
9	H15	14	25
10	O38	14	23
11	O 5	8	15
12	D37	22	43
13	D37	14	43
14	gnd		2
15	H15	22	25
16	O 6	8	15
17	H40	22	33
18	O21	4	7
19	H15	19	25
20	gnd		2
21	H40	19	33
22	D37	7	43
23	D37	19	43
24	H40	7	33
25	gnd		2
26	O 7	8	15
27	O 8	8	13
28	H15	5	27

JACK PIN LG

Operating Registers

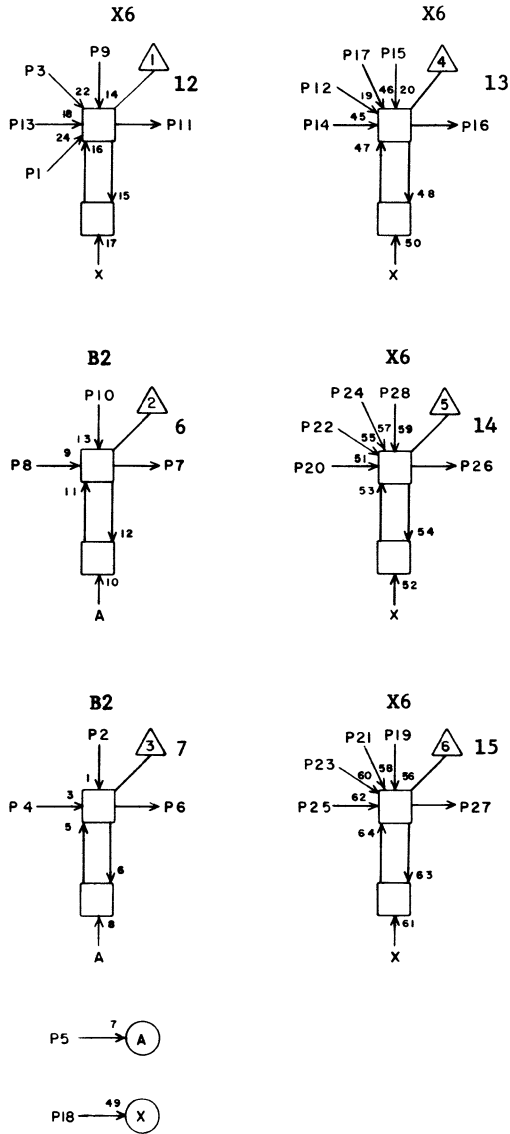


RD 7N 18

1	gnd		2
2	O40	19	23
3	H42	14	33
4	M31	19	15
5	M21	6	7
6	Q18	20	15
7	Q17	20	15
8	M31	5	15
9	H18	14	25
10	O40	7	23
11	O 9	8	13
12	D39	22	43
13	D39	14	43
14	gnd		2
15	H18	22	25
16	O10	8	11
17	H42	22	33
18	O21	6	7
19	H18	19	25
20	gnd		2
21	H42	19	33
22	D39	7	43
23	D39	19	43
24	H42	7	33
25	gnd		2
26	O11	8	11
27	O12	8	11
28	H18	5	27

JACK PIN LG

### Operating Registers



RD

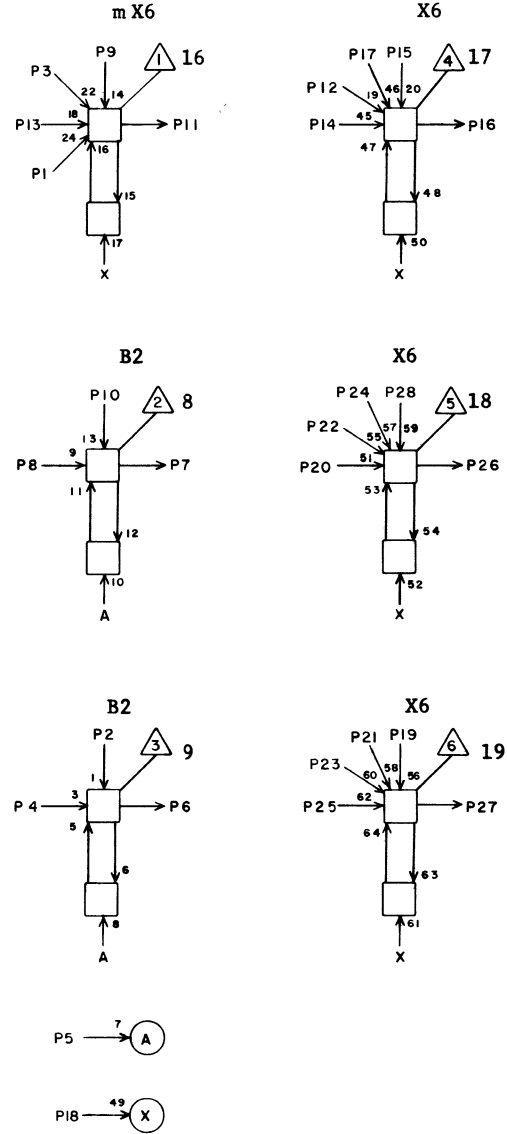
7N 19

1	gnd		2
2	O40	22	23
3	J38	14	25
4	M31	22	15
5	M21	9	7
6	Q20	20	15
7	Q19	20	17
8	M31	14	15
9	H22	14	25
10	O40	14	23
11	O13	8	9
12	D41	22	43
13	D41	14	43
14	gnd		2
15	H22	22	25
16	P 1	20	21
17	J38	22	25
18	O21	9	7
19	H22	19	25
20	gnd		2
21	J38	19	25
22	D41	7	45
23	D41	19	45
24	J38	7	25
25	gnd		2
26	P 2	20	21
27	P 3	20	21
28	H22	5	27

JACK PIN LG

63017300 Rev. D

### Operating Registers



RD

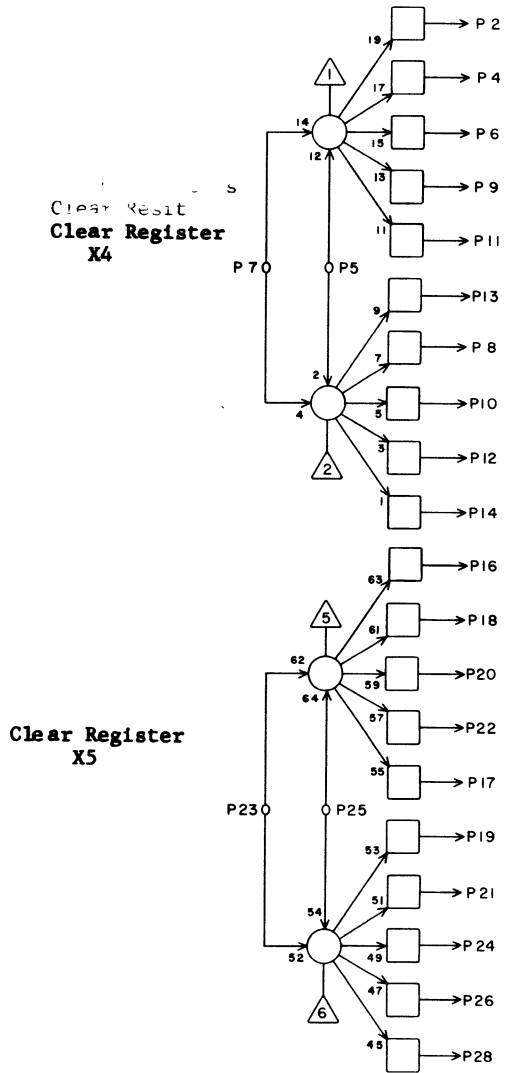
7N 20

1	gnd		2
2	O42	19	25
3	J40	14	25
4	M33	19	15
5	M21	11	5
6	R13	20	21
7	Q21	20	15
8	M33	5	15
9	J11	14	21
10	O42	7	25
11	P 4	20	21
12	E34	22	39
13	E34	14	39
14	gnd		2
15	J11	22	21
16	P 5	20	19
17	J40	22	25
18	O21	11	5
19	J11	19	21
20	gnd		2
21	J40	19	25
22	E34	7	39
23	E34	19	33
24	J40	7	25
25	gnd		2
26	P 6	20	17
27	P 7	20	17
28	J11	5	21

JACK PIN LG

63017300 Rev. D

Entry Control

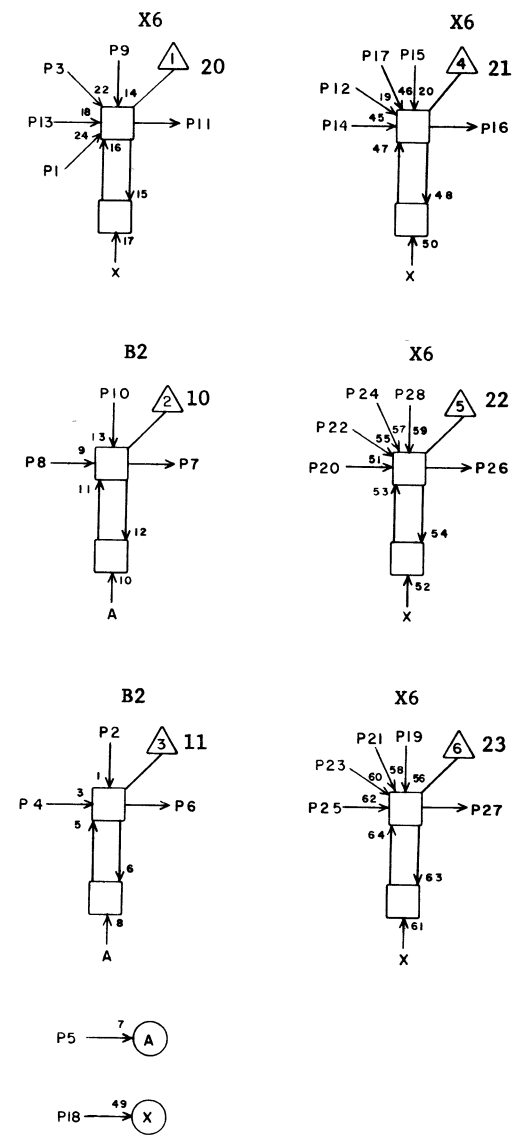


HC 7N 21

1			
2	L16	18	11
3			
4	L17	18	11
5	J20	24	19
6	L18	18	11
7	I17	11	23
8	L23	18	11
9	L19	18	11
10	L24	18	11
11	L20	18	11
12	L25	18	11
13	L22	18	11
14			
15			
16	M16	18	9
17	M20	18	7
18	M17	18	9
19	M22	18	7
20	M18	18	9
21	M23	18	9
22	M19	18	9
23	I17	13	23
24	M24	18	9
25	J21	24	19
26	M25	18	9
27			
28			

JACK PIN LG

Operating Registers

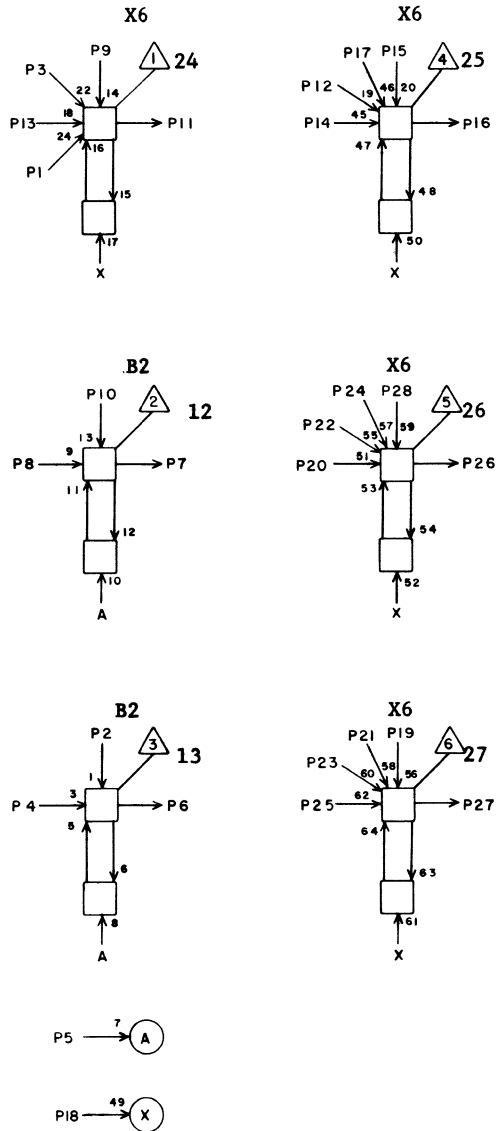


RD 7N 22

1	gnd		2
2	O42	22	23
3	J42	14	25
4	M33	22	15
5	M21	13	7
6	R15	20	21
7	R14	20	21
8	M33	14	15
9	J13	14	21
10	O42	14	23
11	P 8	20	19
12	E36	22	39
13	E36	14	39
14	gnd		2
15	J13	22	21
16	P 9	20	17
17	J42	22	25
18	O21	13	7
19	J13	19	21
20	gnd		2
21	J42	19	25
22	E36	7	39
23	E36	19	39
24	J42	7	25
25	gnd		2
26	P10	20	17
27	P11	20	17
28	J13	5	21

JACK PIN LG

Operating Registers



RD

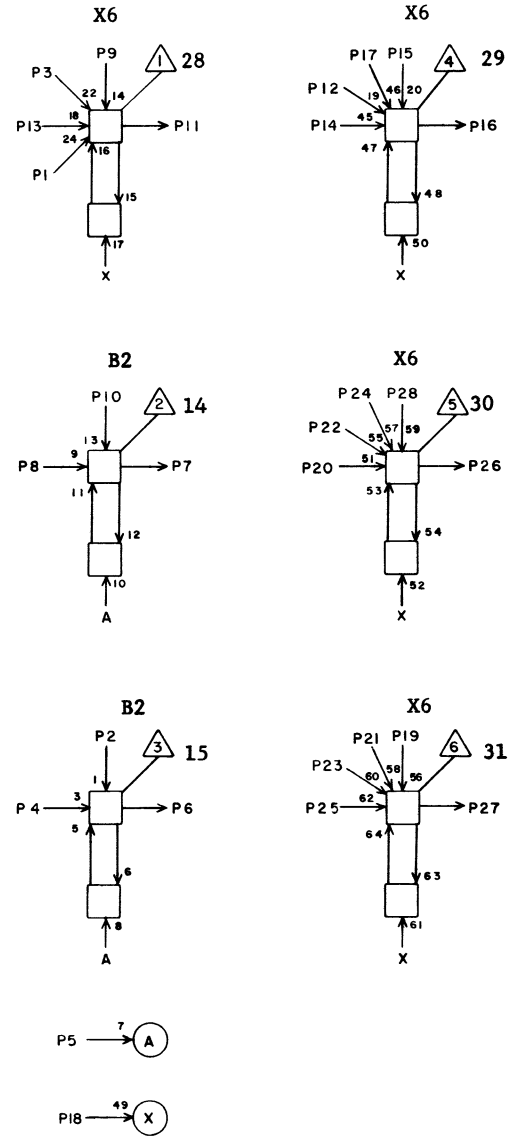
7N 23

1	gnd		2
2	P39	19	21
3	K37	7	21
4	N30	19	11
5	M21	8	7
6	R17	20	21
7	R16	20	21
8	N30	5	11
9	J15	14	21
10	P39	7	21
11	P12	20	17
12	E38	22	39
13	E38	14	39
14	gnd		2
15	J15	22	21
16	P13	20	15
17	K37	19	21
18	O21	8	7
19	J15	19	21
20	gnd		2
21	K37	22	21
22	E38	7	39
23	E38	19	39
24	K37	14	21
25	gnd		2
26	Q 1	8	25
27	Q 2	8	25
28	J15	5	21

JACK PIN LG

63017300 Rev. D

Operating Registers



RD

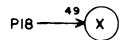
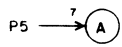
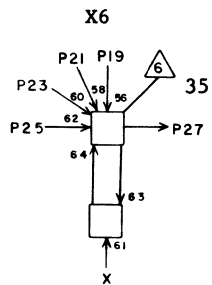
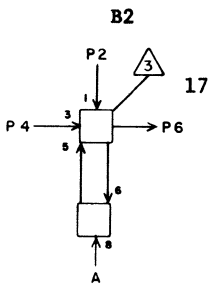
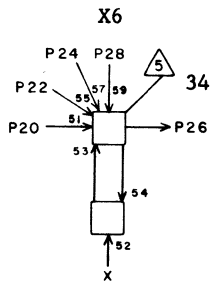
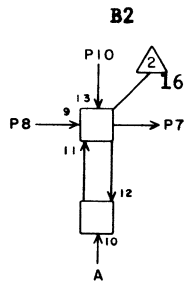
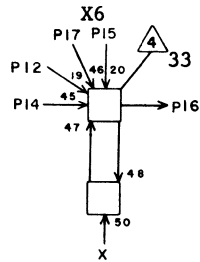
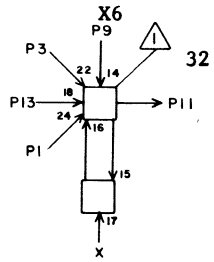
7N 24

1	gnd		2
2	P39	22	21
3	K39	7	21
4	N30	22	9
5	M21	10	9
6	R19	20	21
7	R18	20	21
8	N30	14	9
9	J17	14	19
10	P39	14	21
11	Q 3	8	25
12	E40	22	39
13	E40	14	39
14	gnd		2
15	J17	22	19
16	Q 4	8	23
17	K39	19	21
18	O21	10	7
19	J17	19	19
20	gnd		2
21	K39	22	21
22	E40	7	39
23	E40	19	39
24	K39	14	21
25	gnd		2
26	Q 5	8	23
27	Q 6	20	23
28	J17	5	21

JACK PIN LG

63017300 Rev. D

### Operating Registers

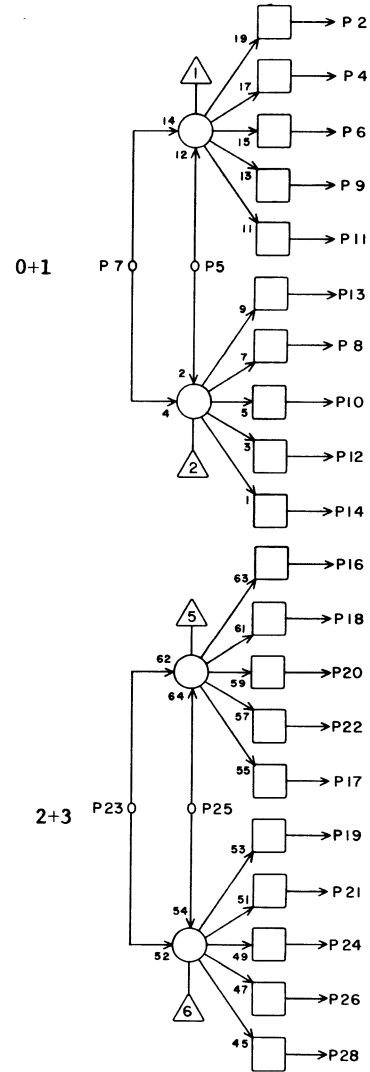


RD 7N 25

1	gnd		2
2	P41	19	21
3	K41	7	21
4	N32	19	9
5	M21	12	9
6	R21	20	21
7	R20	20	21
8	N32	5	9
9	J19	14	19
10	P41	7	21
11	Q 7	20	23
12	E42	22	35
13	E42	14	39
14	gnd		2
15	J19	22	19
16	Q 8	20	23
17	K41	19	21
18	O21	12	9
19	J19	19	19
20	gnd		2
21	K41	22	21
22	E42	7	39
23	E42	19	39
24	K41	14	21
25	gnd		2
26	Q 9	20	23
27	Q10	20	21
28	J19	5	19

JACK PIN LG

### Exit Control A & B to Memory



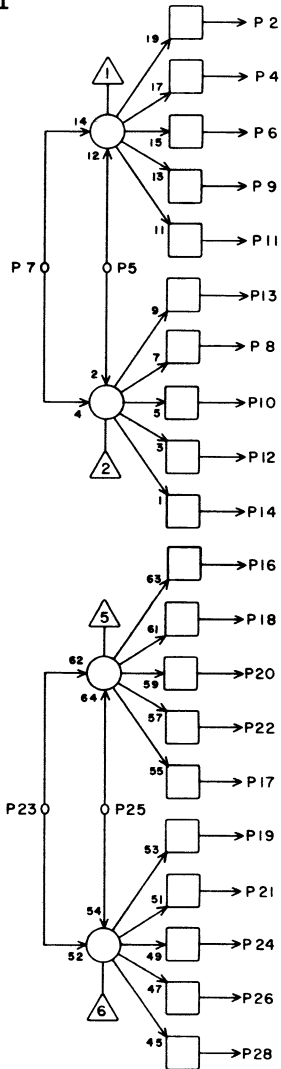
HC 7N 26

1			
2	O27	9	9
3			
4	O28	9	9
5	K15	10	19
6	O29	9	9
7	gnd		2
8	O33	9	11
9	O30	9	9
10	O34	9	13
11	O31	9	11
12	P24	9	11
13	O32	9	11
14	P25	9	11
15			
16	O27	13	9
17	O31	13	11
18	O28	13	9
19	O32	13	11
20	O29	13	9
21	O33	13	11
22	O30	13	9
23	gnd		2
24	O34	13	13
25	K15	9	19
26	P24	13	11
27			
28	P25	13	11

JACK PIN LG



Exit Control



Bj to Add  
4+5

Bj to Add  
6+7

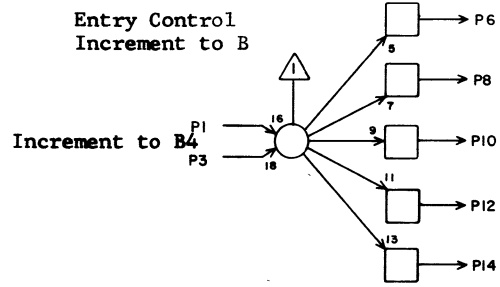
HC 7N 27

1			
2	Q24	10	17
3			
4	Q25	10	17
5	M26	16	9
6	Q26	10	17
7	gnd		2
8	Q30	10	15
9	Q27	10	17
10	Q31	10	17
11	Q28	10	17
12	Q32	10	17
13	Q29	10	15
14	R24	10	21
15			
16	Q24	11	17
17	Q28	11	17
18	Q25	11	17
19	Q29	11	15
20	Q26	11	17
21	Q30	11	15
22	Q27	11	17
23	gnd		2
24	Q31	11	17
25	M26	15	9
26	Q32	11	17
27			
28	R24	11	21

JACK PIN LG

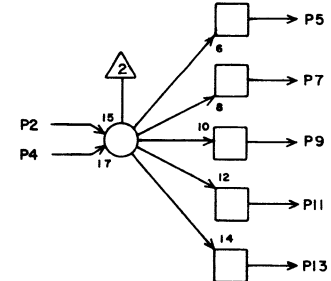
63017300 Rev. D

Entry Control  
Increment to B

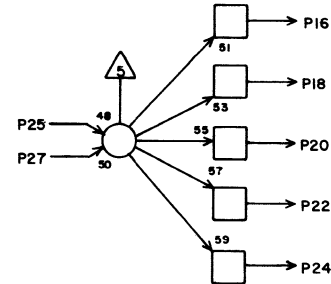


Increment to B4

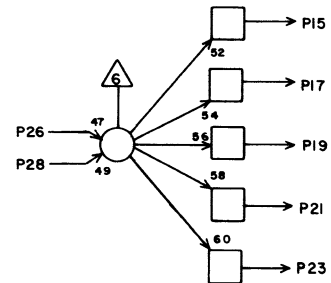
Increment to B5



Increment to B6



Increment to B7



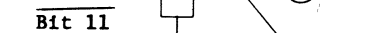
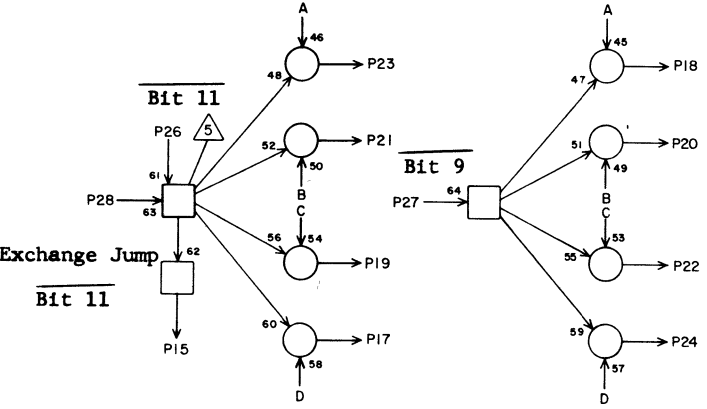
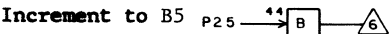
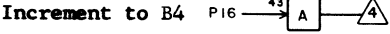
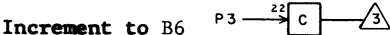
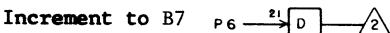
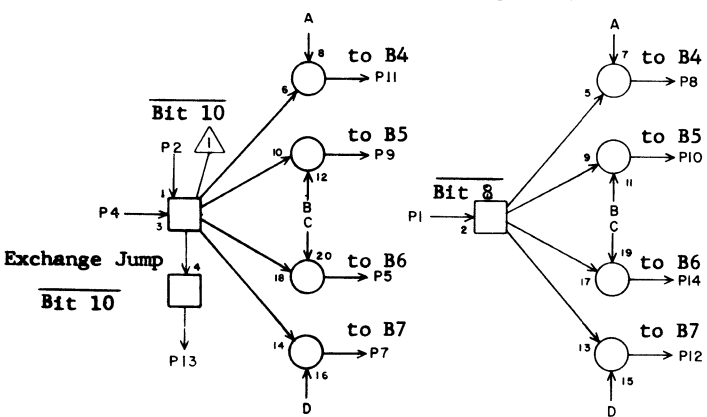
T D 7N 28

1	F24	28	33
2	F25	28	31
3	gnd		2
4	gnd		2
5	M30	25	9
6	M30	16	9
7	M32	25	9
8	M32	16	9
9	N29	25	5
10	N29	16	5
11	N31	25	7
12	N31	16	7
13	N33	25	9
14	N33	16	9
15	M30	6	9
16	M30	3	9
17	M32	6	9
18	M32	3	9
19	N29	6	3
20	N29	3	5
21	N31	6	5
22	N31	3	7
23	N33	6	9
24	N33	3	9
25	J24	28	19
26	J25	28	19
27	gnd		2
28	gnd		2

JACK PIN LG

63017300 Rev. D

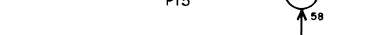
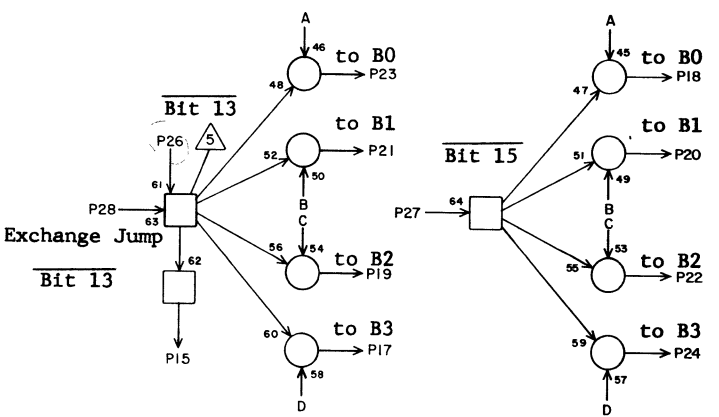
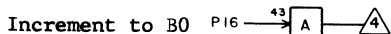
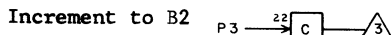
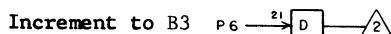
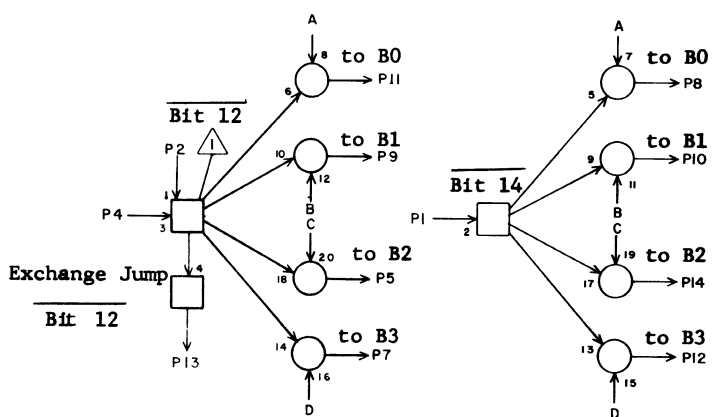
Entry Control  
Increment to B & Exchange Jump



RC 7N 29

1	M33	13	9
2	F42	14	33
3	N28	20	5
4	A42	7	51
5	R 8	20	29
6	N28	19	3
7	R11	20	33
8	R 2	4	33
9	R 5	20	29
10	R 5	4	29
11	R 2	20	31
12	R11	4	25
13	M33	1	9
14	R 8	4	29
15	M33	27	9
16	N28	10	5
17	R11	25	31
18	R 2	14	31
19	R 8	25	27
20	R 5	14	29
21	R 5	25	29
22	R 8	14	27
23	R 2	25	33
24	R11	14	27
25	N28	9	5
26	F42	22	33
27	M33	15	9
28	A42	19	51
	JACK	PIN	LG

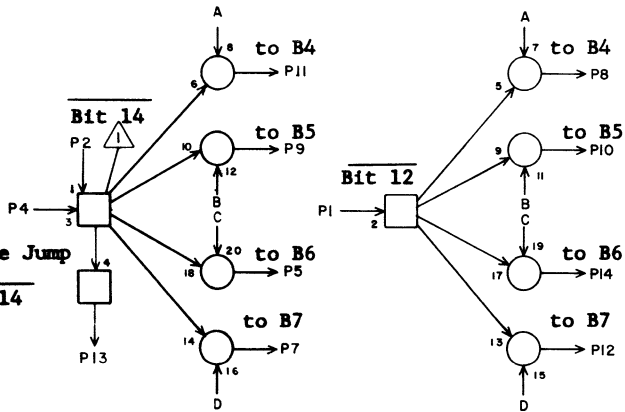
Entry Control  
Increment to B & Exchange Jump



RC 7N 30

1	N31	13	3
2	G39	7	29
3	M28	22	7
4	B38	14	47
5	N23	8	11
6	M28	21	7
7	O23	8	11
8	L24	8	13
9	M23	8	13
10	M24	8	11
11	L23	8	13
12	O24	8	9
13	N31	1	5
14	N24	8	9
15	N31	27	5
16	M28	12	9
17	O23	4	11
18	L24	4	13
19	N23	4	11
20	M24	4	11
21	M23	4	13
22	N24	4	9
23	L23	4	15
24	O24	4	9
25	M28	11	9
26	G39	19	31
27	N31	15	3
28	B38	22	47
	JACK	PIN	LG

Entry Control  
Increment to B & Exchange Jump

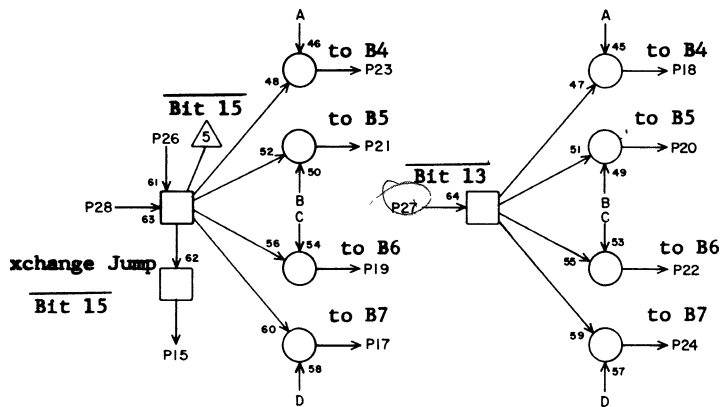


Increment to B7 P6 → 21 → D → 2

Increment to B6 P3 → 22 → C → 3

Increment to B4 P16 → 43 → A → 4

Increment to B5 P25 → 44 → B → 6

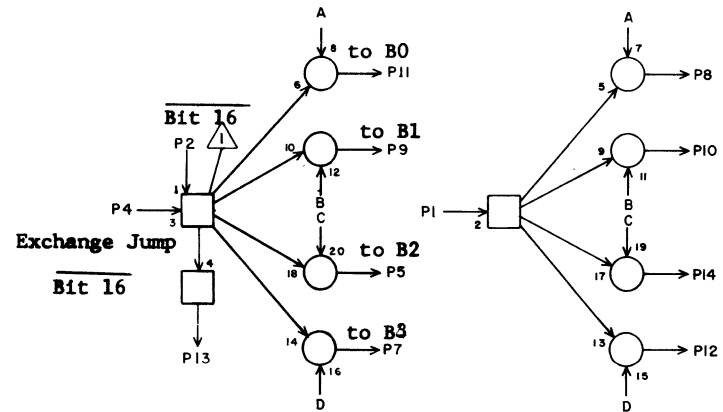


RC 7N 31

1	N30	13	5
2	G39	14	29
3	N28	22	7
4	B38	7	47
5	R 9	4	27
6	N28	21	5
7	R12	4	25
8	R 3	1	33
9	R 6	4	29
10	R 6	1	29
11	R 3	4	33
12	R12	1	25
13	N30	1	3
14	R 9	1	27
15	N30	27	3
16	N28	12	7
17	R12	14	27
18	R 3	8	33
19	R 9	14	27
20	R 6	8	33
21	R 6	14	29
22	R 9	8	27
23	R 3	14	33
24	R12	8	27
25	N28	11	7
26	G39	22	29
27	N30	15	5
28	B38	19	47
	JACK	PIN	LG

63017300 Rev. D

Entry Control  
Increment to B & Exchange Jump

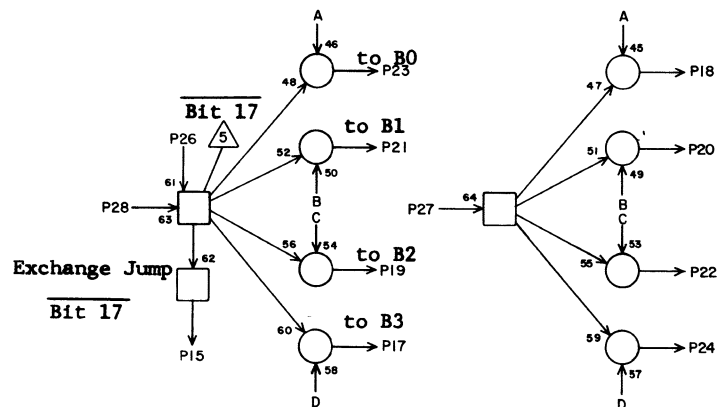


Increment to B3 P6 → 21 → D → 2

Increment to B2 P3 → 22 → C → 3

Increment to B4 P16 → 43 → A → 4

Increment to B0 P25 → 44 → B → 6

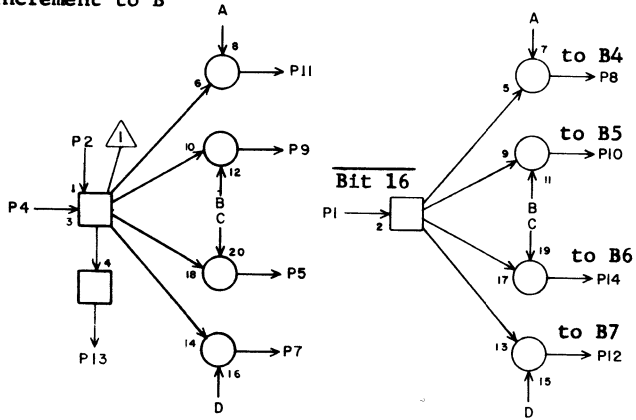


RC 7N 32

1	N33	13	3
2	G41	7	29
3	M28	24	9
4	B40	14	45
5	N25	8	9
6	M28	23	9
7	O25	8	11
8			
9	M25	8	11
10			
11	L25	8	13
12			
13	N33	1	3
14			
15	N33	27	3
16	M28	14	9
17	O25	4	13
18			
19	N25	4	9
20			
21	M25	4	11
22			
23	L25	4	13
24			
25	M28	13	9
26	G41	19	31
27	N33	15	3
28	B40	22	45
	JACK	PIN	LG

63017300 Rev. BD

Entry Control  
Increment to B

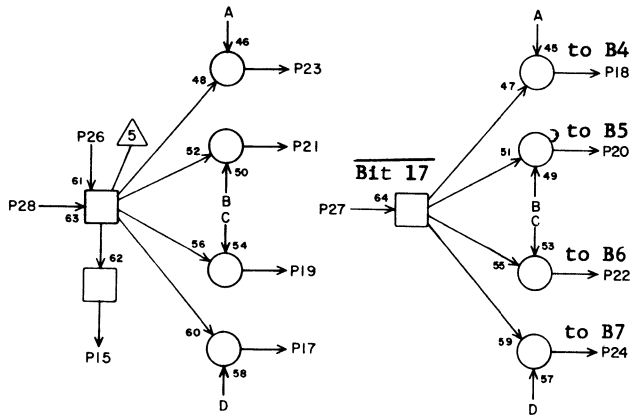


Increment to B7 P6 →

Increment to B6 P3 →

Increment to B4 P16 →

Increment to B5 P25 →

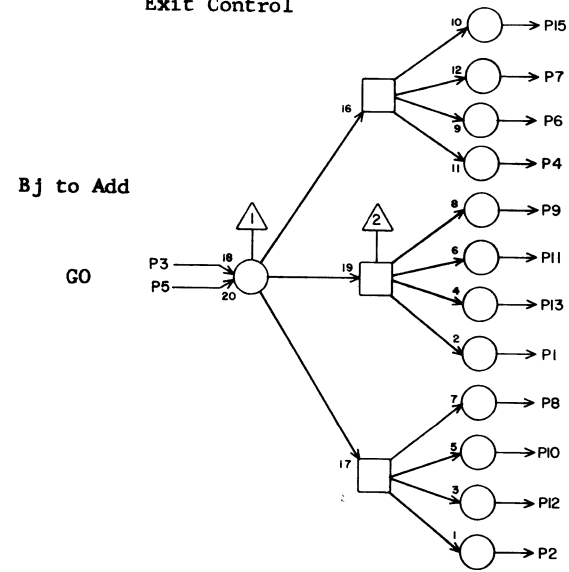


RC 7N 33

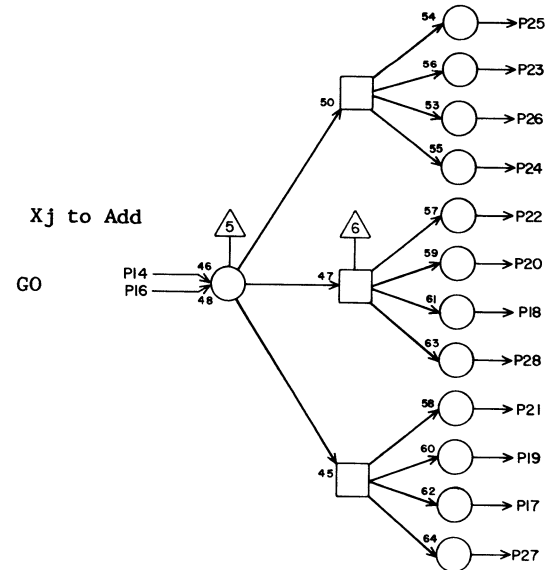
1	N32	13	3
2			
3	N28	24	9
4			
5			
6	N28	23	9
7			
8	R 3	20	33
9			
10	R 6	20	33
11			
12	R12	20	29
13	N32	1	3
14	R 9	20	29
15	N32	27	3
16	N28	14	9
17			
18	R 3	25	33
19			
20	R 6	25	33
21			
22	R 9	25	29
23			
24	R12	25	29
25	N28	13	9
26			
27	N32	15	3
28			

JACK PIN LG

Exit Control



Xj to Add



TC 7N 34

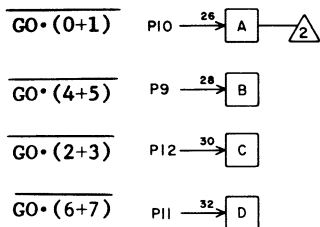
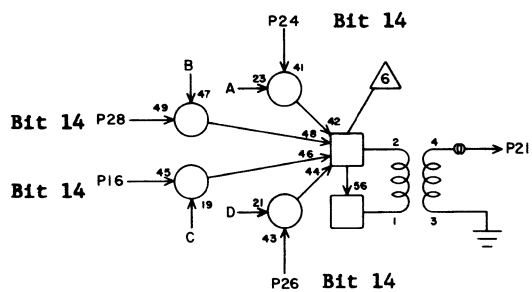
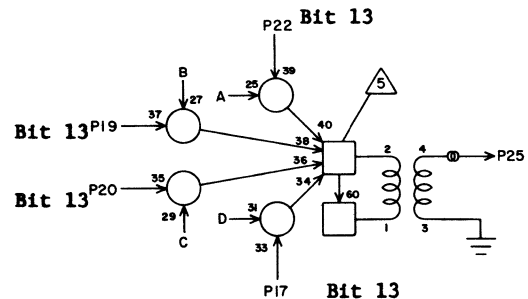
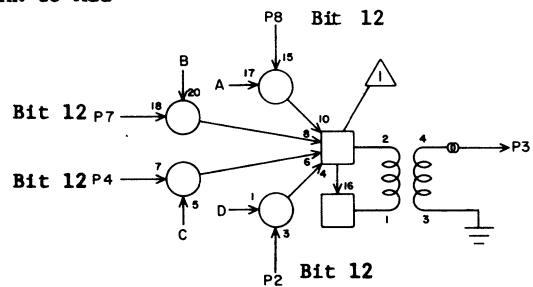
1			
2			
3	M34	1	180
4	L38	10	13
5	I15	6	29
6	L37	10	13
7	L36	10	13
8			
9	L39	10	15
10			
11	L40	10	15
12			
13			
14	J28	1	180
15	L35	10	13
16	I15	9	31
17	M37	9	9
18	L41	9	15
19	M36	9	9
20	L40	9	15
21	M35	9	9
22	L39	9	15
23	L36	9	13
24	L38	9	13
25	L35	9	13
26	L37	9	13
27	M38	9	11
28	L42	9	15

JACK PIN LG

Exit Control: Trunk  
Xk to Add

RG

7 N 35



1			
2	O13	1	25
3	W24	902	
4	H 4	11	37
5			
6			
7	M 1	11	33
8	C 4	11	49
9	O35	22	7
10	O35	13	7
11	P35	22	11
12	P35	9	11
13			
14			
15			
16	H 6	11	37
17	P 1	11	35
18			
19	M 2	11	33
20	H 5	11	37
21	W24	904	
22	C 5	11	51
23			
24	C 6	11	51
25	W24	903	
26	P 2	11	33
27			
28	M 3	11	33

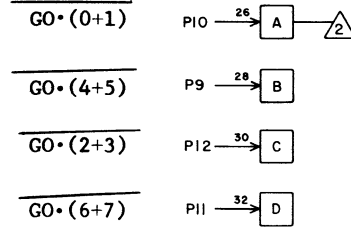
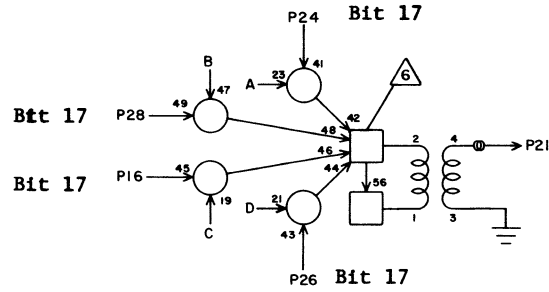
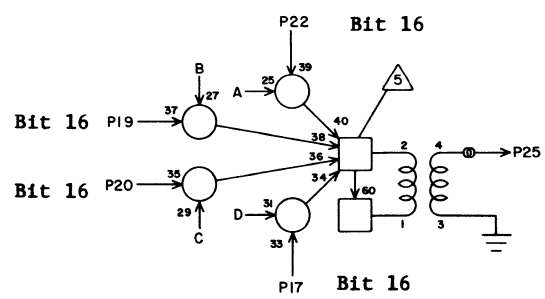
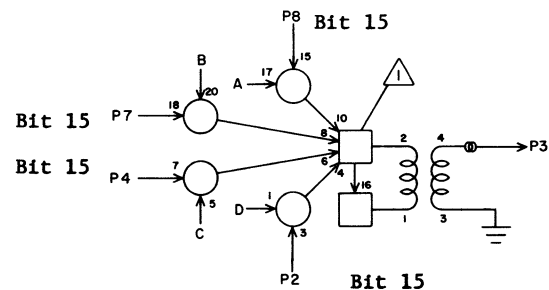
JACK PIN LG

63017300 Rev. D

Exit Control: Trunk  
Xk to Add

RG

7 N 36

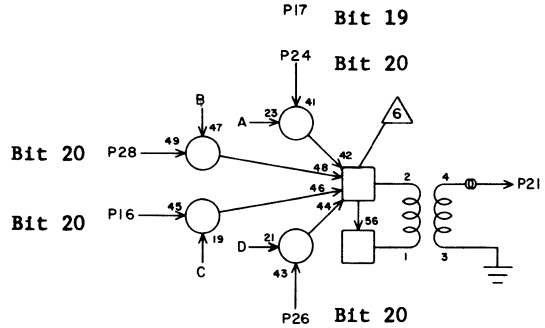
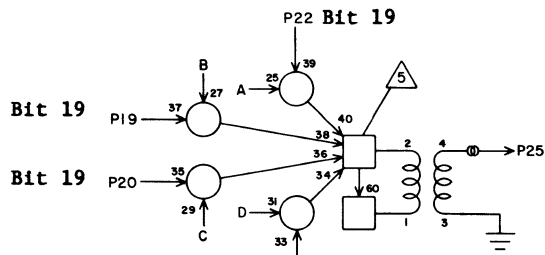
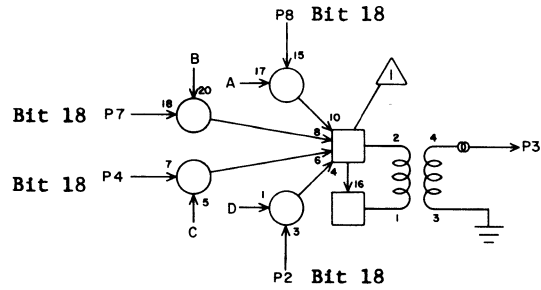


1			
2	P 3	11	33
3	W24	905	
4	H 7	11	37
5			
6			
7	M 4	11	33
8	C 7	11	49
9	O35	20	9
10	O35	11	9
11	P35	20	11
12	P35	11	11
13			
14			
15			
16	H 9	11	37
17	P 4	11	33
18			
19	M 5	11	29
20	H 8	11	37
21	W24	907	
22	C 8	11	49
23			
24	C 9	11	49
25	W24	906	
26	P 5	11	33
27			
28	M 6	11	29

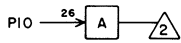
JACK PIN LG

63017300 Rev. D

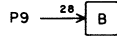
Exit Control: Trunk  
X2Xk to Add



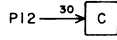
GO•(0+1)



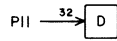
GO•(0+5)



GO•(2+3)

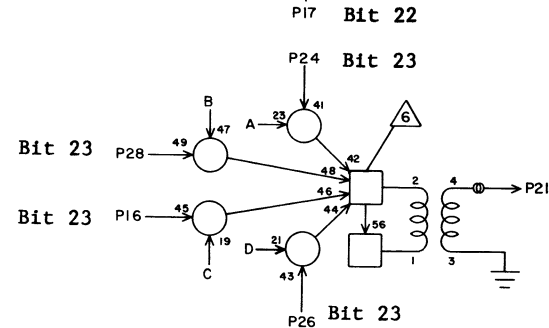
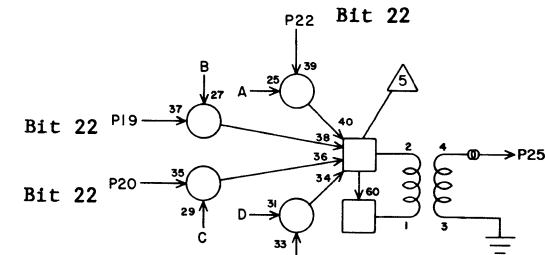
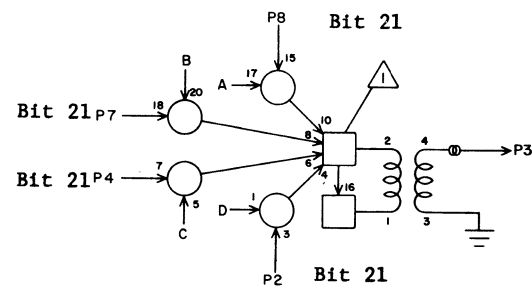


GO•(6+7)

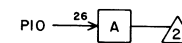


RG		7N 37	
JACK	PIN	LG	
1			
2	P 6	11	33
3	W25	90	
4	I 1	1	39
5			
6			
7	M 7	11	29
8	D 1	1	51
9	O35	18	9
10	O35	9	9
11	P35	18	13
12	P35	13	13
13			
14			
15			
16	I 3	1	37
17	P 7	11	31
18			
19	M 8	11	29
20	I 2	1	39
21	W25	92	
22	D 2	1	49
23			
24	D 3	1	49
25	W25	91	
26	P 8	11	29
27			
28	M 9	11	29

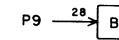
Exit Control: Trunk  
Xk to Add



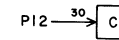
GO•(0+1)



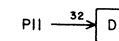
GO•(4+5)



GO•(2+3)



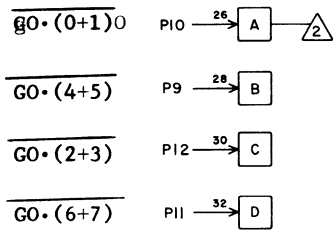
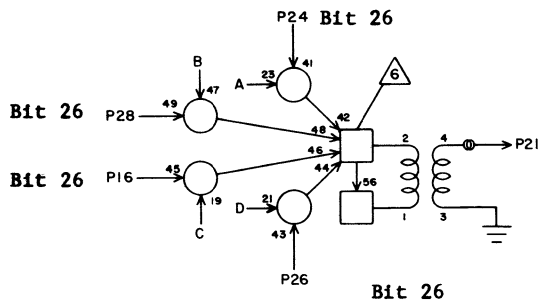
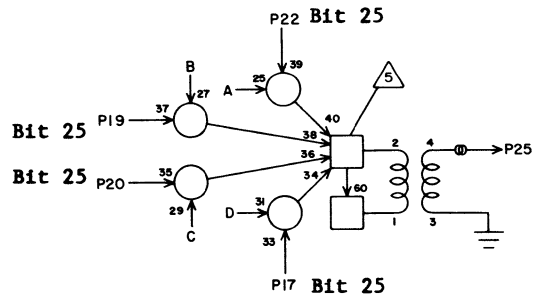
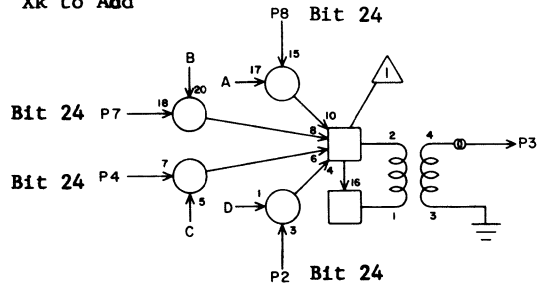
GO•(6+7)



RG

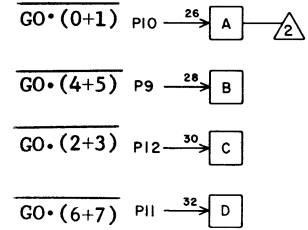
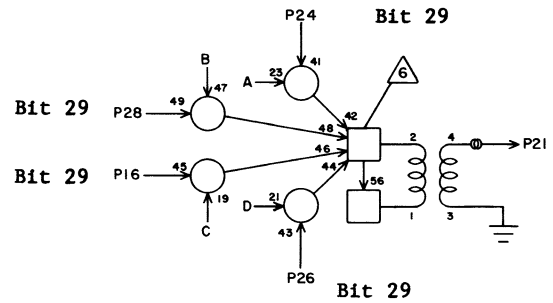
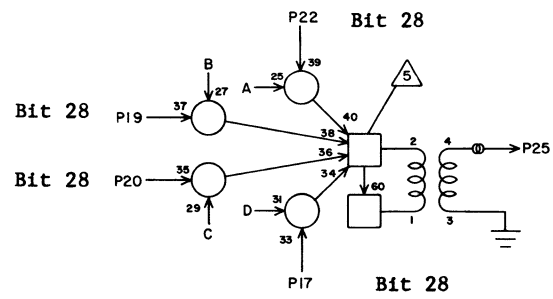
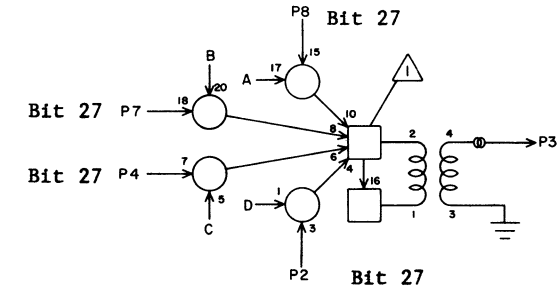
RG		7N 38	
JACK	PIN	LG	
1			
2	P 9	11	31
3	W25	93	
4	I 4	1	37
5			
6			
7	M10	11	29
8	D 4	1	51
9	O35	28	9
10	O35	1	7
11	P35	28	13
12	P35	1	11
13			
14			
15			
16	I 6	1	37
17	P10	11	29
18			
19	M11	11	27
20	I 5	1	37
21	W25	95	
22	D 5	1	51
23			
24	D 6	1	51
25	W25	94	
26	P11	11	29
27			
28	M12	11	27

Exit Control: Trunk  
Xk to Add



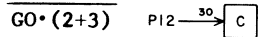
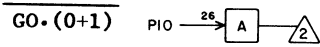
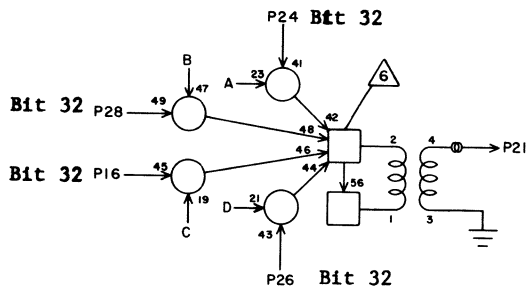
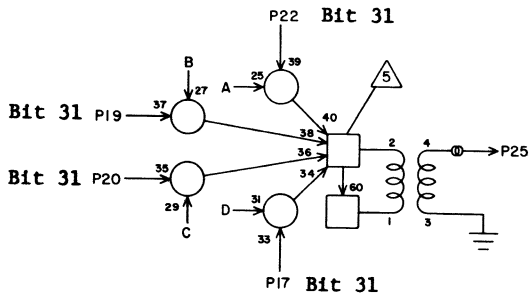
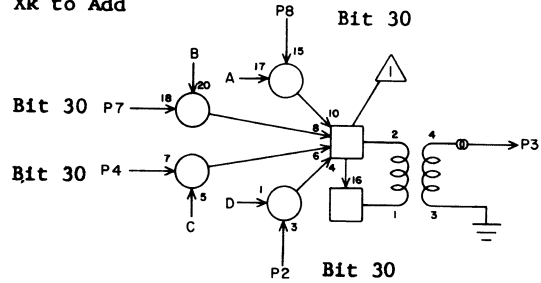
RG		7N 39	
1			
2	P12	11	29
3	W25	96	
4	I 7	1	37
5			
6			
7	N 1	1	35
8	D 7	1	49
9	O35	21	11
10	O35	8	11
11	P35	21	13
12	P35	8	13
13			
14			
15			
16	I 9	1	37
17	P13	11	27
18			
19	N 2	1	35
20	I 8	1	37
21	W25	98	
22	D 8	1	49
23			
24	D 9	1	49
25	W25	97	
26	Q 1	1	37
27			
28	N 3	1	35
	JACK	PIN	LG

mE Exit Control: Trunk  
Xk to Add



RG		7N 40	
1			
2	Q 2	1	37
3	W25	99	
4	J 1	11	39
5			
6			
7	N 4	1	35
8	E 1	11	47
9	O35	19	11
10	O35	10	11
11	P35	19	13
12	P35	10	13
13			
14			
15			
16	J 3	11	37
17	Q 3	1	37
18			
19	N 5	1	35
20	J 2	11	39
21	W25	901	
22	E 2	11	47
23			
24	E 3	11	49
25	W25	900	
26	Q 4	1	35
27			
28	N 6	1	35
	JACK	PIN	LG

Exit Control: trunk  
Xk to Add

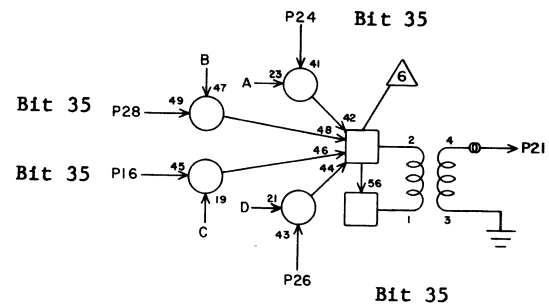
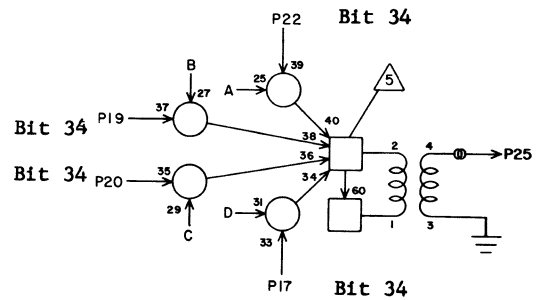
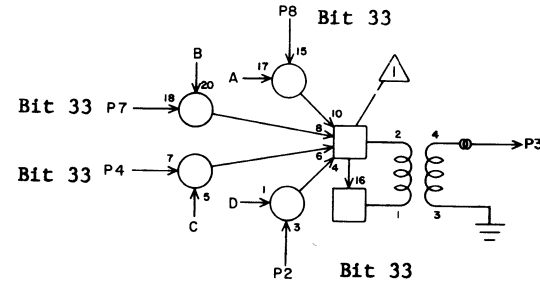


RG 7N41

1			
2	Q 5	1	35
3	W25	902	
4	J 4	11	37
5			
6			
7	N 7	11	33
8	E 4	11	49
9	O35	17	11
10	O35	12	11
11	P35	17	15
12	P35	12	15
13			
14			
15			
16	J 6	11	37
17	Q 6	11	35
18			
19	N 8	11	33
20	J 5	11	37
21	W25	904	
22	E 5	11	47
23			
24	E 6	11	47
25	W25	903	
26	Q 7	11	35
27			
28	N 9	11	31
	JACK	PIN	LG

63017300 Rev. D

Exit Control: Trunk  
Xk to Add



RG 7N42

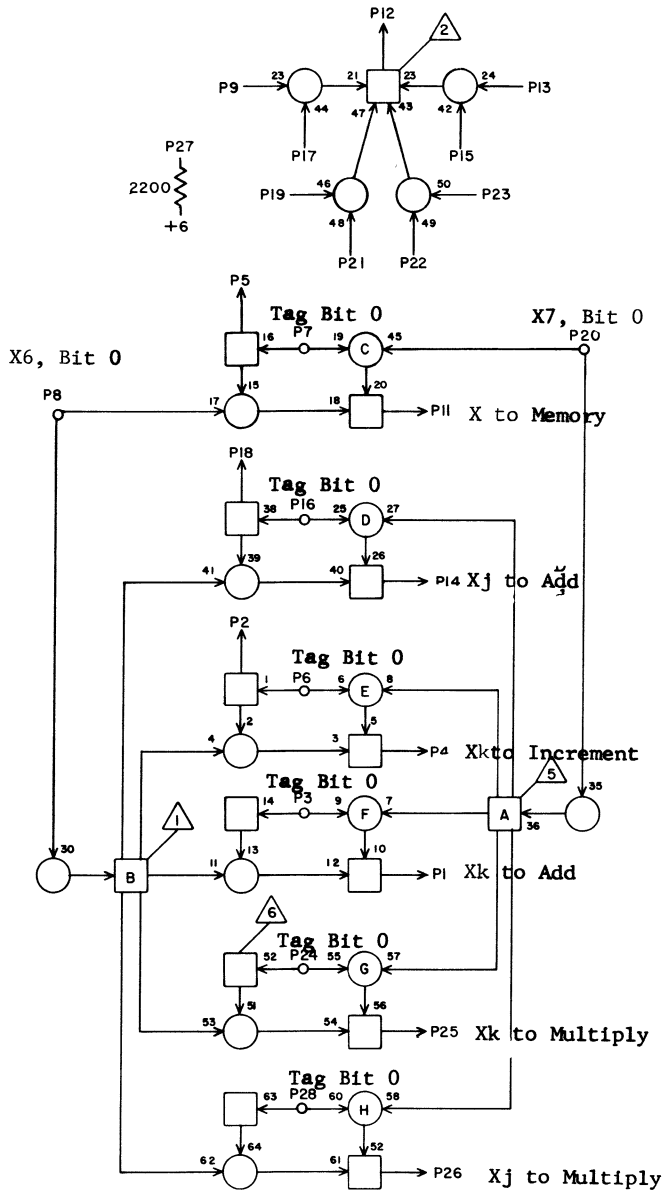
1			
2	Q 8	11	35
3	W25	905	
4	J 7	11	37
5			
6			
7	N10	11	31
8	E 7	11	47
9	O35	27	13
10	O35	2	11
11	P35	27	15
12	P35	2	13
13			
14			
15			
16	J 9	11	35
17	Q 9	11	35
18			
19	N11	11	29
20	J 8	11	37
21	W25	907	
22	E 8	11	47
23			
24	E 9	11	47
25	W25	906	
26	Q10	11	33
27			
28	N12	11	29
	JACK	PIN	LG

63017300 Rev. D

7N42

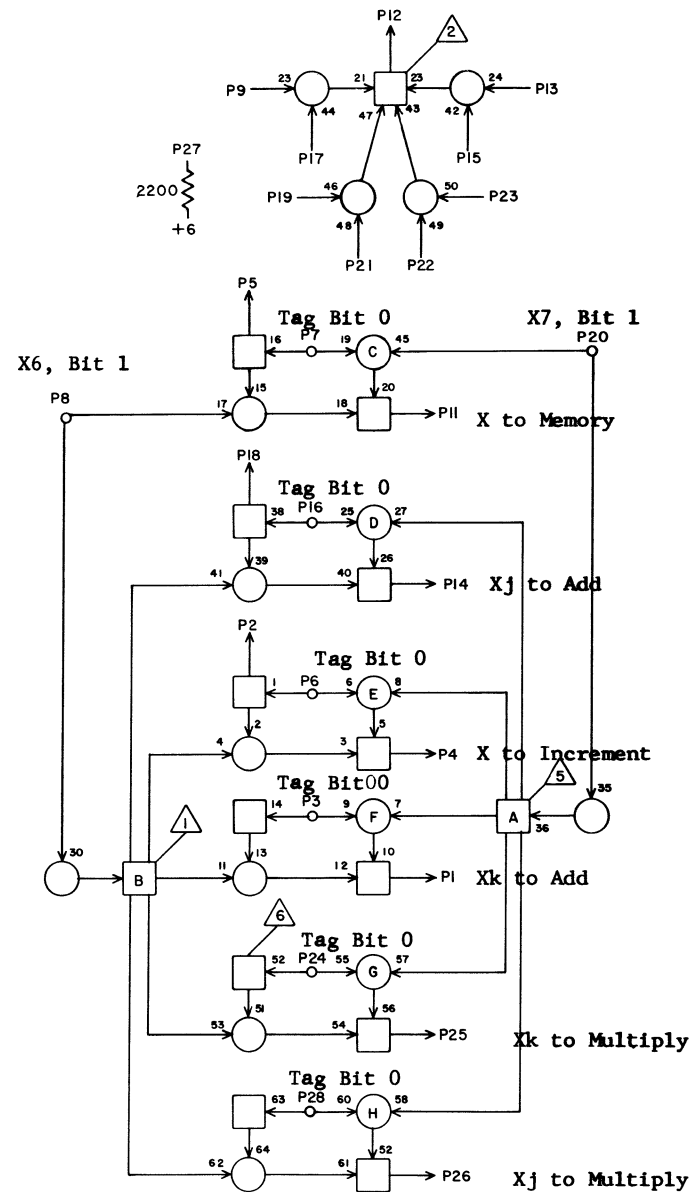


Exit Control: X Registers



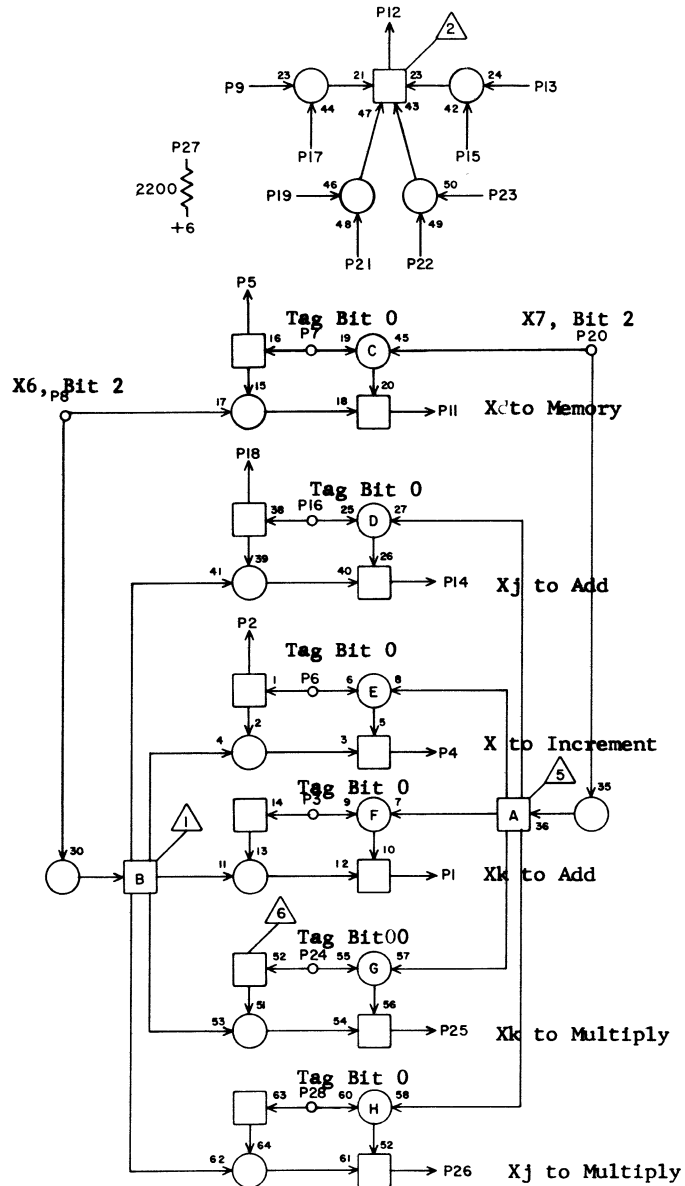
RF			
701			
JACK	PIN	LG	
1	M39	2	35
2	P 1	28	9
3	P 1	5	7
4	G 1	15	31
5	P 1	3	7
6	K 3	24	17
7	K11	18	19
8	N16	11	17
9			
10			
11	B 1	15	49
12			
13			
14	L 1	15	15
15			
16	K14	13	23
17			
18	P 1	24	7
19			
20	O16	11	17
21			
22			
23			
24	P 1	18	5
25	G29	2	43
26	I29	2	37
27			
28	P 1	2	3

Exit Control: X Registers



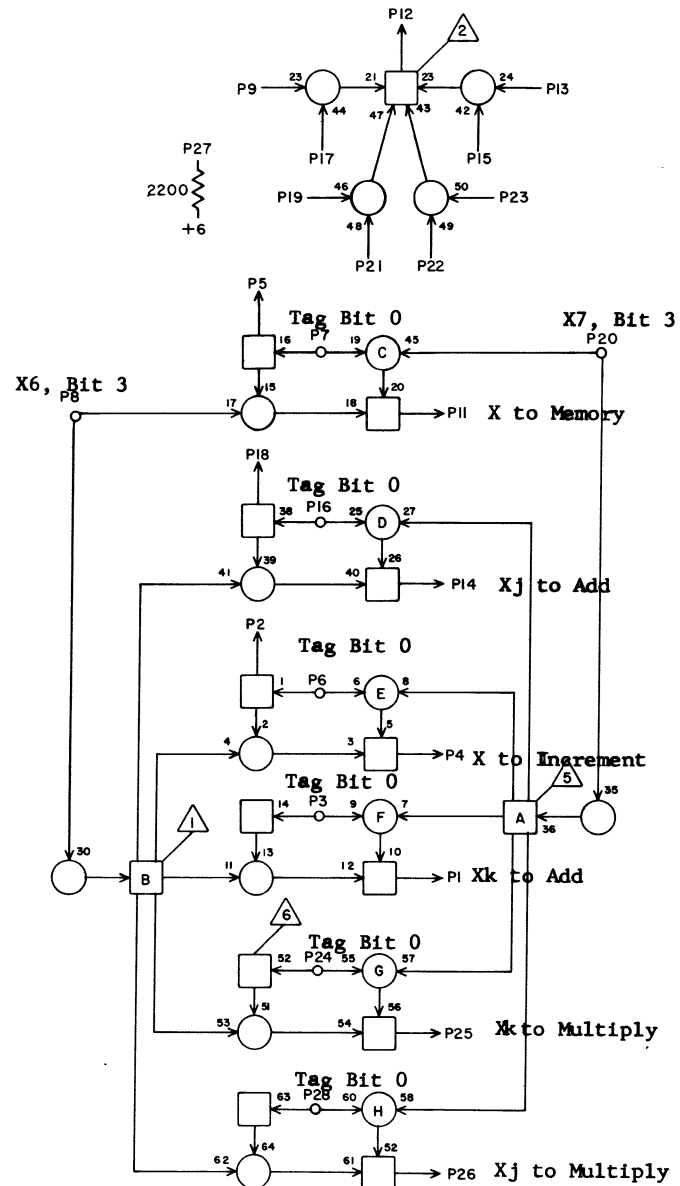
RF			
702			
JACK	PIN	LG	
1	M39	17	35
2	P 2	28	9
3	P 2	5	7
4	G 2	15	31
5	P 2	3	7
6	K 3	22	17
7	K11	28	19
8	N16	16	17
9			
10			
11	B 2	15	49
12			
13			
14	L 2	15	15
15			
16	K14	1	23
17			
18	P 2	24	7
19			
20	O16	16	15
21			
22			
23			
24	P 2	18	5
25	G29	17	43
26	I29	17	37
27			
28	P 2	2	3

Exit Control: X Registers



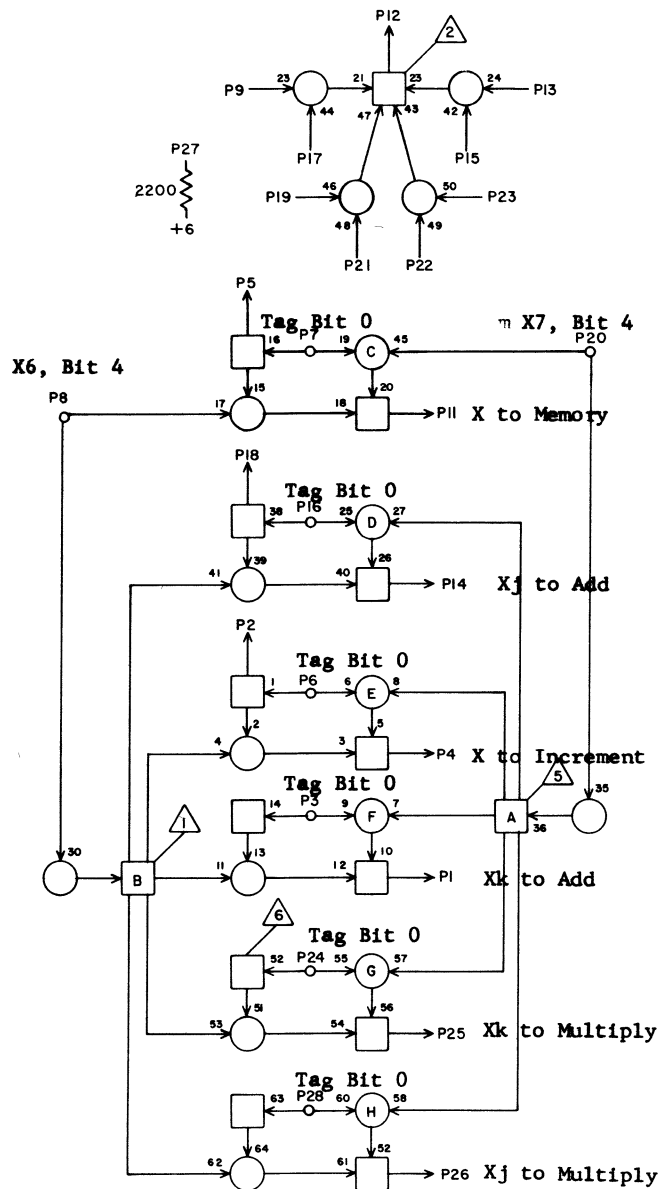
RF 703			
JACK	PIN	LG	
1	M39	26	35
2	P 3	28	9
3	P 3	5	7
4	G 3	15	31
5	P 3	3	7
6	K 3	20	17
7	K11	21	19
8	N16	26	15
9			
10			
11	B 3	15	49
12			
13			
14	L 3	15	15
15			
16	K14	8	21
17			
18	P 3	24	7
19			
20	O16	26	15
21			
22			
23			
24	P 3	18	5
25	G29	26	41
26	I29	26	33
27			
28	P 3	2	3

Exit Control: X Registers



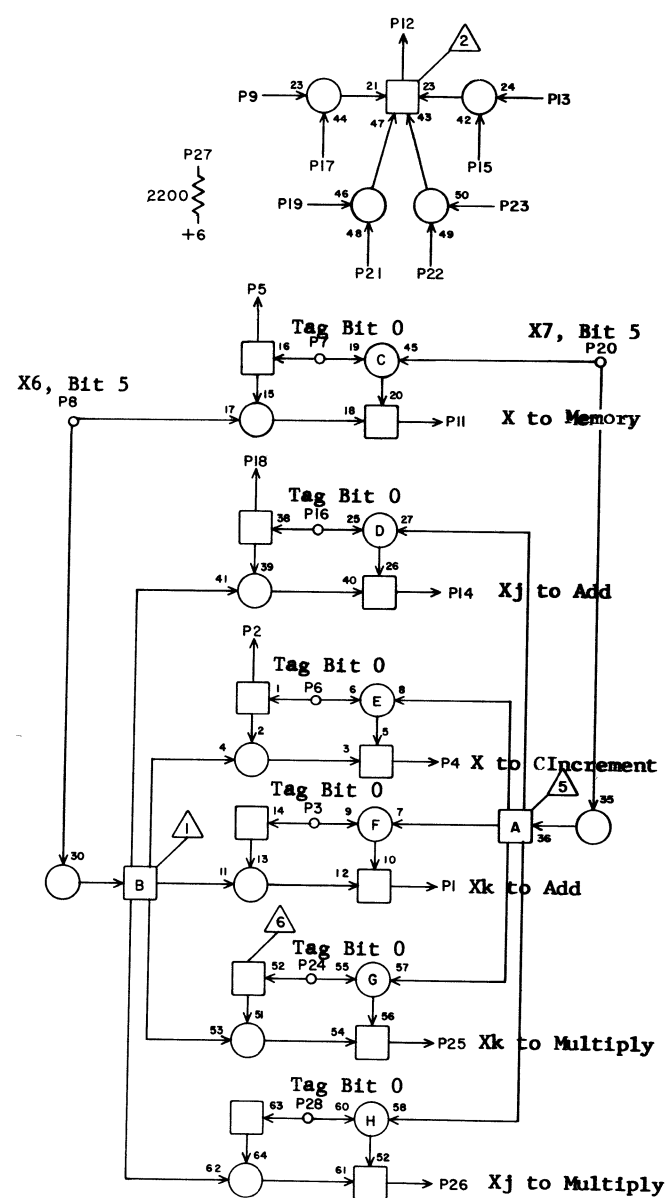
RF 704			
JACK	PIN	LG	
1	M40	2	35
2	P 4	28	9
3	P 4	5	7
4	G 4	15	31
5	P 4	3	7
6	K 3	18	17
7	K11	19	19
8	N16	27	15
9			
10			
11	B 4	15	49
12			
13			
14	L 4	15	15
15			
16	K14	10	21
17			
18	P 4	24	7
19			
20	O16	27	15
21			
22			
23			
24	P 4	18	5
25	G30	2	41
26	I30	2	37
27			
28	P 4	2	3

ExitControl: X Registers



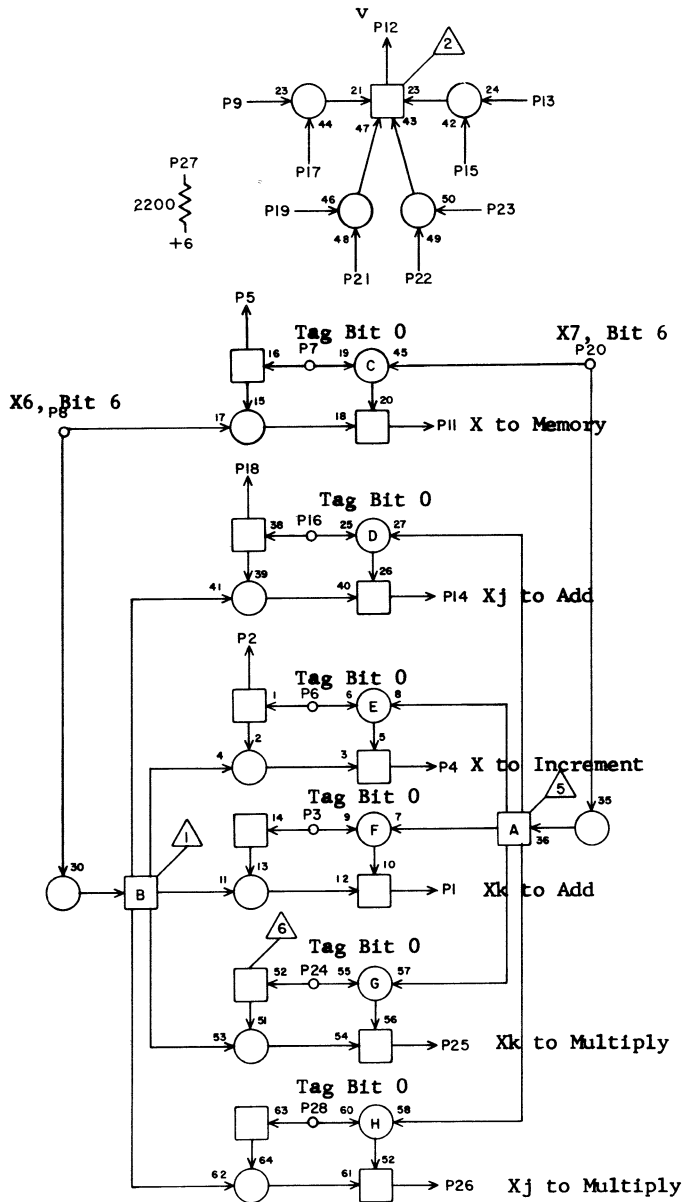
RF		705	
1	M40	17	35
2	P 5	28	9
3	P 5	5	7
4	G 5	15	33
5	P 5	3	7
6	K 3	28	17
7	K11	17	19
8	N17	11	15
9			
10			
11	B 5	15	49
12			
13			
14	L 5	15	15
15			
16	K14	12	19
17			
18	P 5	24	7
19			
20	O17	11	15
21			
22			
23			
24	P 5	18	5
25	G30	17	41
26	I30	17	37
27			
28	P 5	2	3
	JACK	PIN	LG

Exit Control: X Registers



RF		706	
1	M40	26	33
2	P 6	28	9
3	P 6	5	7
4	G 6	15	33
5	P 6	3	7
6	K 3	21	17
7	K11	27	19
8	N17	16	15
9			
10			
11	B 6	15	49
12			
13			
14	L 6	15	15
15			
16	K14	2	21
17			
18	P 6	24	7
19			
20	O17	16	13
21			
22			
23			
24	P 6	18	5
25	G30	26	39
26	I30	26	33
27			
28	P 6	2	3
	JACK	PIN	LG

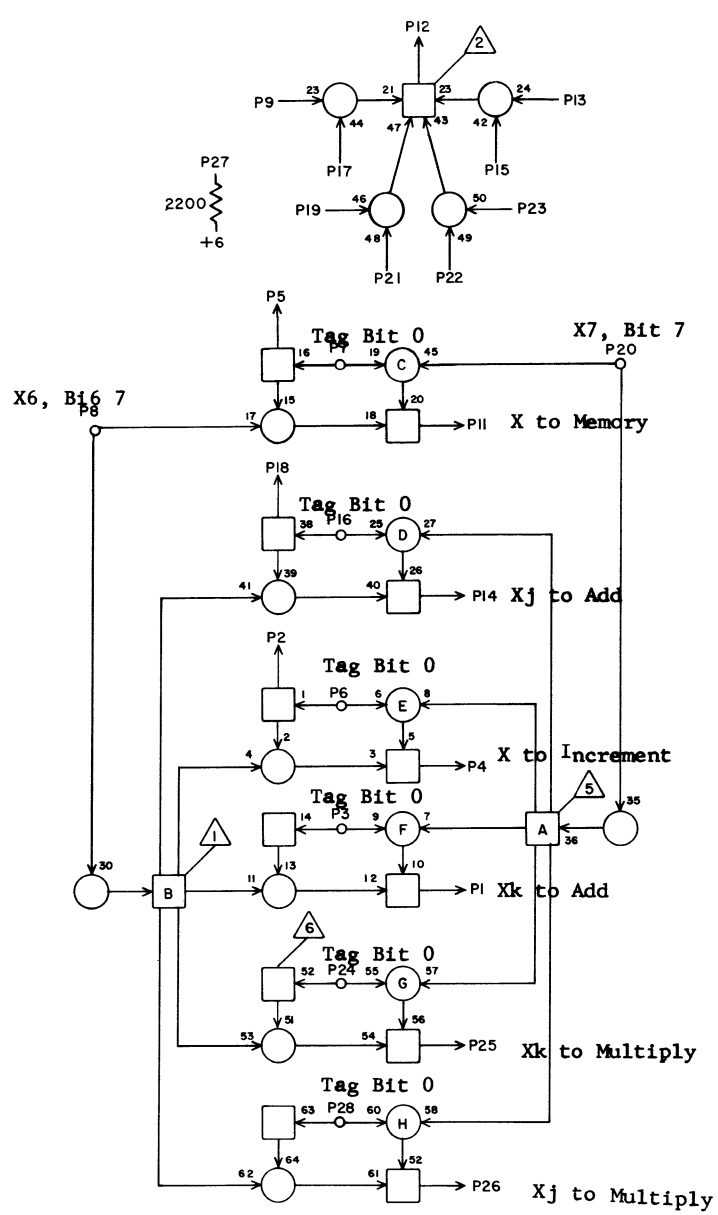
Exit Control: X Registers



RF		70 7	
1	M41	2	35
2	P 7	28	9
3	P 7	5	7
4	G 7	15	33
5	P 7	3	7
6	K 3	19	17
7	M14	15	13
8	N17	26	15
9			
10			
11	B 7	15	49
12			
13			
14	L 7	15	15
15			
16	M14	25	13
17			
18	P 7	24	7
19			
20	O17	26	13
21			
22			
23			
24	P 7	18	5
25	G31	2	41
26	I31	2	37
27			
28	P 7	2	3
	JACK	PIN	LG

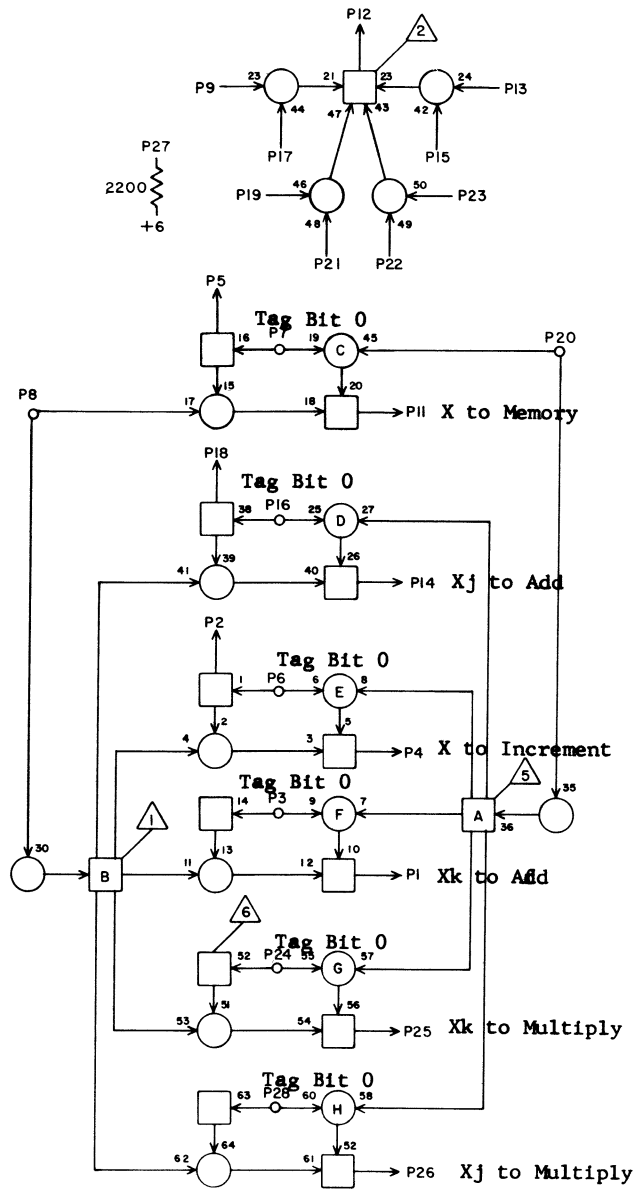
63017300 Rev.D

RF 70 8



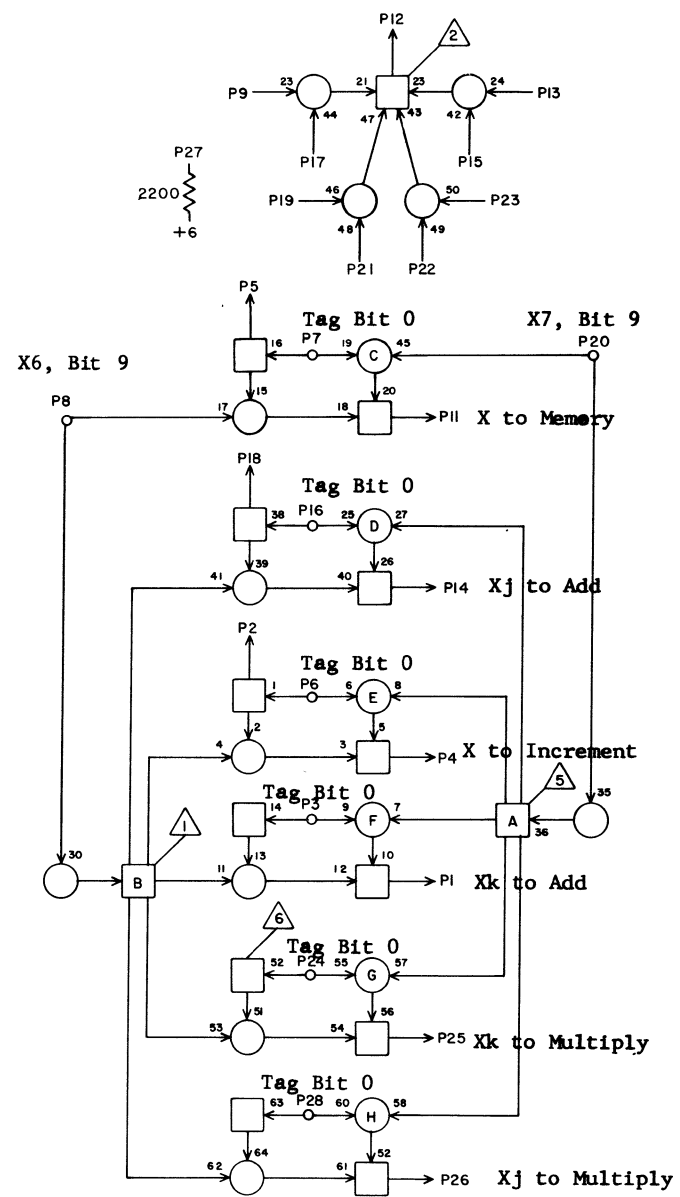
RF		70 8	
1	M41	17	35
2	P 8	28	9
3	P 8	5	7
4	G 8	15	33
5	P 8	3	7
6	K 3	17	17
7	M14	7	13
8	N17	27	13
9			
10			
11	B 8	15	49
12			
13			
14	L 8	15	15
15			
16	M14	23	13
17			
18	P 8	24	7
19			
20	O17	27	13
21			
22			
23			
24	P 8	18	5
25	G31	17	39
26	I31	17	33
27			
28	P 8	2	3
	JACK	PIN	LG

63017300 Rev. D



RF		709	
JACK	PIN	LG	
1	M41	26	33
2	P 9	28	9
3	P 9	5	7
4	G 9	15	33
5	P 9	3	7
6	K 3	27	17
7	M14	6	13
8	N18	11	13
9			
10			
11	B 9	15	49
12			
13			
14	L 9	15	15
15			
16	M14	26	11
17			
18	P 9	24	7
19			
20	O18	11	11
21			
22			
23			
24	P 9	18	3
25	G31	26	39
26	I31	26	33
27			
28	P 9	2	3

Exit Control: X Registers

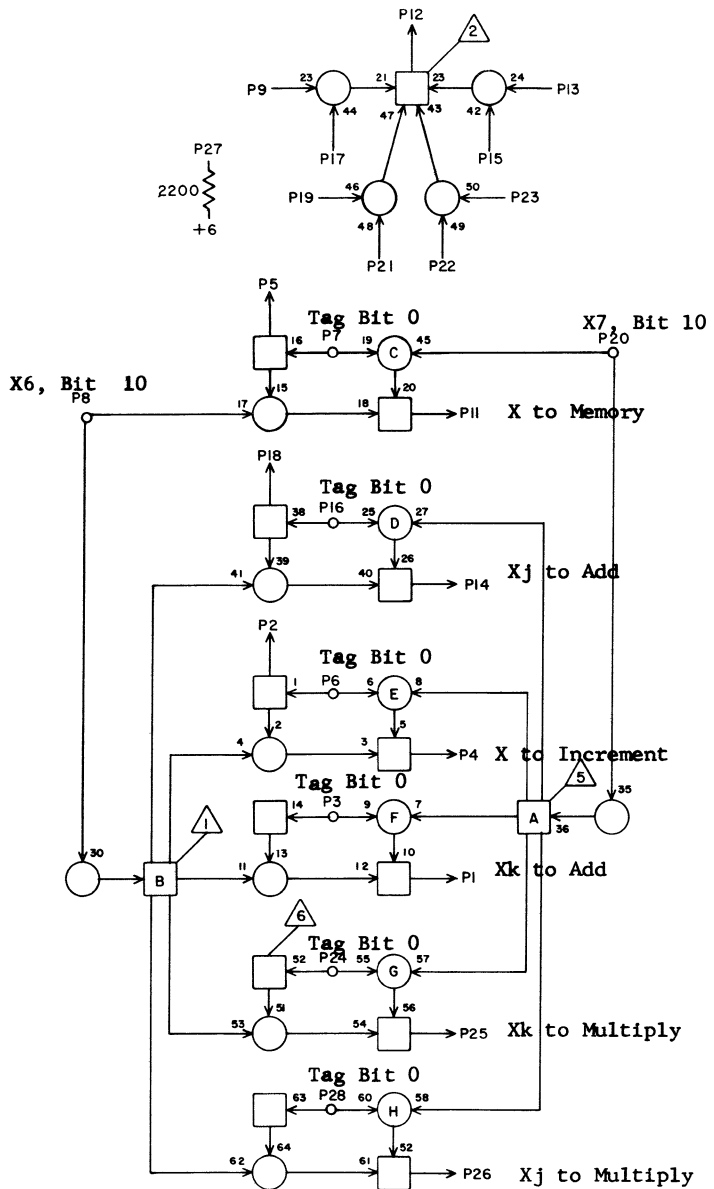


RF		7010	
JACK	PIN	LG	
1	M42	2	33
2	P10	28	9
3	P10	5	7
4	H 1	15	29
5	P10	3	7
6	K23	24	21
7	M14	4	11
8	N18	16	11
9			
10			
11	C 1	15	47
12			
13			
14	L10	15	15
15			
16	M14	24	11
17			
18	P10	24	7
19			
20	O18	16	11
21			
22			
23			
24	P10	18	5
25	G32	2	41
26	I32	2	33
27			
28	P10	2	3

Exit Control: X to Memory

RF

70 11

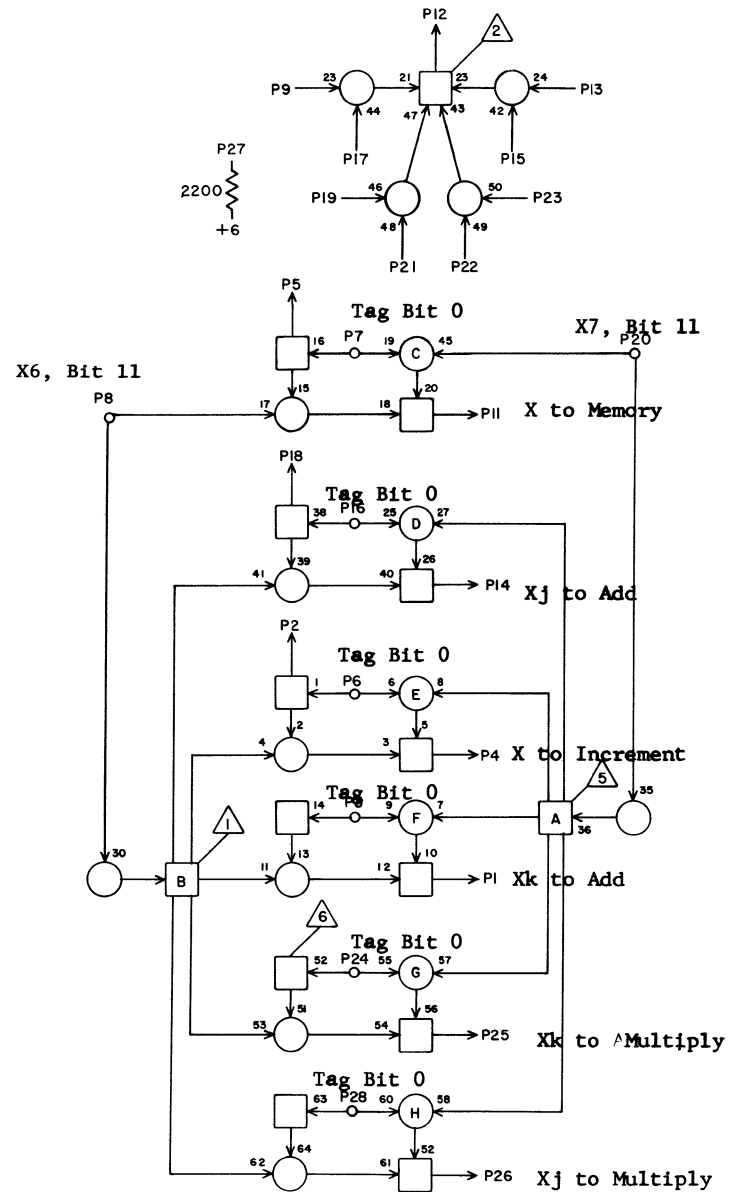


	JACK	PIN	LG
1	M42	17	33
2	P11	28	9
3	P11	5	7
4	H 2	15	29
5	P11	3	7
6	K23	22	19
7	M14	9	11
8	N18	26	11
9			
10			
11	C 2	15	47
12			
13			
14	L11	15	15
15			
16	M14	22	11
17			
18	P11	24	7
19			
20	O18	26	9
21			
22			
23			
24	P11	18	5
25	G32	17	39
26	I32	17	33
27			
28	P11	2	3

Exit Control: X to Memory

RF

70 12

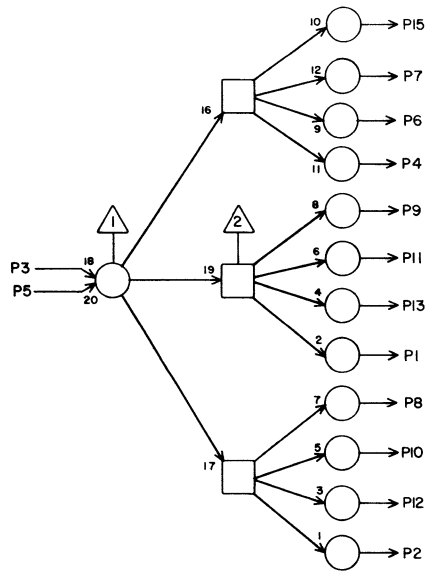


	JACK	PIN	LG
1	M42	26	29
2	P12	28	9
3	P12	5	7
4	H 3	15	29
5	P12	3	7
6	K23	20	21
7	M14	11	11
8	N18	27	11
9			
10			
11	C 3	15	47
12			
13			
14	L12	15	17
15			
16	M14	20	11
17			
18	P12	24	7
19			
20	O18	27	9
21			
22			
23			
24	P12	18	5
25	G32	26	37
26	I32	26	33
27			
28	P12	2	3

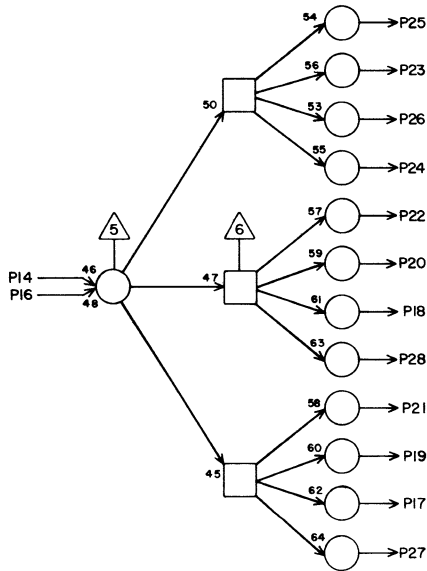


Exit Control  
X<sub>j</sub> to Add

4+5



6+7



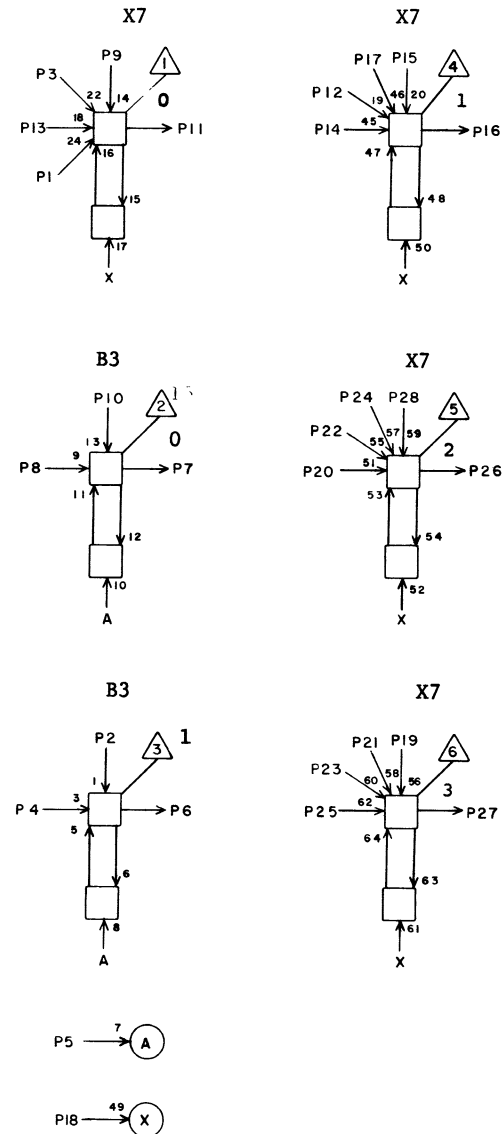
TC 70 15

1	N 8	23	11
2	N12	23	7
3	K10	7	19
4	N 4	23	13
5	gnd		2
6	N 3	23	13
7	N 2	23	15
8	N 9	23	9
9	N 5	23	13
10	N10	23	9
11	N 6	23	13
12	N11	23	9
13	N 7	23	11
14	K10	11	19
15	N 1	23	15
16	gnd		2
17	N11	13	9
18	N 7	13	11
19	N10	13	11
20	N 6	13	13
21	N 9	13	11
22	N 5	13	13
23	N 2	13	17
24	N 4	13	13
25	N 1	13	15
26	N 3	13	15
27	N12	13	9
28	N 8	13	11

JACK PIN LG

63017300 Rev. D

### Operating Registers



RD 70 16

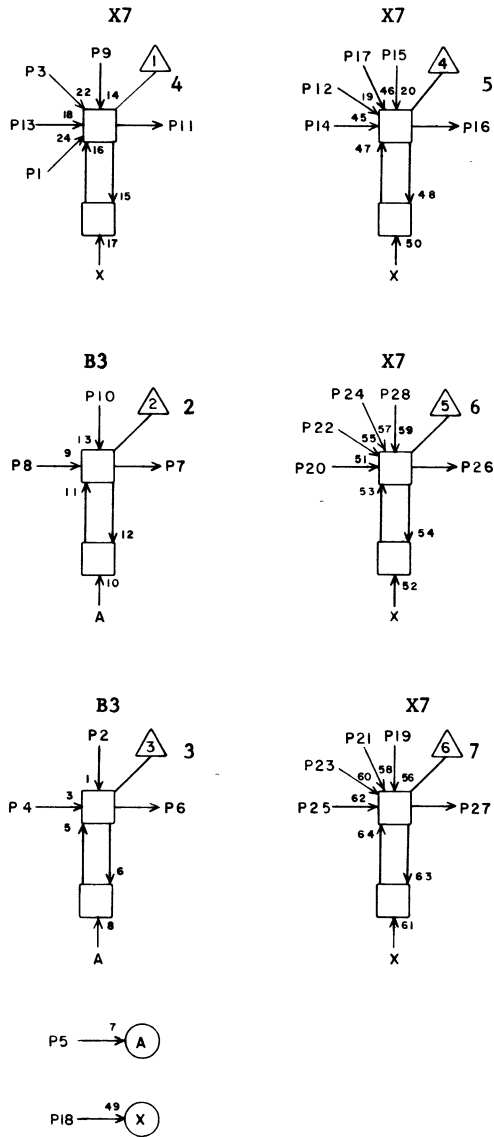
1	gnd		2
2	O38	17	23
3	H38	12	35
4	M29	17	17
5	M21	16	11
6	Q14	25	13
7	Q13	25	13
8	M29	7	17
9	H13	12	31
10	O38	9	23
11	O 1	20	17
12	D35	24	45
13	D35	12	45
14	gnd		2
15	H13	24	29
16	O 2	20	15
17	H38	24	33
18	O21	16	9
19	H13	17	31
20	gnd		2
21	H38	17	35
22	D35	9	45
23	D35	17	45
24	H38	9	37
25	gnd		2
26	O 3	20	15
27	O 4	20	15
28	H13	7	31

JACK PIN LG

63017300 Rev. M



Operating Registers

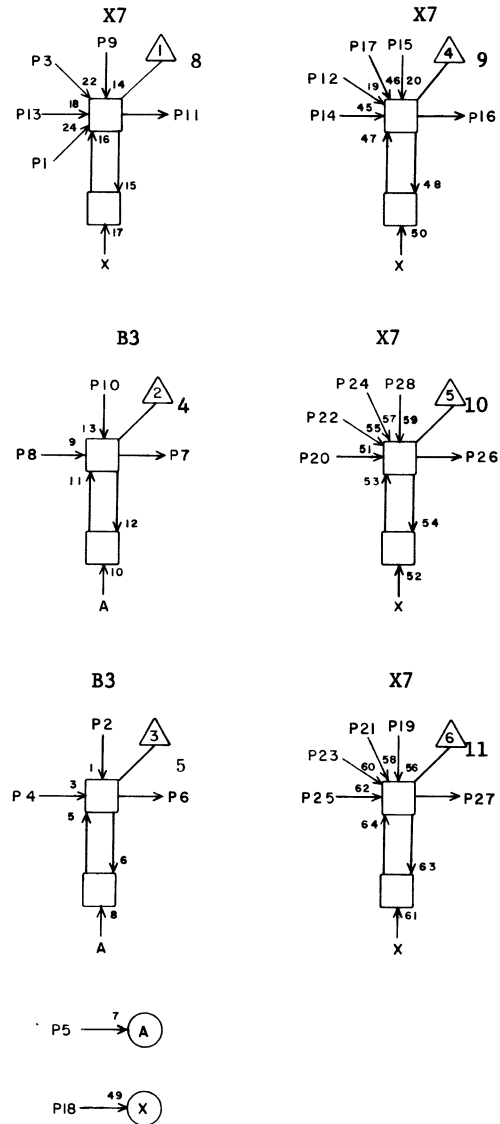


RD 70 17

1	gnd		2
2	O38	24	21
3	H40	12	37
4	M29	24	17
5	M21	18	11
6	Q16	25	13
7	Q15	25	13
8	M29	12	17
9	H15	12	31
10	O38	12	21
11	O 5	20	15
12	D37	24	45
13	D37	12	45
14	gnd		2
15	H15	24	29
16	O 6	20	13
17	H40	24	35
18	O21	18	7
19	H15	17	29
20	gnd		2
21	H40	17	37
22	D37	9	45
23	D37	17	45
24	H40	9	37
25	gnd		2
26	O 7	20	13
27	O 8	20	13
28	H15	7	31

JACK PIN LG

Operating Registers

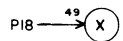
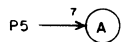
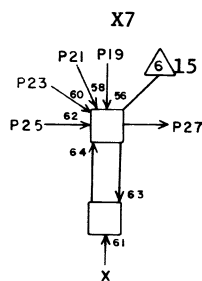
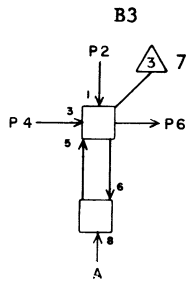
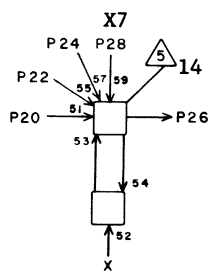
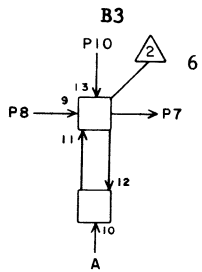
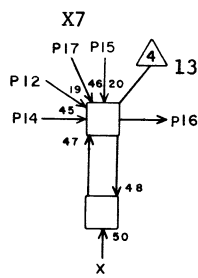
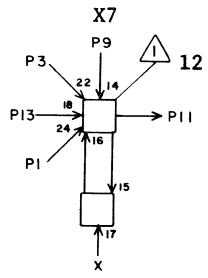


RD 70 18

1	gnd		2
2	O40	17	23
3	H42	12	35
4	M31	17	17
5	M21	20	11
6	Q18	25	13
7	Q17	25	13
8	M31	7	17
9	H18	12	29
10	O40	9	23
11	O 9	20	11
12	D39	24	45
13	D39	12	45
14	gnd		2
15	H18	24	29
16	O10	20	11
17	H42	24	35
18	O21	20	5
19	H18	17	29
20	gnd		2
21	H42	17	35
22	D39	9	45
23	D39	17	45
24	H42	9	35
25	gnd		2
26	O11	20	9
27	O12	20	9
28	H18	7	29

JACK PIN LG

Operating Registers



RD

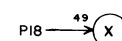
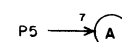
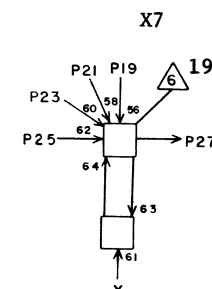
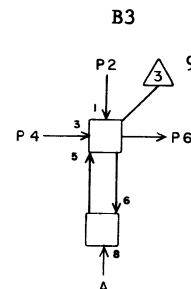
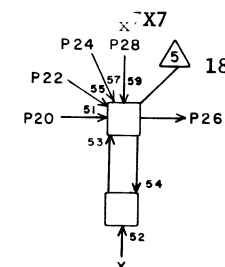
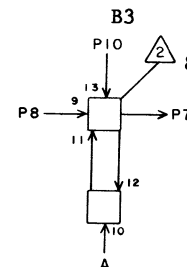
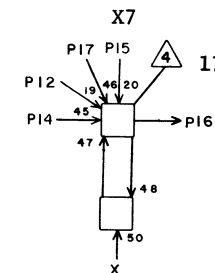
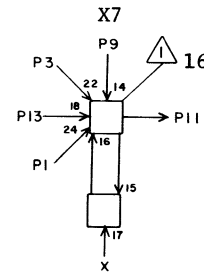
70 19

1	gnd		2
2	O40	24	23
3	J38	12	27
4	M31	24	17
5	M21	22	11
6	Q20	25	13
7	Q19	25	13
8	M31	12	17
9	H22	12	29
10	O40	12	23
11	O13	20	9
12	D41	24	47
13	D41	12	47
14	gnd		2
15	H22	24	29
16	P 1	8	21
17	J38	24	27
18	O21	22	5
19	H22	17	29
20	gnd		2
21	J38	17	27
22	D41	9	47
23	D41	17	47
24	J38	9	27
25	gnd		2
26	P 2	8	19
27	P 3	8	19
28	H22	7	29

JACK PIN LG

63017300 Rev. D

Operating Registers



RD

70 20

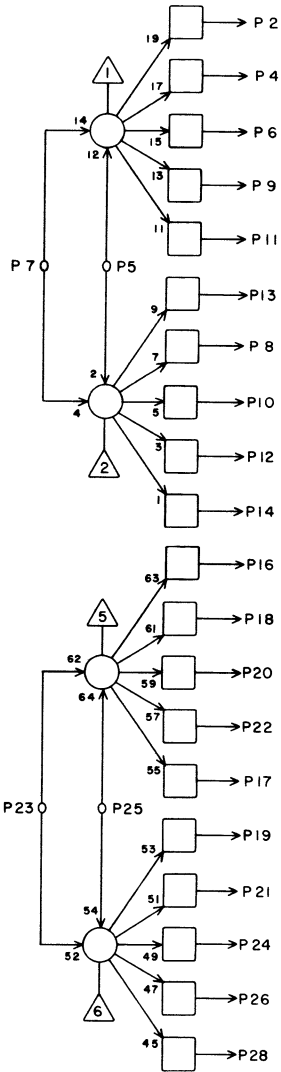
1	gnd		2
2	O42	17	23
3	J40	12	27
4	M33	17	17
5	M21	17	9
6	R13	25	17
7	Q21	25	13
8	M33	7	17
9	J11	12	23
10	O42	9	23
11	P 4	8	19
12	E34	24	41
13	E34	12	41
14	gnd		2
15	J11	24	23
16	P 5	8	17
17	J40	24	27
18	O21	17	3
19	J11	17	23
20	gnd		2
21	J40	17	27
22	E34	9	41
23	E34	17	41
24	J40	9	29
25	gnd		2
26	P 6	8	17
27	P 7	8	15
28	J11	7	23

JACK PIN LG

63017300 Rev. D

Entry Control

Clear X6



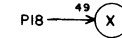
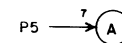
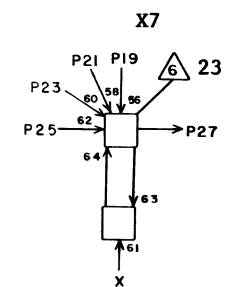
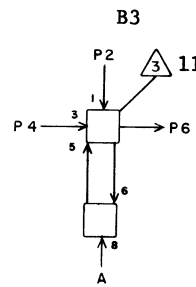
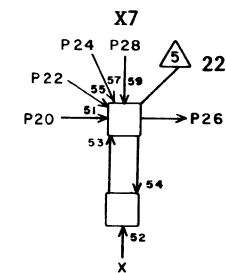
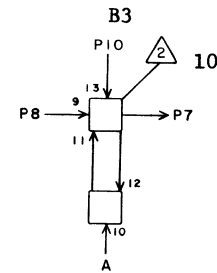
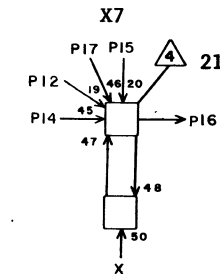
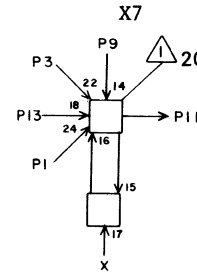
Clear X7

HC 70 21

1			
2	N16	18	9
3			
4	N17	18	7
5	J22	24	23
6	N18	18	7
7	I17	8	27
8	N23	18	7
9	N19	18	7
10	N24	18	7
11	N20	18	5
12	N25	18	9
13	N22	18	7
14			
15			
16	O16	18	9
17	O20	18	3
18	O17	18	7
19	O22	18	3
20	O18	18	5
21	O23	18	5
22	O19	18	5
23	I17	10	27
24	O24	18	5
25	J23	24	23
26	O25	18	7
27			
28			

JACK PIN LG

Operating Registers

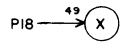
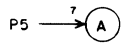
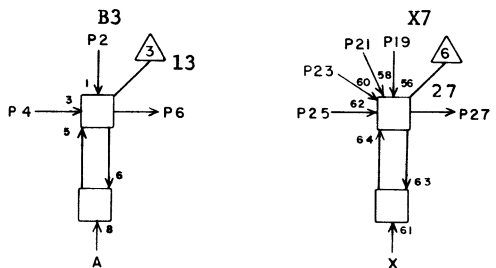
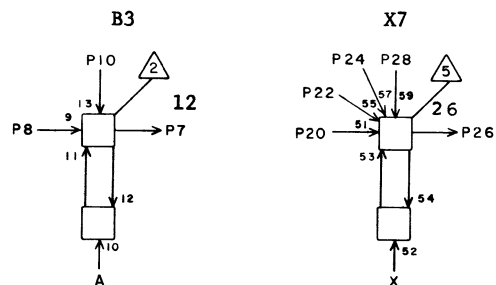
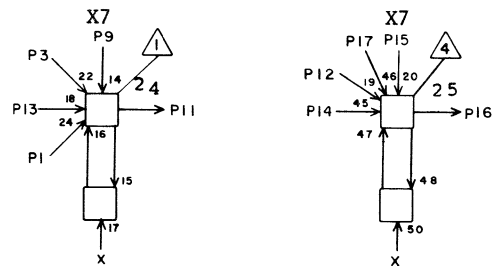


RD 70 22

1	gnd		2
2	O42	24	21
3	J42	12	29
4	M33	24	17
5	M21	19	9
6	R15	25	17
7	R14	25	19
8	M33	12	17
9	J13	12	23
10	O42	12	21
11	P 8	8	17
12	E36	24	41
13	E36	12	41
14	gnd		2
15	J13	24	23
16	P 9	8	15
17	J42	24	29
18	O21	19	3
19	J13	17	23
20	gnd		2
21	J42	17	29
22	E36	9	41
23	E36	17	41
24	J42	9	29
25	gnd		2
26	P10	8	15
27	P11	8	13
28	J13	7	23

JACK PIN LG

Operating Registers



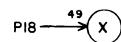
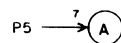
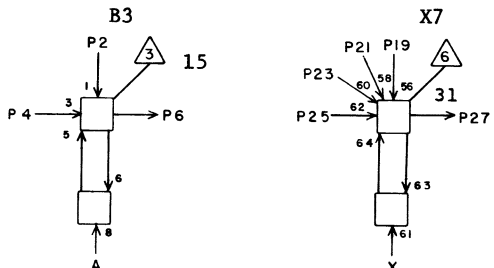
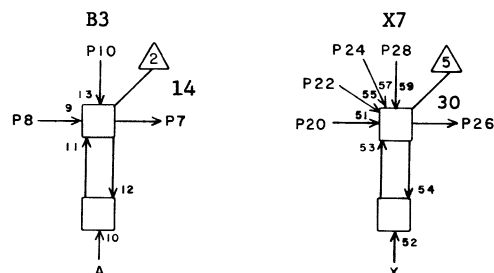
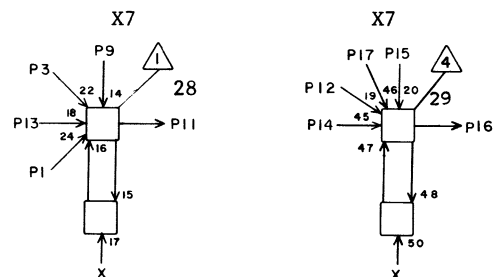
RD

70 23

1	gnd		2
2	P39	17	21
3	K37	9	21
4	N30	17	11
5	M21	21	11
6	R17	25	17
7	R16	25	17
8	N30	7	11
9	J15	12	23
10	P39	9	21
11	P12	8	15
12	E38	24	41
13	E38	12	41
14	gnd		2
15	J15	24	23
16	P13	8	13
17	K37	17	21
18	O21	21	5
19	J15	17	23
20	gnd		2
21	K37	24	21
22	E38	9	41
23	E38	17	41
24	K37	12	21
25	gnd		2
26	Q 1	20	23
27	Q 2	20	23
28	J15	7	23

JACK PIN LG

Operating Registers

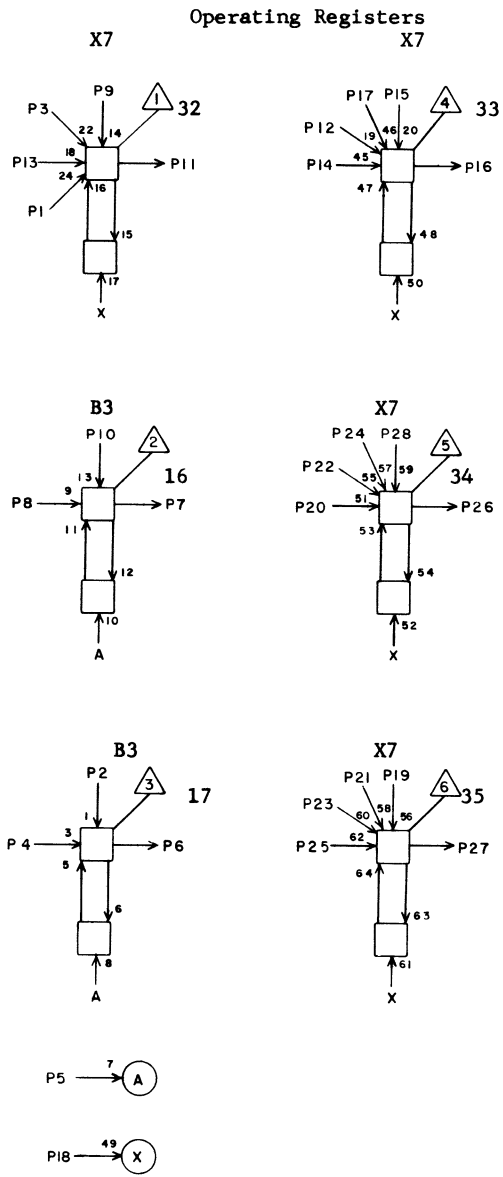


RD

70 24

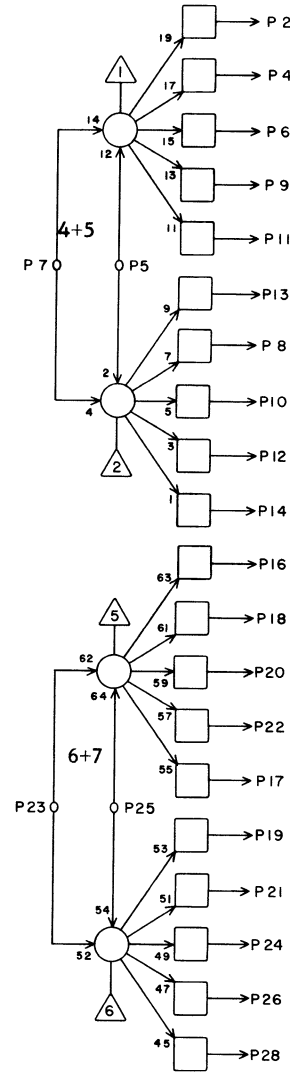
1	gnd		2
2	P39	24	17
3	K39	9	23
4	N30	24	9
5	M21	24	11
6	R19	25	17
7	R18	25	17
8	N30	12	9
9	J17	12	23
10	P39	12	17
11	Q 3	20	25
12	E40	24	41
13	E40	12	41
14	gnd		2
15	J17	24	23
16	Q 4	20	23
17	K39	17	23
18	O21	24	5
19	J17	17	23
20	gnd		2
21	K39	24	23
22	E40	9	41
23	E40	17	41
24	K39	12	23
25	gnd		2
26	Q 5	20	21
27	Q 6	8	21
28	J17	7	23

JACK PIN LG



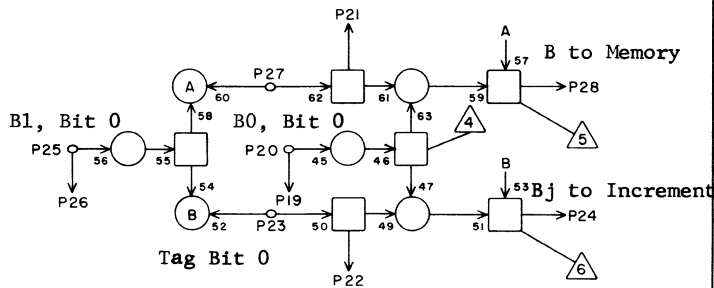
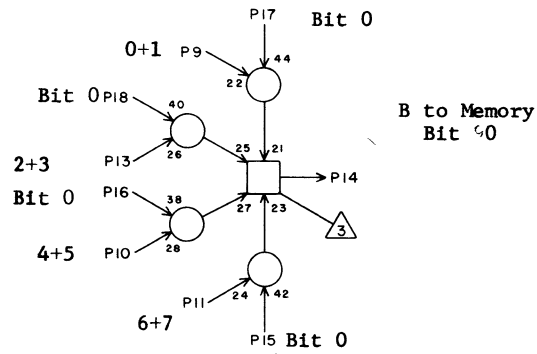
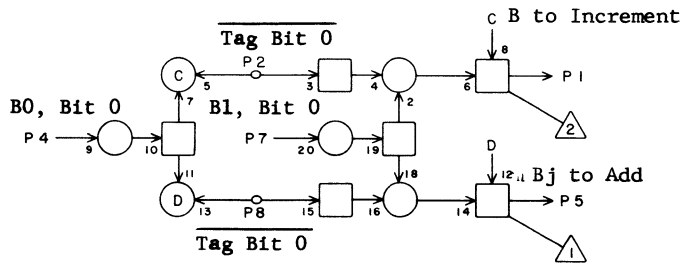
RD		70 25	
1	gnd		2
2	P41	17	21
3	K41	9	23
4	N32	17	13
5	M21	26	11
6	R21	25	17
7	R20	25	17
8	N32	7	11
9	J19	12	23
10	P41	9	21
11	Q 7	8	21
12	E42	24	41
13	E42	12	41
14	gnd		2
15	J19	24	23
16	Q 8	8	21
17	K41	17	23
18	O21	26	7
19	J19	17	23
20	gnd		2
21	K41	24	23
22	E42	9	41
23	E42	17	41
24	K41	12	23
25	gnd		2
26	Q 9	8	19
27	Q10	8	19
28	J19	7	23
	JACK	PIN	LG

Exit Control  
B to Memory



HC		70 26	
1			
2	O27	10	3
3			
4	O28	10	7
5	K15	22	21
6	O29	10	5
7	gnd		2
8	O33	10	11
9	O30	10	9
10	O34	10	11
11	O31	10	9
12	P24	10	9
13	O32	10	11
14	P25	10	5
15			
16	O27	11	3
17	O31	11	9
18	O28	11	7
19	O32	11	11
20	O29	11	5
21	O33	11	11
22	O30	11	9
23	gnd		2
24	O34	11	11
25	K15	21	21
26	P24	11	5
27			
28	P25	11	7
	JACK	PIN	LG

Exit Control  
B Registers

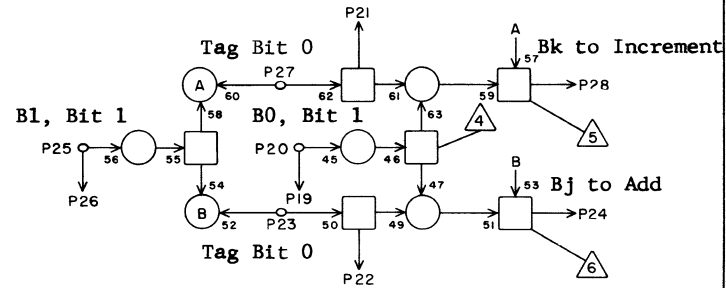
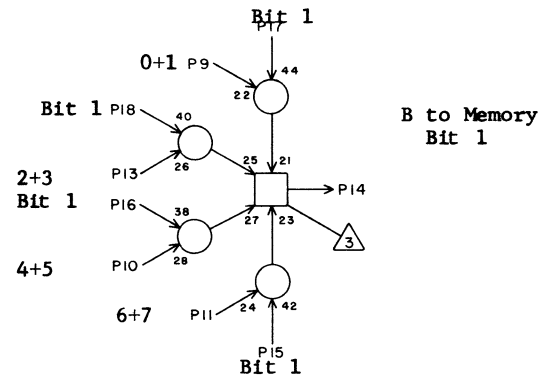
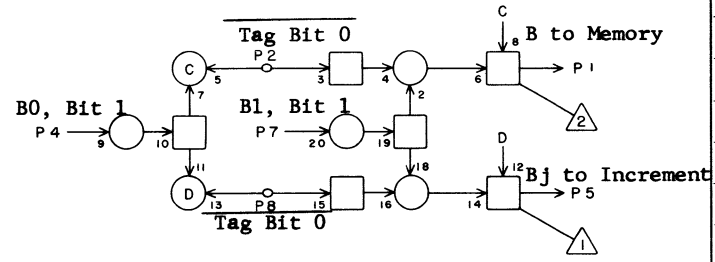


RH 70 27

1	L27	8	15
2	O28	21	7
3			
4	O27	19	3
5	Q24	17	13
6			
7	O27	26	5
8	O28	22	7
9	N26	2	9
10	O26	2	3
11	O26	16	3
12			
13	N26	16	9
14	F26	8	37
15	Q34	28	15
16	Q24	28	13
17	O27	28	3
18	Q13	28	17
19	O27	4	3
20	L16	7	19
21	O28	2	5
22	O28	8	5
23	Q23	25	13
24	Q13	17	19
25	M16	7	17
26	O27	7	5
27	Q22	15	13
28	O27	17	3

JACK PIN LG

Exit Control  
B Registers

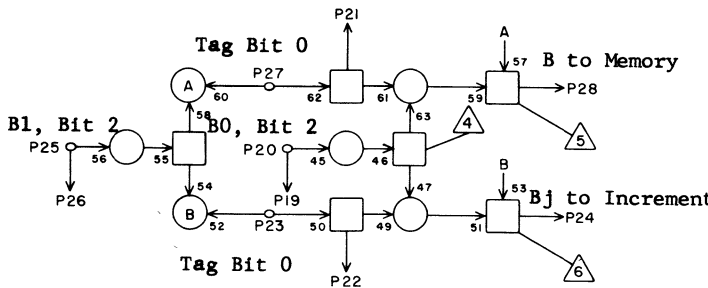
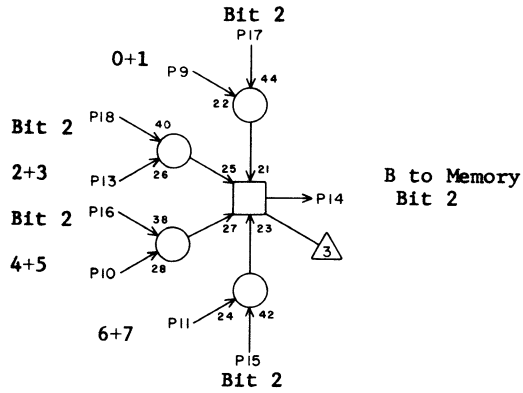
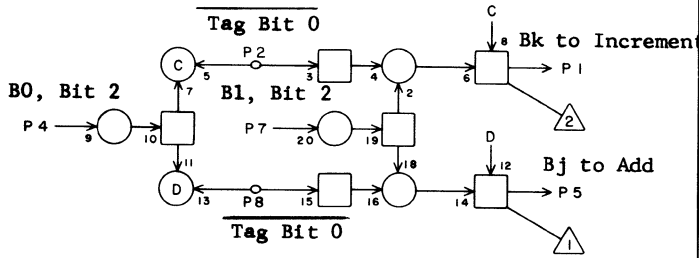


RH 70 28

1	O28	17	3
2	O27	21	5
3			
4	O28	19	5
5	Q14	17	19
6			
7	O28	26	5
8	O27	22	5
9	N26	4	9
10	O26	4	7
11	O26	18	7
12			
13	N26	18	9
14	F26	22	37
15	Q35	1	13
16	Q25	1	11
17	O28	1	3
18	Q14	1	19
19	O28	4	5
20	L16	6	21
21	O27	2	7
22	O27	8	7
23	R33	25	17
24	Q25	17	11
25	M16	6	17
26	O28	7	5
27	R22	15	15
28	L27	22	17

JACK PIN LG

Exit Control  
B Registers



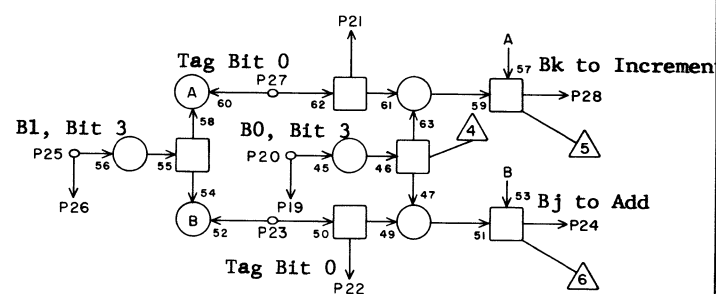
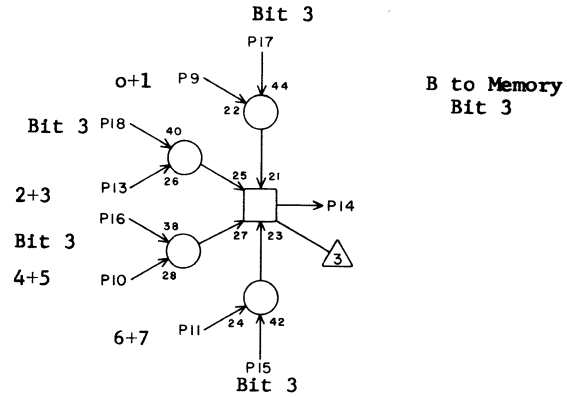
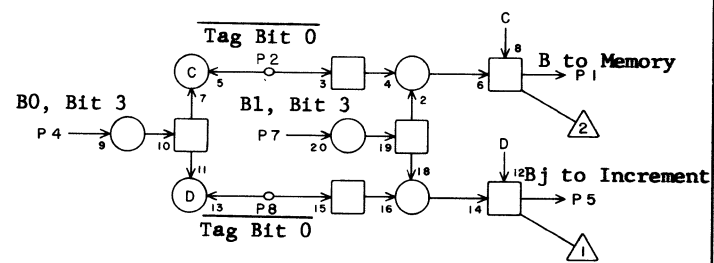
RH 70 29

1	L27	24	13
2	O30	21	7
3			
4	O29	19	5
5	Q26	17	13
6			
7	O29	26	5
8	O30	22	5
9	N26	6	9
10	O26	6	5
11	O26	20	5
12			
13	N26	20	9
14	F26	24	37
15	Q36	28	15
16	Q26	28	13
17	O29	28	3
18	Q15	28	19
19	O29	4	5
20	L17	7	21
21	O30	2	7
22	O30	8	5
23	Q23	23	15
24	Q15	17	19
25	M17	7	17
26	O29	7	5
27	Q22	7	17
28	O29	17	3

JACK PIN LG

63017300 Rev. D

Exit Control  
B Registers



RH 70 30

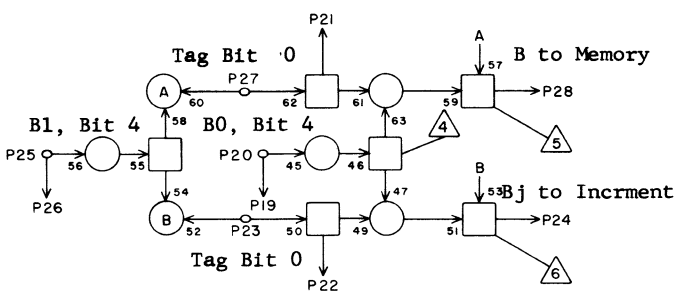
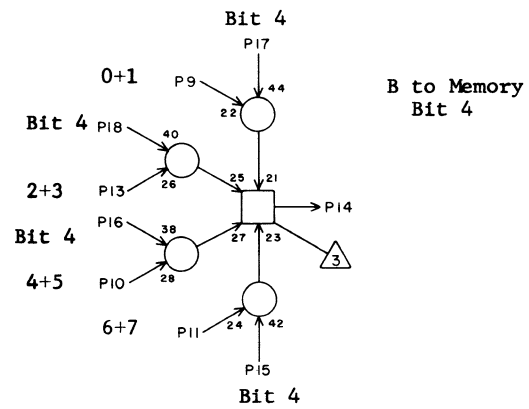
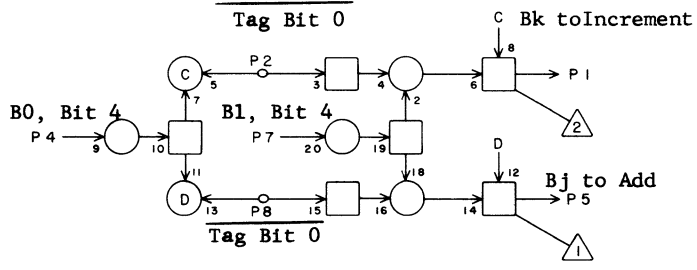
1	O30	17	5
2	O29	21	7
3			
4	O30	19	3
5	Q16	17	21
6			
7	O30	26	5
8	O29	22	5
9	N26	9	9
10	O26	9	9
11	O26	22	9
12			
13	N26	22	9
14	F27	8	37
15	Q37	1	13
16	Q27	1	11
17	O30	1	5
18	Q16	1	21
19	O30	4	3
20	L17	6	21
21	O29	2	7
22	O29	8	5
23	R33	23	15
24	Q27	17	13
25	M17	6	19
26	O30	7	5
27	R22	7	17
28	L28	8	17

JACK PIN LG

63017300 Rev. D

7030

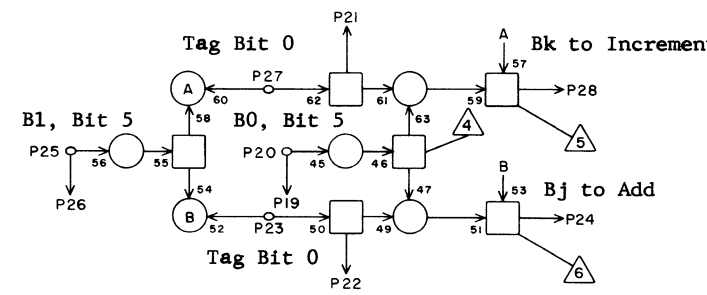
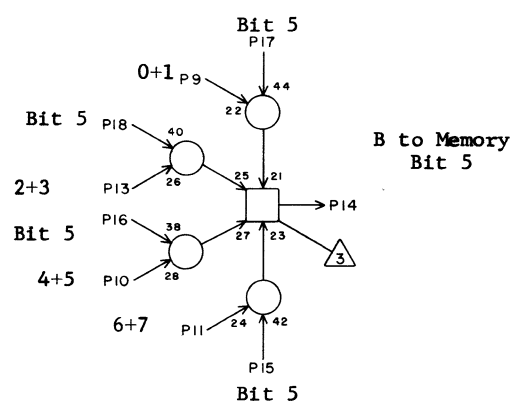
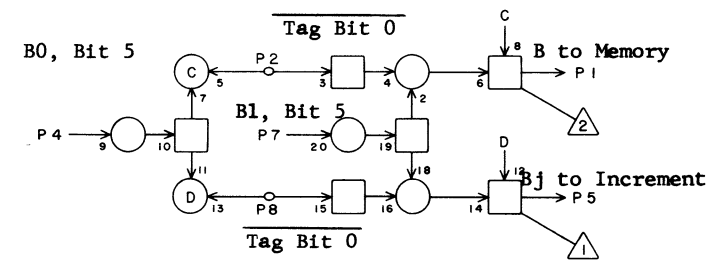
Exit Control  
B Registers



RH		70 31	
1	L28	22	17
2	O32	21	5
3			
4	O31	19	5
5	Q28	17	13
6			
7	O31	26	5
8	O32	22	5
9	N26	11	11
10	O26	11	9
11	O26	17	9
12			
13	N26	17	11
14	F27	22	39
15	Q38	28	15
16	Q28	28	15
17	O31	28	3
18	Q17	28	21
19	O31	4	5
20	L18	7	21
21	O32	2	5
22	O32	8	5
23	Q23	26	15
24	Q17	17	21
25	M18	7	19
26	O31	7	5
27	Q22	6	15
28	O31	17	3
JACK		PIN	LG

RH 70 32

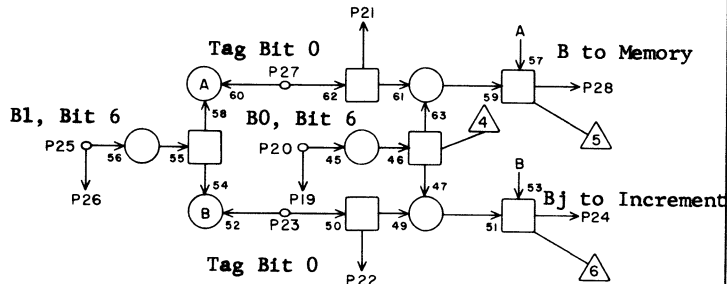
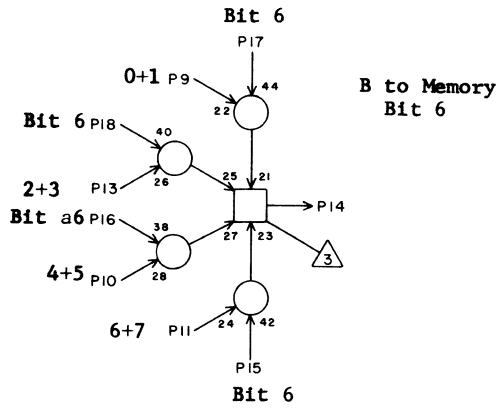
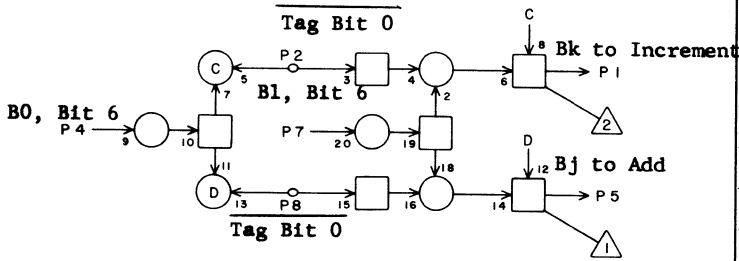
Exit Control  
B Registers



RH		70 32	
1	O32	17	3
2	O31	21	5
3			
4	O32	19	5
5	Q18	17	21
6			
7	O32	26	5
8	O31	22	5
9	N26	13	11
10	O26	13	11
11	O26	19	11
12			
13	N26	19	11
14	F27	24	39
15	Q39	1	15
16	Q29	1	15
17	O32	1	3
18	Q18	1	21
19	O32	4	5
20	L18	6	21
21	O31	2	5
22	O31	8	5
23	R33	26	17
24	Q29	17	13
25	M18	6	19
26	O32	7	5
27	R22	6	17
28	L28	24	17
JACK		PIN	LG



Exit Control  
B Registers

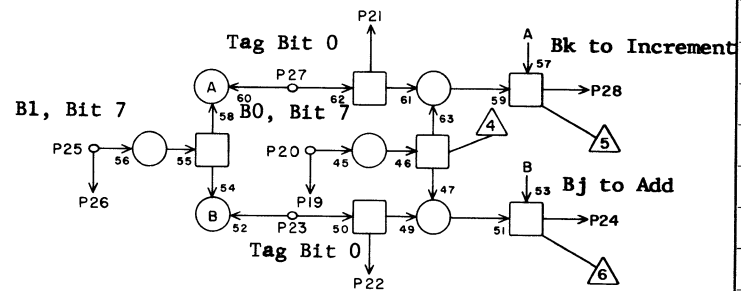
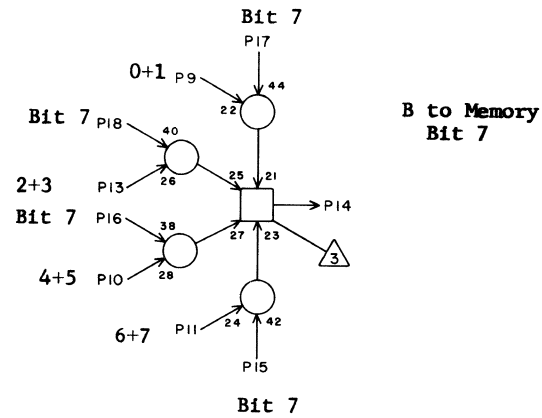
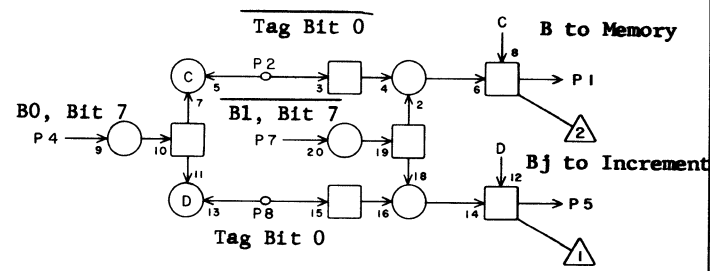


RH 70 33

1	L29	8	15
2	O34	21	5
3			
4	O33	19	5
5	Q30	17	13
6			
7	O33	26	5
8	O34	22	5
9	N26	8	11
10	O26	8	11
11	O26	21	11
12			
13	N26	21	11
14	F28	8	37
15	Q40	28	15
16	Q30	28	13
17	O33	28	3
18	Q19	28	21
19	O33	4	5
20	L19	7	21
21	O34	2	5
22	O34	8	5
23	Q23	24	17
24	Q19	17	21
25	M19	7	19
26	O33	7	5
27	Q22	4	17
28	O33	17	3

JACK PIN LG

Exit Control  
B Registers



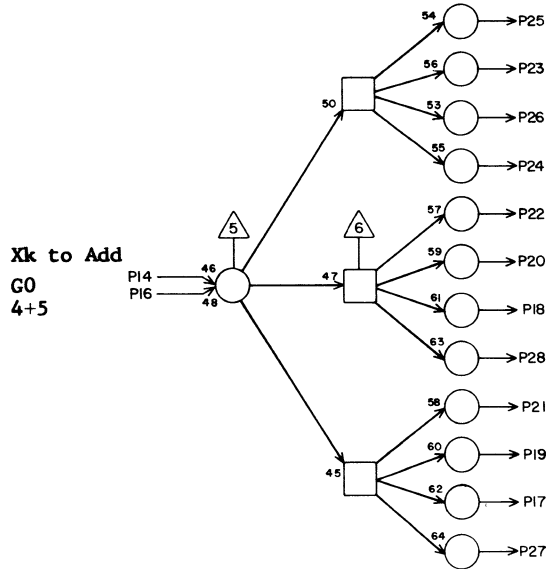
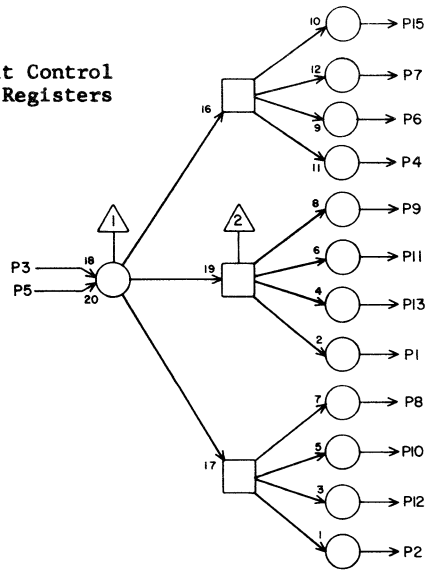
RH 70 34

1	O34	17	3
2	O33	21	5
3			
4	O34	19	5
5	Q20	17	21
6			
7	O34	26	5
8	O33	22	5
9	N26	10	13
10	O26	10	11
11	O26	24	11
12			
13	N26	24	13
14	F28	22	37
15	Q41	1	15
16	Q31	1	13
17	O34	1	3
18	Q20	1	21
19	O34	4	5
20	L19	6	21
21	O33	2	5
22	O33	8	5
23	R33	24	15
24	Q31	17	11
25	M19	6	21
26	O34	7	5
27	R22	4	21
28	L29	22	17

JACK PIN LG

Exit Control  
X Registers

Xk to Add  
GO  
0+1



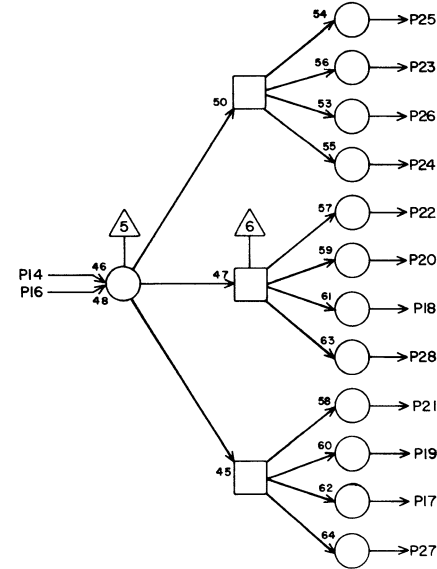
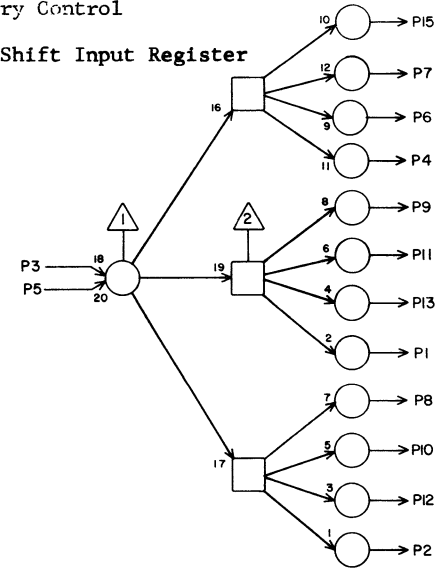
TC 70 35

1	N38	10	7
2	N42	10	11
3	O37	15	5
4	M42	10	15
5	H25	6	33
6	M41	10	15
7	M40	10	13
8	N39	10	11
9	N37	10	9
10	N40	10	11
11	N36	10	9
12	N41	10	11
13	N35	10	9
14	O37	9	5
15	M39	10	13
16	H25	8	33
17	N41	9	11
18	N37	9	9
19	N40	9	11
20	N36	9	9
21	N39	9	11
22	N35	9	7
23	M40	9	13
24	M42	9	15
25	M39	9	13
26	M41	9	15
27	N42	9	13
28	N38	9	9

JACK PIN LG

63017300 Rev. D

Entry Control  
Clear Shift Input Register



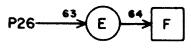
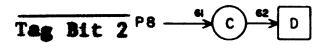
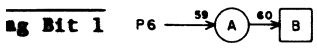
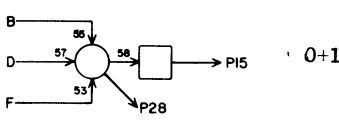
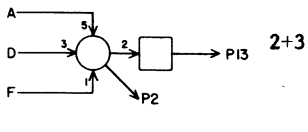
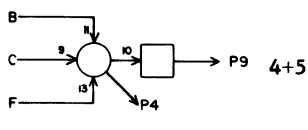
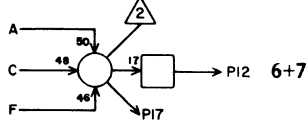
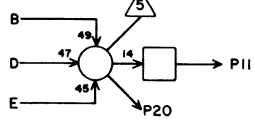
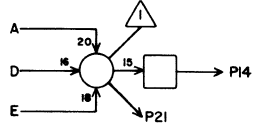
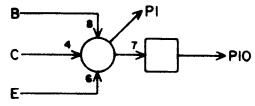
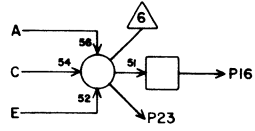
TC 70 36

1	P40	15	9
2			
3	I14	24	33
4	O41	15	9
5	gnd		2
6	O40	15	7
7	O39	15	5
8	P41	15	9
9	O42	15	11
10	P42	15	11
11	P38	15	7
12			
13	P39	15	7
14			
15	O38	15	5
16			
17			
18			
19			
20			
21			
22			
23			
24			
25			
26			
27			
28			

JACK PIN LG

63017300 Rev. D

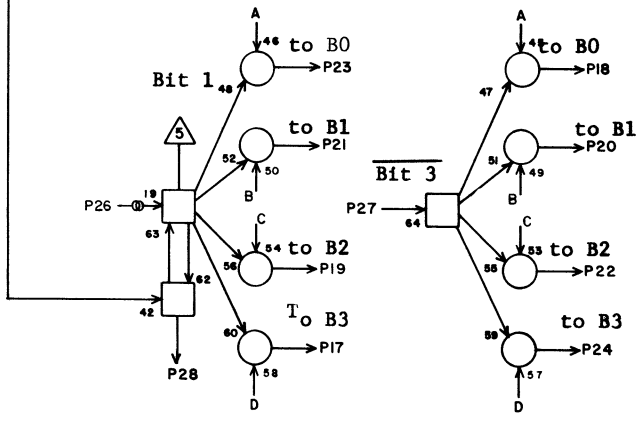
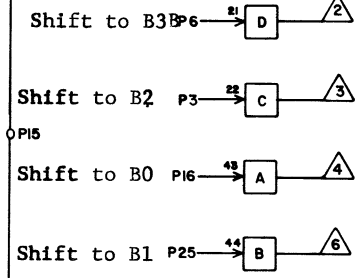
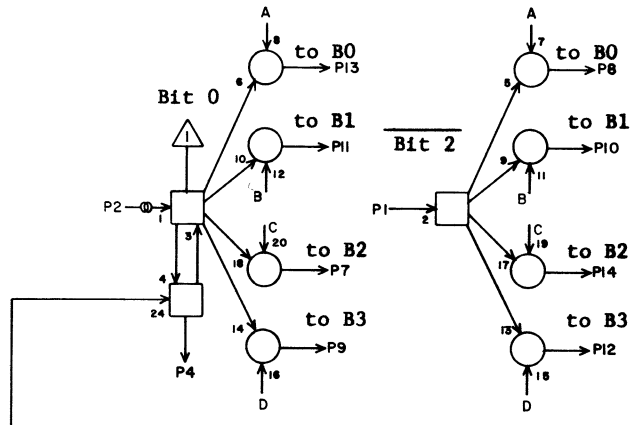
**Exit Control: Trunk  
X Registers  
Xk to Add**



**IV 7037**

1			
2			
3			
4			
5			
6	I26	4	27
7			
8	I26	19	27
9	O35	14	5
10			
11			
12	P35	14	7
13	P35	3	7
14			
15	O35	3	5
16			
17			
18			
19			
20			
21			
22			
23			
24			
25			
26	GND		2
27			
28			
	JACK	PIN	LG

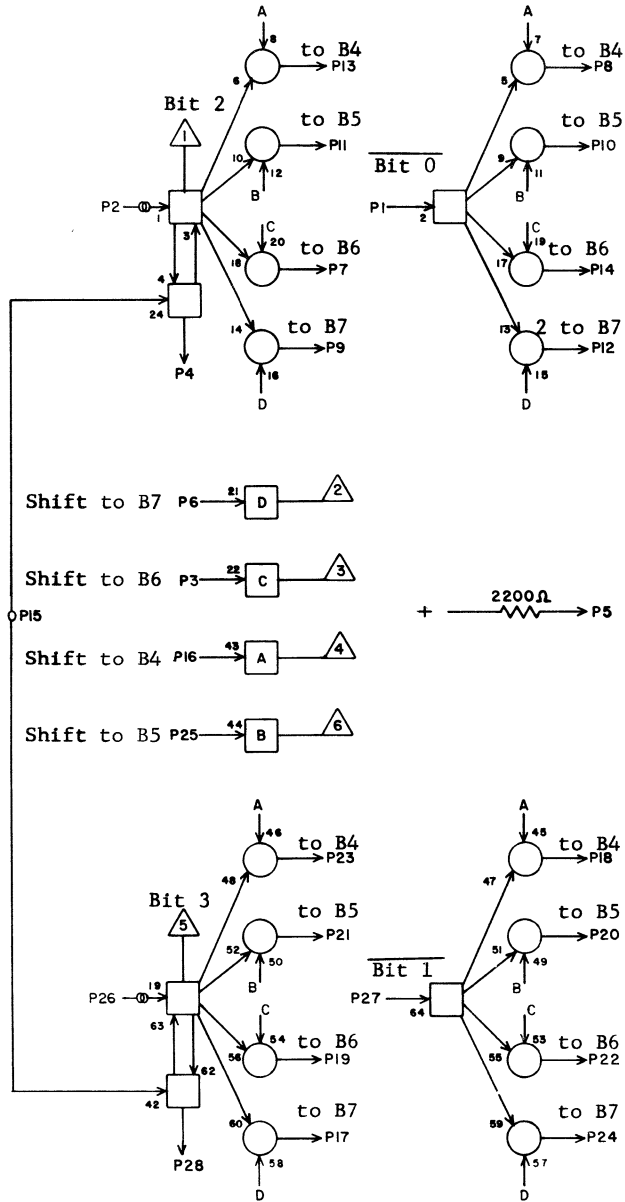
**Entry Control: Trunk  
Shift to B**



**RA 7038**

1	O39	4	3
2	W31	90	
3	P36	16	9
4	O39	1	3
5			
6	P36	15	9
7	N16	10	23
8	L17	10	25
9	O16	10	23
10	M17	10	25
11	M16	10	25
12	O17	10	21
13	L16	10	27
14	N17	10	23
15	O36	15	5
16	P36	6	9
17	O16	2	23
18	L17	2	25
19	N16	2	23
20	M17	2	25
21	M16	2	25
22	N17	2	25
23	L16	2	27
24	O17	2	21
25	P36	5	9
26	W31	91	
27	O39	28	3
28	O39	27	3
	JACK	PIN	LG

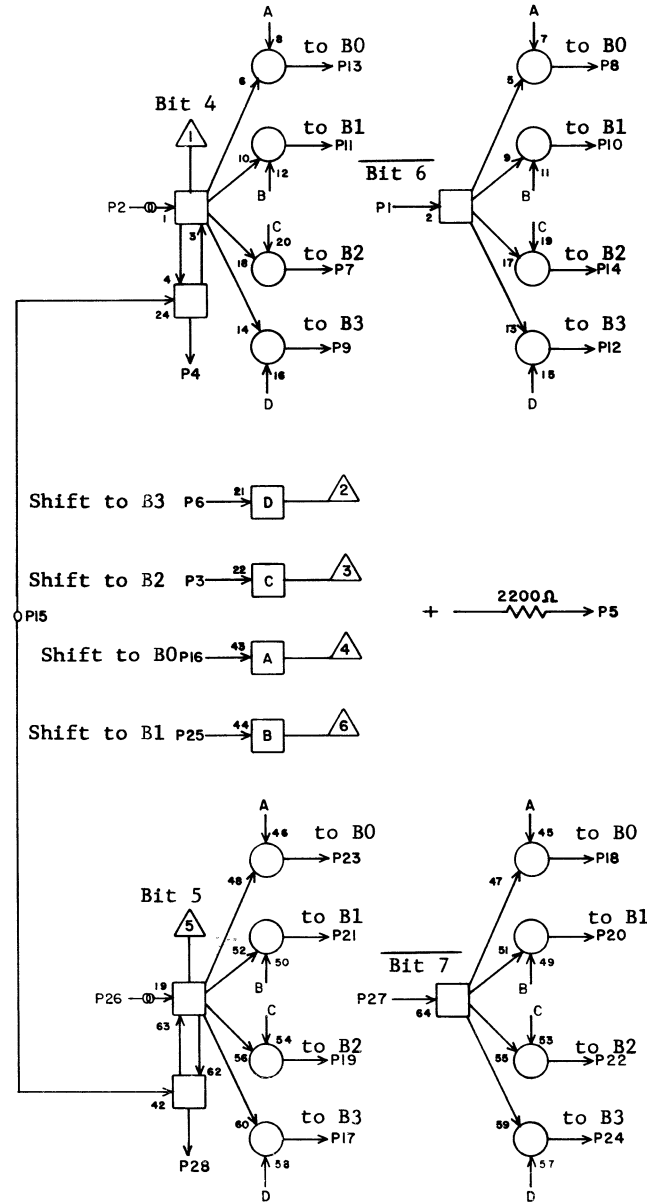
Entry Control: Trunk  
Shift to B



RA		70 39	
JACK	PIN	LG	
1	O38	4	3
2	W31	92	
3	P37	16	7
4	O38	1	3
5			
6	P37	15	7
7	R 7	2	35
8	R 1	13	37
9	R10	2	31
10	R 4	13	35
11	R 4	2	35
12	R10	13	31
13	R 1	2	37
14	R 7	13	35
15	O36	7	5
16	P37	6	7
17	R10	12	31
18	R 1	10	37
19	R 7	12	33
20	R 4	10	35
21	R 4	12	35
22	R 7	10	33
23	R 1	12	37
24	R10	10	31
25	P37	5	5
26	W31	93	
27	O38	28	
28	O38	27	

63017300 Rev. D

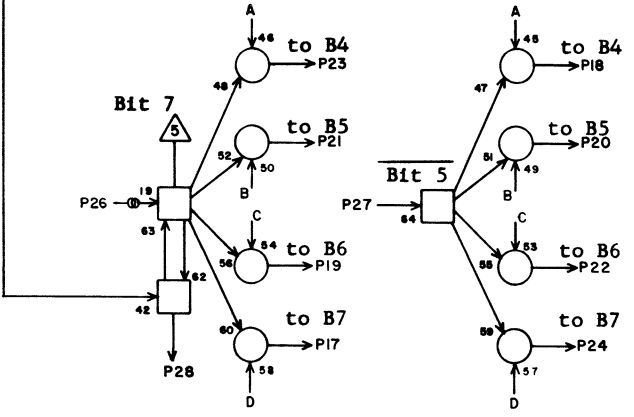
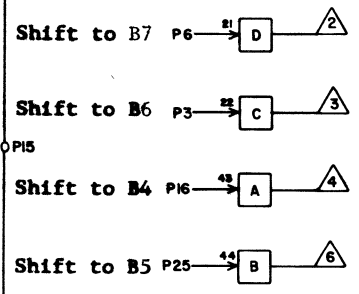
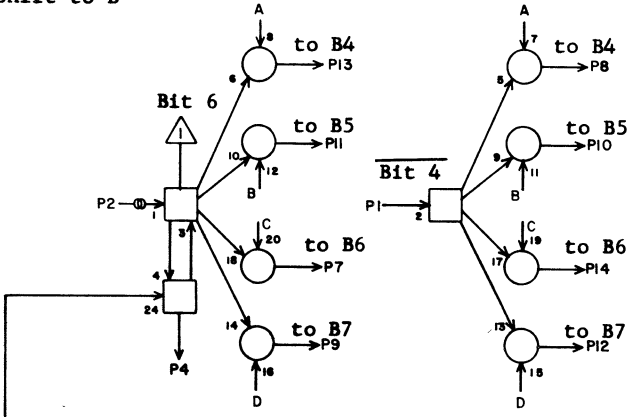
Entry Control: Trunk  
Shift to B



RA		70 40	
JACK	PIN	LG	
1	O41	4	3
2	W31	94	
3	P36	18	9
4	O41	1	3
5			
6	P36	17	9
7	N18	10	23
8	L19	10	25
9	O18	10	23
10	M19	10	25
11	M18	10	25
12	O19	10	23
13	L18	10	27
14	N19	10	23
15	O36	6	7
16	P36	8	9
17	O18	2	23
18	L19	2	25
19	N18	2	23
20	M19	2	25
21	M18	2	25
22	N19	2	23
23	L18	2	27
24	O19	2	23
25	P36	7	9
26	W31	95	
27	O41	28	3
28	O41	27	3

63017300 Rev. D

Entry Control: Trunk  
Shift to B

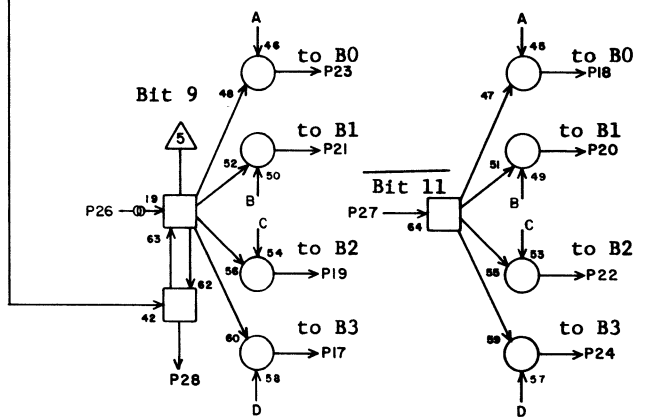
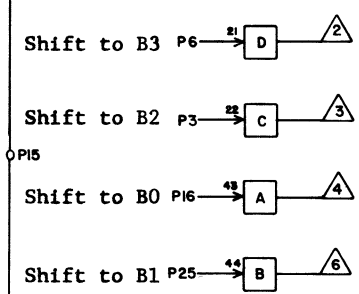
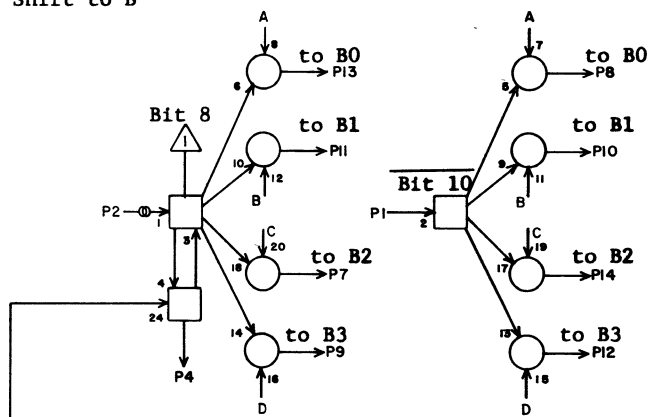


RA 70 41

1	O40	4	3
2	W31	96	
3	P37	18	9
4	O40	1	3
5			
6	P37	17	9
7	R 8	13	33
8	R 1	22	39
9	R11	13	33
10	R 4	22	37
11	R 5	13	35
12	R10	22	33
13	R 2	13	39
14	R 7	22	35
15	O36	4	9
16	P37	8	9
17	R11	10	33
18	R 1	23	39
19	R 8	10	33
20	R 4	23	37
21	R 5	10	35
22	R 7	23	35
23	R 2	10	39
24	R10	23	33
25	P37	7	9
26	W31	97	
27	O40	28	3
28	O40	27	3

JACK PIN LG

Entry Control: Trunk  
Shift to B

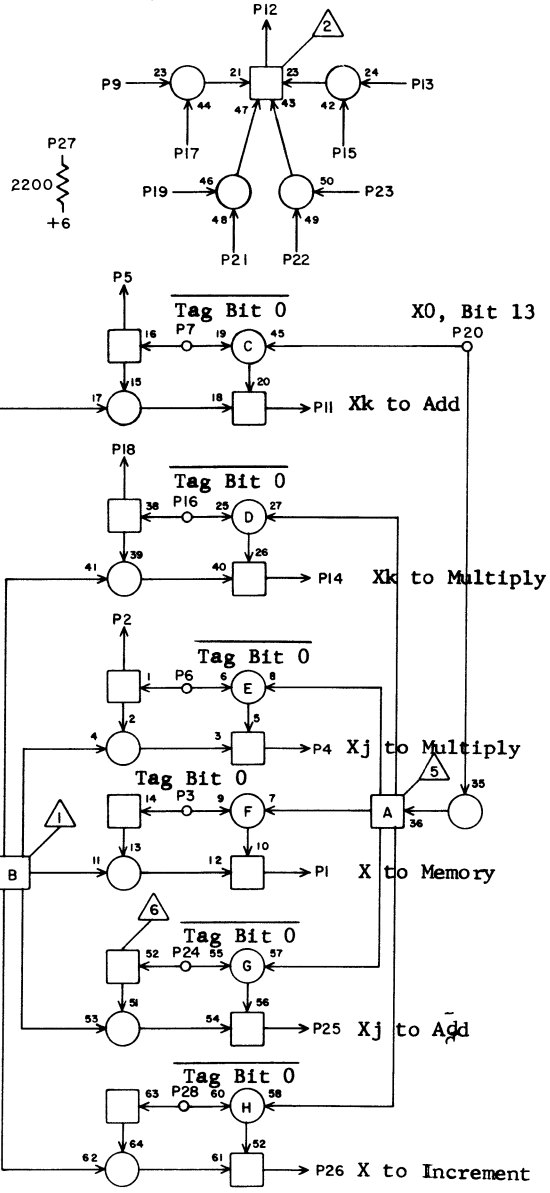


RA 70 42

1	P38	4	9
2	W31	98	
3	P36	20	11
4	P38	1	9
5			
6	P36	19	11
7	N20	10	25
8	L22	10	25
9	O20	10	23
10	M22	10	23
11	M20	10	25
12	O22	10	21
13	L20	10	27
14	N22	10	23
15	O36	9	11
16	P36	10	11
17	O20	2	23
18	L22	2	25
19	N20	2	25
20	M22	2	23
21	M20	2	25
22	N22	2	23
23	L20	2	27
24	O22	2	21
25	P36	9	11
26	W31	99	
27	P38	28	9
28	P38	27	9

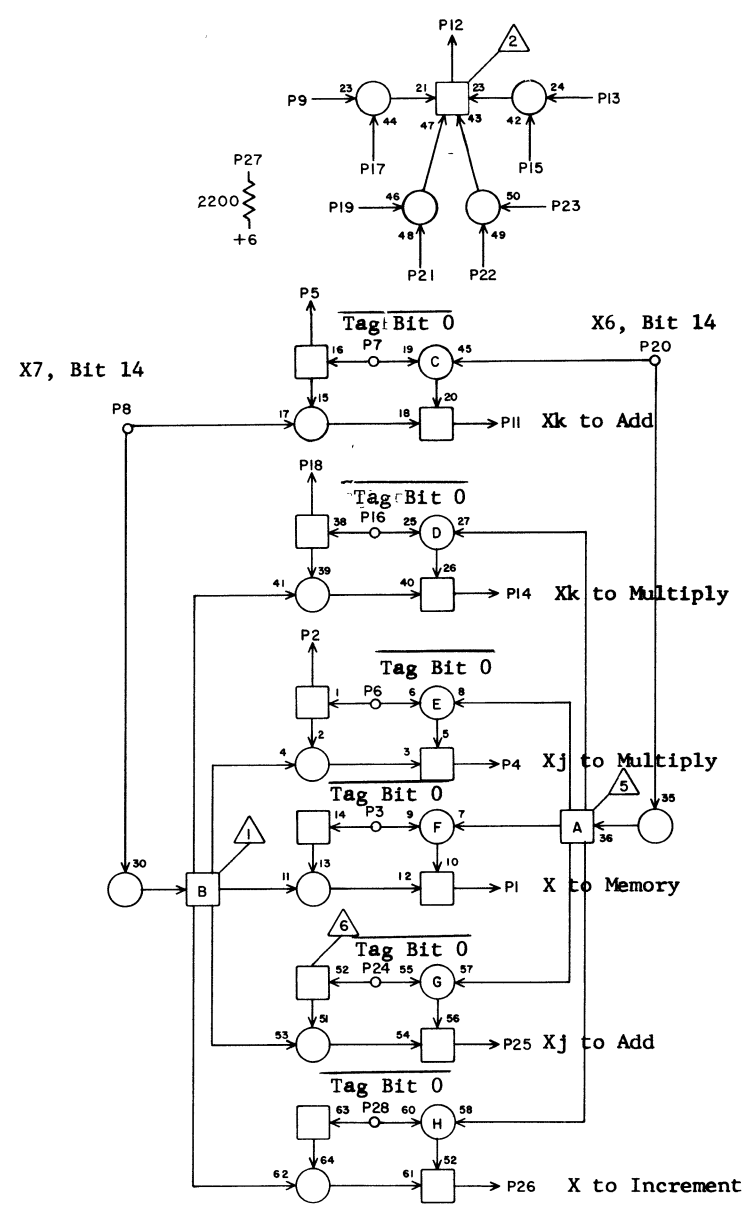
JACK PIN LG

Exit Control: X Registers



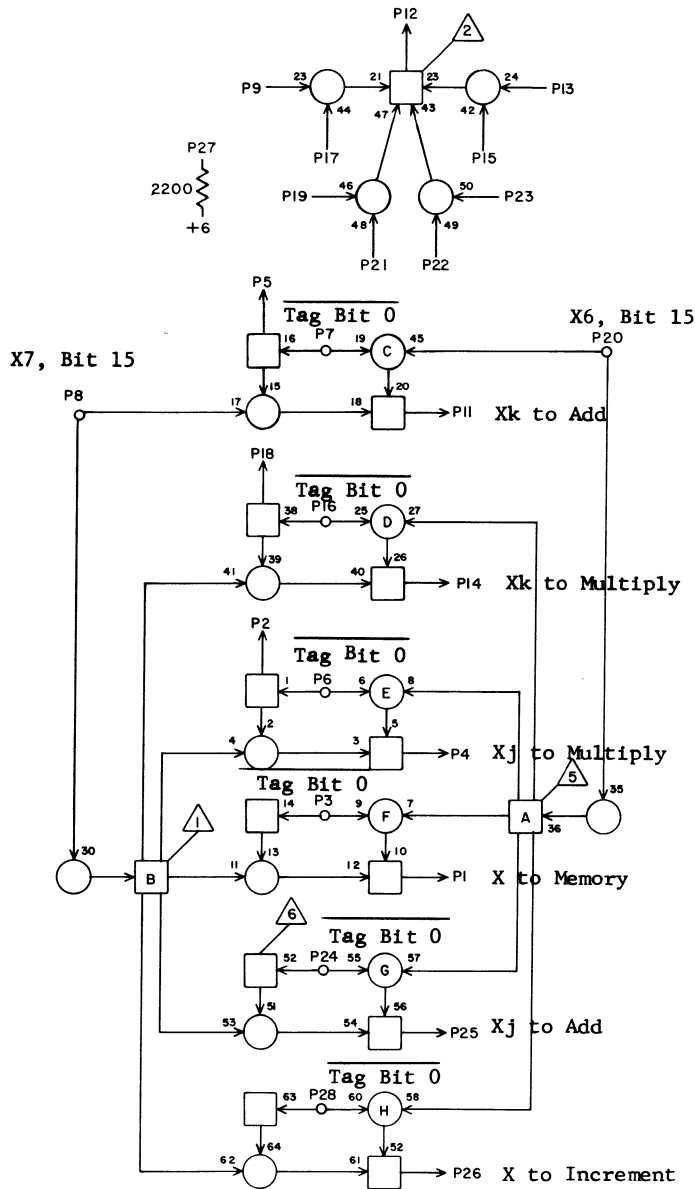
RF			
7P 1			
1	C 5	15	49
2	O 1	28	3
3	O 1	5	7
4	I33	17	39
5	O 1	3	7
6	L14	18	21
7	K14	18	25
8	O19	16	21
9			
10			
11	N35	17	35
12			
13			
14	G33	17	45
15			
16	L14	13	23
17			
18	O 1	24	5
19			
20	N19	16	21
21			
22			
23			
24	O 1	18	7
25	M 2	15	15
26	H 5	15	33
27			
28	O 1	2	9
	JACK	PIN	LG

Exit Control: X Registers



RF			
7P 2			
1	C 6	15	49
2	O 2	28	3
3	O 2	5	7
4	I33	26	41
5	O 2	3	7
6	L14	28	19
7	K14	28	23
8	O19	26	19
9			
10			
11	N35	26	33
12			
13			
14	G33	26	45
15			
16	L14	1	23
17			
18	O 2	24	5
19			
20	N19	26	21
21			
22			
23			
24	O 2	18	7
25	M 3	15	15
26	H 6	15	33
27			
28	O 2	2	9
	JACK	PIN	LG

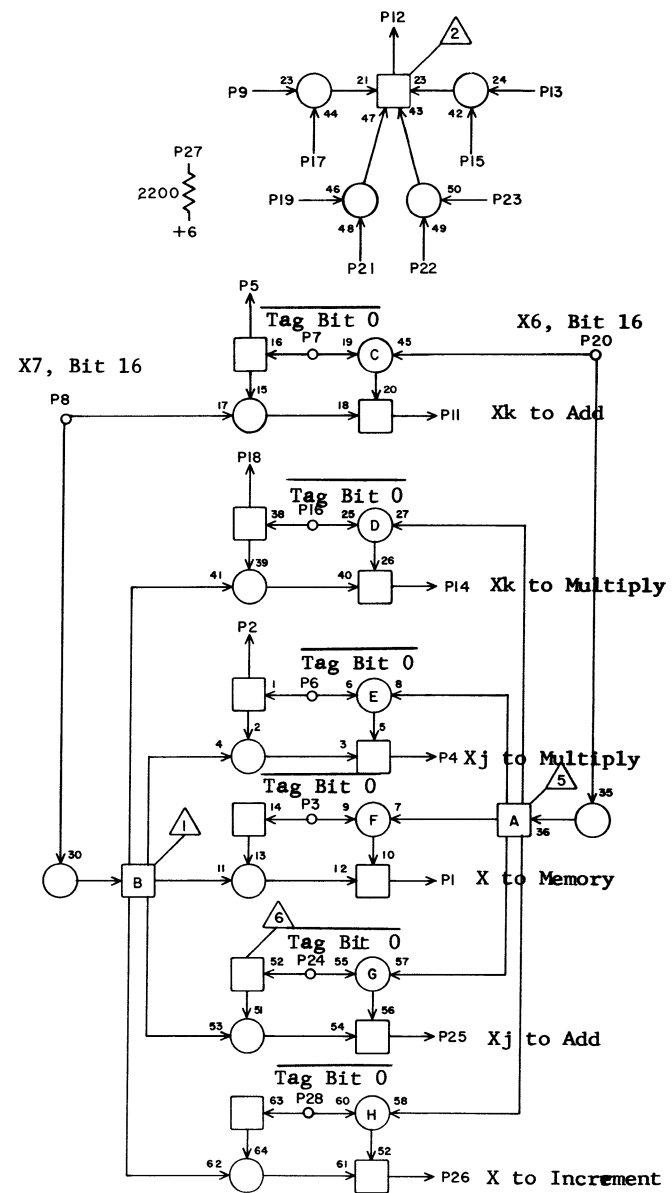
ExitControl: X Registers



RF		7P 3	
1	C 7	15	49
2	O 3	28	3
3	O 3	5	7
4	I34	2	39
5	O 3	3	7
6	L14	21	19
7	K14	21	23
8	O19	27	19
9			
10			
11	N36	2	33
12			
13			
14	G34	2	45
15			
16	L14	8	21
17			
18	O 3	24	5
19			
20	N19	27	21
21			
22			
23			
24	O 3	18	7
25	M 4	15	15
26	H 7	15	33
27			
28	O 3	2	9
	JACK	PIN	LG

63017300 Rev. D

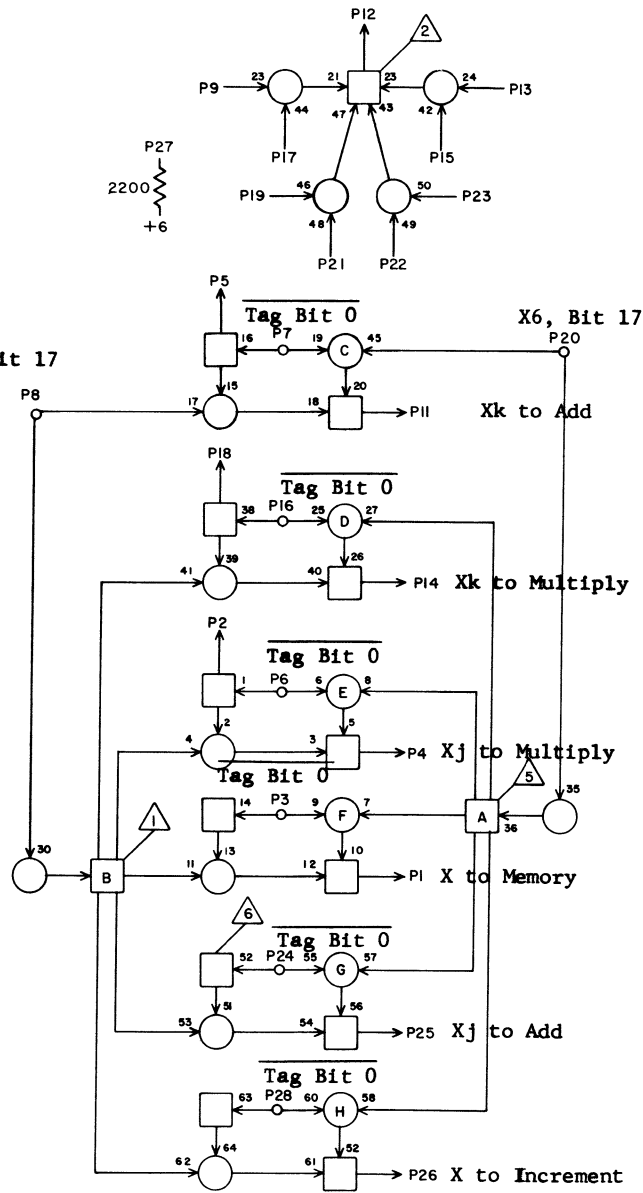
Exit Control: X Registers



RF		7P 4	
1	C 8	15	49
2	O 4	28	3
3	O 4	5	7
4	I34	17	39
5	O 4	3	7
6	L14	19	17
7	K14	19	23
8	O20	11	19
9			
10			
11	N36	17	33
12			
13			
14	G34	17	45
15			
16	L14	10	21
17			
18	O 4	24	5
19			
20	N20	11	21
21			
22			
23			
24	O 4	18	7
25	M 5	15	15
26	H 8	15	33
27			
28	O 4	2	9
	JACK	PIN	LG

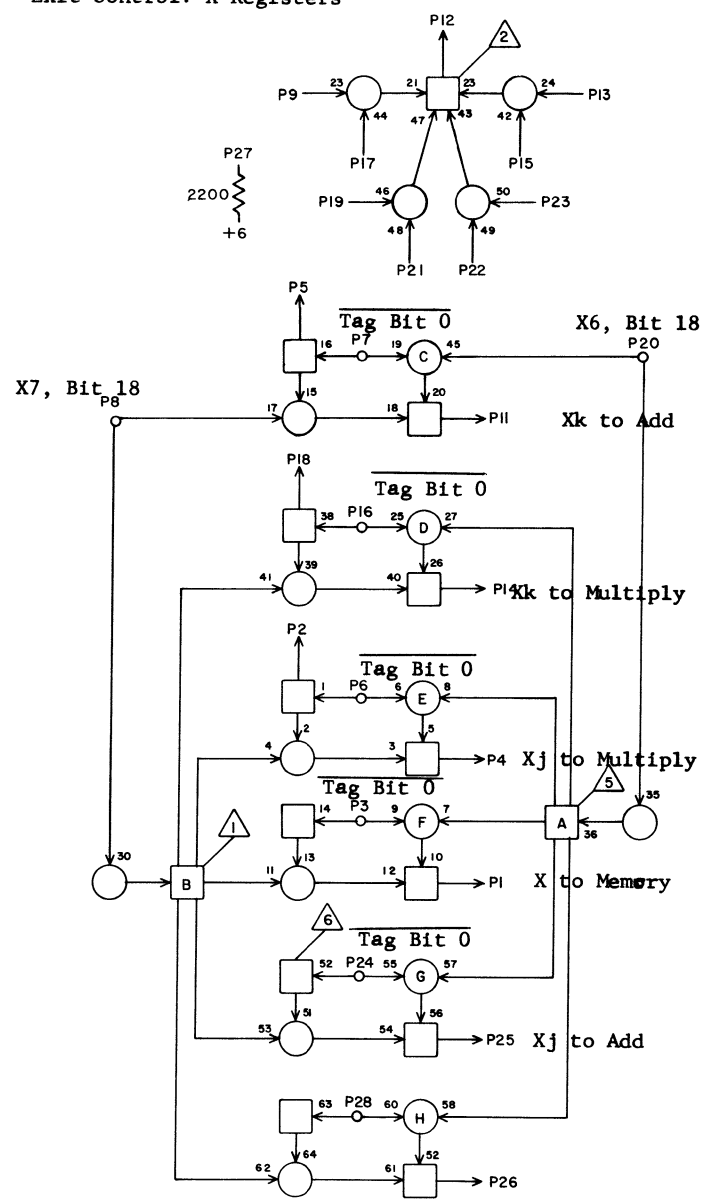
63017300 Rev. D

Exit Control: X Registers



RF		7P 5	
1	C 9	15	49
2	O 5	28	3
3	O 5	5	7
4	I34	26	37
5	O 5	3	7
6	L14	17	19
7	K14	17	23
8	O20	16	17
9			
10			
11	N36	26	33
12			
13			
14	G34	26	43
15			
16	L14	12	21
17			
18	O 5	24	5
19			
20	N20	16	19
21			
22			
23			
24	O 5	18	7
25	M 6	15	15
26	H 9	15	33
27			
28	O 5	2	9
	JACK	PIN	LG

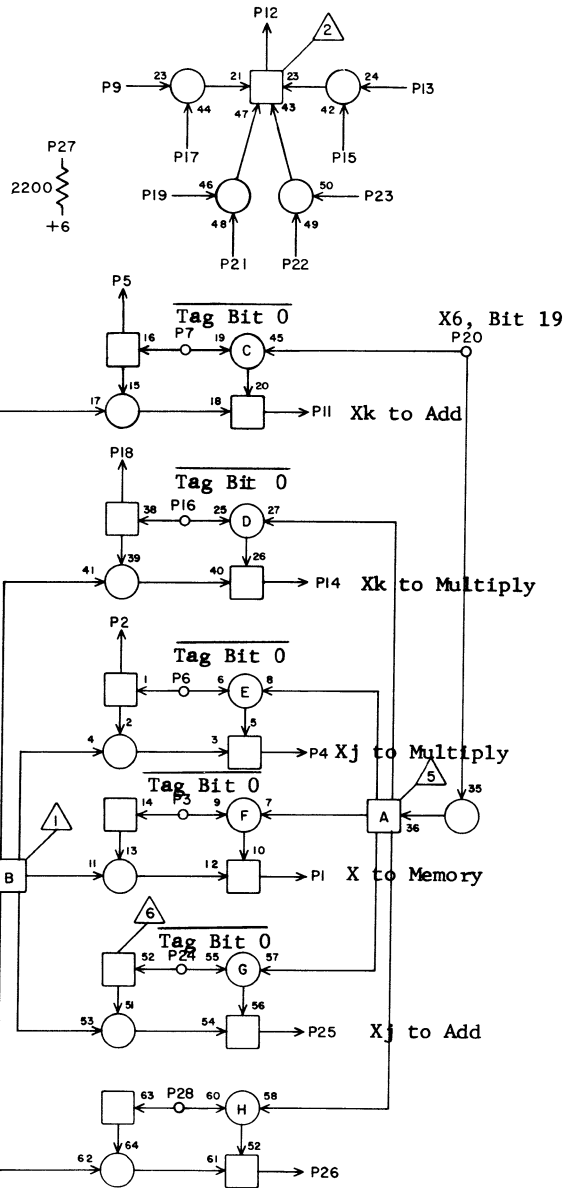
Exit Control: X Registers



RF		7P 6	
1	D 1	15	45
2	O 6	28	3
3	O 6	5	7
4	J29	2	33
5	O 6	3	7
6	L14	27	19
7	K14	27	21
8	O20	26	17
9			
10			
11	N37	2	33
12			
13			
14	H29	2	39
15			
16	L14	2	19
17			
18	O 6	24	5
19			
20	N20	26	17
21			
22			
23			
24	O 6	18	7
25	M 7	15	15
26			
27			
28	O 6	2	9
	JACK	PIN	LG

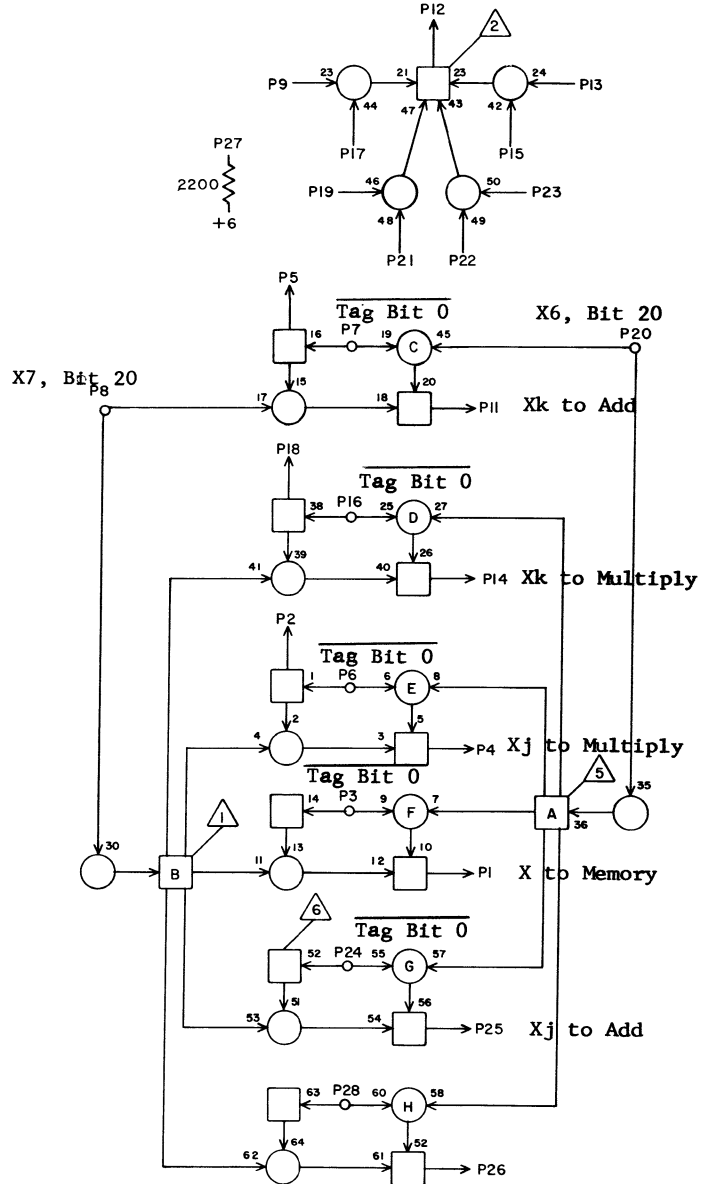


Exit Control: X Registers



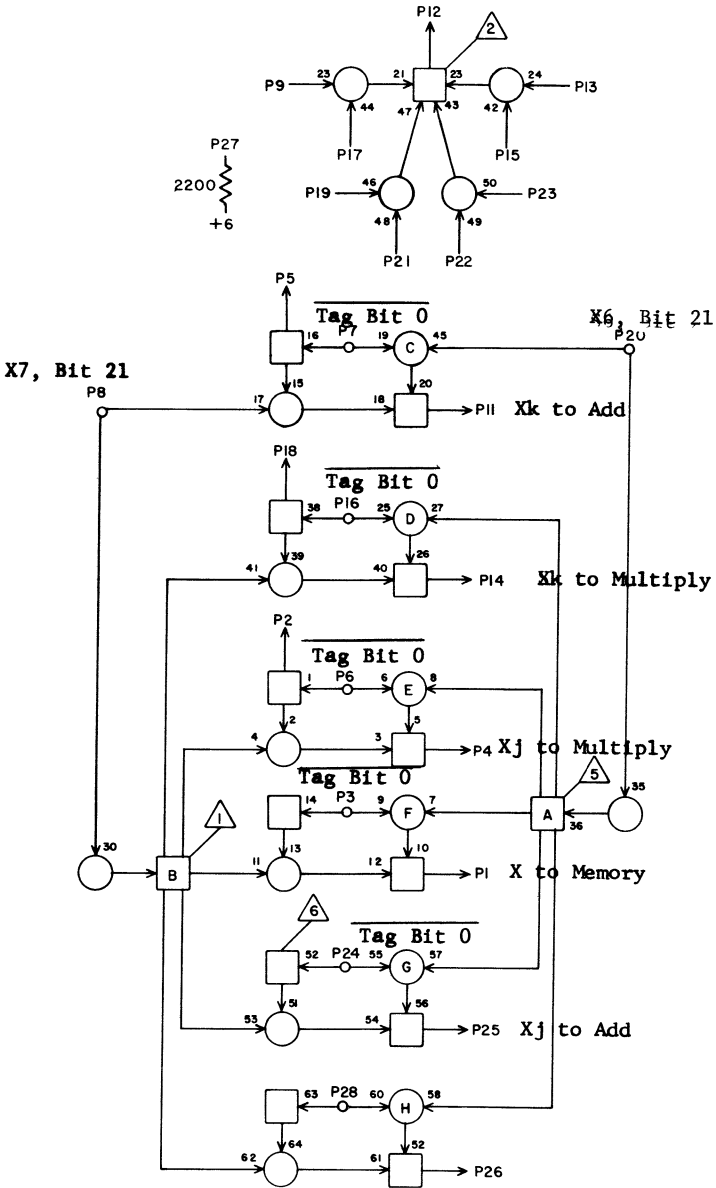
RF		7P 7	
1	D 2	15	45
2	O 7	28	3
3	O 7	5	7
4	J29	17	33
5	O 7	3	7
6	O14	15	11
7	N14	15	13
8	O20	27	15
9			
10			
11	N37	17	31
12			
13			
14	H29	17	37
15			
16	N14	25	13
17			
18	O 7	24	5
19			
20	N20	27	17
21			
22			
23			
24	O 7	18	7
25	M 8	15	15
26			
27			
28	O 7	2	9
	JACK	PIN	LG

Exit Control: X Registers



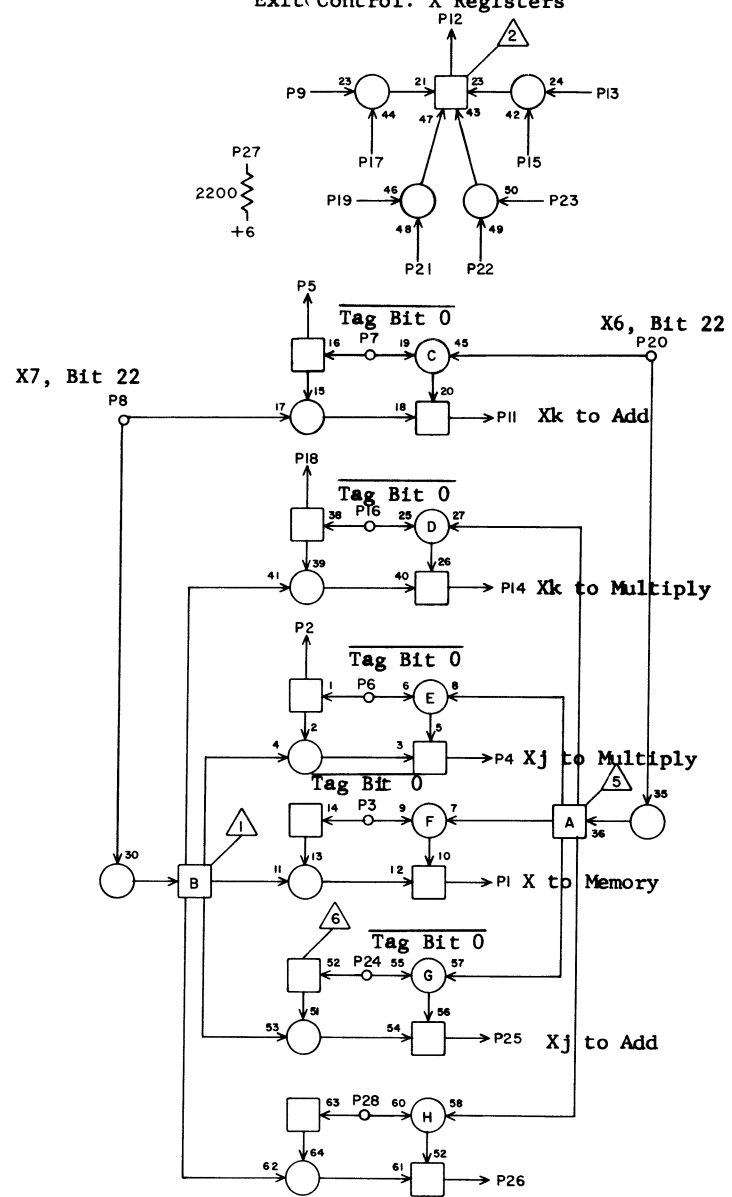
RF		7P 8	
1	D 3	15	45
2	O 8	28	3
3	O 8	5	7
4	J29	26	31
5	O 8	3	7
6	O14	7	9
7	N14	7	13
8	O22	11	17
9			
10			
11	N37	26	29
12			
13			
14	H29	26	37
15			
16	N14	23	13
17			
18	O 8	24	5
19			
20	N22	11	19
21			
22			
23			
24	O 8	18	7
25	M 9	15	15
26			
27			
28	O 8	2	9
	JACK	PIN	LG

Exit Control: X Registers



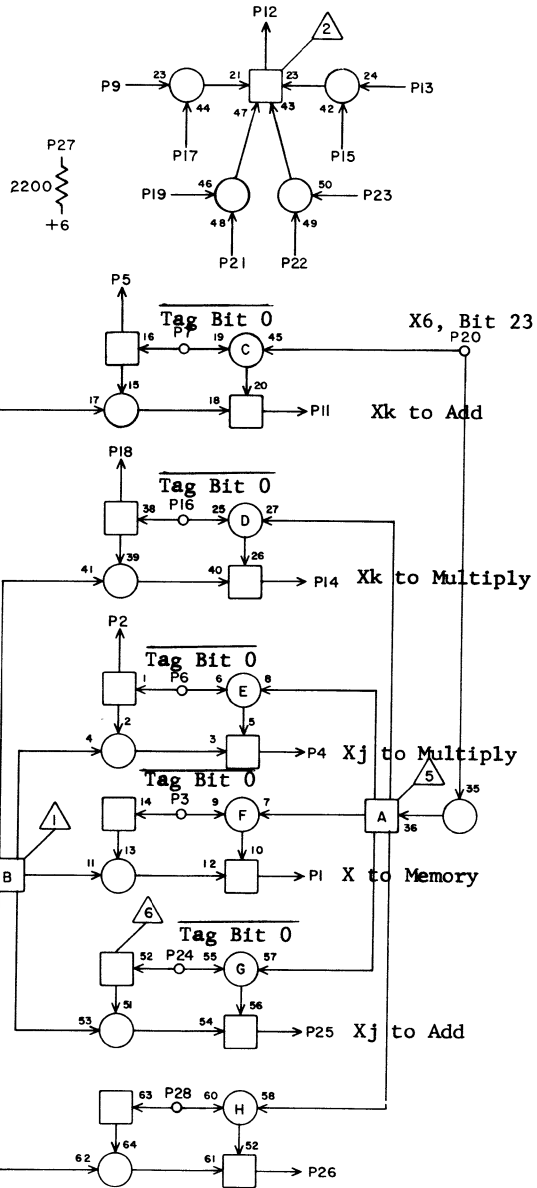
RF		7P 9	
1	D 4	15	47
2	O 9	28	3
3	O 9	5	7
4	J30	2	33
5	O 9	3	7
6	O14	6	9
7	N14	6	11
8	O22	16	15
9			
10			
11	N38	2	31
12			
13			
14	H30	2	37
15			
16	N14	26	11
17			
18	O 9	24	5
19			
20	N22	16	17
21			
22			
23			
24	O 9	18	7
25	M10	15	15
26			
27			
28	O 9	2	9
	JACK	PIN	LG

Exit Control: X Registers



RF		7P 10	
1	D 5	15	47
2	O10	28	3
3	O10	5	7
4	J30	17	31
5	O10	3	7
6	O14	4	9
7	N14	4	11
8	O22	26	15
9			
10			
11	N38	17	29
12			
13			
14	H30	17	37
15			
16	N14	24	11
17			
18	O10	24	5
19			
20	N22	26	17
21			
22			
23			
24	O10	18	7
25	M11	15	15
26			
27			
28	O10	2	9
	JACK	PIN	LG

Exit Control: X Registers



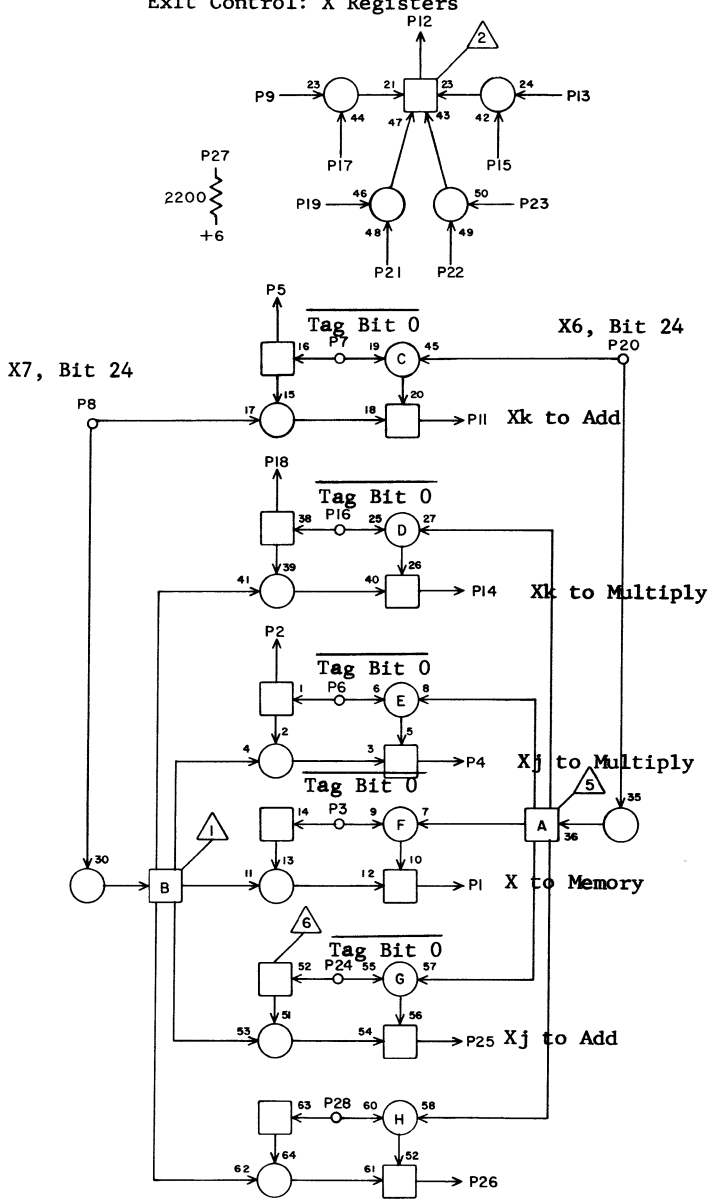
RF 7P 11

	D	LG	LG
1	D 6	15	47
2	O11	28	3
3	O11	5	7
4	J30	26	31
5	O11	3	7
6	O14	9	7
7	N14	9	11
8	O22	27	13
9			
10			
11	N38	26	29
12			
13			
14	H30	26	37
15			
16	N14	22	11
17			
18	O11	24	5
19			
20	N22	27	17
21			
22			
23			
24	O11	18	7
25	M12	15	15
26			
27			
28	O11	2	9

JACK PIN LG

63017300 Rev. D

Exit Control: X Registers



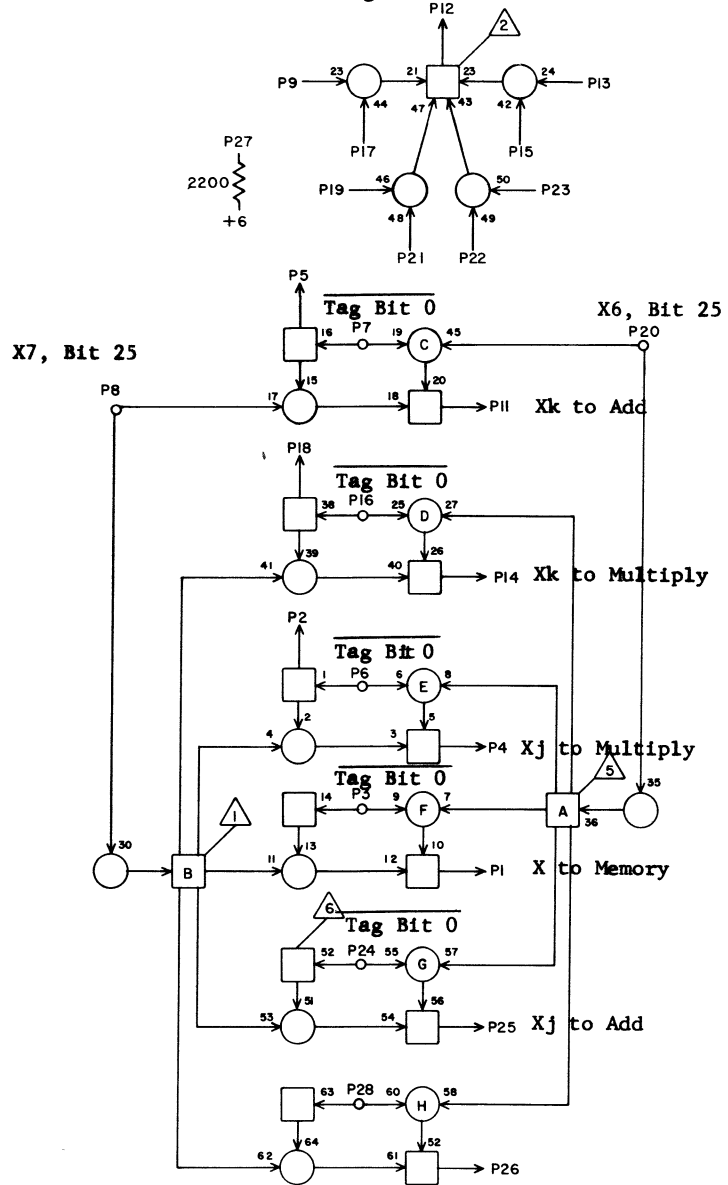
RF 7P 12

	D	LG	LG
1	D 7	15	45
2	O12	28	3
3	O12	5	7
4	J31	2	31
5	O12	3	7
6	O14	11	7
7	N14	11	11
8	O23	11	15
9			
10			
11	N39	2	29
12			
13			
14	H31	2	37
15			
16	N14	20	11
17			
18	O12	24	5
19			
20	N23	11	17
21			
22			
23			
24	O12	18	7
25	N 1	15	17
26			
27			
28	O12	2	9

JACK PIN LG

63017300 Rev. D

Exit Control: X Registers



7P13

RF

7P 13

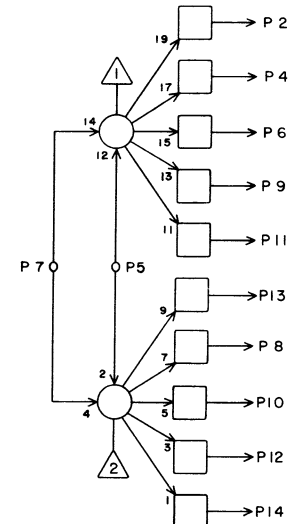
1	D 8	15	45
2	O13	28	3
3	O13	5	7
4	J31	17	29
5	O13	3	7
6	O14	13	5
7	N14	13	11
8	O23	16	13
9			
10			
11	N39	17	27
12			
13			
14	H31	17	37
15			
16	N14	18	11
17			
18	O13	24	5
19			
20	N23	16	15
21			
22			
23			
24	O13	18	7
25	N 2	15	17
26			
27			
28	O13	2	9

JACK PIN LG

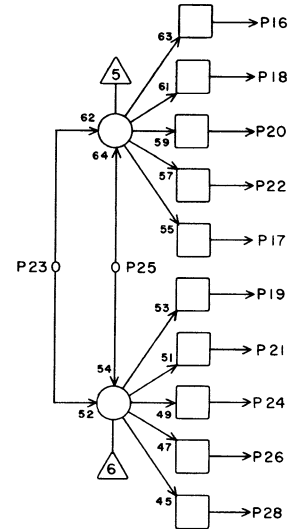
63017300 Rev. D

Exit Control  
Bj to Increment

0+1



2+3



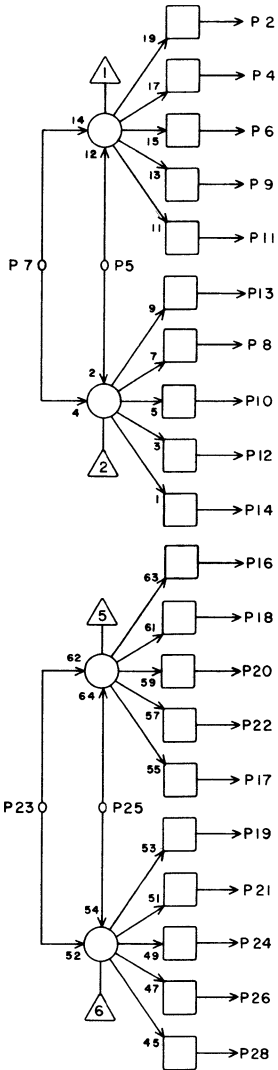
HC

7P 16

1			
2	Q13	9	9
3			
4	Q14	9	9
5	R23	6	15
6	Q15	9	9
7	gnd		2
8	Q19	9	9
9	Q16	9	9
10	Q20	9	9
11	Q17	9	9
12	Q21	9	9
13	Q18	9	9
14	R13	9	11
15			
16	Q13	13	9
17	Q17	13	9
18	Q14	13	9
19	Q18	13	9
20	Q15	13	9
21	Q19	13	9
22	Q16	13	9
23	gnd		2
24	Q20	13	9
25	R23	5	15
26	Q21	13	9
27			
28	R13	13	9

JACK PIN LG

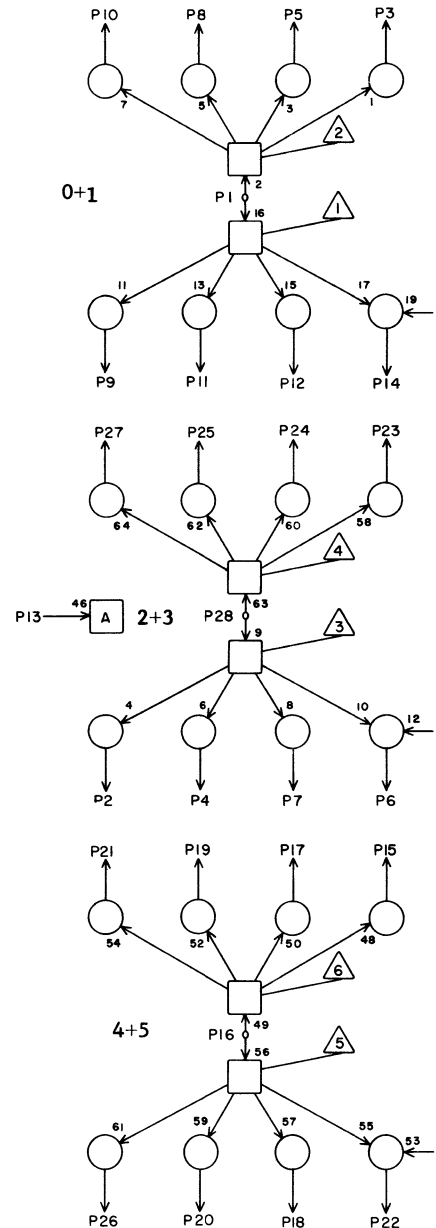
Exit Control  
Bj to Increment



HC 7P 17

1			
2	Q13	10	9
3			
4	Q14	10	9
5	R23	16	15
6	Q15	10	9
7	gnd		2
8	Q19	10	9
9	Q16	10	9
10	Q20	10	9
11	Q17	10	9
12	Q21	10	9
13	Q18	10	9
14	R13	10	11
15			
16	Q13	11	9
17	Q17	11	9
18	Q14	11	9
19	Q18	11	9
20	Q15	11	9
21	Q19	11	9
22	Q16	11	9
23	gnd		2
24	Q20	11	9
25	R23	15	15
26	Q21	11	9
27			
28	R13	11	11
	JACK	PIN	LG

Exit Control  
B to Memory

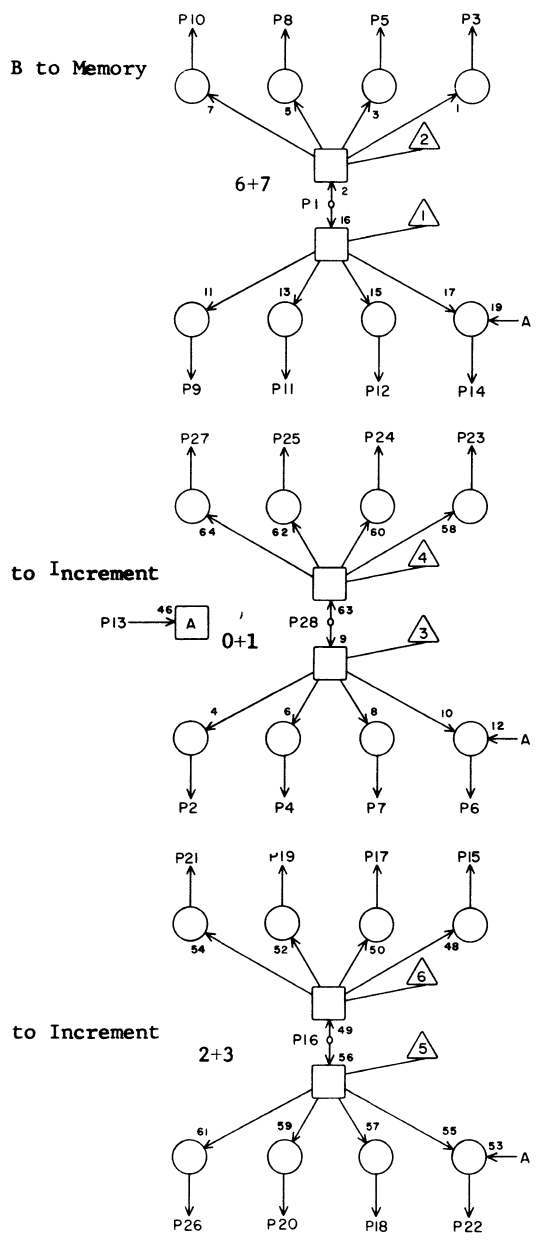


7P18

HF 7P 18

1	K15	12	21
2	P30	13	15
3	P29	9	15
4	P31	13	15
5	P28	9	13
6	P33	13	17
7	P32	13	15
8	P27	9	11
9	P30	9	15
10	P26	9	11
11	P31	9	15
12	P32	9	15
13	P38	5	23
14	P33	9	17
15	P29	10	15
16	K15	20	21
17	P28	10	13
18	P32	10	15
19	P27	10	11
20	P31	10	15
21	P26	10	11
22	P33	10	17
23	P29	13	15
24	P28	13	13
25	P27	13	11
26	P30	10	15
27	P26	13	11
28	K15	11	23
	JACK	PIN	LG

Exit Control

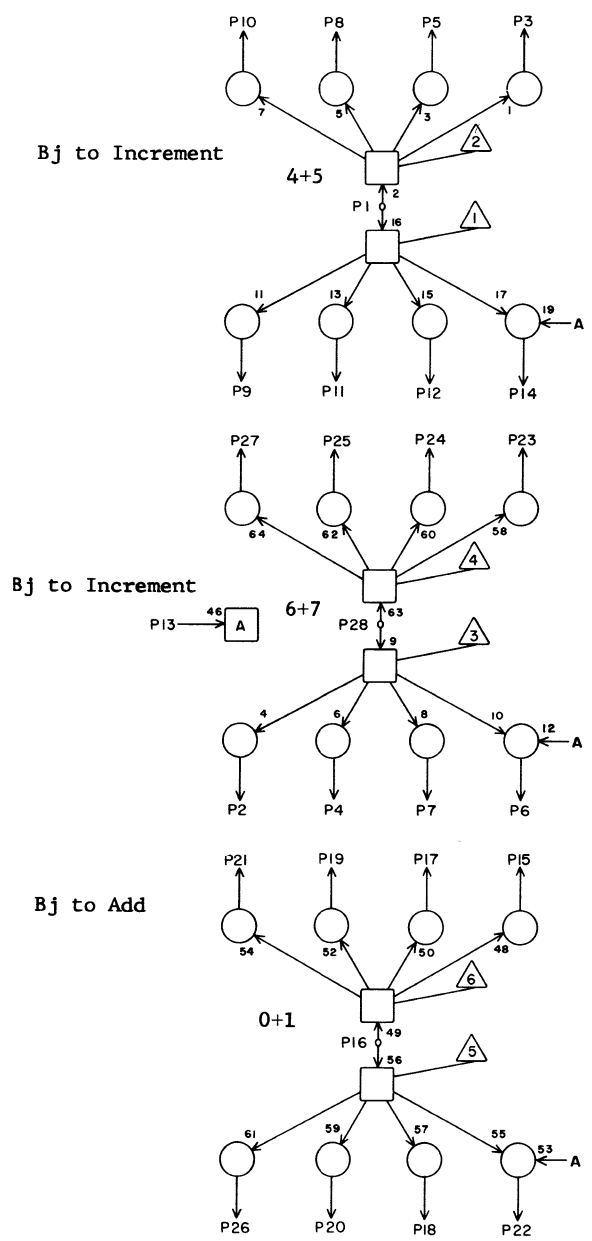


HF 7P 19

1	K15	19	21
2	R18	9	11
3	P29	11	11
4	R19	9	11
5	P28	11	13
6	R21	9	11
7	R20	9	11
8	P27	11	11
9	P30	11	13
10	P26	11	11
11	P31	11	15
12	P32	11	15
13	P39	5	23
14	P33	11	17
15	R17	13	11
16	R23	7	13
17	R16	13	11
18	R20	13	11
19	R15	13	11
20	R19	13	11
21	R14	13	13
22	R21	13	11
23	R17	9	11
24	R16	9	11
25	R15	9	11
26	R18	13	11
27	R14	9	13
28	R23	8	13

JACK PIN LG

Exit Control



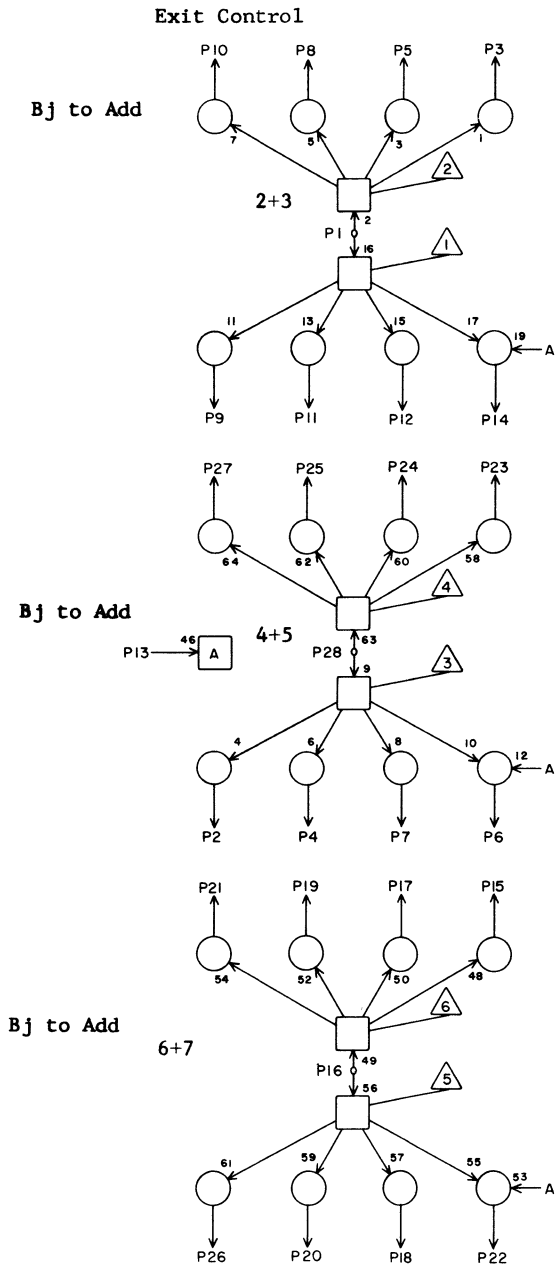
HF 7P 20

1	R23	18	15
2	R18	11	13
3	R17	10	13
4	R19	11	11
5	R16	10	13
6	R21	11	11
7	R20	11	11
8	R15	10	13
9	R18	10	11
10	R14	10	13
11	R19	10	11
12	R20	10	11
13	P40	5	23
14	R21	10	11
15	R28	9	13
16	M26	8	19
17	R27	9	13
18	R31	9	15
19	R26	9	11
20	R30	9	15
21	R25	9	11
22	R32	9	15
23	R17	11	11
24	R16	11	11
25	R15	11	11
26	R29	9	15
27	R14	11	13
28	R23	17	13

JACK PIN LG

HF 7P 21

1	M26	7	15
2	R29	10	15
3	R28	13	13
4	R30	10	15
5	R27	13	13
6	R32	10	15
7	R31	10	15
8	R26	13	11
9	R29	13	15
10	R25	13	11
11	R30	13	15
12	R31	13	15
13	P41	5	23
14	R32	13	15
15	R28	11	13
16	M26	17	19
17	R27	11	13
18	R31	11	15
19	R26	11	11
20	R30	11	15
21	R25	11	11
22	R32	11	15
23	R28	10	13
24	R27	10	13
25	R26	10	11
26	R29	11	15
27	R25	10	11
28	M26	18	17
	JACK	PIN	LG

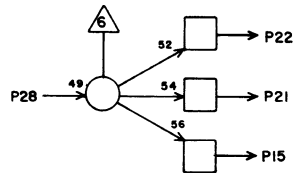
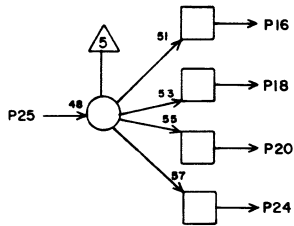
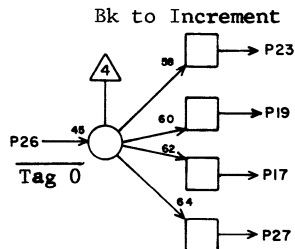
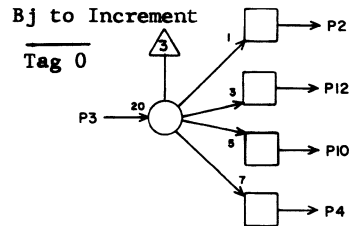
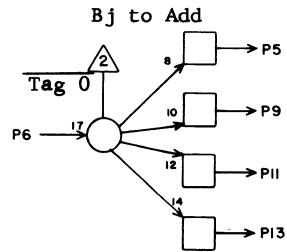
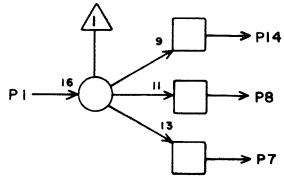


7P21

63017300 Rev. D



Exit Control



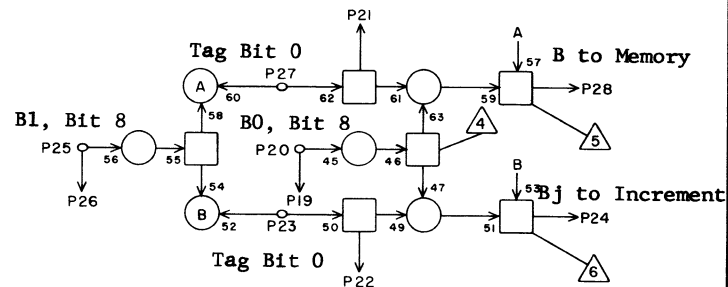
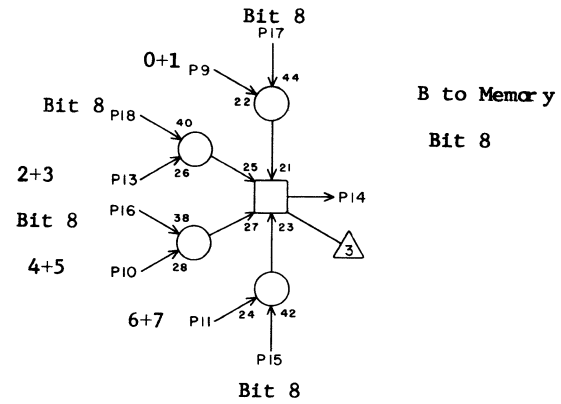
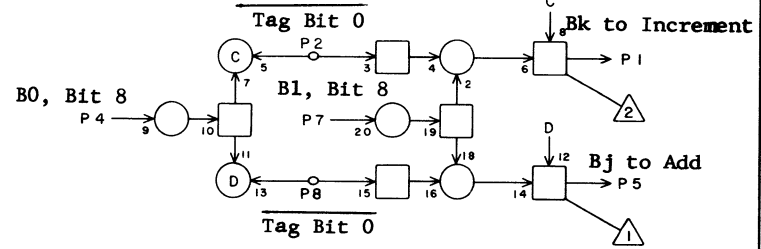
TH 7 P 23

1			
2	Q33	3	15
3	L34	14	21
4			
5	R33	14	15
6	M34	19	19
7			
8			
9	P34	3	15
10	Q23	14	7
11	P34	14	15
12	Q33	14	15
13			
14			
15			
16			
17	R22	14	11
18			
19	R22	3	11
20			
21			
22			
23	R33	3	15
24			
25			
26	L34	27	21
27			
28			

JACK PIN LG

63017300 Rev. D

Exit Control  
B Registers



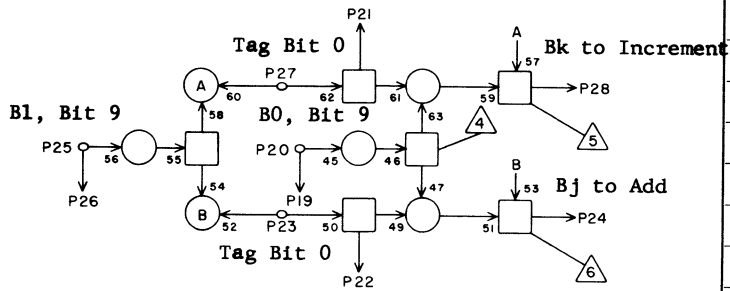
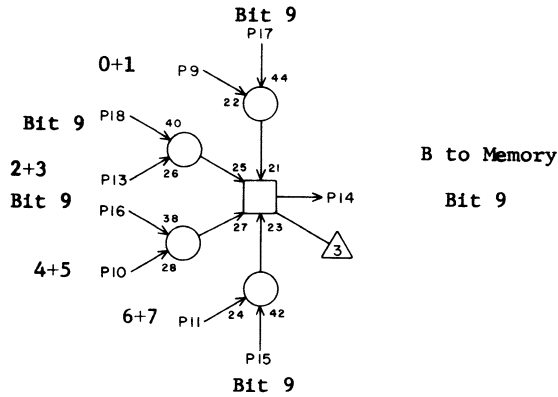
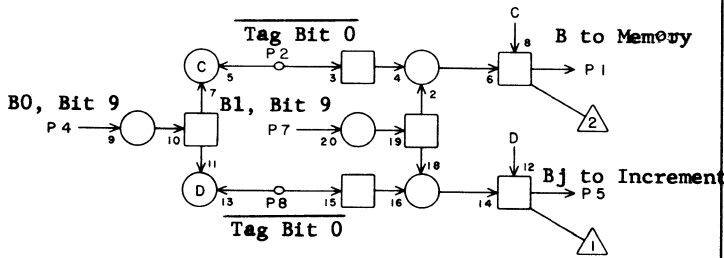
RH 7 P 24

1	L29	24	21
2	P25	21	5
3			
4	P24	19	5
5	Q32	17	13
6			
7	P24	26	5
8	P25	22	5
9	N26	12	11
10	O26	12	9
11	O26	26	9
12			
13	N26	26	11
14	F28	24	41
15	Q42	28	23
16	Q32	28	13
17	P24	28	5
18	Q21	28	9
19	P24	4	5
20	L20	7	19
21	P25	2	5
22	P25	8	5
23	Q23	22	9
24	Q21	17	9
25	M20	7	17
26	P24	7	5
27	Q22	9	9
28	P24	17	5

JACK PIN LG

63017300 Rev. D

Exit Control  
B Registers

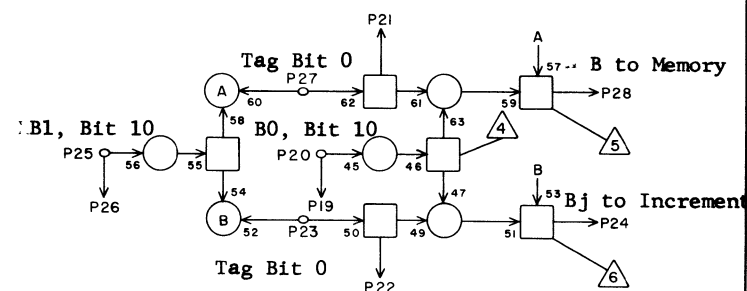
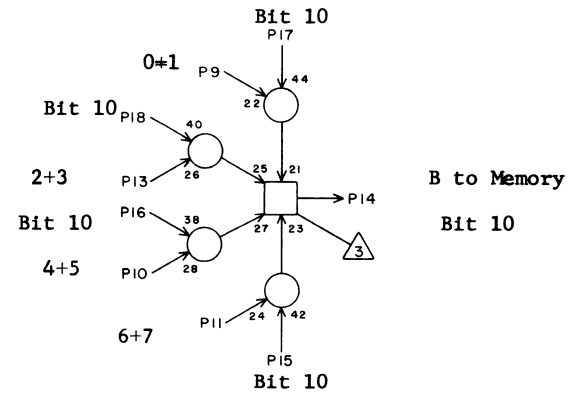
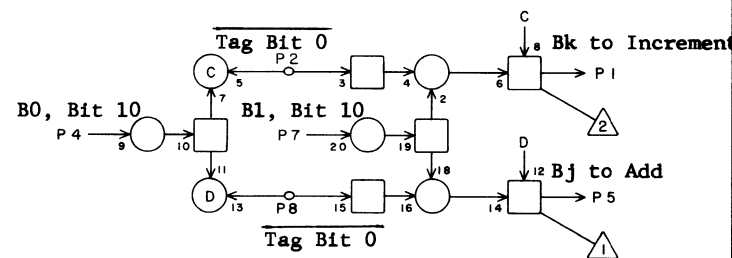


RH 7P 25

1	P25	17	(15)
2	P24	21	5
3			
4	P25	19	5
5	R13	17	17
6			
7	P25	26	5
8	P24	22	5
9	N26	14	11
10	O26	14	5
11	O26	28	7
12			
13	N26	28	11
14	F29	8	41
15	R34	1	15
16	R24	1	11
17	P25	1	5
18	R13	1	17
19	P25	4	5
20	L20	6	21
21	P24	2	5
22	P24	8	5
23	R33	22	15
24	R24	17	11
25	M20	6	19
26	P25	7	5
27	R22	9	11
28	L30	8	21

JACK PIN LG

Exit Control  
B Registers

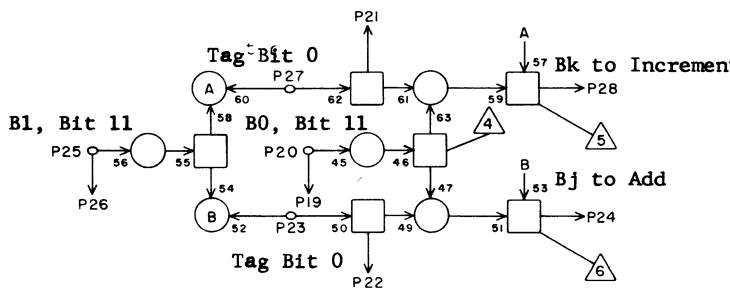
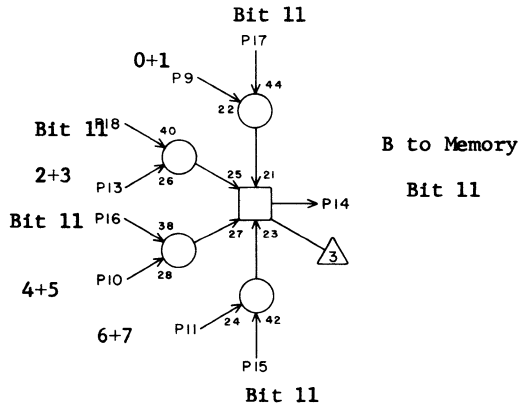
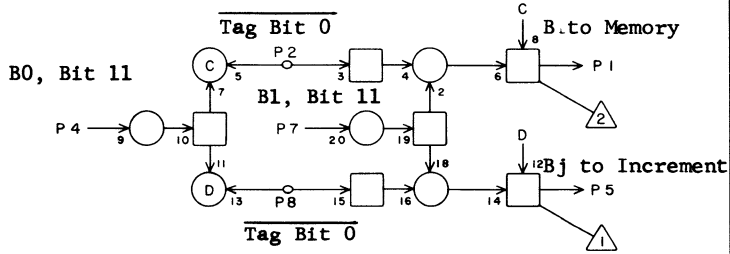


RH 7P 26

1	L30	22	17
2	P27	21	5
3			
4	P26	19	5
5	R25	17	13
6			
7	P26	26	5
8	P27	22	5
9	P18	10	11
10	P18	21	11
11	P19	10	11
12			
13	P18	27	11
14	F29	22	41
15	R35	28	15
16	R25	28	13
17	P26	28	5
18	R14	28	17
19	P26	4	5
20	L22	7	19
21	P27	2	5
22	P27	8	5
23	Q23	20	9
24	R14	17	17
25	M22	7	17
26	P26	7	5
27	Q22	11	11
28	P26	17	5

JACK PIN LG

Exit Control  
B Registers



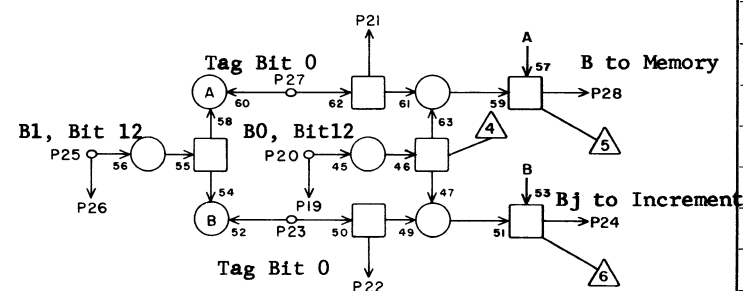
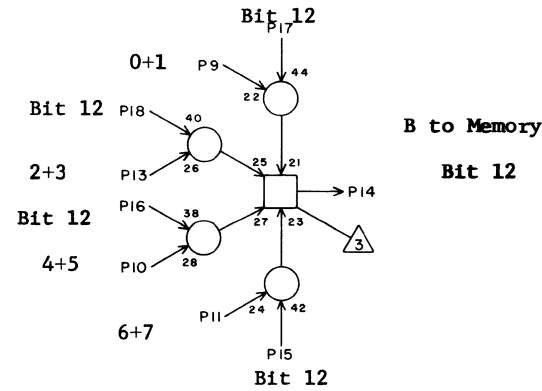
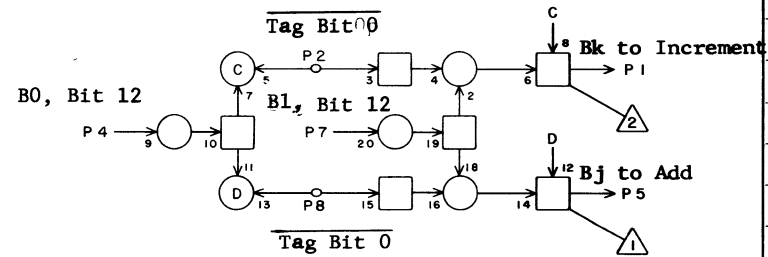
RH 7P 27

1	P27	17	5
2	P26	21	5
3			
4	P27	19	5
5	R15	17	17
6			
7	P27	26	5
8	P26	22	5
9	P18	8	11
10	P18	19	11
11	P19	8	11
12			
13	P18	25	11
14	P29	24	41
15	R36	1	13
16	R26	1	11
17	P27	1	5
18	R15	1	15
19	P27	4	5
20	L22	6	21
21	P26	2	5
22	P26	8	5
23	R33	20	13
24	R26	17	11
25	M22	6	19
26	P27	7	5
27	R22	11	13
28	L30	24	21

JACK PIN LG

RH 7P 28

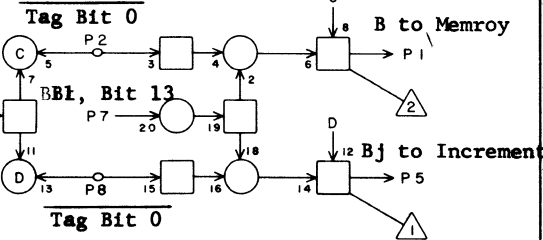
Exit Control  
B Registers



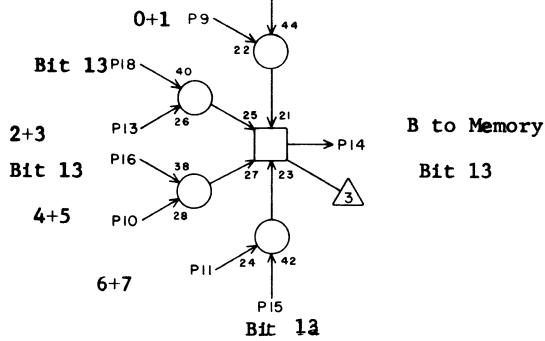
1	L31	8	17
2	P29	21	5
3			
4	P28	19	5
5	R27	17	13
6			
7	P28	26	5
8	P29	22	5
9	P18	5	13
10	P18	17	13
11	P19	5	13
12			
13	P18	24	13
14	F30	8	41
15	R37	28	15
16	R27	28	13
17	P28	28	5
18	R16	28	17
19	P28	4	5
20	L23	7	21
21	P29	2	5
22	P29	8	5
23	Q23	18	9
24	R16	17	17
25	M23	7	19
26	P28	7	5
27	Q22	13	9
28	P28	17	5

JACK PIN LG

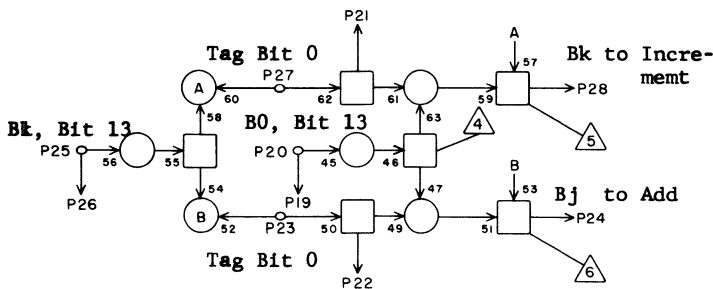
Exit Control  
B Registers



Bit 13



B to Memory  
Bit 13

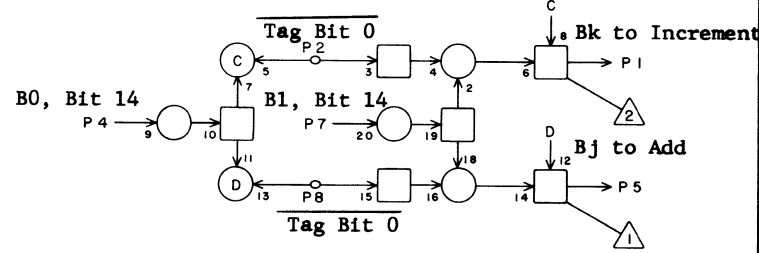


RH 7P 29

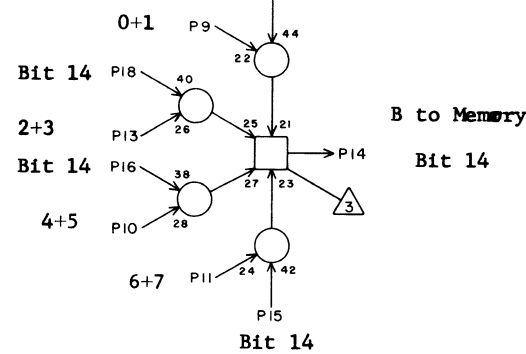
1	P29	17	5
2	P28	21	5
3			
4	P29	19	5
5	R17	17	17
6			
7	P29	26	5
8	P28	22	5
9	P18	3	15
10	P18	15	15
11	P19	3	11
12			
13	P18	23	15
14	F30	22	41
15	R38	1	13
16	R28	1	11
17	P29	1	5
18	R17	1	15
19	P29	4	5
20	L23	6	21
21	P28	2	5
22	P28	8	5
23	R33	18	13
24	R28	17	11
25	M23	6	19
26	P29	7	5
27	R22	13	13
28	L31	22	19

JACK PIN LG

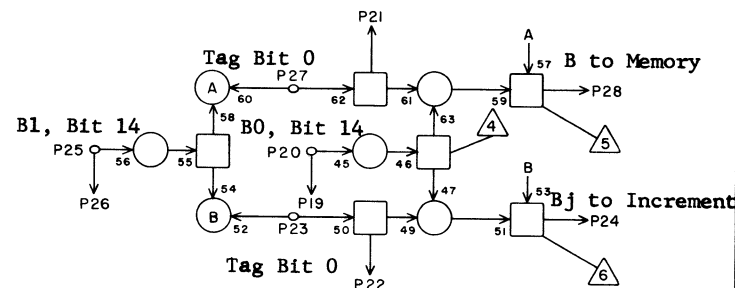
Exit Control  
B Registers



Bit 14



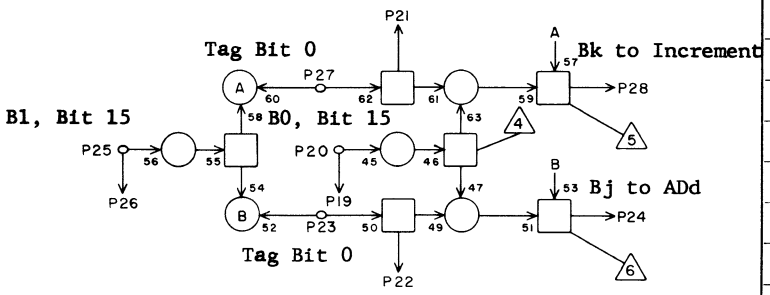
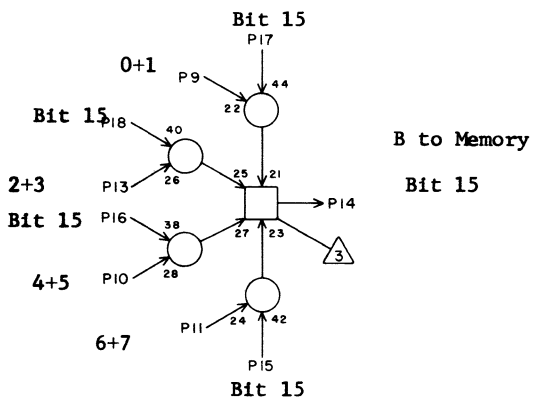
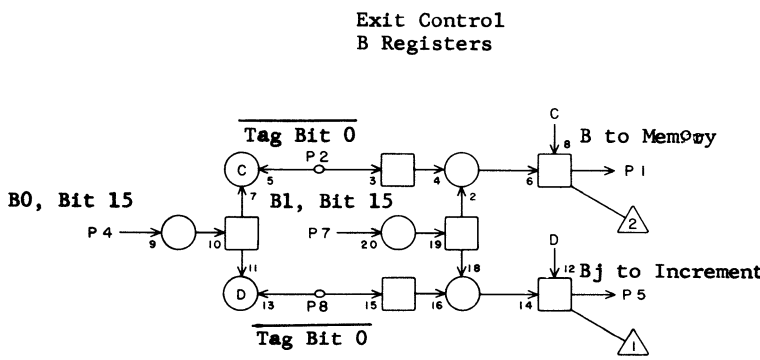
B to Memory  
Bit 14



RH 7P 30

1	L31	24	17
2	P31	21	5
3			
4	P30	19	5
5	R29	17	13
6			
7	P30	26	5
8	P31	22	5
9	P18	9	15
10	P18	26	15
11	P19	9	13
12			
13	P18	2	15
14	F30	24	41
15	R39	28	15
16	R29	28	11
17	P30	28	5
18	R18	28	17
19	P30	4	5
20	L24	7	21
21	P31	2	5
22	P31	8	5
23	Q23	28	11
24	R18	17	17
25	M24	7	19
26	P30	7	5
27	Q22	1	11
28	P30	17	5

JACK PIN LG

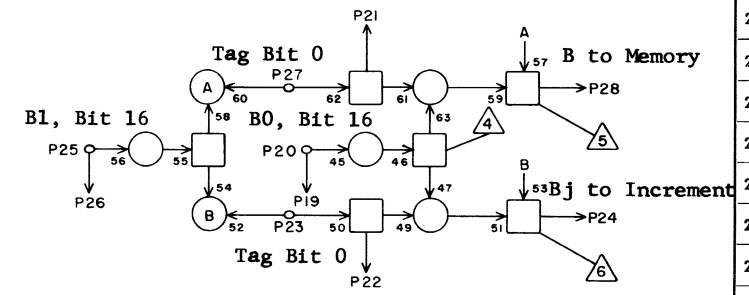
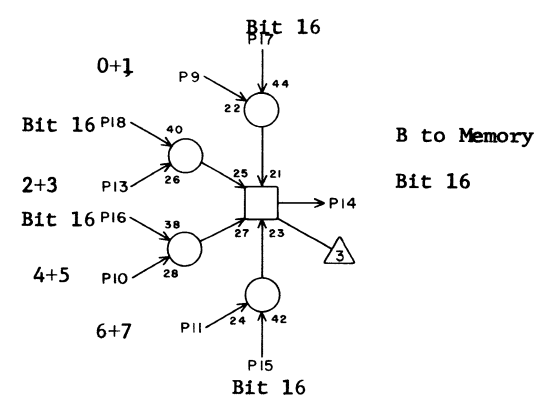
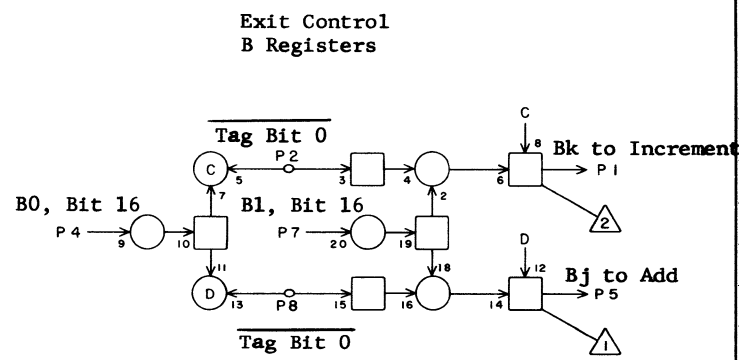


RH 7 P31

1	P31	17	5
2	P30	21	5
3			
4	P31	19	5
5	R19	17	17
6			
7	P31	26	5
8	P30	22	5
9	P18	11	15
10	P18	20	15
11	P19	11	15
12			
13	P18	4	15
14	F31	8	41
15	R40	1	15
16	R30	1	11
17	P31	1	5
18	R19	1	15
19	P31	4	5
20	L24	6	21
21	P30	2	5
22	P30	8	5
23	R33	28	13
24	R30	17	11
25	M24	6	19
26	P31	7	5
27	R22	1	13
28	L32	8	21

JACK PIN LG

RH 7 P 32

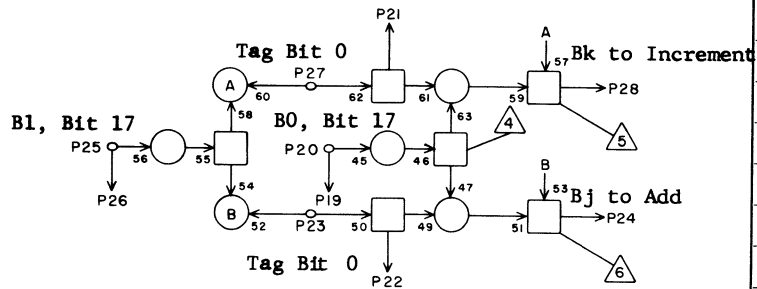
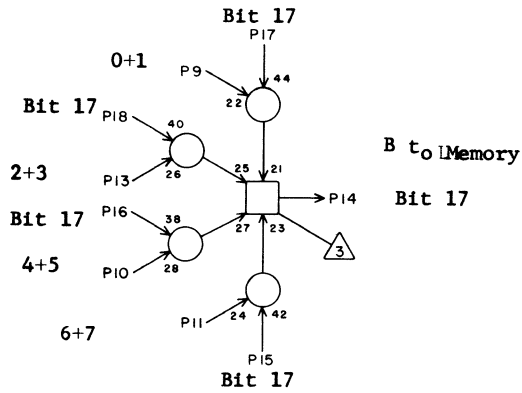
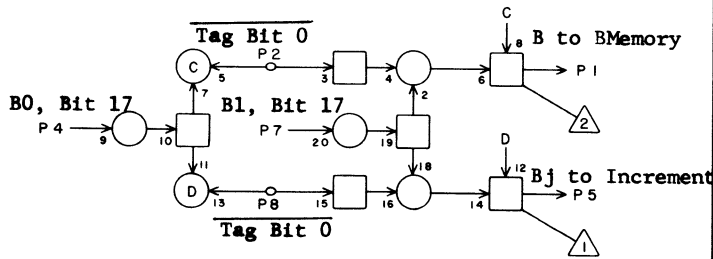


1	L32	22	17
2	P33	21	5
3			
4	P32	19	5
5	R31	17	11
6			
7	P32	26	5
8	P33	22	5
9	P18	12	15
10	P18	18	15
11	P19	12	15
12			
13	P18	7	15
14	F31	22	44
15	R41	28	15
16	R31	28	11
17	P32	28	5
18	R20	28	17
19	P32	4	5
20	L25	7	21
21	P33	2	5
22	P33	8	5
23	Q23	21	13
24	R20	17	17
25	M25	7	19
26	P32	7	5
27	Q22	8	13
28	P32	17	5

JACK PIN LG

RH 7P 33

Exit Control  
B Registers

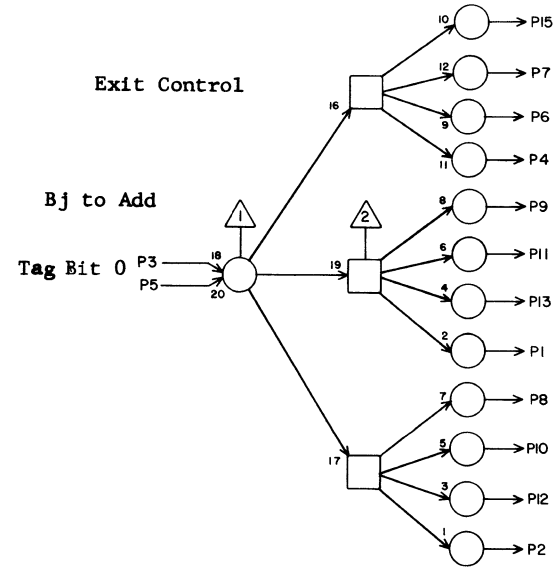


1	P33	17	5
2	P32	21	5
3			
4	P33	19	5
5	R21	17	17
6			
7	P33	26	5
8	P32	22	5
9	P18	14	17
10	P18	22	17
11	P19	14	17
12			
13	P18	6	17
14	F31	24	41
15	R42	1	13
16	R32	1	11
17	P33	1	5
18	R21	1	15
19	P33	4	5
20	L25	6	21
21	P32	2	5
22	P32	8	5
23	R33	21	11
24	R32	17	11
25	M25	6	19
26	P33	7	5
27	R22	8	15
28	L32	24	17

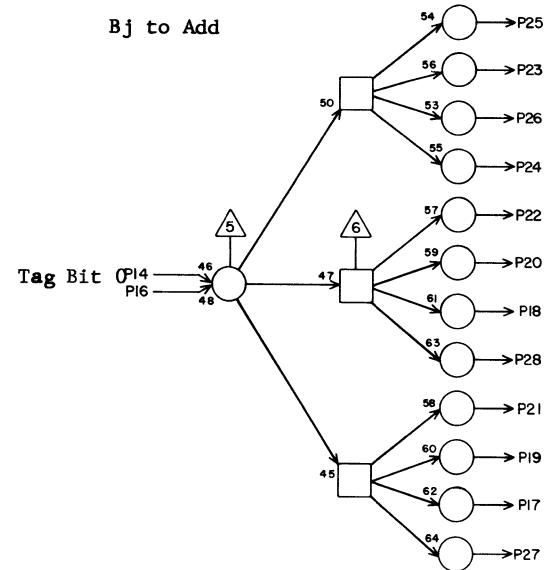
JACK PIN LG

TC 7P 34

Exit Control

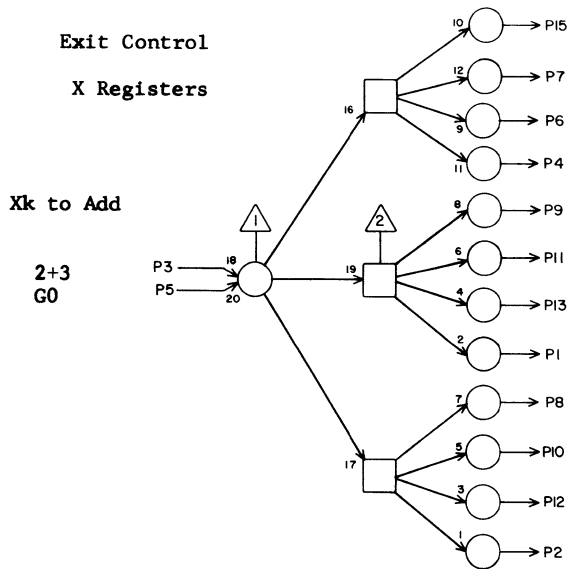


Bj to Add



1	Q27	23	13
2	R26	23	15
3	P23	9	15
4	R17	23	21
5	gnd		2
6	R15	23	23
7	R13	23	23
8	Q29	23	11
9	R19	23	21
10	Q31	23	9
11	R21	23	17
12	R24	23	15
13	Q25	23	13
14	P23	11	15
15	Q20	23	17
16	gnd		2
17	R40	23	13
18	Q41	23	11
19	R38	23	13
20	Q39	23	11
21	R36	23	11
22	Q37	23	9
23	R30	23	11
24	Q35	23	9
25	R28	23	13
26	R32	23	11
27	R42	23	13
28	R34	23	11

JACK PIN LG

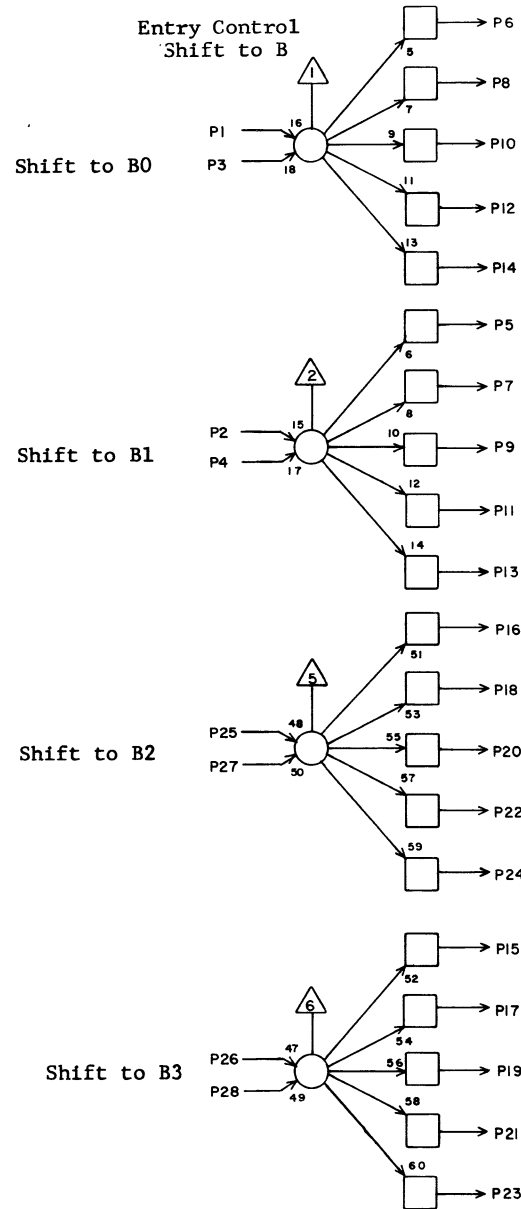


TC 7P 35

1	N38	12	11
2	N42	12	13
3	O37	13	7
4	M42	12	17
5	H25	10	33
6	M41	12	17
7	M40	12	17
8	N39	12	13
9	N35	12	11
10	N40	12	13
11	N36	12	11
12	N41	12	15
13	N37	12	13
14	O37	12	7
15	M39	12	17
16	H25	12	33
17	N41	11	15
18	N37	11	13
19	N40	11	13
20	N36	11	11
21	N39	11	13
22	N35	11	11
23	M40	11	17
24	M42	11	19
25	M39	11	17
26	M41	11	17
27	N42	11	15
28	N38	11	13

JACK PIN LG

63017300 Rev. D

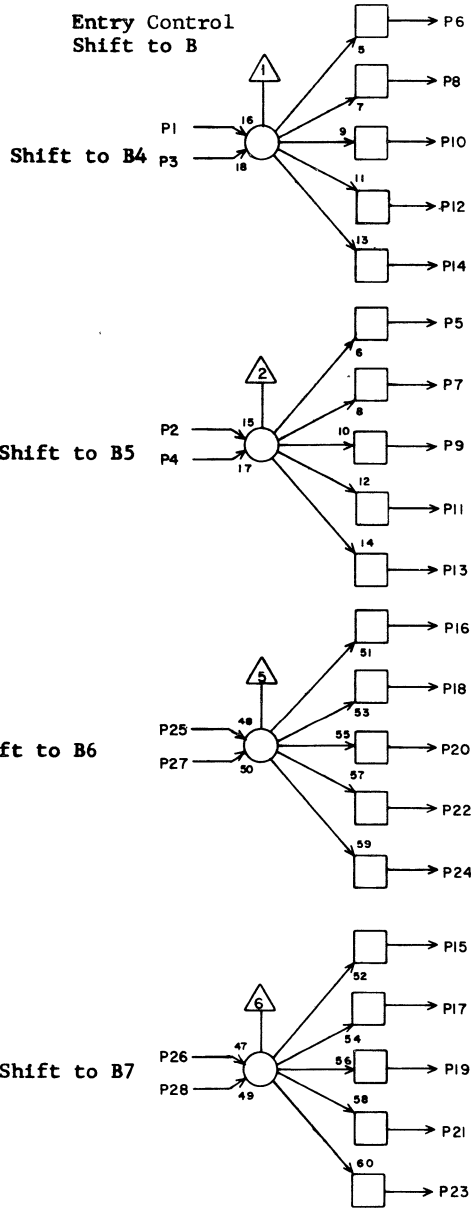


T D 7P 36

1			
2	F21	25	41
3	gnd		2
4	gnd		2
5	O38	25	9
6	O38	16	9
7	O40	25	9
8	O40	16	9
9	O42	25	11
10	O42	16	11
11	P39	25	5
12	P39	16	5
13	P41	25	7
14	P41	16	7
15	O38	6	9
16	O38	3	9
17	O40	6	9
18	O40	3	9
19	O42	6	11
20	O42	3	11
21	P39	6	5
22	P39	3	7
23	P41	6	7
24	P41	3	7
25	F22	25	43
26	F23	25	43
27	gnd		2
28	gnd		2

JACK PIN LG

63017300 Rev. D



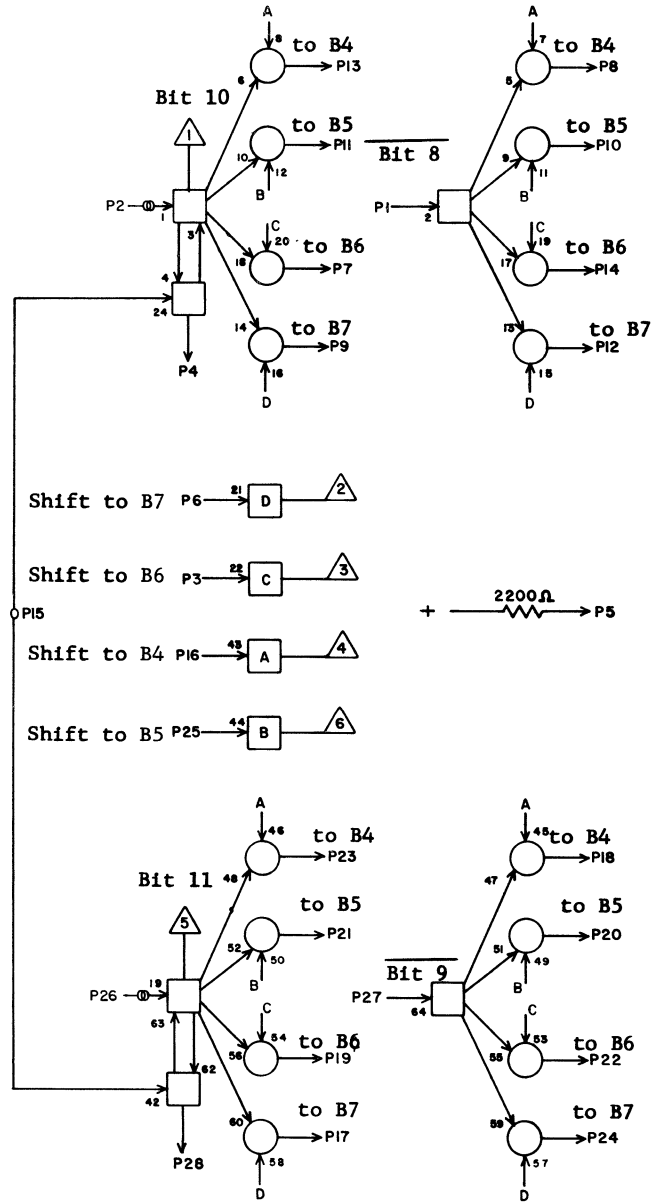
T D 7P 37

1	F24	25	41
2	F25	25	41
3	gnd		2
4	gnd		2
5	O39	25	5
6	O39	16	7
7	O41	25	9
8	O41	16	9
9	P38	25	5
10	P38	16	5
11	P40	25	5
12	P40	16	5
13	P42	25	7
14	P42	16	7
15	Q39	6	7
16	O39	3	7
17	O41	6	9
18	O41	3	9
19	P38	6	5
20	P38	3	5
21	P40	6	7
22	P40	3	7
23	P42	6	7
24	P42	3	7
25	J24	25	27
26	J25	25	27
27	gnd		2
28	gnd		2

JACK PIN LG

63017300 Rev. D

Entry Control: Trunk  
Shift to B



7P38

RA 7 P 38

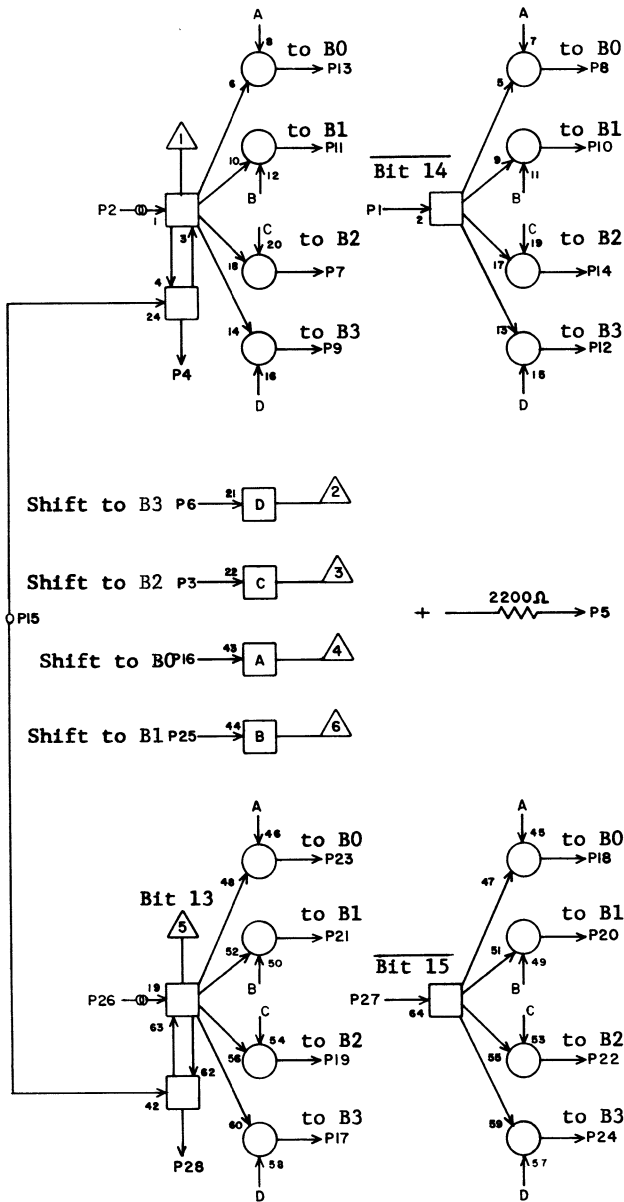
1	O42	4	9
2	W31	900	
3	P37	20	5
4	O42	1	9
5	P18	13	23
6	P37	19	5
7	R 8	22	31
8	R 2	2	35
9	R11	22	29
10	R 5	2	33
11	R 5	22	33
12	R11	2	29
13	R 2	22	35
14	R 8	2	31
15	O36	11	7
16	P37	10	5
17	R11	23	29
18	R 2	12	35
19	R 8	23	31
20	R 5	12	33
21	R 5	23	33
22	R 8	12	31
23	R 2	23	35
24	R11	12	29
25	P37	9	5
26	W31	901	
27	O42	28	9
28	O42	27	9

JACK PIN LG

63017300 Rev. D



Entry Control: Trunk  
Shift to B

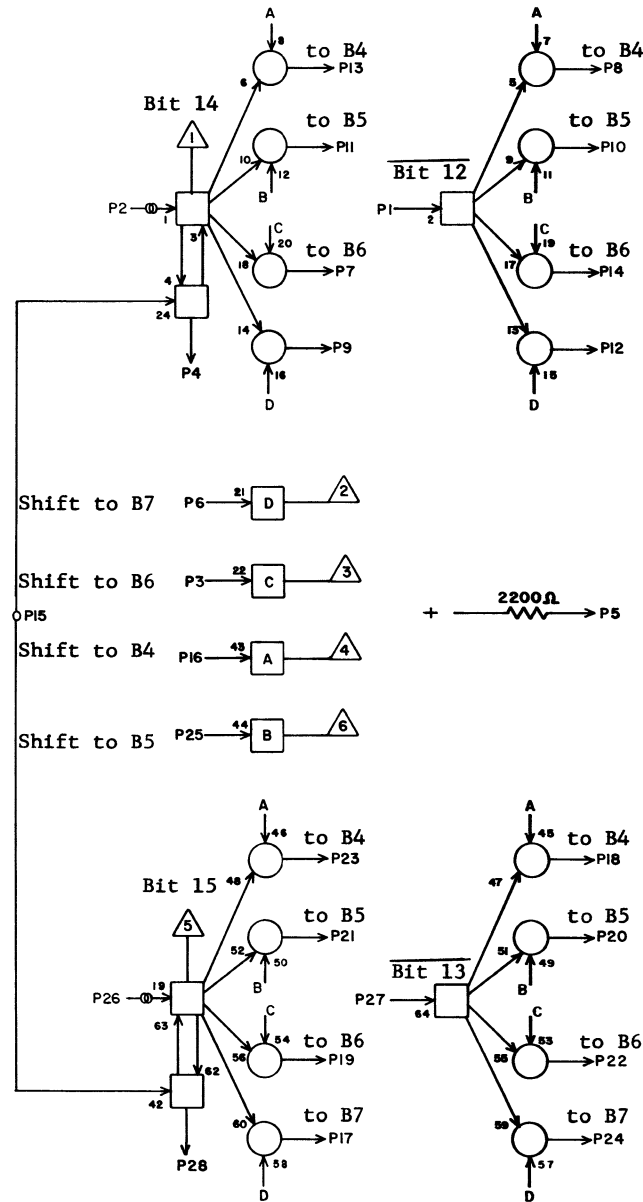


7P39

RA	JACK	PIN	LG
1	P40	4	5
2	W31	902	
3	P36	22	7
4	P40	1	5
5	P19	13	23
6	P36	21	7
7	N23	10	21
8	L24	10	25
9	O23	10	21
10	M24	10	23
11	M23	10	23
12	O24	10	17
13	L23	10	25
14	N24	10	21
15	O36	13	7
16	P36	12	5
17	O23	2	21
18	L24	2	25
19	N23	2	21
20	M24	2	23
21	M23	2	23
22	N24	2	21
23	L23	2	25
24	O24	2	17
25	P36	11	5
26	W31	903	
27	P40	28	3
28	P40	27	3

63017300 Rev. D

Entry Control: Trunk  
Shift to B

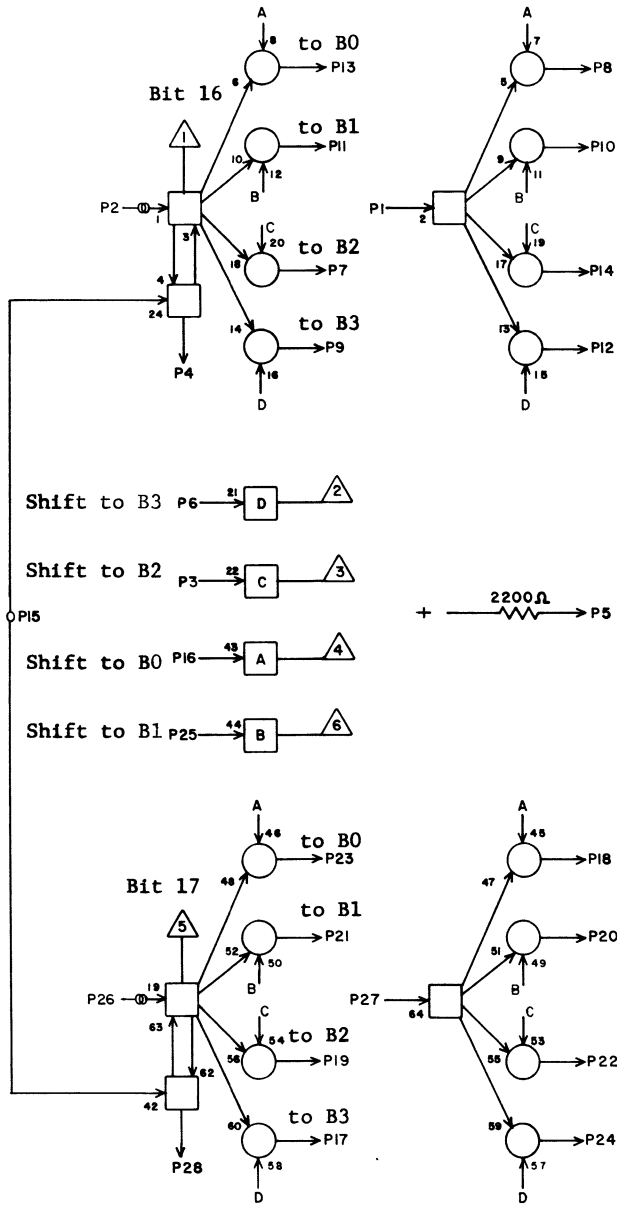


7P40

RA	JACK	PIN	LG
1	P39	4	5
2	W31	904	
3	P37	22	7
4	P39	1	5
5	P20	13	23
6	P37	21	7
7	R 9	2	31
8	R 3	13	35
9	R12	2	29
10	R 6	13	33
11	R 6	2	33
12	R12	13	29
13	R 3	2	35
14	R 9	13	31
15	O36	1	9
16	P37	12	5
17	R12	12	29
18	R 3	10	35
19	R 9	12	31
20	R 6	10	33
21	R 6	12	33
22	R 9	10	31
23	R 3	12	35
24	R12	10	29
25	P37	11	5
26	W31	905	
27	P39	28	3
28	P37	27	3

63017300 Rev. D

Entry Control: Trunk  
Shift to B

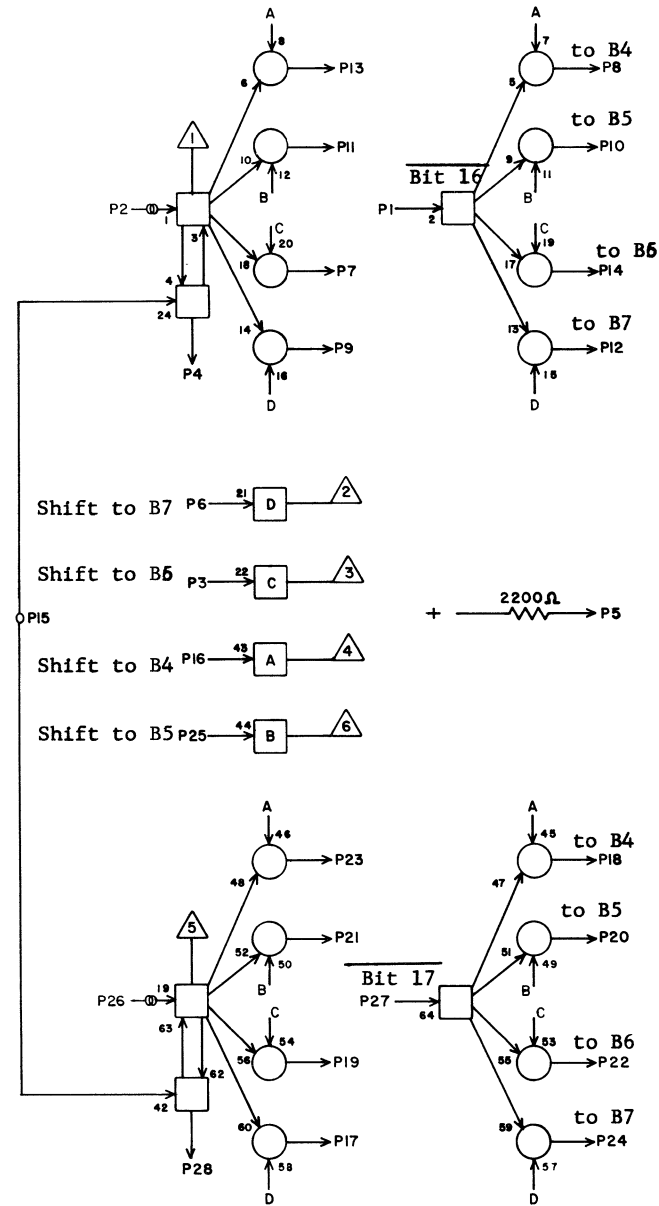


RA 7P 41

JACK	PIN	LG
1	P42	4 3
2	W31	906
3	P36	24 7
4	P42	1 3
5	P21	13 23
6	P36	23 7
7	N25	10 21
8		
9	O25	10 31
10		
11	M25	10 23
12		
13	L25	10 25
14		
15	O36	8 9
16	P36	14 7
17	O25	2 21
18		
19	N25	2 21
20		
21	M25	2 23
22		
23	L25	2 25
24		
25	P36	13 7
26	W31	907
27	P42	28 3
28	P42	27 3

JACK PIN LG

Entry Control: Trunk  
Shift to B

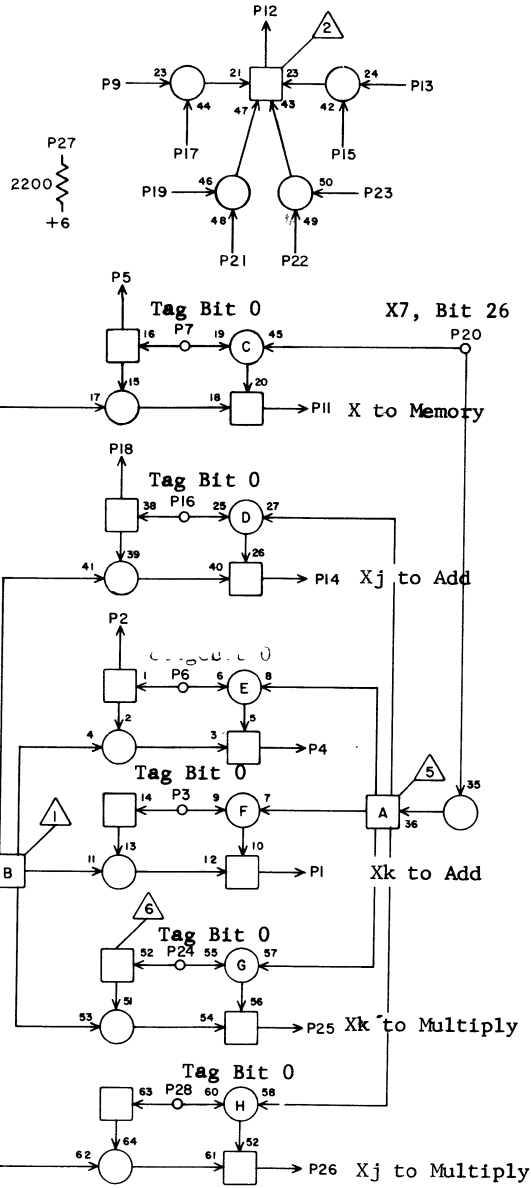


RA 7P 42

JACK	PIN	LG
1	P41	4 3
2		
3	P37	24 7
4	P41	1 3
5		
6	P37	23 7
7		
8	R 3	22 37
9		
10	R 6	22 35
11		
12	R12	22 31
13		
14	R 9	22 33
15	O36	10 11
16	P37	14 7
17		
18	R 3	23 37
19		
20	R 6	23 35
21		
22	R 9	23 33
23		
24	R12	23 31
25	P37	13 7
26		
27	P41	28 3
28	P41	27 3

JACK PIN LG

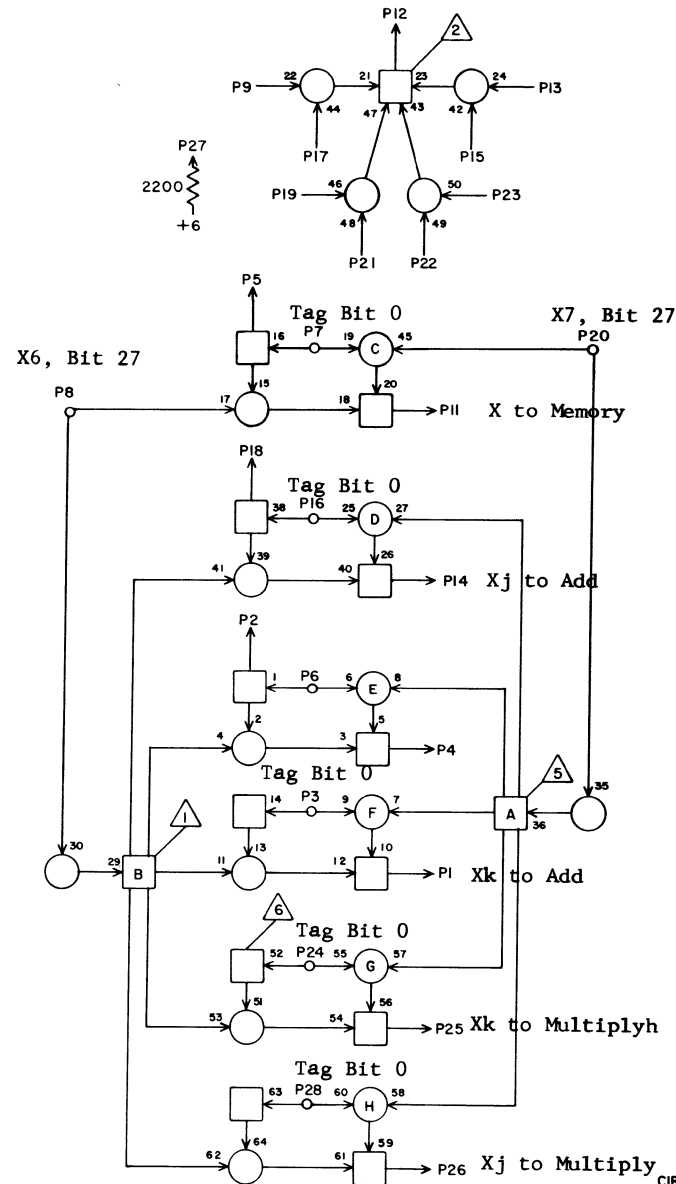
Exit Control: X Registers



RF			7Q1
JACK	PIN	LG	
1	N39	26	37
2	Q6	28	9
3	Q6	5	7
4			
5	Q6	3	7
6			
7	M14	1	25
8	N23	26	25
9			
10			
11	D9	15	49
12			
13			
14	N3	15	15
15			
16	M14	28	21
17			
18	Q6	24	7
19			
20	O23	26	23
21			
22			
23			
24	Q6	18	7
25	H31	26	43
26	J31	26	39
27			
28	Q6	2	7

63017300 Rev. D

LS 63061600 ASSY REV B

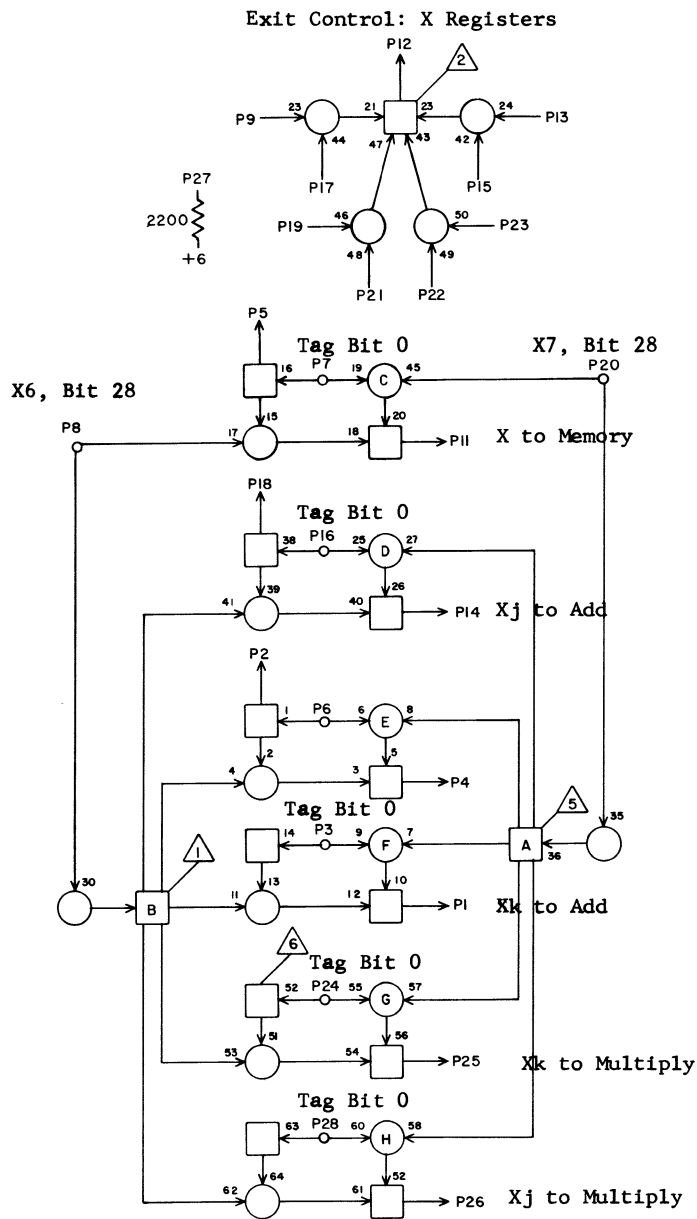


RF			7Q2
JACK	PIN	LG	
1	N40	2	37
2	Q7	28	9
3	Q7	5	7
4			
5	Q7	3	7
6			
7	M14	8	21
8	N23	27	25
9			
10			
11	E1	15	45
12			
13			
14	N4	15	15
15			
16	M14	21	21
17			
18	Q7	24	7
19			
20	O23	27	23
21			
22			
23			
24	Q7	18	7
25	H32	2	45
26	J32	2	39
27			
28	Q7	2	7

CIRCUIT SPECIFICATION 11827600

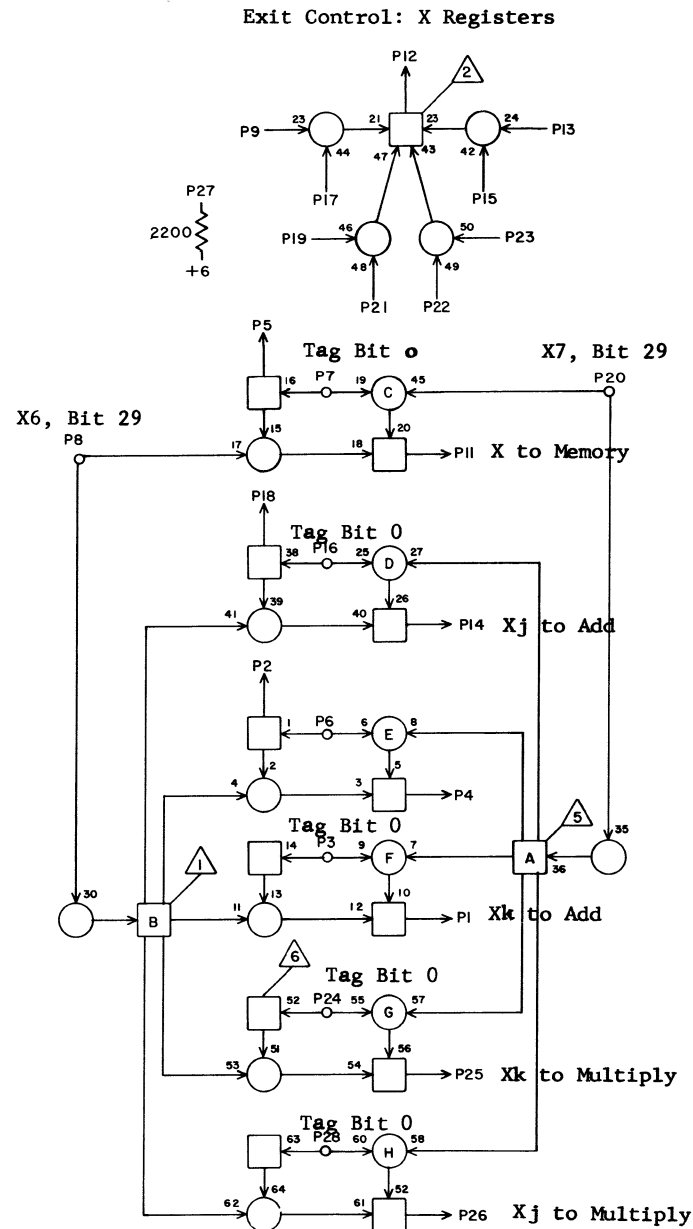
7Q2

63017300 Rev.DB



RF			
7Q3			
1	N40	17	31
2	Q8	28	9
3	Q8	5	7
4			
5	Q8	3	7
6			
7	M14	10	21
8	N24	11	25
9			
10			
11	E2	15	45
12			
13			
14	N5	15	15
15			
16	M14	19	21
17			
18	Q8	24	7
19			
20	O24	11	25
21			
22			
23			
24	Q8	18	7
25	H32	17	45
26	J32	17	39
27			
28	Q8	2	7
	JACK	PIN	LG

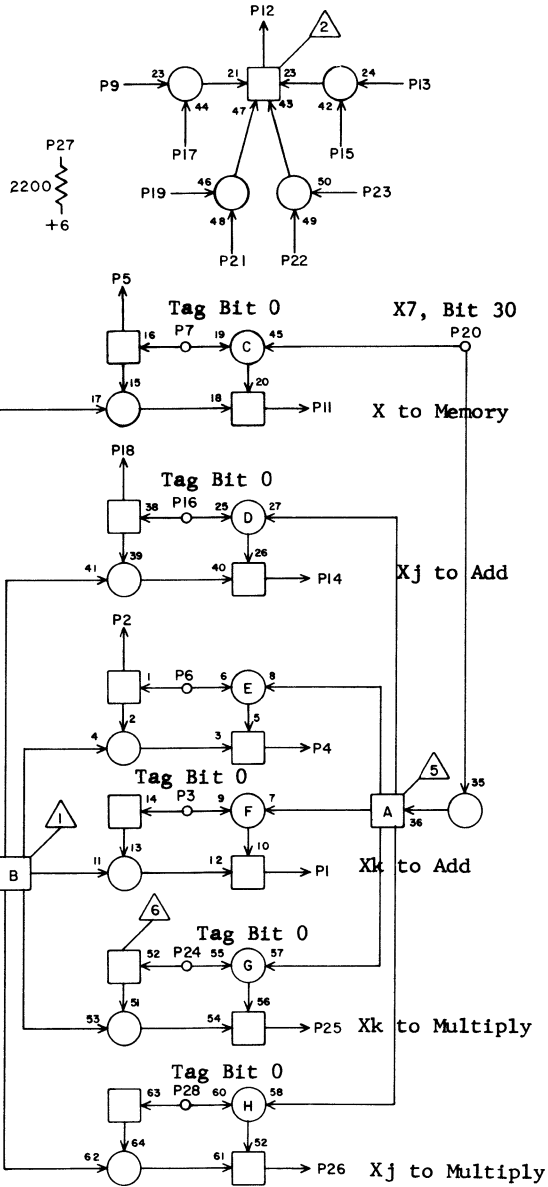
63017300 Rev. D



RF			
7Q4			
1	N40	26	35
2	Q9	28	9
3	Q9	5	7
4			
5	Q9	3	7
6			
7	M14	12	21
8	N24	16	23
9			
10			
11	E3	15	45
12			
13			
14	N6	15	15
15			
16	M14	17	21
17			
18	Q9	24	7
19			
20	O24	16	23
21			
22			
23			
24	Q9	18	7
25	H32	26	43
26	J32	26	39
27			
28	Q9	2	7
	JACK	PIN	LG

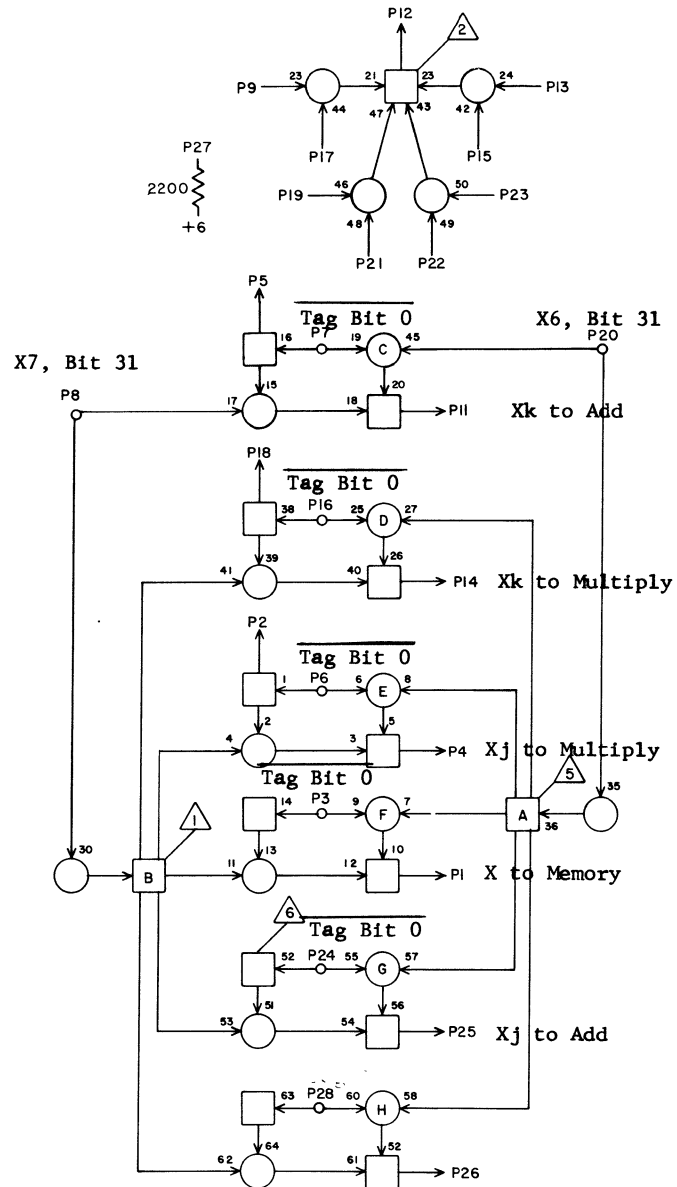
63017300 Rev. D

Exit Control: RX Registers



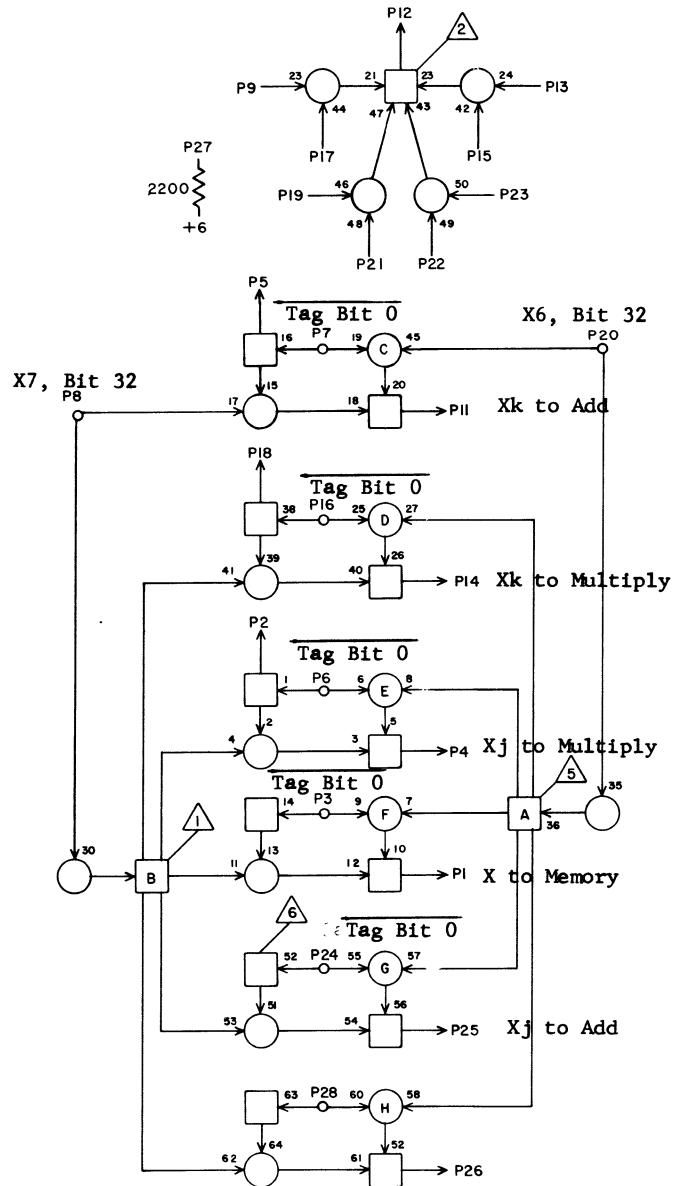
RF		7Q5	
1	N41	2	35
2	Q10	28	9
3	Q10	5	7
4			
5	Q10	3	7
6			
7	M14	2	21
8	N24	26	23
9			
10			
11	E4	15	45
12			
13			
14	N7	15	15
15			
16	M14	27	19
17			
18	Q10	24	7
19			
20	O24	26	21
21			
22			
23			
24	Q10	18	7
25	H33	2	43
26	J33	2	39
27			
28	Q10	2	7
	JACK	PIN	LG

RF 7Q6



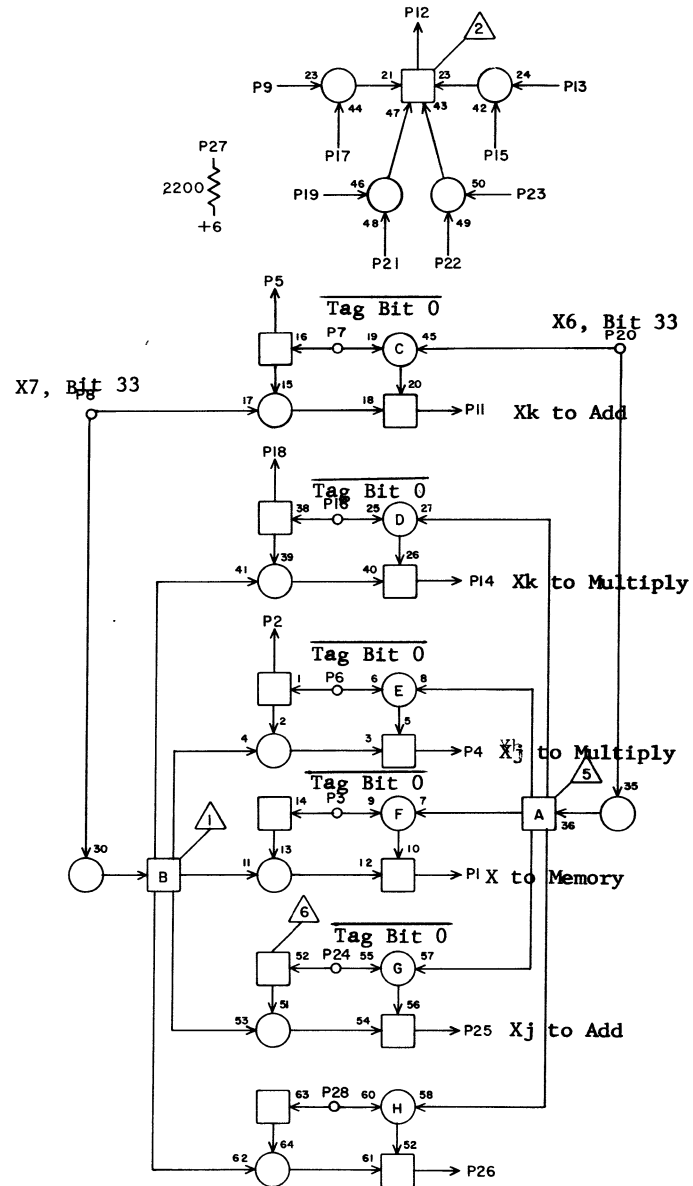
RF		7Q6	
1	E5	15	45
2	Q1	28	7
3	Q1	5	7
4	J33	17	37
5	Q1	3	7
6	O14	1	15
7	N14	1	17
8	O24	27	21
9			
10			
11	N41	17	35
12			
13			
14	H33	17	43
15			
16	N14	28	15
17			
18	Q1	24	7
19			
20	N24	27	23
21			
22			
23			
24	Q1	18	7
25	N8	15	15
26			
27			
28	Q1	2	9
	JACK	PIN	LG

Exit Control: X Registers



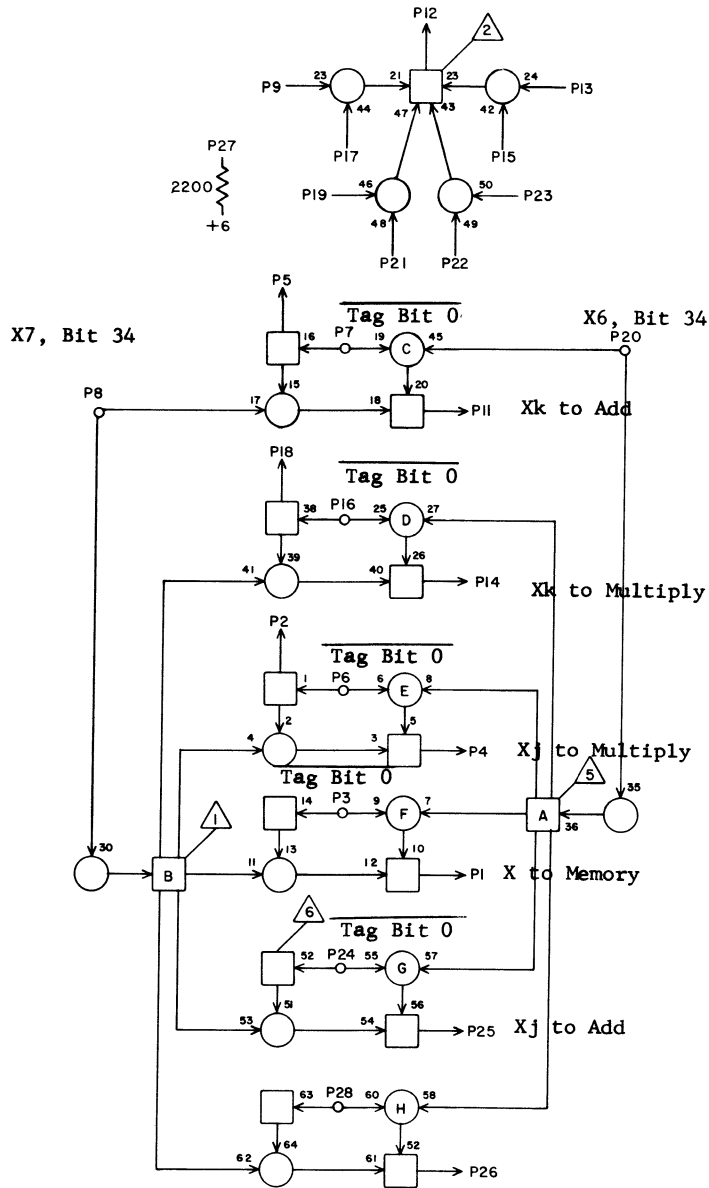
RF		7Q7	
1	E6	15	45
2	Q2	28	7
3	Q2	5	7
4	J33	26	35
5	Q2	3	7
6	O14	8	13
7	N14	8	15
8	O25	11	21
9			
10			
11	N41	26	35
12			
13			
14	H33	26	43
15			
16	N14	21	15
17			
18	Q2	24	7
19			
20	N25	11	23
21			
22			
23			
24	Q2	18	7
25	N9	15	15
26			
27			
28	Q2	2	9
	JACK	PIN	LG

Exit Control: X Registers



RF		7Q8	
1	E7	15	45
2	Q3	28	7
3	Q3	5	7
4	J34	2	37
5	Q3	3	7
6	O14	10	11
7	N14	10	15
8	O25	16	21
9			
10			
11	N42	2	35
12			
13			
14	H34	2	43
15			
16	N14	19	15
17			
18	Q3	24	7
19			
20	N25	16	23
21			
22			
23			
24	Q3	18	7
25	N10	15	15
26			
27			
28	Q3	2	9
	JACK	PIN	LG

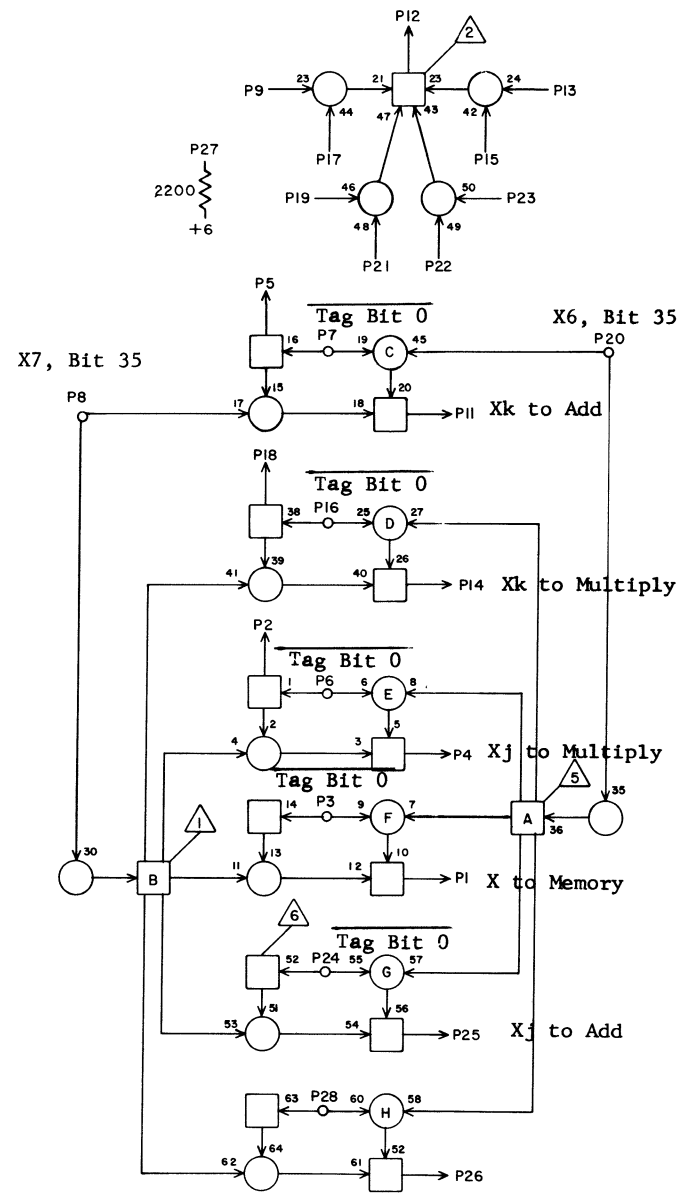
Entry Control: X Registers



RF 7Q9

RF	JACK	PIN	LG
1	E8	15	45
2	Q4	28	7
3	Q4	5	7
4	J34	17	37
5	Q4	3	7
6	O14	12	11
7	N14	12	15
8	O25	26	19
9			
10			
11	N42	17	35
12			
13			
14	H34	17	43
15			
16	N14	17	15
17			
18	Q4	24	7
19	N25	26	23
20			
21			
22			
23			
24	Q4	18	7
25	N11	15	15
26			
27			
28	Q4	2	9

Entry Control: X Registers

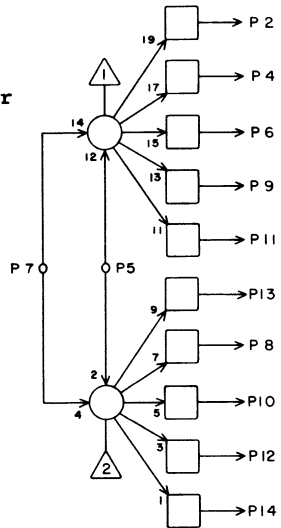


RF 7Q10

RF	JACK	PIN	LG
1	E9	15	45
2	Q5	28	7
3	Q5	5	7
4	J34	26	35
5	Q5	3	7
6	O14	2	11
7	N14	2	15
8	O25	27	19
9			
10			
11	N42	26	33
12			
13			
14	H34	26	45
15			
16	N14	27	15
17			
18	Q5	24	7
19			
20	N25	27	21
21			
22			
23			
24	Q5	18	7
25	N12	15	15
26			
27			
28	Q5	2	9

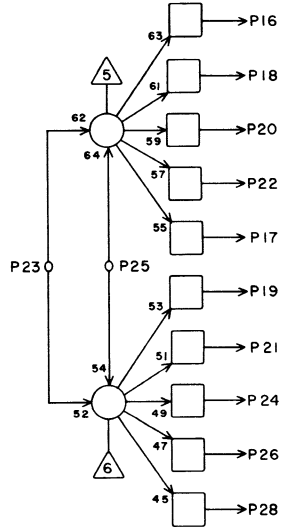
Clear Register

B4



Clear Register

B4



HC

7Q11

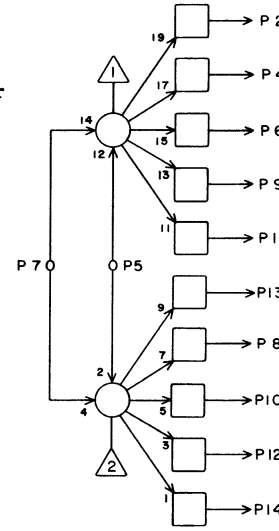
1			
2	R1	5	13
3			
4	R1	18	13
5	F24	24	43
6	R2	5	13
7	I17	17	33
8			
9	R2	18	13
10			
11	R3	5	11
12			
13	R3	18	11
14			
15			
16	R4	5	11
17	R6	5	9
18	R4	18	11
19	R6	18	9
20	R5	5	9
21			
22	R5	18	9
23	I17	19	33
24			
25	F25	24	45
26			
27			
28			

JACK PIN LG

63017300 Rev. D

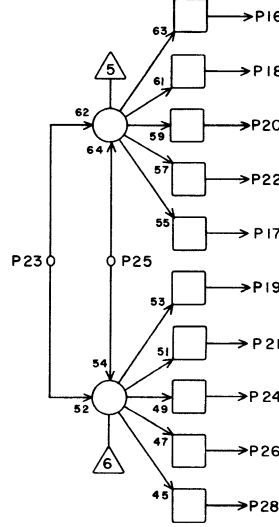
Clear Register

B6



Clear Register

B7



HC

7Q12

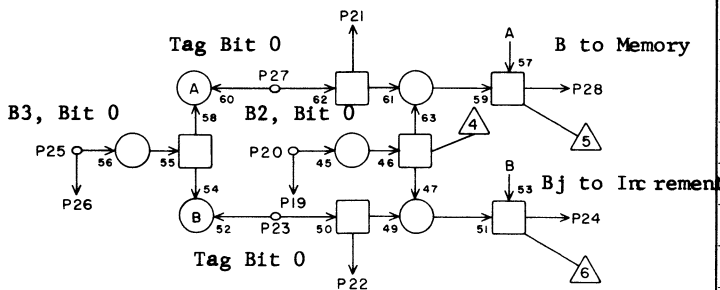
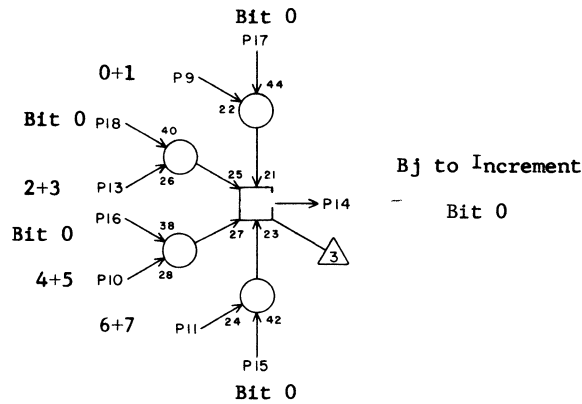
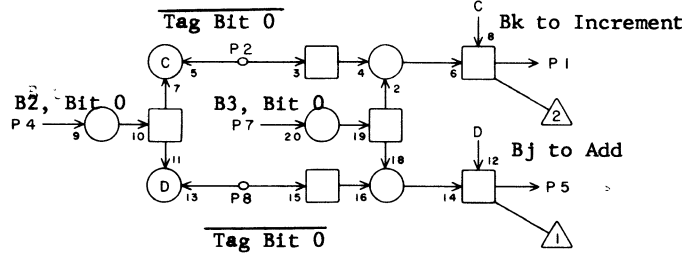
1			
2	R7	5	9
3			
4	R7	18	9
5	J24	24	29
6	R8	5	9
7	I17	21	33
8			
9	R8	18	9
10			
11	R9	5	9
12			
13	R9	18	9
14			
15			
16	R10	5	7
17	R12	5	5
18	R10	18	7
19	R12	18	7
20	R11	5	7
21			
22			
23	I17	24	33
24	R11	18	7
25	J25	24	31
26			
27			
28			

JACK PIN LG

63017300 Rev. D

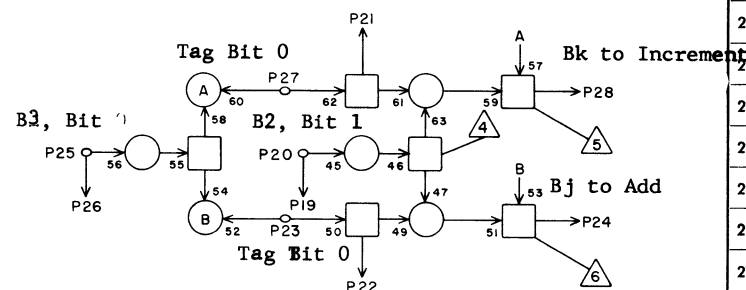
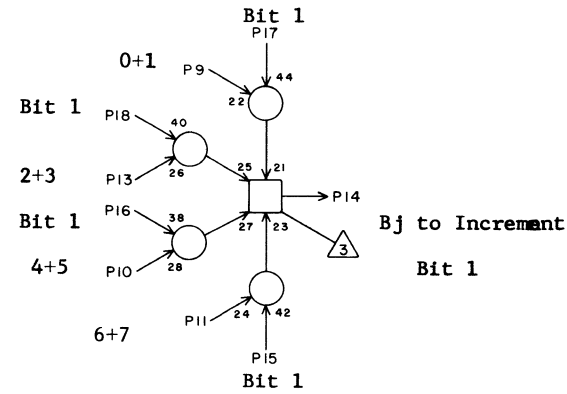
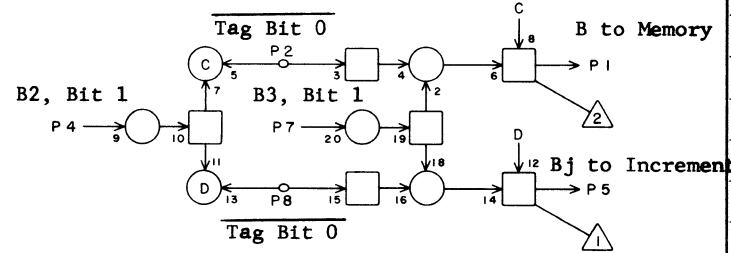


Exit Control  
B Registers



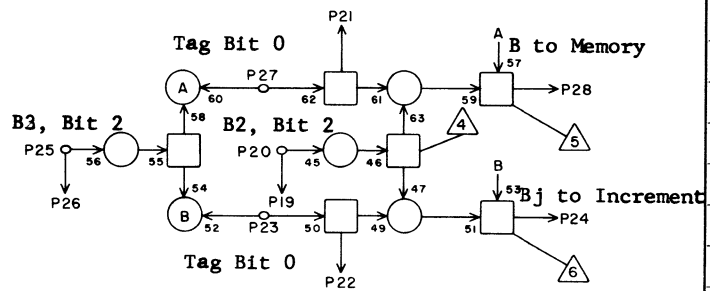
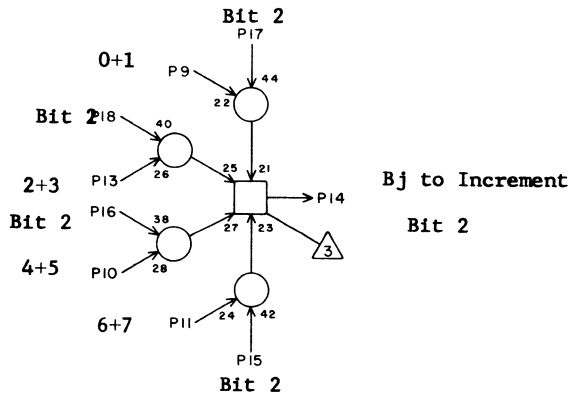
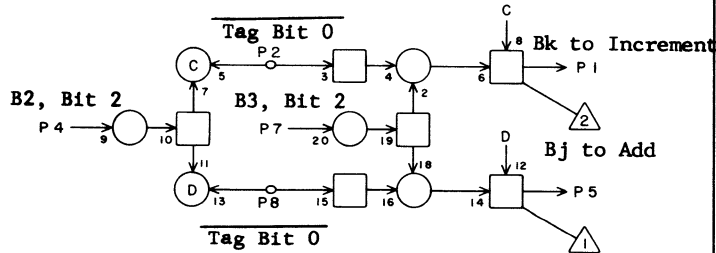
RH		7Q13	
1	L27	7	25
2	Q14	21	5
3			
4	Q13	19	5
5	Q24	18	13
6			
7	Q13	26	5
8	Q14	22	5
9	P16	2	9
10	P17	2	9
11	P17	16	9
12			
13	P16	16	9
14	K27	7	29
15	Q34	24	23
16	Q24	24	15
17	O27	24	19
18	Q13	24	3
19	Q13	4	5
20	N16	7	15
21	Q14	2	5
22	Q14	8	5
23	Q23	19	13
24	Q13	18	3
25	O16	7	13
26	Q13	7	5
27	Q22	10	11
28	O27	18	17
	JACK	PIN	LG

Exit Control  
B Registers



RH		7Q14	
1	O28	18	19
2	Q13	21	5
3			
4	Q14	19	5
5	Q14	18	3
6			
7	Q14	26	5
8	Q13	22	5
9	P16	4	9
10	P17	4	9
11	P17	18	9
12			
13	P16	18	9
14	K27	19	27
15	Q35	5	23
16	Q25	5	13
17	O28	5	19
18	Q14	5	3
19	Q14	4	5
20	N16	6	15
21	Q13	2	5
22	Q13	8	5
23	R33	19	21
24	Q25	18	13
25	O16	6	13
26	Q14	7	5
27	R22	10	11
28	L27	19	25
	JACK	PIN	LG

Exit Control  
B Registers

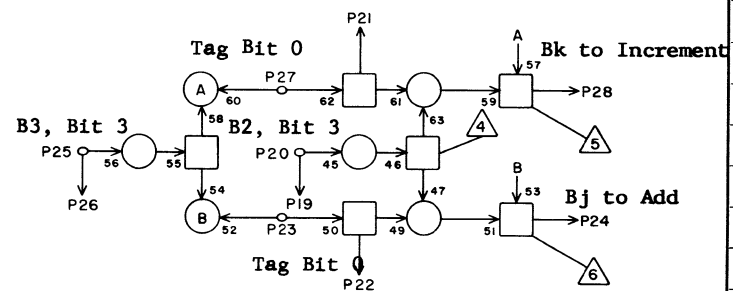
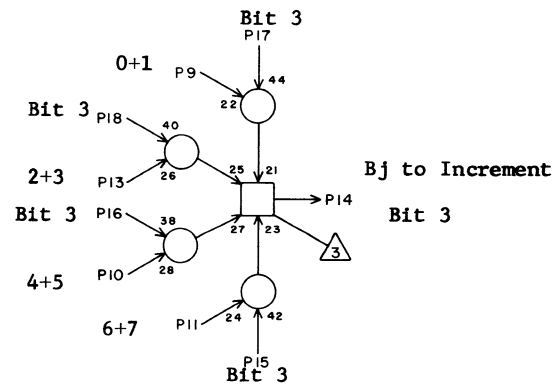
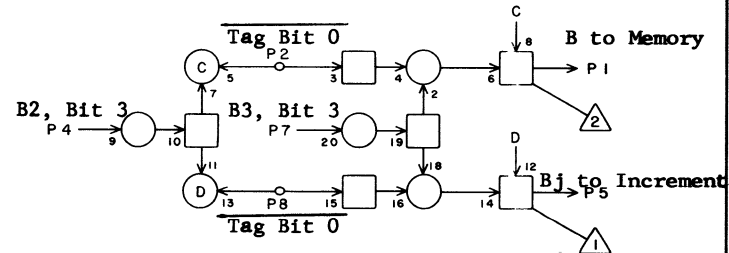


RH 7Q15

1	L27	28	23
2	Q16	21	5
3			
4	Q15	19	5
5	Q26	18	13
6			
7	Q15	26	5
8	Q16	22	5
9	P16	6	9
10	P17	6	9
11	P17	20	9
12			
13	P16	20	9
14	K27	28	27
15	Q36	24	23
16	Q26	24	13
17	O29	24	19
18	Q15	24	3
19	Q15	4	5
20	N17	7	15
21	Q16	2	5
22	Q16	8	5
23	Q23	17	11
24	Q15	18	3
25	O17	7	13
26	Q15	7	5
27	Q22	12	11
28	O29	18	19

JACK PIN LG

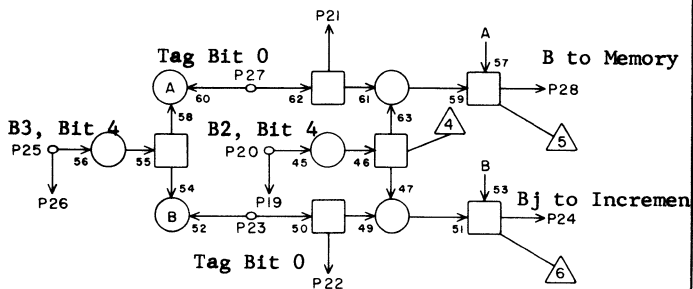
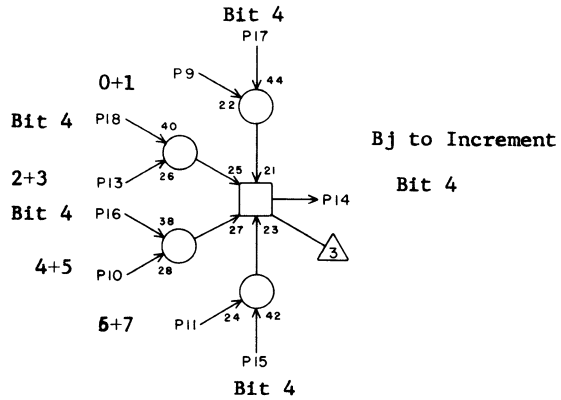
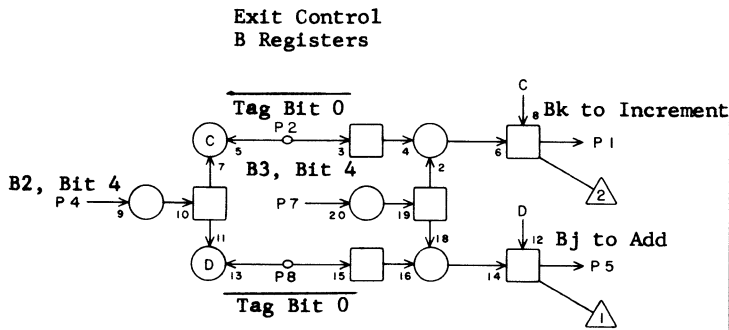
Exit Control  
B Registers



RH 7Q16

1	O30	18	21
2	Q15	21	5
3			
4	Q16	19	5
5	Q16	18	3
6			
7	Q16	26	5
8	Q15	22	5
9	P16	9	9
10	P17	9	9
11	P17	22	9
12			
13	P16	22	9
14	K28	7	27
15	Q37	5	23
16	Q27	5	15
17	O30	5	21
18	Q16	5	3
19	Q16	4	5
20	N17	6	15
21	Q15	2	5
22	Q15	8	5
23	R33	17	19
24	Q27	18	13
25	O17	6	13
26	Q16	7	5
27	R22	12	11
28	L28	7	25

JACK PIN LG

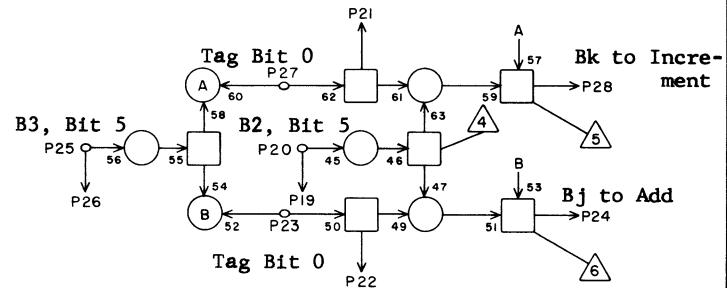
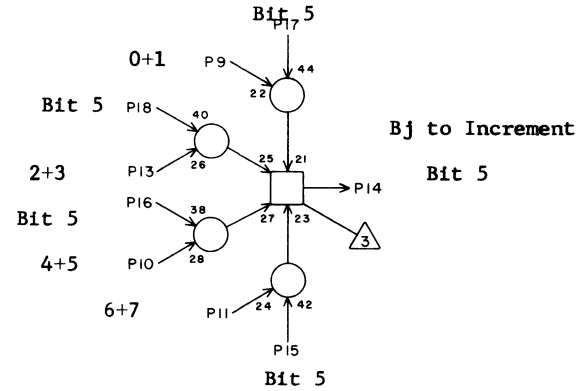
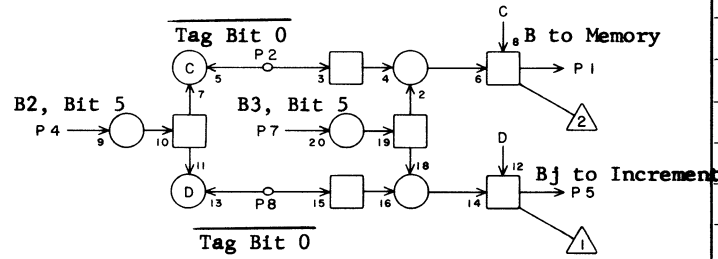


RH **7Q17**

1	L28	19	23
2	Q18	21	5
3			
4	Q17	19	5
5	Q28	18	13
6			
7	Q17	26	5
8	Q18	22	5
9	P16	11	9
10	P17	11	9
11	P17	17	9
12			
13	P16	17	9
14	K28	19	25
15	Q38	24	23
16	Q28	24	15
17	O31	24	21
18	Q17	24	3
19	Q17	4	5
20	N18	7	15
21	Q18	2	5
22	Q18	8	5
23	Q23	27	9
24	Q17	18	3
25	O18	7	13
26	Q17	7	5
27	Q22	2	9
28	O31	18	21

JACK PIN LG

**Exit Control B Registers**

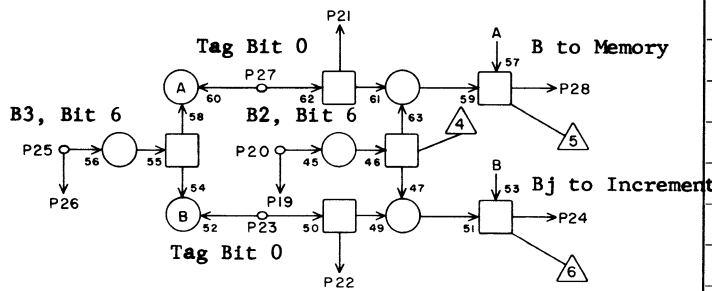
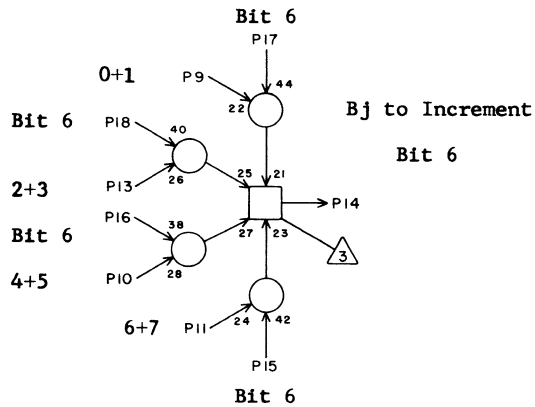
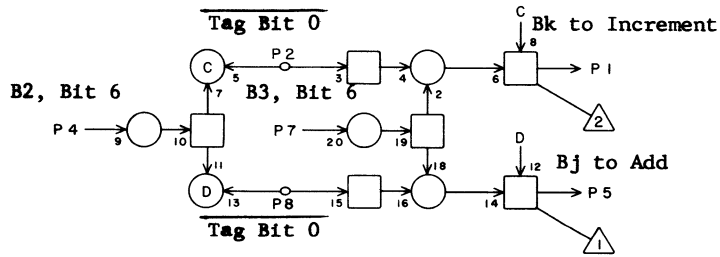


RH **7Q18**

1	O32	18	21
2	Q17	21	5
3			
4	Q18	19	5
5	Q18	18	3
6			
7	Q18	26	5
8	Q17	22	5
9	P16	13	9
10	P17	13	9
11	P17	19	9
12			
13	P16	19	9
14	K28	28	25
15	Q39	5	23
16	Q29	5	15
17	O32	5	21
18	Q18	5	3
19	Q18	4	5
20	N18	6	15
21	Q17	2	5
22	Q17	8	5
23	R33	27	19
24	Q29	18	17
25	O18	6	13
26	Q18	7	5
27	R22	2	9
28	L28	28	25

JACK PIN LG

Exit Control  
B Registers



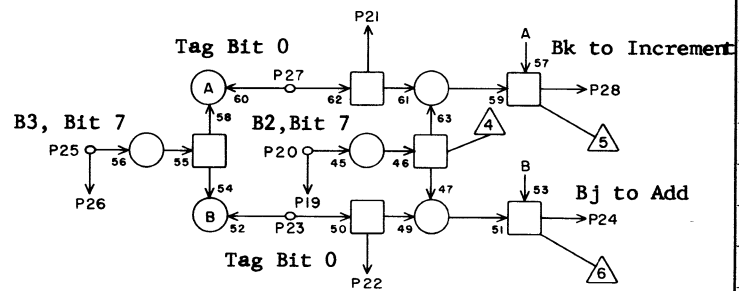
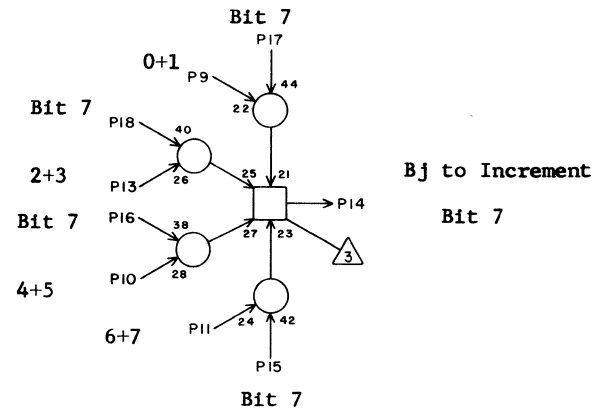
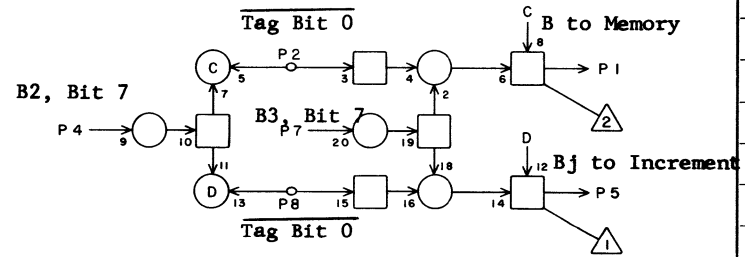
RH 7Q19

1	L29	7	25
2	Q20	21	7
3			
4	Q19	19	5
5	Q30	18	13
6			
7	Q19	26	5
8	Q20	22	5
9	P16	8	9
10	P17	8	9
11	P17	21	9
12			
13	P16	21	9
14	K29	7	27
15	Q40	24	23
16	Q30	24	15
17	O33	24	21
18	Q19	24	5
19	Q19	4	5
20	N19	7	17
21	Q20	2	5
22	Q20	8	5
23	Q33	15	15
24	Q19	18	5
25	O19	7	13
26	Q19	7	5
27	Q22	25	9
28	O33	18	21

JACK PIN LG

63017300 Rev. D

Exit Control  
B Registers

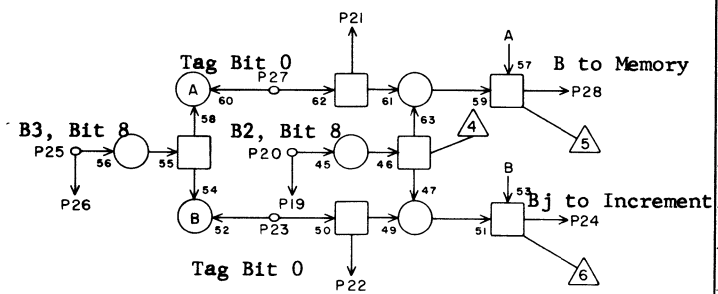
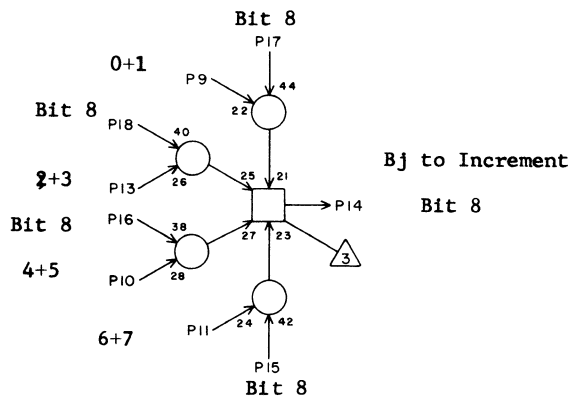
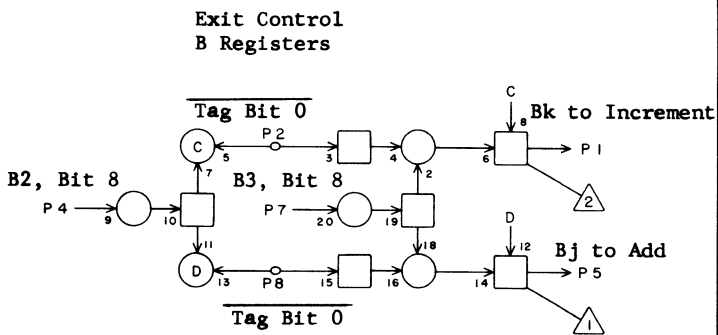


RH 7Q20

1	O34	18	21
2	Q19	21	5
3			
4	Q20	19	5
5	Q20	18	5
6			
7	Q20	26	5
8	Q19	22	5
9	P16	10	9
10	P17	10	9
11	P17	24	9
12			
13	P16	24	9
14	K29	19	27
15	Q41	5	23
16	Q31	5	13
17	O34	5	21
18	Q20	5	5
19	Q20	4	5
20	N19	6	15
21	Q19	2	7
22	Q19	8	5
23	P34	15	17
24	Q31	18	13
25	O19	6	13
26	Q20	7	5
27	R22	25	9
28	L29	19	25

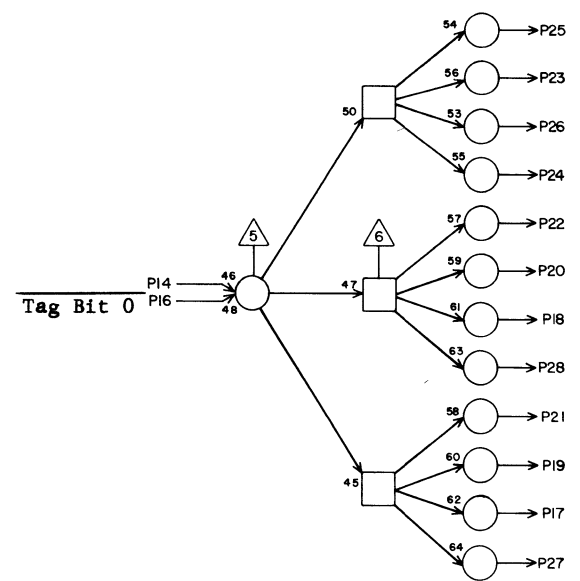
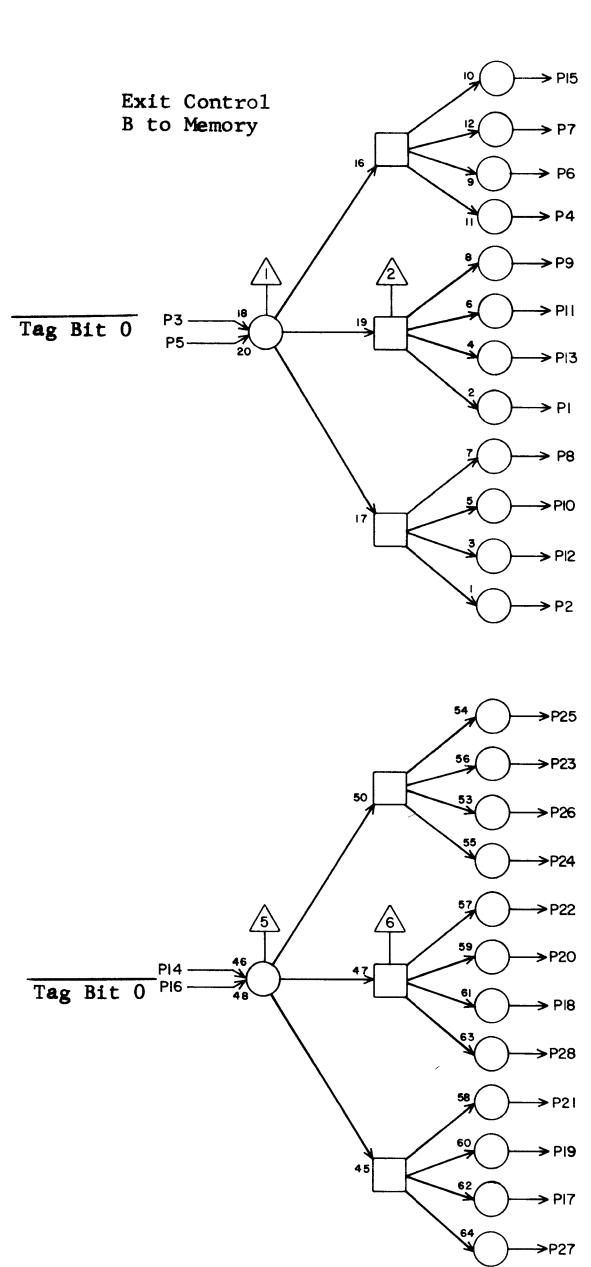
JACK PIN LG

63017300 Rev. E



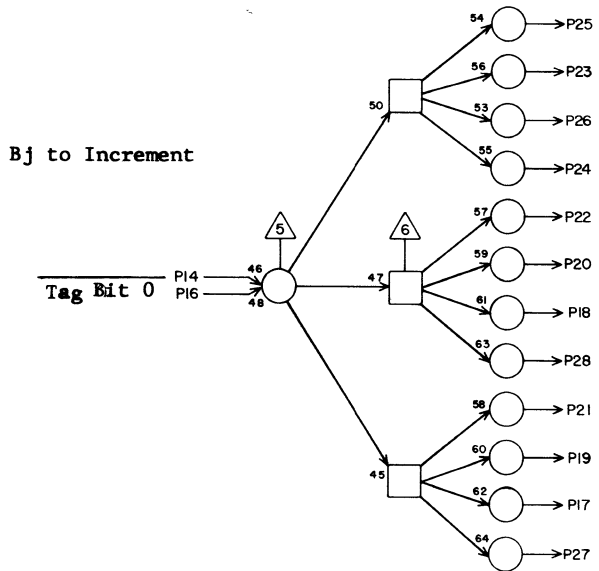
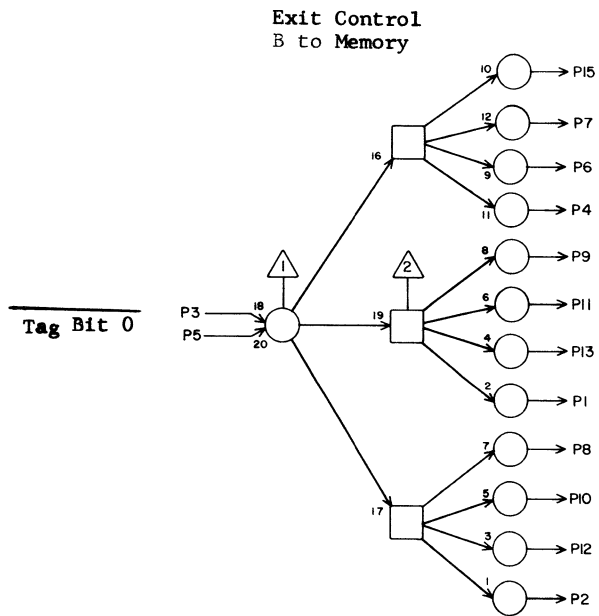
RH 7Q21

1	L29	28	25
2	R13	21	13
3			
4	Q21	19	5
5	Q32	18	13
6			
7	Q21	26	5
8	R13	22	13
9	P16	12	9
10	P17	12	9
11	P17	26	9
12			
13	P16	26	9
14	K29	28	27
15	Q42	24	23
16	Q32	24	15
17	P24	24	9
18	Q21	24	3
19	Q21	4	5
20	N20	7	15
21	R13	2	11
22	R13	8	11
23	Q33	7	15
24	Q21	18	3
25	O20	7	13
26	Q21	7	5
27	Q22	23	3
28	P24	18	9
	JACK	PIN	LG



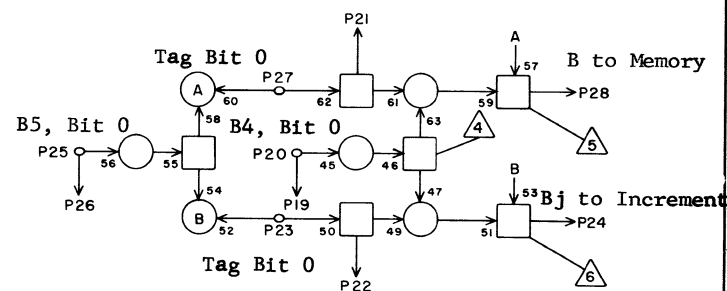
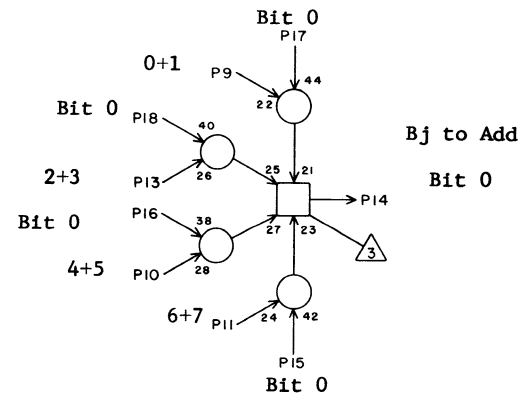
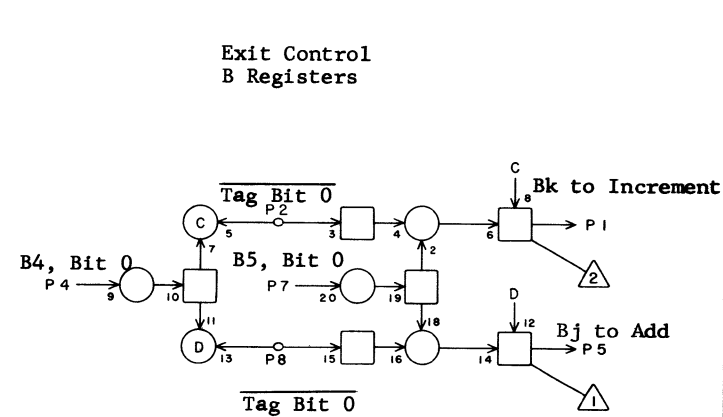
TC 7/Q 22

1	P30	27	11
2	Q17	27	9
3	K25	2	25
4	O33	27	17
5	gnd		2
6	O31	27	15
7	O29	27	17
8	P32	27	13
9	P24	27	9
10	Q13	27	11
11	P26	27	11
12	Q15	27	11
13	P28	27	9
14	K25	4	25
15	O27	27	13
16	gnd		2
17	Q32	27	15
18	Q24	27	9
19	Q30	27	11
20	R20	27	9
21	Q28	27	9
22	R18	27	9
23	Q21	27	3
24	R16	27	11
25	Q19	27	9
26	R14	27	13
27	R25	27	9
28	Q26	27	9
	JACK	PIN	LG



TC		7Q 23	
1	Q42	27	23
2	R41	27	23
3	K25	23	25
4	Q34	27	15
5	gnd		2
6	R31	27	13
7	R29	27	11
8	R35	27	15
9	Q36	27	15
10	R37	27	17
11	Q38	27	19
12	R39	27	21
13	Q40	27	21
14	P23	10	7
15	R27	27	11
16	gnd		2
17	Q15	23	11
18	P28	23	9
19	Q13	23	13
20	P26	23	9
21	P32	23	13
22	P24	23	9
23	O29	23	15
24	O33	23	17
25	O27	23	13
26	O31	23	15
27	Q17	23	9
28	P30	23	11
	JACK	PIN	LG

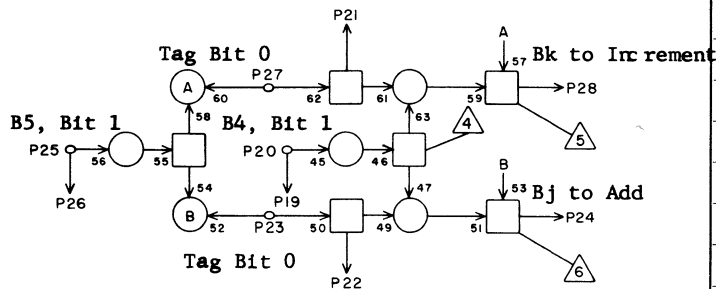
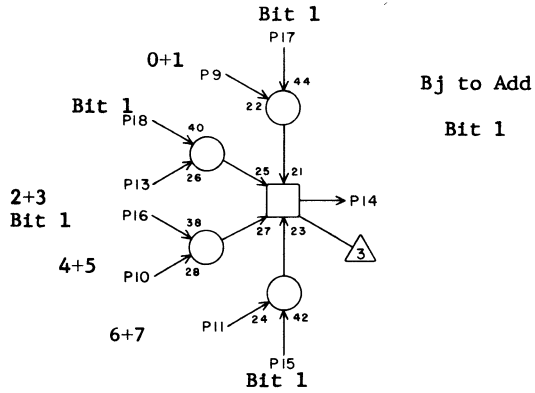
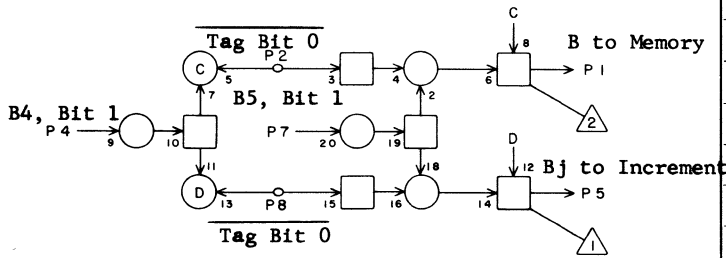
63017300 Rev. D



RH		7Q 24	
1	L27	4	21
2	Q25	21	5
3			
4	Q24	19	5
5	Q24	16	3
6			
7	Q24	26	5
8	Q25	22	5
9	M27	2	21
10	N27	2	17
11	N27	16	17
12			
13	M27	16	21
14	L35	8	25
15	Q34	5	13
16	Q24	5	3
17	O27	5	13
18	Q13	5	13
19	Q24	4	5
20	R 1	11	25
21	Q25	2	7
22	Q25	8	5
23	Q33	13	13
24	Q13	16	15
25	R 4	11	23
26	Q24	7	5
27	Q22	18	9
28	Q27	16	13
	JACK	PIN	LG

63017300 Rev. E

Exit Control  
B Registers

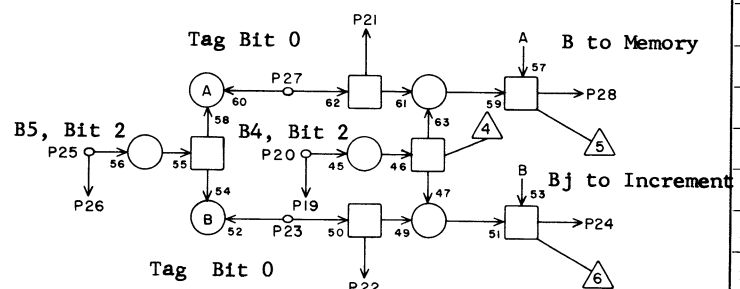
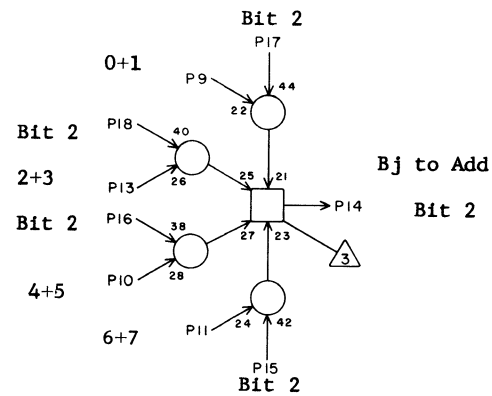
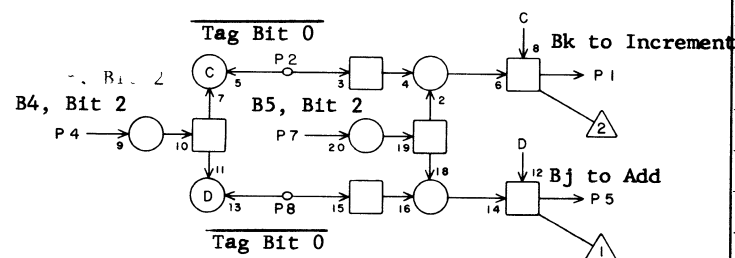


RH 7Q 25

1	Q28	16	11
2	Q24	21	7
3			
4	Q25	19	5
5	Q14	16	13
6			
7	Q25	26	5
8	Q24	22	5
9	M27	4	21
10	N27	4	17
11	N27	18	17
12			
13	M27	18	21
14	L35	22	25
15	Q35	24	13
16	Q25	24	3
17	O28	24	11
18	Q14	24	13
19	Q25	4	5
20	R 1	7	25
21	Q24	2	5
22	Q24	8	5
23	P34	13	13
24	Q25	16	3
25	R 4	7	23
26	Q25	7	5
27	R22	18	9
28	L27	20	23

JACK PIN LG

Exit Control  
B Registers

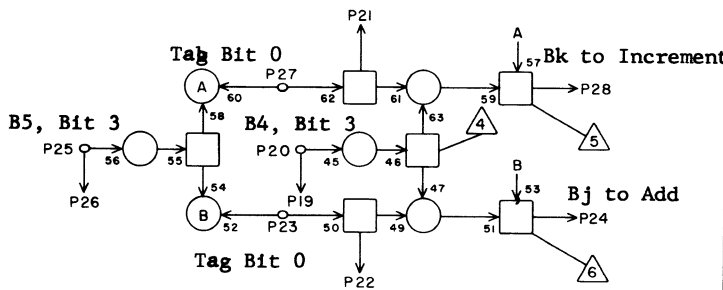
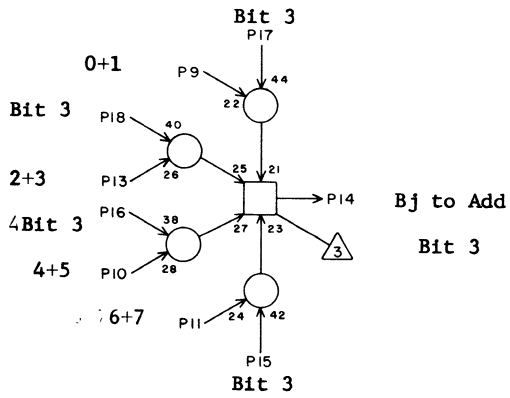
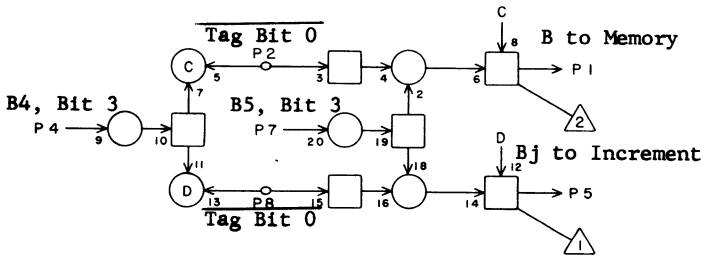


RH 7Q 26

1	L27	16	21
2	Q27	21	5
3			
4	Q26	19	5
5	Q26	16	3
6			
7	Q26	26	5
8	Q27	22	5
9	M27	6	21
10	N27	6	17
11	N27	20	17
12			
13	M27	20	21
14	L35	24	23
15	Q36	5	13
16	Q26	5	3
17	O29	5	13
18	Q15	5	13
19	Q26	4	5
20	R 1	6	25
21	Q27	2	5
22	Q27	8	5
23	Q33	1	9
24	Q15	16	13
25	R 4	6	23
26	Q26	7	5
27	Q22	28	9
28	O29	16	13

JACK PIN LG

Exit Control  
B Registers

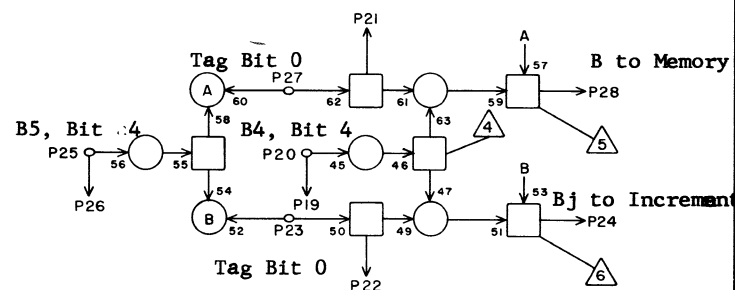
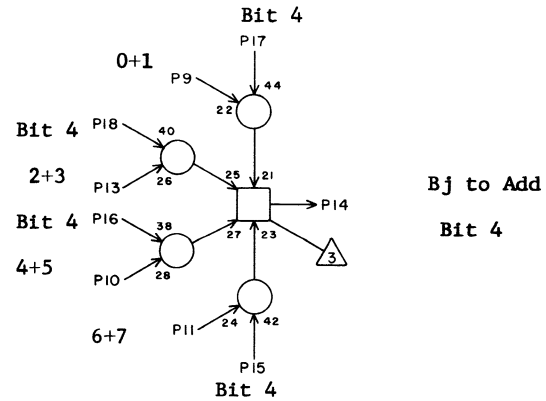
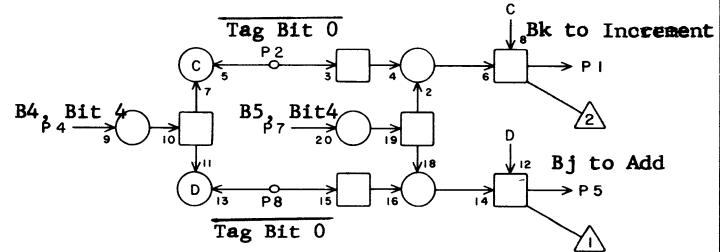


RH 7Q 27

1	O30	16	11
2	Q26	21	5
3			
4	Q27	19	5
5	Q16	16	15
6			
7	Q27	26	5
8	Q26	22	5
9	M27	9	21
10	N27	9	17
11	N27	22	17
12			
13	M27	22	21
14	L36	8	25
15	Q37	24	13
16	Q27	24	3
17	O30	24	13
18	Q16	24	13
19	Q27	4	5
20	R 1	16	25
21	Q26	2	5
22	Q26	8	5
23	P34	1	13
24	Q27	16	3
25	R 4	16	23
26	Q27	7	5
27	R22	28	9
28	L28	4	25

JACK PIN LG

Exit Control  
B Registers

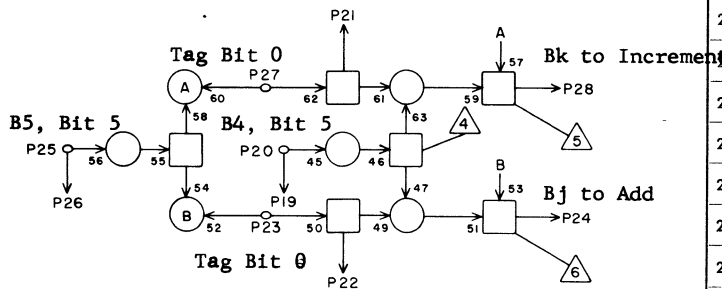
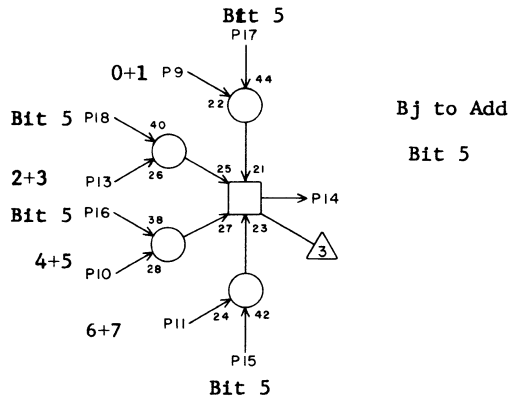
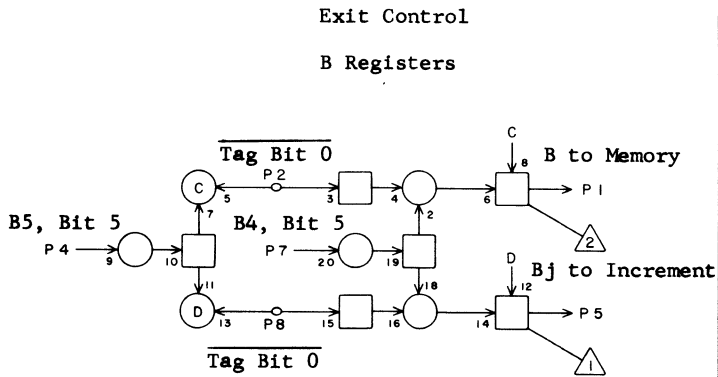


RH 7Q 28

1	L28	20	25
2	Q29	21	5
3			
4	Q28	19	5
5	Q28	16	3
6			
7	Q28	26	5
8	Q29	22	5
9	M27	11	21
10	N27	11	17
11	N27	17	17
12			
13	M27	17	21
14	L36	22	23
15	Q38	5	13
16	Q28	5	3
17	O31	5	13
18	Q17	5	13
19	Q28	4	5
20	R 1	26	27
21	Q29	2	5
22	Q29	8	5
23	Q33	8	9
24	Q17	16	15
25	R 4	26	25
26	Q28	7	5
27	Q22	21	9
28	O31	16	15

JACK PIN LG



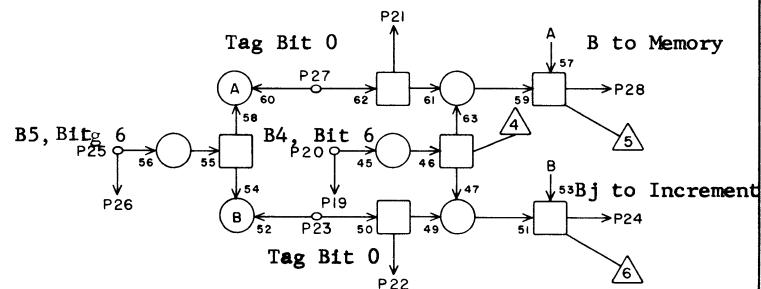
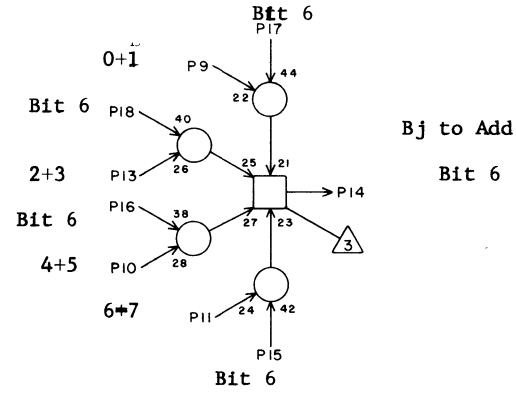
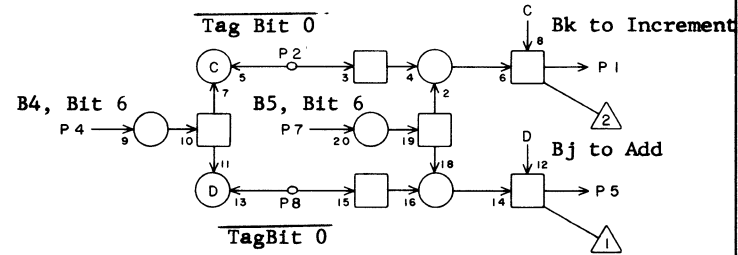


		7Q 29	
RH			
1	O32	16	15
2	Q28	21	5
3			
4	Q29	19	5
5	Q18	16	15
6			
7	Q29	26	5
8	Q28	22	5
9	M27	13	19
10	N27	13	15
11	N27	19	15
12			
13	M27	19	19
14	L36	24	23
15	Q39	24	13
16	Q29	24	3
17	O32	24	13
18	Q18	24	17
19	Q29	4	5
20	R 1	27	27
21	Q28	2	5
22	Q28	8	5
23	P34	8	11
24	Q29	16	3
25	R 4	27	25
26	Q29	7	5
27	R22	21	11
28	L28	16	25
	JACK	PIN	LG

63017300 Rev. D

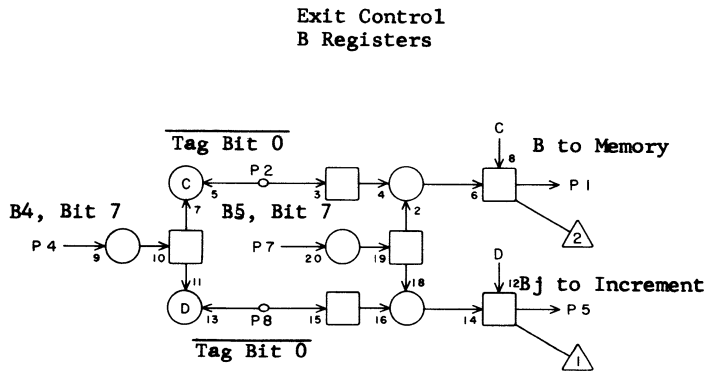
		7Q 30	
RH			
1	L29	4	23
2	Q31	21	5
3			
4	Q30	19	5
5	Q30	16	3
6			
7	Q30	26	5
8	Q31	22	5
9	M27	8	19
10	N27	8	15
11	N27	21	15
12			
13	M27	21	19
14	L37	8	23
15	Q40	5	13
16	Q30	5	3
17	O33	5	13
18	Q19	5	13
19	Q30	4	5
20	R 2	11	27
21	Q31	2	5
22	Q31	8	5
23	Q33	10	9
24	Q19	16	15
25	R 5	11	25
26	Q30	7	5
27	Q22	19	11
28	O33	16	13
	JACK	PIN	LG

Exit Control  
B Registers



7Q30

63017300 Rev. E

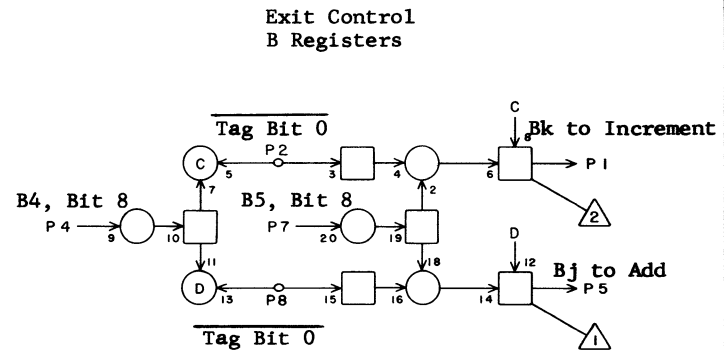


RH **7Q 31**

1	O34	16	13
2	Q30	21	5
3			
4	Q31	19	5
5	Q20	16	13
6			
7	Q31	26	5
8	Q30	22	5
9	M27	10	21
10	N27	10	17
11	N27	24	17
12			
13	M27	24	21
14	L37	22	23
15	Q41	24	13
16	Q31	24	3
17	O34	24	11
18	Q20	24	13
19	Q31	4	5
20	R 2	7	29
21	Q30	2	5
22	Q30	8	5
23	P34	10	9
24	Q31	16	3
25	R 5	7	25
26	Q31	7	5
27	R22	19	13
28	L29	20	25

JACK PIN LG

63017300 Rev. D.

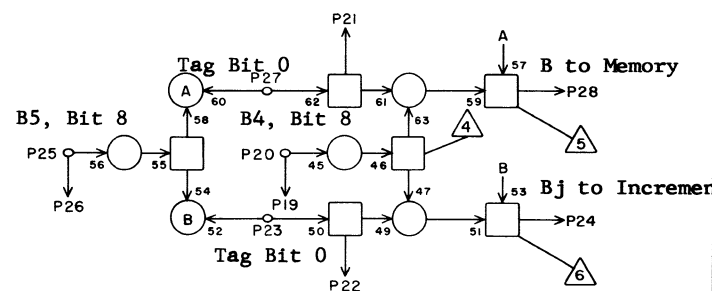
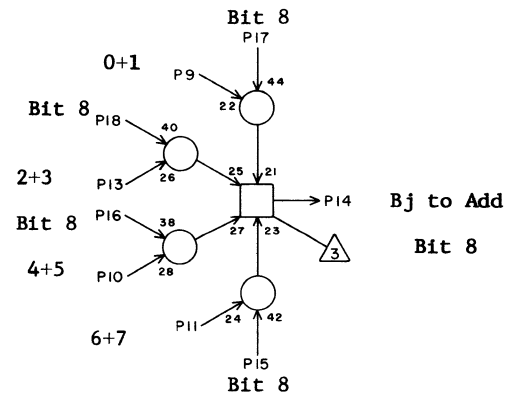
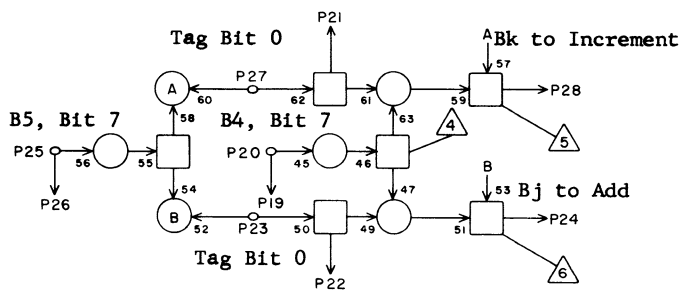
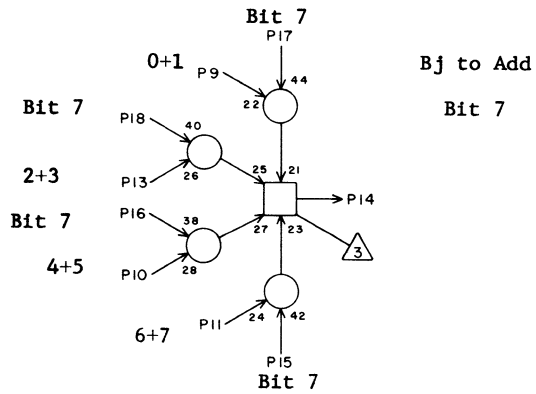


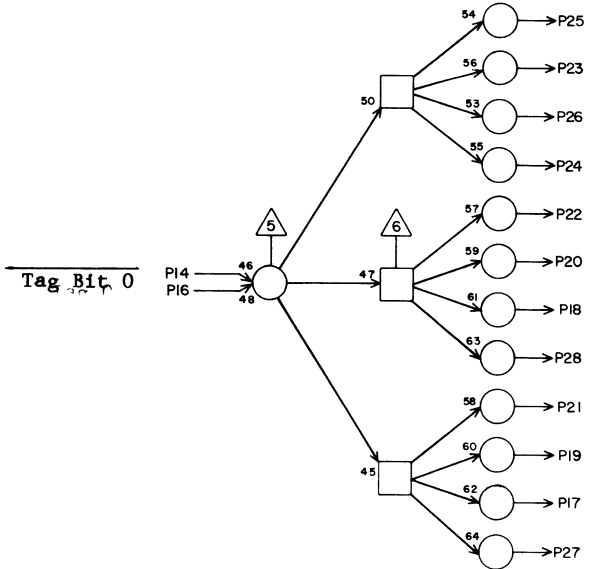
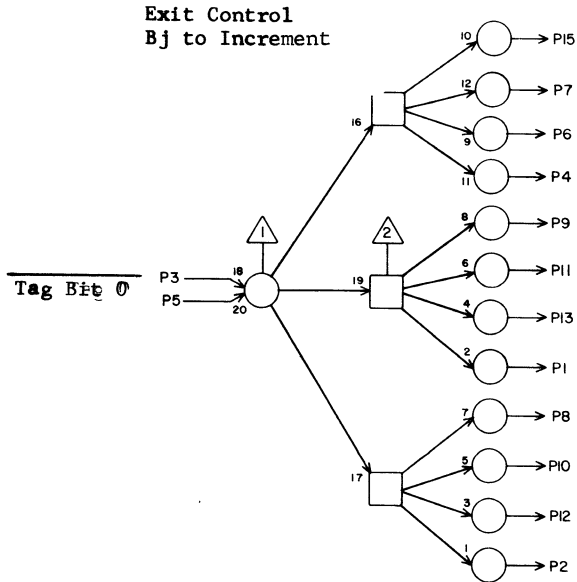
RH **7Q 32**

1	L29	16	23
2	R24	21	13
3			
4	Q32	19	5
5	Q32	16	3
6			
7	Q32	26	5
8	R24	22	13
9	M27	12	21
10	N27	12	17
11	N27	26	17
12			
13	M27	26	
14	L37	24	21
15	Q42	5	13
16	Q32	5	3
17	P24	5	13
18	Q21	5	13
19	Q32	4	5
20	R 2	6	29
21	R24	2	13
22	R24	8	13
23	Q33	12	3
24	Q21	16	15
25	R 5	6	27
26	Q32	7	5
27	Q22	17	15
28	P24	16	13

JACK PIN LG

63017300 Rev. D

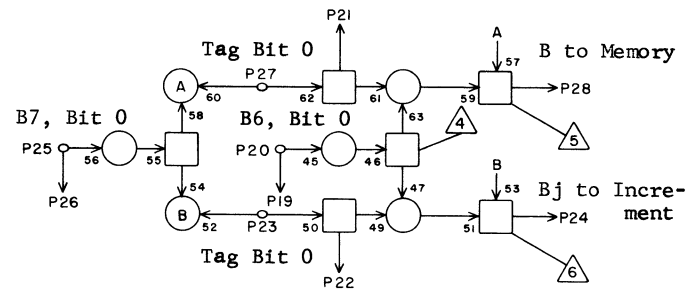
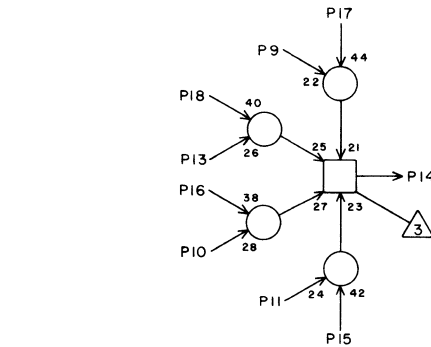
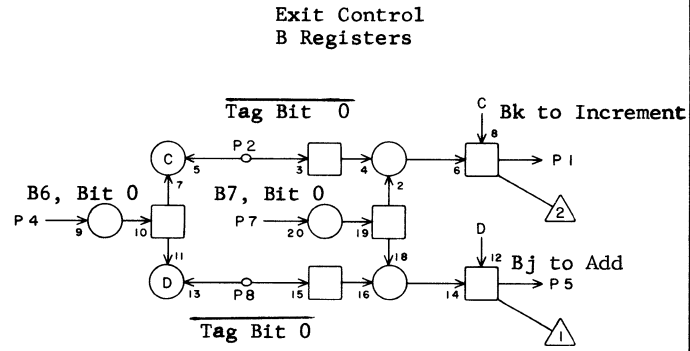




TC 7Q 33

1	Q26	23	9
2	R25	23	13
3	P23	2	15
4	R16	23	21
5	gnd		2
6	R14	23	23
7	Q21	23	15
8	Q28	23	9
9	R18	23	17
10	Q30	23	9
11	R20	23	17
12	Q32	23	3
13	Q24	23	13
14	P23	12	15
15	Q19	23	15
16	gnd		2
17	R39	23	11
18	Q40	23	11
19	R37	23	11
20	Q38	23	9
21	R35	23	9
22	Q36	23	9
23	R29	23	9
24	Q34	23	3
25	R27	23	11
26	R31	23	9
27	R41	23	13
28	Q42	23	13
	JACK	PIN	LG

63017300 Rev. D

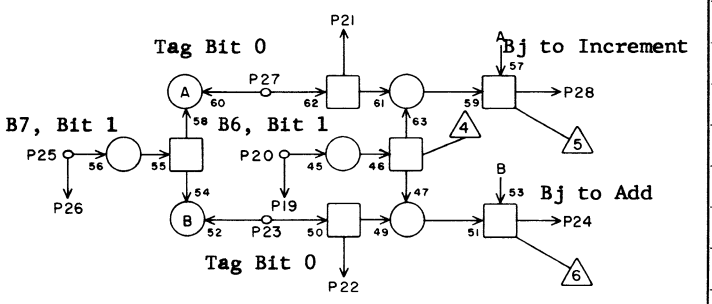
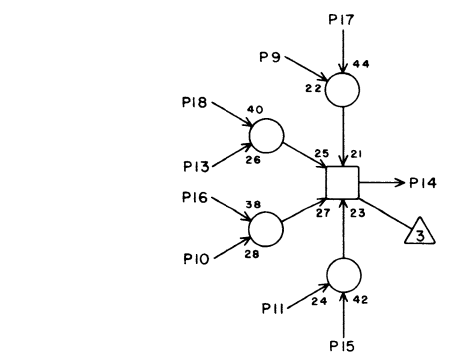
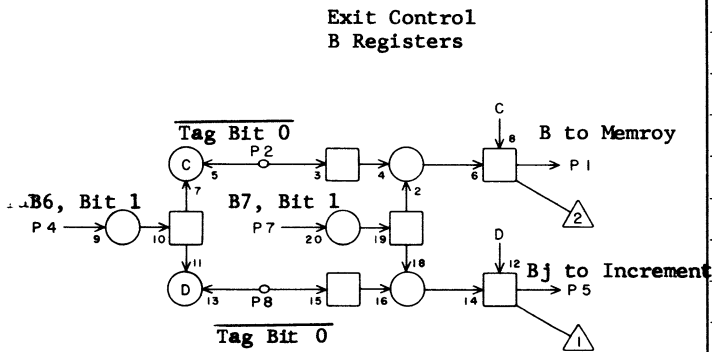


RH 7Q 34

1	L27	2	23
2	Q35	21	5
3			
4	Q34	19	5
5	Q24	15	13
6			
7	Q34	26	5
8	Q35	22	5
9			
10			
11			
12			
13			
14			
15			
16			
17			
18			
19	Q34	4	5
20	R 7	11	27
21	Q35	2	5
22	Q35	8	5
23	Q33	24	3
24	Q13	15	23
25	R10	11	27
26	Q34	7	5
27	Q23	4	15
28	Q27	15	15
	JACK	PIN	LG

63017300 Rev. L

7Q34

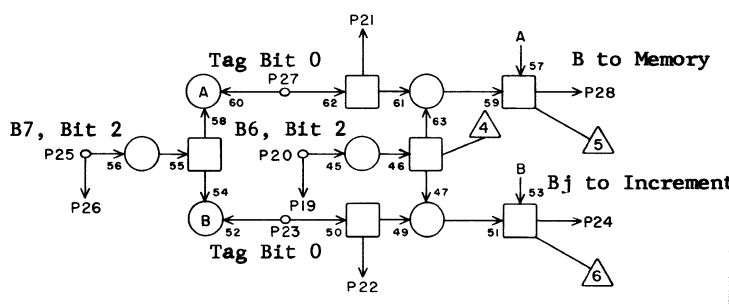
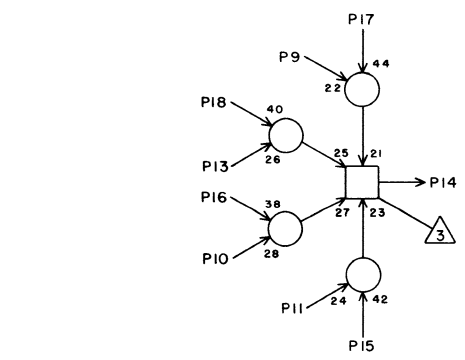
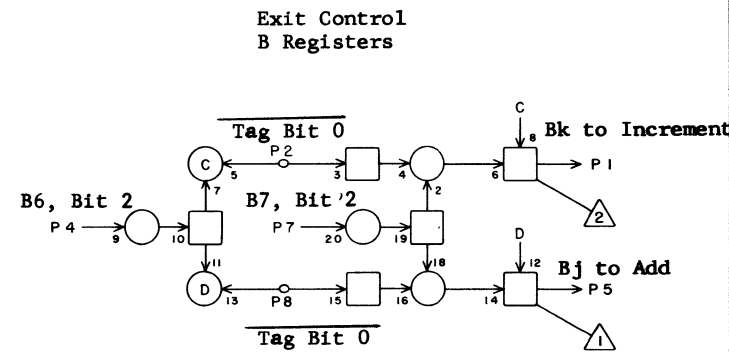


RH 7Q 35

1	Q28	15	13
2	Q34	21	5
3			
4	Q35	19	5
5	Q14	15	23
6			
7	Q35	26	5
8	Q34	22	5
9			
10			
11			
12			
13			
14			
15			
16			
17			
18			
19	Q35	4	5
20	R 7	7	27
21	Q34	2	5
22	Q34	8	5
23	P34	24	9
24	Q25	15	13
25	R 10	7	25
26	Q35	7	5
27	R33	4	5
28	L27	17	25

JACK PIN LG

63017300 Rev. D



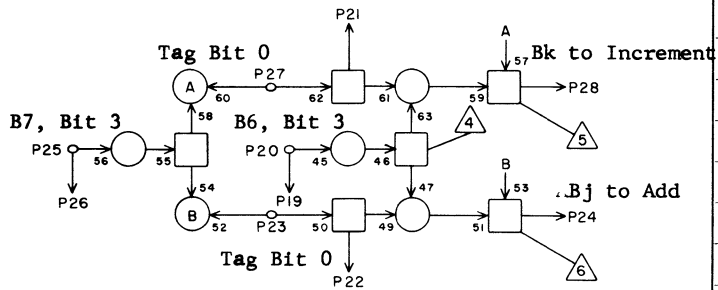
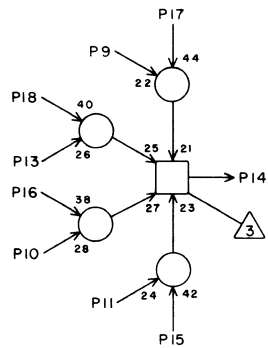
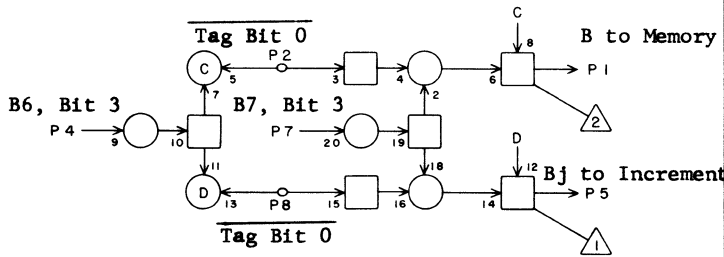
RH 7Q 36

1	L27	26	25
2	Q37	21	5
3			
4	Q36	19	5
5	Q26	15	13
6			
7	Q36	26	5
8	Q37	22	5
9			
10			
11			
12			
13			
14			
15			
16			
17			
18			
19	Q36	4	5
20	R 7	6	29
21	Q37	2	5
22	Q37	8	5
23	Q33	22	9
24	Q15	15	23
25	R 10	6	27
26	Q36	7	5
27	Q23	9	15
28	Q29	15	15

JACK PIN LG

63017300 Rev. D

Exit Control  
B Registers

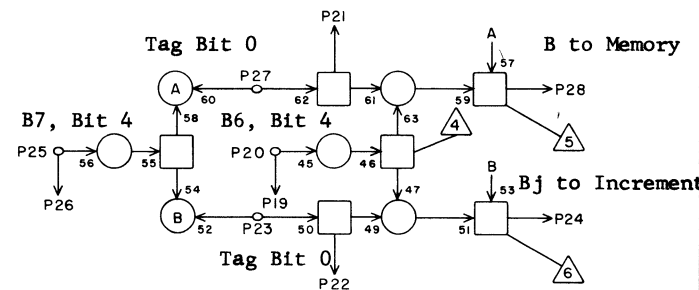
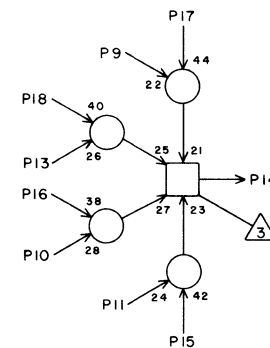
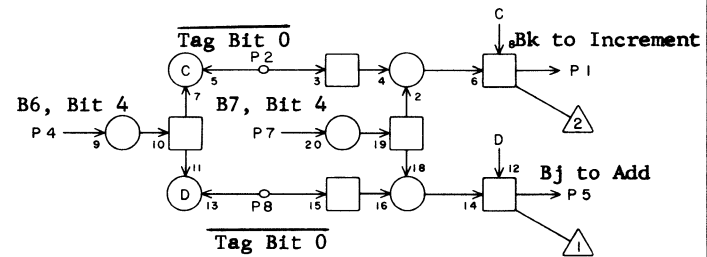


RH 7Q 37

1	O30	15	13
2	Q36	21	5
3			
4	Q37	19	5
5	Q16	15	23
6			
7	Q37	26	5
8	Q36	22	5
9			
10			
11			
12			
13			
14			
15			
16			
17			
18			
19	Q37	4	5
20	R 7	16	29
21	Q36	2	5
22	Q36	8	5
23	P34	22	9
24	Q27	15	13
25	R10	16	27
26	Q37	7	5
27	R33	9	9
28	L28	2	25

JACK PIN LG

Exit Control  
B Registers

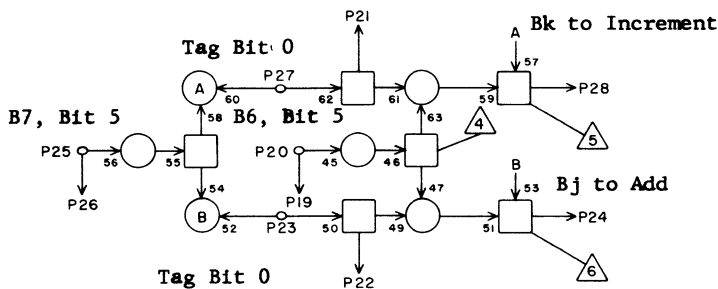
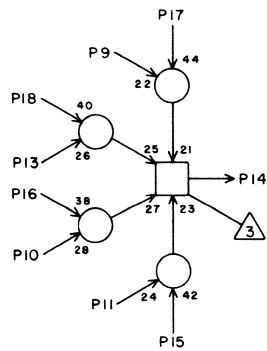
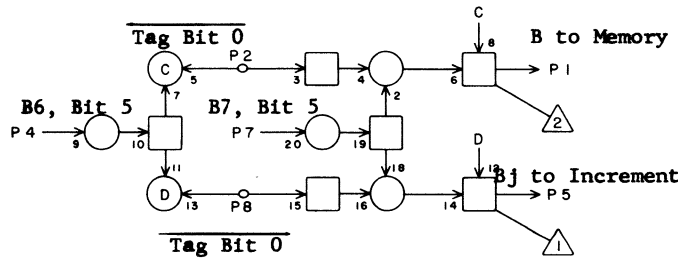


RH 7Q 38

1	L28	17	23
2	Q39	21	5
3			
4	Q38	19	5
5	Q28	15	15
6			
7	Q38	26	5
8	Q39	22	5
9			
10			
11			
12			
13			
14			
15			
16			
17			
18			
19	Q38	4	5
20	R 7	26	29
21	Q39	2	7
22	Q39	8	5
23	Q33	20	9
24	Q17	15	23
25	R10	26	27
26	Q38	7	5
27	Q23	11	19
28	Q31	15	15

JACK PIN LG

**Exit Control  
B Registers**



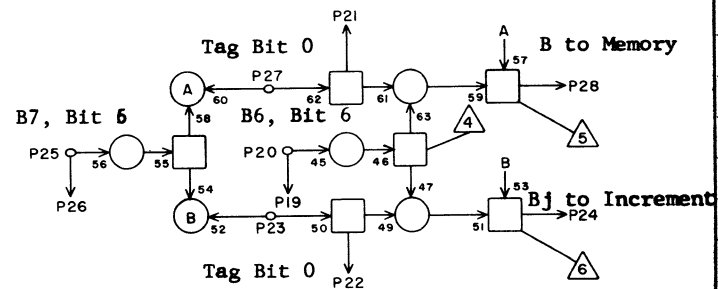
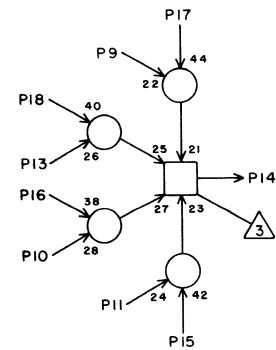
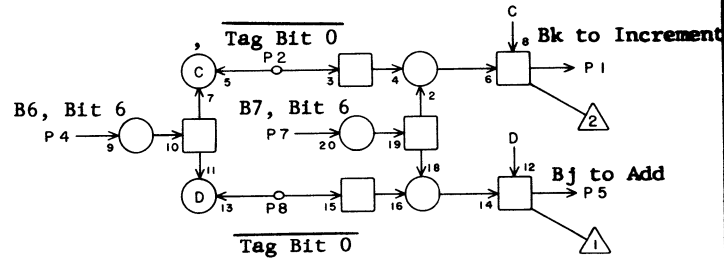
RH 7Q 39

1	Q32	15	15
2	Q38	21	7
3			
4	Q39	19	3
5	Q18	15	23
6			
7	Q39	26	5
8	Q38	22	5
9			
10			
11			
12			
13			
14			
15			
16			
17			
18			
19	Q39	4	5
20	R 7	27	31
21	Q38	2	5
22	Q38	8	5
23	P34	20	11
24	Q29	15	13
25	R10	27	29
26	Q39	7	5
27	R33	11	11
28	L28	26	25

JACK PIN LG

RH 7Q 40

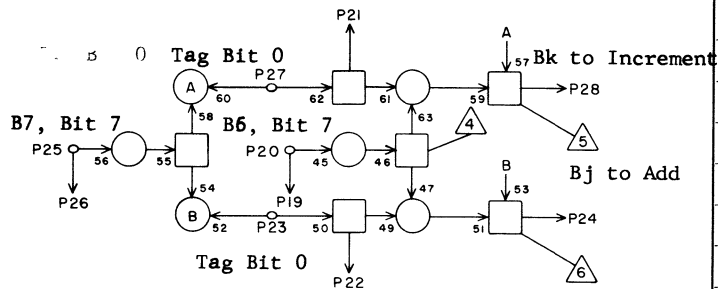
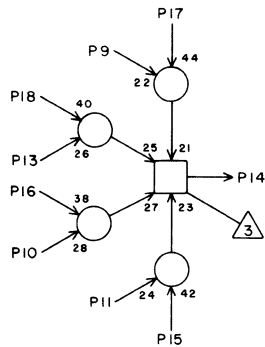
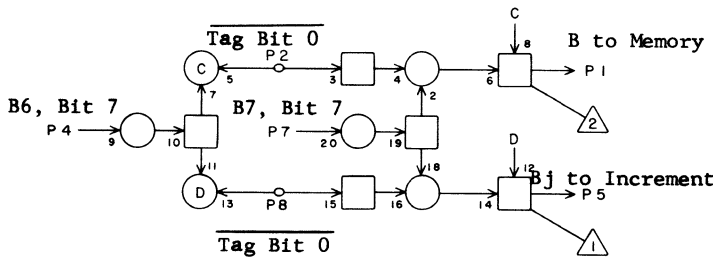
**Exit Control  
B Registers**



1	L29	2	25
2	Q41	21	5
3			
4	Q40	19	5
5	Q30	15	13
6			
7	Q40	26	5
8	Q41	22	5
9			
10			
11			
12			
13			
14			
15			
16			
17			
18			
19	Q40	4	5
20	R 8	11	31
21	Q41	2	5
22	Q41	8	5
23	Q33	18	11
24	Q19	15	23
25	R11	11	29
26	Q40	7	5
27	Q23	13	21
28	Q33	15	15

JACK PIN LG

Exit Control  
B Registers

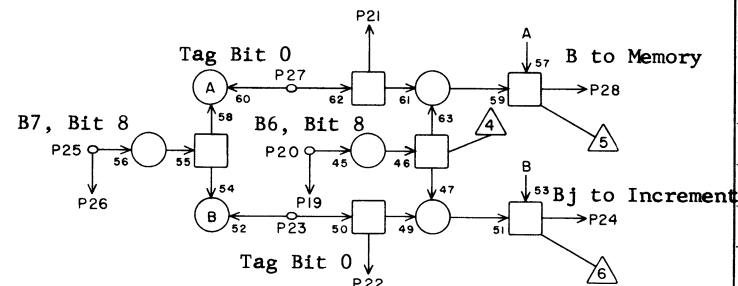
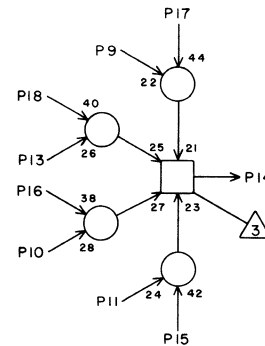
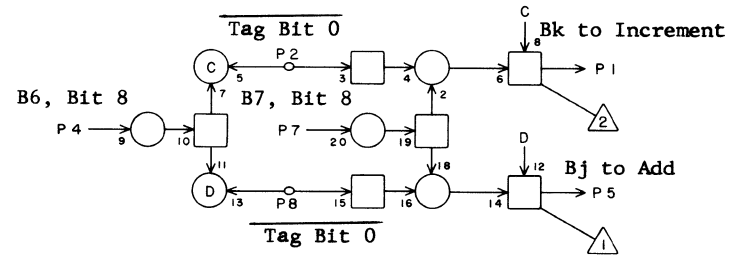


RH 7Q 41

1	O34	15	15
2	Q40	21	5
3			
4	Q41	19	5
5	Q20	15	23
6			
7	Q41	26	5
8	Q40	22	5
9			
10			
11			
12			
13			
14			
15			
16			
17			
18			
19	Q41	4	5
20	R 8	7	33
21	Q40	2	5
22	Q40	8	5
23	P34	18	11
24	Q31	15	13
25	R11	7	31
26	Q41	7	5
27	R33	13	13
28	L29	17	25

JACK PIN LG

Exit Control  
B Registers

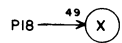
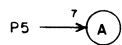
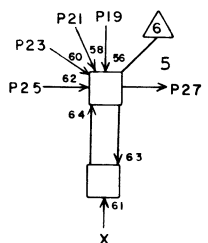
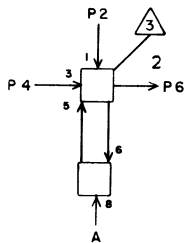
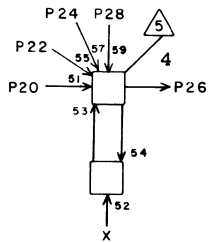
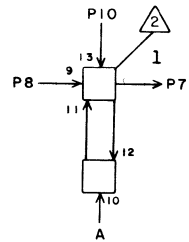
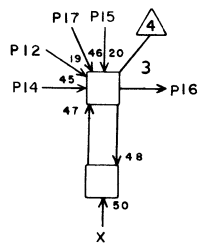
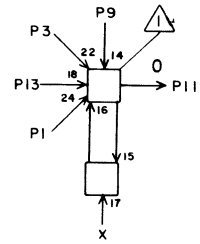


RH 7Q 42

1	L29	26	25
2	R34	21	13
3			
4	Q42	19	5
5	Q32	15	13
6			
7	Q42	26	5
8	R34	22	13
9			
10			
11			
12			
13			
14			
15			
16			
17			
18			
19	Q42	4	5
20	R 8	6	33
21	R34	2	13
22	R34	8	13
23	Q33	28	13
24	Q21	15	23
25	R11	6	31
26	Q42	7	5
27	Q23	1	23
28	P24	15	23

JACK PIN LG

Operating Register B4

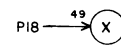
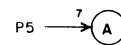
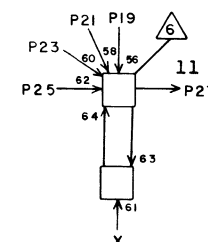
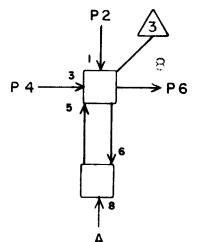
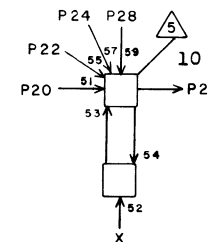
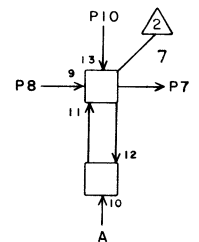
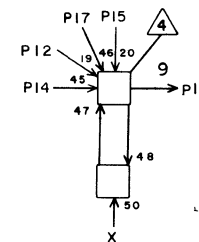
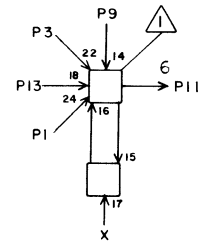


RD 7R 1

1	M30	8	33
2	O39	13	37
3	gnd		2
4	M30	11	33
5	Q11	2	13
6	Q26	20	25
7	Q25	20	25
8	M30	18	33
9	gnd		2
10	O39	18	37
11	Q24	20	25
12	O39	23	37
13	O39	8	37
14	M30	23	35
15	gnd		2
16	Q27	20	25
17	gnd		2
18	Q11	4	13
19	gnd		2
20	M32	8	35
21	gnd		2
22	O41	8	39
23	O41	18	39
24	gnd		2
25	M32	18	35
26	Q28	20	27
27	Q29	20	27
28	gnd		2

JACK PIN LG

Operating Register B4



RD 7R 2

1	M32	11	35
2	P38	8	35
3	gnd		2
4	N29	8	33
5	Q11	6	13
6	Q32	20	29
7	Q31	20	29
8	M32	23	35
9	gnd		2
10	O41	23	39
11	Q30	20	27
12	P38	18	35
13	O41	13	39
14	N29	18	31
15	gnd		2
16	R24	20	21
17	gnd		2
18	Q11	9	13
19	gnd		2
20	N29	11	31
21	gnd		2
22	P38	13	35
23	P38	23	35
24	gnd		2
25	N29	23	33
26	R25	20	25
27	R26	20	25
28	gnd		2

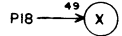
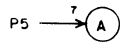
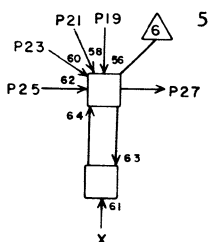
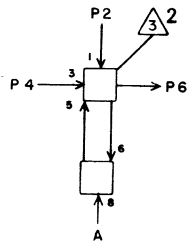
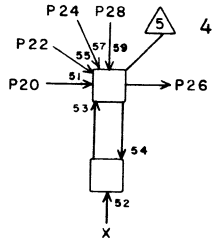
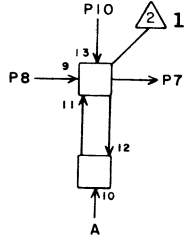
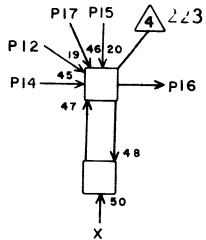
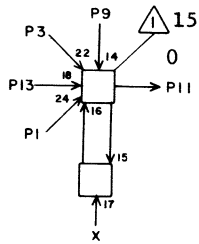
JACK PIN LG







Operating Registers B6



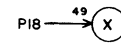
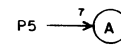
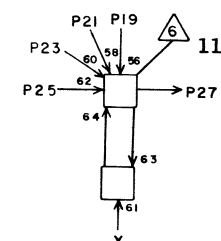
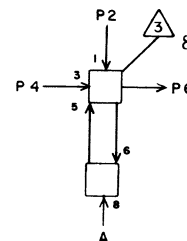
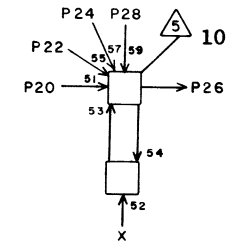
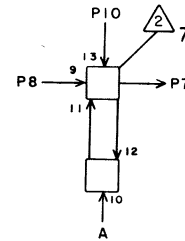
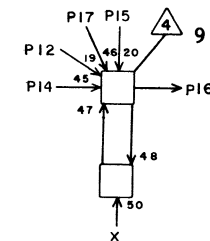
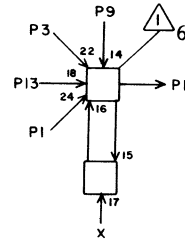
RD **7 R 7**

1	M30	14	33
2	O39	7	35
3	gnd		2
4	M30	5	33
5	Q12	2	9
6	Q36	20	29
7	Q35	20	27
8	M30	22	33
9	gnd		2
10	O39	22	33
11	Q34	20	27
12	O39	19	33
13	O39	14	33
14	M30	19	35
15	gnd		2
16	Q37	20	29
17	gnd		2
18	Q12	4	9
19	gnd		2
20	M32	14	33
21	gnd		2
22	O41	14	35
23	O41	22	35
24	gnd		2
25	M32	22	33
26	Q38	20	29
27	Q39	20	31
28	gnd		2

JACK PIN LG

63017300 Rev. D

Operating Register B.6



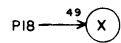
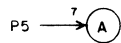
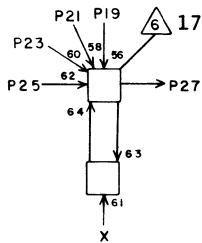
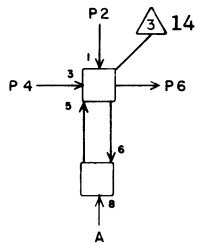
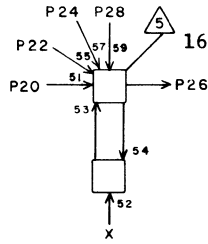
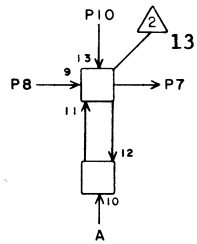
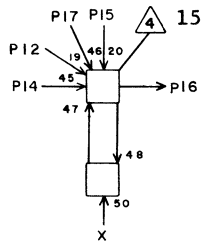
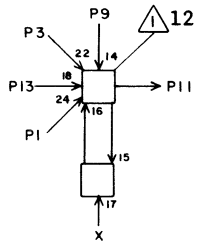
RD **7 R 8**

1	M32	5	33
2	P38	14	31
3	gnd		2
4	N29	14	29
5	Q12	6	9
6	Q42	20	33
7	Q41	20	33
8	M32	19	33
9	gnd		2
10	O41	19	33
11	Q40	20	31
12	P38	22	31
13	O41	7	33
14	N29	22	27
15	gnd		2
16	R34	20	27
17	gnd		2
18	Q12	9	9
19	gnd		2
20	N29	5	29
21	gnd		2
22	P38	7	31
23	P38	19	31
24	gnd		2
25	N29	19	27
26	R35	20	27
27	R36	20	27
28	gnd		2

JACK PIN LG

63017300 Rev. D

Operating Registers B6

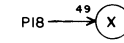
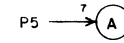
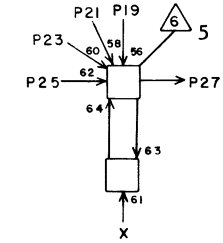
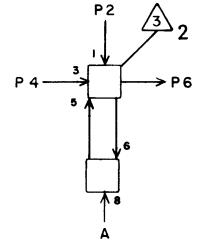
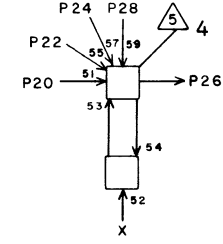
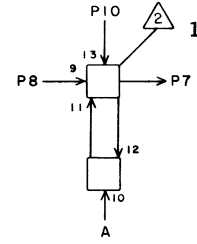
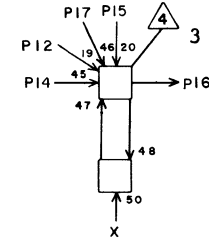
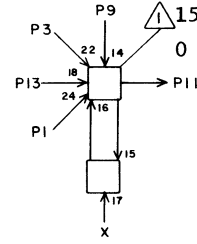


RD 7k 9

1	N31	14	27
2	P40	7	31
3	GND		2
4	N31	5	27
5	Q12	11	9
6	R39	20	29
7	R38	20	27
8	N31	22	27
9	GND		2
10	P40	22	31
11	R37	20	27
12	P40	19	31
13	P40	14	31
14	N31	19	27
15	GND		2
16	R40	20	31
17	GND		2
18	Q12	13	9
19	GND		2
20	N33	14	29
21	GND		2
22	P42	14	33
23	P42	22	33
24	GND		2
25	N33	22	29
26	R41	20	31
27	R42	20	33
28	GND		2

JACK PIN LG

Operating Register B7

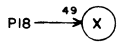
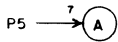
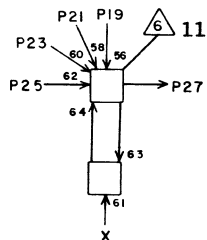
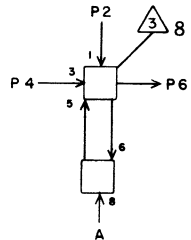
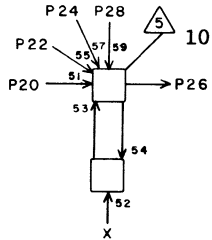
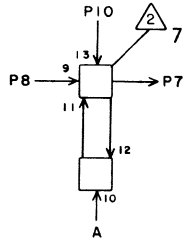
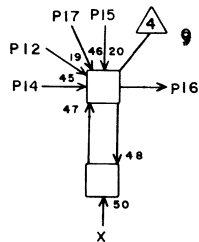
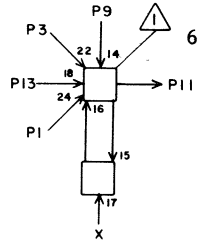


RD 7R10

1	M30	12	29
2	O39	9	31
3	GND		2
4	M30	7	29
5	Q12	16	7
6	Q36	25	27
7	Q35	25	25
8	M30	24	29
9	GND		2
10	O39	24	31
11	Q34	25	27
12	O39	17	31
13	O39	12	31
14	M30	17	29
15	GND		2
16	Q37	25	27
17	GND		2
18	Q12	18	7
19	GND		2
20	M32	12	33
21	GND		2
22	O41	12	33
23	O41	24	33
24	GND		2
25	M32	24	33
26	Q38	25	27
27	Q39	25	29
28	GND		2

JACK PIN LG

Operating Register B7



RD

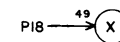
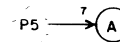
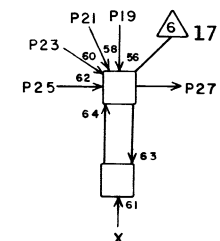
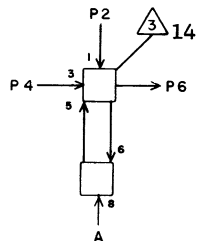
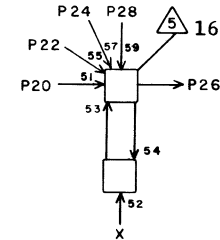
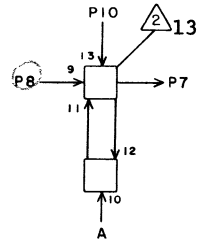
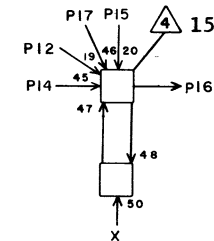
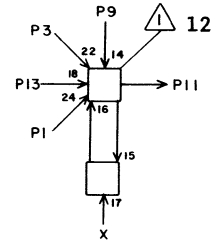
7R11

1	M32	7	29
2	P38	12	29
3	GND		2
4	N29	12	25
5	Q12	20	7
6	Q42	25	31
7	Q41	25	31
8	M32	17	29
9	GND		2
10	O41	17	33
11	Q40	25	29
12	P38	24	29
13	O41	9	33
14	N29	24	27
15	GND		2
16	R34	25	23
17	GND		2
18	Q12	24	7
19	GND		2
20	N29	7	33
21	GND		2
22	P38	9	29
23	P38	17	29
24	GND		2
25	N29	17	31
26	R35	25	25
27	R36	25	25
28	GND		2

JACK PIN LG

63017300 Rev. D

Operating Register B7



RD

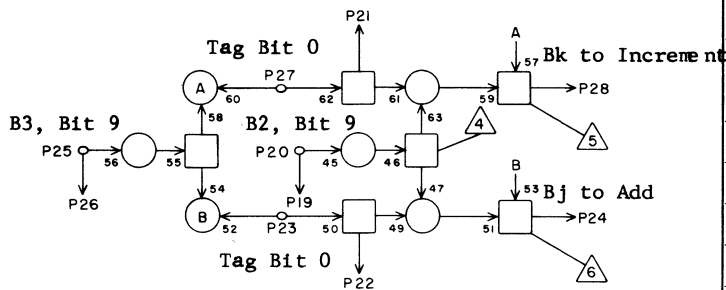
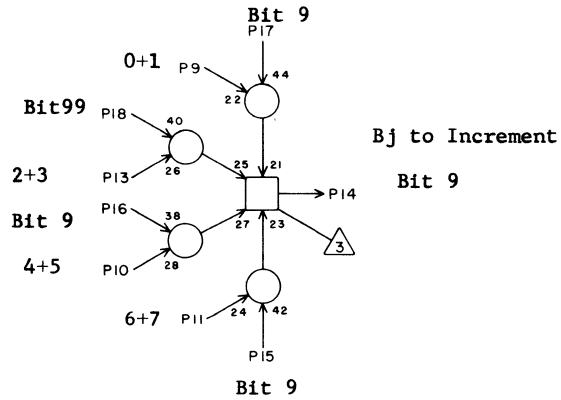
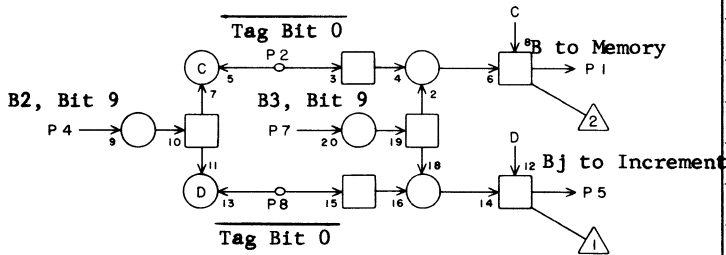
7R12

1	N31	12	25
2	P40	9	29
3	GND		2
4	N31	7	25
5	Q12	17	5
6	R39	25	27
7	R38	25	25
8	N31	24	27
9	GND		2
10	P40	24	29
11	R37	25	25
12	P40	17	29
13	P40	12	29
14	N31	17	27
15	GND		2
16	R40	25	27
17	GND		2
18	Q12	19	7
19	GND		2
20	N33	12	29
21	GND		2
22	P42	12	31
23	P42	24	31
24	GND		2
25	N33	24	29
26	R41	25	29
27	R42	25	31
28	GND		2

JACK PIN LG

63017300 Rev. D

Exit Control  
B Registers



RH 7R13

1	P25	18	17
2	Q21	21	11
3			
4	R13	19	3
5	R13	18	5
6			
7	R13	26	5
8	Q21	22	11
9	P16	14	11
10	P17	14	11
11	P17	28	11
12			
13	P16	28	9
14	K30	7	33
15	R34	5	23
16	R24	5	13
17	P25	5	17
18	R13	5	5
19	R13	4	3
20	N20	6	21
21	Q21	2	13
22	Q21	8	13
23	P34	7	23
24	R24	18	13
25	O20	6	17
26	R13	7	5
27	R22	20	11
28	L30	7	33

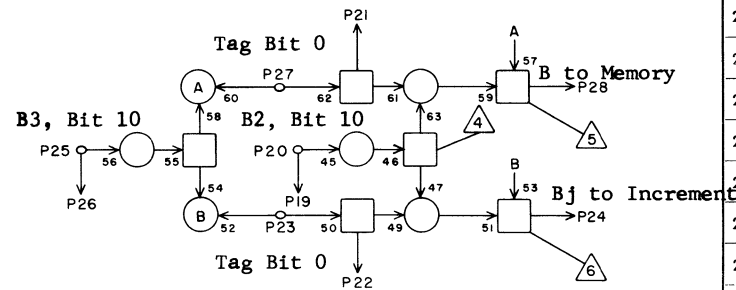
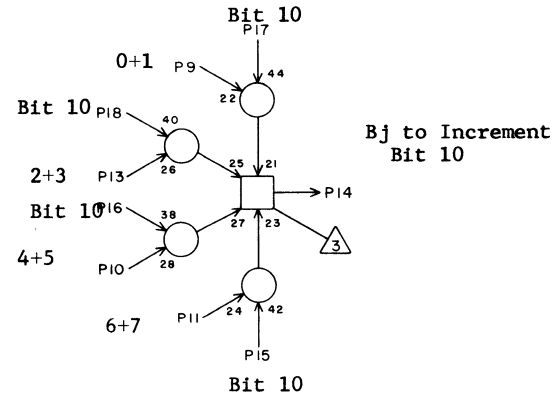
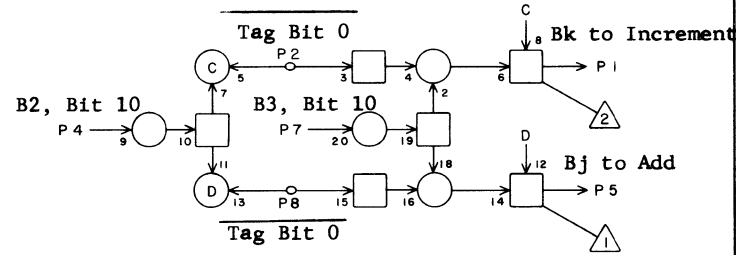
JACK PIN LG

RH 7R14

1	L30	19	33
2	R15	21	5
3			
4	R14	19	5
5	R25	18	13
6			
7	R14	26	5
8	R15	22	5
9	P19	27	13
10	P20	10	13
11	P20	27	13
12			
13	P19	21	13
14	K30	19	33
15	R35	24	21
16	R25	24	13
17	P26	24	17
18	R14	24	3
19	R14	4	5
20	N22	7	21
21	R15	2	5
22	R15	8	5
23	Q33	6	23
24	R14	18	3
25	O22	7	19
26	R14	7	5
27	Q22	26	13
28	P26	18	17

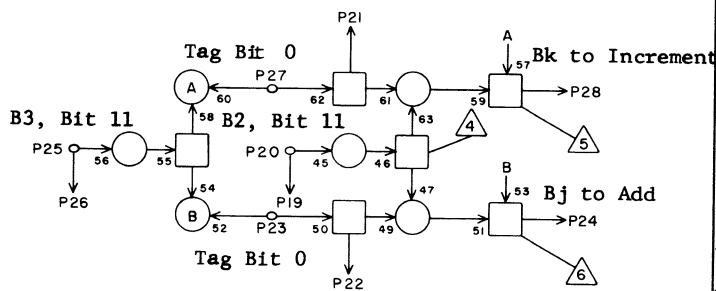
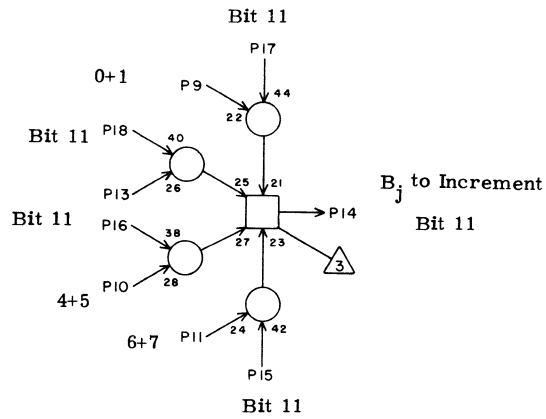
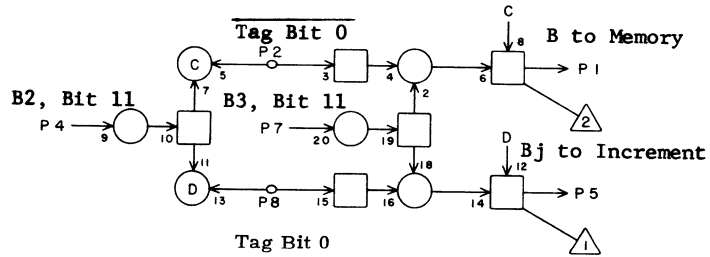
JACK PIN LG

Exit Control  
B Registers



RH 7R15

Exit Control  
B Registers

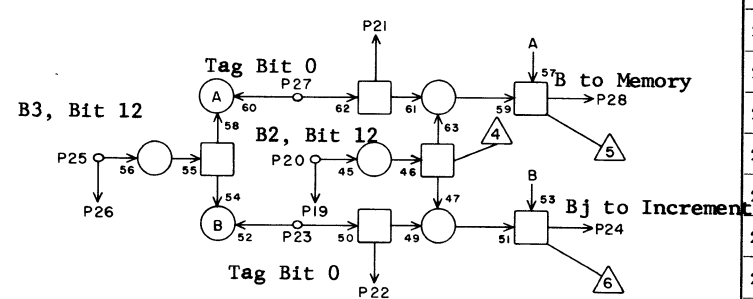
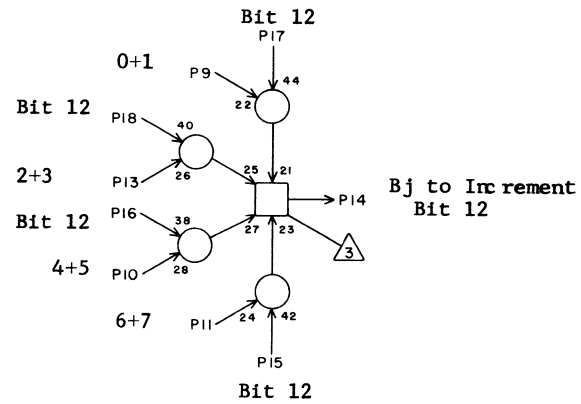
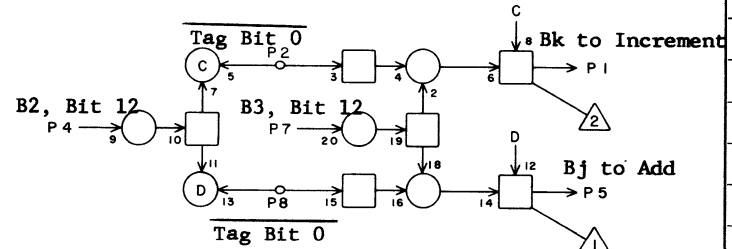


1	P27	18	15
2	R14	21	5
3			
4	R15	19	5
5	R15	18	5
6			
7	R15	26	5
8	R14	22	5
9	P19	25	11
10	P20	8	13
11	P20	25	11
12			
13	P19	19	11
14	K30	28	33
15	R36	5	21
16	R26	5	13
17	P27	5	17
18	R15	5	5
19	R15	4	5
20	N22	6	21
21	R14	2	5
22	R14	8	5
23	P34	6	23
24	R26	18	13
25	O22	6	17
26	R15	7	5
27	R22	26	11
28	L30	28	33

JACK PIN LG

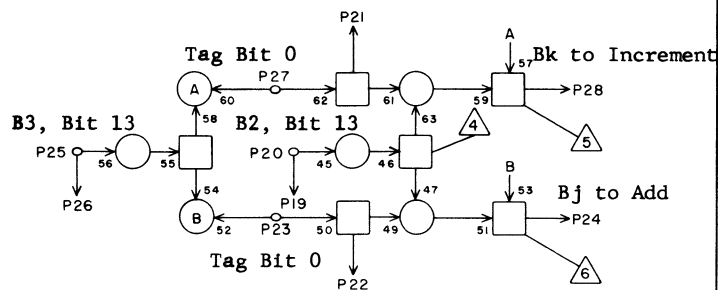
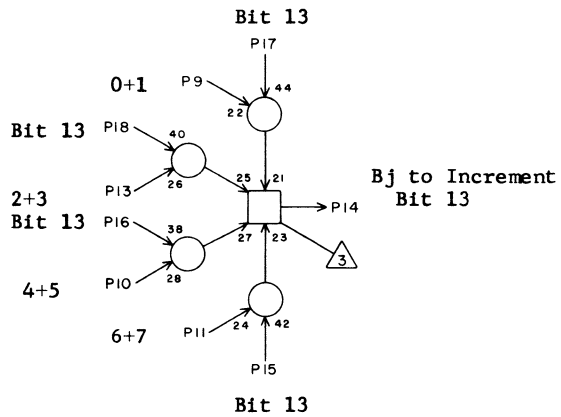
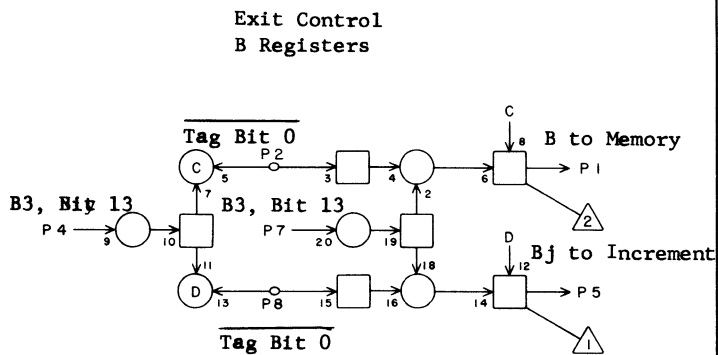
RH 7R16

Exit Control  
B Registers



1	L31	7	33
2	R17	21	5
3			
4	R16	19	5
5	R27	18	13
6			
7	R16	26	5
8	R17	22	5
9	P19	24	11
10	P20	5	13
11	P20	24	11
12			
13	P19	17	11
14	K31	7	33
15	R37	24	21
16	R27	24	13
17	P28	24	17
18	R16	24	3
19	R16	4	5
20	N23	7	21
21	R17	2	5
22	R17	8	5
23	Q33	4	21
24	R16	18	3
25	O23	7	17
26	R16	7	5
27	Q22	24	11
28	P28	18	17

JACK PIN LG

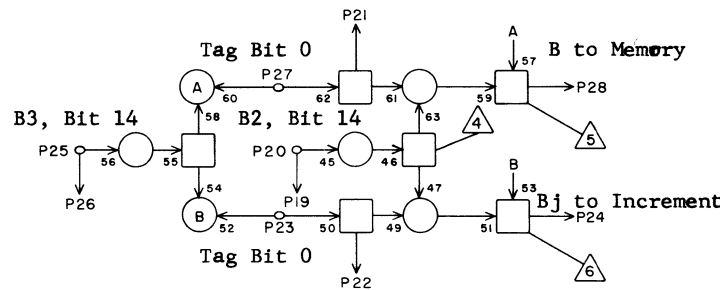
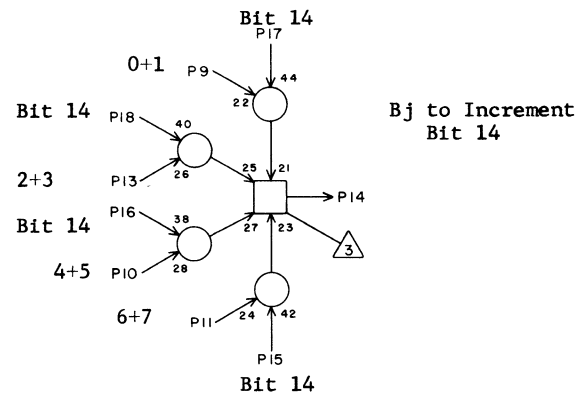
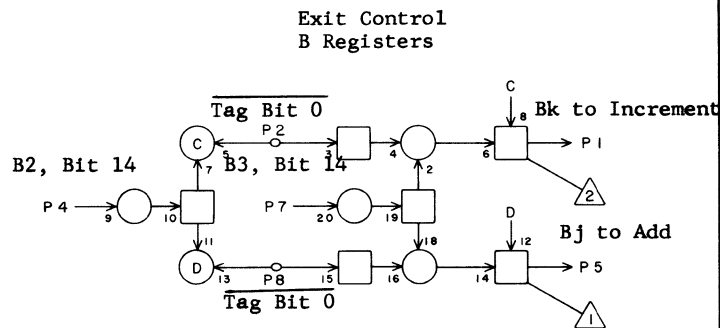


RH 7R17

1	P29	18	15
2	R16	21	5
3			
4	R17	19	5
5	R17	18	5
6			
7	R17	26	5
8	R16	22	5
9	P19	23	11
10	P20	3	13
11	P20	23	11
12			
13	P19	15	11
14	K31	19	33
15	R38	5	21
16	R28	5	15
17	P29	5	17
18	R17	5	5
19	R17	4	5
20	N23	6	21
21	R16	2	5
22	R16	8	5
23	P34	4	21
24	R28	18	13
25	O23	6	17
26	R17	7	5
27	R22	24	9
28	L31	19	29

JACK PIN LG

63017300 Rev. D



RH 7R18

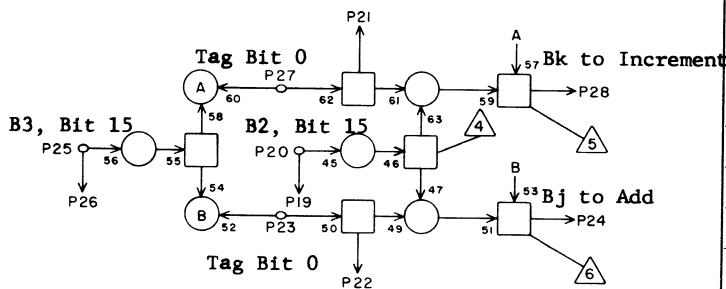
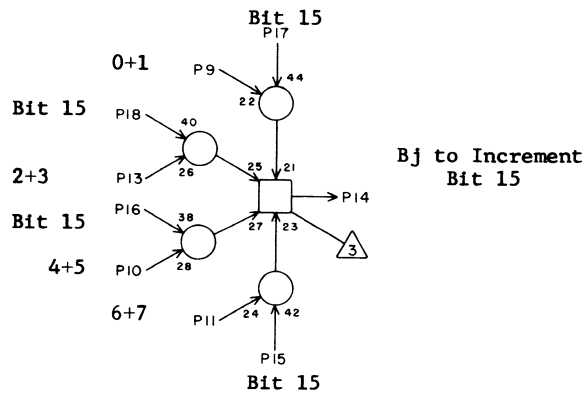
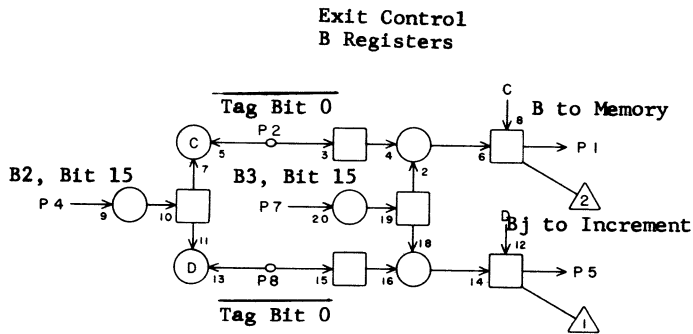
1	L31	28	29
2	R19	21	5
3			
4	R18	19	5
5	R29	18	13
6			
7	R18	26	5
8	R19	22	5
9	P19	2	11
10	P20	9	11
11	P20	2	13
12			
13	P19	26	11
14	K31	28	33
15	R39	24	21
16	R29	24	13
17	P30	24	17
18	R18	24	5
19	R18	4	5
20	N24	7	21
21	R19	2	7
22	R19	8	5
23	Q33	9	17
24	R18	18	5
25	O24	7	17
26	R18	7	5
27	Q22	22	9
28	P30	18	17

JACK PIN LG

7R18

63017300 Rev. D

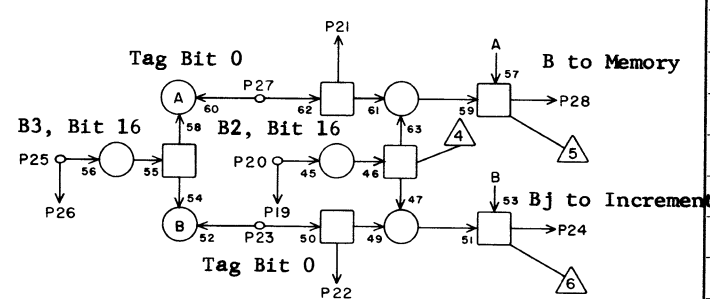
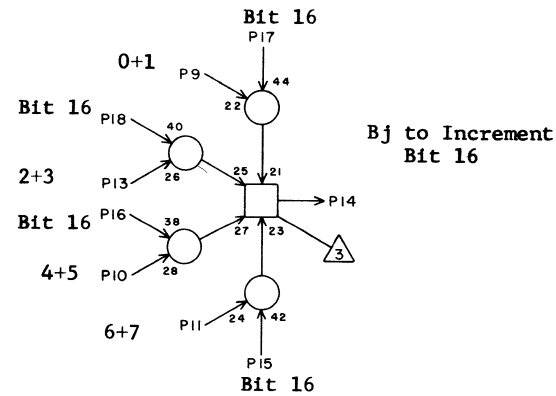
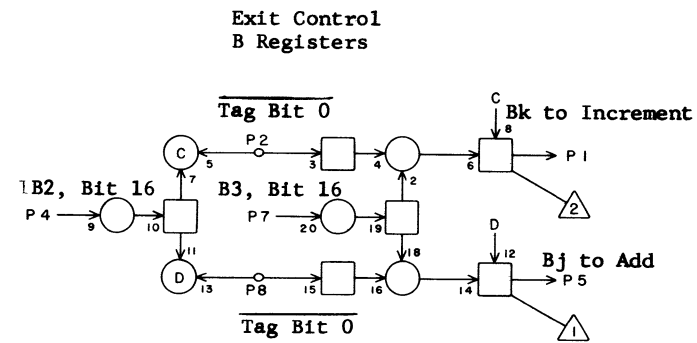




RH		7R19	
1	P31	18	15
2	R18	21	7
3			
4	R19	19	5
5	R19	18	5
6			
7	R19	26	5
8	R18	22	5
9	P19	4	11
10	P20	11	11
11	P20	4	11
12			
13	P19	20	11
14	K32	7	33
15	R40	5	21
16	R30	5	13
17	P31	5	17
18	R19	5	5
19	R19	4	5
20	N24	6	21
21	R18	2	5
22	R18	8	5
23	P34	9	21
24	R30	18	13
25	O24	6	17
26	R19	7	5
27	R22	22	5
28	L32	7	29

JACK PIN LG

63017300 Rev. D



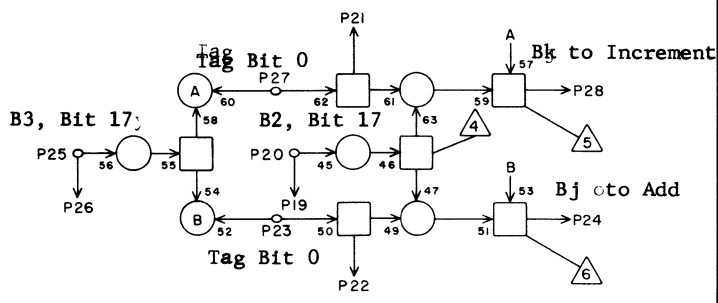
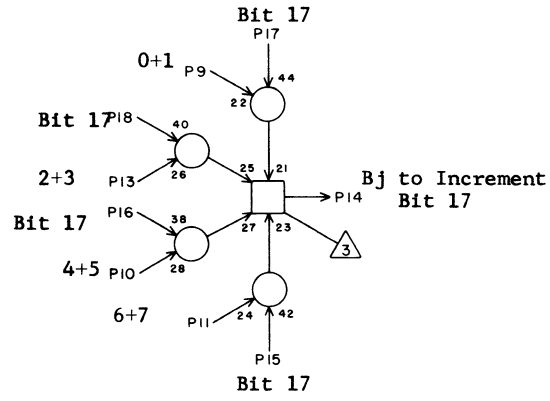
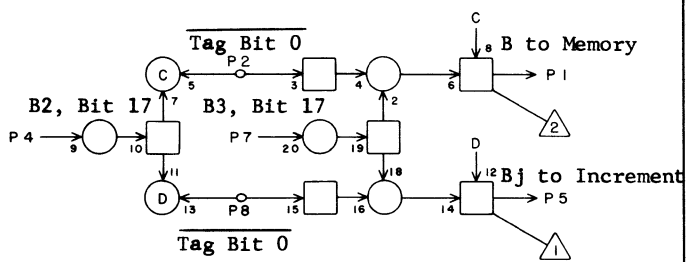
RH		7R20	
1	L32	19	29
2	R21	21	5
3			
4	R20	19	5
5	R31	18	13
6			
7	R20	26	5
8	R21	22	5
9	P19	7	11
10	P20	12	11
11	P20	7	11
12			
13	P19	18	11
14	K32	19	33
15	R41	24	21
16	R31	24	13
17	P32	24	17
18	R20	24	3
19	R20	4	5
20	N25	7	21
21	R21	2	5
22	R21	8	5
23	Q33	11	17
24	R20	18	3
25	O25	7	17
26	R20	7	15
27	Q22	20	9
28	P32	18	17

JACK PIN LG

63017300 Rev. D

RH 7R21

Exit Control B Registers

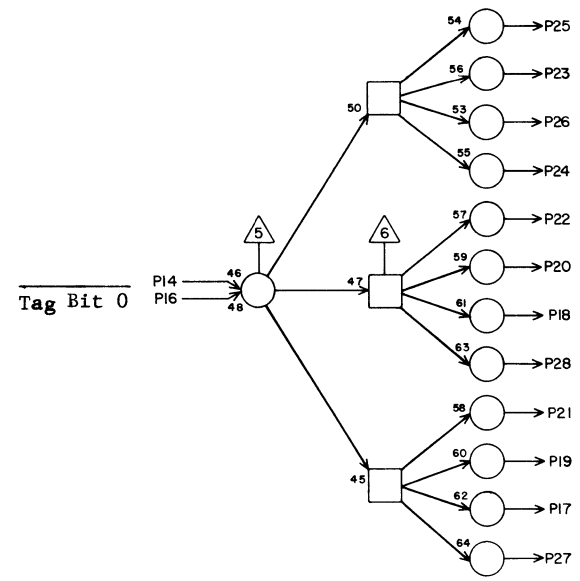
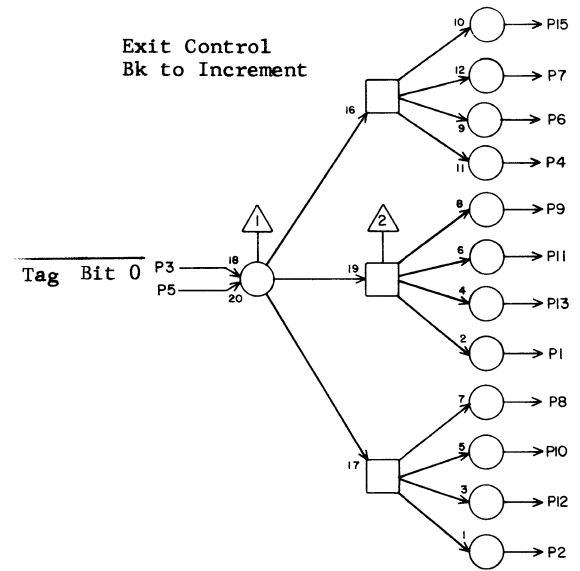


1	P33	18	15
2	R20	21	5
3			
4	R21	19	5
5	R21	18	5
6			
7	R21	26	5
8	R20	22	5
9	P19	6	11
10	P20	14	11
11	P20	6	11
12			
13	P19	22	11
14	K32	28	33
15	R42	5	23
16	R32	5	13
17	P33	5	17
18	R21	5	5
19	R21	4	5
20	N25	6	21
21	R20	2	5
22	R20	8	5
23	P34	11	17
24	R32	18	13
25	O25	6	17
26	R21	7	5
27	R22	20	3
28	L32	28	27

JACK PIN LG

TC 7R22

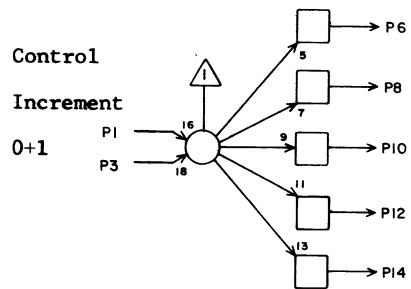
Exit Control Bk to Increment



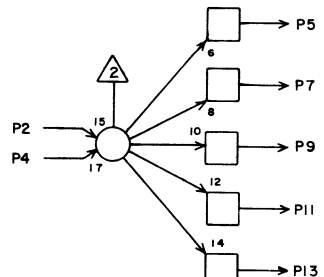
1	P31	27	13
2	Q18	27	9
3	P23	19	11
4	O34	27	21
5	GND		2
6	O32	27	17
7	O30	27	17
8	P33	27	15
9	P25	27	11
10	Q14	27	11
11	P27	27	13
12	Q16	27	11
13	P29	27	13
14	P23	17	11
15	O28	27	15
16	GND		2
17	R24	27	5
18	Q25	27	9
19	Q31	27	13
20	R21	27	3
21	Q29	27	11
22	R19	27	5
23	R13	27	11
24	R17	27	9
25	Q20	27	9
26	R15	27	11
27	R26	27	9
28	Q27	27	9

JACK PIN LG

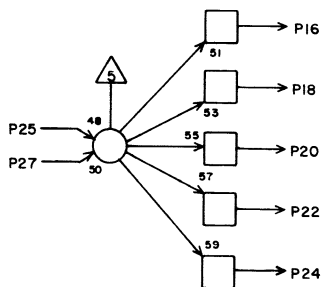
Exit Control  
Bj to Increment



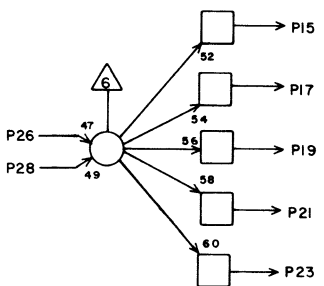
2+3



4+5



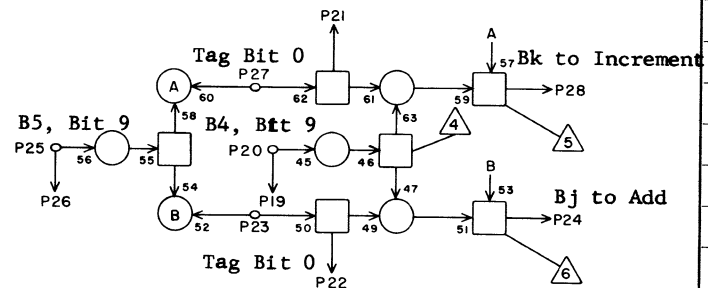
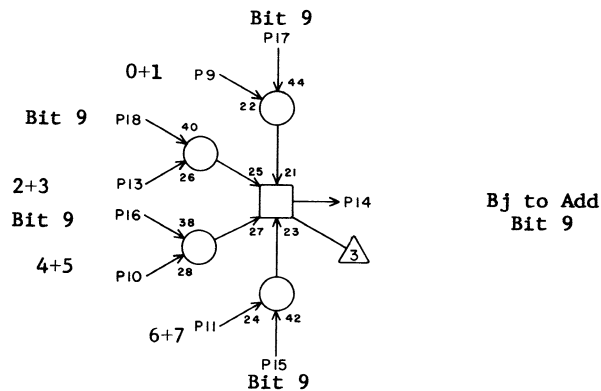
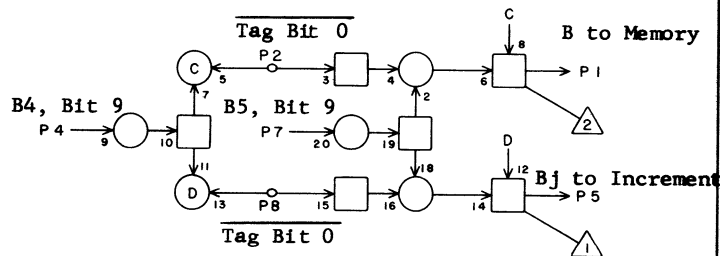
6+7



1	K22	15	29
2	K22	13	
3	E30	14	49
4	GND		2
5	P16	25	15
6	P16	5	15
7	P19	16	13
8	P19	28	13
9			
10			
11			
12			
13			
14			
15	P17	25	15
16	P17	5	15
17	P20	28	13
18	P20	1	15
19			
20			
21			
22			
23			
24			
25	K22	9	33
26	K22	12	33
27	GND		2
28	GND		2

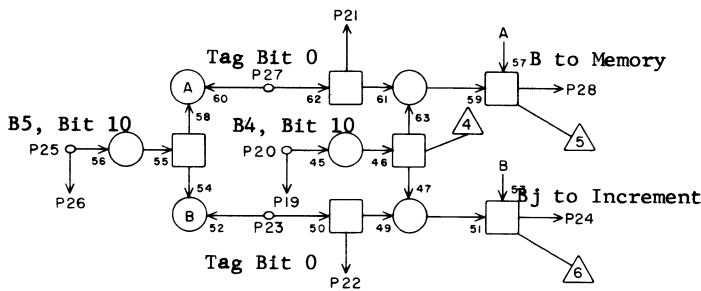
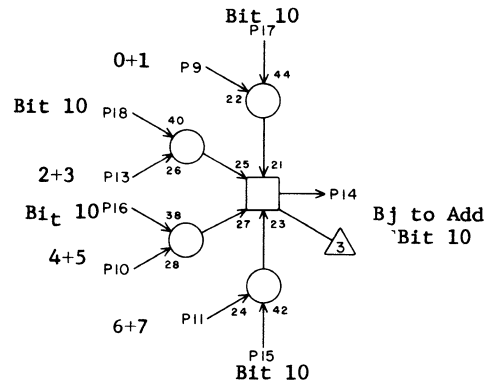
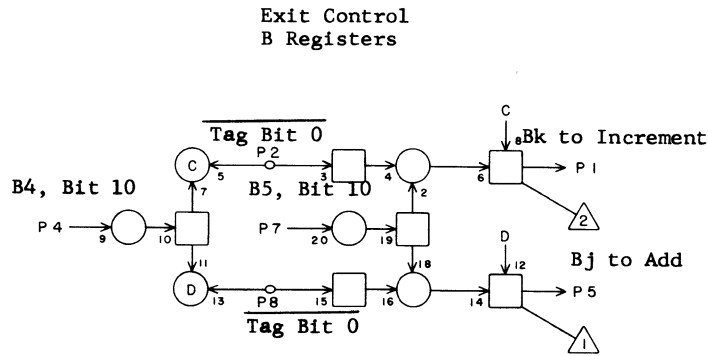
JACK PIN LG

Exit Control  
B Registers



1	P25	16	11
2	Q32	21	13
3			
4	R24	19	5
5	R13	16	13
6			
7	R24	26	5
8	Q32	22	13
9	M27	14	23
10	N27	14	21
11	N27	28	21
12			
13	M27	28	23
14	L38	8	33
15	R34	24	13
16	R24	24	3
17	P25	24	11
18	R13	24	13
19	R24	4	5
20	R 2	16	21
21	Q32	2	13
22	Q32	8	13
23	P34	12	15
24	R24	16	3
25	R 5	16	19
26	R24	7	5
27	R22	17	5
28	L30	4	29

JACK PIN LG

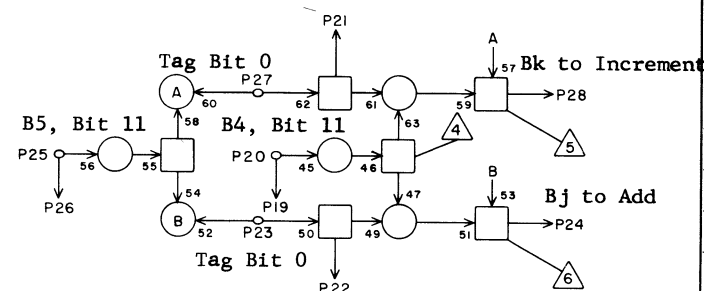
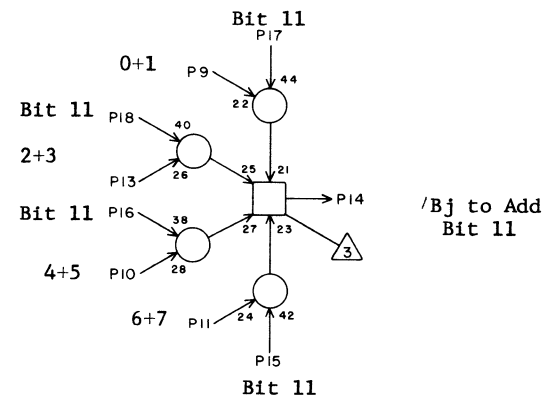
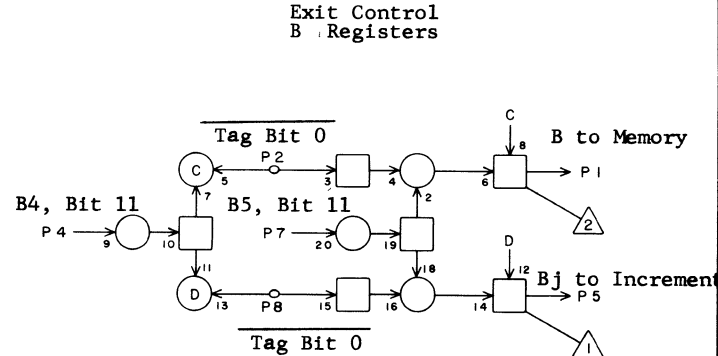


RH 7R25

1	L30	20	27
2	R26	21	5
3			
4	R25	19	5
5	R25	16	5
6			
7	R25	26	5
8	R26	22	5
9	P20	21	11
10	P21	27	11
11	P21	21	11
12			
13	P21	10	11
14	L38	22	27
15	R35	5	13
16	R25	5	5
17	P26	5	13
18	R14	5	13
19	R25	4	5
20	R 2	26	25
21	R26	2	5
22	R26	8	5
23	Q33	2	13
24	R14	16	13
25	R 5	26	21
26	R25	7	5
27	Q22	27	9
28	P26	16	13

JACK PIN LG

63017300 Rev. D



RH 7R26

1	P27	16	11
2	R25	21	5
3			
4	R26	19	5
5	R15	16	13
6			
7	R26	26	5
8	R25	22	5
9	P20	19	11
10	P21	25	11
11	P21	19	11
12			
13	P21	8	11
14	L38	24	27
15	R36	24	13
16	R26	24	3
17	P27	24	11
18	R15	24	13
19	R26	4	5
20	R 2	27	25
21	R25	2	5
22	R25	8	5
23	P34	2	15
24	R26	16	3
25	R 5	27	21
26	R26	7	5
27	R22	27	9
28	L30	16	29

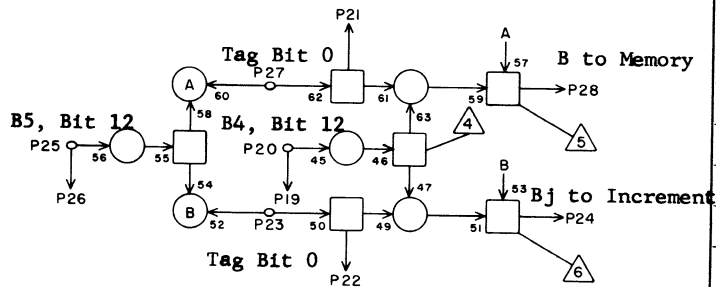
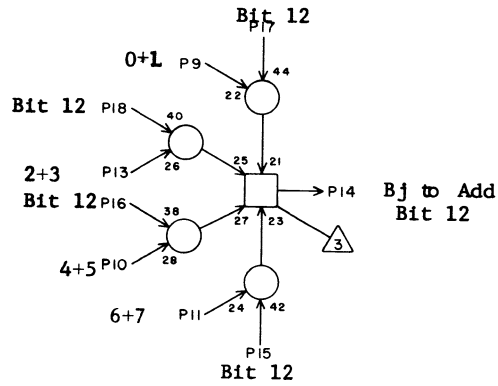
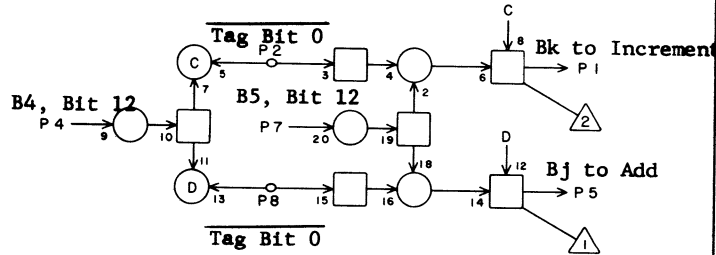
JACK PIN LG

63017300 Rev. D

7R26

RH 7R27

Exit Control  
B Registers

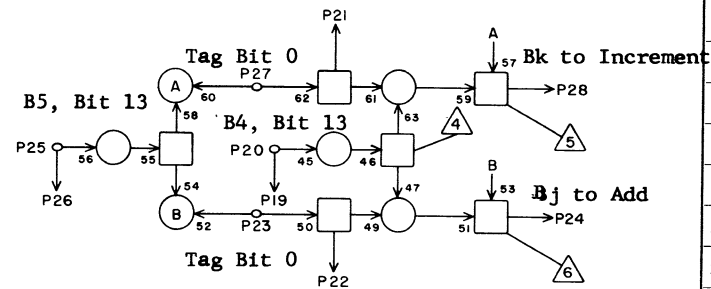
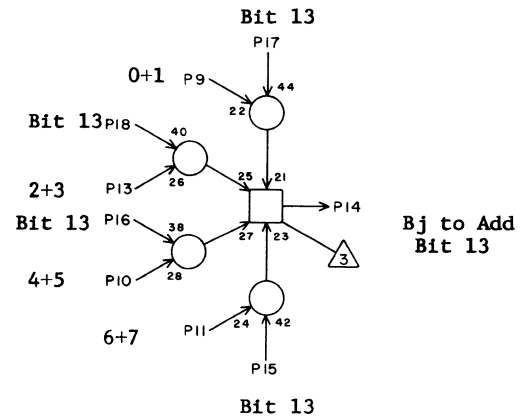
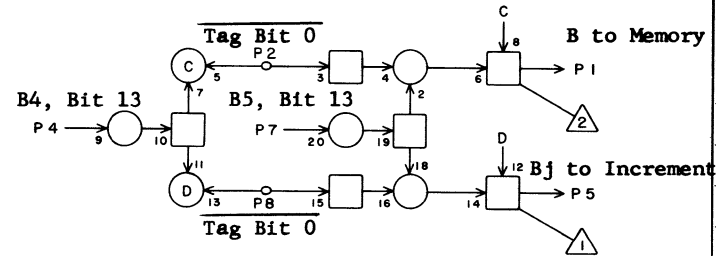


1	L31	4	27
2	R28	21	5
3			
4	R27	19	5
5	R27	16	5
6			
7	R27	26	5
8	R28	22	5
9	P20	17	5
10	P21	24	13
11	P21	17	13
12			
13	P21	5	13
14	L39	8	29
15	R37	5	13
16	R27	5	5
17	P28	5	13
18	R16	5	13
19	R27	4	5
20	R 3	11	25
21	R28	2	5
22	R28	8	5
23	Q33	25	11
24	R16	16	13
25	R 6	11	23
26	R27	7	5
27	Q23	15	11
28	P28	16	13

JACK PIN LG

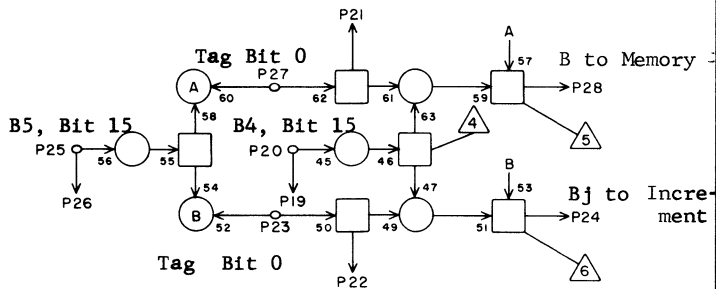
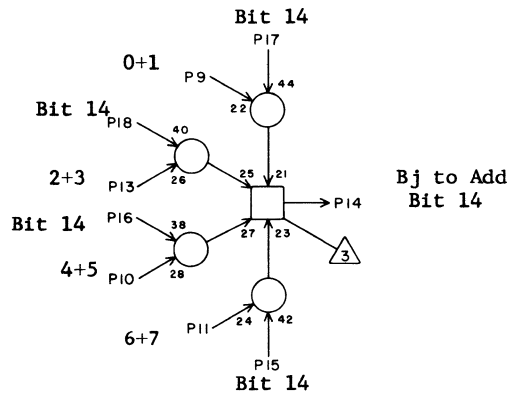
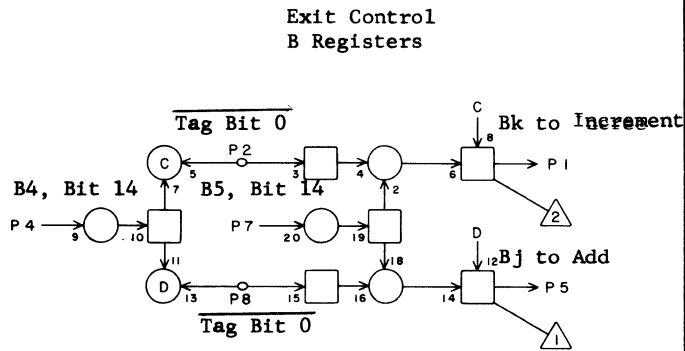
RH 7R28

Exit Control  
B Registers



1	P29	16	11
2	R27	21	5
3			
4	R28	19	3
5	R17	16	15
6			
7	R28	26	5
8	R27	22	5
9	P20	15	13
10	P21	23	13
11	P21	15	13
12			
13	P21	3	13
14	L39	22	29
15	R38	24	13
16	R28	24	3
17	P29	24	11
18	R17	24	13
19	R28	4	3
20	R 3	7	25
21	R27	2	5
22	R27	8	5
23	P34	25	13
24	R28	16	3
25	R 6	7	23
26	R28	7	5
27	R33	15	9
28	L31	20	27

JACK PIN LG

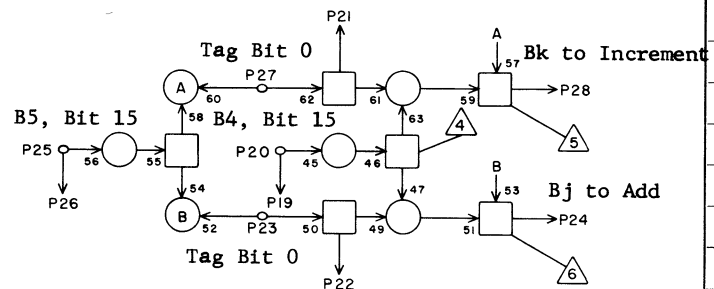
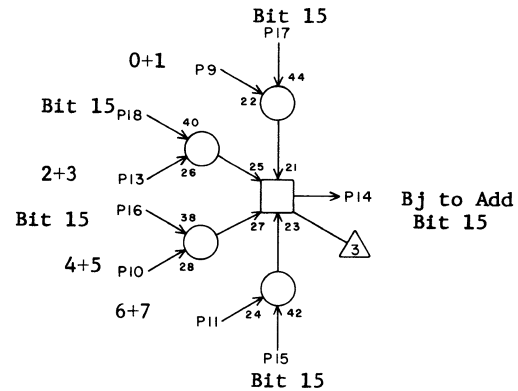
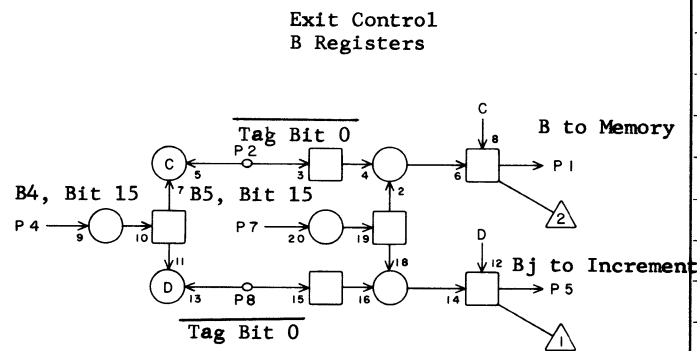


RH 7R29

1	L31	16	25
2	R30	21	5
3			
4	R29	19	5
5	R29	16	5
6			
7	R29	26	5
8	R30	22	5
9	P20	26	15
10	P21	2	15
11	P21	26	15
12			
13	P21	9	15
14	L39	24	27
15	R39	5	13
16	R29	5	5
17	P30	5	13
18	R18	5	13
19	R29	4	5
20	R 3	6	27
21	R30	2	5
22	R30	8	5
23	Q33	23	9
24	R18	16	13
25	R 6	6	25
26	R29	7	5
27	Q23	7	11
28	P30	16	11

JACK PIN LG

63017300 Rev. D



RH 7R30

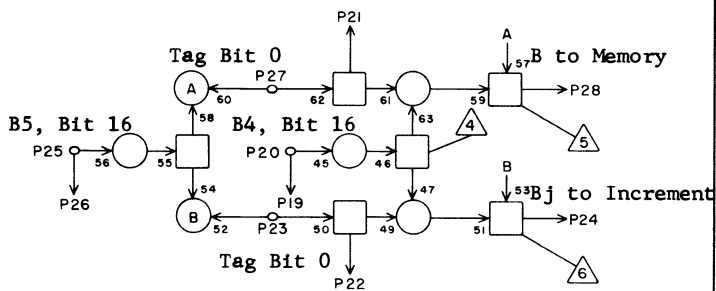
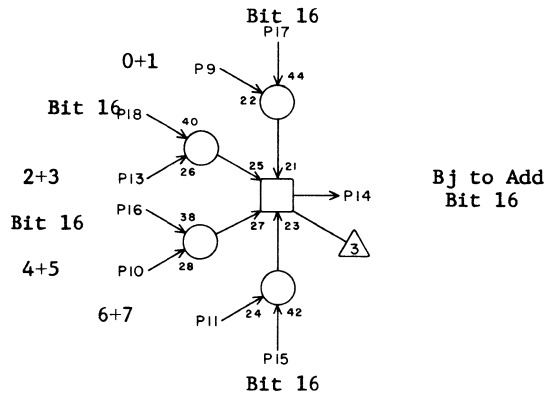
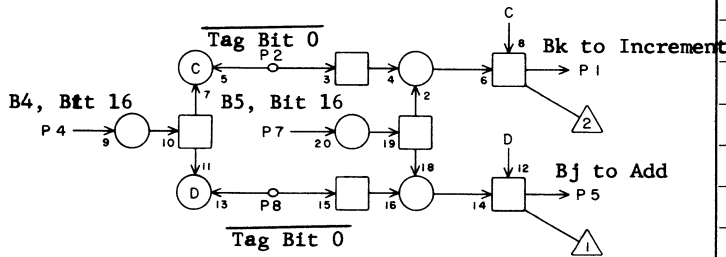
1	P31	16	11
2	R29	21	5
3			
4	R30	19	5
5	R19	16	13
6			
7	R30	26	5
8	R29	22	5
9	P20	20	15
10	P21	4	15
11	P21	20	15
12			
13	P21	11	15
14	L40	8	27
15	R40	24	13
16	R30	24	3
17	P31	24	11
18	R19	24	13
19	R30	4	5
20	R 3	16	27
21	R29	2	5
22	R29	8	5
23	P34	23	11
24	R30	16	3
25	R 6	16	25
26	R30	7	5
27	R33	7	9
28	L32	4	27

JACK PIN LG

63017300 Rev. D

7R30

Exit Control  
B Registers



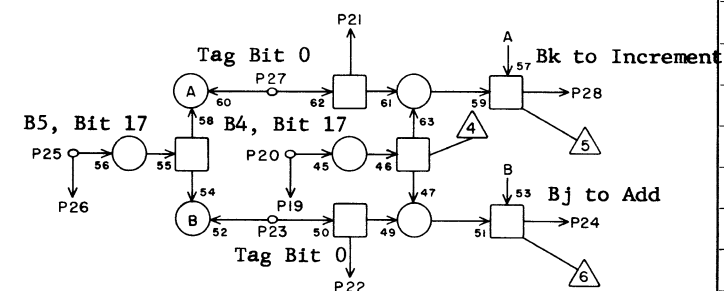
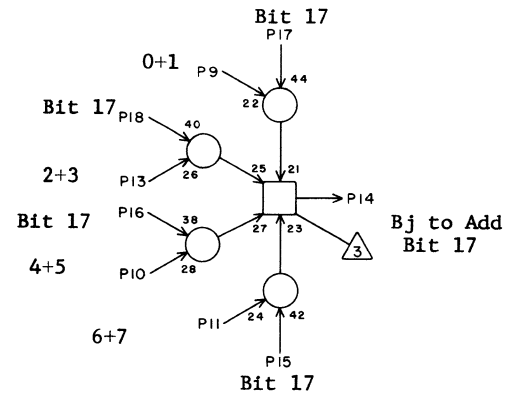
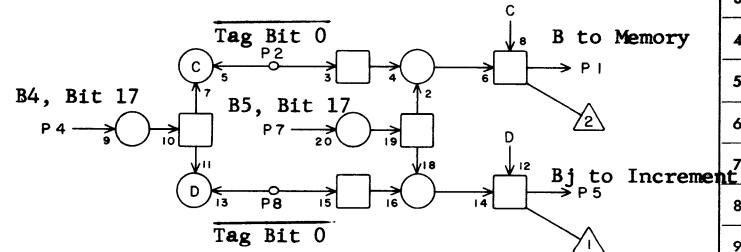
RH 7R31

1	L32	20	27
2	R32	21	5
3			
4	R31	19	5
5	R31	16	5
6			
7	R31	26	5
8	R32	22	5
9	P20	18	15
10	F21	7	15
11	P21	18	15
12			
13	P21	12	15
14	L40	22	27
15	R41	5	13
16	R31	5	5
17	P32	5	11
18	R20	5	13
19	R31	4	5
20	R 3	26	29
21	R32	2	5
22	R32	8	5
23	Q33	26	9
24	R20	16	13
25	R 6	26	25
26	R31	7	5
27	Q23	6	13
28	P32	16	11

JACK PIN LG

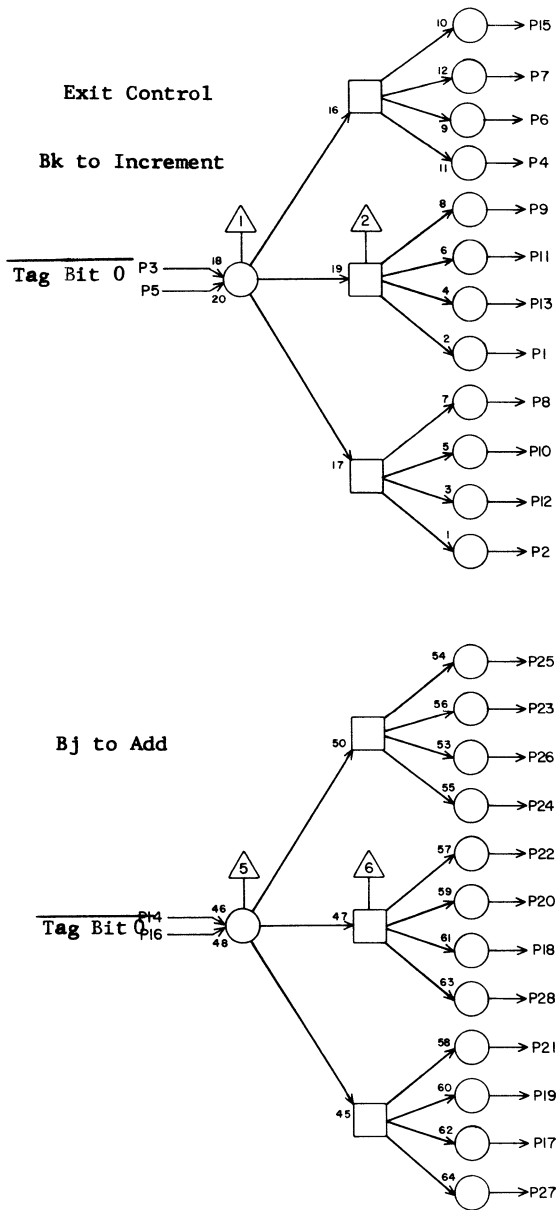
RH 7R32

Exit Control  
B Registers



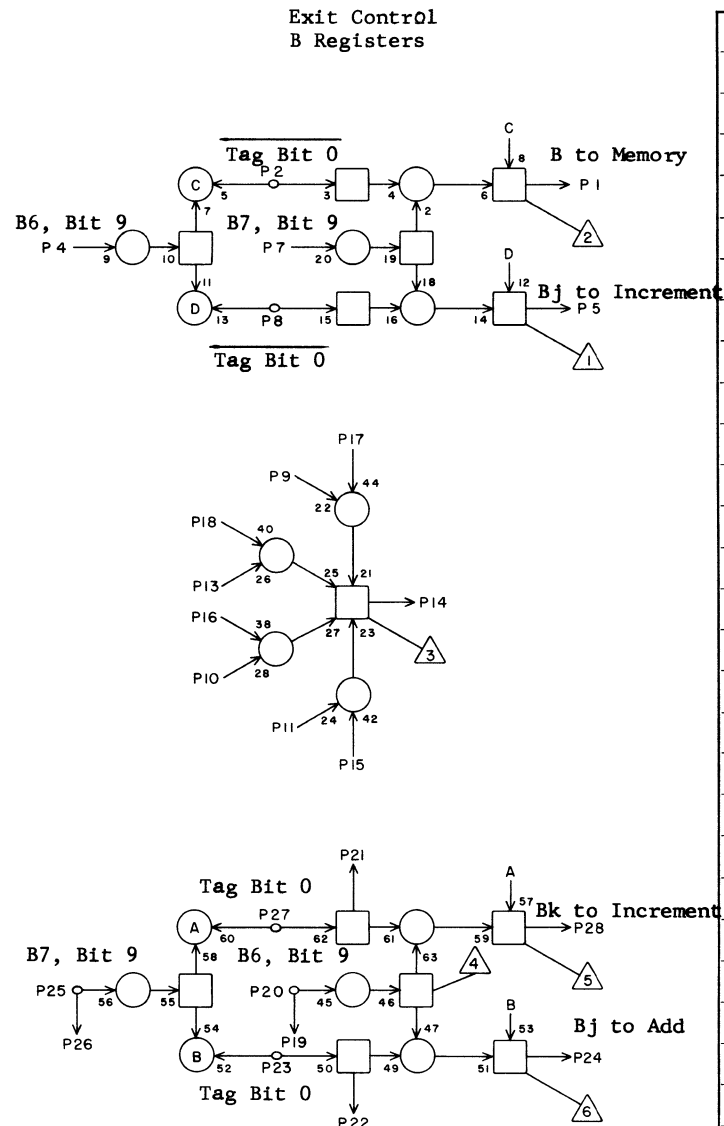
1	P33	16	11
2	R31	21	5
3			
4	R32	19	5
5	R21	16	13
6			
7	R32	26	5
8	R31	22	5
9	P20	22	15
10	P21	6	15
11	P21	22	15
12			
13	P21	14	15
14	L40	24	27
15	R42	24	13
16	R32	24	3
17	P33	24	11
18	R21	24	13
19	R32	4	5
20	R 3	27	29
21	R31	2	5
22	R31	8	5
23	P34	26	11
24	R32	16	3
25	R 6	27	27
26	R32	7	5
27	R33	6	5
28	L32	16	25

JACK PIN LG



TC		7R33	
1	R34	27	5
2	R42	27	13
3	P23	23	15
4	Q35	27	5
5	GND		2
6	R32	27	5
7	R30	27	9
8	R36	27	9
9	Q37	27	9
10	R38	27	9
11	Q39	27	11
12	R40	27	11
13	Q41	27	13
14	P23	5	15
15	R28	27	9
16	GND		2
17	Q16	23	19
18	P29	23	13
19	Q14	23	21
20	P27	23	13
21	P33	23	11
22	P25	23	15
23	O30	23	15
24	O34	23	15
25	O28	23	17
26	O32	23	17
27	Q18	23	19
28	P31	23	13

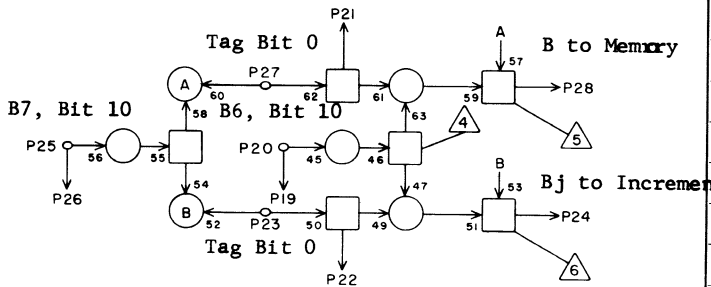
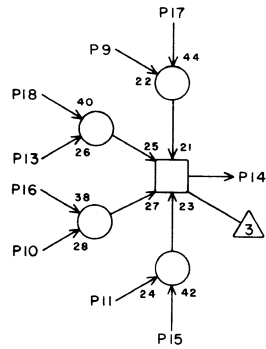
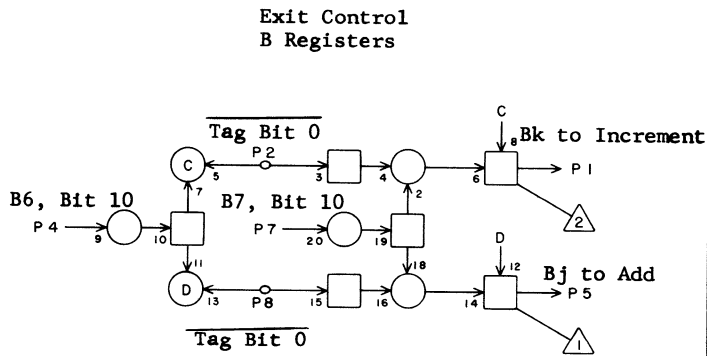
JACK PIN LG



RH		7R34	
1	P25	15	15
2	Q42	21	13
3			
4	R34	19	5
5	R13	15	23
6			
7	R34	26	5
8	Q42	22	13
9			
10			
11			
12			
13			
14			
15			
16			
17			
18			
19	R34	4	5
20	R8	16	27
21	Q42	2	13
22	Q42	8	13
23	P34	28	11
24	R24	15	13
25	R11	16	23
26	R34	7	5
27	R33	1	5
28	L30	2	29

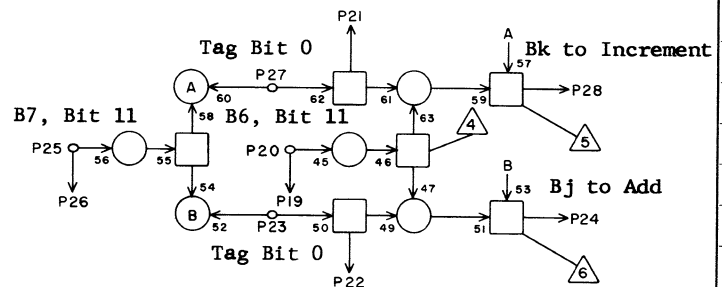
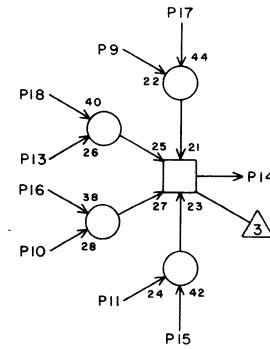
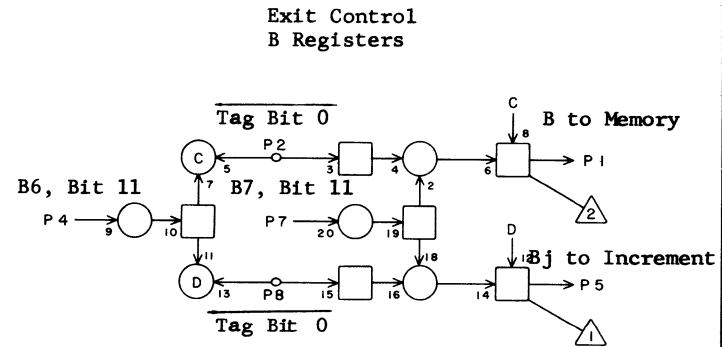
JACK PIN LG





RH		7R35	
1	L30	17	27
2	R36	21	5
3			
4	R35	19	5
5	R25	15	13
6			
7	R35	26	5
8	R36	22	5
9			
10			
11			
12			
13			
14			
15			
16			
17			
18			
19	R35	4	5
20	R 8	26	27
21	R36	2	5
22	R36	8	5
23	Q33	21	9
24	R14	15	21
25	R11	26	25
26	R35	7	5
27	Q23	8	15
28	P26	15	15
	JACK	PIN	LG

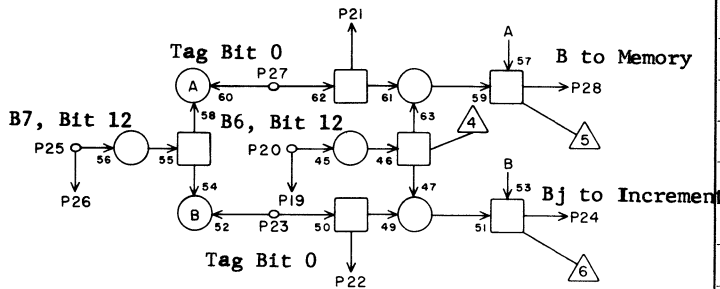
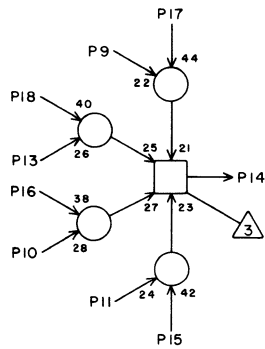
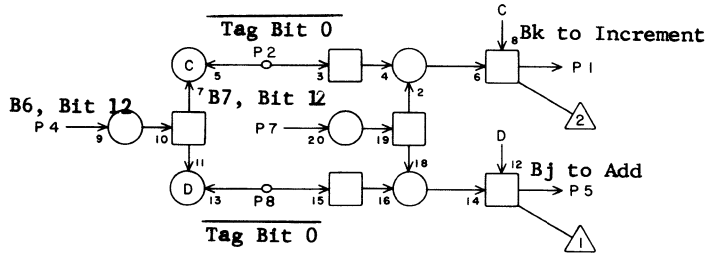
63017300 Rev. D



RH		7R36	
1	P27	15	13
2	R35	21	5
3			
4	R36	19	5
5	R15	15	21
6			
7	R36	26	5
8	R35	22	5
9			
10			
11			
12			
13			
14			
15			
16			
17			
18			
19	R36	4	5
20	R 8	27	27
21	R35	2	5
22	R35	8	5
23	P34	21	11
24	R26	15	13
25	R11	27	25
26	R36	7	5
27	R33	8	9
28	L30	26	27
	JACK	PIN	LG

63017300 Rev. D

Exit Control  
B Registers

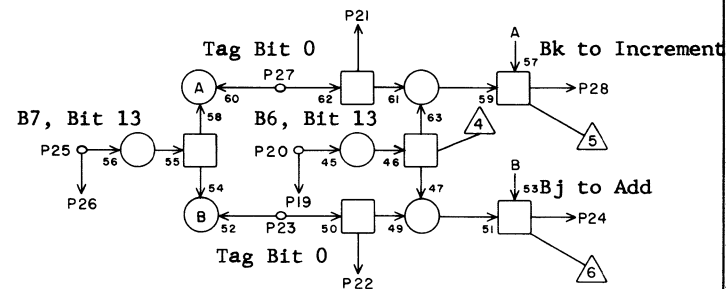
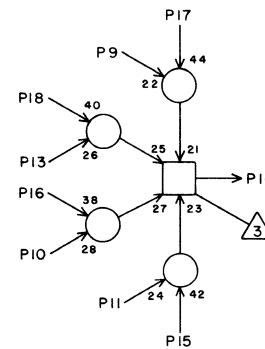
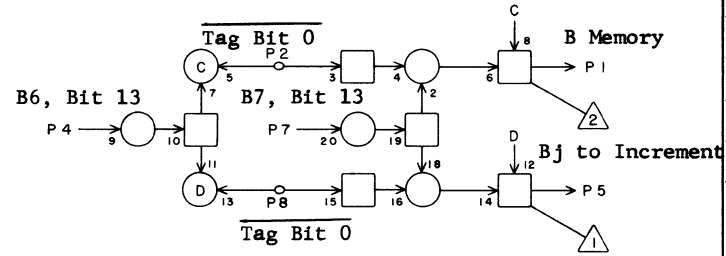


RH 7R37

1	L31	2	27
2	R38	21	5
3			
4	R37	19	5
5	R27	15	13
6			
7	R37	26	5
8	R38	22	5
9			
10			
11			
12			
13			
14			
15			
16			
17			
18			
19	R37	4	5
20	R 9	11	27
21	R38	2	5
22	R38	8	5
23	Q33	19	11
24	R16	15	21
25	R12	11	25
26	R37	7	5
27	Q23	10	17
28	P28	15	15

JACK PIN LG

Exit Control  
B Registers



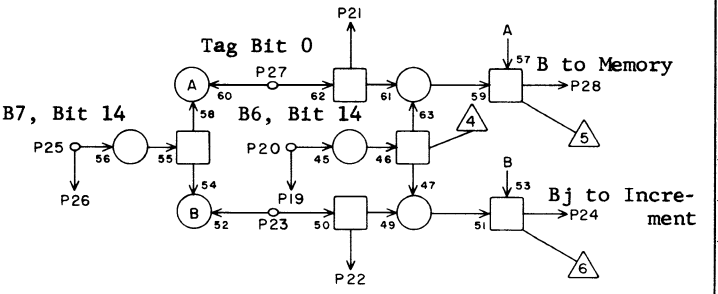
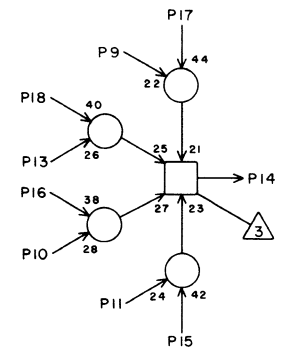
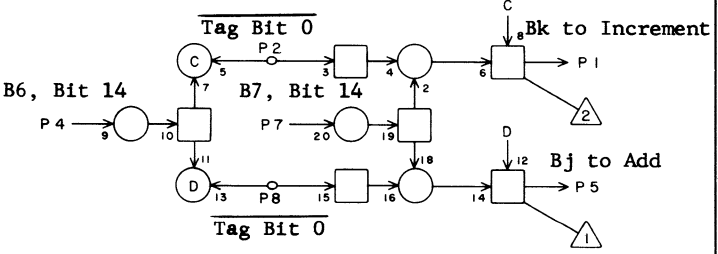
RH 7R38

1	P29	15	13
2	R37	21	5
3			
4	R38	19	5
5	R17	15	21
6			
7	R38	26	5
8	R37	22	7
9			
10			
11			
12			
13			
14			
15			
16			
17			
18			
19	R38	4	5
20	R 9	7	27
21	R37	2	5
22	R37	8	5
23	P34	19	13
24	R28	15	13
25	R12	7	25
26	R38	7	5
27	R33	10	9
28	L31	17	27

JACK PIN LG

RH 7R39

Exit Control B Registers

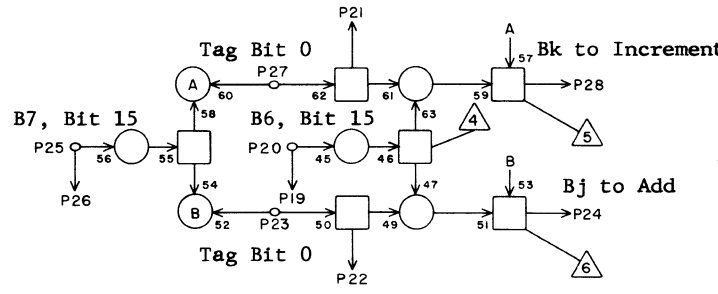
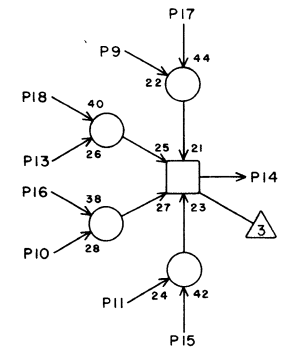
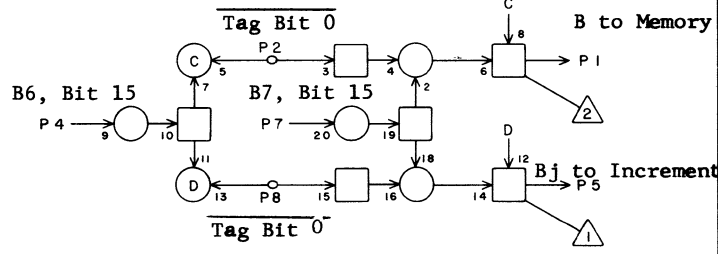


1	L31	26	25
2	R40	21	5
3			
4	R39	19	5
5	R29	15	13
6			
7	R39	26	5
8	R40	22	5
9			
10			
11			
12			
13			
14			
15			
16			
17			
18			
19	R39	4	5
20	R 9	6	29
21	R40	2	5
22	R40	8	5
23	Q33	17	11
24	R18	15	21
25	R12	6	27
26	R39	7	5
27	Q23	12	21
28	P30	15	15

JACK PIN IG

RH 7R40

Exit Control B Registers



1	P31	15	15
2	R39	21	5
3			
4	R40	19	5
5	R19	15	21
6			
7	R40	26	5
8	R39	22	5
9			
10			
11			
12			
13			
14			
15			
16			
17			
18			
19	R40	4	5
20	R 9	16	31
21	R39	2	5
22	R39	8	5
23	P34	17	13
24	R30	15	13
25	R12	16	27
26	R40	7	5
27	R33	12	11
28	L32	2	29

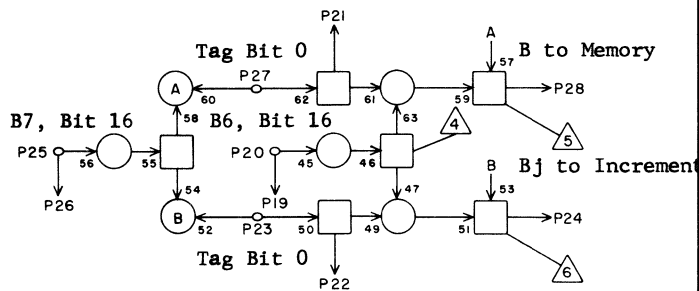
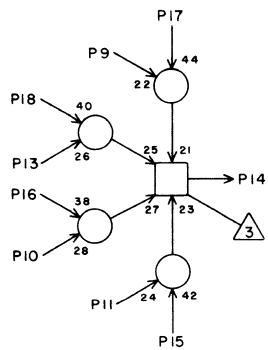
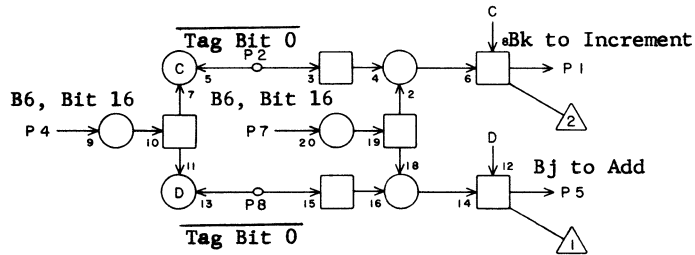
JACK PIN IG

RH 7R41

1	L32	17	27
2	R42	21	5
3			
4	R41	19	5
5	R31	15	13
6			
7	R41	26	5
8	R42	22	5
9			
10			
11			
12			
13			
14			
15			
16			
17			
18			
19	R41	4	5
20	R 9	26	31
21	R42	2	5
22	R42	8	5
23	Q33	27	13
24	R20	15	21
25	R12	26	29
26	R41	7	5
27	Q23	2	23
28	P32	15	15

JACK PIN LG

Exit Control  
B Registers

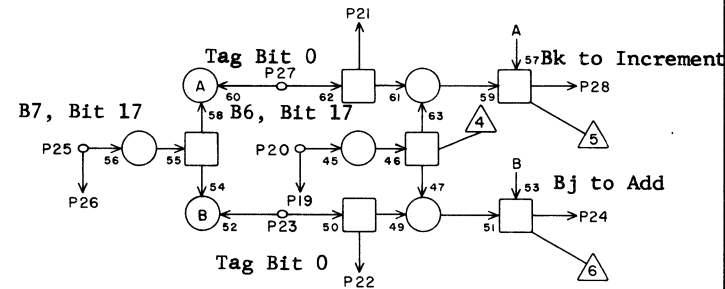
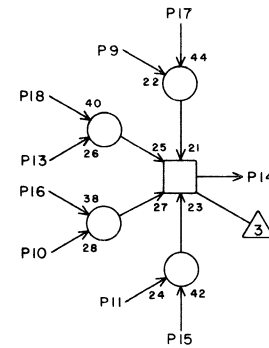
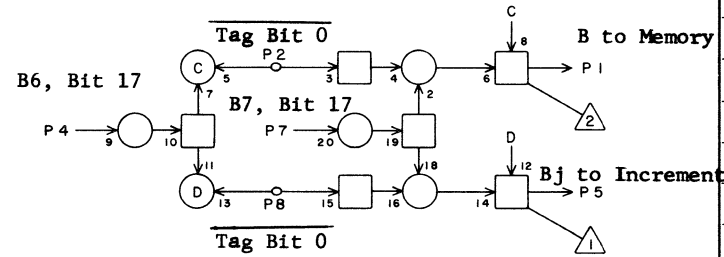


RH 7R42

1	P33	15	13
2	R41	21	5
3			
4	R42	19	5
5	R21	15	23
6			
7	R42	26	5
8	R41	22	5
9			
10			
11			
12			
13			
14			
15			
16			
17			
18			
19	R42	4	5
20	R 9	27	33
21	R41	2	5
22	R41	8	5
23	P34	27	13
24	R32	15	13
25	R12	27	31
26	R42	7	5
27	R33	2	13
28	L32	26	27

JACK PIN LG

Exit Control  
B Registers



**COMMENT SHEET**

MANUAL TITLE CONTROL DATA 6601A-J or 6604A-C with Standard Option 10102,  
6613A/B/C, 6614A/B/C Chassis 7, C/P, W/L (Chassis Tabs)

PUBLICATION NO. 63017300 REVISION \_\_\_\_\_ C. E. Manual

**FROM:** NAME: \_\_\_\_\_  
BUSINESS ADDRESS: \_\_\_\_\_

**COMMENTS:**

This form is not intended to be used as an order blank. Your evaluation of this manual will be welcomed by Control Data Corporation. Any errors, suggested additions or deletions, or general comments may be made below. Please include page number references and fill in publication revision level as shown by the last entry on the Record of Revision page at the front of the manual. Customer engineers are urged to use the TAR.

CUT ALONG LINE

FORM CA231 REV. 1-67

**NO POSTAGE STAMP NECESSARY IF MAILED IN U. S. A.**

FOLD ON DOTTED LINES AND STAPLE

STAPLE

STAPLE

FOLD

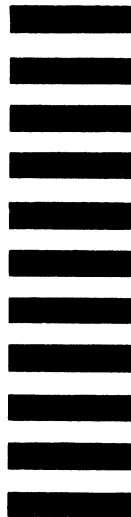
FOLD

FIRST CLASS  
PERMIT NO. 8241  
  
MINNEAPOLIS, MINN.

**BUSINESS REPLY MAIL**  
NO POSTAGE STAMP NECESSARY IF MAILED IN U.S.A.

POSTAGE WILL BE PAID BY  
**CONTROL DATA CORPORATION**  
**8100 34TH AVENUE SOUTH**  
**MINNEAPOLIS, MINNESOTA 55440**

**ATTN: TECHNICAL PUBLICATIONS DEPT.**  
**PLANT TWO**



CUT ALONG LINE

FOLD

FOLD