

CONTROL DATA[®] 6600

COMPUTER SYSTEM

6601-H/J, 6604-A/B/C
6613-A/B/C, 6614-A/B/C
SPECIAL OPTION 60080-A/B
STANDARD OPTION 10104-A/B

Chassis 5

CARD PLACEMENT
WIRE LISTS

CHASSIS TABS

RECORD of REVISIONS

REVISION	NOTES
A (6-23-65)	This printing obsoletes all previous editions and includes all Change Orders through No. 10641. New Product Designation is 6601-A06 and 6604-A03.
B (12-7-65)	This revision obsoletes previous editions and includes wiring corrections and additional signal annotations. This printing includes all changes through and including CO 11860. Product Designation covered are as follows: 6601-H10 and 6604-A10.
C (4-5-66)	Change Order 11641. (Previously incorporated in Rev B)
D (4-5-66)	Change Order 11860, new Product Designations 6601-H10, 6604-A10. (Previously incorporated in Rev B).
E (4-5-66)	Change Order 12287, new Product Designations 6601-H19, 6604-A20.
F (4-5-66)	Change Order 12182, new Product Designations 6601-H17, 6604-A18.
G (4-5-66)	Change Order 12450, new Product Designations 6601-H21, 6604-A22.
H (4-5-66)	Change Order 12543, new Product Designations 6601-H22, 6604-A23.
J (4-5-66)	Change Order 12655 which did not affect the Product Designation.
K (4-5-66)	Change Order 12656 which did not affect the Product Designation.
L (4-5-66)	Change Order 12761, new Product Designations 6601-H25 and 6604-A26.
M (4-5-66)	Change Order 12797, new Product Designations 6601-H26, 6604-A28.
N (4-5-66)	Publication Change Order 12997. Incorporates Change Orders 12051 and 12082. Wiring errors corrected on E15.
P (5-10-66)	Publication Change Order 13611. To incorporate various minor changes for purpose of clarity and accuracy. Pages E32, Q19 and Q20 revised.
R (7-19-66)	Field Change Order 13358 which advanced the Product Designation to 6601-H31, 6604-A33 and 6605-A12. Pages A21, A22, A25, B16, D22, D23, D24, D25, E09, E18, E19, E20, E21, E22, E28, E29, E35, F06, F22, F25, F34, F37, F39, G28, G30, G31, G40, H05, H24, H25, H30, H36, I22, I40, J38, K21, K36, K39, L07, L13, L42, M08, M09, M10, M11, M23, M40, N08, N09, N10, N25, N26, N28, N30, O20, O31, O33, O35, O36, O38, O39, O40, P12, P18, P19, P21, P34, P35, P38, Q14, Q18, Q20, Q21, Q31, R13, R28, R30 and R39 revised. Pages F21, N28 and P20 added. Card Placement revised.
S (7-19-66)	Field Change Order 13569 which advanced the Product Designation to 6601-H37, 6604-A40 and 6605-A19. Pages E09, E29, F35, G30, P20, P41 and R13 revised.
T (7-19-66)	Field Change Order 13731 which advanced the Product Designation to 6601-H41, 6604-A41 and 6605-A20. Pages A22, F37, H03, H08, H18, I01, K01 thru K20, K36, L10, N07, O40 and Q32 revised. Card Placement revised.
U (8-16-66)	Field Change Order 13907 which advanced the Product Designation to 6601-A29, 6601-B30, 6601-C30, 6601-D30, 6601-E30, 6601-F30, 6601-H45, 6604-A45, 6604-B31, 6605-A24, 6613-A05, 6614-A05, 6615-A05. Pages F41, H38, I24 and I37 revised.
V (8-16-66)	Field Change Order 13740 which advanced the Product Designation to 6601-H46, 6604-A46, 6605-A25, 6613-A06, 6614-A06, 6615-A06. Pages H42, I40, O31 and O33 revised.
W (8-16-66)	Change Order 14045 which advanced the Product Designation to 6601-A33, 6601-B34, 6601-C34, 6601-D34, 6601-E34, 6601-F34, 6601-H51, 6604-A51, 6604-B35, 6605-A30, 6613-A11, 6614-A11

FORM CA230, REV. 1-67

Address comments concerning this manual to:

Control Data Corporation
 Technical Publications Department
 4201 North Lexington Avenue
 St. Paul, Minnesota 55112

or use Comment Sheet in the back of this manual.

Pub No. 60150800
 © 1965, 1966, 1967, 1968, 1969
 by Control Data Corporation
 Printed in United States of America

RECORD of REVISIONS (CONT'D)

REVISION	NOTES
W (continued)	and 6615-A11. Pages H02, M11, N26, O14, P39, Q26, R13 and R33 revised.
Y (8-16-66)	Change Order 14112 which advanced the Product Designation to 6601-A35, 6601-B36, 6601-C36, 6601-D36, 6601-E36, 6601-F36, 6601-H53, 6604-A53, 6604-B37, 6605-A32, 6613-A13, 6614-A13 and 6615-A13. Pages G30, H38, I37 and R13 revised.
Z (10-25-66)	Field Change Order 13746 which advanced the Product Designation to 6601-H60, 6604-A58, 6613-A19 and 6614-A18. Card Placement; and pages A21, E09, E10, G40, H02, H03, H08, H24, H40, I40, K37, K38, M11, N07, N08, N10, N23, N26, N28, O36, O37, O38, O39, P12, P18, P19, P20, P36, P39, Q13 (6601/13), Q13 (6604/14), Q14, Q18, Q20, Q24, Q25, Q32, R18, R19, R26, R27, R34 and R42 revised.
AA (10-25-66)	Field Change Order 13756 which advanced the Product Designation to 6601-H61 and 6613-A20. Pages F37, H24, P19, Q13 (6601/13), Q39 (6601/13), and R39 revised.
AB (10-25-66)	Change Order 14425 which did not affect the Product Designation. Pages B37, E12, E23, E25, E29, F17, F21, G26, G27, H36, H41, I22, I24, I25, J18, J21, K24, K35, N16, Q14, Q18, Q20, R13, R27, R31 and R32 revised.
AC (10-25-66)	Field Change Order 14247 which advanced the Product Designation to 6601-H63, 6613-A22, 6604-A60, 6614-A20, 6601-J03, 6613-B03, 6604-C03 and 6614-B03. Card Placement, Pages C18, C23, E10, E14, E20, E21, E22, E29, F21, F31, F32, F35, F36, F39, G40, G42, H02, H18, M11, N07, N08, N23, N28, N39, O34, O36, O37, O41, P19, P20, Q13, Q32 and R13 revised.
AD (10-25-66)	Publications Change Order 14906 which did not affect the Product Designation. Cover and title page revised.
AE (3-14-67)	Change Order 15213 which did not affect the Product Designation. Pages E12, E13, E14, E32, E33, E34, F33, F37, F38, G21, G24, G25, G26, G41, G42, H25, L15, M08, M09, N09, N29, O21, O35, O39, P10, P35, P37, P38, P39, Q21, Q25, Q30, Q31 and R32 revised.
AF (3-14-67)	Field Change Order 15252 which advanced the Product Designation to 6601-H69, 6601-J09, 6604-A65, 6604-C08, 6613-A28, 6613-B09, 6614-A25 and 6614-B08. Pages C23, F22, F32, F34, G40, I05, I25, M09, M11, O11, P11, P35 and Q13 revised.
AG (3-14-67)	Field Change Order 15191 which advanced the Product Designation to 6601-H71, 6601-J11, 6604-A67, 6604-C10, 6613-A30, 6613-B11, 6614-A27 and 6614-B10. Pages G32, H17, H18, H24, I28, J38, K39, O34 and O35 revised.
AH (3-14-67)	Change Orders 15068 and 15069 which did not affect the Product Designation. Pages I22 and I23 added for Serials 32 and up.
AJ (3-14-67)	Publications Change Order 15995 which did not affect the Product Designation. Pages E12, E28, H13, H14, H15, H16, H23, H41, I01 thru I20, K36, M31, O41 and Q14 revised.
AK (5-25-67)	Field Change Order 14642 which advanced the Product Designation to 6601-H74, 6601-J14, 6604-A71, 6604-C14, 6613-A33, 6613-B14, 6613-C03, 6614-A31, 6614-B14 and 6614-C04. Card Placement and pages C18, C23 and E35 revised.
AL (5-25-67)	Field Change Order 15829 which advanced the Product Designation to 6601-H76, 6601-J16, 6604-A73, 6604-C16, 6613-A35, 6613-B16, 6613-C05, 6614-A33, 6614-B16 and 6614-C06. Pages D15, E11, E20, E21, E22, F17, F31 and Q31 revised.
AM (5-25-67)	Field Change Order 15985 which advanced the Product Designation to 6601-H78, 6601-J18, 6604-A75, 6604-C18, 6613-A37, 6613-B18, 6613-C07, 6614-A35, 6614-B18 and 6614-C08. Card Placement and pages N01 thru N06 revised.
AN (5-25-67)	Publications Change Order 16532 which did not affect the Product Designation. Cover, title page, F32, O41 and comment sheet revised.
AP (9-5-67)	Change Order 16483. No Product Designation affect. Pages I22 and I23, for serials 32 and up only, revised.
AR (9-5-67)	Field Change Order 16823. Product Designation advanced to 6601-H82, 6601-J23, 6604-A80, 6604-C24, 6613-A41, 6613-B23, 6613-C10, 6614-A40, 6614-B24 and 6614-C11. Pages H22, I04, N07, N10, N28, O40, P18, P19, P20, Q06, Q18, Q25, Q30 and R13 revised.

FORM CA 230-2

RECORD of REVISIONS (CONT'D)

REVISION	NOTES
AS (4-23-68)	Change Order 17250. No Product Designation affect. Pages F17, F33, F38, H02, H19, N09, O20, O21, O40, P21, Q19, Q21 and R39 revised.
AT (4-23-68)	Change Order 17458. No Product Designation affect. The Card Placement map was revised.
AU (4-23-68)	Field Change Order 17251, which advanced the Product Designation to 6601-H85, 6601-J26, 6604-A83, 6604-C27, 6613-A44, 6613-B26, 6613-C13, 6614-A43, 6614-B27 and 6614-C14. Pages E10, G26, I25, I40, L14, M09, M21, N08, N09, N28, O12, O30, O40, P11, P20, P21, P27, Q13, R33 and R39 revised.
AV (4-23-68)	Field Change Order 17761, which advanced the Product Designation to 6601-H89, 6601-J29, 6604-A87, 6604-C30, 6613-A48, 6613-B29, 6613-C16, 6614-A47, 6614-B30 and 6614-C17. Pages E10, I25, I40, O36, O40, P11 and Q13 revised.
AW (7-10-68)	Engineering Change Order 20055. No Product Designation affect. Pages D23, E32, E38, E39, F06, F21, F29, F30, G33, G42, H22, H29, H33, H34, H35, H37, I01 thru I20, I36, I37, J36, J38, K37, L11, L12, L20, N23, O31, O33, O42, P18, P19, P38, P39, P40, Q06, Q20, Q26, Q32, and R25 revised.
AY (10-4-68)	Manual revised; includes Field Change Order 18477, equipment level 6601-H94, 6601-J34, 6604-A92, 6604-C35, 6613-A53, 6613-B34, 6613-C21, 6614-A52, 6614-B35 and 6614-C22. Information incorporated in revision AZ.
AZ (10-4-68)	Manual revised; includes Engineering Change Order 20090, publication change only. Pages A20, A21, D24, E09, F21, F37, G29, H02, H18, H22, H24, I24, I40, K39, L03, L07, L25, M21, M23, M33, N08, N09, N22, N23, N28, O36, O39, O40, O41, P19, P20, P37, Q06, Q18, Q19, Q20, Q33, R13, R33, R37 and R39 revised.
BA (10-4-68)	Manual revised; includes Field Change Order 20000, equipment level 6601-H94, 6601-J34, 6604-A92, 6604-B67, 6604-C35, 6613-A53, 6613-B34, 6613-C21, 6614-A52, 6614-B35 and 6614-C22. Pages E10, E26, E27, H09, H10, L01, L02, N28 and P20 revised.
BB (10-4-68)	Manual revised; includes Engineering Change Order 20393, publication change only. Cover, Title Page and Pages O33 and Q18 revised.
BC (2-6-69)	Manual revised; includes Engineering Change Order 20601, publication change only. Cover and Title Page revised.
BD (2-6-69)	Manual revised; includes Field Change Order 20251, equipment level 6601-H95, 6601-J34, 6604-A93, 6604-B67, 6604-C35, 6613-A54, 6613-B34, 6613-C21, 6614-A53, 6614-B35, 6614-C22, 10104-A05 and 10104-B05. Pages E37, F21, F37, G30, I04, L07, L19, M11, N10, N25, O40, P18, P20, Q18, Q20 and R13 revised.
BE (2-6-69)	Manual revised; includes Field Change Order 20436, equipment level 6601-H95, 6601-J35, 6604-A93, 6604-B67, 6604-C36, 6613-A54, 6613-B35, 6613-C22, 6614-A53, 6614-B36, 6614-C23, 10104-A05 and 10104-B05. Card Placement and pages G26, G27, H32, P21, P36, Q06, Q07, Q08, Q20, R32 and R33 revised.
BF (2-6-69)	Manual revised; includes Engineering Change Order 21582, publication change only. Pages D24, E09, E10, I40 and O41 revised.
BG (3-21-69)	Manual revised; includes Engineering Change Order 21821, publication change only. To incorporate Field Change Order 20817, equipment level 6601-A01 through A64, 6601-B01 through B65, 6601-C01 through C65, 6601-D01 through D65, 6601-E01 through E65, 6601-F01 through F65, 6601-H01 through H95, 6601-J01 through J35, 6604-A01 through A93, 6604-B01 through B68, 6604-C01 through C36, 6605-A01 through A71, 6613-A01 through A54, 6613-B01 through B35, 6613-C01 through C22, 6614-A01 through A53, 6614-B01 through B35, 6614-C01 through C23 and 6615-A01 through A52. Pages D02, F33, H06, L01, L02, M09, M10, N30, O14, O17, P21, Q25, Q26 and R34 revised.

FORM CA 230-2

	1	2	3	4	5	6	7	8	9	10	11	12	13	14	15	16	17	18	19	20	21	22	23	24	25	26	27	28	29	30	31	32	33	34	35	36	37	38	39	40	41	42							
A	IA															HB	HC		CZ	PD	RV	PD				HB	IA																IT						
B																																															B		
C																																															C		
D																																																D	
E	ID																																														E		
F																																																F	
G	IC																																															G	
H	IG	AN	IG																																												H		
I	IE																																														I		
J	IF																																														J		
K	IM																																														K		
L	IN																																															L	
M	IP																																															M	
N	QT																																																N
O	JF																																																O
P	JB																																																P
Q	KX	JG																																															Q
R	QB																																																R

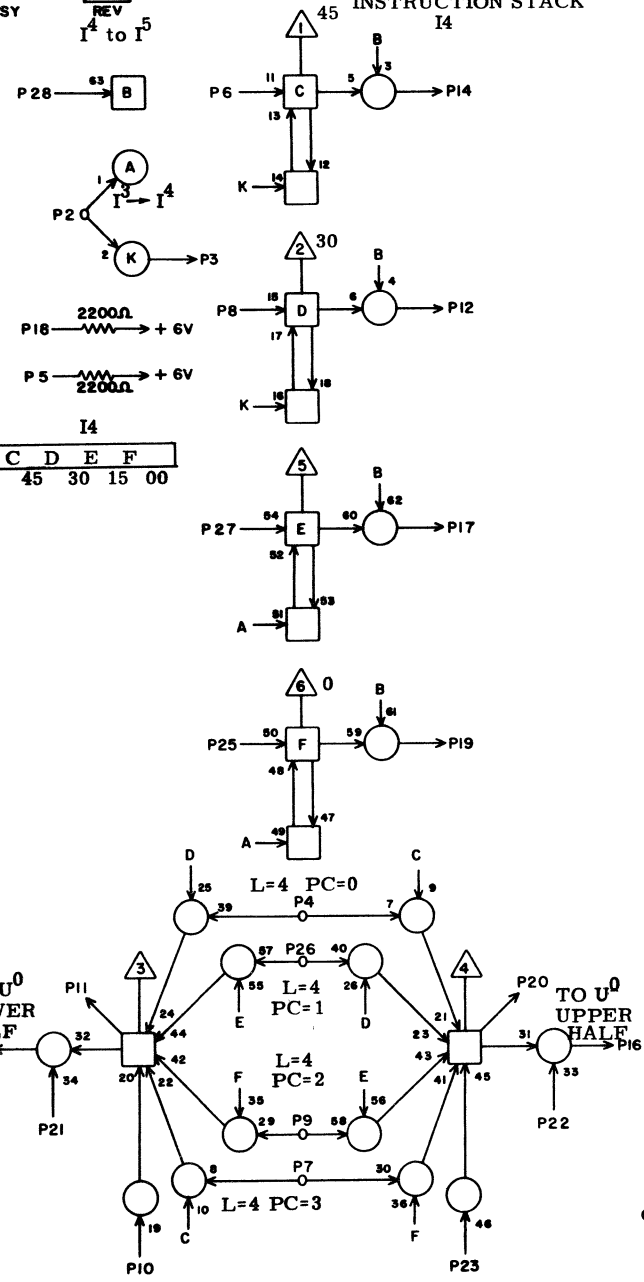
Handwritten notes and scribbles on the right side of the page.

LS 63047200
ASSY

B
REV
I⁴ to I⁵

INSTRUCTION STACK I⁴

5A01



1			
2	E16	15	25
3	D26	28	29
4	A16	2	19
5			
6	D26	14	29
7	B16	1	19
8	D26	12	29
9	B16	2	17
10	A01	18	3
11	C01	10	11
12	B01	8	7
13			
14	B01	6	5
15			
16	D16	20	21
17	B01	27	7
18	A01	10	3
19	B01	25	7
20			
21			
22	D16	19	21
23	C01	20	11
24			
25	D26	19	29
26	A16	1	17
27	D26	17	29
28	B01	3	5

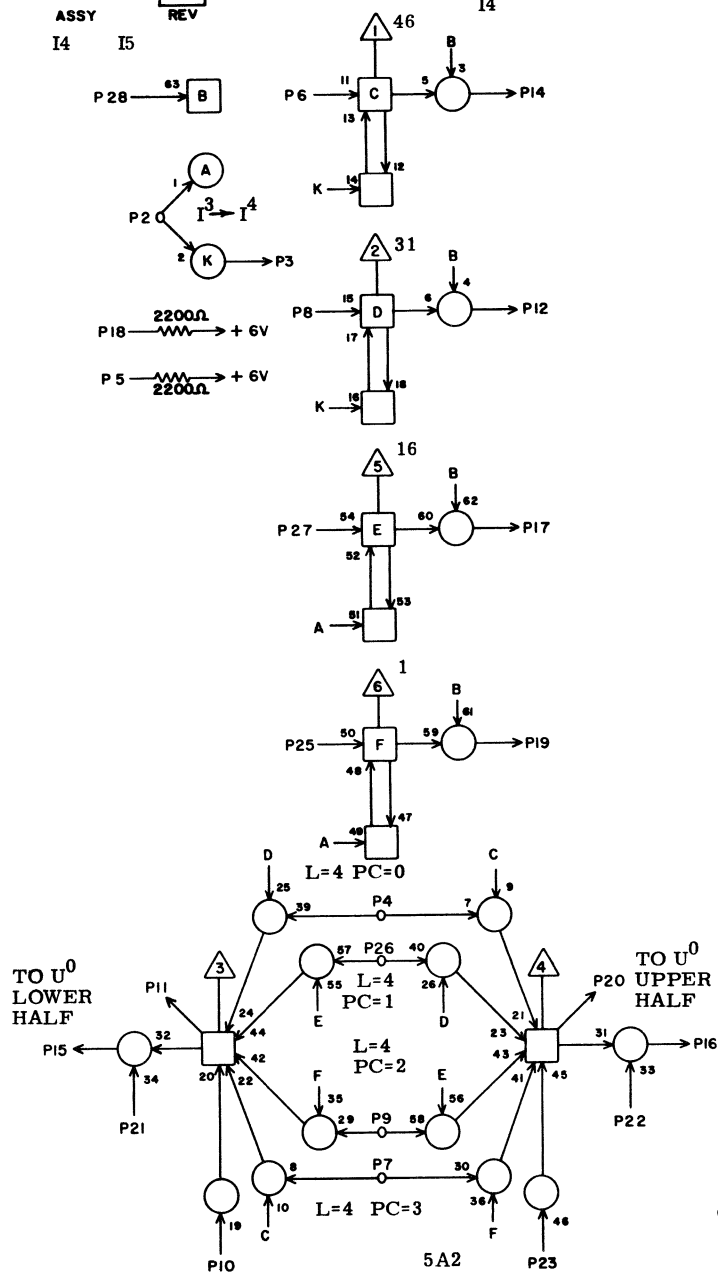
JACK PIN LG
CIRCUIT SPECIFICATION I1827600
60150800 Rev B

LS 63047200
ASSY

B
REV
I⁴ I⁵

INSTRUCTION STACK I⁴

5A02



1			
2	E16	7	25
3	D27	28	29
4	A16	4	17
5			
6	D27	14	29
7	B16	3	17
8	D27	12	29
9	B16	4	17
10	A02	18	3
11	C02	10	11
12	B02	8	5
13			
14	B02	6	5
15			
16	D17	20	21
17	B02	27	7
18	A02	10	3
19	B02	25	7
20			
21			
22	D17	19	21
23	C02	20	11
24			
25	D27	19	29
26	A16	3	17
27	D27	17	29
28	B02	3	5

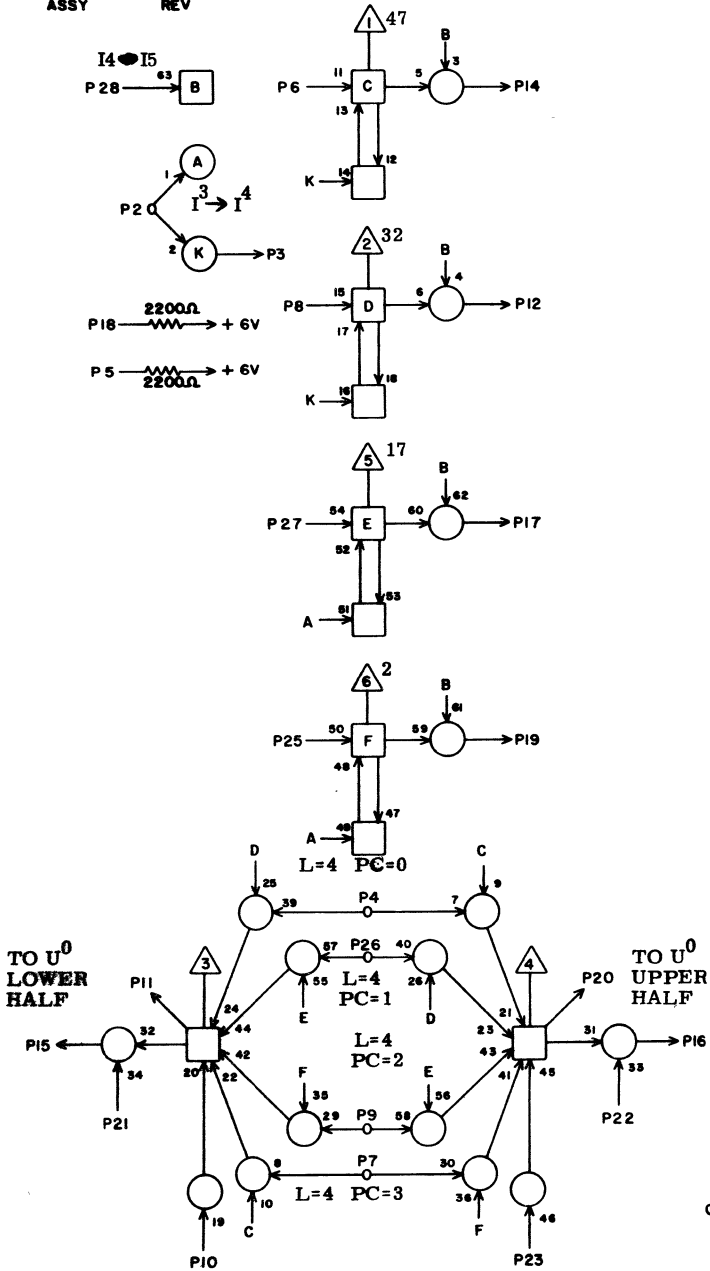
JACK PIN LG
CIRCUIT SPECIFICATION I1827600
60150800 Rev B

LS 63047200
ASSY

B
REV

INSTRUCTION STACK
I4 IA

5A03



1			
2	E16	6	23
3	D28	28	29
4	A16	6	15
5			
6	D28	14	29
7	B16	5	17
8	D28	12	29
9	B16	6	17
10	A03	18	3
11	C03	10	11
12	B03	8	5
13			
14	B03	6	5
15			
16	D18	20	21
17	B03	27	7
18	A03	10	3
19	B03	25	7
20			
21			
22	D18	19	21
23	C03	20	11
24			
25	D28	19	29
26	A16	5	17
27	D28	17	29
28	B03	3	5

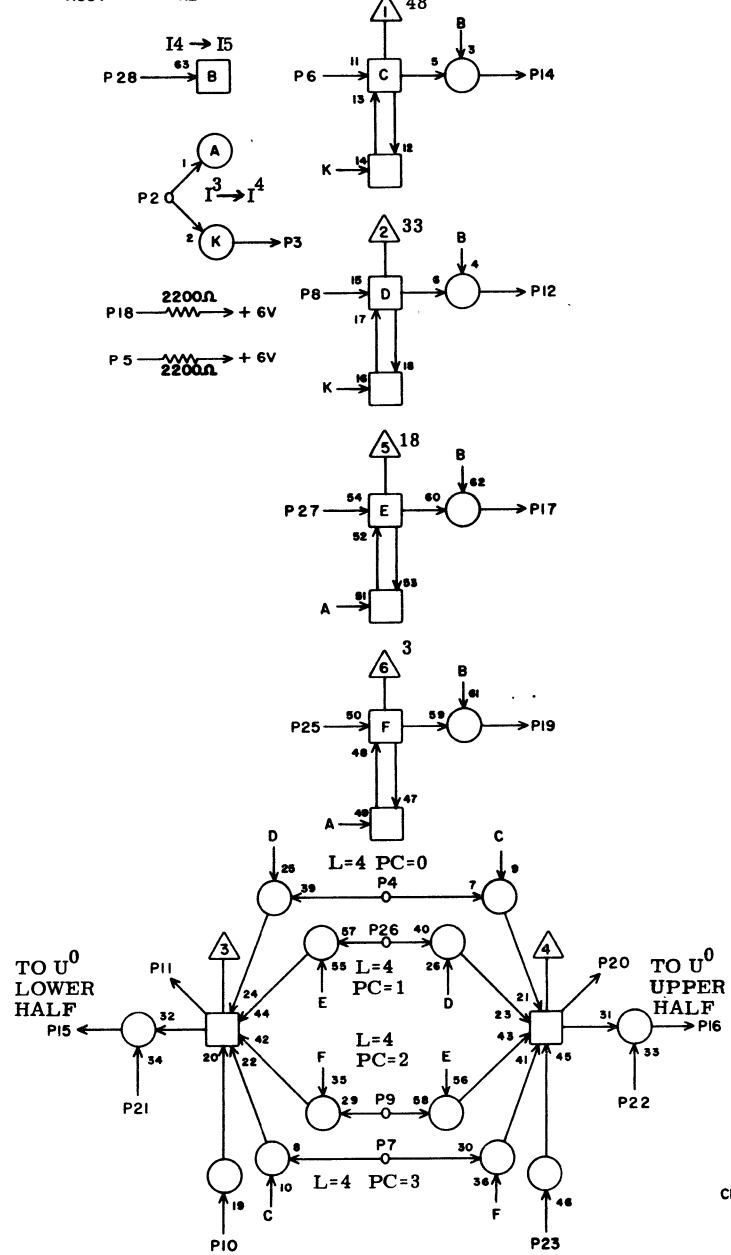
JACK PIN LG
CIRCUIT SPECIFICATION I1827600
60150800 Rev B

LS 63047200
ASSY

B
REV

INSTRUCTION STACK
I4 IA

5A04



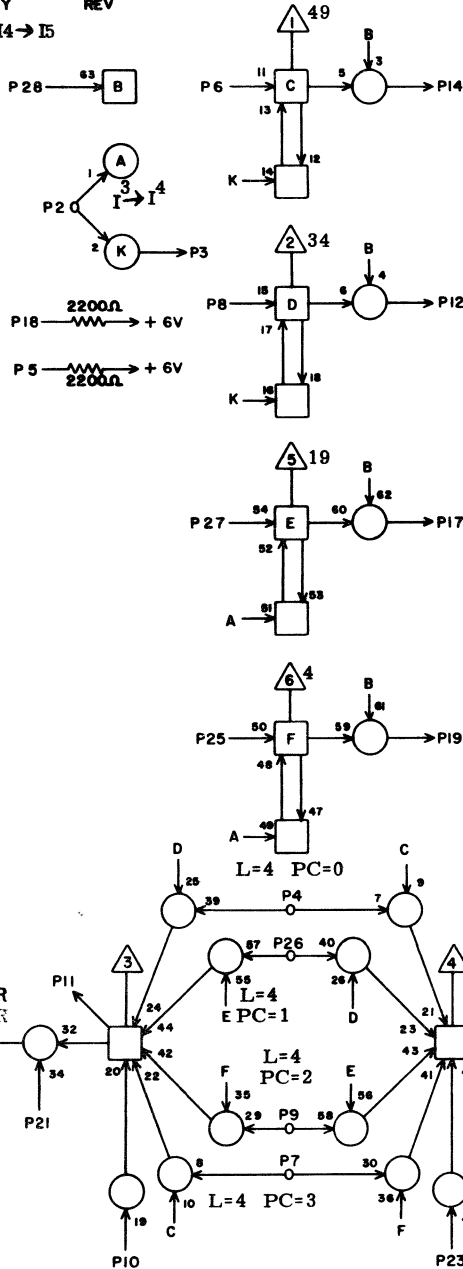
1			
2	E16	4	23
3	D29	28	29
4	A16	8	15
5			
6	D29	14	29
7	B16	7	15
8	D29	12	29
9	B16	8	15
10	A04	18	3
11	C04	10	11
12	B04	8	5
13			
14	B04	6	5
15			
16	D19	20	21
17	B04	27	7
18	A04	10	3
19	B04	25	7
20			
21			
22	D19	19	21
23	C04	20	11
24			
25	D29	19	29
26	A16	7	15
27	D29	17	29
28	B04	3	5

JACK PIN LG
CIRCUIT SPECIFICATION I1827600
60150800 Rev B

LS 63047200
ASSY

REV 6

I4 → I5



INSTRUCTION STACK
I4 IA

5A05

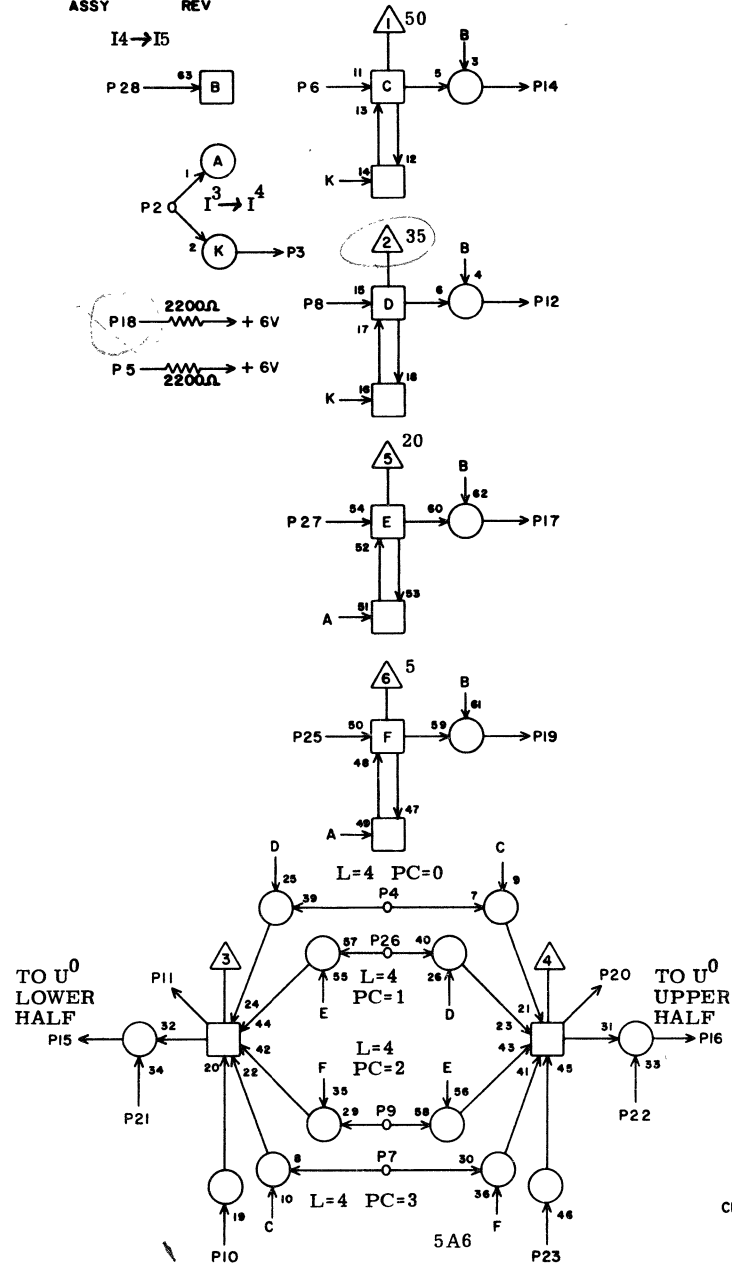
1			
2	E16	9	23
3	D30	28	29
4	A16	10	15
5			
6	D30	14	29
7	B16	9	15
8	D30	12	29
9	B16	10	15
10	A05	18	3
11	C05	10	11
12	B05	8	5
13			
14	B05	6	5
15			
16	D20	20	21
17	B05	27	7
18	A05	10	3
19	B05	25	7
20			
21			
22	D20	19	21
23	C05	20	11
24			
25	D30	19	27
26	A16	9	15
27	D30	17	27
28	B05	3	5

JACK PIN LG
CIRCUIT SPECIFICATION I1827600
60150800 Rev B

LS 63047200
ASSY

REV 6

I4 → I5



INSTRUCTION STACK
I4 IA

5A06

1			
2	E16	11	23
3	D31	28	29
4	A17	2	15
5			
6	D31	14	29
7	A18	16	15
8	D31	12	29
9	A18	2	15
10	A06	18	3
11	C06	10	11
12	B06	8	5
13			
14	B06	6	5
15			
16	D21	20	21
17	B06	27	7
18	A06	10	3
19	B06	25	7
20			
21			
22	D21	19	21
23	C06	20	11
24			
25	D31	19	27
26	A17	16	15
27	D31	17	27
28	B06	3	5

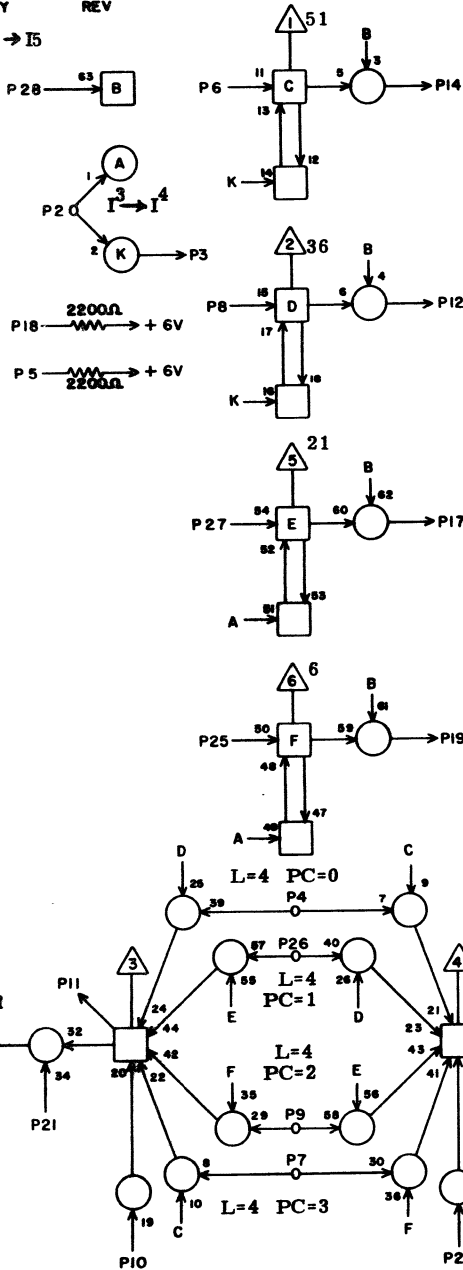
JACK PIN LG
CIRCUIT SPECIFICATION I1827600
60150800 Rev B

LS 63047200
ASSY
I4 → I5

REV

INSTRUCTION STACK
I4 IA

5A07



1			
2	E16	13	23
3	D32	28	29
4	A17	4	13
5			
6	D32	14	29
7	A18	18	13
8	D32	12	29
9	A18	4	13
10	A07	18	3
11	C07	10	11
12	B07	8	5
13			
14	B07	6	5
15			
16	D22	20	21
17	B07	27	9
18	A07	10	3
19	B07	25	9
20			
21			
22	D22	19	21
23	C07	20	11
24			
25	D32	19	27
26	A17	18	13
27	D32	17	27
28	B07	3	5

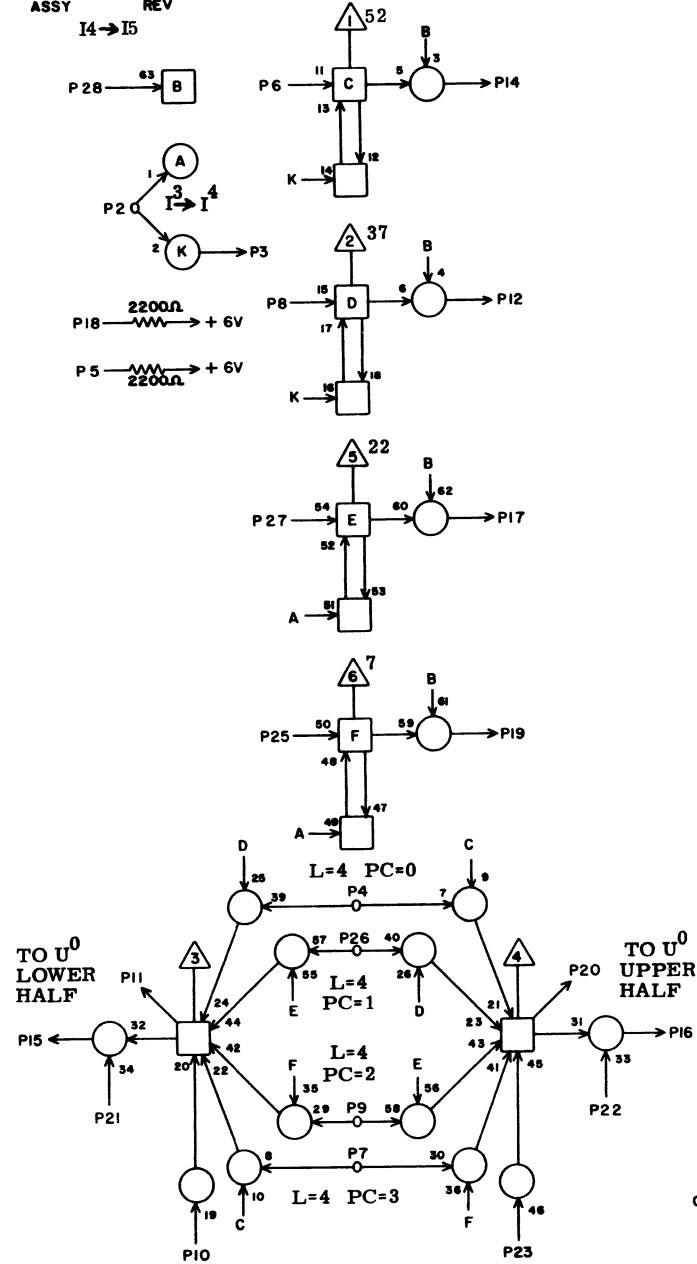
JACK PIN LG
CIRCUIT SPECIFICATION 11827600
60150800 Rev B

LS 63047200
ASSY
I4 → I5

REV

INSTRUCTION STACK
I4 IA

5A08



1			
2	E16	1	21
3	D33	28	29
4	A17	6	13
5			
6	D33	14	29
7	A18	20	13
8	D33	12	29
9	A18	6	13
10	A08	18	3
11	C08	10	11
12	B08	8	5
13			
14	B08	6	5
15			
16	D22	20	21
17	B08	27	9
18	A08	10	3
19	B08	25	7
20			
21			
22	D23	19	21
23	C08	20	11
24			
25	D33	19	27
26	A17	20	13
27	D33	17	27
28	B08	3	5

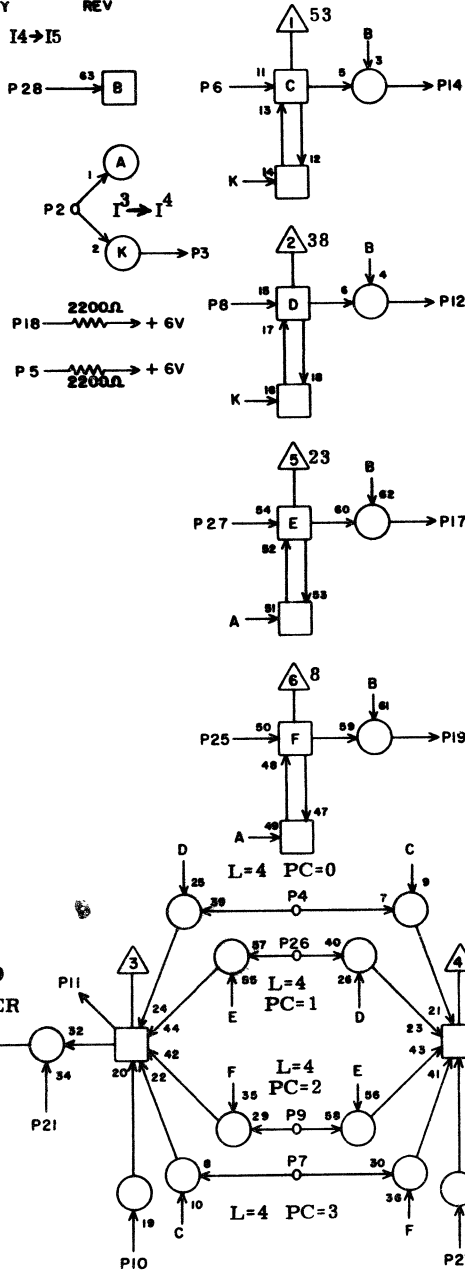
JACK PIN LG
CIRCUIT SPECIFICATION 11827600
60150800 Rev B

LS 63047200
ASSY

B
REV

INSTRUCTION STACK
I4 IA

5A09



1			
2	E16	8	21
3	D34	28	29
4	A17	9	13
5			
6	D34	14	29
7	A18	22	13
8	D34	12	29
9	A18	9	13
10	A09	18	3
11	C09	10	11
12	B09	8	5
13			
14	B09	6	5
15			
16	D24	20	21
17	B09	27	7
18	A09	10	3
19	B09	25	7
20			
21			
22	D24	19	21
23	C09	20	11
24			
25	D34	19	27
26	A17	22	11
27	D34	17	27
28	B09	3	5

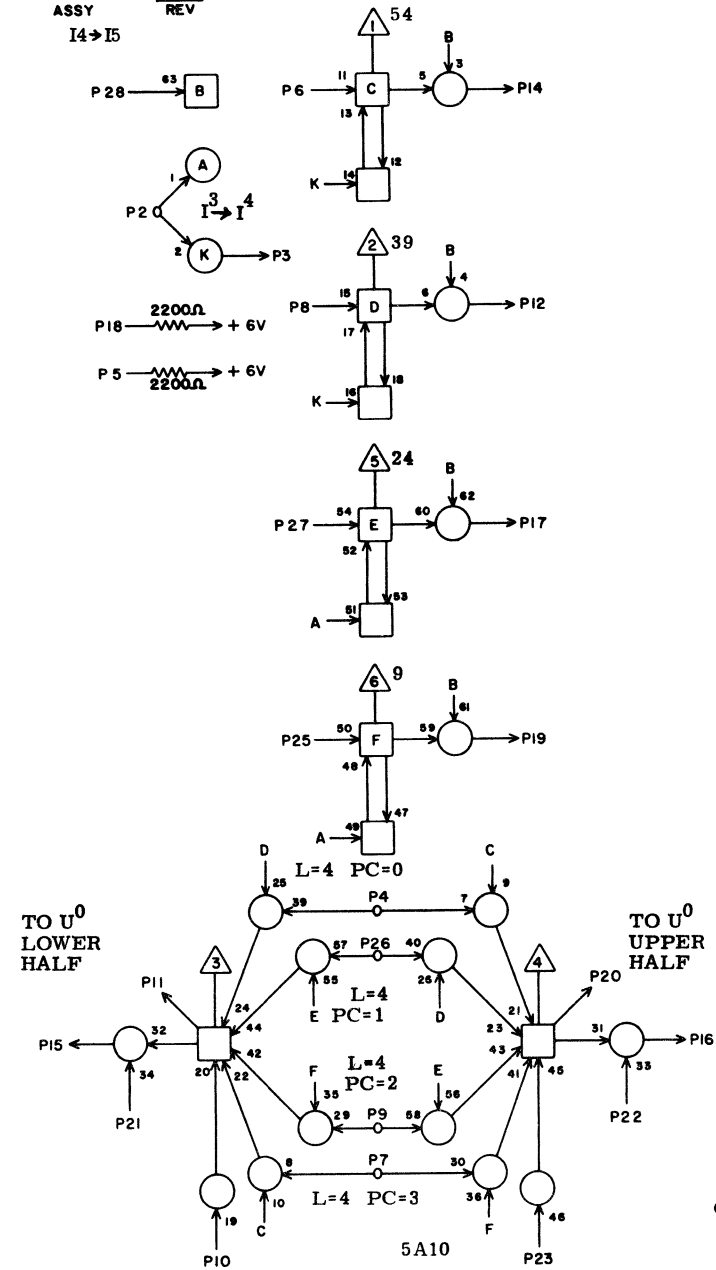
JACK PIN LG
CIRCUIT SPECIFICATION I1827600
60150800 Rev B

LS 63047200
ASSY

B
REV

INSTRUCTION STACK
I4 IA

5A10



1			
2	E16	10	21
3	D35	28	29
4	A17	11	11
5			
6	D35	14	29
7	A18	17	11
8	D35	12	29
9	A18	11	11
10	A10	18	3
11	C10	10	11
12	B10	8	5
13			
14	B10	6	5
15			
16	D25	20	21
17	B10	27	7
18	A10	10	3
19	B10	25	7
20			
21			
22	D25	19	21
23	C10	20	11
24			
25	D35	19	27
26	A17	17	11
27	D35	17	27
28	B10	3	5

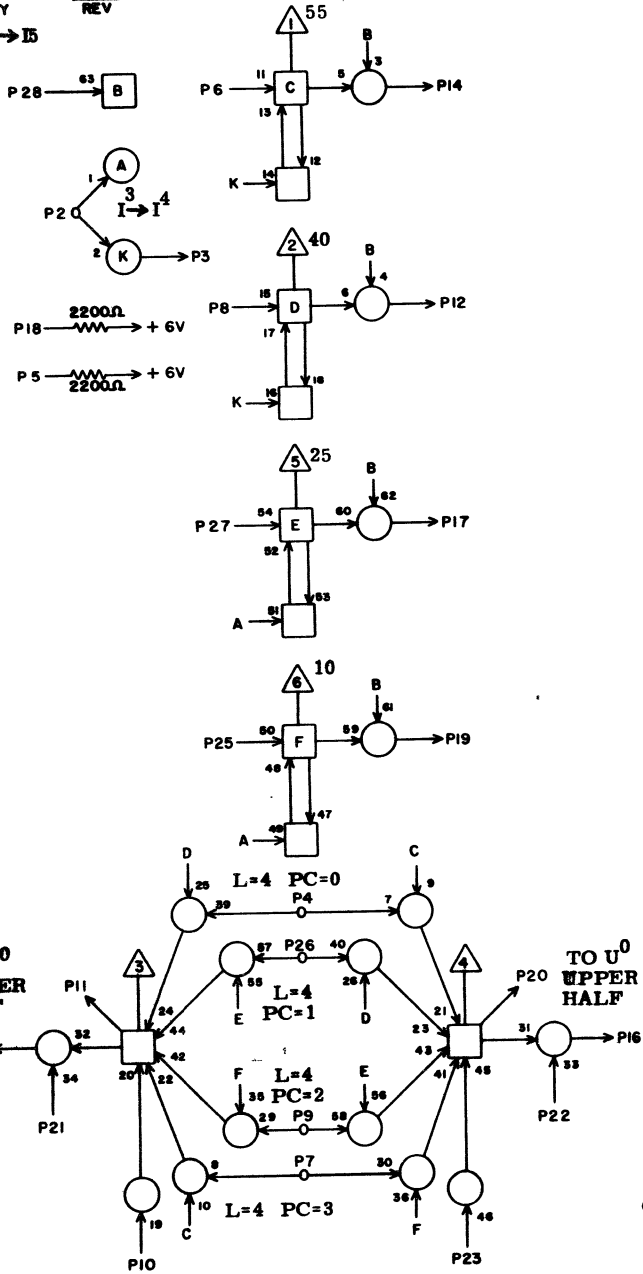
JACK PIN LG
CIRCUIT SPECIFICATION I1827600
60150800 Rev B

LS 63047200
ASSY
I4 → I5

6
REV

INSTRUCTION STACK
I4 IA

5A11



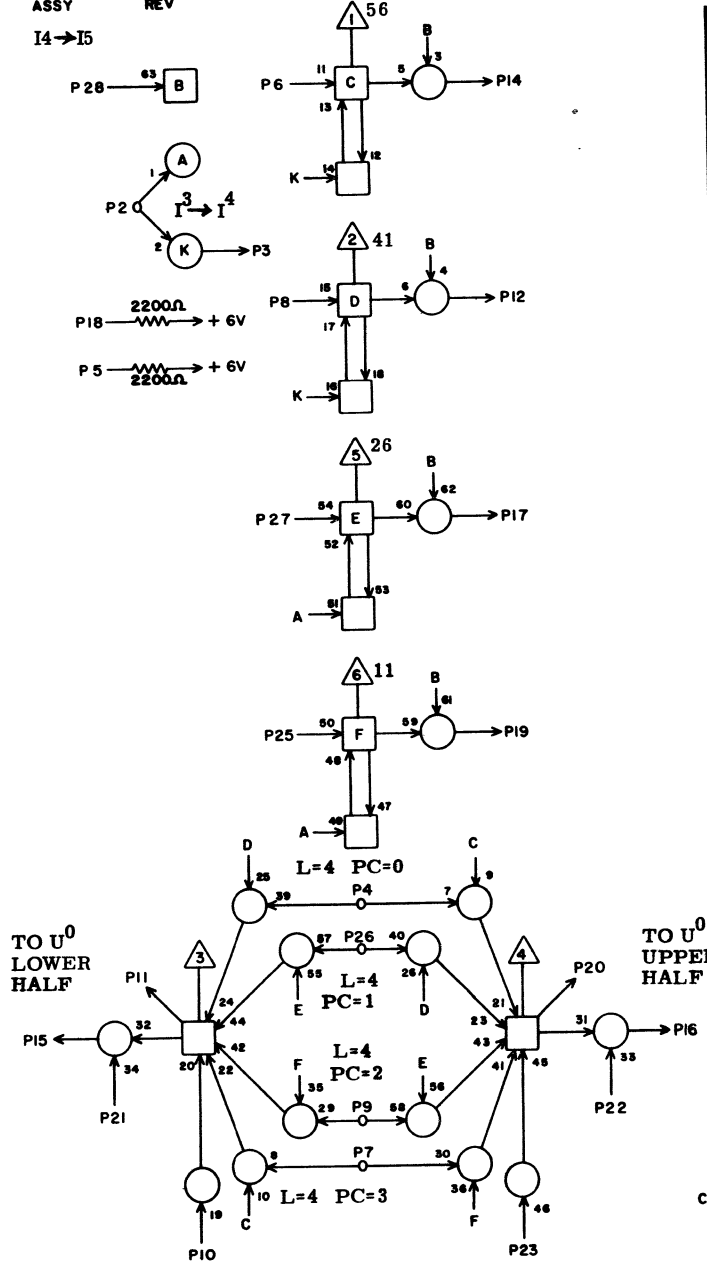
1			
2	E16	12	21
3	D36	28	29
4	A17	13	11
5			
6	D36	14	29
7	A18	19	11
8	D36	12	29
9	A18	13	11
10	A11	18	3
11	C11	10	11
12	B11	8	5
13			
14	B11	6	5
15			
16	E18	20	21
17	B11	27	7
18	A11	10	3
19	B11	25	7
20			
21			
22	E18	19	21
23	C11	20	11
24			
25	D36	19	27
26	A17	19	9
27	D36	17	27
28	B11	3	5

LS 63047200
ASSY
I4 → I5

6
REV

INSTRUCTION STACK
I4 IA

5A12



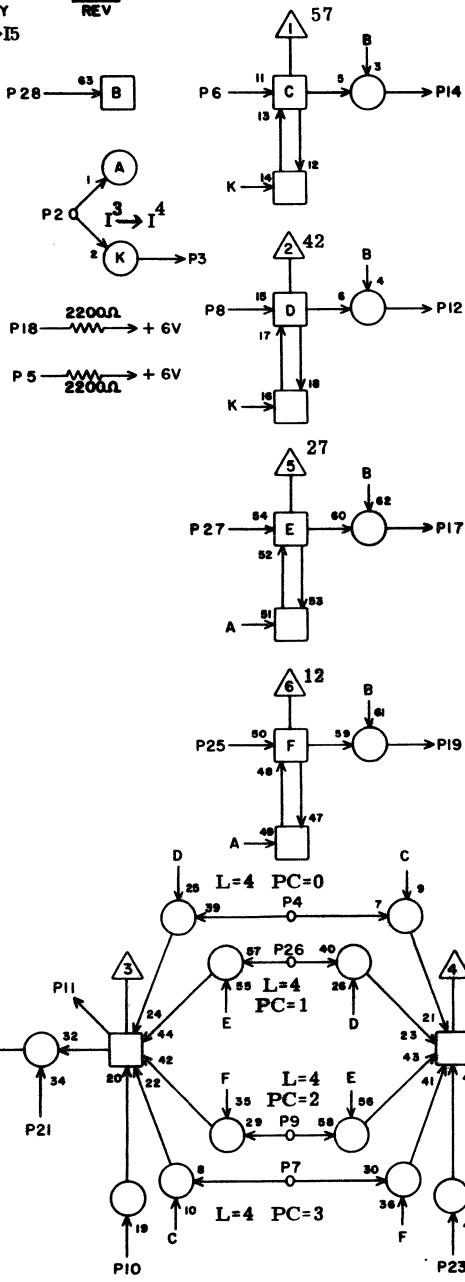
1			
2	E16	2	19
3	D37	28	29
4	A17	8	7
5			
6	D37	14	29
7	A18	21	9
8	D37	12	29
9	A18	8	7
10	A12	18	3
11	C12	10	11
12	B12	8	5
13			
14	B12	6	5
15			
16	E18	20	21
17	B12	27	7
18	A12	10	3
19	B12	25	7
20			
21			
22	E18	19	21
23	C12	20	11
24			
25	D37	19	27
26	A17	21	7
27	D37	17	27
28	B12	3	5

LS 63047200
ASSY
I4→I5

6
REV

INSTRUCTION STACK
I4 IA

5A13



1			
2	E09	15	19
3	D38	28	29
4	A17	10	7
5			
6	D38	14	29
7	A18	24	7
8	D38	12	29
9	A18	10	7
10	A13	18	3
11	C13	10	11
12	B13	8	5
13			
14	B13	6	5
15			
16	E20	20	21
17	B13	27	7
18	A13	10	3
19	B13	25	7
20			
21			
22	E20	19	21
23	C13	20	11
24			
25	D38	19	27
26	A17	24	5
27	D38	17	27
28	B13	3	5

JACK PIN LG
CIRCUIT SPECIFICATION I1827600
60150800 Rev L

TO U⁰
LOWER
HALF

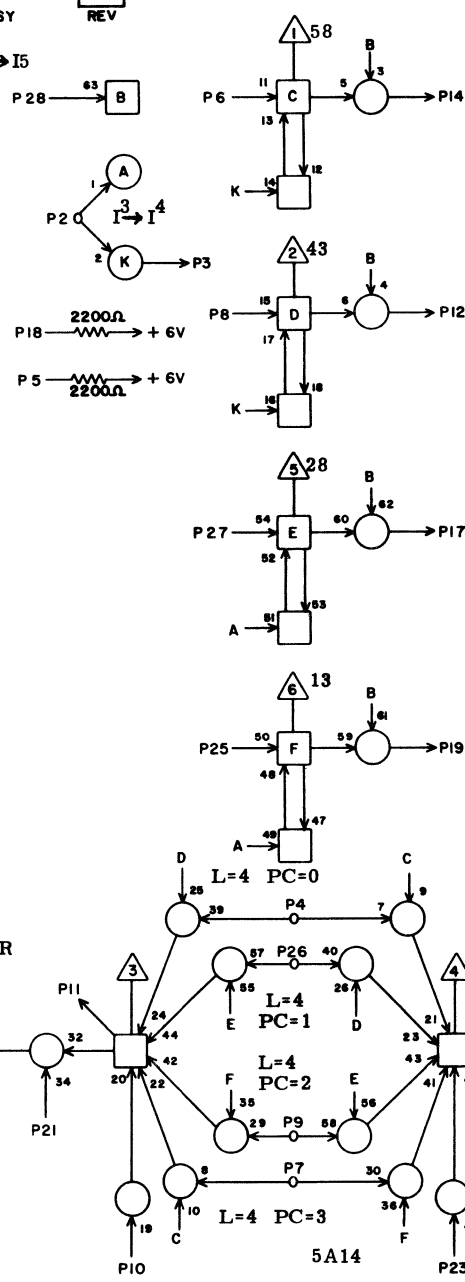
TO U⁰
UPPER
HALF

LS 63047200
ASSY
I4→I5

6
REV

INSTRUCTION STACK
I4 IA

5A14



1			
2	E09	17	21
3	D39	28	29
4	A17	12	5
5			
6	D39	14	29
7	A18	26	5
8	D39	12	29
9	A18	12	5
10	A14	18	3
11	C14	10	11
12	B14	8	5
13			
14	B14	6	5
15			
16	E21	20	19
17	B14	27	7
18	A14	10	3
19	B14	25	7
20			
21			
22	E21	19	19
23	C14	20	11
24			
25	D39	19	27
26	A17	26	5
27	D39	17	27
28	B14	3	5

JACK PIN LG
CIRCUIT SPECIFICATION I1827600
60150800 Rev L

TO U⁰
LOWER
HALF

TO U⁰
UPPER
HALF

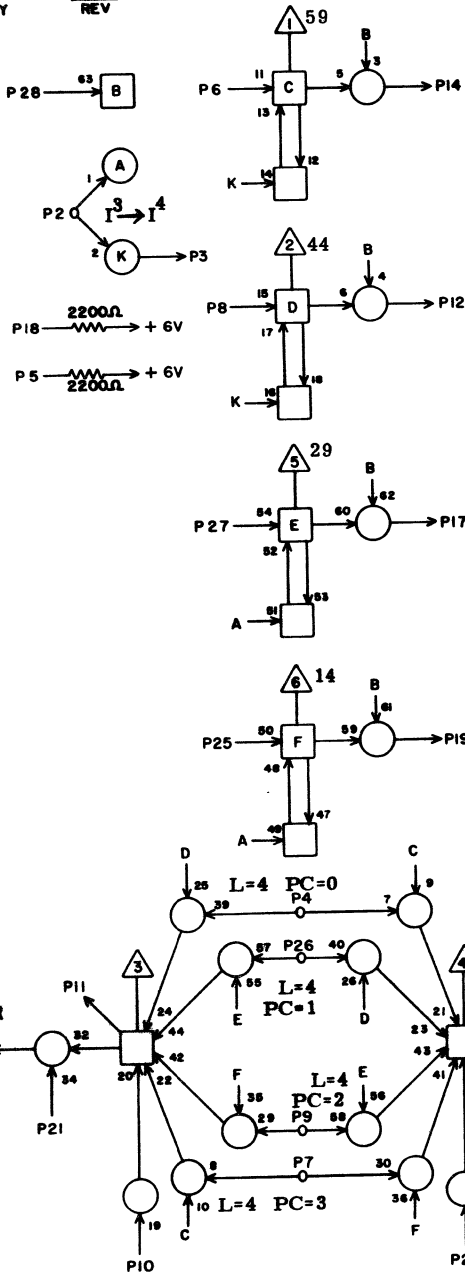
5A14

LS 63047200
ASSY
I4 → I5

REV B

INSTRUCTION STACK
KI4 IA

5A15



1			
2	E09	19	19
3	D40	28	29
4	A17	14	5
5			
6	D40	14	29
7	A18	28	5
8	D40	12	29
9	A18	14	5
10	A15	18	3
11	C15	10	11
12	B15	8	5
13			
14	B15	6	5
15			
16	E22	20	21
17	B15	27	7
18	A15	10	3
19	B15	25	7
20			
21			
22	E22	19	19
23	C15	20	11
24			
25	D40	19	27
26	A17	28	5
27	D40	17	27
28	B15	3	5

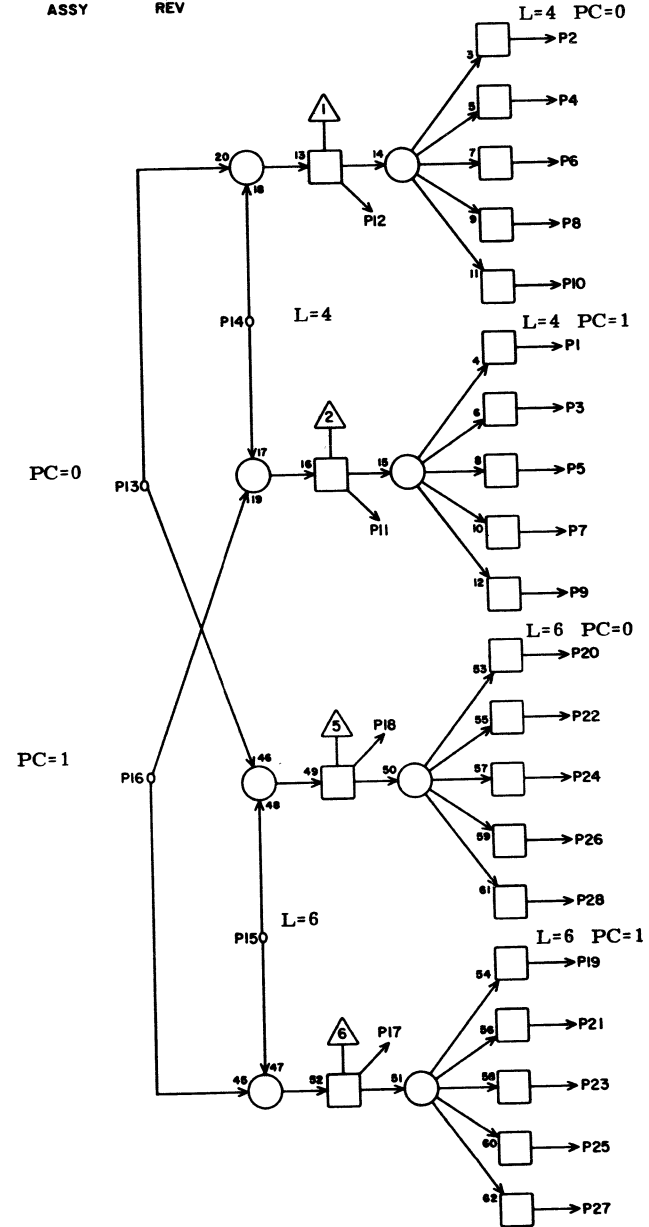
JACK PIN LG
CIRCUIT SPECIFICATION 11827600
60150800 Rev L

LS 63044700
ASSY

REV C

HB

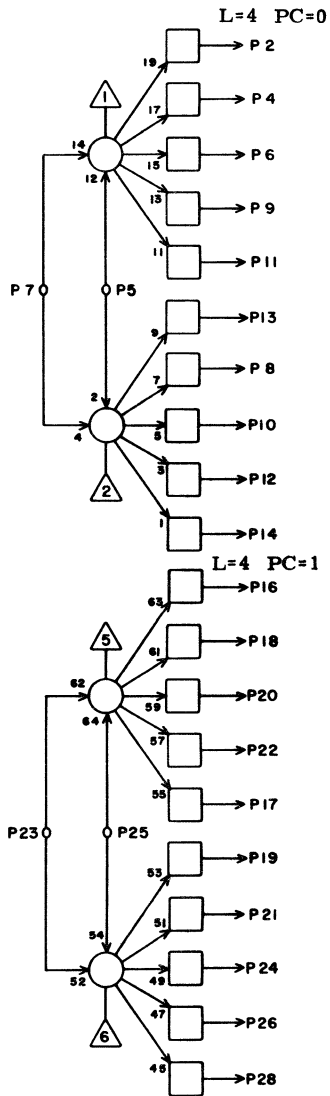
5A16



1	A01	26	17
2	A01	4	19
3	A02	26	17
4	A02	4	17
5	A03	26	17
6	A03	4	15
7	A04	26	15
8	A04	4	15
9	A05	26	15
10	A05	4	15
11	A17	25	3
12	A17	5	3
13	A22	11	7
14	A21	19	7
15	A21	22	7
16	A22	12	7
17	B19	25	7
18	B19	5	7
19	C01	26	17
20	C01	4	17
21	C02	26	17
22	C02	4	17
23	C03	26	19
24	C03	4	17
25	C04	26	17
26	C04	4	17
27	C05	26	15
28	C05	4	15

JACK PIN LG
CIRCUIT SPECIFICATION 11827600
60150800 Rev B

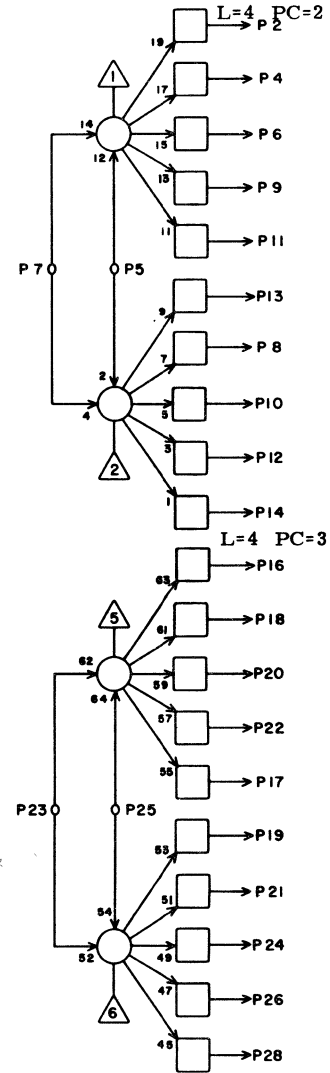
L=4 PC=0



1			
2	A6	4	15
3			
4	A7	4	13
5	A16	12	3
6	A8	4	13
7	GRD	X	2
8	A12	4	7
9	A9	4	13
10	A13	4	7
11	A10	4	11
12	A14	4	5
13	A11	4	11
14	A15	4	5
15			
16	A6	26	15
17	A10	26	11
18	A7	26	13
19	A11	26	9
20	A8	26	13
21	A12	26	7
22	A9	26	11
23	GRD	X	2
24	A13	26	5
25	A16	11	3
26	A14	26	5
27			
28	A15	26	5

JACK PIN LG
CIRCUIT SPECIFICATION 11827600

L=4
PC=2



L=4
PC=3

1			
2	A6	9	15
3			
4	A7	9	13
5	B16	12	7
6	A8	9	13
7	GRD	X	2
8	A12	9	7
9	A9	9	13
10	A13	9	7
11	A10	9	11
12	A14	9	5
13	A11	9	11
14	A15	9	5
15			
16	A6	7	15
17	A10	7	11
18	A7	7	13
19	A11	7	11
20	A8	7	13
21	A12	7	9
22	A9	7	13
23	GRD	X	2
24	A13	7	7
25	B16	11	7
26	A14	7	5
27			
28	A15	7	5

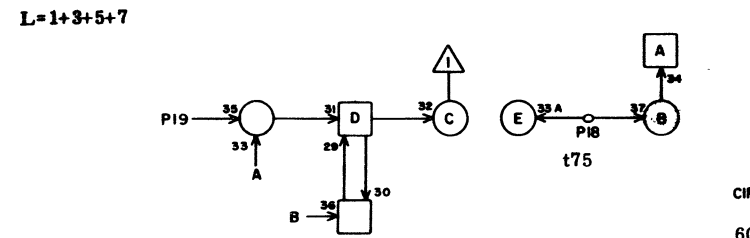
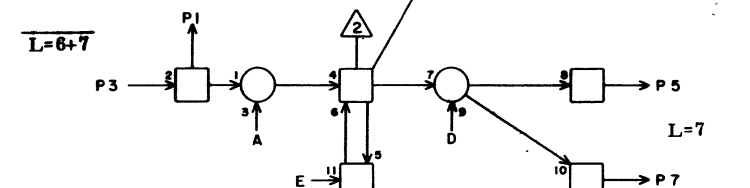
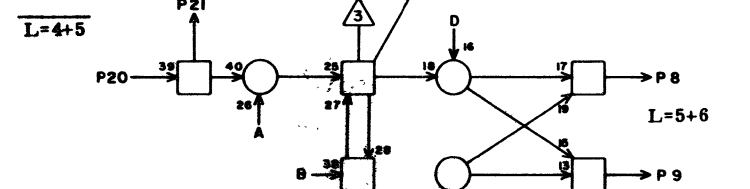
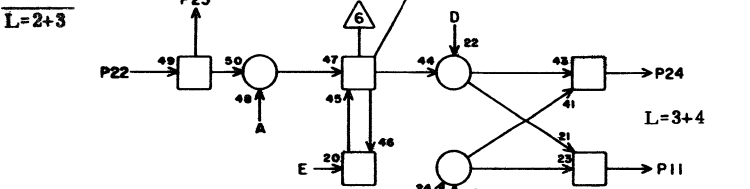
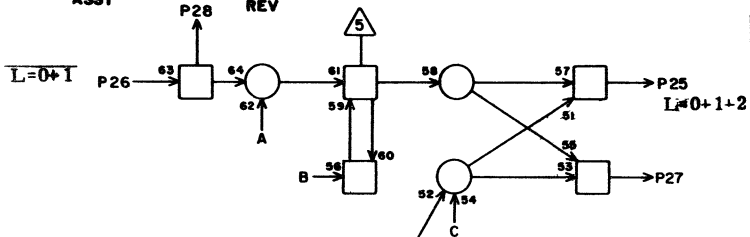
JACK PIN LG
CIRCUIT SPECIFICATION 11827600

LS 63043100
ASSY

B
REV

CZ

5A19

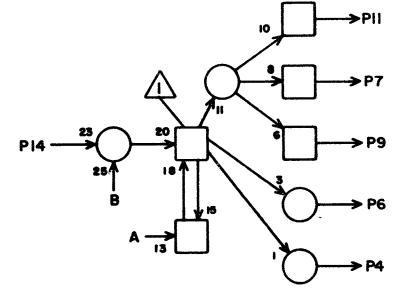


1	A21	17	5
2			
3	G28	13	27
4			
5	C16	15	13
6			
7	C17	15	13
8	C16	14	13
9	C17	14	13
10			
11	C24	15	13
12			
13			
14			
15			
16			
17			
18	I25	10	33
19	I25	15	31
20	G28	11	27
21	A21	18	3
22	G28	22	27
23	A21	13	7
24	C25	15	13
25	C25	14	13
26	G28	28	27
27	C24	14	13
28	A21	14	5

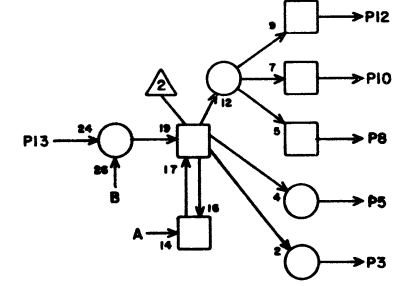
JACK PIN LG
CIRCUIT SPECIFICATION 11827600
60150800 Rev B

Select ODD Parcel

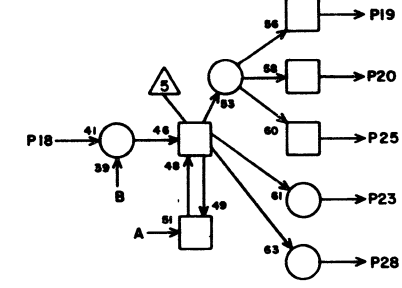
PC=0



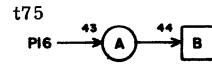
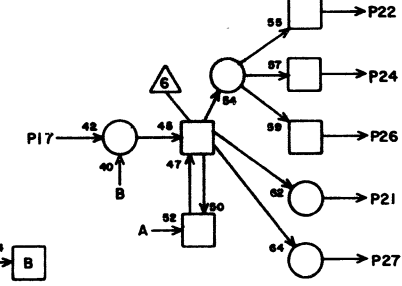
PC=1



PC=2



PC=3



PD **5A20**

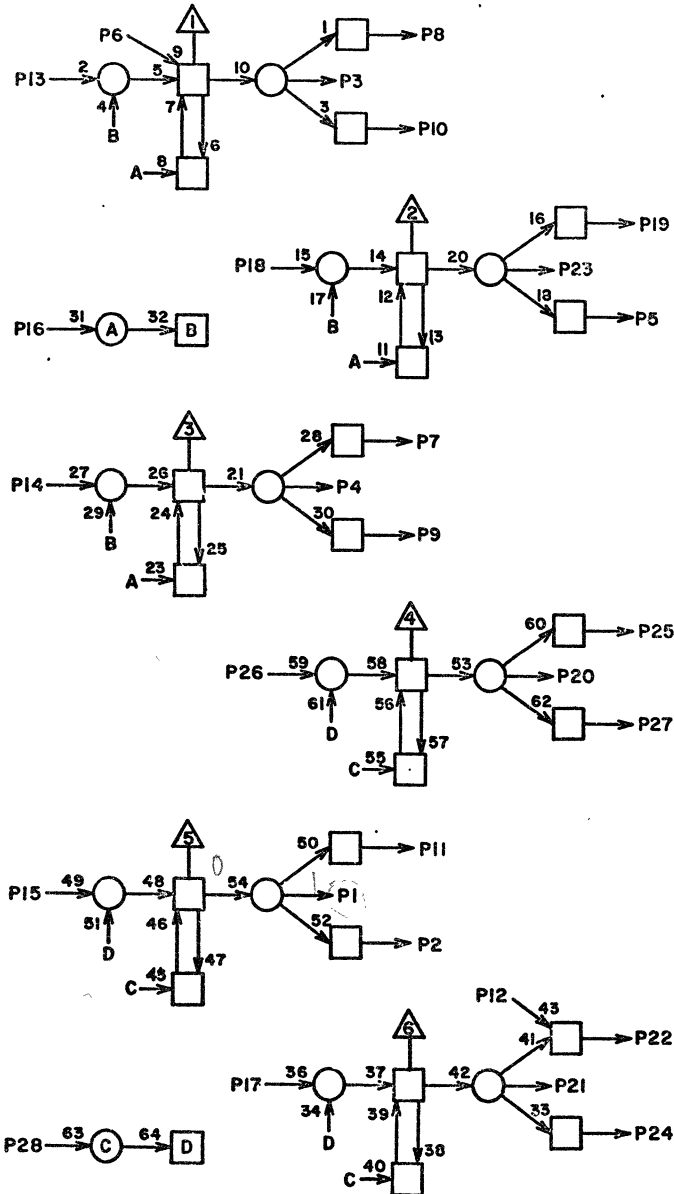
1			
2			
3			
4			
5			
6	N23	19	53
7	C24	13	13
8			
9	K20	19	41
10	C24	16	13
11	C16	13	13
12	C16	16	13
13	G31	26	29
14	G31	24	29
15			
16	I25	11	33
17	G31	1	27
18	G31	3	27
19	C17	13	13
20	C25	13	13
21			
22	C17	16	13
23			
24	C25	16	13
25			
26			
27			
28			

JACK PIN LG
60150800 Rev. AZ

LS 16058500-
ASSY REV

RV

5A21



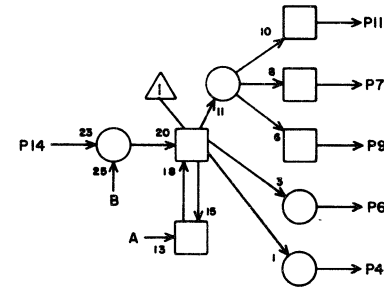
JACK	PIN	LG
1	P37	21 60
2	H24	8 31
3		
4		
5	B16	14 9
6		
7	B25	14 11
8	A25	15 7
9	A25	14 5
10	B25	15 9
11		
12		
13	A19	23 7
14	A19	28 5
15	O40	4 57
16	I25	12 33
17	A19	1 5
18	A19	21 3
19	A16	14 7
20	F37	4 25
21		
22	A16	15 7
23		
24	B16	15 7
25		
26	R33	25 180
27		
28	I24	24 108

CIRCUIT SPECIFICATION
11827600
60150800 Rev. AZ

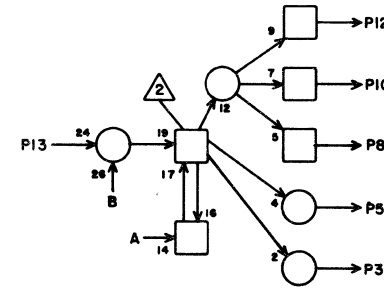
Select Even Parced

PD 5A22

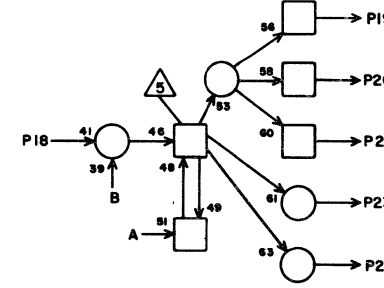
PC=0



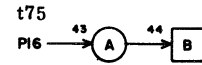
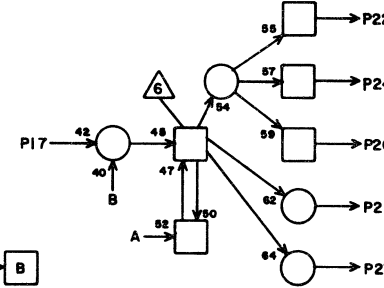
PC=1



PC=2



PC=3

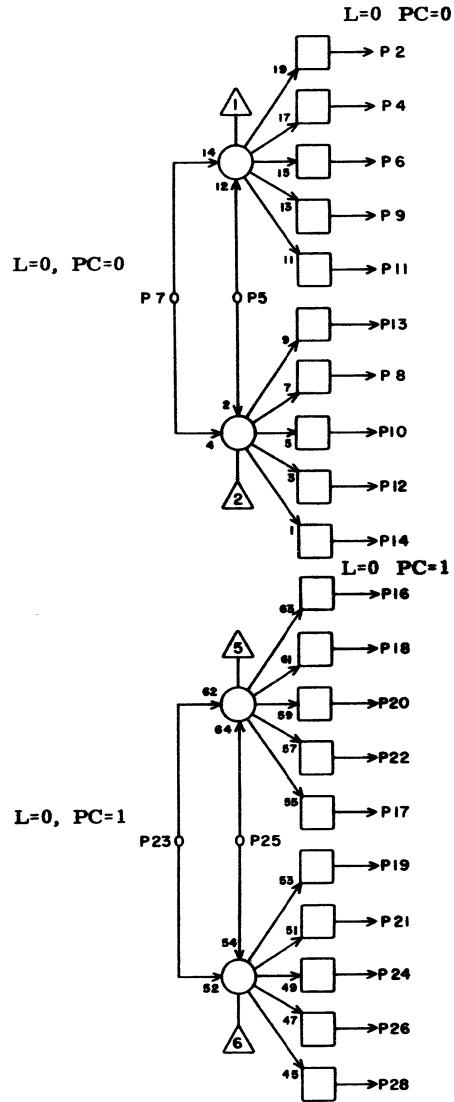


5A22

JACK	PIN	LG
1		
2		
3	F37	22 27
4	I6	21 37
5		
6	N07	2 49
7	A25	13 5
8		
9	G30	26 27
10	A25	16 5
11	A16	13 7
12	A16	16 7
13	G31	23 29
14	G31	21 29
15		
16	I25	13 33
17	G31	4 27
18	G31	6 27
19	B16	13 11
20	B25	13 7
21		
22	B16	16 9
23		
24	B25	16 7
25	N10	18 53
26	G30	3 25
27		
28		

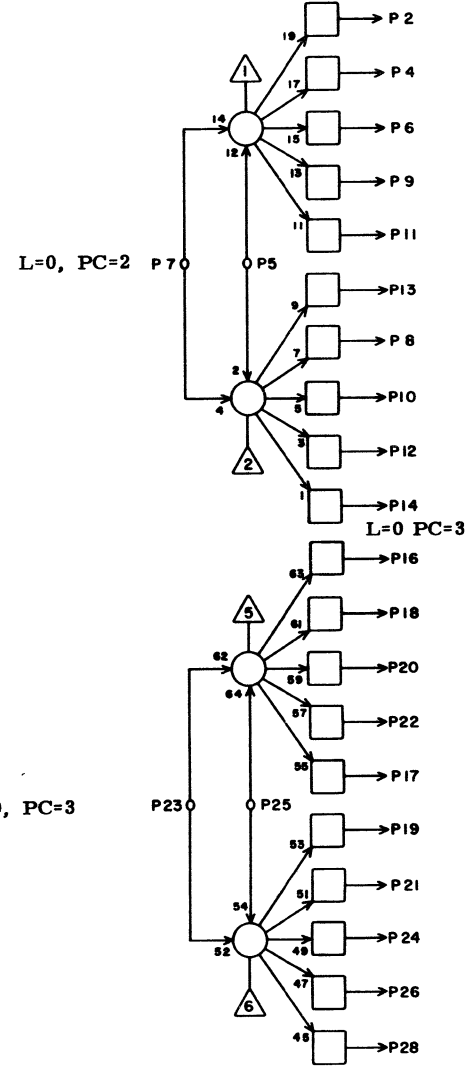
60150800 Rev T

* On 6614 Only



1			
2	A31	4	11
3			
4	A32	4	13
5	A25	12	3
6	A33	4	13
7	GRD	X	2
8	A37	4	15
9	A34	4	13
10	A38	4	17
11	A35	4	15
12	A39	4	19
13	A36	4	15
14	A40	4	19
15			
16	A31	26	11
17	A35	26	15
18	A32	26	13
19	A36	26	15
20	A33	26	13
21	A37	26	15
22	A34	26	13
23	GRD	X	2
24	A38	26	17
25	A25	11	5
26	A39	26	17
27			
28	A40	26	19

JACK PIN LG
CIRCUIT SPECIFICATION 11827600
60150800 Rev B



1			
2	A31	9	11
3			
4	A32	9	11
5	B25	12	7
6	A33	9	13
7	GRD	X	2
8	A37	9	15
9	A34	9	13
10	A38	9	15
11	A35	9	13
12	A39	9	17
13	A36	9	15
14	A40	9	19
15			
16	A31	7	11
17	A35	7	13
18	A32	7	13
19	A36	7	15
20	A33	7	13
21	A37	7	15
22	A34	7	13
23	GRD	X	2
24	A38	7	15
25	B25	11	5
26	A39	7	17
27			
28	A40	7	19

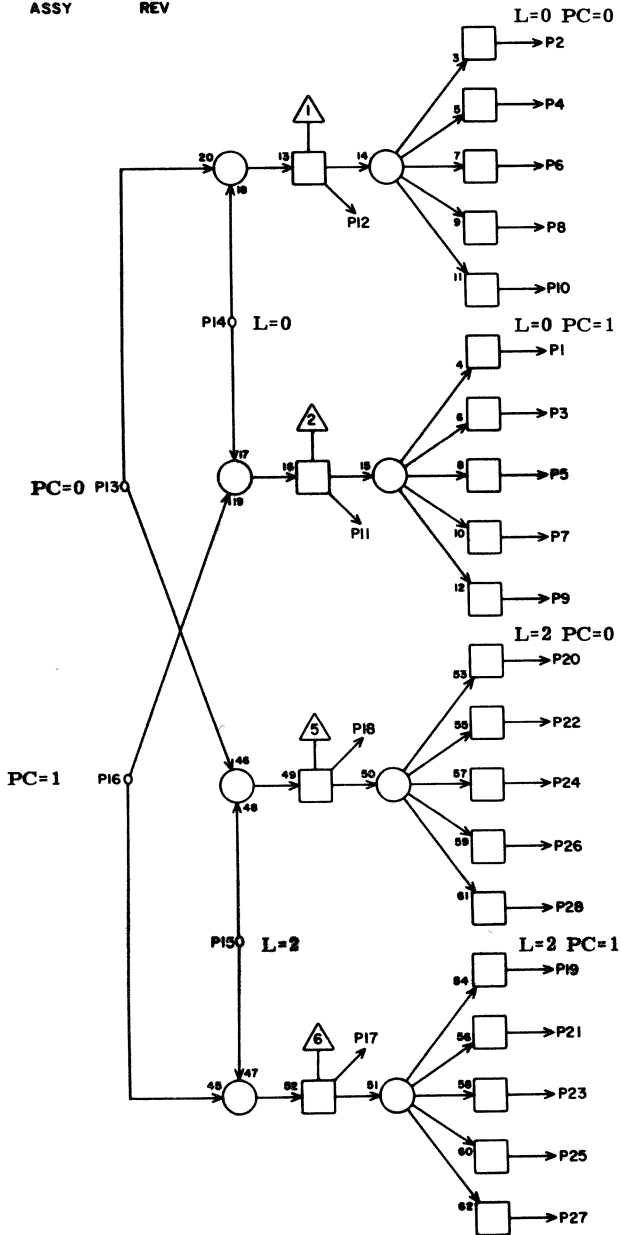
JACK PIN LG
CIRCUIT SPECIFICATION 11827600
60150800 Rev B

LS 63044700
ASSY

C
REV

HB

5A25



1	A26	26	3
2	A26	4	3
3	A27	26	5
4	A27	4	5
5	A28	26	5
6	A28	4	5
7	A29	26	5
8	A29	4	7
9	A30	26	7
10	A30	4	7
11	A23	25	5
12	A23	5	3
13	A22	7	5
14	A21	9	5
15	A21	8	7
16	A22	10	5
17	B23	25	7
18	B23	5	5
19	C26	26	13
20	C26	4	11
21	C27	26	13
22	C27	4	11
23	C28	26	13
24	C28	4	11
25	C29	26	13
26	C29	4	11
27	C30	26	13
28	C30	4	11

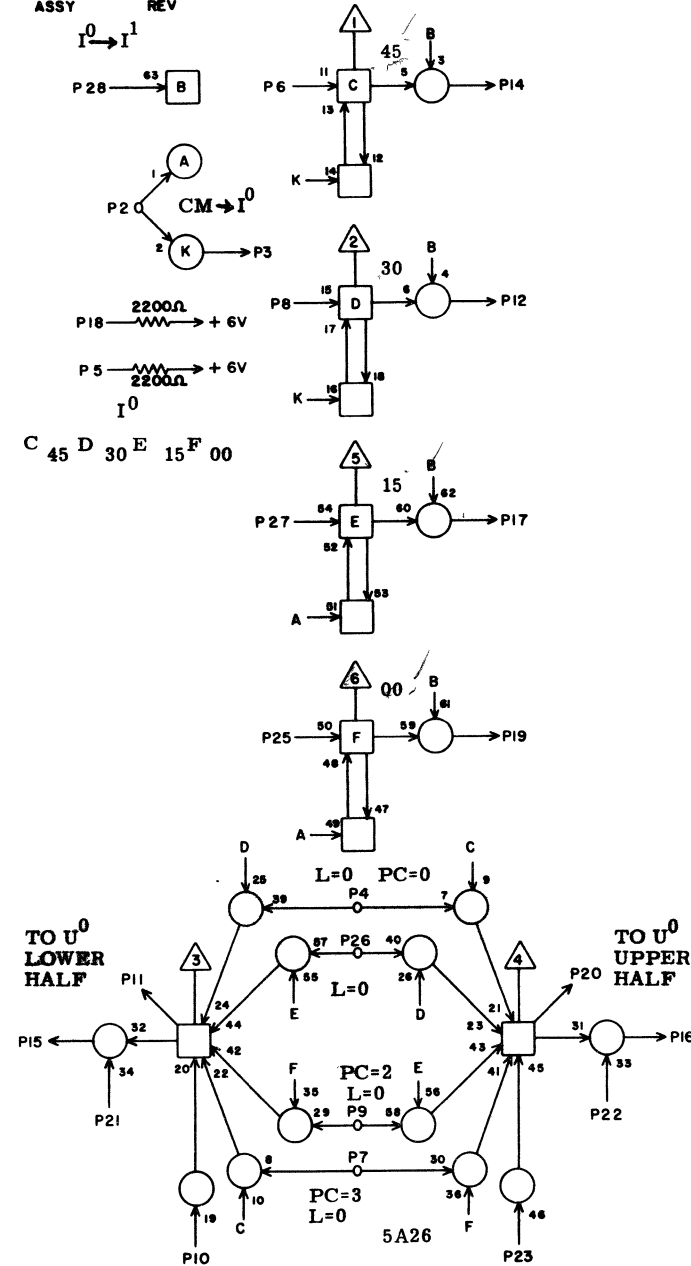
JACK PIN LG
CIRCUIT SPECIFICATION 11827600
60150800 Rev R

LS 63047200
ASSY

B
REV

INSTRUCTION STACK
IO IA

5A26

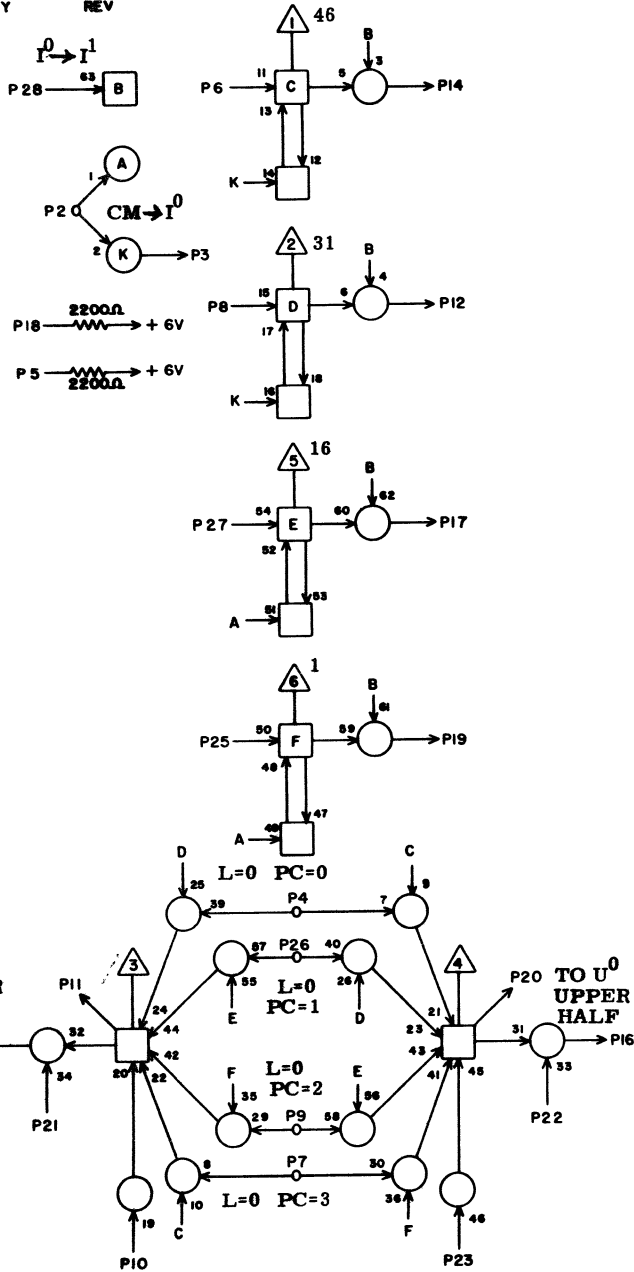


1			
2	E23	15	21
3	A41	16	17
4	A25	2	3
5			
6	A41	3	17
7	B25	1	7
8	B41	21	19
9	B25	2	7
10	A26	18	3
11	C26	10	11
12	B26	8	5
13			
14	B26	6	5
15			
16	D16	18	19
17	B26	27	7
18	A26	10	3
19	B26	25	7
20			
21			
22	D16	17	17
23	C26	20	11
24			
25	D42	21	21
26	A25	1	3
27	C42	3	19
28	B26	3	5

JACK PIN LG
CIRCUIT SPECIFICATION 11827600
60150800 Rev B

INSTRUCTION STACK
10

LS 63047200
ASSY **B**
REV

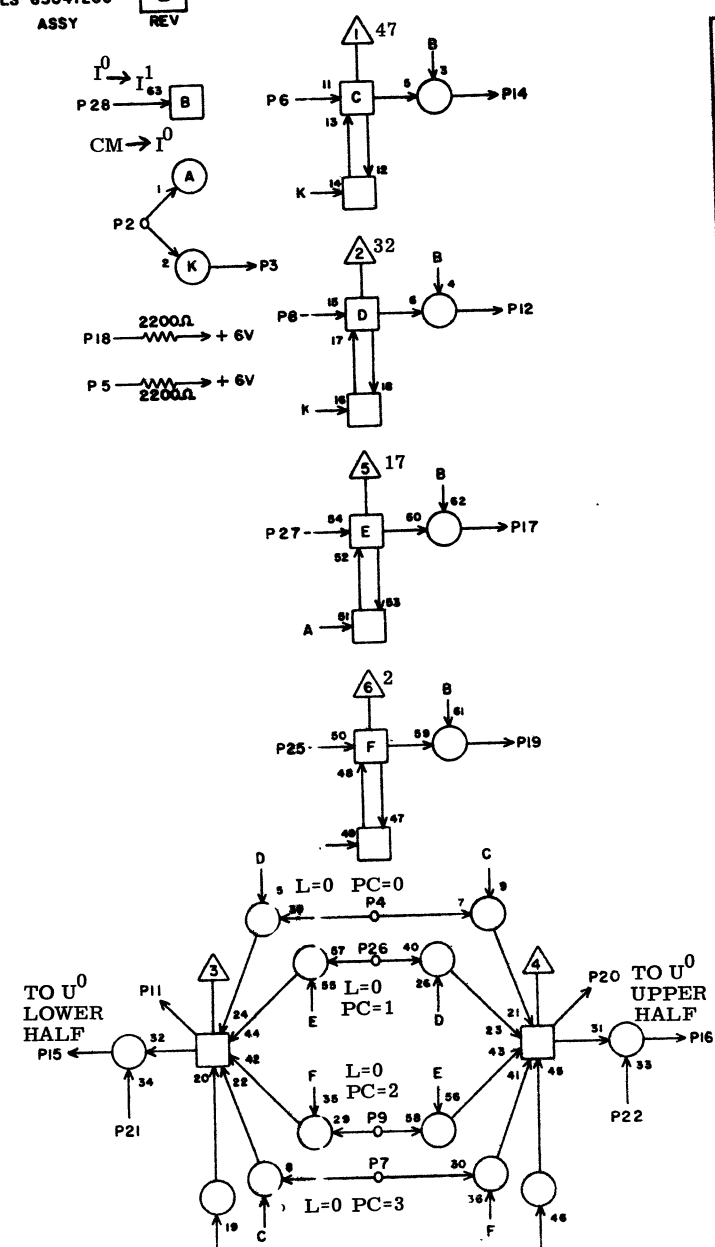


JACK	PIN	LG
1		
2	E23	7 19
3	A42	16 17
4	A25	4 5
5		
6	A41	5 17
7	B25	3 7
8	B41	24 17
9	B25	4 5
10	A27	18 3
11	C27	10 11
12	B27	8 5
13		
14	B27	6 5
15		
16	D17	18 19
17	B27	27 7
18	A27	10 3
19	B27	25 7
20		
21		
22	D17	17 17
23	C27	20 11
24		
25	D42	24 21
26	A25	3 5
27	C42	5 19
28	B27	3 5

CIRCUIT SPECIFICATION 11827600
60150800 Rev B

INSTRUCTION STACK
10

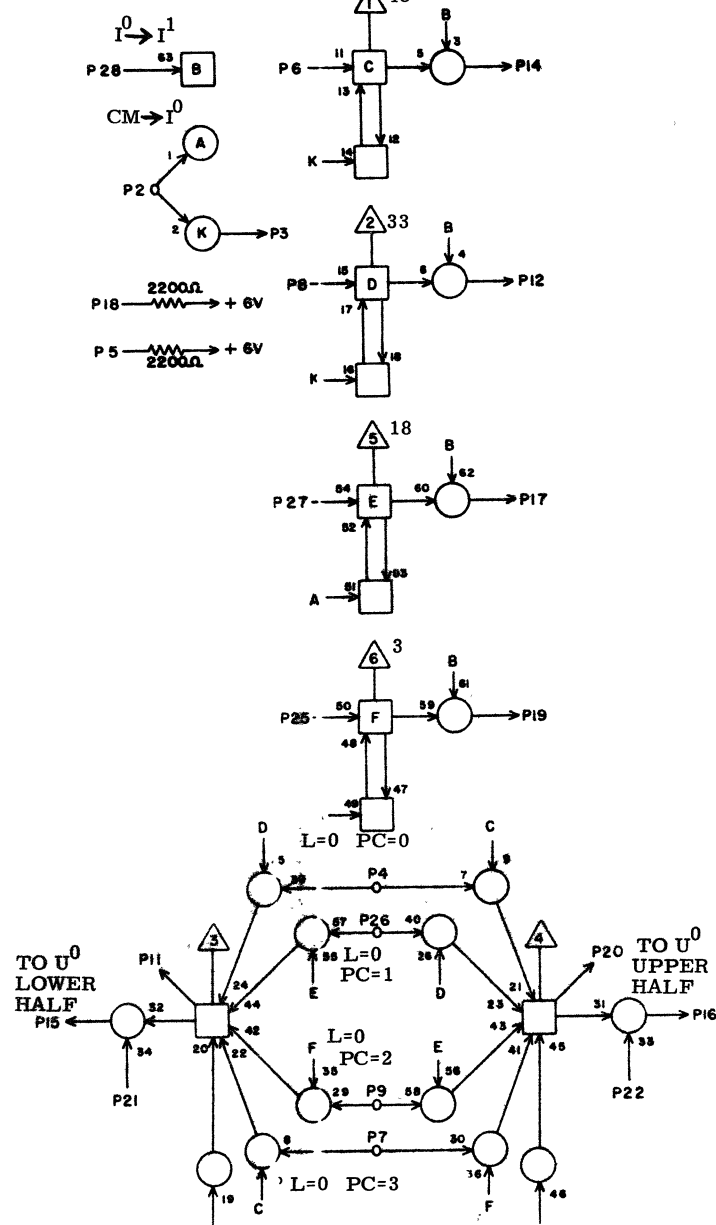
LS 63047200
ASSY **B**
REV



JACK	PIN	LG
1		
2	E23	6 19
3	B41	16 17
4	A25	6 5
5		
6	A41	10 15
7	B25	5 7
8	B41	26 17
9	B25	6 7
10	A28	18 3
11	C28	10 11
12	B28	8 5
13		
14	B28	6 5
15		
16	D18	18 19
17	B28	27 7
18	A28	10 3
19	B28	25 7
20		
21		
22	D18	17 17
23	C28	20 11
24		
25	D42	26 21
26	A25	5 5
27	C42	10 19
28	B28	3 5

CIRCUIT SPECIFICATION 11827600
60150800 Rev B

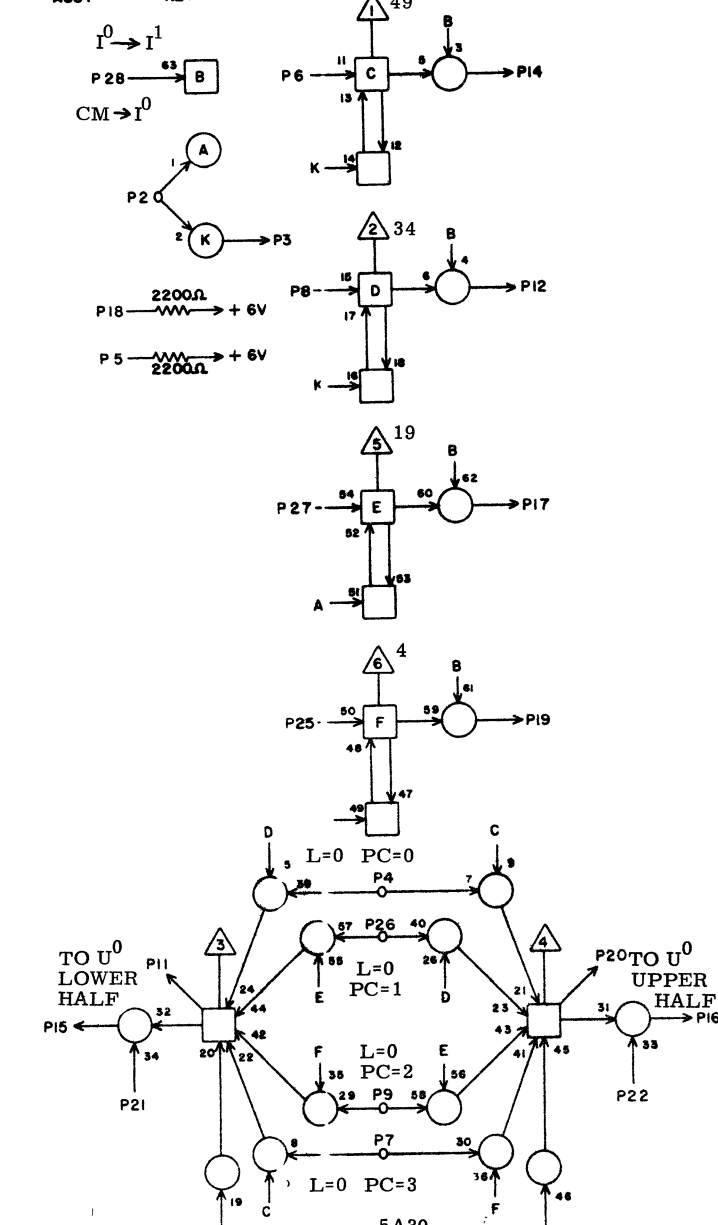
LS 63047200 **3** INSTRUCTION STACK 10 IA



5A29			
1			
2	E23	4	21
3	B42	16	17
4	A25	8	7
5			
6	A41	21	15
7	B25	7	7
8	B42	3	17
9	B25	8	7
10	A29	18	3
11	C29	10	11
12	B29	8	5
13			
14	B29	6	5
15			
16	D19	18	17
17	B29	27	7
18	A29	10	3
19	B29	25	7
20			
21			
22	D19	17	17
23	C29	20	11
24			
25	E41	3	21
26	A25	7	5
27	C42	21	17
28	B29	3	5

JACK PIN LG
CIRCUIT SPECIFICATION 11827600
60150800 Rev B

LS 63047200 **3** INSTRUCTION STACK 10 IA



5A30			
1			
2	E23	9	21
3	C41	16	17
4	A25	10	7
5			
6	A41	24	15
7	B25	9	9
8	B42	5	17
9	B25	10	9
10	A30	18	3
11	C30	10	11
12	B30	8	5
13			
14	B30	6	5
15			
16	D20	18	17
17	B30	27	7
18	A30	10	3
19	B30	25	7
20			
21			
22	D20	17	19
23	C30	20	11
24			
25	E41	5	21
26	A25	9	7
27	C42	24	17
28	B30	3	5

JACK PIN LG
CIRCUIT SPECIFICATION 11827600
60150800 Rev B

LS 63047200
ASSY

B
REV

INSTRUCTION STACK
10

IA

5A31

1			
2	E23	11	21
3	C42	16	17
4	A23	2	11
5			
6	A41	26	15
7	A24	16	11
8	B42	10	15
9	A24	2	11
10	A31	18	3
11	C31	10	11
12	B31	8	5
13			
14	B31	6	5
15			
16	D21	18	17
17	B31	27	7
18	A31	10	3
19	B31	25	7
20			
21			
22	D21	17	17
23	C31	20	11
24			
25	E41	10	21
26	A23	16	11
27	C42	26	17
28	B31	3	5

JACK PIN LG
CIRCUIT SPECIFICATION 1M27600

60150800 Rev B

LS 63047200
ASSY

B
REV

INSTRUCTION STACK
10

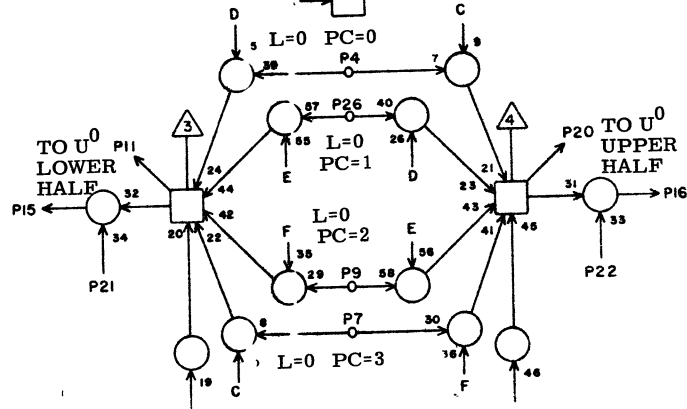
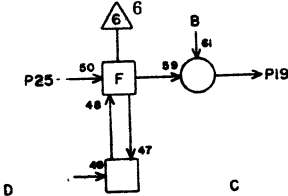
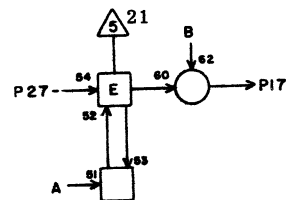
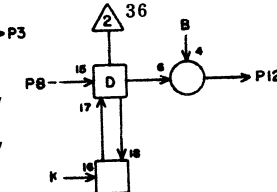
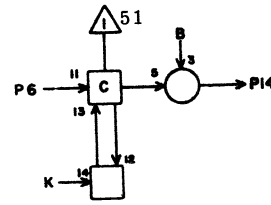
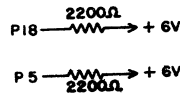
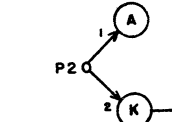
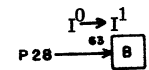
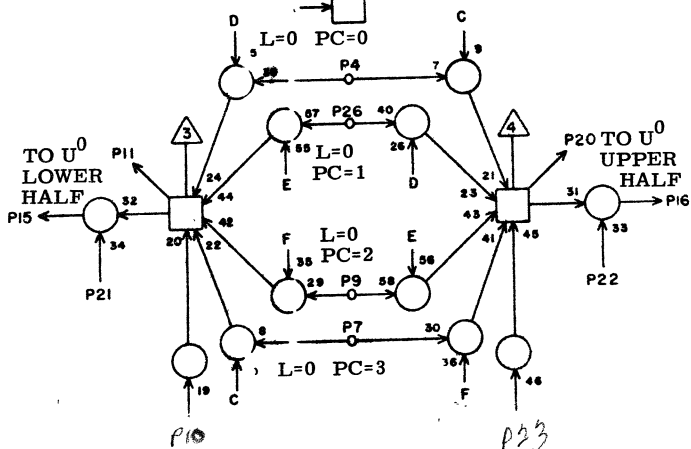
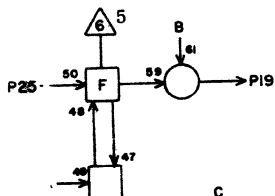
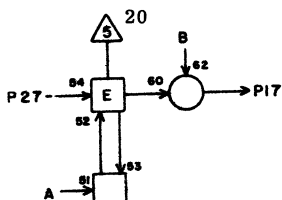
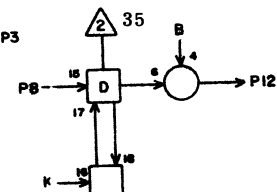
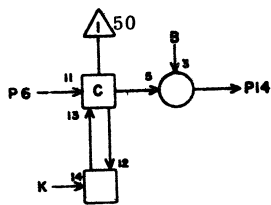
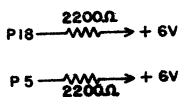
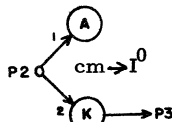
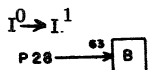
IA

5A32

1			
2	E23	13	21
3	D41	16	19
4	A23	4	13
5			
6	A42	3	15
7	A24	18	13
8	B42	21	15
9	A24	4	11
10	A32	18	3
11	C32	10	11
12	B32	8	5
13			
14	B32	6	5
15			
16	D22	18	17
17	B32	27	7
18	A32	10	3
19	B32	25	7
20			
21			
22	D22	17	19
23	C32	20	11
24			
25	E41	21	21
26	A23	18	13
27	D41	3	17
28	B32	3	5

JACK PIN LG
CIRCUIT SPECIFICATION 1M27600

60150800 Rev B

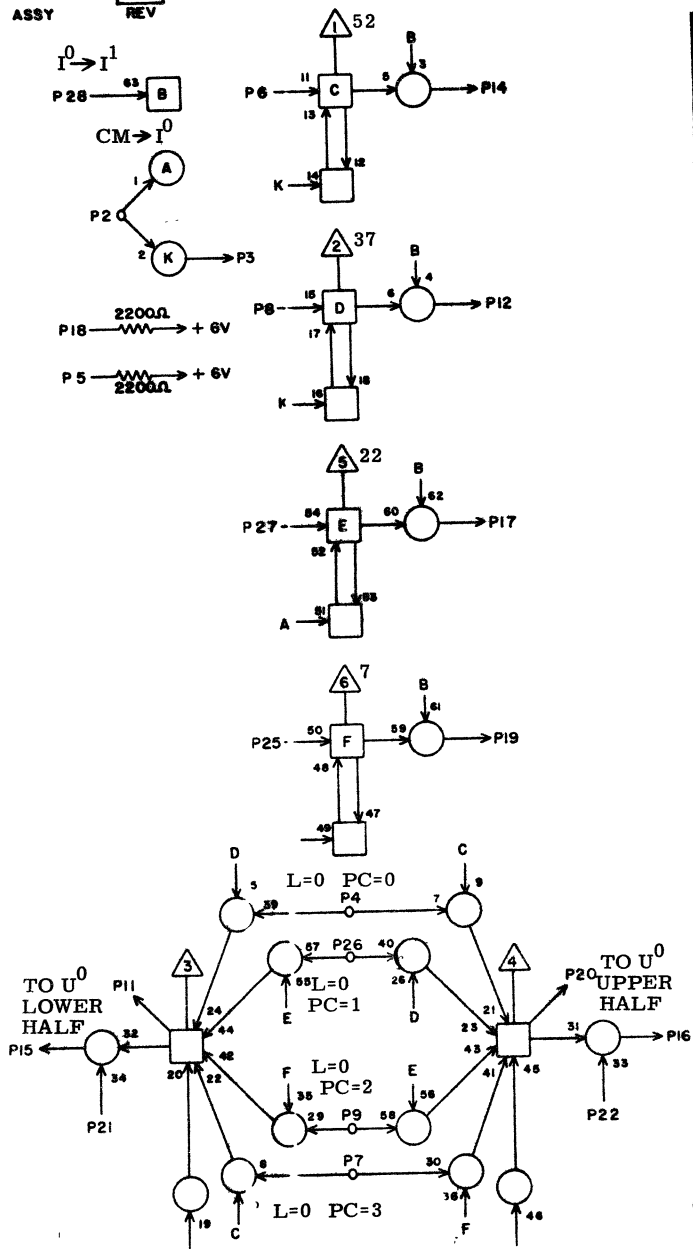


LS 63047200
ASSY REV **3**

INSTRUCTION STACK
10

1A

5A33



1			
2	E23	1	21
3	D42	16	19
4	A23	6	13
5			
6	A42	5	13
7	A24	20	13
8	B42	24	15
9	A24	6	13
10	A33	18	3
11	C33	10	11
12	B33	8	5
13			
14	B33	6	5
15			
16	D23	18	19
17	B33	27	7
18	A33	10	3
19	B33	25	7
20			
21			
22	D23	17	17
23	C33	20	11
24			
25	E41	24	19
26	A23	20	13
27	D41	5	17
28	B33	3	5

JACK PIN LG
CIRCUIT SPECIFICATION 11827600

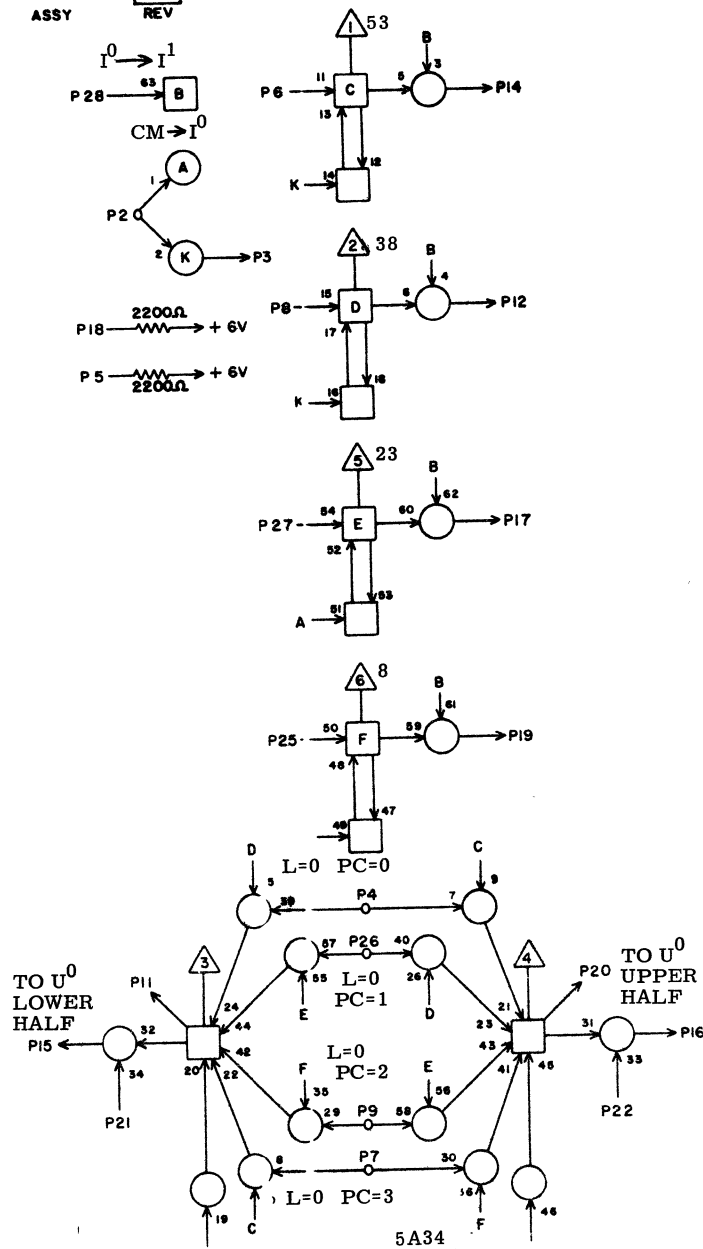
60150800 Rev B

LS 63047200
ASSY REV **3**

INSTRUCTION STACK
10

1A

5A34



1			
2	E23	8	23
3	E41	16	21
4	A23	9	13
5			
6	A42	10	11
7	A24	22	13
8	B42	26	13
9	A24	9	13
10	A34	18	3
11	C34	10	11
12	B34	8	7
13			
14	B34	6	7
15			
16	D24	18	17
17	B34	27	7
18	A34	10	3
19	B34	25	7
20			
21			
22	D24	17	17
23	C34	20	11
24			
25	E41	26	19
26	A23	22	13
27	D41	10	17
28	B34	3	5

JACK PIN LG
CIRCUIT SPECIFICATION 11827600

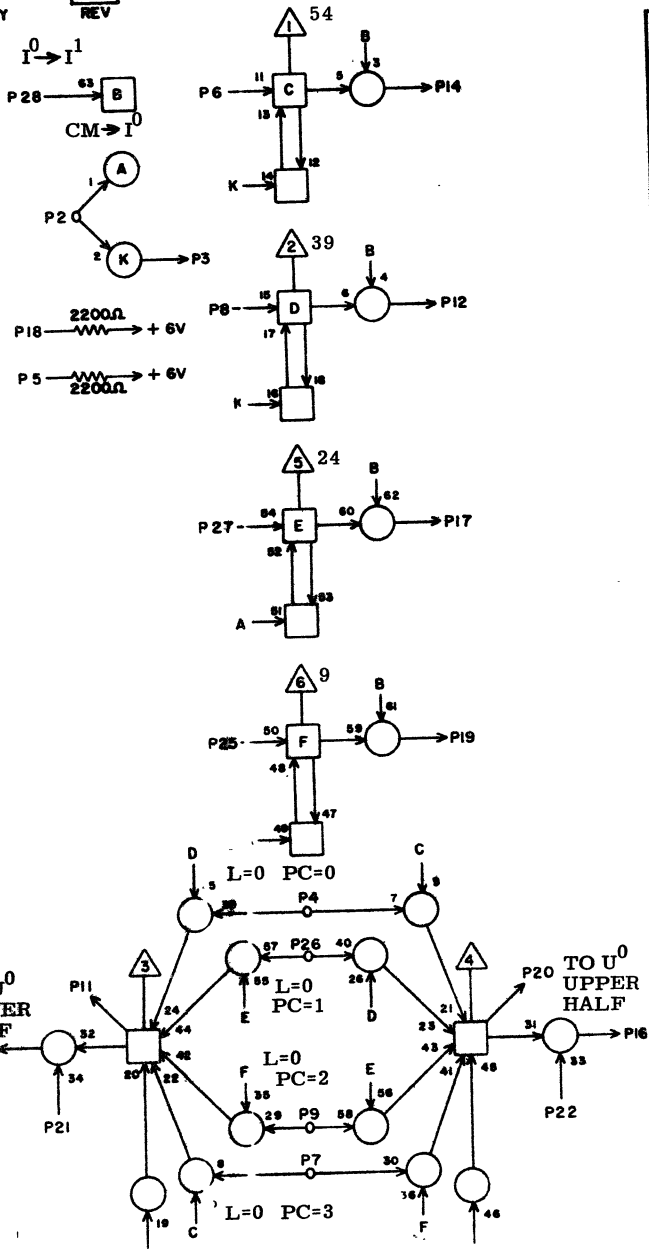
60150800 Rev B

LS 63047200
ASSY

B
REV

INSTRUCTION STACK
10

1A



5A35			
JACK	PIN	LG	
1			
2	E23	10	23
3	E42	16	21
4	A23	11	15
5			
6	A42	21	11
7	A24	17	13
8	C41	3	13
9	A24	11	13
10	A35	18	3
11	C35	10	11
12	B35	8	5
13			
14	B35	6	5
15			
16	D25	18	17
17	B35	27	7
18	A35	10	3
19	B35	25	7
20			
21			
22	D25	17	17
23	C35	20	11
24			
25	E42	3	19
26	A23	17	15
27	D41	21	17
28	B35	3	5

CIRCUIT SPECIFICATION 11827600

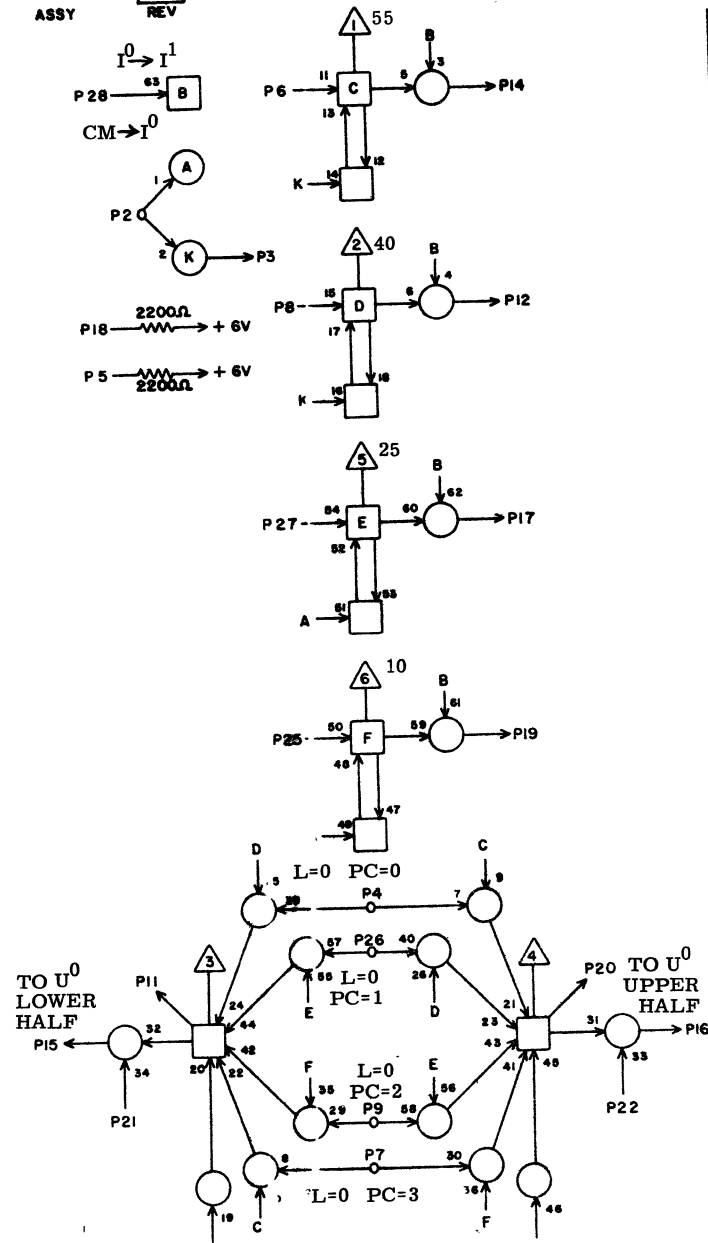
60150800 Rev B

LS 63047200
ASSY

B
REV

INSTRUCTION STACK
10

1A



5A36			
JACK	PIN	LG	
1			
2	E23	12	23
3			
4	A23	13	15
5			
6	A42	24	7
7	A24	19	15
8	C41	5	15
9	A24	13	15
10	A36	18	3
11	C36	10	11
12	B36	8	5
13			
14	B36	6	5
15			
16	E18	18	25
17	B36	27	7
18	A36	10	3
19	B36	25	7
20			
21			
22	E18	17	25
23	C36	20	11
24			
25	E42	5	19
26	A23	19	15
27	D41	24	17
28	B36	3	5

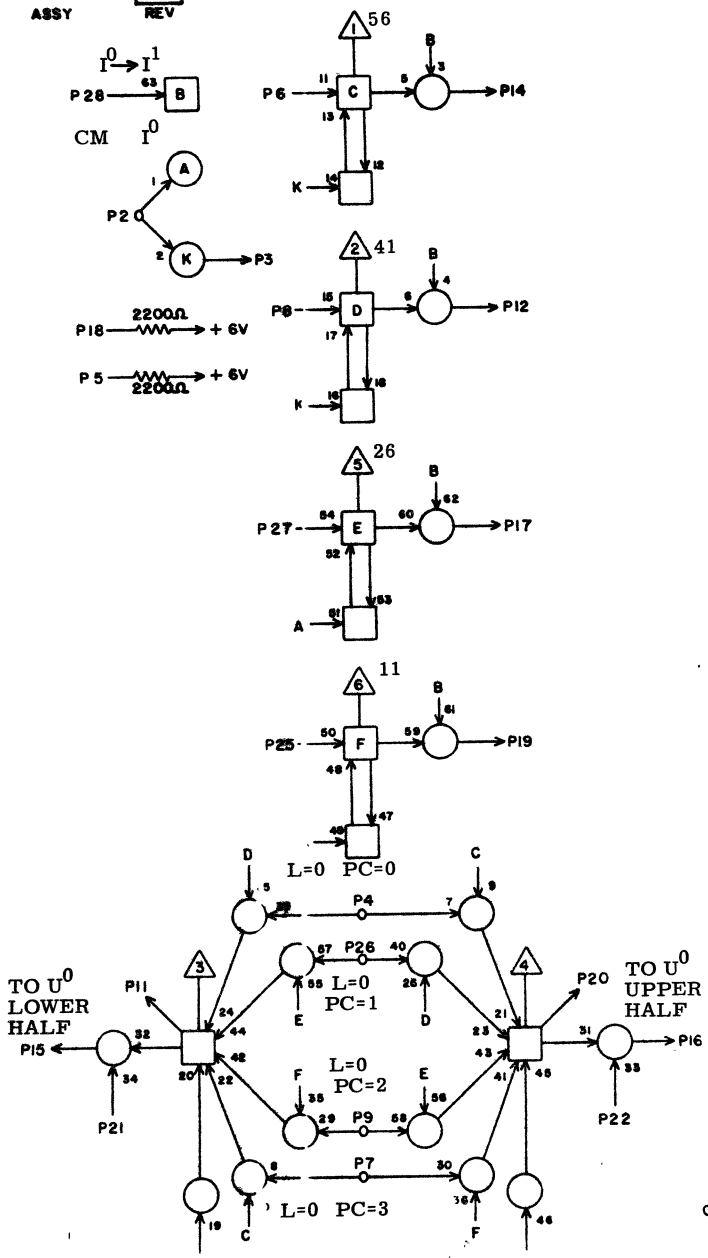
CIRCUIT SPECIFICATION 11827600

60150800 Rev B

LS 63047200
ASSY

INSTRUCTION STACK
10 1A

5A37



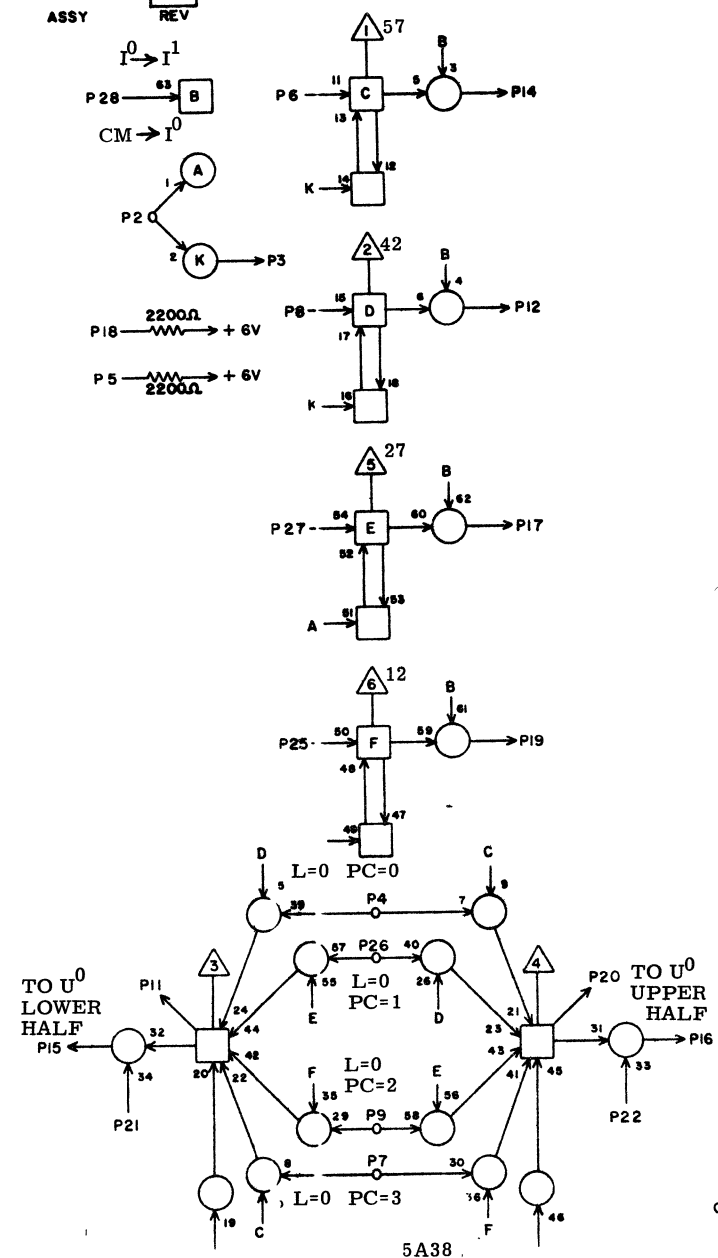
1			
2	E23	2	23
3			
4	A23	8	15
5			
6	A42	26	7
7	A24	21	15
8	C41	10	13
9	A24	8	15
10	A37	18	3
11	C37	10	11
12	B37	8	5
13			
14	B37	6	5
15			
16	E19	18	25
17	B37	27	7
18	A37	10	3
19	B37	25	7
20			
21			
22	E19	17	25
23	C37	20	11
24			
25	E42	10	19
26	A23	21	15
27	D41	26	15
28	B37	3	5

JACK PIN LG
CIRCUIT SPECIFICATION 11827600
60150800 Rev B

LS 63047200
ASSY

INSTRUCTION STACK
10 1A

5A38



1			
2	E25	6	23
3			
4	A23	10	17
5			
6	B41	3	7
7	A24	24	17
8	C41	21	13
9	A24	10	15
10	A38	18	3
11	C38	10	11
12	B38	8	5
13			
14	B38	6	7
15			
16	E20	18	25
17	B38	27	7
18	A38	10	3
19	B38	25	7
20			
21			
22	E20	17	25
23	C38	20	11
24			
25	E42	21	19
26	A23	24	17
27	D42	3	15
28	B38	3	5

JACK PIN LG
CIRCUIT SPECIFICATION 11827600
60150800 Rev B

LS 63047200
ASSY

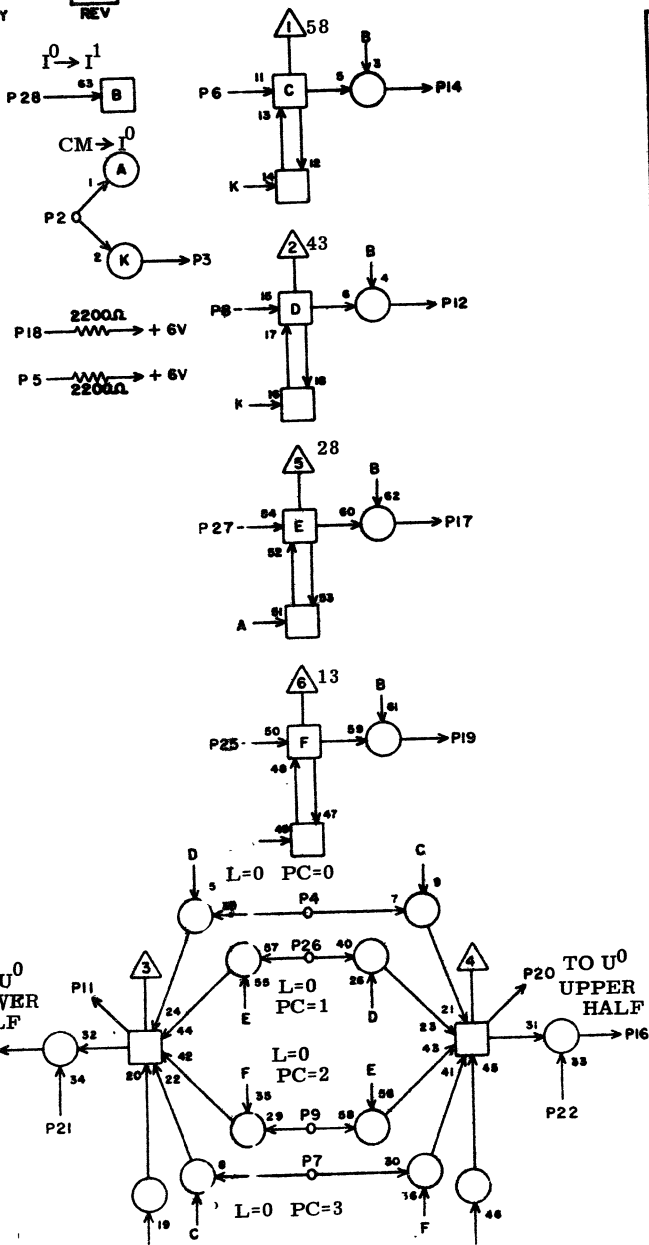
REV

INSTRUCTION STACK

10

IA

5A39



JACK	PIN	LG
1		
2	E25	8 23
3		
4	A23	12 17
5		
6	B41	5 7
7	A24	26 17
8	C41	24 13
9	A24	12 17
10	A39	18 3
11	C39	10 11
12	B39	8 5
13		
14	B39	6 5
15		
16	E21	18 25
17	B39	27 7
18	A39	10 3
19	B39	25 7
20		
21		
22	E21	17 25
23	C39	20 11
24		
25	E42	24 19
26	A23	26 17
27	D42	5 15
28	B39	3 5

CIRCUIT SPECIFICATION IN27600

60151800 Rev B

LS 63047200
ASSY

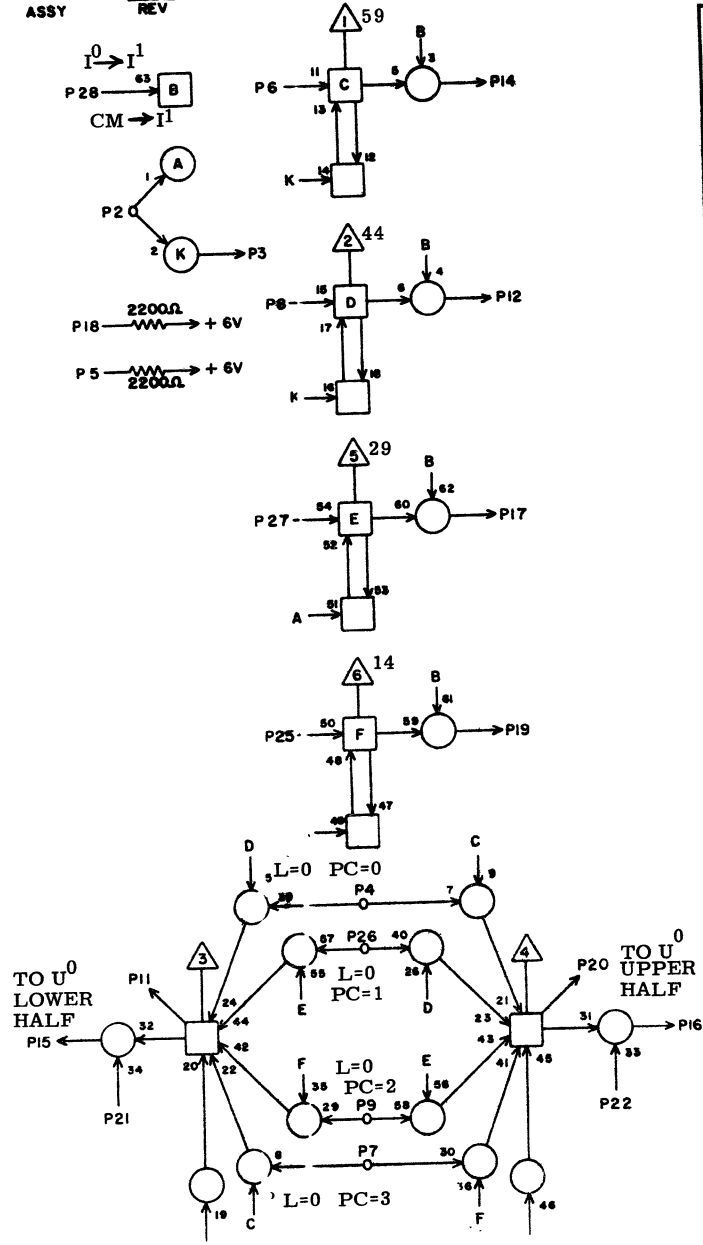
REV

INSTRUCTION STACK

10

IA

5A40



JACK	PIN	LG
1		
2	E25	10 23
3		
4	A23	14 19
5		
6	B41	10 7
7	A24	28 19
8	C41	26 13
9	A24	14 19
10	A40	18 3
11	C40	10 11
12	B40	8 5
13		
14	B40	6 5
15		
16	E22	18 25
17	B40	27 7
18	A40	10 3
19	B40	25 7
20		
21		
22	E22	17 25
23	C40	20 11
24		
25	E42	26 19
26	A23	28 19
27	D42	10 15
28	B40	3 5

CIRCUIT SPECIFICATION IN27600

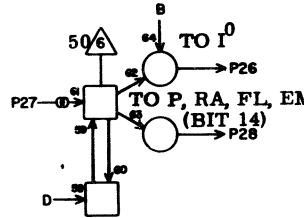
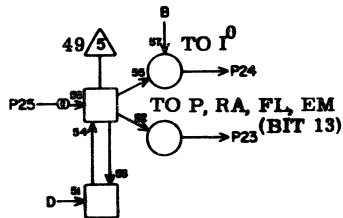
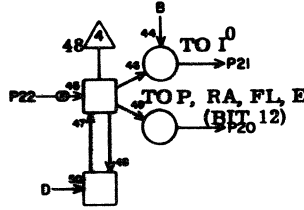
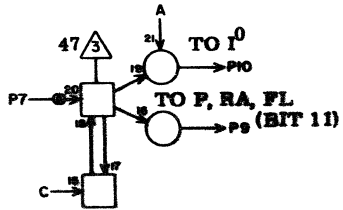
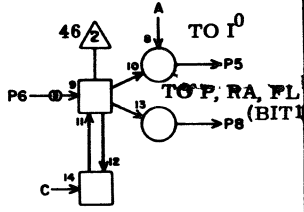
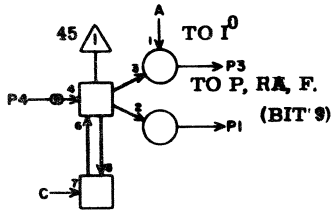
60150800 Rev B

LS 63049100 **B**
ASSY REV

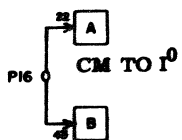
BUFFER INPUT REGISTER

17

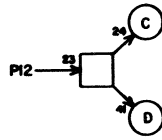
5A41



IN 45 - IN 50



120



1	N35	3	55
2			
3	A26	6	17
4	W03	900	
5	A27	6	17
6	W03	901	
7	W03	902	
8	N36	25	60
9	N36	3	55
10	A28	6	15
11			
12	E29	15	23
13			
14			
15			
16	A26	3	17
17			
18			
19			
20	N37	25	60
21	A29	6	15
22	W03	903	
23	N37	3	55
24	A30	6	15
25	W03	904	
26	A31	6	15
27	W03	905	
28	N38	25	55

JACK PIN LG
CIRCUIT SPECIFICATION 11827600

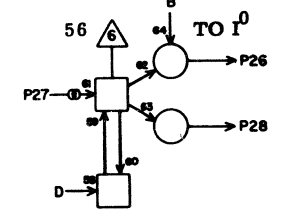
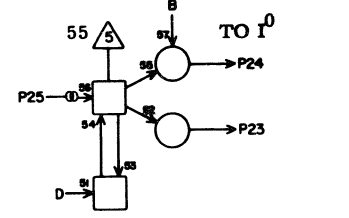
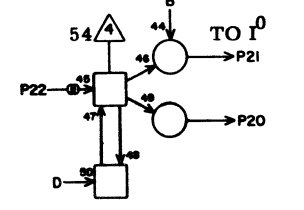
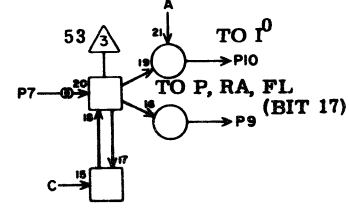
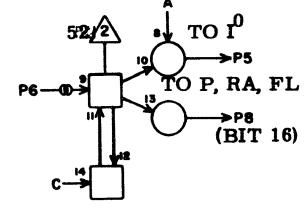
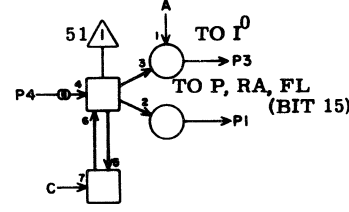
60150800 Rev K

LS 63049100 **B**
ASSY REV

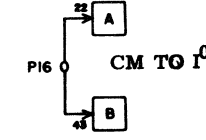
BUFFER INPUT REGISTER

17

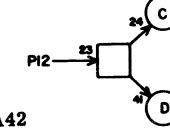
5A42



IN 51 - IN 56



120



1	N38	3	55
2			
3	A32	6	15
4	W03	906	
5	A33	6	13
6	W03	907	
7	W03	90	
8	N39	25	60
9	N39	3	55
10	A34	6	11
11			
12	E29	7	23
13			
14			
15			
16	A27	3	17
17			
18			
19			
20			
21	A35	6	11
22	W03	91	
23			
24	A36	6	7
25	W03	92	
26	A37	6	7
27	W03	93	
28			

JACK PIN LG
CIRCUIT SPECIFICATION 11827600

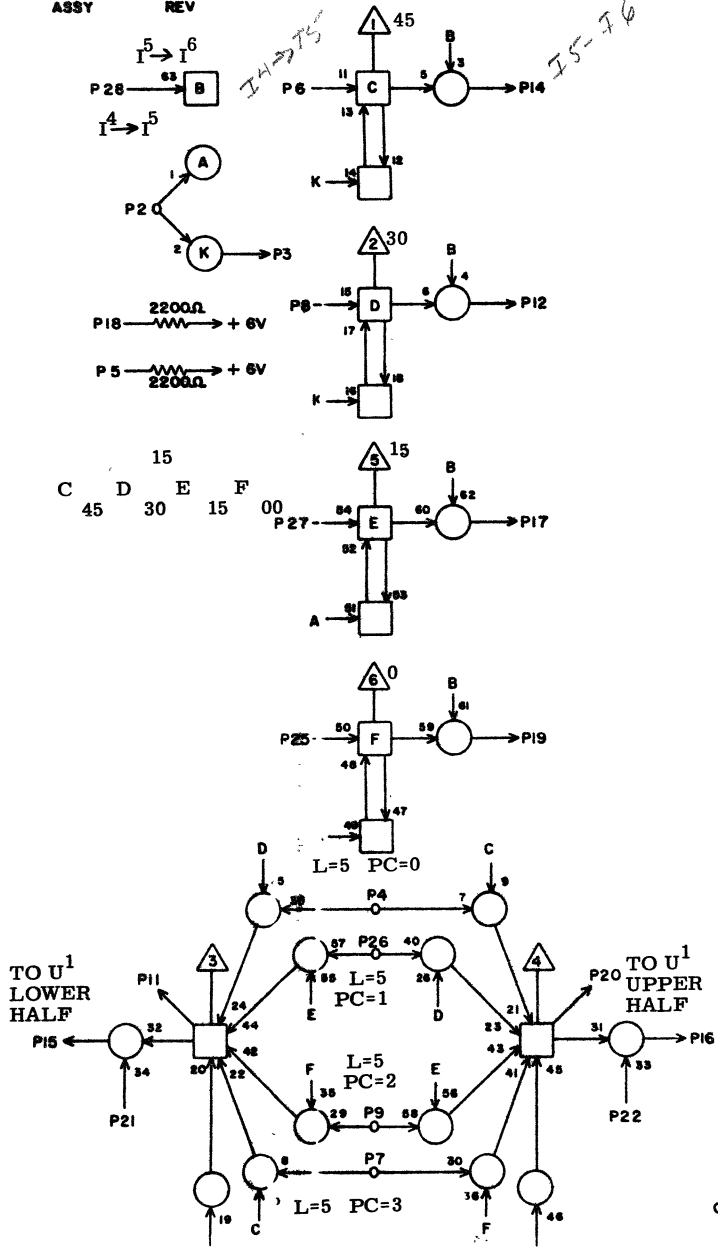
60150800 Rev K

5A42

LS 63047200 **B**
ASSY REV

INSTRUCTION STACK
15 IA

5B01



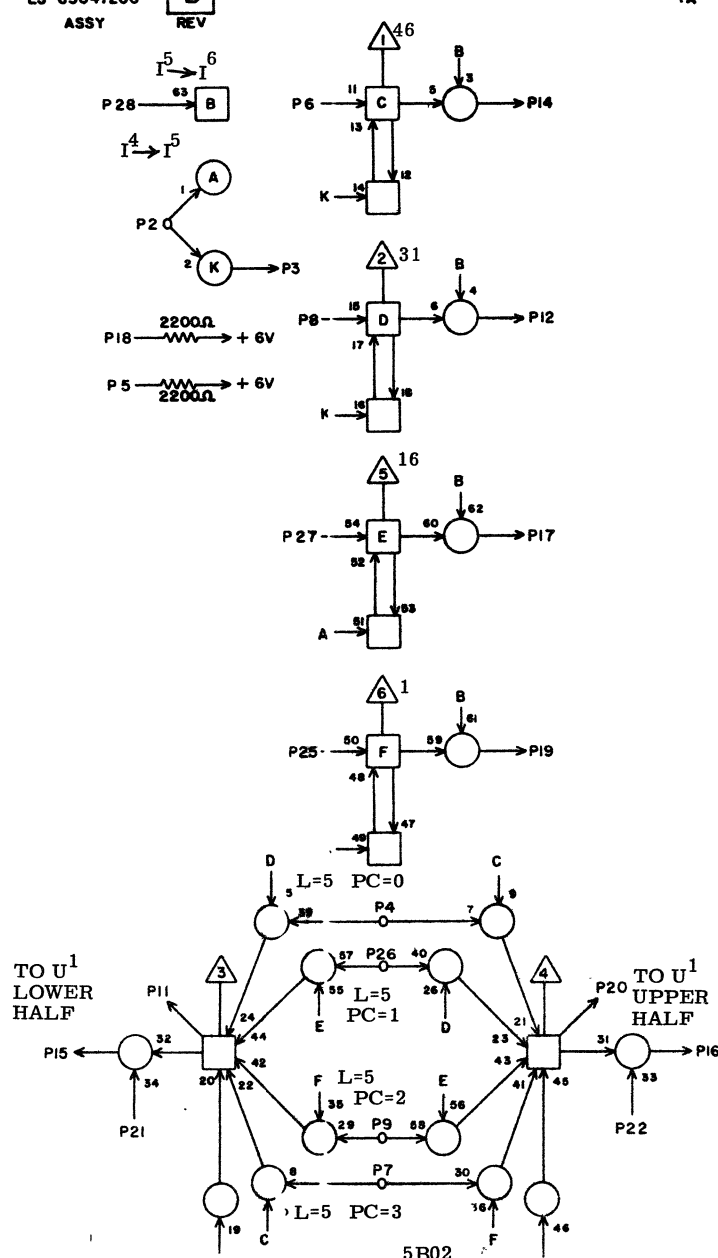
1			
2	E16	25	23
3	A01	28	5
4	C16	2	17
5	E12	18	19
6	A01	14	9
7	C17	1	19
8	A01	12	5
9	C17	2	19
10	B01	18	3
11	D01	10	11
12	C01	8	5
13			
14	C01	6	5
15			
16	D16	28	19
17	C01	27	7
18	B01	10	3
19	C01	25	7
20			
21			
22	GRD	X	2
23	D01	20	11
24			
25	A01	19	7
26	C16	1	17
27	A01	17	7
28	C01	3	5

JACK PIN LG
CIRCUIT SPECIFICATION 11827600
60150800 Rev B

LS 63047200 **B**
ASSY REV

INSTRUCTION STACK
15 IA

5B02



1			
2	E16	23	21
3	A02	28	5
4	C16	4	17
5			
6	A02	14	7
7	C17	3	17
8	A02	12	5
9	C17	4	17
10	B02	18	3
11	D02	10	11
12	C02	8	5
13			
14	C02	6	5
15			
16	D17	28	19
17	C02	27	7
18	B02	10	3
19	C02	25	7
20			
21			
22	B02	X	2
23	D02	20	11
24			
25	A02	19	7
26	C16	3	17
27	A02	17	7
28	C02	3	5

JACK PIN LG
CIRCUIT SPECIFICATION 11827600
60150800 Rev J

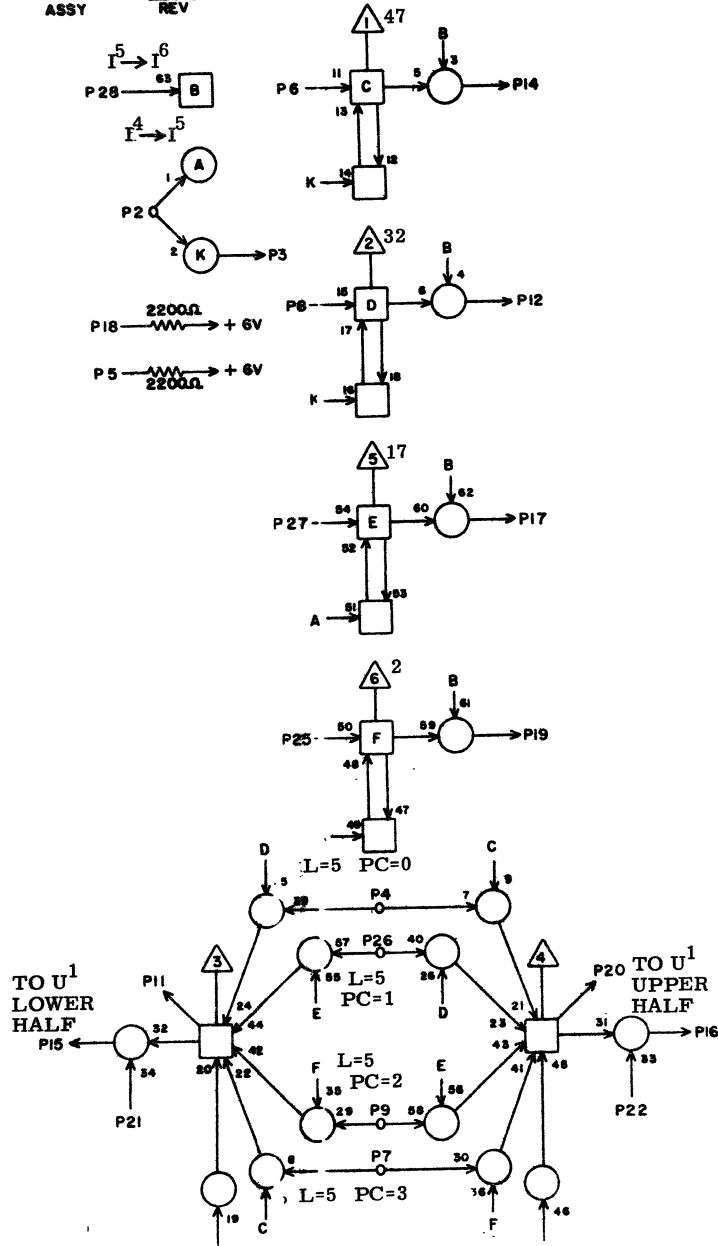
LS 63047200
ASSY

REV B

INSTRUCTION STACK
15

IA

5B03



1			
2	E16	26	21
3	A03	28	5
4	C16	6	15
5			
6	A03	14	5
7	C17	5	17
8	A03	12	5
9	C17	6	17
10	B03	18	3
11	D03	10	11
12	C03	8	5
13			
14	C03	6	5
15			
16	D18	28	19
17	C03	27	7
18	B03	10	3
19	C03	25	7
20			
21			
22	GRD	X	2
23	D03	20	11
24			
25	A03	19	7
26	C16	5	15
27	A03	17	7
28	C03	3	5
	JACK	PIN	LG

CIRCUIT SPECIFICATION 11827600
60150800 Rev B

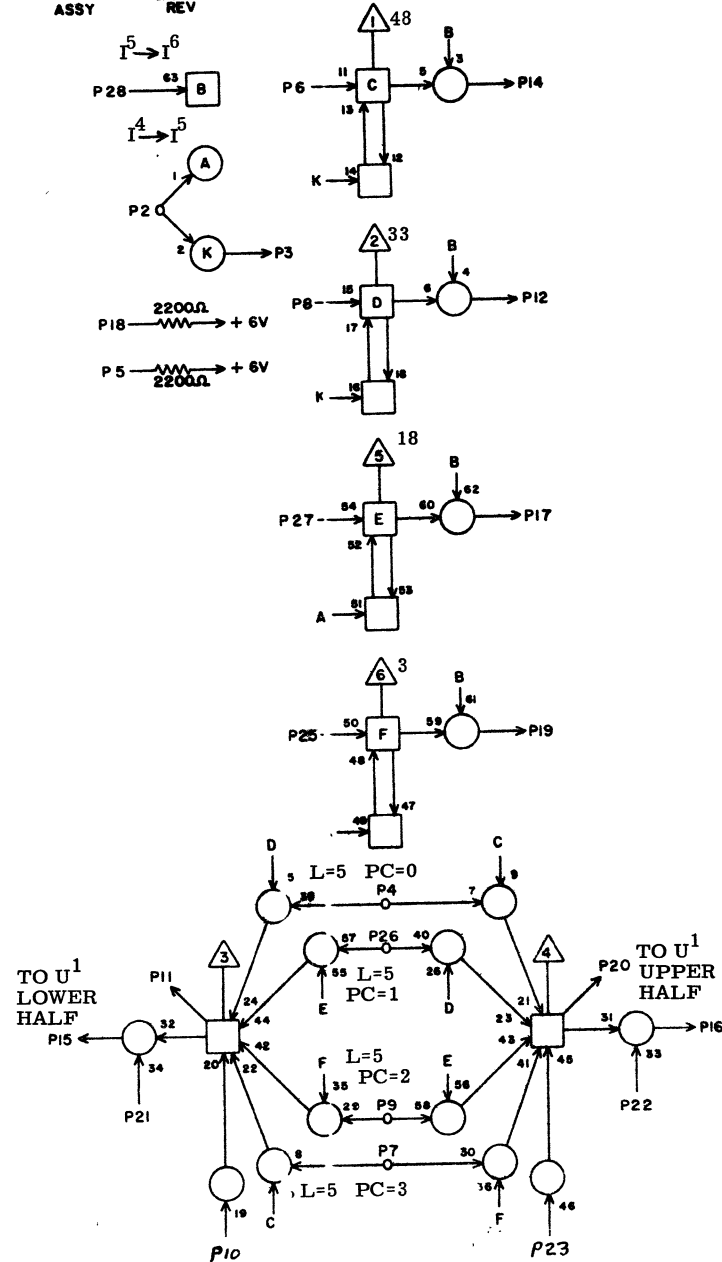
INSTRUCTION STACK
15

IA

5B04

LS 63047200
ASSY

REV B

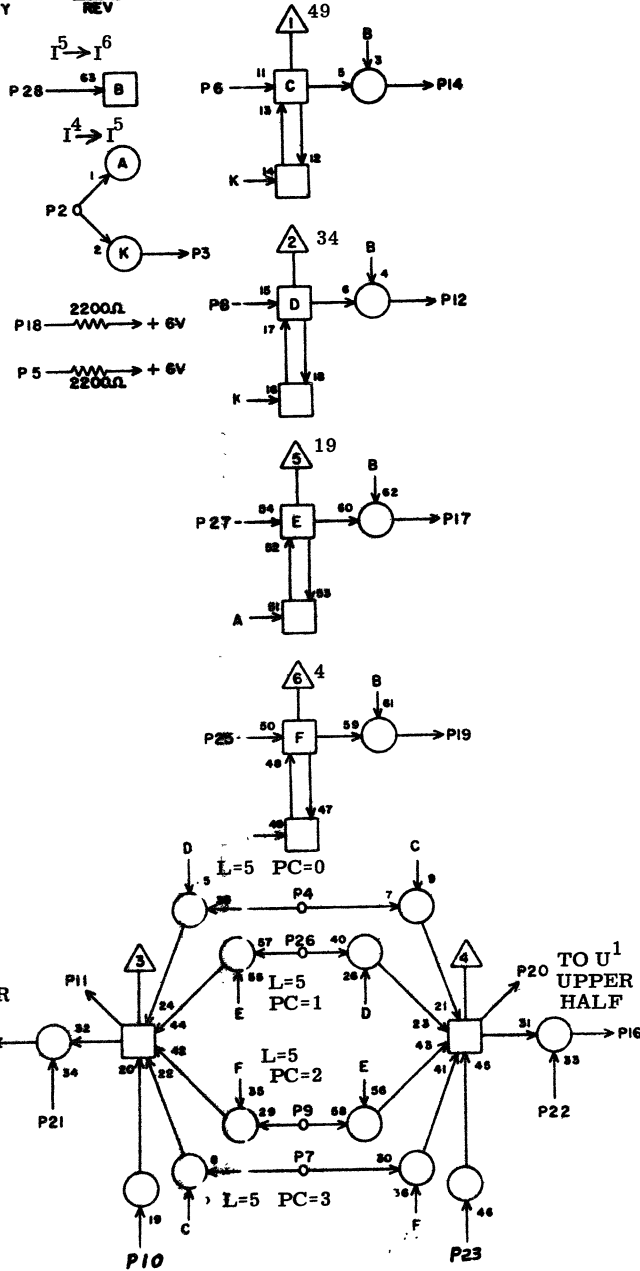


1			
2	E16	24	21
3	A04	28	5
4	C16	8	15
5			
6	A04	14	5
7	C17	7	15
8	A04	12	5
9	C17	8	15
10	B04	18	3
11	D04	10	11
12	C04	8	5
13			
14	C04	6	5
15			
16	D19	28	19
17	C04	27	7
18	B04	10	3
19	C04	25	7
20			
21			
22	GRD	X	2
23	D04	20	11
24			
25	A04	19	7
26	C16	7	15
27	A04	17	7
28	C04	3	5
	JACK	PIN	LG

CIRCUIT SPECIFICATION 11827600
60150800 Rev B

LS 63047200 **B**
ASSY REV

INSTRUCTION STACK
15 IA

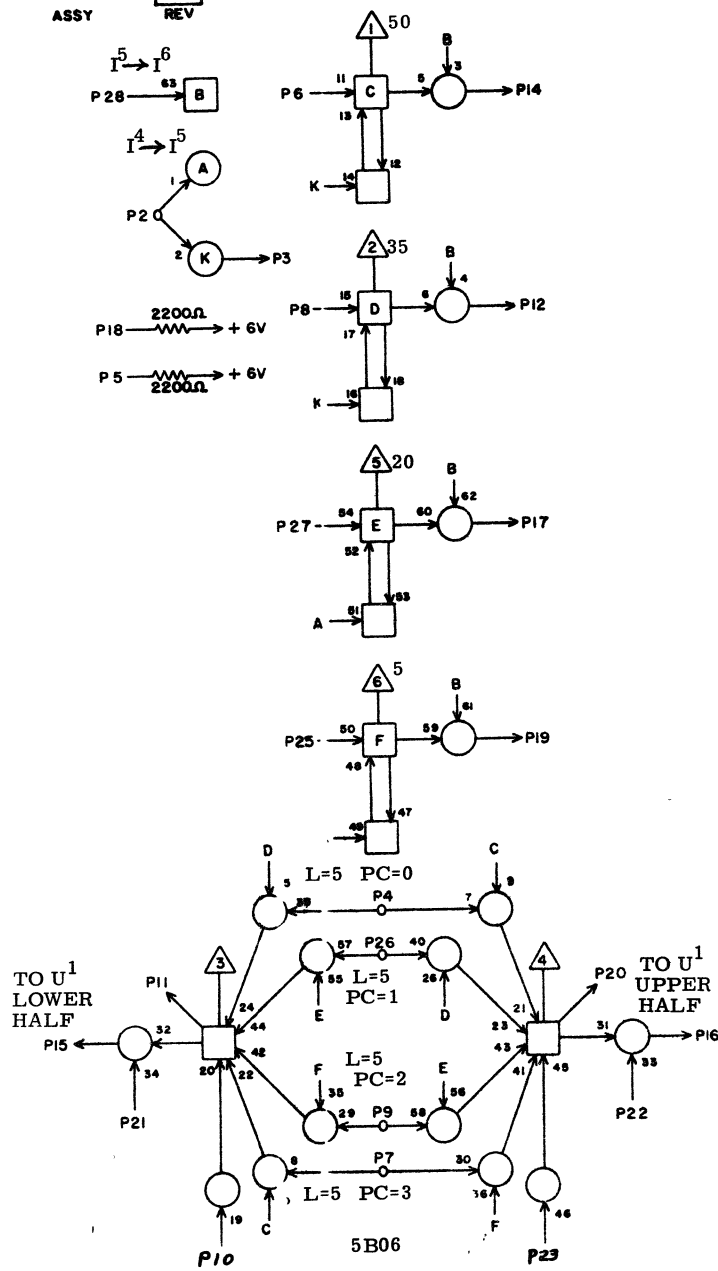


5B05			
1			
2	E16	22	19
3	A05	28	5
4	C16	10	13
5			
6	A05	14	5
7	C17	9	15
8	A05	12	5
9	C17	10	15
10	B05	18	3
11	D05	10	11
12	C05	8	5
13			
14	C05	6	5
15			
16	D20	28	19
17	C05	27	7
18	B05	10	3
19	C05	25	7
20			
21			
22	GRD	X	2
23	D05	20	11
24			
25	A05	19	7
26	C16	9	13
27	A05	17	7
28	C05	3	5

JACK PIN LG
CIRCUIT SPECIFICATION 1N27600
60150800 Rev B

LS 63047200 **B**
ASSY REV

INSTRUCTION STACK
15 IA



5B06			
1			
2	E16	20	19
3	A06	28	5
4	B17	2	13
5			
6	A06	14	5
7	B18	16	15
8	A06	12	5
9	B18	2	15
10	B06	18	3
11	D06	10	11
12	C06	8	5
13			
14	C06	6	7
15			
16	D21	28	19
17	C06	27	7
18	B06	10	3
19	C06	25	7
20			
21			
22	GRD	X	2
23	D06	20	11
24			
25	A06	19	7
26	B17	16	15
27	A06	17	7
28	C06	3	5

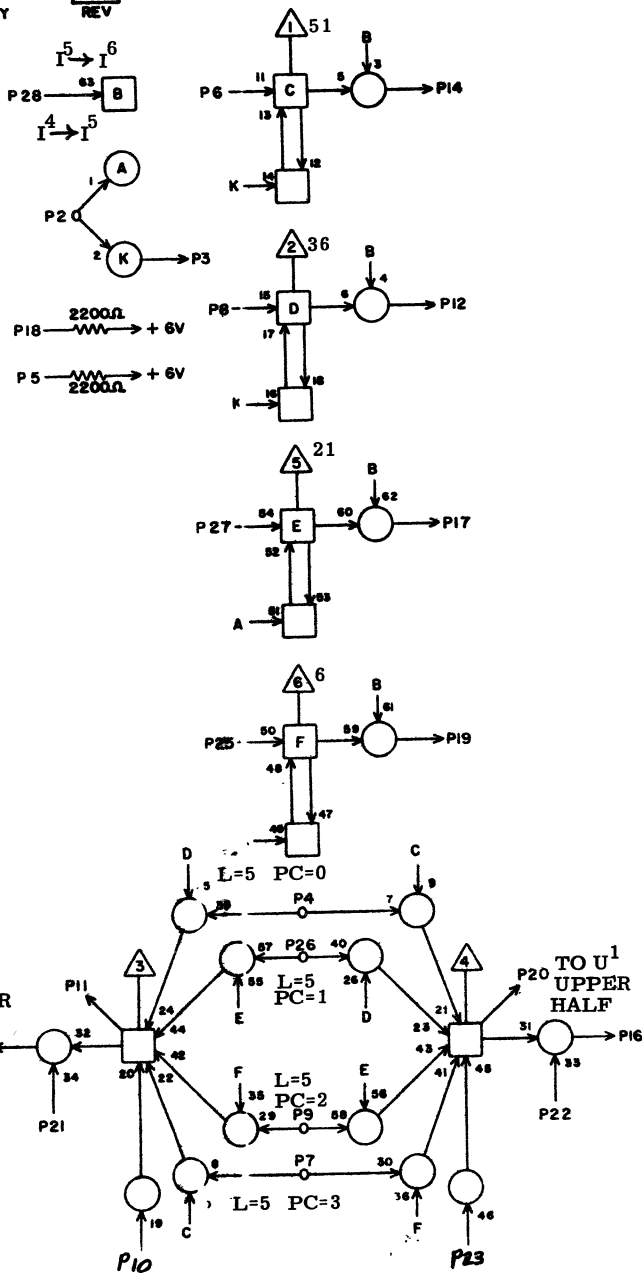
JACK PIN LG
CIRCUIT SPECIFICATION 1N27600
60150800 Rev B

LS 63047200
ASSY

REV

INSTRUCTION STACK
15

IA



5B07

1			
2	E16	18	19
3	A07	28	5
4	B17	4	13
5			
6	A07	14	5
7	B18	18	13
8	A07	12	5
9	B18	4	13
10	B07	18	3
11	D07	10	11
12	C07	8	5
13			
14	C07	6	5
15			
16	D22	28	19
17	C07	27	7
18	B07	10	3
19	C07	25	7
20			
21			
22	GRD	X	2
23	D07	20	11
24			
25	A07	19	9
26	B17	18	13
27	A07	17	9
28	C07	3	5

JACK PIN LG
CIRCUIT SPECIFICATION 1N27600

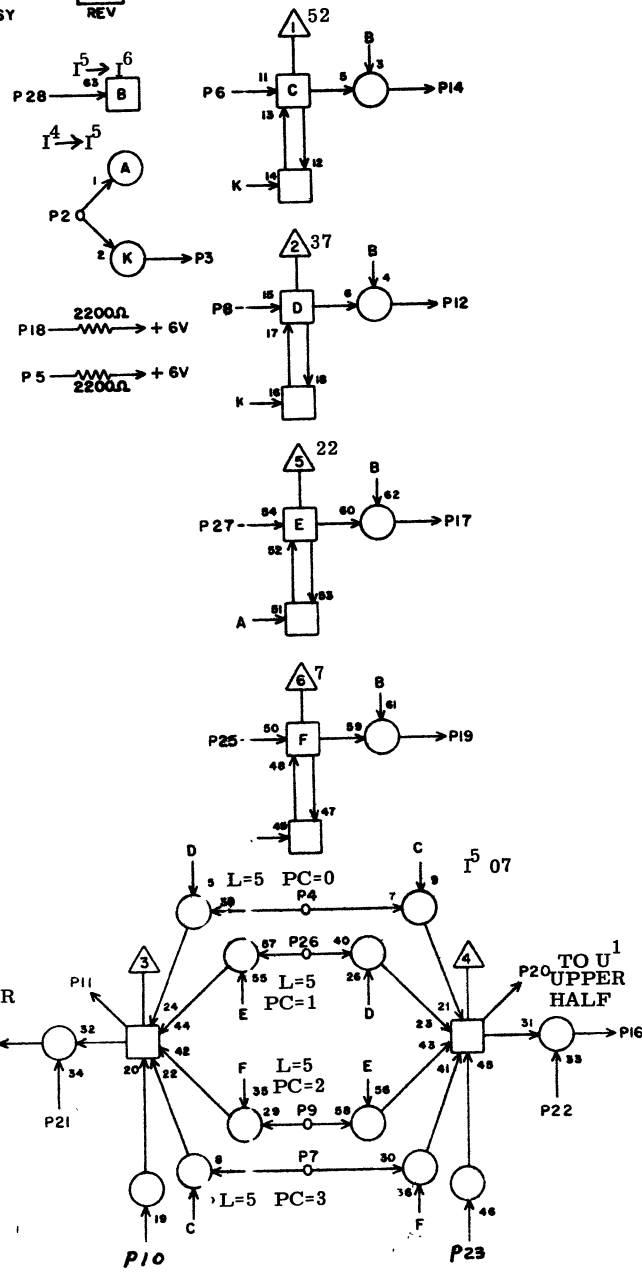
60150800 Rev B

LS 63047200
ASSY

REV

INSTRUCTION STACK
15

IA



5B08

1			
2	E16	28	17
3	A08	28	5
4	B17	6	11
5			
6	A08	14	5
7	B18	20	13
8	A08	12	5
9	B18	6	13
10	B08	18	3
11	D08	10	11
12	C08	8	5
13			
14	C08	6	5
15			
16	D23	28	19
17	C08	27	7
18	B08	10	3
19	C08	25	7
20			
21			
22	GRD	X	2
23	D08	20	11
24			
25	A08	19	7
26	B17	20	11
27	A08	17	7
28	C08	3	5

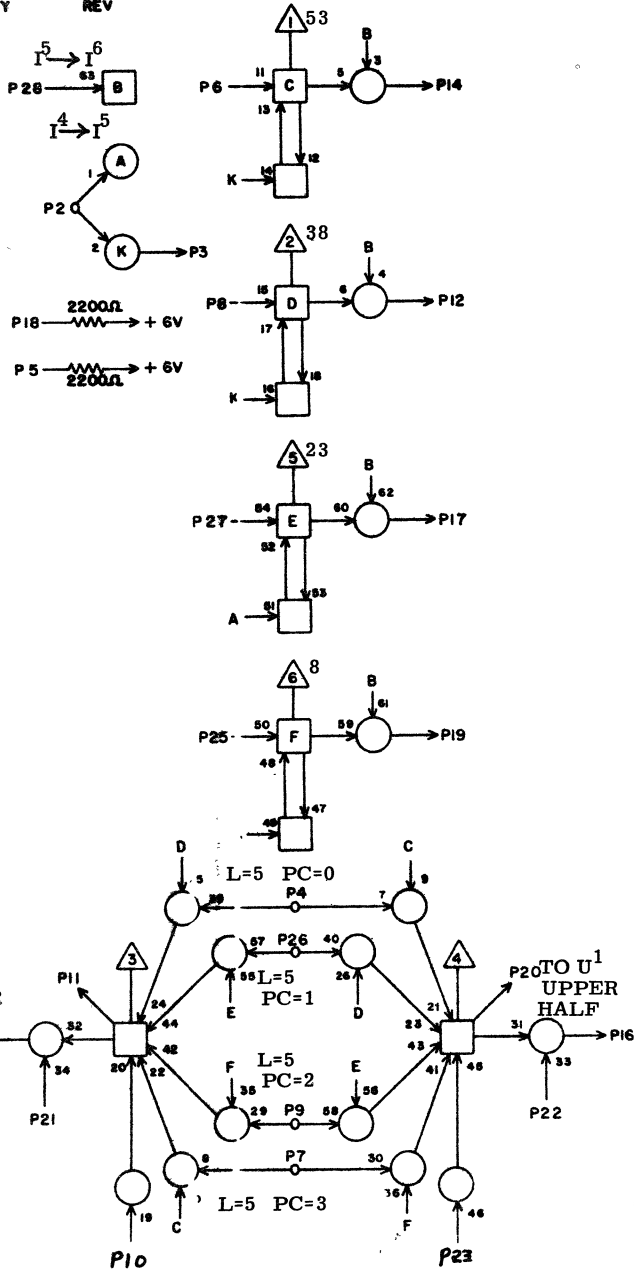
JACK PIN LG
CIRCUIT SPECIFICATION 1N27600

60150800 Rev B

LS 63047200
ASSY

INSTRUCTION STACK
15 IA

5B09



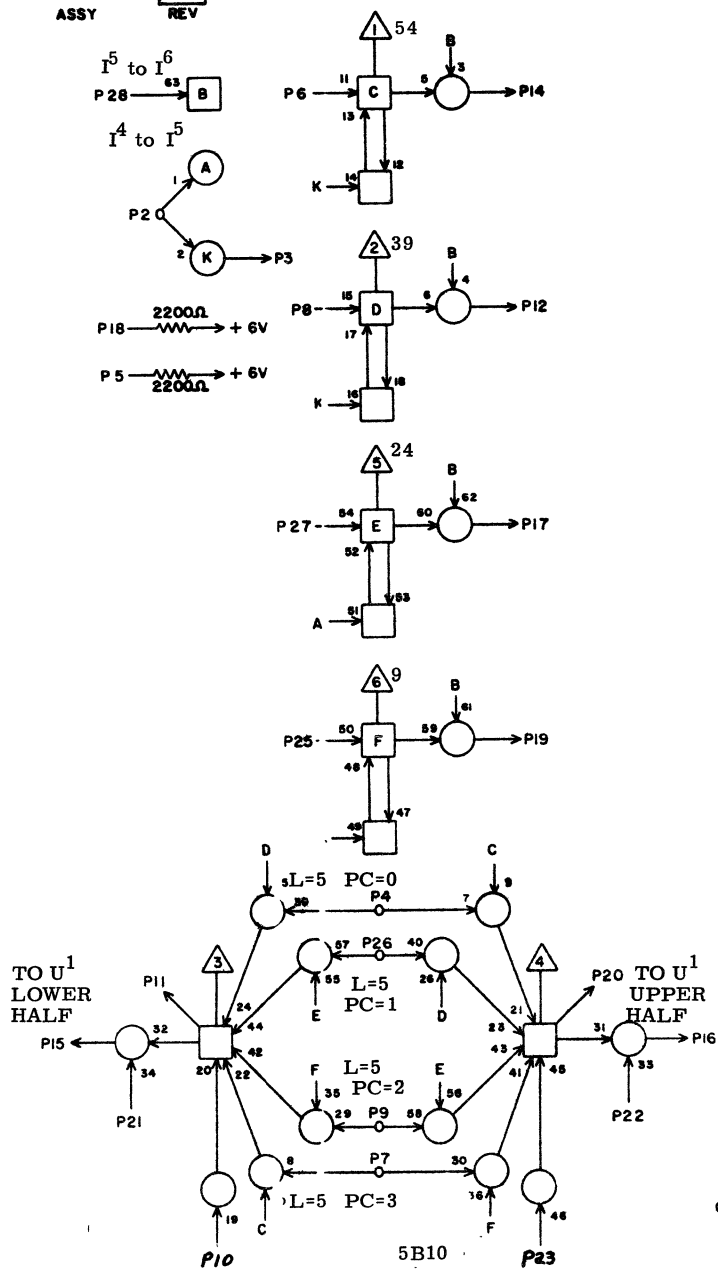
1			
2	E16	21	17
3	A09	28	5
4	B17	9	11
5			
6	A09	14	5
7	B18	22	11
8	A09	12	5
9	B18	9	11
10	B09	18	3
11	D09	10	11
12	C09	8	5
13			
14	C09	6	7
15			
16	D24	28	19
17	C09	27	7
18	B09	10	3
19	C09	25	7
20			
21			
22	GRD	X	2
23	D09	20	11
24			
25	A09	19	7
26	B17	22	11
27	A09	17	7
28	C09	3	5

JACK PIN LG
CIRCUIT SPECIFICATION 11827600
60150800 Rev B

LS 63047200
ASSY

INSTRUCTION STACK
15 IA

5B10



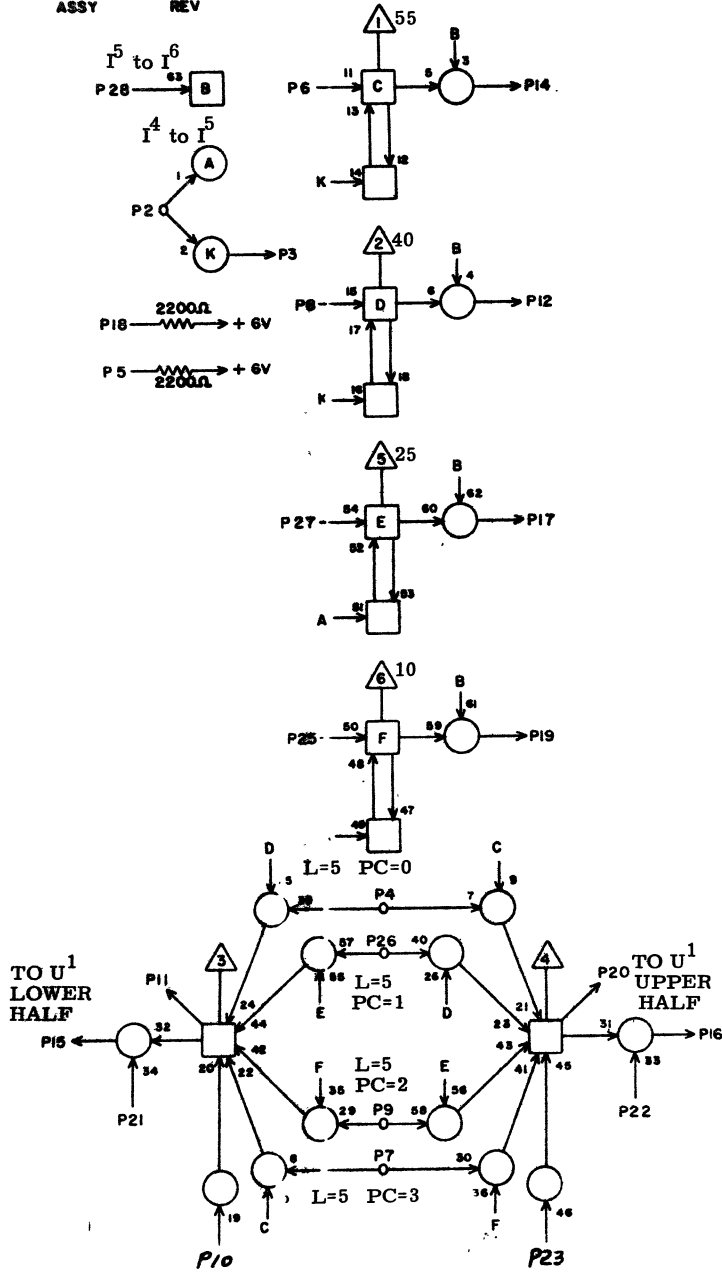
1			
2	E16	19	17
3	A10	28	5
4	B17	11	11
5			
6	A10	14	5
7	B18	17	11
8	A10	12	5
9	B18	11	11
10	B10	18	3
11	D10	10	11
12	C10	8	5
13			
14	C10	6	5
15			
16	D25	28	19
17	C10	27	7
18	B10	10	3
19	C10	25	7
20			
21			
22	GRD	X	2
23	D10	20	11
24			
25	A10	19	7
26	B17	17	11
27	A10	17	7
28	C10	3	5

JACK PIN LG
CIRCUIT SPECIFICATION 11827600
60150800 Rev B

LS 63047200
ASSY REV **6**

INSTRUCTION STACK
15 1A

5B11



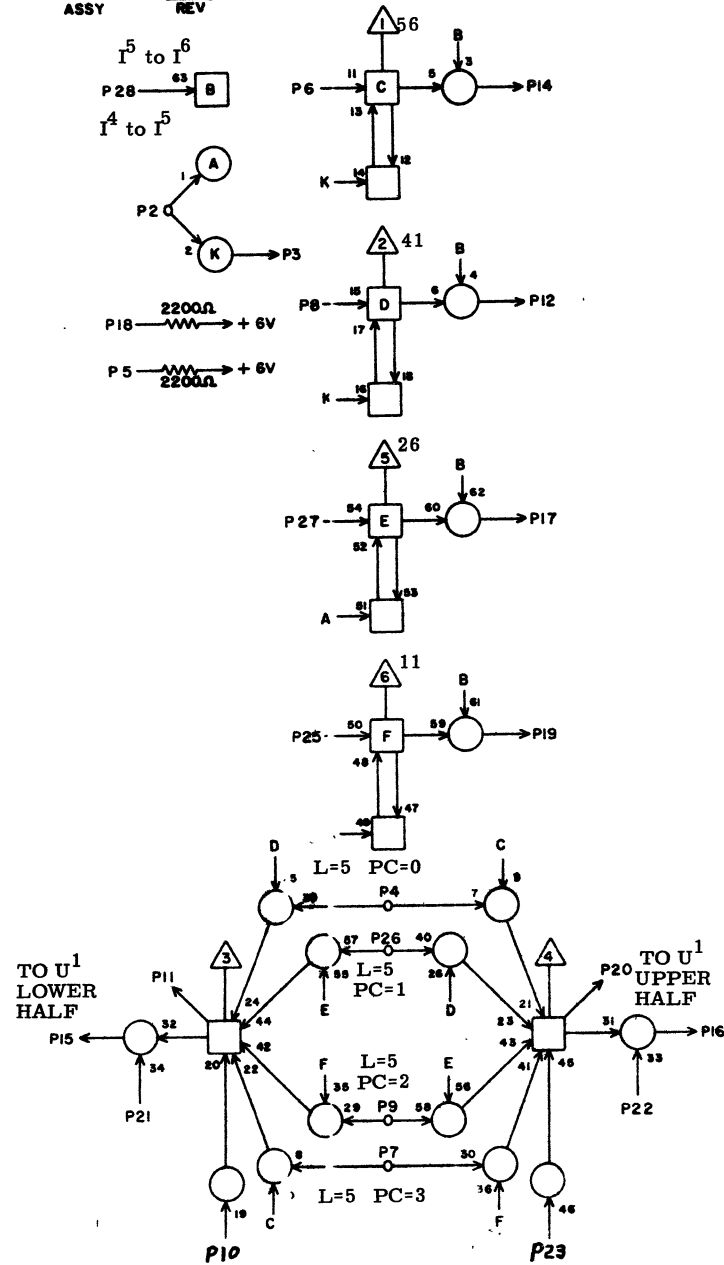
1			
2	E16	17	17
3	A11	28	5
4	B17	13	9
5			
6	A11	14	7
7	B18	19	11
8	A11	12	5
9	B18	13	11
10	B11	18	3
11	D11	10	11
12	C11	8	5
13			
14	C11	6	5
15			
16	E18	28	17
17	C11	27	7
18	B11	10	3
19	C11	25	7
20			
21			
22	GRD	X	2
23	D11	20	11
24			
25	A11	19	7
26	B17	19	11
27	A11	17	7
28	C11	3	5

JACK PIN LG
CIRCUIT SPECIFICATION 11827600
60150800 Rev B

LS 63047200
ASSY REV **6**

INSTRUCTION STACK
15 1A

5B12



1			
2	E16	27	17
3	A12	28	5
4	B17	8	9
5			
6	A12	14	5
7	B18	21	9
8	A12	12	5
9	B18	8	7
10	B12	18	3
11	D12	10	11
12	C12	8	7
13			
14	C12	6	5
15			
16	E19	28	17
17	C12	27	7
18	B12	10	3
19	C12	25	7
20			
21			
22	GRD	X	2
23	D12	20	11
24			
25	A12	19	7
26	B17	21	9
27	A12	17	7
28	C12	3	5

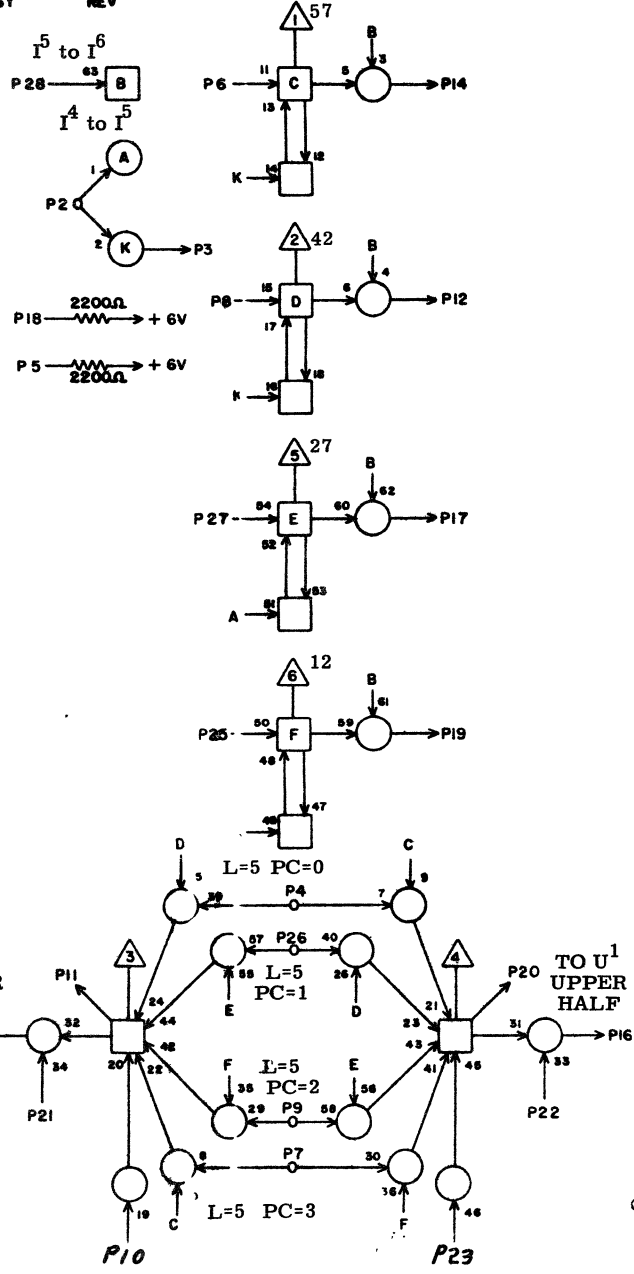
JACK PIN LG
CIRCUIT SPECIFICATION 11827600
60150800 Rev B

LS 63047200
ASSY

REV

INSTRUCTION STACK
15
IA

5B13



1			
2	E15	5	15
3	A13	28	5
4	B17	10	7
5			
6	A13	14	5
7	B18	24	7
8	A13	12	5
9	B18	10	7
10	B13	18	3
11	D13	10	11
12	C13	8	5
13			
14	C13	6	5
15			
16	E20	28	17
17	C13	27	7
18	B13	10	3
19	C13	25	7
20			
21			
22	GRD	X	2
23	D13	20	11
24			
25	A13	19	7
26	B17	24	7
27	A13	17	7
28	C13	3	5

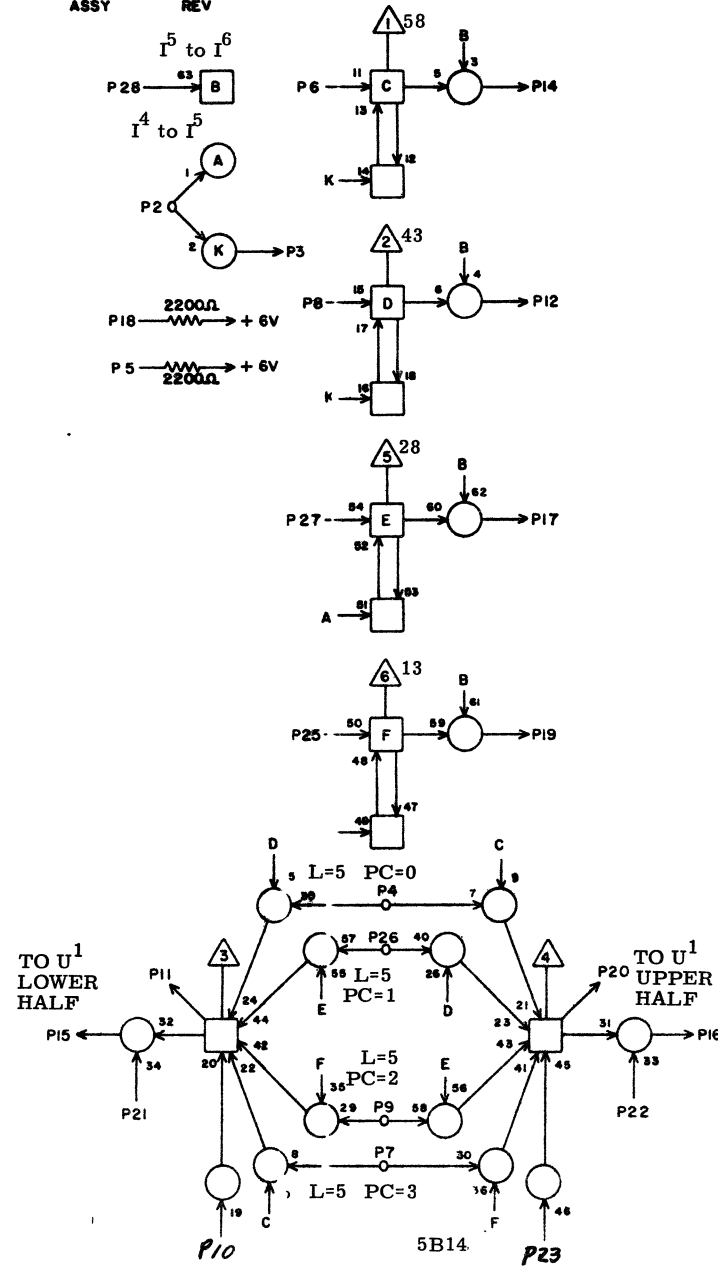
JACK PIN LG
CIRCUIT SPECIFICATION 11827600
60150800 Rev B

LS 63047200
ASSY

REV

INSTRUCTION STACK
15
IA

5B14



1			
2	E15	7	15
3	A14	28	5
4	B17	12	5
5			
6	A14	14	5
7	B18	26	7
8	A14	12	5
9	B18	12	5
10	B14	18	3
11	D14	10	11
12	C14	8	5
13			
14	C14	6	5
15			
16	E21	28	17
17	C14	27	7
18	B14	10	3
19	C14	25	7
20			
21			
22	GRD	X	2
23	D14	20	11
24			
25	A14	19	7
26	B17	26	5
27	A14	17	7
28	C14	3	5

JACK PIN LG
CIRCUIT SPECIFICATION 11827600
60150800 Rev B

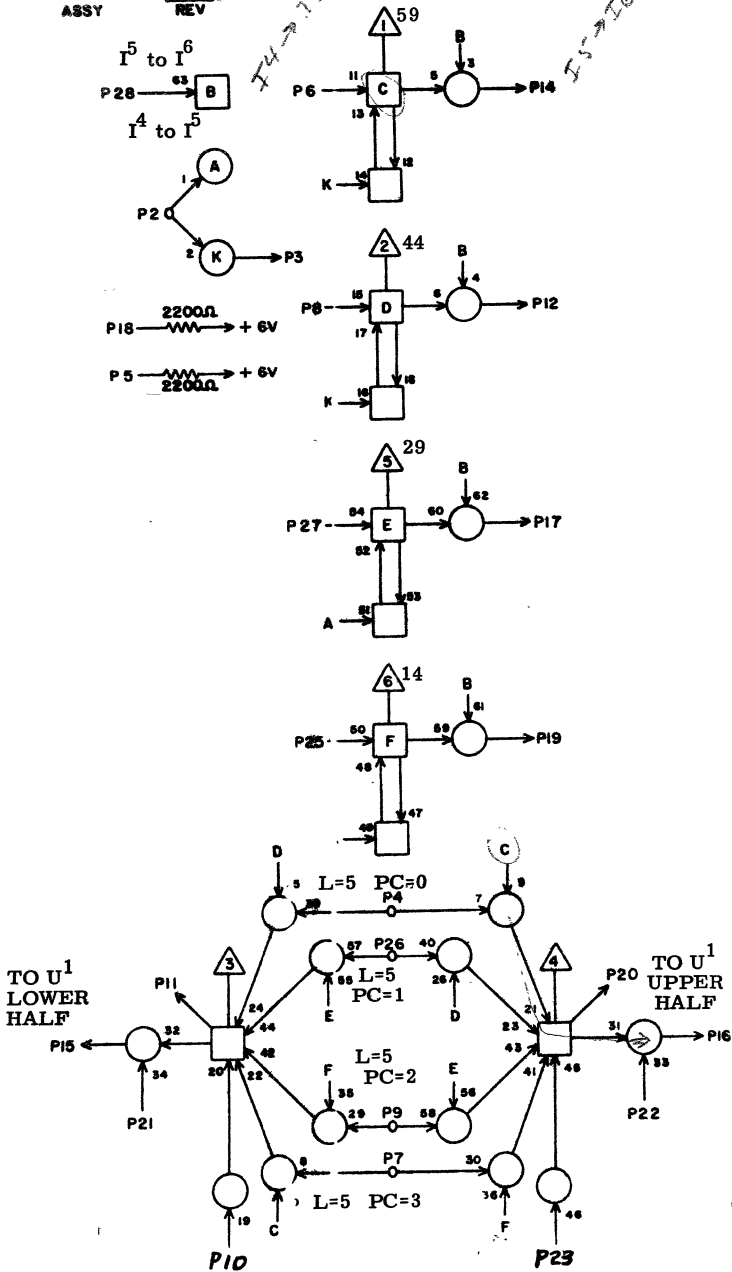
LS 63047200
ASSY

G
REV

INSTRUCTION STACK
15

1A

5B15



1			
2	E15	9	15
3	A15	28	5
4	B17	14	5
5			
6	A15	14	5
7	B18	28	5
8	A15	12	5
9	B18	14	5
10	B15	18	3
11	D15	10	11
12	C15	8	5
13			
14	C15	6	5
15			
16	E22	28	17
17	C15	27	7
18	B15	10	3
19	C15	25	7
20			
21			
22	GRD	X	2
23	D15	20	11
24			
25	A15	19	7
26	B17	28	5
27	A15	17	7
28	C15	3	5

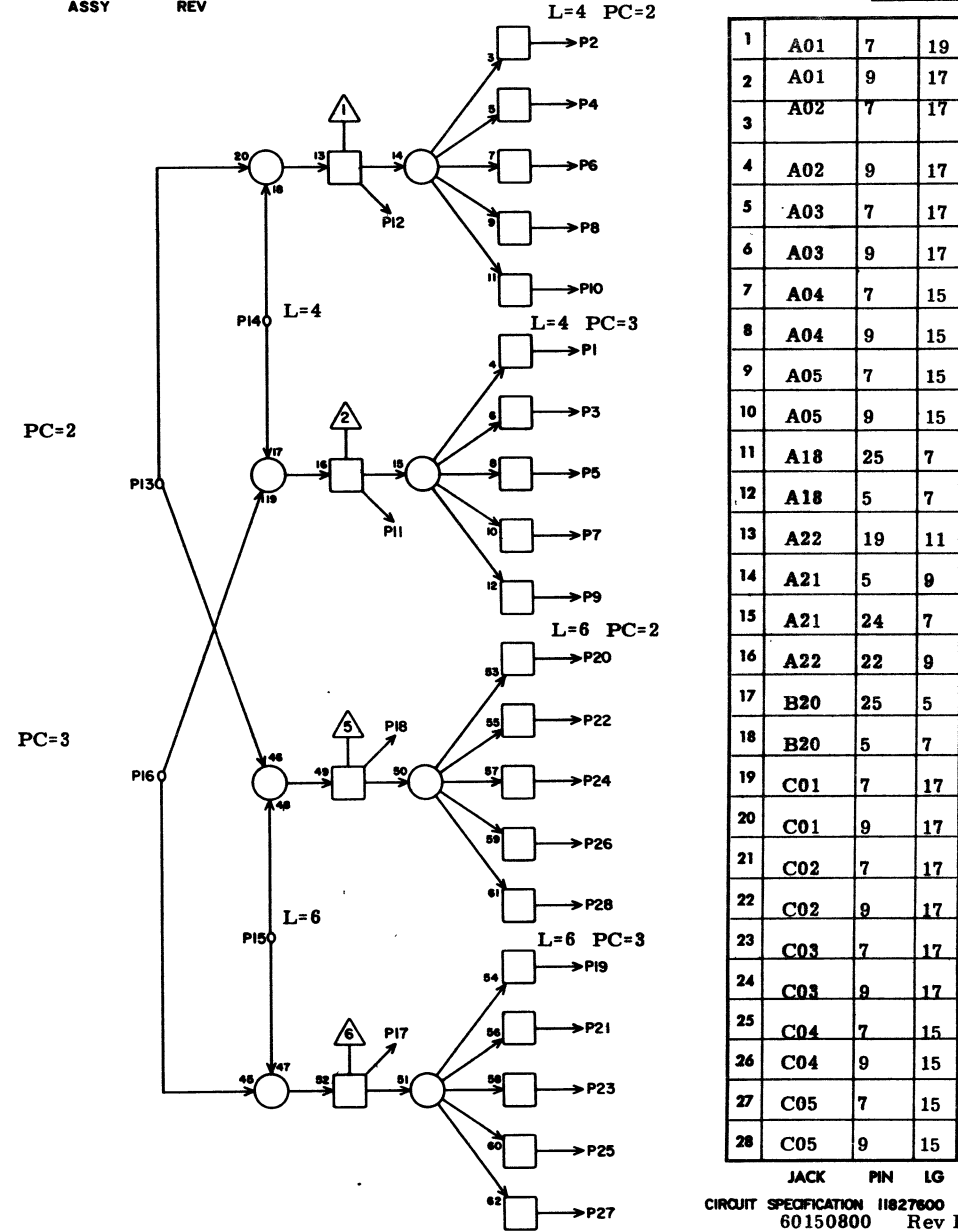
JACK PIN LG
CIRCUIT SPECIFICATION 11827600
60150800 Rev B

LS 63044700
ASSY

C
REV

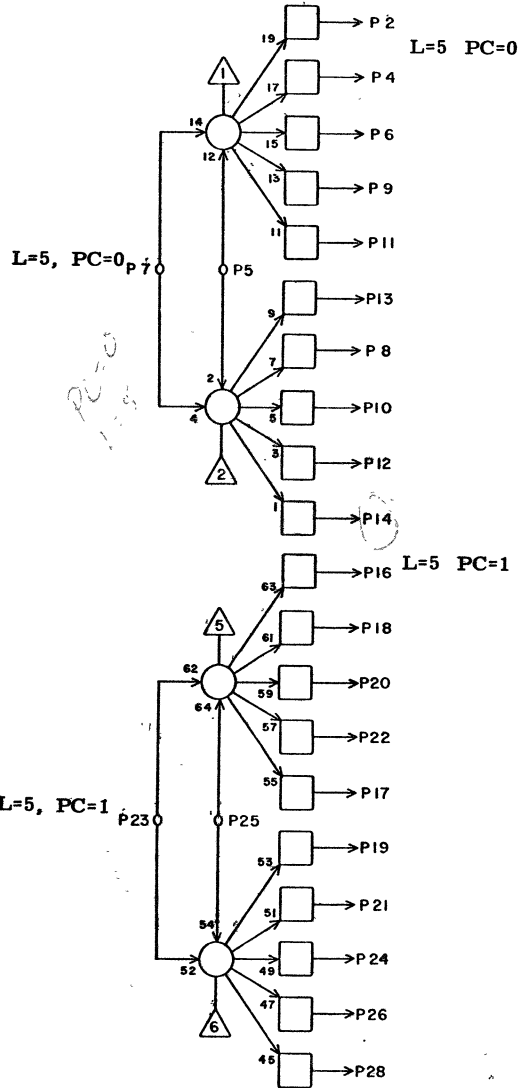
HB

5B16



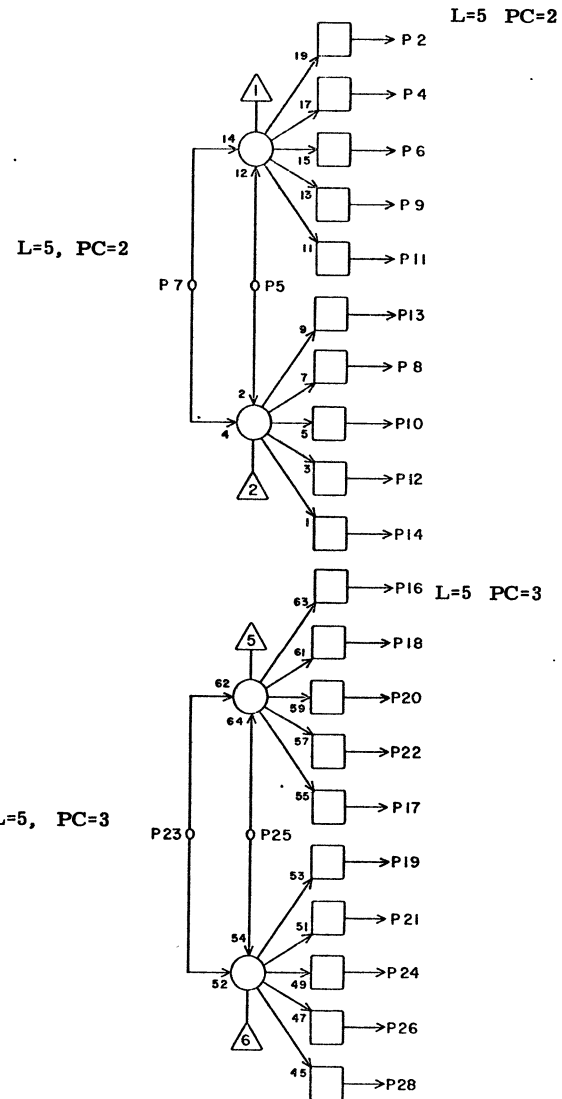
1	A01	7	19
2	A01	9	17
3	A02	7	17
4	A02	9	17
5	A03	7	17
6	A03	9	17
7	A04	7	15
8	A04	9	15
9	A05	7	15
10	A05	9	15
11	A18	25	7
12	A18	5	7
13	A22	19	11
14	A21	5	9
15	A21	24	7
16	A22	22	9
17	B20	25	5
18	B20	5	7
19	C01	7	17
20	C01	9	17
21	C02	7	17
22	C02	9	17
23	C03	7	17
24	C03	9	17
25	C04	7	15
26	C04	9	15
27	C05	7	15
28	C05	9	15

JACK PIN LG
CIRCUIT SPECIFICATION 11827600
60150800 Rev 1



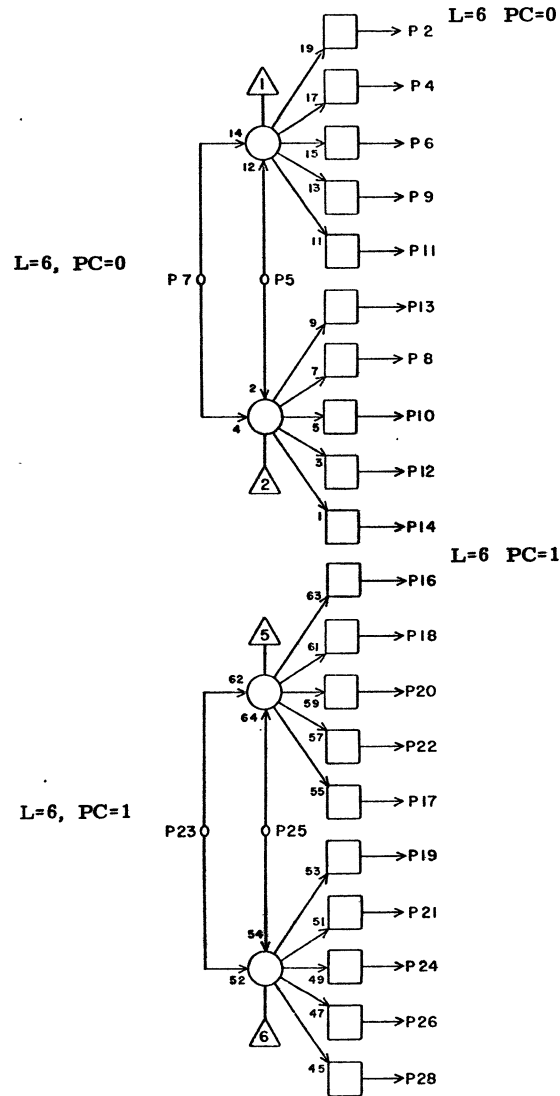
1			
2	B06	4	13
3			
4	B07	4	13
5	C16	12	7
6	B08	4	11
7	GRD	X	2
8	B12	4	9
9	B09	4	11
10	B13	4	7
11	B10	4	11
12	B14	4	5
13	B11	4	9
14	B15	4	5
15			
16	B06	26	15
17	B10	26	11
18	B07	26	13
19	B11	26	11
20	B08	26	11
21	B12	26	9
22	B09	26	11
23	GRD	X	2
24	B13	26	7
25	C16	11	5
26	B14	26	5
27			
28	B15	26	5

JACK PIN LG
CIRCUIT SPECIFICATION 11827600



1			
2	B06	9	15
3			
4	B07	9	13
5	C17	12	7
6	B08	9	13
7	GRD	X	2
8	B12	9	7
9	B09	9	11
10	B13	9	7
11	B10	9	11
12	B14	9	5
13	B11	9	11
14	B15	9	5
15			
16	B06	7	15
17	B10	7	11
18	B07	7	13
19	B11	7	11
20	B08	7	13
21	B12	7	9
22	B09	7	11
23	GRD	X	2
24	B13	7	7
25	C17	11	5
26	B14	7	7
27			
28	B15	7	5

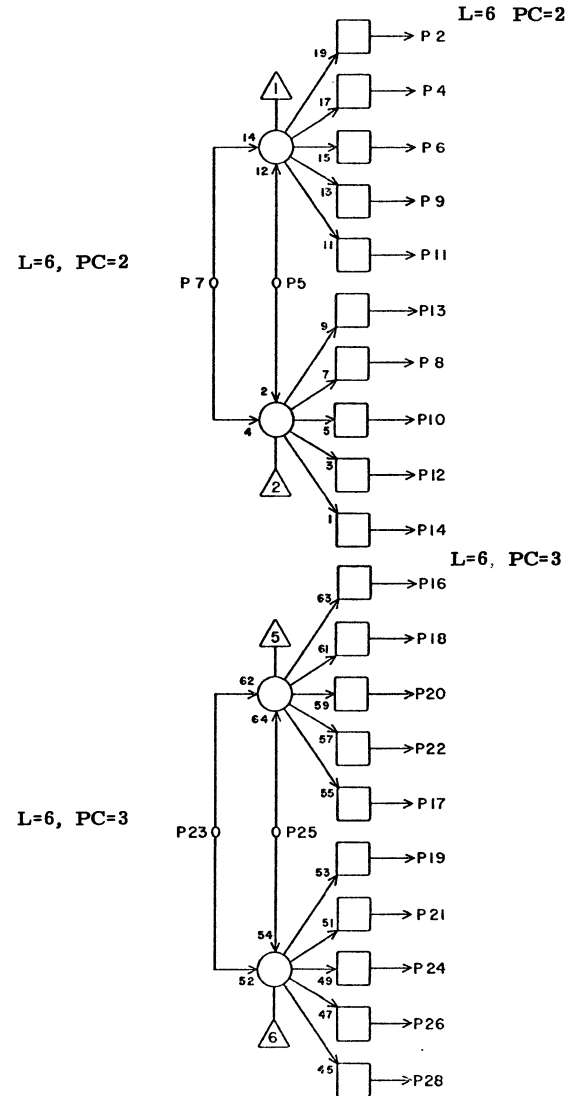
JACK PIN LG
CIRCUIT SPECIFICATION 11827600



1			
2	C06	4	17
3			
4	C07	4	15
5	A16	18	7
6	C08	4	15
7	GRD	X	2
8	C12	4	9
9	C09	4	13
10	C13	4	11
11	C10	4	13
12	C14	4	9
13	C11	4	13
14	C15	4	9
15			
16	C06	26	17
17	C10	26	13
18	C07	26	15
19	C11	26	13
20	C08	26	13
21	C12	26	13
22	C09	26	13
23	GRD	X	2
24	C13	26	11
25	A16	17	7
26	C14	26	9
27			
28	C15	26	9

JACK PIN LG

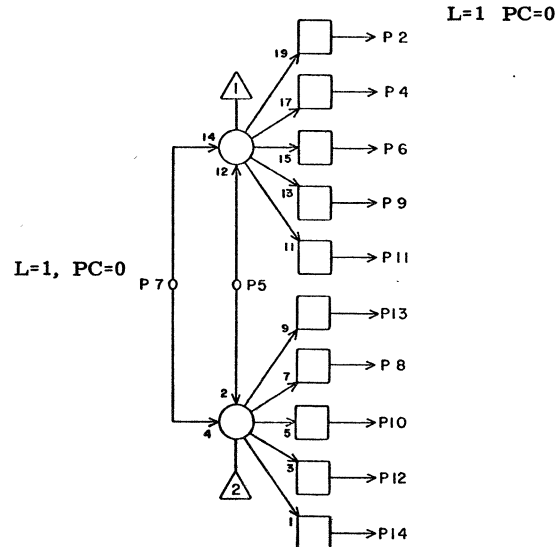
CIRCUIT SPECIFICATION 11627600



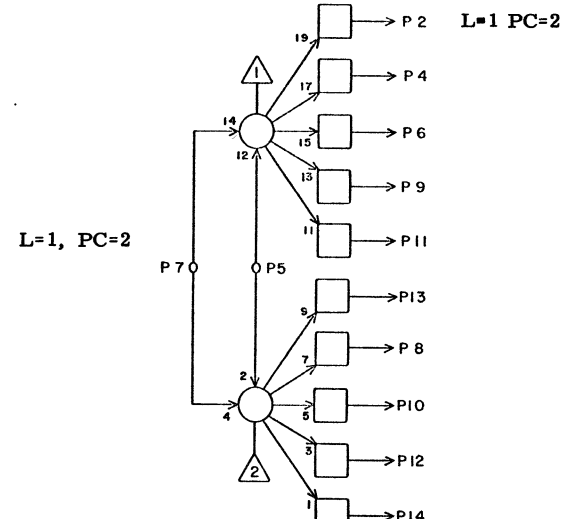
1			
2	C06	9	17
3			
4	C07	9	17
5	B16	18	5
6	C08	9	15
7	B20	X	2
8	C12	9	13
9	C09	9	15
10	C13	9	11
11	C10	9	15
12	C14	9	11
13	C11	9	13
14	C15	9	9
15			
16	C06	7	17
17	C10	7	15
18	C07	7	17
19	C11	7	13
20	C08	7	15
21	C12	7	13
22	C09	7	15
23	GRD	X	2
24	C13	7	11
25	B16	17	5
26	C14	7	11
27			
28	C15	7	9

JACK PIN LG

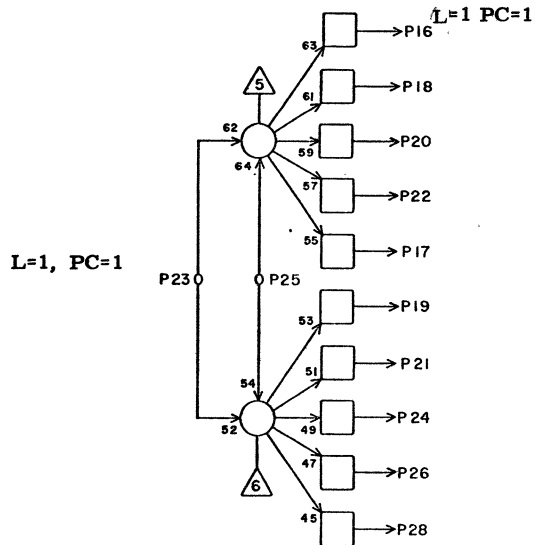
CIRCUIT SPECIFICATION 11627600



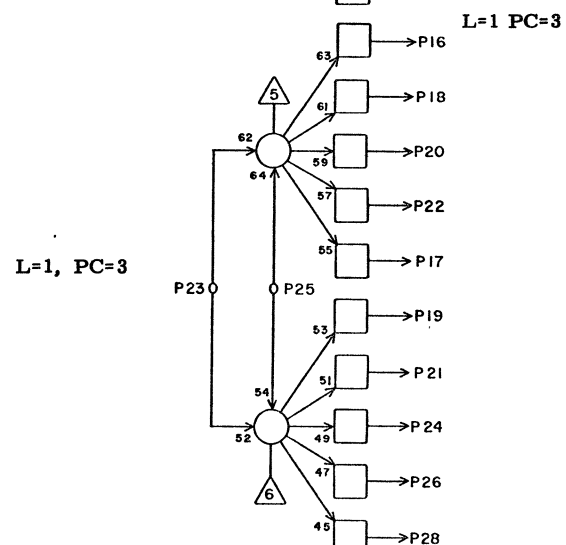
L=1 PC=0



L=1 PC=2



L=1 PC=1



L=1 PC=3

1			
2	B31	4	13
3			
4	B32	4	13
5	C24	12	7
6	B33	4	15
7	GRD	X	2
8	B37	4	17
9	B34	4	15
10	B38	4	19
11	B35	4	15
12	B39	4	19
13	B36	4	17
14	B40	4	21
15			
16	B31	26	13
17	B35	26	15
18	B32	26	13
19	B36	26	17
20	B33	26	15
21	B37	26	17
22	B34	26	15
23	GRD	X	2
24	B38	26	19
25	C24	11	7
26	B39	26	19
27			
28	B40	26	21

JACK PIN LG

CIRCUIT SPECIFICATION 11827600

60150800 Rev B

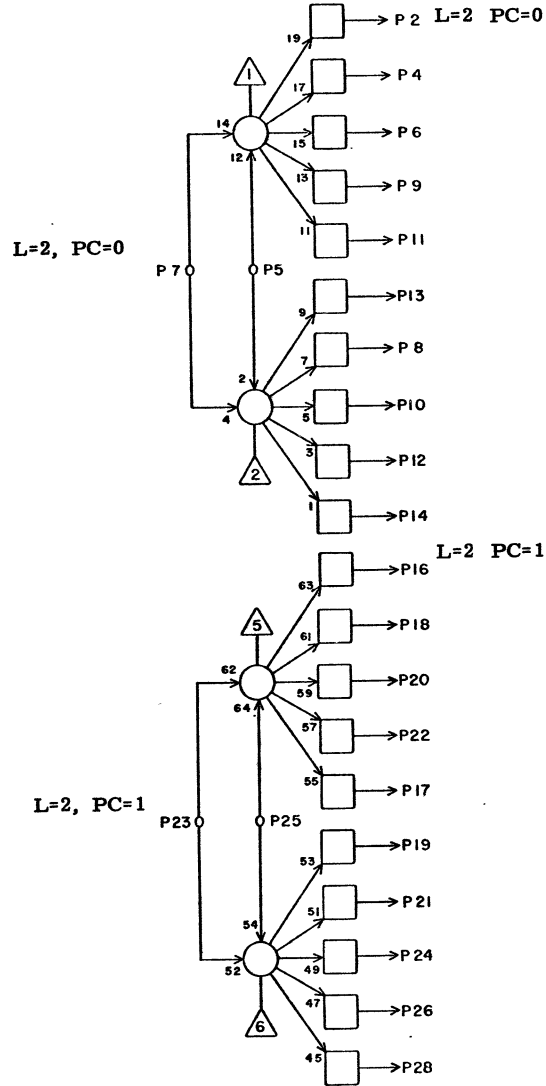
1			
2	B31	9	13
3			
4	B32	9	13
5	C25	12	7
6	B33	9	13
7	GRD	X	2
8	B37	9	17
9	B34	9	15
10	B38	9	17
11	B35	9	15
12	B39	9	19
13	B36	9	15
14	B40	9	19
15			
16	B31	7	13
17	B35	7	15
18	B32	7	13
19	B36	7	15
20	B33	7	13
21	B37	7	17
22	B34	7	15
23	GRD	X	2
24	B38	7	17
25	C25	11	7
26	B39	7	19
27			
28	B40	7	19

JACK PIN LG

CIRCUIT SPECIFICATION 11827600

60150800 Rev B

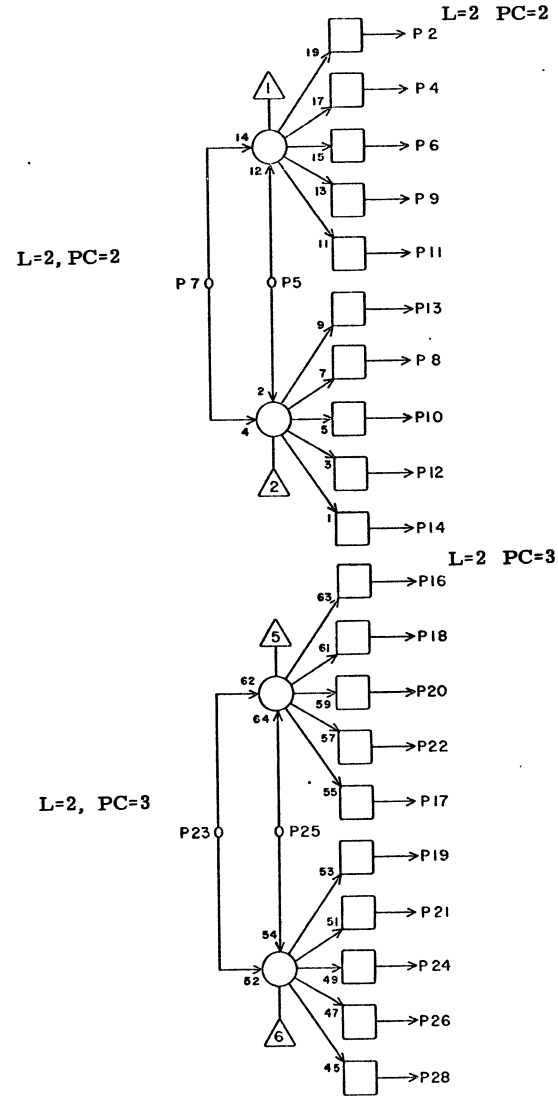
5B22



JACK	PIN	LG
1		
2	C31	4 11
3		
4	C32	4 13
5	A25	18 5
6	C33	4 13
7	GRD	X 2
8	C37	4 17
9	C34	4 13
10	C38	4 17
11	C35	4 15
12	C39	4 17
13	C36	4 15
14	C40	4 19
15		
16	C31	26 13
17	C35	26 15
18	C32	26 13
19	C36	26 15
20	C33	26 13
21	C37	26 17
22	C34	26 15
23	GRD	X 2
24	C38	26 17
25	A25	17 7
26	C39	26 19
27		
28	C40	26 19

CIRCUIT SPECIFICATION 11827600

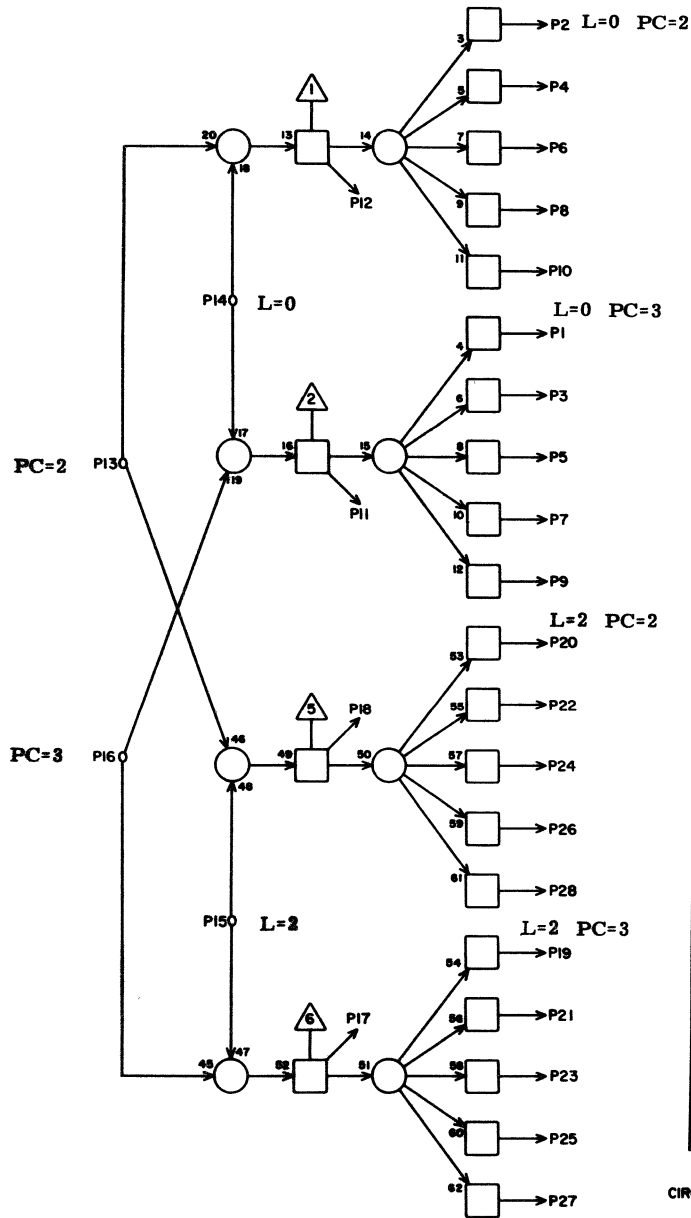
60150800 Rev B



JACK	PIN	LG
1		
2	C31	9 13
3		
4	C32	9 13
5	B25	18 3
6	C33	9 13
7	GRD	X 2
8	C37	9 15
9	C34	9 13
10	C38	9 15
11	C35	9 13
12	C39	9 17
13	C36	9 15
14	C40	9 19
15		
16	C31	7 13
17	C35	7 13
18	C32	7 13
19	C36	7 15
20	C33	7 13
21	C37	7 15
22	C34	7 13
23	GRD	X 2
24	C38	7 15
25	B25	17 3
26	C39	7 17
27		
28	C40	7 19

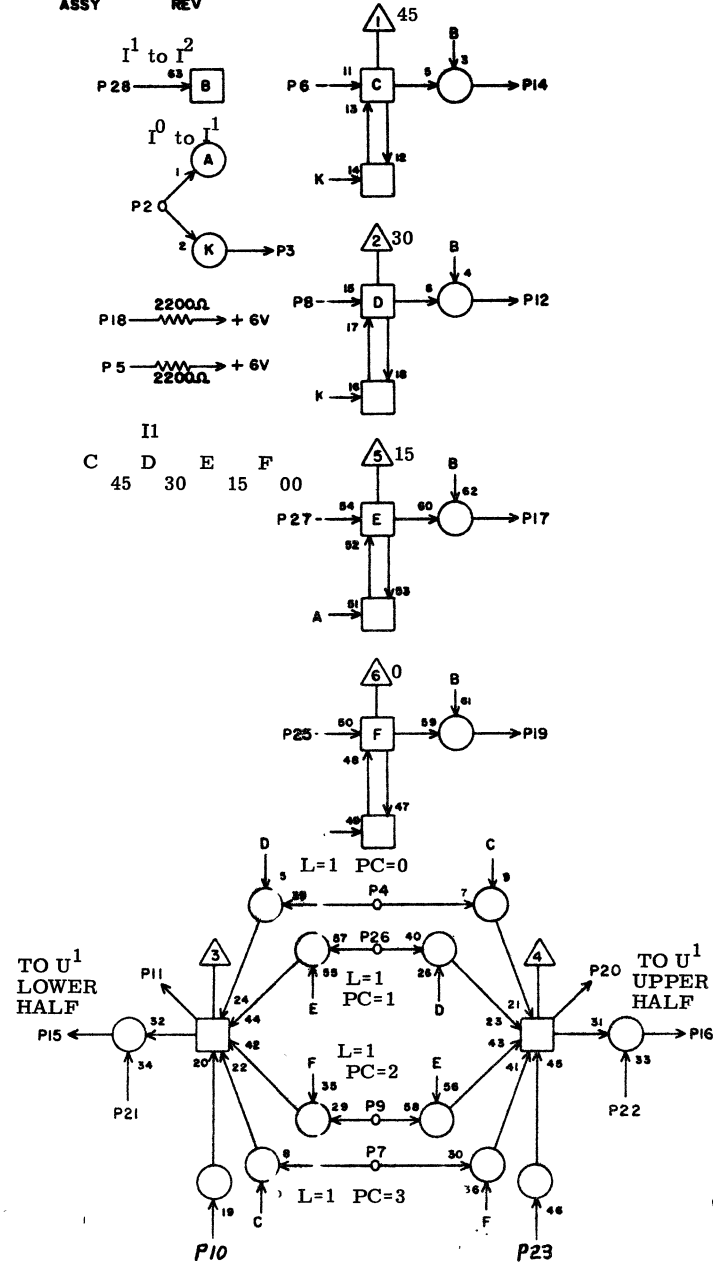
CIRCUIT SPECIFICATION 11827600

60150800 Rev B



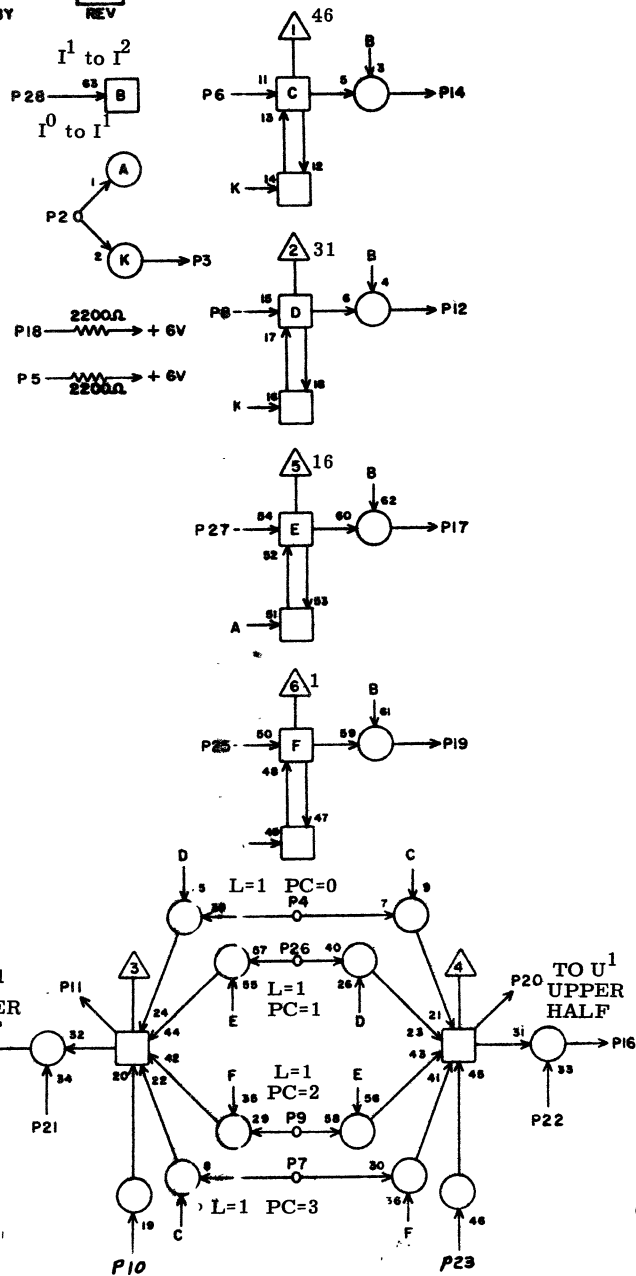
1	A26	7	7
2	A26	9	7
3	A27	7	7
4	A27	9	5
5	A28	7	7
6	A28	9	7
7	A29	7	7
8	A29	9	7
9	A30	7	9
10	A30	9	9
11	A24	25	5
12	A24	5	7
13	A22	20	7
14	A21	7	11
15	A21	10	9
16	A22	24	7
17	B24	25	3
18	B24	5	3
19	C26	7	5
20	C26	9	5
21	C27	7	5
22	C27	9	7
23	C28	7	7
24	C28	9	7
25	C29	7	7
26	C29	9	7
27	C30	7	7
28	C30	9	7

JACK PIN LG
CIRCUIT SPECIFICATION 11827600



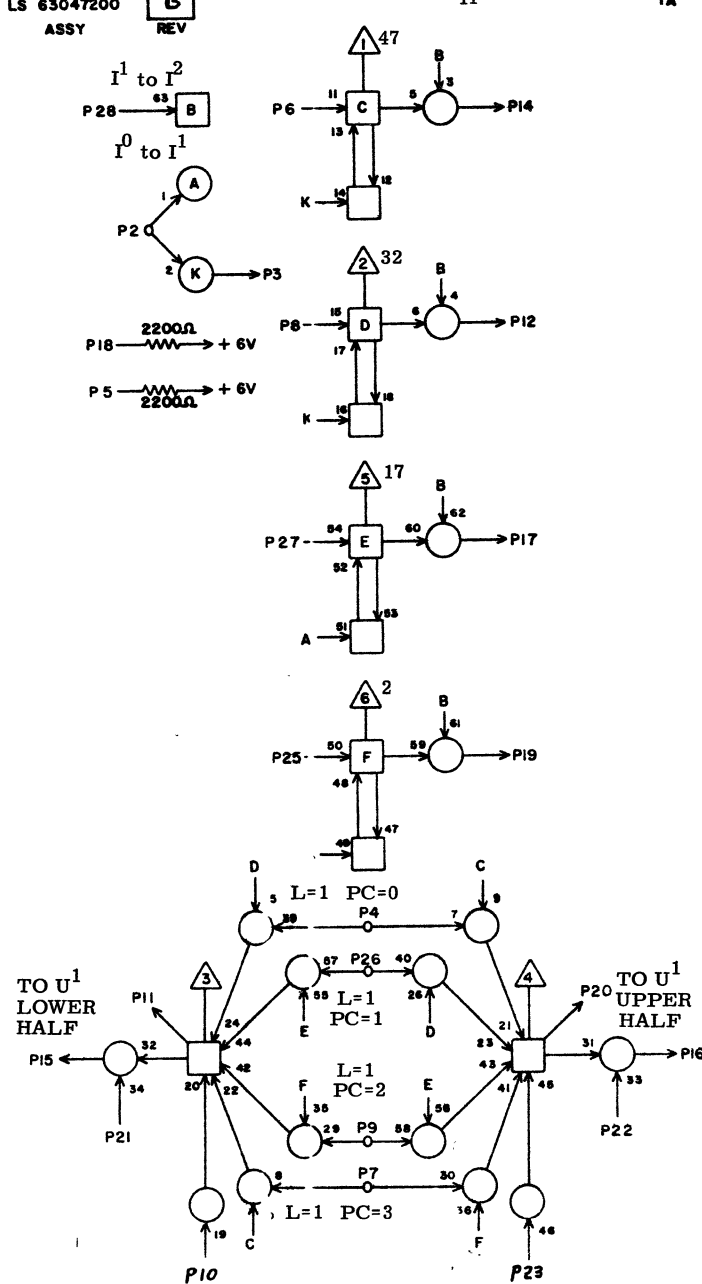
1			
2	E23	25	17
3	A26	28	5
4	C24	2	7
5	M31	6	47
6	A26	14	5
7	C25	1	7
8	A26	12	5
9	C25	2	7
10	B26	18	3
11	D26	10	11
12	C26	8	7
13			
14	C26	6	7
15			
16	D16	26	19
17	C26	27	7
18	B26	10	3
19	C26	25	7
20			
21			
22	GRD	X	2
23	D26	20	11
24			
25	A26	19	7
26	C24	1	5
27	A26	17	7
28	C26	3	5

JACK PIN LG
CIRCUIT SPECIFICATION 11827600



5B27			
JACK	PIN	LG	
1			
2	E23	23	17
3	A27	28	5
4	C24	4	7
5	M31	24	49
6	A27	14	5
7	C25	3	7
8	A27	12	5
9	C25	4	7
10	B27	18	3
11	D27	10	11
12	C27	8	5
13			
14	C27	6	5
15			
16	D17	26	17
17	C27	27	7
18	B27	10	5
19	C27	25	7
20			
21			
22	GRD	X	2
23	D27	20	11
24			
25	A27	19	7
26	C24	3	7
27	A27	17	7
28	C27	3	5

CIRCUIT SPECIFICATION 1B27600
60150800 Rev B



5B28			
JACK	PIN	LG	
1			
2	E23	26	17
3	A28	28	5
4	C24	6	9
5			
6	A28	14	5
7	C25	5	21
8	A28	12	5
9	C25	6	9
10	B28	18	3
11	D28	10	11
12	C28	8	5
13			
14	C28	6	5
15			
16	D18	26	15
17	C28	27	7
18	B28	10	3
19	C28	25	7
20			
21			
22	GRD	X	2
23	D28	20	11
24			
25	A28	19	7
26	C24	5	7
27	A28	17	7
28	C28	3	5

CIRCUIT SPECIFICATION 1B27600

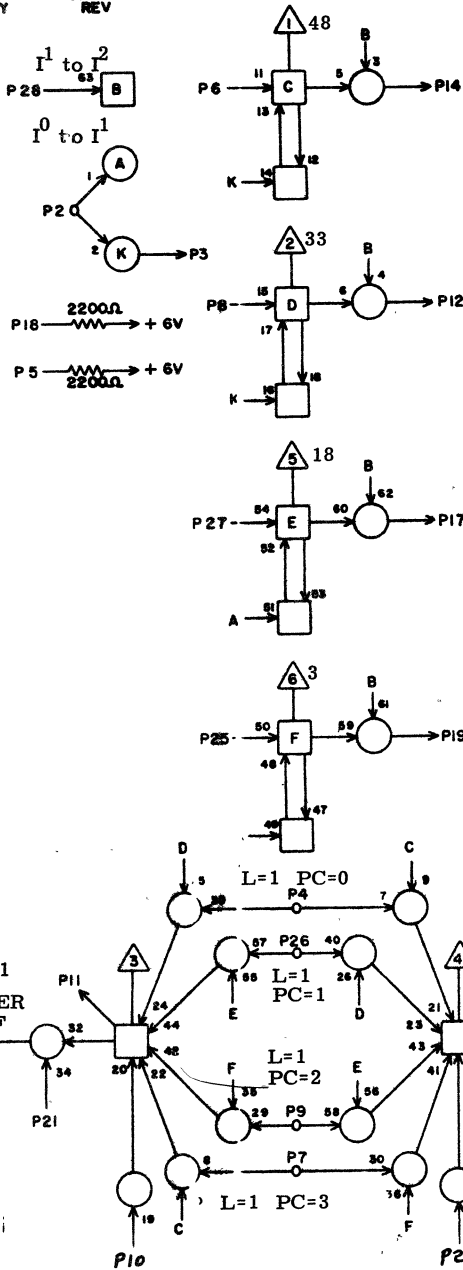
60150800 Rev B

LS 63047200
ASSY

REV

INSTRUCTION STACK
II IA

5B29



1			
2	E23	24	17
3	A29	28	5
4	C24	8	9
5			
6	A29	14	5
7	C25	7	9
8	A29	12	5
9	C25	8	9
10	B29	18	3
11	D29	10	11
12	C29	8	5
13			
14	C29	6	5
15			
16	D19	26	15
17	C29	27	7
18	B29	10	3
19	C29	25	7
20			
21			
22	GRD	X	2
23	D29	20	11
24			
25	A29	19	7
26	C24	7	9
27	A29	17	7
28	C29	3	5

JACK PIN LG
CIRCUIT SPECIFICATION 11827600

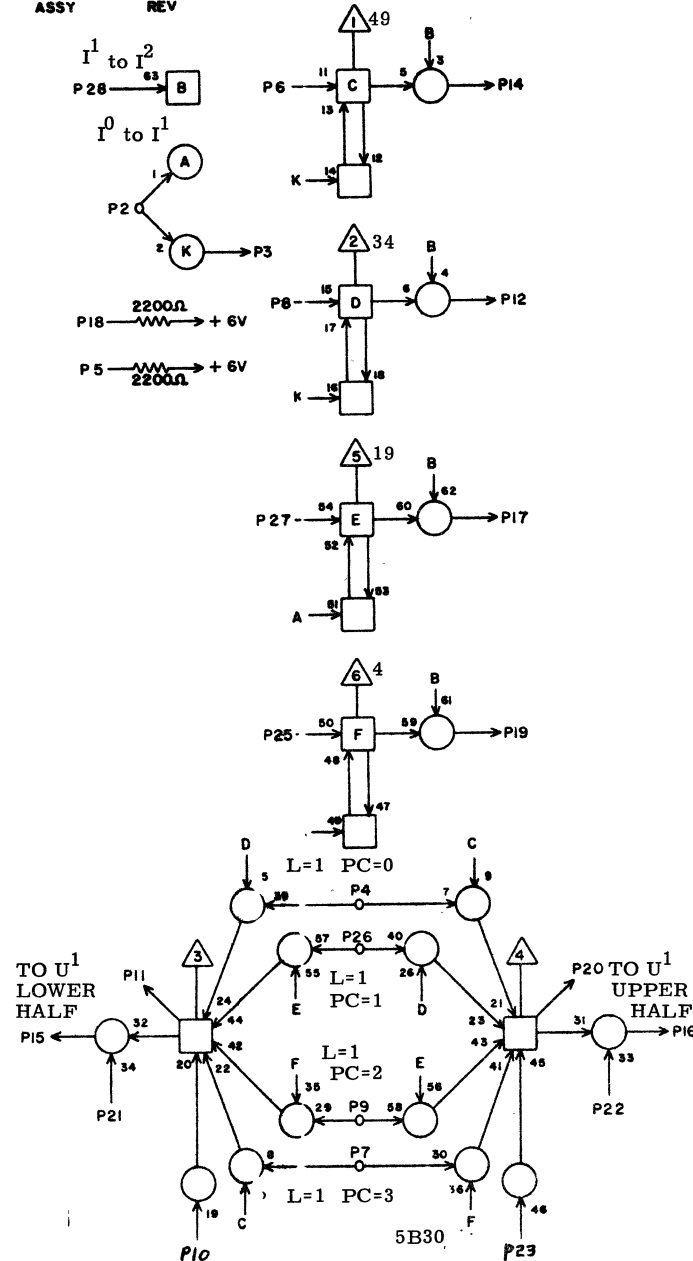
60150800 Rev B

LS 63047200
ASSY

REV

INSTRUCTION STACK
II IA

5B30



1			
2	E23	22	17
3	A30	28	5
4	C24	10	11
5			
6	A30	14	5
7	C25	9	11
8	A30	12	5
9	C25	10	11
10	B30	18	3
11	D30	10	11
12	C30	8	5
13			
14	C30	6	5
15			
16	D20	26	17
17	C30	27	7
18	B30	10	3
19	C30	25	7
20			
21			
22	GRD	X	2
23	D30	20	11
24			
25	A30	19	7
26	C24	9	9
27	A30	17	7
28	C30	3	5

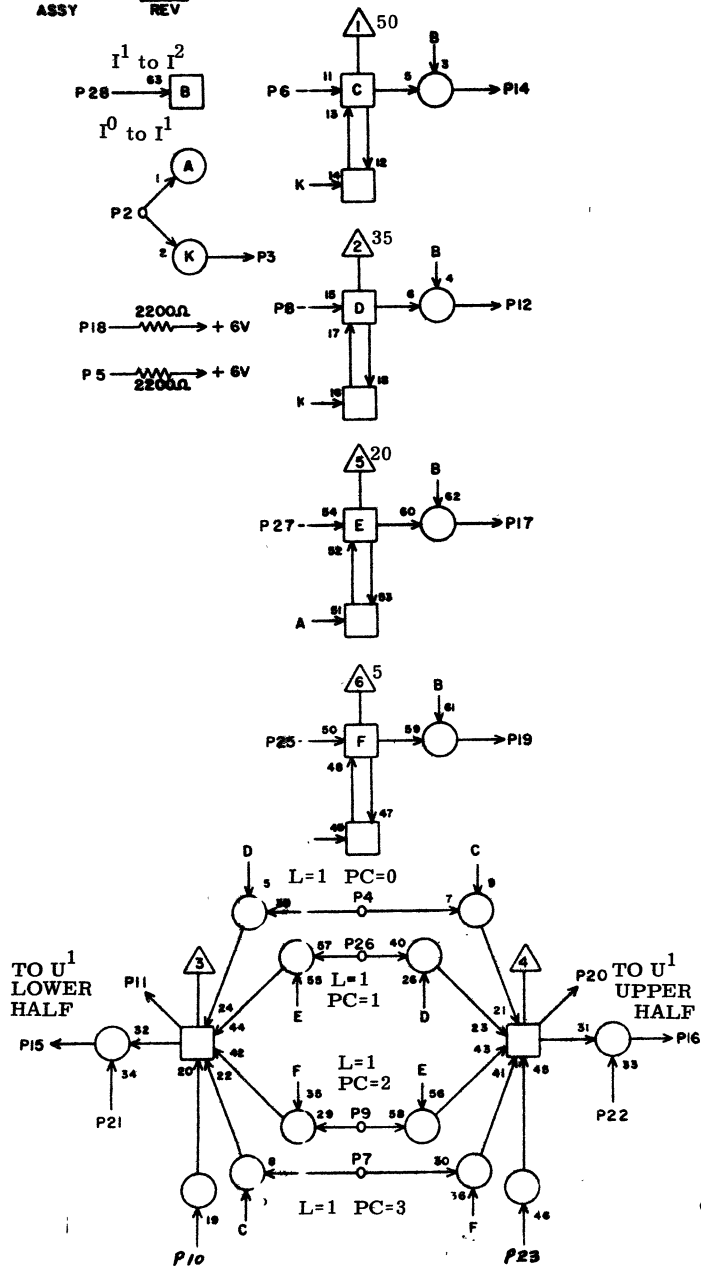
JACK PIN LG
CIRCUIT SPECIFICATION 11827600

60150800 Rev B

LS 63047200
ASSY REV **β**

INSTRUCTION STACK
II IA

5B31



1			
2	E23	20	17
3	A31	28	5
4	B21	2	13
5			
6	A31	14	5
7	B22	16	13
8	A31	12	5
9	B22	2	13
10	B31	18	3
11	D31	10	11
12	C31	8	7
13			
14	C31	6	7
15			
16	D21	26	17
17	C31	27	7
18	B31	10	3
19	C31	25	7
20			
21			
22	GRD	X	2
23	D31	20	11
24			
25	A31	19	7
26	B21	16	13
27	A31	17	7
28	C31	3	5

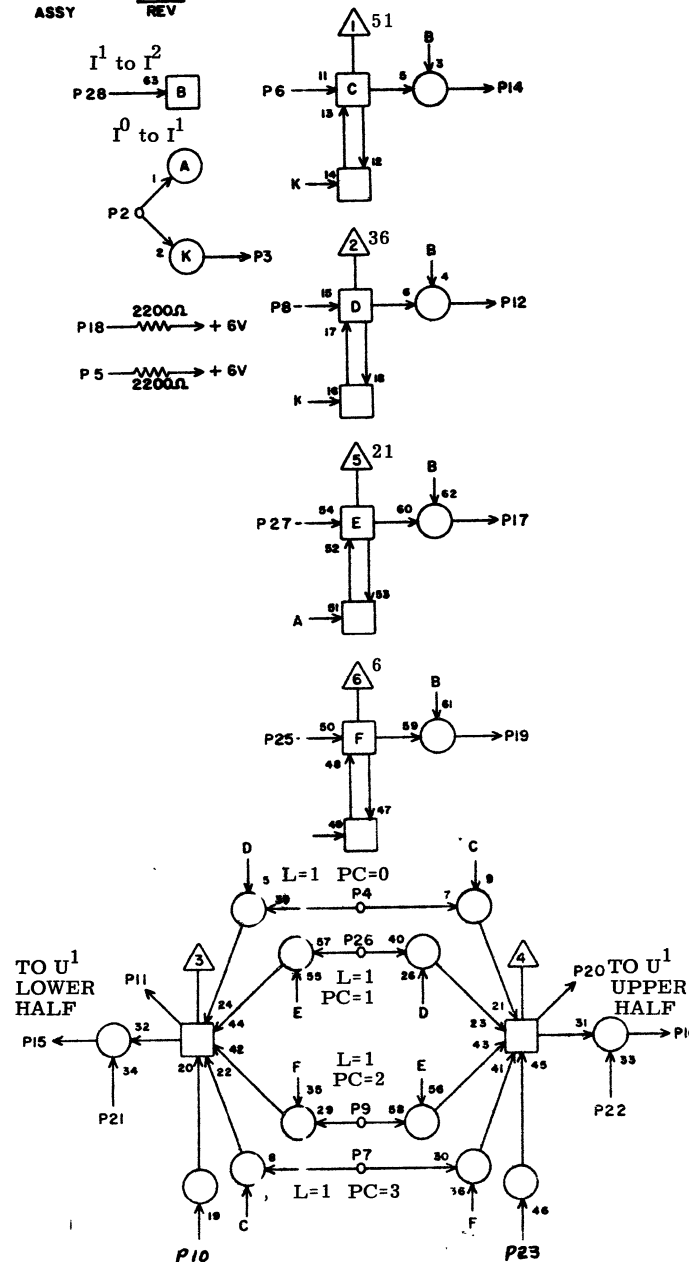
JACK PIN LG
CIRCUIT SPECIFICATION 11827600

60150800 Rev B

LS 63047200
ASSY REV **β**

INSTRUCTION STACK
II IA

5B32



1			
2	E23	18	19
3	A32	28	5
4	B21	4	13
5			
6	A32	14	5
7	B22	18	13
8	A32	12	5
9	B22	4	13
10	B32	18	3
11	D32	10	11
12	C32	8	5
13			
14	C32	6	5
15			
16	D22	26	17
17	C32	27	7
18	B32	10	3
19	C32	25	7
20			
21			
22	GRD	X	2
23	D32	20	11
24			
25	A32	19	7
26	B21	18	13
27	A32	17	7
28	C32	3	5

JACK PIN LG
CIRCUIT SPECIFICATION 11827600

60150800 Rev B

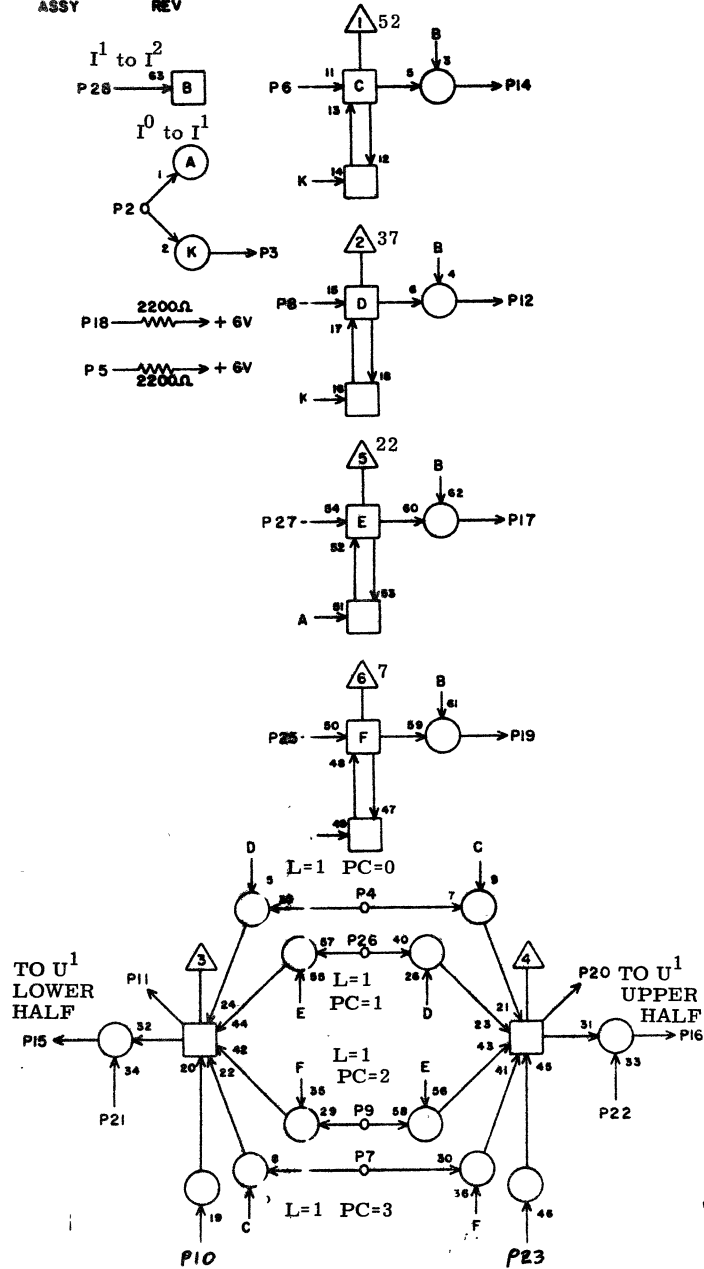
LS 63047200
ASSY

REV

INSTRUCTION STACK
II

IA

5B33



1			
2	E23	28	19
3	A33	28	5
4	B21	6	15
5			
6	A33	14	5
7	B22	20	13
8	A33	12	5
9	B22	6	13
10	B33	18	3
11	D33	10	11
12	C33	8	5
13			
14	C33	6	7
15			
16	D23	26	17
17	C33	27	7
18	B33	10	3
19	C33	25	7
20			
21			
22	GRD	X	2
23	D33	20	11
24			
25	A33	19	7
26	B21	20	15
27	A33	17	7
28	C33	3	5

JACK PIN LG
CIRCUIT SPECIFICATION 11027600

60150800 Rev B

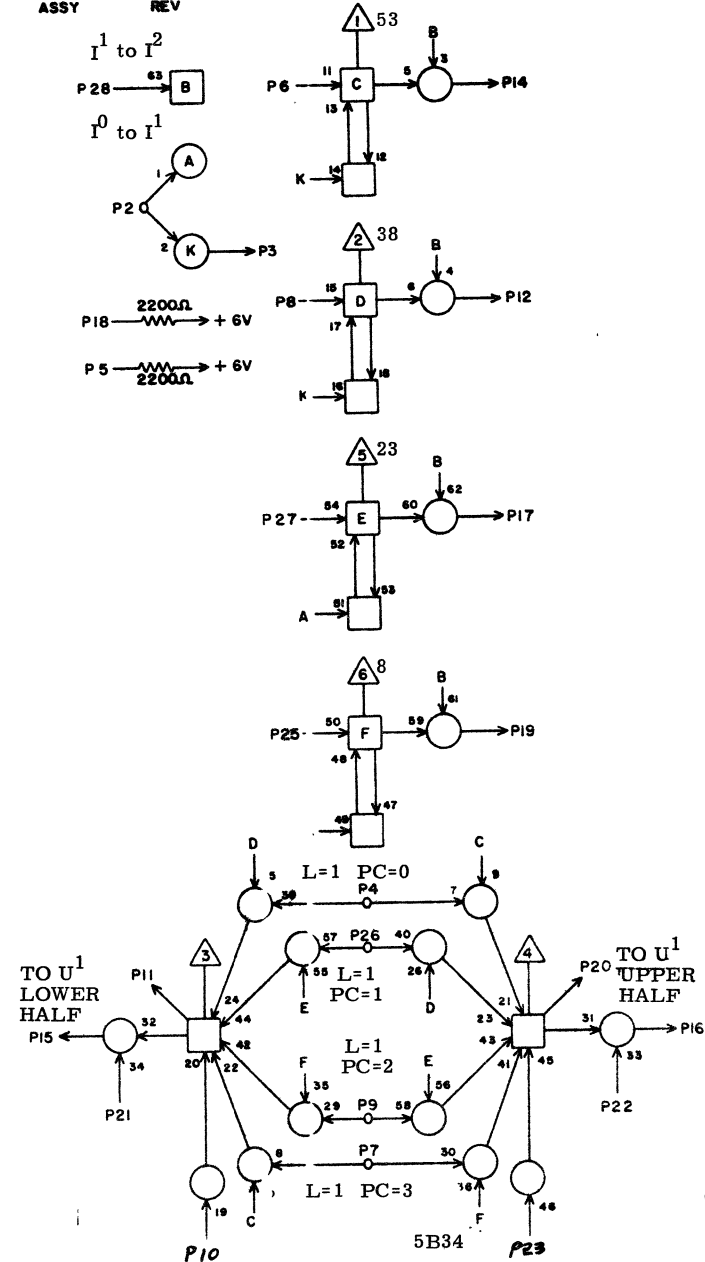
LS 63047200
ASSY

REV

INSTRUCTION STACK
II

IA

5B34



1			
2	E23	21	19
3	A34	28	5
4	B21	9	15
5			
6	A34	14	7
7	B22	22	15
8	A34	12	7
9	B22	9	15
10	B34	18	3
11	D34	10	11
12	C34	8	5
13			
14	C34	6	5
15			
16	D24	26	17
17	C34	27	7
18	B34	10	3
19	C34	25	7
20			
21			
22	GRD	X	2
23	D34	20	11
24			
25	A34	19	7
26	B21	22	15
27	A34	17	7
28	C34	3	5

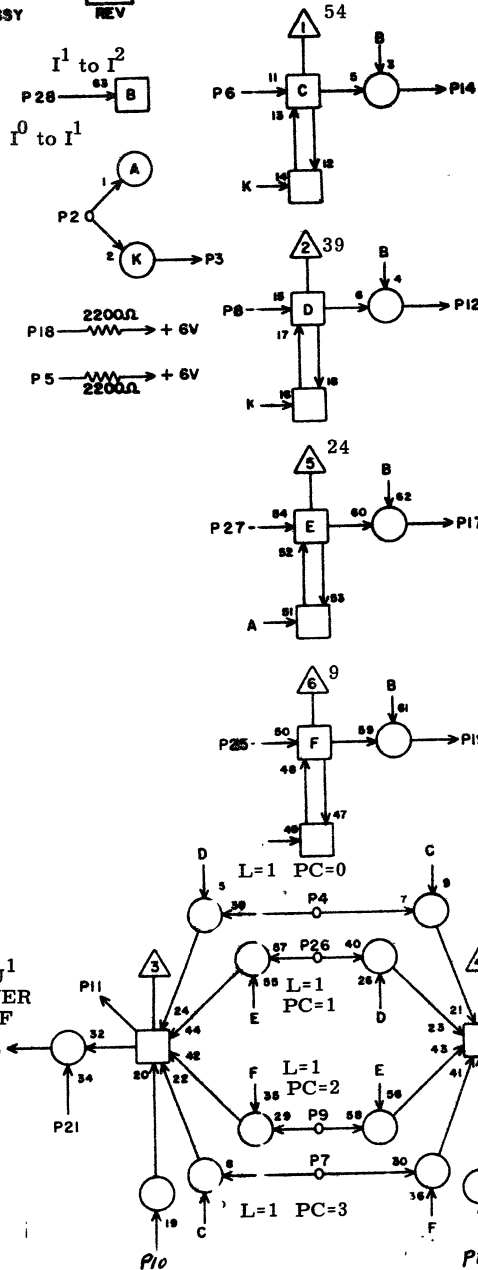
JACK PIN LG
CIRCUIT SPECIFICATION 11027600

60150800 Rev B

LS 63047200
ASSY

INSTRUCTION STACK
II IA

5B35



1			
2	E23	19	19
3	A35	28	5
4	B21	11	15
5			
6	A35	14	5
7	B22	17	15
8	A35	12	5
9	B22	11	15
10	B35	18	3
11	D35	10	11
12	C35	8	5
13			
14	C35	6	5
15			
16	D25	26	17
17	C35	27	7
18	B35	10	3
19	C35	25	7
20			
21			
22	GRD	X	2
23	D35	20	11
24			
25	A35	19	7
26	B21	17	15
27	A35	17	7
28	C35	3	5

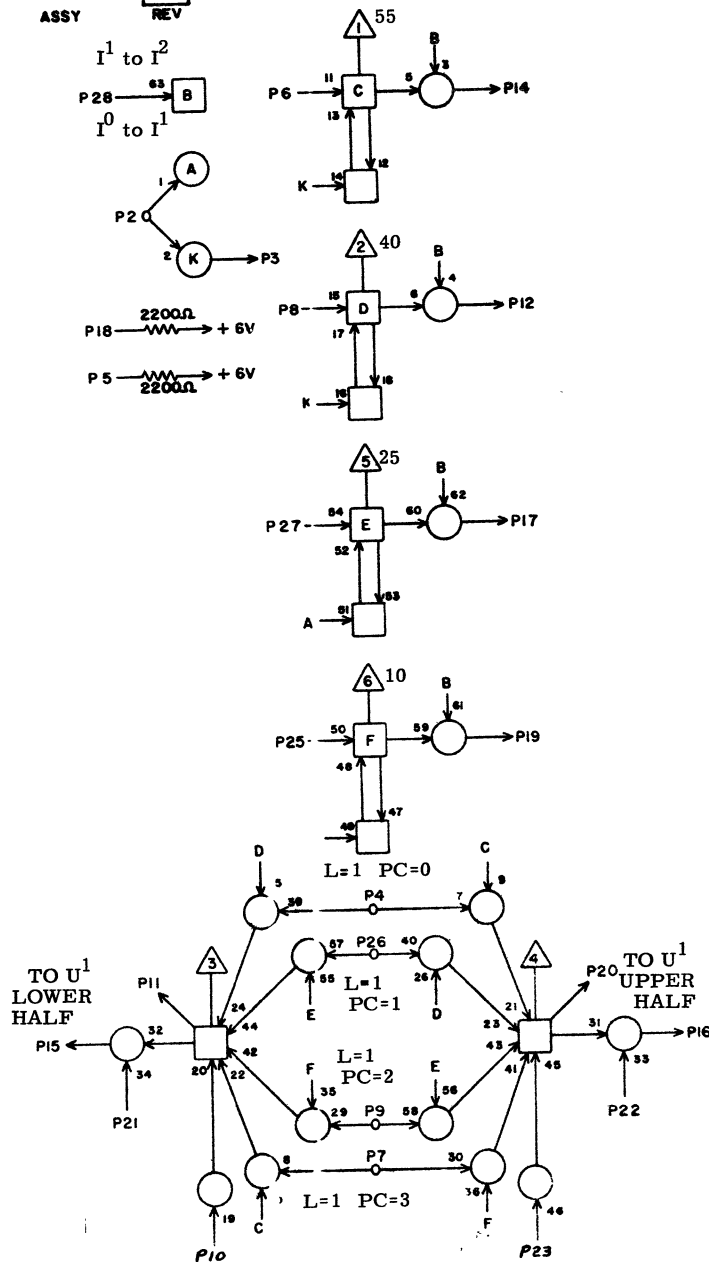
JACK PIN LG
CIRCUIT SPECIFICATION 11827600

60150800 Rev B

LS 63047200
ASSY

INSTRUCTION STACK
II IA

5B36



1			
2	E23	17	21
3	A36	28	5
4	B21	13	17
5			
6	A36	14	5
7	B22	19	15
8	A36	12	5
9	B22	13	15
10	B36	18	3
11	D36	10	9
12	C36	8	5
13			
14	C36	6	5
15			
16	E18	26	23
17	C36	27	7
18	B36	10	3
19	C36	25	7
20			
21			
22	GRD	X	2
23	D36	20	11
24			
25	A36	19	7
26	B21	19	17
27	A36	17	7
28	C36	3	5

JACK PIN LG
CIRCUIT SPECIFICATION 11827600

60150800 Rev B

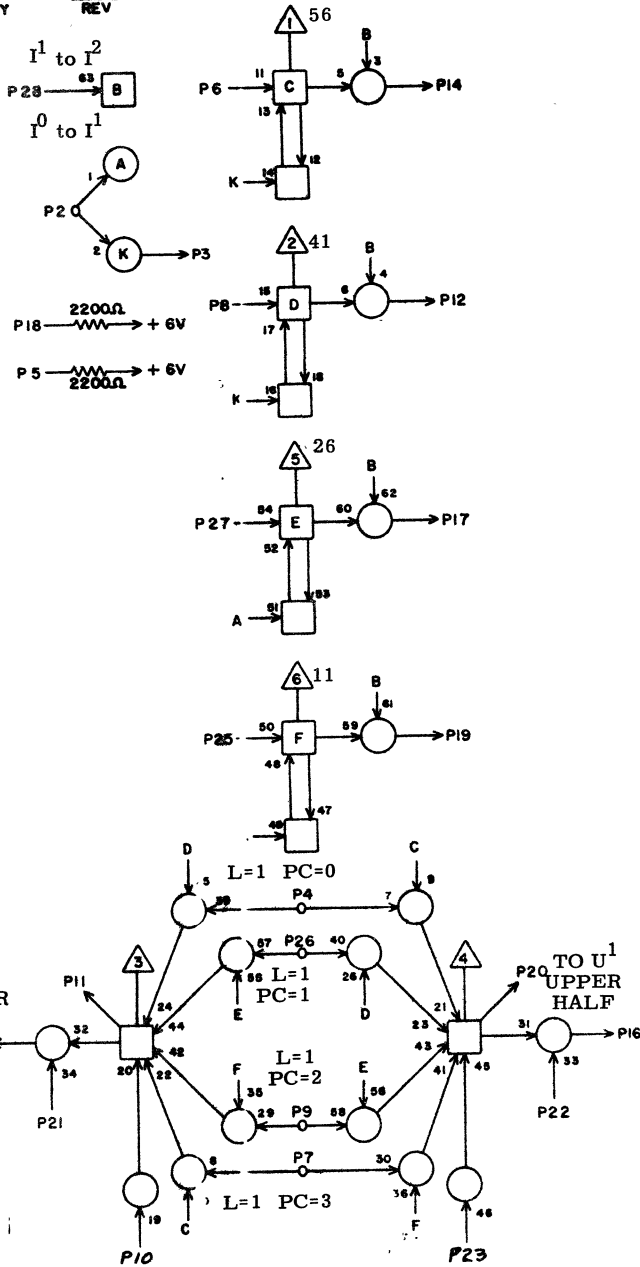
LS 63047200
ASSY

REV

INSTRUCTION STACK
II

IA

5B37



1			
2	E23	27	23
3	A37	28	5
4	B21	8	17
5			
6	A37	14	5
7	B22	21	17
8	A37	12	5
9	B22	8	17
10	B37	18	8
11	D37	10	11
12	C37	8	5
13			
14	C37	6	5
15			
16	E19	26	23
17	C37	27	7
18	B37	10	3
19	C37	25	7
20			
21			
22	GRD	X	2
23	D37	20	11
24			
25	A37	19	7
26	B21	21	17
27	A37	17	7
28	C37	3	5

JACK PIN LG
CIRCUIT SPECIFICATION 11827600

60150800 Rev AB

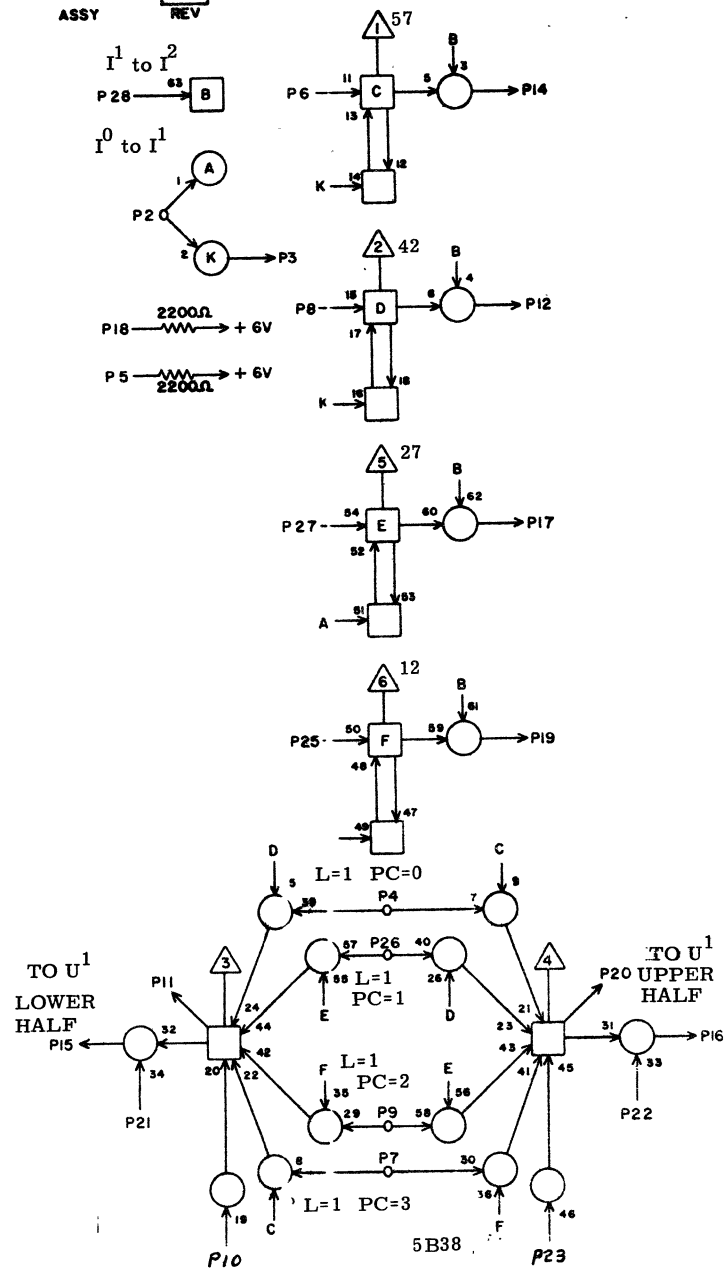
LS 63047200
ASSY

REV

INSTRUCTION STACK
II

IA

5B38



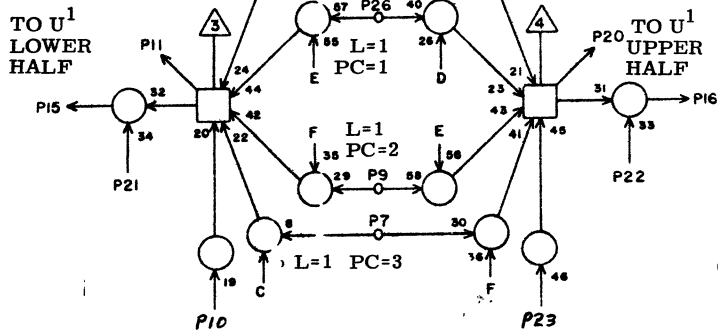
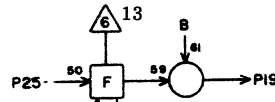
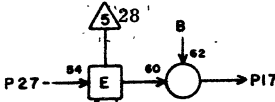
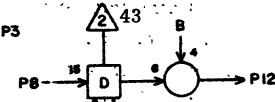
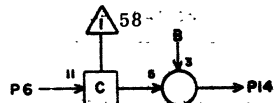
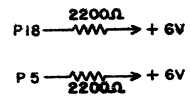
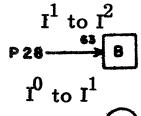
1			
2	E25	5	19
3	A38	28	5
4	B21	10	19
5			
6	A38	14	7
7	B22	24	17
8	A38	12	5
9	B22	10	17
10	B38	18	3
11	D38	10	11
12	C38	8	5
13			
14	C38	6	5
15			
16	E20	26	23
17	C38	27	7
18	B38	10	3
19	C38	25	7
20			
21			
22	GRD	X	2
23	D38	20	11
24			
25	A38	19	7
26	B21	24	19
27	A38	17	7
28	C38	3	5

JACK PIN LG
CIRCUIT SPECIFICATION 11827600

60150800 Rev B

LS 63047200
ASSY

INSTRUCTION STACK II



IA

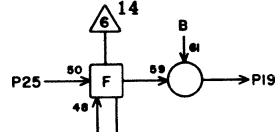
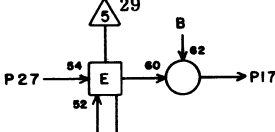
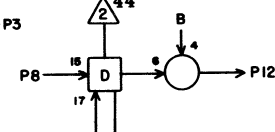
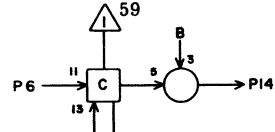
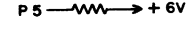
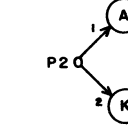
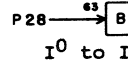
5B39

1			
2	E25	7	21
3	A39	28	5
4	B21	12	19
5			
6	A39	14	5
7	B22	26	19
8	A39	12	5
9	B22	12	19
10	B39	18	3
11	D39	10	11
12	C39	8	5
13			
14	C39	6	5
15			
16	E21	26	23
17	C39	27	7
18	B39	10	3
19	C39	25	7
20			
21			
22	GRD	X	2
23	D39	20	11
24			
25	A39	19	7
26	B21	26	19
27	A39	17	7
28	C39	3	5

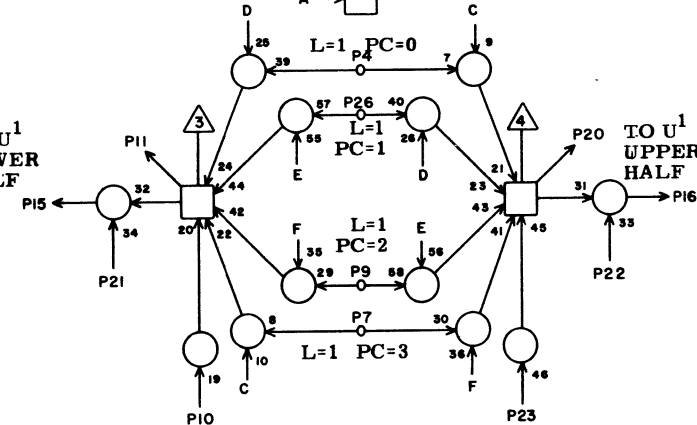
JACK PIN LG
CIRCUIT SPECIFICATION IM27600
60150800 Rev B

INSTRUCTION STACK II

I^1 to I^2



TO U¹ LOWER HALF



IA

5B40

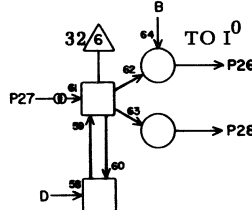
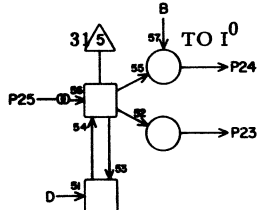
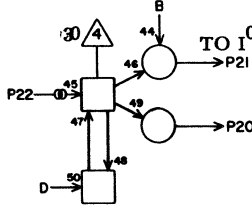
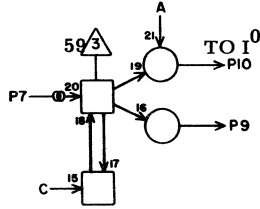
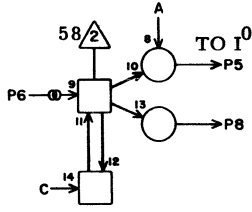
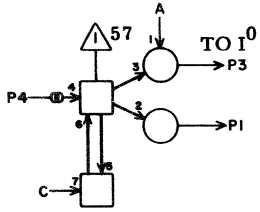
1			
2	E25	9	21
3	A40	28	5
4	B21	14	21
5			
6	A40	14	5
7	B22	28	19
8	A40	12	5
9	B22	14	19
10	B40	18	3
11	D40	10	11
12	C40	8	5
13			
14	C40	6	5
15			
16	E22	26	23
17	C40	27	7
18	B40	10	3
19	C40	25	7
20			
21			
22	GRD	X	2
23	D40	20	11
24			
25	A40	19	7
26	B21	28	21
27	A40	17	7
28	C40	3	5

JACK PIN LG

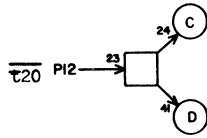
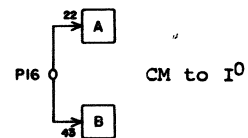
60150800 Rev. B

BUFFER INPUT REGISTER

IT **5B41**



IN 30 - 32
IN 57 - 59

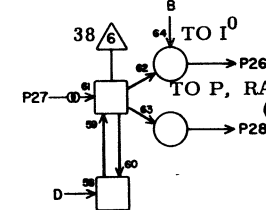
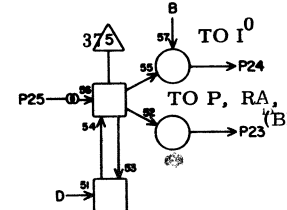
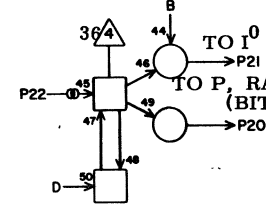
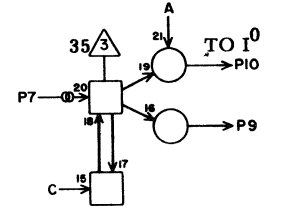
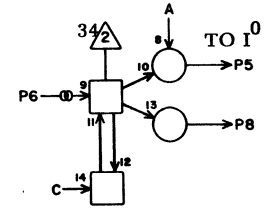
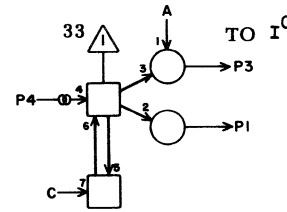


IT	JACK	PIN	LG
1			
2			
3	A38	6	7
4	W03	94	
5	A39	6	7
6	W03	95	
7	W03	96	
8			
9			
10	A40	6	7
11			
12	E29	6	19
13			
14			
15			
16	A28	3	17
17			
18			
19			
20			
21	A26	8	19
22	W04	900	
23			
24	A27	8	17
25	W04	901	
26	A28	8	17
27	W04	902	
28			

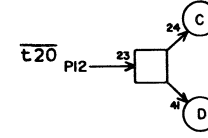
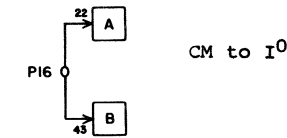
60150800 Rev. B

BUFFER INPUT REGISTER

IT **5B42**



IN 33 - IN 38



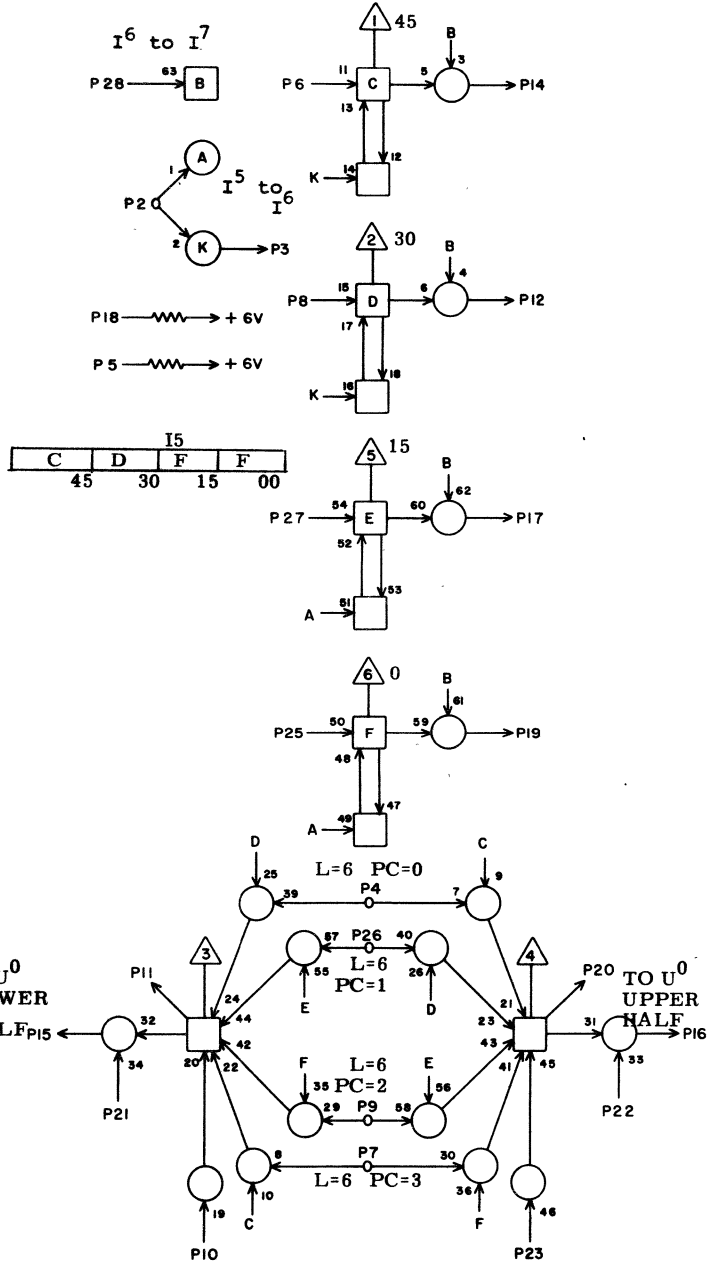
IT	JACK	PIN	LG
1			
2			
3	A29	8	17
4	W04	903	
5	A30	8	17
6	W04	904	
7	W04	905	
8			
9			
10	A31	8	15
11			
12	E29	4	19
13			
14			
15			
16	A29	3	17
17			
18			
19			
20	N31	25	47
21	A32	8	15
22	W04	906	
23	N31	3	47
24	A33	8	15
25	W04	907	
26	A34	8	13
27	W04	90	
28	N32	25	47

60150800 Rev. B

5B42

INSTRUCTION STACK

I6



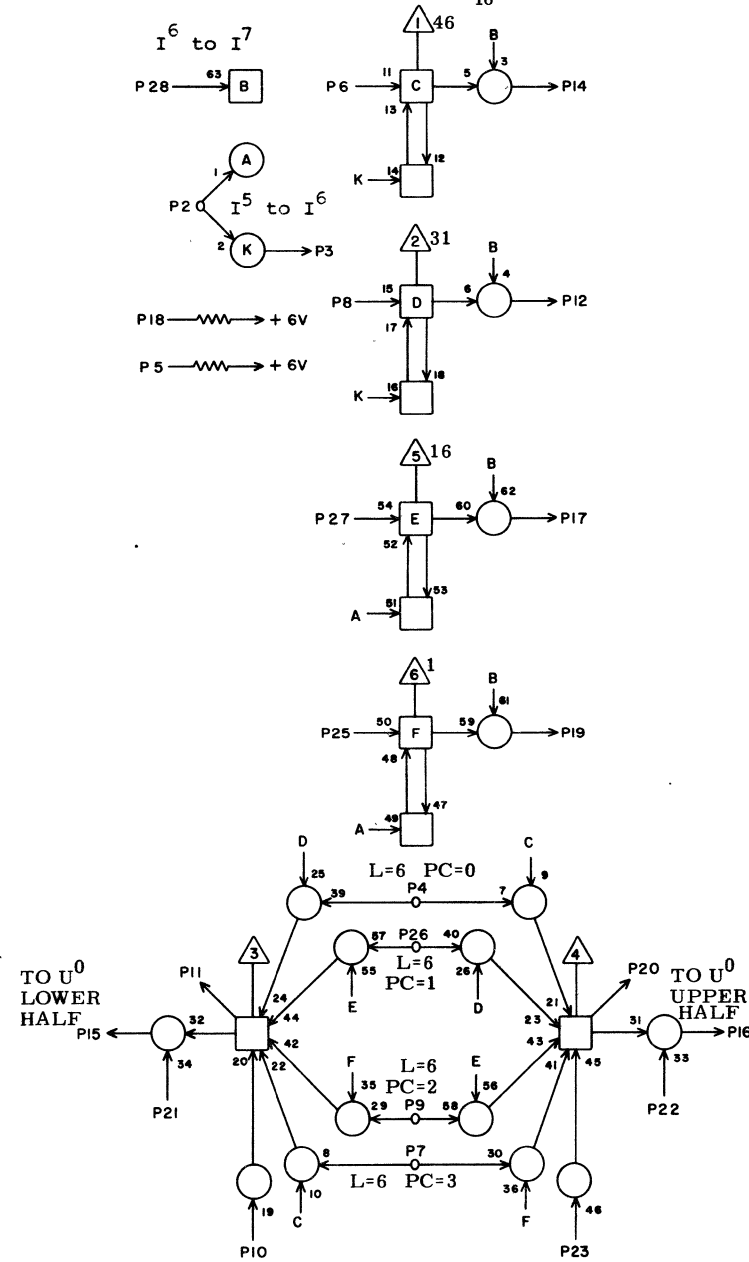
IA 5C 1

1			
2	E17	15	19
3	B01	28	5
4	A16	20	17
5	N17	1	43
6	B01	14	5
7	B16	19	17
8	B01	12	5
9	B16	20	17
10	A01	11	11
11			
12	D01	8	5
13			
14	D01	6	5
15	D16	9	17
16			
17	D01	27	7
18	C01	23	3
19	D01	25	7
20	A01	23	11
21	D16	13	17
22			
23	C01	18	3
24			
25	B01	19	7
26	A16	19	17
27	B01	17	7
28	D01	3	5

JACK PIN LG

INSTRUCTION STACK

I6

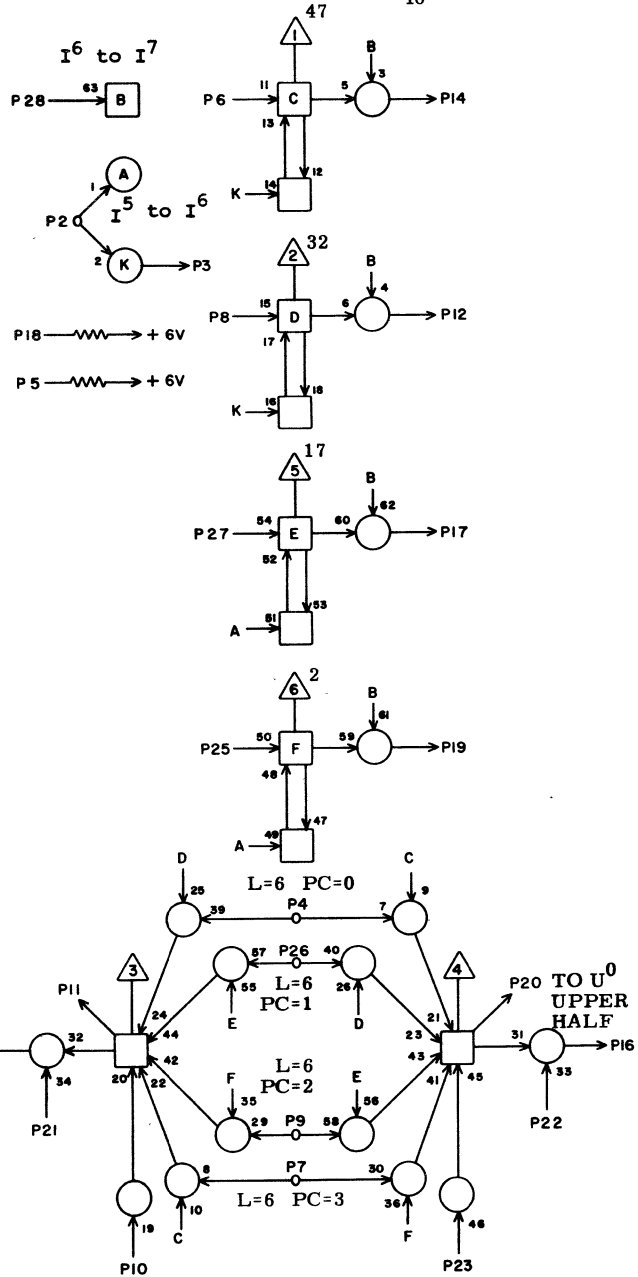


IA 5C 2

1			
2	E17	7	19
3	B02	28	5
4	A16	22	17
5			
6	B02	14	5
7	B16	21	17
8	B02	12	5
9	B16	22	17
10	A02	11	11
11			
12	D02	8	5
13			
14	D02	6	5
15	D17	9	17
16			
17	D02	27	7
18	C02	23	3
19	D02	25	7
20	A02	23	11
21	D17	13	17
22			
23	C02	18	3
24			
25	B02	19	7
26	A16	21	17
27	B02	17	7
28	D02	3	5

JACK PIN LG

INSTRUCTION STACK
I6

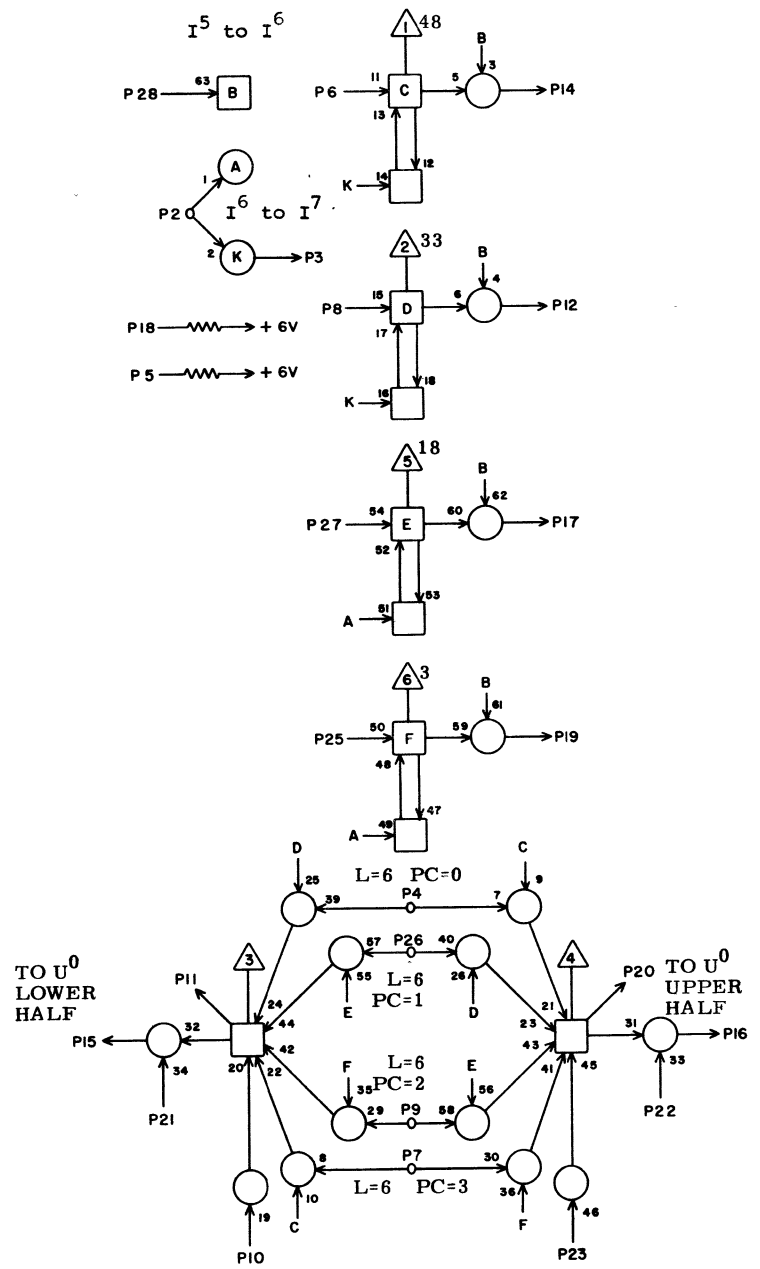


IA 5C 3

1			
2	E17	6	17
3	B03	28	5
4	A16	24	17
5			
6	B03	14	5
7	B16	23	17
8	B03	12	5
9	B16	24	17
10	A03	11	11
11			
12	D03	8	5
13			
14	D03	6	5
15	D18	9	17
16			
17	D03	27	7
18	C03	23	3
19	D03	25	7
20	A03	23	11
21	D18	13	17
22			
23	C03	18	3
24			
25	B03	19	7
26	A16	23	19
27	B03	17	7
28	D03	3	5

JACK PIN LG
60150800 Rev. B

INSTRUCTION STACK
I6

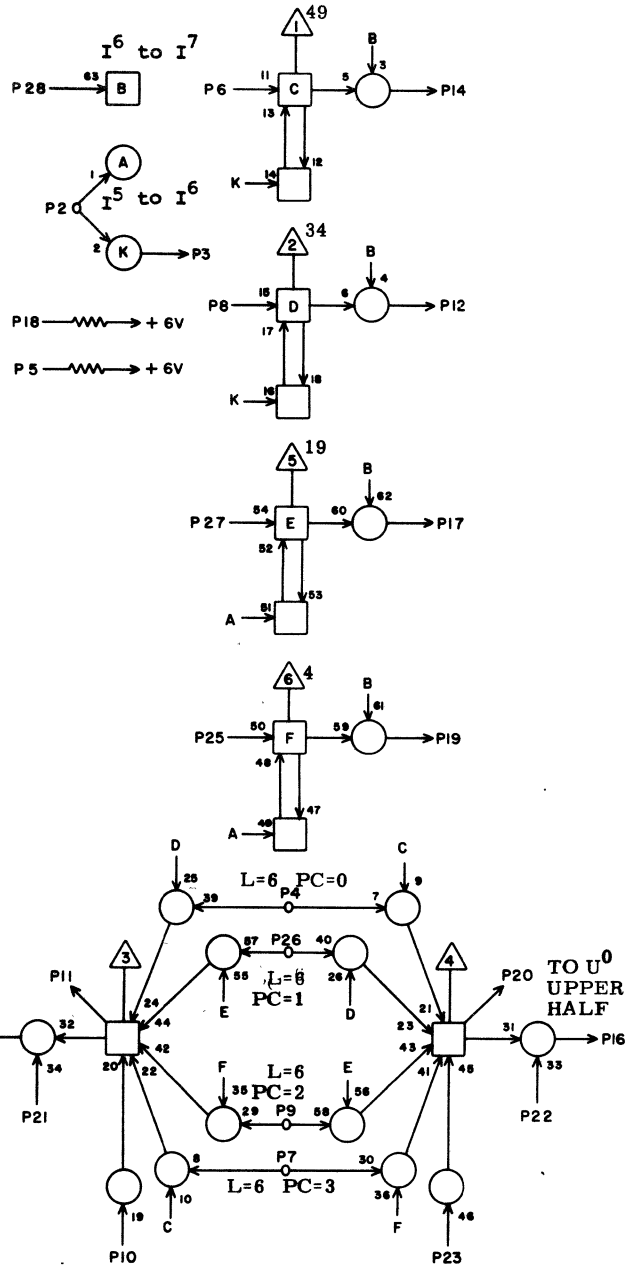


IA 5C 4

1			
2	E17	4	17
3	B04	28	5
4	A16	26	17
5			
6	B04	14	5
7	B16	25	17
8	B04	12	5
9	B16	26	17
10	A04	11	11
11			
12	D04	8	5
13			
14	D04	6	5
15	D19	9	17
16			
17	D04	27	7
18	C04	23	3
19	D04	25	7
20	A04	23	11
21	D19	13	17
22			
23	C04	18	3
24			
25	B04	19	7
26	A16	25	17
27	B04	17	7
28	D04	3	5

JACK PIN LG
60150800 Rev. B

INSTRUCTION STACK
I6

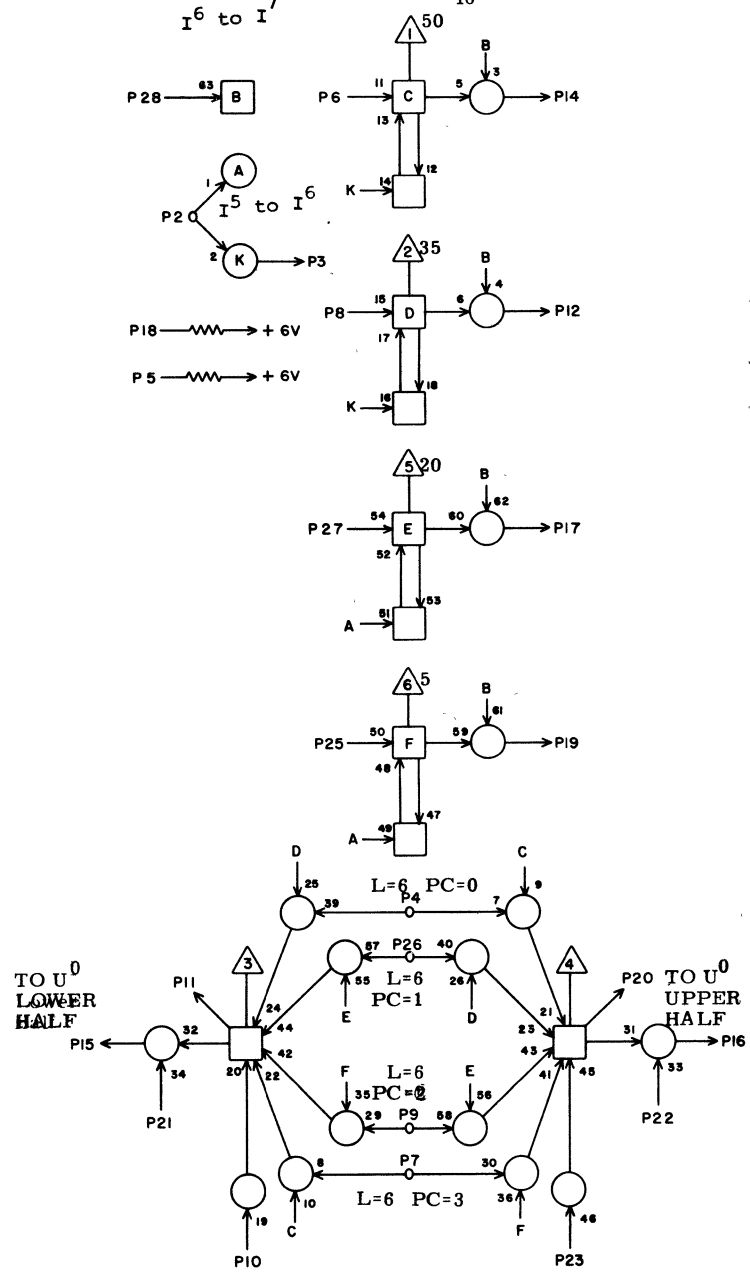


IA 5C 5

1			
2	E17	9	17
3	B05	28	5
4	A16	28	15
5			
6	B05	14	5
7	B16	27	15
8	B05	12	5
9	B16	28	15
10	A05	11	11
11			
12	D05	8	5
13			
14	D05	6	5
15	D20	9	17
16			
17	D05	27	7
18	C05	23	3
19	D05	25	7
20	A05	23	11
21	D20	13	17
22			
23	C05	18	3
24			
25	B05	19	7
26	A16	27	15
27	B05	17	7
28	D05	3	5

JACK PIN LG

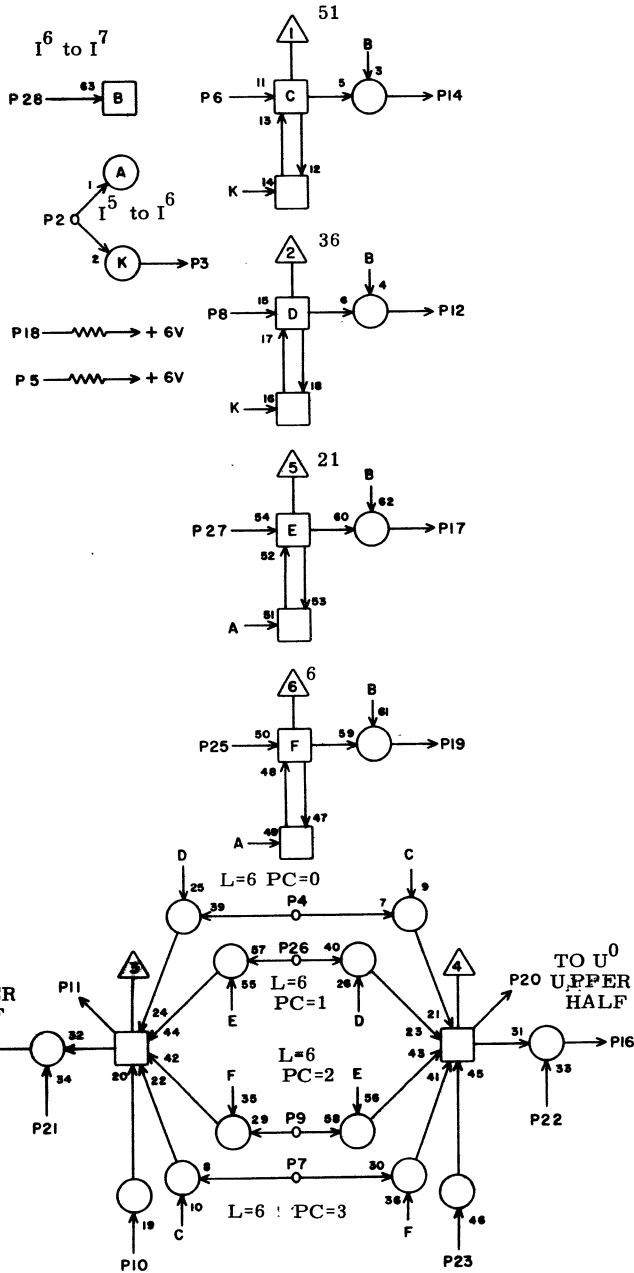
INSTRUCTION STACK
I6



IA 5C 6

1			
2	E17	11	17
3	B06	28	5
4	B19	2	17
5			
6	B06	14	7
7	B20	16	17
8	B06	12	5
9	B20	2	17
10	A06	11	11
11			
12	D06	8	5
13			
14	D06	6	5
15	D21	9	17
16			
17	D06	27	7
18	C06	23	3
19	D06	25	9
20	A06	23	11
21	D21	13	17
22			
23	C06	18	3
24			
25	B06	19	7
26	B19	16	17
27	B06	17	7
28	D06	3	5

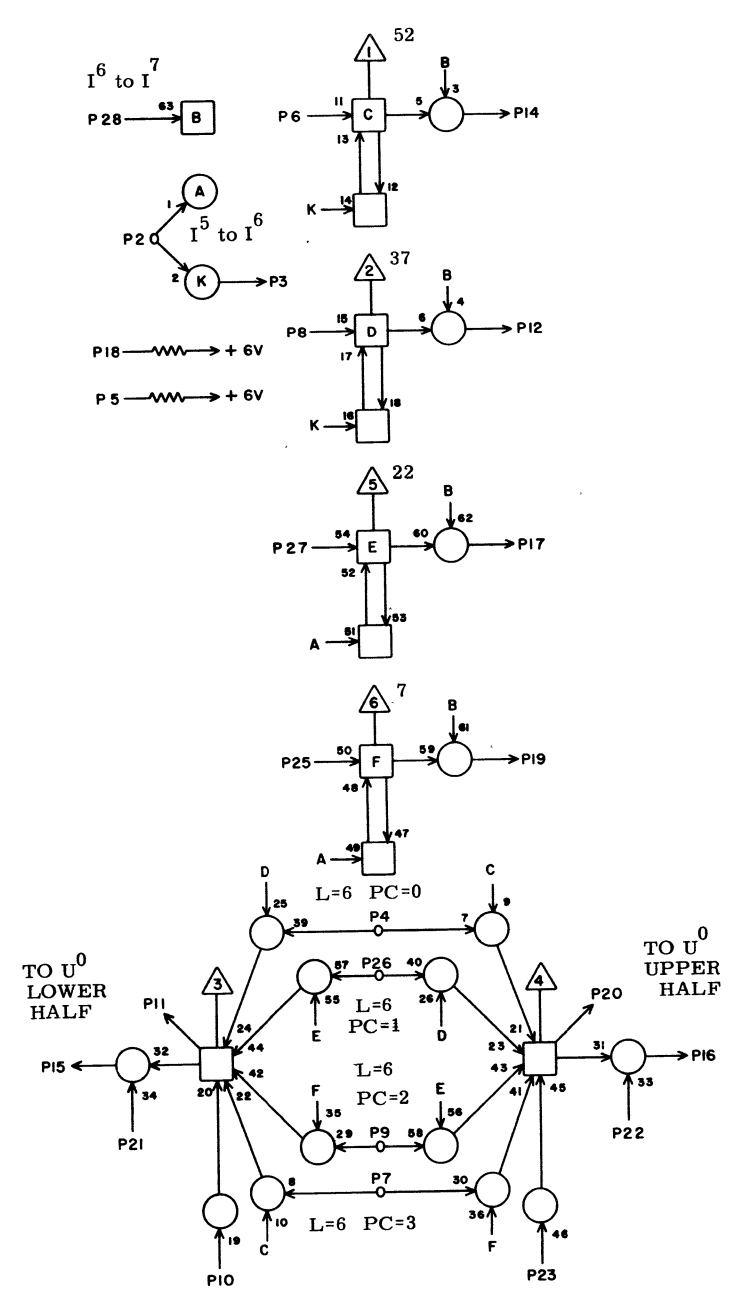
JACK PIN LG



IA 5C07

JACK	PIN	LG
1		
2	E17	13 15
3	B07	28 5
4	B19	4 15
5		
6	B07	14 5
7	B20	18 17
8	B07	12 5
9	B20	4 17
10	A07	11 11
11		
12	D07	8 7
13		
14	D07	6 7
15	D22	9 17
16		
17	D07	27 7
18	C07	23 3
19	D07	25 7
20	A07	23 11
21	D22	13 17
22		
23	C07	18 3
24		
25	B07	19 7
26	B19	18 15
27	B07	17 7
28	D07	3 5

60150800 Rev.B

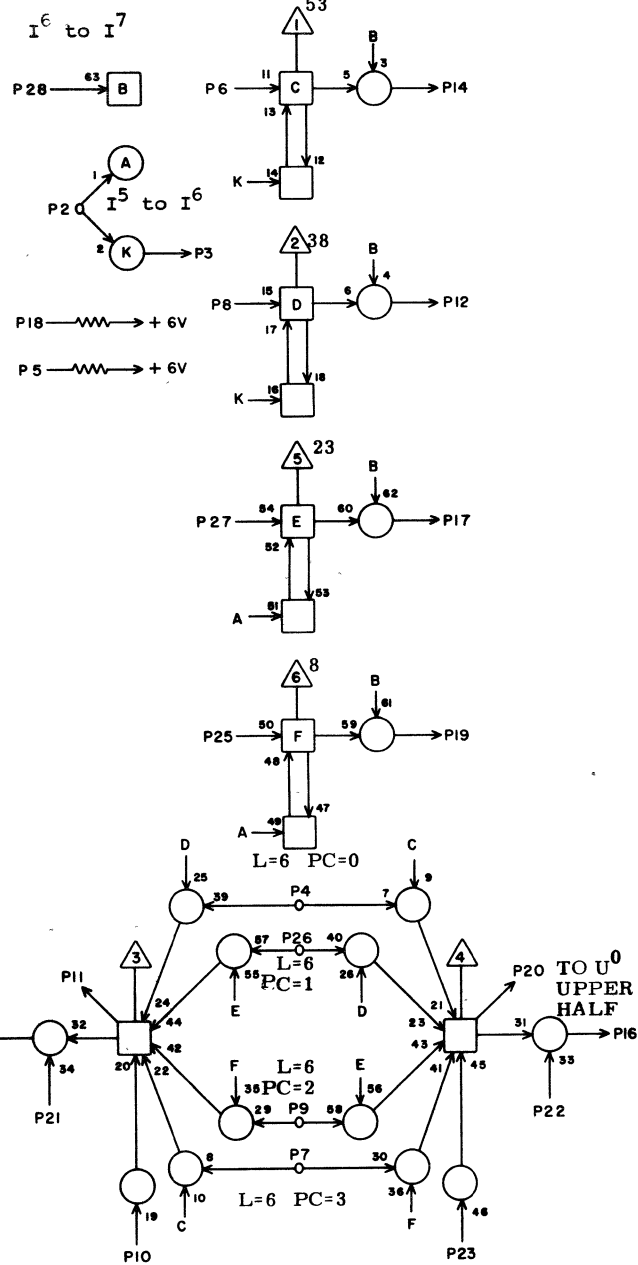


IA 5C08

JACK	PIN	LG
1		
2	E17	1 15
3	B08	28 5
4	B19	6 15
5		
6	B08	14 5
7	B20	20 15
8	B08	12 5
9	B20	6 15
10	A08	11 11
11		
12	D08	8 5
13		
14	D08	6 5
15	D23	9 17
16		
17	D08	27 7
18	C08	23 3
19	D08	25 7
20	A08	23 11
21	D23	13 17
22		
23	C08	18 3
24		
25	B08	19 7
26	B19	20 13
27	B08	17 7
28	D08	3 5

60150800 Rev B

INSTRUCTION STACK
I6



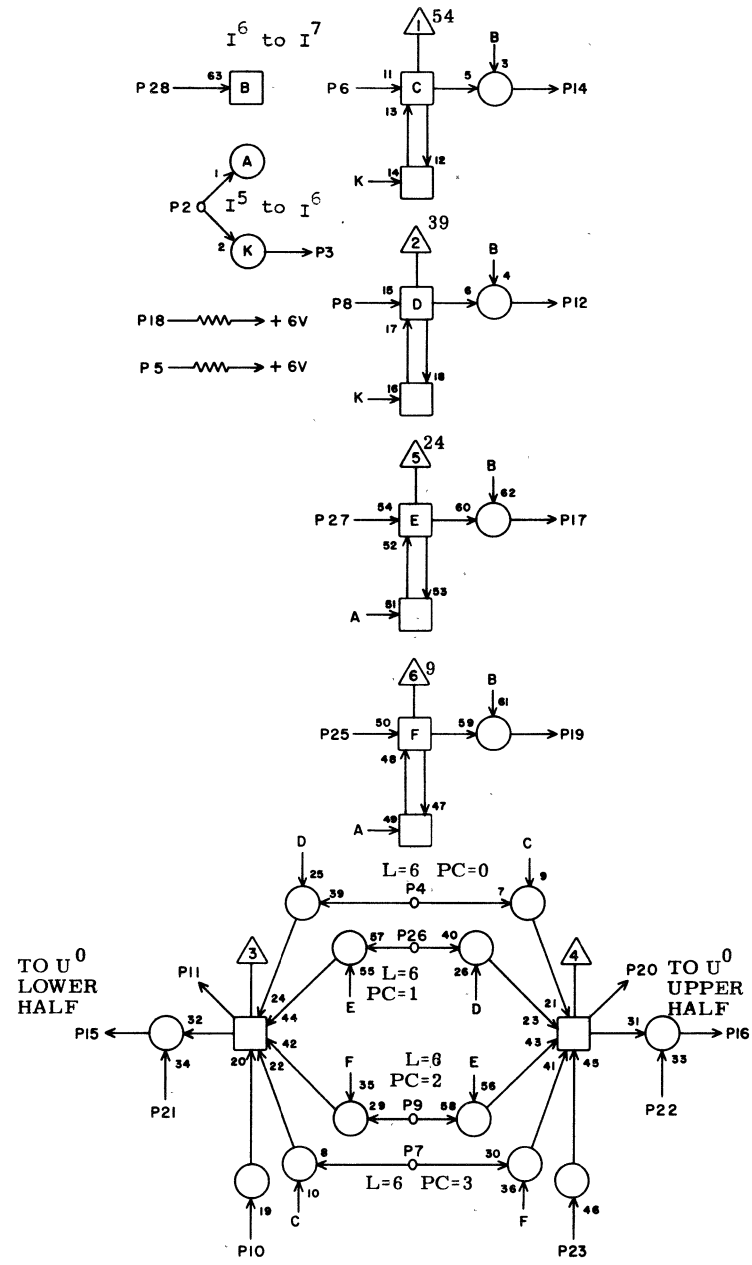
IA 5C 9

1			
2	E17	8	15
3	B09	28	5
4	B19	9	13
5			
6	B09	14	7
7	B20	22	15
8	B09	12	5
9	B20	9	15
10	A09	11	11
11			
12	D09	8	5
13			
14	D09	6	5
15	D24	9	17
16			
17	D09	27	7
18	C09	23	3
19	D09	25	7
20	A09	23	11
21	D24	13	17
22			
23	C09	18	3
24			
25	B09	19	7
26	B19	22	13
27	B09	17	7
28	D09	3	5

JACK PIN LG

60150800 Rev. B

INSTRUCTION STACK
I6



IA 5C10

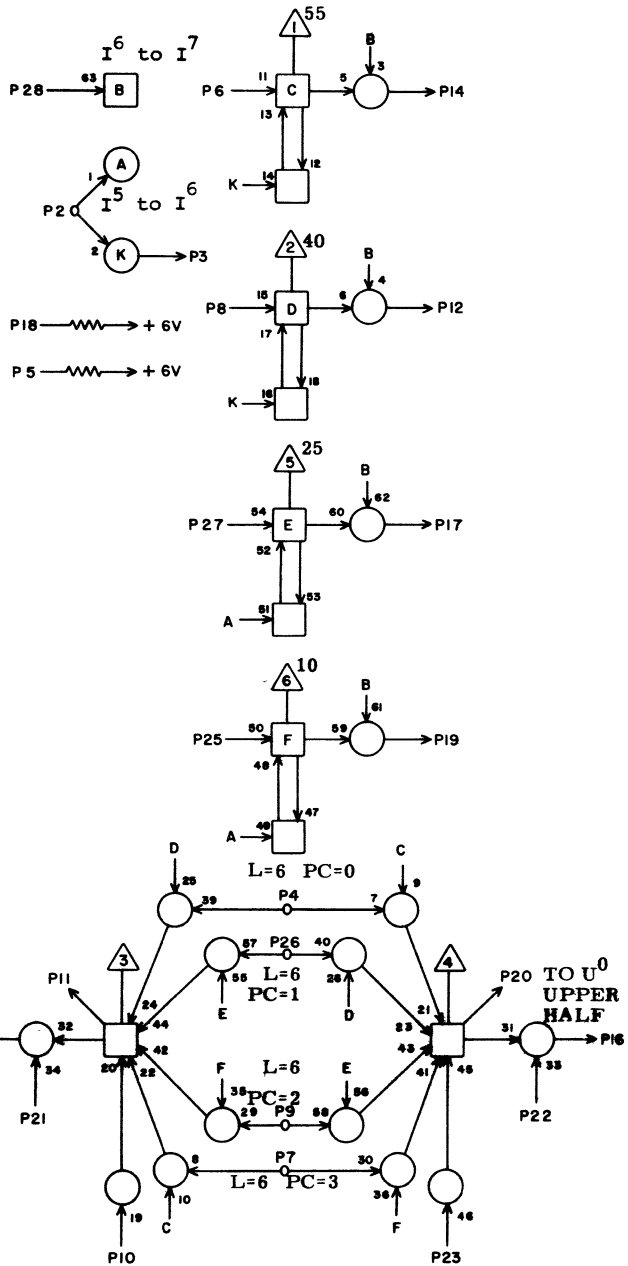
1			
2	E17	10	15
3	B10	28	5
4	B19	11	13
5			
6	B10	14	5
7	B20	17	15
8	B10	12	5
9	B20	11	15
10	A10	11	11
11			
12	D10	8	5
13			
14	D10	6	5
15	D25	9	17
16			
17	D10	27	7
18	C10	23	3
19	D10	25	7
20	A10	23	11
21	D25	13	17
22			
23	C10	18	3
24			
25	B10	19	7
26	B19	17	13
27	B10	17	7
28	D10	3	5

JACK PIN LG

60150800 Rev. B

5C10

INSTRUCTION STACK
I6

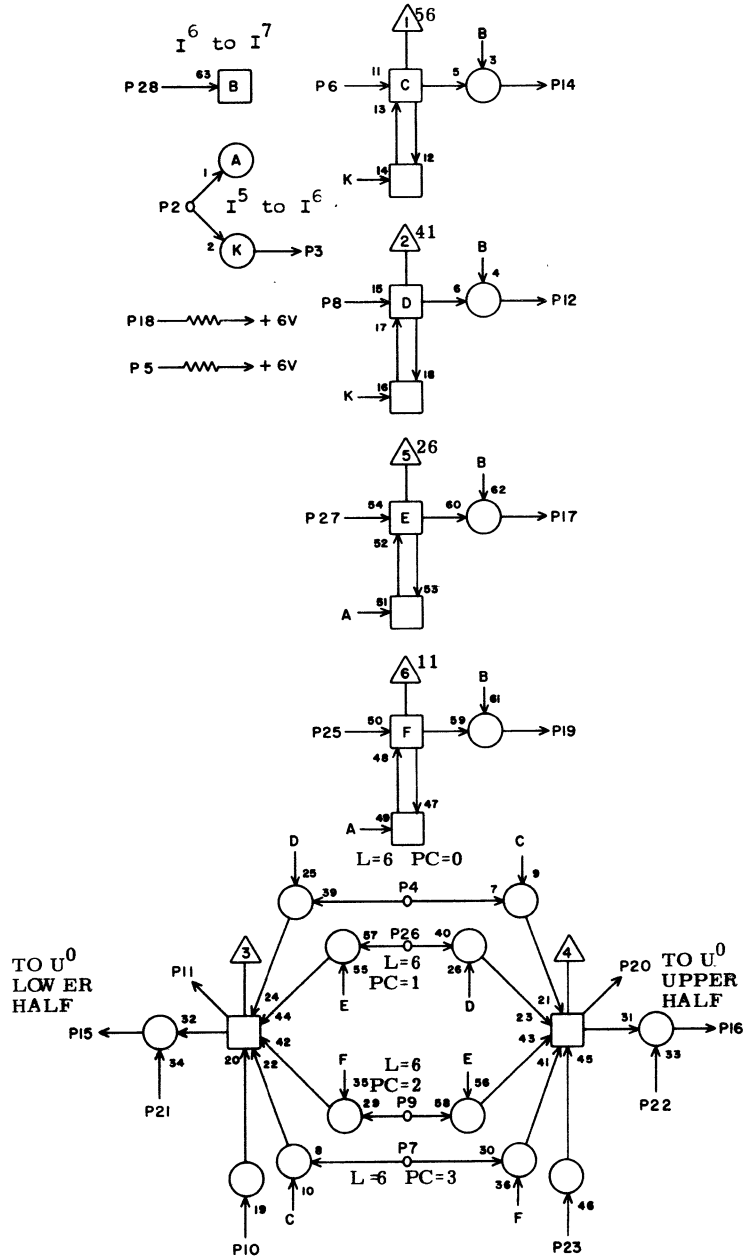


IA 5C11

1			
2	E17	12	13
3	B11	28	5
4	B19	13	13
5			
6	B11	14	5
7	B20	19	13
8	B11	12	5
9	B20	13	13
10	A11	11	11
11			
12	D11	8	5
13			
14	D11	6	5
15	E18	9	13
16			
17	D11	27	7
18	C11	23	3
19	D11	25	7
20	A11	23	11
21	E18	13	13
22			
23	C11	18	3
24			
25	B11	19	7
26	B19	19	13
27	B11	17	7
28	D11	3	5
	JACK	PIN	LG

60150800 Rev. B

INSTRUCTION STACK
I6

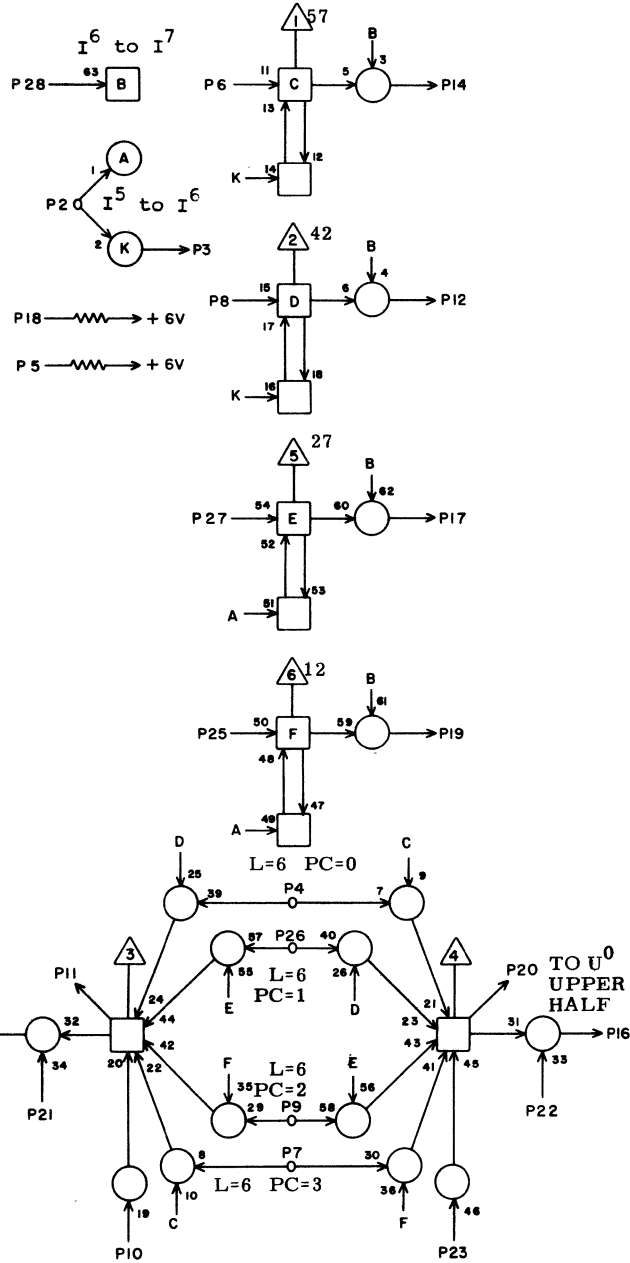


IA 5C12

1			
2	E17	2	13
3	B12	28	5
4	B19	8	9
5			
6	B12	14	5
7	B20	21	13
8	B12	12	7
9	B20	8	13
10	A12	11	11
11			
12	D12	8	5
13			
14	D12	6	5
15	E19	9	13
16			
17	D12	27	7
18	C12	23	3
19	D12	25	7
20	A12	23	11
21	E19	13	13
22			
23	C12	18	3
24			
25	B12	19	7
26	B19	21	13
27	B12	17	7
28	D12	3	5
	JACK	PIN	LG

60150800 Rev. B

INSTRUCTION STACK
I6

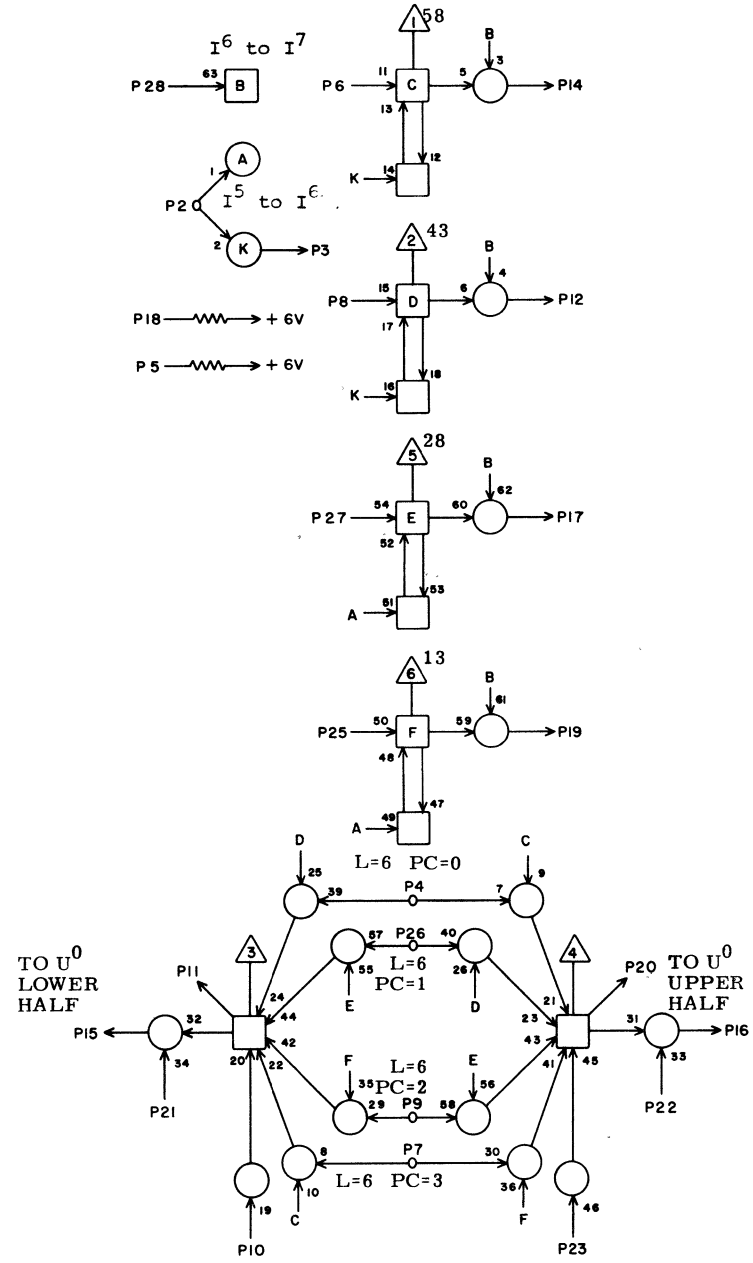


IA 5C13

1			
2	E15	16	13
3	B13	28	5
4	B19	10	11
5			
6	B13	14	5
7	B20	24	11
8	B13	12	5
9	B20	10	11
10	A13	11	11
11			
12	D13	8	5
13			
14	D13	6	5
15	E20	9	13
16			
17	D13	27	7
18	C13	23	3
19	D13	25	7
20	A13	23	11
21	E20	13	13
22			
23	C13	18	3
24			
25	B13	19	7
26	B19	24	11
27	B13	17	7
28	D13	3	5

JACK PIN LG

INSTRUCTION STACK
I6

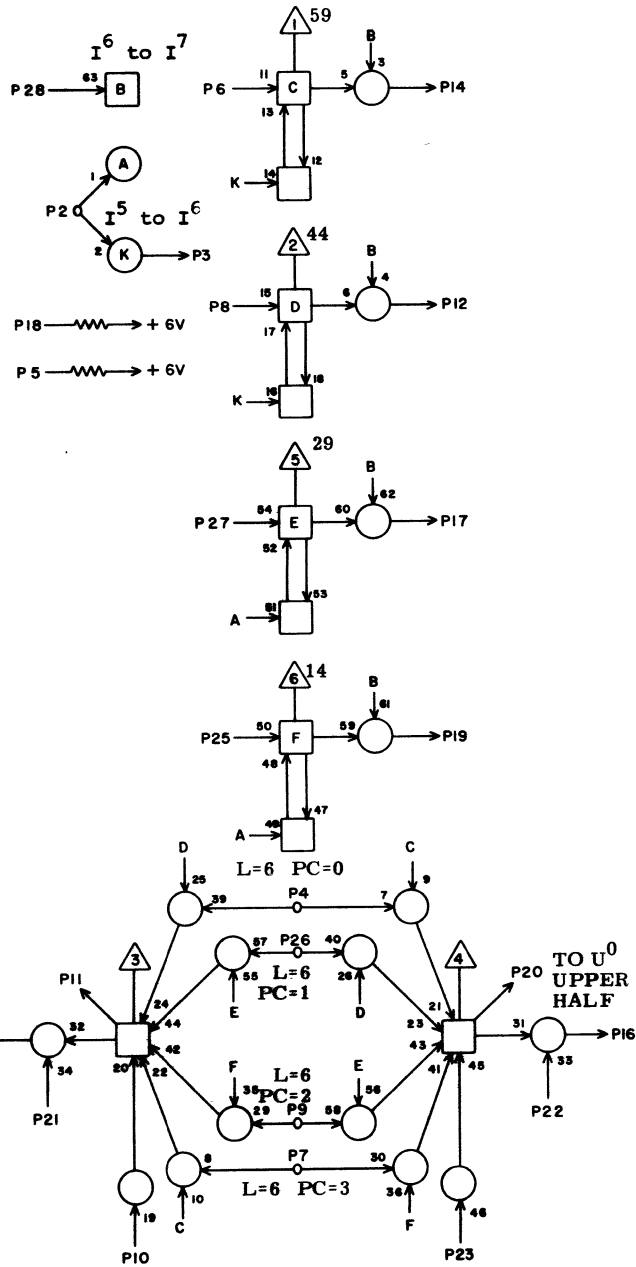


IA 5C14

1			
2	E15	18	13
3	B14	23	5
4	B19	12	9
5			
6	B14	14	5
7	B20	26	11
8	B14	12	5
9	B20	12	11
10	A14	11	11
11			
12	D14	8	5
13			
14	D14	6	5
15	E21	9	13
16			
17	D14	27	7
18	C14	23	3
19	D14	25	7
20	A14	23	11
21	E21	13	13
22			
23	C14	18	3
24			
25	B14	19	7
26	B19	26	9
27	B14	17	7
28	D14	3	5

JACK PIN LG

INSTRUCTION STACK
I6



IA

5C15

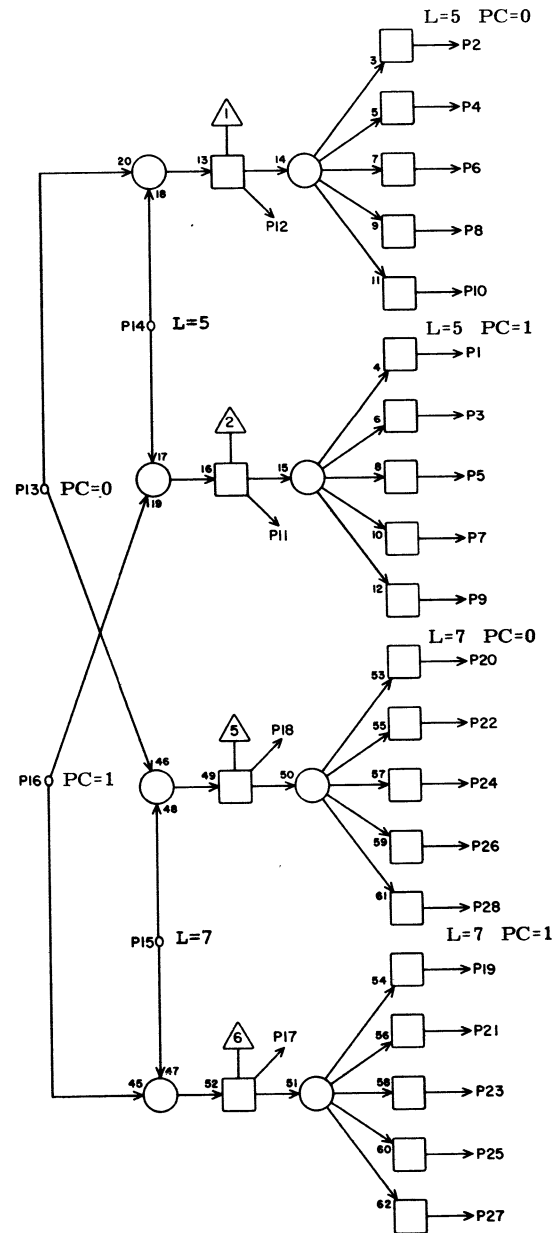
1			
2	E15	20	13
3	B15	28	5
4	B19	14	9
5			
6	B15	14	5
7	B20	28	9
8	B15	12	5
9	B20	14	9
10	A15	11	11
11			
12	D15	8	5
13			
14	D15	6	5
15	E22	9	13
16			
17	D15	27	7
18	C15	23	3
19	D15	25	7
20	A15	23	11
21	E22	13	13
22			
23	C15	18	3
24			
25	B15	19	7
26	B19	28	9
27	B15	17	7
28	D15	3	5

JACK PIN LG

60150800 Rev. B

HB

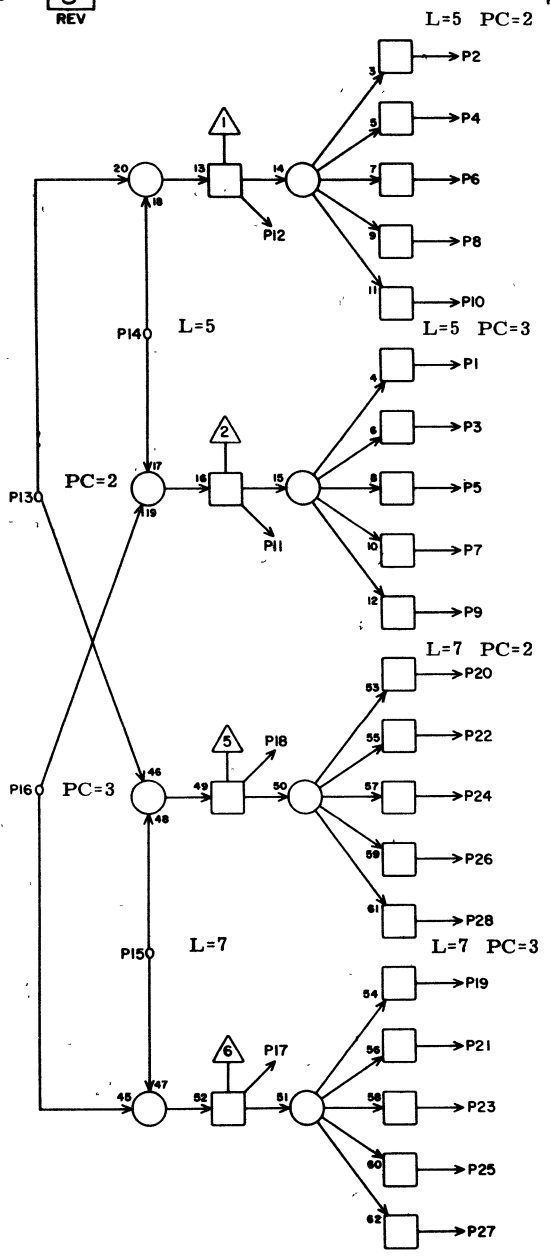
5C16



1	E01	26	17
2	B01	4	17
3	B02	26	17
4	B02	4	17
5	B03	26	15
6	B03	4	15
7	B04	26	15
8	B04	4	15
9	B05	26	13
10	B05	4	13
11	B17	25	5
12	B17	5	7
13	A20	11	13
14	A19	8	13
15	A19	5	13
16	A20	12	13
17	C19	25	5
18	C19	5	7
19	D01	26	19
20	D01	4	17
21	D02	26	17
22	D02	4	17
23	D03	26	17
24	D03	4	17
25	D04	26	15
26	D04	4	15
27	D05	26	15
28	D05	4	15

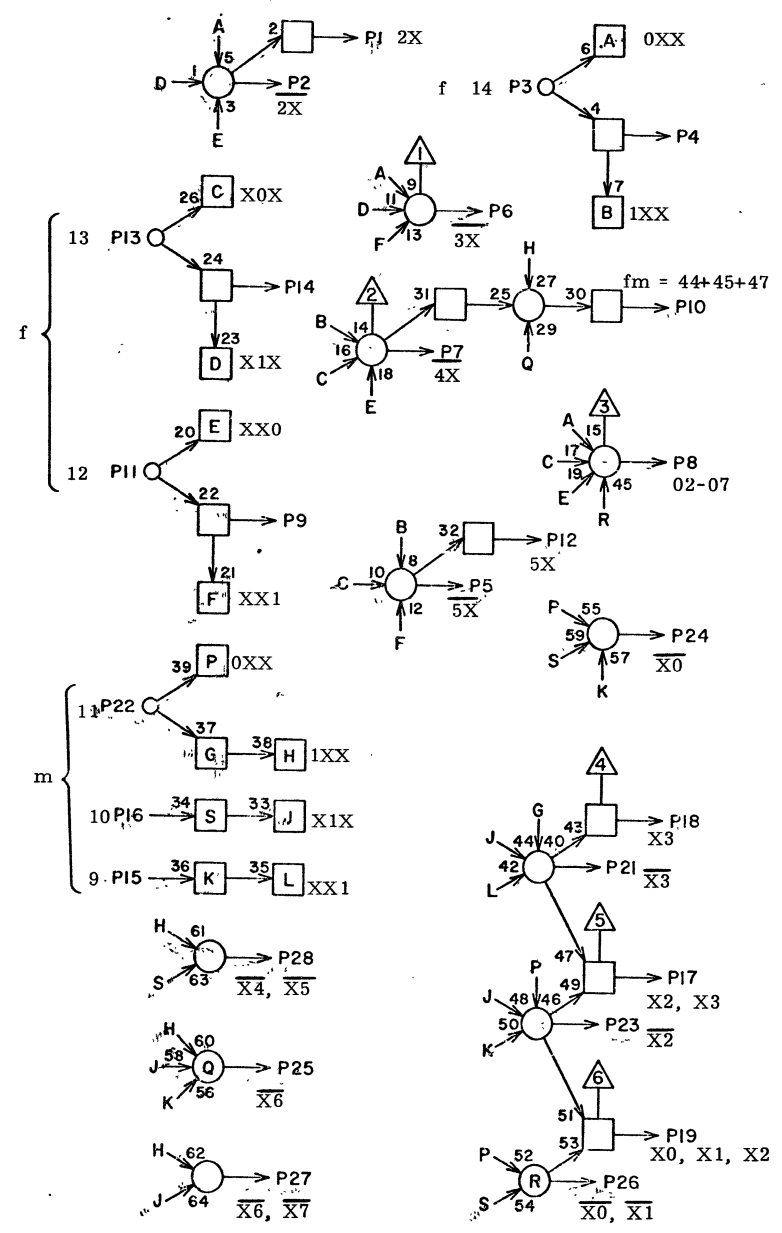
JACK PIN LG

60150800 Rev. B



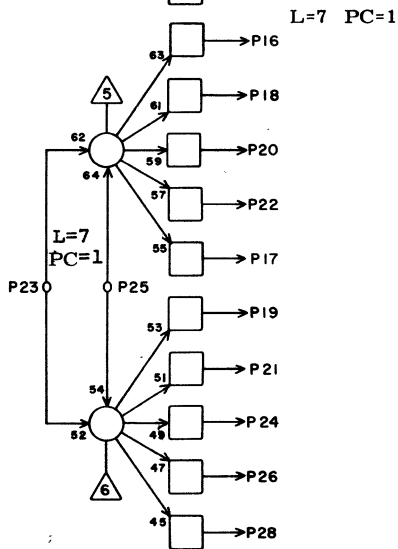
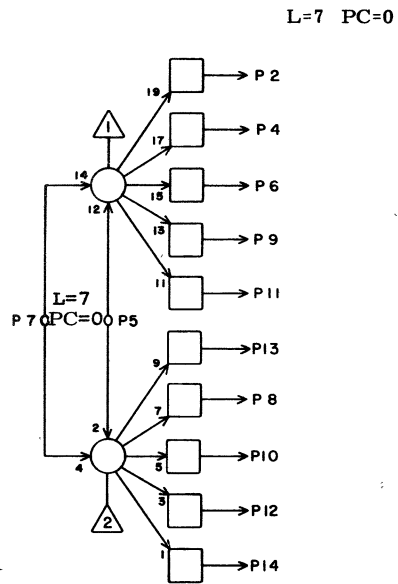
1	B01	7	19
2	B01	9	19
3	B02	7	17
4	B02	9	17
5	B03	7	17
6	B03	9	17
7	B04	7	15
8	B04	9	15
9	B05	7	15
10	B05	9	15
11	B18	25	5
12	B18	5	7
13	A20	19	13
14	A19	9	13
15	A19	7	13
16	A20	22	13
17	C20	25	7
18	C20	5	5
19	D01	7	19
20	D01	9	19
21	D02	7	17
22	D02	9	17
23	D03	7	17
24	D03	9	17
25	D04	7	17
26	D04	9	17
27	D05	7	15
28	D05	9	15

JACK PIN LG
CIRCUIT SPECIFICATION 11827600



1	F31	3	19
2	C23	19	7
3	E22	21	13
4	C23	14	7
5	C23	16	7
6	F32	2	19
7	F31	25	21
8	E14	12	13
9	C23	15	7
10	G37	13	25
11	E20	21	13
12	O19	5	47
13	E21	21	13
14	C23	10	7
15	D25	21	13
16	E18	21	13
17	C23	9	7
18	C23	24	7
19	F31	27	21
20			
21	F32	19	21
22	E19	21	11
23			
24	F31	7	19
25	F31	5	19
26	G40	26	35
27	F32	15	21
28	F31	9	19

JACK PIN LG
SEE CIRCUIT SPECIFICATION 11827600

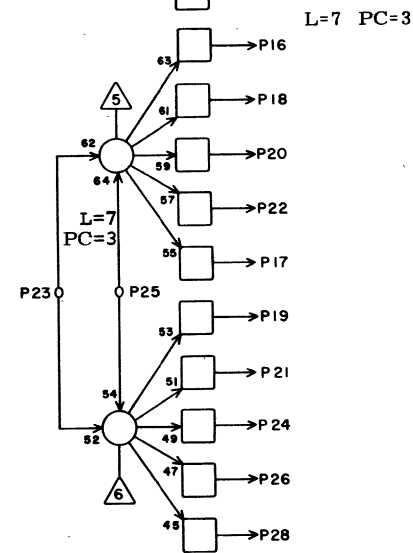
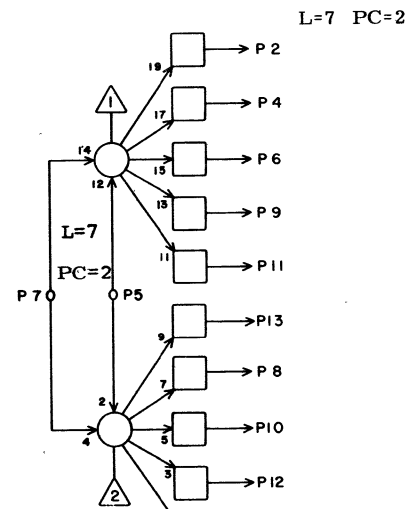


HC **5C19**

1			
2	D06	4	15
3			
4	D07	4	15
5	C16	18	7
6	D08	4	15
7	GRD	X	2
8	D12	4	11
9	D09	4	15
10	D13	4	11
11	D10	4	13
12	D14	4	9
13	D11	4	13
14	D15	4	7
15			
16	D06	26	15
17	D10	26	13
18	D07	26	15
19	D11	26	13
20	D08	26	15
21	D12	26	13
22	D09	26	15
23	GRD	X	2
24	D13	26	11
25	C16	17	5
26	D14	26	7
27			
28	D15	26	17

JACK PIN LG

60150800 Rev. B

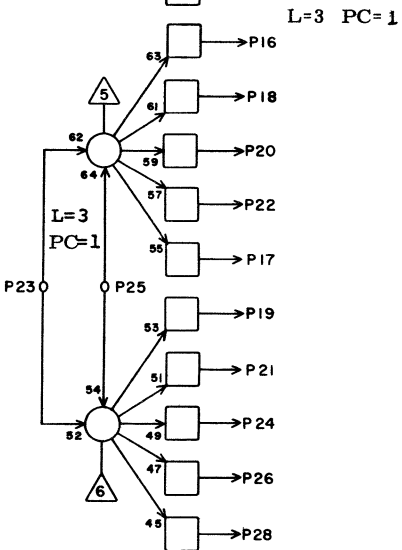
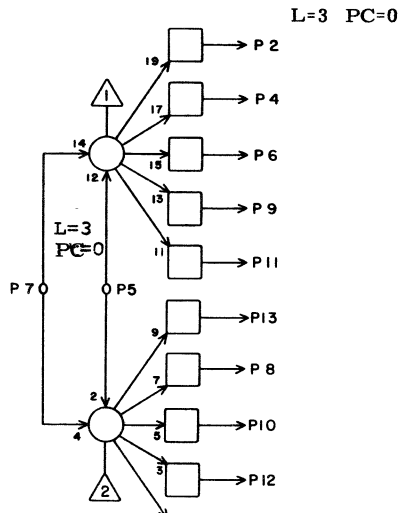


HC **5C20**

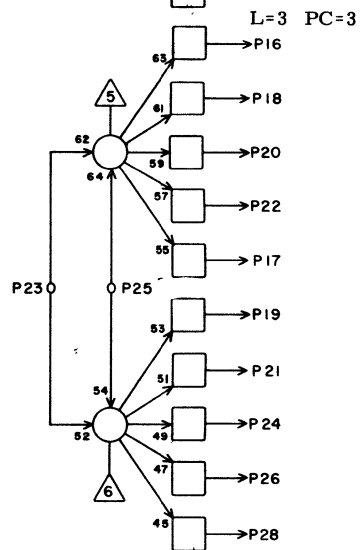
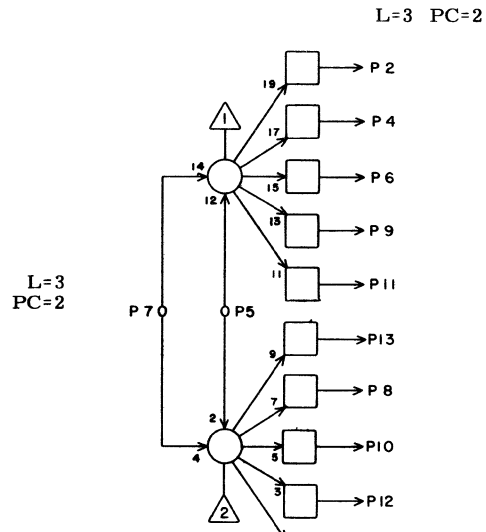
1			
2	D06	9	17
3			
4	D07	9	15
5	C17	18	5
6	D08	9	15
7	GRD	X	2
8	D12	9	13
9	D09	9	15
10	D13	9	11
11	D10	9	13
12	D14	9	9
13	D11	9	13
14	D15	9	9
15			
16	D06	7	17
17	D10	7	13
18	D07	7	15
19	D11	7	13
20	D08	7	15
21	D12	7	13
22	D09	7	15
23	GRD	X	2
24	D13	7	11
25	C17	17	7
26	D14	7	9
27			
28	D15	7	9

JACK PIN LG

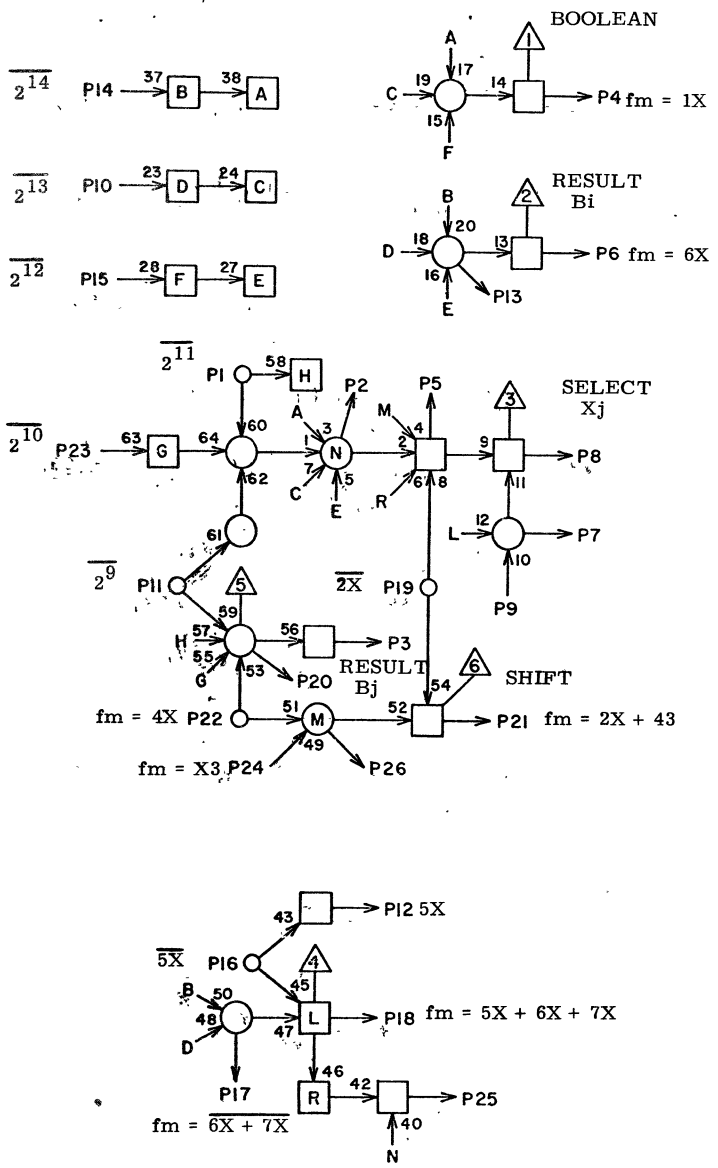
60150800 Rev. B



HC		5C21	
JACK	PIN	LG	
1			
2	D31	4	13
3			
4	D32	4	15
5	C24	18	5
6	D33	4	15
7	GRD	X	2
8	D37	4	17
9	D34	4	15
10	D38	4	19
11	D35	4	17
12	D39	4	19
13	D36	4	17
14	D40	4	21
15			
16	D31	26	15
17	D35	26	17
18	D32	26	15
19	D36	26	17
20	D33	26	15
21	D37	26	19
22	D34	26	17
23	GRD	X	2
24	D38	26	19
25	C24	17	5
26	D39	26	19
27			
28	D40	26	21

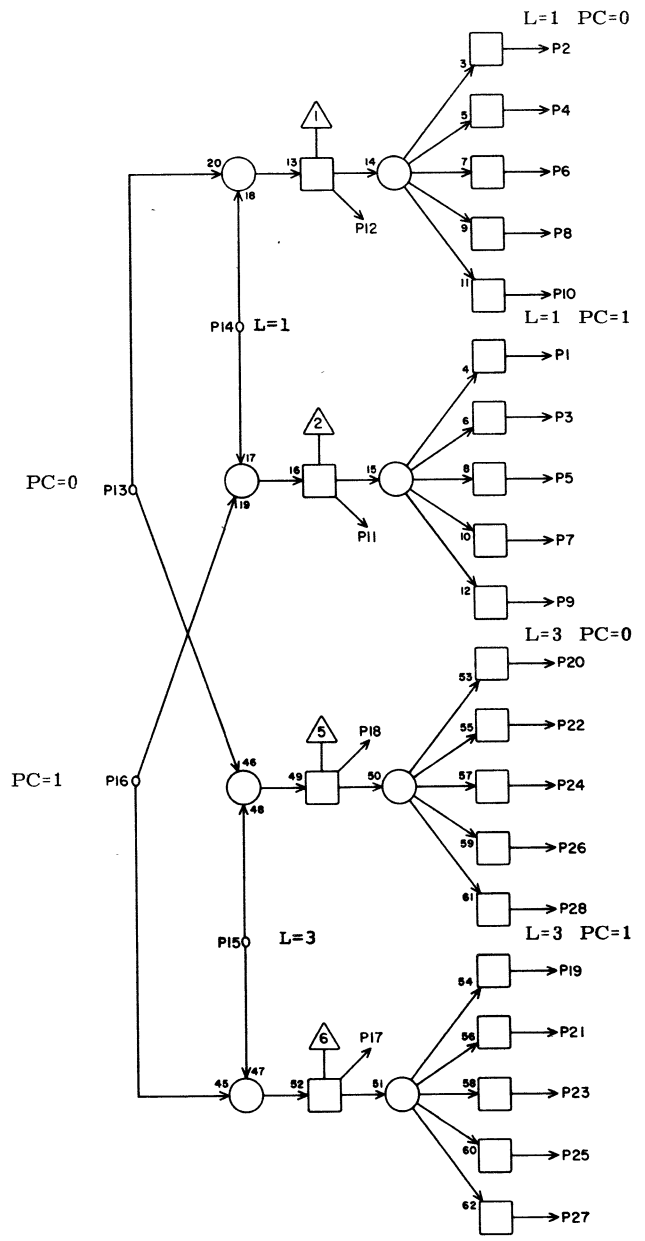


HC		5C22	
JACK	PIN	LG	
1			
2	D31	9	13
3			
4	D32	9	13
5	C25	18	5
6	D33	9	15
7	GRD	X	2
8	D37	9	17
9	D34	9	15
10	D38	9	19
11	D35	9	15
12	D39	9	19
13	D36	9	17
14	D40	9	19
15			
16	D31	7	13
17	D35	7	15
18	D32	7	13
19	D36	7	17
20	D33	7	15
21	D37	7	19
22	D34	7	15
23	GRD	X	2
24	D38	7	17
25	C25	17	5
26	D39	7	19
27			
28	D40	7	19



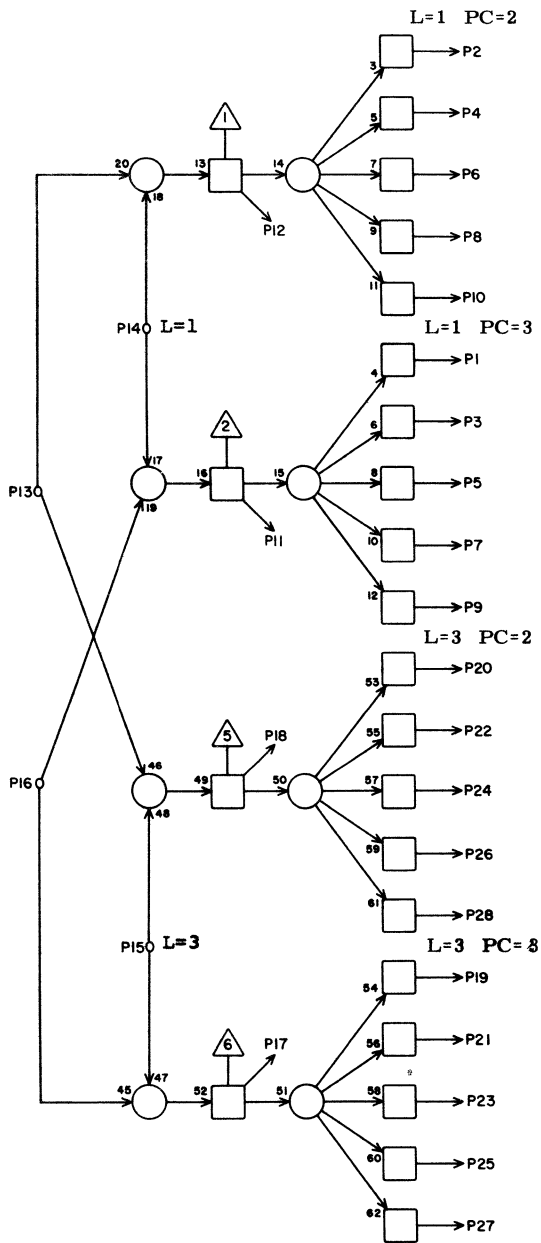
1	E19	27	13
2	F22	22	15
3	H36	17	25
4	H36	14	25
5	F31	17	17
6	F24	12	15
7	F31	16	17
8	H26	12	23
9	C18	17	7
10	C18	14	7
11	D25	27	7
12	F32	27	19
13	F32	6	17
14	C18	4	7
15	C18	9	7
16	C18	5	7
17	F32	24	19
18	F31	19	17
19	C18	2	7
20	F32	10	17
21	G37	14	23
22	F31	26	17
23	E18	27	13
24	C18	18	7
25	F31	23	25
26			
27			
28			

JACK PIN LG
 SEE CIRCUIT SPECIFICATION
 I1827600



1	B26	26	5
2	B26	4	7
3	B27	26	7
4	B27	4	7
5	B28	26	7
6	B28	4	9
7	B29	26	9
8	B29	4	9
9	B30	26	9
10	B30	4	11
11	B21	25	7
12	B21	5	7
13	A20	7	13
14	A19	27	13
15	A19	11	13
16	A20	10	13
17	C21	25	5
18	C21	5	5
19	D26	26	7
20	D26	4	7
21	D27	26	7
22	D27	4	7
23	D28	26	9
24	D28	4	7
25	D29	26	9
26	D29	4	7
27	D30	26	9
28	D30	4	9

JACK PIN LG

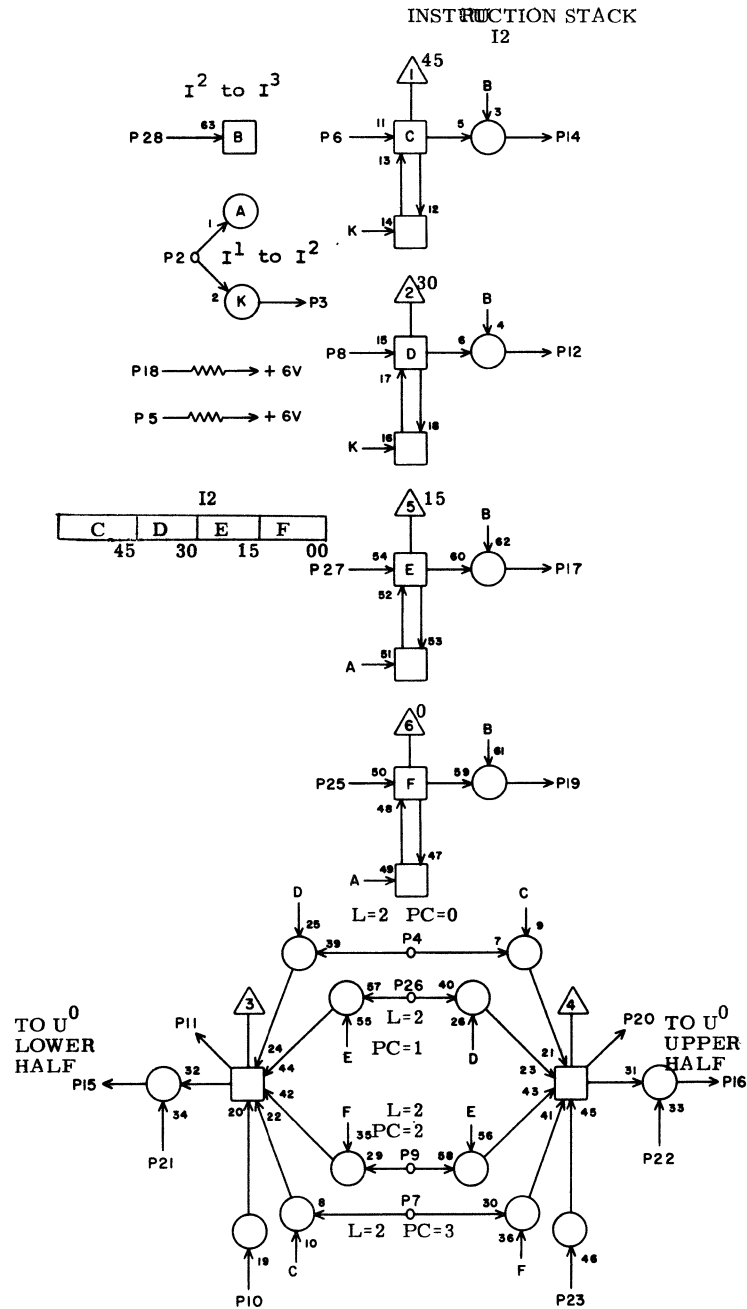


HB 5C25

1	B26	7	7
2	B26	9	7
3	B27	7	7
4	B27	9	7
5	B28	7	21
6	B28	9	9
7	B29	7	9
8	B29	9	9
9	B30	7	11
10	B30	9	11
11	B22	25	7
12	B22	5	7
13	A20	20	13
14	A19	25	13
15	A19	24	13
16	A20	24	13
17	C22	25	5
18	C22	5	5
19	D26	7	5
20	D26	9	5
21	D27	7	5
22	D27	9	7
23	D28	7	7
24	D28	9	7
25	D29	7	7
26	D29	9	7
27	D30	7	7
28	D30	9	7

JACK PIN LG

60150800 Rev. B



5C26

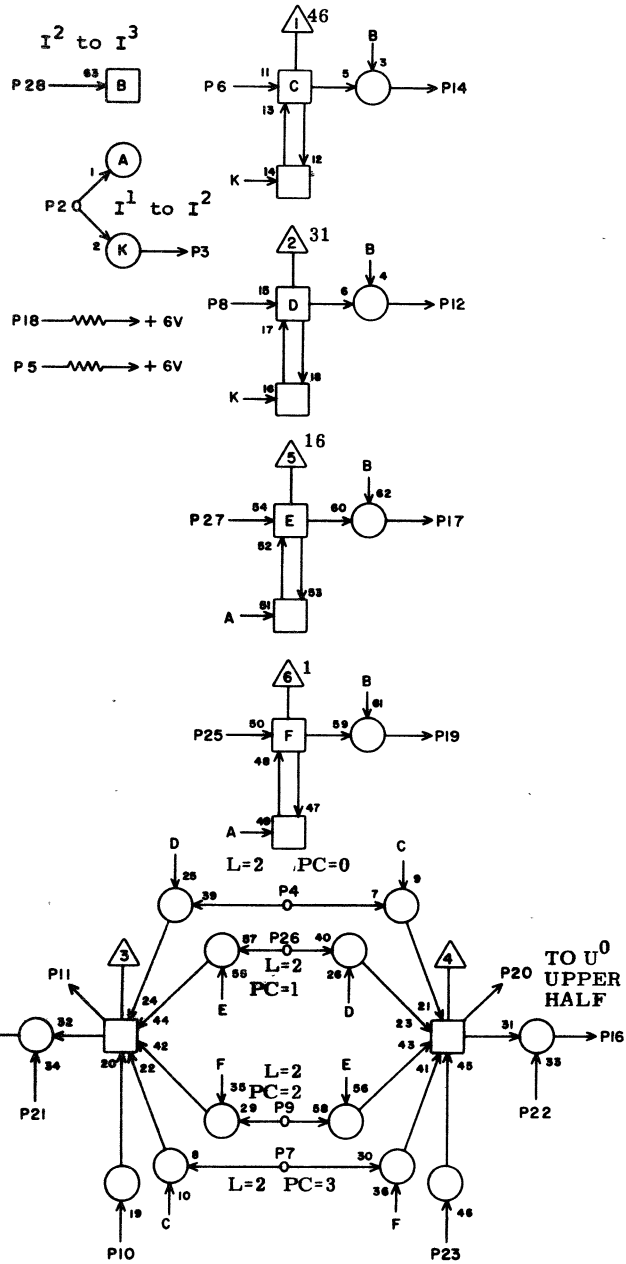
IA 5C26

1			
2	E24	15	13
3	B26	28	5
4	A25	20	11
5	I36	14	29
6	B26	14	7
7	B25	19	5
8	B26	12	7
9	B25	20	5
10	A26	11	11
11			
12	D26	8	5
13			
14	D26	6	5
15	D16	11	13
16			
17	D26	27	7
18	C26	23	3
19	D26	25	7
20	A26	23	11
21	D16	15	13
22			
23	C26	18	3
24			
25	B26	19	7
26	A25	19	13
27	B26	17	7
28	D26	3	5

JACK PIN LG

60150800 Rev. B

INSTRUCTION STACK
I2

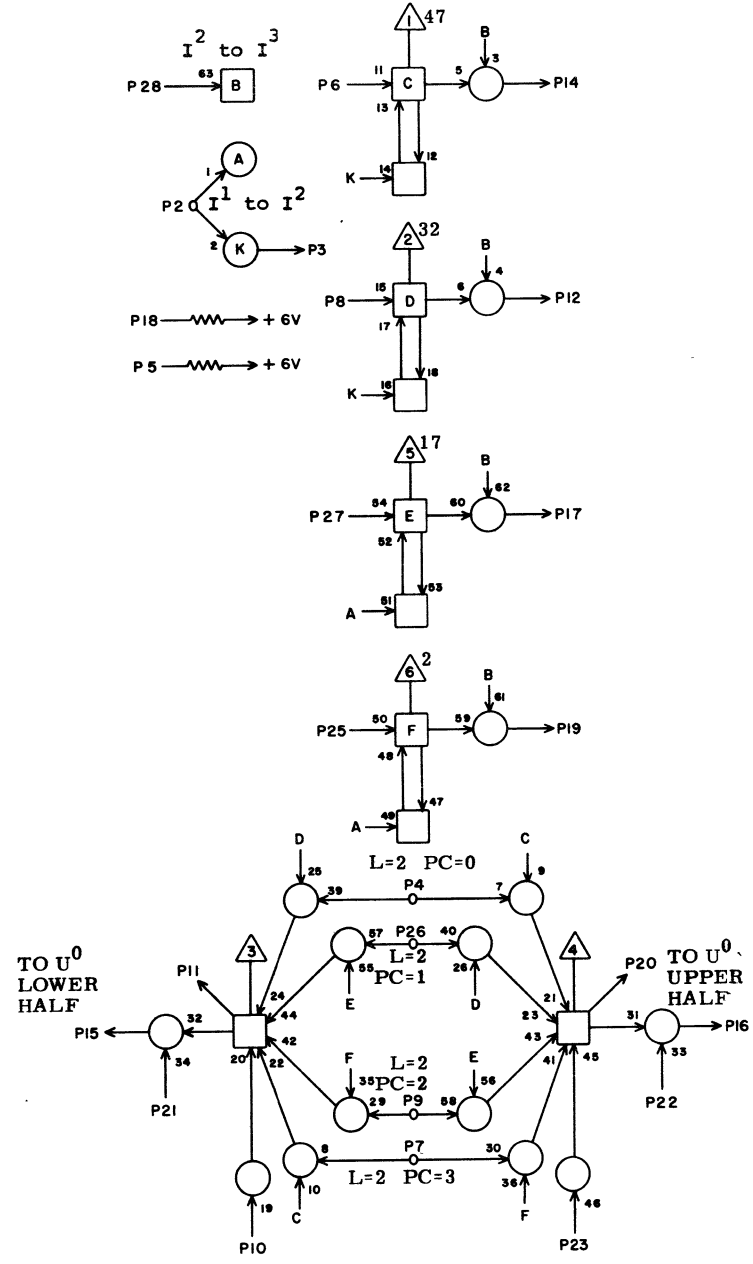


IA 5C27

1			
2	E24	7	13
3	B27	28	5
4	A25	22	11
5			
6	B27	14	5
7	B25	21	5
8	B27	12	5
9	B25	22	7
10	A27	11	11
11			
12	D27	8	5
13			
14	D27	6	5
15	D17	11	15
16			
17	D27	27	7
18	C27	23	3
19	D27	25	7
20	A27	23	11
21	D17	15	15
22			
23	C27	18	3
24			
25	B27	19	7
26	A25	21	13
27	B27	17	7
28	D27	3	5
	JACK	PIN	LG

60150800 Rev. B

INSTRUCTION STACK
I2

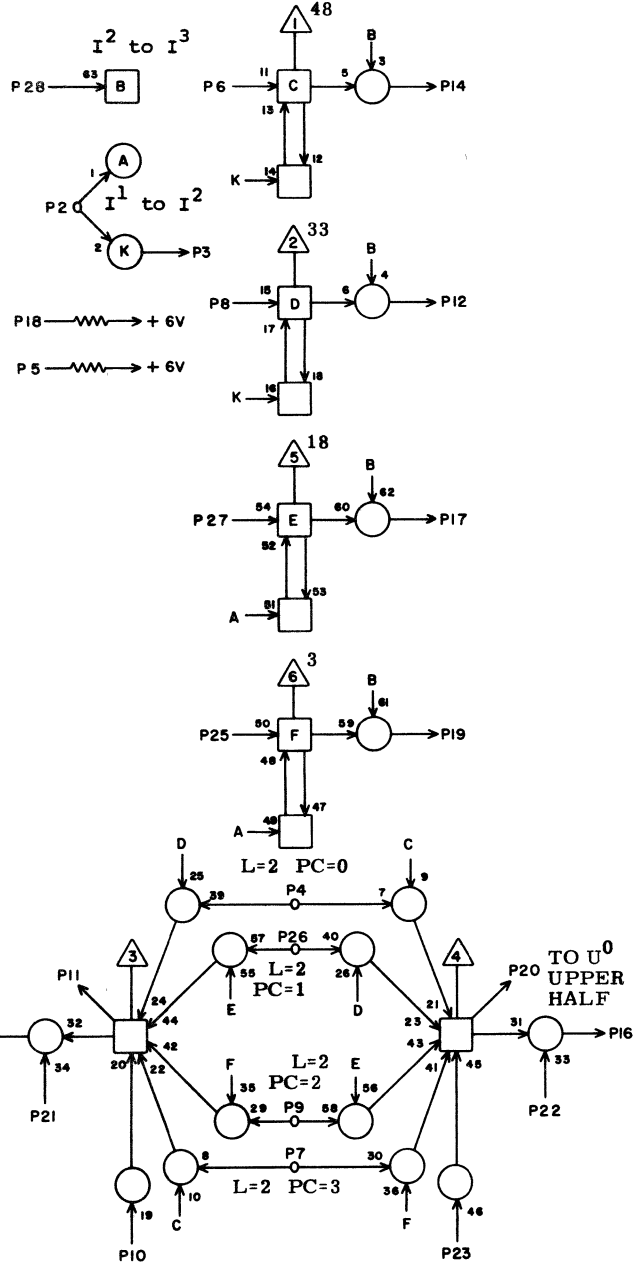


IA 5C28

1			
2	E24	6	13
3	B28	28	5
4	A25	24	11
5	I36	16	29
6	B28	14	5
7	B25	23	7
8	B28	12	5
9	B25	24	7
10	A28	11	11
11			
12	D28	8	5
13			
14	D28	6	5
15	D18	11	13
16			
17	D28	27	7
18	C28	23	3
19	D28	25	7
20	A28	23	11
21	D18	15	13
22			
23	C28	18	3
24			
25	B28	19	7
26	A25	23	13
27	B28	17	7
28	D28	3	5
	JACK	PIN	LG

60150800 Rev. B

INSTRUCTION STACK
I2

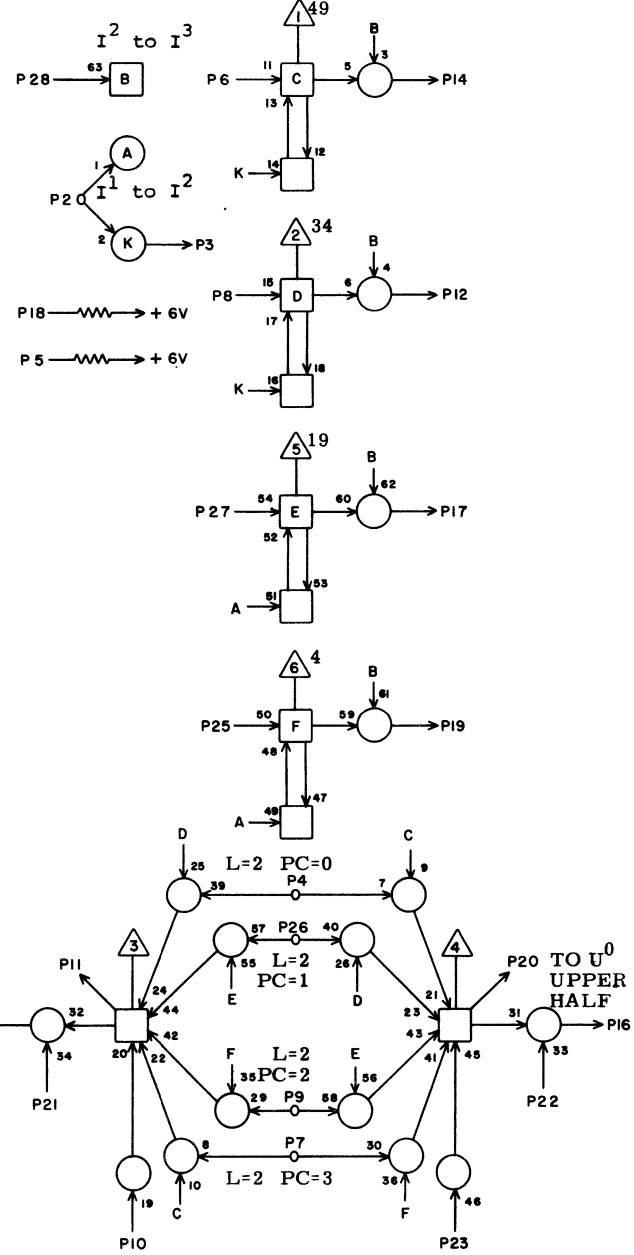


IA 5C29

1			
2	E24	4	13
3	B29	28	5
4	A25	26	11
5	J38	14	31
6	B29	14	5
7	B25	25	7
8	B29	12	5
9	B25	26	7
10	A29	11	11
11			
12	D29	8	5
13			
14	D29	6	5
15	D19	11	13
16			
17	D29	27	7
18	C29	23	3
19	D29	25	7
20	A29	23	11
21	D19	15	13
22			
23	C29	18	3
24			
25	B29	19	7
26	A25	25	13
27	B29	17	7
28	D29	3	5

JACK PIN LG
60150800 Rev. K

INSTRUCTION STACK
I2



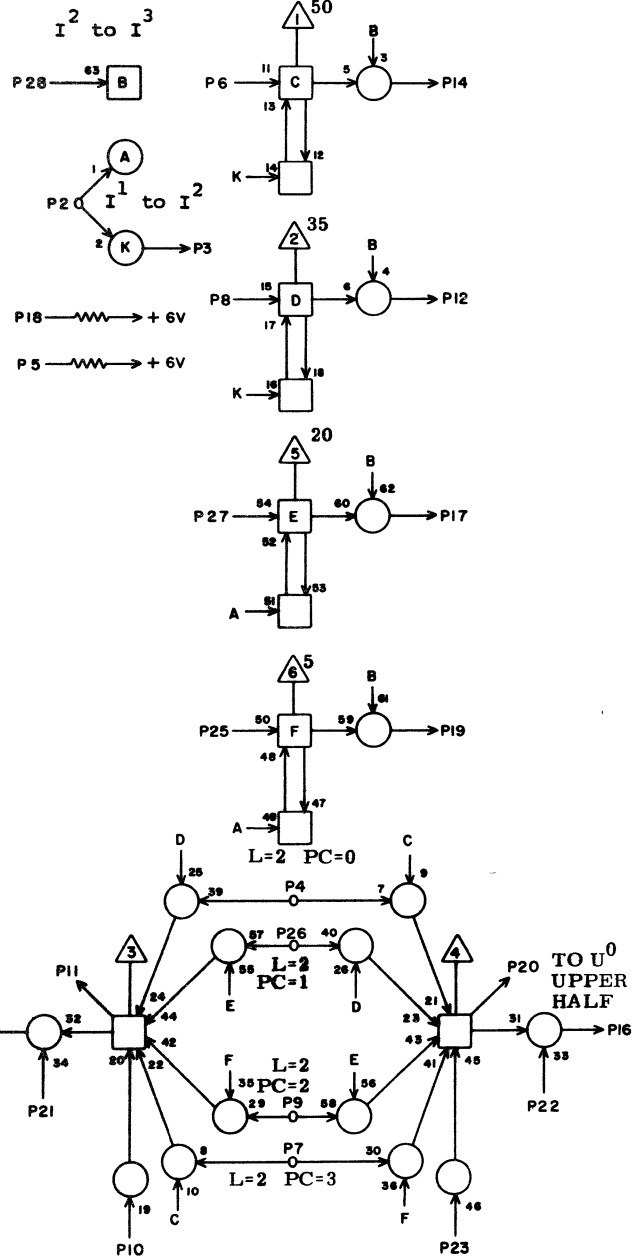
IA 5C30

1			
2	E24	9	13
3	B30	28	5
4	A25	28	11
5	J38	15	31
6	B30	14	5
7	B25	27	7
8	B30	12	5
9	B25	28	7
10	A30	11	11
11			
12	D30	8	5
13			
14	D30	6	5
15	D20	11	13
16			
17	D30	27	7
18	C30	23	3
19	D30	25	7
20	A30	23	11
21	D20	15	13
22			
23	C30	18	3
24			
25	B30	19	7
26	A25	27	13
27	B30	17	7
28	D30	3	5

JACK PIN LG
60150800 Rev. B

5C30

INSTRUCTION STACK
I2



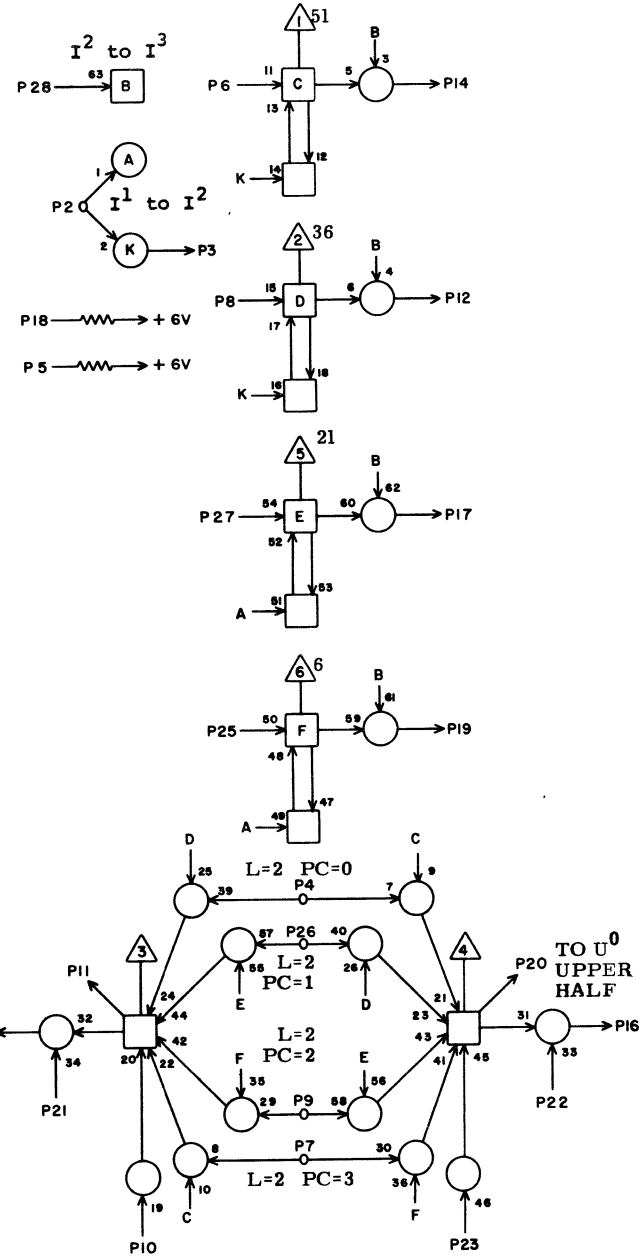
IA 5C31

1			
2	E24	11	15
3	B31	28	5
4	B23	2	11
5	J38	13	31
6	B31	14	7
7	B24	16	13
8	B31	12	7
9	B24	2	13
10	A31	11	11
11			
12	D31	8	5
13			
14	D31	6	5
15	D21	11	13
16			
17	D31	27	9
18	C31	23	3
19	D31	25	7
20	A31	23	11
21	D21	15	13
22			
23	C31	18	3
24			
25	B31	19	7
26	B23	16	13
27	B31	17	7
28	D31	3	5

JACK PIN LG

60150800 Rev. B

INSTRUCTION STACK
I2



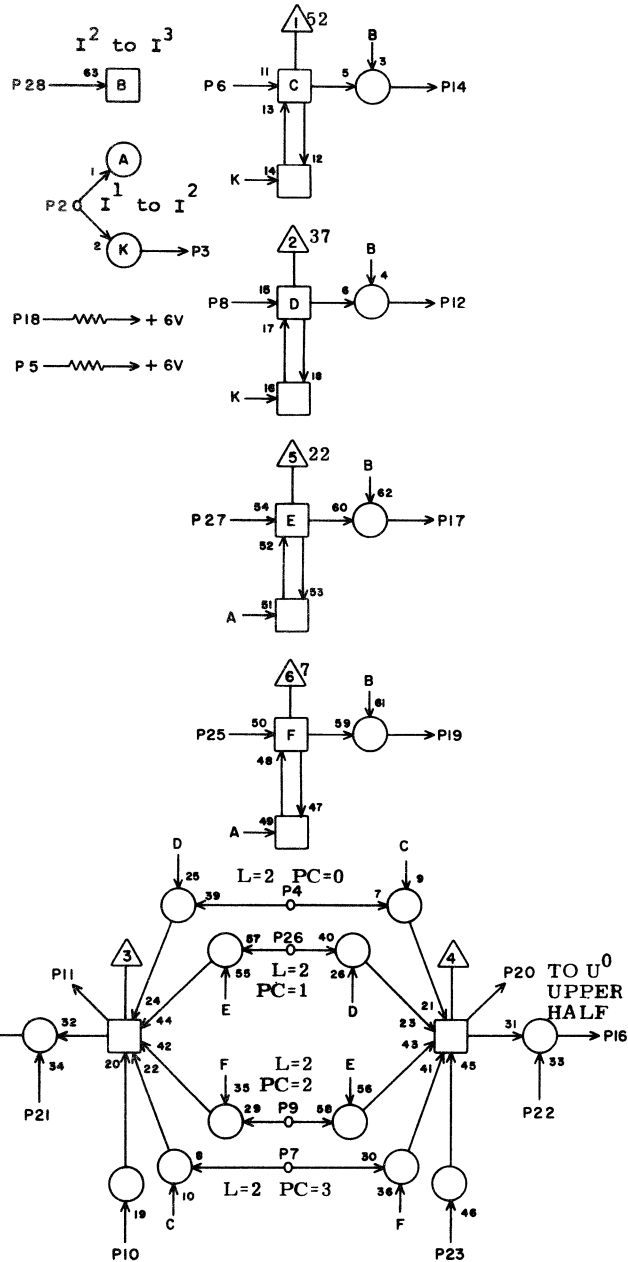
IA 5C32

1			
2	E24	13	15
3	B32	28	5
4	B23	4	13
5	J38	16	31
6	B32	14	5
7	B24	18	13
8	B32	12	5
9	B24	4	13
10	A32	11	11
11			
12	D32	8	5
13			
14	D32	6	5
15	D22	11	13
16			
17	D32	27	7
18	C32	23	3
19	D32	25	7
20	A32	23	11
21	D22	15	13
22			
23	C32	18	3
24			
25	B32	19	7
26	B23	18	13
27	B32	17	7
28	D32	3	5

JACK PIN LG

60150800 Rev. E

INSTRUCTION STACK
I3

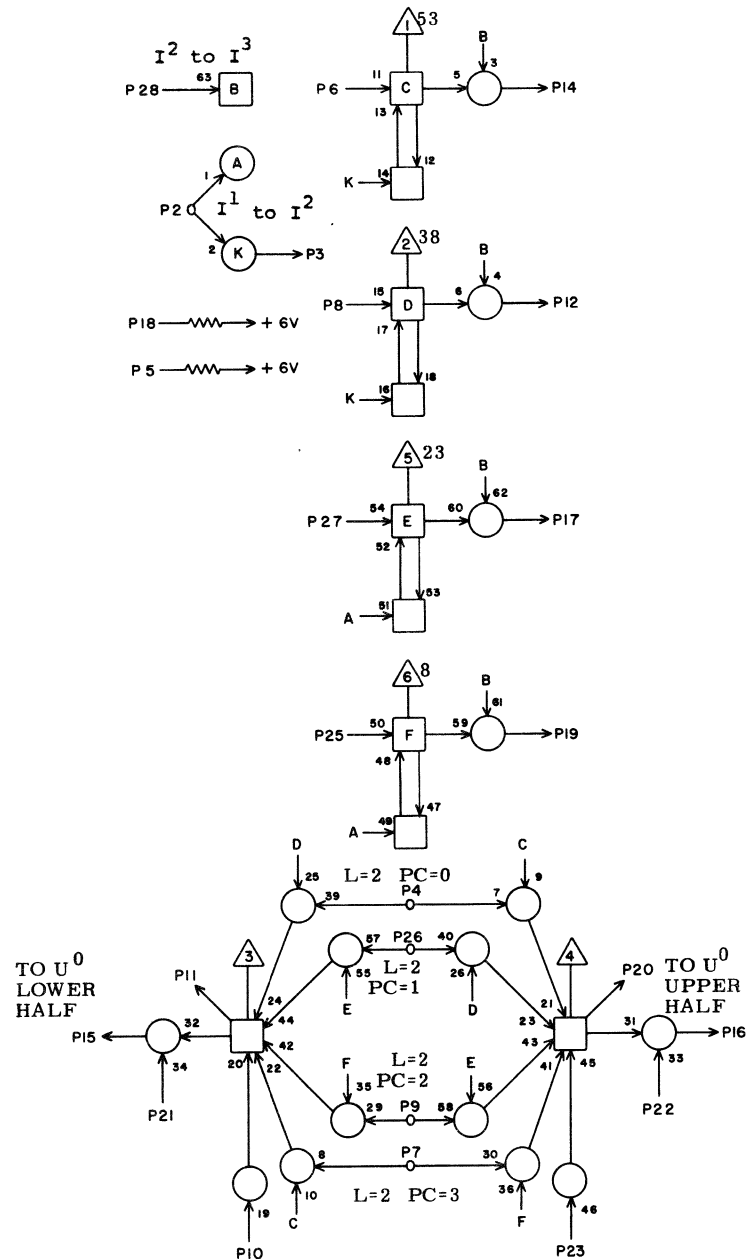


IA 5C33

1			
2	E24	1	13
3	B33	28	5
4	B23	6	13
5	J36	14	31
6	B33	14	7
7	B24	20	13
8	B33	12	5
9	B24	6	13
10	A33	11	11
11			
12	D33	8	5
13			
14	D33	6	5
15	D23	11	13
16			
17	D33	27	7
18	C33	23	3
19	D33	25	7
20	A33	23	11
21	D23	15	13
22			
23	C33	18	3
24			
25	B33	19	7
26	B23	20	13
27	B33	17	7
28	D33	3	5

JACK PIN LG

INSTRUCTION STACK
I4

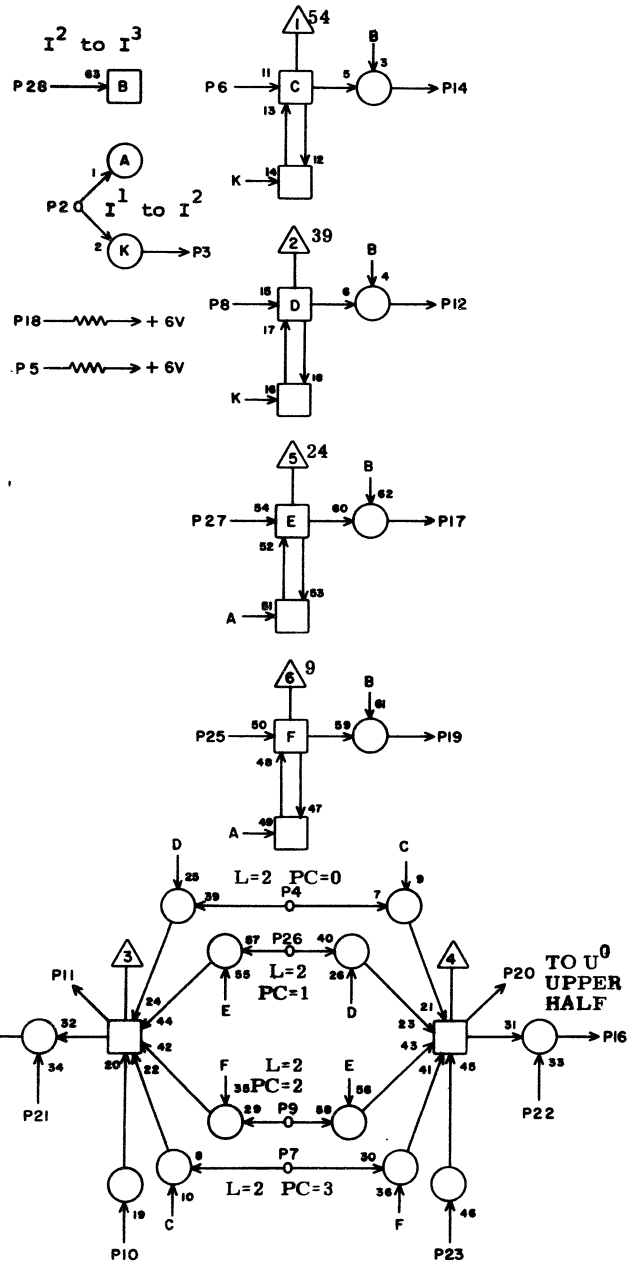


IA 5C34

1			
2	E24	8	15
3	B34	28	5
4	B23	9	13
5	M30	28	47
6	B34	14	5
7	B24	22	13
8	B34	12	5
9	B24	9	13
10	A34	11	11
11			
12	D34	8	5
13			
14	D34	6	5
15	D24	11	13
16			
17	D34	27	7
18	C34	23	3
19	D34	25	7
20	A34	23	11
21	D24	15	13
22			
23	C34	18	3
24			
25	B34	19	7
26	B23	22	15
27	B34	17	7
28	D34	3	5

JACK PIN LG

INSTRUCTION STACK
I2



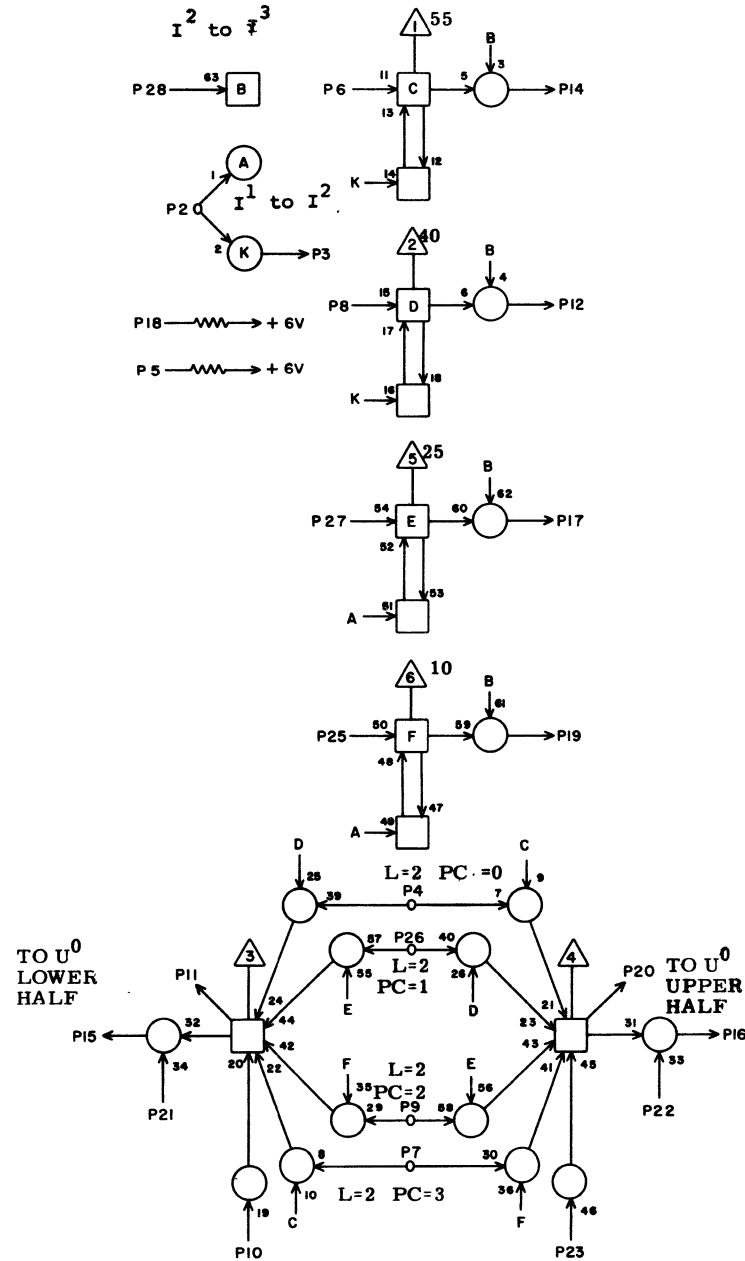
IA 5C35

1			
2	E24	10	17
3	B35	28	5
4	B23	11	17
5	M30	24	45
6	B35	14	5
7	B24	17	13
8	B35	12	5
9	B24	11	13
10	A35	11	11
11			
12	D35	8	5
13			
14	D35	6	5
15	D25	11	15
16			
17	D35	27	7
18	C35	23	3
19	D35	25	7
20	A35	23	11
21	D25	15	17
22			
23	C35	18	3
24			
25	B35	19	7
26	B23	17	15
27	B35	17	7
28	D35	3	5

JACK PIN LG

60150800 Rev. B

INSTRUCTION STACK
I2



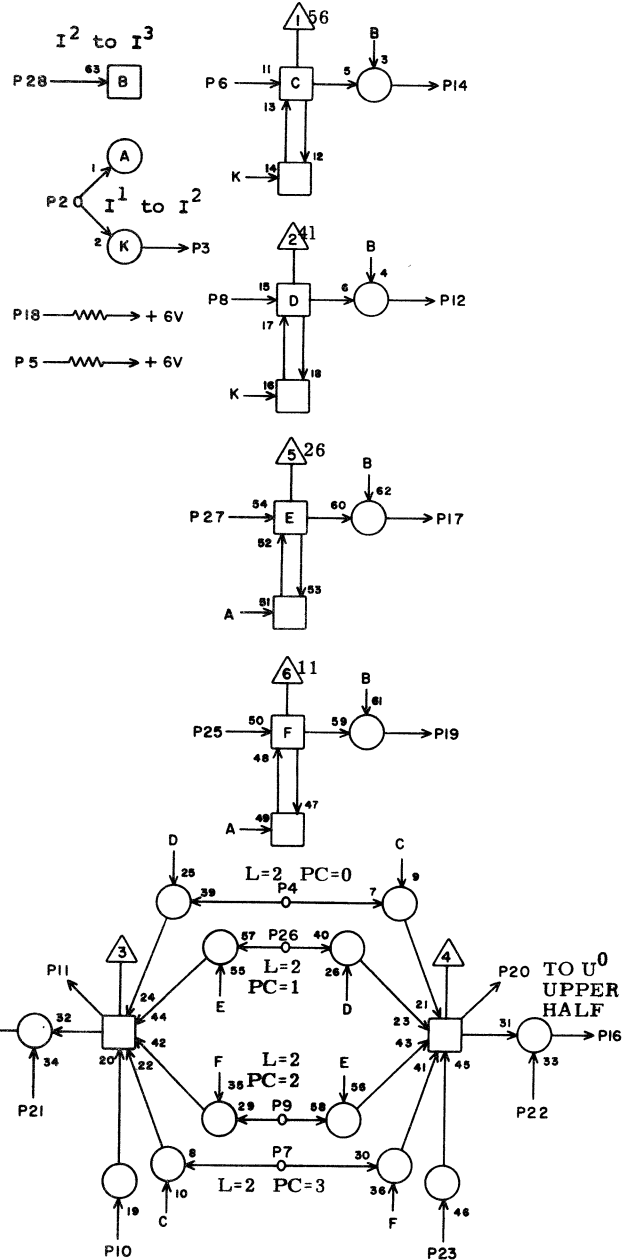
IA 5C36

1			
2	E24	12	17
3	B36	28	5
4	B23	13	15
5	M30	18	45
6	B36	14	5
7	B24	19	15
8	B36	12	5
9	B24	13	15
10	A36	11	11
11			
12	D36	8	5
13			
14	D36	6	5
15	E18	11	21
16			
17	D36	27	7
18	C36	23	3
19	D36	25	7
20	A36	23	11
21	E18	15	21
22			
23	C36	18	3
24			
25	B36	19	7
26	B23	19	15
27	B36	17	7
28	D36	3	5

JACK PIN LG

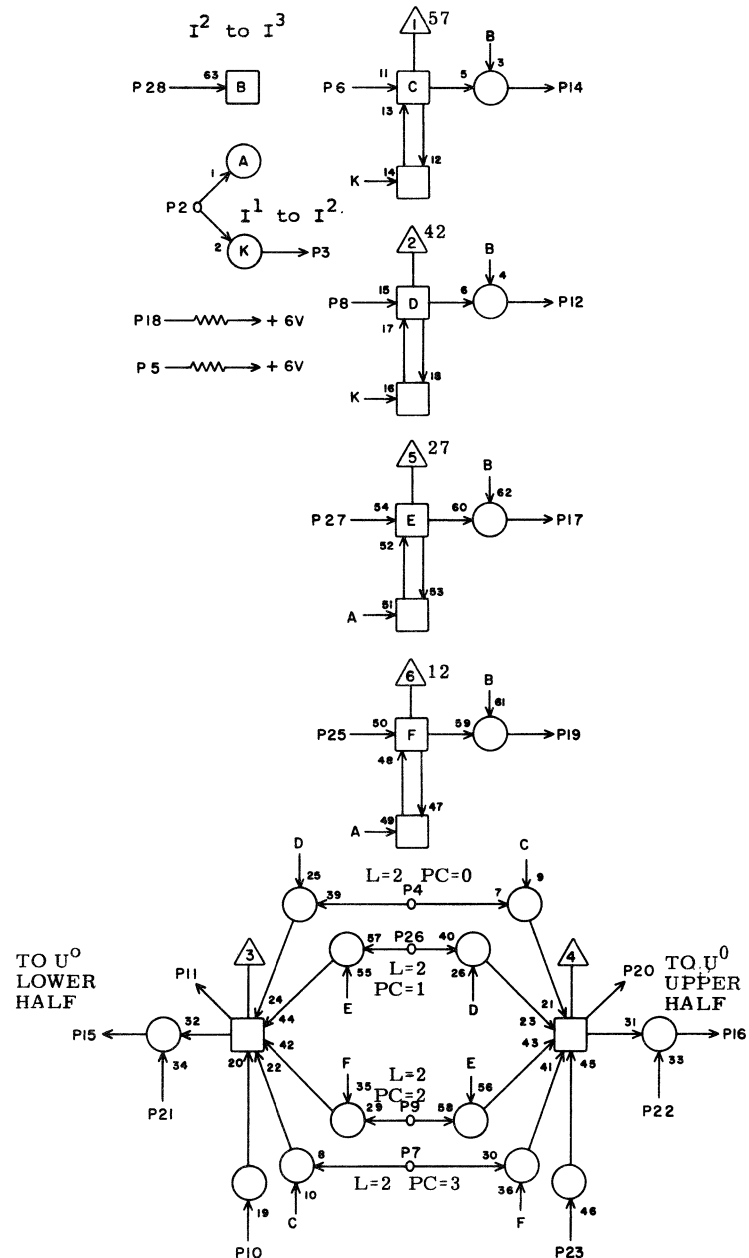
60150800 Rev. B

INSTRUCTION STACK
I2



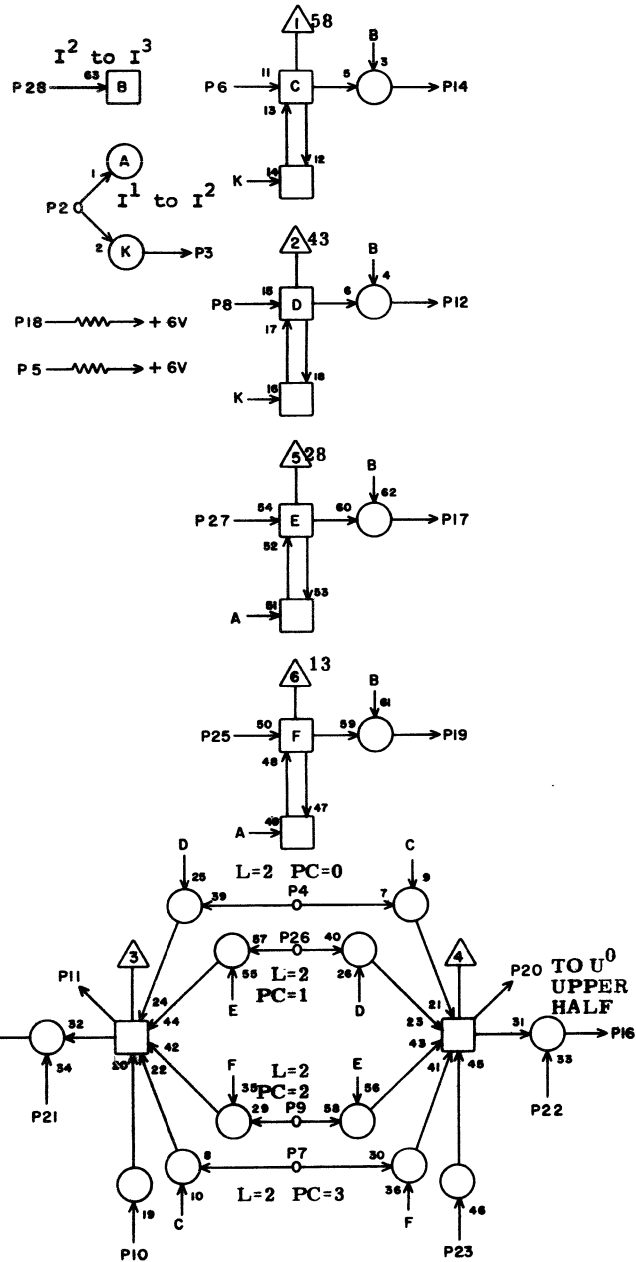
IA		5C37	
JACK	PIN	JACK	LG
1			
2	E24	2	17
3	B37	28	5
4	B23	8	17
5			
6	B37	14	5
7	B24	21	15
8	B37	12	5
9	B24	8	15
10	A37	11	11
11			
12	D37	8	5
13			
14	D37	6	5
15	E19	11	21
16			
17	D37	27	7
18	C37	23	3
19	D37	25	7
20	A37	23	11
21	E19	15	21
22			
23	C37	18	3
24			
25	B37	19	7
26	B23	21	17
27	B37	17	7
28	D37	3	5

INSTRUCTION STACK
I2



IA		5C38	
JACK	PIN	JACK	LG
1			
2	E25	16	19
3	B38	28	5
4	B23	10	17
5	J36	15	31
6	B38	14	5
7	B24	24	15
8	B38	12	5
9	B24	10	15
10	A38	11	11
11			
12	D38	8	5
13			
14	D38	6	5
15	E20	11	21
16			
17	D38	27	7
18	C38	23	3
19	D38	25	7
20	A38	23	11
21	E20	15	21
22			
23	C38	18	3
24			
25	B38	19	7
26	B23	24	17
27	B38	17	7
28	D38	3	5

INSTRUCTION STACK
I2



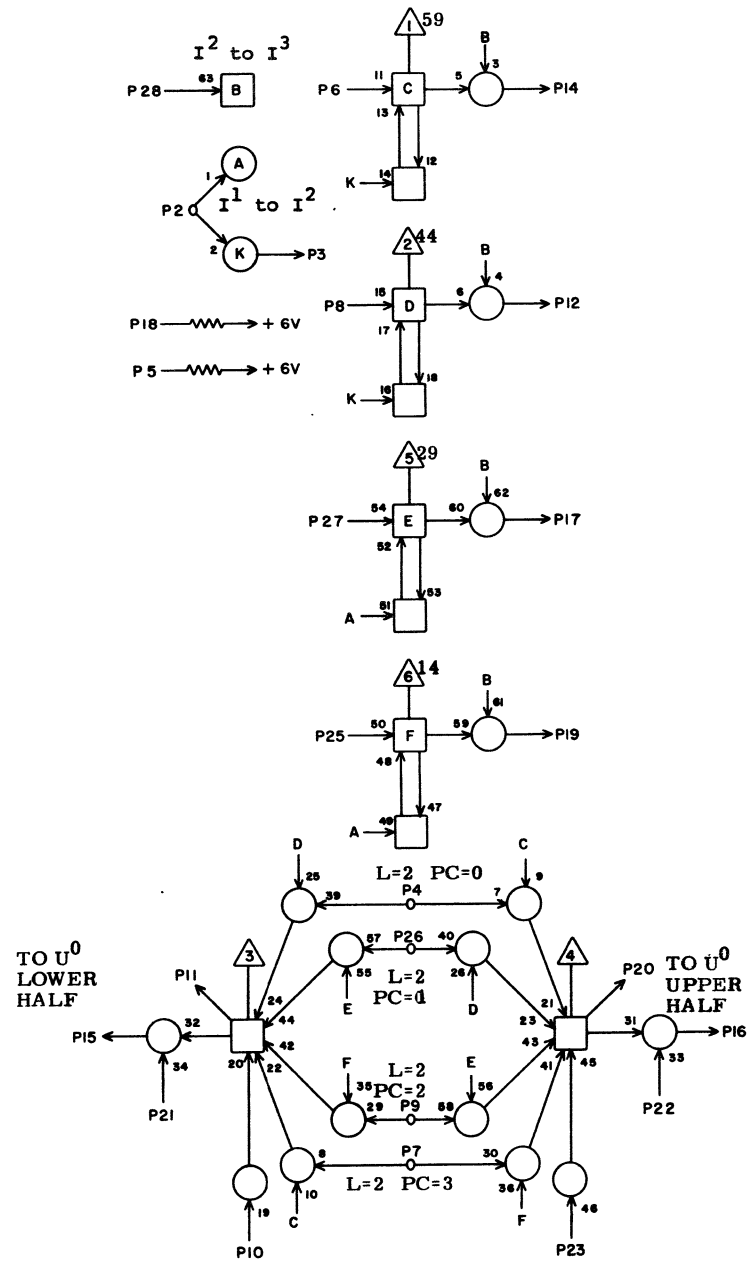
IA **5C39**

1			
2	E25	18	19
3	B39	28	5
4	B23	12	17
5	J36	13	29
6	B39	14	5
7	B24	26	17
8	B39	12	5
9	B24	12	17
10	A39	11	11
11			
12	D39	8	5
13			
14	D39	6	5
15	E21	11	21
16			
17	D39	27	7
18	C39	23	3
19	D39	25	7
20	A39	23	11
21	E21	15	21
22			
23	C39	18	3
24			
25	B39	19	7
26	B23	26	19
27	B39	17	7
28	D39	3	5

JACK PIN LG

60150800 Rev. B.

INSTRUCTION STACK
I2



IA **5C40**

1			
2	E25	20	19
3	B40	28	5
4	B23	14	19
5	J36	16	29
6	B40	14	5
7	B24	28	19
8	B40	12	5
9	B24	14	19
10	A40	11	11
11			
12	D40	8	5
13			
14	D40	6	5
15	E22	11	21
16			
17	D40	27	7
18	C40	23	3
19	D40	25	7
20	A40	23	11
21	E22	15	21
22			
23	C40	18	3
24			
25	B40	19	7
26	B23	28	19
27	B40	17	7
28	D40	3	5

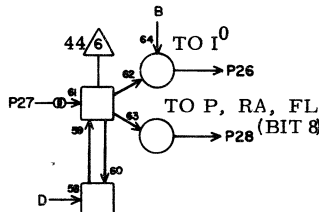
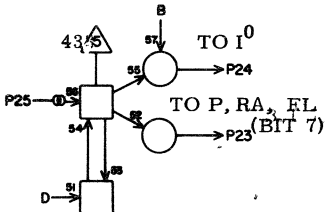
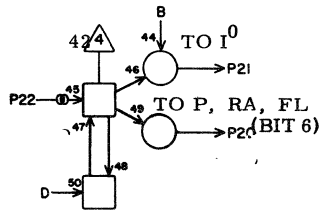
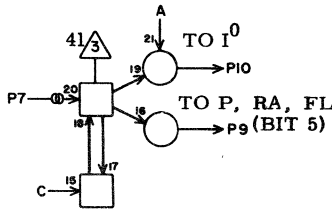
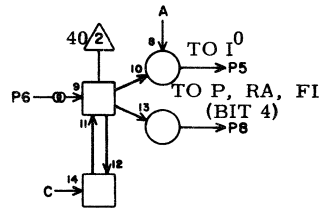
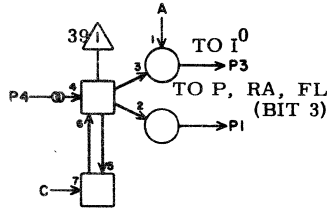
JACK PIN LG

60150800 Rev. B.

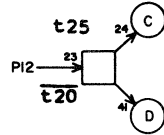
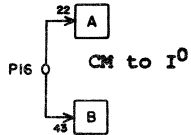
BUFFER INPUT REGISTER

IT

5C41



IN₃₉ - IN₄₄

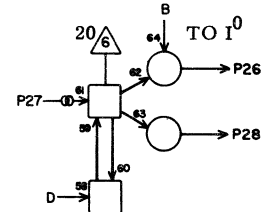
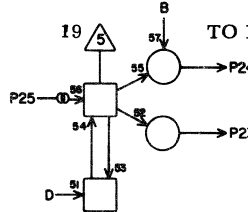
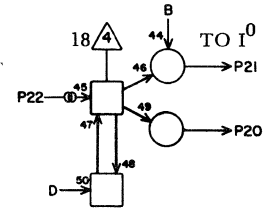
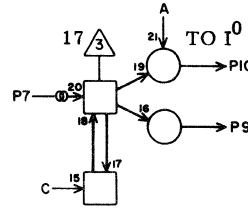
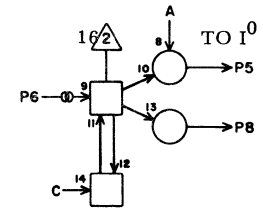
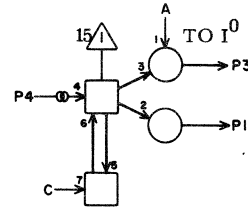


	JACK	PIN	LG
1	N32	3	43
2			
3	A35	8	13
4	W04	91	
5	A36	8	15
6	W04	92	
7	W04	93	
8	N33	25	43
9	N33	3	43
10	A37	8	13
11			
12	E29	9	17
13			
14			
15			
16	A30	3	17
17			
18			
19			
20	N34	25	43
21	A38	8	13
22	W04	94	
23	N34	3	43
24	A39	8	13
25	W04	95	
26	A40	8	13
27	W04	96	
28	N35	25	43

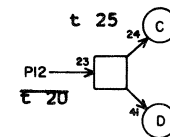
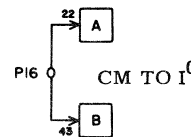
BUFFER INPUT REGISTER

IT

5C42

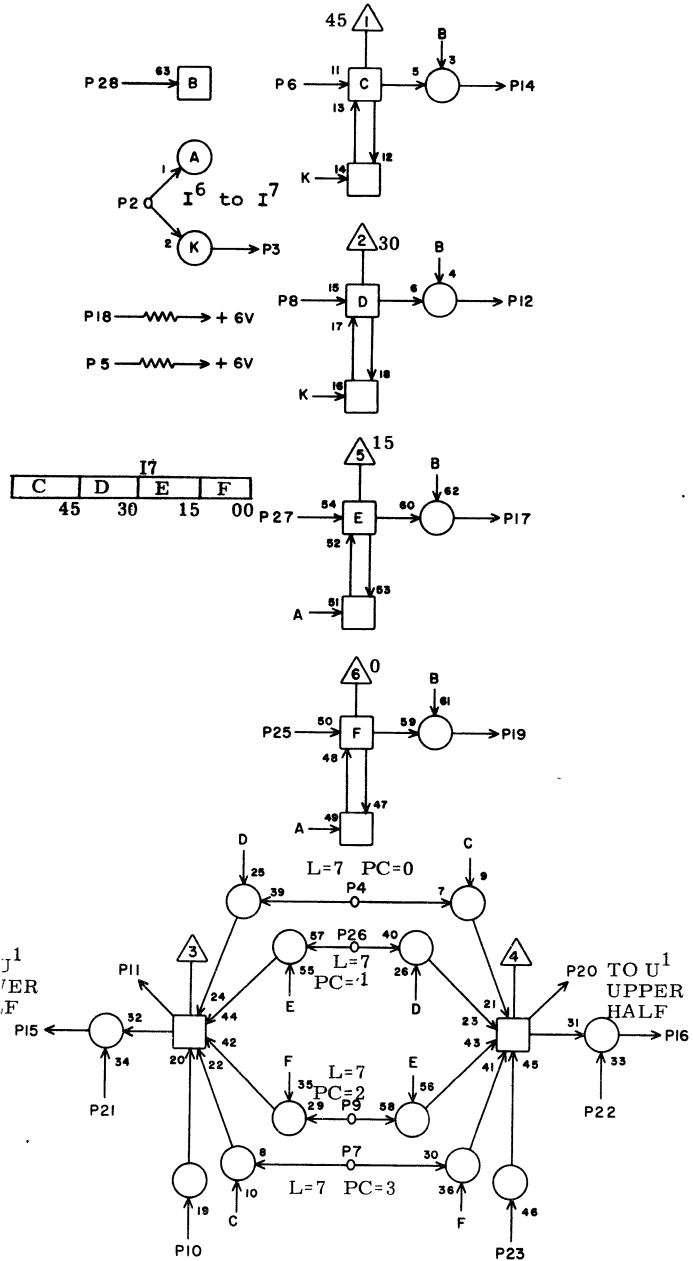


IN₁₅-IN₂₀



	JACK	PIN	LG
1			
2			
3	A26	27	19
4	W01	904	
5	A27	27	19
6	W01	905	
7	W01	906	
8			
9			
10	A28	27	19
11			
12	E29	11	17
13			
14			
15			
16	A31	3	17
17			
18			
19			
20			
21	A29	27	17
22	W01	907	
23			
24	A30	27	17
25	W01	900	
26	A31	27	17
27	W01	90	
28			

INSTRUCTION STACK
I7



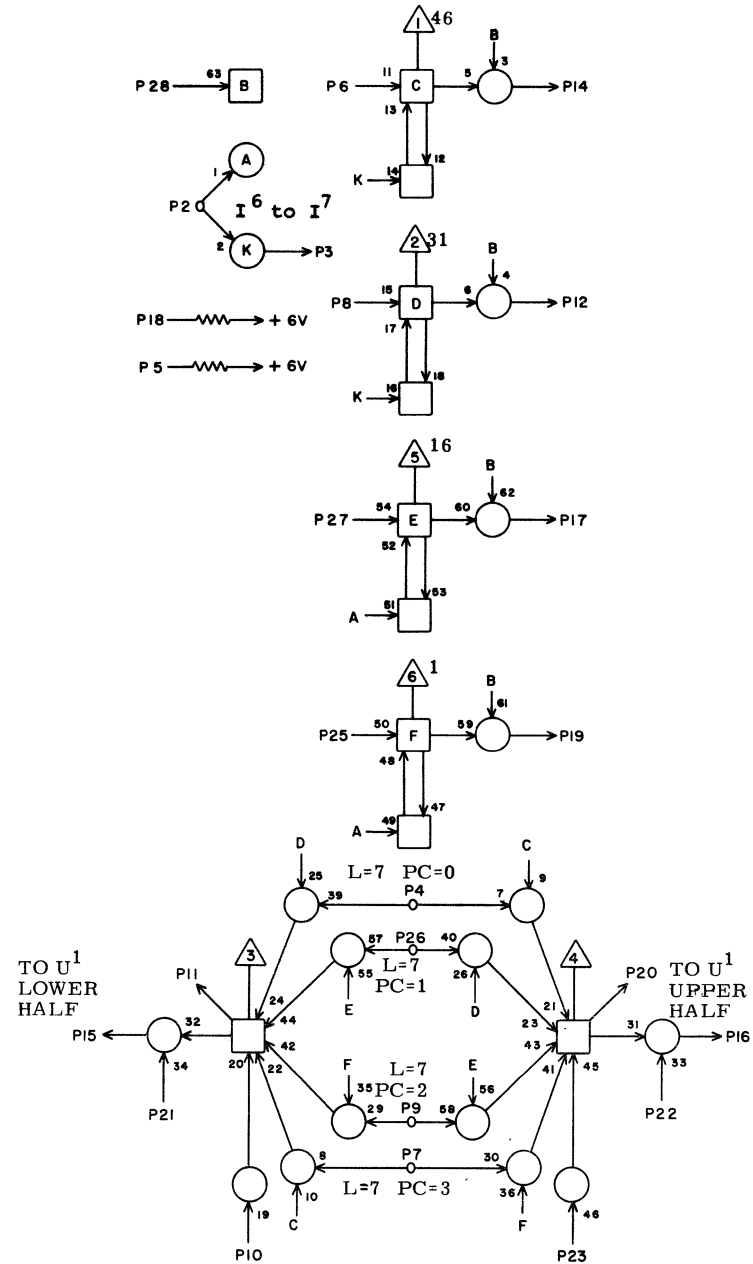
IA 5D 1

1			
2	E17	25	19
3	C01	28	5
4	C16	20	17
5			
6	C01	14	5
7	C17	19	19
8	C01	12	5
9	C17	20	19
10	B01	11	11
11			
12			
13			
14			
15	D16	1	17
16			
17			
18	D01	23	3
19			
20	B01	23	11
21	GRD	X	2
22			
23	D01	18	3
24			
25	C01	19	7
26	C16	19	19
27	C01	17	7
28			

JACK PIN LG

60150800 Rev. B

INSTRUCTION STACK
I7



IA 5D 2

1			
2	E17	23	19
3	C02	28	5
4	C16	22	17
5	O17	23	49
6	C02	14	5
7	C17	21	17
8	C02	12	5
9	C17	22	17
10	B02	11	11
11			
12			
13			
14			
15	D17	1	17
16			
17			
18	D02	23	3
19			
20	B02	23	11
21	GRD	X	2
22			
23	D02	18	3
24			
25	C02	19	7
26	C16	21	17
27	C02	17	7
28			

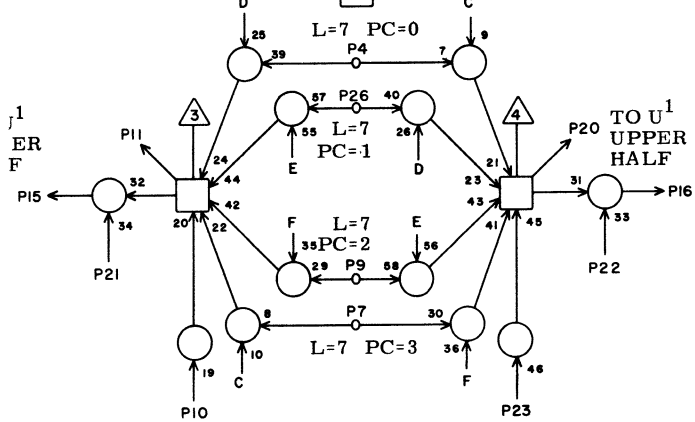
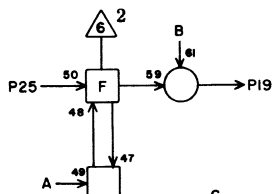
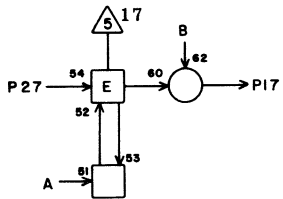
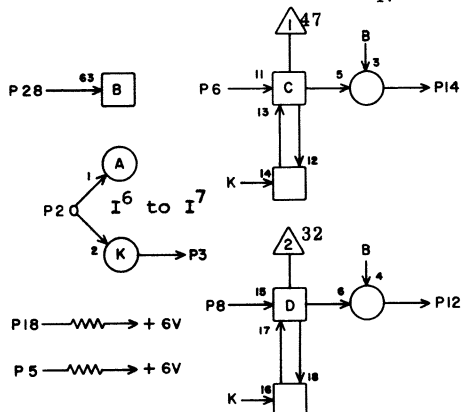
JACK PIN LG

60150800 Rev. BG

5D2

INSTRUCTION STACK

I7



IA

5D 3

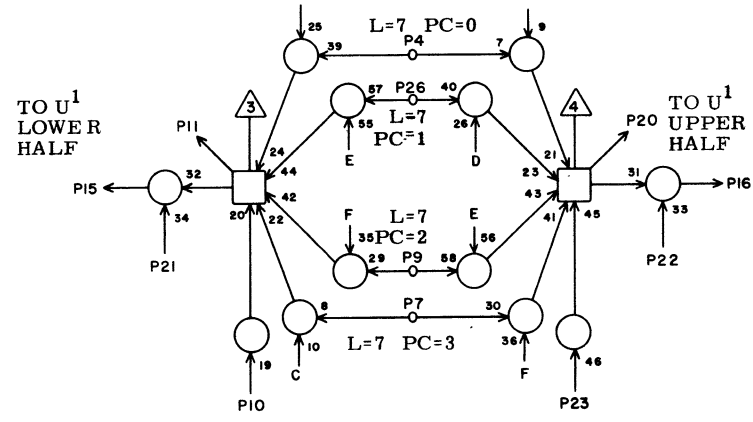
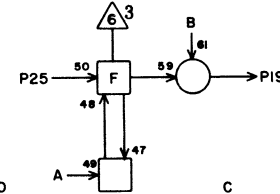
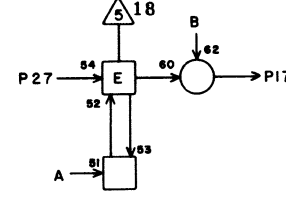
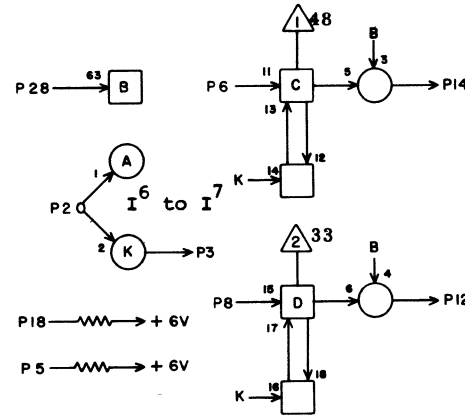
1			
2	E17	26	17
3	C03	28	5
4	C16	24	17
5			
6	C03	14	5
7	C17	23	17
8	C03	12	5
9	C17	24	17
10	B03	11	11
11			
12			
13			
14			
15	D18	1	17
16			
17			
18	D03	23	3
19			
20	B03	23	11
21	GRD	X	2
22			
23	D03	18	3
24			
25	C03	19	7
26	C16	23	17
27	C03	17	7
28			

JACK PIN LG

60150800 Rev. B

INSTRUCTION STACK

I7



IA

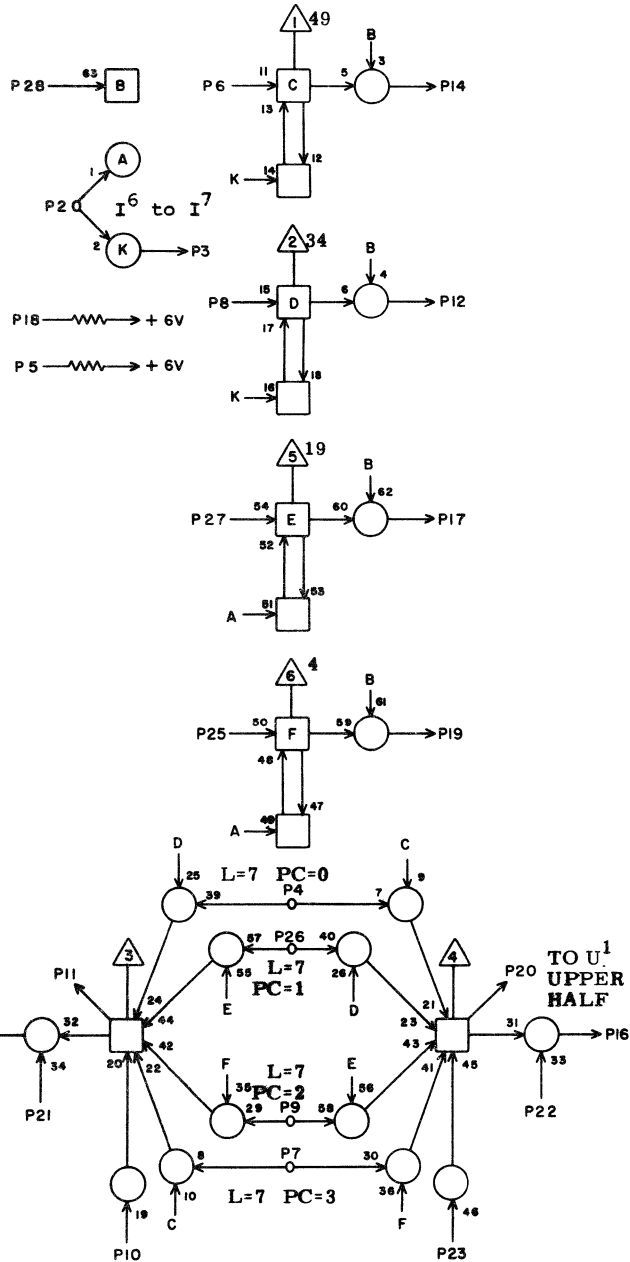
5D 4

1			
2	E17	24	17
3	C04	28	5
4	C16	26	15
5			
6	C04	14	5
7	C17	25	17
8	C04	12	5
9	C17	26	17
10	B04	11	11
11			
12			
13			
14			
15	D19	1	17
16			
17			
18	D04	23	3
19			
20	B04	23	11
21	GRD	X	2
22			
23	D04	18	3
24			
25	C04	19	7
26	C16	25	15
27	C04	17	7
28			

JACK PIN LG

60150800 Rev. B

INSTRUCTION STACK
I7

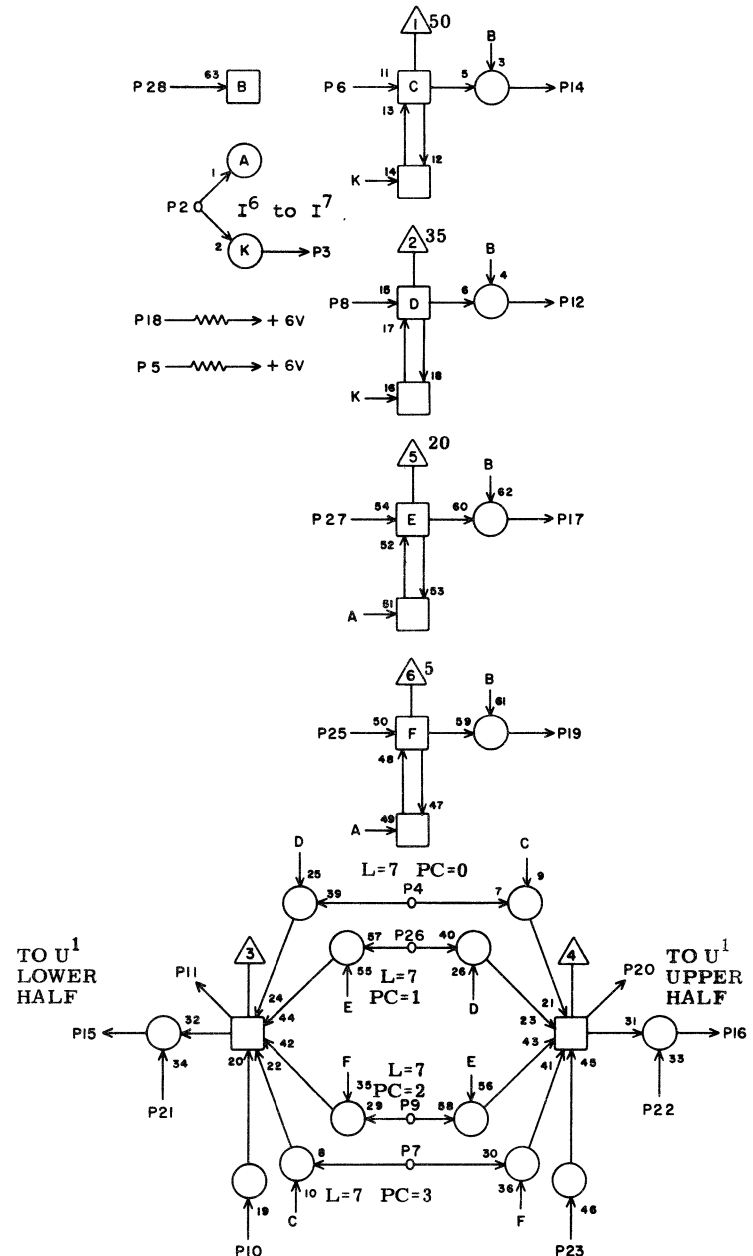


IA 5D 5

1			
2	E17	22	17
3	C05	28	5
4	C16	28	15
5			
6	C05	14	5
7	C17	27	15
8	C05	12	5
9	C17	28	15
10	B05	11	11
11			
12			
13			
14			
15	D20	1	17
16			
17			
18	D05	23	3
19			
20	B05	23	11
21	GRD	X	2
22			
23	D05	18	3
24			
25	C05	19	7
26	C16	27	15
27	C05	17	7
28			

JACK PIN LG
60150800 Rev. B

INSTRUCTION STACK
I7



IA 5D 6

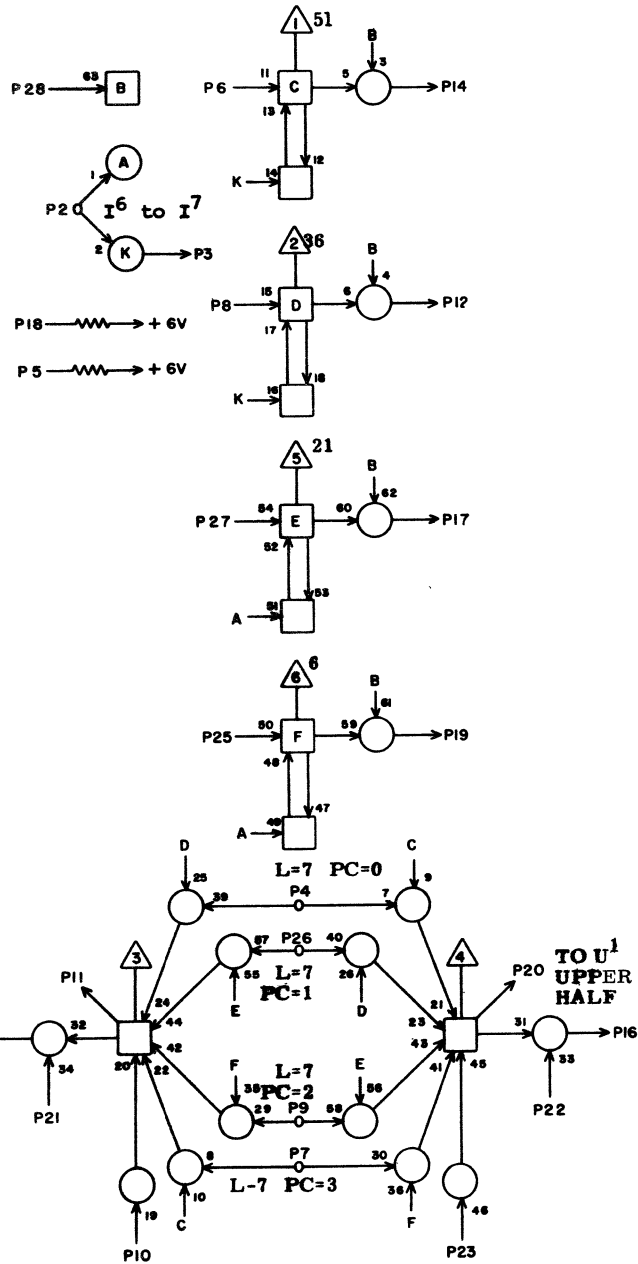
1			
2	E17	20	15
3	C06	28	5
4	C19	2	15
5			
6	C06	14	5
7	C20	16	17
8	C06	12	5
9	C20	2	17
10	B06	11	11
11			
12			
13			
14			
15	D21	1	17
16			
17			
18	D06	23	3
19			
20	B06	23	11
21	GRD	X	2
22			
23	D06	18	3
24			
25	C06	19	9
26	C19	16	15
27	C06	17	7
28			

JACK PIN LG
60150800 Rev. B

5D6

INSTRUCTION STACK

I7



IA

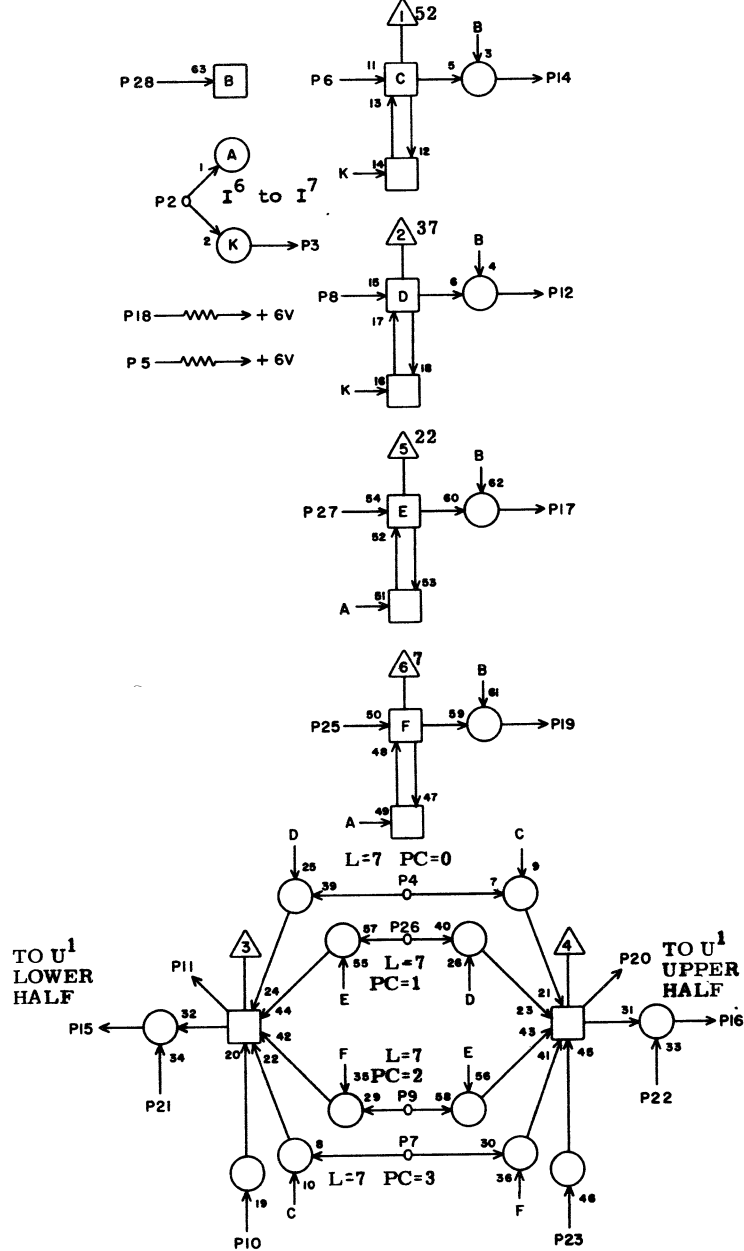
5D 7

1			
2	E17	18	13
3	C07	28	5
4	C19	4	15
5			
6	C07	14	7
7	C20	18	15
8	C07	12	7
9	C20	4	15
10	B07	11	11
11			
12			
13			
14			
15	D22	1	17
16			
17			
18	D07	23	3
19			
20	B07	23	11
21	GRD	X	2
22			
23	D07	18	3
24			
25	C07	19	7
26	C19	18	15
27	C07	17	7
28			
	JACK	PIN	LG

60150800 Rev. B

INSTRUCTION STACK

I7



IA

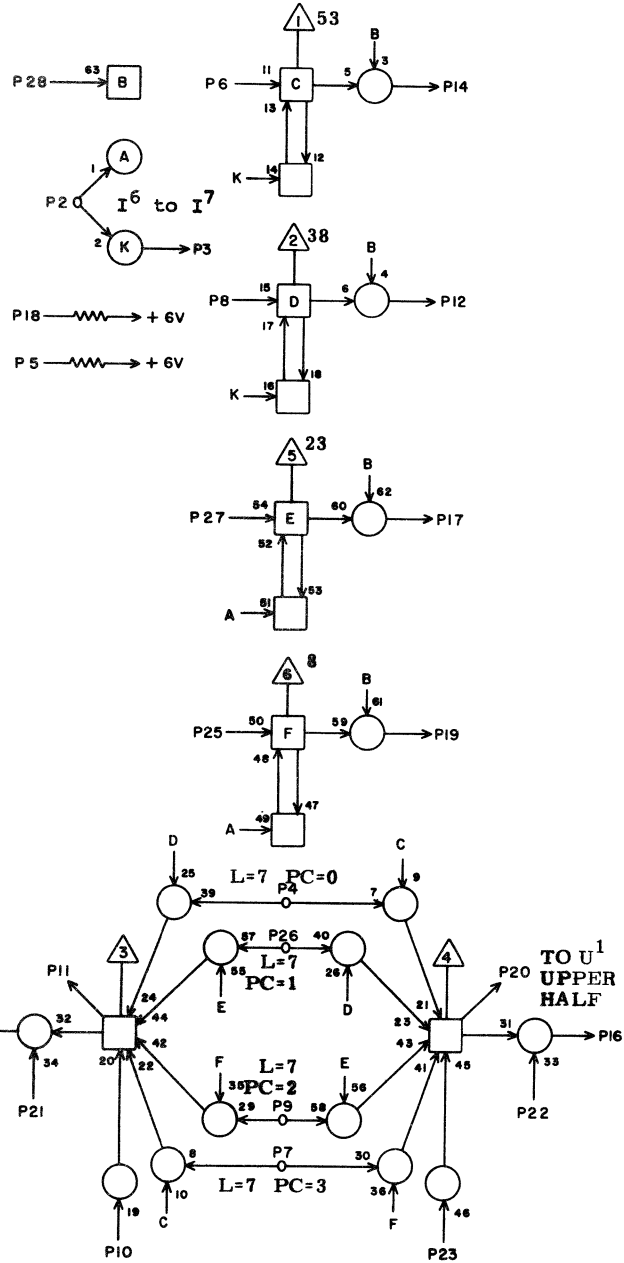
5D 8

1			
2	E17	28	13
3	C08	28	5
4	C19	6	15
5			
6	C08	14	5
7	C20	20	15
8	C08	12	5
9	C20	6	15
10	B08	11	11
11			
12			
13			
14			
15	D23	1	17
16			
17			
18	D08	23	3
19			
20	B08	23	11
21	GRD	X	2
22			
23	D08	18	3
24			
25	C08	19	7
26	C19	20	15
27	C08	17	7
28			
	JACK	PIN	LG

60150800 Rev. B

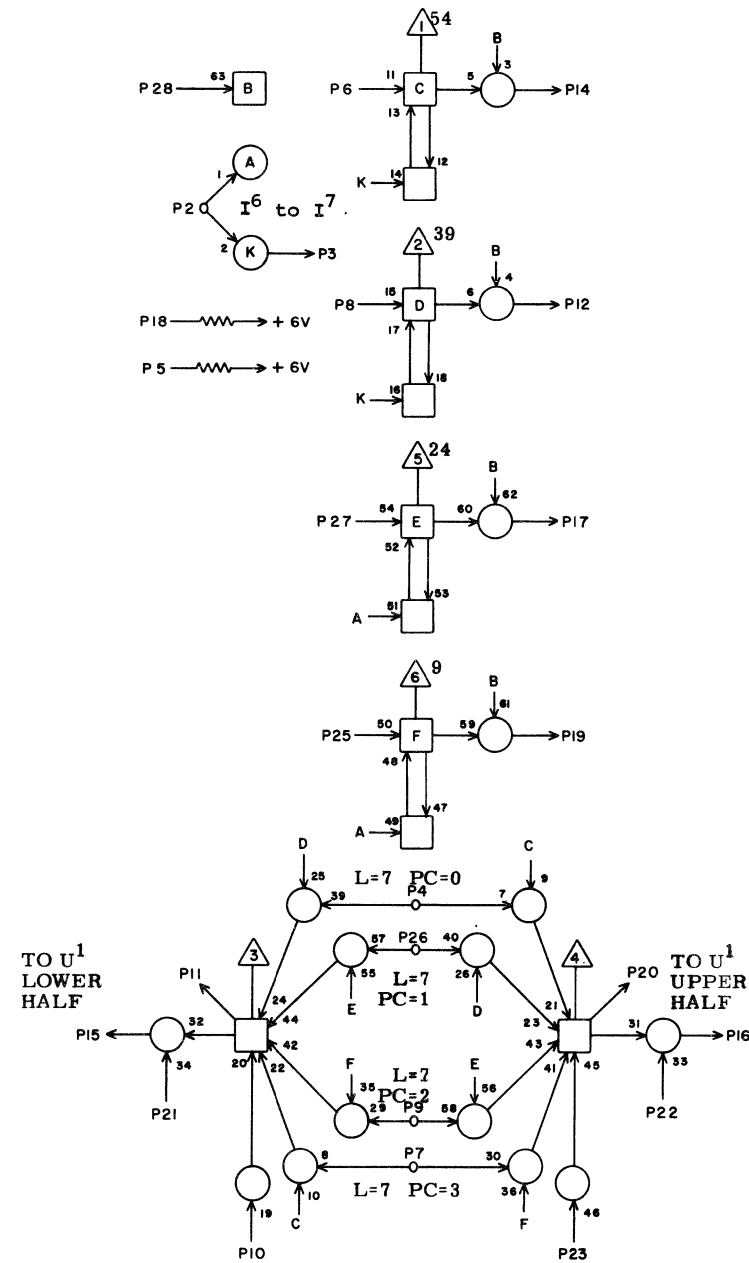
INSTRUCTION STACK

I7



INSTRUCTION STACK

I7



IA

5D 9

1			
2	E17	21	13
3	C09	28	5
4	C19	9	15
5			
6	C09	14	5
7	C20	22	15
8	C09	12	5
9	C20	9	15
10	B09	11	11
11			
12			
13			
14			
15	D24	1	17
16			
17			
18	D09	23	3
19			
20	B09	23	11
21	GRD	X	2
22			
23	D09	18	3
24			
25	C09	19	7
26	C19	22	15
27	C09	17	7
28			

JACK PIN LG

IA

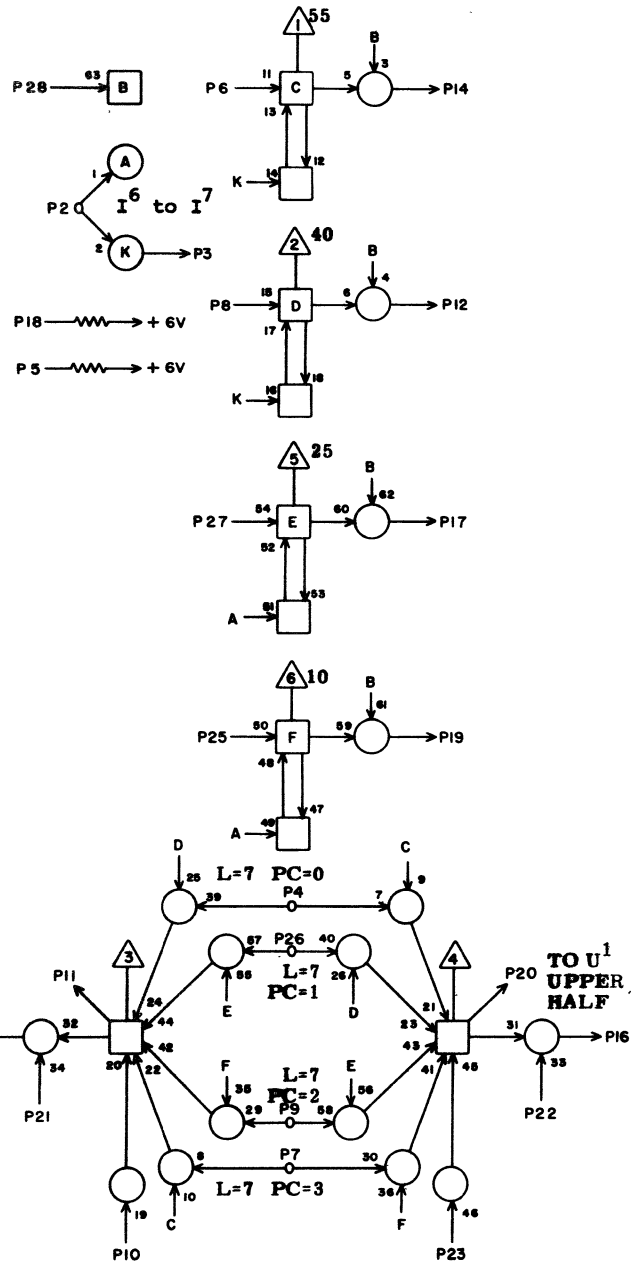
5D10

1			
2	E17	19	13
3	C10	28	5
4	C19	11	13
5			
6	C10	14	5
7	C20	17	13
8	C10	12	5
9	C20	11	13
10	B10	11	11
11			
12			
13			
14			
15	D25	1	17
16			
17			
18	D10	23	3
19			
20	B10	23	11
21	GRD	X	2
22			
23	D10	18	3
24			
25	C10	19	7
26	C19	17	13
27	C10	17	7
28			

JACK PIN LG

INSTRUCTION STACK

I7



IA

5D11

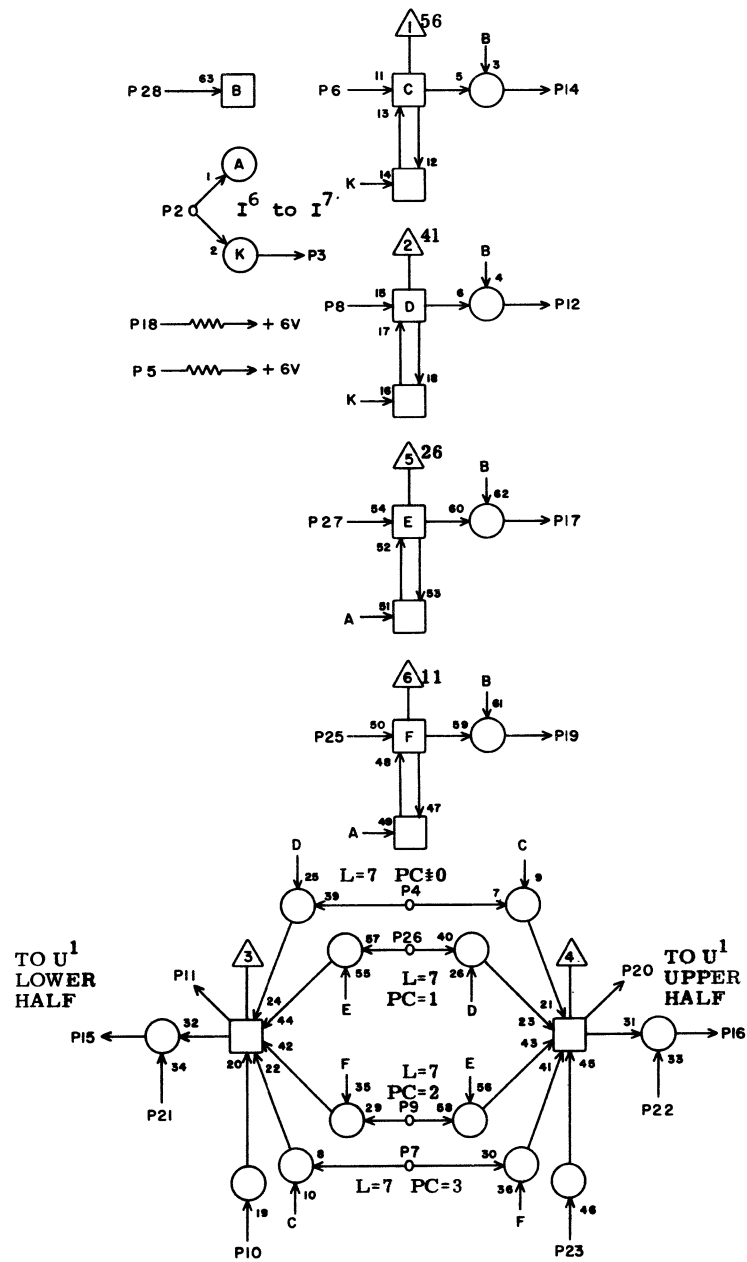
1			
2	E17	17	13
3	C11	28	5
4	C19	13	13
5			
6	C11	14	5
7	C20	19	13
8	C11	12	5
9	C20	13	13
10	B11	11	11
11			
12			
13			
14			
15	E18	1	11
16			
17			
18	D11	23	3
19			
20	B11	23	11
21	GRD	X	2
22			
23	D11	18	3
24			
25	C11	19	7
26	C19	19	13
27	C11	17	7
28			

JACK PIN LG

60150800 Rev. B

INSTRUCTION STACK

I7



IA

5D12

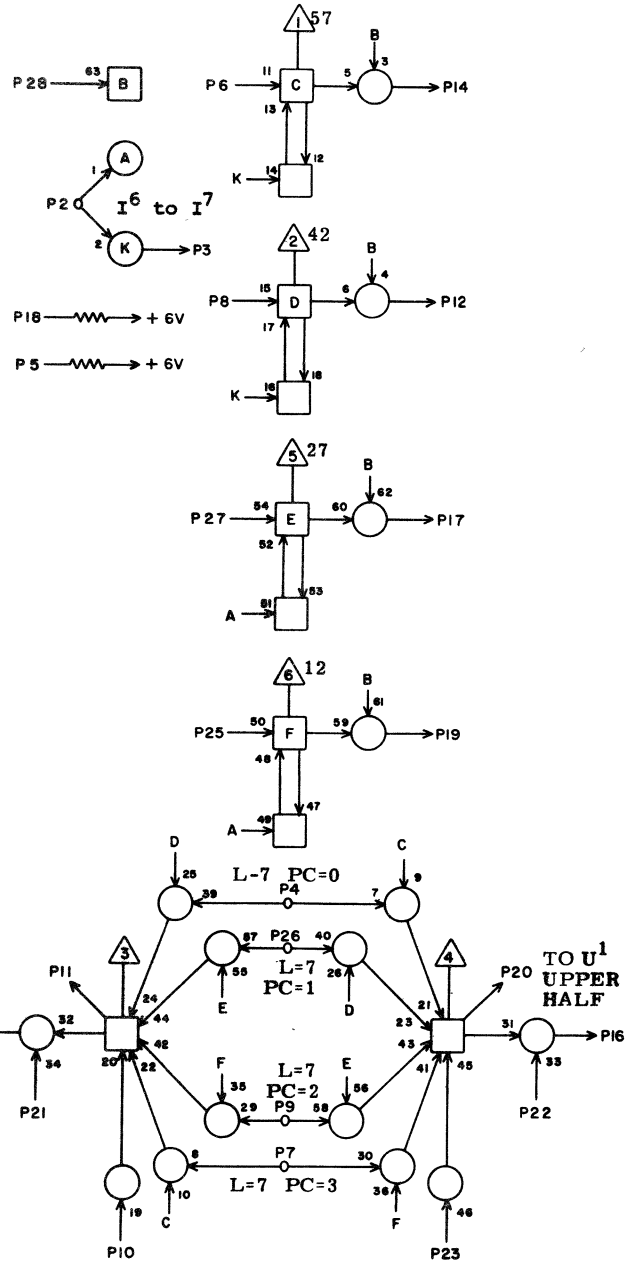
1			
2	E17	27	11
3	C12	28	5
4	C19	8	11
5			
6	C12	14	5
7	C20	21	13
8	C12	12	5
9	C20	8	13
10	B12	11	11
11			
12			
13			
14			
15	E19	1	11
16			
17			
18	D12	23	3
19			
20	B12	23	11
21	GRD	X	2
22			
23	D12	18	3
24			
25	C12	19	7
26	C19	21	13
27	C12	17	7
28			

JACK PIN LG

60150800 Rev. B

INSTRUCTION STACK

I7



IA

5D13

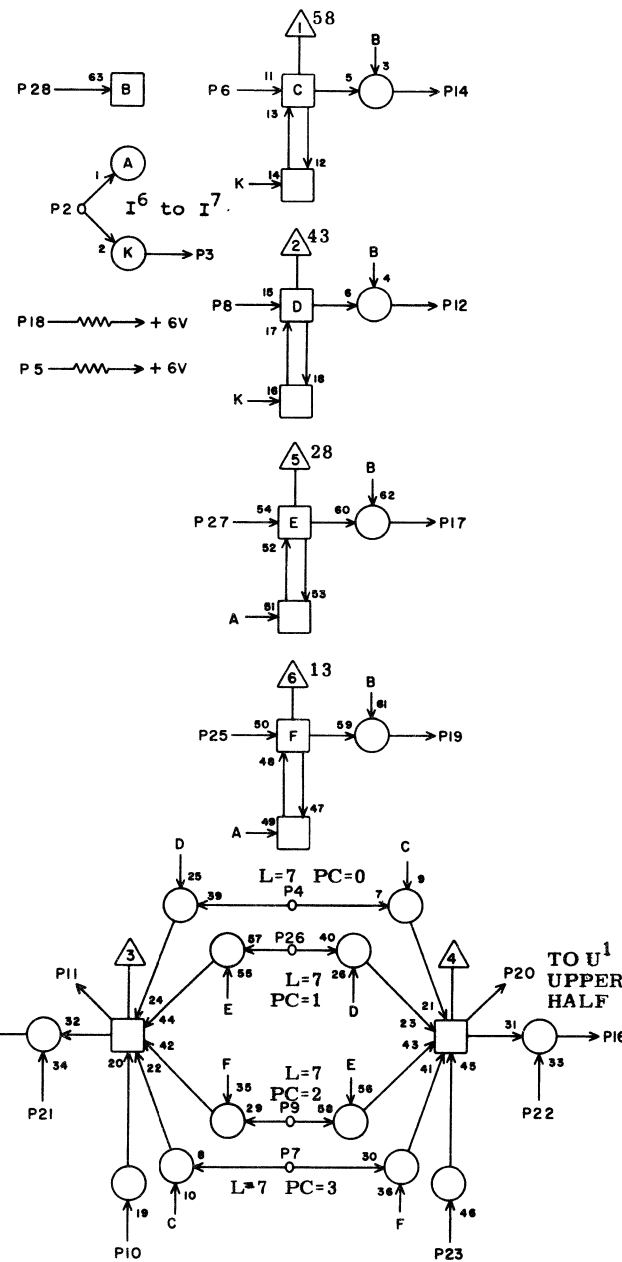
1			
2	E15	15	9
3	C13	28	5
4	C19	10	11
5			
6	C13	14	5
7	C20	24	11
8	C13	12	5
9	C20	10	11
10	B13	11	11
11			
12			
13			
14			
15	E20	1	11
16			
17			
18	D13	23	3
19			
20	B13	23	11
21	GRD	X	2
22			
23	D13	18	3
24			
25	C13	19	7
26	C19	24	11
27	C13	17	7
28			

JACK PIN LG

60150800 Rev. B

INSTRUCTION STACK

I7



IA

5 D14

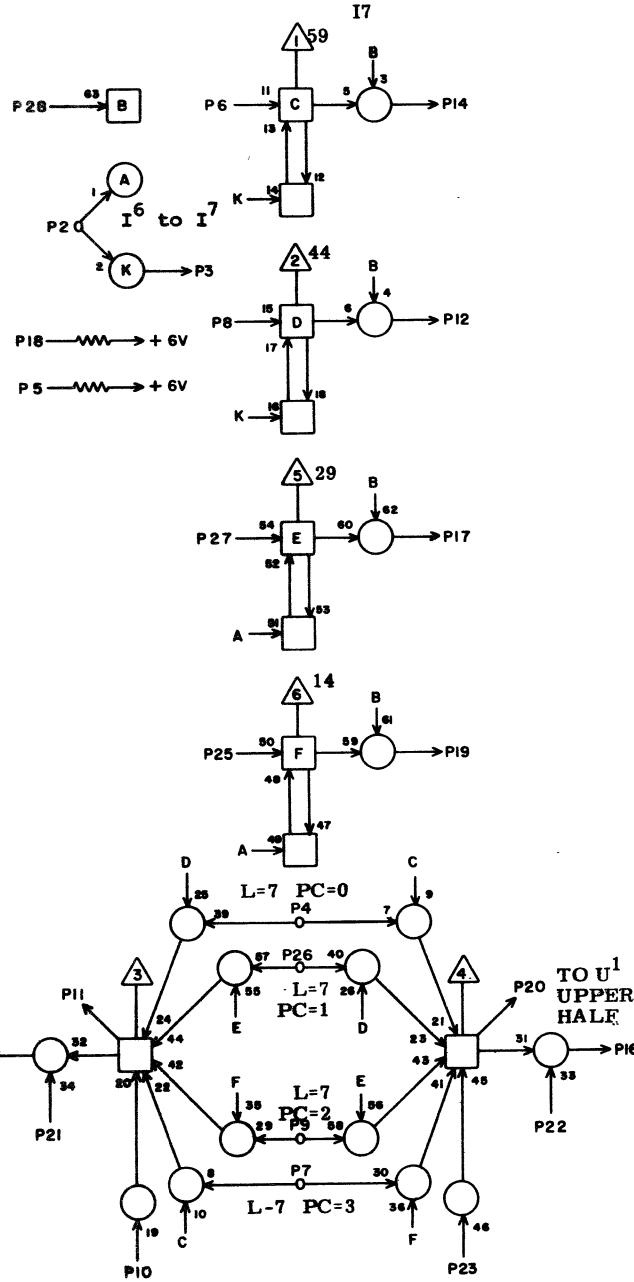
1			
2	E15	17	9
3	C14	28	5
4	C19	12	9
5			
6	C14	14	5
7	C20	26	9
8	C14	12	5
9	C20	12	9
10	B14	11	11
11			
12			
13			
14			
15	E21	1	11
16			
17			
18	D14	23	3
19			
20	B14	23	11
21	GRD	X	2
22			
23	D14	18	3
24			
25	C14	19	7
26	C19	26	7
27	C14	17	7
28			

JACK PIN LG

60150800 Rev. B

5D14

INSTRUCTION STACK



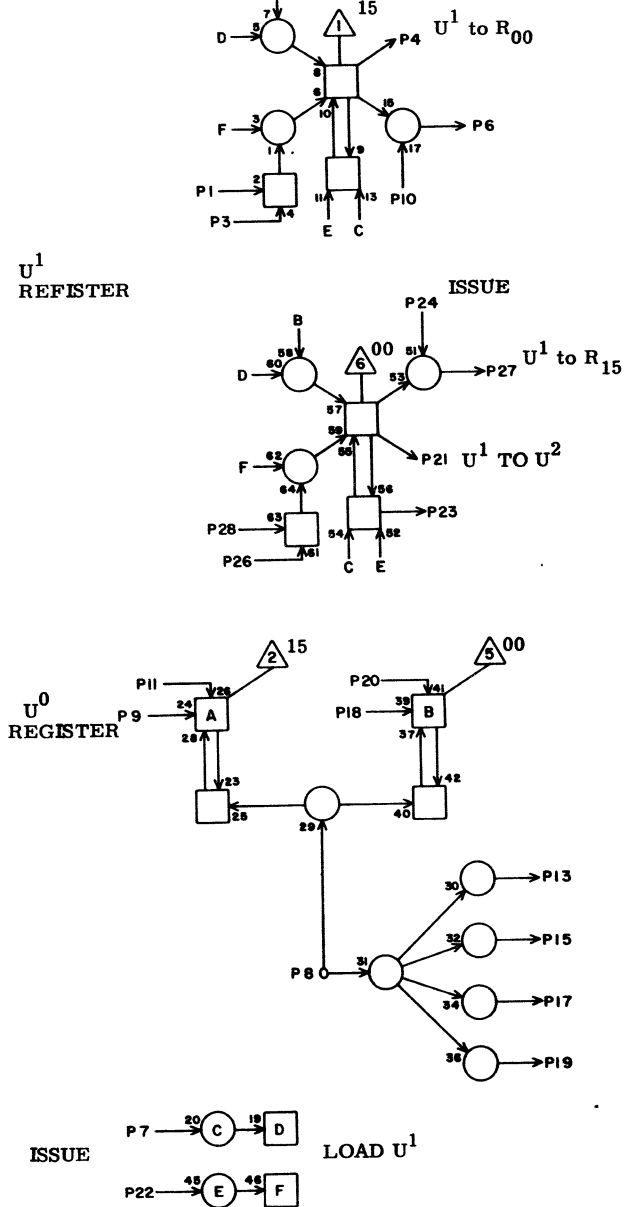
IA 5D15

1			
2	E15	19	11
3	C15	28	5
4	C19	14	7
5	F17	3	11
6	C15	14	5
7	C20	28	9
8	C15	12	5
9	C20	14	9
10	B15	11	11
11			
12			
13			
14			
15	E22	1	11
16			
17			
18	D15	23	3
19			
20	B15	23	11
21	GRD	X	2
22			
23	D15	18	3
24			
25	C15	19	7
26	C19	28	17
27	C15	17	7
28			

JACK PIN LG

60150800 Rev. AL

LS 63047300 ASSY REV C



ISSUE LOAD U¹

5D16

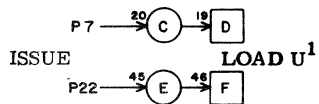
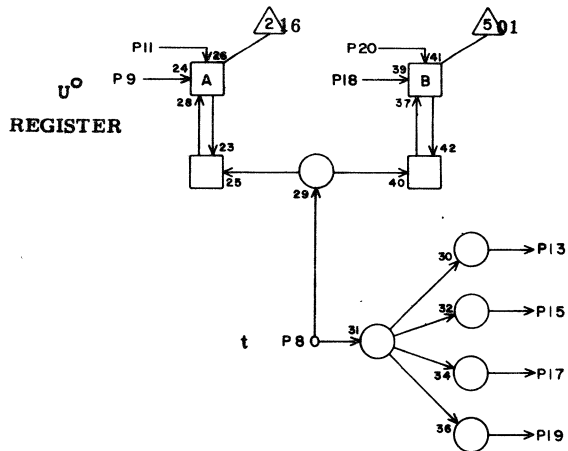
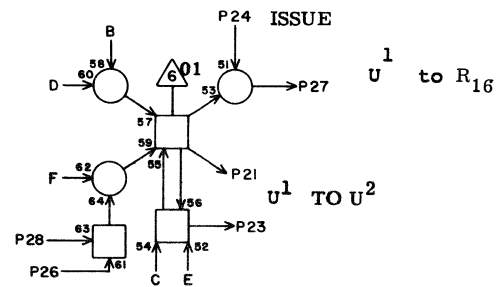
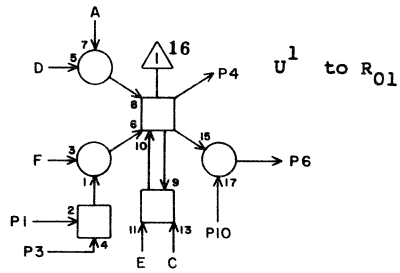
1	D1	15	17
2			
3	D26	15	13
4	M28	4	37
5			
6			
7	E30	15	17
8	F17	15	13
9	C1	15	17
10			
11	C26	15	13
12			
13	C1	21	17
14			
15	C26	21	13
16			
17	A26	22	17
18	A26	16	19
19	A1	22	21
20	A1	16	21
21	E12	6	11
22	E30	25	17
23			
24	G40	9	27
25			
26	B26	16	19
27	M30	21	39
28	B1	16	19

JACK PIN LG

CIRCUIT SPECIFICATION 11827600

60150800 Rev E

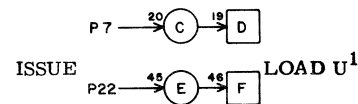
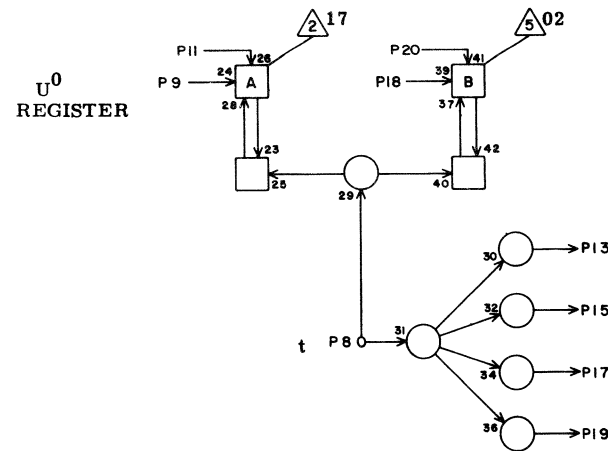
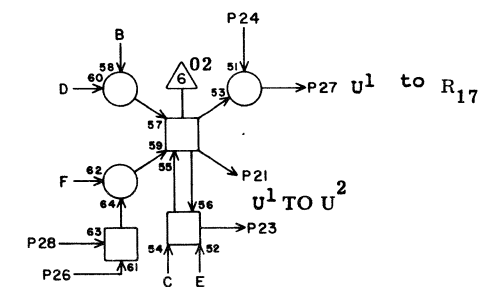
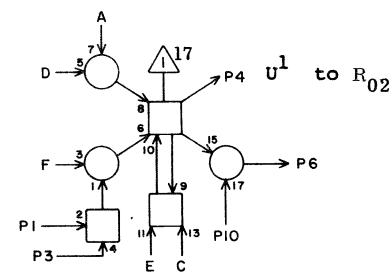
U¹
REGISTER



IB		5D17	
1	D 2	15	17
2			
3	D27	15	13
4	M28	8	37
5			
6			
7	E30	7	15
8	F17	7	11
9	C 2	15	17
10			
11	C27	15	15
12			
13	C 2	21	17
14			
15	C27	21	15
16			
17	A27	22	17
18	A27	16	19
19	A 2	22	21
20	A 2	16	21
21	E12	7	11
22	E30	23	17
23			
24	G40	5	27
25			
26	B27	16	17
27	M30	17	39
28	B 2	16	19
	JACK	PIN	LG

60150800 Rev. E

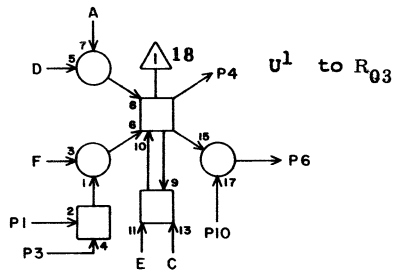
U¹
REGISTER



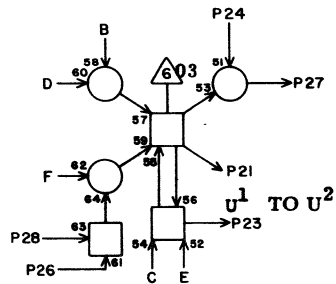
IB		5D18	
1	D03	15	17
2			
3	D28	15	13
4	M28	12	37
5			
6			
7	E30	6	15
8	F17	6	11
9	C03	15	17
10			
11	C28	15	13
12			
13	C03	21	17
14			
15	C28	21	13
16			
17	A28	22	17
18	A28	16	19
19	A03	22	21
20	A03	16	21
21	E12	11	11
22	E30	26	15
23			
24	G40	4	25
25			
26	B28	16	15
27	M30	27	39
28	B03	16	19
	JACK	PIN	LG

60150800 Rev. B

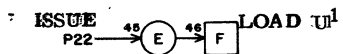
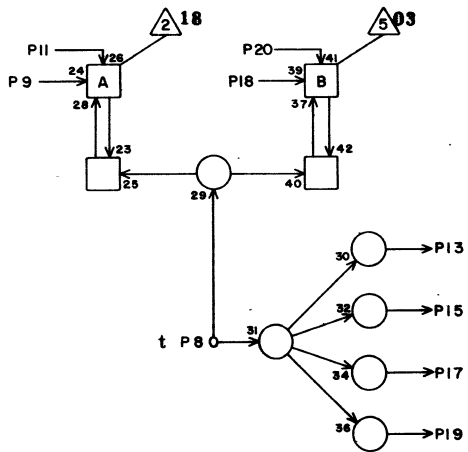
5D18



U¹
REGISTER

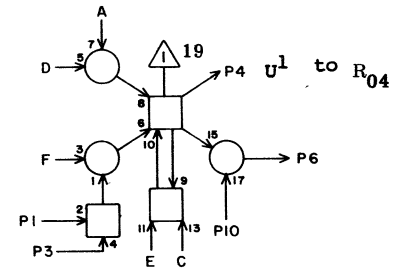


U⁰
REGISTER

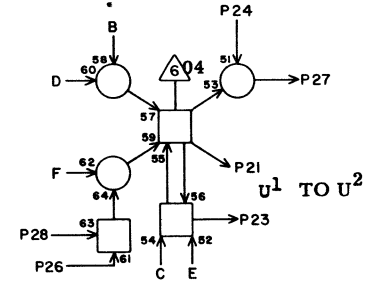


IB		5D19	
1	D 4	15	17
2			
3	D29	15	13
4	M28	23	37
5			
6			
7	E30	4	13
8	F17	4	11
9	C 4	15	17
10			
11	C29	15	13
12			
13	C 4	21	17
14			
15	C29	21	13
16			
17	A29	22	17
18	A29	16	17
19	A 4	22	21
20	A 4	16	21
21	E14	6	11
22	E30	24	15
23			
24			
25			
26	B29	16	15
27			
28	B 4	16	19

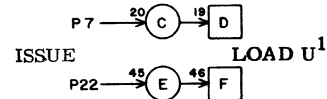
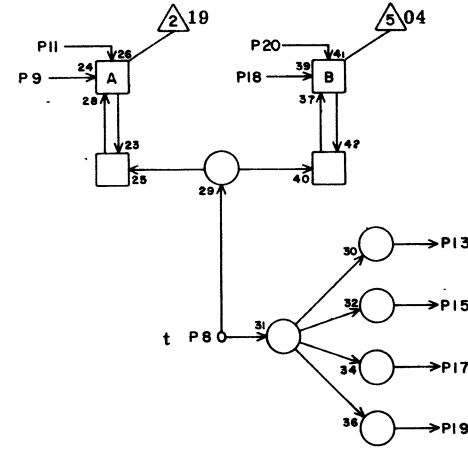
JACK PIN LG
60150800 Rev. B



U¹
REGISTER

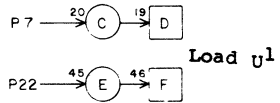
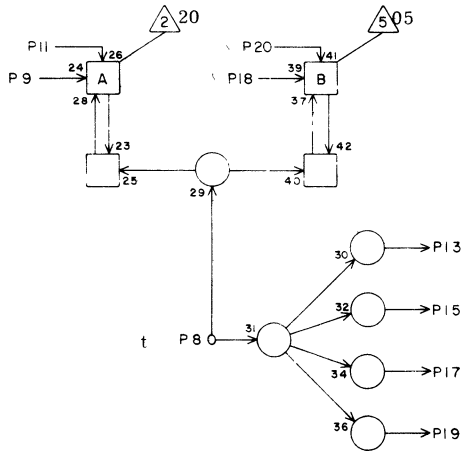
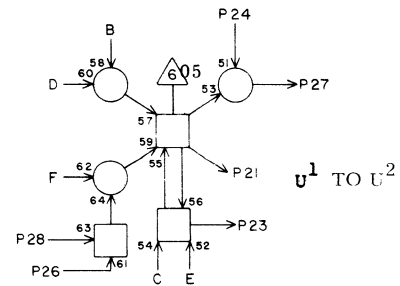
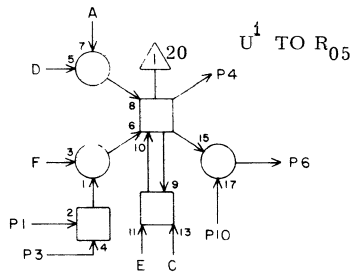


U⁰
REGISTER



IB		5D20	
1	D 5	15	17
2			
3	D30	15	13
4	M28	24	37
5			
6			
7	E30	9	13
8	F17	9	13
9	C 5	15	17
10			
11	C30	15	13
12			
13	C 5	21	17
14			
15	C30	21	13
16			
17	A30	22	19
18	A30	16	17
19	A 5	22	21
20	A 5	16	21
21	E14	23	11
22	E30	22	13
23			
24			
25			
26	B30	16	17
27			
28	B 5	16	19

JACK PIN LG
60150800 Rev. B



U¹
REGISTER

U⁰
REGISTER

ISSUE

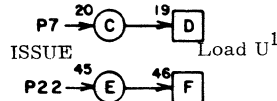
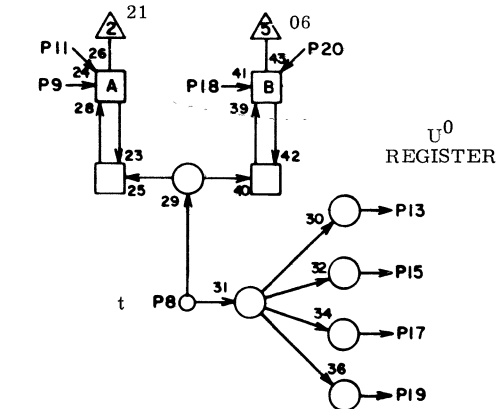
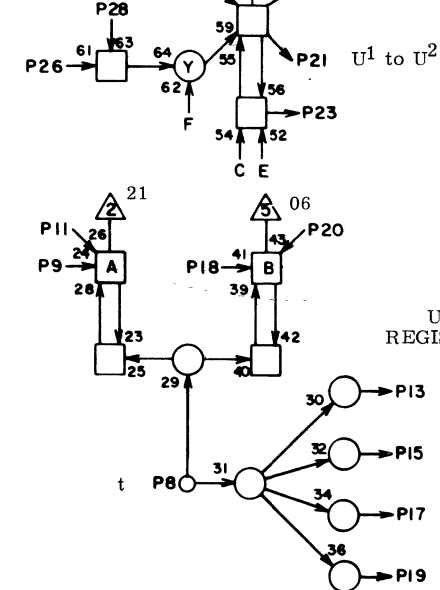
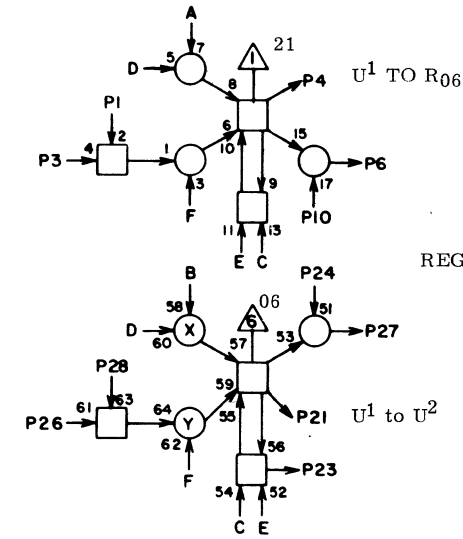
IB 5D21

	JACK	PIN	LG
1	D 6	15	17
2			
3	D31	15	13
4	M28	28	37
5			
6			
7	E30	11	13
8	F17	11	13
9	C 6	15	17
10			
11	C31	15	13
12			
13	C 6	21	17
14			
15	C31	21	13
16			
17	A31	22	17
18	A31	16	17
19	A 6	22	21
20	A06	16	21
21	E12	20	13
22	E30	20	13
23			
24			
25			
26	B31	16	17
27			
28	B 6	16	19

60150800 Rev. B

LS 18057100
ASSY

A
REV



U¹
REGISTER

U⁰
REGISTER

AJ

5D22

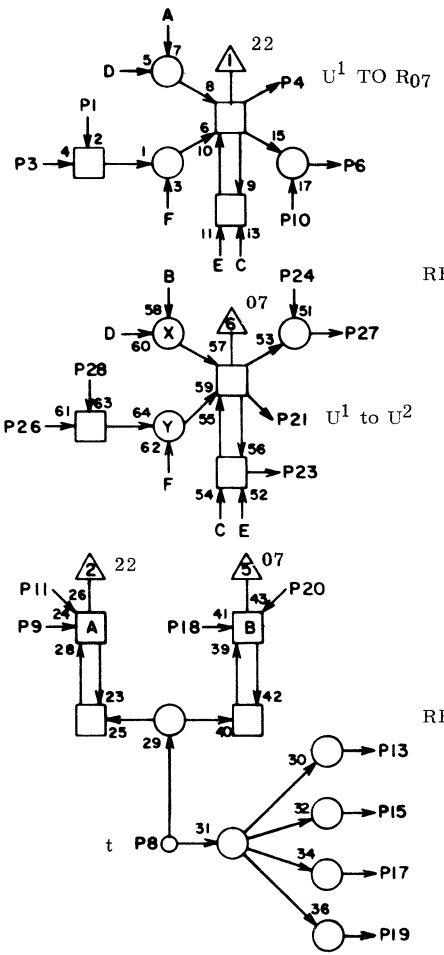
	JACK	PIN	LG
1	D07	15	17
2			
3	D32	15	13
4	M29	4	37
5	F21	13	11
6			
7	E30	13	13
8	F17	13	13
9	C7	15	17
10			
11	C32	15	13
12			
13	C7	21	17
14	F21	21	11
15	C32	21	13
16			
17	A32	22	19
18	A32	16	17
19	A07	22	21
20	A07	16	21
21	E14	5	13
22	E30	18	13
23			
24			
25			
26	B32	16	17
27	O19	10	43
28	B7	16	19

SEE CIRCUIT SPECIFICATION
11827600
60150800 Rev. R

LS 18057100
ASSY **A**
REV

AJ

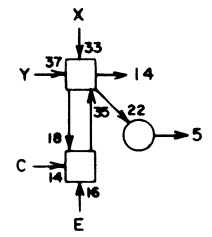
5D23



U¹
REGISTER

U⁰
REGISTER

Load U⁻¹



1	D8	15	17
2			
3	D33	15	13
4	M29	8	37
5	F21	8	11
6			
7	E30	1	11
8	F17	1	13
9	C 8	15	17
10			
11	C33	15	13
12			
13	C 8	21	17
14	F21	10	11
15	C33	21	13
16			
17	A33	22	17
18	A33	16	19
19	A 8	22	21
20	A 8	16	21
21	E14	24	13
22	E30	28	11
23			
24			
25			
26	B33	16	17
27	O19	7	43
28	B 8	16	19

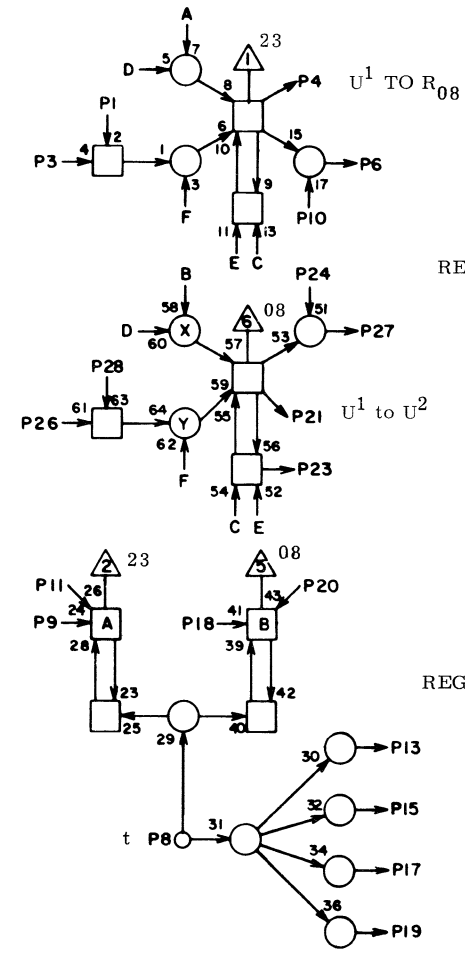
JACK PIN LG

SEE CIRCUIT SPECIFICATION
11827600
60150800 Rev. AW

LS 18057100
ASSY **A**
REV

AJ

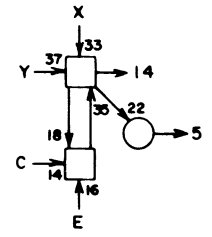
5D24



U¹
REGISTER

U⁰
REGISTER

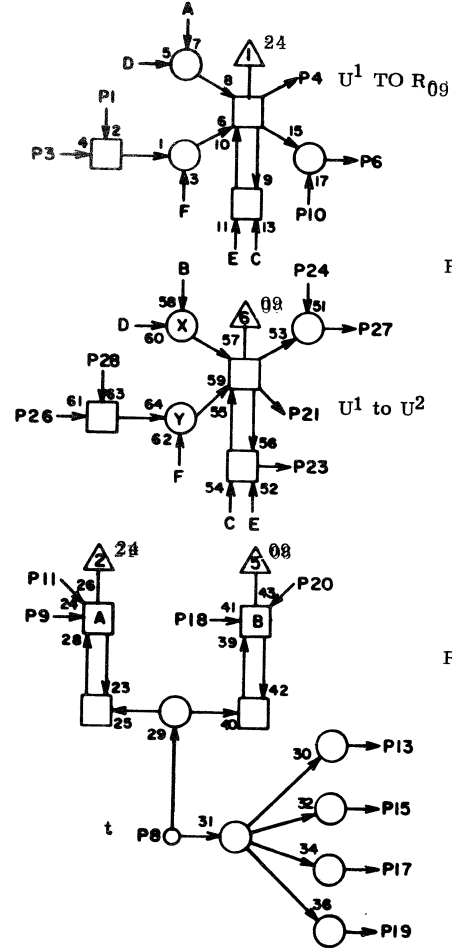
Load U¹



1	D 9	15	17
2			
3	D34	15	13
4	M29	12	37
5	R13	14	55
6			
7	E30	8	9
8	F17	8	13
9	C09	15	17
10			
11	C34	15	13
12			
13	C 9	21	17
14			
15	C34	21	13
16			
17	A34	22	17
18	A34	16	17
19	A 9	22	21
20	A 9	16	21
21	E14	11	13
22	E30	21	11
23			
24			
25			
26	B34	16	17
27	O19	6	43
28	B 9	16	19

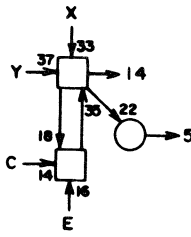
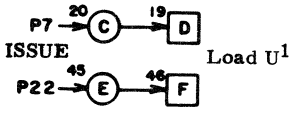
JACK PIN LG

SEE CIRCUIT SPECIFICATION
11827600
60150800 Rev. BF



U¹ REGISTER

U⁰ REGISTER



AJ

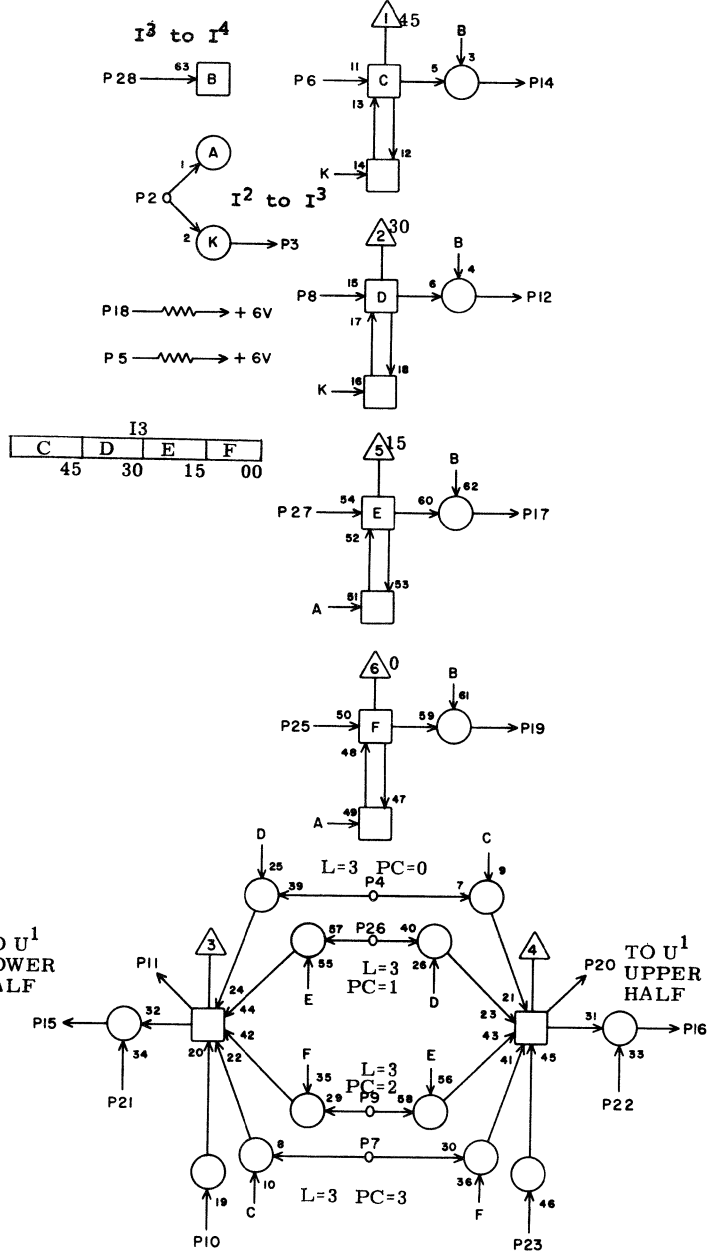
5D25

1	D10	15	17
2			
3	D35	15	13
4	M29	23	37
5			
6			
7	E30	10	9
8	F17	10	15
9	C10	15	17
10			
11	C35	15	15
12			
13	C10	21	17
14	F21	23	13
15	C35	21	17
16			
17	A35	22	17
18	A35	16	17
19	A10	22	21
20	A10	16	21
21	C18	15	13
22	E30	19	11
23	E32	12	11
24	GRD	X	2
25			
26	B35	16	17
27	C23	11	7
28	B10	16	19

JACK PIN LG

SEE CIRCUIT SPECIFICATION
11827600
60150800 Rev. R

INSTRUCTION STACK I3



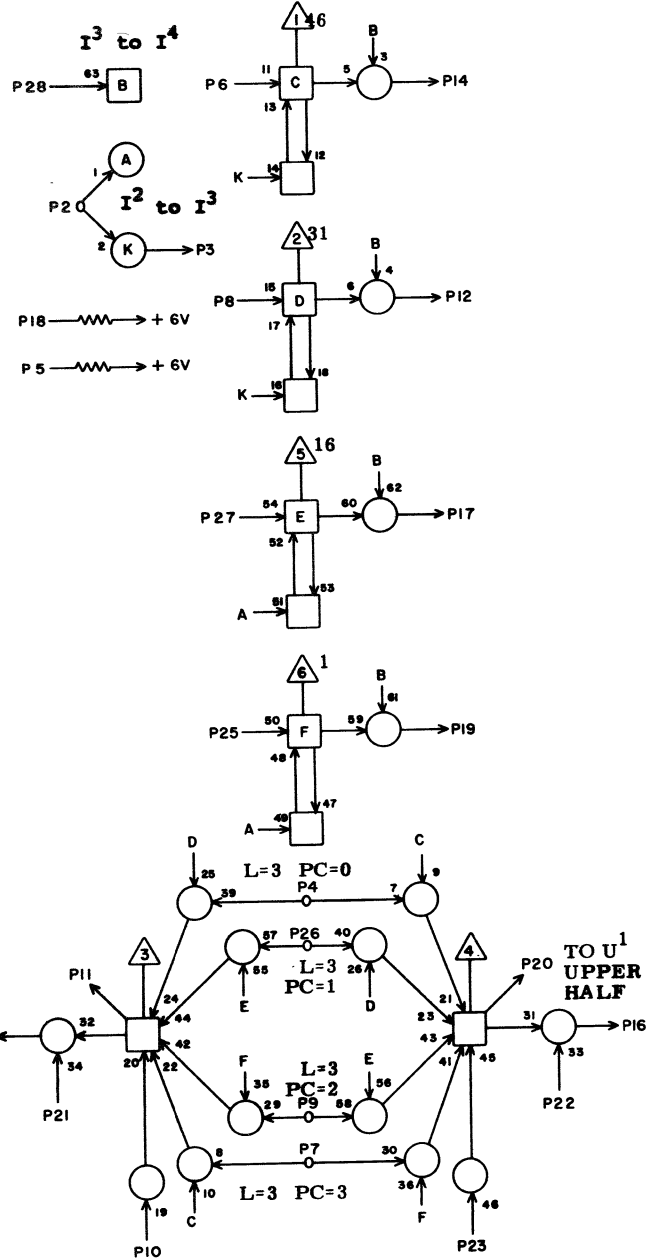
5D26

IA 5 D26

1			
2	E24	25	7
3	C26	28	5
4	C24	20	7
5	M31	4	37
6	C26	14	5
7	C25	19	5
8	C26	12	5
9	C25	20	5
10	B26	11	11
11			
12	A01	8	29
13			
14	A01	6	29
15	D16	3	13
16			
17	A01	27	29
18	D26	23	3
19	A01	25	29
20	B26	23	11
21	GRD	X	2
22			
23	D26	18	3
24			
25	C26	19	7
26	C24	19	7
27	C26	17	7
28	A01	3	29

JACK PIN LG

INSTRUCTION STACK
I3



TO U¹
LOWER
HALF

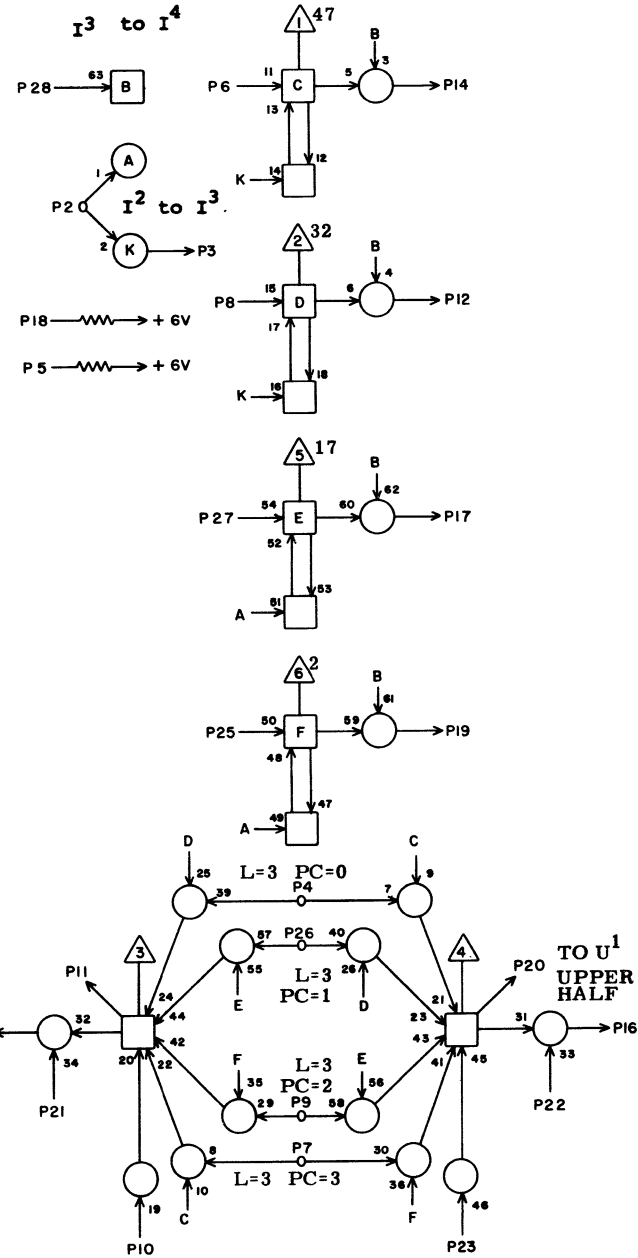
TO U¹
UPPER
HALF

IA **5 D27**

1			
2	E24	23	9
3	C27	28	5
4	C24	22	7
5	M31	26	37
6	C27	14	5
7	C25	21	5
8	C27	12	5
9	C25	22	7
10	B27	11	11
11			
12	A02	8	29
13			
14	A02	6	29
15	D17	3	13
16			
17	A02	27	29
18	D27	23	3
19	A02	25	29
20	B27	23	11
21	GRD	X	2
22			
23	D27	18	3
24			
25	C27	19	7
26	C24	21	7
27	C27	17	7
28	A02	3	29
	JACK	PIN	LG

60150800 Rev. B

INSTRUCTION STACK
I3



TO U¹
LOWER
HALF

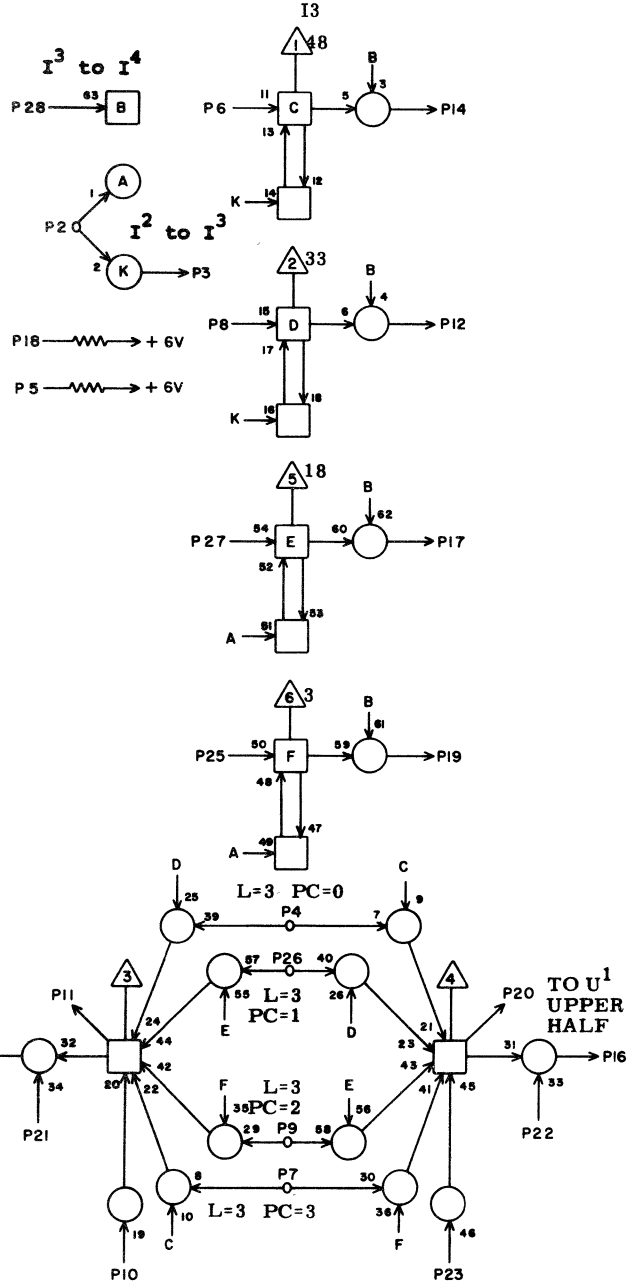
TO U¹
UPPER
HALF

IA **5D28**

1			
2	E24	26	11
3	C28	28	5
4	C24	24	7
5			
6	C28	14	5
7	C25	23	7
8	C28	12	5
9	C25	24	7
10	B28	11	11
11			
12	A03	8	29
13			
14	A03	6	29
15	D18	3	13
16			
17	A03	27	29
18	D28	23	3
19	A03	25	29
20	B28	23	11
21	GRD	X	2
22			
23	D28	18	3
24			
25	C28	19	7
26	C24	23	9
27	C28	17	7
28	A03	3	29
	JACK	PIN	LG

60150800 Rev. E

INSTRUCTION STACK



IA

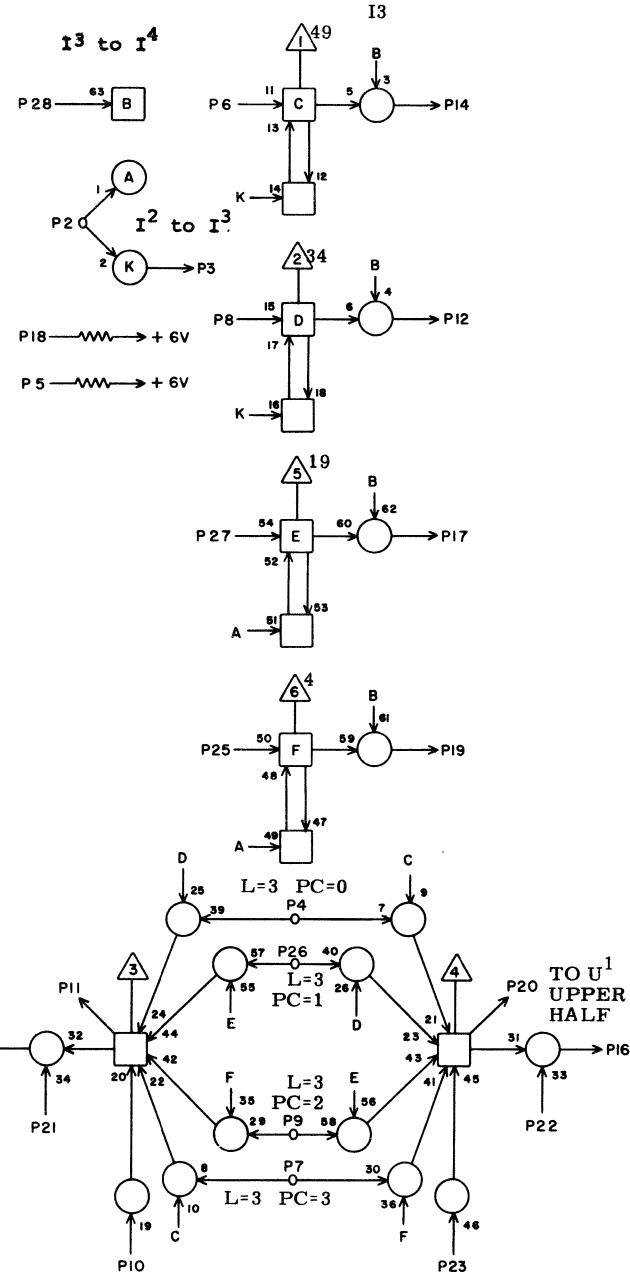
5D29

1			
2	E24	24	11
3	C29	28	5
4	C24	26	7
5	Q25	26	53
6	C29	14	5
7	C25	25	7
8	C29	12	5
9	C25	26	7
10	B29	11	11
11			
12	A04	8	29
13			
14	A04	6	29
15	D19	3	13
16			
17	A04	27	29
18	D29	23	3
19	A04	25	29
20	B29	23	11
21	GRD	X	2
22			
23	D29	18	3
24			
25	C29	19	7
26	C24	25	9
27	C29	17	7
28	A04	3	29

JACK PIN LG

60150800 Rev. K

INSTRUCTION STACK



IA

5D30

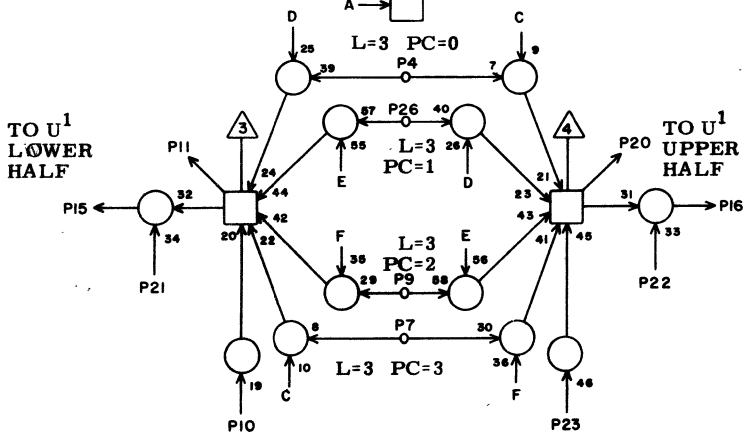
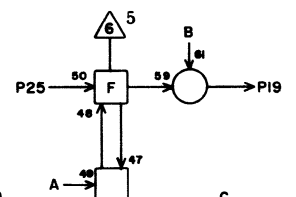
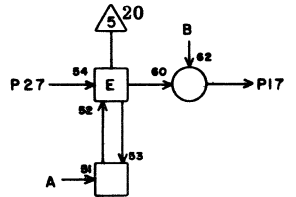
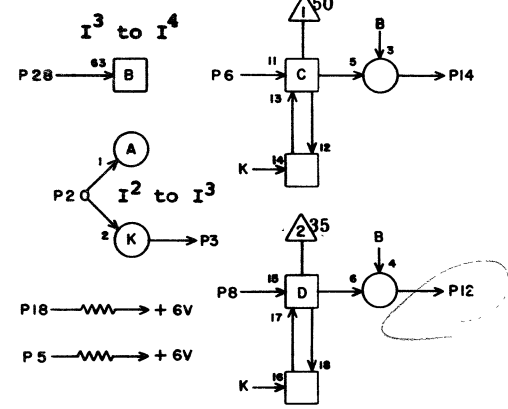
1			
2	E24	22	11
3	C30	28	5
4	C24	28	9
5			
6	C30	14	5
7	C25	27	7
8	C30	12	5
9	C25	28	7
10	B30	11	11
11			
12	A05	8	29
13			
14	A05	6	29
15	D20	3	13
16			
17	A05	27	27
18	D30	23	3
19	A05	25	27
20	B30	23	11
21	GRD	X	2
22			
23	D30	18	3
24			
25	C30	19	7
26	C24	27	9
27	C30	17	7
28	A05	3	29

JACK PIN LG

60150800 Rev. B

5D30

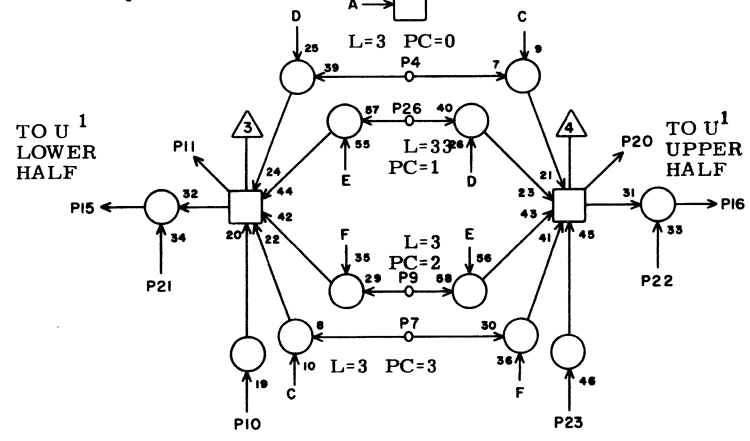
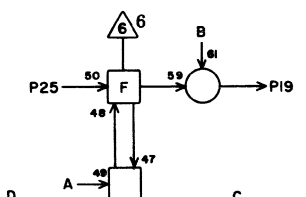
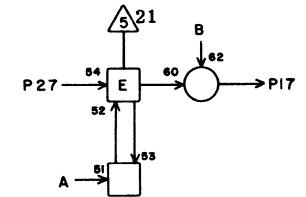
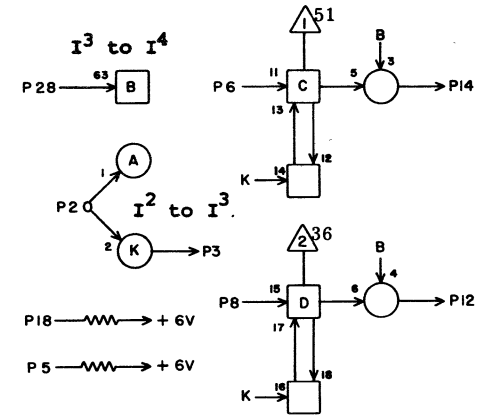
INSTRUCTION STACK
I3



IA 5D31

IA	JACK	PIN	LG
1			
2	E24	20	11
3	C31	28	5
4	C21	2	13
5			
6	C31	14	5
7	C22	16	13
8	C31	12	5
9	C22	2	13
10	B31	11	11
11			
12	A06	8	29
13			
14	A06	6	29
15	D21	3	13
16			
17	A06	27	27
18	D31	23	3
19	A06	25	27
20	B31	23	11
21	GRD	X	2
22			
23	D31	18	3
24			
25	C31	19	7
26	C21	16	15
27	C31	17	9
28	A06	3	29

INSTRUCTION STACK
I3

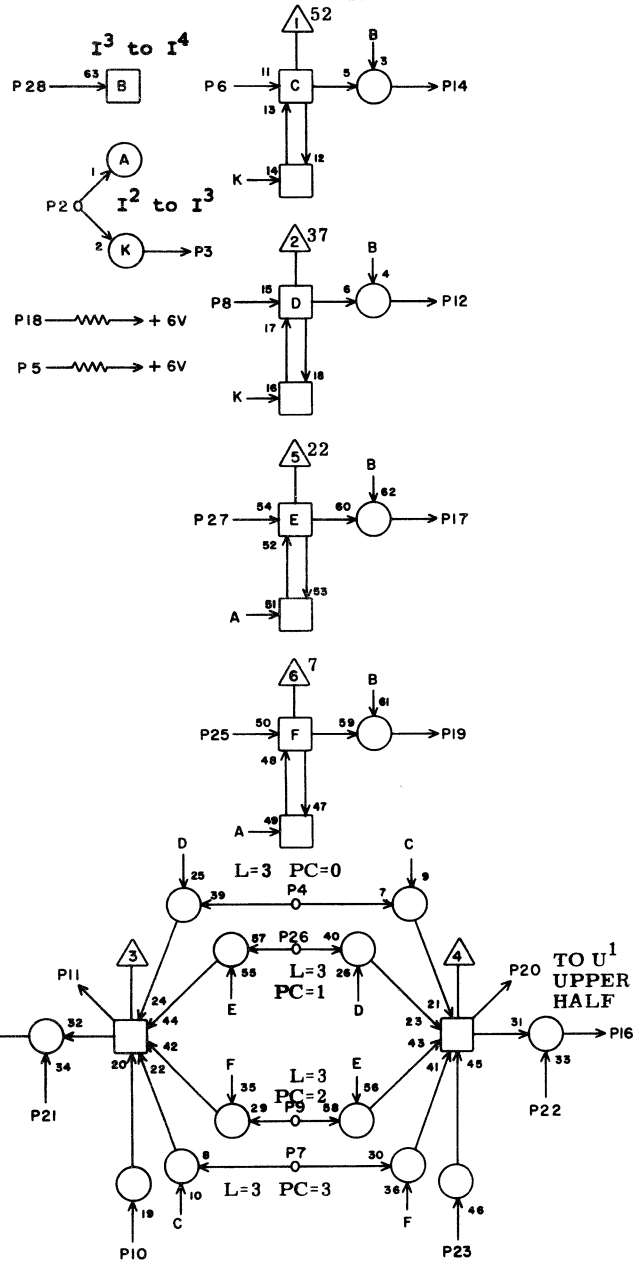


IA 5D32

IA	JACK	PIN	LG
1			
2	E24	18	11
3	C32	28	5
4	C21	4	13
5			
6	C32	14	5
7	C22	18	13
8	C32	12	5
9	C22	4	13
10	B32	11	11
11			
12	A07	8	29
13			
14	A07	6	29
15	D22	3	13
16			
17	A07	27	27
18	D32	23	3
19	A07	25	27
20	B32	23	11
21	GRD	X	2
22			
23	D32	18	3
24			
25	C32	19	7
26	C21	16	15
27	C32	17	9
28	A07	3	29

INSTRUCTION STACK

I3



TO U¹
LOWER
HALF

TO U¹
UPPER
HALF

IA

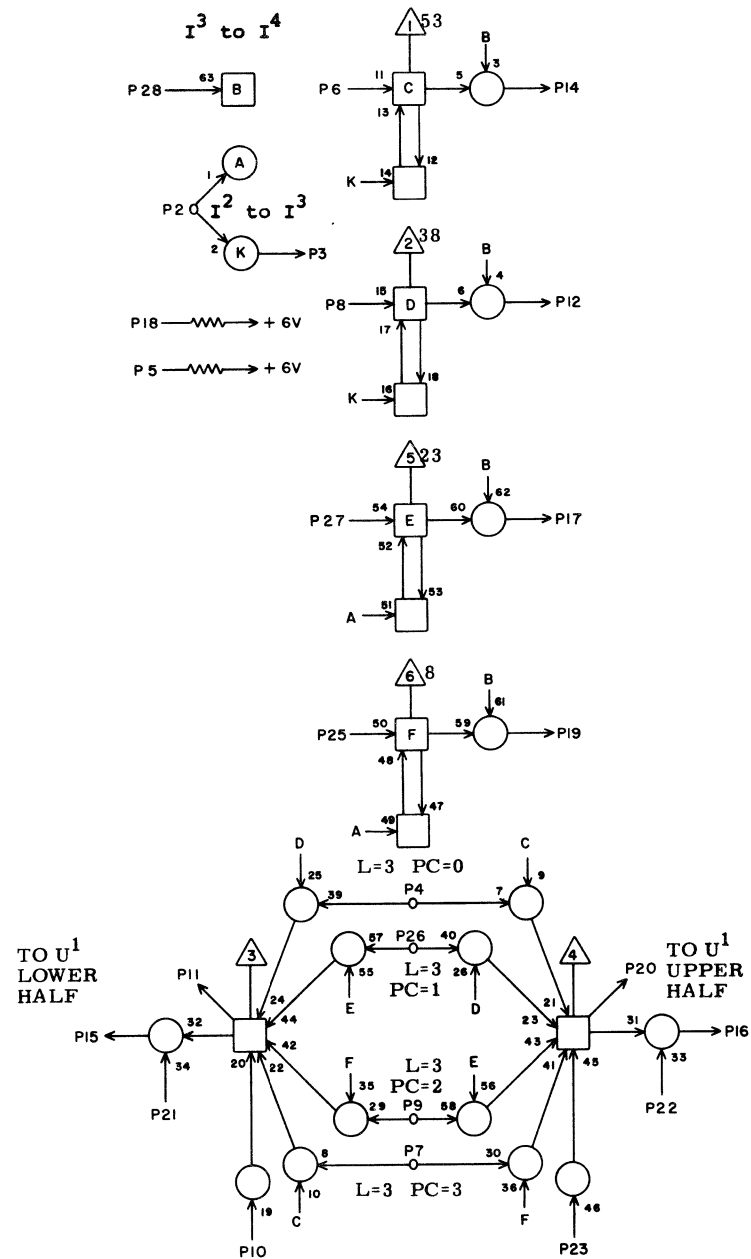
5D33

1			
2	E24	28	13
3	C33	28	5
4	C21	6	15
5	H37	14	19
6	C33	14	5
7	C22	20	15
8	C33	12	5
9	C22	6	15
10	B33	11	11
11			
12	A08	8	29
13			
14	A08	6	29
15	D23	3	13
16			
17	A08	27	27
18	D33	23	3
19	A08	25	27
20	B33	23	11
21	GRD	X	2
22			
23	D33	18	3
24			
25	C33	19	7
26	C21	20	15
27	C33	17	7
28	A08	3	29

JACK PIN LG

INSTRUCTION STACK

I3



TO U¹
LOWER
HALF

TO U¹
UPPER
HALF

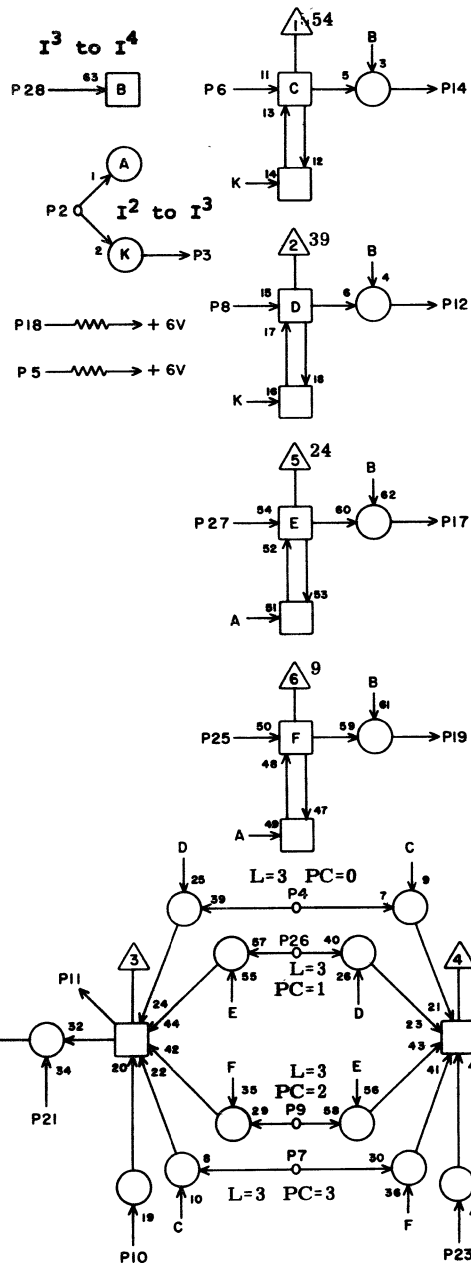
IA

5D34

1			
2	E24	21	15
3	C34	28	5
4	C21	9	15
5			
6	C34	14	5
7	C22	22	15
8	C34	12	5
9	C22	9	15
10	B34	11	11
11			
12	A09	8	29
13			
14	A09	6	29
15	D24	3	13
16			
17	A09	27	27
18	D34	23	3
19	A09	25	27
20	B34	23	11
21	GRD	X	2
22			
23	D34	18	3
24			
25	C34	19	7
26	C21	22	17
27	C34	17	7
28	A09	3	29

JACK PIN LG

INSTRUCTION STACK
I3



TO U¹
LOWER
HALF

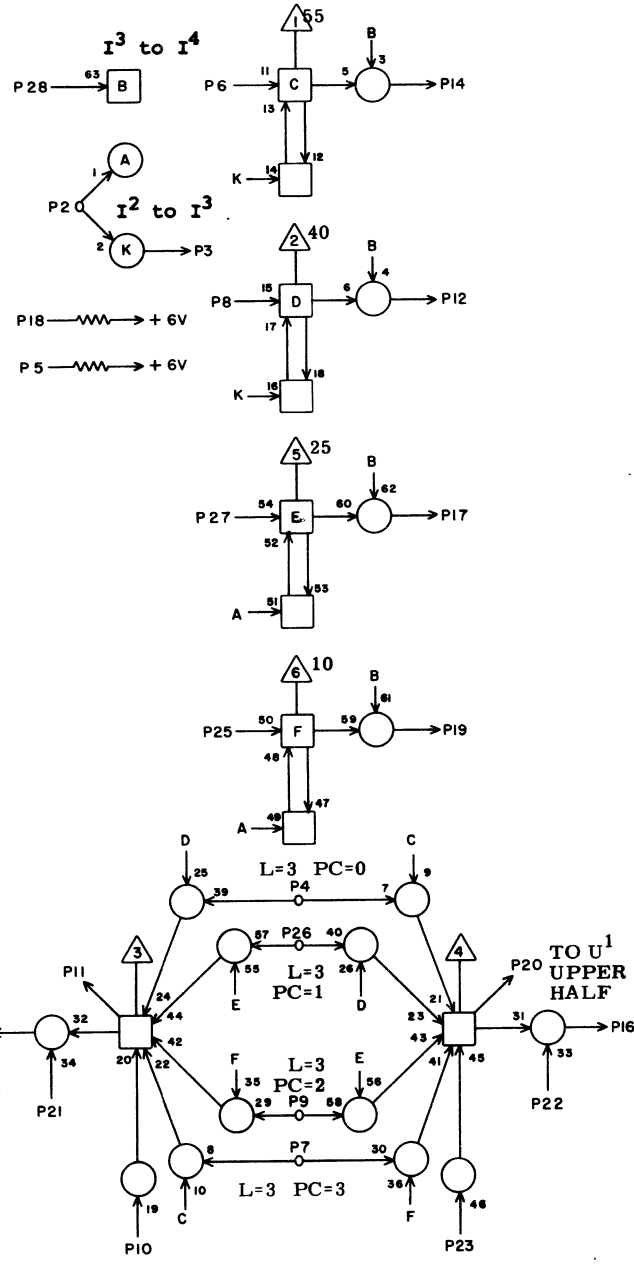
TO U¹
UPPER
HALF

IA **5D35**

1			
2	E24	19	15
3	C35	28	5
4	C21	11	17
5	H37	16	19
6	C35	14	5
7	C22	17	15
8	C35	12	5
9	C22	11	15
10	B35	11	11
11			
12	A10	8	29
13			
14	A10	6	29
15	D25	3	13
16			
17	A10	27	27
18	D35	23	3
19	A10	25	27
20	B35	23	11
21	GRD	X	2
22			
23	D35	18	3
24			
25	C35	19	7
26	C21	17	17
27	C35	17	7
28	A10	3	29

JACK PIN LG

INSTRUCTION STACK
I3



TO U¹
LOWER
HALF

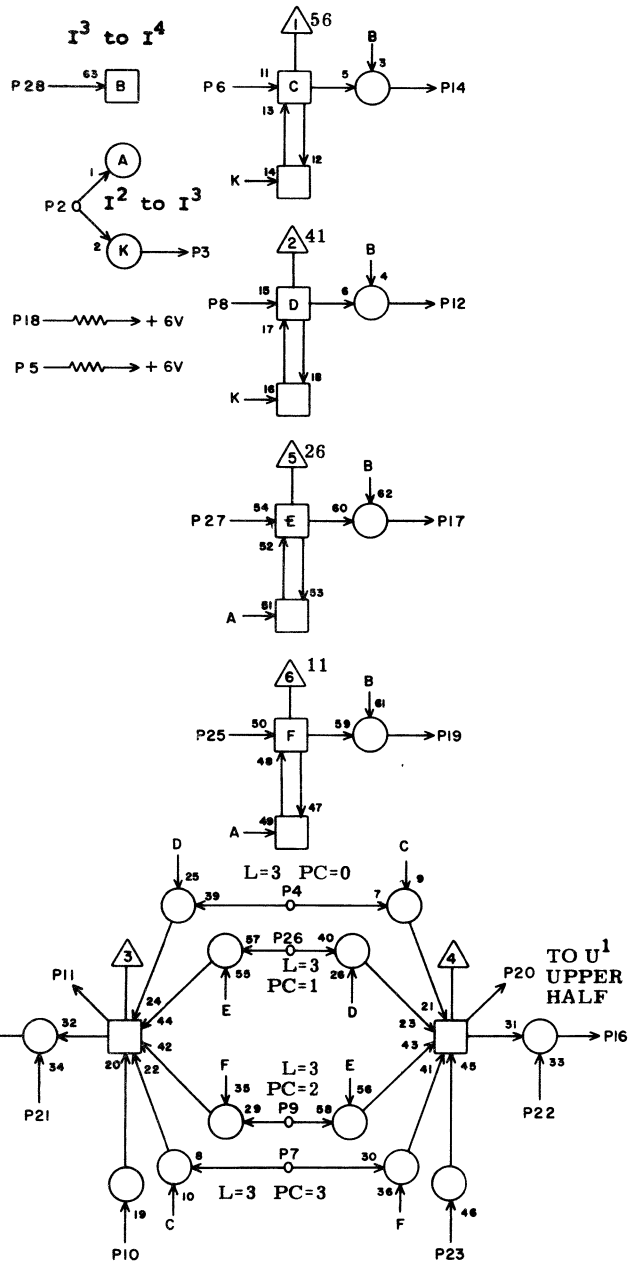
TO U¹
UPPER
HALF

IA **5D36**

1			
2	E24	17	15
3	C36	28	5
4	C21	13	17
5	I37	13	23
6	C36	14	5
7	C22	19	17
8	C36	12	5
9	C22	13	17
10	B36	11	9
11			
12	A11	8	29
13			
14	A11	6	29
15	E18	3	19
16			
17	A11	27	27
18	D36	23	3
19	A11	25	27
20	B36	23	11
21	GRD	X	2
22			
23	D36	18	3
24			
25	C36	19	7
26	C21	19	17
27	C36	17	7
28	A11	3	29

JACK PIN LG

INSTRUCTION STACK
I3

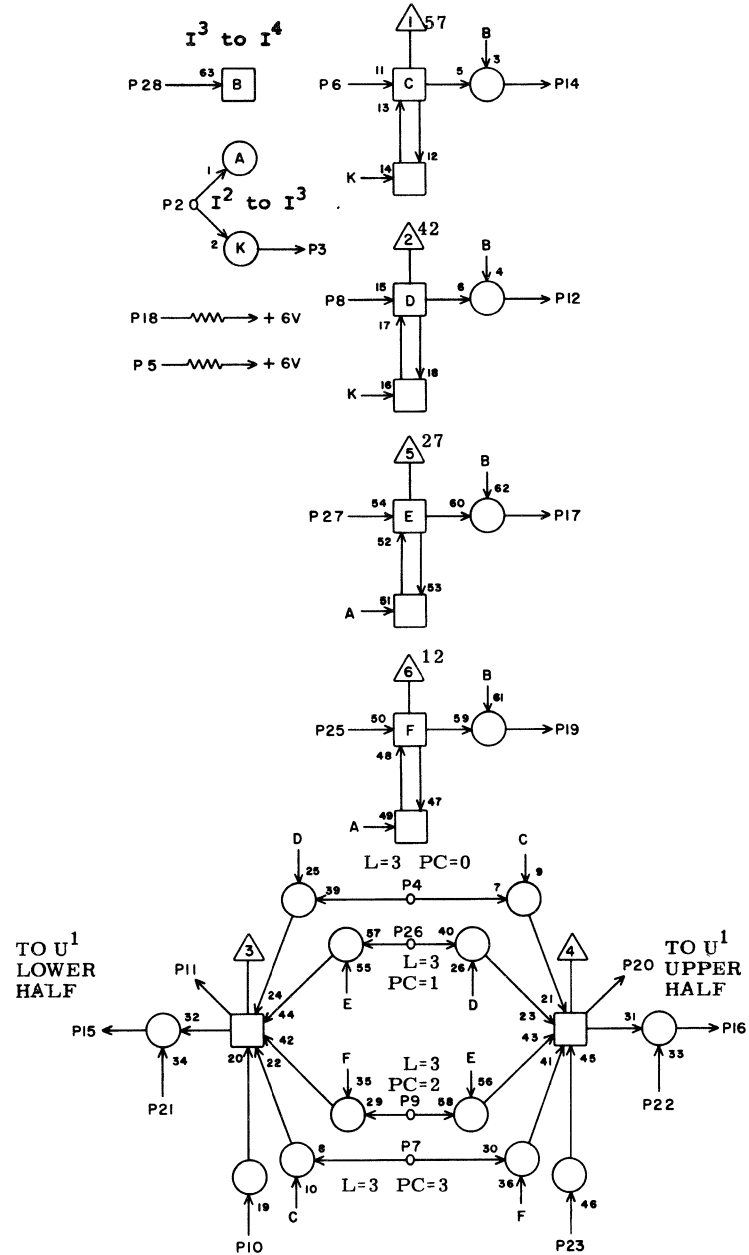


IA **5 D37**

1			
2	E24	27	17
3	C37	28	5
4	C21	8	17
5	I37	14	23
6	C37	14	5
7	C22	21	19
8	C37	12	5
9	C22	8	17
10	B37	11	11
11			
12	A12	8	29
13			
14	A12	6	29
15	E19	3	21
16			
17	A12	27	27
18	D37	23	3
19	A12	25	27
20	B37	23	11
21	GRD	X	2
22			
23	D37	18	3
24			
25	C37	19	7
26	C21	21	19
27	C37	17	7
28	A12	3	29

JACK PIN LG

INSTRUCTION STACK
I3



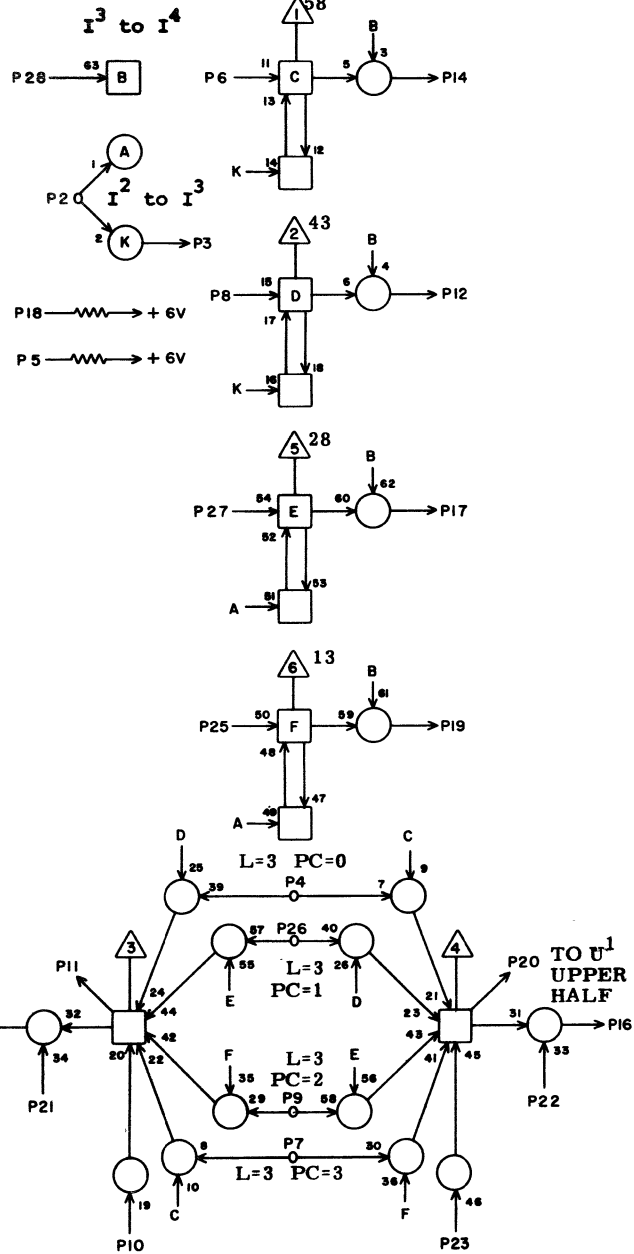
IA **5 D38**

1			
2	E25	15	17
3	C38	28	5
4	C21	10	19
5	I37	15	23
6	C38	14	5
7	C22	24	17
8	C38	12	5
9	C22	10	19
10	B38	11	11
11			
12	A13	8	29
13			
14	A13	6	29
15	E20	3	19
16			
17	A13	27	27
18	D38	23	3
19	A13	25	27
20	B38	23	11
21	GRD	X	2
22			
23	D38	18	3
24			
25	C38	19	7
26	C21	24	19
27	C38	17	7
28	A13	3	29

JACK PIN LG

INSTRUCTION STACK

I3



TO U¹
LOWER
HALF

TO U¹
UPPER
HALF

IA

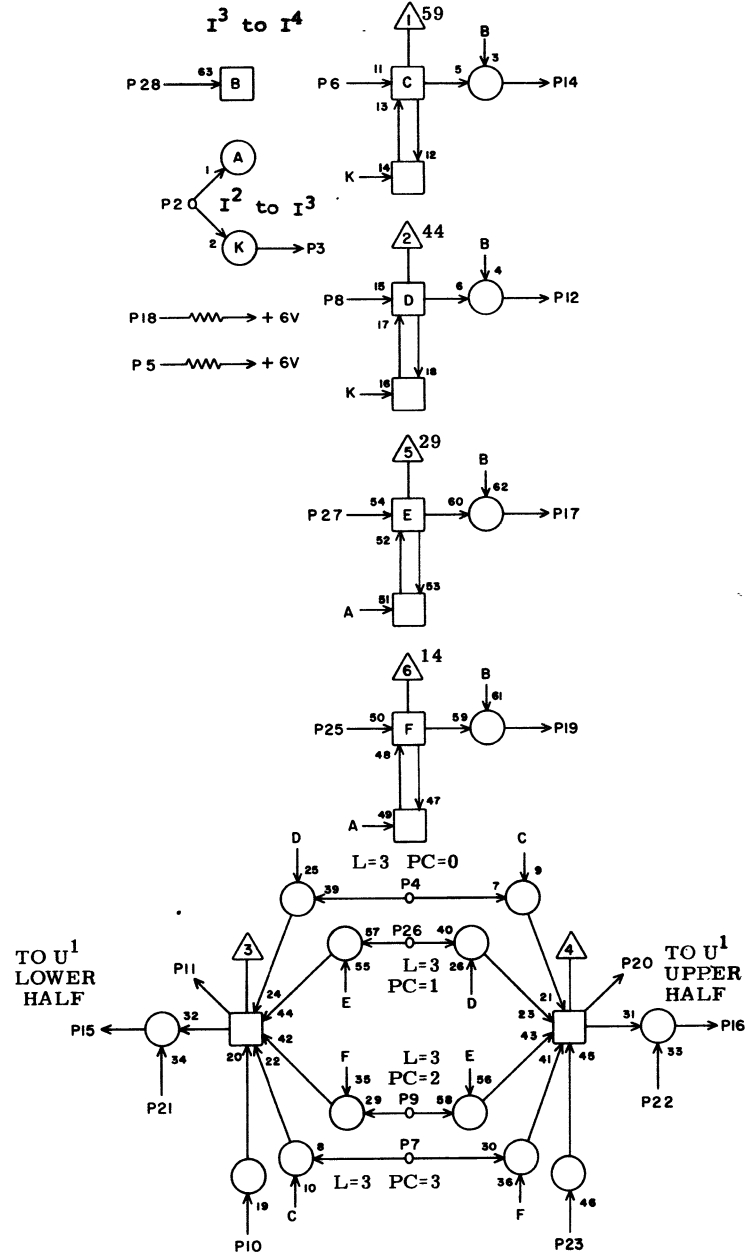
5D39

1			
2	E25	17	17
3	C39	28	5
4	C21	12	19
5	I37	16	23
6	C39	14	5
7	C22	26	19
8	C39	12	5
9	C22	12	19
10	B39	11	11
11			
12	A14	8	29
13			
14	A14	6	29
15	E21	3	19
16			
17	A14	27	27
18	D39	23	3
19	A14	25	27
20	B39	23	11
21	GRD	X	2
22			
23	D39	18	3
24			
25	C39	19	7
26	C21	26	19
27	C39	17	7
28	A14	3	29
	JACK	PIN	LG

60150800 Rev. B

INSTRUCTION STACK

I3



TO U¹
LOWER
HALF

TO U¹
UPPER
HALF

IA

5D40

1			
2	E25	19	17
3	C40	28	5
4	C21	14	21
5			
6	C40	14	5
7	C22	28	19
8	C40	12	5
9	C22	14	19
10	B40	11	11
11			
12	A15	8	29
13			
14	A15	6	29
15	E22	3	19
16			
17	A15	27	27
18	D40	23	3
19	A15	25	27
20	B40	23	11
21	GRD	X	2
22			
23	D40	18	3
24			
25	C40	19	7
26	C21	28	21
27	C40	17	7
28	A15	3	29
	JACK	PIN	LG

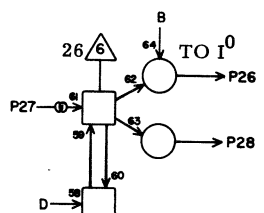
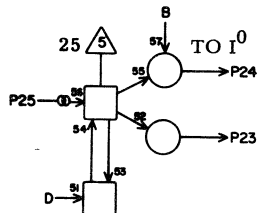
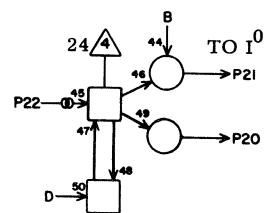
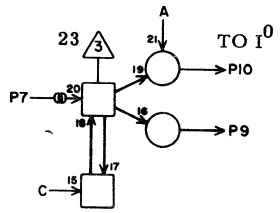
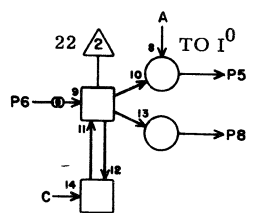
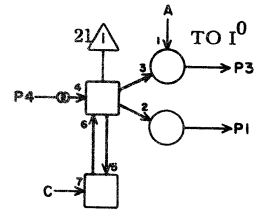
60150800 Rev. B

BUFFER INPUT REGISTER

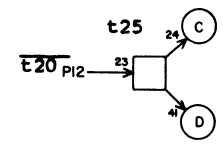
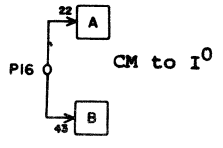
IT **5 D41**

1			
2			
3	A32	27	17
4	W01	91	
5	A33	27	17
6	W01	92	
7	W01	93	
8			
9			
10	A34	27	17
11			
12	E29	13	15
13			
14			
15			
16	A32	3	19
17			
18			
19			
20			
21	A35	27	17
22	W01	94	
23			
24	A36	27	17
25	W01	95	
26	A37	27	15
27	W01	96	
28			

JACK PIN LG



IN₂₁ - IN₂₆

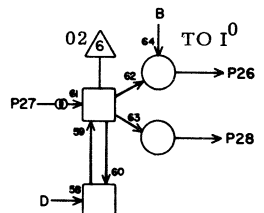
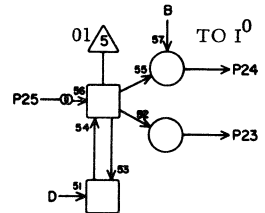
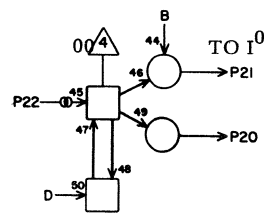
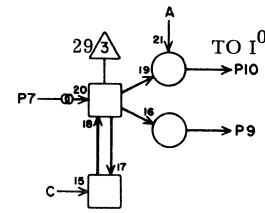
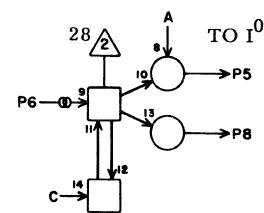
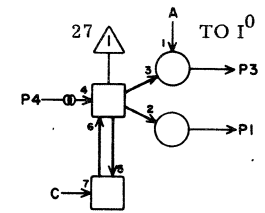


BUFFER INPUT REGISTER

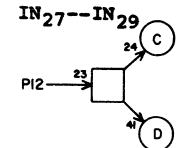
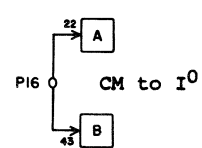
IT **5D42**

1			
2			
3	A38	27	15
4	W01	97	
5	A39	27	15
6	W01	98	
7	W01	99	
8			
9			
10	A40	27	15
11			
12	E29	1	17
13			
14			
15			
16	A33	3	19
17			
18			
19			
20			
21	A26	25	21
22	W02	904	
23			
24	A27	25	21
25	W02	905	
26	A28	25	21
27	W02	906	
28			

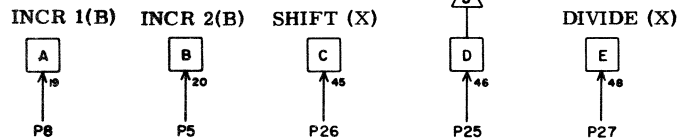
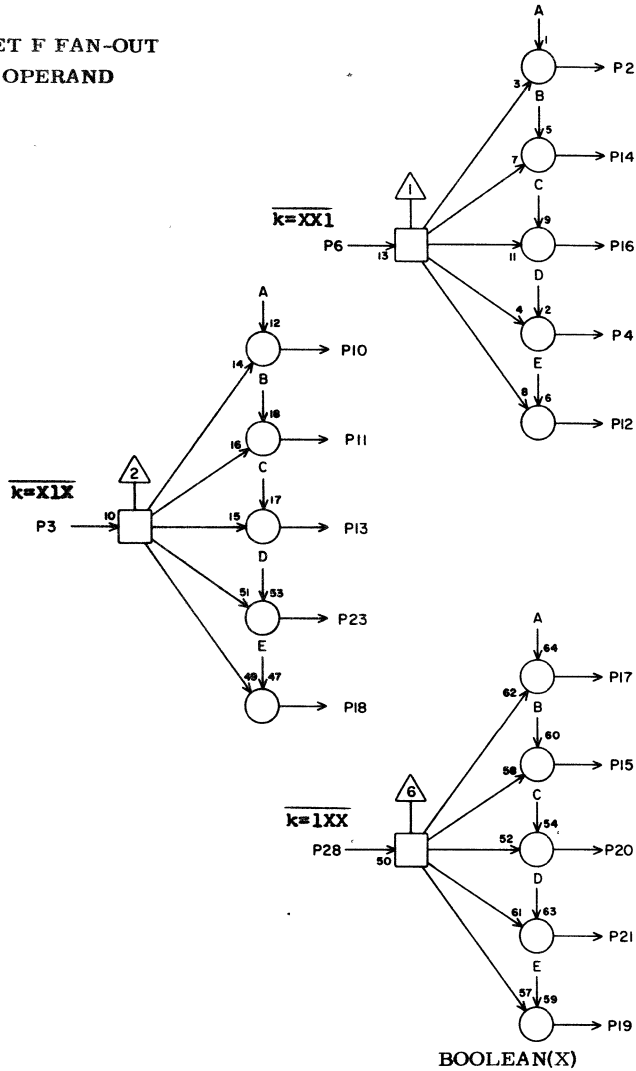
JACK PIN LG



IN₀ --- IN₂



SET F FAN-OUT
k OPERAND



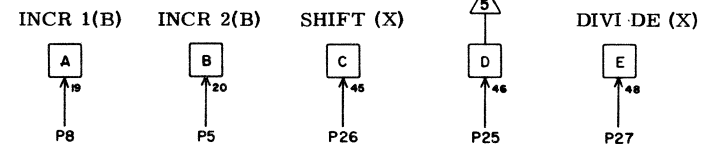
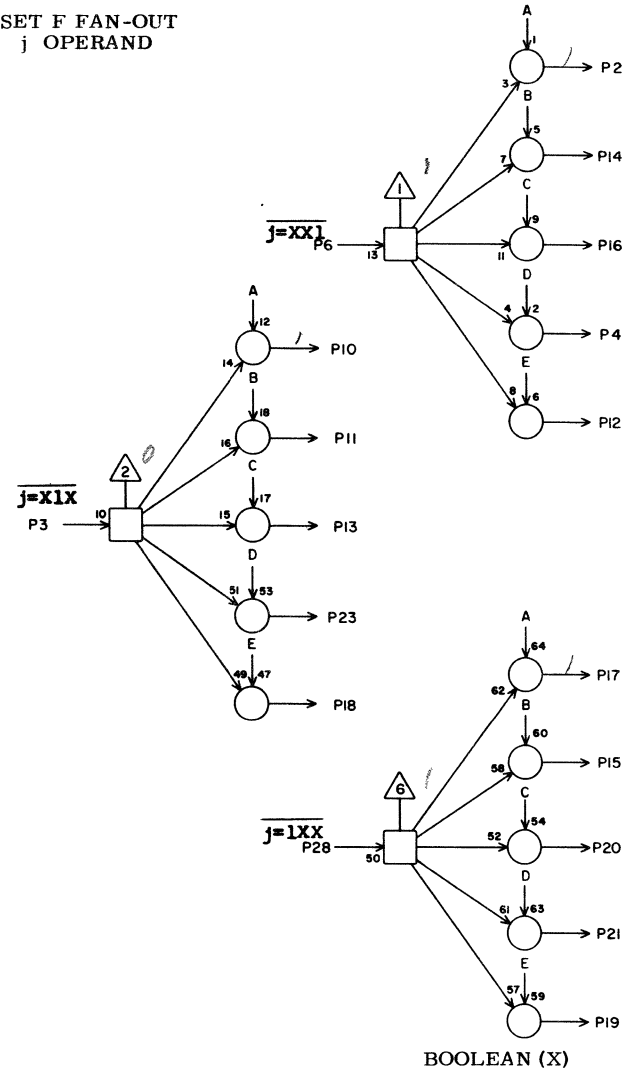
ID **5E01**

1			
2	F04	4	7
3	E11	10	13
4	G02	4	11
5	F11	7	15
6	E11	2	13
7			
8	F04	7	7
9			
10	F04	6	7
11	F11	6	15
12	G05	4	11
13	F16	8	17
14	F11	4	15
15	F11	25	15
16	F16	2	17
17	F04	25	7
18	G05	6	13
19	G05	25	13
20	F16	25	17
21	G02	25	13
22			
23	G02	6	11
24			
25	G02	7	11
26	F16	7	17
27	G05	7	13
28	E11	25	13

JACK PIN LG

60150800 Rev. B

SET F FAN-OUT
j OPERAND



ID **5E02**

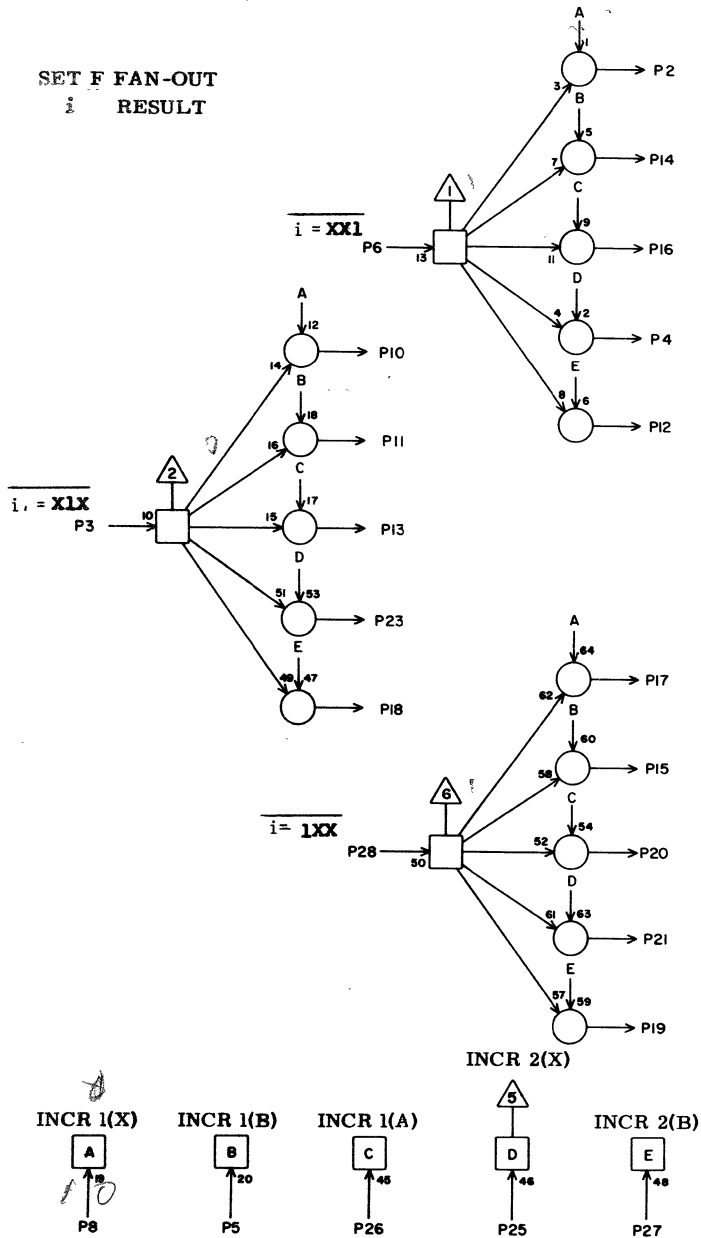
1			
2	F01	2	5
3	G20	16	21
4	F08	2	11
5	F02	7	5
6	G20	17	21
7			
8	F01	7	5
9			
10	F01	8	5
11	F02	8	5
12	F09	2	11
13	F03	8	5
14	F02	2	5
15	F02	25	7
16	F03	2	5
17	F01	25	7
18	F09	8	11
19	F09	25	13
20	F03	25	7
21	F08	25	11
22			
23	F08	8	11
24			
25	F08	7	11
26	F03	7	5
27	F09	7	11
28	G20	2	19

JACK PIN LG

60150800 Rev. B

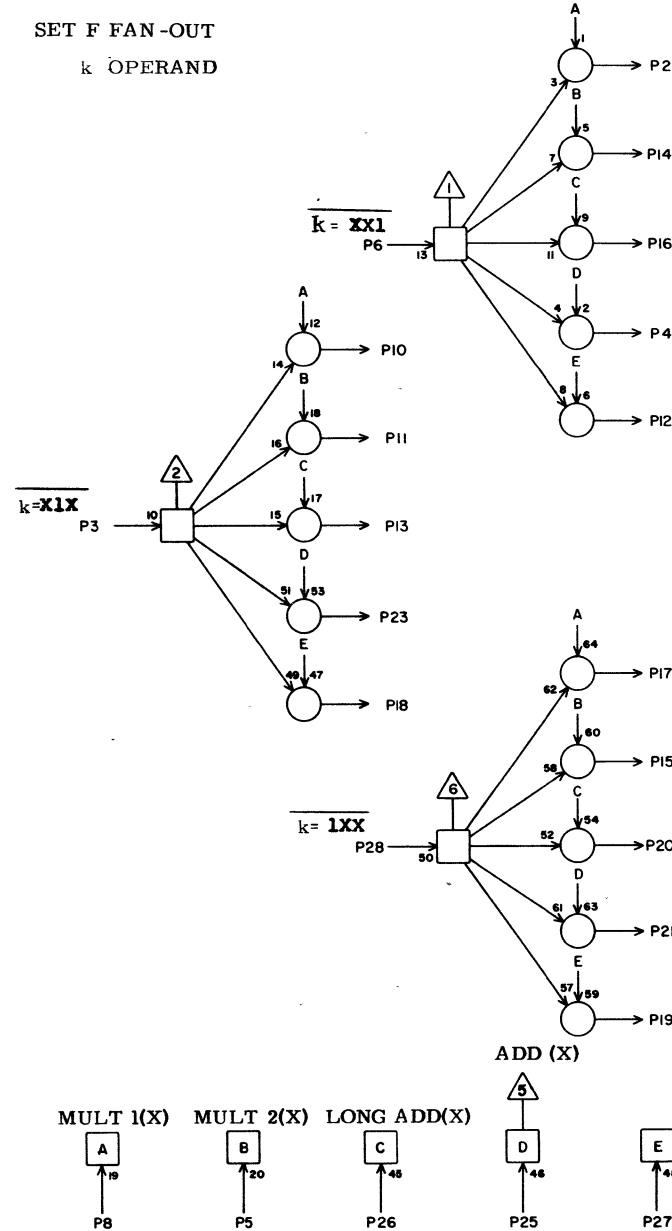
5E02

SET F FAN-OUT
i RESULT



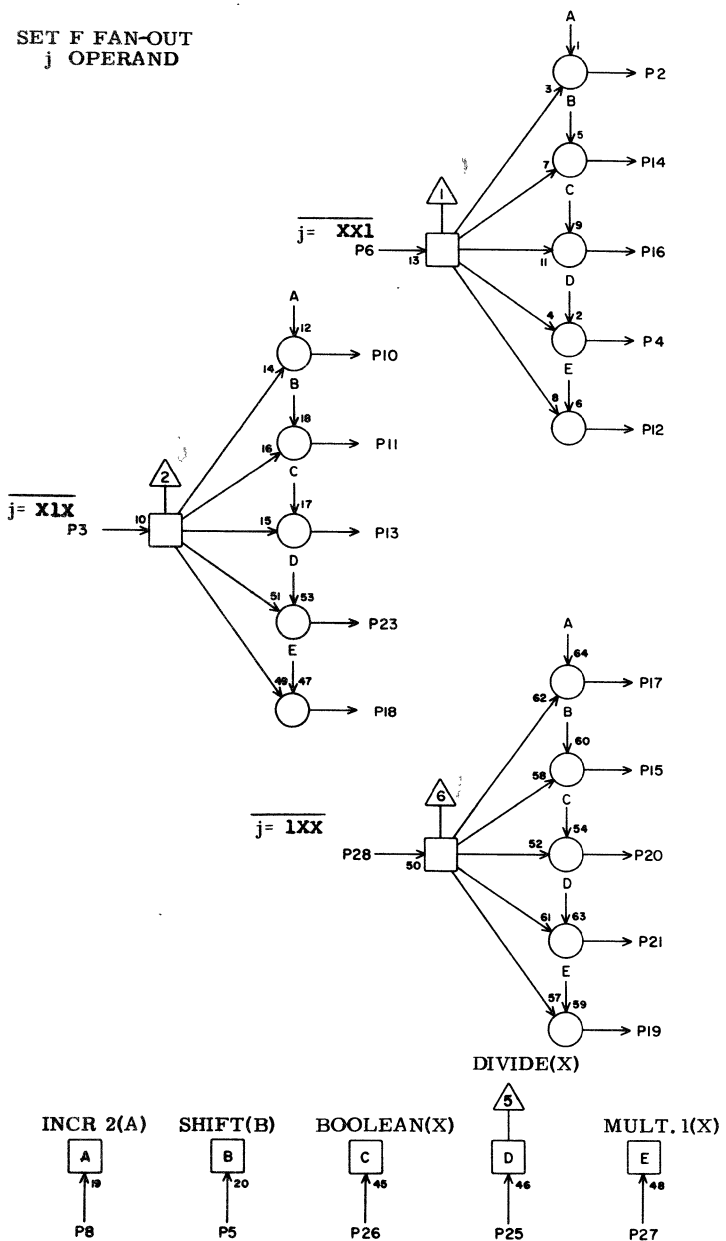
ID	5E03		
1			
2	F05	2	7
3	E11	13	11
4	F12	2	13
5	F06	7	7
6	E11	1	11
7			
8	F05	7	7
9			
10	F05	8	7
11	F06	8	7
12	F13	2	13
13	F07	8	7
14	F06	2	7
15	F06	25	7
16	F07	2	7
17	F05	25	7
18	F13	8	13
19	F13	25	15
20	F07	25	9
21	F12	25	11
22			
23	F12	8	13
24			
25	F12	7	13
26	F07	7	7
27	F13	7	13
28	E11	24	11
	JACK	PIN	LG

SET F FAN-OUT
k OPERAND



ID	5E04		
1			
2	G08	4	11
3	E11	8	11
4	G17	4	17
5	G11	7	13
6	E11	4	11
7			
8	G08	7	13
9			
10	G08	6	13
11	G11	6	13
12			
13	G14	6	15
14	G11	4	13
15	G11	25	13
16	G14	4	15
17	G08	25	13
18			
19			
20	G14	25	17
21	G17	25	19
22			
23	G17	6	17
24			
25	G17	7	17
26	G14	7	15
27			
28	E11	27	9
	JACK	PIN	LG

SET F FAN-OUT
j OPERAND

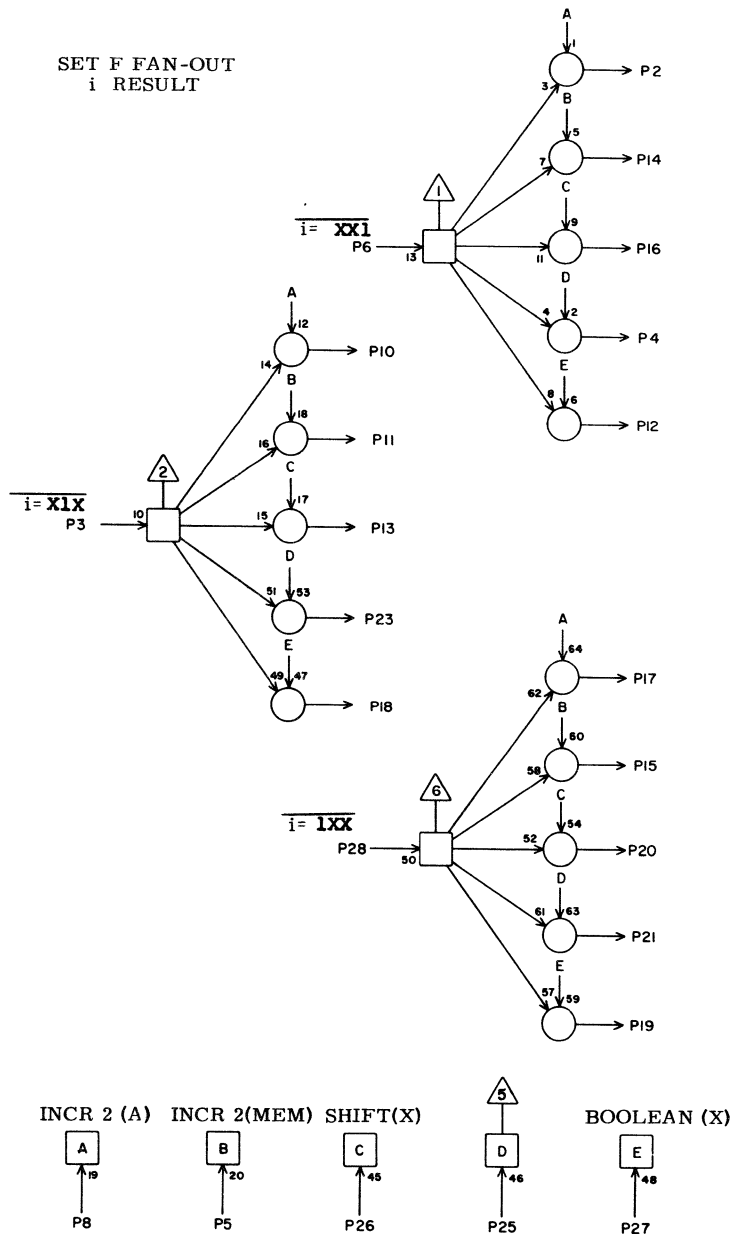


ID 5E05

1			
2	F10	2	9
3	G20	18	19
4	G04	4	11
5	F15	7	13
6	G20	19	19
7			
8	F10	7	9
9			
10	F10	8	9
11	F15	6	13
12	G07	4	11
13	G01	6	13
14	F15	4	13
15	F15	25	13
16	G01	4	13
17	F10	25	11
18	G07	6	11
19	G07	25	13
20	G01	25	13
21	G04	25	13
22			
23	G04	6	11
24			
25	G04	7	11
26	G01	7	13
27	G07	7	11
28	G20	4	19
	JACK	PIN	LG

60150800 Rev. B

SET F FAN-OUT
i RESULT



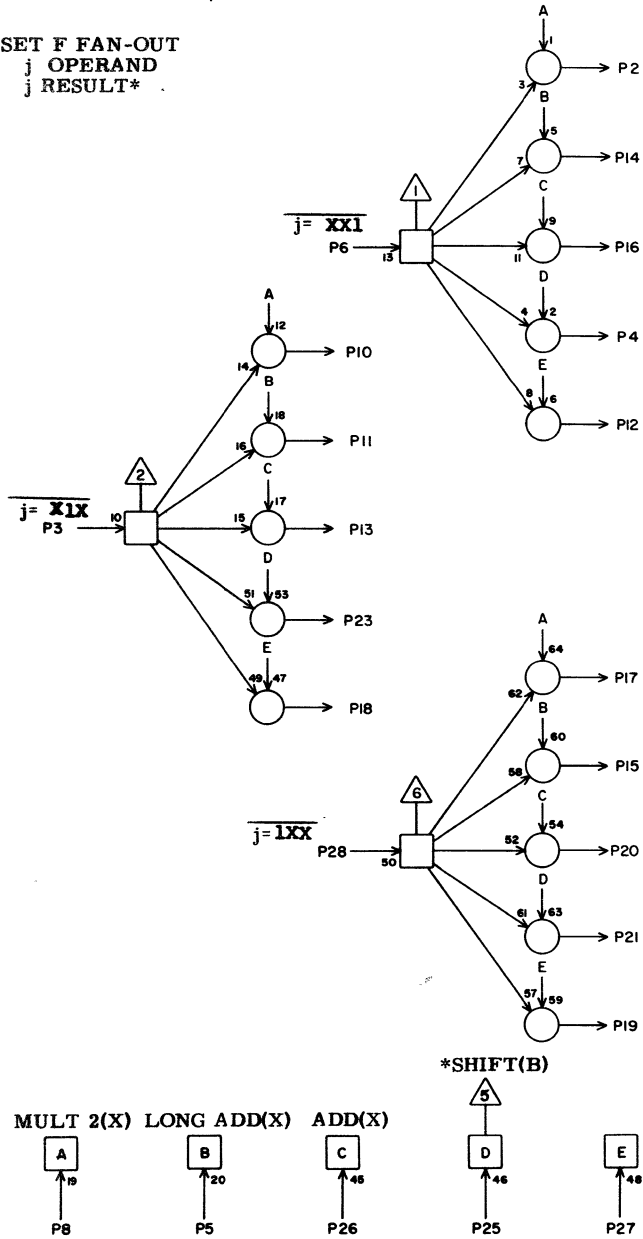
ID 5E06

1			
2	F14	2	13
3	E11	15	7
4			
5	H20	7	21
6	E11	3	7
7			
8	F14	7	13
9			
10	F14	8	13
11	H20	8	21
12	G03	4	13
13	F18	6	15
14	H20	2	21
15	H20	25	21
16	F18	4	15
17	F14	25	13
18	G03	6	13
19	G03	25	13
20	F18	25	15
21			
22			
23			
24			
25			
26	F18	7	15
27	G03	7	13
28	E11	26	7
	JACK	PIN	LG

60150800 Rev. B

5E06

SET F FAN-OUT
j OPERAND
j RESULT*



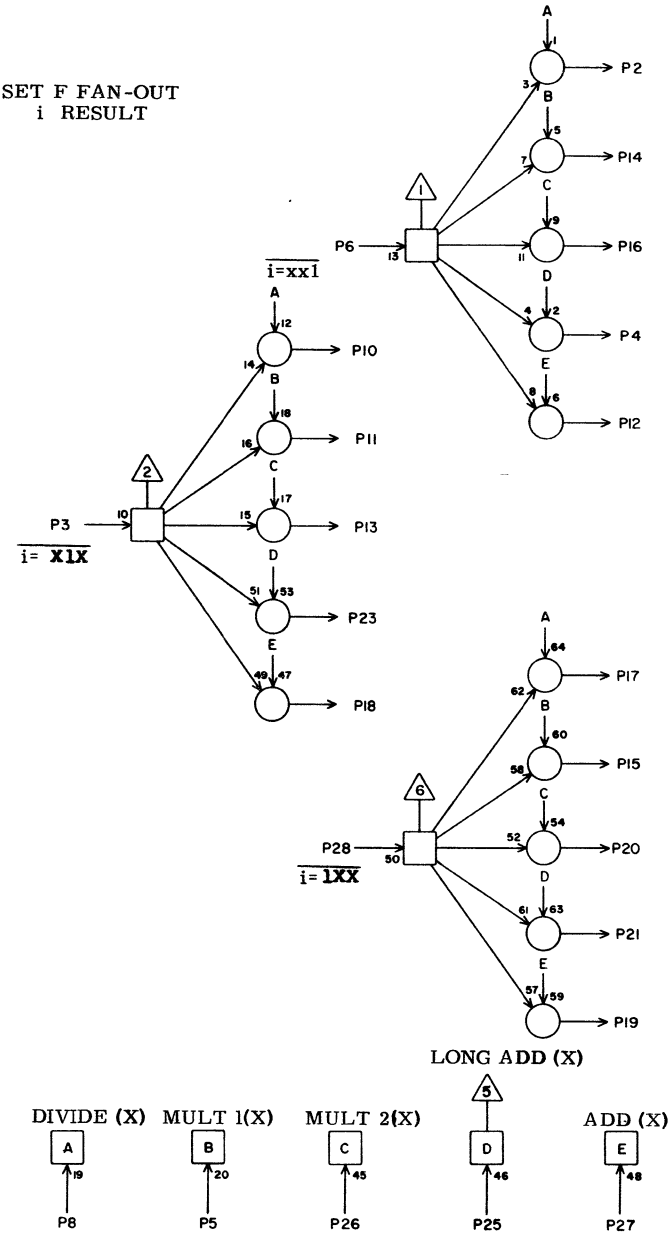
ID 5E07

1			
2	G10	4	11
3	G20	20	17
4	F19	2	15
5	G13	7	13
6	G20	23	17
7			
8	G10	7	11
9			
10	G10	6	11
11	G13	8	13
12			
13	G16	6	15
14	G13	2	13
15	G13	25	15
16	G16	4	15
17	G10	25	13
18			
19			
20	G16	25	15
21	F19	25	15
22			
23	F19	8	15
24			
25	F19	7	13
26	G16	7	15
27			
28	G20	10	17

JACK PIN LG

60150800 Rev. B

SET F FAN-OUT
i RESULT

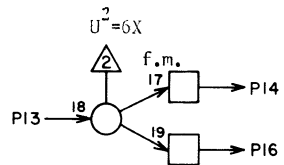
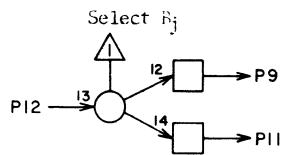


ID 5E08

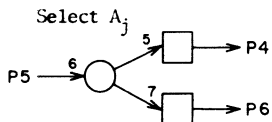
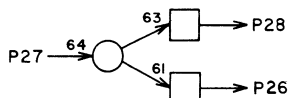
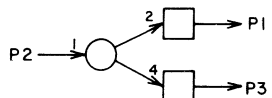
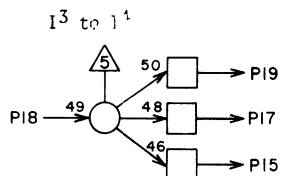
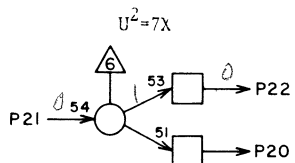
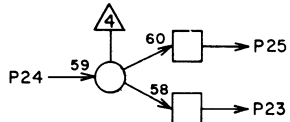
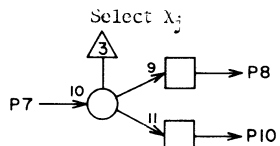
1			
2	G06	4	11
3	E11	17	7
4	G15	2	13
5	G09	7	11
6	E11	5	7
7			
8	G06	7	11
9			
10	G06	6	11
11	G09	6	11
12	G18	4	15
13	G12	6	13
14	G09	4	11
15	G09	25	13
16	G12	4	13
17	G06	25	13
18	G18	6	15
19	G18	25	17
20	G12	25	13
21	G15	25	15
22			
23	G15	8	13
24			
25	G15	7	13
26	G12	7	13
27	G18	7	15
28	E11	28	5

JACK PIN LG

60150800 Rev. B



(TAG=61)(ACCEPT)

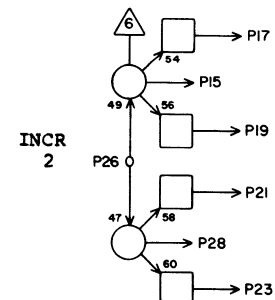
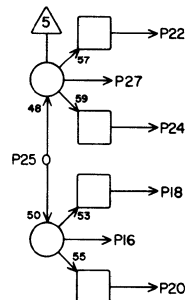
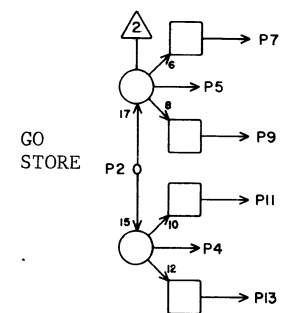
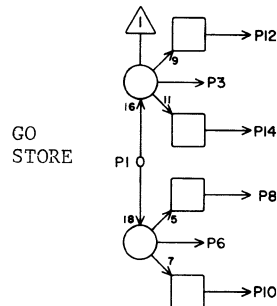


1	F35	10	27
2	G30	2	37
3	H24	24	33
4			
5	F23	18	17
6	F03	23	11
7	F23	11	17
8	F08	23	9
9	F09	23	9
10	F01	23	13
11	F02	23	13
12	F23	13	17
13	E34	12	25
14	F13	23	11
15	A13	2	19
16	F06	23	9
17	A14	2	21
18	G29	13	23
19	A15	2	19
20	F05	23	11
21	L34	16	25
22	F12	23	11
23	N28	14	41
24	P20	23	45
25	H24	1	19
26	H08	2	180
27	N26	17	180
28			

JACK PIN LG

CIRCUIT SPECIFICATION 118276 0

60150800 Rev. BF

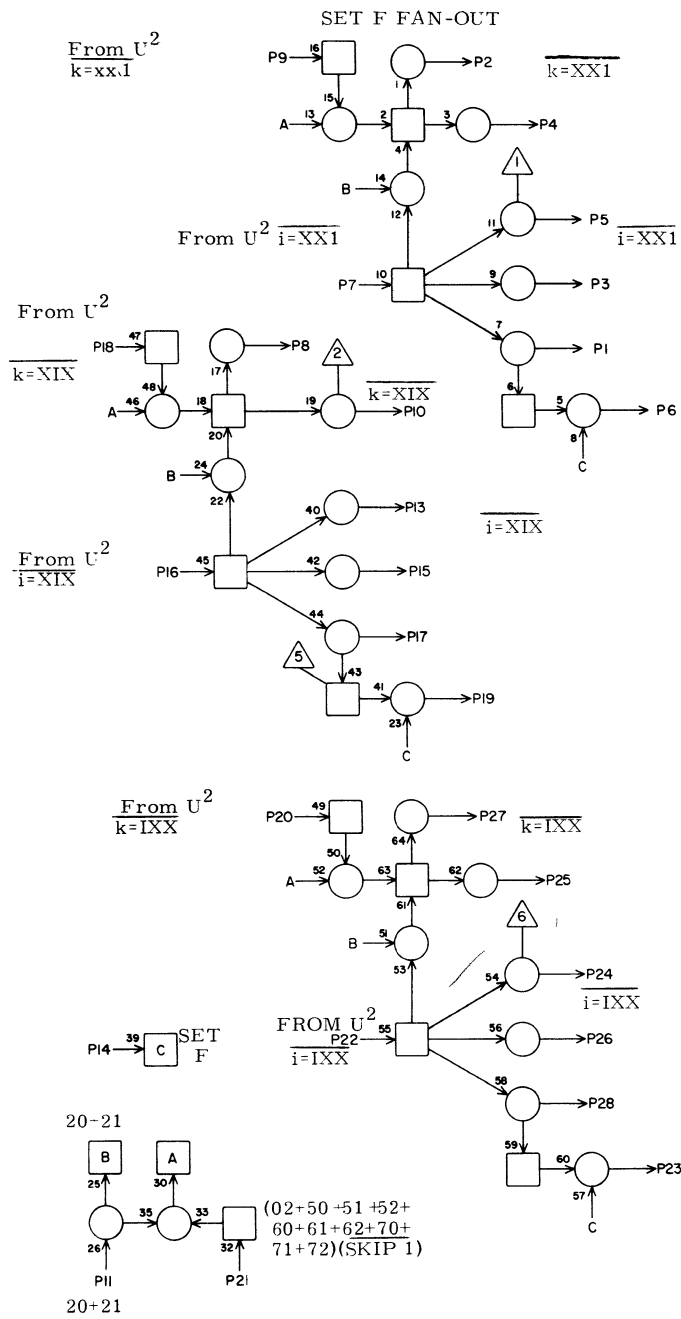


1	L01	17	31
2	L02	17	31
3	H09	7	15
4			
5	H10	7	13
6			
7	E27	12	17
8			
9			
10			
11			
12	E26	12	17
13			
14			
15	I03	16	21
16	G42	22	29
17	M20	5	33
18			
19	M22	5	33
20			
21	M24	5	35
22	I40	9	19
23	M26	5	35
24	N10	26	35
25	N28	11	39
26	G27	9	21
27	I40	22	35
28	I04	16	19

JACK PIN LG

60150800 Rev. BF

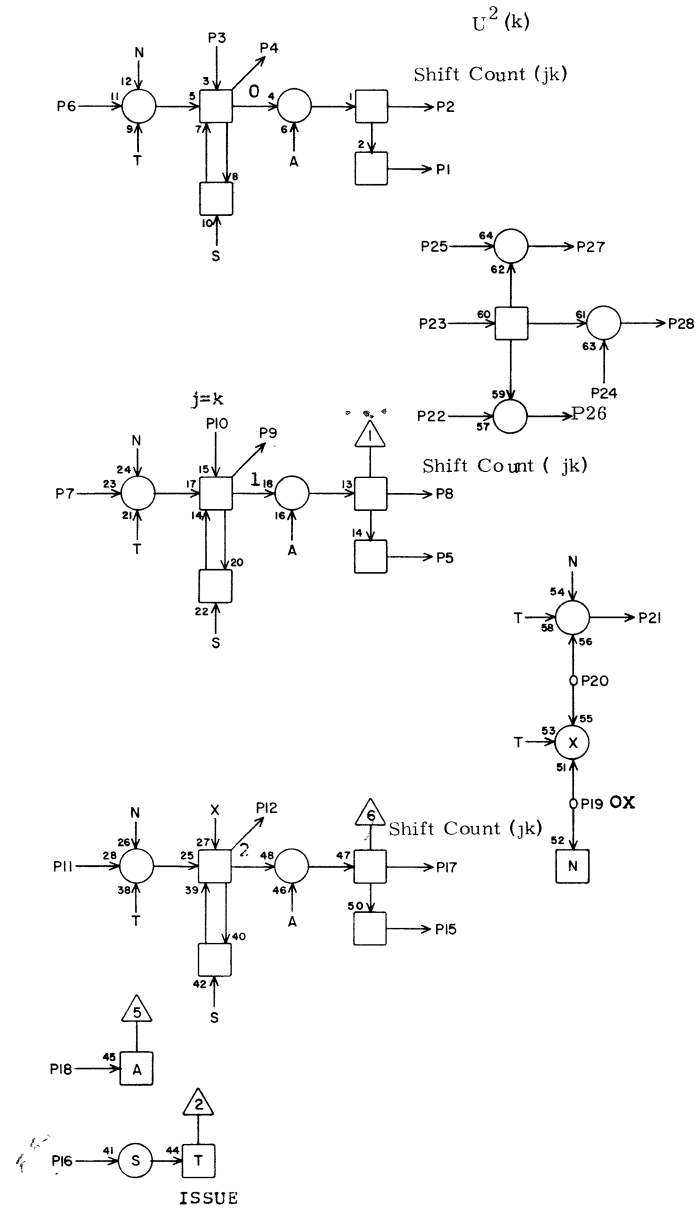
5E10



CQ **5E11**

1	E03	6	11
2	E01	6	13
3	E06	6	7
4	E04	6	11
5	E08	6	7
6	F20	2	13
7	E14	1	180
8	E04	3	11
9	E12	1	180
10	E01	3	13
11	F31	4	108
12			
13	E03	3	11
14	F20	7	13
15	E06	3	7
16	E14	28	180
17	E08	3	7
18	E12	5	180
19	F20	8	13
20	E12	15	180
21	E35	4	25
22	E14	15	180
23	F20	25	13
24	E03	28	11
25	E01	28	13
26	E06	28	7
27	E04	28	9
28	E08	28	5
	JACK	PIN	LG

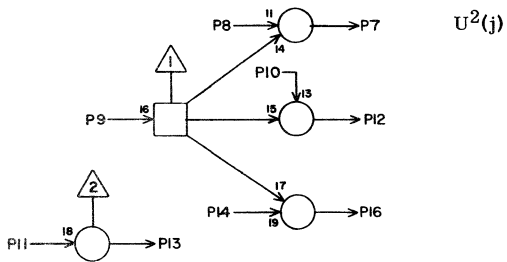
60150800 Rev. A1



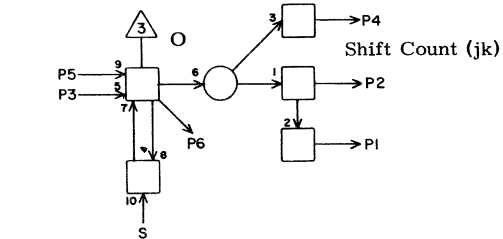
IK **5E12**

1	E11	9	180
2	O35	9	180
3	E14	10	5
4	G23	6	15
5	E11	18	180
6	D16	21	11
7	D17	21	11
8	O35	11	180
9	G23	8	15
10	E14	19	5
11	D18	21	11
12	G23	26	17
13			
14			
15	E11	20	180
16	F34	13	23
17	O35	13	180
18	B01	5	19
19	E14	20	5
20	D21	21	13
21	E13	24	3
22	F14	24	7
23	J38	1	31
24	F13	24	7
25	F12	24	7
26	H42	6	31
27	H40	6	29
28	H41	6	31
	JACK	PIN	LG

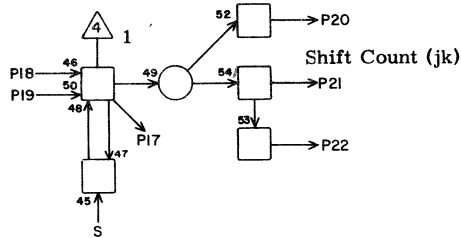
60150800 Rev. A1



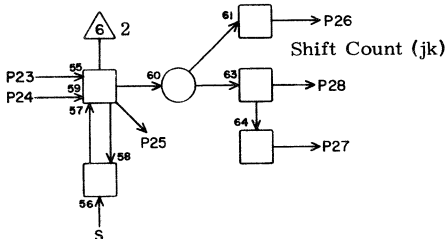
$U^2(j)$



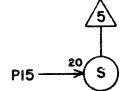
Shift Count (jk)



Shift Count (jk)



Shift Count (jk)

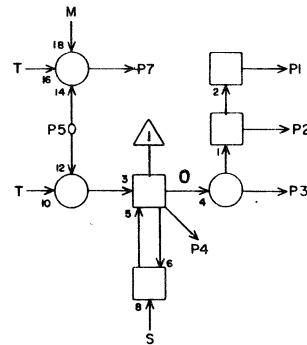


ISSUE

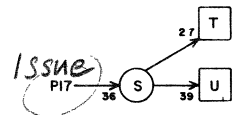
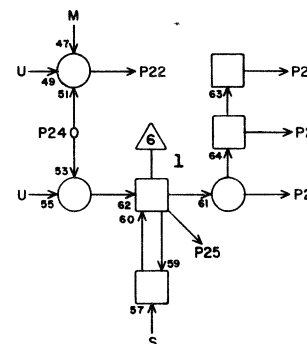
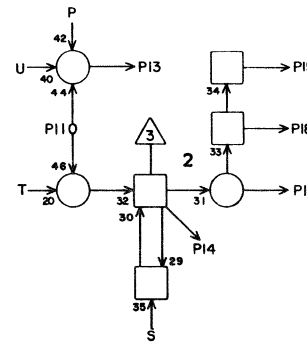
JY 5E13

1	G20	26	120
2	O35	18	180
3	E14	8	3
4	G25	6	60
5	E14	7	3
6	G22	6	13
7	H40	4	29
8	F05	24	13
9	J38	28	33
10	F06	24	13
11	E15	10	7
12	H41	4	29
13	H25	3	19
14	F07	24	13
15	F34	11	23
16	H42	4	31
17	G22	8	15
18	E14	21	3
19	E14	22	3
20	G25	8	60
21	O35	20	180
22	G20	25	120
23	E14	13	3
24	E12	21	3
25	G22	26	15
26	G25	26	60
27	G20	3	120
28	O35	22	180

JACK PIN LG



$U^2(i)$



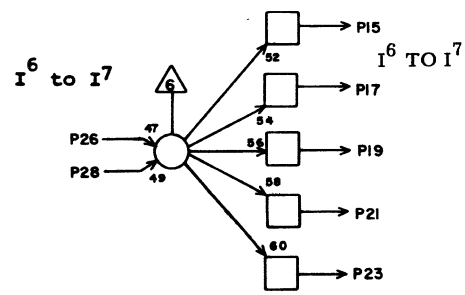
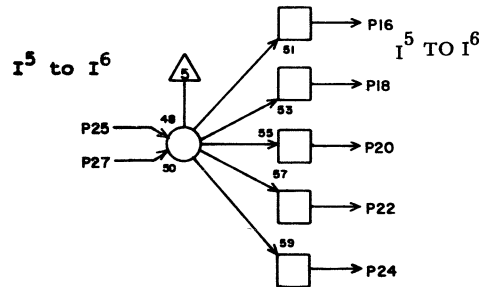
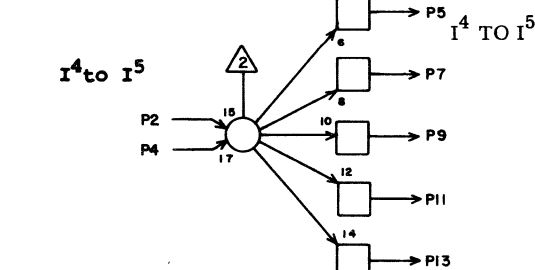
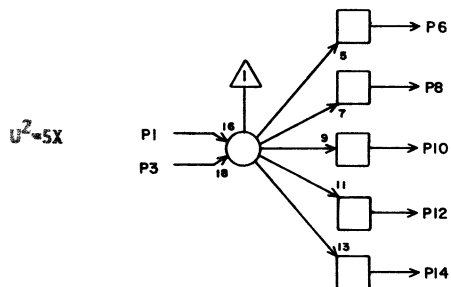
ISSUE

JX 5E14

1	E11	7	180
2	G24	6	60
3	F33	18	21
4	G21	6	60
5	D22	21	13
6	D19	21	11
7	E13	5	3
8	E13	3	3
9			
10	E12	3	5
11	D24	21	13
12	C18	8	13
13	E13	23	3
14	G21	26	60
15	E11	22	180
16	F33	15	60
17	F34	9	21
18	G24	26	60
19	E12	10	5
20	E12	19	5
21	E13	18	3
22	E13	19	3
23	D20	21	11
24	D23	21	13
25	G21	8	60
26	F33	20	21
27	G24	8	60
28	E11	16	180

JACK PIN LG

INCH FAN-OUT

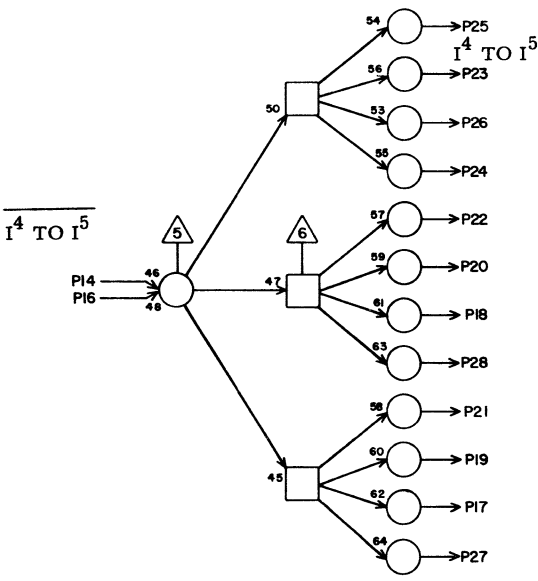
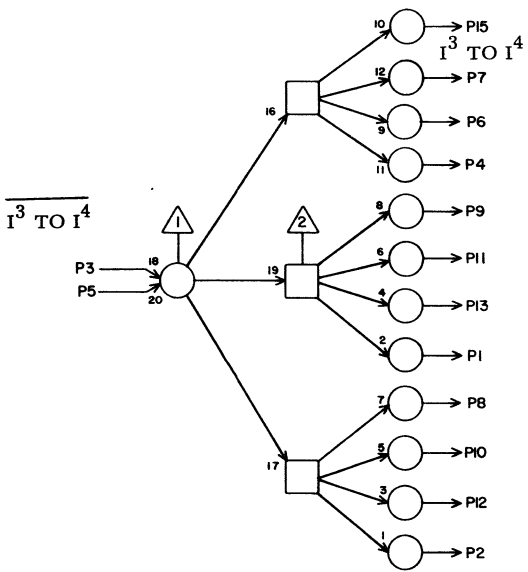


T D **5E15**

1	E34	14	25
2	G29	15	17
3	GND		
4			
5	B13	2	15
6			
7	B14	2	15
8	G33	11	27
9	B15	2	15
10	E13	11	7
11			
12	F07	23	;3
13	F37	18	23
14	F14	23	11
15	D13	2	9
16	C13	2	13
17	D14	2	19
18	C14	2	13
19	D15	2	11
20	C15	2	13
21	P10	24	45
22	F22	28	11
23			
24	F22	27	11
25	G29	4	17
26	G29	2	17
27			
28			

JACK PIN LG

INCH FAN-OUT

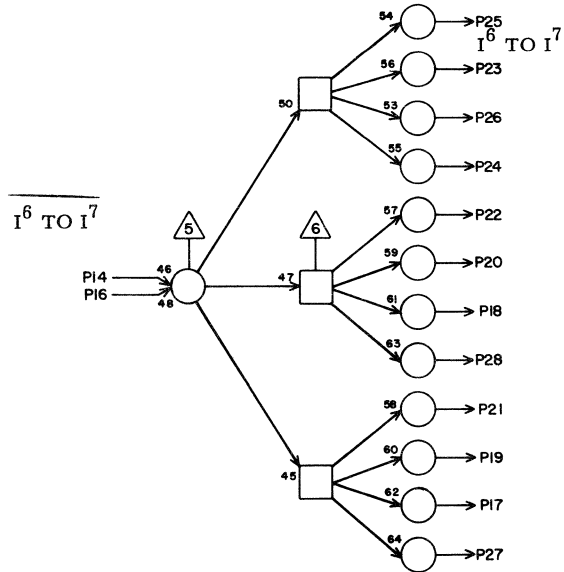
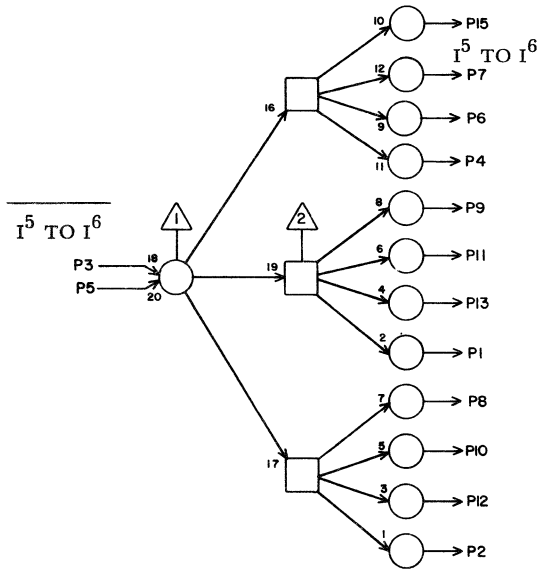


TC **5E16**

1	A08	2	21
2	A12	2	19
3	G29	12	17
4	A04	2	23
5			
6	A03	2	23
7	A02	2	25
8	A09	2	21
9	A05	2	23
10	A10	2	21
11	A06	2	23
12	A11	2	21
13	A07	2	23
14	G29	14	17
15	A01	2	25
16			
17	B11	2	17
18	B07	2	19
19	B10	2	17
20	B06	2	19
21	B09	2	17
22	B05	2	19
23	B02	2	21
24	B04	2	21
25	B01	2	23
26	B03	2	21
27	B12	2	17
28	B08	2	17

JACK PIN LG

INCH FAN-OUT



TC 5E17

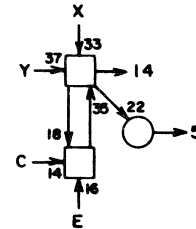
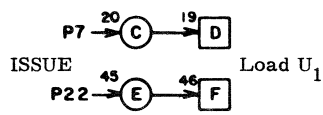
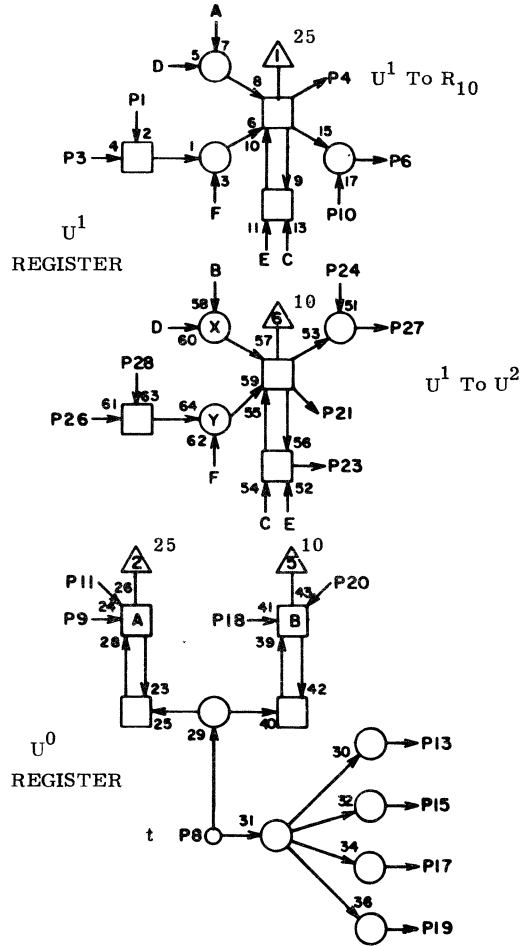
1	C08	2	15
2	C12	2	13
3	G29	3	17
4	C04	2	17
5			
6	C03	2	17
7	C02	2	19
8	C09	2	15
9	C05	2	17
10	C10	2	15
11	C06	2	17
12	C11	2	13
13	C07	2	15
14	G29	1	17
15	C01	2	19
16			
17	D11	2	13
18	D07	2	13
19	D10	2	13
20	D06	2	15
21	D09	2	13
22	D05	2	17
23	D02	2	19
24	D04	2	17
25	D01	2	19
26	D03	2	17
27	D12	2	11
28	D08	2	13

JACK PIN LG

60150800 Rev. B

LS 18057100
ASSY

A
REV



AJ

5E18

1	D11	15	11
2			
3	D36	15	19
4	M29	24	35
5	F21	18	9
6			
7	E30	12	15
8	F17	12	7
9	C11	15	13
10			
11	C36	15	21
12			
13	C11	21	13
14			
15	C36	21	21
16			
17	A36	22	25
18	A36	16	25
19	A11	22	21
20	A11	16	21
21	C18	16	13
22	E30	17	15
23	E32	7	17
24			
25			
26	B36	16	23
27	C23	23	13
28	B11	16	17

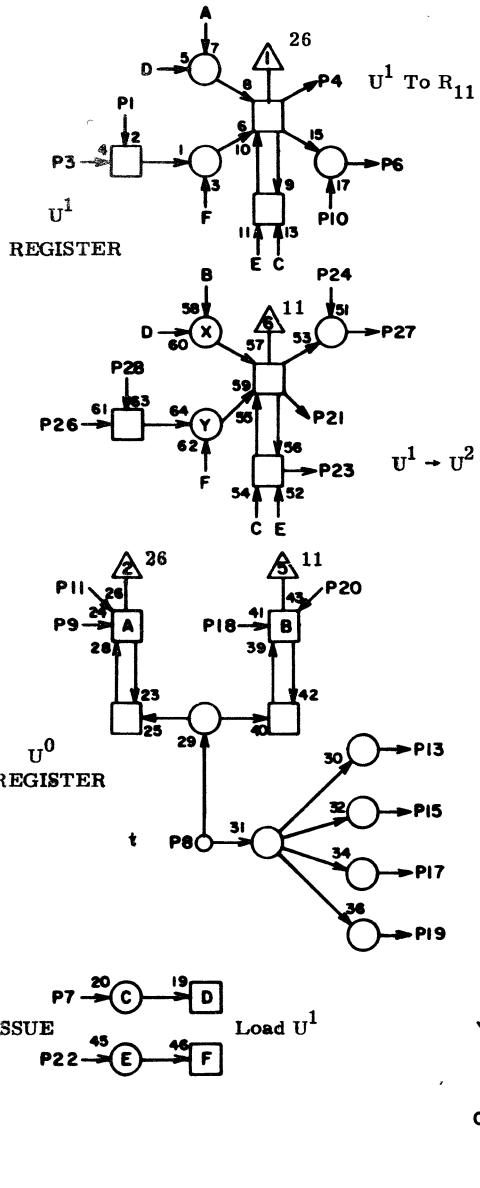
JACK PIN LG

SEE CIRCUIT SPECIFICATION

11827600

60150800 Rev. R

LS 18057100
ASSY **A**
REV



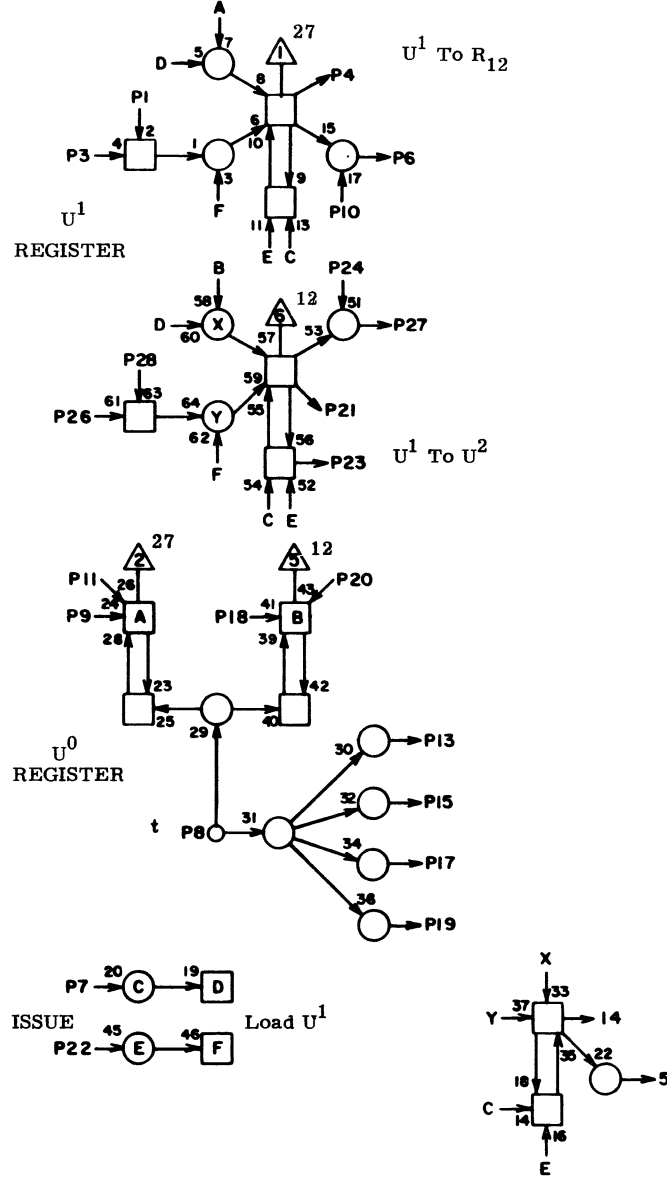
AJ

5E19

JACK	PIN	LG
1	D12	15 11
2		
3	D37	15 21
4	M29	28 35
5	F21	25 9
6		
7	E30	2 13
8	F17	2 7
9	C12	15 13
10		
11	C37	15 21
12		
13	C12	21 13
14		
15	C37	21 21
16		
17	A37	22 25
18	A37	16 25
19	A12	22 19
20	A12	16 21
21	C18	22 11
22	E30	27 15
23	E32	6 15
24		
25		
26	B37	16 23
27	C23	1 13
28	B12	16 17

SEE CIRCUIT SPECIFICATION
11827600
60150800 Rev. R

LS 18057100
ASSY **A**
REV



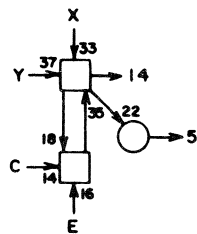
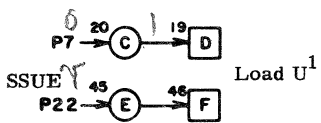
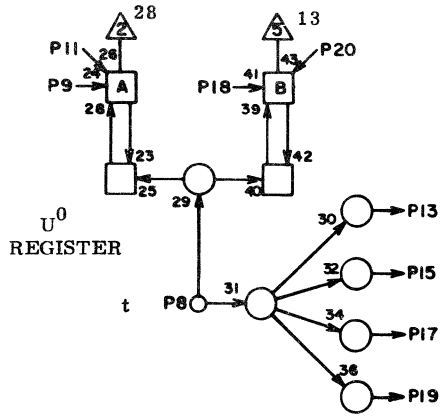
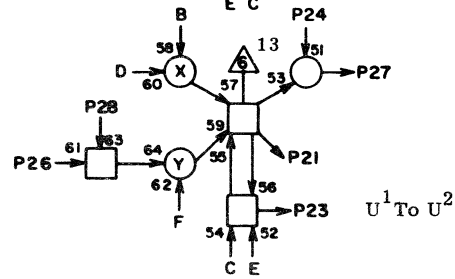
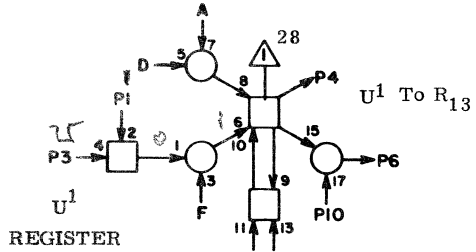
AJ

5E20

JACK	PIN	LG
1	D13	15 11
2		
3	D38	15 19
4	M30	4 33
5	F21	20 9
6		
7	E28	14 11
8	GND	X 2
9	C13	15 13
10		
11	C38	15 21
12		
13	C13	21 13
14	F35	9 15
15	C38	21 21
16		
17	A38	22 25
18	A38	16 25
19	A13	22 21
20	A13	16 21
21	C18	11 13
22	E28	22 11
23	E32	22 15
24		
25		
26	B38	16 23
27	G30	20 15
28	B13	16 17

SEE CIRCUIT SPECIFICATION
11827600
60150800 Rev. AL

LS 18057100
ASSY REV A



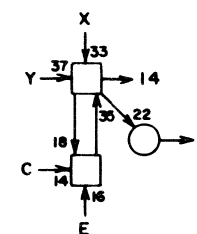
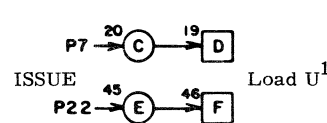
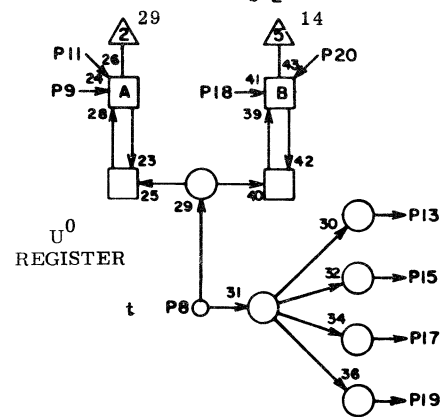
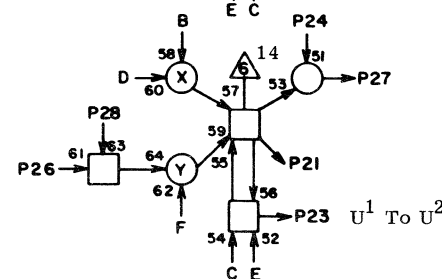
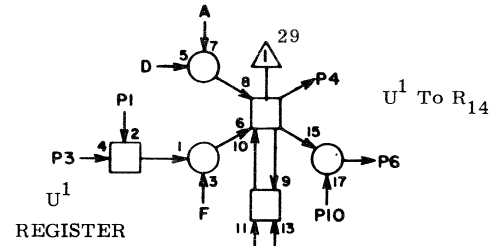
AJ

5E21

1	D14	15	11
2			
3	D39	15	19
4	M30	6	33
5	F21	22	7
6			
7	E28	8	11
8	GND	X	2
9	C14	15	13
10			
11	C39	15	21
12			
13	C14	21	13
14	F35	20	15
15	C39	21	21
16			
17	A39	22	25
18	A39	16	25
19	A14	22	19
20	A14	16	19
21	C18	13	13
22	E28	21	11
23	E32	13	15
24			
25			
26	B39	16	23
27	G30	21	15
28	B14	16	17

JACK PIN LG
SEE CIRCUIT SPECIFICATION
11827600
60150800 Rev. AL

LS 18057100
ASSY REV A

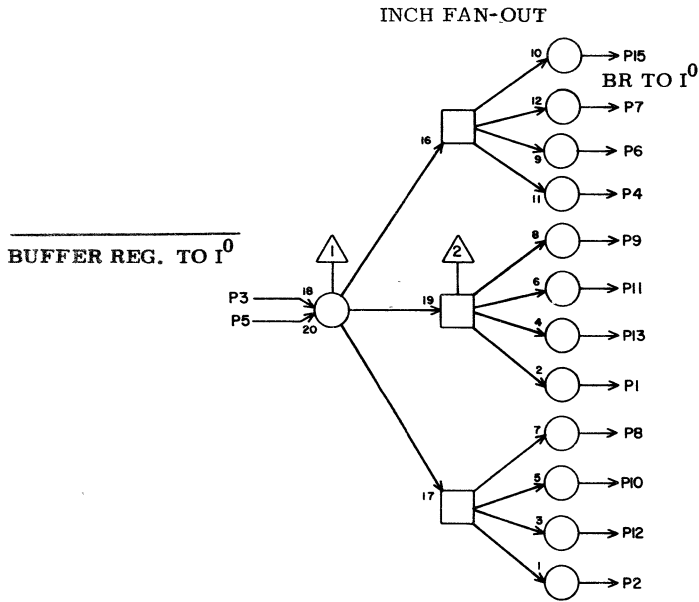


AJ

5E22

1	D15	15	11
2			
3	D40	15	19
4	M30	12	33
5	F21	24	9
6			
7	E28	7	9
8	GND	X	2
9	C15	15	13
10			
11	C40	15	21
12			
13	C15	21	13
14	F36	9	15
15	C40	21	21
16			
17	A40	22	25
18	A40	16	25
19	A15	22	19
20	A15	16	21
21	C18	3	13
22	E28	15	7
23	E32	20	13
24			
25			
26	B40	16	23
27	G30	22	15
28	B15	16	17

JACK PIN LG
SEE CIRCUIT SPECIFICATION
11827600
60150800 Rev. AL

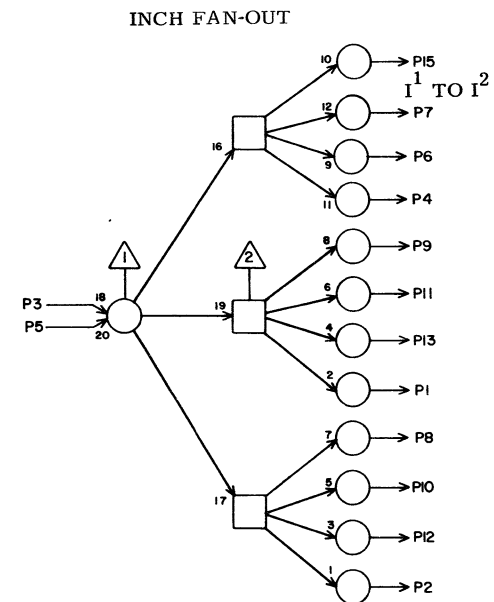


TC **5E23**

1	A33	2	21
2	A37	2	23
3	Q21	1	47
4	A29	2	21
5			
6	A28	2	19
7	A27	2	19
8	A34	2	23
9	A30	2	21
10	A35	2	23
11	A31	2	21
12	A36	2	23
13	A32	2	21
14	G29	17	13
15	A26	2	21
16			
17	B36	2	21
18	B32	2	19
19	B35	2	19
20	B31	2	17
21	B34	2	19
22	B30	2	17
23	B27	2	17
24	B29	2	17
25	B26	2	17
26	B28	2	17
27	B37	2	23
28	B33	2	19

JACK PIN LG

60150800 Rev. AB

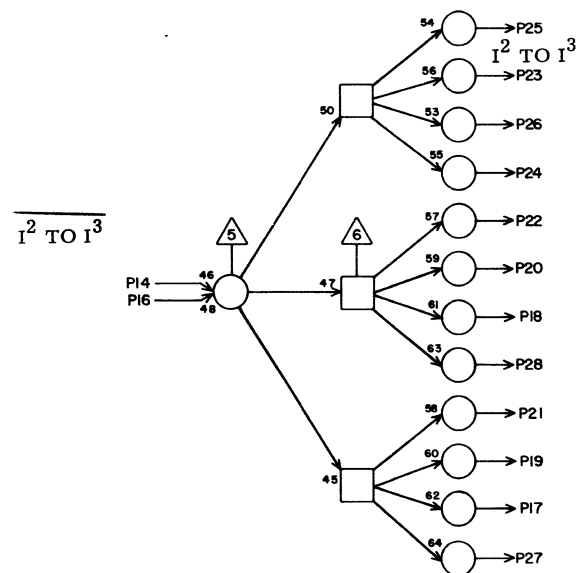
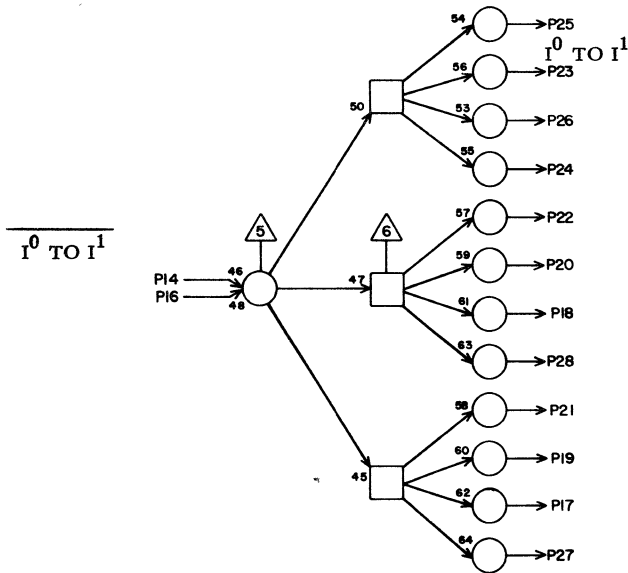


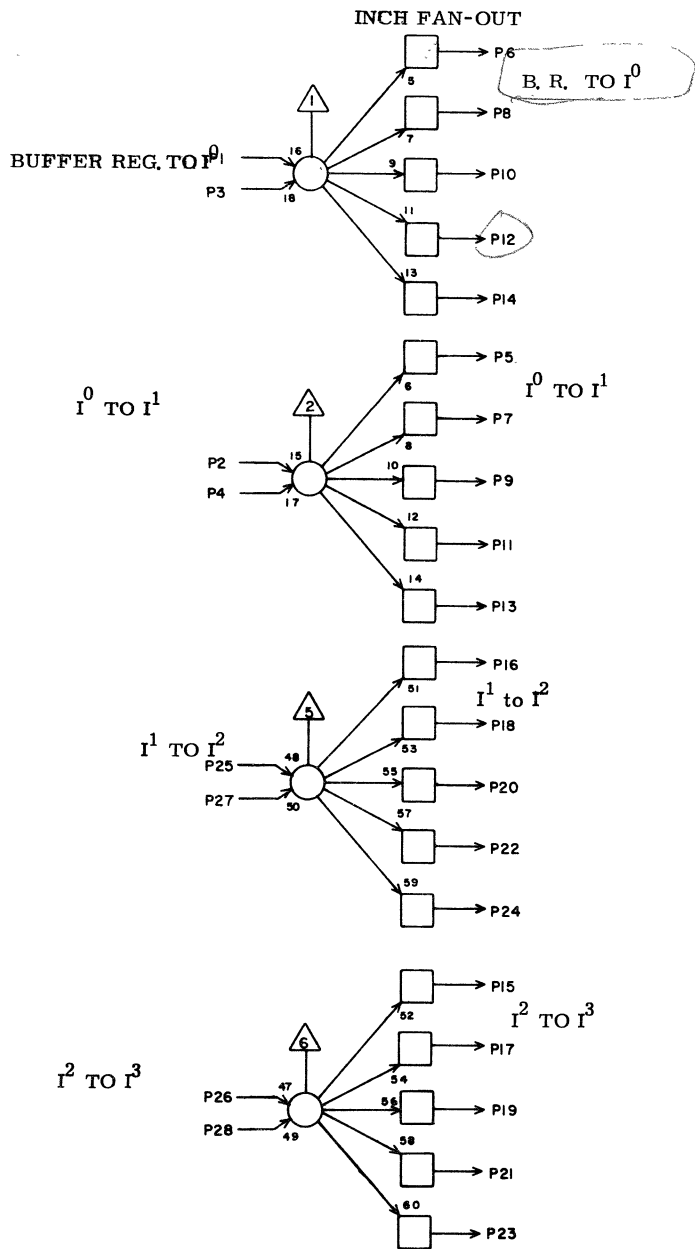
TC **5E24**

1	C33	2	13
2	C37	2	17
3	G29	26	13
4	C29	2	13
5			
6	C28	2	13
7	C27	2	13
8	C34	2	15
9	C30	2	13
10	C35	2	17
11	C31	2	15
12	C36	2	17
13	C32	2	15
14	G29	28	15
15	C26	2	13
16			
17	D36	2	15
18	D32	2	13
19	D35	2	15
20	D31	2	11
21	D34	2	15
22	D30	2	11
23	D27	2	9
24	D29	2	11
25	D26	2	7
26	D28	2	11
27	D37	2	17
28	D33	2	13

JACK PIN LG

60150800 Rev. B





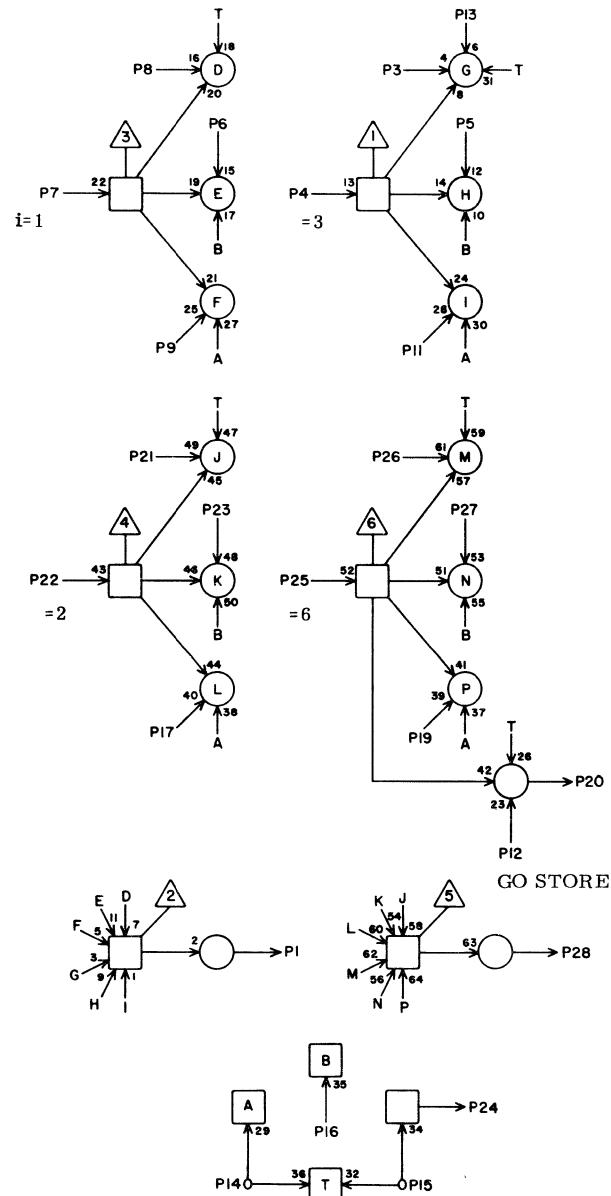
T D 5E25

1	Q21	4	49
2	G29	16	13
3			
4			
5	B38	2	19
6	A38	2	23
7	B39	2	21
8	A39	2	23
9	B40	2	21
10	A40	2	23
11			
12	P10	21	47
13			
14	Q20	22	47
15	D38	2	17
16	C38	2	19
17	D39	2	17
18	C39	2	19
19	D40	2	17
20	C40	2	19
21			
22			
23			
24			
25	G29	25	13
26	G29	27	13
27			
28			

JACK PIN LG

60150800 Rev AB

LS 63045300 D RESULT REGISTER RESERVATION TEST_{HH}



5E26

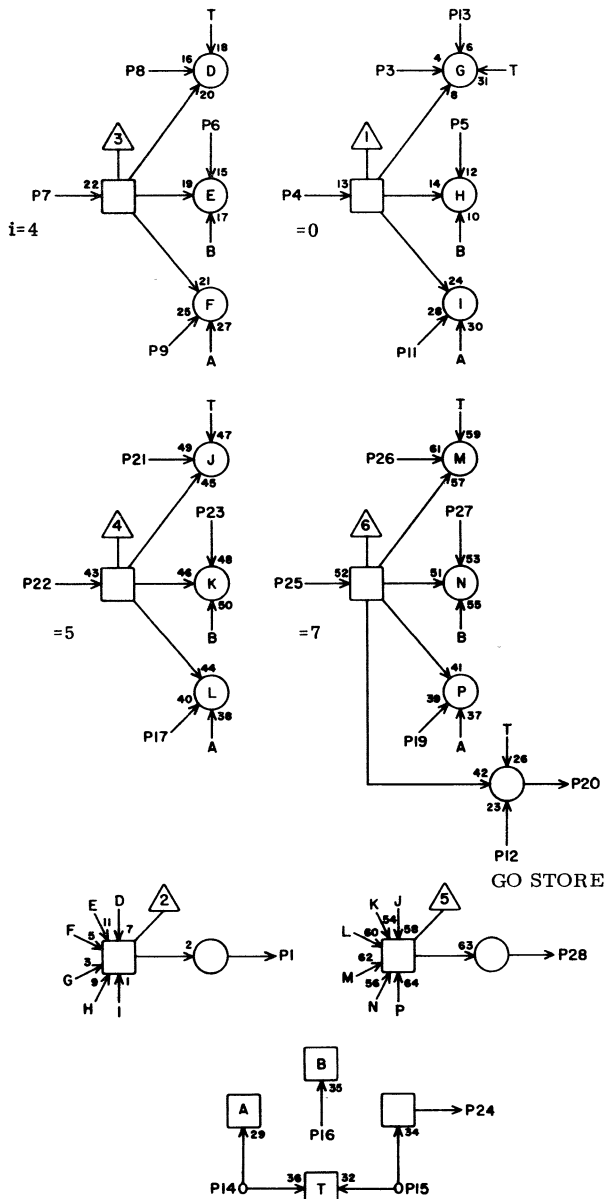
1	E31	9	7
2			
3	H04	28	27
4	G21	20	13
5	H12	14	21
6	H10	14	23
7	G21	1	13
8	H02	28	27
9	H10	15	23
10			
11	H12	15	21
12	E10	12	17
13			
14	F23	14	9
15	F32	3	9
16	F24	14	7
17	H11	15	23
18			
19	N13	15	39
20	E31	10	7
21	H03	28	27
22	G21	21	13
23	H11	14	21
24			
25	G21	2	13
26	H07	28	23
27	N13	14	39
28	E31	11	7

JACK PIN LG

CIRCUIT SPECIFICATION 11827600

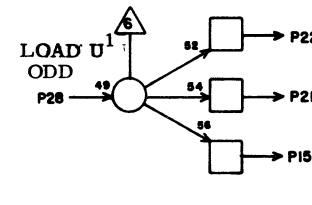
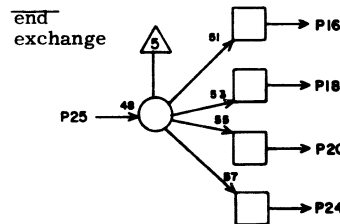
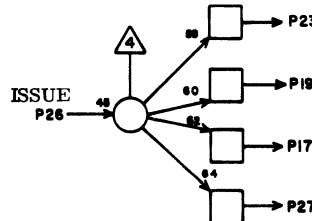
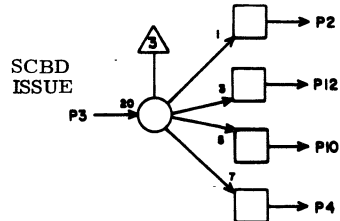
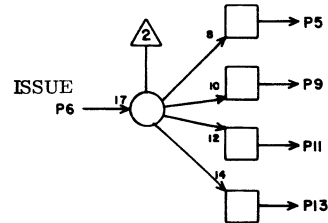
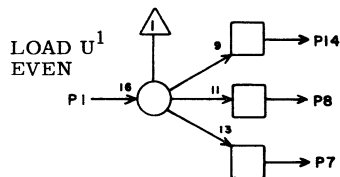
60150800 Rev B

RESULT REGISTER RESERVATION TEST



1	E31	17	7
2			
3	H01	28	27
4	G21	23	15
5	H09	14	23
6	N11	14	41
7	G21	17	15
8	H05	28	27
9	N11	15	41
10			
11	H09	15	23
12	E10	7	17
13	E27	24	3
14	F23	15	9
15	F32	9	9
16	F24	15	9
17	N12	15	39
18			
19	N14	15	39
20	E31	12	7
21	H06	28	27
22	G21	4	13
23	N12	14	41
24	E27	13	3
25	G21	28	15
26	H08	28	23
27	N14	14	39
28	E31	19	7

JACK PIN LG
CIRCUIT SPECIFICATION I1827600
60150800 Rev BA

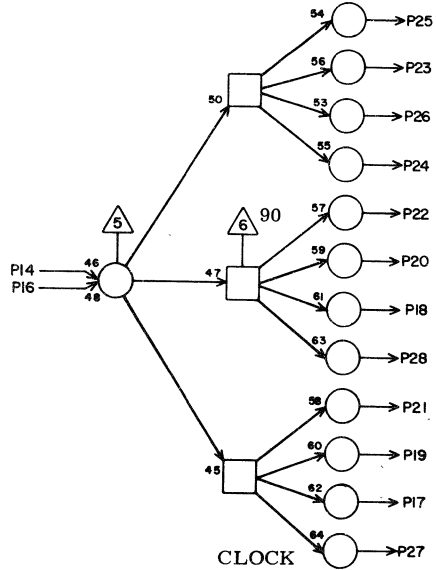
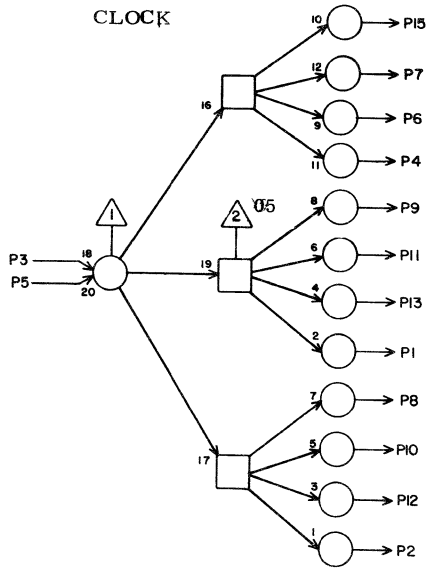


1	G28	25	13
2	G38	5	15
3	F34	19	11
4	G38	23	17
5	E32	11	7
6	F34	1	9
7	E22	7	9
8	E21	7	11
9	019	2	43
10			
11	G37	16	15
12	P10	23	47
13	H36	16	17
14	E20	7	11
15	E22	22	7
16	F37	20	13
17	F31	14	7
18	F26	16	7
19	Q18	2	47
20			
21	E21	22	11
22	E20	22	11
23	G40	6	60
24			
25	G40	7	41
26	F34	7	11
27	Q05	18	51
28	G28	19	13

JACK PIN LG
60150800 Rev AJ

LS 63063500
ASSY

REV



TC

5E29

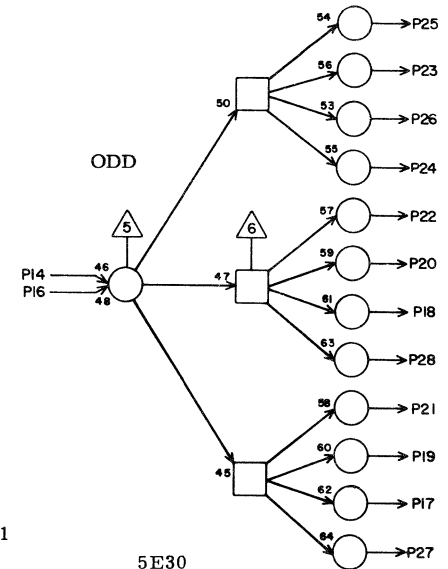
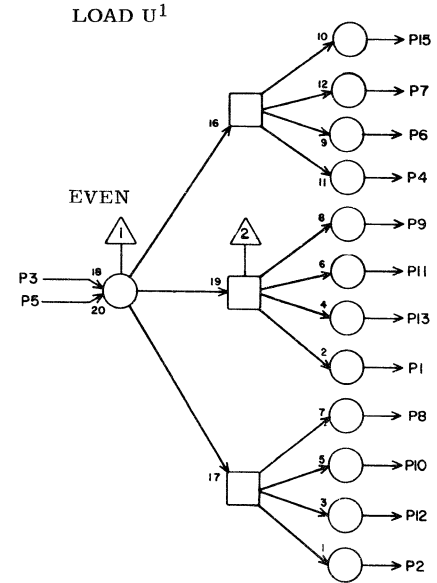
1	D42	12	17
2			
3	I25	18	19
4	B42	12	19
5	GRD	X	2
6	B41	12	19
7	A42	12	23
8	E41	12	17
9	C41	12	17
10	E42	12	17
11	C42	12	17
12	P12	3	47
13	D41	12	15
14	I22	25	21
15	A41	12	23
16			
17			
18			
19			
20	N07	22	43
21	G31	20	13
22	R13	27	51
23	H19	14	17
24	G19	14	15
25	G30	5	11
26	L05	15	39
27	I42	17	27
28			

JACK PIN LG
CIRCUIT SPECIFICATION I1827600

60150800 Rev AC

LS 63063500
ASSY

REV



TC

5E30

1	D23	7	11
2	E19	7	13
3	G28	23	13
4	D19	7	13
5			
6	D18	7	15
7	D17	7	15
8	D24	7	9
9	D20	7	13
10	D25	7	9
11	D21	7	13
12	E18	7	15
13	D22	7	13
14	G28	21	13
15	D16	7	17
16			
17	E18	22	15
18	D22	22	13
19	D25	22	11
20	D21	22	13
21	D24	22	11
22	D20	22	13
23	D17	22	17
24	D19	22	15
25	D16	22	17
26	D18	22	15
27	E19	22	15
28	D23	22	11

JACK PIN LG
CIRCUIT SPECIFICATION I1827600

60150800 Rev B

LOAD U1

5E30

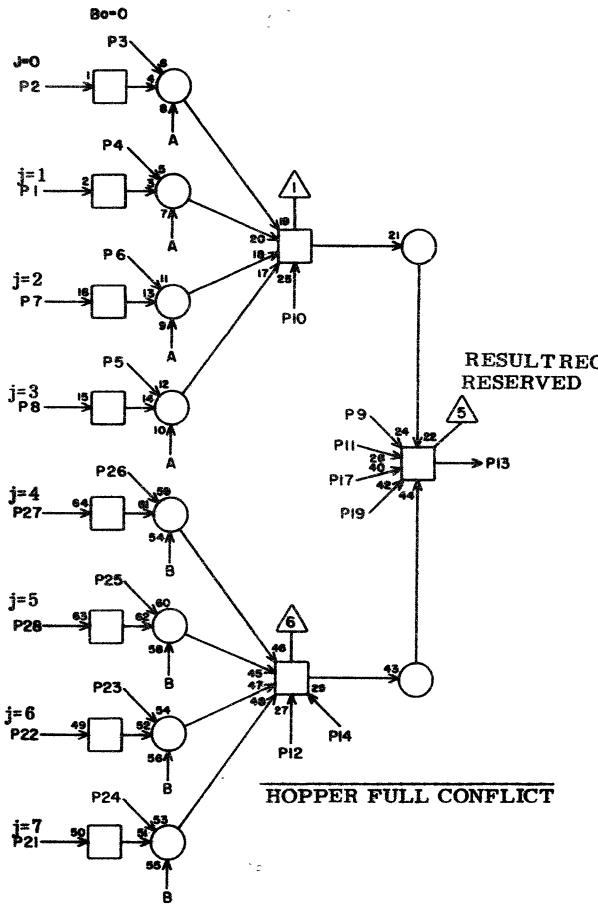
TC

LS 63045700
ASSY

D
REV

RESULT REGISTER RESERVATION TEST HL

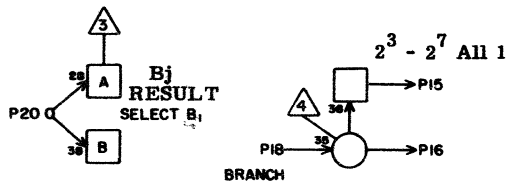
5E31



1	G22	1	15
2	G22	23	15
3	H09	16	27
4	H10	16	25
5	H12	16	25
6	H11	16	25
7	G22	21	15
8	G22	20	15
9	E26	1	7
10	E26	20	7
11	E26	28	7
12	E27	20	7
13	F34	18	7
14	Q06	12	49
15	F38	12	13
16	H29	21	17
17	E27	1	7
18	O14	9	43
19	E27	28	7
20	F25	14	11
21	G22	28	17
22	G22	2	13
23	N13	16	39
24	N14	16	39
25	N12	16	41
26	N11	16	41
27	G22	17	15
28	G22	4	15

CIRCUIT SPECIFICATION 11827600

60150800 Rev B

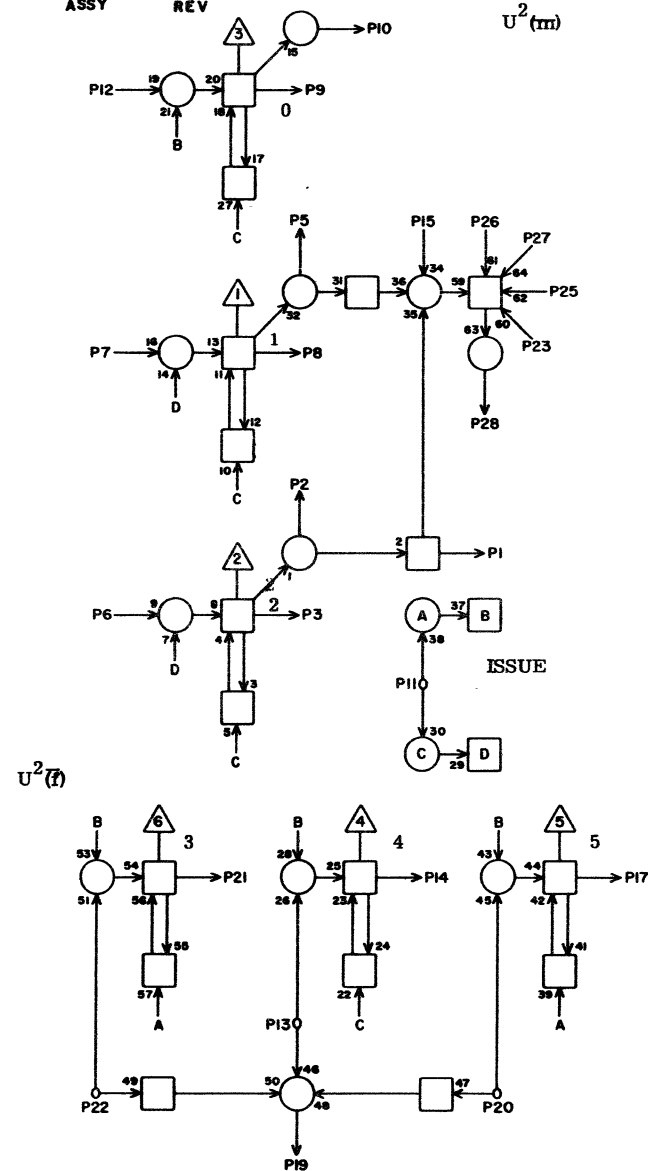


LS 63041500
ASSY

B
REV

CJ

5E32



1	E35	14	120
2	Q04	7	180
3	E33	6	60
4			
5	Q04	13	180
6	E19	23	15
7	E18	23	17
8	E33	8	60
9	E33	26	60
10	Q04	12	180
11	E28	5	7
12	D25	23	60
13	E21	23	15
14	E34	8	60
15	E34	15	5
16			
17	E34	6	60
18			
19			
20	E22	23	13
21	E34	26	60
22	E20	23	15
23	H36	21	17
24			
25	F30	24	7
26	G27	5	13
27	G26	10	13
28	F34	16	7

CIRCUIT SPECIFICATION 11827600

60150800 Rev A-W

LS 63049300
ASSY D
REV

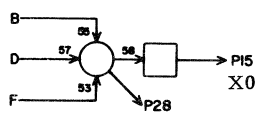
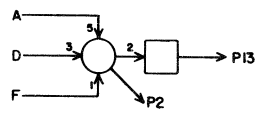
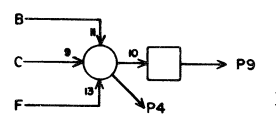
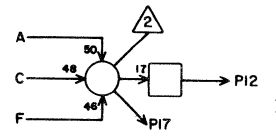
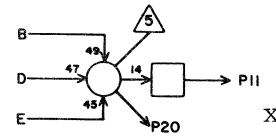
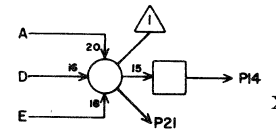
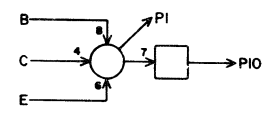
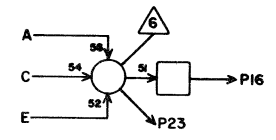
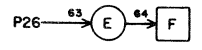
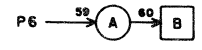
m TRANSLATIONS

2^{11}

2^{10}

2^9

From $U^2(m)$



IV

5E33

1	E36	22	5
2	E36	21	5
3			
4	E36	24	5
5			
6	E32	3	60
7			
8	E32	8	60
9	E35	23	5
10	E35	27	5
11	E35	22	5
12	E35	7	5
13	E35	21	5
14	E35	24	5
15	E35	20	5
16	E35	25	5
17	E36	2	5
18			
19			
20	E36	27	5
21	E36	3	5
22			
23	E36	12	5
24			
25			
26	E32	9	60
27			
28	E36	26	5

JACK PIN LG
CIRCUIT SPECIFICATION I1827600
60150800 Rev AE

LS 63049300
ASSY D
REV

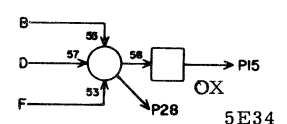
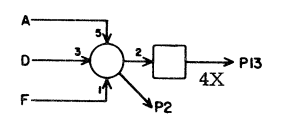
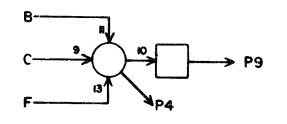
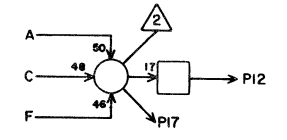
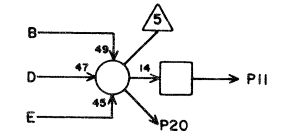
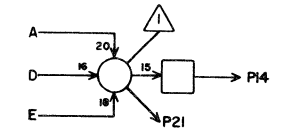
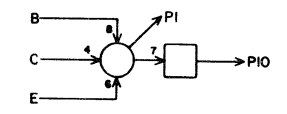
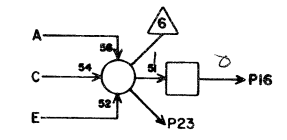
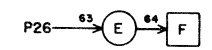
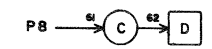
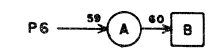
f TRANSLATIONS

2^{14}

2^{13}

2^{12}

From $U^2(f)$



IV

5E34

1			
2			
3			
4	E36	10	5
5			
6	E32	17	60
7			
8	E32	14	60
9			
10			
11			
12	E09	13	25
13	E36	11	5
14	E15	1	25
15	E32	15	5
16	E09	21	25
17	E35	8	3
18			
19			
20			
21	F33	19	7
22			
23	E35	10	3
24			
25			
26	E32	21	60
27			
28	E35	6	5

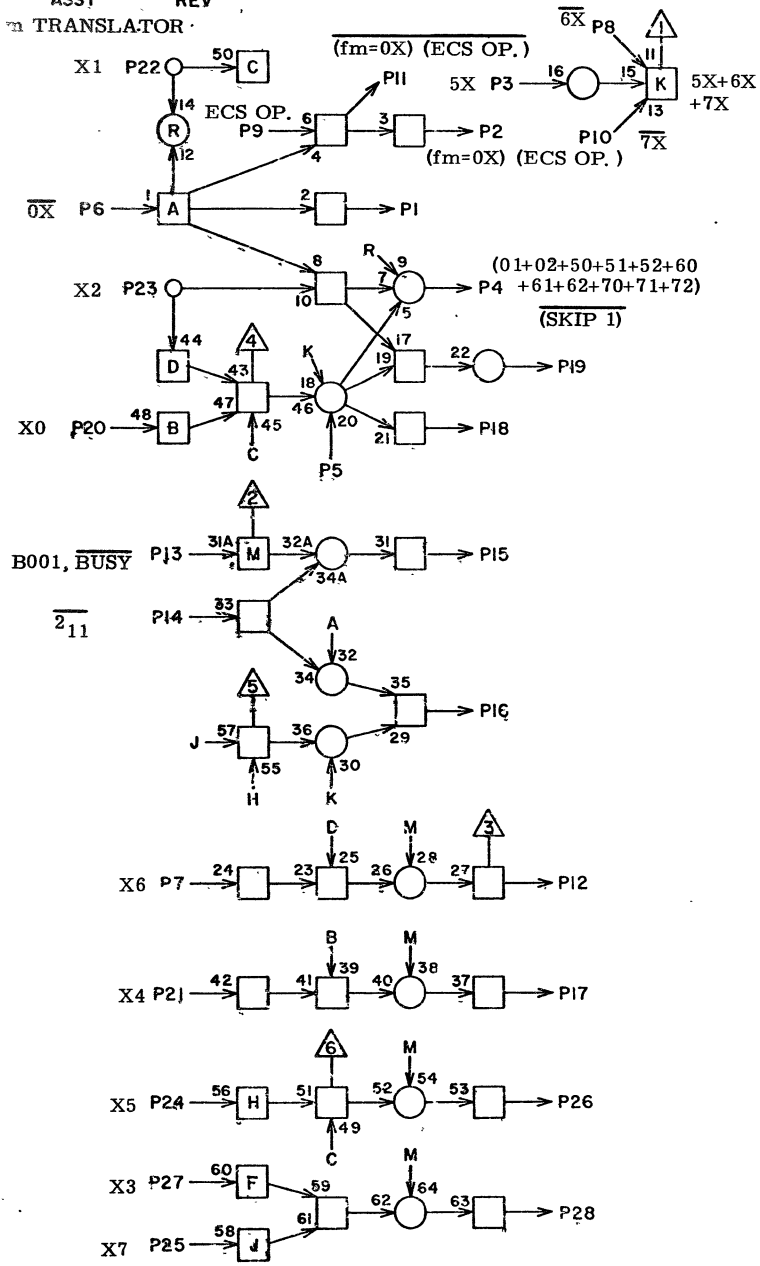
JACK PIN LG
CIRCUIT SPECIFICATION I1827600
60150800 Rev AE

LS 18415400 **A**
 ASSY REV

TRANSLATOR

AR

5E35



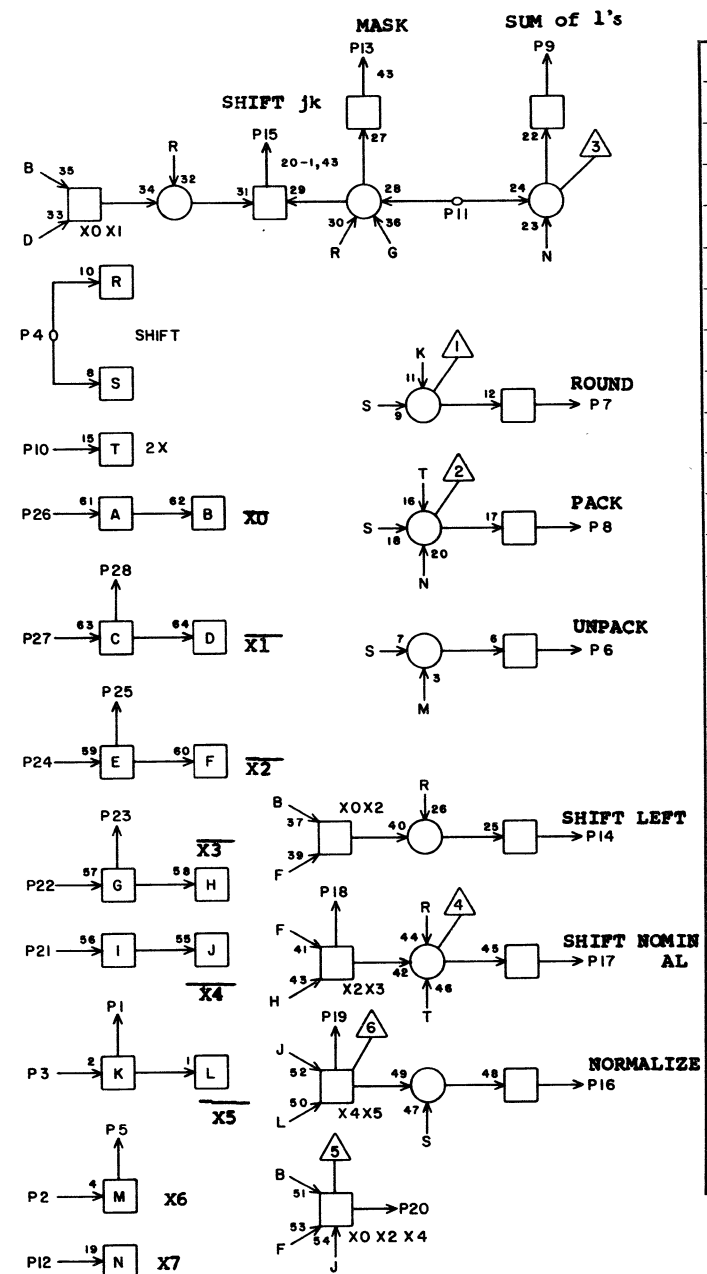
1	G15	23	23
2	F38	4	7
3	F33	11	9
4	E11	21	25
5	L05	17	39
6	E34	28	5
7	E33	12	5
8	E34	17	3
9	Q18	22	49
10	E34	23	3
11	G13	23	25
12	E38	9	5
13	F27	8	11
14	E32	1	120
15	E38	11	5
16	Q21	15	49
17	E38	13	5
18	G30	18	13
19	Q21	13	120
20	E33	15	5
21	E33	13	5
22	E33	11	5
23	E33	9	5
24	E33	14	5
25	E33	16	5
26	E38	5	5
27	E33	10	5
28	E38	7	5

JACK PIN LG
 SEE CIRCUIT SPECIFICATIO
 11827600

60150800 Rev AK

HS

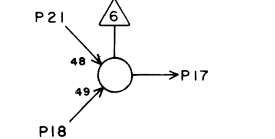
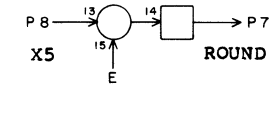
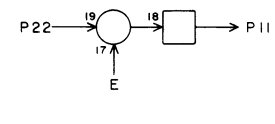
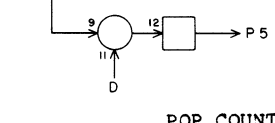
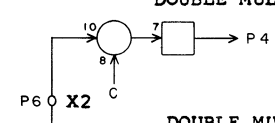
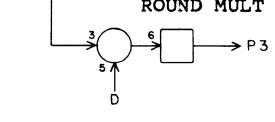
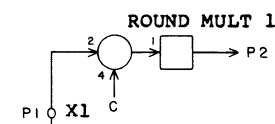
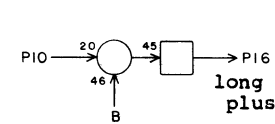
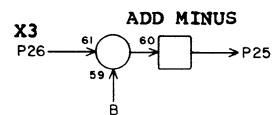
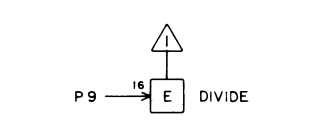
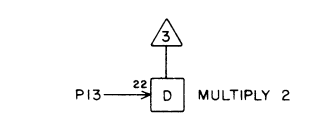
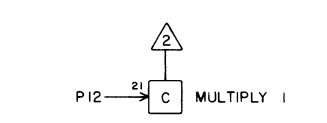
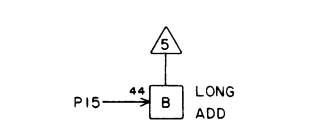
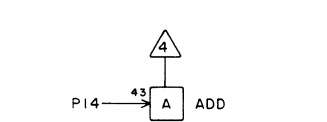
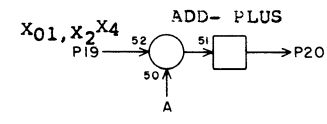
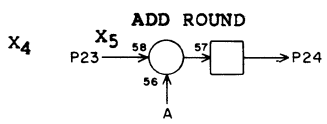
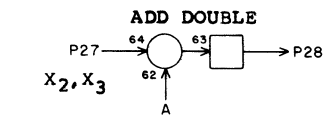
5E36



1	E37	8	3
2	E33	17	5
3	E33	21	5
4	F27	21	13
5	E37	10	3
6	E39	7	5
7	E39	11	5
8	E39	9	5
9	E37	22	3
10	E34	4	5
11	E34	13	5
12	E33	23	5
13	E39	5	5
14	E38	24	5
15	E38	26	5
16	E39	13	5
17	E38	22	5
18	E37	27	3
19	E37	23	3
20	E37	19	3
21	E33	2	5
22	E33	1	5
23	E37	26	3
24	E33	4	5
25	E37	6	5
26	E33	28	5
27	E33	20	5
28	E37	1	5

JACK PIN LG

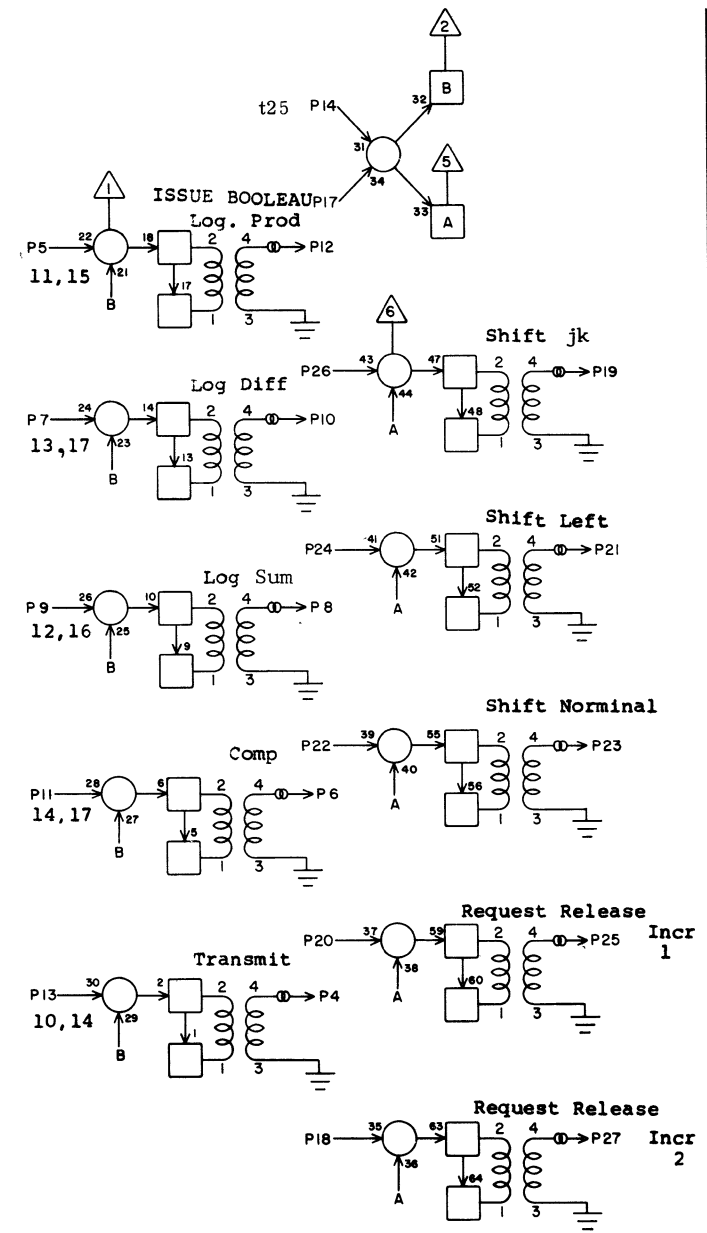
60150800 Rev. A



HT **5E37**

1	E36	28	5
2	E40	13	5
3	E40	11	5
4	E40	9	5
5	E40	7	5
6	E36	25	5
7	F40	5	5
8	E36	1	3
9	F30	21	13
10	E36	5	3
11	E40	26	5
12	F28	21	13
13	F28	8	13
14	F29	21	13
15	F29	8	9
16	E39	18	5
17	M11	22	41
18	P18	19	49
19	E36	20	3
20	E39	22	5
21	L07	17	39
22	E36	9	3
23	E36	19	3
24	E39	24	5
25	E39	20	5
26	E36	23	3
27	E36	18	3
28	E39	26	5

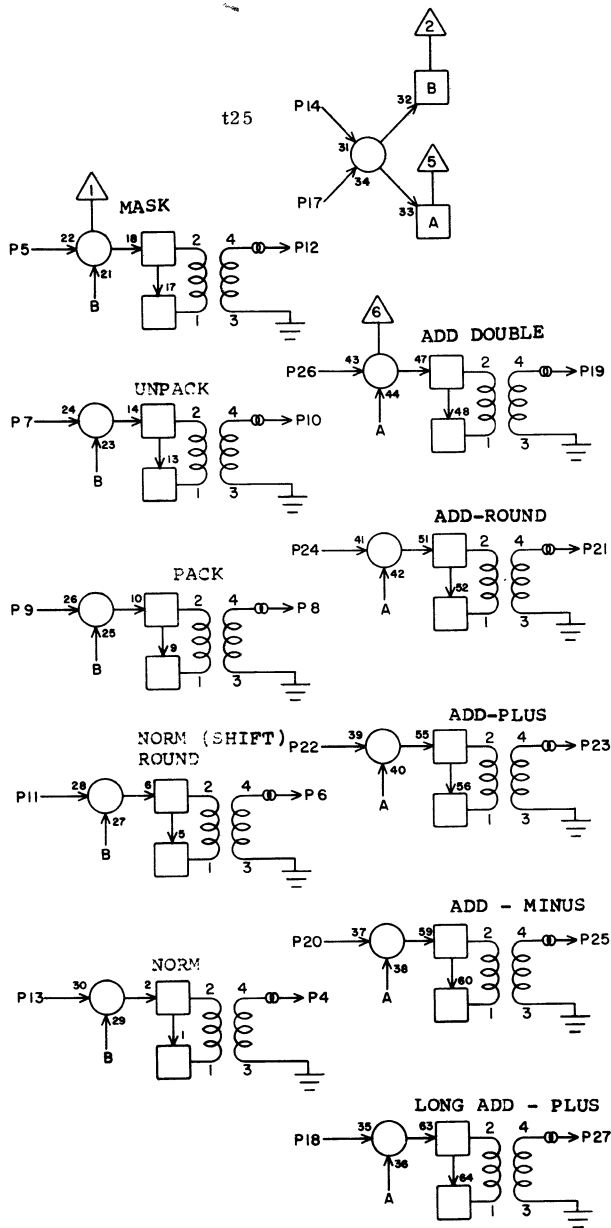
JACK PIN LG



JQ **5E38**

1			
2			
3			
4	W13	98	
5	E35	26	5
6	W13	97	
7	E35	28	5
8	W13	93	
9	E35	12	5
10	W13	94	
11	E35	15	5
12	W13	95	
13	E35	17	5
14	I24	23	23
15			
16			
17			
18	P18	21	47
19	W12	97	
20	P18	18	47
21	W12	99	
22	E36	17	5
23	W12	98	
24	E36	14	5
25	I21	19	25
26	E36	15	5
27	J21	19	27
28			

JACK PIN LG

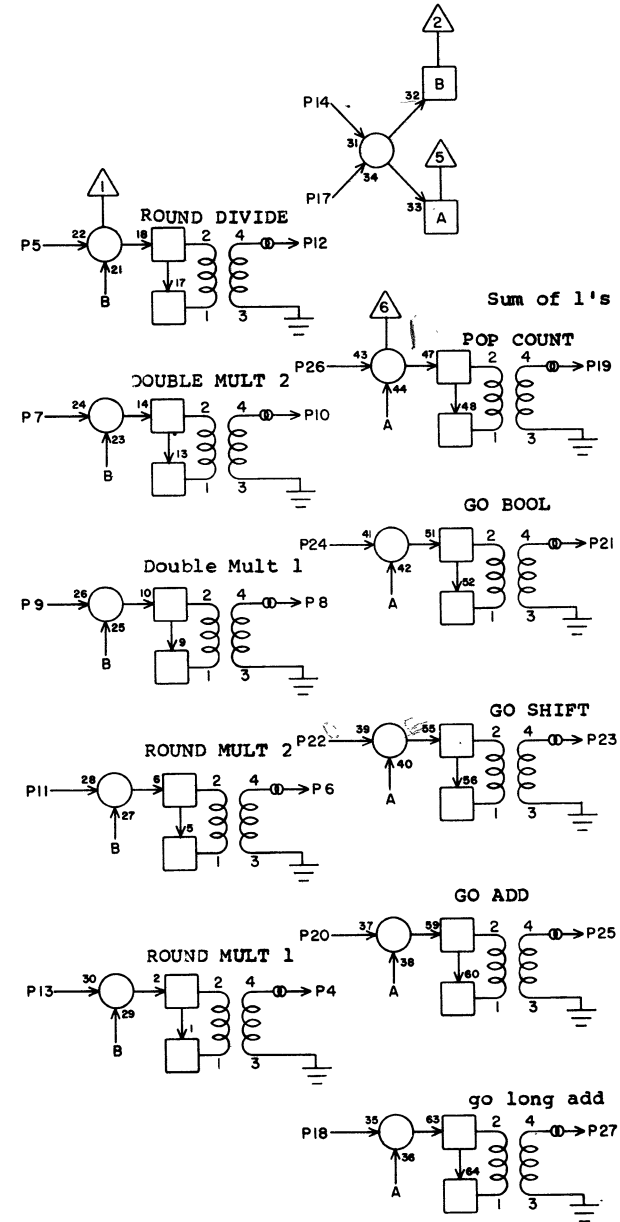


JQ **5E39**

1			
2			
3			
4	W12	908	
5	E36	13	5
6	W12	900	
7	E36	6	5
8	W12	95	
9	E36	8	5
10	W12	96	
11	E36	7	5
12	W12	92	
13	E36	16	5
14	I24	19	25
15			
16			
17			
18	E37	16	5
19	W12	94	
20	E37	25	5
21	W12	93	
22	E37	20	5
23	W11	92	
24	E37	24	5
25			
26	E37	28	5
27	W12	905	
28			

JACK PIN LG

60150800 Rev.AW



JQ **5E40**

1			
2			
3			
4	W14	91	
5	E37	7	5
6	W14	901	
7	E37	5	5
8	W14	92	
9	E37	4	5
10	W14	902	
11	E37	3	5
12	W13	91	
13	E37	2	5
14	I24	17	25
15			
16			
17			
18	H22	27	23
19	W13	96	
20	H22	2	23
21	W13	902	
22	H22	16	23
23	W12	907	
24	H23	10	23
25	W12	91	
26	E37	11	5
27	W12	90	
28			

JACK PIN LG

60150800 Rev. A

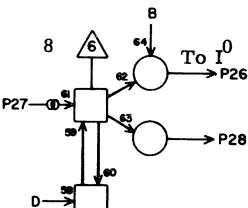
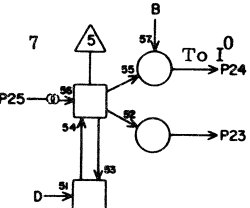
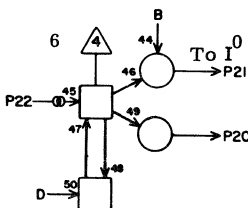
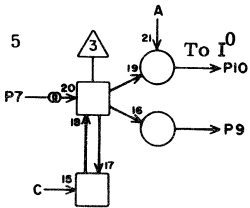
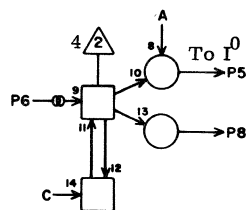
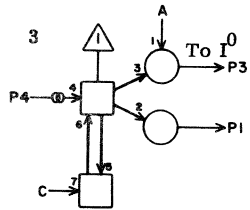
LS 63049100
ASSY

3
REV

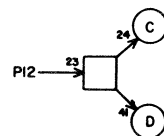
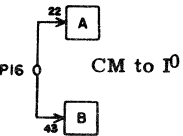
BUFFER INPUT REGISTER

IT

5E41



IN₃ - IN₈



1			
2			
3	A29	25	21
4	W02	907	
5	A30	25	21
6	W02	900	
7	W02	90	
8			
9			
10	A31	25	21
11			
12	E29	8	17
13			
14			
15			
16	A34	3	21
17			
18			
19			
20			
21	A32	25	21
22	W02	91	
23			
24	A33	25	19
25	W02	92	
26	A34	25	19
27	W02	93	
28			

JACK PIN LG
CIRCUIT SPECIFICATION 11827600
60150800 Rev B

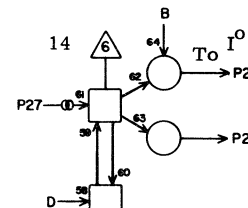
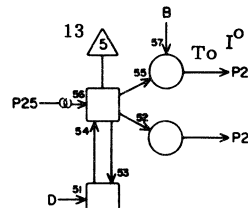
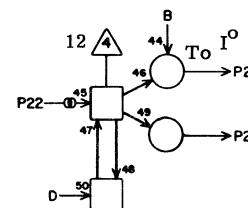
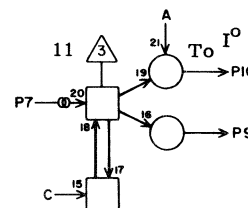
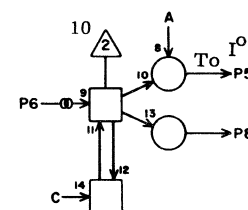
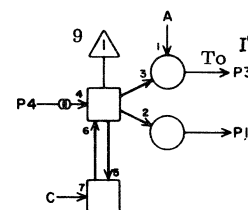
LS 63049100
ASSY

3
REV

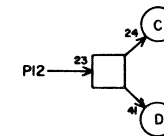
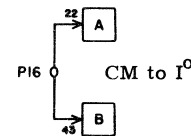
BUFFER INPUT REGISTER

IT

5E42

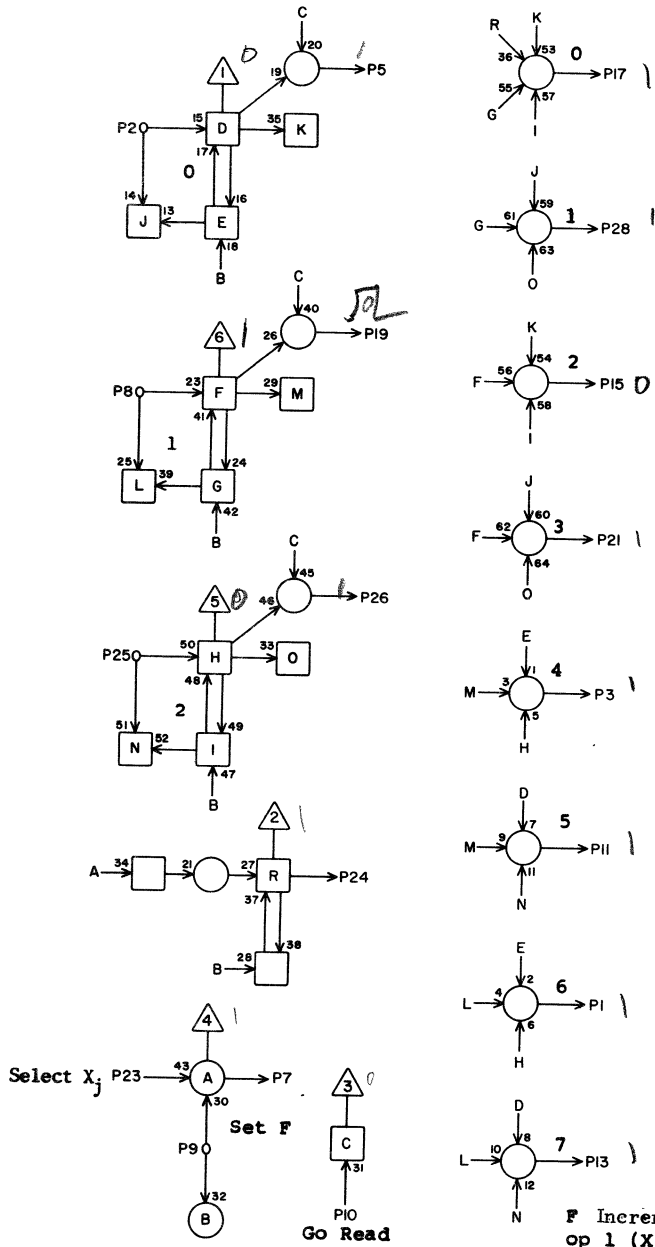


IN₉ - IN₁₄



1			
2			
3	A35	25	19
4	W02	94	
5	A36	25	19
6	W02	95	
7	W02	96	
8			
9			
10	A37	25	19
11			
12	E29	10	17
13			
14			
15			
16	A35	3	21
17			
18			
19			
20			
21	A38	25	19
22	W02	97	
23			
24	A39	25	19
25	W02	98	
26	A40	25	19
27	W02	99	
28			

JACK PIN LG
CIRCUIT SPECIFICATION 11827600
60150800 Rev B



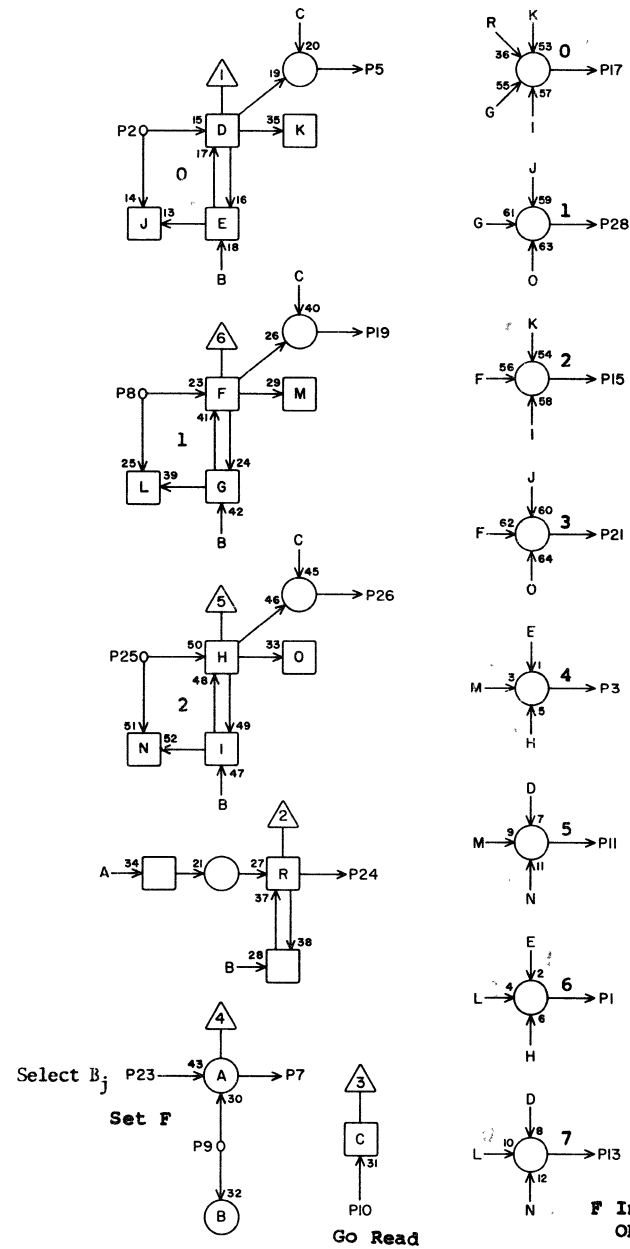
CK

SF01

1	L01	26	27
2	E02	2	5
3	L01	22	27
4			
5	K40	9	45
6			
7	E02	8	5
8	E02	10	5
9	G38	2	37
10	MO8	8	31
11	L01	24	27
12			
13	L01	28	27
14			
15	L01	6	25
16			
17	L01	2	25
18			
19	K40	14	47
20			
21	L01	8	25
22			
23	E09	10	13
24	MO8	22	31
25	E02	17	7
26	K40	19	45
27			
28	L01	4	25

JACK PIN LG

60150800 Rev. L



CK

SF02

1	L02	26	27
2	E02	14	5
3	L02	22	27
4			
5	L41	9	45
6			
7	E02	5	5
8	E02	11	5
9	G38	4	35
10	MO8	7	29
11	L02	24	27
12			
13	L02	28	27
14			
15	L02	6	25
16			
17	L02	2	25
18			
19	L41	14	45
20			
21	L02	8	25
22			
23	E09	11	13
24	MO8	21	31
25	E02	15	7
26	L41	19	45
27			
28	L02	4	25

JACK PIN LG

60150800 Rev. L

5F02

CK **5F03**

1	L03	26	27
2	E02	16	5
3	L03	22	27
4			
5	M42	9	47
6			
7	E02	26	5
8	E02	13	5
9	G38	6	35
10	M08	6	29
11	L03	24	27
12			
13	L03	28	27
14			
15	L03	6	25
16			
17	L03	2	25
18			
19	M42	14	51
20			
21	L03	8	25
22			
23	E09	6	11
24	M08	5	29
25	E02	20	7
26	M42	19	47
27			
28	L03	4	25

JACK PIN LG

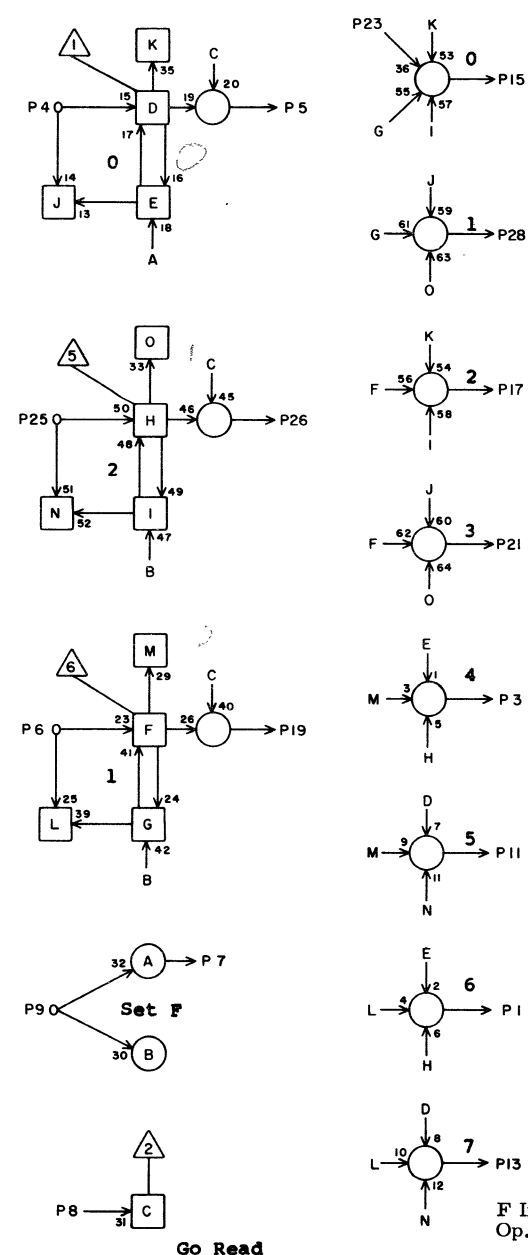
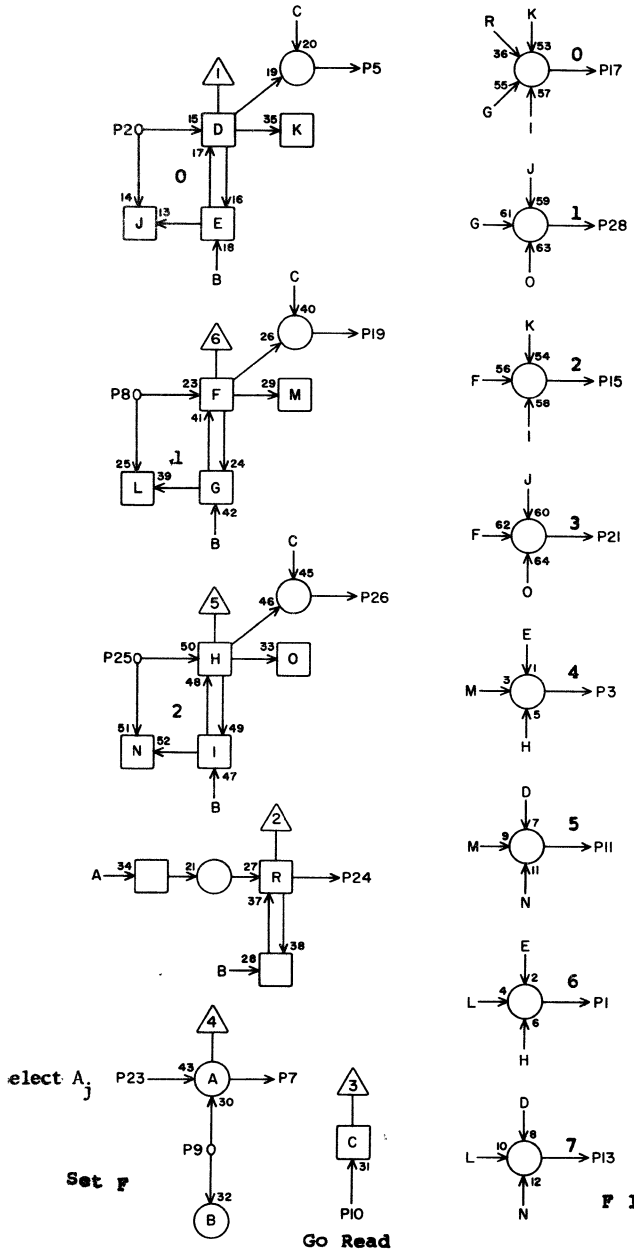
60150800 Rev. L

IC **5F04**

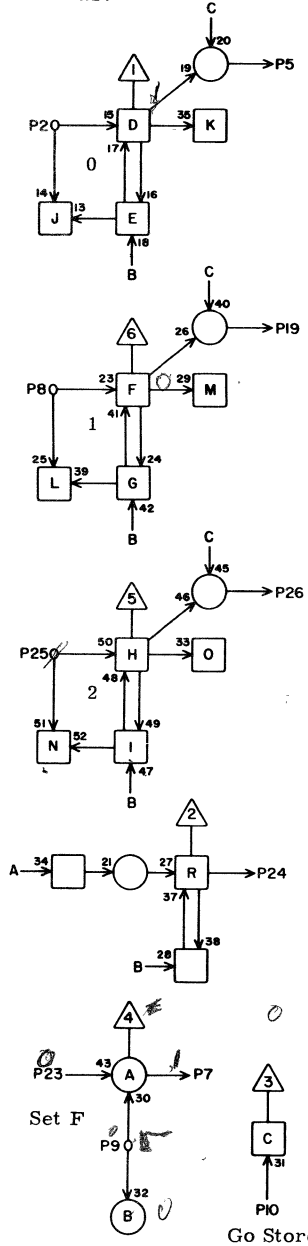
1	L04	26	27
2			
3	L04	22	27
4	E01	2	7
5	L42	9	49
6	E01	10	7
7	E01	8	7
8	M08	19	31
9	G38	8	33
10			
11	L04	24	27
12			
13	L04	28	27
14			
15	L04	2	25
16			
17	L04	6	25
18			
19	L42	14	49
20			
21	L04	8	25
22			
23			
24			
25	E01	17	7
26	L42	19	49
27			
28	L04	4	25

JACK PIN LG

60150800 Rev. B

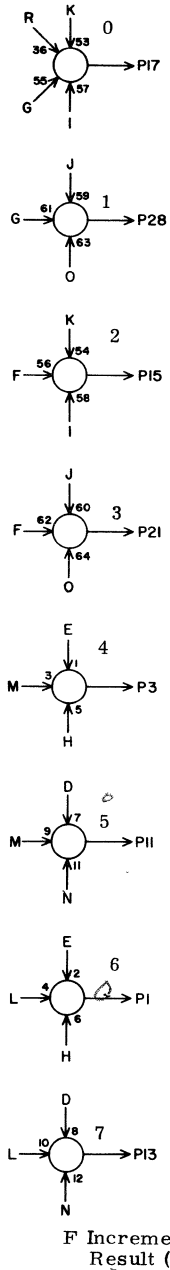


LS 63041600 **C**
 ASSY REV



Go Store

CK **5F05**



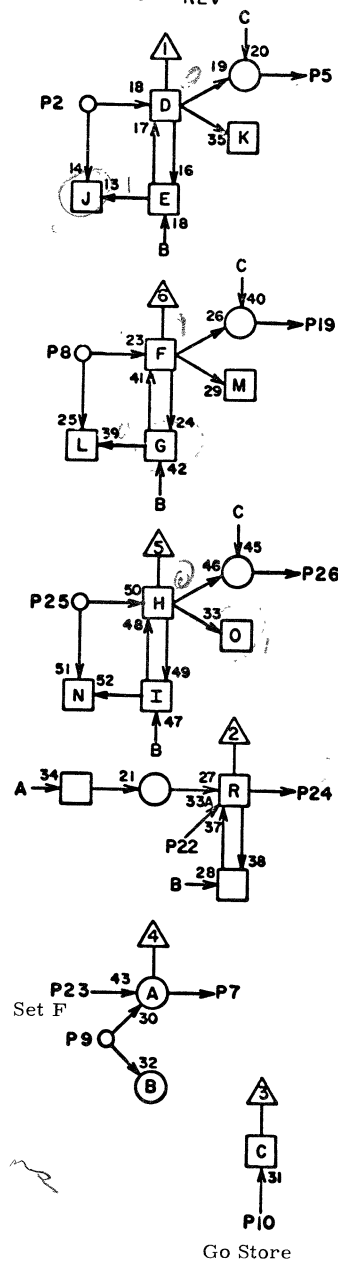
F Increment 1 Result (X)

JACK	PIN	LG
1	I27	12 27
2	E03	2 7
3	I26	2 25
4		
5	H40	9 35
6		
7	E03	8 7
8	E03	10 7
9	G38	9 33
10	J38	22 37
11	I27	14 25
12		
13	I27	8 27
14		
15	I26	8 25
16		
17	I26	14 25
18		
19	H40	14 35
20		
21	I26	5 25
22		
23	E09	20 11
24	E13	8 13
25	E03	17 7
26	H40	25 35
27		
28	I26	12 25

CIRCUIT SPECIFICATION 11827600

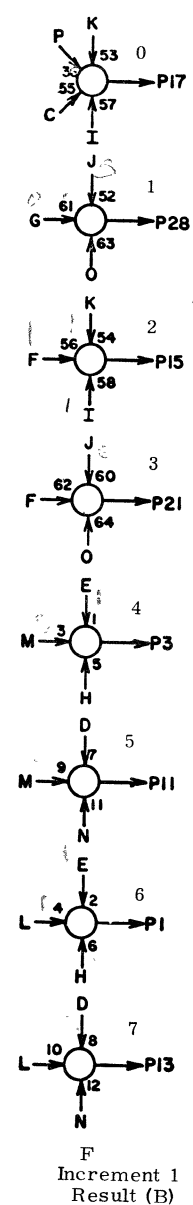
60150800 Rev L

LS 18057300 **A**
 ASSY REV



Go Store

AK **5F06**



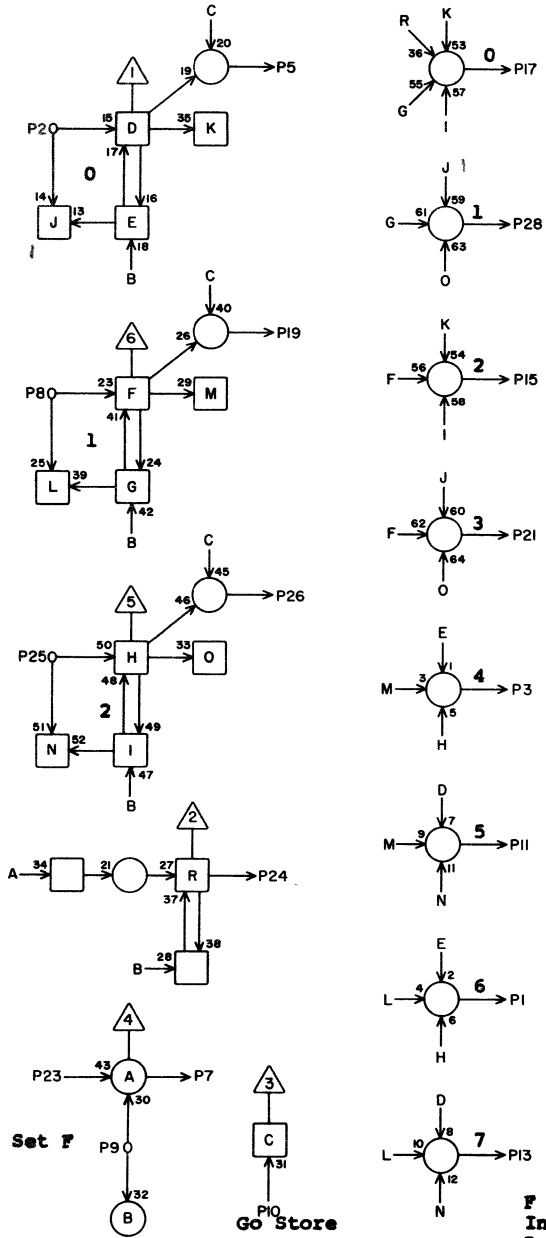
F Increment 1 Result (B)

JACK	PIN	LG
1	I28	2 27
2	E03	14 7
3	I28	8 25
4		
5	H41	9 35
6		
7	E03	5 7
8	E03	11 7
9	G38	10 31
10	J38	24 35
11	I28	5 27
12		
13	I29	14 27
14		
15	I28	14 25
16		
17	I27	5 25
18		
19	H41	14 35
20		
21	I28	12 27
22	Q18	1 49
23	E09	16 9
24	E13	10 13
25	E03	15 7
26	H41	25 35
27		
28	I27	2 25

SEE CIRCUIT SPECIFICATION 11827600
 60150800 Rev. AW

CK

5F07



F Increment 1
Result (A)

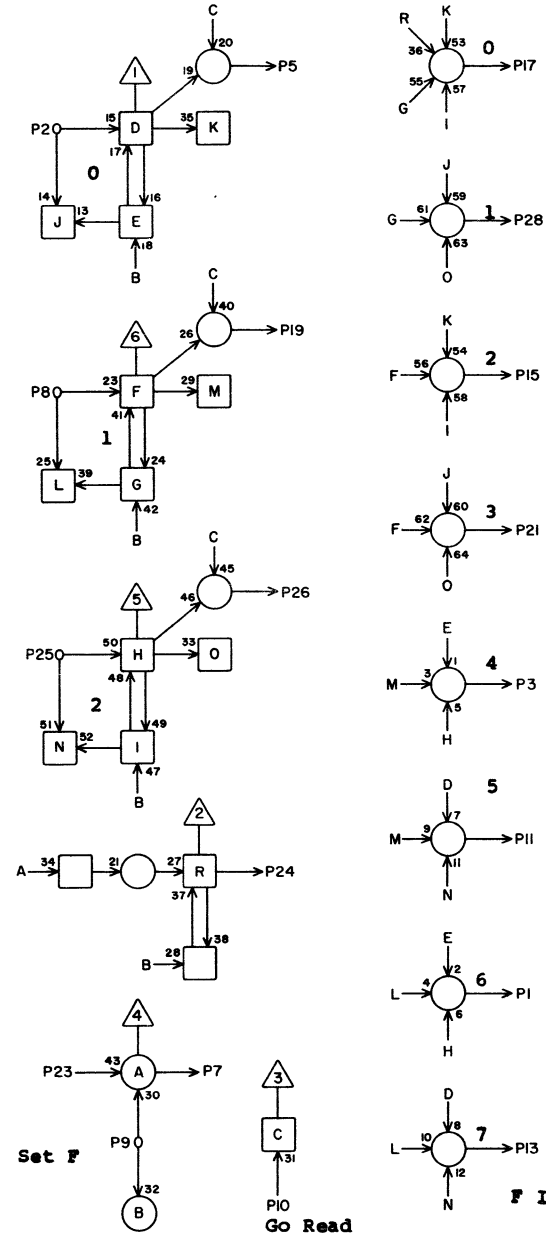
1	M31	3	37
2	E03	16	7
3	M31	1	37
4			
5	H42	9	35
6			
7	E03	26	7
8	E03	13	7
9	G38	11	31
10	J38	8	35
11	M31	2	37
12			
13	M31	5	37
14			
15	I29	5	27
16			
17	I29	12	23
18			
19	H42	14	35
20			
21	I29	2	25
22			
23	E09	12	13
24	E13	14	13
25	E03	20	9
26	H42	25	35
27			
28	I29	8	25

JACK PIN LG

60150800 Rev. L

CK

5F08

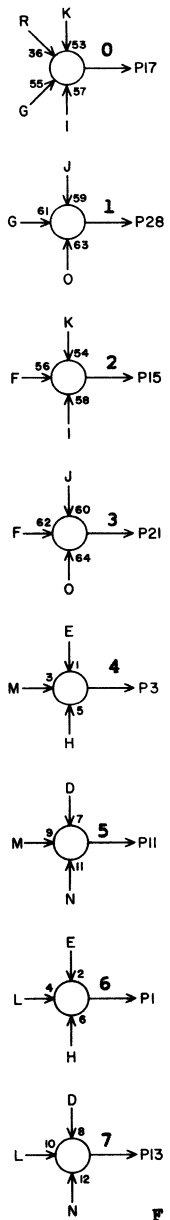
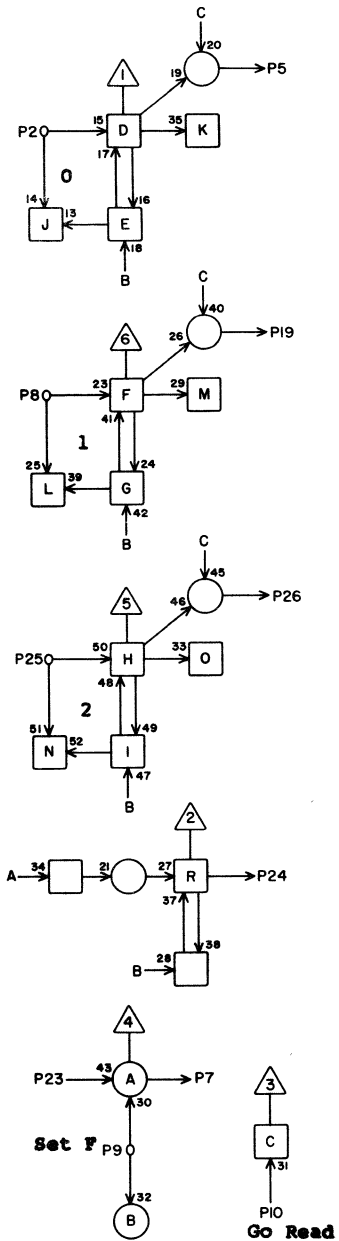


F Increment 2
op. 1 (X)

1	L05	26	27
2	E02	4	11
3	L05	22	27
4			
5	K40	11	37
6			
7	E02	25	11
8	E02	23	11
9	G38	16	31
10	M08	11	31
11	L05	24	27
12			
13	L05	28	27
14			
15	L05	6	25
16			
17	L05	2	25
18			
19	K40	16	37
20			
21	L05	8	25
22			
23	E09	8	9
24	M08	25	31
25	E02	21	11
26	K40	21	37
27			
28	L05	4	25

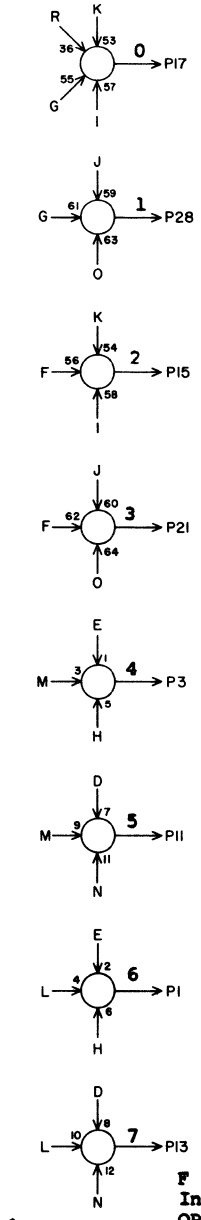
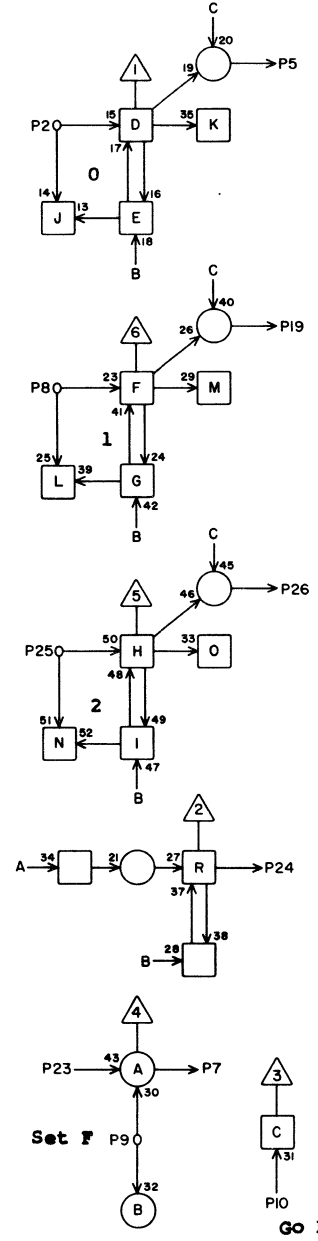
JACK PIN LG

60150800 Rev. A



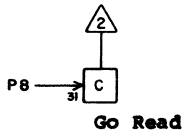
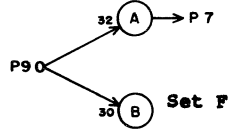
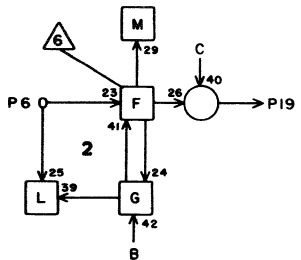
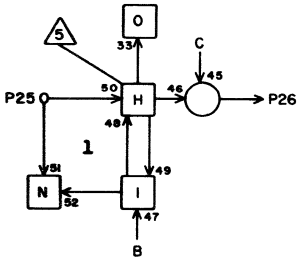
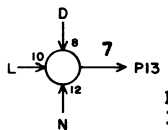
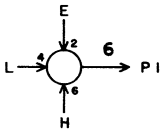
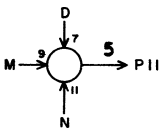
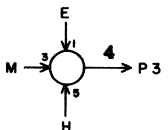
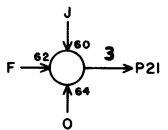
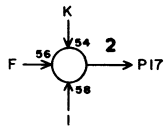
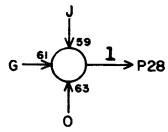
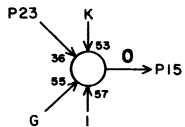
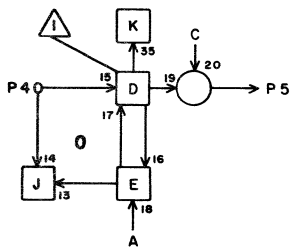
CK	5 F09		
1	L06	26	27
2	E02	12	11
3	L06	22	27
4			
5	L41	11	41
6			
7	E02	27	11
8	E02	18	11
9	G38	18	27
10	M08	12	31
11	L06	24	27
12			
13	L06	28	27
14			
15	L06	6	25
16			
17	L06	2	25
18			
19	L41	16	45
20			
21	L06	8	25
22			
23	E09	9	9
24	M08	24	31
25	E02	19	13
26	L41	21	45
27			
28	L06	4	25
	JACK	PIN	LG

F Increment 2
OP. (B) 60150800 Rev. A



CK	5F10		
1	L07	26	27
2	E05	2	9
3	L07	22	27
4			
5	M42	11	43
6			
7	E05	8	9
8	E05	10	9
9	G38	19	29
10	M08	13	31
11	L07	24	27
12			
13	L07	28	27
14			
15	L07	6	25
16			
17	L07	2	25
18			
19	M42	16	43
20			
21	L07	8	25
22			
23	E09	4	9
24	M08	18	31
25	E05	17	11
26	M42	21	43
27			
28	L07	4	25
	JACK	PIN	LG

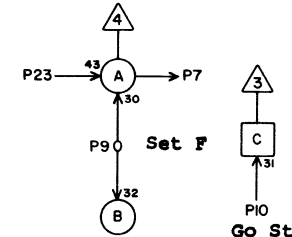
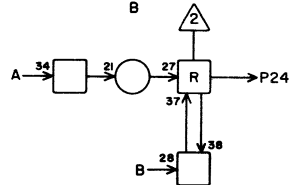
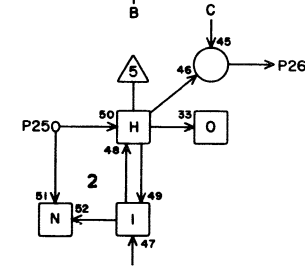
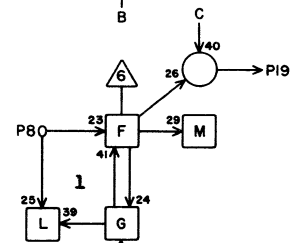
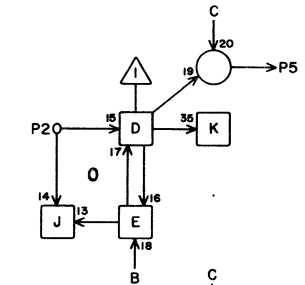
F Increment 2
OP. 1 (A) 60150800 Rev. A



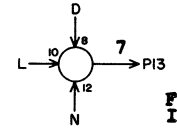
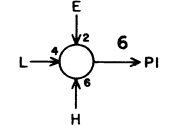
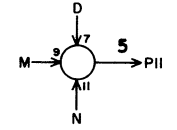
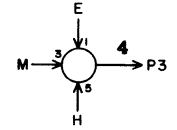
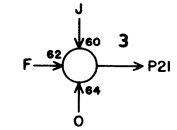
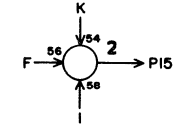
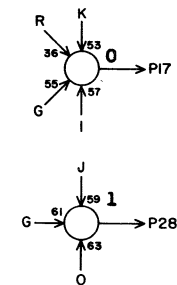
F
Increment 2
Op 2 (B)

IC			
5F11			
	JACK	PIN	LG
1	L08	26	27
2			
3	L08	22	27
4	E01	14	15
5	L42	11	41
6	E01	11	15
7	E01	5	15
8	M08	16	31
9	G38	20	29
10			
11	L08	24	27
12			
13	L08	28	27
14			
15	L08	2	25
16			
17	L08	6	25
18			
19	L42	16	41
20			
21	L08	8	25
22			
23			
24			
25	E01	15	15
26	L42	21	41
27			
28	L08	4	25

60150800 Rev. A



Go Store

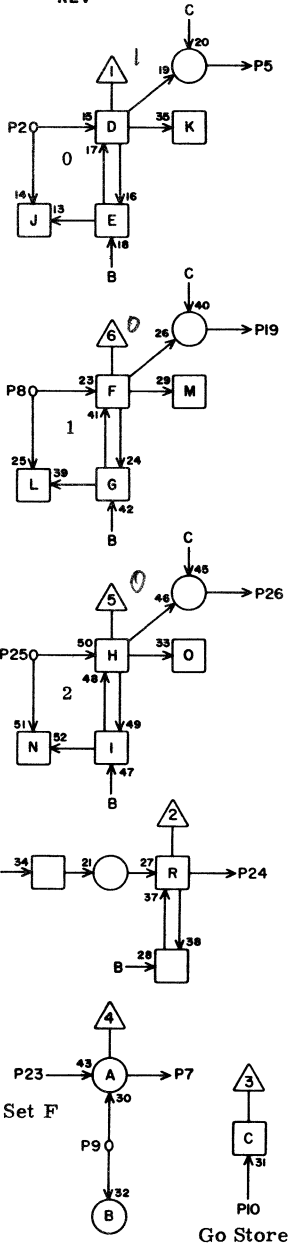


F
Increment 2
Result (x)

CK			
5F12			
	JACK	PIN	LG
1	I31	12	25
2	E03	4	13
3	I30	2	23
4			
5	H40	11	29
6			
7	E03	25	13
8	E03	23	13
9	G38	21	27
10	J38	21	31
11	I31	14	23
12			
13	I31	8	23
14			
15	I30	8	23
16			
17	I30	14	23
18			
19	H40	16	29
20			
21	I30	5	23
22			
23	E09	22	11
24	E12	25	7
25	E03	21	11
26	H40	23	29
27			
28	I30	12	23

60150800 Rev. L

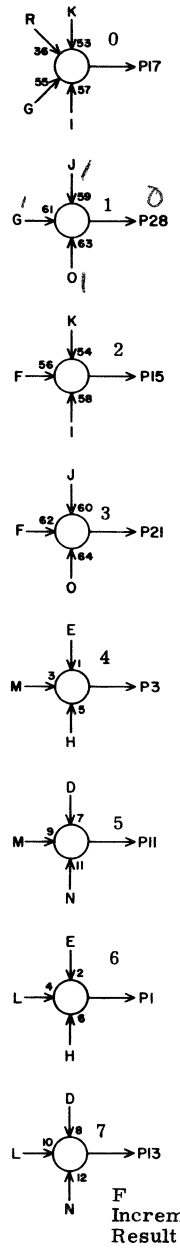
LS 63041600 [C]
 ASSY REV



$U^2=6X$

Go Store

CK [5F13]

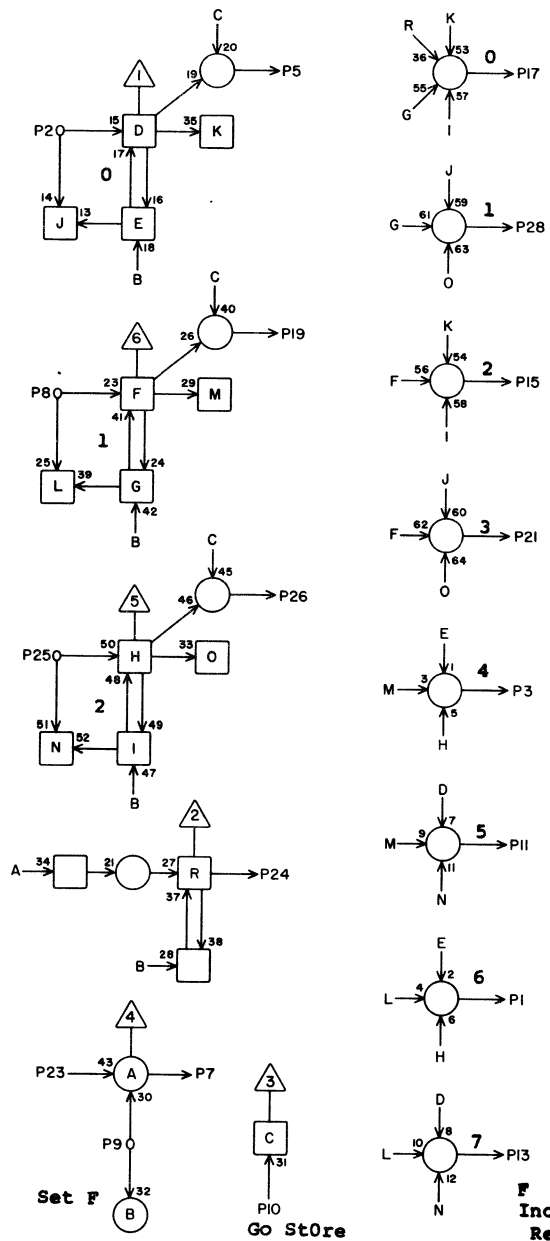


F Increment 2
 Result (B)

1	I32	2	23
2	E03	12	13
3	I32	8	25
4			
5	H41	11	29
6			
7	E03	27	13
8	E03	18	13
9	G38	22	27
10	J38	23	31
11	I32	5	25
12			
13	I33	14	25
14			
15	I32	14	23
16			
17	I31	5	23
18			
19	H41	16	29
20			
21	I32	12	23
22			
23	E09	14	11
24	E12	24	7
25	E03	19	15
26	H41	23	29
27			
28	I31	2	23

JACK PIN LG
 CIRCUIT SPECIFICATION I1827600
 60150800 Rev L

CK [5F14]



Set F
 Go Store

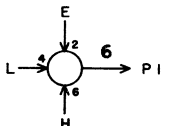
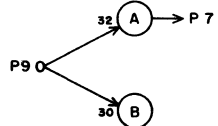
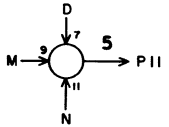
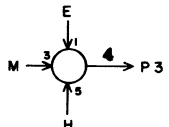
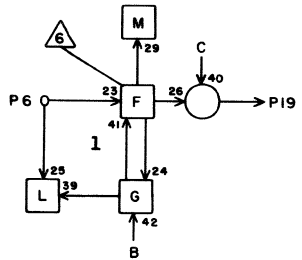
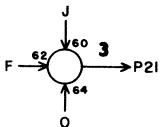
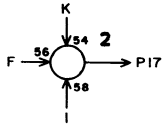
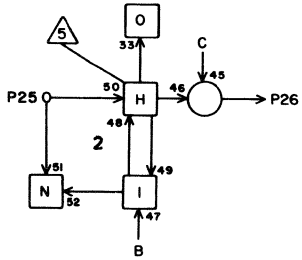
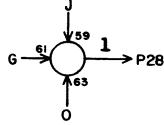
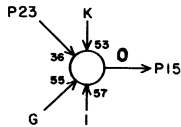
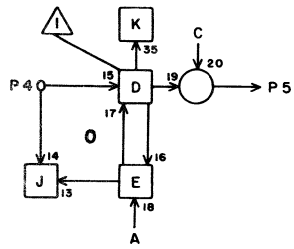
F Increment 2
 Result (A)

1	M31	28	35
2	E06	2	13
3	M31	23	35
4			
5	H42	11	29
6			
7	E06	8	13
8	E06	10	13
9	G38	17	25
10	J38	7	29
11	M31	25	35
12			
13	M31	27	35
14			
15	I33	5	23
16			
17	I33	12	23
18			
19	H42	16	29
20			
21	I33	2	23
22			
23	E15	14	11
24	E12	22	7
25	E06	17	13
26	H42	23	29
27			
28	I33	8	23

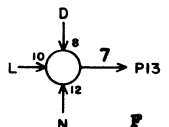
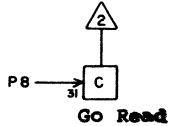
JACK PIN LG

60150800 Rev. L

5F14



Set F



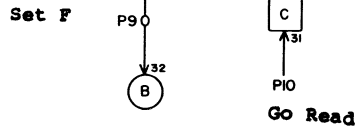
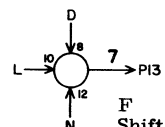
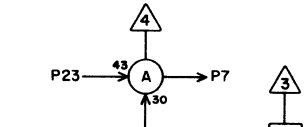
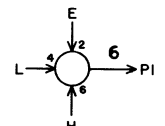
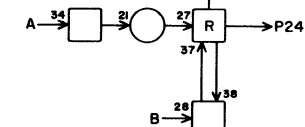
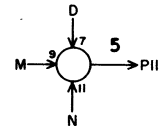
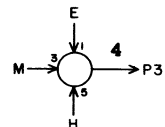
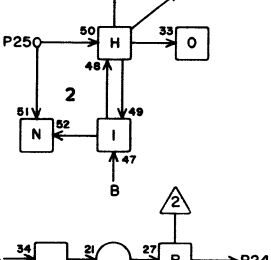
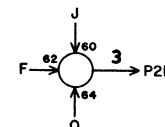
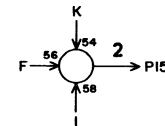
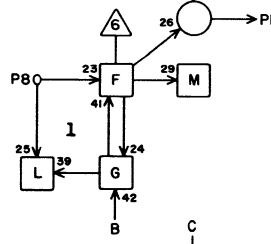
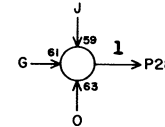
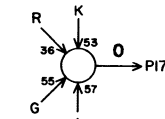
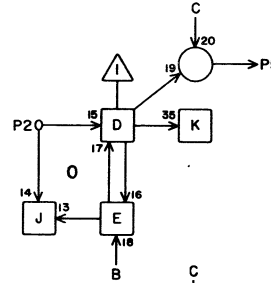
F Shift
Operand 1 (B)

IC 5F15

1	L09	26	27
2			
3	L09	22	27
4	E05	14	13
5	M41	11	37
6	E05	11	13
7	E05	5	13
8	H22	15	15
9	F27	23	15
10			
11	L09	24	27
12			
13	L09	28	27
14			
15	L09	2	27
16			
17	L09	6	27
18			
19	M41	20	37
20			
21	L09	8	25
22			
23			
24			
25	E05	15	13
26	M41	21	39
27			
28	L09	4	25

JACK PIN LG

60150800 Rev. A



F Shift
Op. 2 (X)

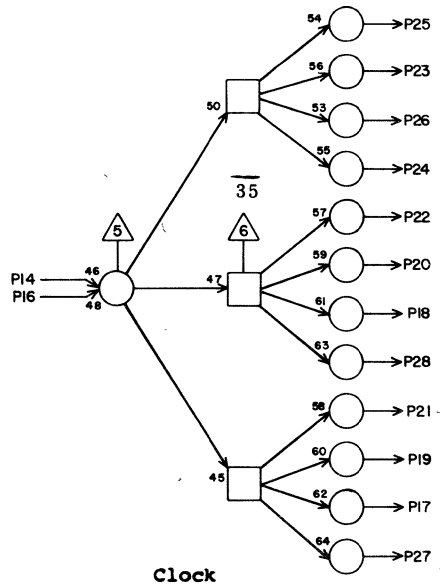
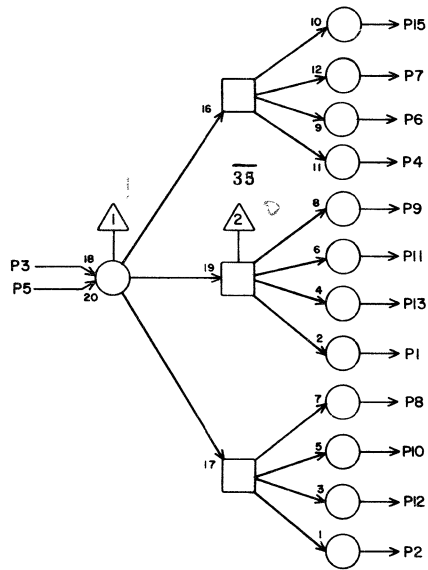
CK 5F16

1	L10	26	29
2	E01	16	17
3	L10	22	29
4			
5	K42	11	33
6			
7	E01	26	17
8	E01	13	17
9	F27	25	15
10	H22	17	13
11	L10	24	27
12			
13	L10	28	27
14			
15	L10	6	27
16			
17	L10	2	27
18			
19	K42	20	43
20			
21	L10	8	27
22			
23	F31	1	17
24	H22	11	13
25	E01	20	17
26	K42	21	33
27			
28	L10	4	27

JACK PIN LG

60150800 Rev. B

CLOCK



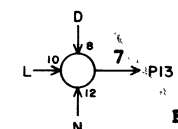
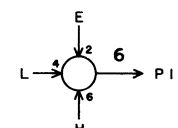
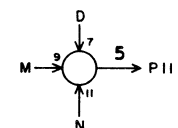
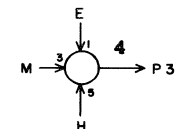
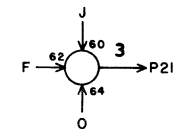
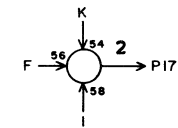
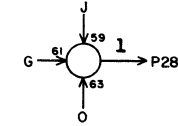
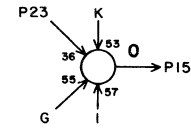
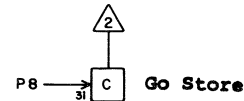
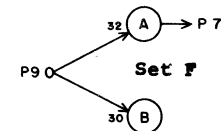
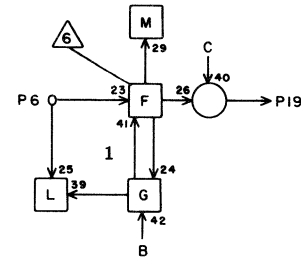
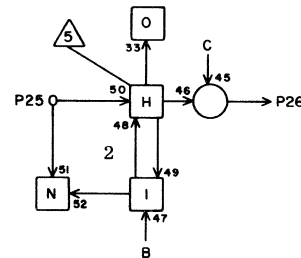
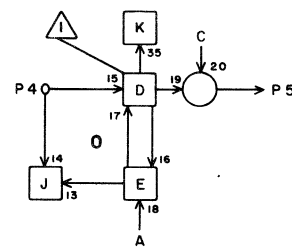
TC

5F17

1	D23	8	13
2	E19	8	7
3	D15	5	11
4	D19	8	11
5			
6	D18	8	11
7	D17	8	11
8	D24	8	13
9	D20	8	13
10	D25	8	15
11	D21	8	13
12	E18	8	7
13	D22	8	13
14	N08	22	35
15	D16	8	13
16			
17	Q41	12	43
18	G30	27	17
19	O37	25	41
20	H04	15	17
21	O40	23	180
22	H21	10	13
23			
24	G27	15	49
25			
26			
27	H28	14	15
28	H28	19	17

JACK PIN LG

60150800 Rev. AS



F Shift Result (x)

5F18

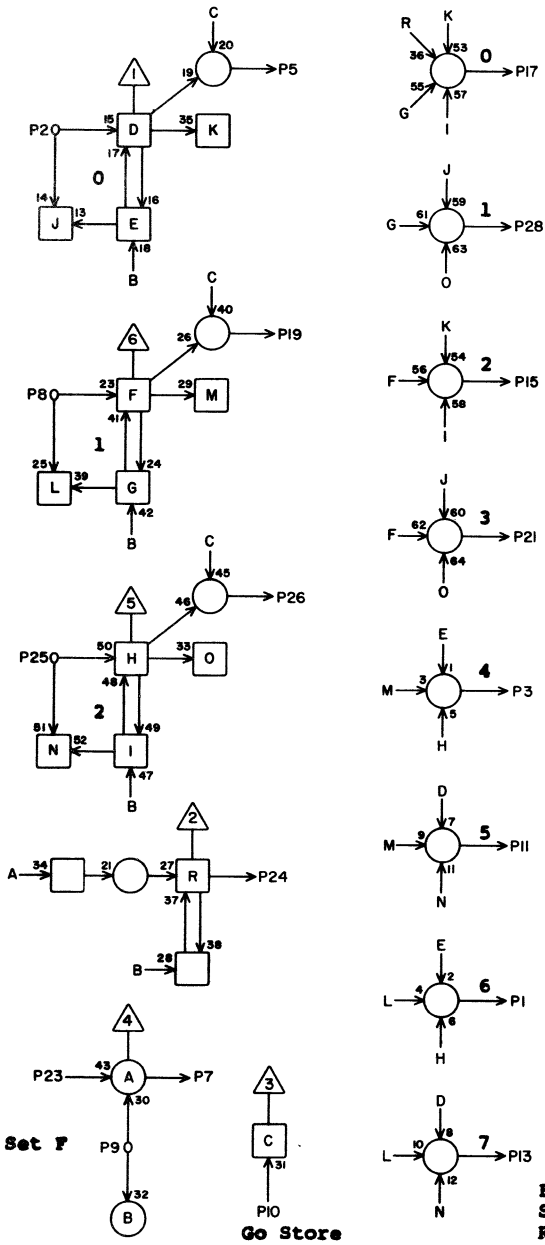
IC

5F18

1	L28	9	29
2			
3	L28	13	29
4	E06	16	15
5	H39	11	25
6	E06	13	15
7	E06	26	15
8	J36	25	27
9	F27	26	13
10			
11	L28	11	27
12			
13	L28	7	27
14			
15	L28	18	27
16			
17	L28	22	27
18			
19	H39	16	23
20			
21	L28	24	27
22			
23			
24			
25	E06	20	17
26	H39	21	25
27			
28	L28	20	27

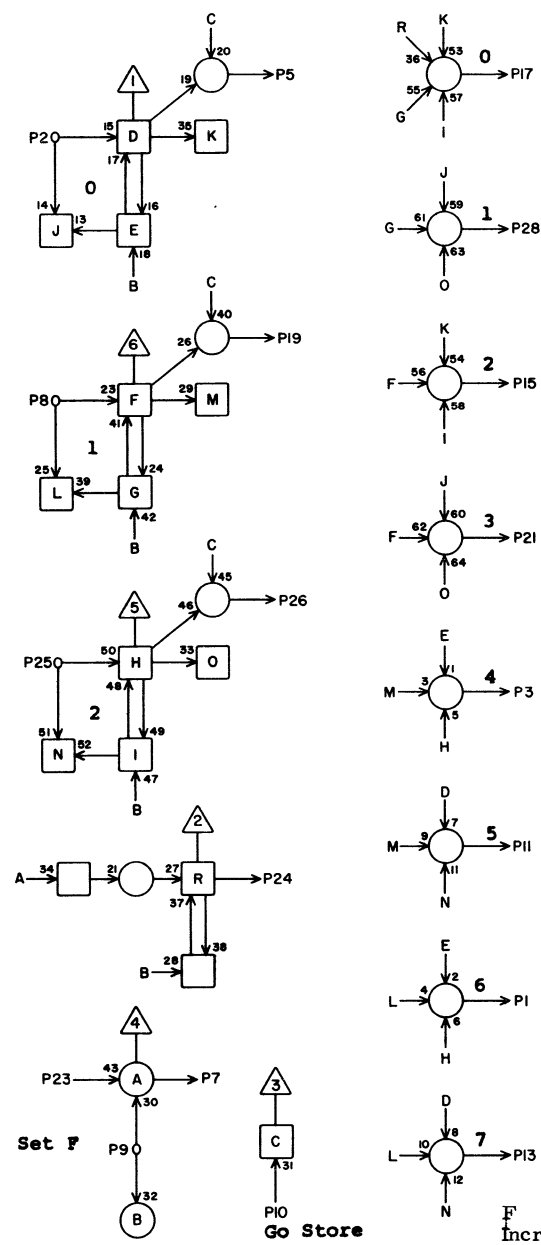
JACK PIN LG

60150800 Rev. B



1	L29	9	29
2	E07	4	15
3	L29	13	27
4			
5	I41	9	29
6			
7	E07	25	13
8	E07	23	15
9	F27	28	11
10	J36	27	27
11	L29	11	27
12			
13	L29	7	29
14			
15	L29	22	29
16			
17	L29	18	29
18			
19	I41	14	27
20			
21	L29	24	29
22			
23	F32	21	15
24			
25	E07	21	15
26	I41	19	29
27			
28	L29	20	29

JACK PIN LG



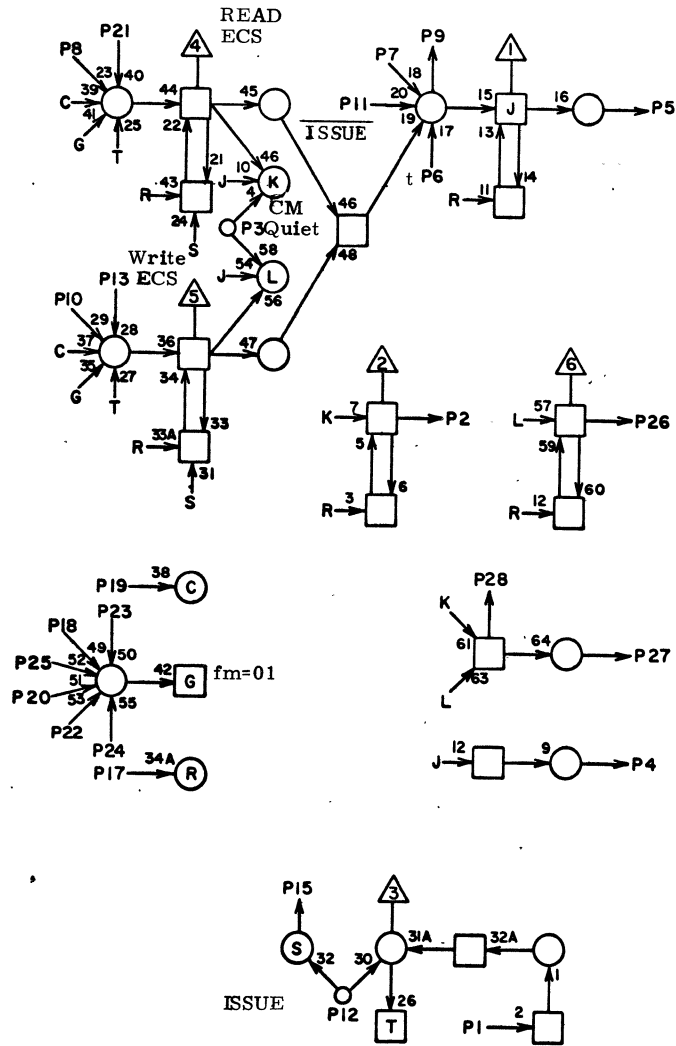
1	M10	18	33
2	E11	6	13
3			
4			
5	Q30	1	45
6			
7	E11	14	13
8	E11	19	13
9	G38	13	21
10	Q30	17	45
11			
12			
13	M10	15	31
14			
15			
16			
17			
18			
19	Q30	22	45
20			
21			
22			
23			
24			
25	E11	23	13
26	Q30	27	45
27			
28			

JACK PIN LG

LS 18056500
ASSY A
REV

AG

5F21



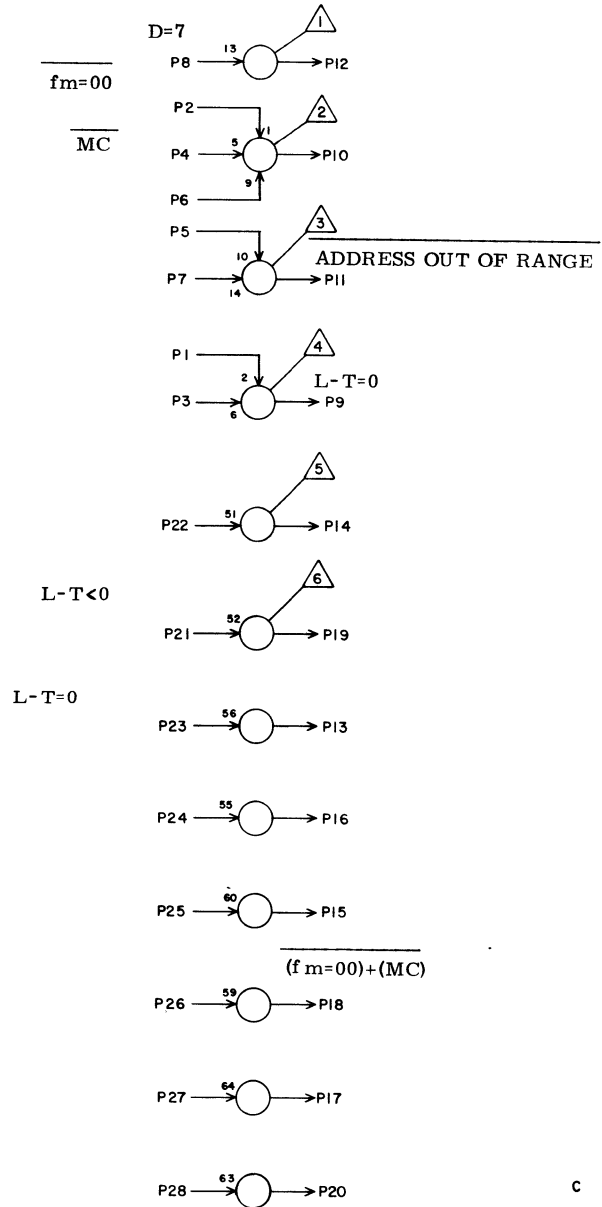
* Grounded for Standard Option 10104

JACK PIN LG
SEE CIRCUIT SPECIFICATION
11827600
60150800 Rev BD

LS 63064400
ASSY C
REV

TL

5F22



5F22

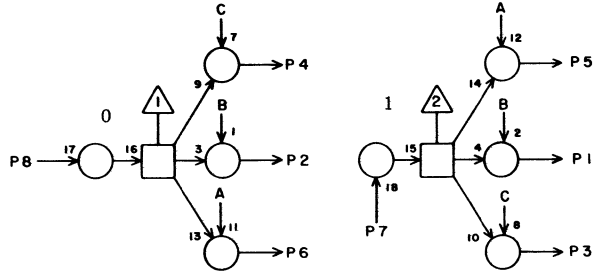
1	F22	13	120
2	Q04	20	47
3	F22	19	5
4	H17	27	13
5	G40	19	21
6	P20	28	41
7	F22	14	5
8	H33	1	17
9	I3	26	35
10	F22	26	3
11	F32	23	13
12	H33	24	17
13	F22	1	120
14	F22	7	5
15	F26	12	9
16	G20	6	19
17	L11	15	29
18	L10	15	27
19	F22	3	5
20	L13	3	27
21	H29	14	15
22	C23	2	15
23	H29	20	17
24	L12	17	43
25	F36	14	17
26	F22	10	3
27	E15	24	11
28	E15	22	11

JACK PIN LG
CIRCUIT SPECIFICATION 11827600

C

60150800 Rev AF

Select j

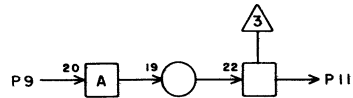


1	H10	22	19
2	H09	22	19
3	H10	13	17
4	H09	13	19
5	H13	24	17
6	H13	6	15
7	G22	10	7
8	G22	16	7
9	H26	17	13
10	F39	11	19
11	E09	7	17
12	F32	28	13
13	E09	12	17
14	E26	14	9
15	E27	14	9
16	F39	24	17
17	K36	25	25
18	E09	5	17
19	F31	10	11
20	H27	17	13
21	G22	14	5
22	G22	11	5
23	H11	13	17
24	H12	13	15
25	H14	6	15
26	H14	24	15
27	H11	22	17
28	H12	22	17

CIRCUIT SPECIFICATION 11827600

60150800 Rev L

Sel Xj



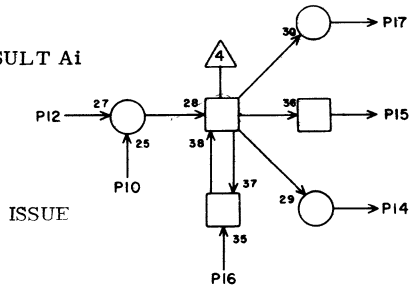
Bj



Aj

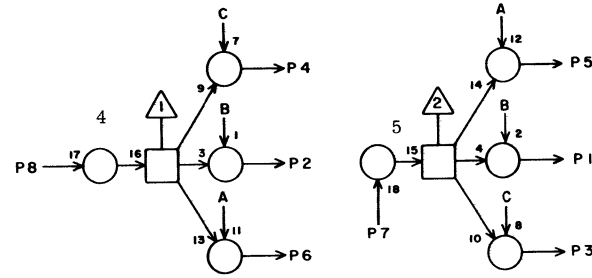


U² RESULT Ai

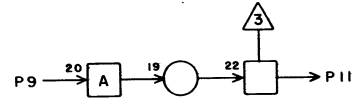


ISSUE ERROR

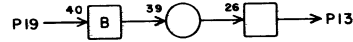
Select j



Select Xj



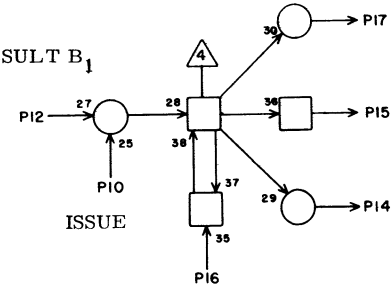
Bj



Aj



U², RESULT B₁

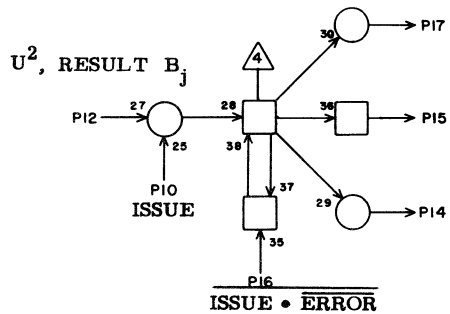
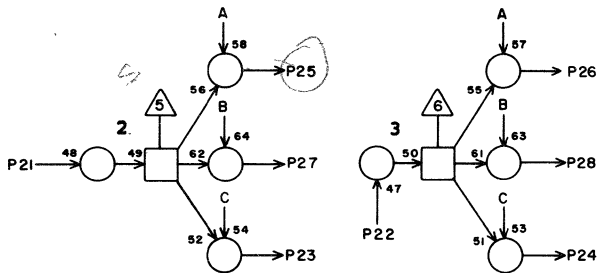
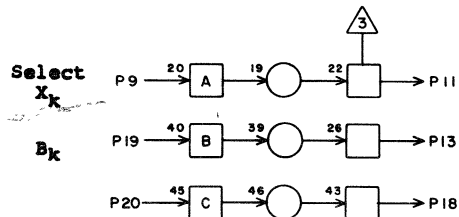
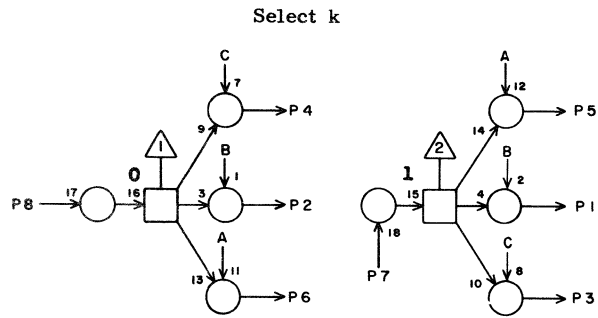


ISSUE ERROR

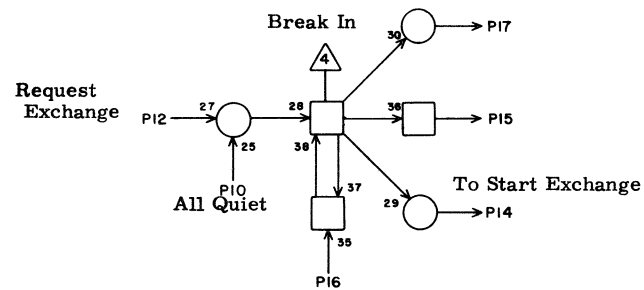
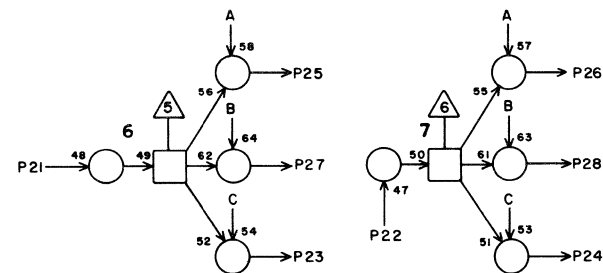
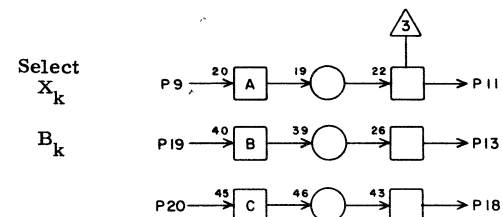
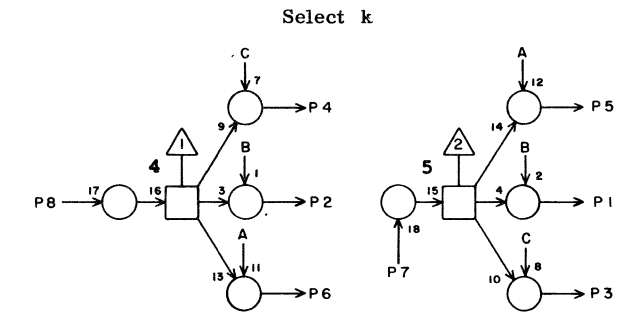
1	N12	22	37
2	N11	22	37
3	N12	13	35
4	N11	13	37
5	H15	24	17
6	H15	6	15
7	G22	9	7
8	G22	12	7
9	H26	14	13
10	F39	13	17
11			
12	C23	6	15
13			
14	E26	16	7
15	E27	16	9
16	F39	22	17
17	G20	28	9
18			
19	F31	12	11
20	H27	14	13
21	G22	13	7
22	G22	15	7
23	N13	13	33
24	N14	13	33
25	H16	6	13
26	H16	24	15
27	N13	22	33
28	N14	22	33

CIRCUIT SPECIFICATION 11827600

60150800 Rev B

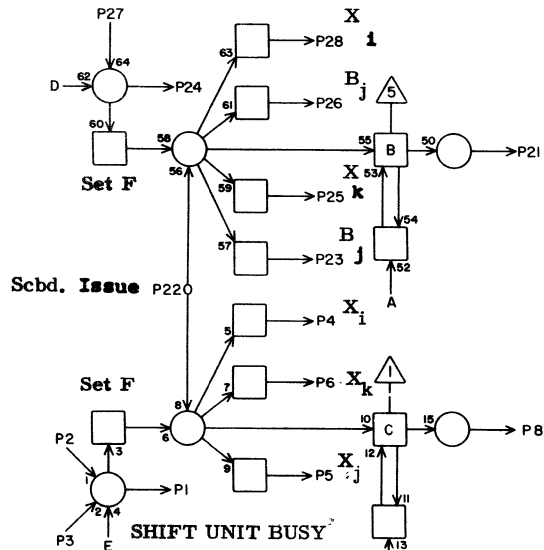


IO		5F25	
1	H10	6	19
2	H09	6	19
3			
4			
5	H13	26	17
6	H13	4	17
7	G23	10	9
8	G23	16	7
9	F31	24	9
10	F39	1	17
11			
12	F32	14	11
13			
14	E31	20	11
15			
16	F39	20	17
17	K36	28	25
18	F37	28	15
19	F31	20	7
20	N10	22	37
21	G23	14	7
22	G23	11	7
23			
24			
25	H14	4	15
26	H14	26	17
27	H11	6	17
28	H12	6	17
	JACK	PIN	LG

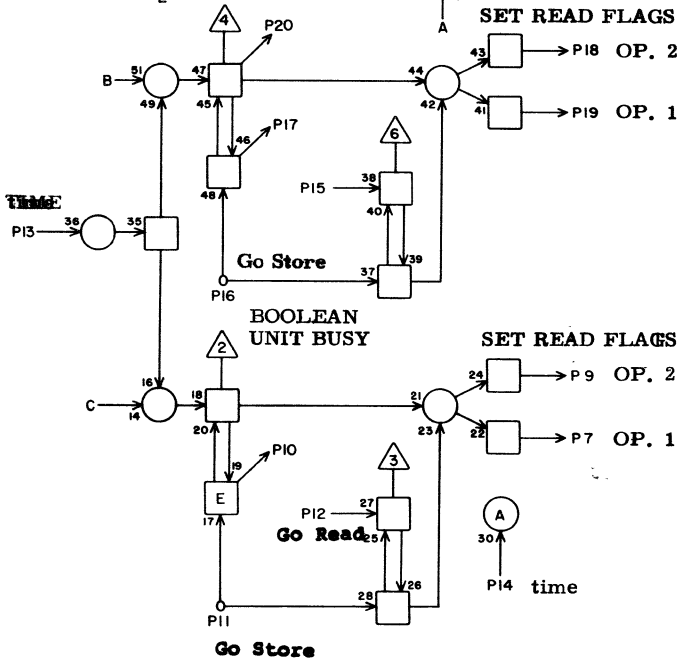


IO		5F26	
1	N12	6	37
2	N11	6	37
3			
4			
5	H15	26	17
6	H15	4	17
7	G23	9	7
8	G23	12	7
9	F31	22	7
10	H02	18	27
11			
12	F22	15	9
13			
14	O40	10	41
15	L17	15	27
16	E28	18	7
17	F36	16	13
18			
19	F31	21	7
20			
21	G23	13	7
22	G23	15	7
23			
24			
25	H16	4	15
26	H16	26	15
27	N13	6	33
28	N14	6	33
	JACK	PIN	LG

SHIFT/BOOLEAN UNIT BUSY



SHIFT UNIT BUSY



Go Store

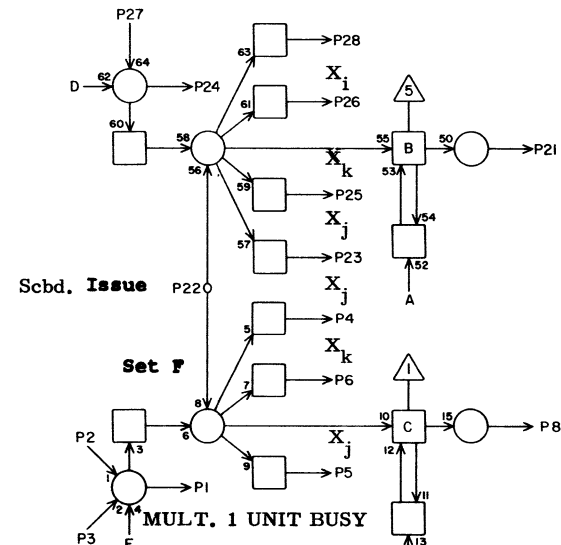
HI 5F27

1	I21	21	19
2	GRD	X	2
3	H36	7	15
4	G03	9	25
5	G01	9	27
6	G02	9	25
7	K07	14	29
8	E35	13	11
9	K08	14	29
10	L02	10	37
11	I37	5	19
12	H23	8	13
13	G19	24	13
14	I25	7	15
15	H22	21	13
16	I37	6	17
17	L01	10	35
18	K06	14	29
19	K05	14	31
20			
21	E36	4	13
22	F34	28	11
23	F15	9	15
24	I21	23	17
25	F16	9	15
26	F18	9	13
27	G37	11	13
28	F19	9	11

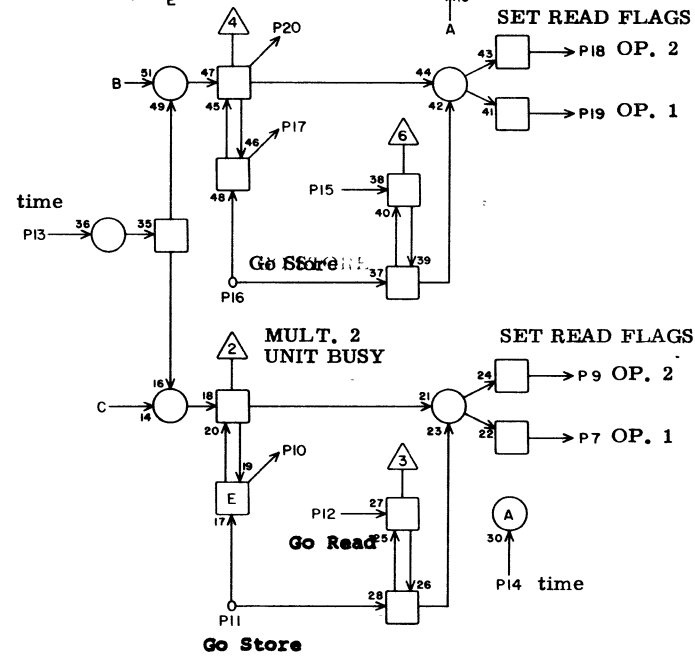
JACK PIN LG

60150800 Rev. E

MULTIPLY 1 & 2 UNIT BUSY



MULT. 1 UNIT BUSY



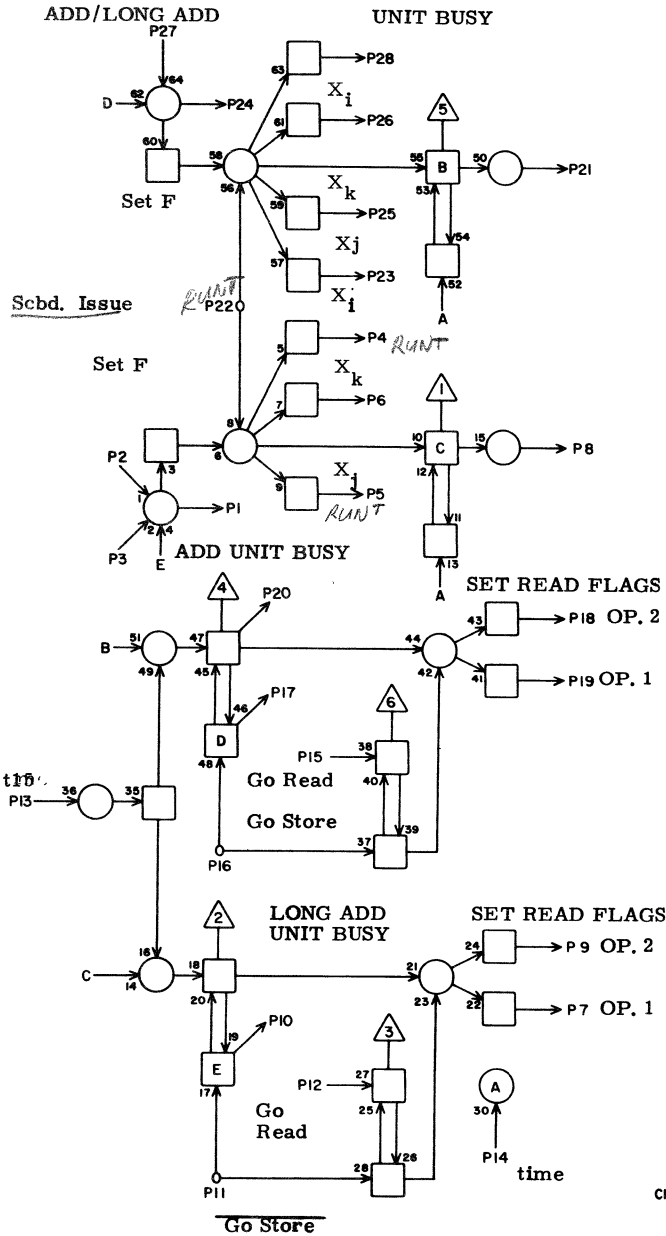
Go Store

HI 5F28

1	I21	25	19
2	G33	3	11
3	G37	26	15
4	G12	9	19
5	G10	9	21
6	G11	9	19
7	K13	14	25
8	E37	13	13
9	K14	14	27
10	L13	10	29
11	J36	4	19
12	H23	26	15
13	G19	22	13
14	I25	9	15
15	H23	21	13
16	I37	23	19
17	L05	10	33
18	K12	14	27
19	K11	14	27
20	G33	5	9
21	E37	12	13
22	F34	20	9
23	G07	9	23
24	I21	26	17
25	G08	9	23
26	G09	9	21
27	G37	24	15
28			

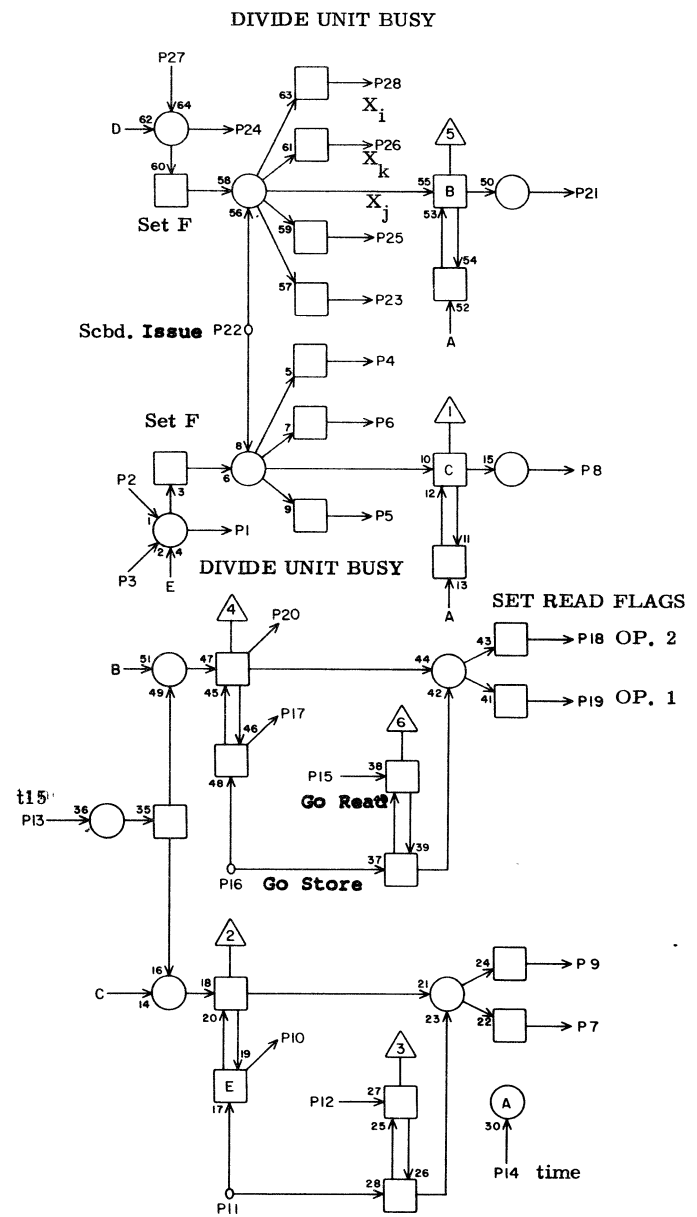
JACK PIN LG

60150800 Rev. E



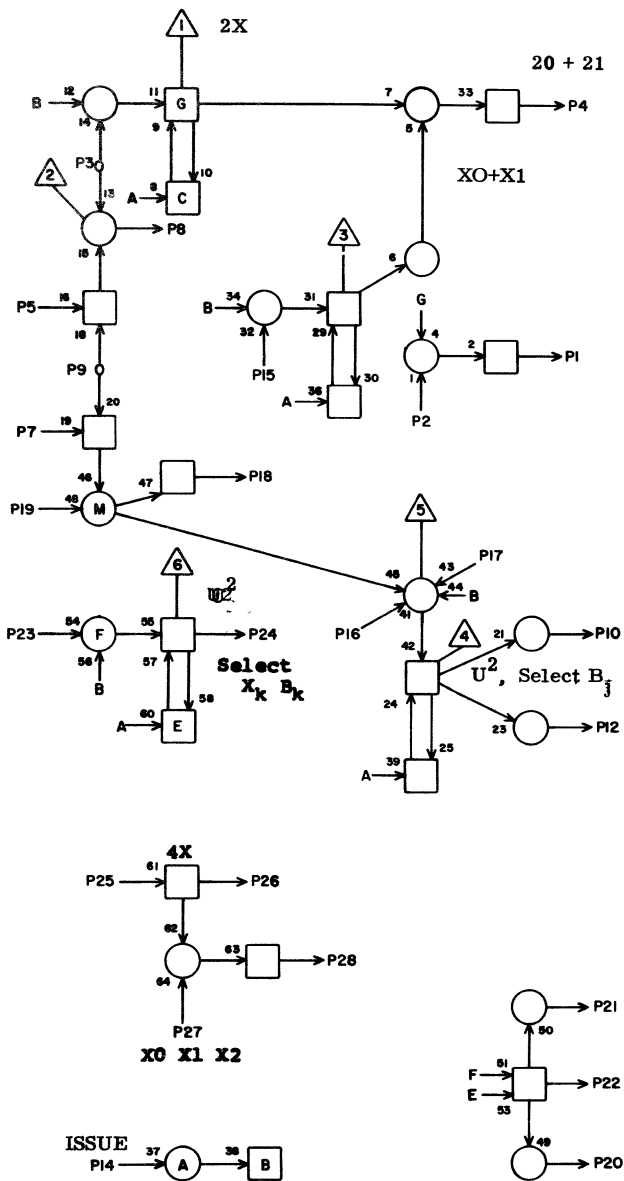
1	I21	27	19
2	G37	19	13
3	GRD	X	2
4	G15	9	17
5	G13	9	17
6	G14	9	17
7	K15	14	27
8	E37	15	9
9	K16	14	25
10	L04	10	35
11	J36	3	19
12	H22	26	15
13	G19	20	15
14	I25	20	17
15	H22	1	13
16	J36	24	21
17	L06	10	33
18	K18	14	25
19	K17	14	25
20			
21	E37	14	13
22	F34	22	7
23	G16	9	17
24	I21	28	17
25	G17	9	15
26	G18	9	15
27	H36	19	13
28			

JACK PIN LG
CIRCUIT SPECIFICATION I1827600
60150800 Rev A W



1			
2			
3			
4			
5			
6			
7			
8			
9			
10			
11			
12			
13	G19	18	15
14	I25	22	17
15	H23	1	13
16	I37	24	17
17	L03	10	35
18	K10	14	29
19	K09	14	29
20			
21	E37	9	13
22	F34	24	7
23	G04	9	27
24	E32	25	7
25	G05	9	25
26	G06	9	25
27	G37	12	11
28			

JACK PIN LG



HG		5F31	
JACK	PIN	PIN	LG
1	F16	23	17
2			
3	C18	1	19
4	E11	11	108
5	C18	25	19
6			
7	C18	24	19
8	F32	12	5
9	C18	28	19
10	F23	19	11
11			
12	F24	19	11
13			
14	E28	17	7
15	G40	17	15
16	C23	7	17
17	C23	5	17
18	H27	12	13
19	C23	18	17
20	F25	19	7
21	F26	19	7
22	F26	9	7
23	C23	25	25
24	F25	9	9
25	C18	7	21
26	C23	22	17
27	C18	19	21
28	G37	17	13

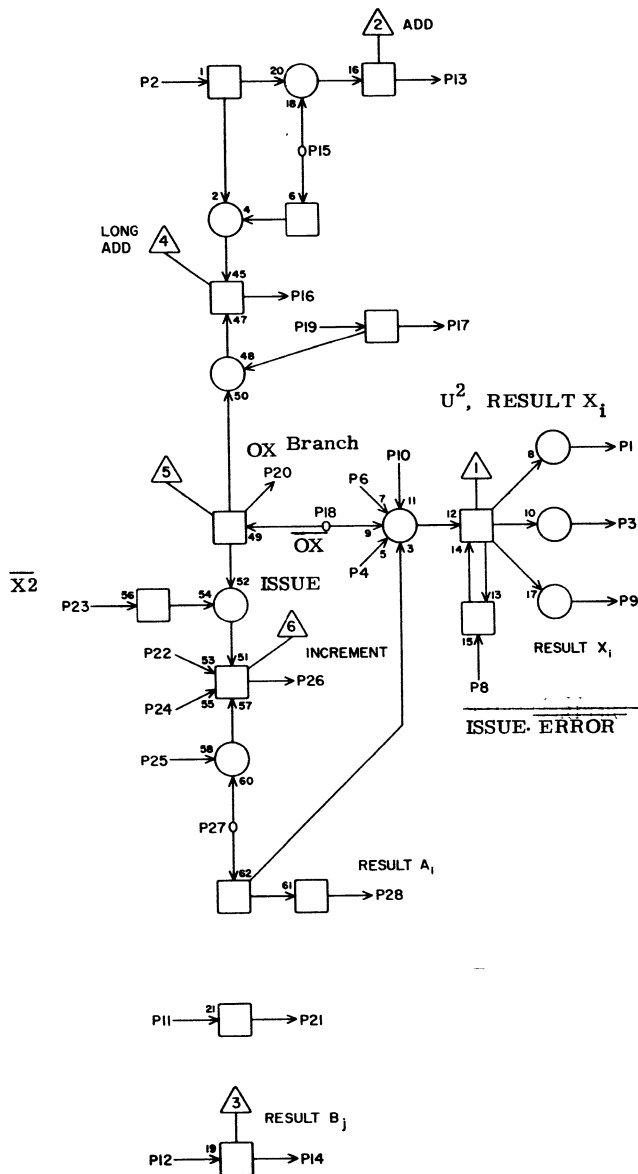
60150800 Rev. AL

LS 63049600
ASSY

B
REV

1Y

5F32



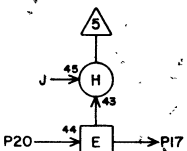
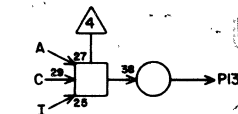
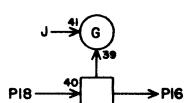
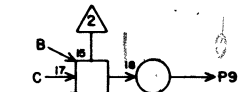
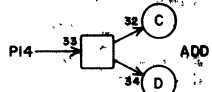
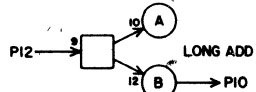
5F32		JACK	PIN	LG
1	H25	1	13	
2	C18	6	19	
3	E26	15	9	
4	F39	15	11	
5				
6	C23	13	17	
7				
8	F39	25	11	
9	E27	15	9	
10	C23	20	17	
11	K36	15	23	
12	F31	8	5	
13	H36	18	11	
14	F25	12	11	
15	C18	27	21	
16	G37	18	11	
17				
18	R13	11	49	
19	C18	21	21	
20				
21	F19	23	15	
22				
23	F22	11	13	
24	C23	17	19	
25	O19	1	37	
26	H36	13	13	
27	C23	12	19	
28	F23	12	13	

CIRCUIT SPECIFICATION 11827600

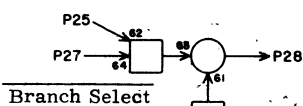
60150800 Rev AN

S 63046700
ASSY

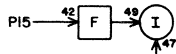
C
REV



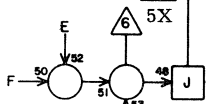
(PC=0) (No Branch)



Branch Select



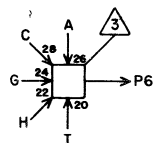
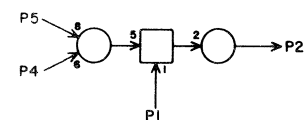
Go Branch



In Stack Loop Proceed

Clear PC

MC + Stop CP



HV

5F33

1	G28	15	1,1
2	L06	15	37
3			
4	K20	28	27
5	R31	14	49
6	F40	13	11
7			
8	G33	12	7
9	G33	10	7
10			
11	E35	3	9
12	G37	23	11
13	G33	7	7
14	H36	23	11
15	E14	16	60
16	G26	15	108
17			
18	E14	3	21
19	E34	21	7
20	E14	26	21
21	F37	3	180
22	G36	15	7
23	G31	18	7
24	F38	28	84
25	I06	28	31
26	P10	19	180
27	P21	11	41
28	G28	3	45

JACK PIN LG

CIRCUIT SPECIFICATION 11827600

60150800 Rev BG

LS 18057700

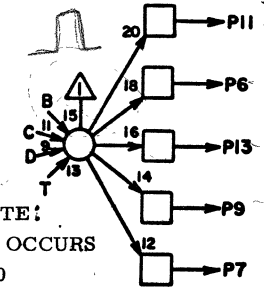
ASSY

4
REV

ISSUE FANOUTS

AM

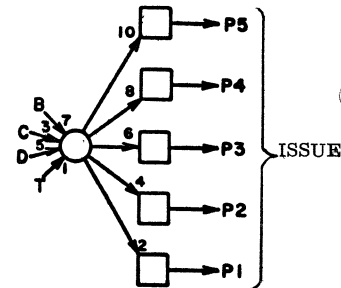
5F34



NOTE:
ISSUE OCCURS
AT t00
(test point 1)

T05

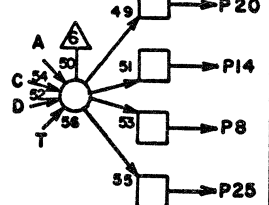
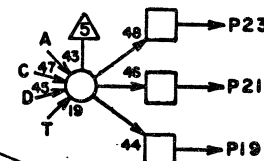
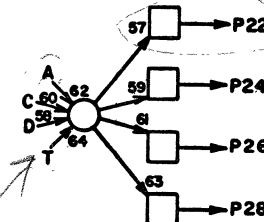
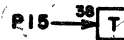
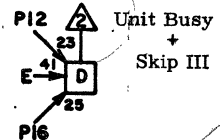
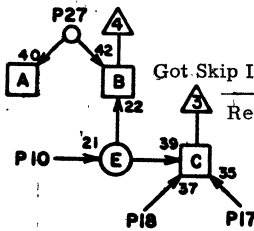
ISSUE



Go Skip
Go Skip III

Got Skip III

Result Reserved + Skip III



SCOREBOARD
ISSUE

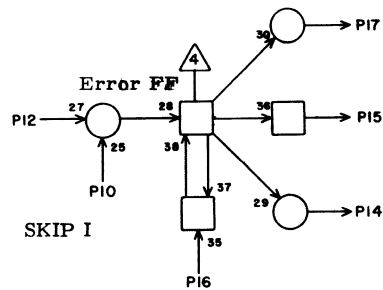
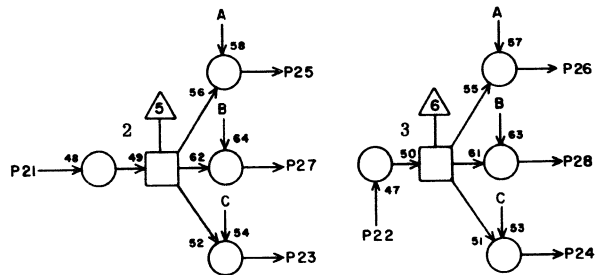
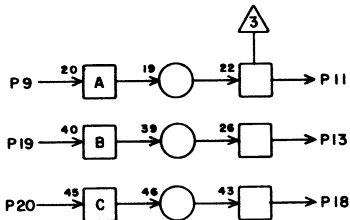
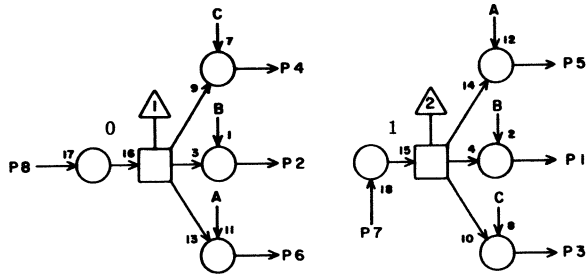
1	E28	6	9
2	G30	23	11
3	O32	7	37
4	F39	14	7
5	G30	4	9
6	F21	12	15
7	E28	26	11
8	G27	2	11
9	E14	17	21
10	G20	14	17
11	E13	15	23
12	I21	22	21
13	E12	16	23
14	F38	3	7
15	M11	19	60
16	E32	28	7
17	Q18	5	47
18	E31	13	7
19	E28	3	11
20	F28	22	9
21	F40	15	11
22	F29	22	7
23	G30	16	9
24	F30	22	7
25	F40	14	7
26	F26	28	11
27	G30	7	7
28	F27	22	11

JACK PIN LG

SEE CIRCUIT SPECIFICATION
11827600

60150800 Rev. AF

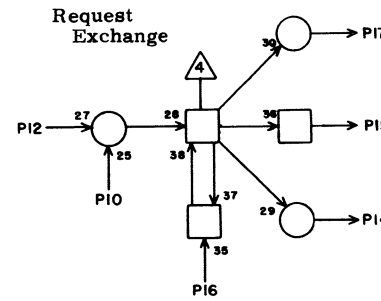
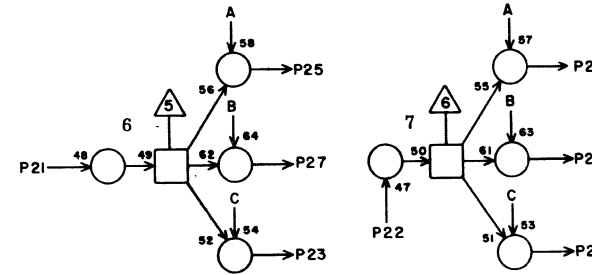
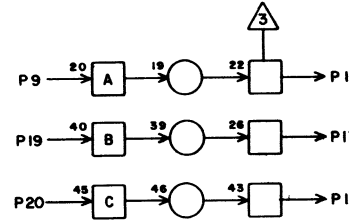
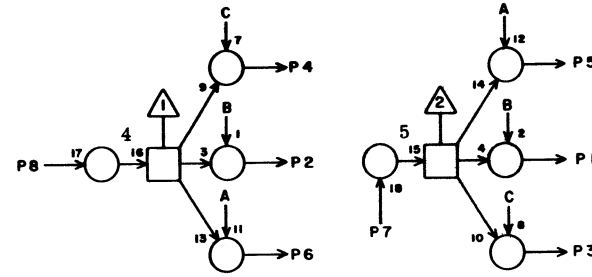
RESULT j



1	H34	12	13
2	H34	11	13
3			
4			
5			
6			
7	G25	10	15
8	G25	16	15
9	E20	14	15
10	E09	1	27
11	R13	2	53
12	L18	13	31
13			
14	L17	3	31
15	F39	16	5
16	K17	28	29
17	M23	24	31
18	R13	1	51
19	K36	21	23
20	E21	14	15
21	G25	14	15
22	G25	11	13
23			
24			
25			
26			
27	H34	17	11
28	H34	18	11

JACK PIN LG
CIRCUIT SPECIFICATION I1827600

RESULT j



1	H35	12	13
2	H35	11	13
3			
4			
5			
6			
7	G25	9	15
8	G25	12	15
9	E22	14	15
10			
11	R13	3	53
12	F37	7	3
13			
14	F22	25	17
15			
16	F26	17	13
17			
18			
19	K36	22	25
20			
21	G25	13	15
22	G25	15	15
23			
24			
25			
26			
27	H35	17	11
28	H35	18	11

JACK PIN LG
CIRCUIT SPECIFICATION I1827600

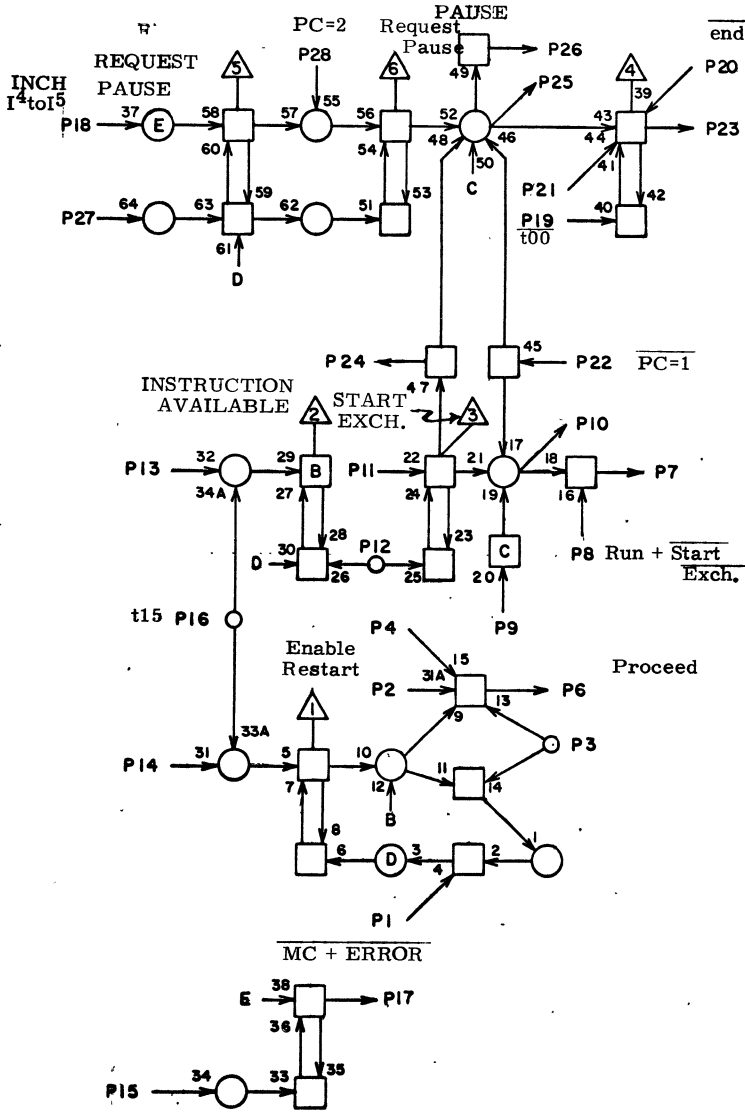
LS 18057500
ASSY

A
REV

INSTRUCTION GO CONTROL

AL

5F37



1	K18	28	31
2	P20	8	108
3	F33	21	180
4	A21	20	25
5			
6	G30	11	11
7	F36	12	3
8	I01	28	39
9	F39	18	9
10	F36	10	7
11	N07	11	41
12	H24	12	19
13	P10	14	47
14	R32	28	49
15	G29	6	13
16	H19	21	120
17	F38	11	3
18	E15	13	23
19	H18	17	120
20	E28	16	13
21	P10	20	47
22	A22	3	27
23	R32	23	43
24	I01	21	37
25	H25	2	55
26	F37	27	120
27	F37	26	120
28	F25	18	10

JACK PIN LG

SEE CIRCUIT SPECIFICATION
11827600

60150800 Rev. BD

* ON 6614 TO R39-20

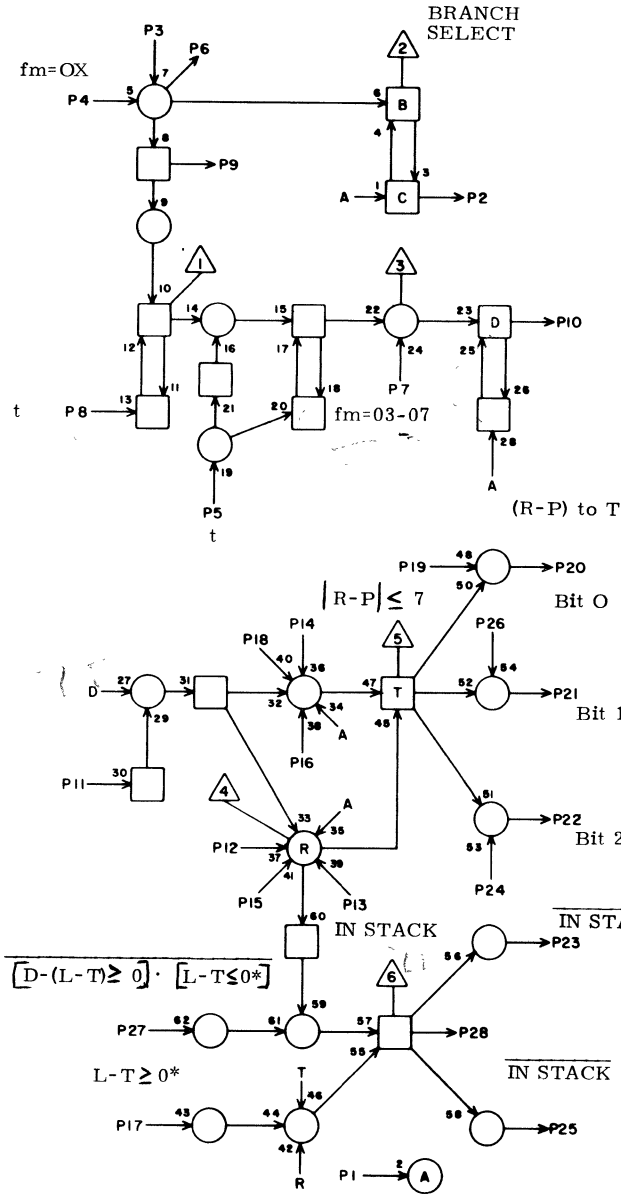
LS 63051600
ASSY

B
REV

LOOP TEST NETWORK
SCBD. ISSUE

JS

5F38

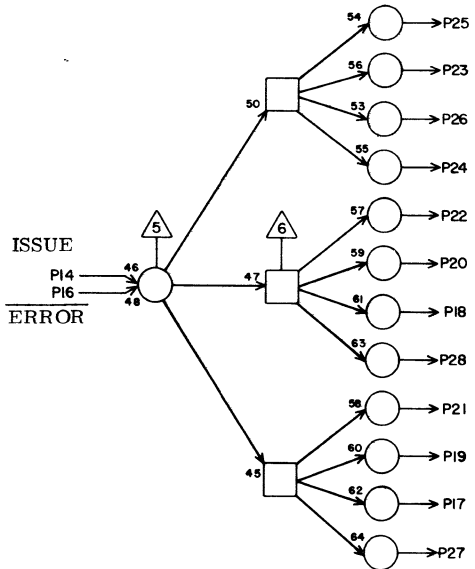
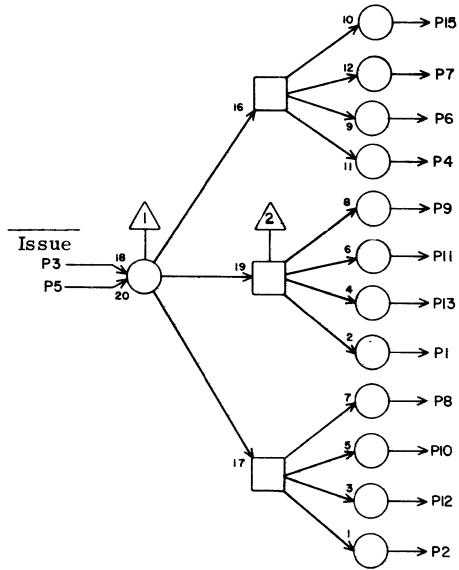


1	Q04	16	180
2	Q26	1	45
3	F34	14	7
4	E35	2	7
5	M09	12	41
6	K36	1	23
7	H04	18	35
8	H18	22	23
9	Q04	11	55
10	H29	25	180
11	F37	17	3
12	E31	15	13
13	O15	9	43
14	O14	24	45
15	O16	9	41
16	O15	24	41
17	H29	16	15
18	O16	24	41
19	O17	12	41
20	H28	15	15
21	H28	16	15
22	H28	26	17
23	P10	22	132
24	O17	27	41
25	P10	6	132
26	O17	4	41
27	I03	28	37
28	F33	24	84

JACK PIN LG

CIRCUIT SPECIFICATION 11827600
60150800 Rev AS

*The sign of T is not taken into account for these translations. 5F38



TC

5F39

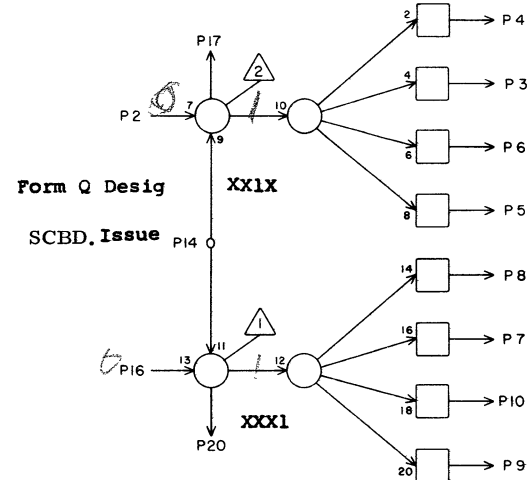
1	F25	10	17
2	N07	23	47
3	F21	15	21
4	H26	10	17
5			
6			
7			
8			
9	H27	10	17
10			
11	F23	10	19
12			
13	F24	10	17
14	F34	4	7
15	F32	4	11
16	F35	15	5
17	L04	15	43
18	F37	9	9
19	L20	3	31
20	F25	16	17
21	H26	16	17
22	F24	16	17
23	K36	6	120
24	F23	16	17
25	F32	8	11
26	H27	16	17
27	L21	3	31
28	L22	3	31

JACK PIN LG
CIRCUIT SPECIFICATION 11827600

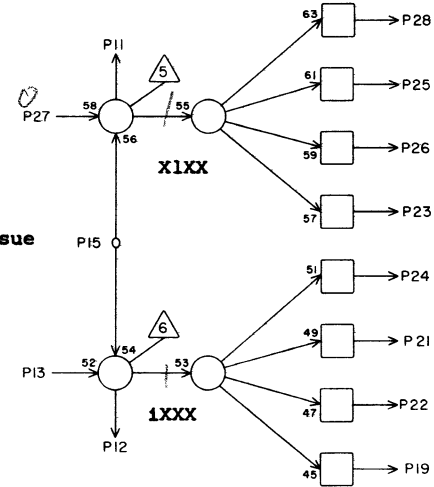
C

KL

5F40



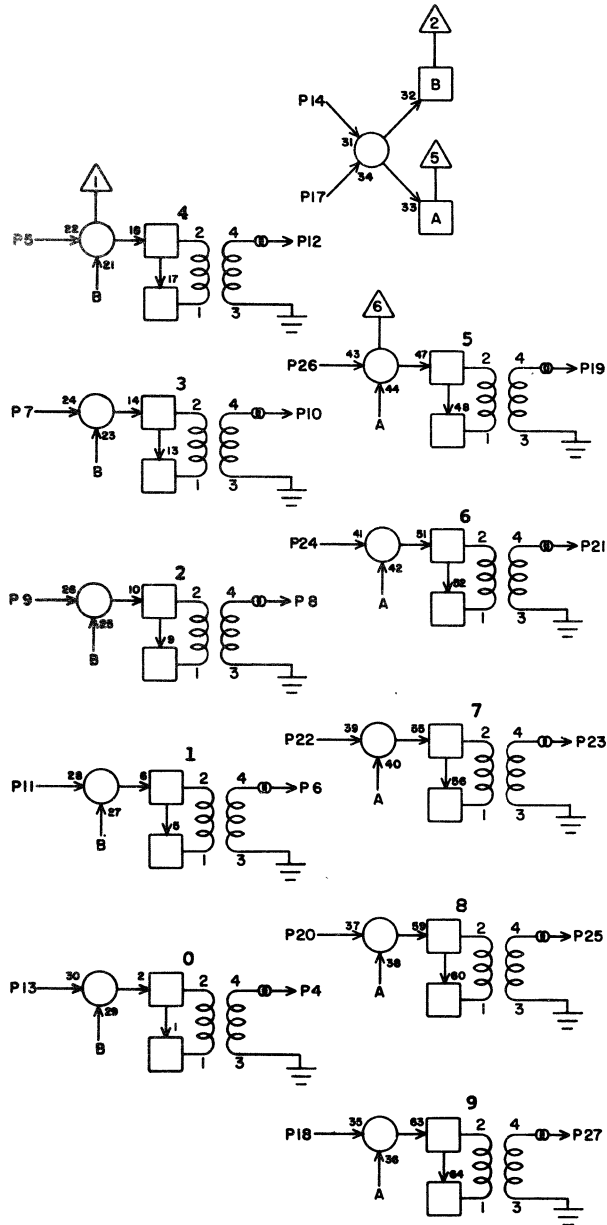
SCBD. Issue



1			
2	G33	9	13
3	H34	14	13
4	H35	14	13
5	L22	15	120
6	G35	14	9
7	H34	16	15
8	H35	16	13
9	L21	15	120
10	G35	16	9
11	G34	15	55
12	G34	13	55
13	F33	6	11
14	F34	25	7
15	F34	21	11
16	G33	14	13
17	G34	14	55
18			
19	L20	15	120
20	G34	16	55
21	H34	13	13
22	G35	13	7
23	L04	3	120
24	H35	13	15
25	H35	15	13
26	H34	15	13
27	G33	8	13
28	G35	15	7

JACK PIN LG

INCREMENT RESULT TO REGISTERS

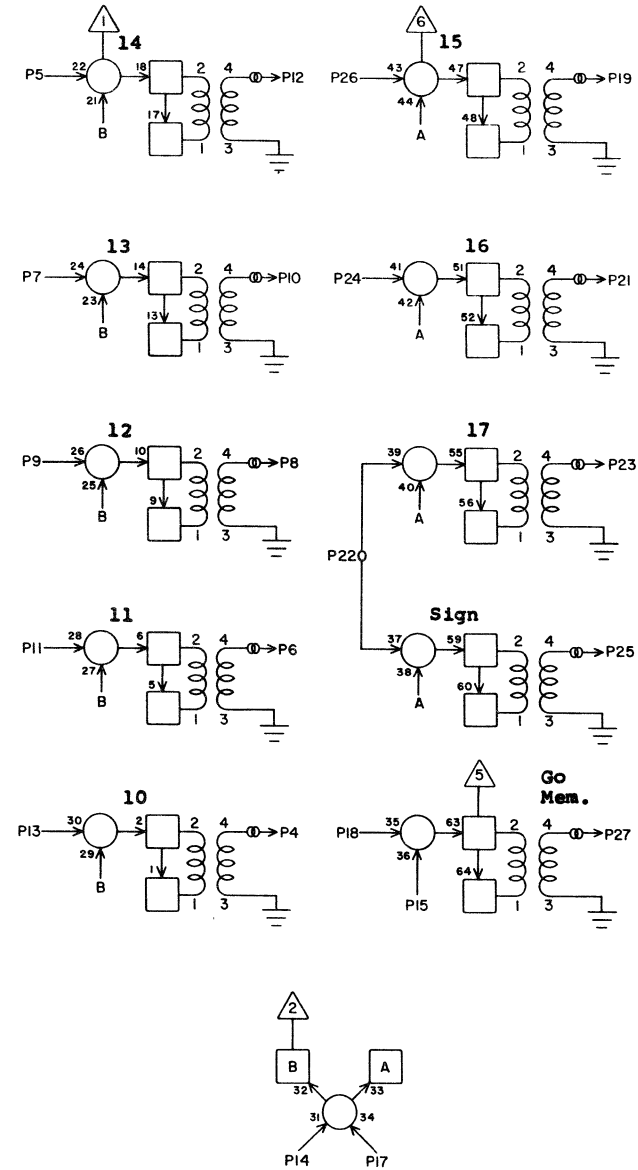


JQ **5F41**

1			
2			
3			
4	W08	900	
5	P03	10	53
6	W08	901	
7	P02	22	53
8	W08	902	
9	P02	10	53
10	W08	903	
11	P01	22	53
12	W08	904	
13	P01	10	53
14	R32	17	47
15			
16			
17	I24	6	96
18	P05	22	51
19	W08	905	
20	P05	10	53
21	W08	906	
22	P04	22	53
23	W08	907	
24	P04	10	53
25	W08	908	
26	P03	22	53
27	W08	90	
28			

JACK PIN LG

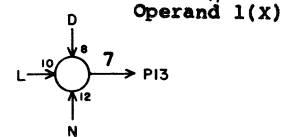
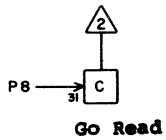
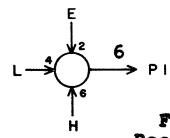
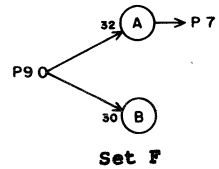
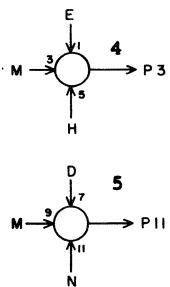
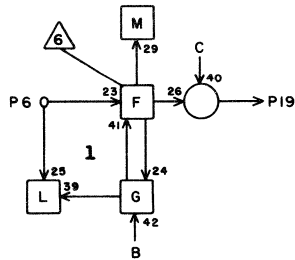
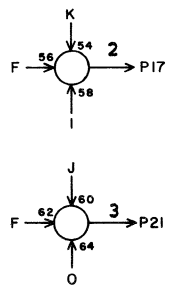
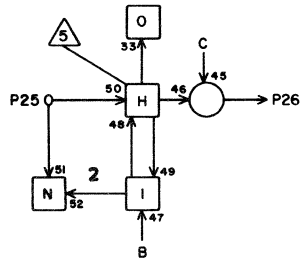
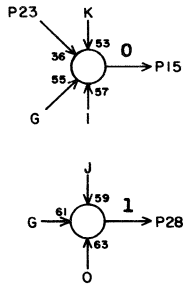
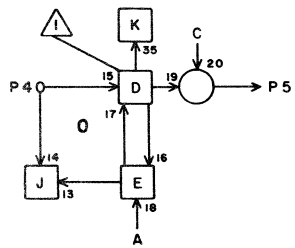
INCREMENT RESULT TO REGISTERS



CR **5F42**

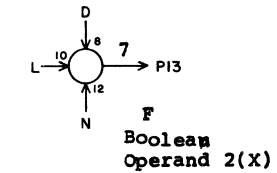
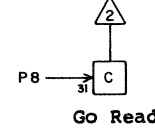
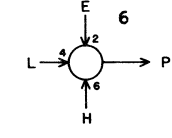
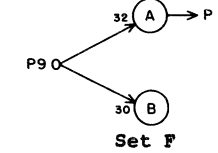
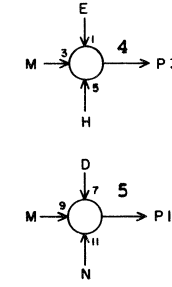
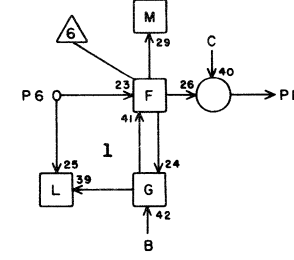
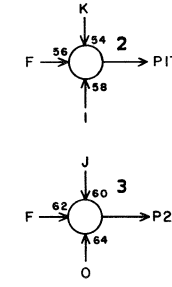
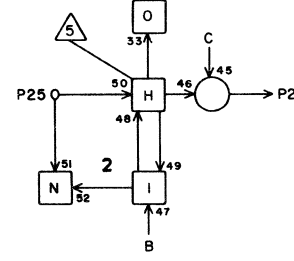
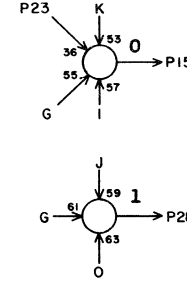
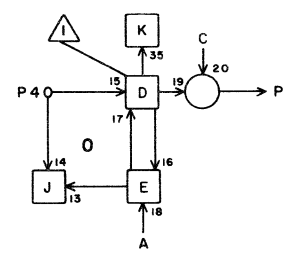
1			
2			
3			
4	W08	9	
5	P08	10	49
6	W08	92	
7	P07	22	49
8	W08	93	
9	P07	10	49
10	W08	94	
11	P06	22	49
12	W08	95	
13	P06	10	53
14	R32	19	49
15	M09	1	41
16			
17	I24	10	96
18	P37	28	41
19	W08	96	
20			
21	W08	97	
22	P09	22	47
23	W08	98	
24	P09	10	47
25	W11	90	
26	P08	22	47
27	W18	901	
28			

JACK PIN LG



IC		5G01	
1	L11	26	25
2			
3	L11	22	25
4	E05	16	13
5	J41	15	41
6	E05	13	13
7	E05	26	13
8	H23	14	23
9	F27	5	27
10			
11	L11	24	25
12			
13	L11	28	25
14			
15	L11	2	25
16			
17	L11	6	25
18			
19	J41	20	41
20			
21	L11	8	25
22			
23			
24			
25	E05	20	13
26	J41	19	41
27			
28	L11	4	25

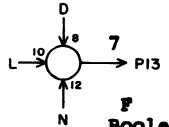
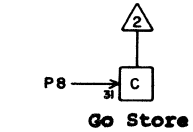
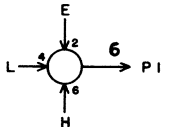
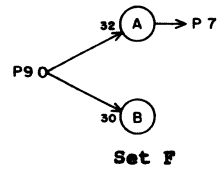
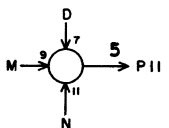
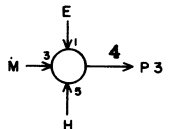
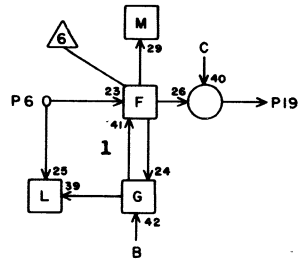
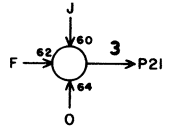
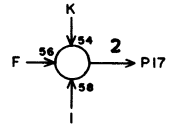
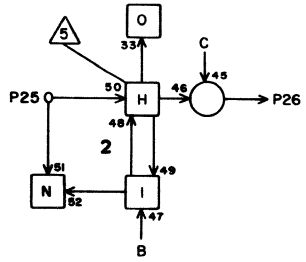
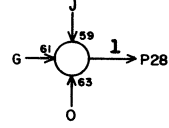
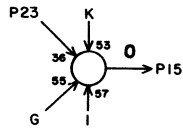
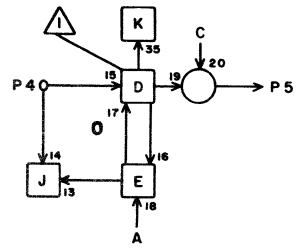
60150800 Rev. A



IC		5G02	
1	L12	26	25
2			
3	L12	22	25
4	E01	4	11
5	J42	15	41
6	E01	23	11
7	E01	25	11
8	H23	13	33
9	F27	6	25
10			
11	L12	24	25
12			
13	L12	28	25
14			
15	L12	2	25
16			
17	L12	6	25
18			
19	J42	20	41
20			
21	L12	8	25
22			
23			
24			
25	E01	21	13
26	J42	19	41
27			
28	L12	4	25

60150800 Rev. A

5G02



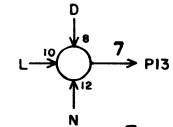
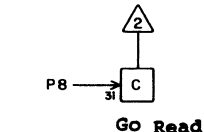
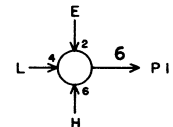
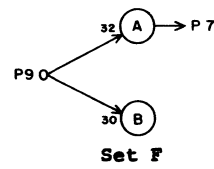
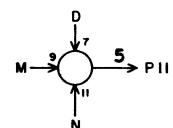
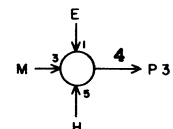
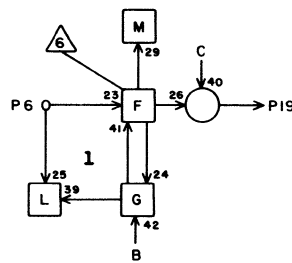
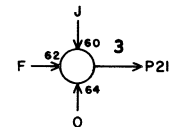
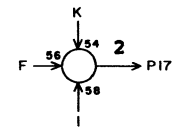
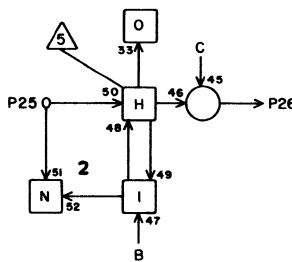
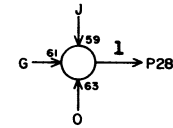
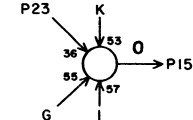
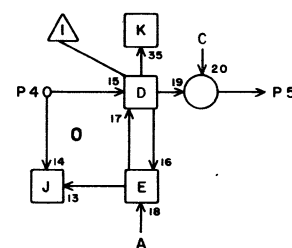
**F
Boolean
Result (X)**

IC **5G03**

1	L30	9	33
2			
3	L30	13	33
4	E06	12	13
5	H38	9	35
6	E06	18	13
7	E06	27	13
8	I37	1	33
9	F27	4	25
10			
11	L30	11	33
12			
13	L30	7	33
14			
15	L30	18	33
16			
17	L30	22	33
18			
19	H38	14	35
20			
21	L30	24	33
22			
23			
24			
25	E06	19	13
26	H38	19	33
27			
28	L30	20	33

JACK PIN LG

60150800 Rev. A



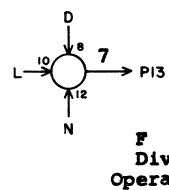
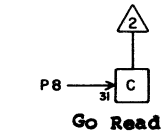
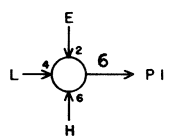
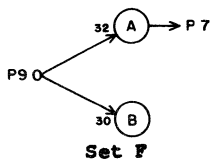
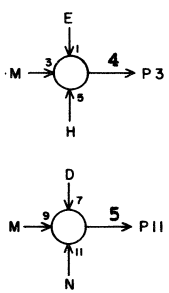
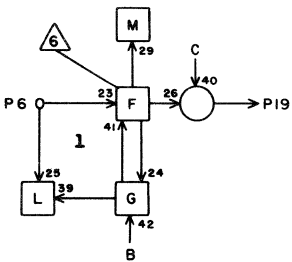
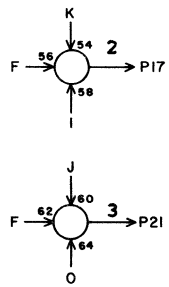
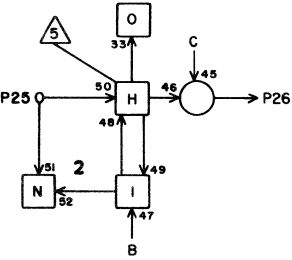
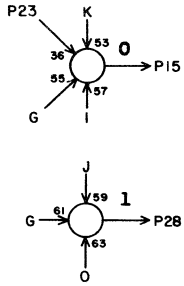
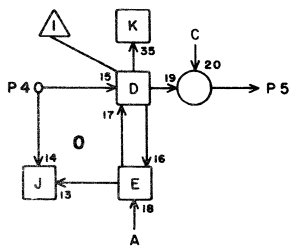
**F
Divide
Operand 1(X)**

IC **5G04**

1	L13	26	25
2			
3	L13	22	25
4	E05	4	11
5	J41	13	39
6	E05	23	11
7	E05	25	11
8	H23	3	21
9	F30	23	27
10			
11	L13	24	25
12			
13	L13	28	25
14			
15	L13	2	25
16			
17	L13	6	25
18			
19	J41	18	39
20			
21	L13	8	25
22			
23			
24			
25	E05	21	13
26	J41	21	39
27			
28	L13	4	25

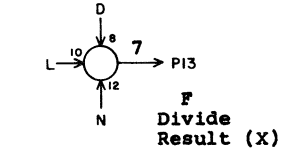
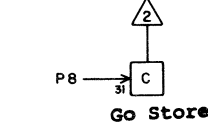
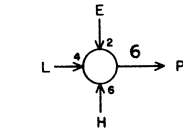
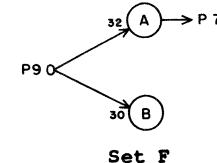
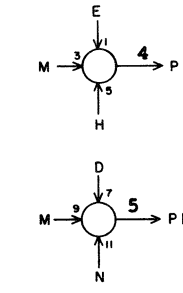
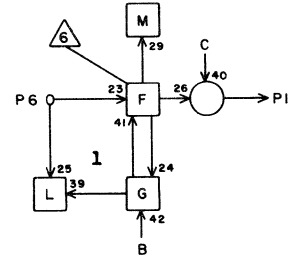
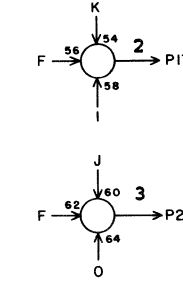
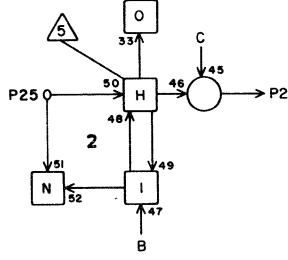
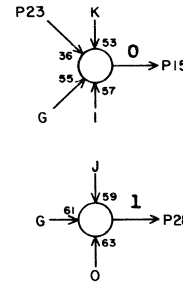
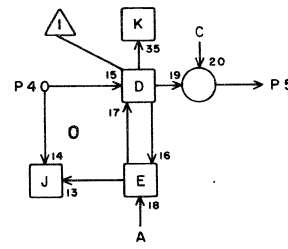
JACK PIN LG

60150800 Rev. A



IC		5G05	
1	L14	26	25
2			
3	L14	22	25
4	E01	12	11
5	J42	13	39
6	E01	18	13
7	E01	27	13
8	H23	7	21
9	F30	25	25
10			
11	L14	24	25
12			
13	L14	28	25
14			
15	L14	2	25
16			
17	L14	6	25
18			
19	J42	18	39
20			
21	L14	8	25
22			
23			
24			
25	E01	19	13
26	J42	21	39
27			
28	L14	4	25
	JACK	PIN	LG

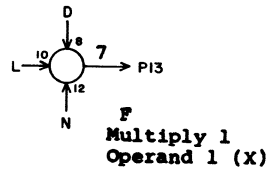
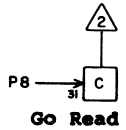
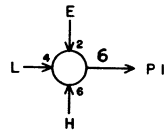
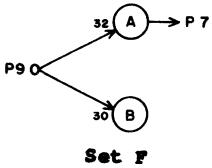
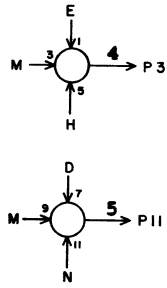
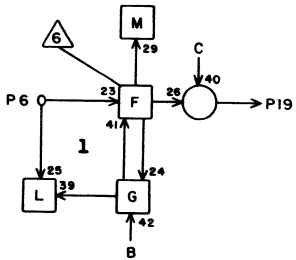
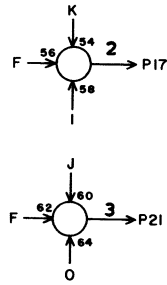
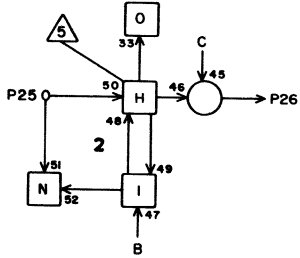
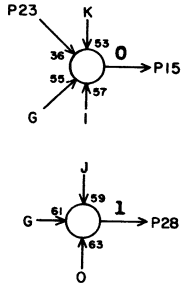
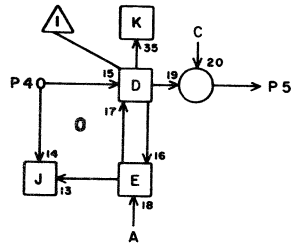
60150800 Rev. A



5G06

IC		5G06	
1	L31	9	33
2			
3	L31	13	33
4	E08	2	11
5	H38	11	31
6	E08	10	11
7	E08	8	11
8	I37	22	31
9	F30	26	25
10			
11	L31	11	33
12			
13	L31	7	33
14			
15	L31	18	33
16			
17	L31	22	33
18			
19	H38	16	31
20			
21	L31	24	33
22			
23			
24			
25	E08	17	13
26	H38	21	31
27			
28	L31	20	33
	JACK	PIN	LG

60150800 Rev. A

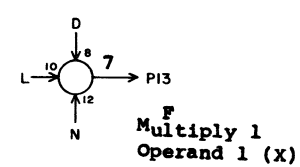
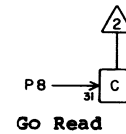
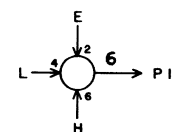
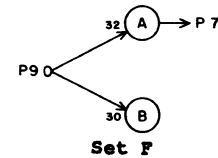
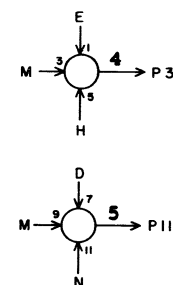
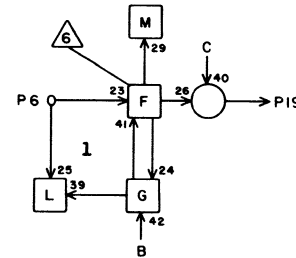
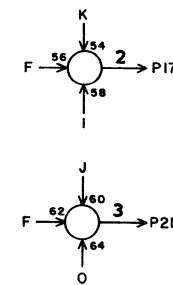
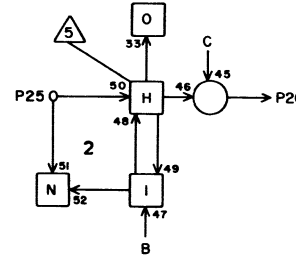
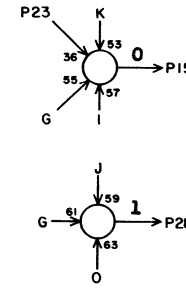
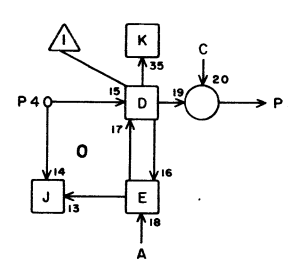


IC 5G07

1	L15	26	25
2			
3	L15	22	25
4	E05	12	11
5	J41	9	35
6	E05	18	11
7	E05	27	11
8	H23	15	19
9	F28	23	23
10			
11	L15	24	25
12			
13	L15	28	25
14			
15	L15	2	25
16			
17	L15	6	25
18			
19	J41	14	35
20			
21	L15	8	25
22			
23			
24			
25	E05	19	13
26	J41	25	35
27			
28	L15	4	25

JACK PIN LG

60150800 Rev. B

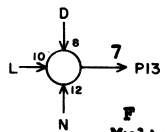
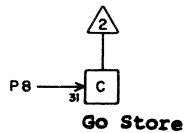
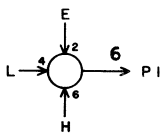
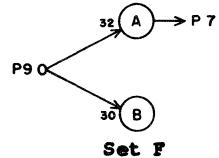
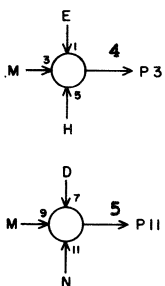
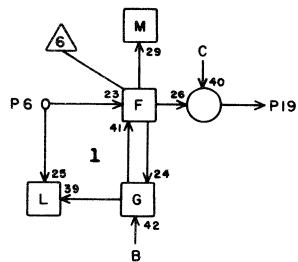
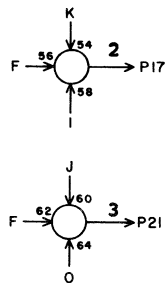
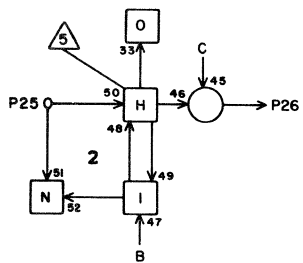
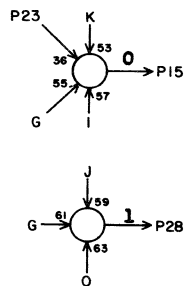
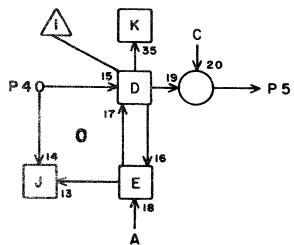


IC 5G08

1	L16	26	25
2			
3	L16	22	25
4	E04	2	11
5	J42	9	35
6	E04	10	13
7	E04	8	13
8	H23	17	29
9	F28	25	23
10			
11	L16	24	25
12			
13	L16	28	25
14			
15	L16	2	25
16			
17	L16	6	25
18			
19	J42	14	35
20			
21	L16	8	25
22			
23			
24			
25	E04	17	13
26	J42	25	35
27			
28	L16	4	25

JACK PIN LG

60150800 Rev. A

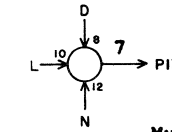
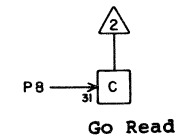
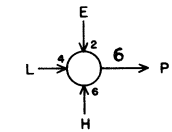
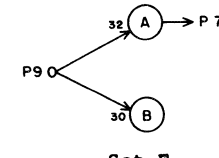
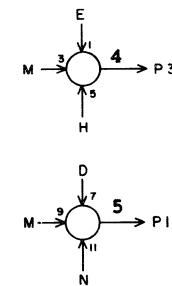
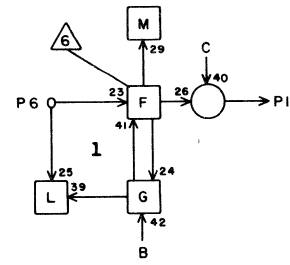
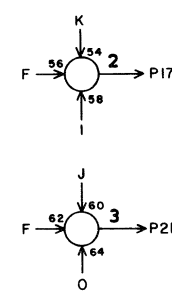
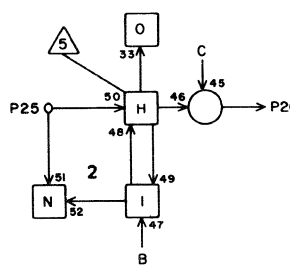
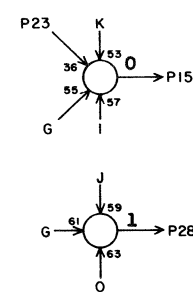
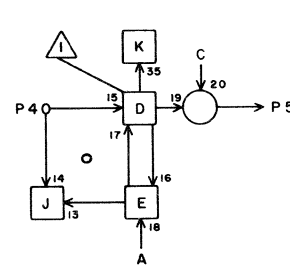


F
Multiply 1
Result (X)

IC **5G09**

1	L32	9	31
2			
3	L32	13	31
4	E08	14	11
5	H38	13	29
6	E08	11	11
7	E08	5	11
8	I37	21	29
9	F28	26	21
10			
11	L32	11	31
12			
13	L32	7	31
14			
15	L32	18	31
16			
17	L32	22	31
18			
19	H38	18	29
20			
21	L32	24	31
22			
23			
24			
25	E08	15	13
26	H38	23	29
27			
28	L32	20	31

JACK PIN LG
60150800 Rev A



F
Multiply 2
Operand 1 (X)

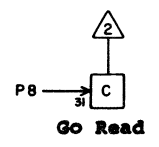
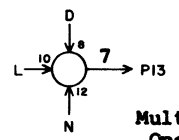
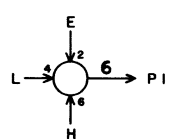
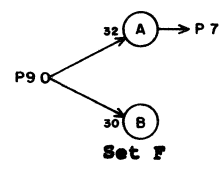
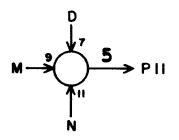
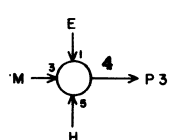
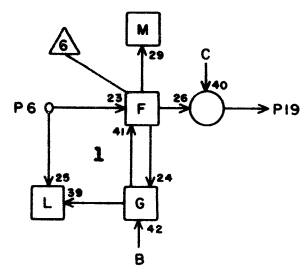
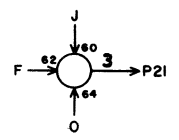
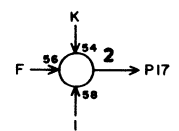
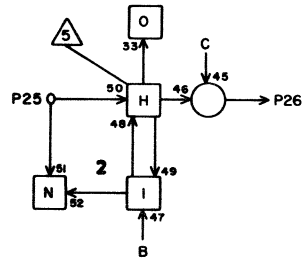
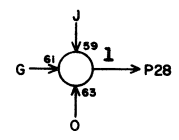
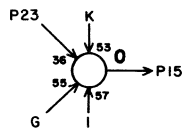
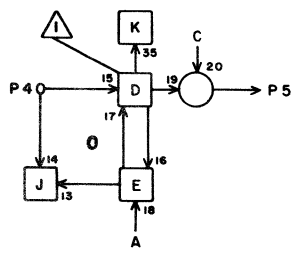
IC **5G10**

1	L17	26	25
2			
3	L17	22	25
4	E07	2	11
5	J41	11	33
6	E07	10	11
7	E07	8	11
8	H23	22	17
9	F28	5	21
10			
11	L17	24	25
12			
13	L17	28	25
14			
15	L17	2	25
16			
17	L17	6	25
18			
19	J41	16	33
20			
21	L17	8	25
22			
23			
24			
25	E07	17	13
26	J41	23	33
27			
28	L17	4	25

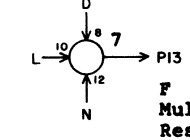
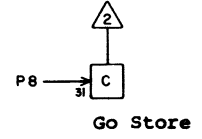
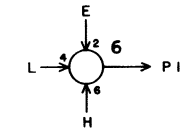
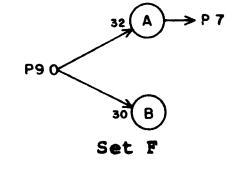
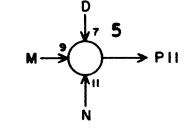
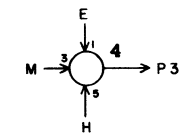
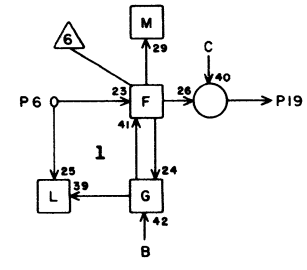
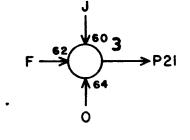
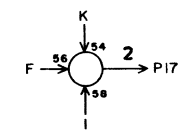
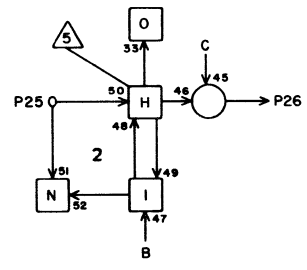
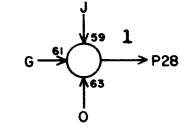
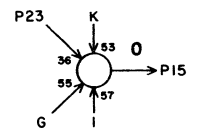
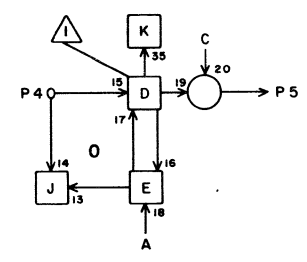
JACK PIN LG

60150800 Rev. A

IC **5G11**



F
Multiply 2
Operand 2 (X)



F
Multiply 2
Result (X)

1	L18	26	25
2			
3	L18	22	25
4	E04	14	13
5	J42	11	33
6	E04	11	13
7	E04	5	13
8	H23	28	29
9	F28	6	19
10			
11	L18	24	25
12			
13	L18	28	25
14			
15	L18	2	25
16			
17	L18	6	25
18			
19	J42	16	33
20			
21	L18	8	25
22			
23			
24			
25	E04	15	13
26	J42	23	33
27			
28	L18	4	25

JACK PIN LG

60150800 Rev. A

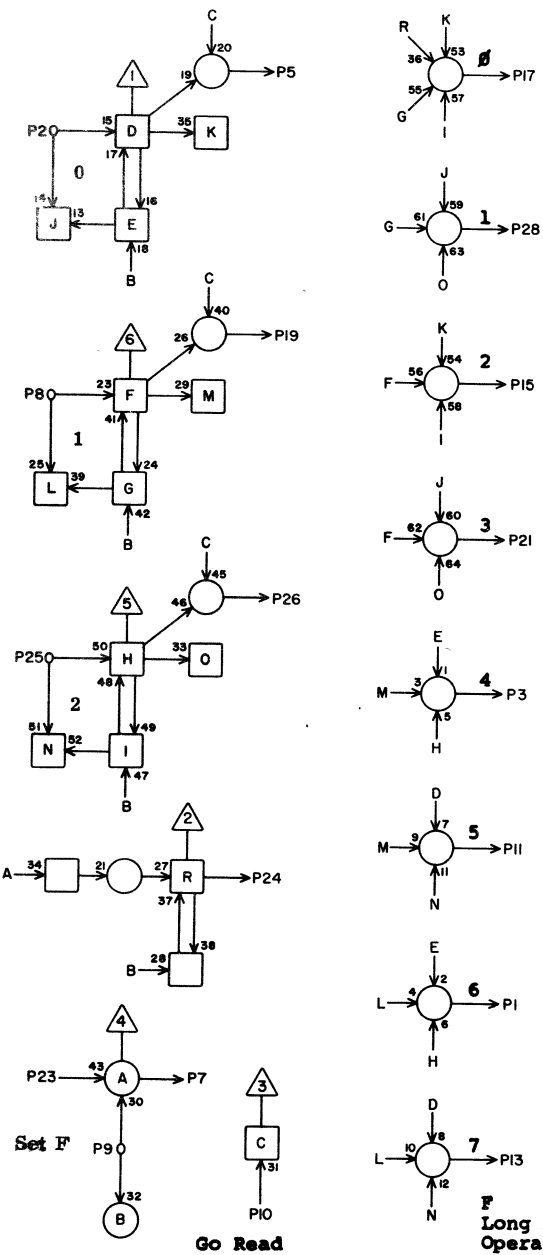
IC **5G12**

1	L33	9	29
2			
3	L33	13	29
4	E08	16	13
5	H38	15	27
6	E08	13	13
7	E08	26	13
8	J36	2	27
9	F28	4	19
10			
11	L33	11	29
12			
13	L33	7	29
14			
15	L33	18	29
16			
17	L33	22	29
18			
19	H38	20	27
20			
21	L33	24	29
22			
23			
24			
25	E08	20	13
26	H38	25	27
27			
28	L33	20	29

JACK PIN LG

60150800 Rev. A

CK 5G13

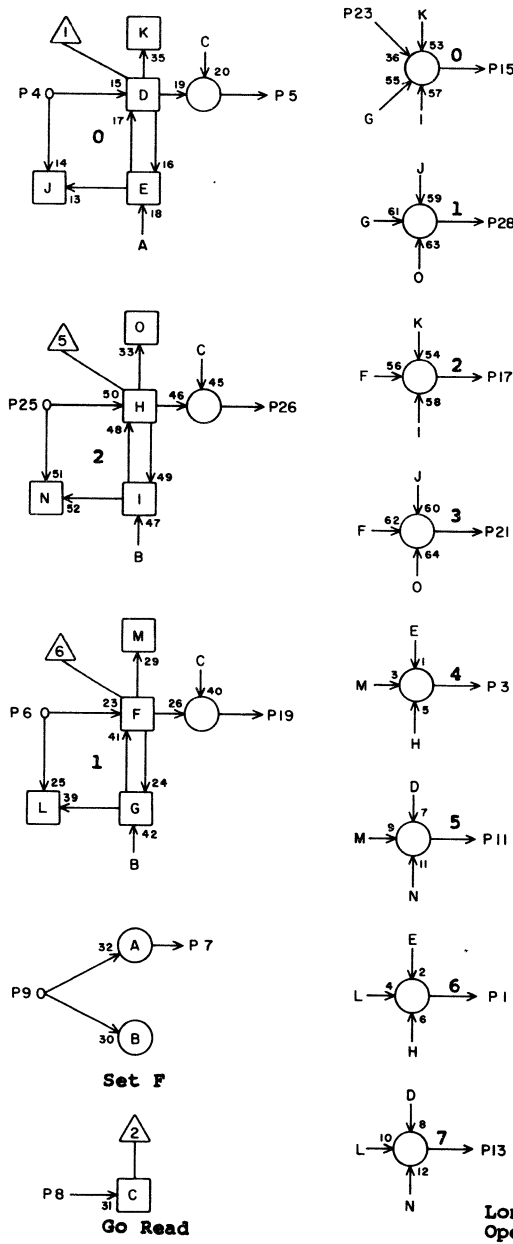


1	L19	26	25
2	E07	14	13
3	L19	22	25
4			
5	K41	9	31
6			
7	E07	5	13
8	E07	11	13
9	F29	5	17
10	H22	22	13
11	L19	24	25
12			
13	L19	28	25
14			
15	L19	6	25
16			
17	L19	2	25
18			
19	K41	14	31
20			
21	L19	8	25
22			
23	E35	11	25
24	H22	9	13
25	E07	15	15
26	K41	19	31
27			
28	L19	4	25

JACK PIN LG

60150800 Rev. B

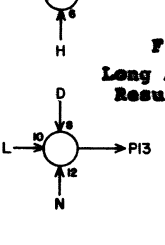
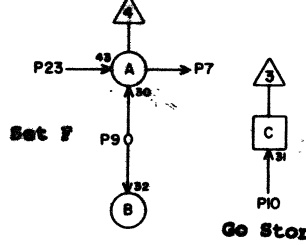
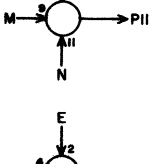
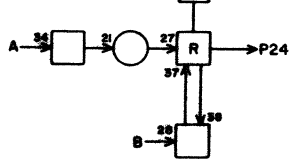
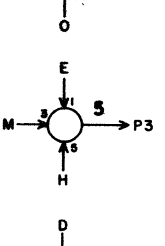
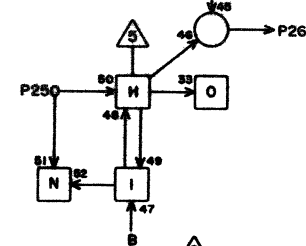
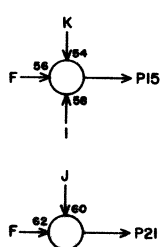
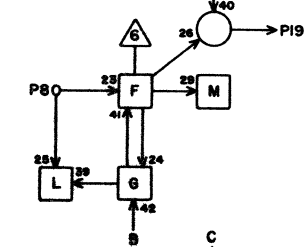
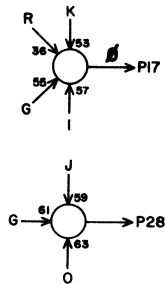
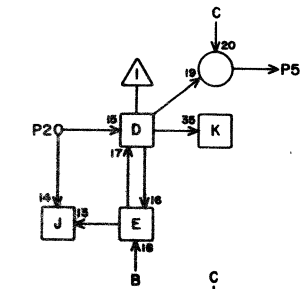
IC 5G14



JACK PIN LG

60150800 Rev. A

5G14

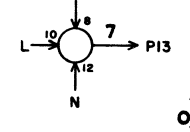
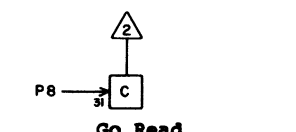
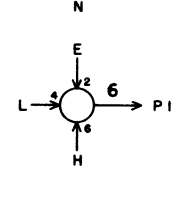
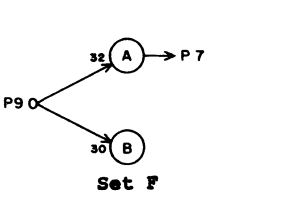
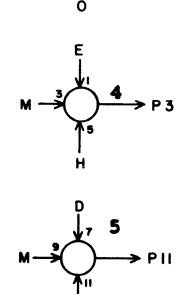
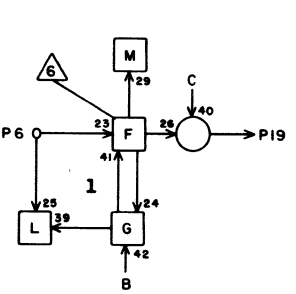
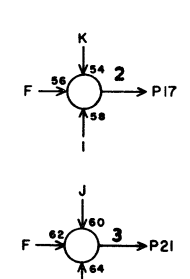
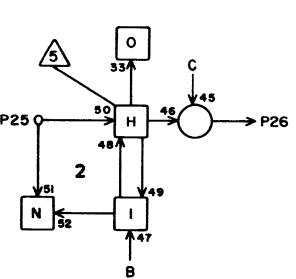
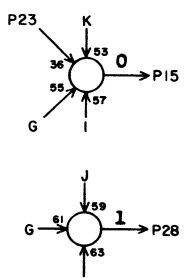
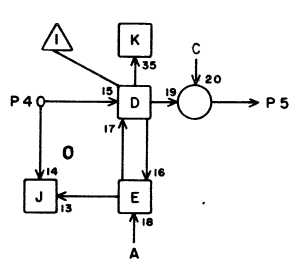


CK 5G15

1	L34	9	29
2	E08	4	13
3	L34	13	29
4			
5	H39	9	25
6			
7	E08	25	13
8	E08	23	13
9	F29	4	17
10	J38	1	120
11	L34	11	29
12			
13	L34	7	29
14			
15	L34	22	29
16			
17	L34	18	29
18			
19	H39	14	25
20			
21	L34	24	29
22			
23	E35	1	23
24	H24	7	13
25	E08	21	15
26	H39	19	25
27			
28	L34	20	29

JACK PIN LG

60150800 Rev. L

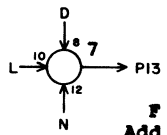
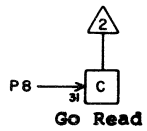
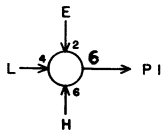
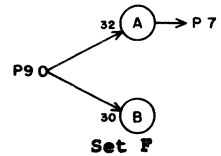
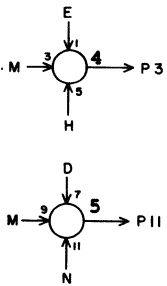
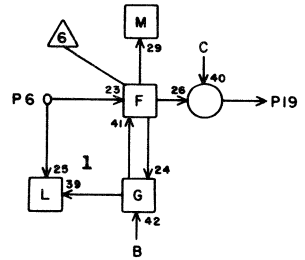
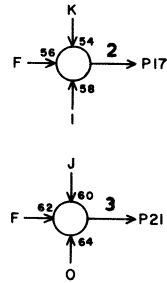
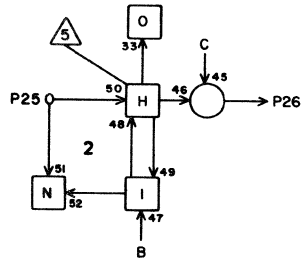
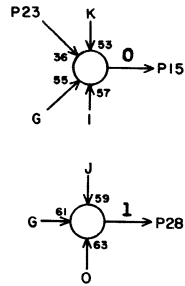
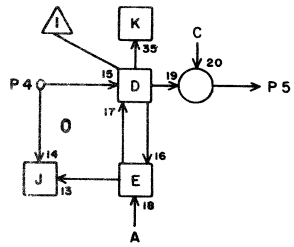


IC 5G16

1	L21	26	25
2			
3	L21	22	25
4	E07	16	15
5	K41	11	31
6	E07	13	15
7	E07	26	15
8	H22	3	11
9	F29	23	17
10			
11	L21	24	25
12			
13	L21	28	25
14			
15	L21	2	25
16			
17	L21	6	25
18			
19	K41	16	29
20			
21	L21	8	25
22			
23			
24			
25	E07	20	15
26	K41	23	39
27			
28	L21	4	25

JACK PIN LG

60150800 Rev. A

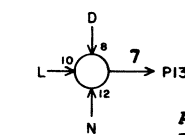
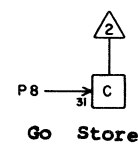
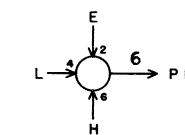
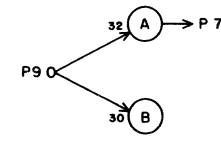
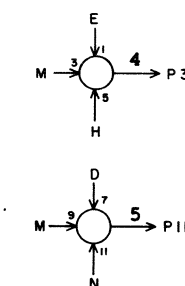
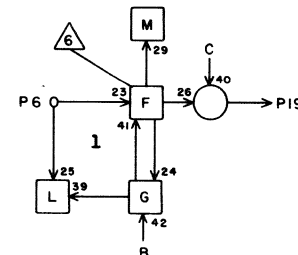
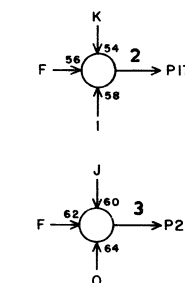
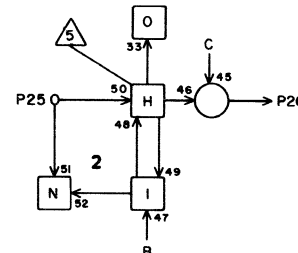
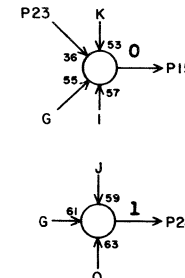
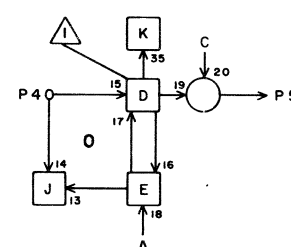


IC **5G17**

1	L22	26	25
2			
3	L22	22	25
4	E04	4	17
5	K42	13	31
6	E04	23	17
7	E04	25	17
8	H22	7	11
9	F29	25	15
10			
11	L22	24	23
12			
13	L22	28	23
14			
15	L22	2	23
16			
17	L22	6	23
18			
19	K42	18	31
20			
21	L22	8	23
22			
23			
24			
25	E04	21	19
26	K42	23	31
27			
28	L22	4	23

JACK PIN LG

60150800 Rev. A



IC **5G18**

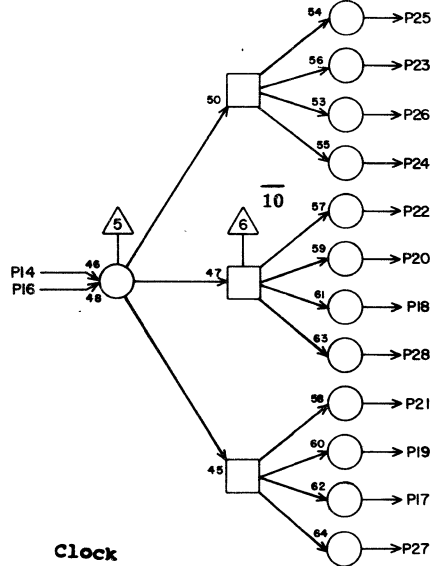
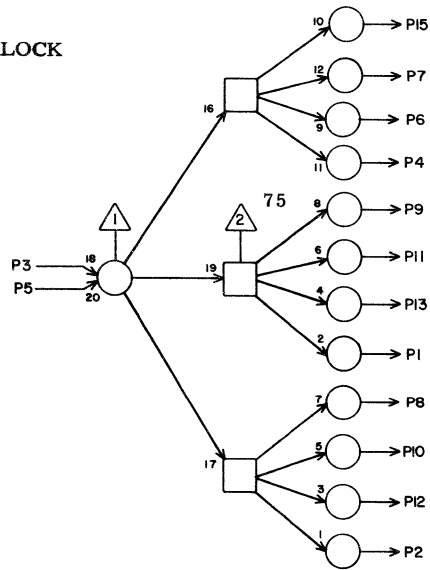
1	L35	9	27
2			
3	L35	13	27
4	E08	12	15
5	H39	15	23
6	E08	18	15
7	E08	27	15
8	J36	22	23
9	F29	26	15
10			
11	L35	11	27
12			
13	L35	7	27
14			
15	L35	18	27
16			
17	L35	22	27
18			
19	H39	18	23
20			
21	L35	24	27
22			
23			
24			
25	E08	19	17
26	H39	25	23
27			
28	L35	20	27

JACK PIN LG

60150800 Rev. A

5G18

CLOCK



Clock

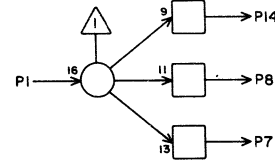
TC **5G19**

1	J24	9	15
2	K23	9	19
3	I22	26	84
4	L24	9	23
5			
6	L23	9	23
7	K25	9	19
8	J25	9	15
9	L25	9	23
10	K21	9	19
11	J22	9	15
12	K22	9	19
13	J23	9	15
14	E29	24	15
15	K24	9	19
16			
17			
18	F30	13	15
19			
20	F29	13	15
21	K08	17	23
22	F28	13	13
23			
24	F27	13	13
25			
26			
27			
28			

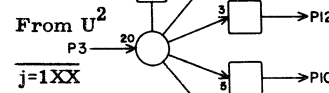
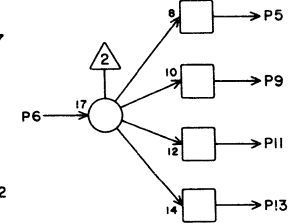
JACK PIN LG

60150800 Rev. B

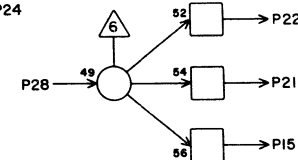
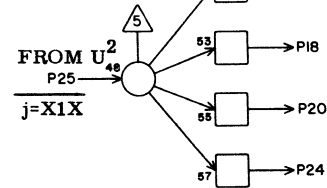
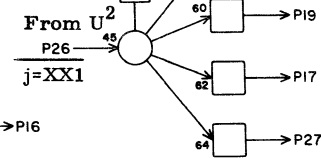
SKIP III



Error Skip



SET F
FAN-OUT



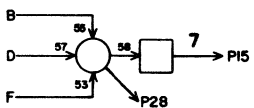
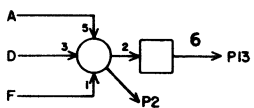
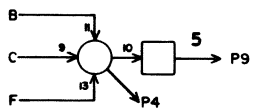
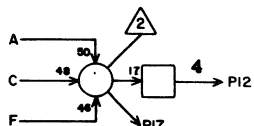
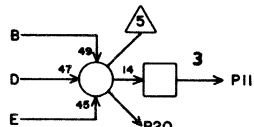
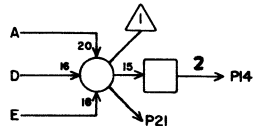
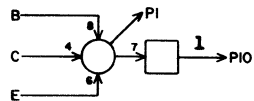
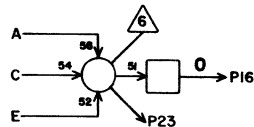
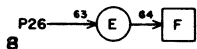
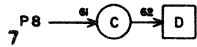
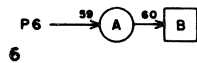
TH **5G20**

1	G30	15	11
2	E02	28	19
3	E13	27	120
4	E05	28	19
5	M21	21	27
6	F22	16	19
7			
8			
9			
10	E07	28	17
11	L16	3	23
12	Q05	17	43
13	Q04	2	43
14	F34	10	17
15	H26	19	11
16	E02	3	21
17	E02	6	21
18	E05	3	19
19	E05	6	19
20	E07	3	17
21	H27	19	11
22			
23	E07	6	17
24	Q05	13	43
25	E13	22	120
26	E13	1	120
27	Q05	16	43
28	F24	17	9

JACK PIN LG

60150800 Rev. H

From $U^2(i)$

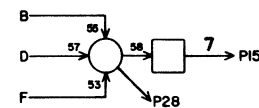
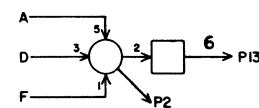
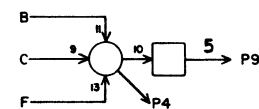
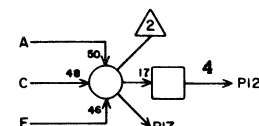
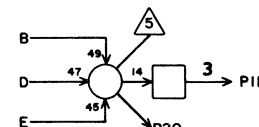
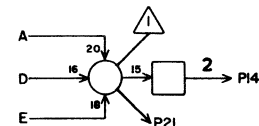
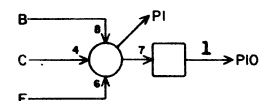
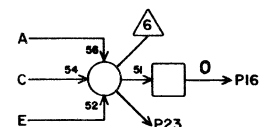
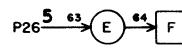
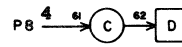
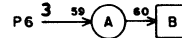


IV 5G21

1	E26	7	13
2	E26	25	13
3			
4	E27	22	13
5			
6	E14	4	60
7			
8	E14	25	60
9			
10			
11			
12			
13	H08	26	17
14			
15	H07	26	19
16			
17	E27	7	15
18			
19			
20	E26	4	13
21	E26	22	13
22			
23	E27	4	15
24			
25			
26	E14	14	60
27			
28	E27	25	15

JACK PIN LG

From $U^2(j)$

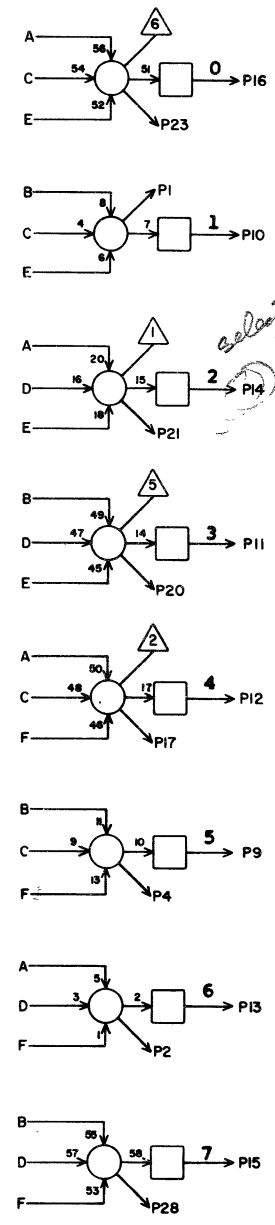
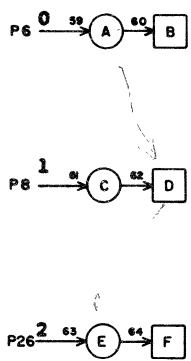


IV 5G22

1	E31	1	15
2	E31	22	13
3			
4	E31	28	15
5			
6	E13	6	13
7			
8	E13	17	15
9	F24	7	7
10	F23	7	7
11	F23	22	5
12	F24	8	7
13	F24	21	7
14	F23	21	5
15	F24	22	7
16	F23	8	7
17	E31	27	15
18			
19			
20	E31	8	15
21	E31	7	15
22			
23	E31	2	15
24			
25			
26	E13	25	15
27			
28	E31	21	17

JACK PIN LG

From $U^2(k)$



select
x2=2

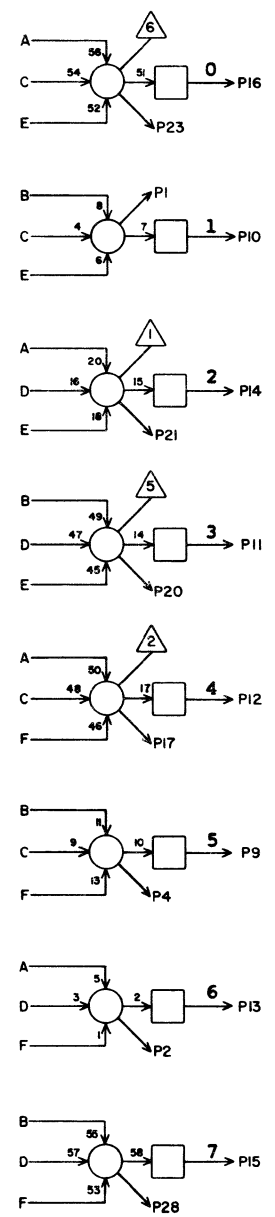
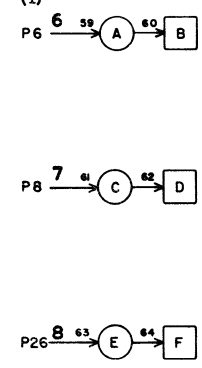
⇒

⇒

⇒

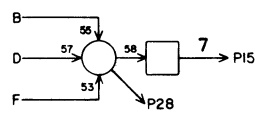
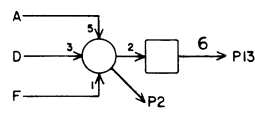
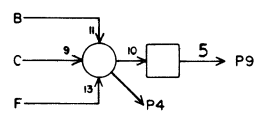
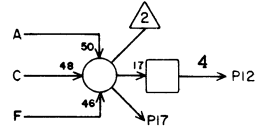
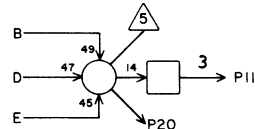
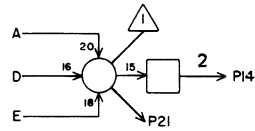
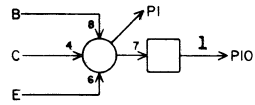
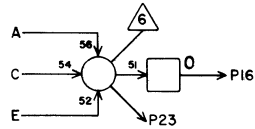
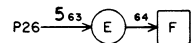
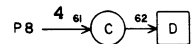
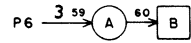
		IV		5G23
1				
2				
3				
4				
5				
6	E12	4	15	
7				
8	E12	9	15	
9	F26	7	7	
10	F25	7	9	
11	F25	22	7	
12	F26	8	7	
13	F26	21	7	
14	F25	21	7	
15	F26	22	7	
16	F25	8	7	
17				
18				
19				
20				
21				
22				
23				
24				
25				
26	E12	12	17	
27				
28				
	JACK	PIN	LG	

From $U^2(i)$



		IV		5G24
1				
2				
3				
4				
5				
6	E14	2	60	
7				
8	E14	27	60	
9	H27	7	7	
10	H26	7	7	
11	H26	22	7	
12	H27	8	7	
13	H27	21	9	
14	H26	21	9	
15	H27	22	7	
16	H26	8	7	
17				
18				
19				
20				
21				
22				
23				
24				
25				
26	E14	18	60	
27				
28				
	JACK	PIN	LG	

From $U^2(j)$

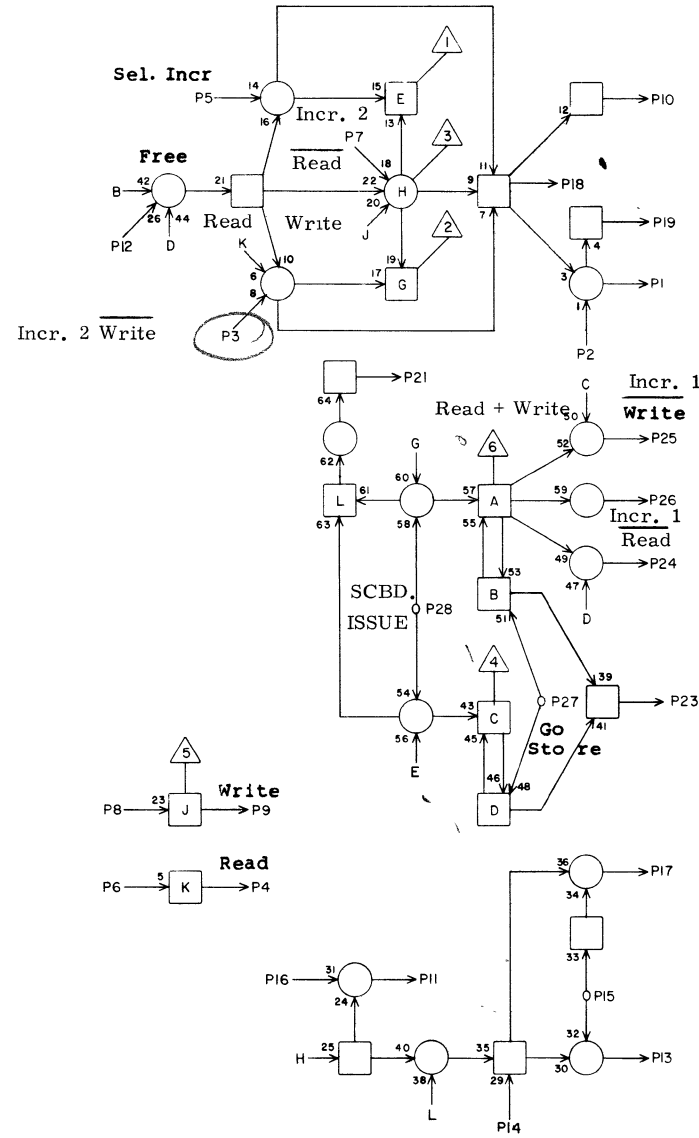


IV 5G25

1			
2			
3			
4			
5			
6	E13	4	60
7			
8	E13	20	60
9	F36	7	15
10	F35	7	15
11	F35	22	13
12	F36	8	15
13	F36	21	15
14	F35	21	15
15	F36	22	15
16	F35	8	15
17			
18			
19			
20			
21			
22			
23			
24			
25			
26	E13	26	60
27			
28			

JACK PIN LG

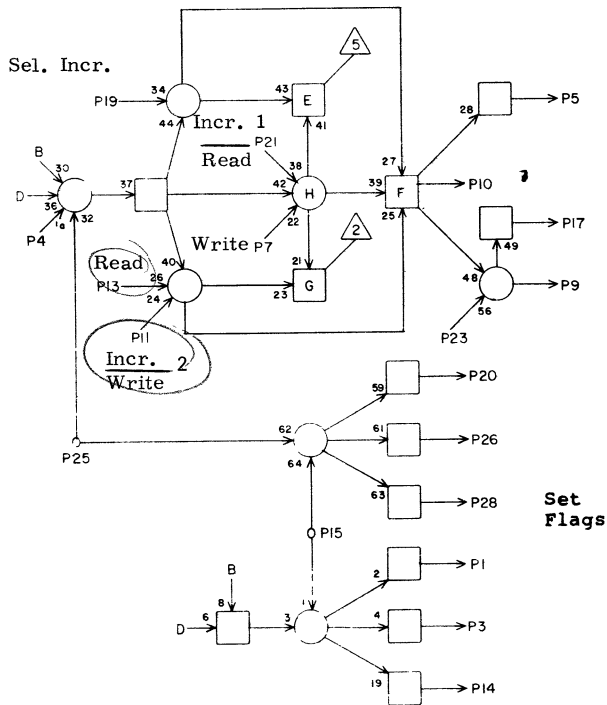
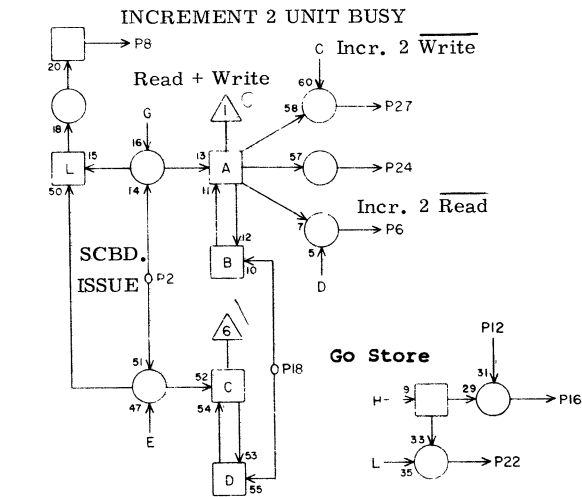
INCREMENT 1 UNIT BUSY



HJ 5G26

1	N16	26	33
2	N08	11	33
3	P21	1	180
4	G27	13	3
5	H36	8	13
6	O19	3	33
7	H32	18	39
8	O19	4	33
9	G27	7	3
10	E32	27	13
11	O12	16	37
12	M33	7	144
13	L02	15	31
14	G27	22	5
15	F33	16	108
16	N08	8	33
17	L01	15	31
18	G33	27	11
19	I19	16	15
20			
21	Q07	25	120
22			
23	G27	25	3
24	Q06	22	45
25	P21	27	37
26	M33	18	27
27	I21	6	13
28	F34	26	11

JACK PIN LG

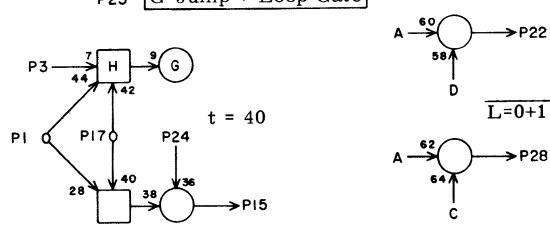
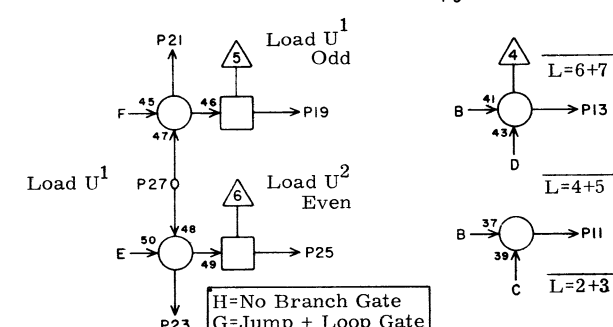
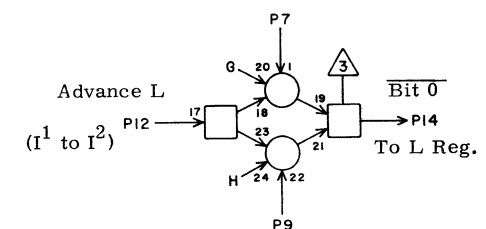
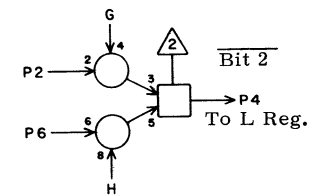
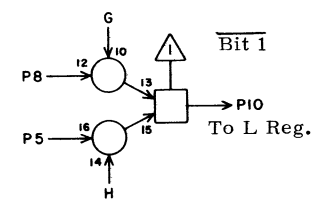
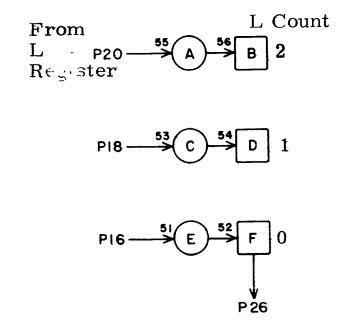


HK		5G27	
1	K03	11	29
2	F34	8	11
3	K04	11	29
4	M33	24	144
5	E32	26	13
6	H32	25	180
7	G26	9	3
8	Q08	5	120
9	E10	26	21
10	G33	25	7
11	P21	28	37
12	N08	13	33
13	G26	4	3
14	K20	13	19
15	F17	24	49
16	O12	15	37
17	I20	16	15
18	I30	24	13
19	H36	10	13
20	K19	13	19
21	Q06	19	45
22	G26	14	5
23	N08	10	37
24	M33	11	27
25	G26	23	3
26	K01	11	29
27	P21	2	39
28	K02	11	29

JACK PIN IG

60150800 Rev. BE

LS 63045800 ASSY REV C

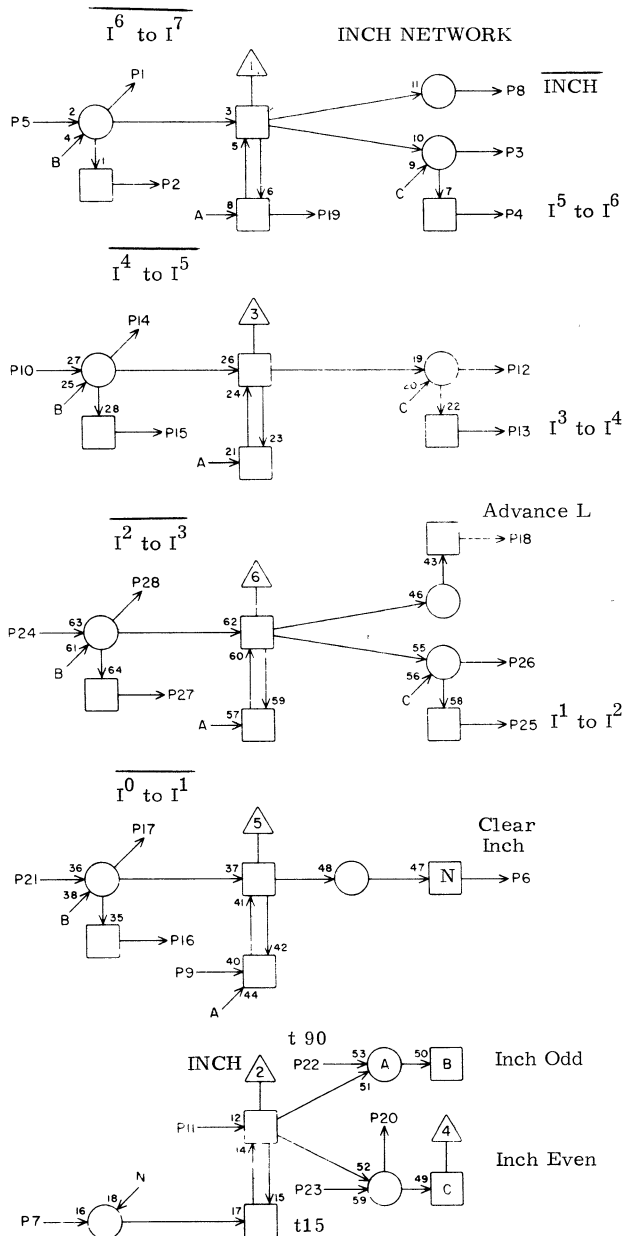


HM		5G28	
1	P20	6	37
2	G36	25	11
3	F33	28	45
4	H28	27	9
5	H30	24	9
6	H30	20	9
7	G36	4	11
8	G36	8	13
9	H30	9	9
10	H28	12	9
11	A19	20	27
12	G29	18	3
13	A19	3	27
14	H28	11	7
15	F33	1	11
16	I25	17	13
17	G30	1	7
18	H28	13	7
19	E28	28	13
20	H28	21	7
21	E30	14	13
22	A19	22	27
23	E30	3	13
24	I24	21	108
25	E28	1	13
26			
27	G30	6	7
28	A19	26	27

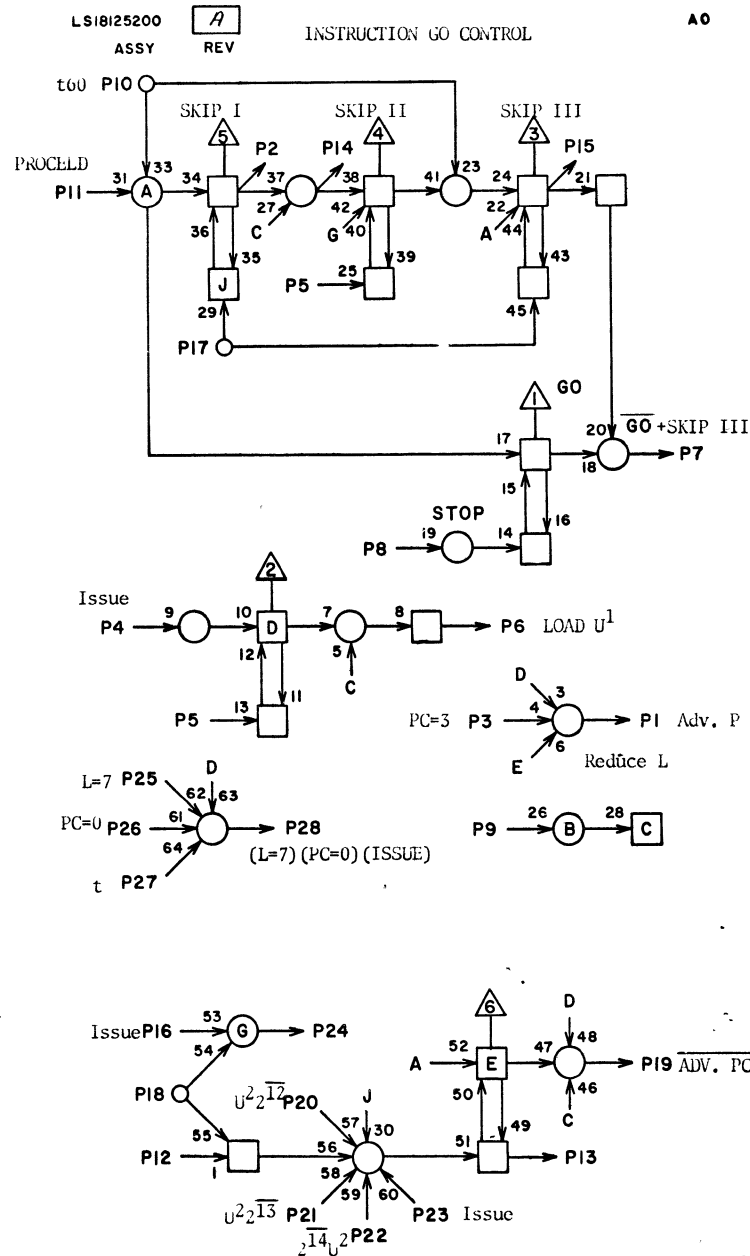
JACK PIN LG

CIRCUIT SPECIFICATION 11827600

60150800 Rev. R



HN		5G29	
JACK	PIN	PIN	LG
1	E17	14	17
2	E15	26	17
3	E17	3	17
4	E15	25	17
5	G32	24	7
6	F37	15	13
7	I25	5	13
8	P37	22	39
9	H18	7	15
10	G32	26	7
11	Q26	5	41
12	E16	3	17
13	E09	18	23
14	E16	14	17
15	E15	2	17
16	E25	2	13
17	E23	14	13
18	G28	12	3
19	P19	9	41
20	G32	20	7
21	G32	1	7
22	I25	16	13
23	H19	26	13
24	G32	3	13
25	E25	25	13
26	E24	3	13
27	E25	26	13
28	E24	14	15

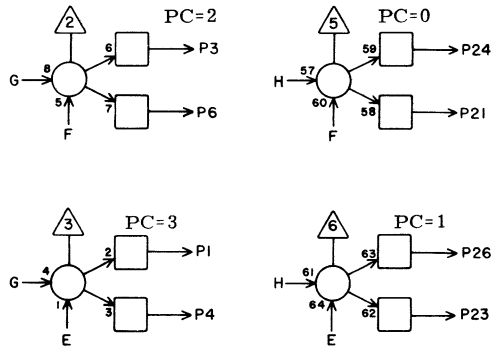
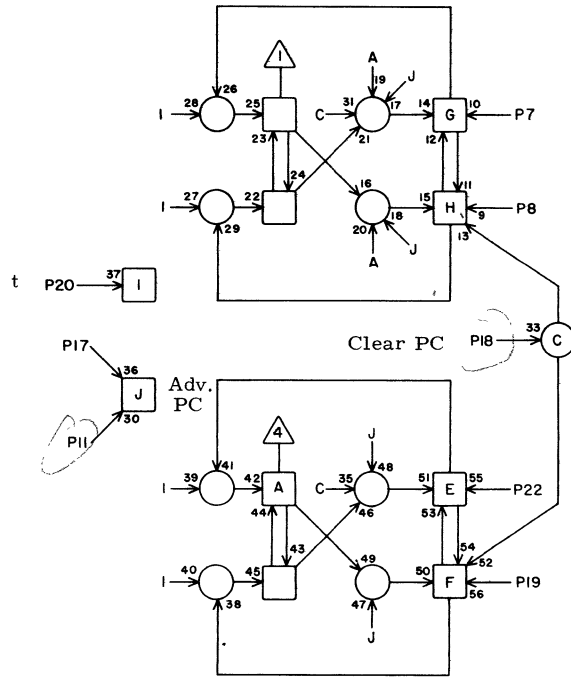


A0		5G30	
JACK	PIN	PIN	LG
1	G28	17	7
2	E09	2	37
3	A22	26	25
4	F34	5	9
5	E29	25	11
6	G28	27	7
7	F34	27	7
8	G36	14	7
9	I24	12	84
10	I24	18	60
11	F37	6	11
12	R13	23	156
13	F21	1	72
14	L05	3	31
15	G20	1	11
16	F34	23	9
17	H17	4	17
18	E35	18	13
19	G31	17	3
20	E20	27	15
21	E21	27	15
22	E22	27	15
23	F34	2	11
24	R13	28	41
25	H30	5	7
26	A22	9	27
27	F17	18	17
28	Q26	2	39

LS 63044600
ASSY

B
REV

PARCEL COUNTER



HA

5G31

1	A20	17	27
2			
3	A20	18	27
4	A22	17	27
5			
6	A22	18	27
7			
8	P20	3	41
9			
10			
11	H24	14	17
12			
13			
14			
15			
16			
17	G30	19	3
18	F33	23	7
19	P20	7	41
20	E29	21	13
21	A22	14	29
22			
23	A22	13	29
24	A20	14	29
25			
26	A20	13	29
27			
28			

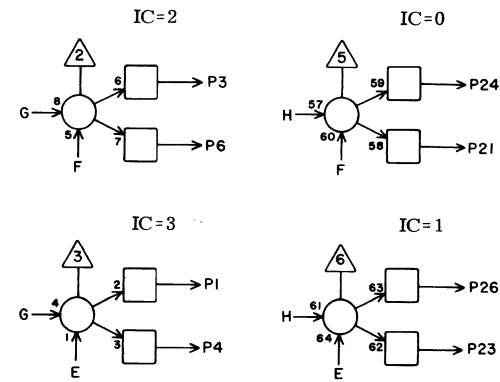
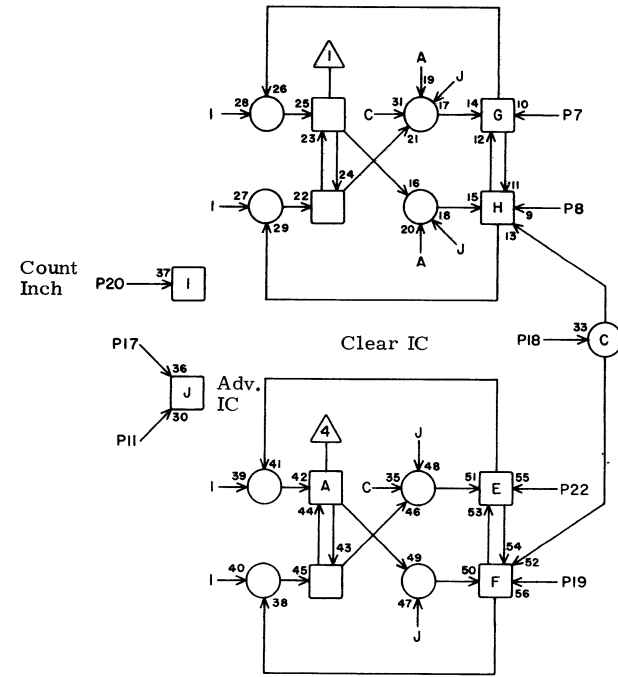
JACK PIN LG
CIRCUIT SPECIFICATION 11827600

60150800 Rev R

LS 63044600
ASSY

B
REV

INCH COUNTER



HA

5G32

1	G29	21	7
2			
3	G29	24	13
4			
5			
6			
7			
8			
9			
10			
11			
12			
13			
14			
15			
16			
17	H17	10	108
18	Q32	17	45
19			
20	G29	20	7
21			
22			
23			
24	G29	5	7
25			
26	G29	10	7
27			
28			

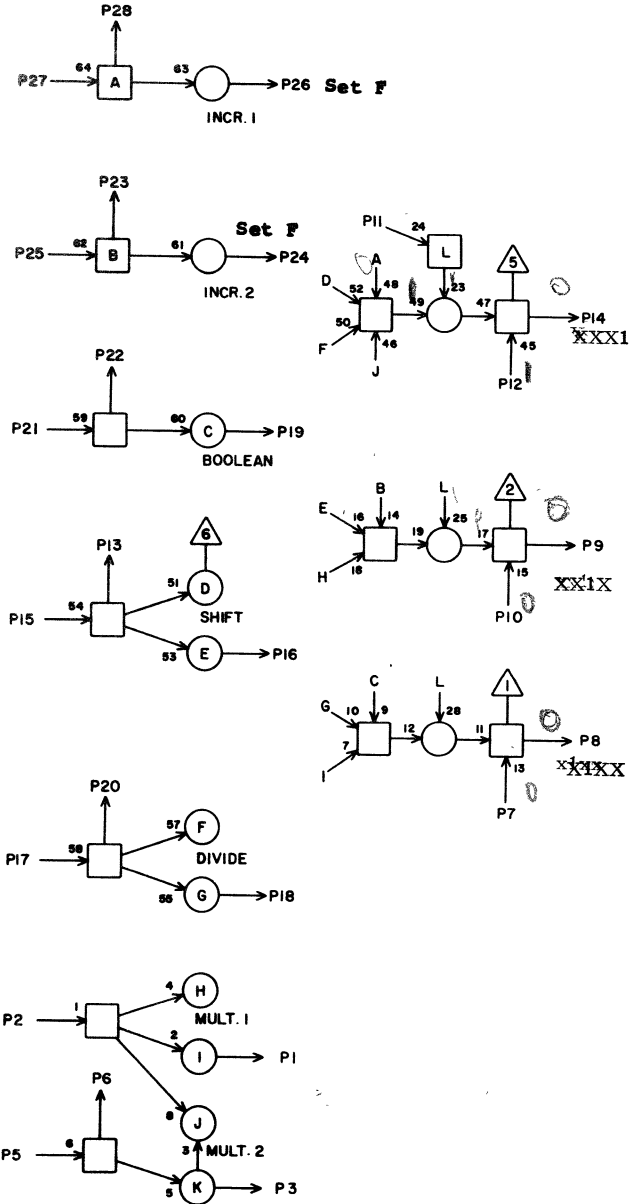
JACK PIN LG
CIRCUIT SPECIFICATION 11827600

60150800 Rev AG

HU **5G33**

1			
2	G37	27	9
3	F28	2	11
4			
5	F28	20	9
6			
7	F33	13	7
8	F40	27	13
9	F40	2	13
10	F33	9	7
11	E15	8	27
12	F33	8	7
13			
14	F40	16	13
15	G37	6	7
16			
17	G37	3	7
18			
19			
20			
21	H36	4	7
22			
23	P10	26	43
24	G38	25	7
25	G27	10	7
26	G38	7	7
27	G26	18	11
28	P10	27	43

JACK PIN LG



IR **5G34**

1	H02	8	31
2	H01	8	31
3	H02	5	31
4	H01	5	31
5	H02	24	31
6	H01	24	31
7	H02	22	31
8	H01	22	33
9	H26	6	13
10	H26	5	13
11			
12			
13	F40	12	55
14	F40	17	55
15	F40	11	55
16	F40	20	55
17			
18			
19	H26	25	13
20	H26	26	13
21	H04	22	31
22	H03	22	31
23	H04	24	31
24	H03	24	31
25	H04	5	31
26	H03	5	31
27	H04	8	31
28	H03	8	31

JACK PIN LG

UNIT #

P16 → A

XXX1

P14 → B

XX1X

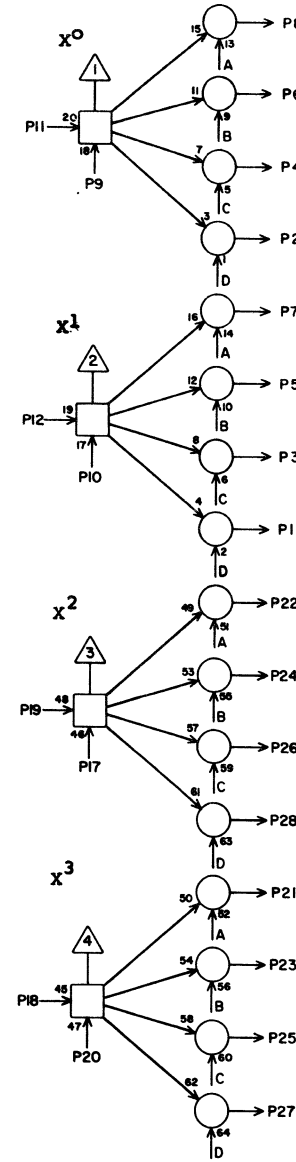
P15 → C

X1XX

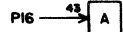
P13 → D

1XXX

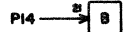
Set X Design



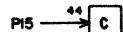
UNIT #



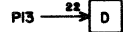
XXXX



XXXX

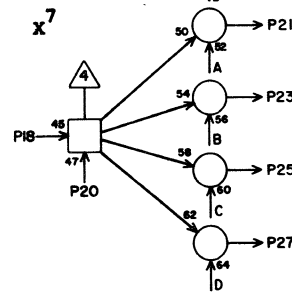
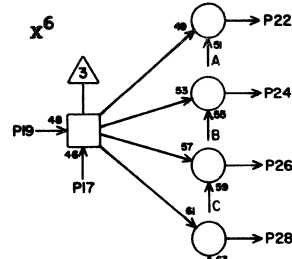
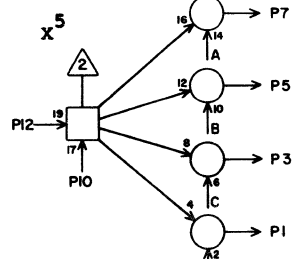
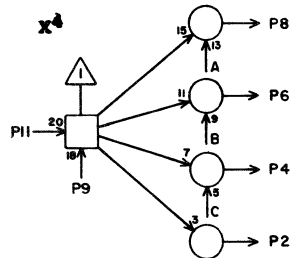


XLXX



1XXX

Set X Desig



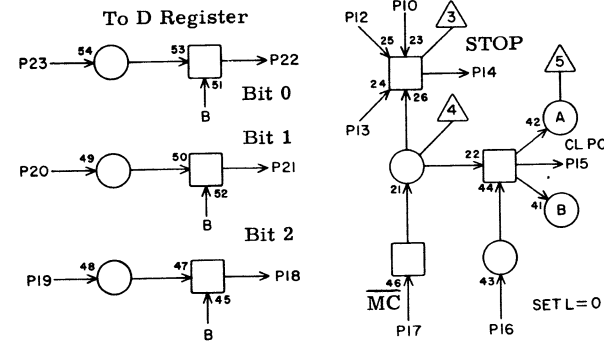
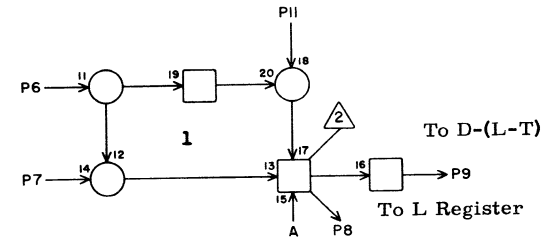
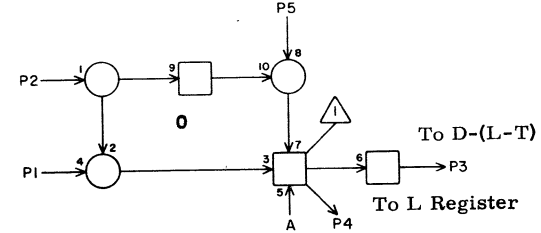
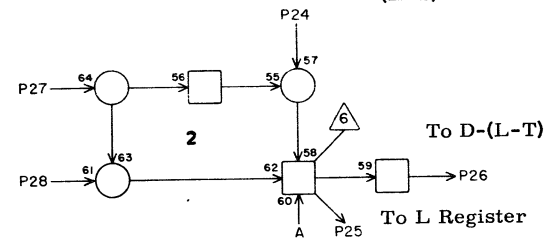
IR 5G35

1	H06	8	29
2	H05	8	31
3	H06	5	29
4	H05	5	31
5	H06	24	29
6	H05	24	31
7	H06	22	29
8	H05	22	31
9	H27	6	13
10	H27	5	13
11			
12			
13	F40	22	7
14	F40	6	9
15	F40	28	7
16	F40	10	9
17			
18			
19	H27	25	13
20	H27	26	13
21	H08	22	27
22	H07	22	27
23	H08	24	27
24	H07	24	27
25	H08	5	27
26	H07	5	27
27	H08	8	27
28	H07	8	27

JACK PIN LG

60150800 Rev. A

(L-T) LOOP



CO 5G36

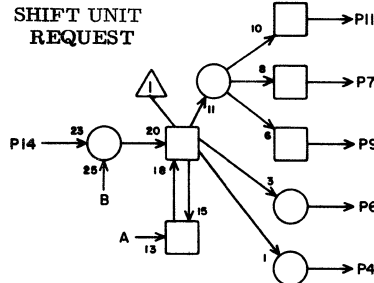
1	H29	18	13
2	H29	6	13
3	H31	15	11
4	G28	7	11
5	H29	26	13
6	H29	8	13
7	H29	1	13
8	G28	8	13
9	H31	16	11
10	F37	10	7
11	H29	2	13
12	H05	18	31
13	H25	5	15
14	G30	8	7
15	F33	22	7
16	R32	26	47
17	N21	28	39
18	H31	27	11
19	H33	17	7
20	H33	19	7
21	H31	12	11
22	H31	11	7
23	H33	6	7
24	H29	28	13
25	G28	2	11
26	H31	26	11
27	H29	4	13
28	H29	12	13

JACK PIN LG

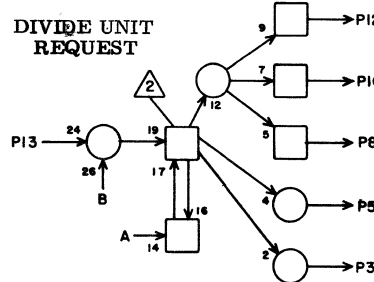
60150800 Rev. N

U²

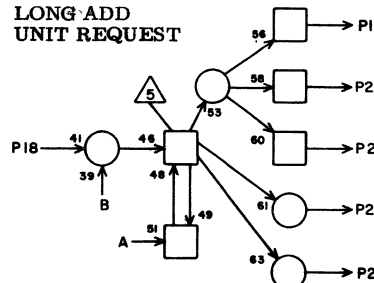
SHIFT UNIT REQUEST



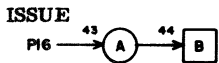
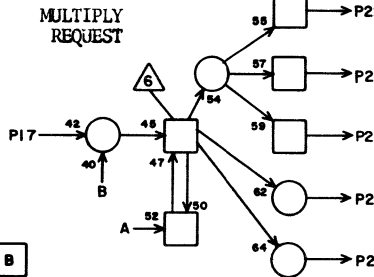
DIVIDE UNIT REQUEST



LONG ADD UNIT REQUEST



MULTIPLY REQUEST



Unit Busy Status

PD **5G37**

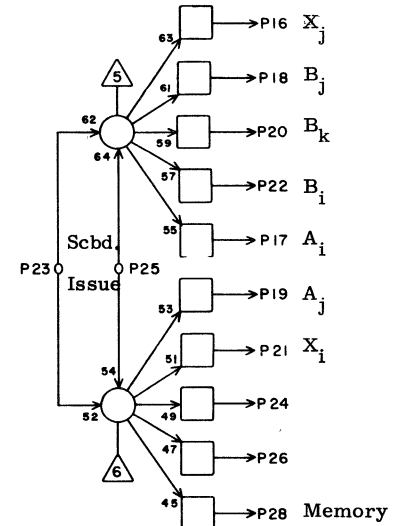
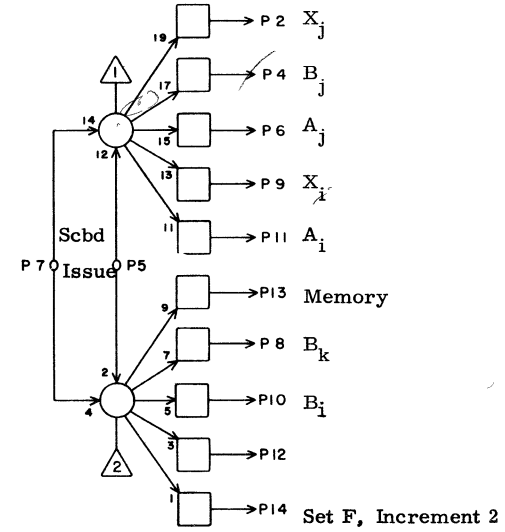
1			
2			
3	G33	17	7
4			
5			
6	G33	15	7
7			
8	L03	11	39
9	L01	11	41
10			
11	F27	27	13
12	F30	27	11
13	C18	10	25
14	C23	21	23
15			
16	E28	11	15
17	F31	28	13
18	F32	16	11
19	F29	2	13
20	L04	11	39
21			
22	L05	11	35
23	F33	12	11
24	F28	27	15
25			
26			
27			
28			

JACK PIN LG

60150800 Rev. E

HC **5G38**

Set F
Increment 1



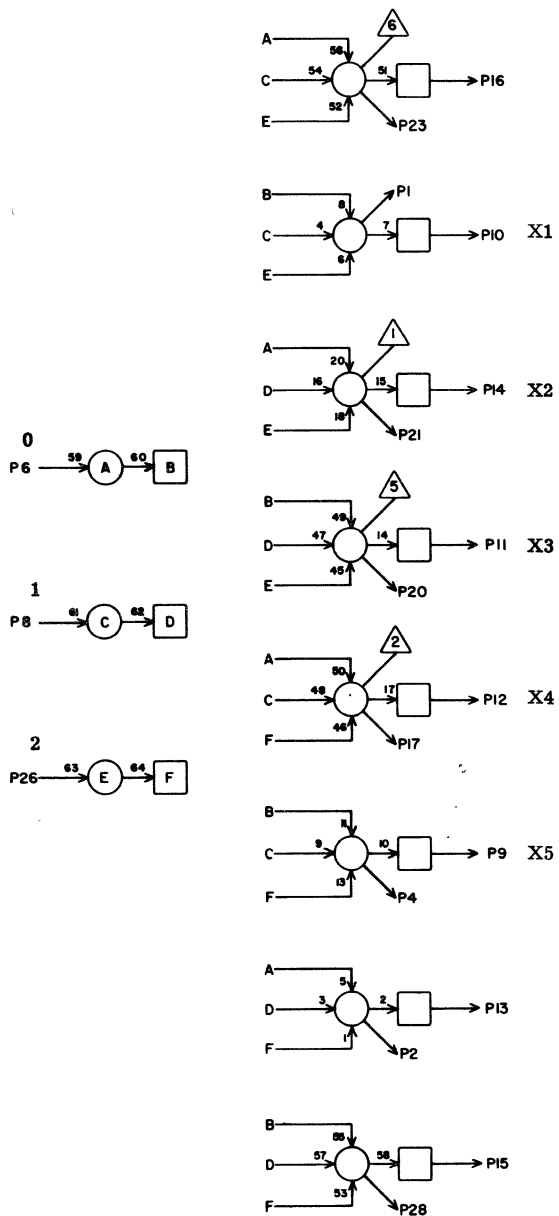
1			
2	F01	9	37
3			
4	F02	9	35
5	E28	2	15
6	F03	9	35
7	G33	26	7
8	F04	9	33
9	F05	9	33
10	F06	9	31
11	F07	9	31
12			
13	F20	9	21
14	Q21	14	49
15			
16	F08	9	31
17	F14	9	25
18	F09	9	27
19	F10	9	29
20	F11	9	29
21	F12	9	27
22	F13	9	27
23	E28	4	17
24			
25	G33	24	7
26	Q21	17	43
27			
28	H20	9	19

JACK PIN LG

5G38

60150800 Rev. B

HOPPER TAG TRANSLATOR



IV 5G39

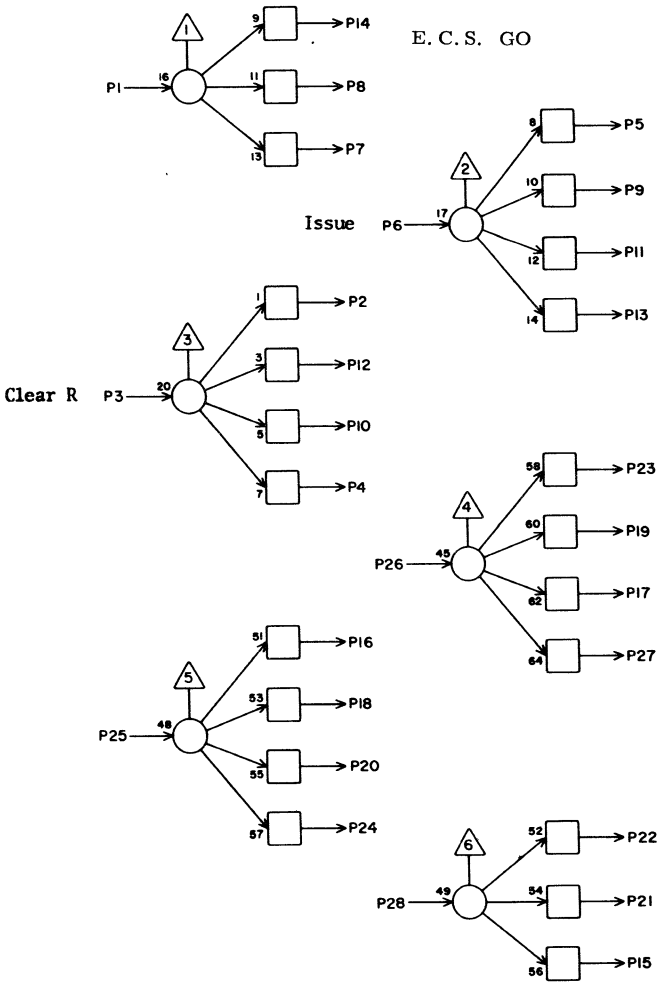
1			
2			
3			
4			
5			
6	P40	3	37
7			
8	P40	12	37
9	H21	20	19
10	H21	9	19
11	H21	13	19
12	H21	18	19
13			
14	H21	11	19
15			
16			
17			
18			
19			
20			
21			
22			
23			
24			
25			
26	P40	7	35
27			
28			

JACK PIN LG

60150800 Rev. B

LS 63064000 ASSY C REV

TH 5G40



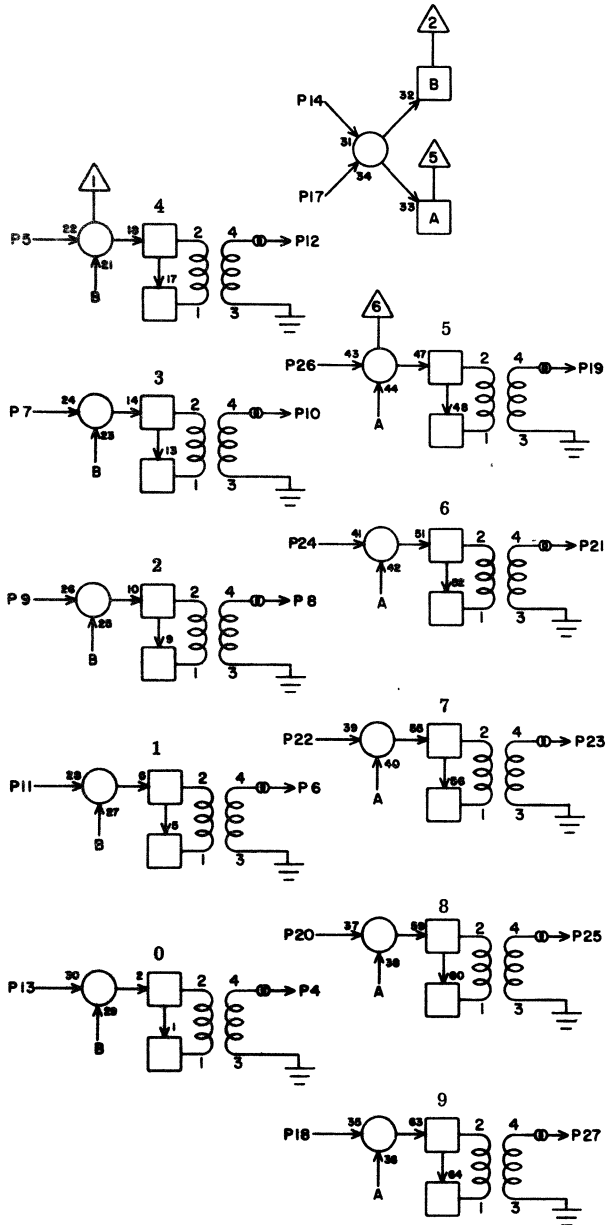
1	O36	12	132
2			
3	O32	9	33
4	D18	24	25
5	D17	24	24
6	E28	23	60
7	Q19	9	47
8	M11	5	33
9	D16	24	27
10	M28	13	29
11	M29	13	29
12	M30	13	27
13	M29	17	27
14	O37	3	132
15	R39	27	43
16	N07	3	43
17	F31	15	15
18	Q13	16	53
19	F22	5	21
20			
21	N10	24	49
22			
23			
24			
25	M11	11	43
26	C18	26	35
27			
28	F21	28	25

JACK PIN LG

CIRCUIT SPECIFICATION 11827600

60150800 Rev. AF

P REGISTER TO PPU

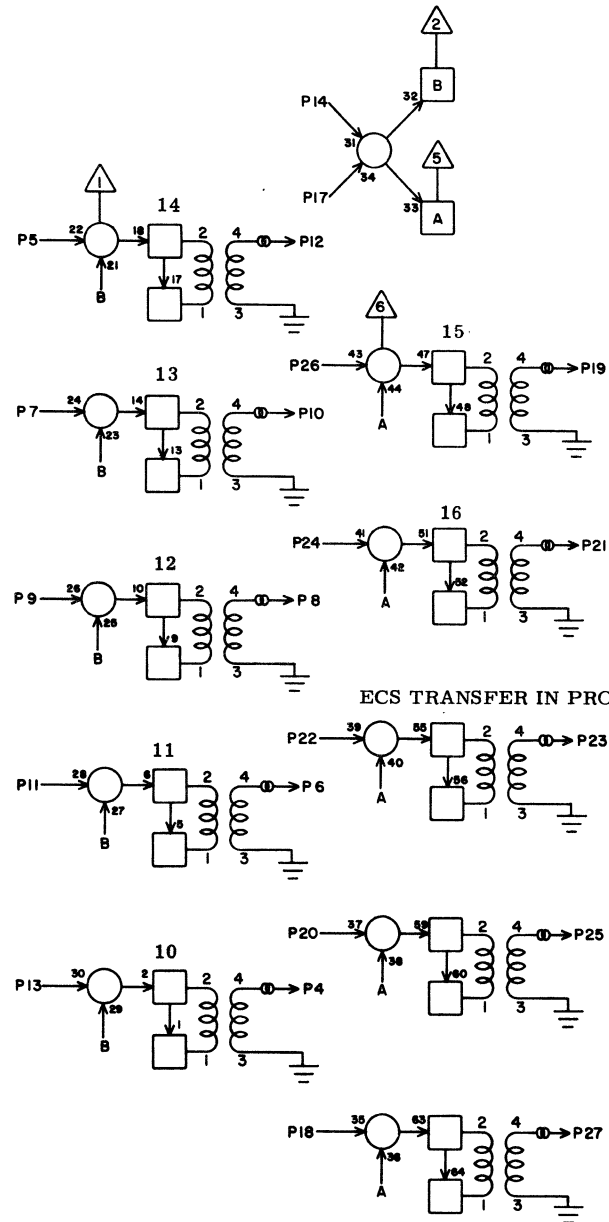


JQ **5G41**

1			
2			
3			
4	W09	90	
5	N33	28	31
6	W09	91	
7	N32	2	29
8	W09	92	
9	N32	28	29
10	W09	93	
11	N31	2	31
12	W09	94	
13	N31	28	31
14	N09	4	156
15			
16			
17			
18	N35	2	29
19	W09	95	
20	N35	28	29
21	W09	96	
22	N34	2	29
23	W09	97	
24	N34	28	29
25	W09	98	
26	N32	4	29
27	W09	99	
28			

JACK PIN LG

P REGISTER TO PPU

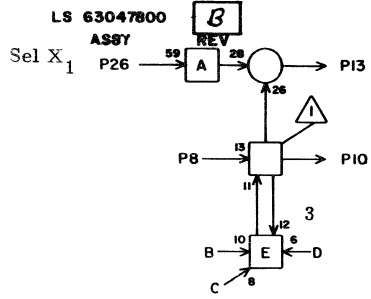


ECS TRANSFER IN PROGRESS

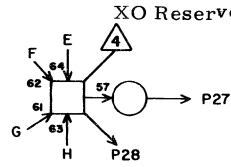
JQ **5G42**

1			
2			
3			
4	W09	900	
5	N38	28	31
6	W09	901	
7	N37	2	31
8	W09	902	
9	N37	28	31
10	W09	903	
11	N36	2	31
12	W09	904	
13	N36	28	31
14	N09	6	156
15			
16			
17			
18	W09	905	
19	W09	905	
20			
21	W09	906	
22	E10	16	29
23	W09	907	
24	N39	28	29
25			
26	N38	2	31
27			
28			

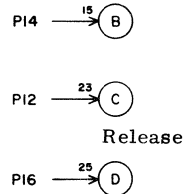
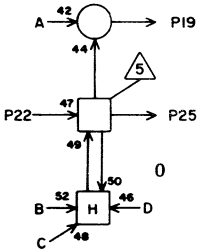
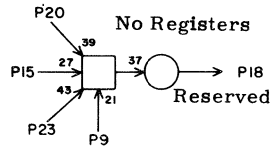
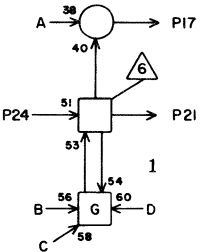
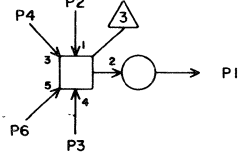
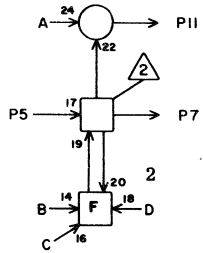
JACK PIN LG



XO DESIGNATOR



X0+X1+X2+X3
Reserved



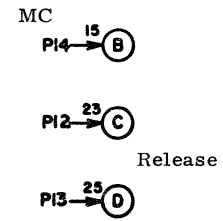
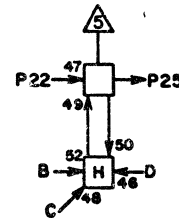
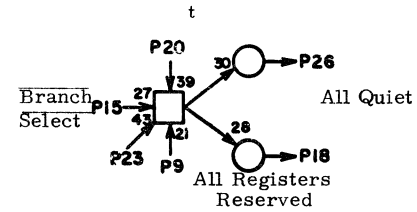
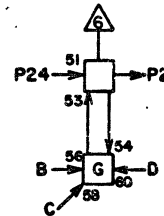
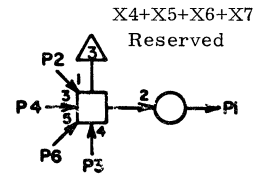
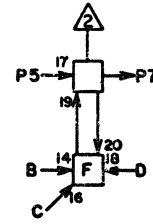
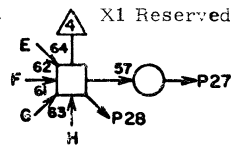
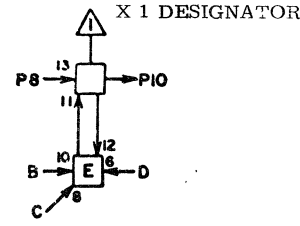
IG

H01

1	H01	9	3
2	H01	27	15
3	H02	27	5
4	H03	27	5
5	G34	4	31
6	H04	27	7
7	H13	3	15
8	G34	2	31
9	H01	1	3
10	H13	5	15
11			
12	J27	11	27
13			
14	N30	26	37
15	H02	1	3
16	J26	11	27
17			
18	H02	9	3
19			
20	H03	1	5
21	H13	2	15
22	G34	8	33
23	H04	1	5
24	G34	6	31
25	H13	1	15
26			
27	H01	2	15
28	E27	3	27

JACK PIN LG
CIRCUIT SPECIFICATION 11827600
60150800 Rev B

LS 18057900
ASSY
REV



AN

H02

1	H01	15	3
2	H05	27	7
3	H06	27	7
4	H07	27	7
5	G34	3	31
6	H08	27	7
7	H13	25	15
8	G34	1	31
9	H01	18	3
10	H13	23	15
11	N23	15	49
12	J29	11	29
13	N28	2	35
14	N30	24	35
15	Q26	8	13
16	J28	11	27
17			
18	F26	10	27
19	N07	28	57
20	N09	9	84
21	H13	28	15
22	G34	7	31
23	L25	22	37
24	G34	5	31
25	H13	27	15
26	F21	3	23
27	H01	3	5
28	E26	8	27

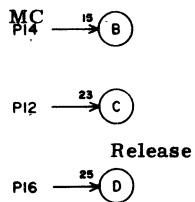
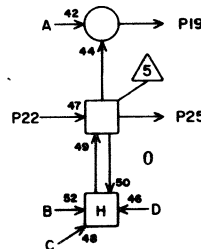
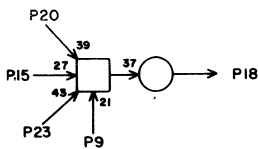
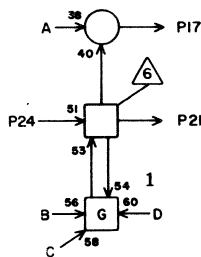
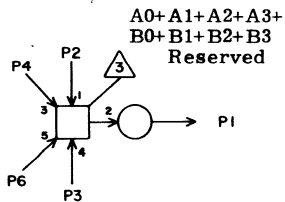
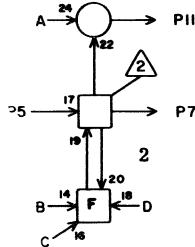
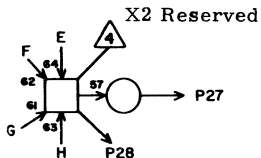
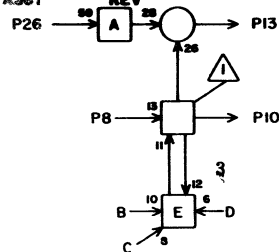
JACK PIN LG
SEE CIRCUIT SPECIFICATION
11827600
60150800 Rev. AZ

B
REV

X2 DESIGNATOR

IG

5H03



JACK	PIN	IG
1	H01	20 5
2	H09	10 7
3	H10	10 11
4	H11	10 13
5	G34	26 31
6	H12	10 13
7	H14	3 15
8	G34	28 31
9		
10	H14	5 15
11	R27	15 49
12	J31	11 29
13		
14	N30	22 35
15	R27	25 49
16	J30	11 29
17		
18	K38	9 35
19		
20	Q20	20 39
21	H14	2 15
22	G34	22 31
23	O38	1 41
24	G34	24 31
25	H14	1 15
26		
27	H01	4 5
28	E26	21 27

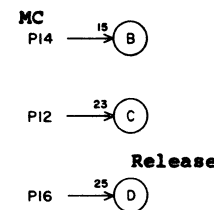
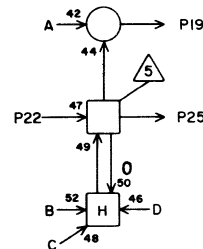
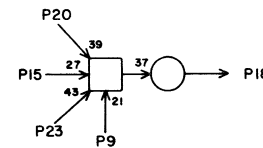
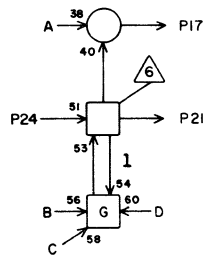
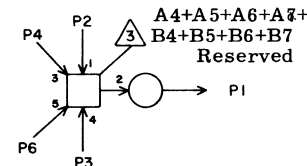
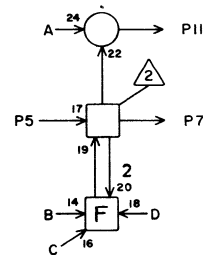
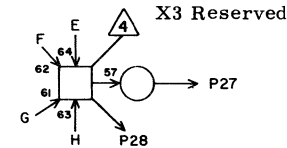
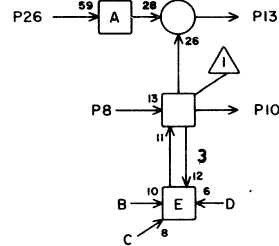
CIRCUIT SPECIFICATION 11827600

60150800 Rev Z

X 3 DESIGNATOR

IG

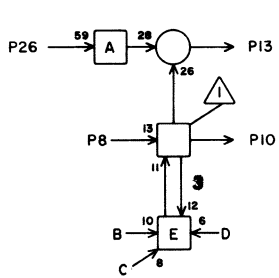
5H04



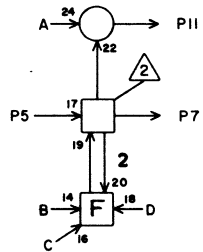
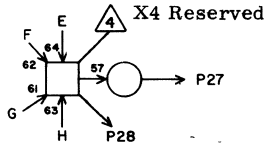
JACK	PIN	IG
1	H01	23 5
2	N11	10 27
3	N12	10 27
4	N13	10 27
5	G34	25 31
6	N14	10 27
7	H14	25 15
8	G34	27 31
9	Q05	1 35
10	H14	23 13
11		
12	J33	11 31
13		
14	N30	20 35
15	F17	20 17
16	J32	11 31
17		
18	F38	7 35
19		
20		
21	H14	28 13
22	G34	21 31
23		
24	G34	23 31
25	H14	27 13
26		
27	H01	6 7
28	E26	3 27

JACK PIN IG

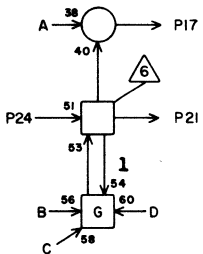
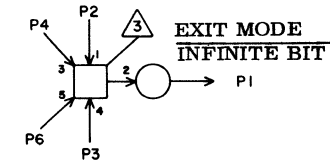
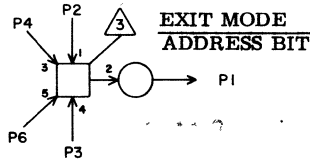
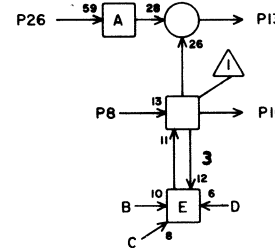
60150800 Rev. B



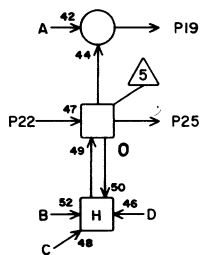
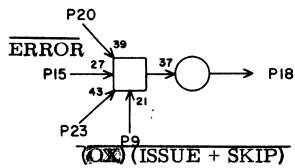
X4 DESIGNATOR



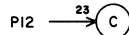
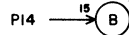
X5 DESIGNATOR



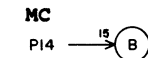
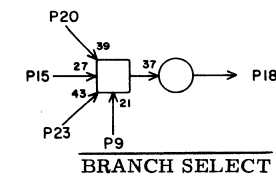
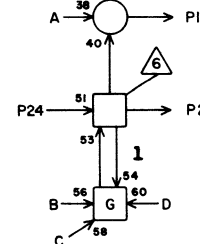
START EXCH.



MC



Release



Release

IG 5H05

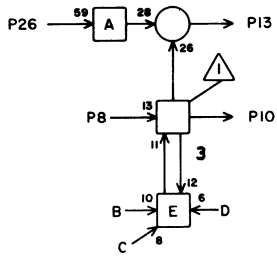
1	M 39	27	37
2	O11	19	31
3			
4	P35	11	41
5	G35	4	31
6			
7	H15	3	13
8	G35	2	31
9	K36	8	33
10	H15	5	11
11			
12	K27	11	27
13			
14	N30	18	35
15	M23	17	27
16	K26	11	27
17			
18	G36	12	31
19			
20	R39	14	41
21	H15	2	13
22	G35	8	31
23	Q18	4	39
24	G35	6	31
25	H15	1	13
26			
27	H02	2	7
28	E27	8	27

JACK PIN LG

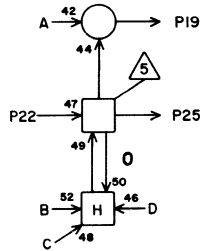
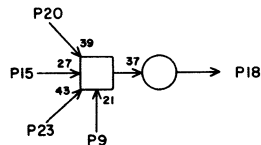
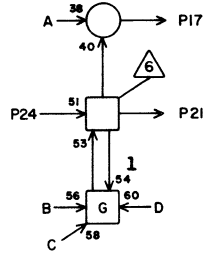
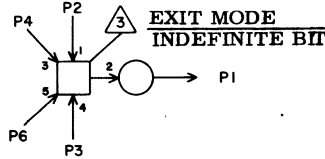
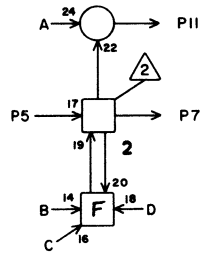
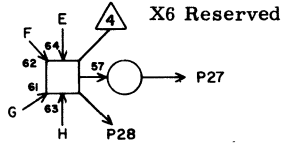
IG 5H06

1	M39	13	39
2	O11	17	31
3			
4	P35	8	43
5	G35	3	29
6			
7	H15	25	13
8	G35	1	29
9	P21	9	31
10	H15	23	13
11			
12	K29	11	27
13			
14	N30	28	35
15	L06	17	19
16	K28	11	27
17			
18	P10	15	33
19			
20			
21	H15	28	13
22	G35	7	29
23			
24	G35	5	29
25	H15	27	13
26			
27	H02	3	7
28	E27	21	27

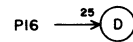
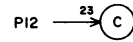
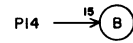
JACK PIN LG



X6 DESIGNATOR



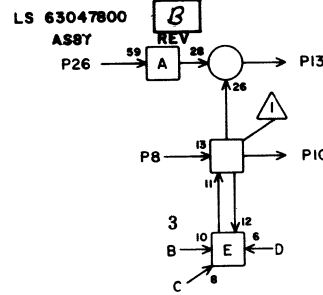
MC



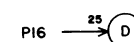
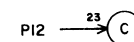
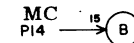
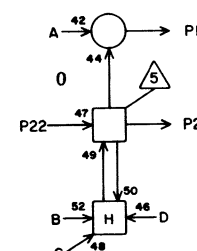
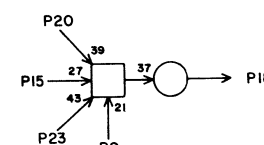
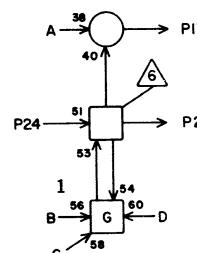
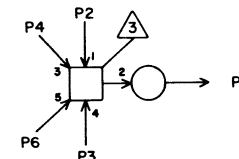
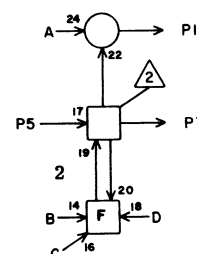
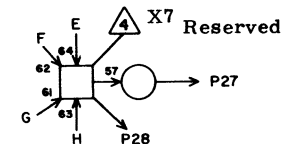
Release

		SH07	
	IG		
1	M39	2	39
2	O11	13	31
3			
4	P35	21	43
5	G35	26	27
6			
7	H16	3	13
8	G35	28	27
9	R30	3	45
10	H16	5	13
11	O12	17	31
12	K31	11	27
13	O12	18	31
14	N30	21	33
15	H24	18	19
16	K30	11	27
17	O12	10	31
18	H21	21	17
19	O12	9	31
20			
21	H16	2	13
22	G35	22	27
23			
24	G35	24	27
25	H16	1	13
26	G21	15	19
27	H02	4	7
28	E26	26	23
	JACK	PIN	IG

60150800 Rev. B



X7 DESIGNATOR

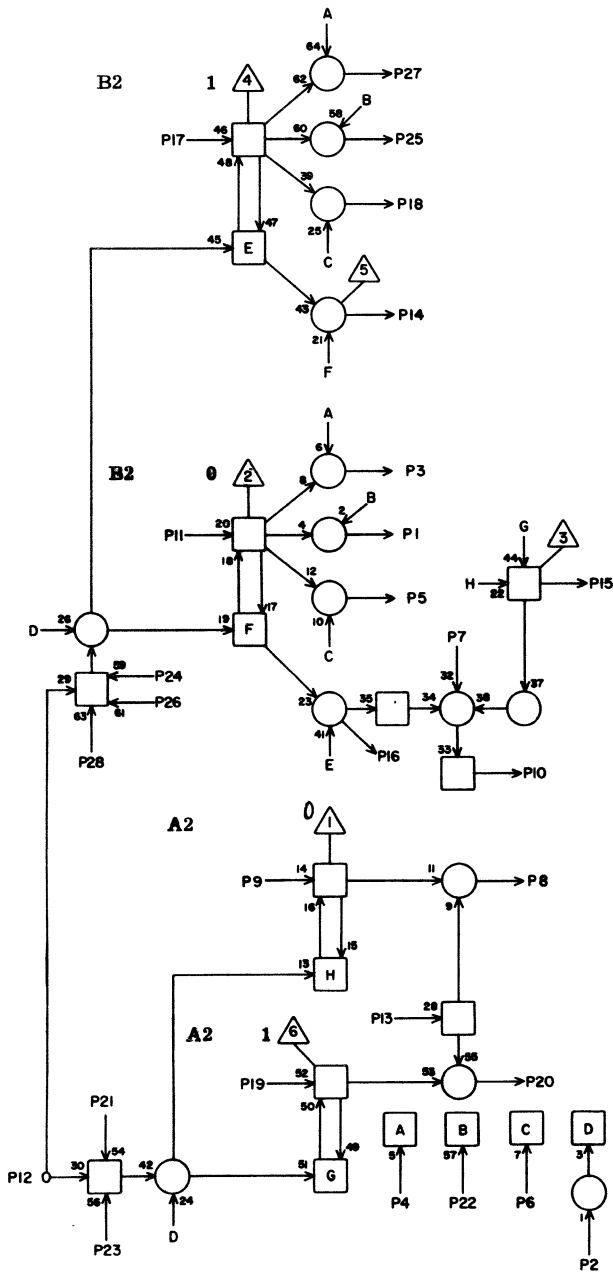


Release

		5H08	
	IG		
1	O13	12	33
2	E09	26	180
3			
4	N08	6	27
5	G35	25	27
6			
7	H16	25	11
8	G35	27	27
9	P36	22	41
10	H16	23	11
11	O12	19	31
12	K33	11	29
13	O12	20	31
14	N30	19	33
15	O13	20	31
16	K32	11	27
17	O12	12	31
18	Q25	25	41
19	O12	11	31
20			
21	H16	28	11
22	G35	21	27
23			
24	G35	23	27
25	H16	27	11
26	G21	13	17
27	H02	6	7
28	E27	26	23
	JACK	PIN	IG

CIRCUIT SPECIFICATION 11827600
60150800 Rev Z

B2/A2 DESIGNATORS

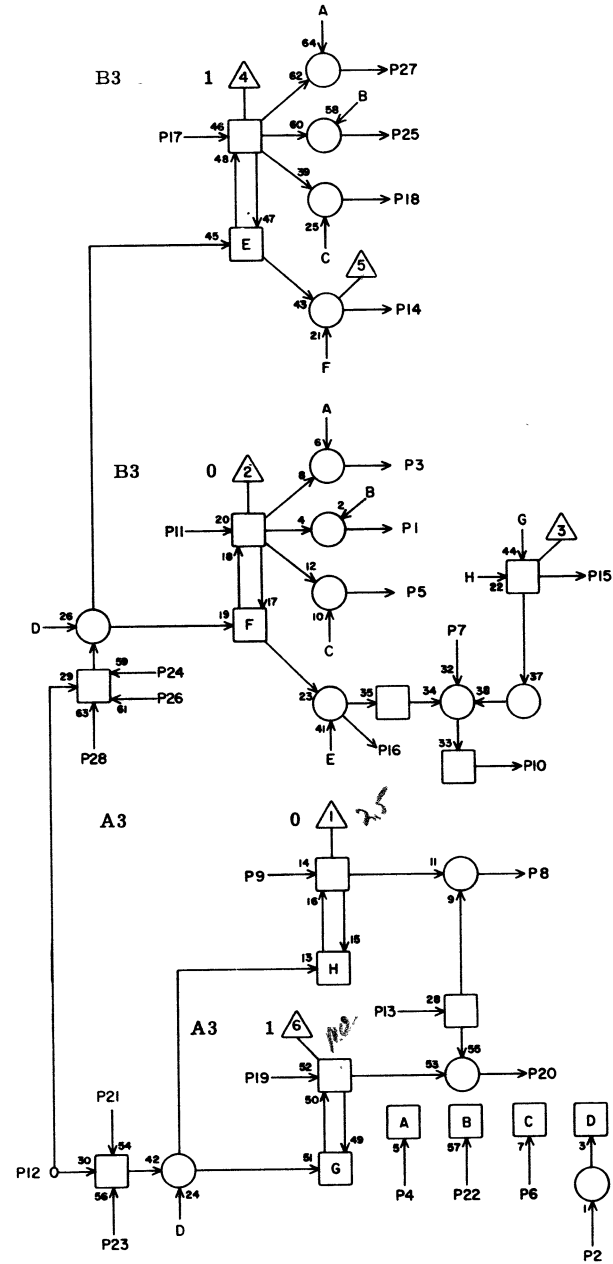


II 5H11

1	K10	19	17
2	GRD	X	2
3			
4			
5	K14	21	17
6	F25	27	17
7			
8	I01	22	15
9	J37	27	25
10	H03	4	13
11	H34	22	23
12	H17	26	7
13	F23	23	17
14	E26	23	21
15	E26	17	23
16	E31	6	25
17	H34	24	23
18	K16	21	17
19	J37	25	27
20	I03	22	13
21	I29	3	19
22	F23	27	17
23	E33	3	23
24	I28	13	19
25	K12	21	17
26	I32	13	23
27			
28	L29	26	27

60150800 Rev. B

B3/A3 DESIGNATORS



II 5H12

1	K10	17	17
2	GRD	X	2
3			
4			
5	K14	23	17
6	F25	28	17
7			
8	I01	24	15
9	J37	23	27
10	H03	6	13
11	H34	21	23
12	H17	24	7
13	F23	24	15
14	E26	5	21
15	E26	11	21
16	E31	5	25
17	H34	23	23
18	K16	23	17
19	J37	21	27
20	I03	24	13
21	I29	1	19
22	F23	28	17
23	I33	1	23
24	I28	11	19
25	K12	23	17
26	I32	11	23
27			
28	L29	28	27

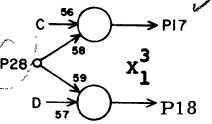
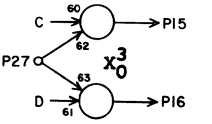
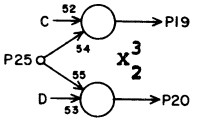
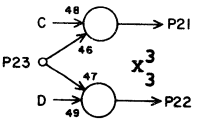
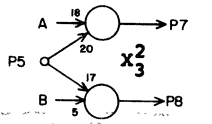
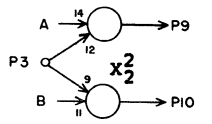
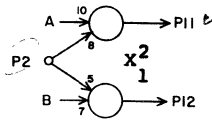
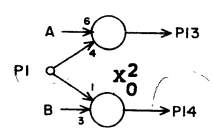
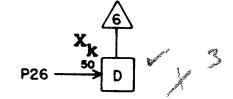
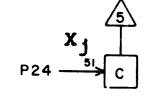
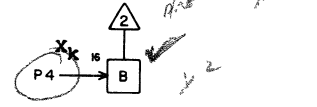
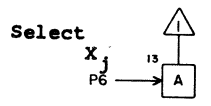
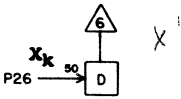
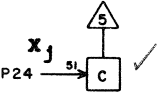
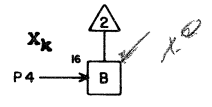
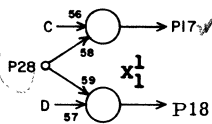
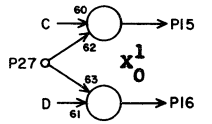
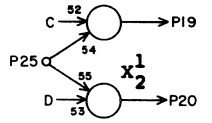
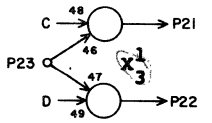
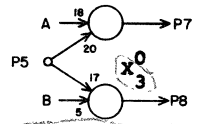
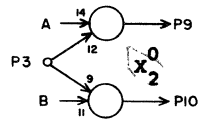
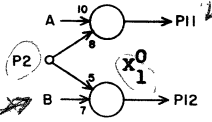
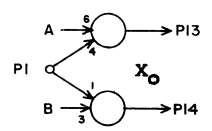
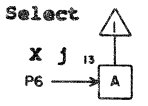
JACK PIN LG

60150800 Rev. B

select

*Q. mult 1 = 6
mult 2 = 7*

*06
07*

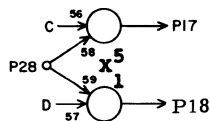
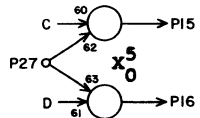
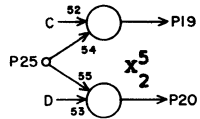
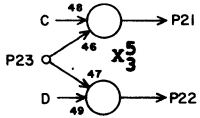
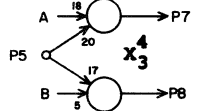
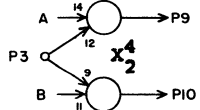
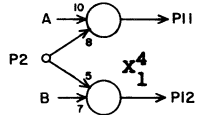
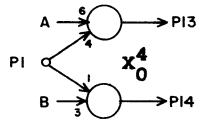
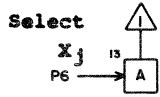


IH		5H13	
1	H01	25	15
2	H01	21	15
3	H01	7	15
4	F25	6	17
5	H01	10	15
6	F23	6	15
7	I11	18	9
8	I11	21	7
9	I09	18	11
10	I09	21	11
11	I07	18	11
12	I07	21	11
13	I05	18	13
14	K05	17	17
15	I05	20	13
16	K05	19	17
17	I07	20	11
18	I07	23	11
19	I09	20	9
20	I09	23	9
21	I11	20	9
22	I11	23	7
23	H02	10	15
24	F23	5	17
25	H02	7	15
26	F25	5	17
27	H02	25	15
28	H02	21	15

JACK PIN LG

IH		5H14	
1	H03	25	15
2	H03	21	15
3	H03	7	15
4	F25	25	15
5	H03	10	15
6	F23	25	15
7	I11	22	7
8	I11	25	7
9	I09	22	9
10	I09	25	9
11	I07	22	11
12	I07	25	11
13	I05	22	13
14	K05	21	19
15	I05	24	13
16	K05	23	19
17	I07	24	11
18	I07	27	11
19	I09	24	9
20	I09	27	9
21	I11	24	9
22	I11	27	9
23	H04	10	13
24	F23	26	15
25	H04	7	15
26	F25	26	17
27	H04	25	13
28	H04	21	13

JACK PIN LG



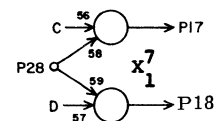
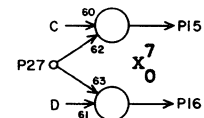
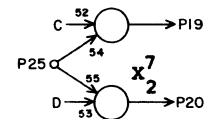
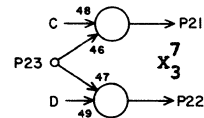
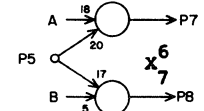
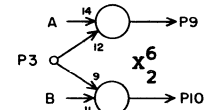
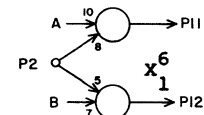
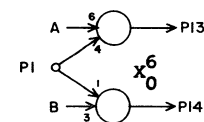
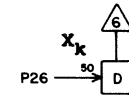
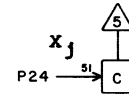
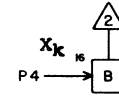
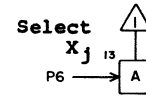
IH

5H15

1	H05	25	13
2	H05	21	13
3	H05	7	13
4	F26	6	17
5	H05	10	11
6	F24	6	15
7	I12	18	9
8	I12	21	9
9	I10	18	11
10	I10	21	11
11	I08	18	13
12	I08	21	13
13	I06	18	13
14	K06	17	19
15	I06	20	13
16	K06	19	19
17	I08	20	13
18	I08	23	13
19	I10	20	11
20	I10	23	11
21	I12	20	9
22	I12	23	9
23	H06	10	13
24	F24	5	17
25	H06	7	13
26	F26	5	17
27	H06	25	13
28	H06	21	13

JACK PIN LG

60150800 Rev. AJ



IH

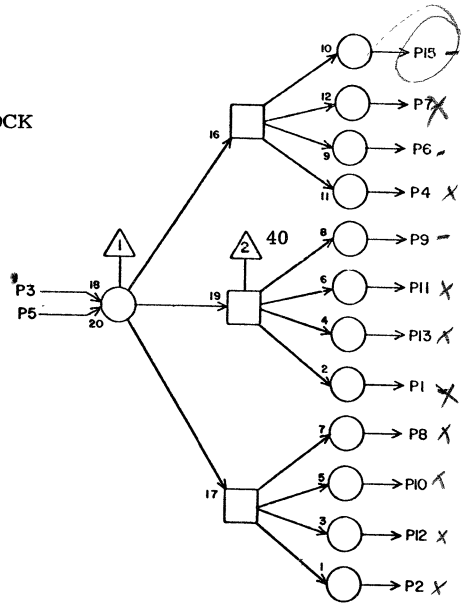
5H16

1	H07	25	13
2	H07	21	13
3	H07	7	13
4	F26	25	15
5	H07	10	13
6	F24	25	13
7	I12	22	11
8	I12	25	11
9	I10	22	11
10	I10	25	11
11	I08	22	13
12	I08	25	13
13	I06	22	15
14	K06	21	19
15	I06	24	15
16	K06	23	19
17	I08	24	13
18	I08	27	13
19	I10	24	11
20	I10	27	11
21	I12	24	11
22	I12	27	9
23	H08	10	11
24	F24	26	15
25	H08	7	11
26	F26	26	15
27	H08	25	11
28	H08	21	11

JACK PIN LG

60150800 Rev. AJ

CLOCK



TC

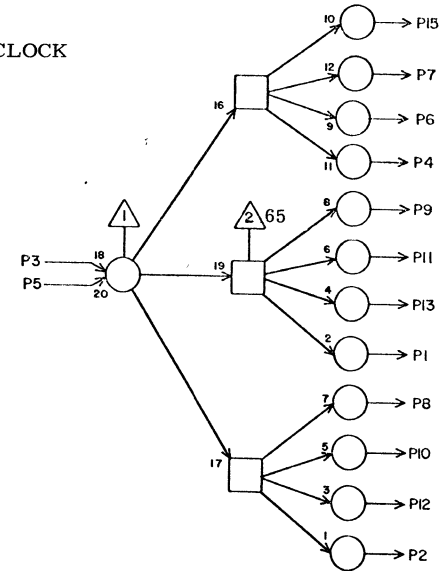
5H17

JACK	PIN	LG
1	L15	15 19
2	O33	17 120
3	I22	6 7
4	G30	17 17
5		
6	M09	3 23
7		
8	L08	15 21
9	P12	14 33
10	G32	17 108
11	O40	22 37
12		
13	L11	3 19
14	Q32	19 39
15	N08	3 120
16		
17	L16	10 19
18	N13	12 27
19	L15	10 19
20	N12	12 27
21	L14	10 19
22	N11	12 27
23	H10	12 11
24	H12	12 7
25	H09	12 11
26	H11	12 7
27	F22	4 13
28	N14	12 27

CIRCUIT SPECIFICATION 11827600

60150800 Rev AG

CLOCK



TC

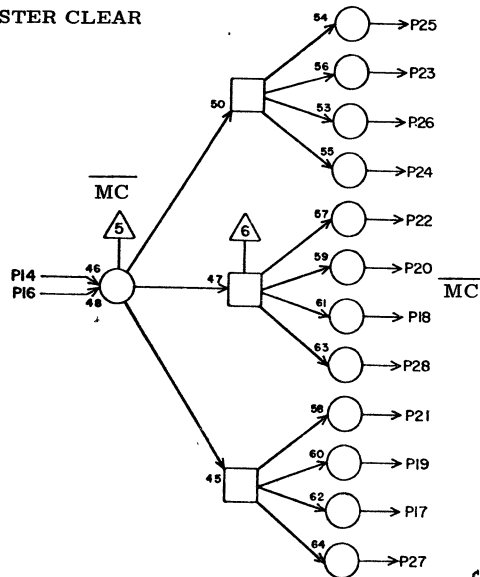
5H18

JACK	PIN	LG
1	H19	3 84
2	L12	3 23
3	I22	24 11
4		
5		
6	N09	3 27
7	G29	9 15
8		
9	N09	14 27
10	J21	9 84
11		
12	I21	9 84
13		
14	I22	27 11
15	P11	3 33
16		
17	F37	19 120
18		
19		
20	L18	3 19
21		
22	F38	8 23
23	P41	14 41
24	L09	3 26
25	P41	3 39
26	P11	14 33
27	P10	7 33
28	L14	3 19

CIRCUIT SPECIFICATION 11827600

60150800 Rev AZ

MASTER CLEAR

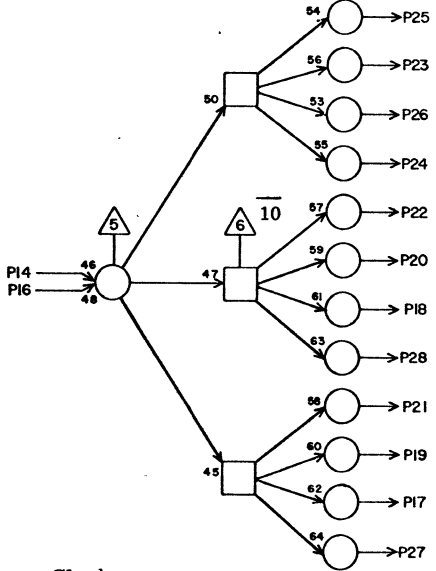
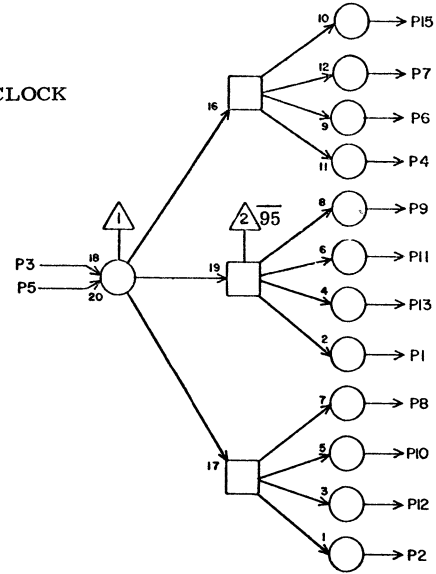


c

5H18

c

CLOCK



Clock

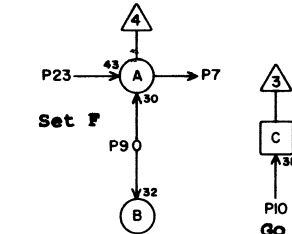
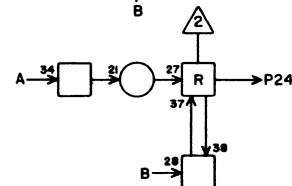
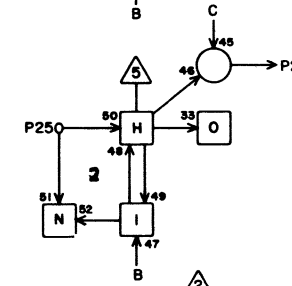
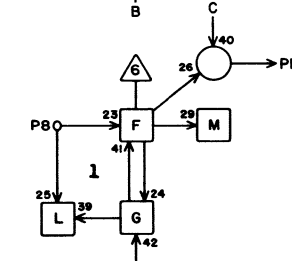
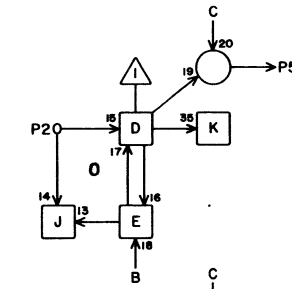
TC

5H19

1	K22	1	15
2	L23	1	19
3	H18	1	84
4	J23	1	11
5			
6	J22	1	11
7	J21	1	11
8	K23	1	15
9	J24	1	13
10	K24	1	15
11	J25	1	13
12	K25	1	15
13	K21	1	15
14	E29	23	17
15	I21	1	7
16			
17	Q21	23	39
18	K38	10	23
19			
20	Q06	9	49
21	F37	16	120
22	O40	3	108
23	P37	11	180
24			
25			
26	G29	23	13
27	M32	10	25
28	J39	10	23

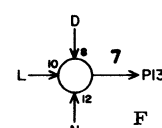
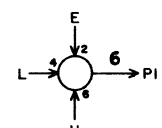
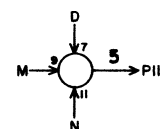
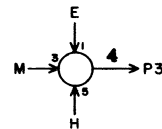
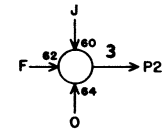
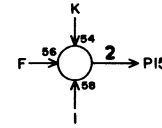
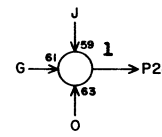
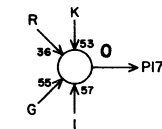
JACK PIN LG
CIRCUIT SPECIFICATION I1327600

60150800 Rev AS



Set F

Go store



F Increment 2
Memory

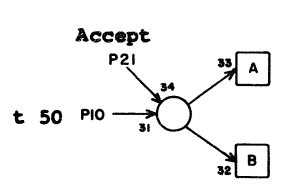
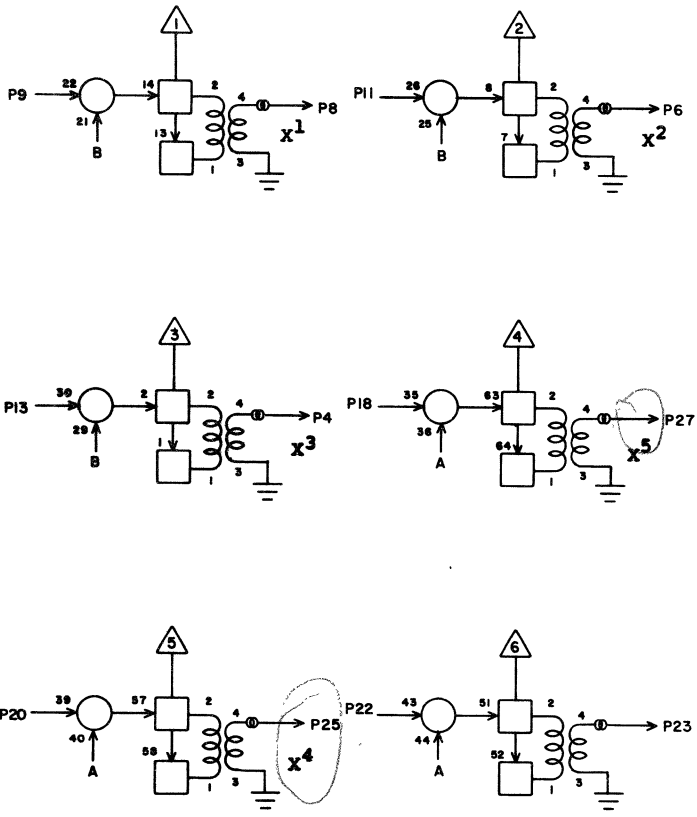
CK

5H20

1	M10	10	25
2	E06	14	21
3			
4			
5	Q30	4	41
6			
7	E06	5	21
8	E06	11	21
9	G38	28	19
10	Q30	13	41
11			
12			
13	M10	13	25
14			
15			
16			
17			
18			
19	Q30	24	41
20			
21			
22			
23			
24			
25	E06	15	21
26	Q30	28	37
27			
28			

JACK PIN LG

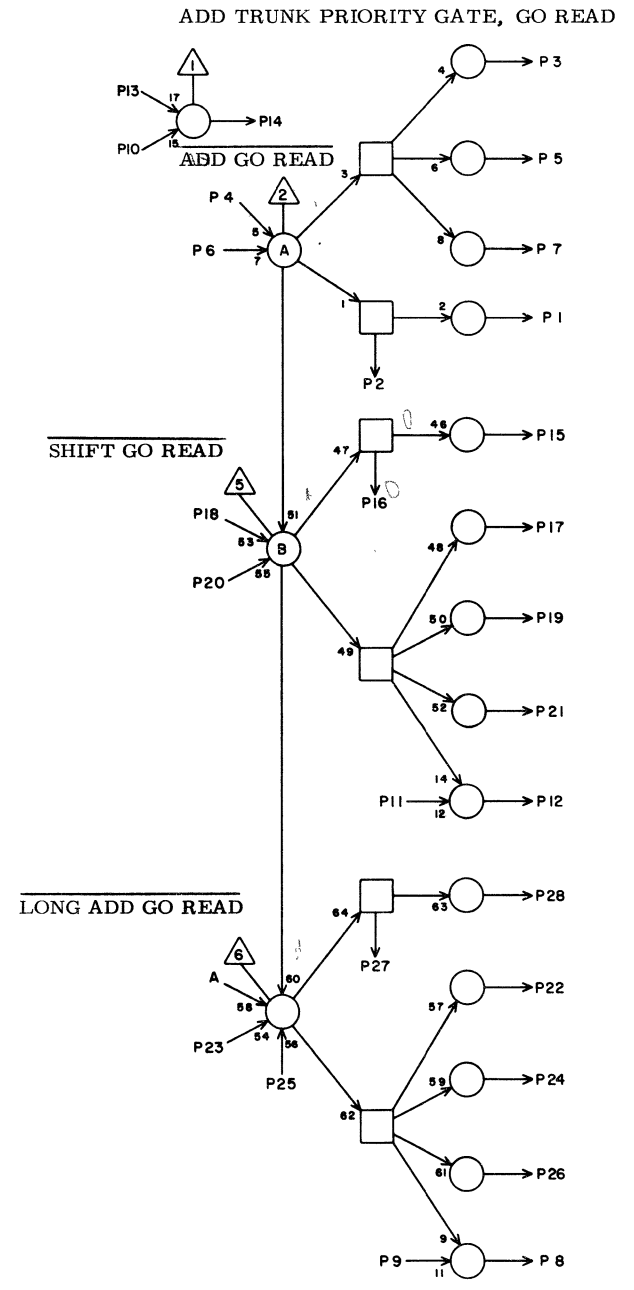
60150800 Rev. B



Request release
Memory to X tags

PL		5H21	
JACK	PIN	LG	
1			
2			
3			
4	L23	19	19
5			
6	K25	19	17
7			
8	K24	19	17
9	G39	10	19
10	F17	22	13
11	G39	14	19
12			
13	G39	11	19
14			
15			
16			
17			
18	G39	12	19
19			
20	G39	9	19
21	H07	18	17
22			
23			
24			
25	L25	19	19
26			
27	L24	19	19
28			

60150800 Rev. A

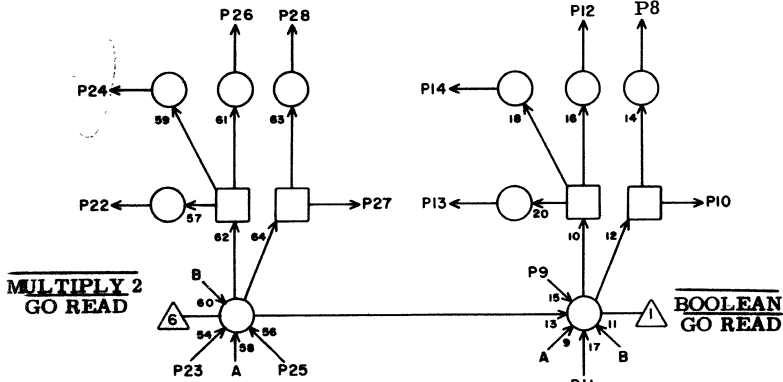
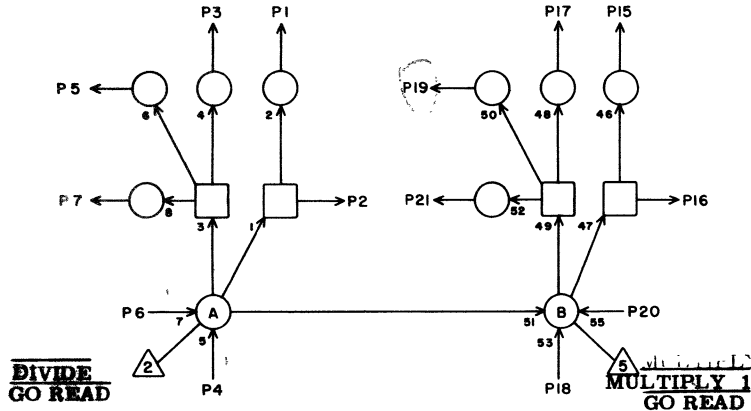


5H22

HY		5H22	
JACK	PIN	LG	
1	F29	15	13
2	E40	20	23
3	G16	8	11
4	L22	19	19
5	I36	10	17
6	L21	19	19
7	G17	8	11
8	K41	4	25
9	G13	24	13
10	Q06	5	43
11	F16	24	13
12	K42	6	25
13	H22	X	2
14	L03	3	25
15	F15	8	15
16	E40	22	23
17	F16	10	13
18	L09	19	23
19	H37	10	17
20	L10	19	23
21	F27	15	13
22	G13	10	13
23	L19	19	19
24	I36	9	17
25	L20	19	19
26	F29	12	15
27	E40	18	23
28	G14	8	13

60150800 Rev. AZ

MULTIPLY TRUNK PRIORITY GATE, GO READ



IS		5H23	
JACK	PIN	LG	
1	F30	15	13
2	J40	9	21
3	G04	8	21
4	L14	19	23
5	I36	17	15
6	L13	19	23
7	G05	8	21
8	F27	12	13
9	L11	19	23
10	R40	24	23
11	L12	19	23
12	H37	9	17
13	G02	8	33
14	G01	8	23
15	G07	8	19
16	J40	13	21
17	G08	8	29
18	L15	19	19
19	H37	17	17
20	L16	19	21
21	F28	15	13
22	G10	8	17
23	L17	19	19
24	H37	18	17
25	L18	19	19
26	F28	12	15
27	J40	11	19
28	G11	8	29

JACK PIN LG

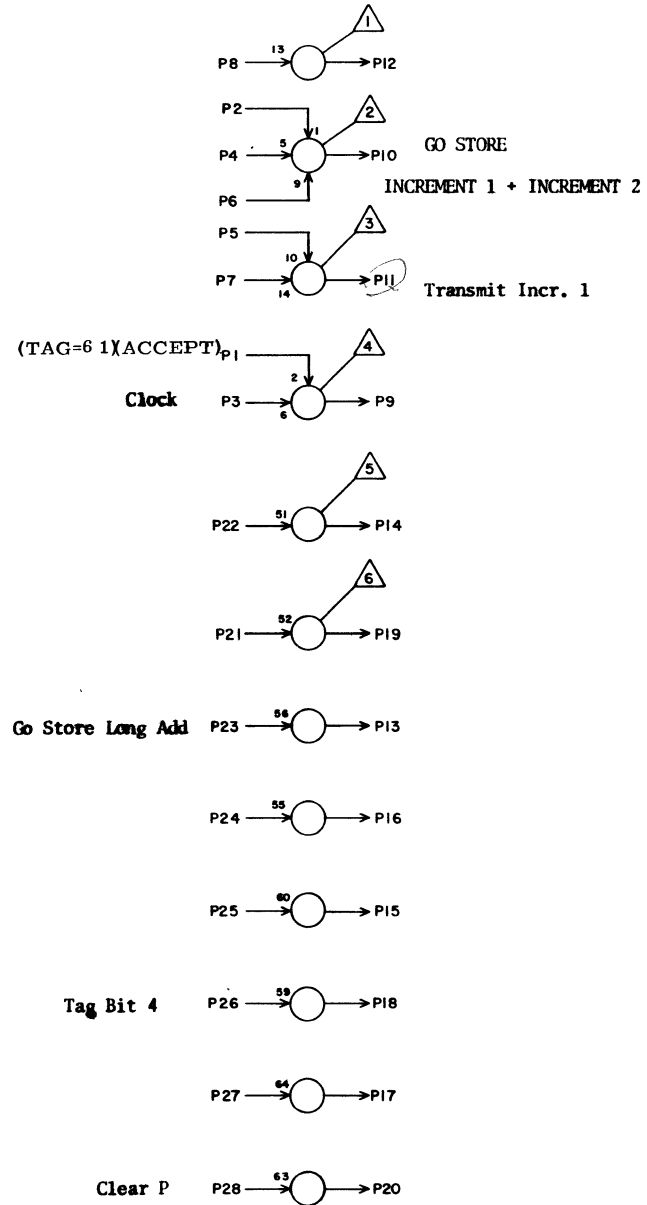
60150800 Rev. AJ

LS 63064400
ASSY

REV

TL

5H24

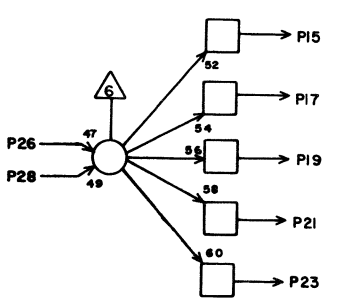
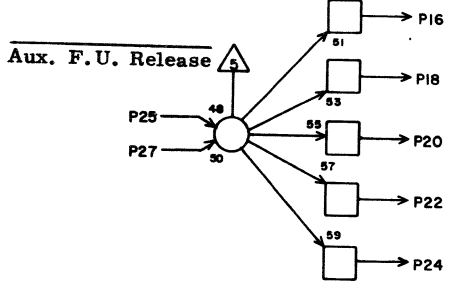
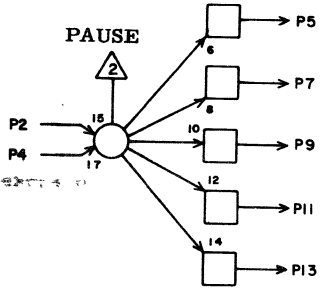
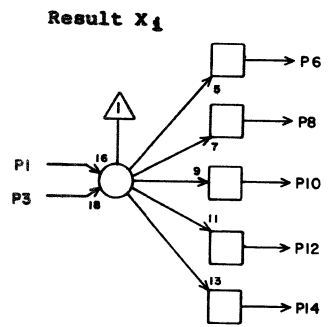


1	E09	25	19
2	I28	19	13
3	GND	X	2
4	I32	19	13
5	H24	13	3
6			
7	G15	24	13
8	P19	10	35
9	L07	3	23
10	R32	21	45
11	H39	4	15
12	F37	12	19
13	H24	5	3
14	G31	11	17
15	R19	27	41
16	N10	4	35
17	F21	7	11
18	H07	15	19
19	N26	23	27
20	L06	3	25
21	N26	14	27
22	P19	28	37
23	J36	5	17
24	E09	3	33
25	P19	25	37
26	P40	23	25
27	N10	10	33
28	O32	28	31

JACK PIN LG

CIRCUIT SPECIFICATION 11827600

60150800 Rev. A



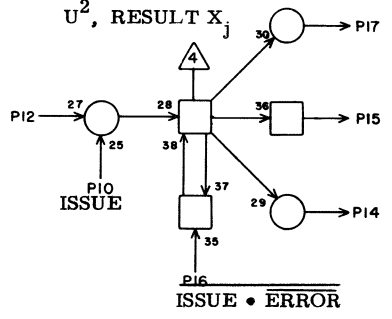
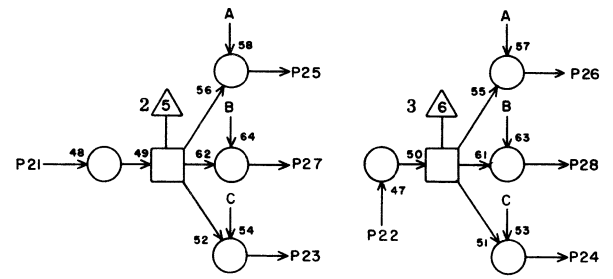
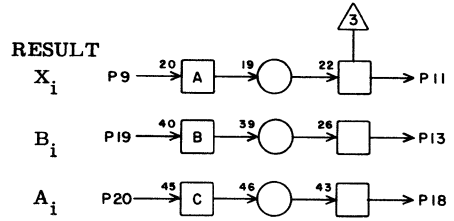
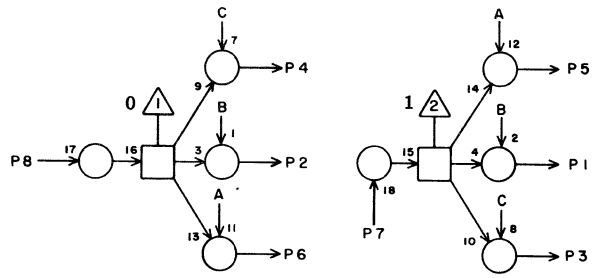
T D **5H25**

1	F32	1	13
2	F37	25	55
3	E13	13	19
4	P20	26	37
5	G36	13	15
6	H26	9	3
7	L15	3	156
8	H27	9	5
9			
10			
11			
12			
13			
14			
15	J25	5	11
16	R31	12	41
17	K21	5	15
18	R38	12	43
19			
20	N10	23	41
21			
22			
23			
24			
25	L08	13	23
26	J23	17	11
27			
28	J24	17	11

JACK PIN LG

60150800 Rev. AE

RESULT i



5H26

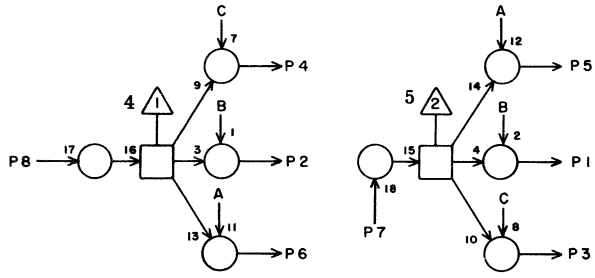
IO **5H26**

1	H34	10	11
2	H34	9	11
3	J37	4	17
4	J37	2	17
5	G34	10	13
6	G34	9	13
7	G24	10	7
8	G24	16	7
9	H25	6	3
10	F39	4	17
11			
12	C23	8	23
13			
14	F24	9	13
15			
16	F39	21	17
17	F23	9	13
18			
19	G20	15	11
20	K36	20	19
21	G24	14	9
22	G24	11	7
23	J37	26	17
24	J37	28	17
25	G34	19	13
26	G34	20	13
27	H34	19	11
28	H34	20	11

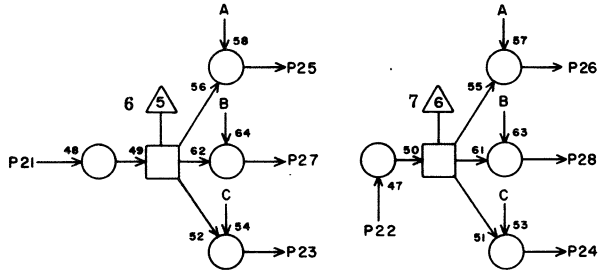
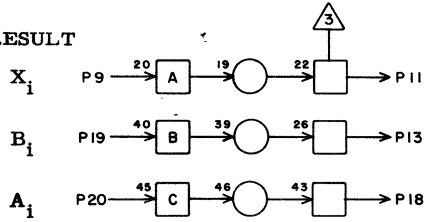
JACK PIN LG

60150800 Rev. B

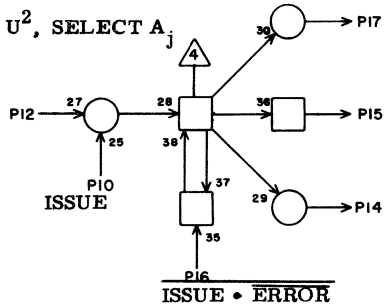
RESULT i



RESULT



U², SELECT A_j



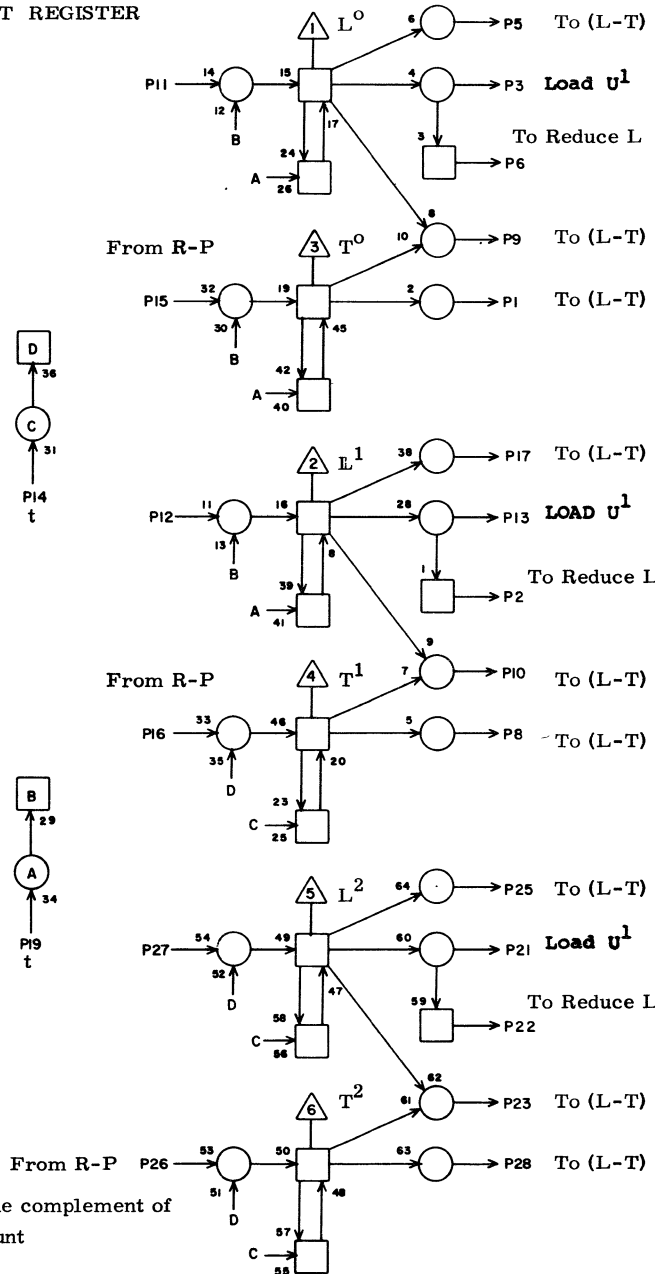
IO 5H27

1	H35	10	11
2	H35	9	11
3	J37	12	17
4	J37	15	17
5	G35	10	13
6	G35	9	13
7	G24	9	7
8	G24	12	7
9	H25	8	5
10	F39	9	17
11			
12	F31	18	13
13			
14	F24	20	13
15			
16	F39	26	17
17	F23	20	13
18			
19	G20	21	11
20	K36	24	19
21	G24	13	9
22	G24	15	7
23	J37	14	15
24	J37	24	17
25	G35	19	13
26	G35	20	13
27	H35	19	11
28	H35	20	11

JACK PIN LG

60150800 Rev. B

L REGISTER*
T REGISTER



*Holds the complement of the L Count

QA 5H28

1	H29	9	3
2	H30	14	5
3	I25	26	9
4			
5	H29	11	3
6	H30	13	5
7			
8	H29	19	5
9	H29	13	5
10	H29	15	5
11	G28	14	7
12	G28	10	9
13	G28	18	7
14	F17	27	15
15	F38	20	15
16	F38	21	15
17	H29	17	3
18			
19	F17	28	17
20			
21	G28	20	7
22	H30	18	5
23	H29	3	5
24			
25	H29	7	5
26	F38	22	17
27	G28	4	9
28	H29	5	7

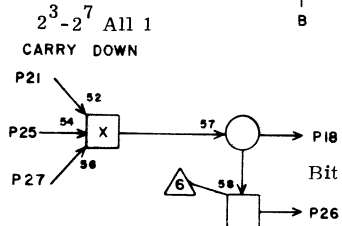
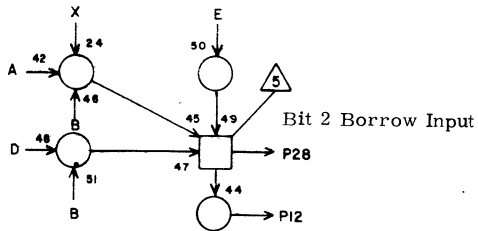
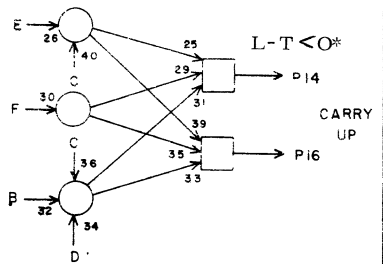
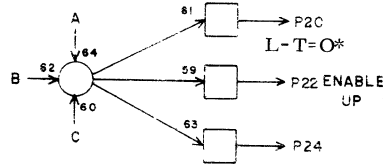
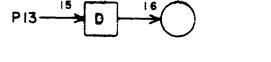
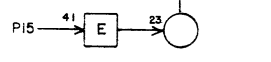
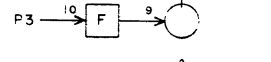
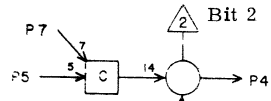
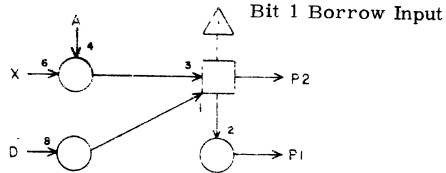
JACK PIN LG

60150800 Rev. B

(L-T) SUMMING NETWORK

Q8

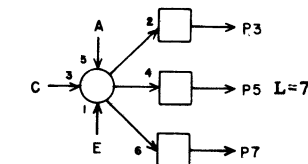
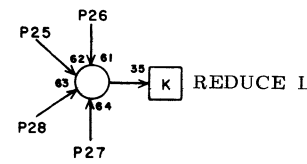
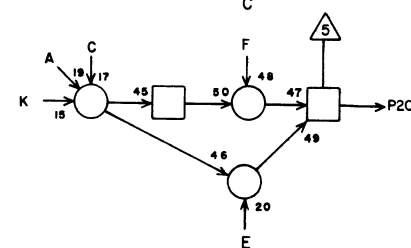
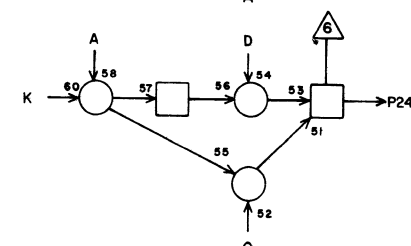
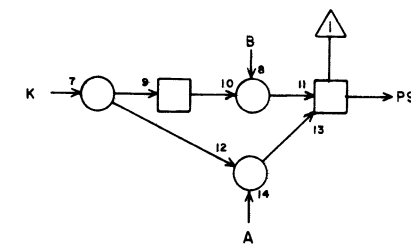
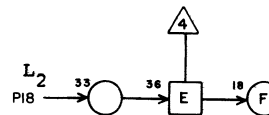
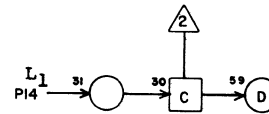
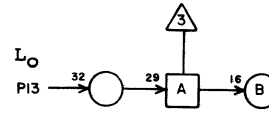
5H29



1	G36	7	13
2	G36	11	13
3	H28	23	5
4	G36	27	13
5	H28	28	7
6	G36	2	13
7	H28	25	5
8	G36	6	13
9	H28	1	3
10			
11	H28	5	3
12	G36	28	13
13	H28	9	5
14	F22	21	15
15	H28	10	5
16	F38	17	15
17	H28	17	3
18	G36	1	13
19	H28	8	5
20	F22	23	17
21	E31	16	17
22			
23			
24			
25	F38	10	180
26	G36	5	13
27	GRD	X	2
28	G36	24	13

JACK PIN LG
CIRCUIT SPECIFICATION 11827600

REDUCE L LOOP



QK 5H30

1			
2			
3			
4			
5	G30	25	7
6			
7			
8			
9	G28	9	9
10			
11			
12			
13	H28	6	5
14	H28	2	5
15			
16			
17			
18	H28	22	5
19			
20	G28	6	9
21			
22			
23			
24	G28	5	9
25	R39	10	39
26	Q26	14	37
27			
28			

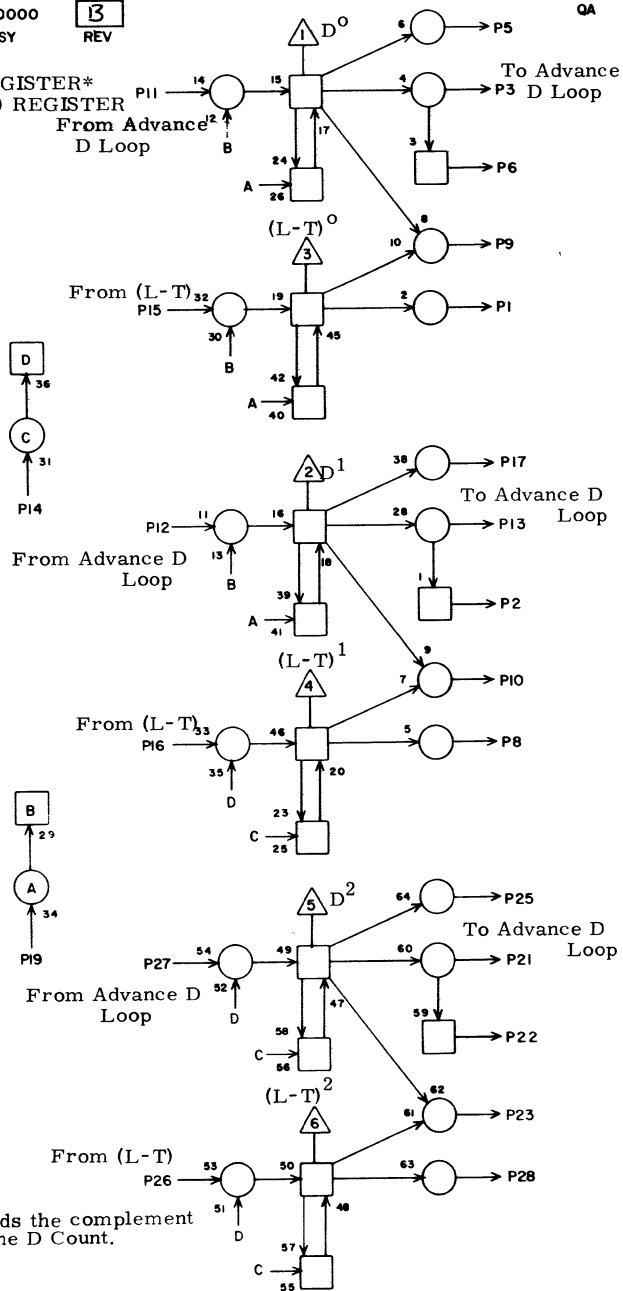
JACK PIN LG

*The sign of T is not taken into account for these translations.

LS 63060000
ASSY

13
REV

D REGISTER*
(L-T) REGISTER
From Advance
D Loop



*Holds the complement of the D Count.

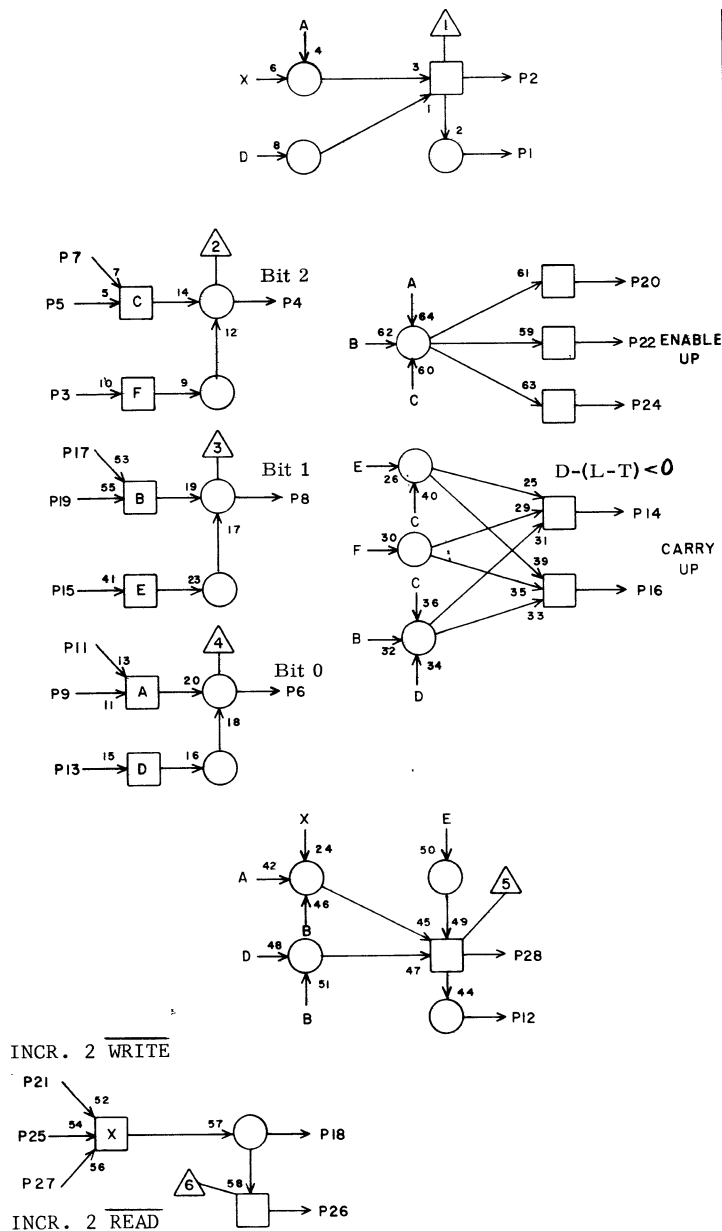
QA

5H31

1	H32	9	3
2			
3	H33	12	3
4			
5	H32	11	3
6			
7			
8	H32	19	3
9	H32	13	3
10	H32	15	3
11	G36	22	7
12	G36	21	11
13	H33	10	3
14	O15	13	84
15	G36	3	11
16	G36	9	11
17	H32	17	3
18			
19	O15	14	96
20			
21	H33	8	5
22			
23	H32	3	5
24			
25	H32	7	5
26	G36	26	11
27	G36	18	11
28	H32	5	5

JACK PIN LG
CIRCUIT SPECIFICATION 11827600
60150800 Rev B

D-(L-T) SUMMING NETWORK



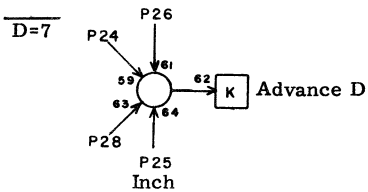
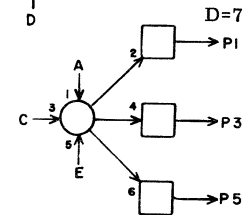
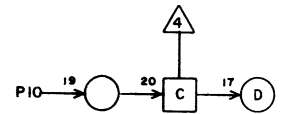
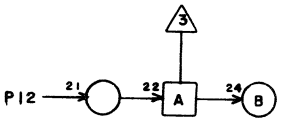
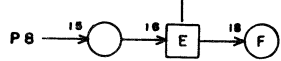
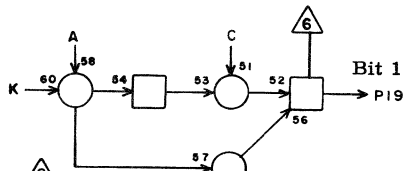
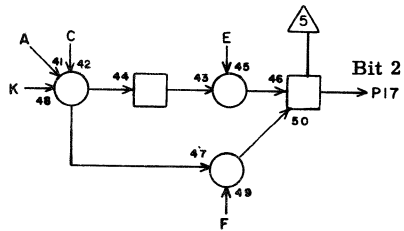
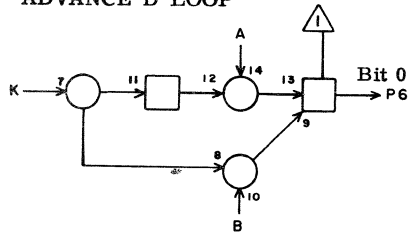
QB **5H32**

1			
2			
3	H31	23	5
4			
5	H31	28	5
6			
7	H31	25	5
8			
9	H31	1	3
10			
11	H31	5	3
12			
13	H31	9	3
14	I03	21	29
15	H31	10	3
16			
17	H31	17	3
18	G26	7	39
19	H31	8	3
20			
21	P21	3	84
22			
23			
24			
25	G27	6	180
26			
27	GRD	X	2
28			

JACK PIN LG

60150800 Rev. BE

ADVANCE D LOOP



IX

5H33

1	F22	8	17
2			
3			
4			
5			
6	G36	23	7
7			
8	H31	21	5
9			
10	H31	13	3
11			
12	H31	3	3
13			
14			
15			
16			
17	G36	19	7
18			
19	G36	20	7
20			
21			
22			
23			
24	F22	12	17
25	L11	17	27
26			
27			
28			

JACK PIN LG

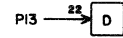
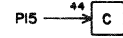
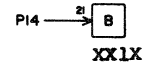
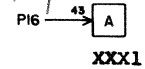
IR

5H34

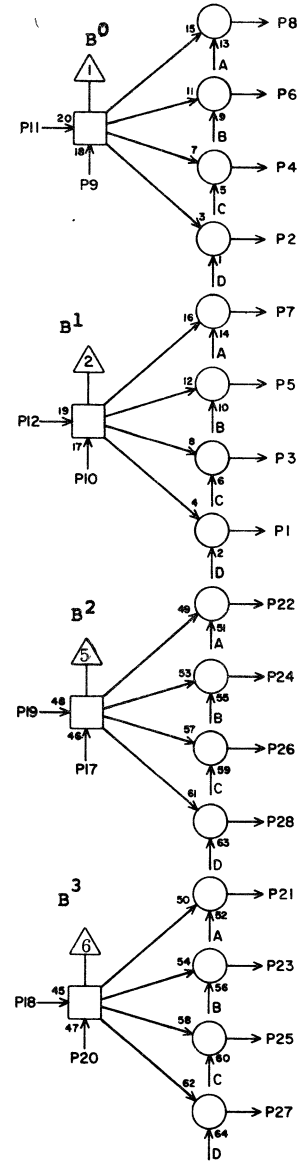
1			
2			
3			
4			
5	H10	17	25
6	H09	17	25
7	H10	11	25
8	H09	11	25
9	H26	2	11
10	H26	1	11
11	F35	2	13
12	F35	1	13
13	F40	21	13
14	F40	3	13
15	F40	26	13
16	F40	7	15
17	F35	27	11
18	F35	28	11
19	H26	27	11
20	H26	28	11
21	H12	11	23
22	H11	11	23
23	H12	17	23
24	H11	17	23
25			
26			
27			
28			

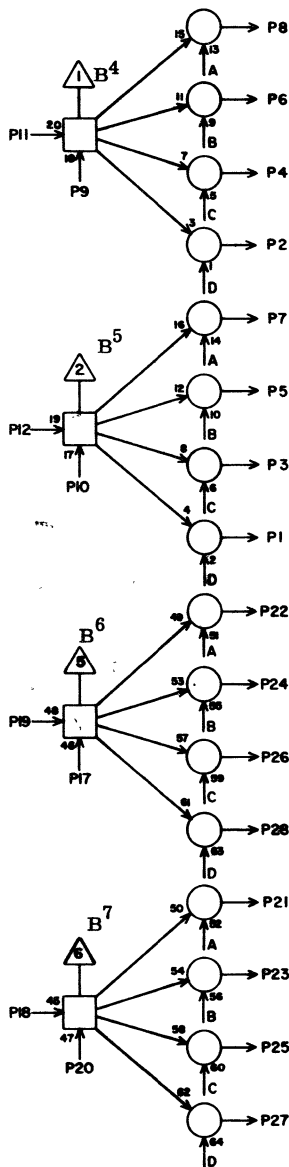
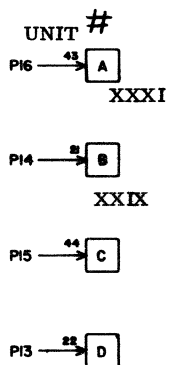
JACK PIN LG

UNIT #



Set B Design





Set B design

IR **5H35**

JACK	PIN	LG
1		
2		
3		
4		
5	N12	17 33
6	N11	17 33
7	N12	11 33
8	N11	11 35
9	H27	2 11
10	H27	1 11
11	F36	2 23
12	F36	1 13
13	F40	24 15
14	F40	4 13
15	F40	25 13
16	F40	8 13
17	F36	27 11
18	F36	28 11
19	H27	27 11
20	H27	28 11
21	N14	11 33
22	N13	11 33
23	N14	17 31
24	N13	17 33
25		
26		
27		
28		

CIRCUIT SPECIFICATION I1827600

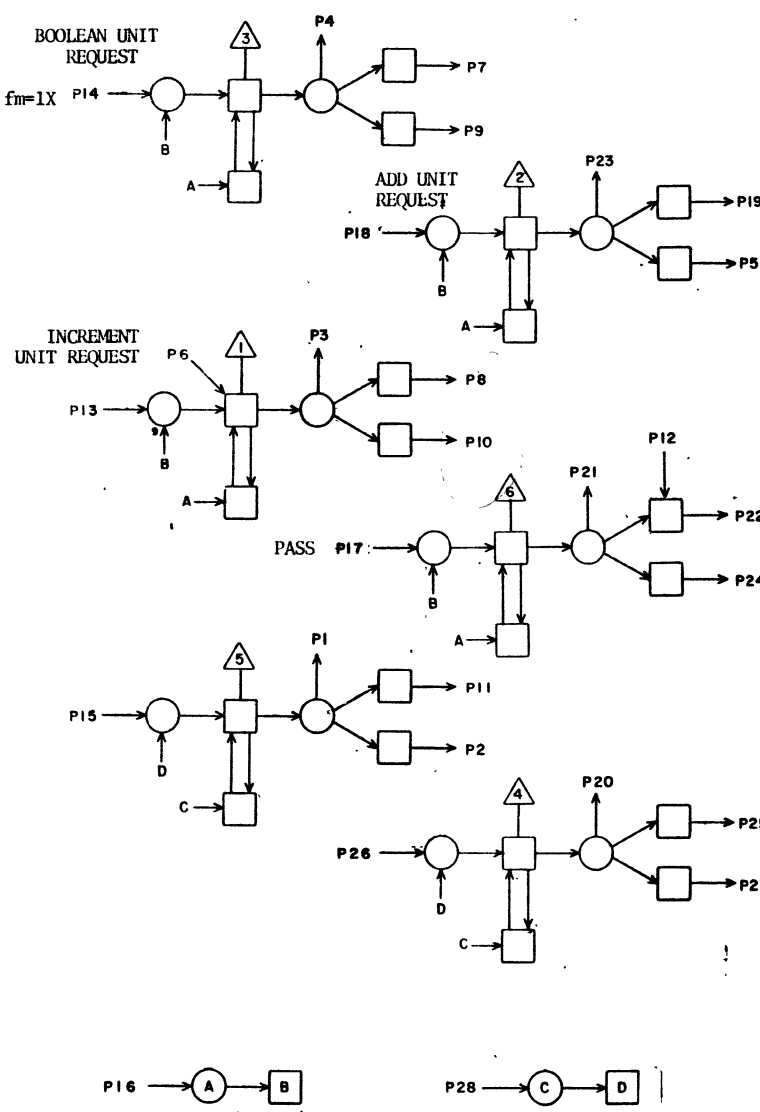
5H36

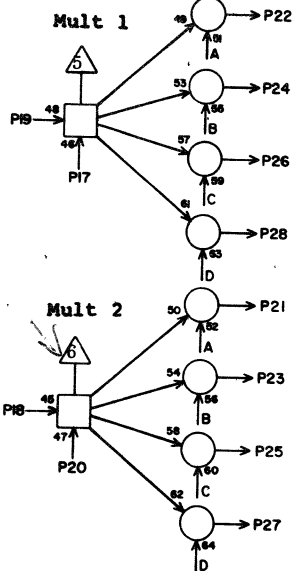
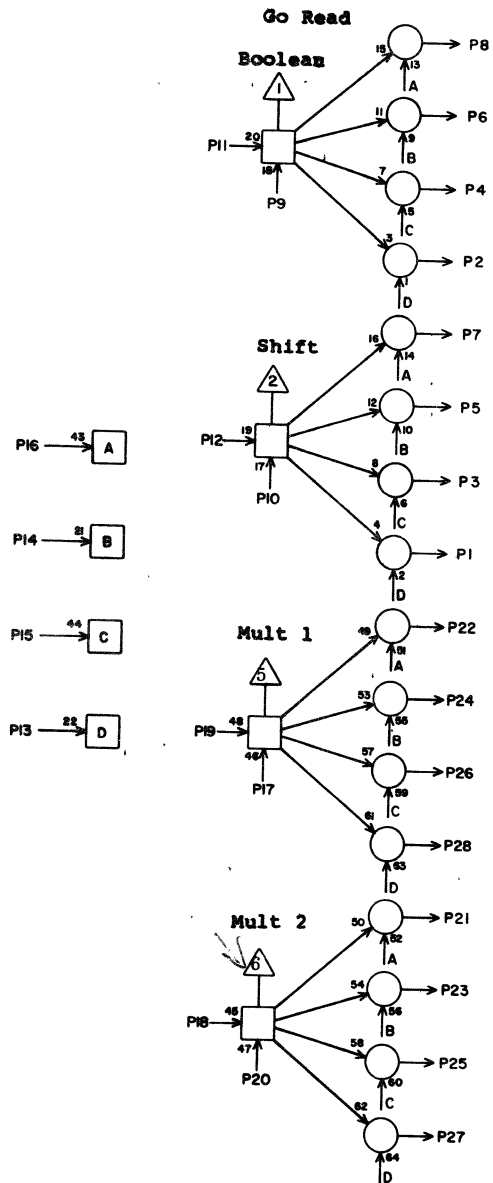
RV

JACK	PIN	LG
1	M11	4 35
2		
3		
4	G33	21 7
5	L06	11 37
6	F21	27 21
7	F27	3 15
8	G26	5 13
9	L02	11 37
10	G27	19 13
11	Q14	26 41
12	H36	X 2
13	F32	26 13
14	C23	4 25
15	Q14	11 43
16	E28	13 17
17	C23	3 25
18	F32	13 11
19	F29	27 13
20	M11	6 35
21	E32	23 17
22		
23	F33	14 11
24		
25		
26	Q14	25 41
27		
28	N09	11 39

CIRCUIT SPECIFICATION I1827600

60150800 Rev. AE



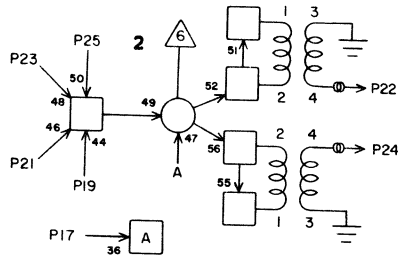
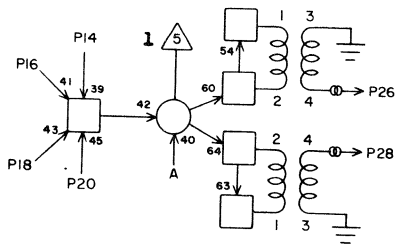
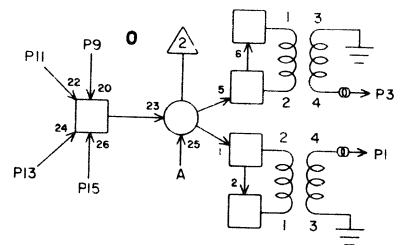
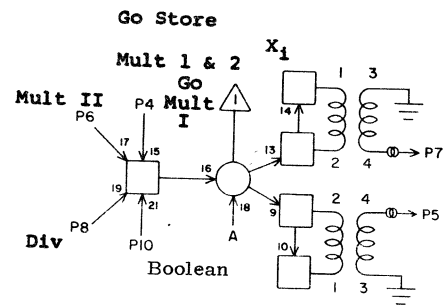


IR **5H37**

1	L09	18	33
2	L11	18	31
3	L10	18	31
4	L12	18	31
5	M41	6	23
6	J42	8	13
7			
8	J41	8	13
9	H23	12	17
10	H22	19	17
11	N29	7	27
12	N29	15	27
13	Q32	3	35
14	D33	5	19
15	Q32	9	37
16	D35	5	19
17	H23	19	17
18	H23	24	17
19	N29	6	27
20	N29	4	27
21	J41	6	11
22	J41	4	13
23	J42	6	13
24	J42	4	13
25	L18	18	25
26	L16	18	27
27	L17	18	27
28	L15	18	27

JACK PIN LG

60150800 Rev. AW



IZ **5H38**

1	W22	903	
2			
3	W15	902	
4	I37	27	120
5	W22	902	
6	J36	6	120
7	W15	901	
8	I37	28	120
9	G03	5	35
10	I37	3	120
11	G06	5	31
12			
13	G09	5	29
14	G03	19	35
15	G12	5	27
16	G06	19	31
17	P42	15	33
18	G09	19	29
19	G03	26	33
20	G12	19	27
21	G06	26	31
22	W22	905	
23	G09	26	29
24	W15	904	
25	G12	26	27
26	W22	904	
27			
28	W15	903	

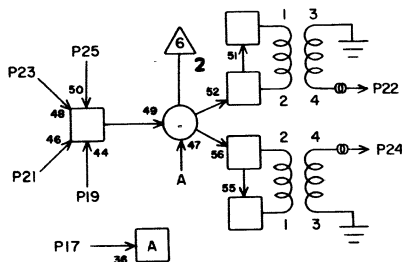
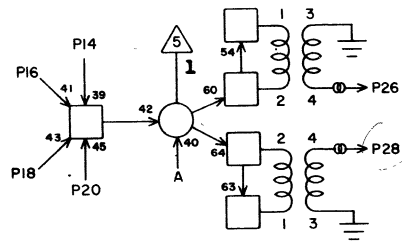
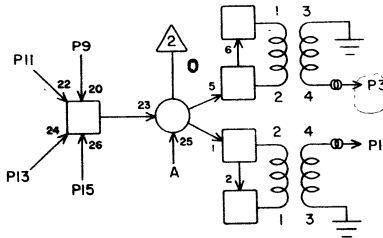
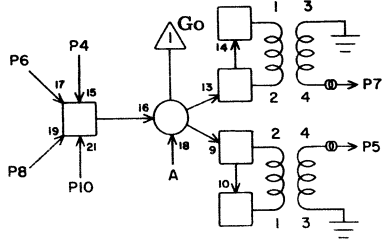
JACK PIN LG

Mult to X

5H38

60150800 Rev. Y

Go Store
Add X_1



Add to X

IZ

5H39

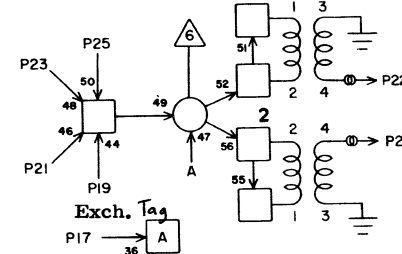
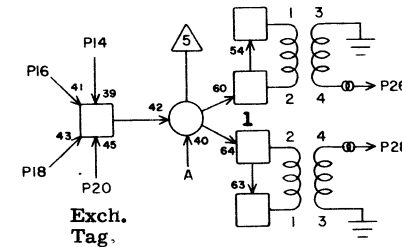
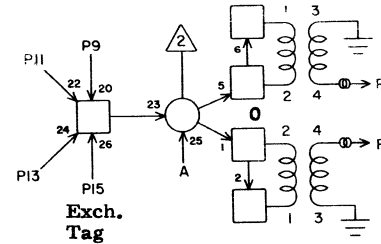
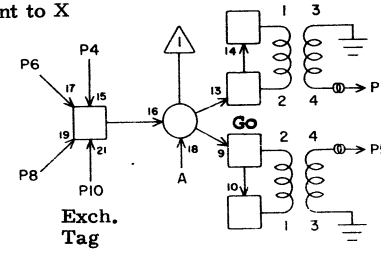
1	W22	907	
2			
3	W15	906	
4	H24	11	15
5	W22	906	
6	J36	23	13
7	W15	905	
8	J36	28	11
9	G15	5	25
10			
11	F18	5	25
12			
13			
14	G15	19	25
15	G18	5	23
16	F18	19	23
17	P42	7	33
18	G18	19	23
19	G15	26	25
20			
21	F18	26	25
22	W22	90	
23			
24	W15	98	
25	G18	26	23
26	W20	93	
27			
28	W15	907	

JACK PIN LG

60150800 Rev. B

Go Store X_i

Increment to X



IZ

5H40

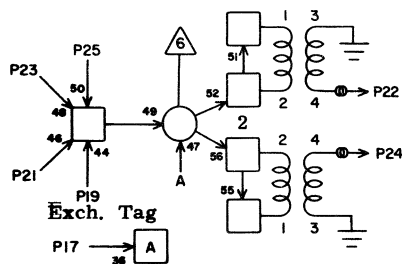
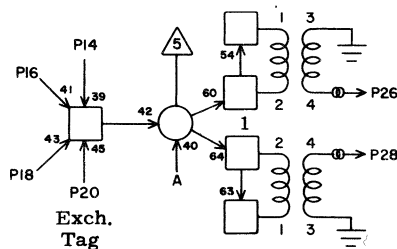
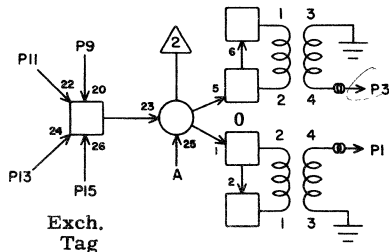
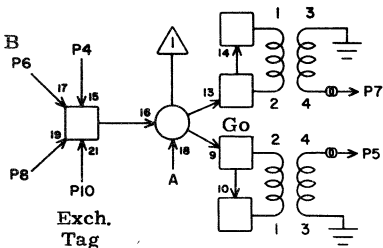
1	W22	92	
2			
3	W17	95	
4	E13	7	29
5	W22	91	
6	E12	27	29
7	W17	94	
8			
9	F05	5	35
10	O37	7	29
11	F12	5	29
12			
13			
14	F05	19	35
15	K37	28	17
16	F12	19	29
17	P42	6	33
18			
19	K37	2	15
20	K37	1	15
21			
22	W22	94	
23	F12	26	29
24	W17	97	
25	F05	26	35
26	W22	93	
27			
28	W17	96	

JACK PIN LG

60150800 Rev. Z

63049700 **B**
 ASSY REV

Go Store B_i
 Increment to B



Incr to B

12

5H41

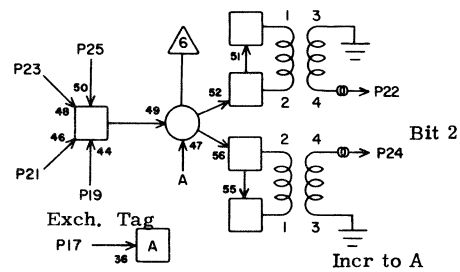
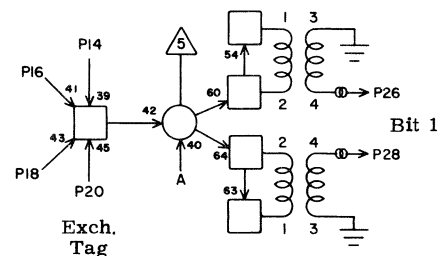
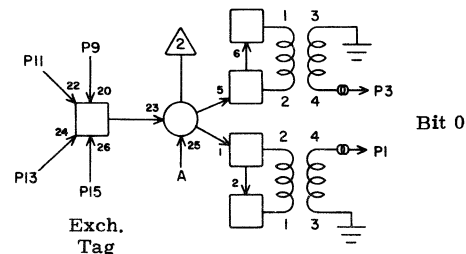
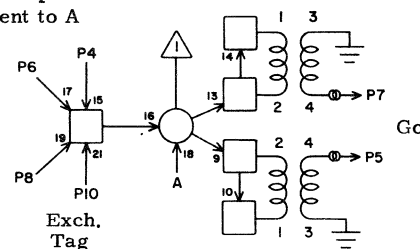
1	W22	96	
2			
3			
4	E13	12	29
5	W22	95	
6	E12	28	31
7			
8			
9	F06	5	35
10	O37	5	27
11	F13	5	29
12			
13			
14	F06	19	35
15	K37	26	17
16	F13	19	29
17	P42	4	33
18			
19	K37	4	15
20	K37	3	15
21			
22	W22	98	
23	F13	26	29
24			
25	F06	26	35
26	W22	97	
27			
28			

JACK PIN LG
 CIRCUIT SPECIFICATION 11827600

60150800 Rev AJ

LS 63049700 **B**
 ASSY REV

To Store A_i
 Increment to A



Incr to A

5H42

12

5H42

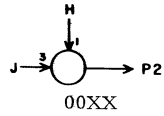
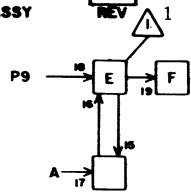
1	W16	901	
2			
3	W07	91	
4	E13	16	31
5	W16	900	
6	E12	26	31
7	W07	90	
8			
9	F07	5	35
10	P39	27	33
11	F14	5	29
12			
13			
14	F07	19	35
15	K37	24	17
16	F14	19	29
17	P42	9	33
18			
19	K37	6	15
20	K37	5	15
21			
22	W16	903	
23	F14	26	29
24	W07	93	
25	F07	26	35
26	W16	902	
27			
28	W07	92	

JACK PIN LG
 CIRCUIT SPECIFICATION 11827600

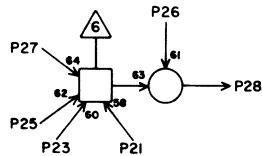
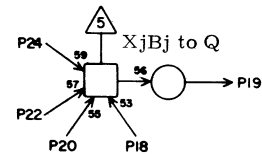
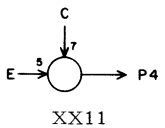
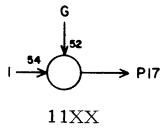
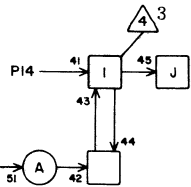
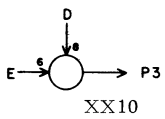
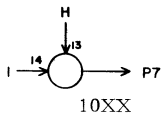
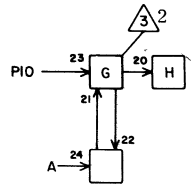
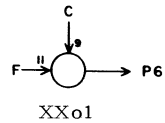
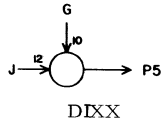
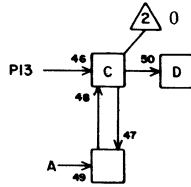
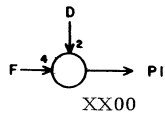
60150800 Rev V

LS 63047600
ASSY

B
REV



Q
Increment 1
Operand 1 (j)



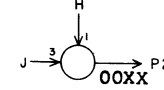
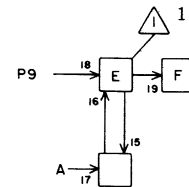
IE

5I01

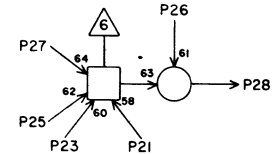
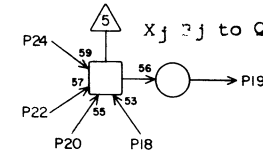
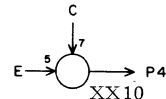
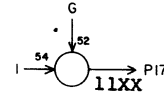
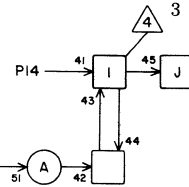
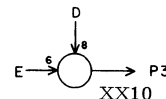
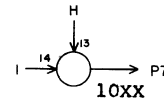
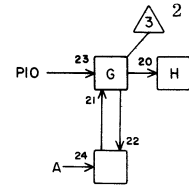
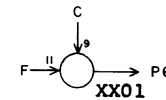
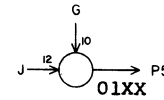
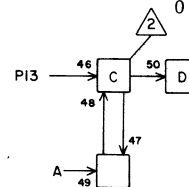
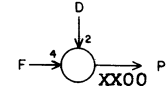
1	J01	26	11
2	J01	7	7
3	J01	11	7
4	J01	9	7
5	J01	23	7
6	J01	8	7
7	J01	6	5
8			
9	M20	2	25
10	M22	10	27
11			
12			
13	M20	10	25
14	M22	2	27
15			
16	N16	15	27
17	J01	24	7
18	H09	8	13
19	J21	27	23
20	H10	8	13
21	F37	24	37
22	H11	8	15
23			
24	H12	8	15
25			
26	K36	23	37
27			
28	F37	8	39

JACK PIN LG
CIRCUIT SPECIFICATION 11827600

60150800 Rev AW



Q
Increment 1
Operand 2 (K)



IE

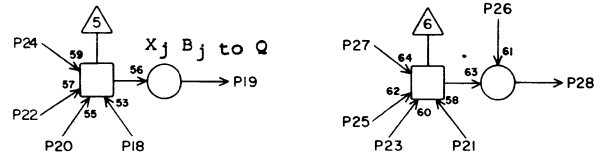
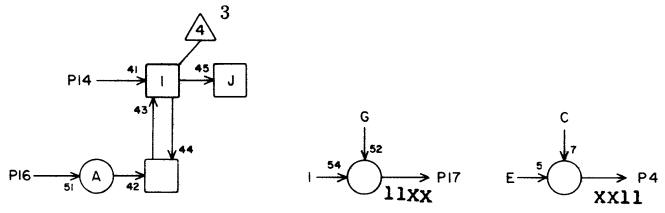
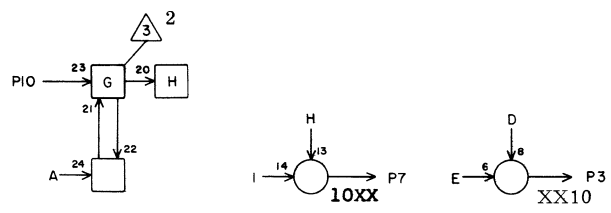
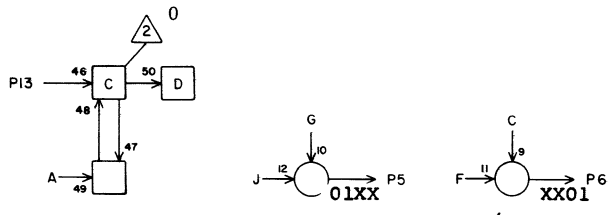
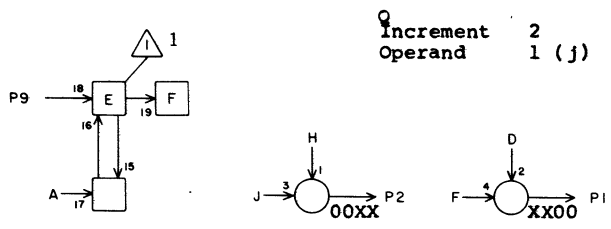
5I02

1	J02	26	11
2	J02	7	7
3	J02	11	7
4	J02	9	7
5	J02	23	7
6	J02	8	7
7	J02	6	5
8			
9	M24	2	27
10	M26	10	29
11			
12			
13	M24	10	27
14	M26	2	29
15			
16	N16	28	27
17	J02	24	7
18	N11	8	23
19	J21	28	21
20	N12	8	23
21	P39	2	45
22	N13	8	23
23			
24	N14	8	25
25			
26	R30	27	45
27			
28	O13	2	27

JACK PIN LG

5I02

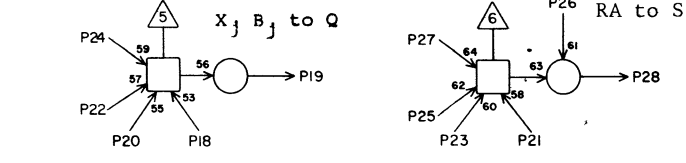
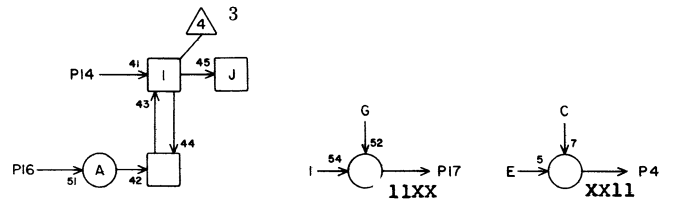
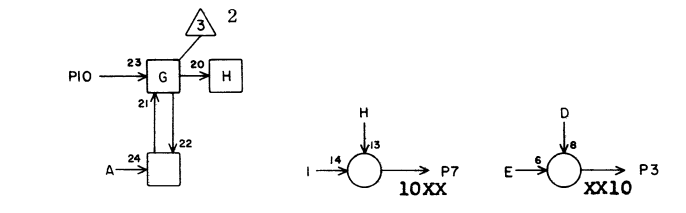
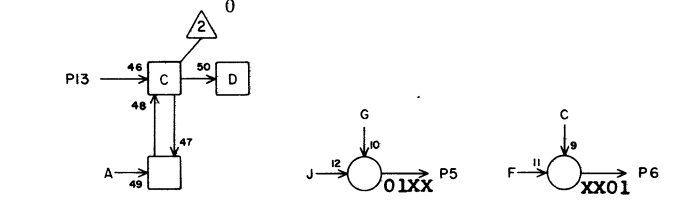
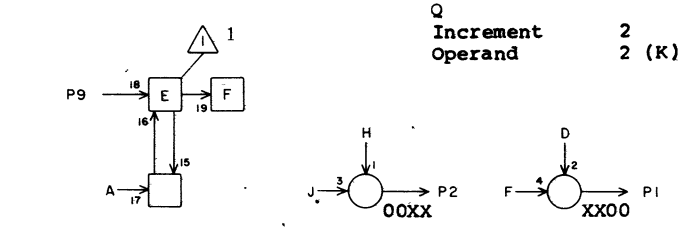
60150800 Rev. 4W



IE 5I 03

1	J03	26	11
2	J03	7	7
3	J03	11	7
4	J03	9	7
5	J03	23	7
6	J03	8	7
7	J03	6	5
8			
9	M20	14	25
10	M22	11	27
11			
12			
13	M20	11	25
14	M22	14	27
15			
16	E10	15	21
17	J03	24	7
18	H09	20	11
19	J22	27	21
20	H10	20	13
21	H32	14	29
22	H11	20	13
23			
24	H12	20	13
25			
26	F22	9	35
27			
28	F38	27	37

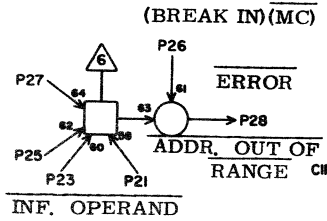
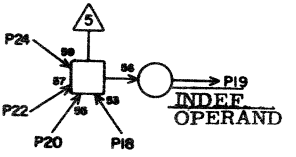
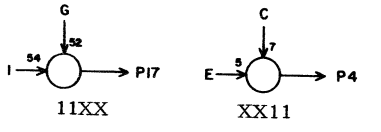
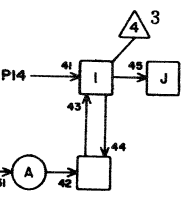
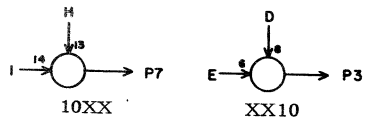
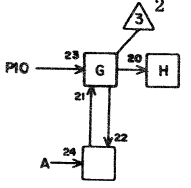
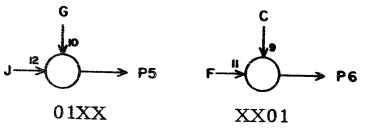
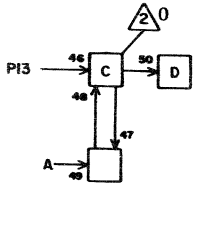
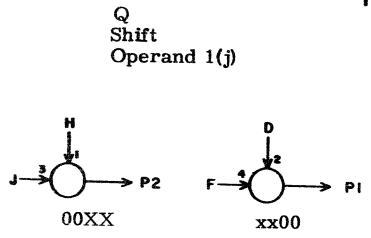
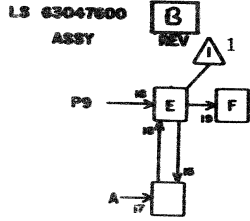
JACK PIN LG



IE 5I04

1	J04	26	11
2	J04	7	7
3	J04	11	7
4	J04	9	7
5	J04	23	7
6	J04	8	7
7	J04	6	5
8			
9	M24	14	27
10	M26	11	29
11			
12			
13	M24	11	27
14	M26	14	27
15			
16	E10	28	19
17	J04	24	7
18	N11	20	23
19	J22	28	21
20	N12	20	23
21	P20	22	33
22	N13	20	25
23			
24	N14	20	25
25			
26	N25	11	29
27			
28	F21	17	23

JACK PIN LG

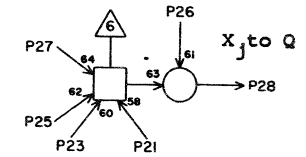
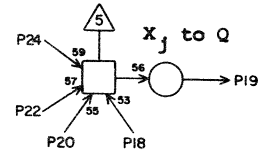
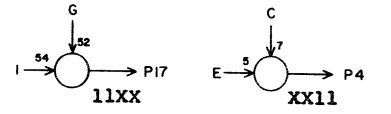
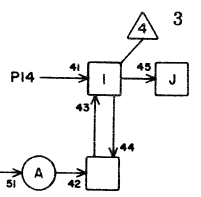
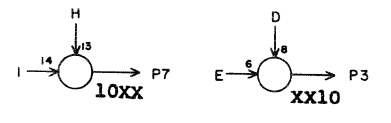
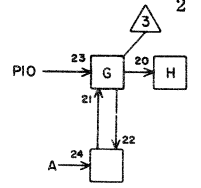
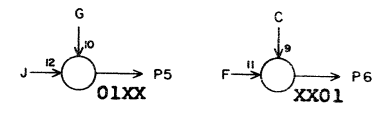
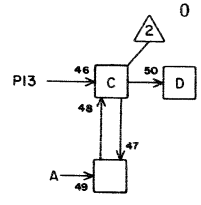
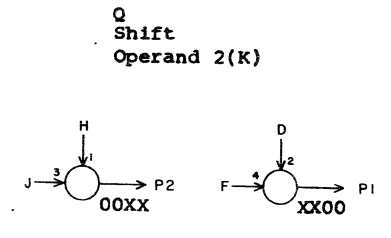
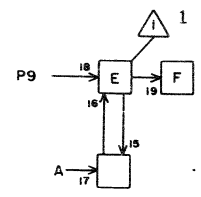


IE 5I05

1	J05	26	11
2	J05	7	7
3	J05	11	7
4	J05	9	7
5	J05	23	7
6	J05	8	7
7	J05	6	5
8			
9	M20	4	23
10	M22	23	25
11			
12			
13	M20	23	25
14	M22	4	25
15			
16	N15	3	25
17	J05	24	7
18	H13	13	13
19	J21	21	19
20	H13	15	13
21	M11	9	25
22	H14	13	13
23	Q20	9	29
24	H14	15	13
25	P19	16	29
26	N22	15	25
27			
28	L18	20	17

JACK PIN LG
CIRCUIT SPECIFICATION 11827600

60150800 Rev AW



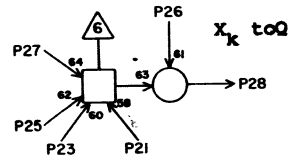
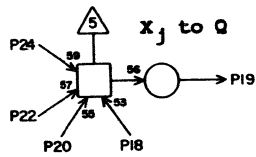
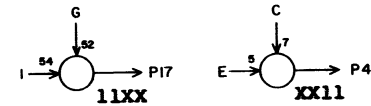
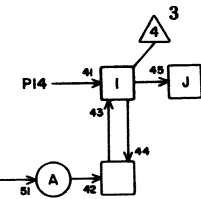
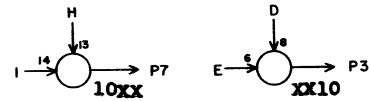
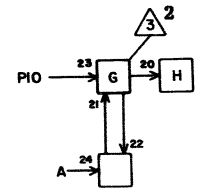
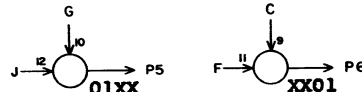
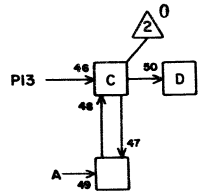
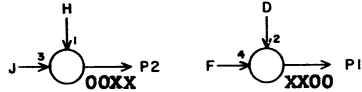
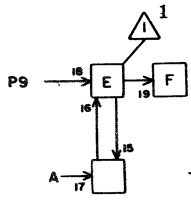
IE 5I06

1	J06	26	11
2	J06	7	7
3	J06	11	7
4	J06	9	7
5	J06	23	7
6	J06	8	7
7	J06	6	5
8			
9	M25	4	25
10	M27	23	27
11			
12			
13	M25	23	27
14	M27	4	27
15			
16	N15	6	25
17	J06	24	7
18	H15	13	13
19	J21	23	17
20	H15	15	13
21	A22	4	37
22	H16	13	15
23			
24	H16	15	15
25			
26	R33	27	45
27			
28	F33	25	31

JACK PIN LG

60150800 Rev AW

5I06



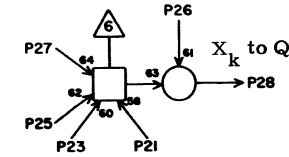
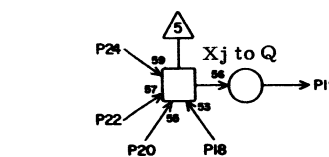
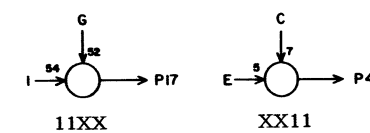
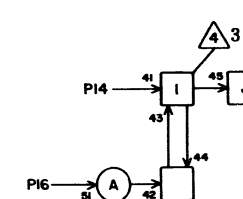
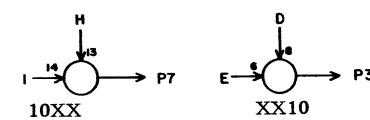
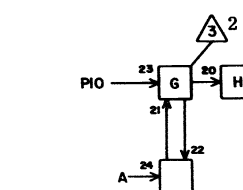
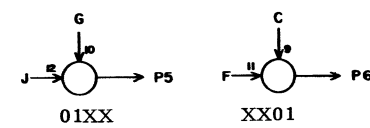
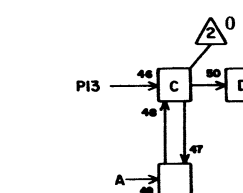
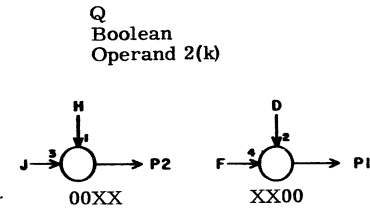
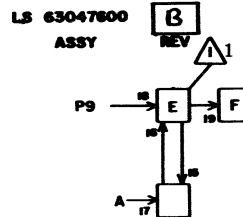
Boolean
Operand 1 (j)

IE 5107

1	J07	26	11
2	J07	7	7
3	J07	11	7
4	J07	9	7
5	J07	23	7
6	J07	8	7
7	J07	6	5
8			
9	M20	16	23
10	M22	13	25
11			
12			
13	M20	13	23
14	M22	16	25
15			
16	N15	4	23
17	J07	24	7
18	H13	11	11
19	J22	21	17
20	H13	17	11
21	H13	12	11
22	H14	11	11
23	H13	18	11
24	H14	17	11
25	H14	12	11
26			
27	H14	18	11
28	K21	21	19

JACK PIN LG

60150800 Rev. AW



IE 5108

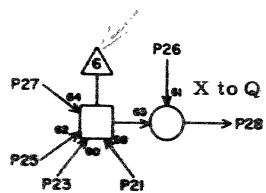
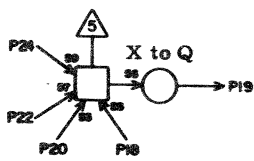
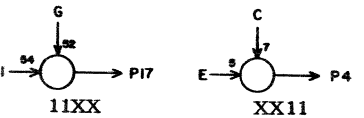
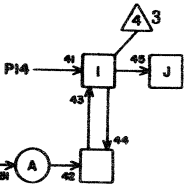
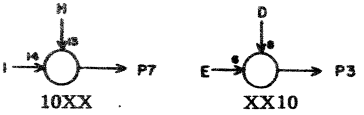
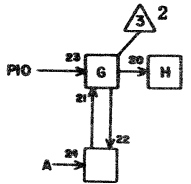
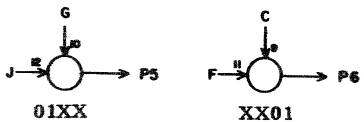
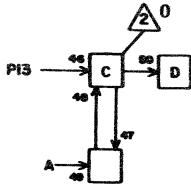
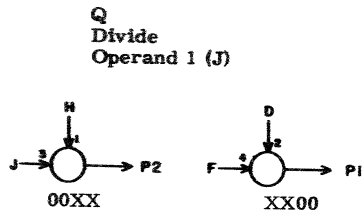
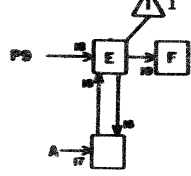
1	J08	26	11
2	J08	7	7
3	J08	11	7
4	J08	9	7
5	J08	23	7
6	J08	8	7
7	J08	6	5
8			
9	M24	16	23
10	M26	13	25
11			
12			
13	M24	13	25
14	M26	16	25
15			
16	N15	5	23
17	J08	24	9
18	H15	11	13
19	J22	23	17
20	H15	17	13
21	H15	12	13
22	H16	11	13
23	H15	18	13
24	H16	17	13
25	H16	12	13
26			
27	H16	18	13
28	K21	23	17

JACK PIN LG

CIRCUIT SPECIFICATION 11027600

60150800 Rev AW

63047800 ASSY REV B



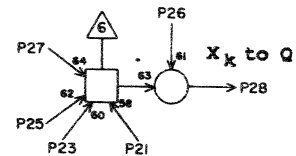
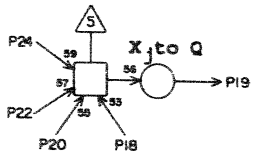
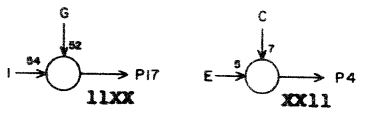
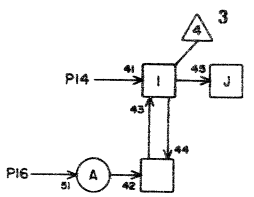
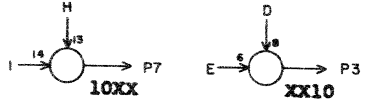
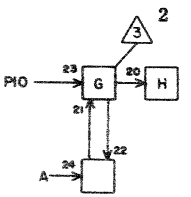
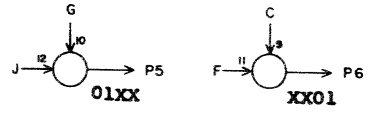
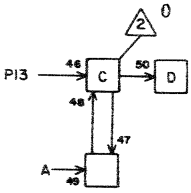
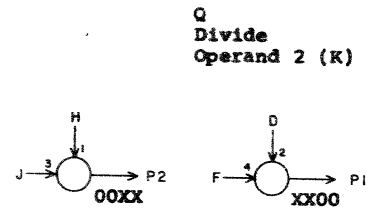
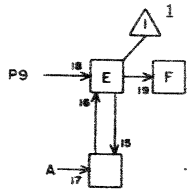
IE

5I09

1	J09	26	11
2	J09	7	7
3	J09	11	7
4	J09	9	7
5	J09	23	7
6	J09	8	7
7	J09	6	5
8			
9	M21	7	21
10	M23	1	21
11			
12			
13	M21	1	21
14	M23	7	21
15			
16	N15	16	23
17	J09	24	7
18	H13	9	11
19	J23	21	17
20	H13	19	9
21	H13	10	11
22	H14	9	9
23	H13	20	9
24	H14	19	9
25	H14	10	9
26			
27	H14	20	9
28	K22	21	19

JACK PIN LG
CIRCUIT SPECIFICATION IM27600

60150800 Rev AW



IE

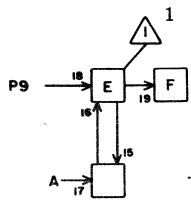
5I10

1	J10	26	11
2	J10	7	7
3	J10	11	7
4	J10	9	7
5	J10	23	7
6	J10	8	7
7	J10	6	5
8			
9	M24	4	23
10	M26	23	25
11			
12			
13	M24	23	25
14	M26	4	25
15			
16	N15	27	25
17	J10	24	7
18	H15	9	11
19	J23	23	17
20	H15	19	11
21	H15	10	11
22	H16	9	11
23	H15	20	11
24	H16	19	11
25	H16	10	11
26			
27	H16	20	11
28	K22	23	17

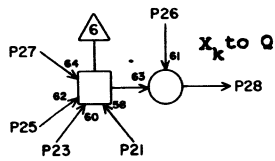
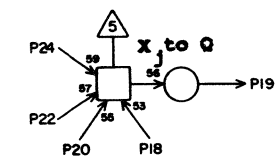
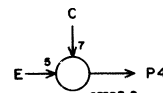
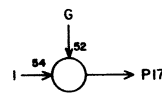
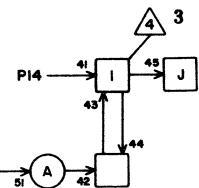
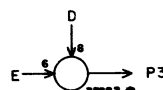
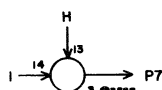
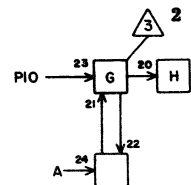
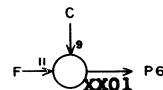
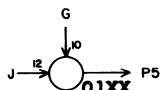
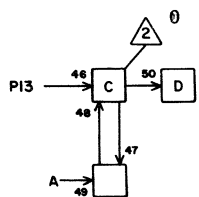
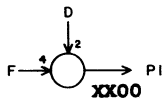
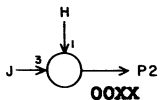
JACK PIN LG

60150800 Rev AW

5I10

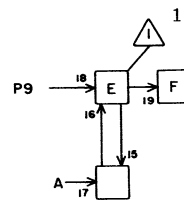


Q
Multiply 1
Operand 1 (J)

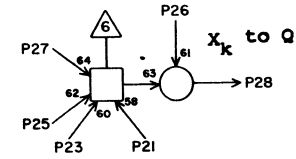
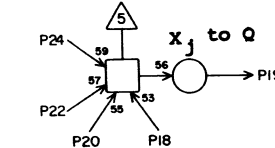
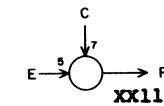
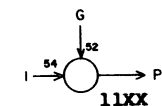
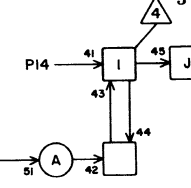
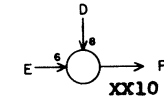
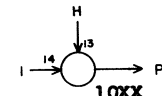
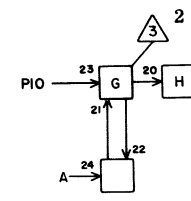
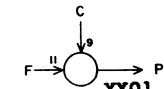
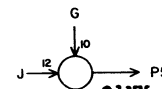
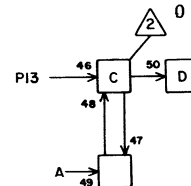
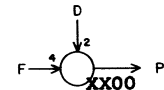
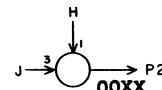


IE **5 I11**

1	J11	26	11
2	J11	7	7
3	J11	11	7
4	J11	9	7
5	J11	23	7
6	J11	8	7
7	J11	6	5
8			
9	M20	12	21
10	M22	18	23
11			
12			
13	M20	18	21
14	M22	12	21
15			
16	N15	15	23
17	J11	24	13
18	H13	7	9
19	J24	21	17
20	H13	21	9
21	H13	8	7
22	H14	7	7
23	H13	22	7
24	H14	21	9
25	H14	8	7
26			
27	H14	22	9
28	K23	21	17
	JACK	PIN	LG

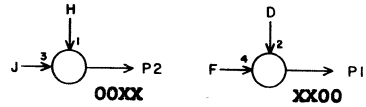
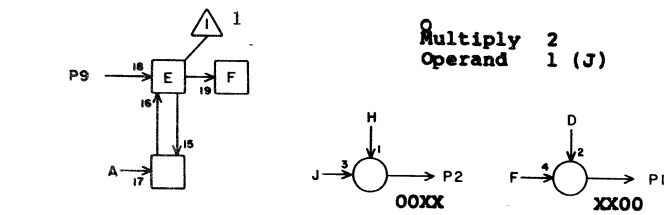


Q
Multiply 1
Operand 2 (K)



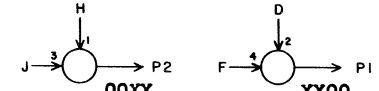
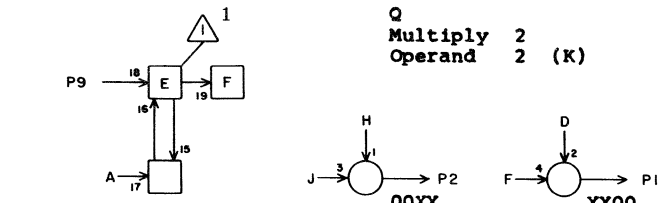
IE **5 I12**

1	J12	26	11
2	J12	7	7
3	J12	11	7
4	J12	9	7
5	J12	23	7
6	J12	8	7
7	J12	6	5
8			
9	M24	12	23
10	M26	18	23
11			
12			
13	M24	18	23
14	M26	12	23
15			
16	N15	28	23
17	J12	24	7
18	H15	7	9
19	J24	23	15
20	H15	21	9
21	H15	8	9
22	H16	7	11
23	H15	22	9
24	H16	21	11
25	H16	8	11
26			
27	H16	22	9
28	K23	23	17
	JACK	PIN	LG



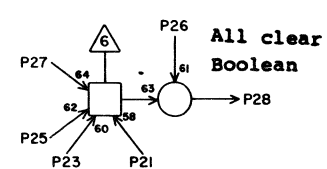
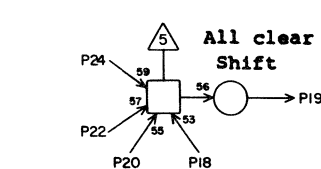
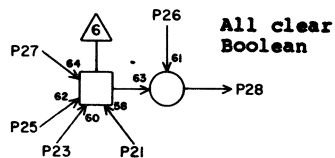
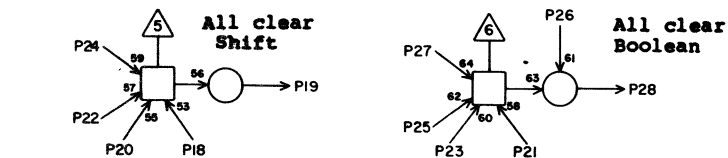
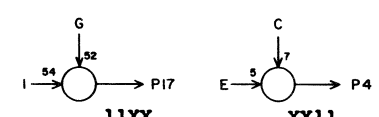
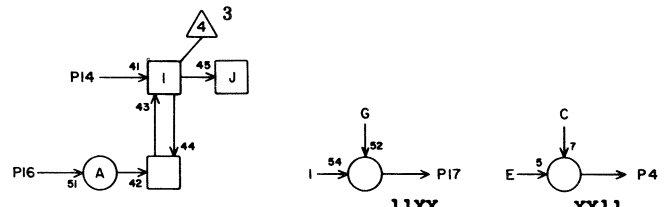
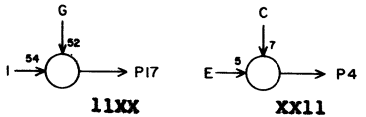
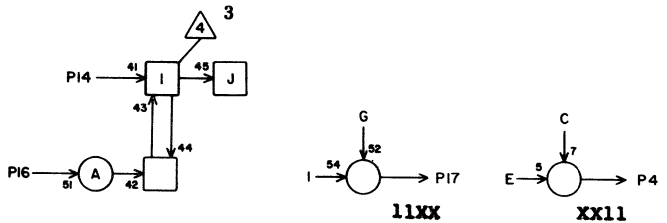
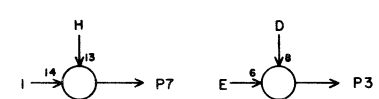
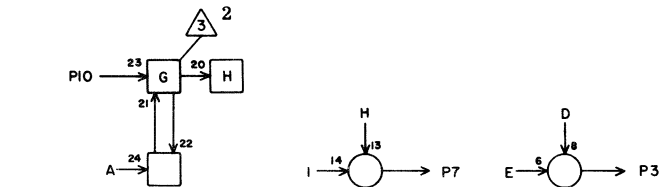
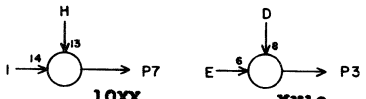
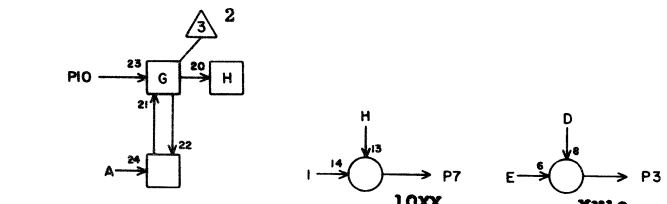
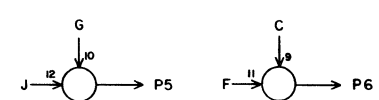
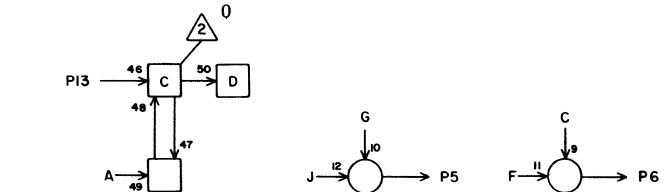
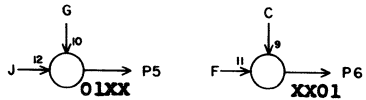
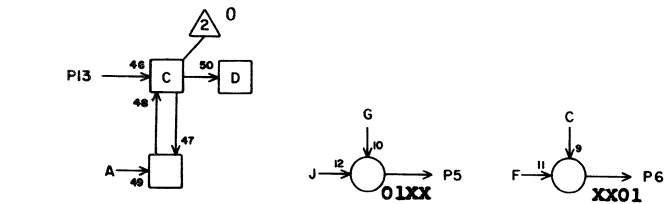
IE **5I13**

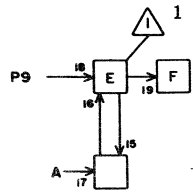
1	J13	26	11
2	J13	7	7
3	J13	11	7
4	J13	9	7
5	J13	23	7
6	J13	8	7
7	J13	6	5
8			
9	M21	2	19
10	M23	10	21
11			
12			
13	M21	10	19
14	M23	2	21
15			
16	N16	3	23
17	J13	24	7
18	M12	8	19
19	J22	2	13
20	M13	8	19
21	M12	12	19
22	M14	8	19
23	M13	12	19
24	M15	8	19
25	M14	12	19
26	GRD	X	2
27	M15	12	17
28	J23	2	13
	JACK	PIN	LG



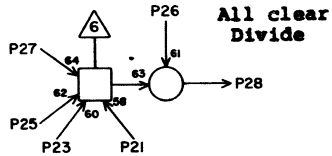
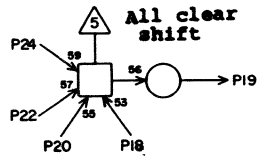
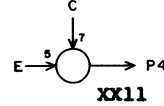
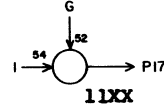
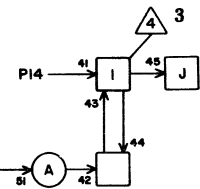
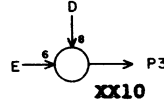
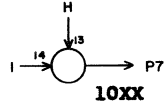
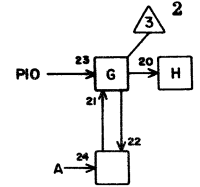
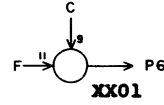
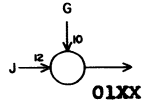
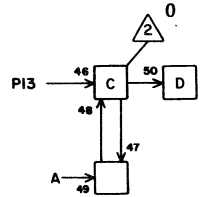
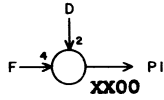
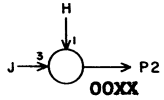
IE **5I14**

1	J14	26	11
2	J14	7	7
3	J14	11	7
4	J14	9	7
5	J14	23	7
6	J14	8	7
7	J14	6	5
8			
9	M25	2	21
10	M27	10	23
11			
12			
13	M25	10	21
14	M27	2	23
15			
16	N16	6	23
17	J14	24	7
18	M16	8	19
19	J22	3	13
20	M17	8	19
21	M16	12	19
22	M18	8	19
23	M17	12	19
24	M19	8	19
25	M18	12	19
26	GRD	X	2
27	M19	12	19
28	J23	3	13
	JACK	PIN	LG





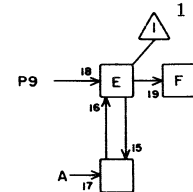
Q
Long add
Operand 1 (J)



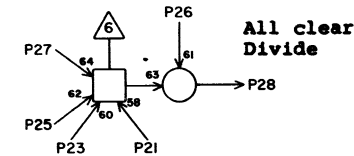
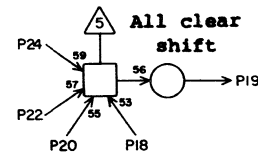
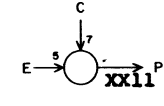
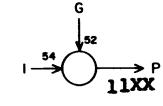
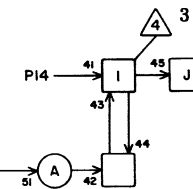
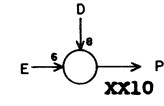
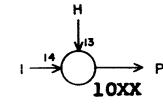
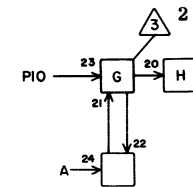
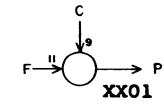
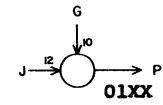
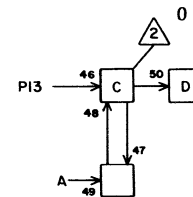
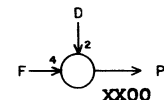
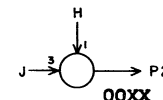
IE **5I15**

1	J15	26	11
2	J15	7	7
3	J15	11	7
4	J15	9	7
5	J15	23	7
6	J15	8	7
7	J15	6	5
8			
9	M21	14	21
10	M23	11	21
11			
12			
13	M21	11	19
14	M23	14	21
15			
16	N16	16	23
17	J15	24	7
18	N17	6	21
19	J22	10	11
20	N17	19	23
21	M12	14	19
22	N18	6	21
23	M13	14	19
24	N18	19	23
25	M14	14	19
26	GRD	X	2
27	M15	14	17
28	J24	2	13

JACK PIN LG



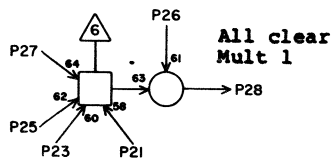
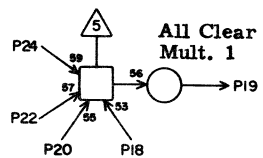
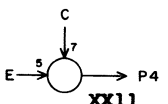
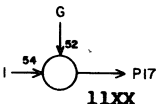
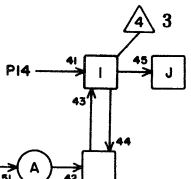
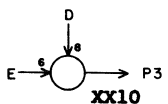
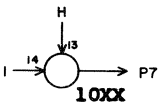
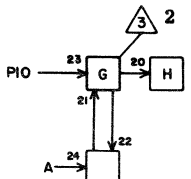
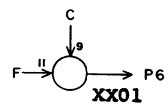
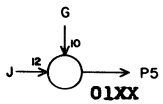
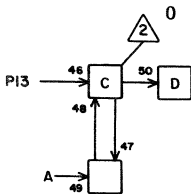
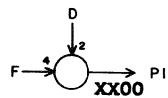
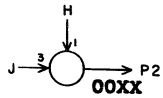
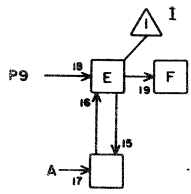
Q
Long Add
Operand 2 (k)



IE **5I16**

1	J16	26	11
2	J16	7	7
3	J16	11	7
4	J16	9	7
5	J16	23	7
6	J16	8	7
7	J16	6	5
8			
9	M25	14	21
10	M27	11	23
11			
12			
13	M25	11	21
14	M27	14	23
15			
16	N16	27	23
17	J16	24	7
18	N19	6	23
19	J22	18	11
20	N19	19	23
21	M16	14	19
22	N20	6	23
23	M17	14	19
24	N20	19	23
25	M18	14	19
26	GRD	X	2
27	M19	14	19
28	J24	3	13

JACK PIN LG

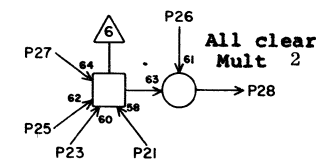
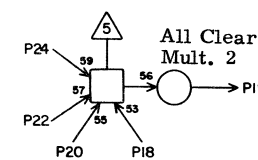
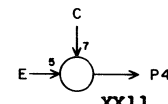
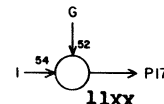
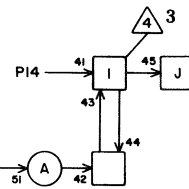
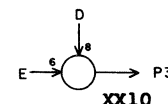
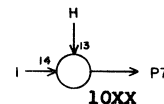
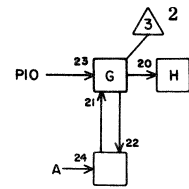
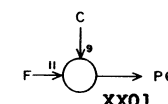
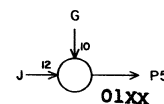
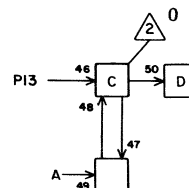
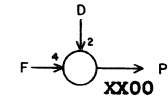
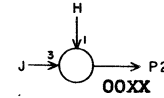
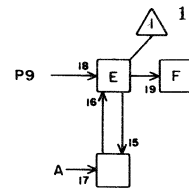


IE 5117

1	J17	26	11
2	J17	7	7
3	J17	11	7
4	J17	9	7
5	J17	23	7
6	J17	8	7
7	J17	6	5
8			
9	M21	16	21
10	M23	13	21
11			
12			
13	M21	13	19
14	M23	16	21
15			
16	N16	4	23
17	J17	24	7
18	M16	18	19
19	J25	3	13
20	M17	18	19
21	M12	18	19
22	M18	18	19
23	M13	18	19
24	M19	18	19
25	M14	18	19
26	GRD	X	2
27	M15	18	19
28	J25	2	13

JACK PIN LG

60150800 Rev. AW



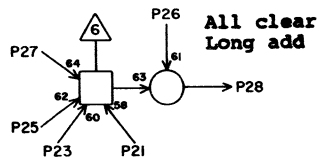
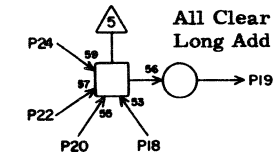
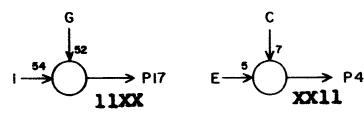
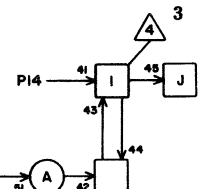
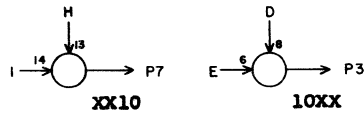
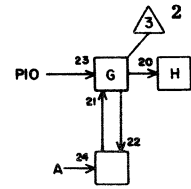
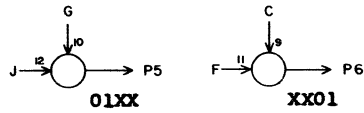
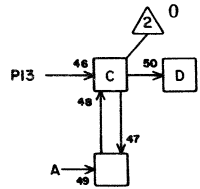
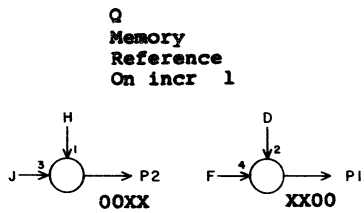
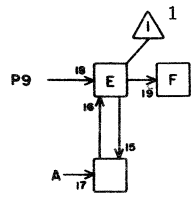
IE 5118

1	J18	26	11
2	J18	7	7
3	J18	11	7
4	J18	9	7
5	J18	23	7
6	J18	8	7
7	J18	6	5
8			
9	M25	16	21
10	M27	13	21
11			
12			
13	M25	13	21
14	M27	16	21
15			
16	N16	5	23
17	J18	24	7
18	M16	22	19
19	K21	3	11
20	M17	22	19
21	M12	22	19
22	M18	22	19
23	M13	22	19
24	M19	22	19
25	M14	22	19
26	GRD	X	2
27	M15	22	19
28	K21	2	11

JACK PIN LG

60150800 Rev. AW

5118

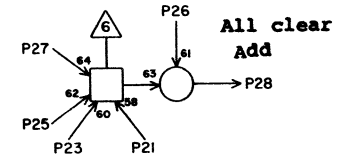
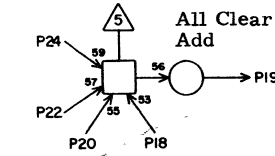
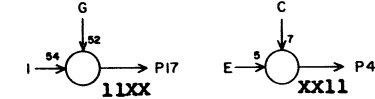
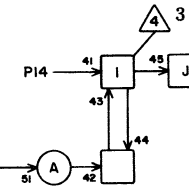
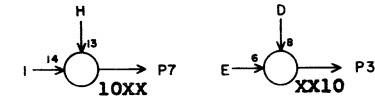
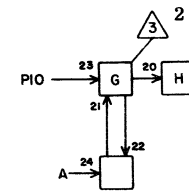
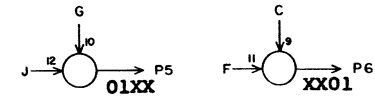
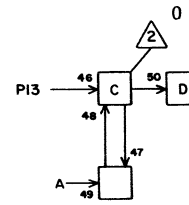
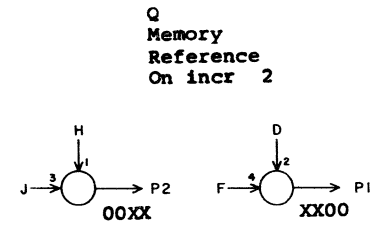
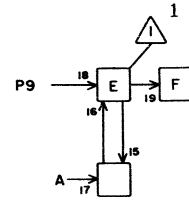


IE 5119

1	J19	26	11
2	J19	7	7
3	J19	11	7
4	J19	9	7
5	J19	23	7
6	J19	8	7
7	J19	6	5
8			
9	O12	7	27
10	O12	22	27
11			
12			
13	O12	8	27
14	O12	21	27
15			
16	G26	19	15
17	J19	24	7
18	M16	24	19
19	K22	3	11
20	M17	24	19
21	M12	24	19
22	M18	24	19
23	M13	24	21
24	M19	24	19
25	M14	24	19
26	GRD	X	2
27	M15	24	19
28	K22	2	11

JACK PIN LG

60150800 Rev. AW



IE 5120

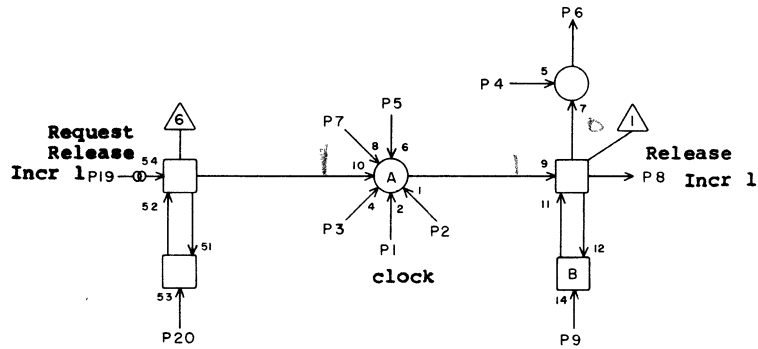
1	J20	26	11
2	J20	7	7
3	J20	11	7
4	J20	9	7
5	J20	23	7
6	J20	8	7
7	J20	6	5
8			
9	O12	3	25
10	O12	26	25
11			
12			
13	O12	4	25
14	O12	25	25
15			
16	G27	17	15
17	J20	24	7
18	M16	26	19
19	K23	3	11
20	M17	26	19
21	M12	26	19
22	M18	26	19
23	M13	26	19
24	M19	26	19
25	M14	26	19
26	GRD	X	2
27	M15	26	19
28	K23	2	11

JACK PIN LG

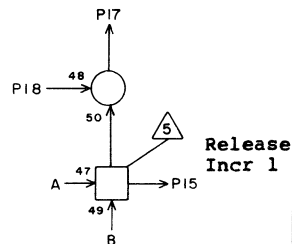
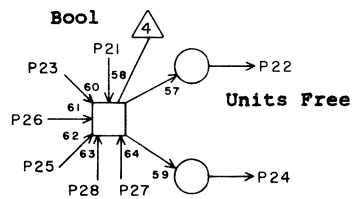
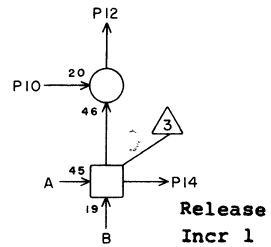
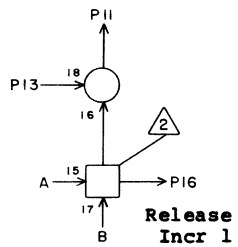
60150800 Rev. AW

Go store.
(clear Incr 1
unit duty)

IL 5121

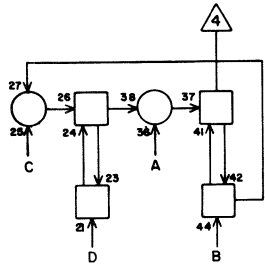


1	H19	15	7
2	M07	2	23
3	M07	13	25
4	P41	17	37
5	M07	15	25
6	G26	27	13
7	M07	28	25
8	I26	21	9
9	H18	12	84
10	GRD	X	2
11	I31	22	13
12	I32	22	15
13	GRD	X	2
14	I28	21	11
15	I29	21	11
16	I27	21	11
17	I33	22	15
18	GRD	X	2
19	E38	25	25
20	I26	18	9
21	F27	1	19
22	F34	12	21
23	F27	24	17
24			
25	F28	1	19
26	F28	24	17
27	F29	1	19
28	F29	24	17

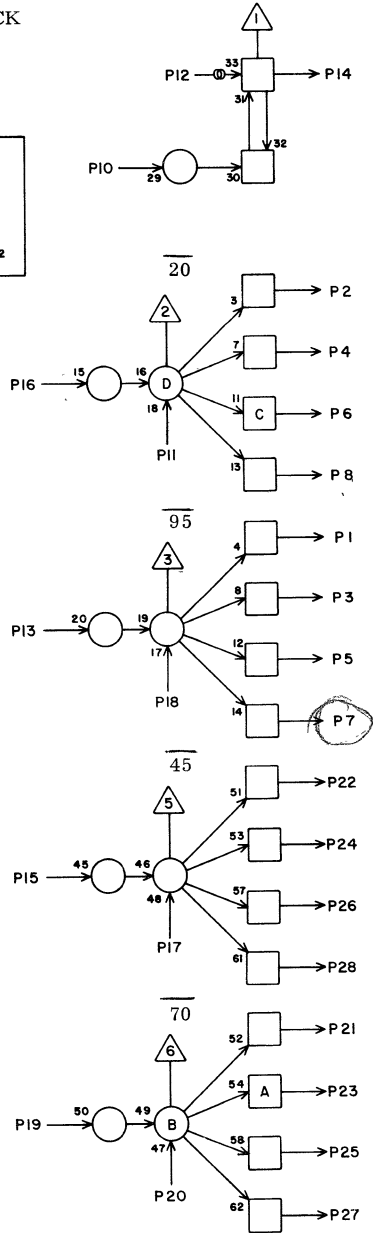


JACK PIN LG

BASIC CLOCK



Serials 1-31 only



Clock

5I22

HQ

5I22

1	I24	1	5
2	I24	2	49
3			
4	I24	25	49
5			
6	H17	3	7
7	N08	14	27
8	P20	25	33
9			
10	I23	22	5
11	I23	5	5
12	W23	902	
13	I23	10	180
14	I23	2	3
15	I23	18	180
16	I23	7	180
17	I23	16	5
18	I23	8	5
19	I23	17	180
20	I23	15	5
21	I25	25	7
22	I25	2	49
23	Q32	1	132
24	H18	3	11
25	E29	14	21
26	G19	3	84
27	H18	14	11
28	I25	1	49

60150800 Rev. AH

LS 63046200
ASSY

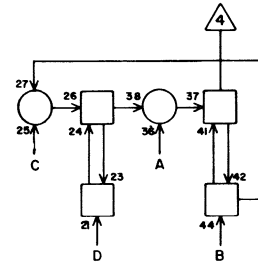
E
REV

Serials 32 and Up Only

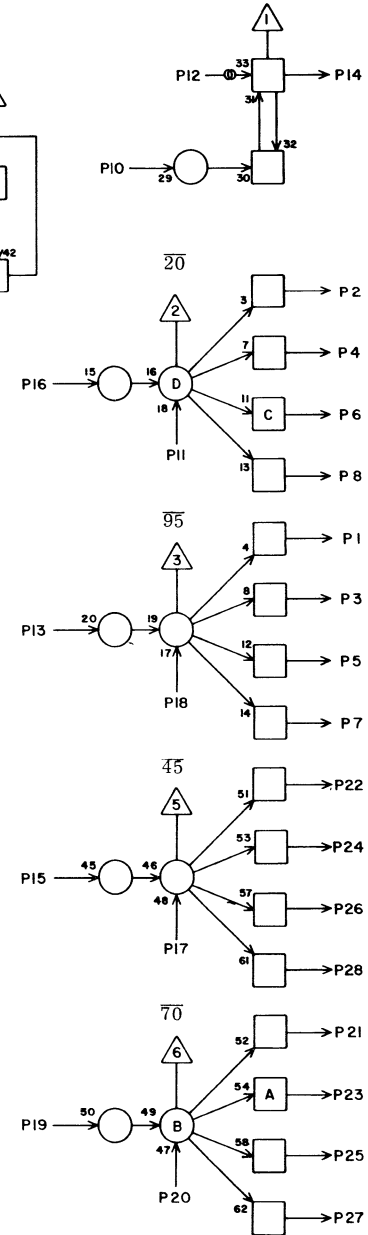
HQ

5I22

BASIC CLOCK



CLOCK



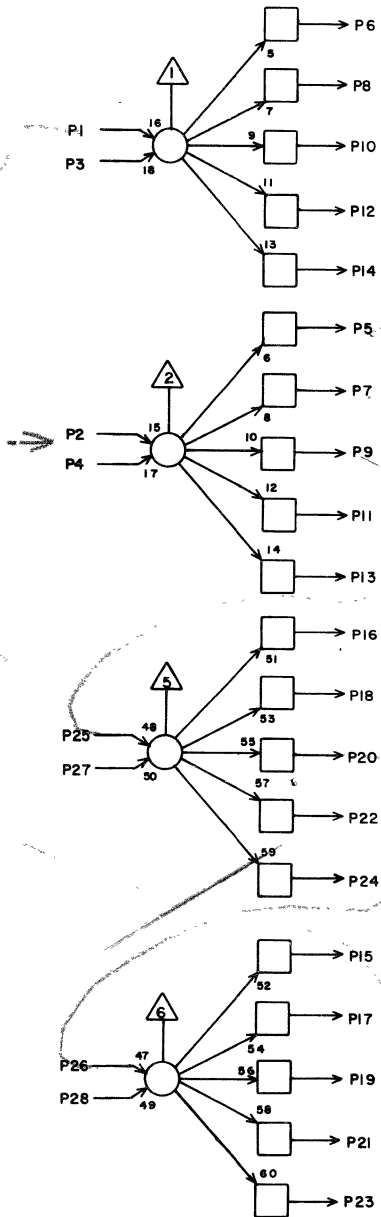
1	I24	1	5
2	I24	2	49
3			
4	I24	25	49
5			
6	H17	3	7
7	N08	14	27
8	P20	25	33
9			
10	I23	22	5
11	I23	5	5
12	W23	902	
13	I23	7	5
14	I23	2	3
15	I23	17	5
16	I23	18	5
17	I23	16	5
18	I23	8	5
19	I23	10	5
20	I23	15	5
21	I25	25	7
22	I25	2	49
23	Q32	1	132
24	H18	3	11
25	E29	14	21
26	G19	3	84
27	H18	14	11
28	I25	1	49

CIRCUIT SPECIFICATION I1827600

60150800 Rev AP

Serials 1-31 only

CLOCK



Clock

T D 5I23

1	I23	19	84
2	I22	14	3
3	GRD	X	2
4	GRD	X	2
5	I22	11	5
6			
7	I22	16	180
8	I22	18	5
9	I23	25	84
10	I22	13	180
11			
12			
13			
14			
15	I22	20	5
16	I22	17	5
17	I22	19	180
18	I22	15	180
19	I23	1	84
20	I23	26	84
21			
22	I22	10	5
23			
24			
25	I23	9	84
26	I23	20	84
27	GRD	X	2
28	GRD	X	2

JACK PIN LG

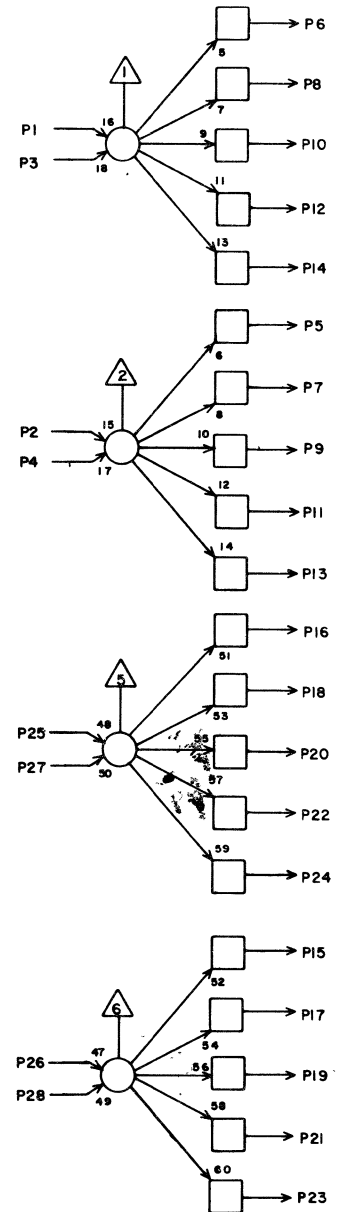
60150800 Rev. AH

LS 63063600
ASSY

C
REV

Serials 32 and Up Only

T D
CLOCK



CLOCK

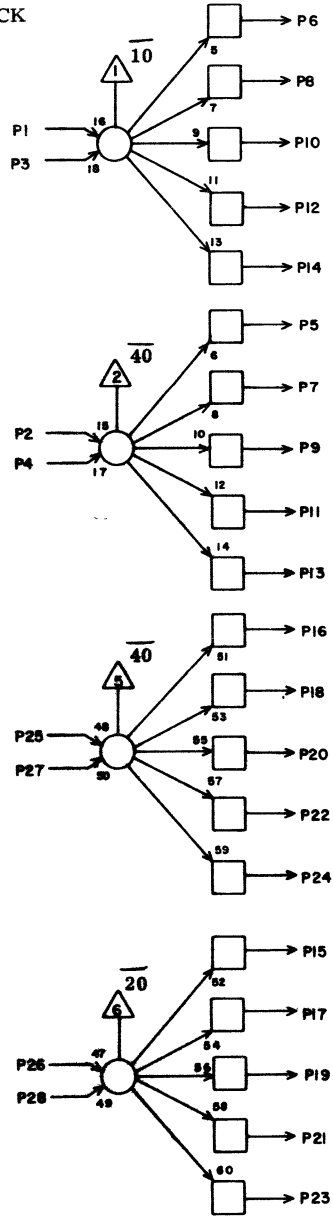
5I23

1	I23	19	84
2	I22	14	3
3	GRD	X	2
4	GRD	X	2
5	I22	11	5
6			
7	I22	13	5
8	I22	18	5
9	I23	25	84
10	I22	19	5
11			
12			
13			
14			
15	I22	20	5
16	I22	17	5
17	I22	15	5
18	I22	16	5
19	I23	1	84
20	I23	26	84
21			
22	I22	10	5
23			
24			
25	I23	9	84
26	I23	20	84
27	GRD	X	2
28	GRD	X	2

JACK PIN LG
CIRCUIT SPECIFICATION 11827600

60150800 Rev. AP

CLOCK



Clock

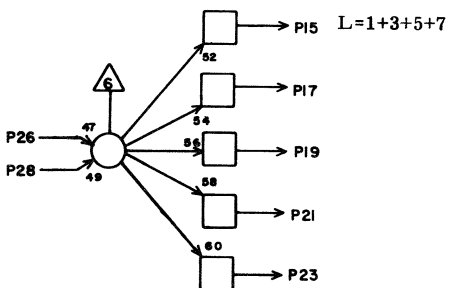
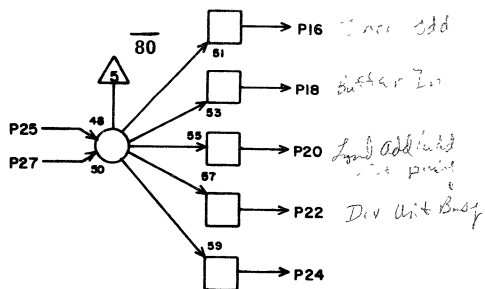
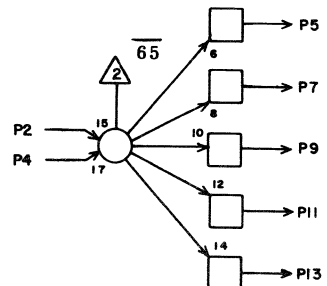
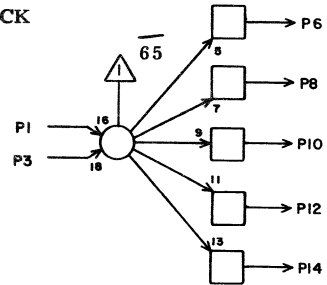
T D

5I24

1	I22	1	5
2	I22	2	49
3			
4			
5			
6	F41	17	96
7	K39	24	19
8	I24	26	3
9			
10	F42	17	96
11			
12	G30	9	84
13			
14	O15	20	29
15	O34	17	35
16			
17	E40	14	25
18	G30	10	60
19	E39	14	25
20	O42	15	31
21	G28	24	108
22			
23	E38	14	23
24	A21	28	108
25	I22	4	49
26	I24	8	3
27			
28			

JACK PIN LG

CLOCK



T D

5I25

1	I22	28	49
2	I22	22	49
3			
4			
5	G29	7	13
6	Q13	16	108
7	F27	14	15
8			
9	F28	14	15
10	A19	18	33
11	A20	16	33
12	A21	16	33
13	A22	16	33
14	K39	14	19
15	A19	19	31
16	G29	22	13
17	G28	16	13
18	E29	3	19
19			
20	F29	14	17
21			
22	F30	14	17
23			
24			
25	I22	21	7
26	H28	3	9
27			
28			

JACK PIN LG

60150800 Rev. AV

LS 63049200

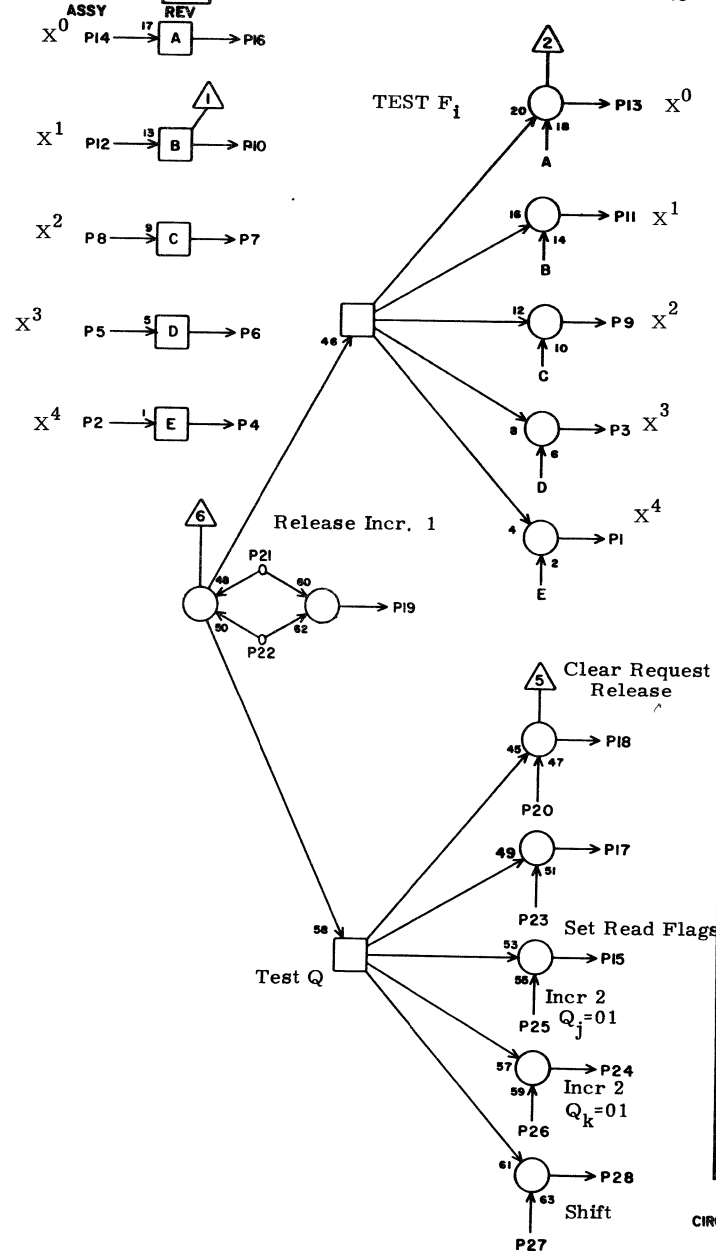
C

Incr, 1 Result Reg.

CLEAR XBA

IU

5I26



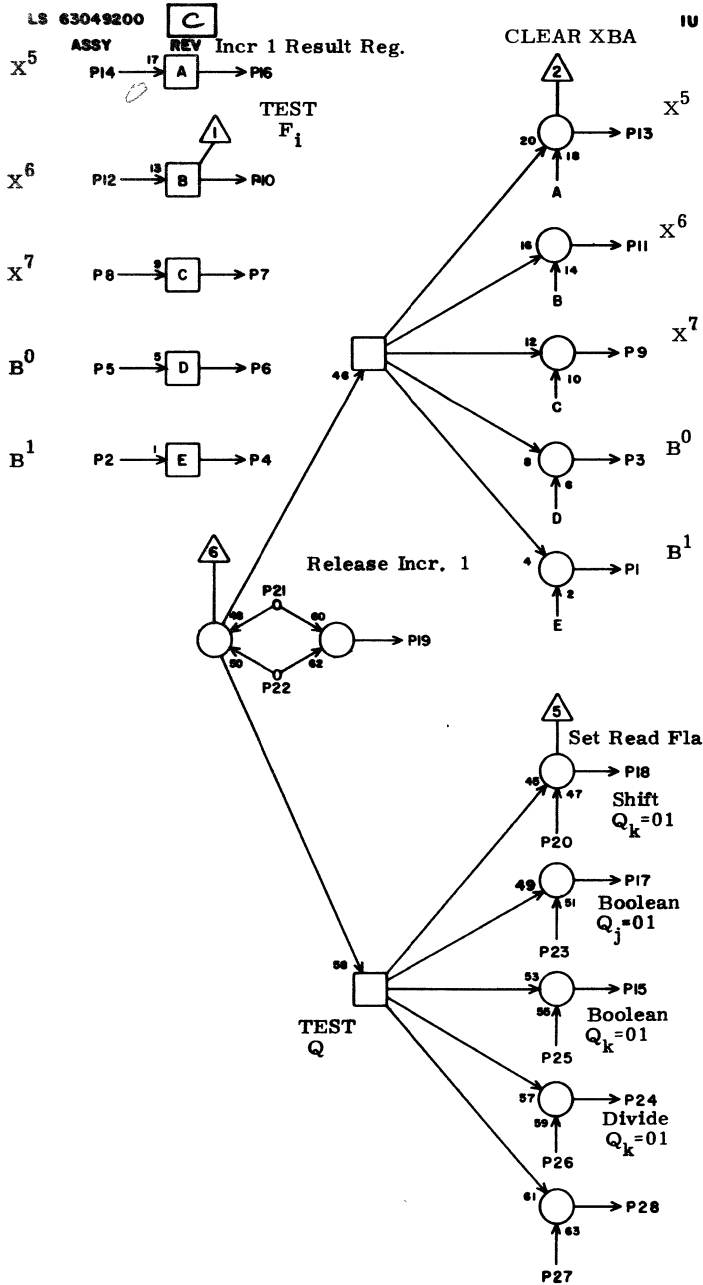
1	K26	12	13
2	F05	3	25
3	J32	12	11
4	M16	2	21
5	F05	21	25
6	M15	2	21
7	M14	2	23
8	F05	15	25
9	J30	12	9
10	M13	2	23
11	J28	12	9
12	F05	28	25
13	J26	12	9
14	F05	17	25
15	K03	2	25
16	M12	2	23
17	O19	13	27
18	I21	20	9
19	J38	17	156
20			
21	I21	8	9
22			
23			
24	K04	2	23
25	J03	1	25
26	J04	1	23
27	J05	1	23
28	K05	10	23

JACK PIN LG

CIRCUIT SPECIFICATION 11827600

60150800 Rev B

L Count
Bit 0

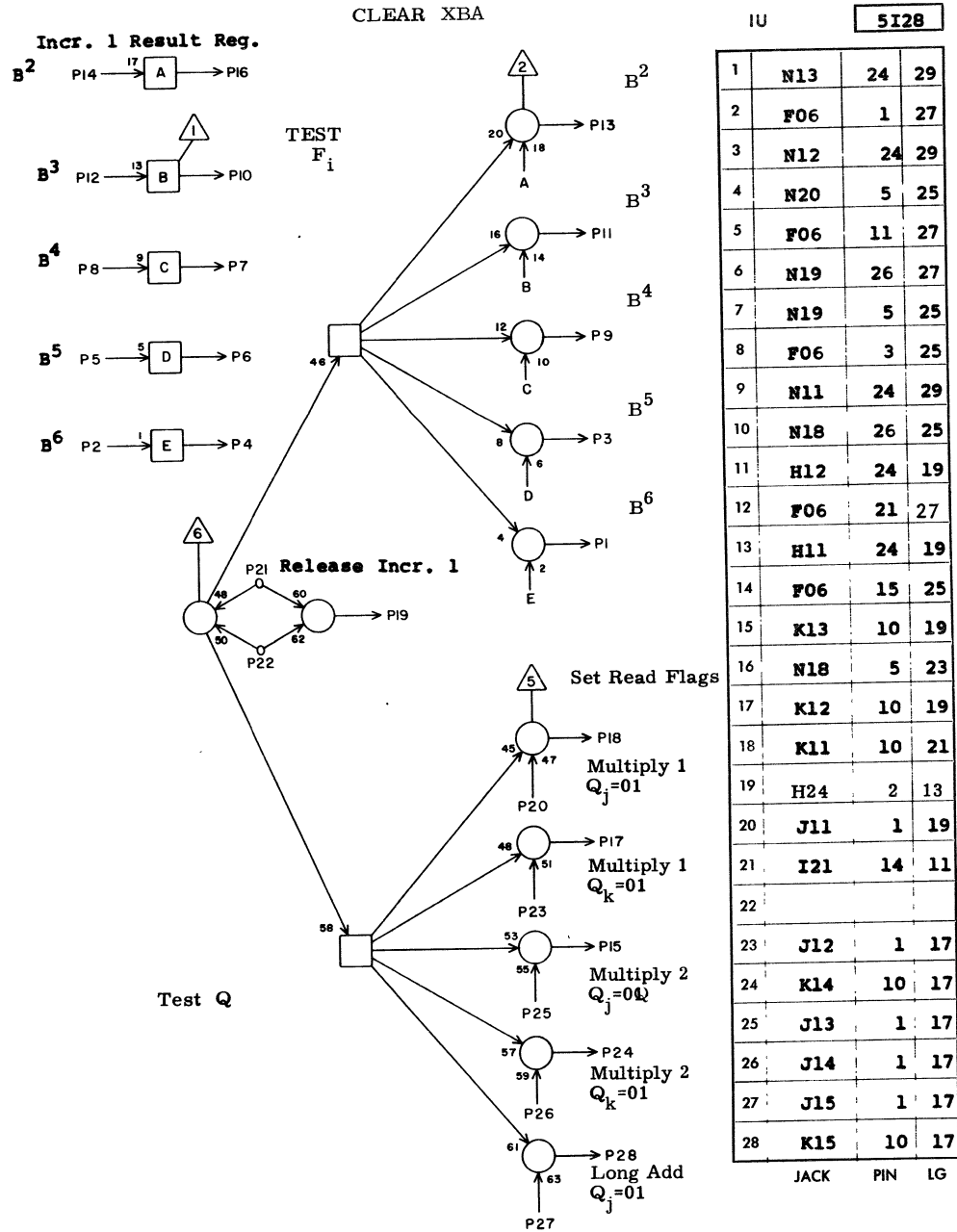


5127

1	H10	24	19
2	F06	28	21
3	H09	24	21
4	N17	26	25
5	F06	17	25
6	N17	5	25
7	M19	2	19
8	F05	13	27
9	K32	12	13
10	M18	2	21
11	K30	12	13
12	F05	1	27
13	K28	12	13
14	F05	11	25
15	K08	10	23
16	M17	2	21
17	K07	10	23
18	K06	10	23
19	I30	22	5
20	J06	1	23
21	I21	16	11
22			
23	J07	1	21
24	K09	10	21
25	J08	1	21
26	J09	1	19
27	J10	1	19
28	K10	10	19

JACK PIN LG
 CIRCUIT SPECIFICATION 11827600

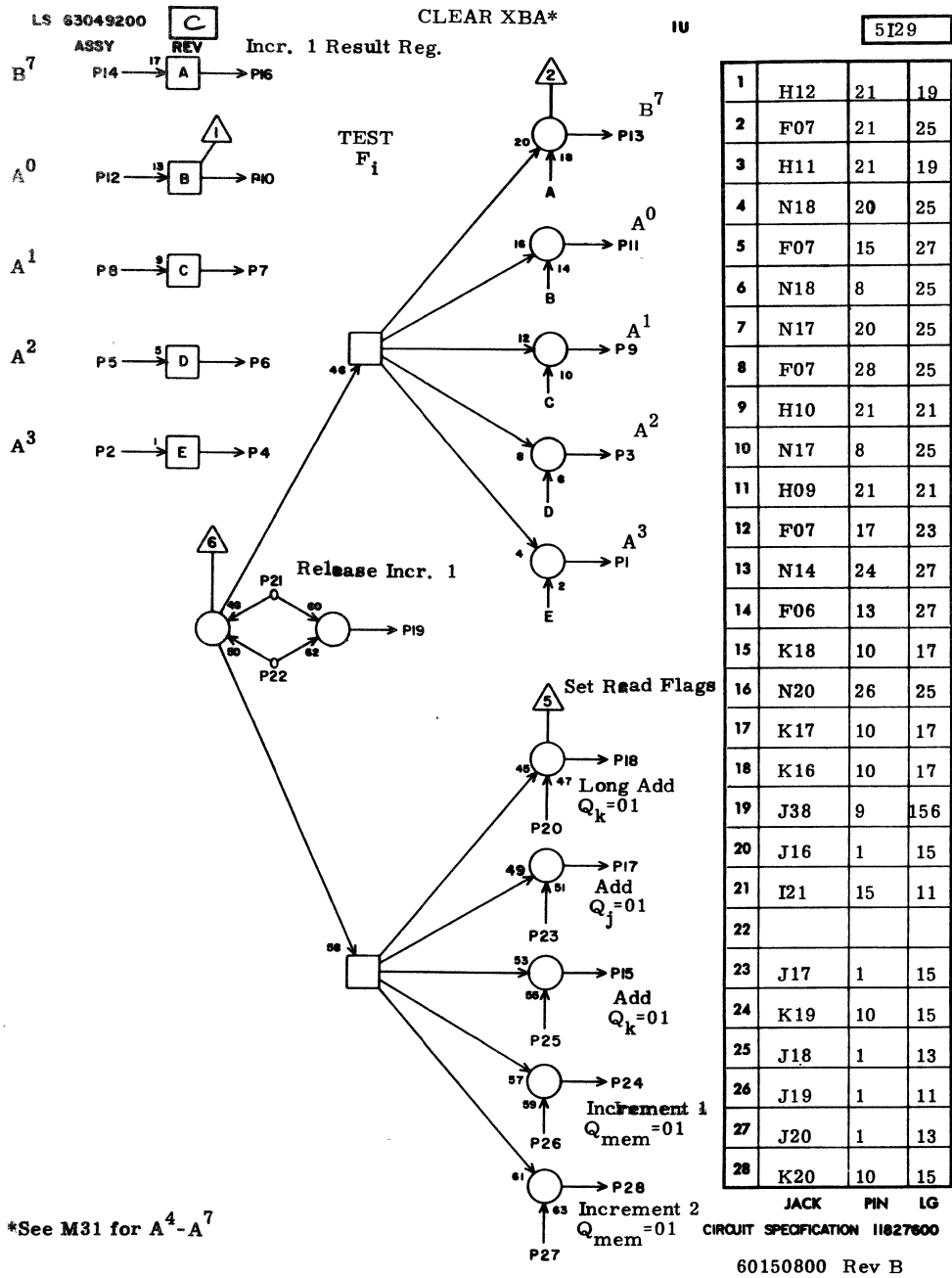
60150800 Rev B



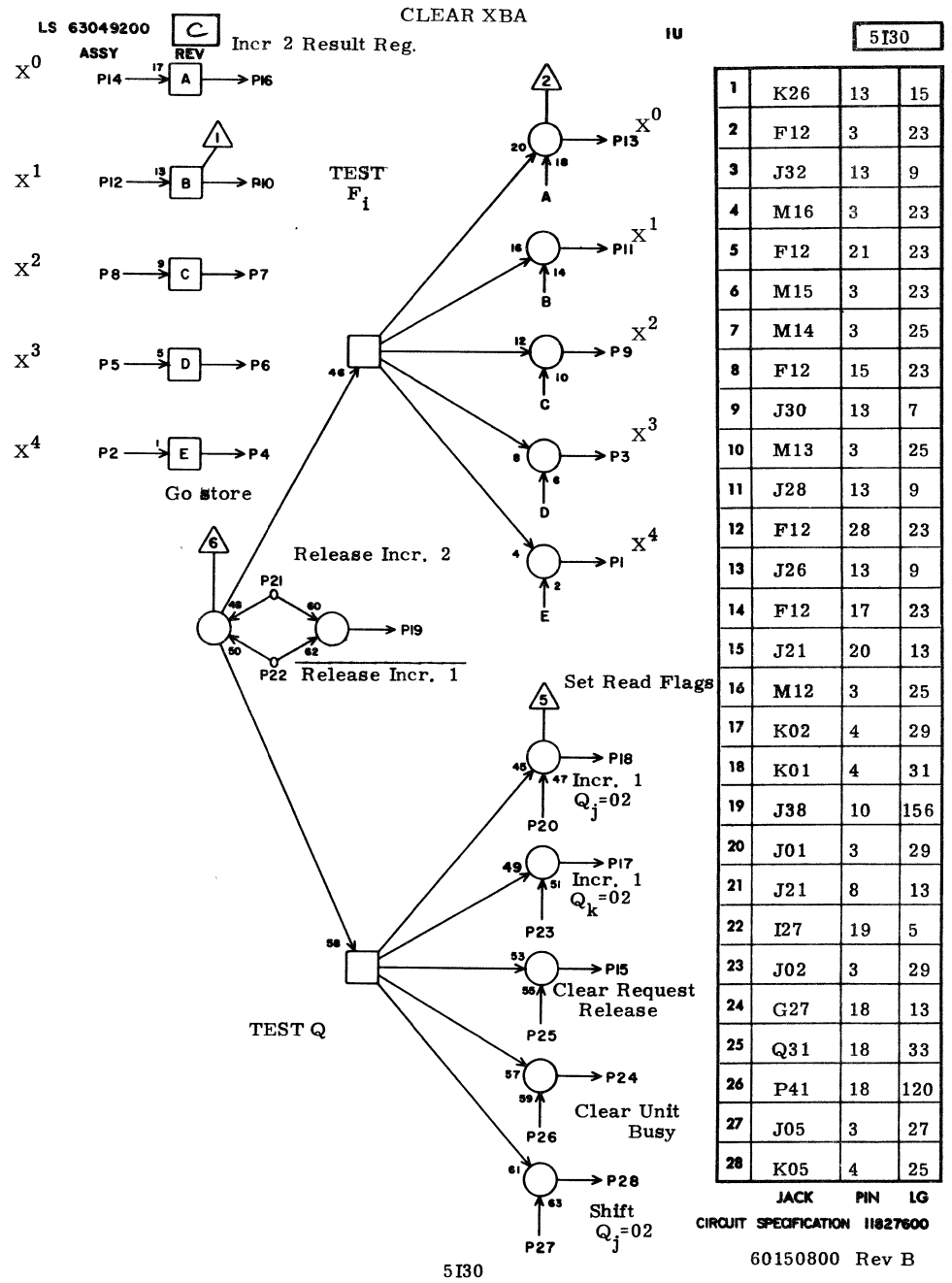
1	N13	24	29
2	F06	1	27
3	N12	24	29
4	N20	5	25
5	F06	11	27
6	N19	26	27
7	N19	5	25
8	F06	3	25
9	N11	24	29
10	N18	26	25
11	H12	24	19
12	F06	21	27
13	H11	24	19
14	F06	15	25
15	K13	10	19
16	N18	5	23
17	K12	10	19
18	K11	10	21
19	H24	2	13
20	J11	1	19
21	I21	14	11
22			
23	J12	1	17
24	K14	10	17
25	J13	1	17
26	J14	1	17
27	J15	1	17
28	K15	10	17

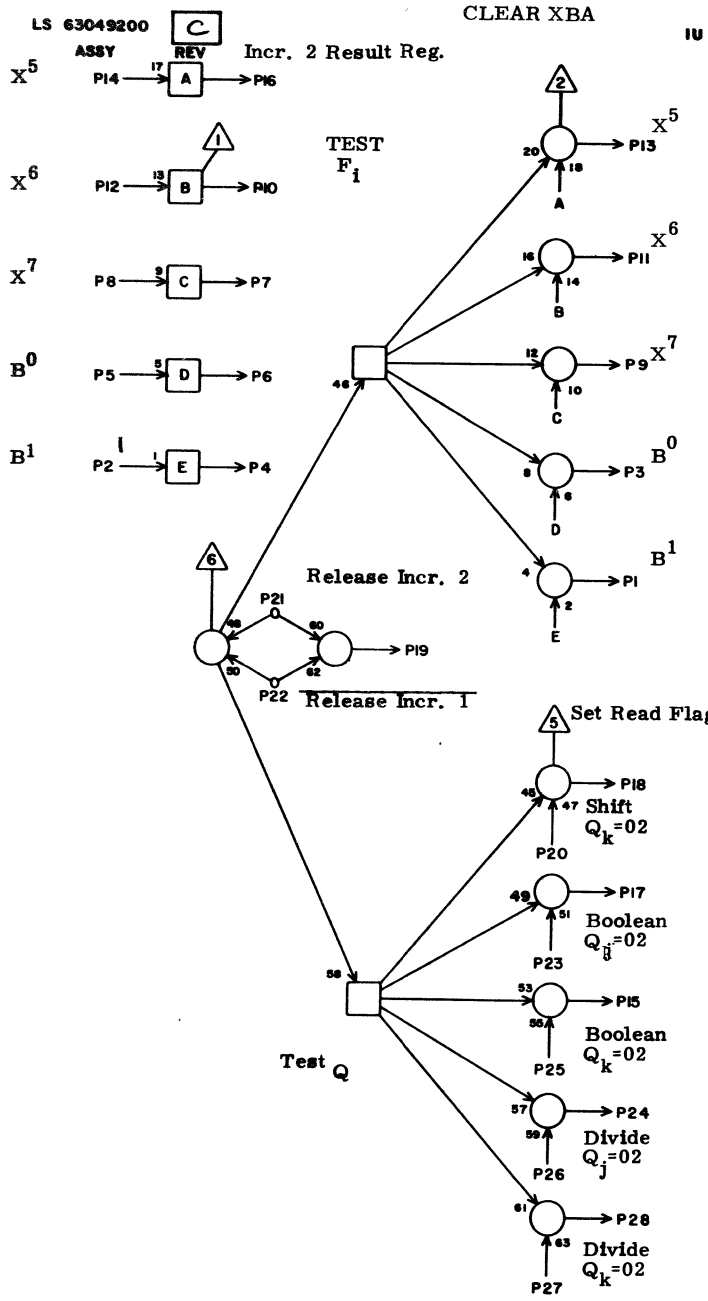
JACK PIN LG

60150800 Rev. AG



*See M31 for A⁴-A⁷



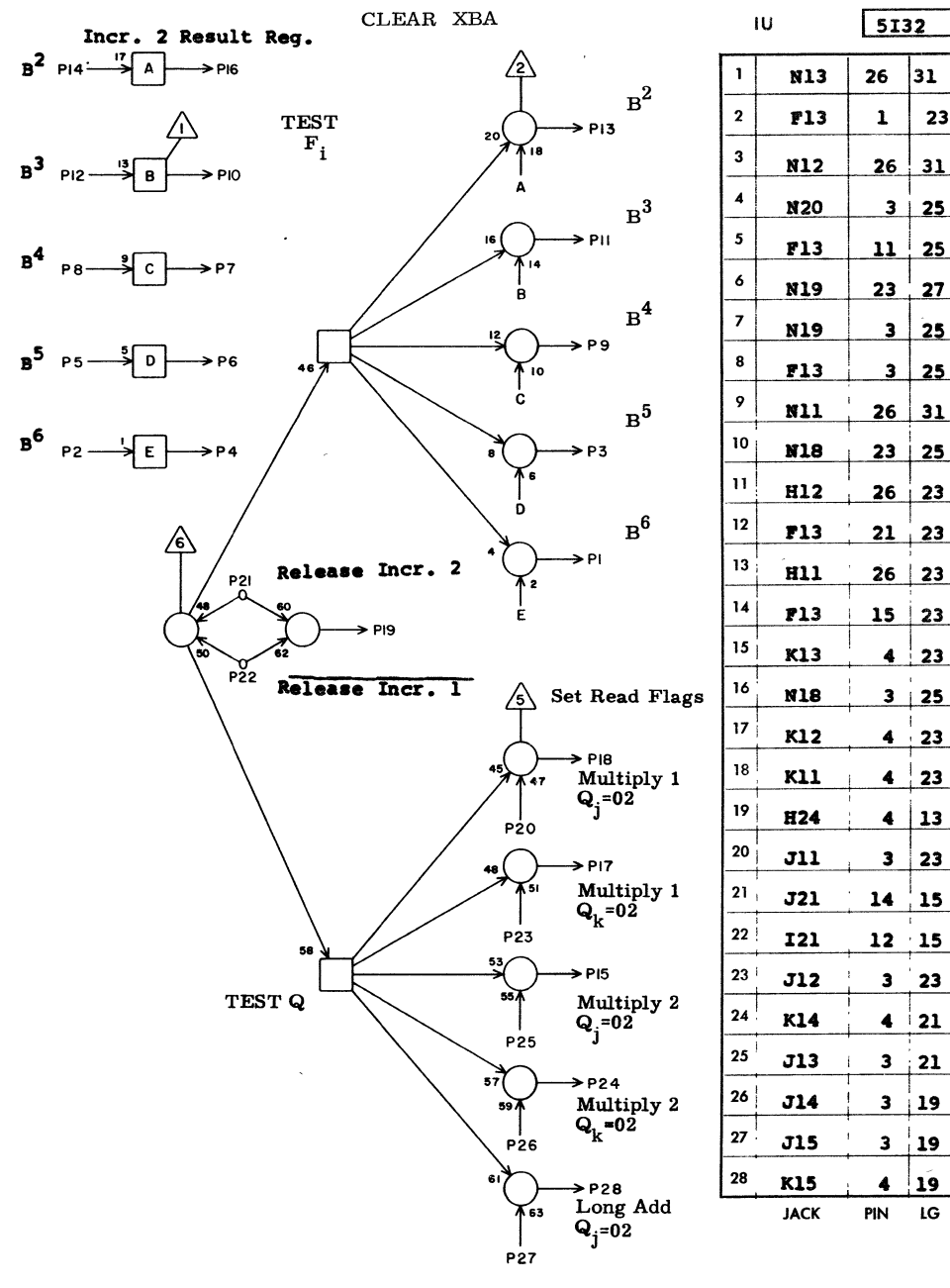


5I31

1	H10	26	23
2	F13	28	23
3	H09	26	23
4	N17	23	27
5	F13	17	23
6	N17	3	25
7	M19	3	23
8	F12	13	23
9	K32	13	13
10	M18	3	23
11	K30	13	13
12	F12	1	25
13	K28	13	13
14	F12	11	23
15	K08	2	25
16	M17	3	23
17	K07	4	23
18	K06	4	27
19	J38	18	156
20	J06	3	27
21	J21	16	15
22	I21	11	13
23	J07	3	23
24	K09	4	23
25	J08	3	25
26	J09	3	23
27	J10	3	23
28	K10	4	23

JACK PIN LG
 CIRCUIT SPECIFICATION 11827600

60150800 Rev B

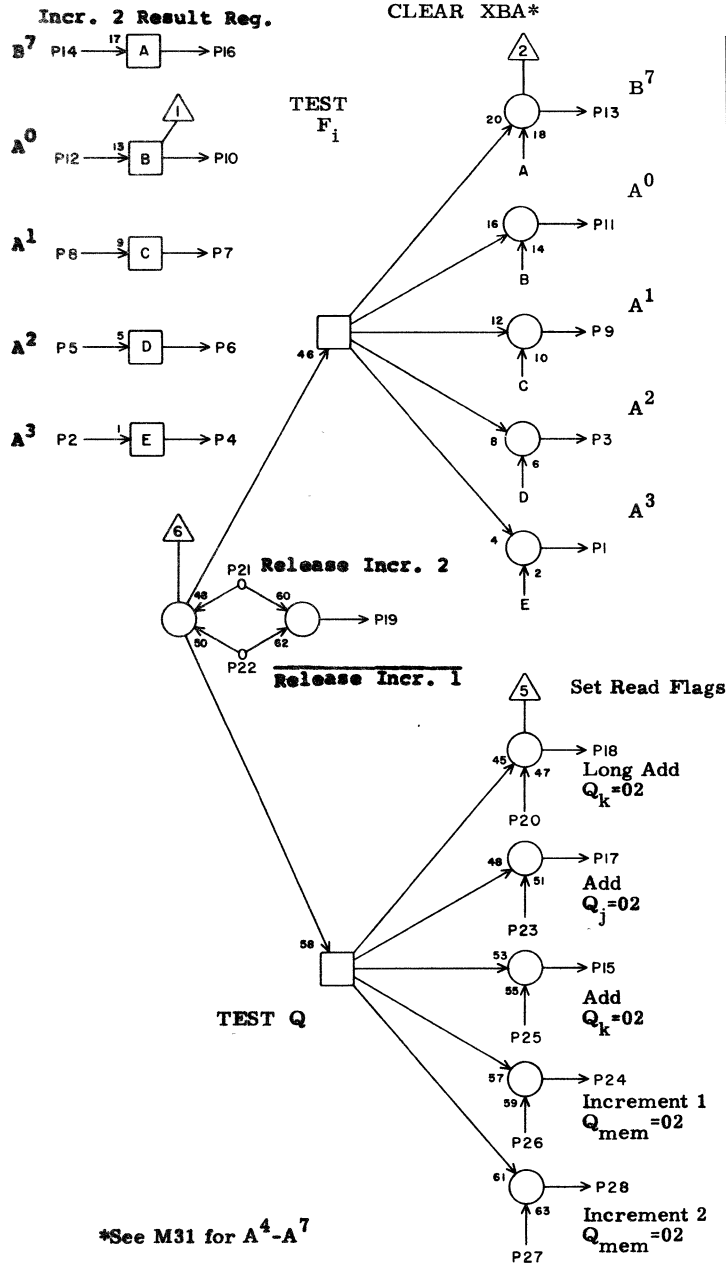


5I32

1	N13	26	31
2	F13	1	23
3	N12	26	31
4	N20	3	25
5	F13	11	25
6	N19	23	27
7	N19	3	25
8	F13	3	25
9	N11	26	31
10	N18	23	25
11	H12	26	23
12	F13	21	23
13	H11	26	23
14	F13	15	23
15	K13	4	23
16	N18	3	25
17	K12	4	23
18	K11	4	23
19	H24	4	13
20	J11	3	23
21	J21	14	15
22	I21	12	15
23	J12	3	23
24	K14	4	21
25	J13	3	21
26	J14	3	19
27	J15	3	19
28	K15	4	19

JACK PIN LG

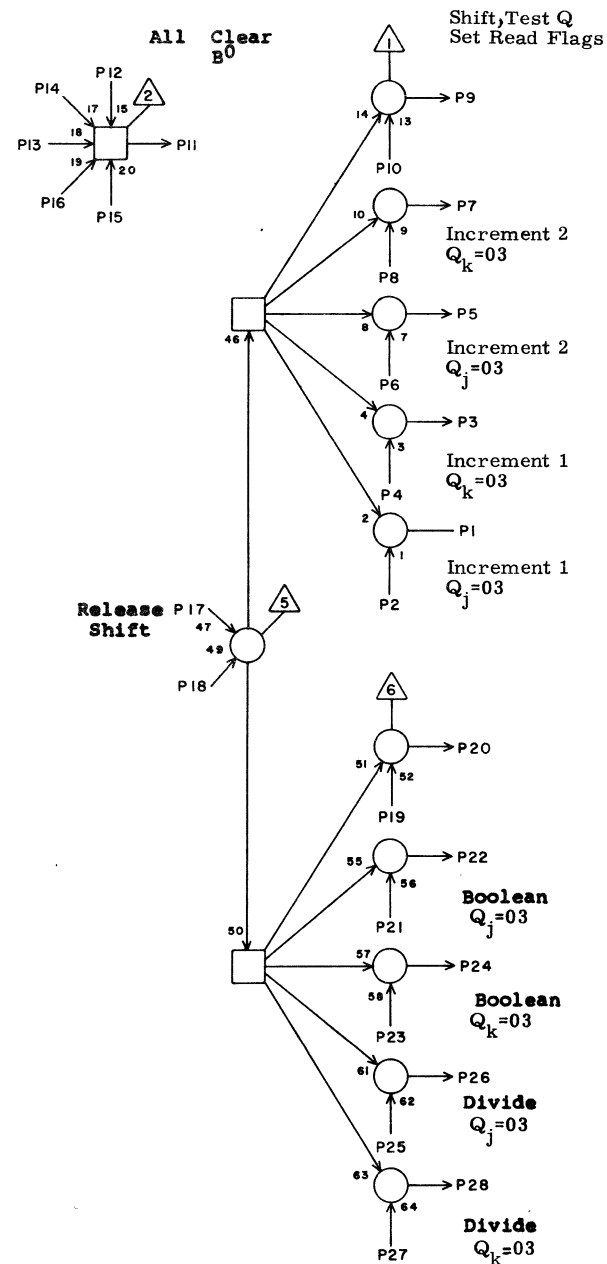
60150800 Rev. B



*See M31 for A⁴-A⁷

IU		5I33	
1	H12	23	23
2	F14	21	23
3	H11	23	23
4	N18	14	25
5	F14	15	23
6	N18	12	27
7	N17	14	29
8	F14	28	23
9	H10	23	25
10	N17	12	27
11	H09	23	25
12	F14	17	23
13	N14	26	31
14	F13	13	25
15	K18	4	19
16	N20	23	27
17	K17	4	21
18	K16	4	21
19	R32	24	37
20	J16	3	19
21	J21	15	15
22	I21	17	15
23	J17	3	19
24	K19	4	19
25	J18	3	17
26	J19	3	17
27	J20	3	17
28	K20	4	17
	JACK	PIN	LG

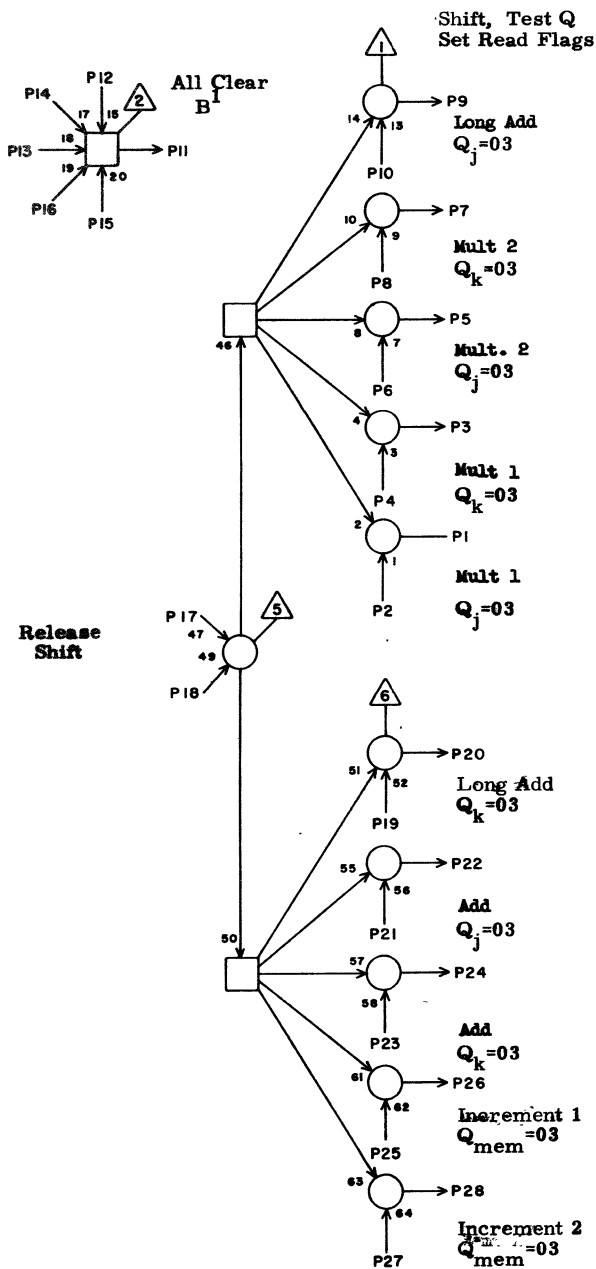
60150800 Rev. K



5I34

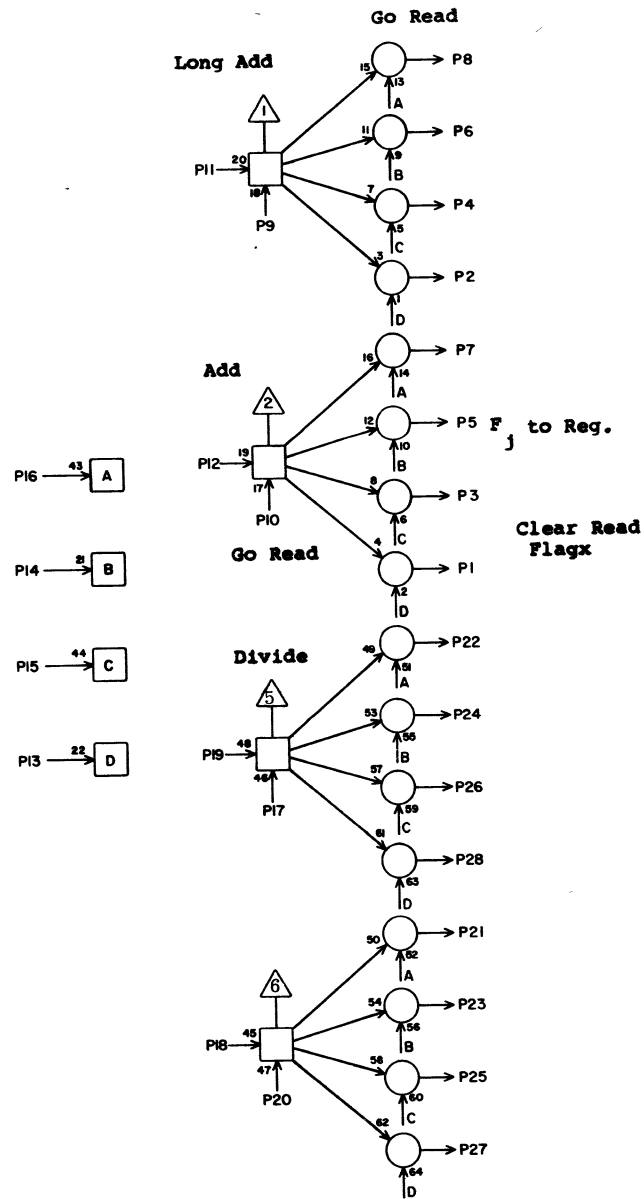
IU		5I34	
1	K01	5	33
2	J01	5	33
3	K02	5	33
4	J02	5	31
5	K03	5	31
6	J03	5	31
7	K04	5	31
8	J04	5	31
9	J36	18	120
10			
11			
12	L02	1	33
13	L04	1	31
14	L06	1	31
15	L08	1	29
16	L09	1	27
17	J22	8	17
18			
19			
20			
21	J07	5	27
22	K07	12	27
23	J08	5	27
24	K08	12	27
25	J09	5	27
26	K09	12	27
27	J10	5	25
28	K10	12	25
	JACK	PIN	LG

60150800 Rev. B



IJ		5I35	
1	K11	12	27
2	J11	5	25
3	K12	12	27
4	J12	5	25
5	K13	12	25
6	J13	5	23
7	K14	12	23
8	J14	5	23
9	K15	12	23
10	J15	5	23
11	N17	25	29
12	L02	7	33
13	L04	7	33
14	L06	7	31
15	L08	7	29
16	L09	7	29
17	J22	16	17
18			
19	J16	5	21
20	K16	12	21
21	J17	5	21
22	K17	12	21
23	J18	5	19
24	K18	12	21
25	J19	5	19
26	K19	12	19
27	J20	5	17
28	K20	12	19
	JACK	PIN	LG

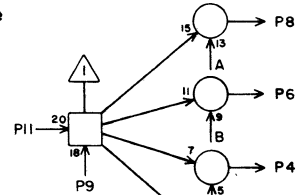
60150800 Rev. B



IR		5I36	
1	L21	18	23
2	L19	18	23
3	L22	18	21
4	L20	18	23
5	K42	8	13
6			
7	K41	8	13
8	K42	4	13
9	H22	24	17
10	H22	5	17
11	N29	11	25
12	N29	9	23
13	Q32	7	33
14	C26	5	29
15	Q32	5	33
16	C28	5	29
17	H23	5	15
18			
19	N29	13	23
20	N29	1	23
21			
22	J41	10	7
23			
24	J42	10	11
25			
26	L14	18	27
27			
28	L13	18	27
	JACK	PIN	LG

60150800 Rev. A

Go Store



Shift



Boolean



Divide



Mult 1



F_j Reg.

Clear
Unit Busy

Clear Reg. Rel

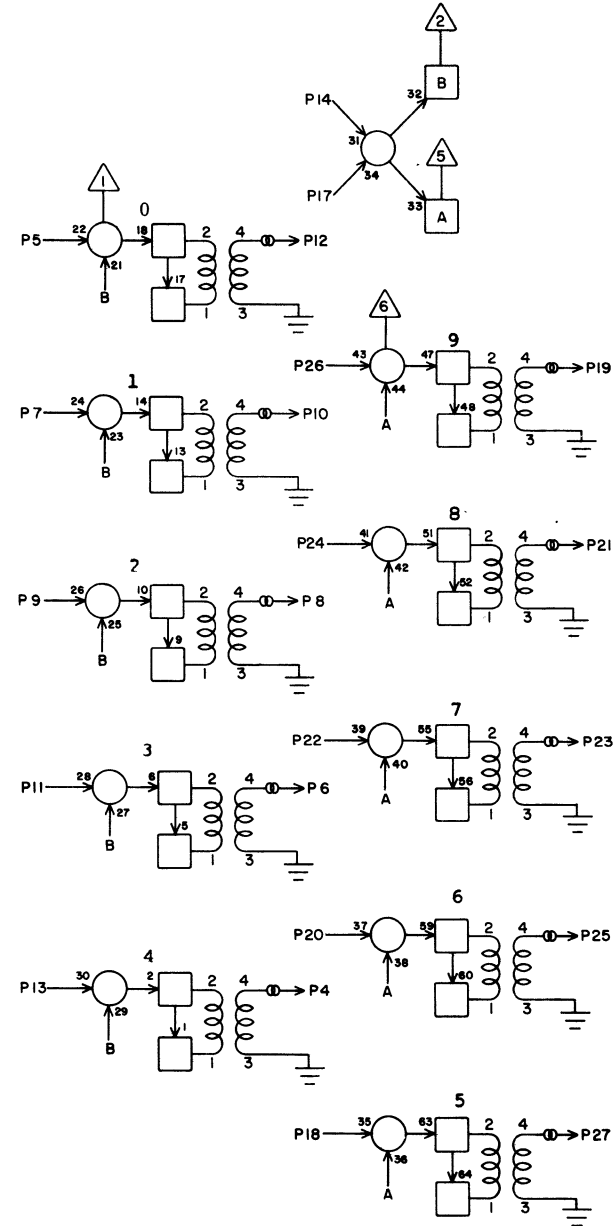
IR 5I37

1	G03	8	33
2			
3	H38	10	120
4			
5	F27	11	19
6	F27	16	17
7	J23	20	17
8	J22	20	19
9	L28	1	17
10	L30	1	17
11	N30	6	23
12	N30	7	23
13	D36	5	23
14	D37	5	23
15	D38	5	23
16	D39	5	23
17	L31	1	15
18	L32	1	15
19	N30	4	23
20	N30	9	23
21	G09	8	29
22	G06	8	31
23	F28	16	19
24	F30	16	17
25	J25	20	15
26	J24	20	17
27	H38	4	120
28	H38	8	120

JACK PIN LG

60150800 Rev. AW

S REGISTER TO WRITE DIST.



JQ 5I38

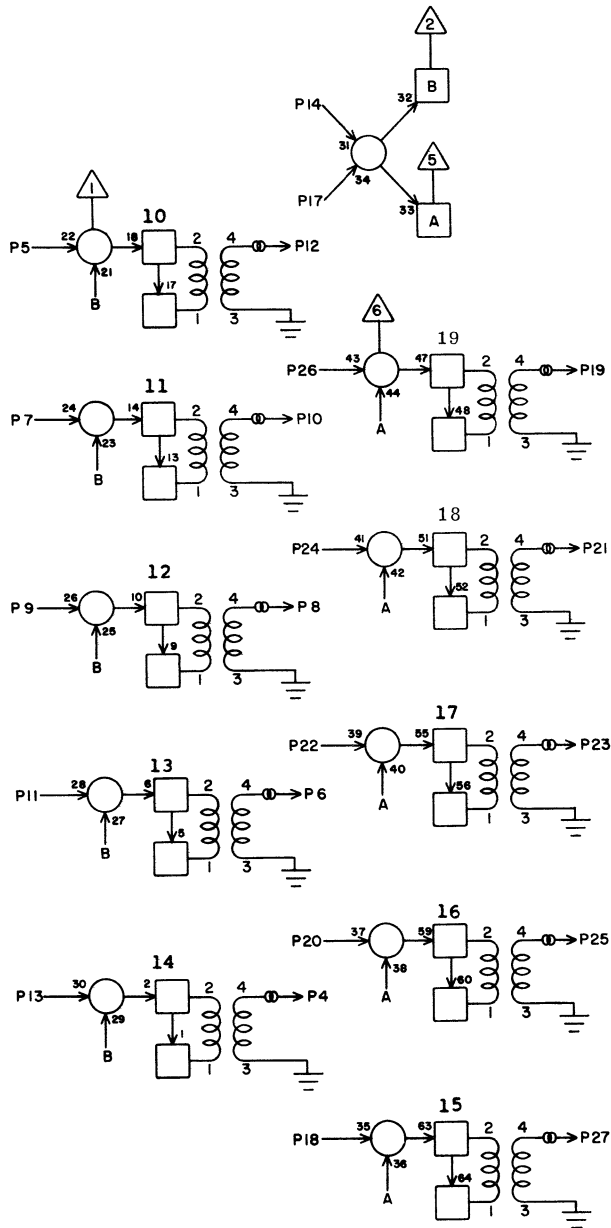
1			
2			
3			
4	W27	94	
5	M11	13	33
6	W27	93	
7	M11	17	31
8	W27	92	
9	M11	12	31
10	W27	91	
11	M11	16	33
12	W27	90	
13	M11	18	33
14	Q31	25	35
15			
16			
17			
18	M11	20	31
19	W10	904	
20	M35	28	19
21	W10	903	
22	M35	19	19
23	W10	902	
24	M35	4	19
25	W10	901	
26	M36	28	19
27	W27	95	
28			

JACK PIN LG

60150800 Rev. B

5I38

S REGISTER TO WRITE DIST.



JQ

5139

1			
2			
3			
4	W10	90	
5	M36	19	19
6	W10	900	
7	M36	4	19
8	W10	907	
9	M37	28	19
10	W10	906	
11	M37	19	19
12	W10	905	
13	M37	4	19
14	Q31	23	35
15			
16			
17			
18	M38	28	19
19	W10	95	
20	M38	19	19
21	W10	94	
22	M38	4	17
23	W10	93	
24	M39	28	19
25	W10	92	
26	M39	19	19
27	W10	91	
28			

JACK PIN LG

60150800 Rev. B

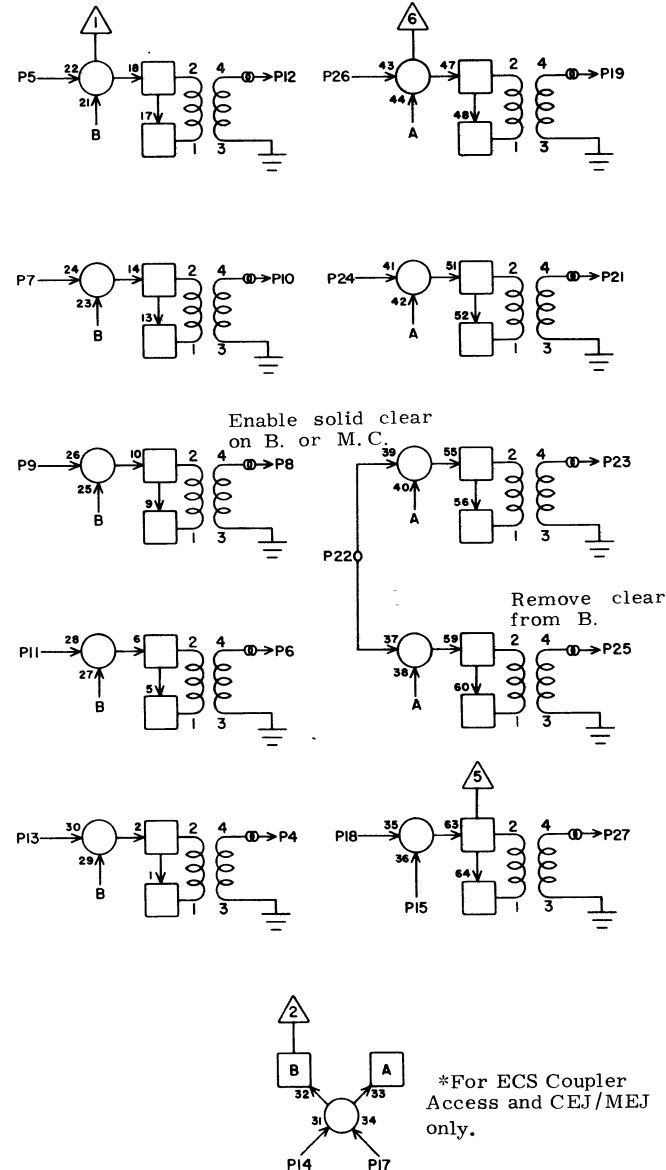
LS 63042300
ASSY

8
REV

S REGISTER TO WRITE DIST.

CR

5140



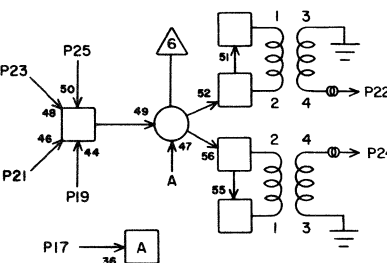
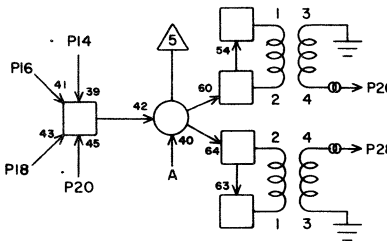
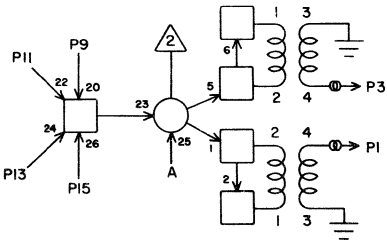
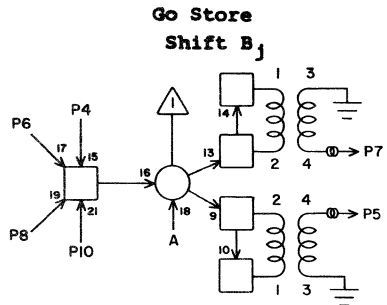
1			
2			
3			
4	W10	96	
5			
6	W10	98	
7	M40	28	19
8	W25	91	
9	E10	22	19
10	W10	97	
11	M40	19	19
12			
13	M39	4	19
14	Q31	26	35
15	I40	X	2
16			
17			
18	R39	15	39
19	W27	96	
20			
21	W10	99	
22	E10	27	35
23			
24	M40	4	17
25	W25	90	
26	K19	28	29
27	W21	90	
28			

JACK PIN LG

*

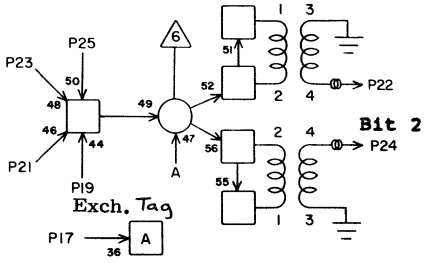
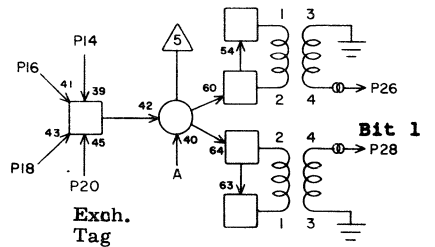
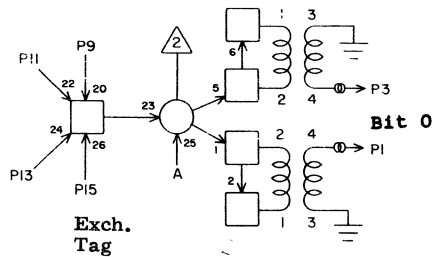
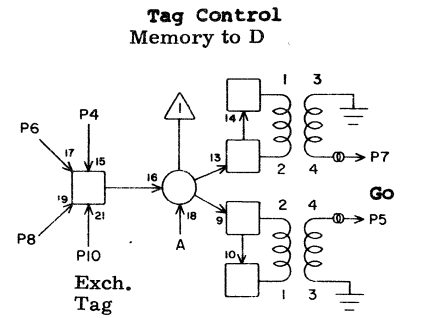
*For ECS Coupler Access and CEJ/MEJ only.

60150800 Rev. BF



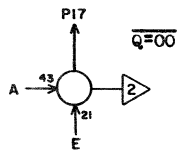
IZ		5I41	
1	W16	905	
2			
3			
4	J36	21	11
5	W16	904	
6			
7			
8			
9	F19	5	29
10			
11			
12			
13			
14	F19	19	27
15			
16			
17	P42	11	29
18			
19	F19	26	29
20			
21			
22	W16	907	
23			
24			
25			
26	W16	906	
27			
28			

JACK PIN LG

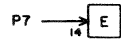


IZ		5I42	
1	W16	90	
2			
3	W15	91	
4			
5	W20	94	
6			
7	W15	90	
8			
9			
10	O37	15	27
11			
12			
13			
14			
15	K37	22	13
16			
17	E29	27	27
18			
19	K37	8	13
20	K37	7	13
21			
22	W16	92	
23			
24	W15	93	
25			
26	W16	91	
27			
28	W15	92	

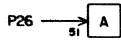
JACK PIN LG



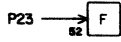
00XX



XX00



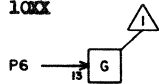
01XX



XX01



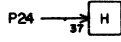
10XX



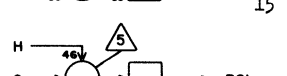
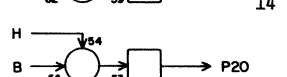
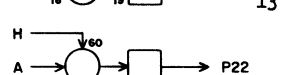
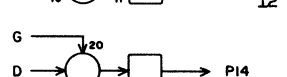
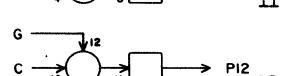
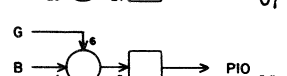
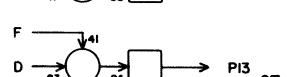
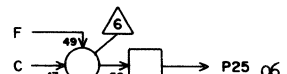
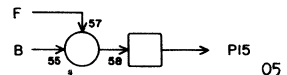
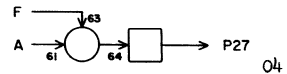
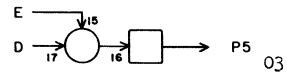
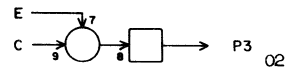
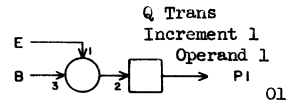
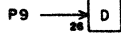
XX10



11XX



XX11

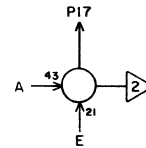


IF 5J01

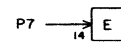
1			
2			
3	I30	20	29
4			
5	I34	2	33
6	I01	7	5
7	I01	2	7
8	I01	6	7
9	I01	4	7
10	K28	2	27
11	I01	3	7
12	K30	2	29
13	J32	2	31
14	K32	2	31
15	J28	2	27
16			
17	K01	27	7
18	K26	2	25
19			
20	I26	2	27
21	J34	2	33
22	K34	2	33
23	I01	5	7
24	I01	17	7
25	J30	2	29
26	I01	1	11
27	J26	2	25
28			

JACK PIN LG

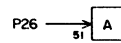
Q Trans. Increment 1 Operand 2



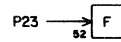
00XX



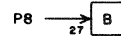
XX00



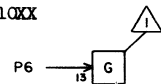
01XX



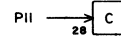
XX01



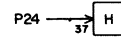
10XX



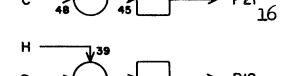
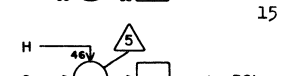
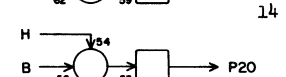
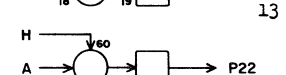
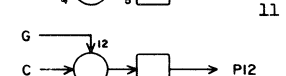
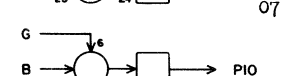
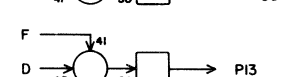
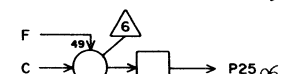
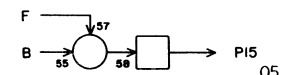
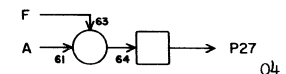
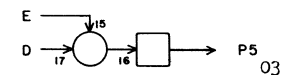
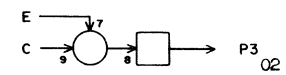
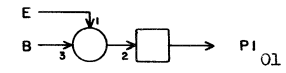
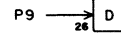
XX10



11XX



XX11

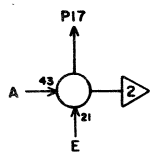


IF 5J02

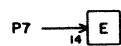
1			
2			
3	I30	23	29
4			
5	I34	4	31
6	I02	7	5
7	I02	2	7
8	I02	6	7
9	I02	4	7
10	K28	4	27
11	I02	3	7
12	K30	4	29
13	J32	4	29
14	K32	4	31
15	J28	4	27
16			
17	K02	27	7
18	K26	4	25
19			
20	I26	4	27
21	J34	4	31
22	K34	4	31
23	I02	5	7
24	I02	17	7
25	J30	4	29
26	I02	1	11
27	J26	4	25
28			

JACK PIN LG

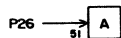
Q Trans.
Increment 2
Operand 1



OOKX



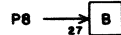
XX00



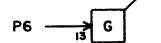
O1XX



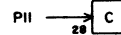
XX01



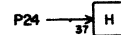
10XX



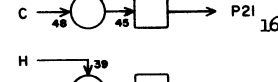
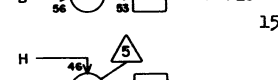
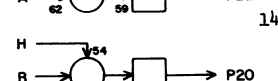
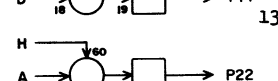
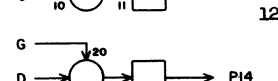
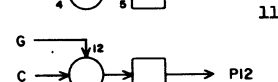
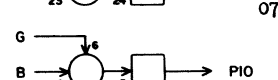
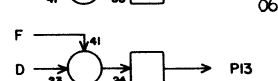
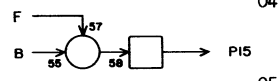
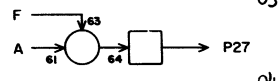
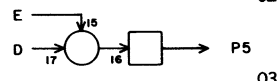
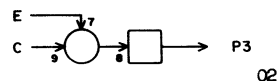
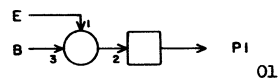
XX10



11XX



XX11



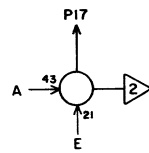
IF 5J03

1	I26	25	25
2			
3			
4			
5	I34	6	31
6	I03	7	5
7	I03	2	7
8	I03	6	7
9	I03	4	7
10	K28	6	27
11	I03	3	7
12	K30	6	27
13	J32	6	29
14	K32	6	29
15	J28	6	25
16			
17	K03	27	7
18	K26	6	25
19			
20	I26	6	25
21	J34	6	31
22	K34	6	31
23	I03	5	7
24	I03	17	7
25	J30	6	27
26	I03	1	11
27	J26	6	23
28			

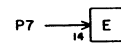
JACK PIN LG

60150800 Rev. A

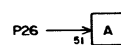
Q Trans.
Increment 2
Operand 2



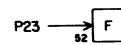
OOKX



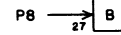
XX00



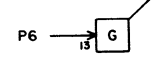
O1XX



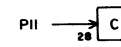
XX01



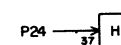
10XX



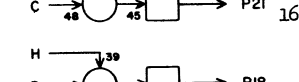
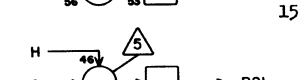
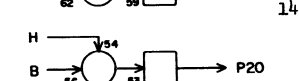
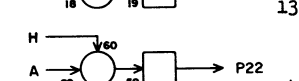
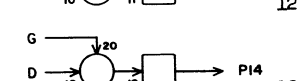
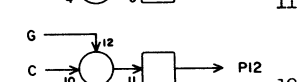
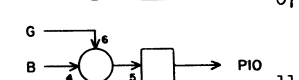
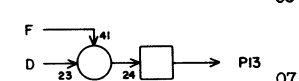
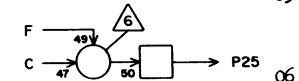
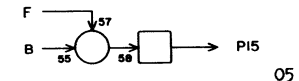
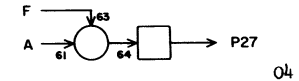
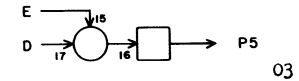
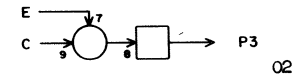
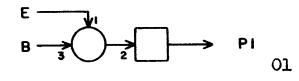
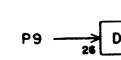
XX10



11XX



XX11



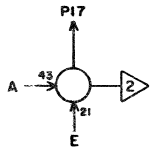
IF 5J04

1	I26	26	23
2			
3			
4			
5	I34	8	31
6	I04	7	5
7	I04	2	7
8	I04	6	7
9	I04	4	7
10	K28	8	25
11	I04	3	7
12	K30	8	27
13	J32	8	29
14	K32	8	29
15	J28	8	25
16			
17	K04	27	7
18	K26	8	25
19			
20	I26	8	25
21	J34	8	27
22	K34	8	31
23	I04	5	7
24	I04	17	7
25	J30	8	27
26	I04	1	11
27	J26	8	23
28			

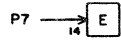
JACK PIN LG

60150800 Rev. A

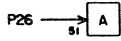
Q Trans.
Shift
Operand 1



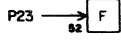
00XX



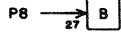
XX00



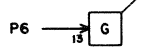
01XX



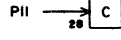
XX01



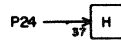
10XX



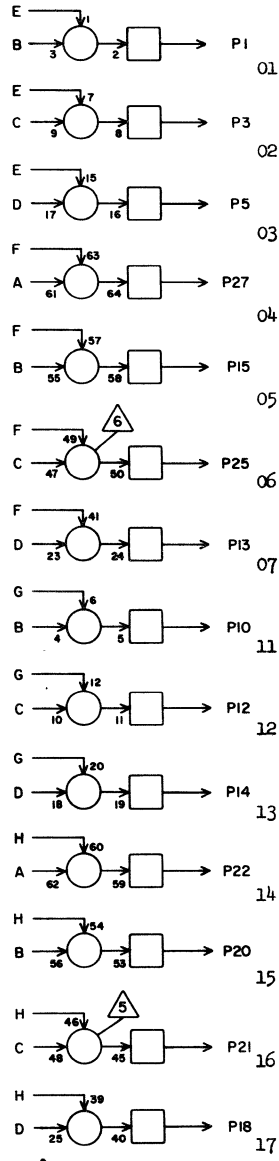
XX10



11XX



XX11



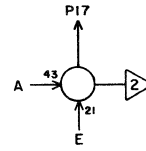
IF 5J05

1	I26	27	23
2			
3	I30	27	27
4			
5			
6	I05	7	5
7	I05	2	7
8	I05	6	7
9	I05	4	7
10	K28	10	25
11	I05	3	7
12	K30	10	27
13	J32	10	27
14	K32	10	27
15	J28	10	25
16			
17	K05	18	7
18	K26	10	25
19			
20	I26	10	23
21	J34	10	29
22	K34	10	29
23	I05	5	7
24	I05	17	7
25	J30	10	25
26	I05	1	11
27	J26	10	25
28			

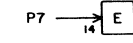
JACK PIN LG

60150800 Rev. A

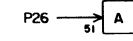
Q Trans.
Shift
Operand 2



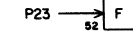
00XX



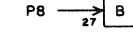
XX00



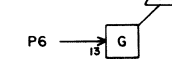
01XX



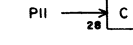
XX01



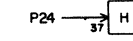
10XX



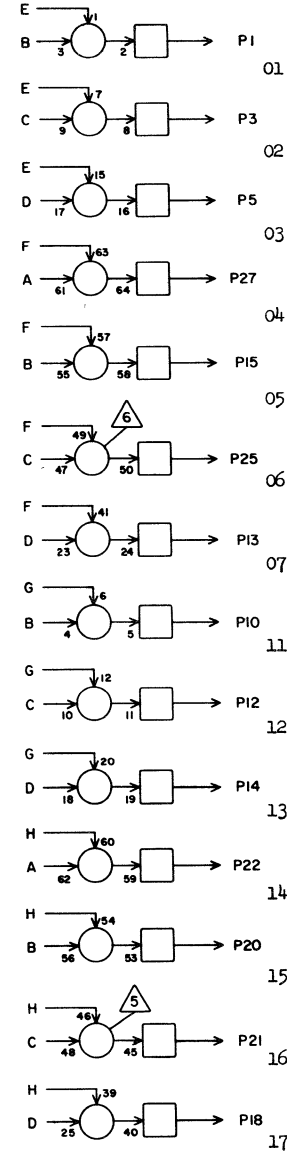
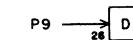
XX10



11XX



XX11



IF 5J06

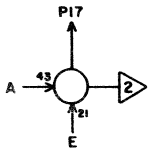
1	I27	20	23
2			
3	I31	20	27
4			
5			
6	I06	7	5
7	I06	2	7
8	I06	6	7
9	I06	4	7
10	K28	19	25
11	I06	3	7
12	K30	19	25
13	J32	19	27
14	K32	19	27
15	J28	19	25
16			
17	K06	18	7
18	K26	19	25
19			
20	I26	19	23
21	J34	19	29
22	K34	19	29
23	I06	5	7
24	I06	17	7
25	J30	19	25
26	I06	1	11
27	J26	19	23
28			

JACK PIN LG

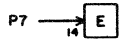
5J06

60150800 Rev. A

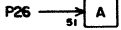
Q Trans.
Boolean
Operand 1



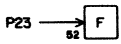
00XX



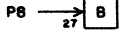
XX00



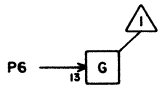
01XX



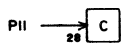
XX01



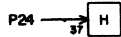
10XX



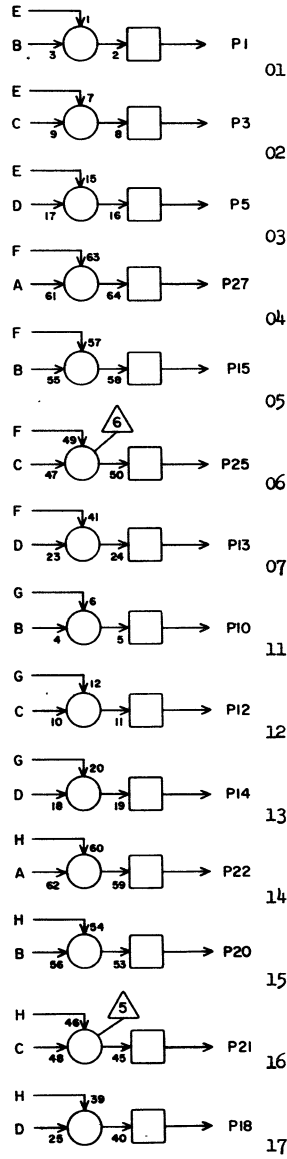
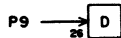
XX10



11XX



XX11



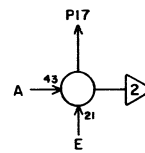
IF 5107

1	I27	23	21
2			
3	I31	23	23
4			
5	I34	21	27
6	I07	7	5
7	I07	2	7
8	I07	6	7
9	I07	4	7
10	K28	21	23
11	I07	3	7
12	K30	21	25
13	J32	21	25
14	K32	21	27
15	J28	21	23
16			
17	K07	18	7
18	K26	21	21
19			
20	L26	21	23
21	J34	21	27
22	K34	21	27
23	I07	5	7
24	I07	17	7
25	J30	21	25
26	I07	1	11
27			
28			

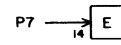
JACK PIN LG

60150800 Rev. A

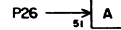
Q Trans.
Boolean
Operand 2



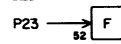
00XX



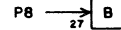
XX00



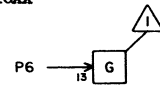
01XX



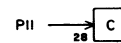
XX01



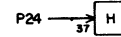
10XX



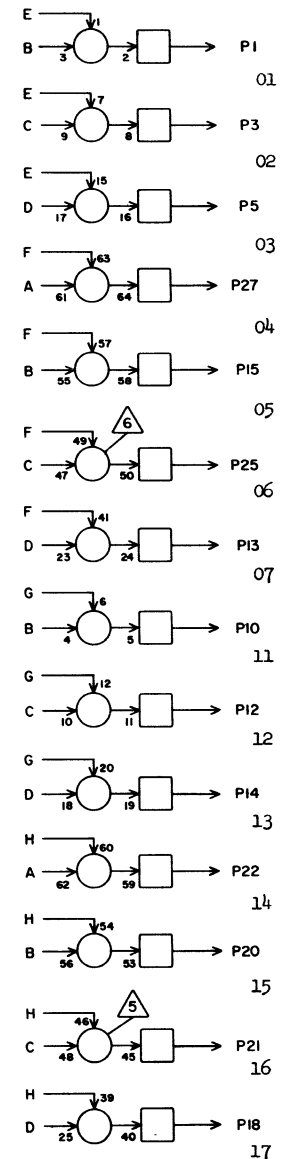
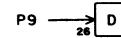
XX10



11XX



XX11



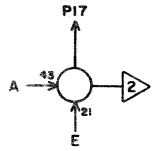
IF 5108

1	I27	25	21
2			
3	I31	25	25
4			
5	I34	23	27
6	I08	7	5
7	I08	2	7
8	I08	6	7
9	I08	4	7
10	K28	23	21
11	I08	3	7
12	K30	23	25
13	J32	23	25
14	K32	23	27
15	J28	23	23
16			
17	K08	18	7
18	K26	23	21
19			
20	L26	23	21
21	J34	23	27
22	K34	23	27
23	I08	5	7
24	I08	17	9
25	J30	23	23
26	I08	1	11
27			
28			

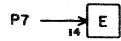
JACK PIN LG

60150800 Rev. A

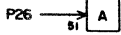
Q Trans.
Divide
Operand 1



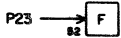
OOXX



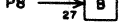
XX00



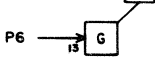
01XX



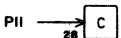
XX01



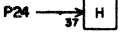
10XX



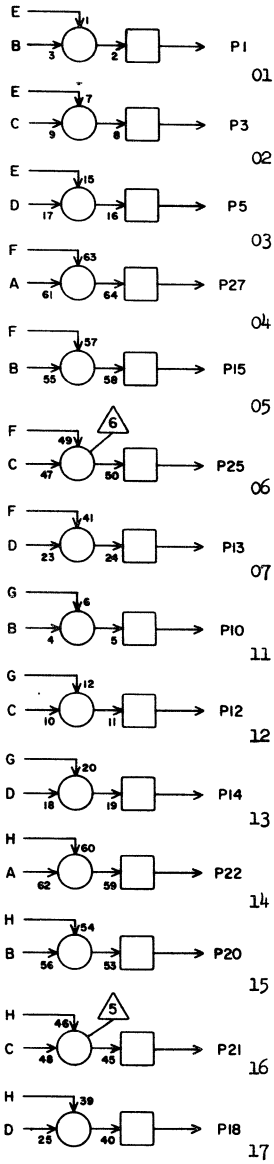
XX10



11XX



XX11



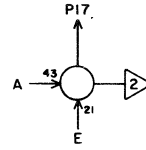
IF 5J09

1	I27	26	19
2			
3	I31	26	23
4			
5	I34	25	27
6	I09	7	5
7	I09	2	7
8	I09	6	7
9	I09	4	7
10	K28	25	21
11	I09	3	7
12	K30	25	23
13	J32	25	25
14	K32	25	25
15			
16			
17	K09	18	7
18	K26	25	21
19			
20	L26	25	21
21	J34	25	27
22	K34	25	27
23	I09	5	7
24	I09	17	7
25	J30	25	23
26	I09	1	11
27	J26	25	19
28			

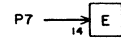
JACK PIN LG

60150800 Rev. A

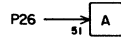
Q Trans.
Divide
Operand 2



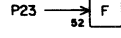
OOXX



XX00



01XX



XX01



10XX



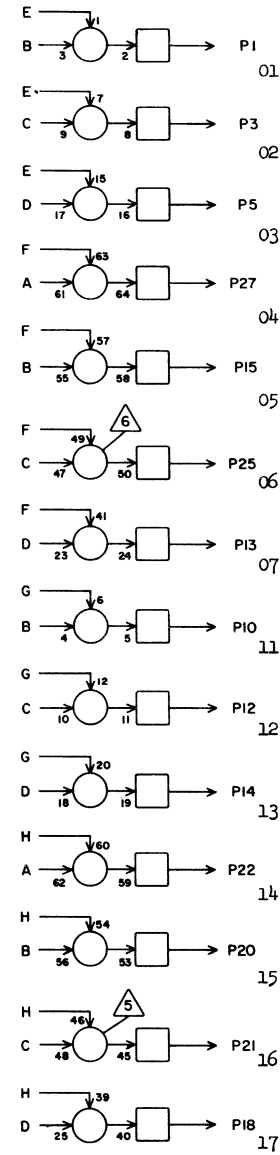
XX10



11XX



XX11



IF 5J10

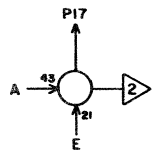
1	I27	27	19
2			
3	I31	27	23
4			
5	I34	27	25
6	I10	7	5
7	I10	2	7
8	I10	6	7
9	I10	4	7
10	K28	27	21
11	I10	3	7
12	K30	27	23
13	J32	27	23
14	K32	27	25
15			
16			
17	K10	18	7
18	K26	27	19
19			
20	L26	27	21
21	J34	27	25
22	K34	27	25
23	I10	5	7
24	I10	17	7
25	J30	27	25
26	I10	1	11
27	J26	27	19
28			

JACK PIN LG

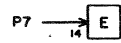
60150800 Rev. A

5J10

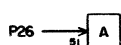
Q Trans.
Multiply 1
Operand 1



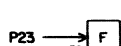
00XX



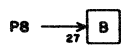
XX00



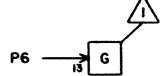
01XX



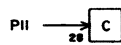
XX01



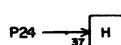
10XX



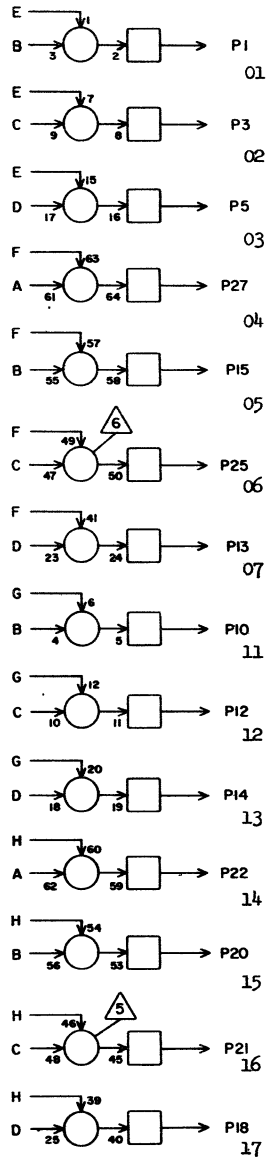
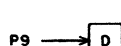
XX10



11XX



XX11



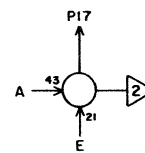
IF 5J11

JACK	PIN	LG
1	I28	20 19
2		
3	I32	20 23
4		
5	I35	2 25
6	I11	7 5
7	I11	2 7
8	I11	6 7
9	I11	4 7
10	K29	2 21
11	I11	3 7
12	K31	2 23
13	J33	2 23
14	K33	2 25
15	J29	2 19
16		
17	K11	18 7
18	K27	2 19
19		
20	I27	2 19
21	J35	2 25
22	K35	2 25
23	I11	5 7
24	I11	17 13
25		
26	I11	1 11
27	J27	2 19
28		

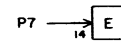
JACK PIN LG

60150800 Rev. A

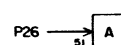
Q Trans.
Multiply 1
Operand 2



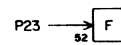
I 00XX



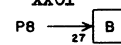
XX00



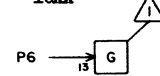
01XX



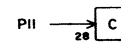
XX01



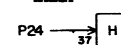
10XX



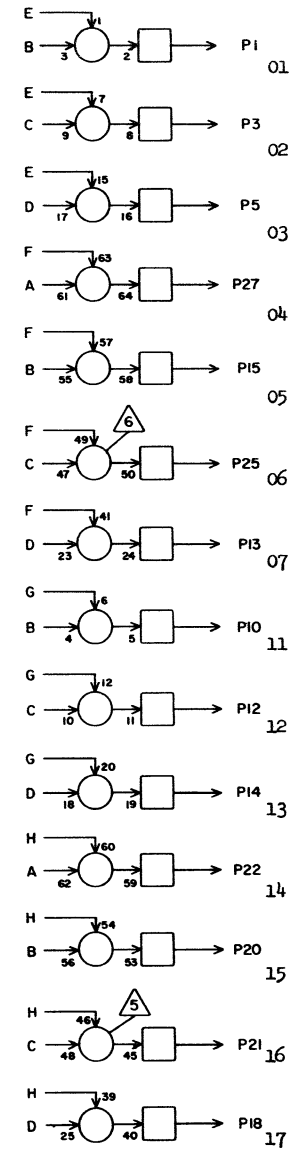
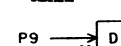
XX10



11XX



XX11

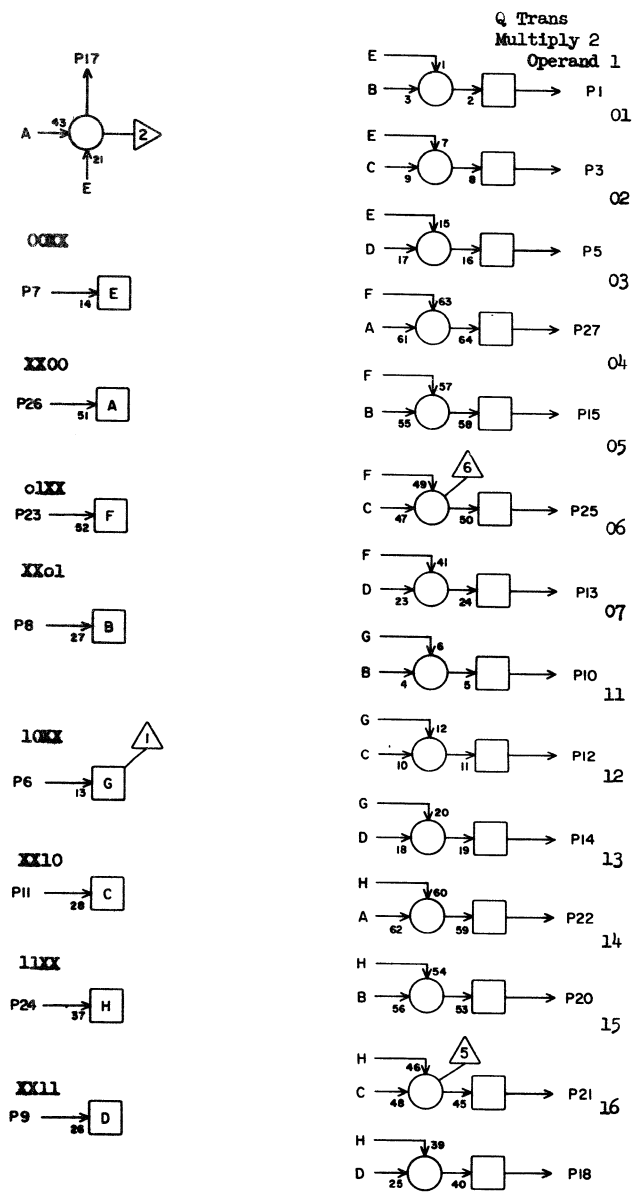


IF 5J12

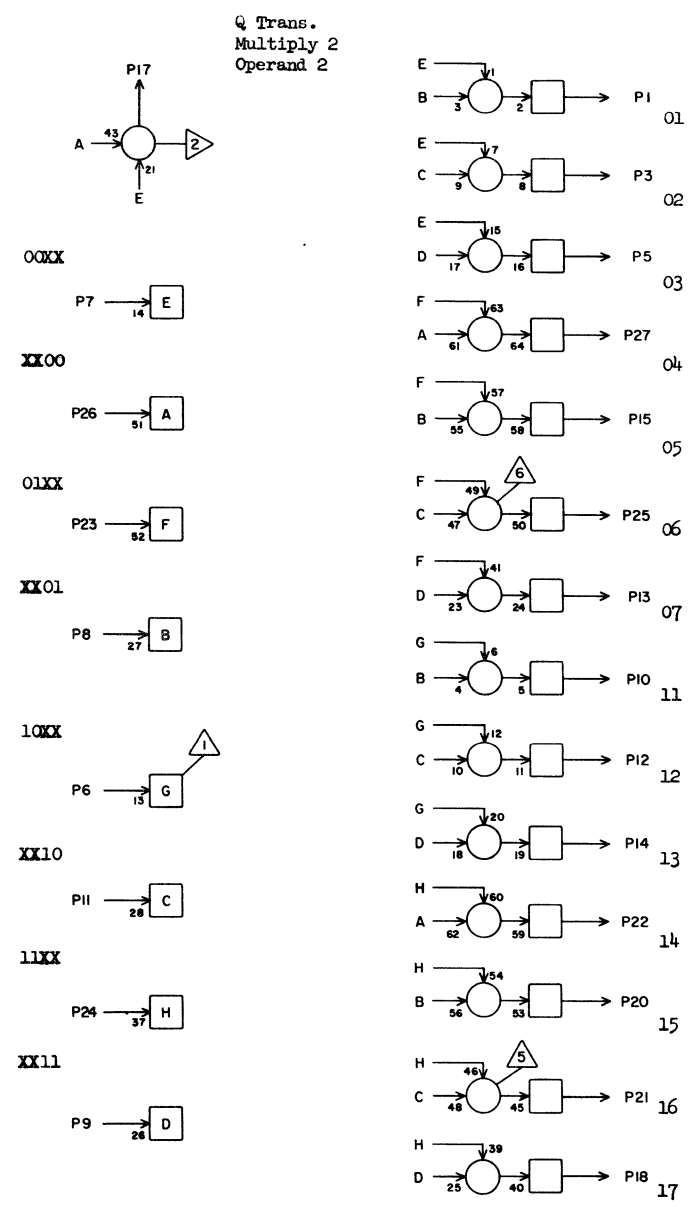
JACK	PIN	LG
1	I28	23 17
2		
3	I32	23 23
4		
5	I35	4 25
6	I12	7 5
7	I12	2 7
8	I12	6 7
9	I12	4 7
10	K29	4 19
11	I12	3 7
12	K31	4 21
13	J33	4 23
14	K33	4 23
15	J29	4 19
16		
17	K12	18 5
18	K27	4 17
19		
20	I27	4 19
21	J35	4 25
22	K35	4 25
23	I12	5 7
24	I12	17 7
25		
26	I12	1 11
27	J27	4 17
28		

JACK PIN LG

60150800 Rev. A

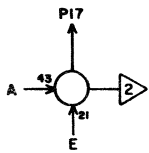


IF			
5J13			
JACK	PIN	LG	
1	I28	25	17
2			
3	I32	25	21
4			
5	I35	6	23
6	I13	7	5
7	I13	2	7
8	I13	6	7
9	I13	4	7
10	K29	6	19
11	I13	3	7
12	K31	6	21
13	J33	6	21
14	K33	6	23
15	J29	6	19
16			
17	K13	18	7
18	K27	6	17
19			
20	I27	6	19
21	J35	6	23
22	K35	6	23
23	I13	5	7
24	I13	17	7
25	J31	6	19
26	I13	1	11
27	J27	6	17
28			

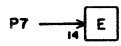


IF			
5J14			
JACK	PIN	LG	
1	I28	26	17
2			
3	I32	26	19
4			
5	I35	8	23
6	I14	7	5
7	I14	2	7
8	I14	6	7
9	I14	4	7
10	K29	8	17
11	I14	3	7
12	K31	8	19
13			
14	K33	8	31
15	J29	8	17
16			
17	K14	18	7
18	K27	8	17
19			
20	I27	8	17
21	J35	8	23
22	K35	8	23
23	I14	5	7
24	I14	17	7
25	J31	8	19
26	I14	1	11
27	J27	8	15
28			

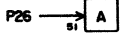
Q Trans.
Long Add
Operand 1



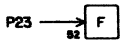
00XX



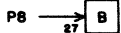
XX00



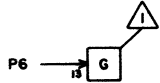
01XX



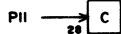
XX01



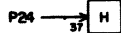
10XX



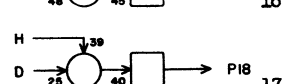
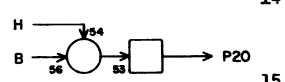
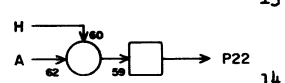
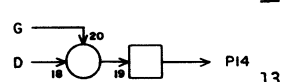
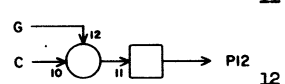
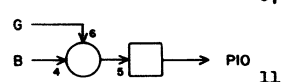
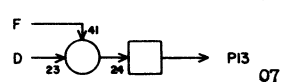
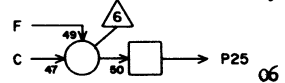
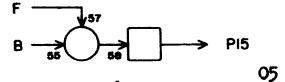
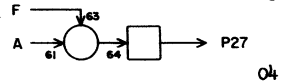
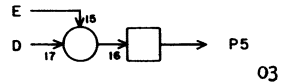
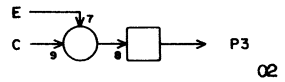
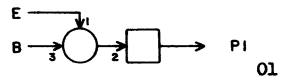
XX10



11XX



XX11



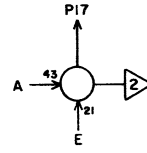
IF 5J15

JACK	PIN	LG
1	I28	27 17
2		
3	I32	27 19
4		
5	I35	10 23
6	I15	7 5
7	I15	2 7
8	I15	6 7
9	I15	4 7
10	K29	10 17
11	I15	3 7
12	K31	10 19
13	J33	10 19
14	K33	10 19
15	J29	10 17
16		
17	K15	18 5
18	K27	10 15
19		
20	I27	10 17
21		
22	K35	10 23
23	I15	5 9
24	I15	17 7
25	J31	10 19
26	I15	1 11
27	J27	10 15
28		

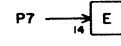
JACK PIN LG

60150800 Rev. A

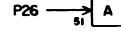
Q Trans.
Long Add
Operand 2



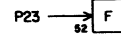
00XX



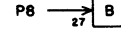
XX00



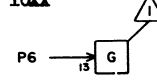
01XX



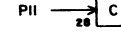
XX01



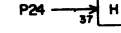
10XX



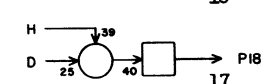
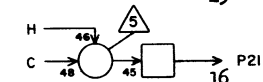
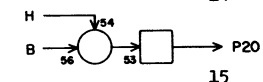
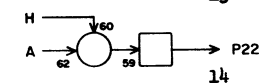
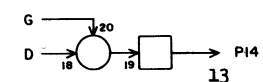
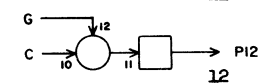
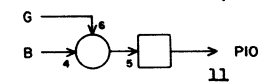
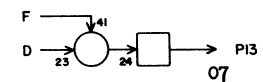
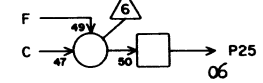
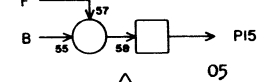
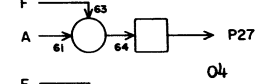
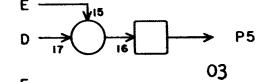
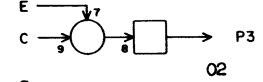
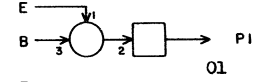
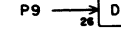
XX10



11XX



XX11



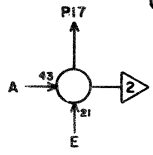
IF 5J16

JACK	PIN	LG
1	I29	20 15
2		
3	I33	20 19
4		
5	I35	19 21
6	I16	7 5
7	I16	2 7
8	I16	6 7
9	I16	4 7
10	K29	19 17
11	I16	3 7
12	K31	19 17
13	J33	19 19
14	K33	19 19
15	J29	19 15
16		
17	K16	18 7
18	K27	19 15
19		
20	I27	19 17
21		
22	K35	19 21
23	I16	5 7
24	I16	17 7
25	J31	19 17
26	I16	1 11
27	J27	19 15
28		

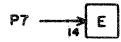
JACK PIN LG

60150800 Rev. A

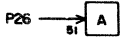
Q Trans.
Add
Operand 1



00XX



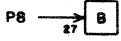
XX00



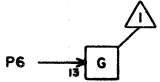
01XX



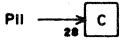
XX01



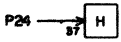
10XX



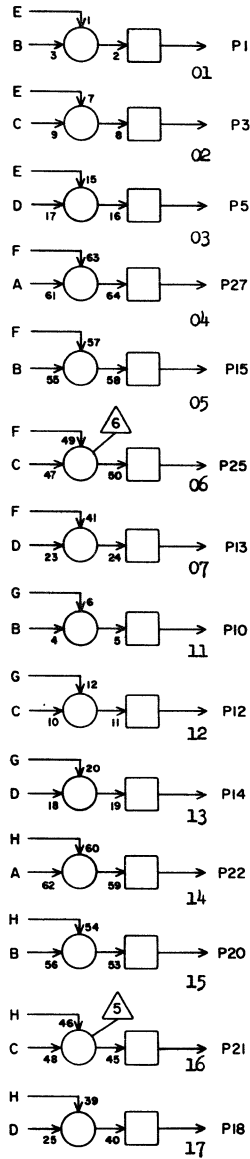
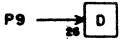
XX10



11XX



XX11



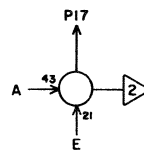
IF 5J17

1	I29	23	15
2			
3	I33	23	19
4			
5	I35	21	21
6	I17	7	5
7	I17	2	7
8	I17	6	7
9	I17	4	7
10	K29	21	15
11	I17	3	7
12	K31	21	17
13	J33	21	19
14	K33	21	19
15	J29	21	15
16			
17	K17	18	7
18			
19			
20	I27	21	17
21	J35	21	19
22	K35	21	21
23	I17	5	7
24	I17	17	7
25	J31	21	17
26	I17	1	11
27	J27	21	13
28			

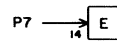
JACK PIN LG

60150800 Rev. A

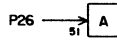
Q Trans.
Add
Operand 2



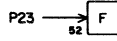
00XX



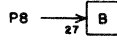
XX00



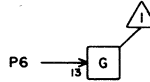
01XX



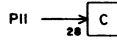
XX01



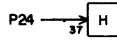
10XX



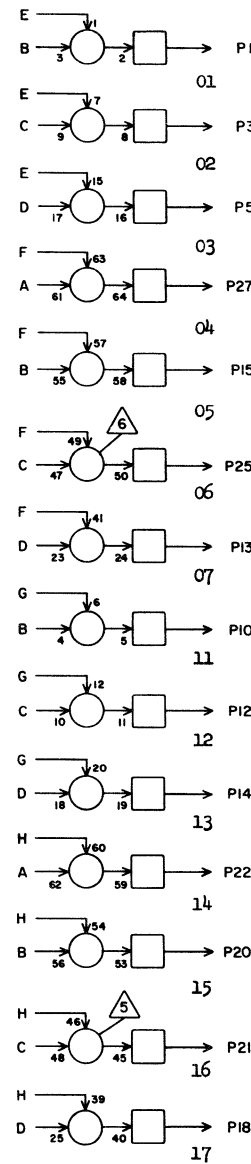
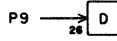
XX10



11XX



XX11



IF 5J18

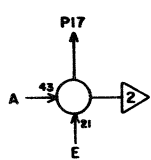
1	I29	25	13
2			
3	I33	25	17
4			
5	I35	23	19
6	I18	7	5
7	I18	2	7
8	I18	6	7
9	I18	4	7
10	K29	23	15
11	I18	3	7
12	K31	23	17
13	J33	23	17
14	K33	23	17
15	J29	23	13
16			
17	K18	18	7
18			
19			
20	I27	23	15
21	J35	23	19
22	K35	23	19
23	I18	5	7
24	I18	17	7
25	J31	23	15
26	I18	1	11
27	J27	23	13
28			

JACK PIN LG

5J18

60150800 Rev. AB

Q Trans.
Memory X⁶



00XX



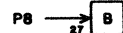
XX00



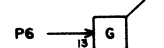
01XX



XX01



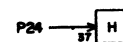
10XX



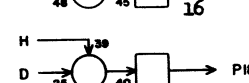
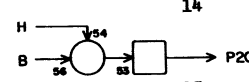
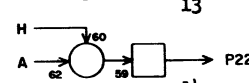
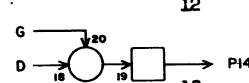
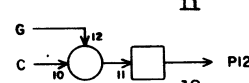
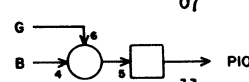
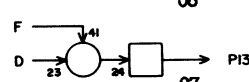
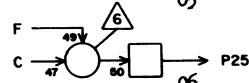
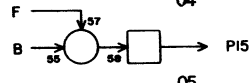
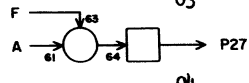
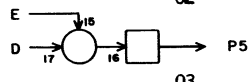
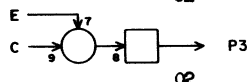
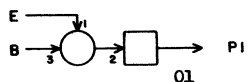
XX10



11XX



XX11



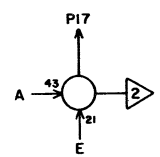
IF 5J19

JACK	PIN	LG
1	I29	26 11
2		
3	I33	26 17
4		
5	I35	25 19
6	I19	7 5
7	I19	2 7
8	I19	6 7
9	I19	4 7
10	K29	25 15
11	I19	3 7
12	K31	25 17
13	J33	25 17
14	K33	25 17
15	J29	25 13
16		
17	K19	18 7
18	K27	25 13
19		
20	I27	25 15
21	J35	25 17
22	K35	25 19
23	I19	5 7
24	I19	17 7
25	J31	25 15
26	I19	1 11
27	J27	25 13
28		

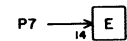
JACK PIN LG

60150800 Rev. A

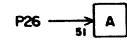
Q Trans.
Memory X⁷



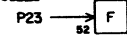
00XX



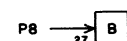
XX00



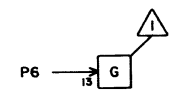
01XX



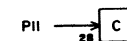
XX01



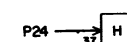
10XX



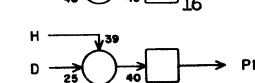
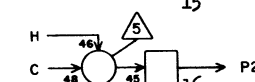
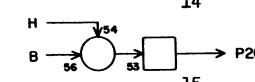
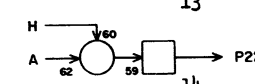
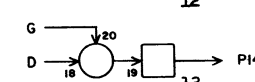
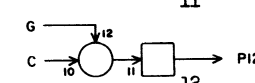
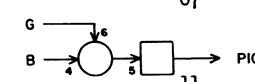
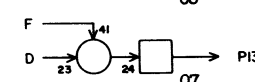
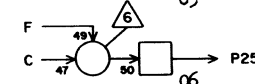
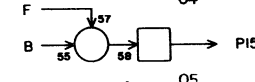
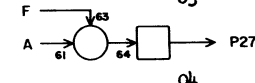
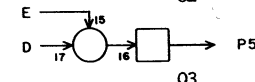
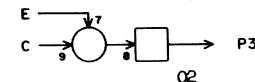
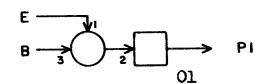
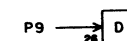
XX10



11XX



XX11

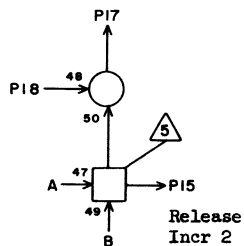
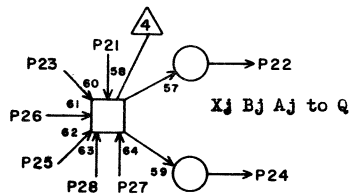
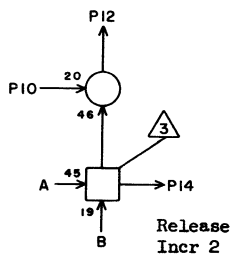
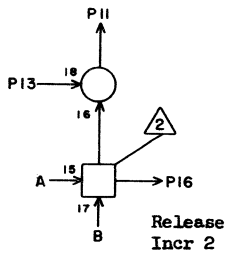
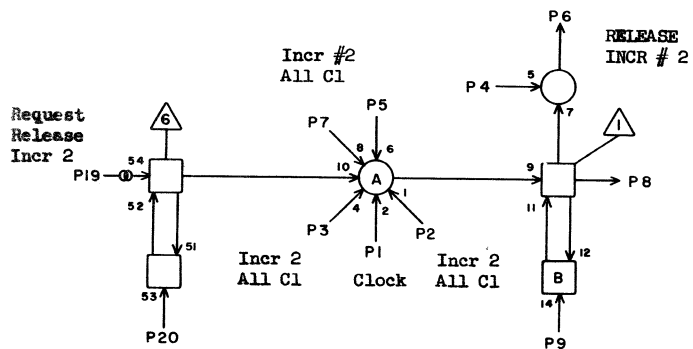


IF 5J20

JACK	PIN	LG
1	I29	27 13
2		
3	I33	27 17
4		
5	I35	27 17
6	I20	7 5
7	I20	2 7
8	I20	6 7
9	I20	4 7
10	K29	27 15
11	I20	3 7
12	K31	27 15
13	J33	27 15
14	K33	27 17
15	J29	27 13
16		
17	K20	18 5
18	K27	27 13
19		
20	I27	27 15
21	J35	27 17
22	K35	27 19
23	I20	5 7
24	I20	17 7
25	J31	27 15
26	I20	1 11
27	J27	27 11
28		

JACK PIN LG

60150800 Rev. A

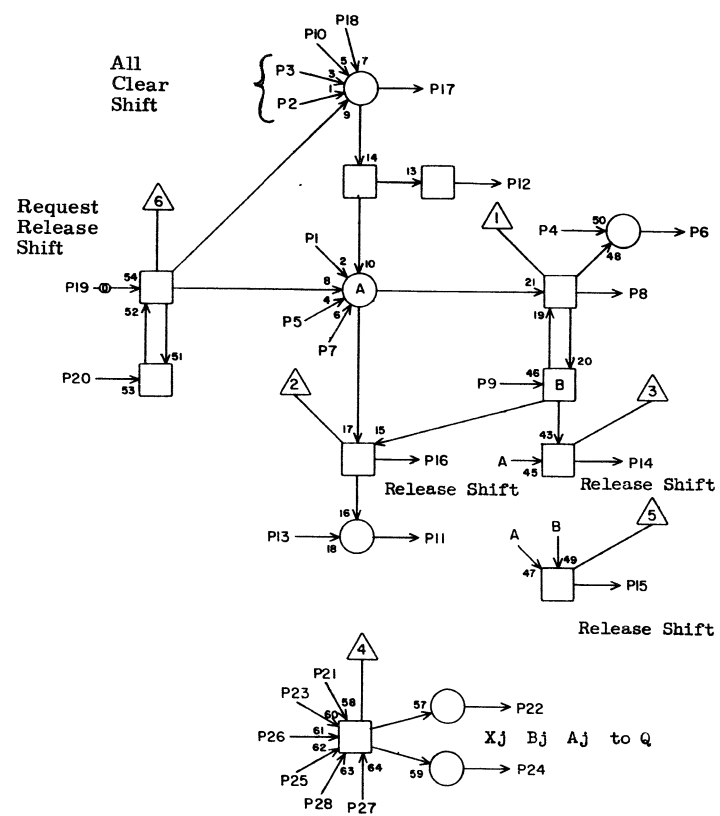


IL 5J21

1	H19	7	11
2	K24	22	9
3	K25	22	11
4	M31	21	21
5	L23	22	13
6	N11	23	23
7	L24	22	13
8	I30	21	13
9	H18	10	84
10	M31	17	19
11	N12	23	23
12	N13	23	23
13	M31	19	19
14	I32	21	15
15	I33	21	15
16	I31	21	15
17	N14	23	21
18	M31	15	19
19	E38	27	27
20	I30	15	13
21	I05	19	19
22	M20	3	15
23	I06	19	17
24	M21	3	13
25	K10	28	15
26	K11	28	13
27	I01	19	23
28	I02	19	21

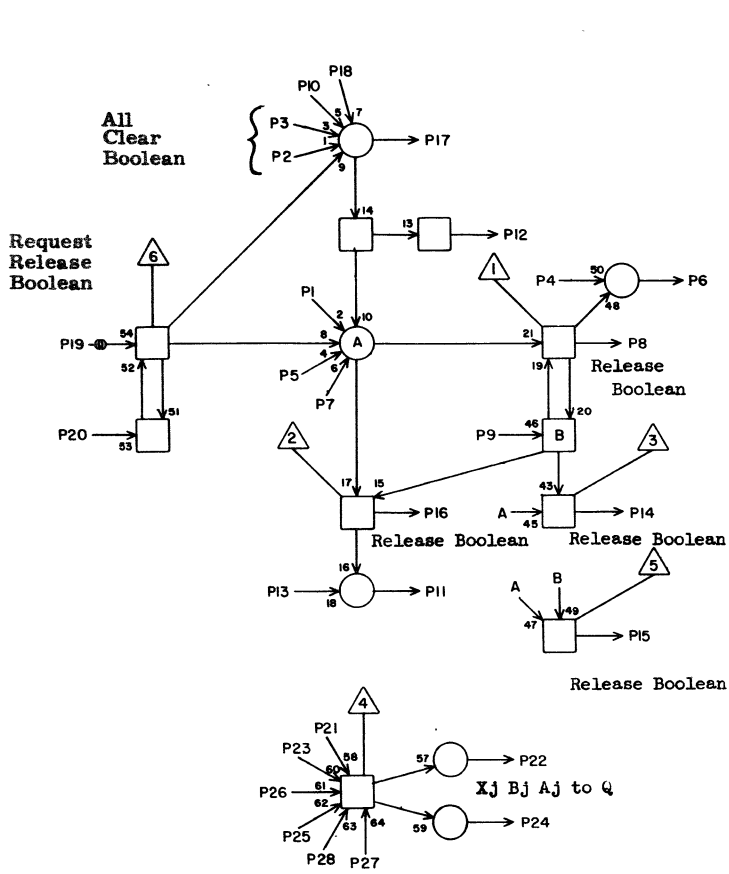
JACK PIN LG

CW 5J22



1	H19	6	11
2	I13	19	13
3	I14	19	13
4			
5			
6			
7			
8	I34	17	17
9	G19	11	15
10	I15	19	11
11			
12	K22	5	5
13			
14	I28	15	13
15	I29	15	15
16	I35	17	17
17	K23	5	7
18	I16	19	11
19	W12	904	
20	I37	8	19
21	I07	19	17
22	M20	6	15
23	I08	19	17
24	M21	6	15
25	K12	28	13
26	K09	28	17
27	I03	19	21
28	I04	19	21

JACK PIN LG

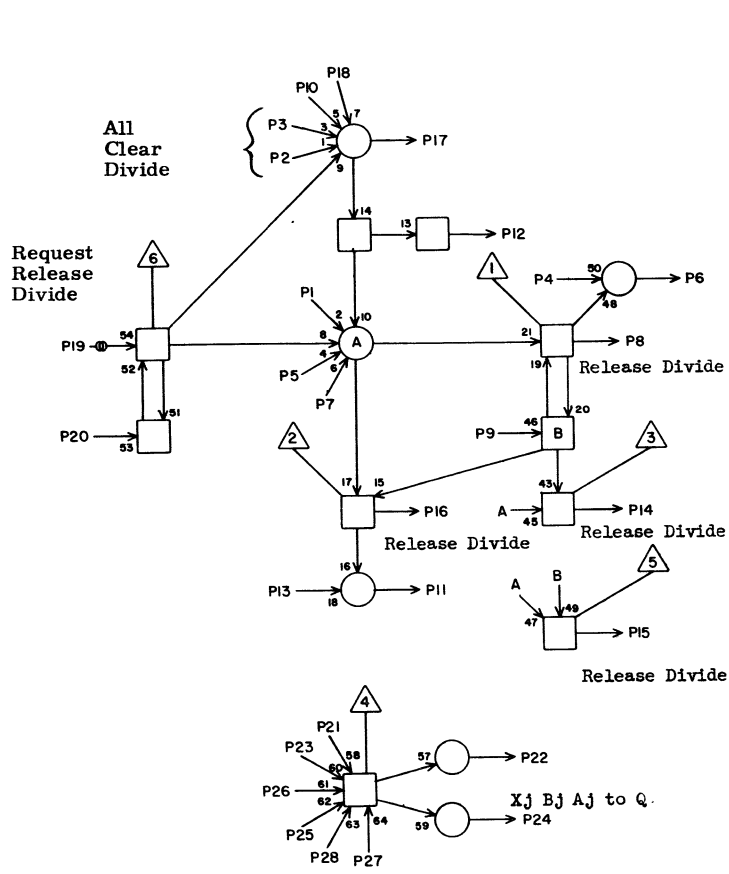


CW 5J23

1	H19	4	11
2	I13	28	13
3	I14	28	13
4			
5			
6	L12	10	17
7			
8	J26	17	7
9	G19	13	15
10			
11			
12	J24	5	5
13			
14	L30	15	15
15			
16	J27	17	7
17	H25	26	11
18			
19	W13	906	
20	I37	7	17
21	I09	19	17
22	M22	3	15
23	I10	19	17
24	M23	3	15
25			
26			
27			
28			

JACK PIN LG

60150800 Rev. B

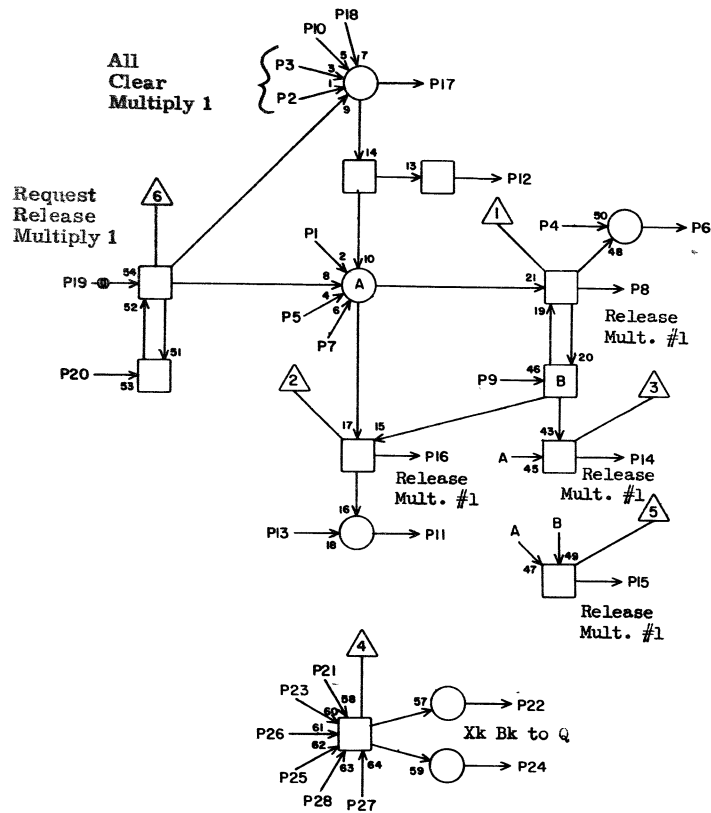


CW 5J24

1	H19	9	13
2	I15	28	13
3	I16	28	13
4			
5	J23	12	5
6	L17	10	15
7			
8	J28	17	7
9	G19	1	15
10			
11			
12			
13			
14	L31	15	15
15			
16	J29	17	7
17	H25	28	11
18			
19	W13	905	
20	I37	26	17
21	I11	19	17
22	M22	6	15
23	I12	19	15
24	M23	6	15
25			
26			
27			
28			

JACK PIN LG

60150800 Rev. H

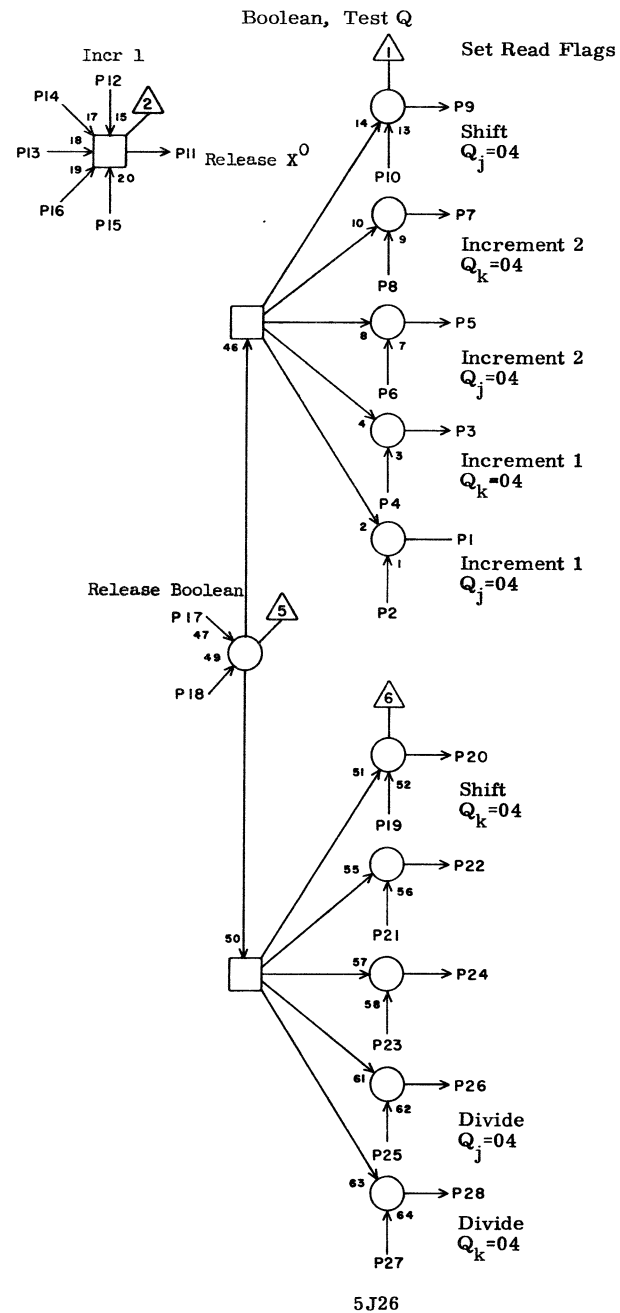


CW 5J25

1	H19	11	13
2	I17	28	13
3	I17	19	13
4			
5	H25	15	11
6	K39	1	15
7			
8	J30	17	7
9	G19	8	15
10			
11	L15	11	17
12	K21	7	7
13			
14	L32	15	15
15			
16	J31	17	11
17			
18			
19	W14	95	
20	I37	25	15
21	K05	28	21
22	M24	3	15
23	K06	28	21
24	M25	3	15
25	K14	28	15
26	K15	28	13
27			
28			

JACK PIN LG

60150800 Rev. B



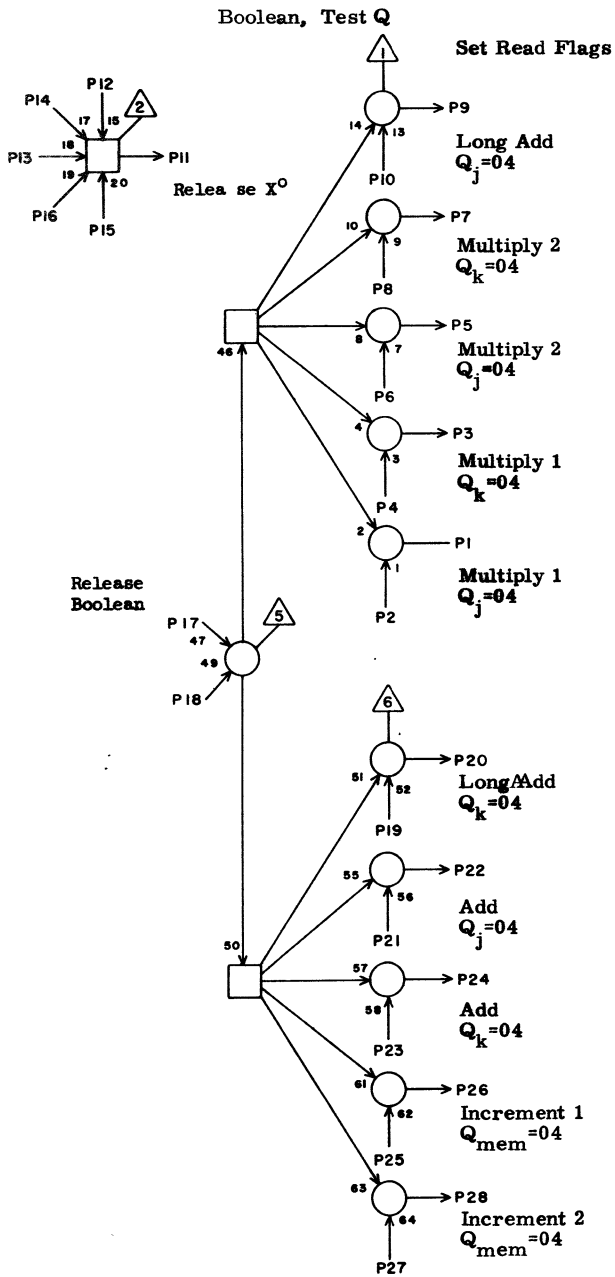
5J26

IJ 5J26

1	K01	6	25
2	J01	27	25
3	K02	6	25
4	J02	27	25
5	K03	6	25
6	J03	27	23
7	K04	6	25
8	J04	27	23
9	K05	6	25
10	J05	27	25
11	H01	16	27
12	I26	13	9
13	I30	13	9
14	L28	17	15
15	L30	17	15
16	L31	17	17
17	J23	8	7
18			
19	J06	27	23
20	K06	6	21
21			
22			
23	GRD	X	2
24			
25	J09	27	19
26	K09	6	19
27	J10	27	19
28	K10	6	17

JACK PIN LG

60150800 Rev. B

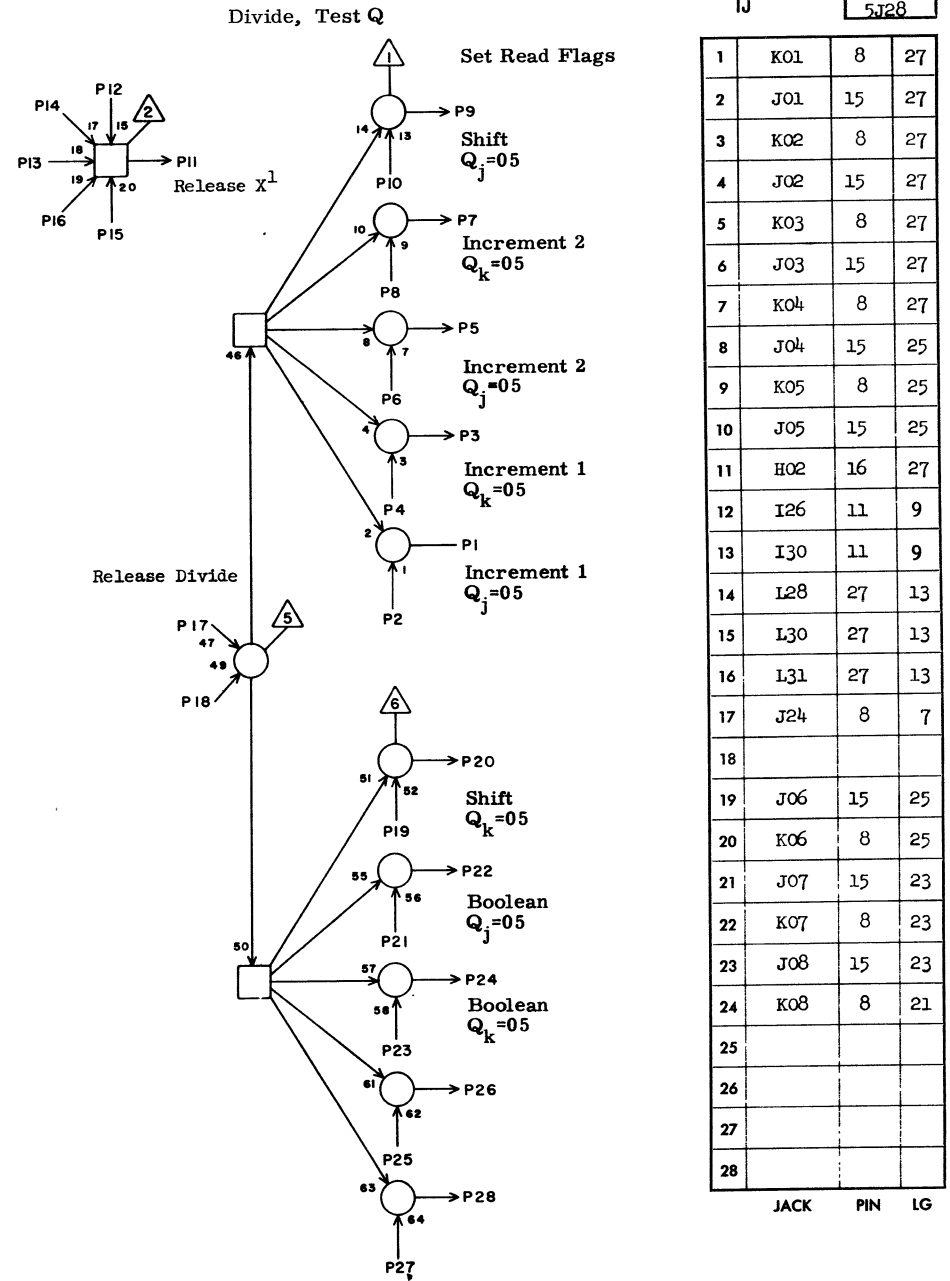


IJ 5J27

1	K11	6	19
2	J11	27	19
3	K12	6	17
4	J12	27	17
5	K13	6	17
6	J13	27	17
7	K14	6	17
8	J14	27	15
9	K15	6	15
10	J15	27	15
11	H01	12	27
12	L32	17	25
13	L33	17	23
14	L34	17	15
15	L35	17	25
16			
17	J23	16	7
18			
19	J16	27	15
20	K16	6	15
21	J17	27	13
22	K17	6	15
23	J18	27	13
24	K18	6	11
25	J19	27	13
26	K19	6	11
27	J20	27	11
28	K20	6	11

JACK PIN LG

60150800 Rev. K



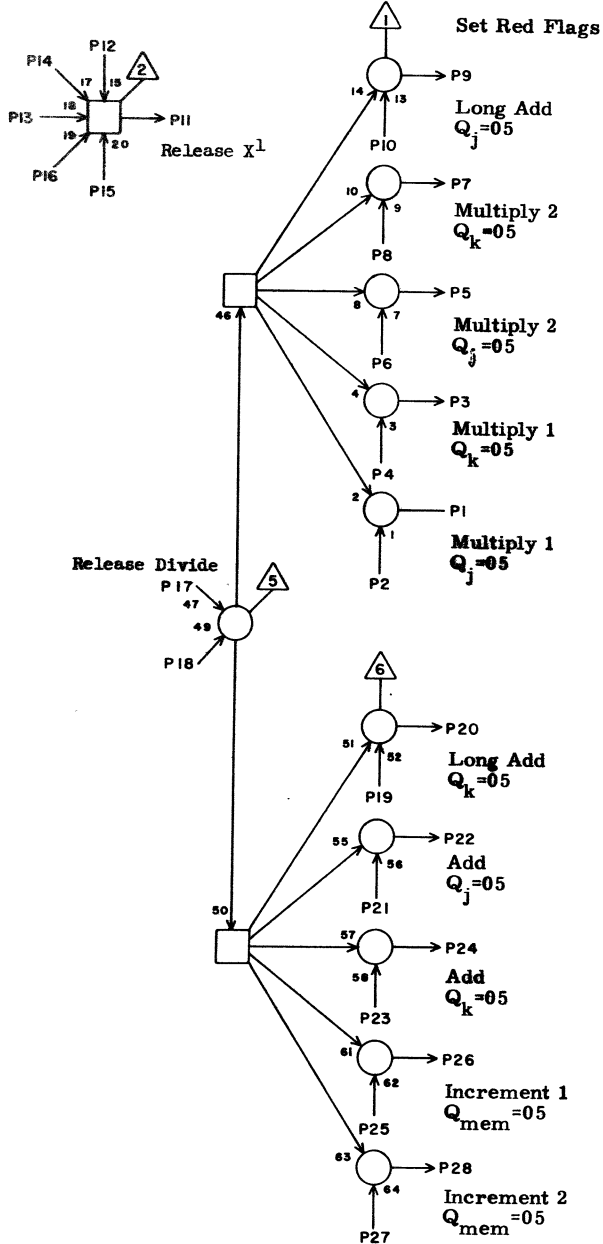
IJ 5J28

1	K01	8	27
2	J01	15	27
3	K02	8	27
4	J02	15	27
5	K03	8	27
6	J03	15	27
7	K04	8	27
8	J04	15	25
9	K05	8	25
10	J05	15	25
11	H02	16	27
12	I26	11	9
13	I30	11	9
14	L28	27	13
15	L30	27	13
16	L31	27	13
17	J24	8	7
18			
19	J06	15	25
20	K06	8	25
21	J07	15	23
22	K07	8	23
23	J08	15	23
24	K08	8	21
25			
26			
27			
28			

JACK PIN LG

60150800 Rev. B

Divide, Test Q

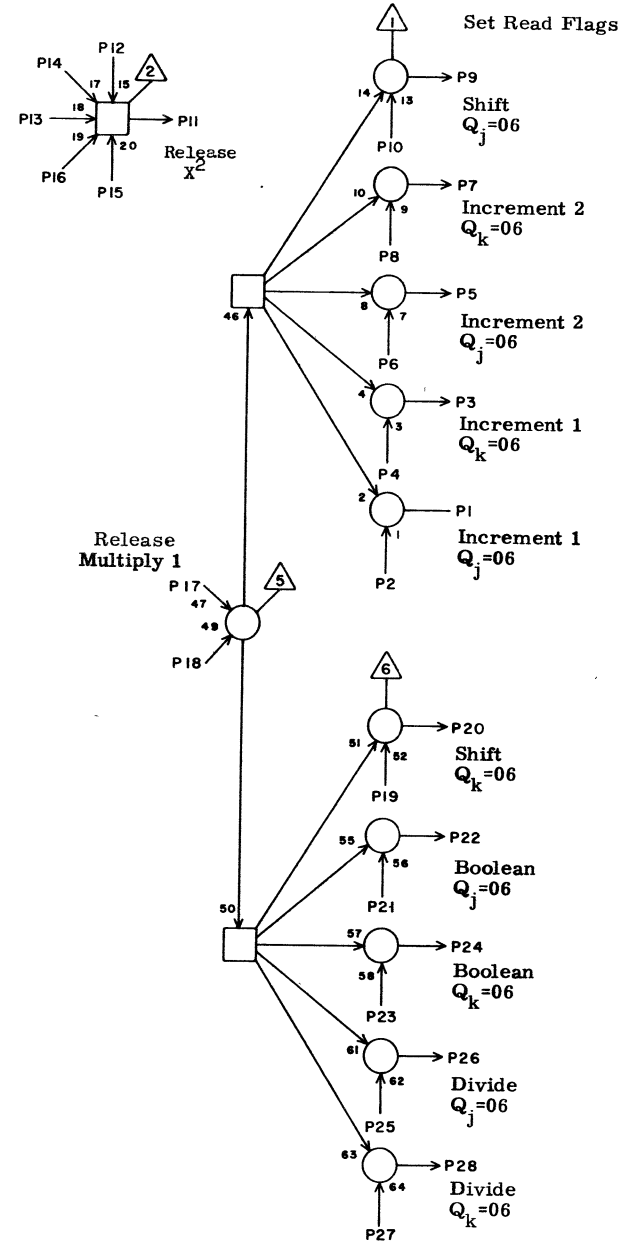


IJ 5J29

1	K11	8	21
2	J11	15	19
3	K12	8	17
4	J12	15	19
5	K13	8	19
6	J13	15	19
7	K14	8	17
8	J14	15	17
9	K15	8	15
10	J15	15	17
11	H02	12	29
12	L32	27	13
13	L33	27	13
14	L34	27	15
15	L35	27	13
16	K24	11	9
17	J24	16	7
18			
19	J16	15	15
20	K16	8	15
21	J17	15	15
22	K17	8	15
23	J18	15	13
24	K18	8	15
25	J19	15	13
26	K19	8	13
27	J20	15	13
28	K20	8	13

JACK PIN LG

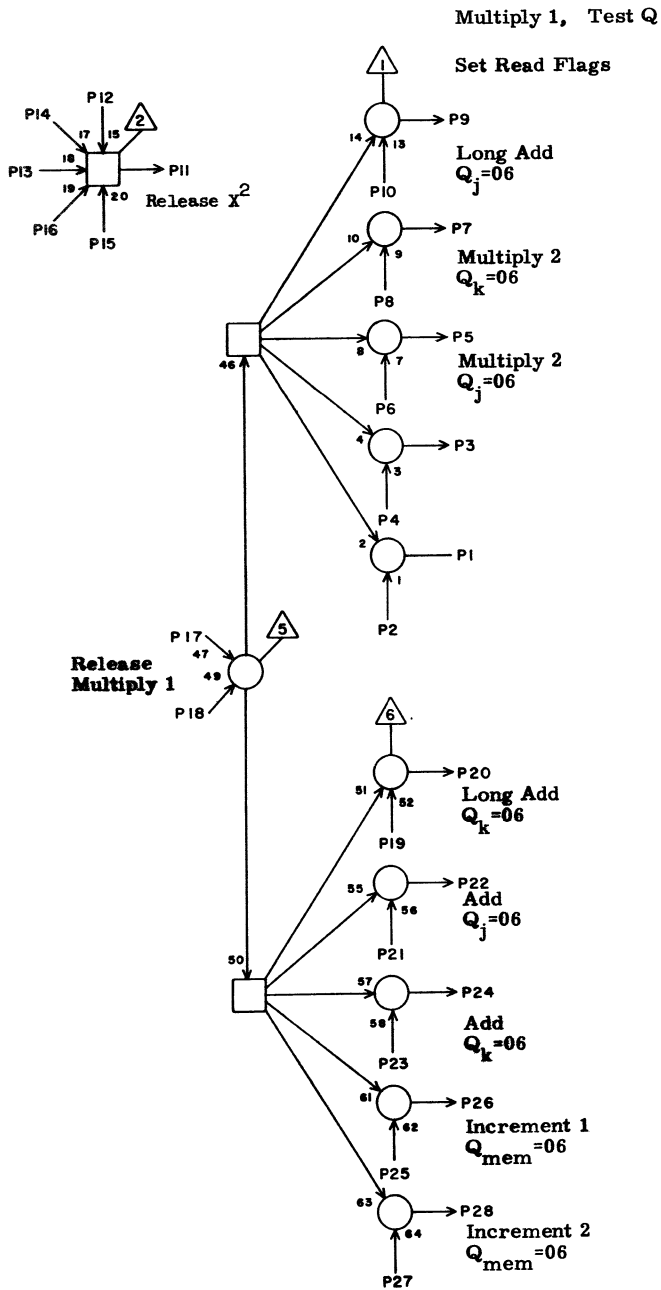
Multiply 1, Test Q



IJ 5J30

1	K01	14	29
2	J01	25	29
3	K02	14	29
4	J02	25	29
5	K03	14	29
6	J03	25	27
7	K04	14	27
8	J04	25	27
9	K05	11	25
10	J05	25	25
11	H03	16	29
12	I26	9	9
13	I30	9	7
14	I28	26	13
15	L30	26	13
16	L31	26	13
17	J25	8	7
18			
19	J06	25	25
20	K06	11	25
21	J07	25	25
22	K07	11	25
23	J08	25	23
24	K08	11	23
25	J09	25	23
26	K09	11	23
27	J10	25	25
28	K10	11	21

JACK PIN LG

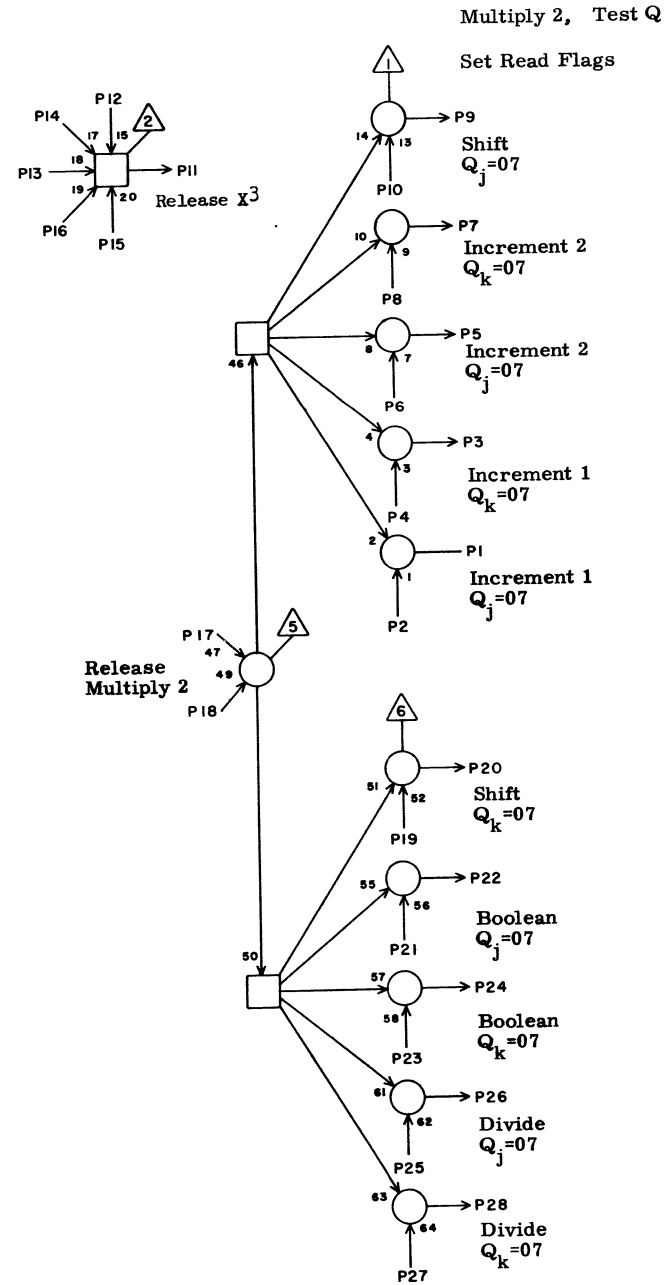


IJ 5J31

1			
2			
3			
4			
5	K13	11	21
6	J13	25	19
7	K14	11	19
8	J14	25	19
9	K15	11	17
10	J15	25	19
11	H03	12	29
12	L32	26	13
13	L33	26	13
14	L34	26	13
15	L35	26	13
16	K25	11	11
17	J25	16	11
18			
19	J16	25	17
20	K16	11	17
21	J17	25	17
22	K17	11	17
23	J18	25	15
24	K18	11	15
25	J19	25	15
26	K19	11	15
27	J20	25	15
28	K20	11	15

JACK PIN LG

60150800 Rev. B

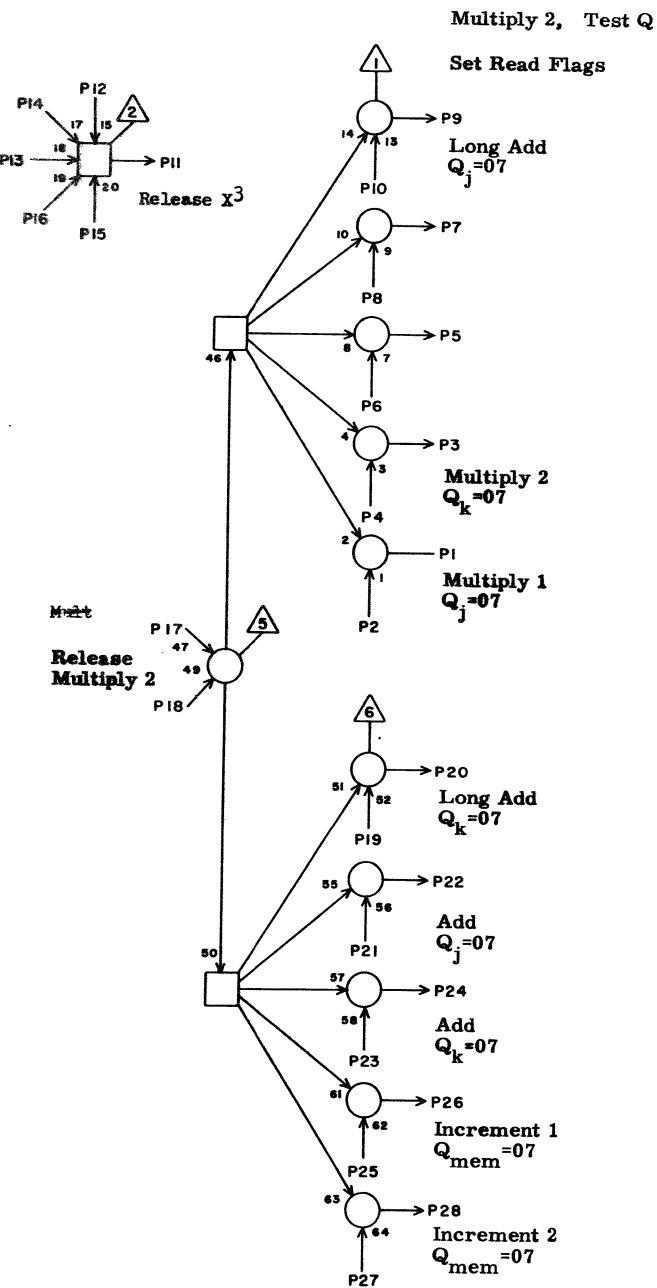


IJ 5J32

1	K01	15	31
2	J01	13	31
3	K02	15	31
4	J02	13	29
5	K03	15	29
6	J03	13	29
7	K04	15	29
8	J04	13	29
9	K05	9	27
10	J05	13	27
11	H04	16	31
12	I26	3	11
13	I30	3	9
14	I28	28	13
15	L30	28	13
16	L31	28	13
17	K21	8	15
18			
19	J06	13	27
20	K06	9	25
21	J07	13	25
22	K07	9	25
23	J08	13	25
24	K08	9	25
25	J09	13	25
26	K09	9	25
27	J10	13	23
28	K10	9	23

JACK PIN LG

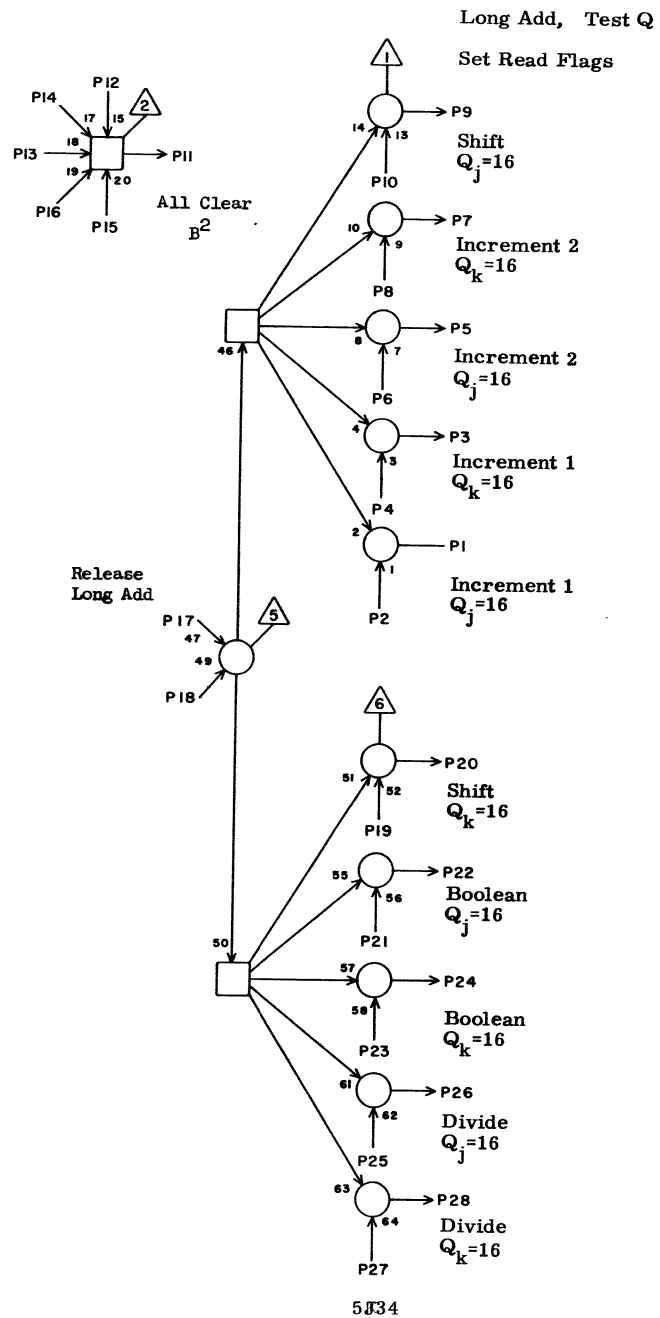
60150800 Rev. B



IJ

			5J33
1	K11	9	25
2	J11	13	23
3	K12	9	21
4	J12	13	23
5			
6	J13	13	21
7			
8			
9	K15	9	19
10	J15	13	19
11	H04	12	31
12	L32	28	13
13	L33	28	13
14	L34	28	13
15	L35	28	13
16	L23	11	15
17	K21	16	15
18			
19	J16	13	19
20	K16	9	19
21	J17	13	19
22	K17	9	19
23	J18	13	17
24	K18	9	17
25	J19	13	17
26	K19	9	17
27	J20	13	15
28	K20	9	15

JACK PIN LG



IJ

			5J34
1	K01	17	31
2	J01	21	33
3	K02	17	33
4	J02	21	31
5	K03	17	31
6	J03	21	31
7	K04	17	31
8	J04	21	27
9	K05	7	29
10	J05	21	29
11	N18	1	25
12	L02	5	31
13	L04	5	31
14	L06	5	29
15	L08	5	29
16	L09	5	27
17	K22	8	15
18			
19	J06	21	29
20	K06	7	27
21	J07	21	27
22	K07	7	27
23	J08	21	27
24	K08	7	25
25	J09	21	27
26	K09	7	25
27	J10	21	25
28	K10	7	25

JACK PIN LG

Long Add, Test Q

Set Read Flags

Multiply 2
 $Q_k=16$

Multiply 2
 $Q_j=16$

Multiply 1
 $Q_k=16$

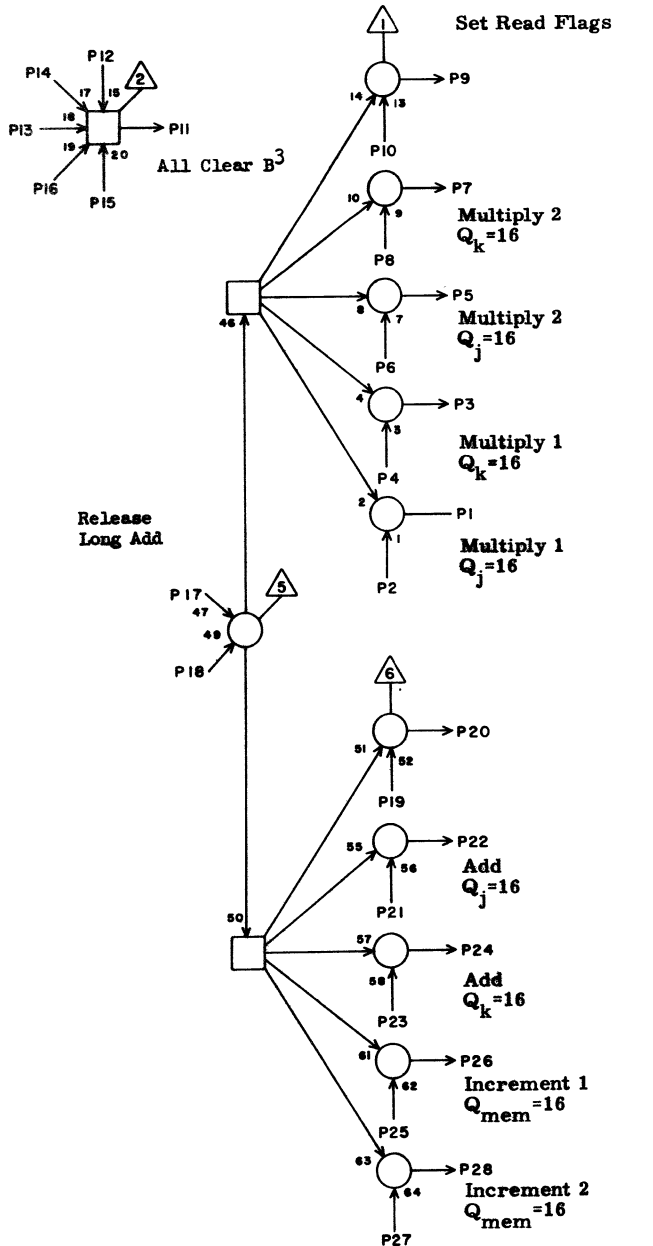
Multiply 1
 $Q_j=16$

Add
 $Q_j=16$

Add
 $Q_k=16$

Increment 1
 $Q_{mem}=16$

Increment 2
 $Q_{mem}=16$



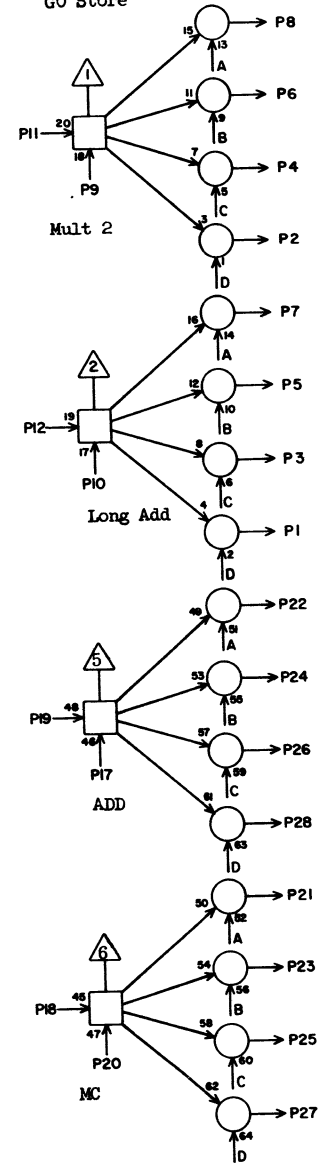
IJ 5J35

1	K11	7	25
2	J11	21	25
3	K12	7	25
4	J12	21	25
5	K13	7	25
6	J13	21	23
7	K14	7	25
8	J14	21	23
9			
10			
11	N18	25	25
12	L02	9	33
13	L04	9	31
14	L06	9	29
15	L08	9	27
16	L09	9	27
17	K22	16	15
18			
19			
20			
21	J17	21	19
22	K17	7	21
23	J18	21	19
24	K18	7	19
25	J19	21	17
26	K19	7	17
27	J20	21	17
28	K20	7	17

JACK PIN LG

60150800 Rev. B

GO Store



P16 → 43 A

P14 → 2 B

P15 → 44 C

P13 → 22 D

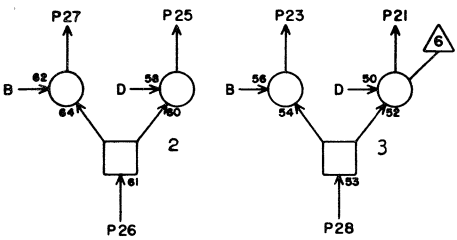
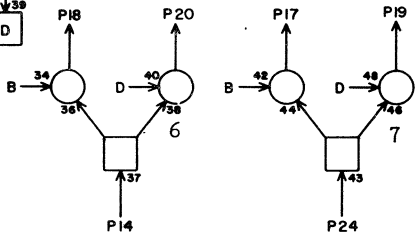
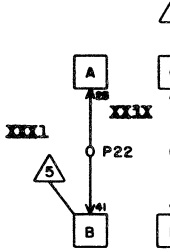
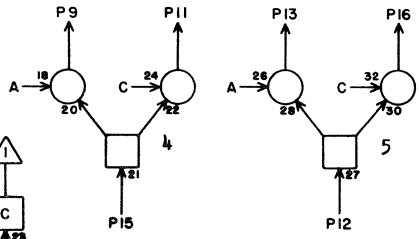
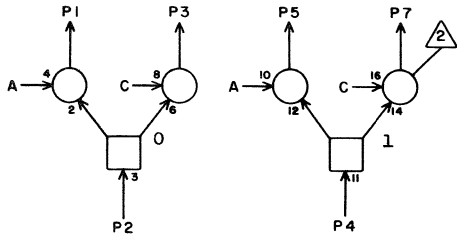
IR 5J36

1	G15	10	120
2	G12	8	27
3	F29	11	19
4	F28	11	19
5	H24	6	17
6	H38	6	120
7	K22	20	17
8	K21	20	19
9	L33	1	13
10	L34	1	13
11	N30	13	19
12	N30	11	19
13	C39	5	29
14	C33	5	31
15	C38	5	31
16	C40	5	29
17	L35	1	11
18	I34	9	120
19	N30	1	19
20	N30	8	19
21	I41	4	11
22	G18	8	23
23	H39	6	13
24	F29	16	21
25	F18	8	27
26	K23	20	15
27	F19	10	27
28	H39	8	11

JACK PIN LG

60150800 Rev. AW

Set A Desig

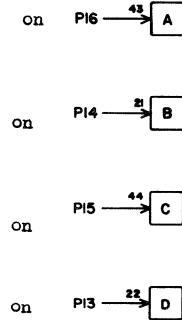
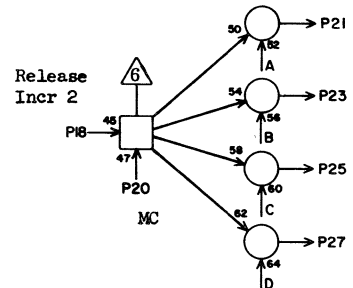
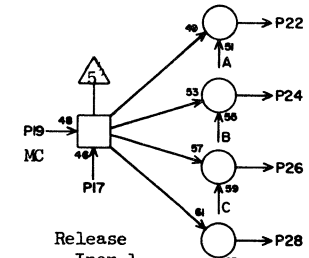
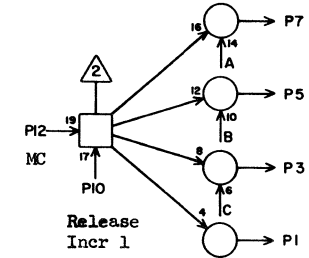
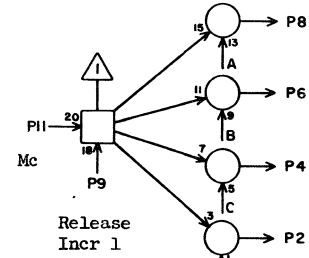


CH 5J37

1	H09	9	29
2	H26	4	17
3	H09	19	29
4	H26	3	17
5	H10	9	29
6			
7	H10	19	29
8			
9	N11	9	31
10	P10	25	37
11	N11	19	31
12	H27	3	17
13	N12	9	31
14	H27	23	15
15	H27	4	17
16	N12	19	31
17	N14	9	29
18	N13	9	29
19	N14	19	29
20	N13	19	29
21	H12	19	27
22	P10	28	37
23	H12	9	27
24	H27	24	17
25	H11	19	27
26	H26	23	17
27	H11	9	25
28	H26	24	17

JACK PIN LG

GO STORE

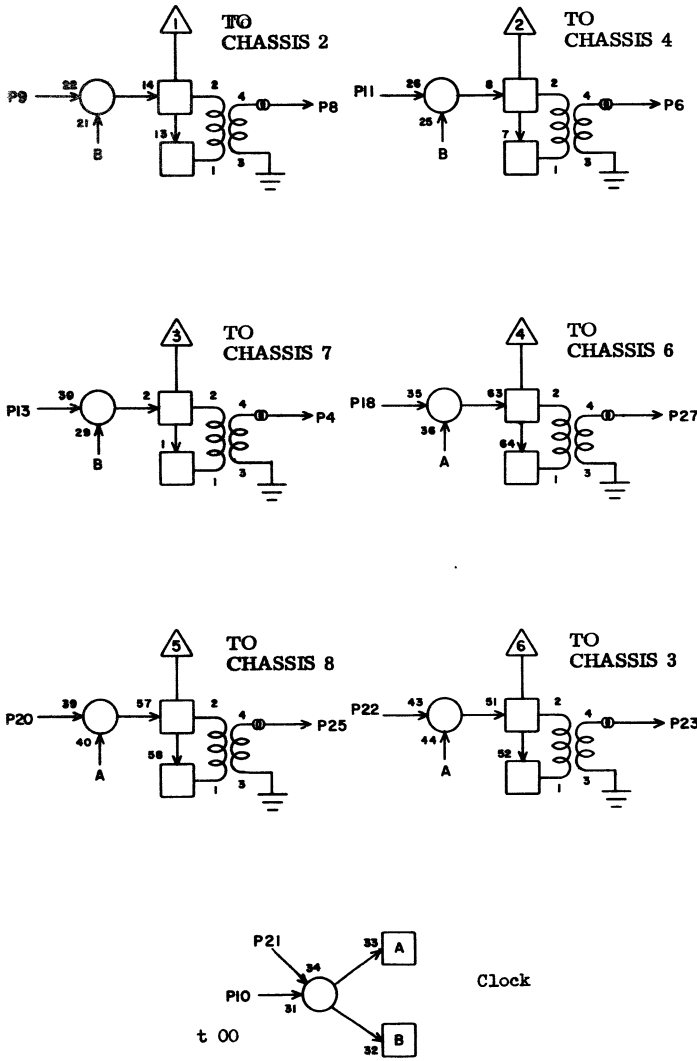


IR 5J38

1	E12	23	31
2	Q18	23	37
3			
4	M10	5	31
5	M10	22	31
6			
7	F14	10	29
8	F07	10	35
9	I29	19	156
10	I30	19	156
11	N29	8	21
12	N29	10	21
13	C31	5	31
14	C29	5	31
15	C30	5	31
16	C32	5	31
17	I26	19	156
18	I31	19	156
19	N29	12	21
20	N29	2	19
21	F12	10	31
22	F05	10	37
23	F13	10	31
24	F06	10	35
25			
26			
27			
28	E13	9	33

JACK PIN LG

CHASSIS CLOCK TRANSFER

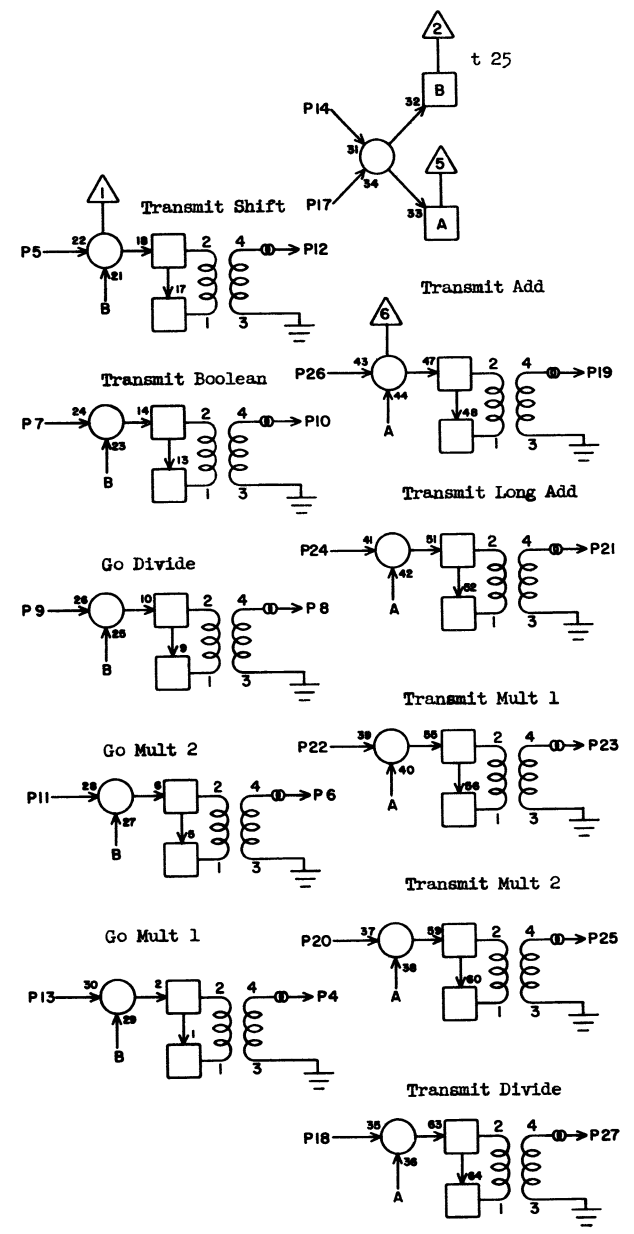


PL 5J39

1			
2			
3			
4	W22	901	
5			
6	W28	900	
7			
8	W27	901	
9			
10	H19	28	23
11			
12			
13			
14			
15			
16			
17			
18			
19			
20			
21			
22			
23	W29	900	
24			
25	W15	900	
26			
27	W14	96	
28			

JACK PIN LG

60150800 Rev. B

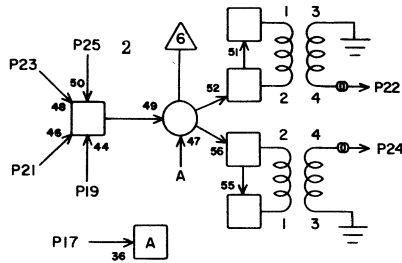
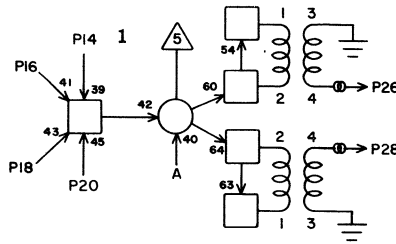
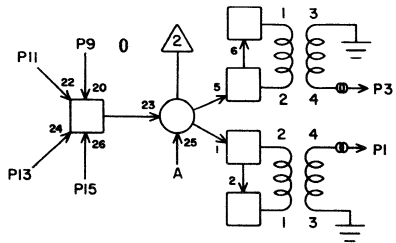
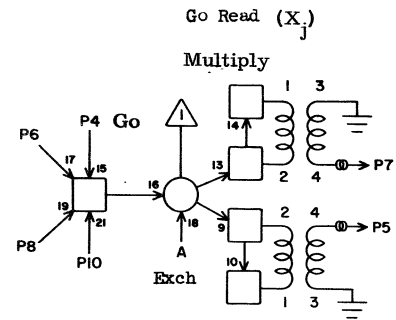


JQ 5J40

1			
2			
3			
4	W14	90	
5	L11	13	31
6	W14	900	
7	L12	13	29
8	W13	903	
9	H23	2	23
10	W13	99	
11	H23	27	19
12	W12	902	
13	H23	16	21
14	P41	13	27
15			
16			
17			
18	L17	13	25
19	W12	903	
20	L16	13	27
21	W12	901	
22	L15	13	27
23	W14	93	
24	L07	13	33
25	W14	94	
26	L14	13	27
27	W13	900	
28			

JACK PIN LG

60150800 Rev. A

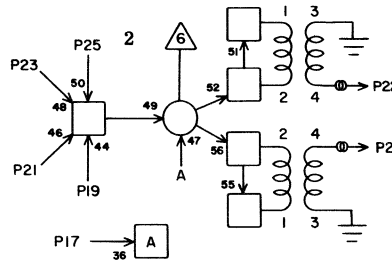
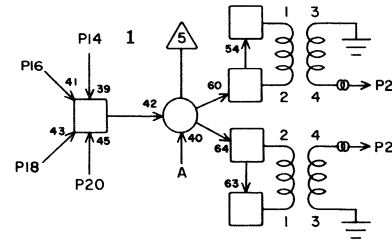
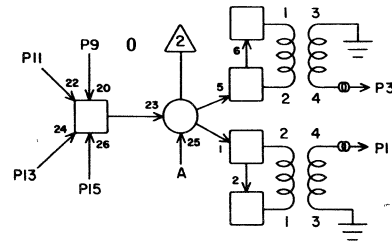
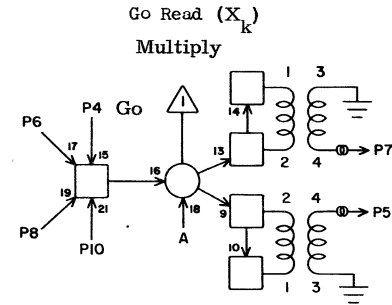


IZ 5J41

1	W16	97	
2			
3	W17	901	
4	H37	22	13
5	W22	99	
6	H37	21	11
7	W17	900	
8	H37	8	13
9	G07	5	35
10	I36	22	7
11	G10	5	33
12			
13	G04	5	39
14	G07	19	35
15	G01	5	41
16	G10	19	33
17	P42	25	27
18	G04	19	39
19	G01	26	41
20	G01	19	41
21	G04	26	39
22	W16	99	
23	G10	26	33
24	W17	903	
25	G07	26	35
26	W16	98	
27			
28	W17	902	

JACK PIN LG

60150800 Rev. B



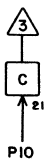
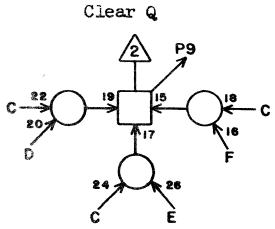
IZ 5J42

1	W16	94	
2			
3	W15	95	
4	H37	24	13
5	W16	93	
6	H37	23	13
7	W15	94	
8	H37	6	13
9	G08	5	35
10	I36	24	11
11	G11	5	33
12			
13	G05	5	39
14	G08	19	35
15	G02	5	41
16	G11	19	33
17	P42	23	27
18	G05	19	39
19	G02	26	41
20	G02	19	41
21	G05	26	39
22	W16	96	
23	G11	26	33
24	W15	97	
25	G08	26	35
26	W16	95	
27			
28	W15	96	

JACK PIN LG

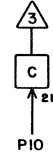
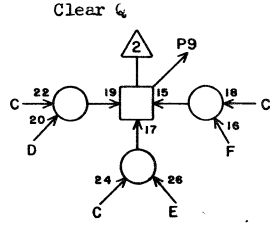
60150800 Rev. B

5J42



IM 5K01

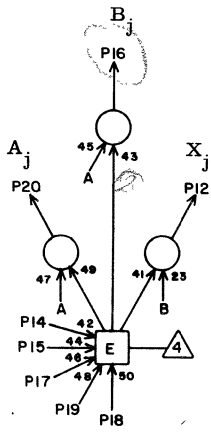
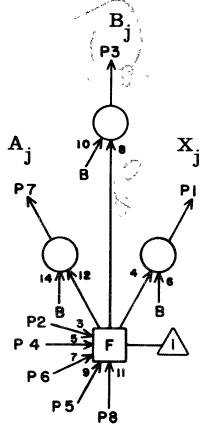
	JACK	PIN	LG
1	L01	12	13
2	N30	10	31
3	L02	12	7
4	I30	18	31
5	I34	1	33
6	J26	1	25
7	L03	12	7
8	J28	1	27
9			
10			
11	G27	26	29
12	L01	14	7
13	M10	1	15
14	J30	1	29
15	J32	1	31
16	L02	14	7
17	J34	1	31
18	K26	1	27
19	K28	1	27
20	L03	14	7
21	K30	1	29
22	L01	16	7
23	K32	1	31
24	K34	1	33
25	L26	1	27
26	L02	16	7
27	J01	17	7
28	L03	16	5



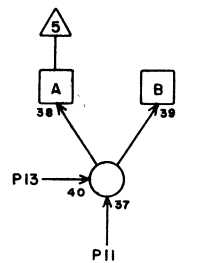
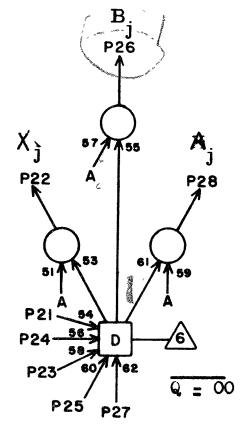
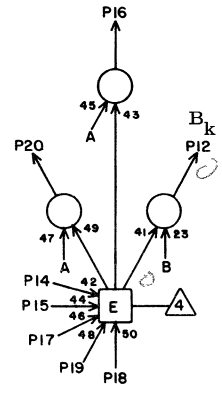
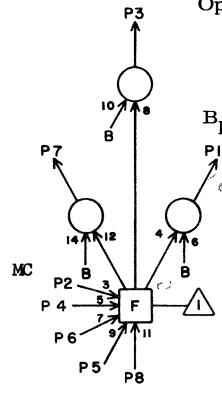
IM 5K02

	JACK	PIN	LG
1	L04	12	7
2	N30	12	29
3			
4	I30	17	29
5	I34	3	33
6	J26	3	25
7			
8	J28	3	27
9			
10			
11	G27	28	29
12	L04	14	7
13	M10	2	13
14	J30	3	29
15	J32	3	31
16			
17	J34	3	33
18	K26	3	25
19	K28	3	37
20			
21	K30	3	27
22	L04	16	7
23	K32	3	29
24	K34	3	31
25	L26	3	25
26			
27	J02	17	7
28			

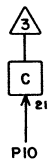
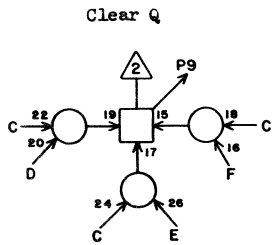
Set Read Flag Increment 1 Operand 1



Set Read Flag Increment 1 Operand 2



Flag

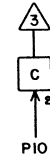
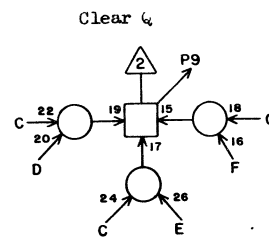


IM 5K03

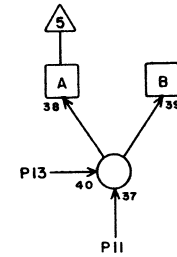
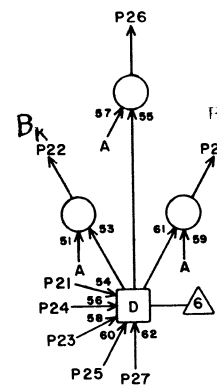
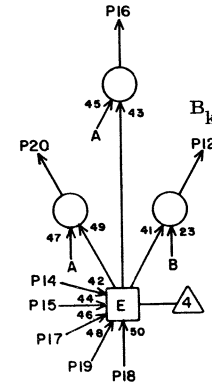
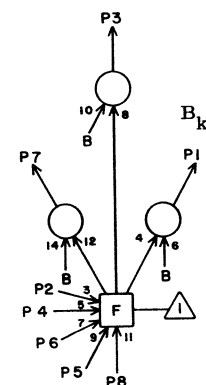
1	L05	12	7
2	I26	15	25
3	L06	12	7
4	N30	2	29
5	I34	5	31
6	J26	5	25
7	L07	12	7
8	J28	5	27
9			
10			
11	G27	1	29
12	L05	14	7
13	M10	24	15
14	J30	5	29
15	J32	5	29
16	L06	14	7
17	J34	5	31
18	K26	5	25
19	K28	5	27
20	L07	14	7
21	K30	5	27
22	L05	16	7
23	K32	5	29
24	K34	5	31
25	L26	5	25
26	L06	16	7
27	J03	17	7
28	L07	16	7

JACK PIN LG

60150800 Rev. T



Set Read Flag
Increment 2
Operand 2



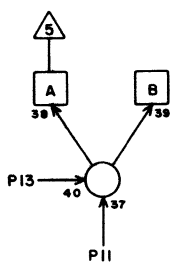
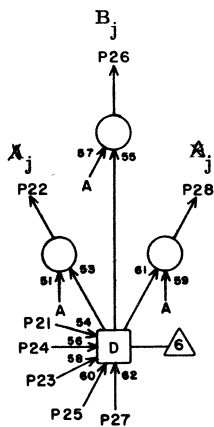
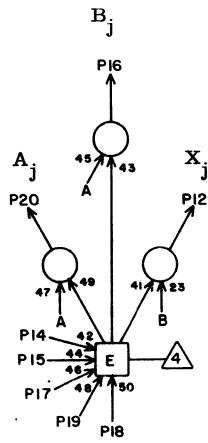
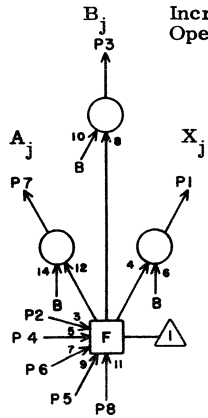
IM 5K04

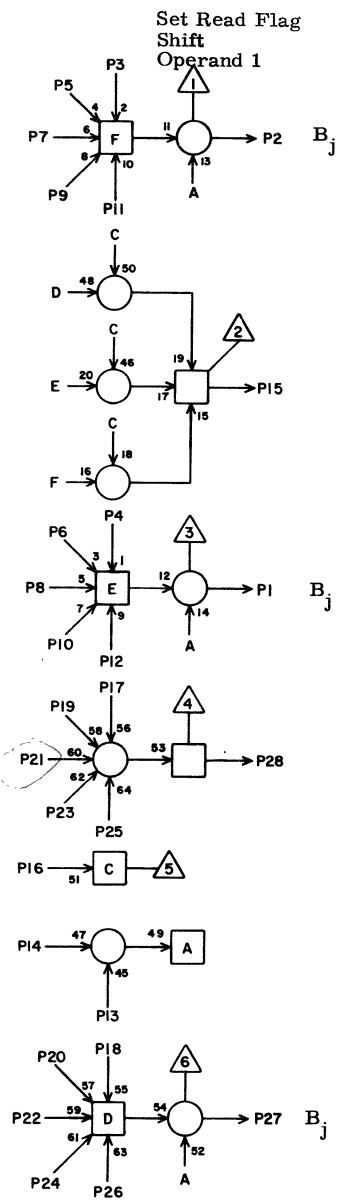
1	L08	12	7
2	I26	24	23
3			
4	M09	28	13
5	I34	7	31
6	J26	7	25
7			
8	J28	7	27
9			
10			
11	G27	3	29
12	L08	14	7
13	M10	26	13
14	J30	7	27
15	J32	7	29
16			
17	J34	7	31
18	K26	7	23
19	K28	7	25
20			
21	K30	7	27
22	L08	16	7
23	K32	7	29
24	K34	7	29
25	L26	7	23
26			
27	J04	17	7
28			

JACK PIN LG

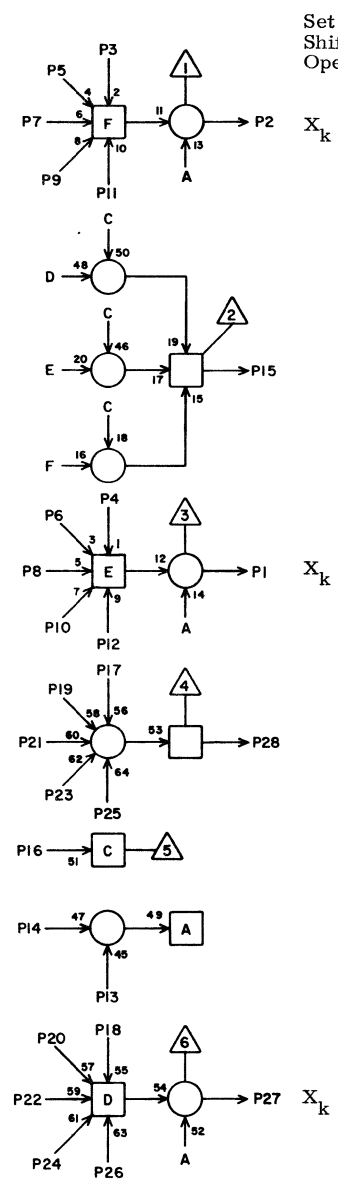
60150800 Rev. T

Set Read Flag
Increment 2
Operand 1

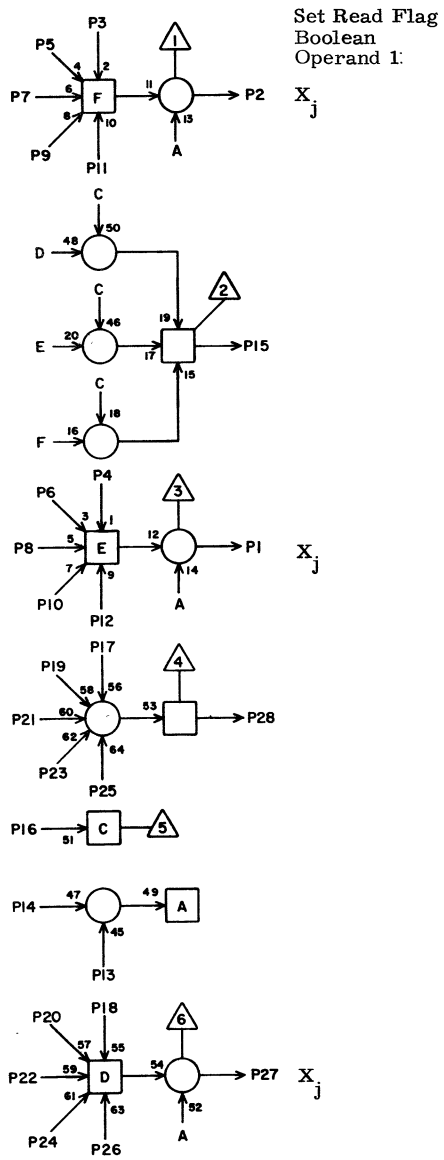




CP		5K05	
JACK	PIN	LG	
1	L09	12	7
2	L09	14	7
3	K26	9	23
4	I30	28	25
5	K28	9	25
6	J26	9	25
7	J34	9	29
8	J28	9	25
9	J32	9	27
10	I26	28	23
11	J30	9	25
12	Q18	7	23
13	N21	6	21
14	F27	19	31
15			
16			
17	H13	14	17
18	J05	17	7
19	H13	16	17
20	K30	9	27
21	H14	14	17
22	K32	9	27
23	H14	16	19
24	K34	9	27
25			
26	I26	9	23
27	L09	16	7
28	J25	21	21



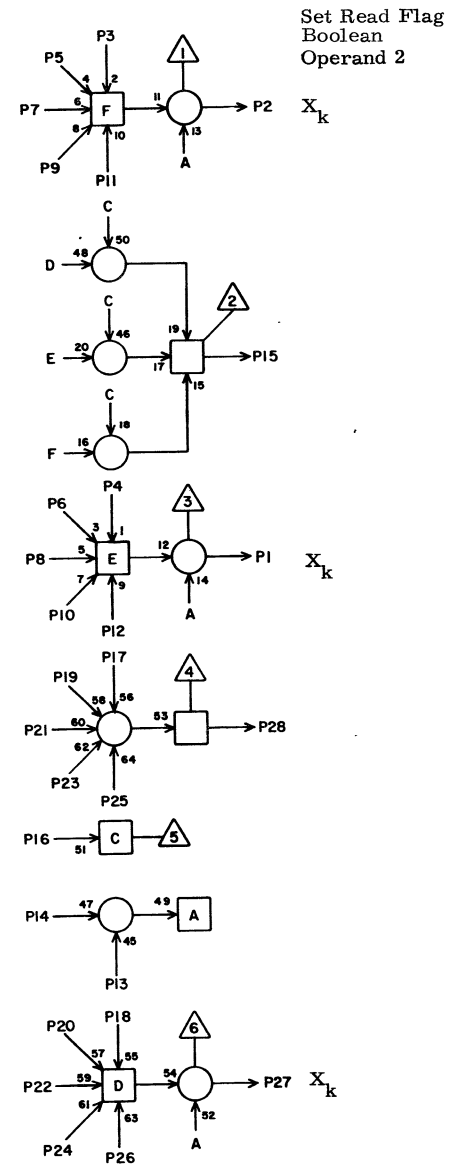
CP		5K06	
JACK	PIN	LG	
1	L10	12	7
2	L10	14	7
3	K26	20	21
4	I31	18	27
5	K28	20	23
6	J26	20	21
7	J34	20	27
8	J28	20	25
9	J32	20	25
10	I27	18	23
11	J30	20	25
12	O18	6	21
13	N21	4	23
14	F27	18	29
15			
16			
17	H15	14	19
18	J06	17	7
19	H15	16	19
20	K30	20	25
21	H16	14	19
22	K32	20	27
23	H16	16	19
24	K34	20	27
25			
26	I26	20	21
27	L10	16	7
28	J25	23	21



CP			
5K07			
1	L11	12	7
2	L11	14	7
3	K26	22	19
4	I31	17	25
5	K28	22	21
6	018	4	21
7	J34	22	27
8	J28	22	23
9	J32	22	25
10	I27	17	23
11	J30	22	25
12	I34	22	27
13	N21	15	23
14	F27	7	29
15			
16			
17	Q33	7	35
18	J07	17	7
19	F41	9	39
20	K30	22	23
21			
22	K32	22	25
23			
24	K34	22	27
25			
26	L26	22	21
27	L11	16	7
28	039	5	33

JACK PIN LG

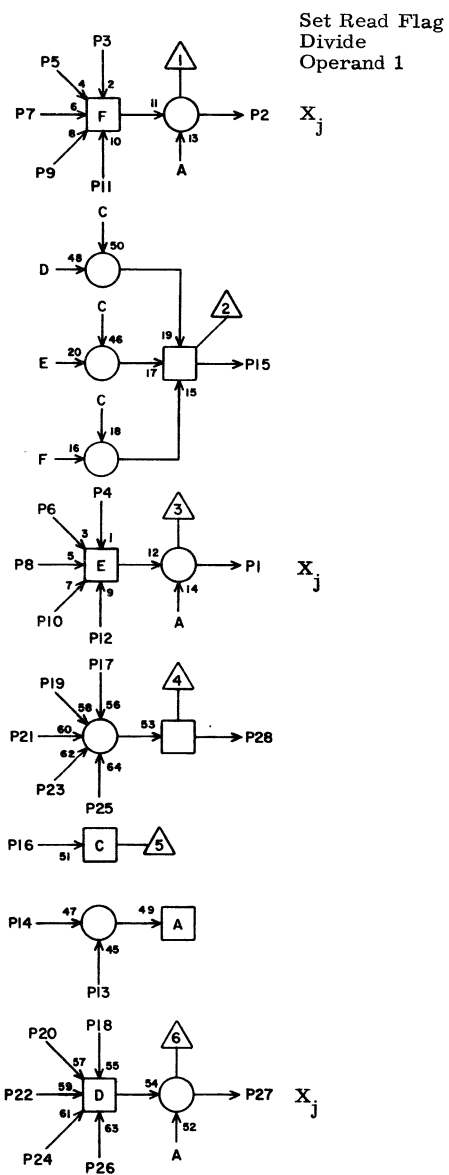
60150800 Rev. T



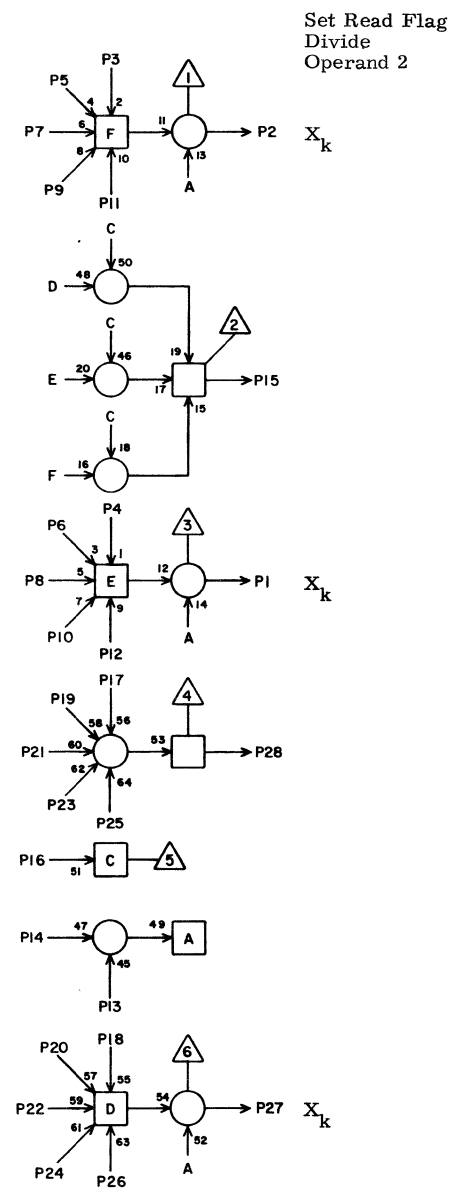
CP			
5K08			
1	L12	12	7
2	L12	14	7
3	K26	24	19
4	I31	15	25
5	K28	24	21
6	N29	25	25
7	J34	24	25
8	J28	24	21
9	J32	24	25
10	I27	15	23
11	J30	24	23
12	I34	24	27
13	N21	7	19
14	F27	9	29
15			
16			
17	G19	21	23
18	J08	17	7
19			
20	K30	24	23
21	N22	19	23
22	K32	24	25
23			
24	K34	24	27
25			
26	I26	24	19
27	L12	16	7
28	038	16	33

JACK PIN LG

60150800 Rev. T

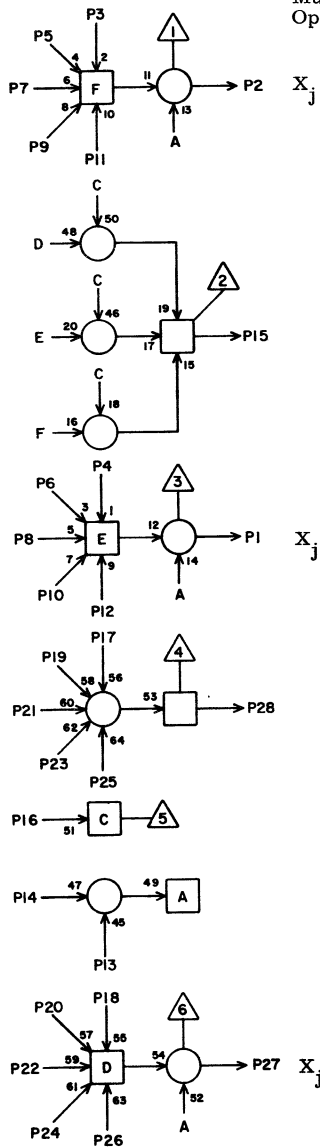


CP		5K09	
JACK	PIN	JACK	LG
1	L13	12	7
2	L13	14	7
3	K26	26	19
4	I31	24	23
5	K28	26	21
6	J26	26	19
7	J34	26	25
8	N29	23	25
9	J32	26	25
10	I27	24	21
11	J30	26	23
12	I34	26	27
13	N21	9	19
14	F30	19	29
15			
16			
17	N11	25	15
18	J09	17	7
19	N12	25	15
20	K30	26	23
21	N13	25	15
22	K32	26	23
23	N14	25	17
24	K34	26	25
25			
26	I26	26	19
27	L13	16	7
28	J22	26	17



CP		5K10	
JACK	PIN	JACK	LG
1	L14	12	7
2	L14	14	7
3	K26	28	17
4	I31	28	23
5	K28	28	19
6	J26	28	17
7	J34	28	25
8	N29	26	25
9	J32	28	23
10	I27	28	19
11	J30	28	21
12	I34	28	25
13	N21	11	19
14	F30	18	29
15			
16			
17	H12	1	17
18	J10	17	7
19	H11	1	17
20	K30	28	21
21	H10	1	17
22	K32	28	23
23	H09	1	17
24	K34	28	25
25			
26	I26	28	19
27	L14	16	7
28	J21	25	15

Set Read Flag
Multiply 1
Operand 1



X_j

X_j

X_j

CP

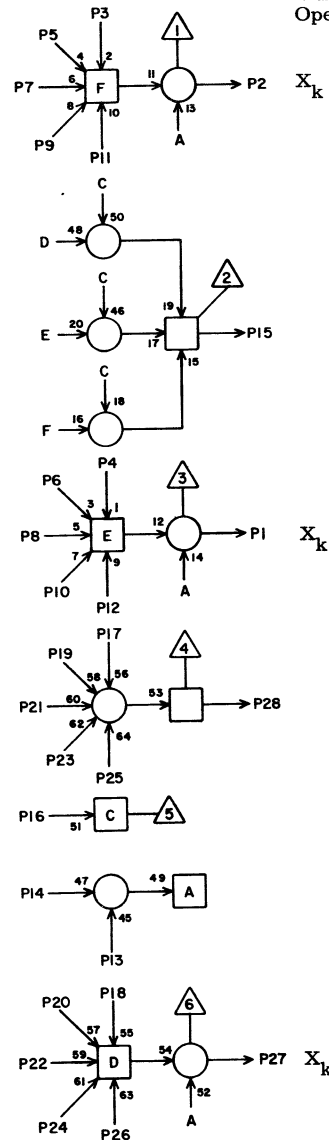
5K11

1	L15	12	7
2	L15	14	7
3	K27	1	17
4	I32	18	23
5	K29	1	19
6	J27	1	19
7	J35	1	25
8	J29	1	21
9	J33	1	25
10	I28	18	21
11	N29	24	23
12	I35	1	27
13	N21	13	17
14	F28	19	27
15			
16			
17	N11	1	15
18	J11	17	7
19	N12	1	15
20	K31	1	21
21	N13	1	15
22	K33	1	23
23	N14	1	15
24	K35	1	25
25			
26	L27	1	17
27	L15	16	7
28	J21	26	13

JACK PIN LG

60150800 Rev. T

Set Read Flag
Multiply 1
Operand 2



X_k

X_k

X_k

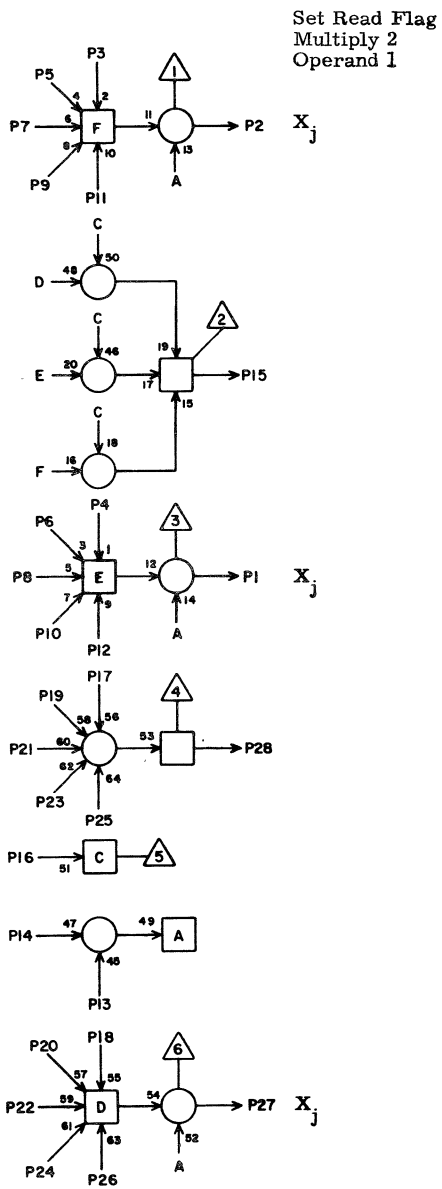
CP

5K12

1	L16	12	7
2	L16	14	7
3	K27	3	17
4	I32	17	23
5	K29	3	19
6	J27	3	17
7	J35	3	25
8	J29	3	17
9	J33	3	21
10	I28	17	19
11	N29	22	23
12	I35	3	27
13	N21	1	17
14	F28	18	27
15			
16			
17	H09	25	17
18	J12	17	5
19	H10	25	15
20	K31	3	21
21	H11	25	17
22	K33	3	23
23	H12	25	17
24	K35	3	23
25			
26	I27	3	17
27	L16	16	7
28	J22	25	13

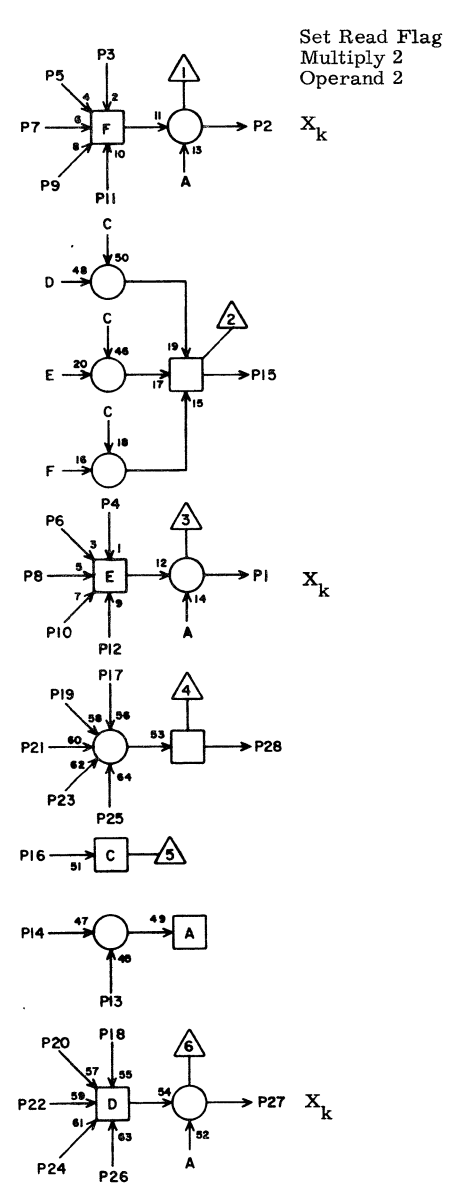
JACK PIN LG

60150800 Rev. T



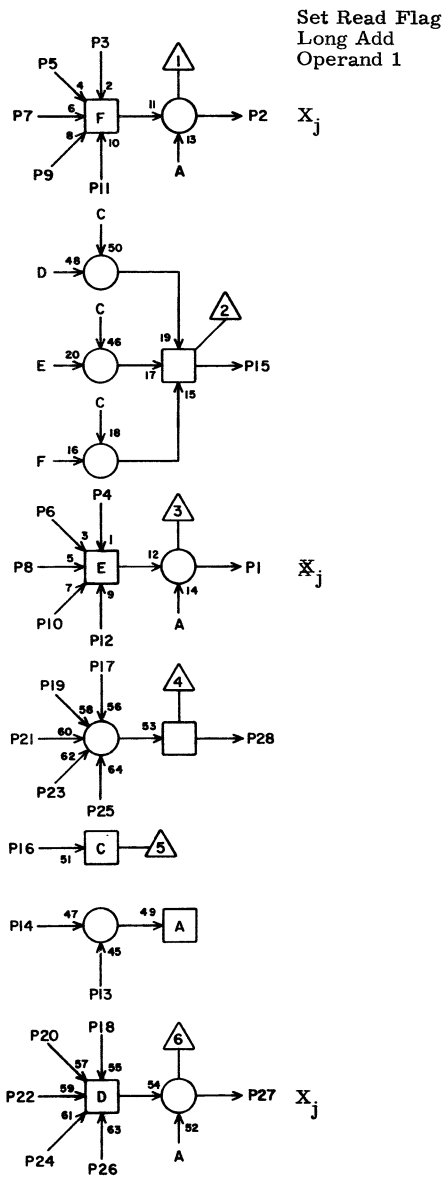
CP			
5K13			
1	L17	12	7
2	L17	14	7
3	K27	5	17
4	I32	15	23
5	K29	5	19
6	J27	5	17
7	J35	5	25
8	J29	5	19
9	N29	20	21
10	I28	15	19
11	J31	5	21
12	I35	5	25
13	N21	8	17
14	F28	7	27
15			
16			
17	N11	18	15
18	J13	17	7
19	N12	18	15
20	K31	5	19
21	N13	18	15
22	K33	5	21
23	N14	18	15
24	K35	5	23
25			
26	L27	5	17
27	L17	16	7
28	K21	26	11

JACK PIN LG



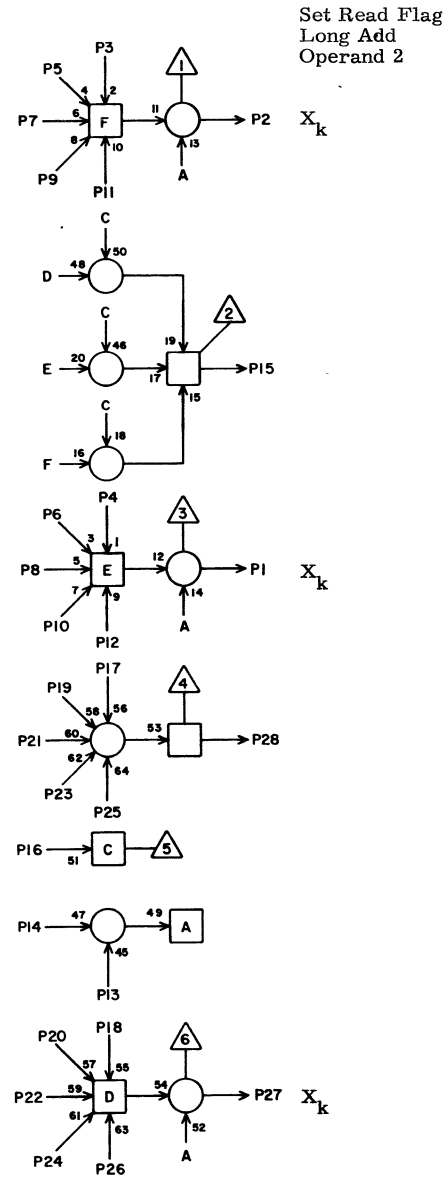
CP			
5K14			
1	L18	12	7
2	L18	14	7
3	K27	7	15
4	I32	24	21
5	K29	7	17
6	J27	7	17
7	J35	7	25
8	J29	7	17
9	N29	18	21
10	I28	24	17
11	J31	7	19
12	I35	7	23
13	N21	10	17
14	F28	9	27
15			
16			
17	H09	5	17
18	J14	17	7
19	H10	5	17
20	K31	07	19
21	H11	5	17
22	K33	7	21
23	H12	5	17
24	K35	7	23
25			
26	L27	7	17
27	L18	16	7
28	J25	25	15

JACK PIN LG



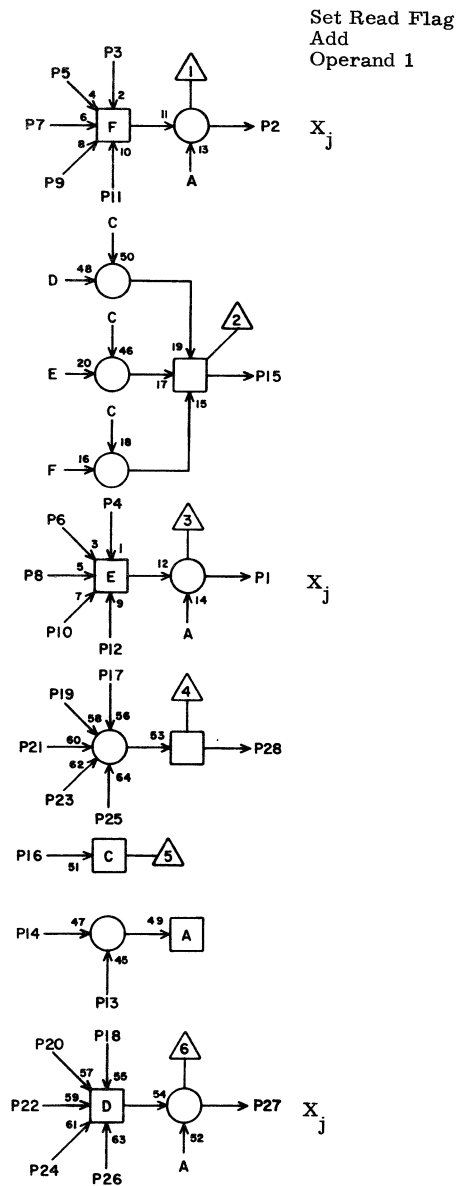
CP	5K15		
JACK	PIN	LG	
1	L19	12	7
2	L19	14	7
3	K27	9	15
4	I32	28	19
5	K29	9	17
6	J27	9	15
7	N29	28	21
8	J29	9	15
9	J33	9	19
10	I28	28	17
11	J31	09	17
12	I35	9	23
13	N21	12	17
14	F29	7	27
15			
16			
17	N11	5	15
18	J15	17	5
19	N12	5	15
20	K31	9	19
21	N13	5	15
22	K33	9	21
23	N14	5	15
24	K35	9	21
25			
26	L27	9	15
27	L19	16	7
28	J25	26	13

60150800 Rev. T



CP	5K16		
JACK	PIN	LG	
1	L20	12	7
2	L20	14	7
3	K27	20	13
4	I33	18	21
5	K29	20	15
6	J27	20	15
7	N29	21	19
8	J29	20	15
9	J33	20	19
10	I29	18	17
11	J31	20	17
12	I35	20	21
13	N21	2	17
14	F29	9	25
15			
16			
17	H09	18	17
18	J16	17	7
19	H10	18	17
20	K31	20	17
21	H11	18	17
22	K33	20	17
23	H12	18	17
24	K35	20	19
25			
26	L27	20	15
27	L20	16	7
28	K21	25	7

60150800 Rev. T

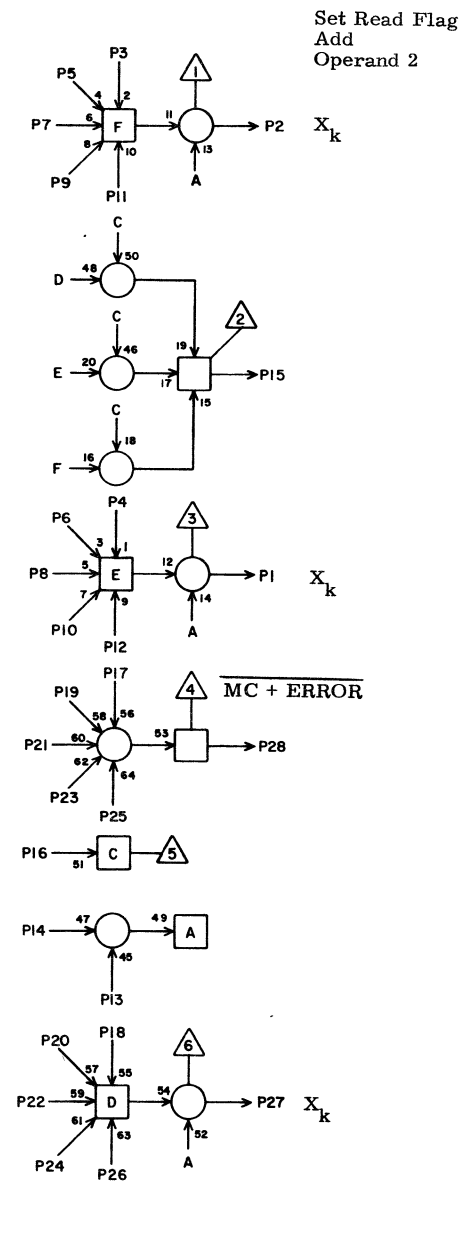


CP **5K17**

1	L21	12	7
2	L21	14	7
3	N29	19	19
4	I33	17	21
5	K29	22	15
6	J27	22	15
7	J35	22	21
8	J29	22	15
9	J33	22	19
10	I29	17	17
11	J31	22	17
12	I35	22	21
13	Q32	4	39
14	F29	19	25
15			
16			
17	M09	26	13
18	J17	17	7
19	M21	22	11
20	K31	22	17
21			
22	K33	22	19
23			
24	K35	22	21
25			
26	L27	22	15
27	L21	16	7
28	F35	16	29

JACK PIN LG

60150800 Rev. T



CP **5K18**

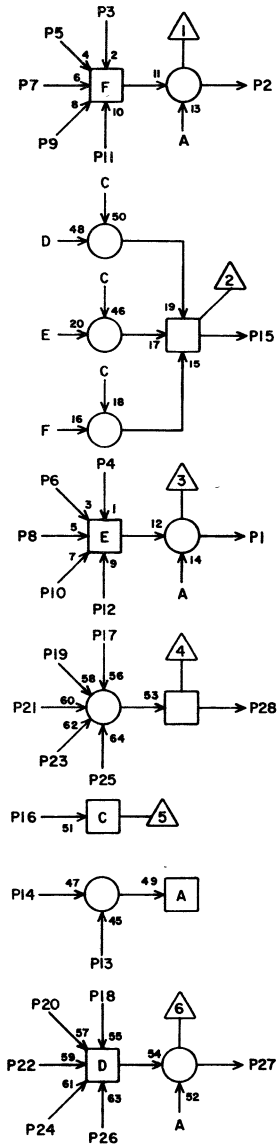
1	L22	12	7
2	L22	14	7
3	N29	17	19
4	I33	15	19
5	K29	24	13
6	J27	24	11
7	J35	24	19
8	J29	24	13
9	J33	24	17
10	I29	15	17
11	J31	24	15
12	I35	24	21
13	Q32	2	39
14	F29	18	25
15			
16			
17	M23	19	11
18	J18	17	7
19	N21	20	19
20	K31	24	15
21			
22	K33	24	17
23			
24	K35	24	19
25			
26	L27	24	13
27	L22	16	7
28	F37	1	31

JACK PIN LG

5K18

60150800 Rev. T

SET FLAG
Memory

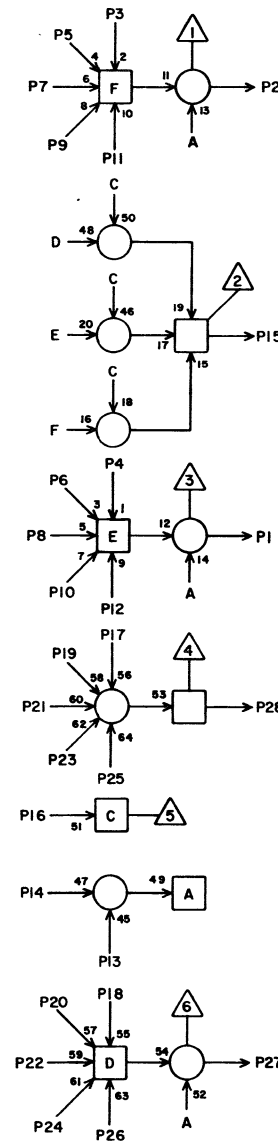


CP		5K19	
1	M10	6	17
2	M10	7	17
3	K27	26	11
4	I33	24	17
5	K29	26	13
6	J27	26	11
7	J35	26	17
8	J29	26	13
9	J33	26	17
10	I29	24	15
11	J31	26	15
12	I35	26	19
13	G27	20	19
14	M10	3	17
15			
16			
17	N26	21	19
18	J19	17	7
19	N22	17	19
20	K31	26	15
21			
22	K33	26	17
23			
24	K35	26	19
25			
26	I27	26	13
27	M10	8	17
28	I40	26	29

JACK PIN LG

60150800 Rev. T

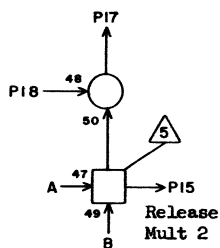
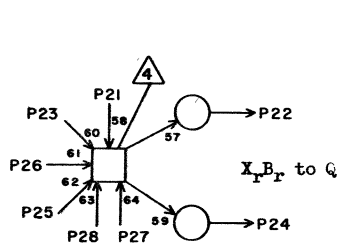
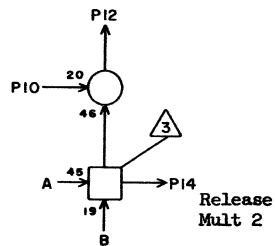
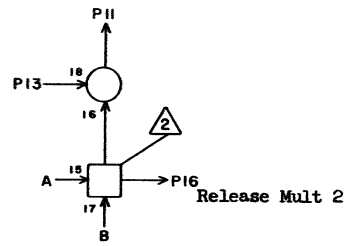
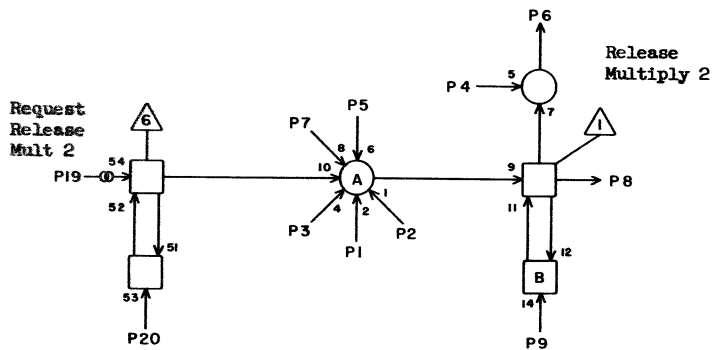
SET FLAG
Memory



CP		5K20	
1	M10	20	17
2	M10	21	17
3	K27	28	11
4	I33	28	17
5	K29	28	11
6	J27	28	11
7	J35	28	17
8	J29	28	13
9	J33	28	15
10	I29	28	15
11	J31	28	15
12	I35	28	19
13	G27	14	19
14	M10	28	17
15			
16			
17	O16	13	19
18	J20	17	5
19	A20	9	41
20	K31	28	13
21			
22	K33	28	15
23			
24	K35	28	17
25			
26	I27	28	13
27	M10	25	17
28	F33	4	27

JACK PIN LG

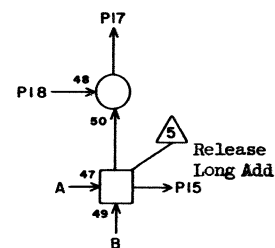
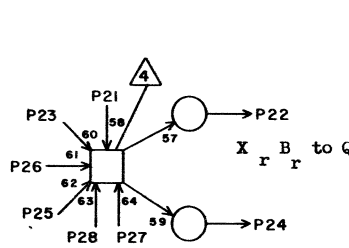
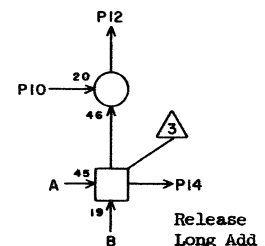
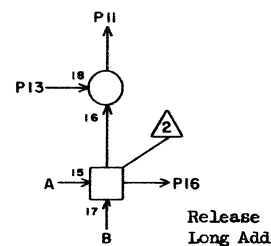
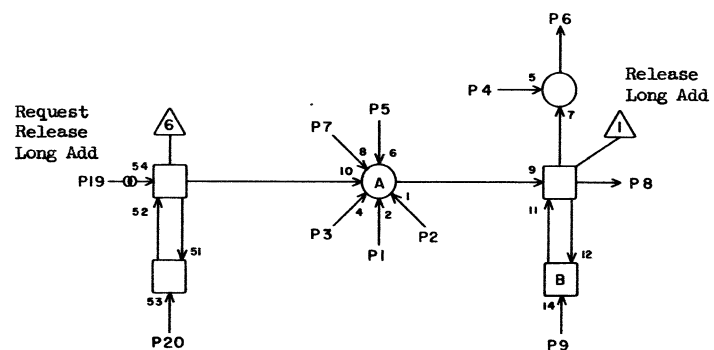
60150800 Rev. T



IL 5K21

1	H19	13	15
2	I18	28	11
3	I18	19	11
4			
5	H25	17	15
6	K39	19	19
7	J25	12	7
8	J32	17	15
9	G19	10	19
10			
11	L16	11	11
12			
13			
14	L33	15	15
15			
16	J33	17	15
17			
18			
19	W14	905	
20	J36	8	19
21	I07	28	19
22	M24	6	11
23	I08	28	17
24	M25	6	11
25	K16	28	7
26	K13	28	11
27			
28			

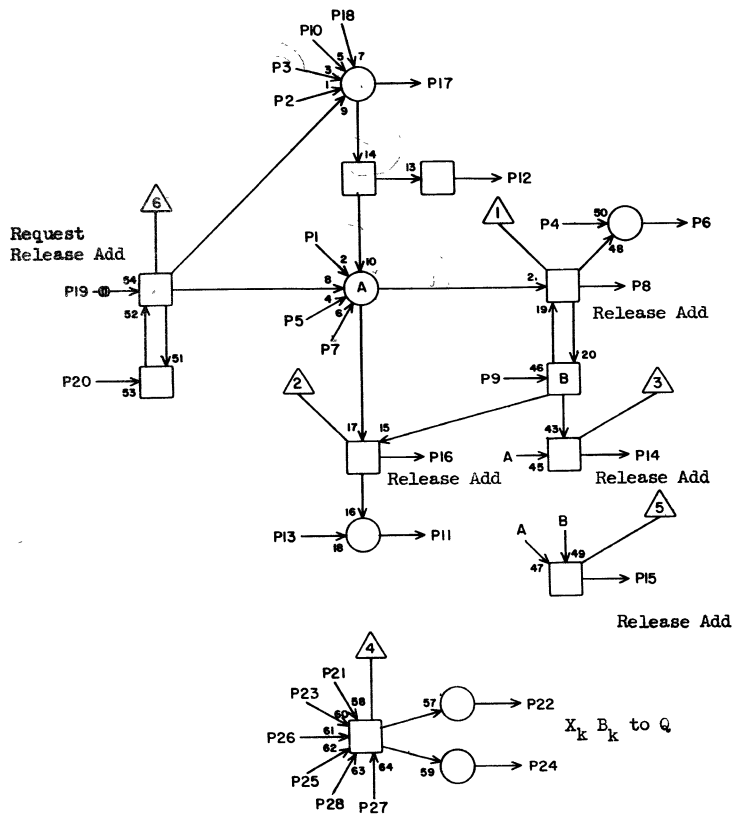
JACK PIN LG



IL 5K22

1	H19	1	15
2	I19	28	11
3	I19	19	11
4			
5	J22	12	5
6	L 7	10	17
7	K23	12	3
8	J34	17	15
9	G19	12	19
10			
11			
12			
13			
14	L34	15	15
15			
16	J35	17	15
17			
18			
19	W12	906	
20	J36	7	17
21	I09	28	19
22	M26	3	11
23	I10	28	17
24	M27	3	11
25			
26			
27			
28			

JACK PIN LG

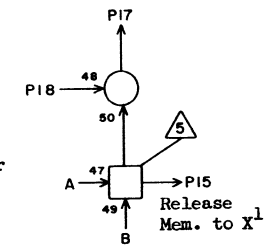
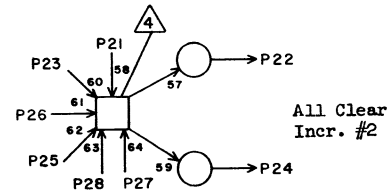
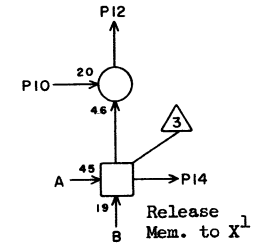
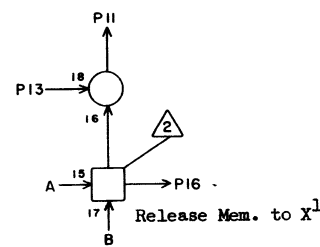
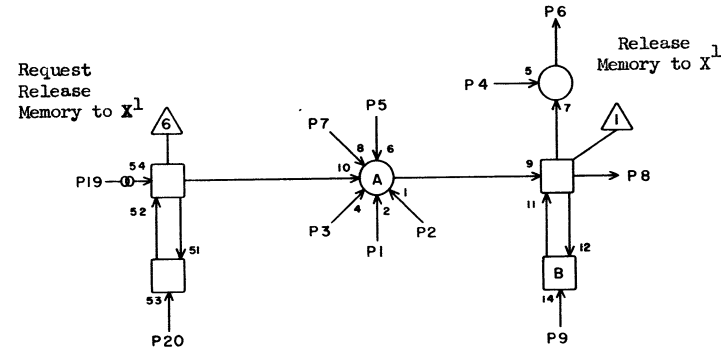


CW 5K23

1	H19	8	15
2	I20	28	11
3	I20	19	11
4			
5	J22	17	7
6			
7			
8	K26	17	5
9	G19	2	19
10			
11	L14	11	13
12	K22	7	3
13			
14	L35	15	15
15			
16	K27	17	7
17			
18			
19	W26	98	
20	J36	26	15
21	I11	28	17
22	M26	6	11
23	I12	28	17
24	M27	6	11
25			
26			
27			
28			

JACK PIN LG

60150800 Rev. A

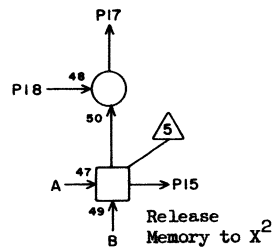
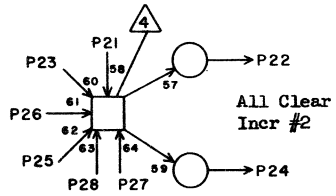
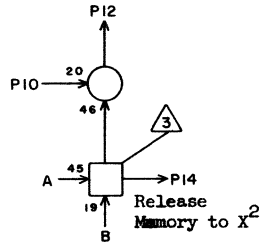
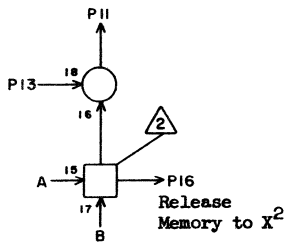
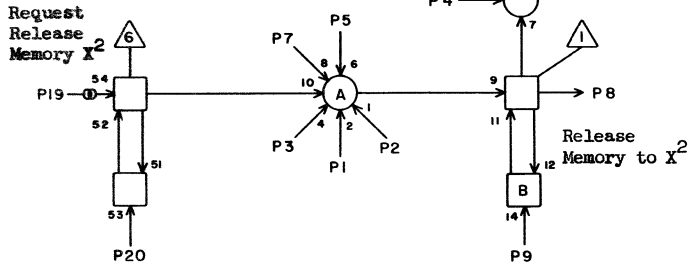


IL 5K24

1	H19	10	15
2	M13	28	15
3			
4			
5			
6			
7			
8	K28	17	7
9	G19	15	19
10	P41	15	29
11	J29	16	9
12	K24	20	3
13			
14			
15	O34	5	21
16	K29	17	7
17			
18			
19	H21	8	17
20	K24	12	3
21	M12	6	17
22	J21	2	9
23	M13	6	15
24			
25	M14	6	15
26	M15	6	15
27	M16	6	13
28	M17	6	13

JACK PIN LG

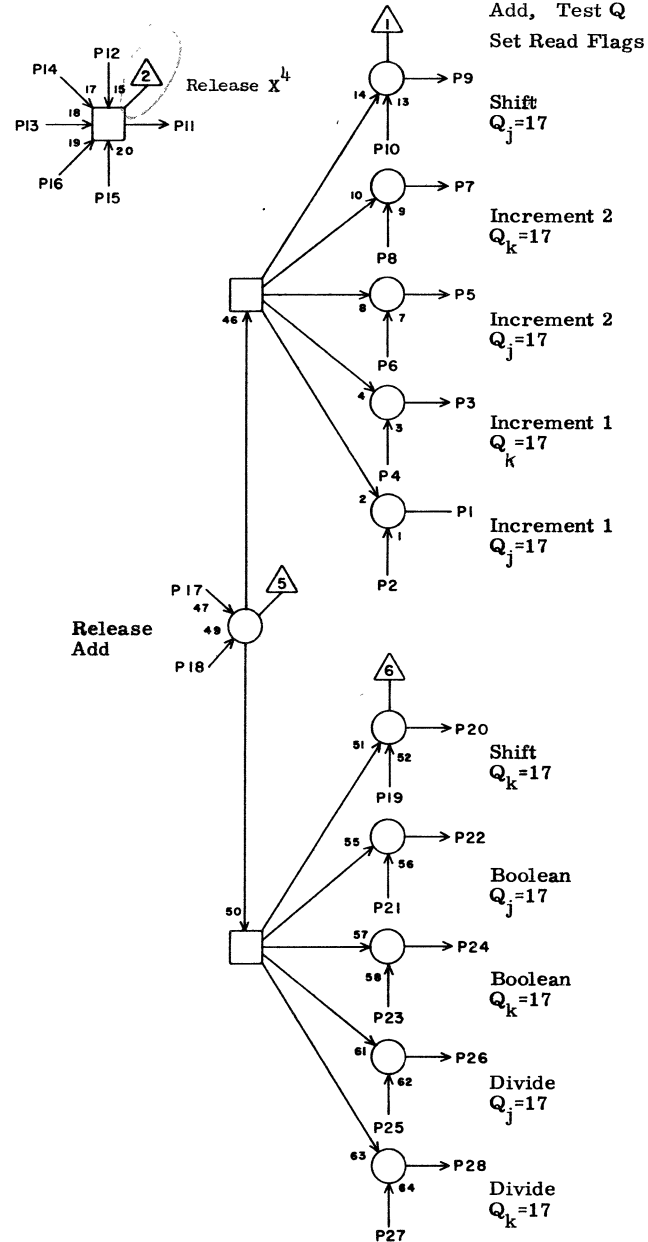
60150800 Rev. AB



IL 5K25

1	H19	12	15
2	M14	28	15
3			
4			
5			
6			
7			
8	K30	17	7
9	G19	7	19
10	P41	6	29
11	J31	16	11
12	K25	20	3
13			
14			
15	O34	7	21
16	K31	17	7
17			
18			
19	H21	6	17
20	K25	12	3
21	M18	6	13
22	J21	3	11
23	M19	6	13
24			
25	N17	2	17
26	N17	28	17
27	N18	2	17
28	N18	28	17

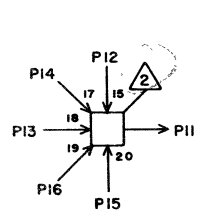
JACK PIN LG



IJ 5K26

1	K01	18	27
2	J01	18	25
3	K02	18	25
4	J02	18	25
5	K03	18	25
6	J03	18	25
7	K04	18	23
8	J04	18	25
9	K05	3	23
10	J05	18	25
11	H05	16	27
12	I26	1	13
13	I30	1	15
14	L28	14	7
15	L30	14	7
16	L31	14	7
17	K23	8	5
18			
19	J06	18	25
20	K06	3	21
21	J07	18	21
22	K07	3	19
23	J08	18	21
24	K08	3	19
25	J09	18	21
26	K09	3	19
27	J10	18	19
28	K10	3	17

JACK PIN LG



Add, Test Q
Set Read Flags

Long Add
 $A_j=17$

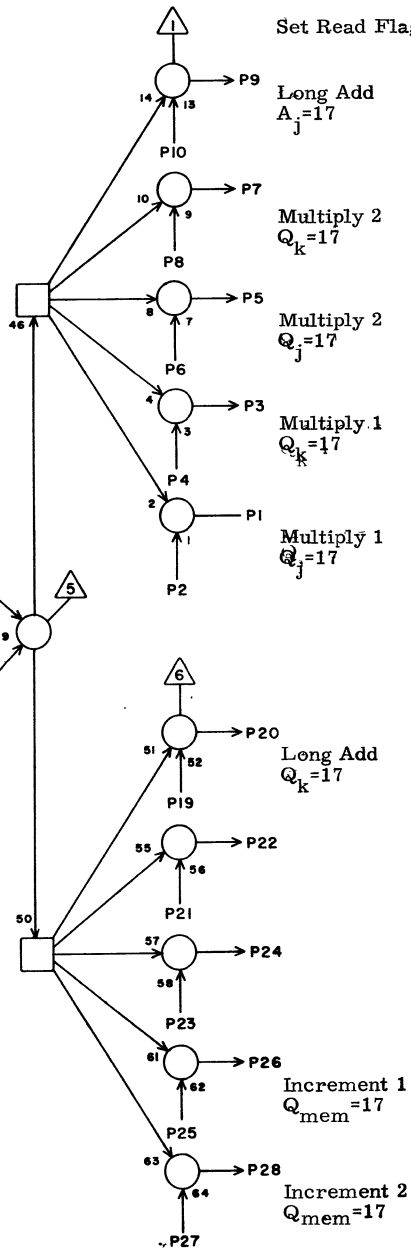
Multiply 2
 $Q_k=17$

Multiply 2
 $Q_j=17$

Multiply 1
 $Q_k=17$

Multiply 1
 $Q_j=17$

Release
Add



IJ 5K27

1	K11	3	17
2	J11	18	19
3	K12	3	17
4	J12	18	19
5	K13	3	17
6	J13	18	17
7	K14	3	15
8	J14	18	17
9	K15	3	15
10	J15	18	15
11	H05	12	27
12	L32	14	7
13	L33	14	9
14	L34	14	9
15	L35	14	11
16	L24	11	7
17	K23	16	7
18			
19	J16	18	15
20	K16	3	13
21			
22			
23			
24			
25	J19	18	15
26	K19	3	11
27	J20	18	13
28	K20	3	11

JACK PIN LG

60150800 Rev. B

$M \rightarrow X^1$, Test Q

Set Read Flags

Shift
 $Q_j=11$

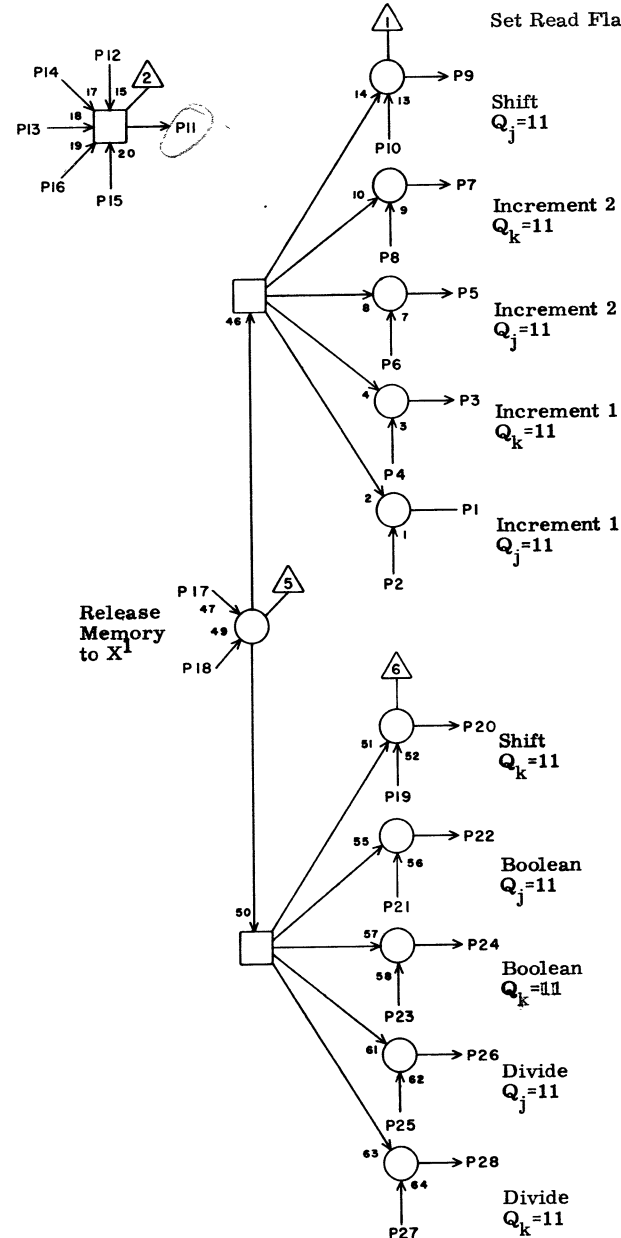
Increment 2
 $Q_k=11$

Increment 2
 $Q_j=11$

Increment 1
 $Q_k=11$

Increment 1
 $Q_j=11$

Release
Memory
to X^1

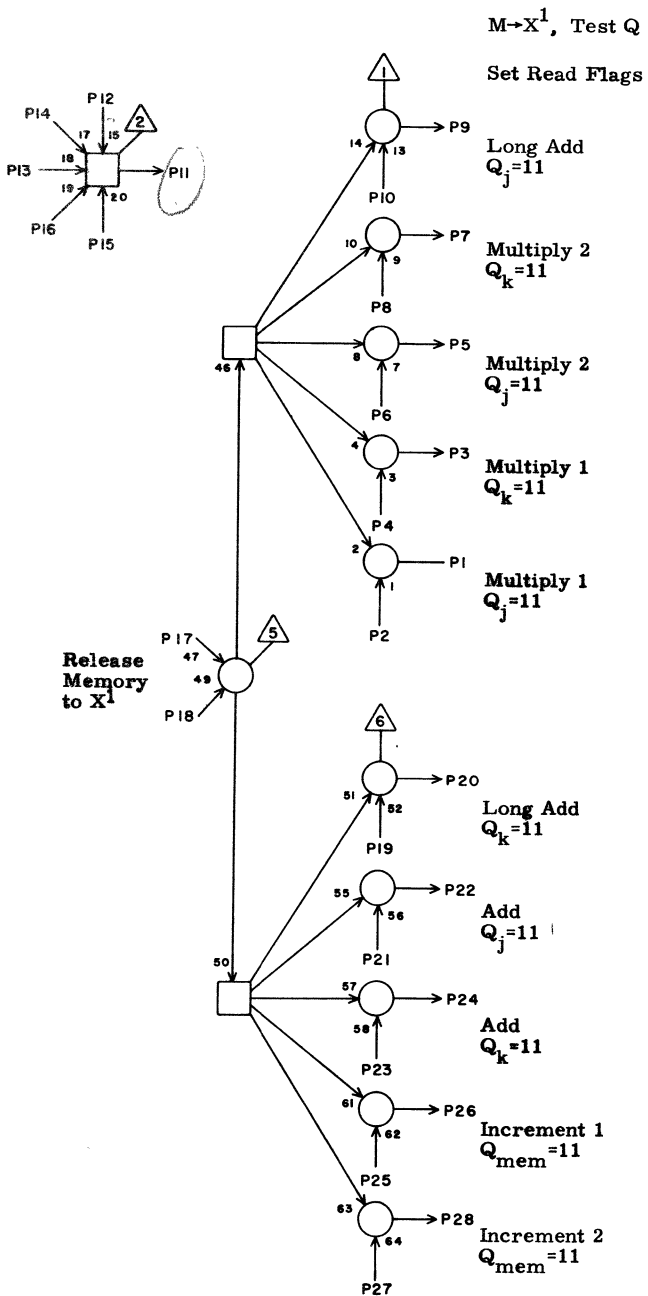


IJ 5K28

1	K01	19	27
2	J01	10	27
3	K02	19	27
4	J02	10	27
5	K03	19	27
6	J03	10	27
7	K04	19	25
8	J04	10	25
9	K05	5	25
10	J05	10	25
11	H06	16	27
12	I27	13	13
13	I31	13	13
14	L28	4	7
15	L30	4	5
16	L31	4	7
17	K24	8	7
18			
19	J06	10	25
20	K06	5	23
21	J07	10	23
22	K07	5	21
23	J08	10	21
24	K08	5	21
25	J09	10	21
26	K09	5	21
27	J10	10	21
28	K10	5	19

JACK PIN LG

60150800 Rev. B

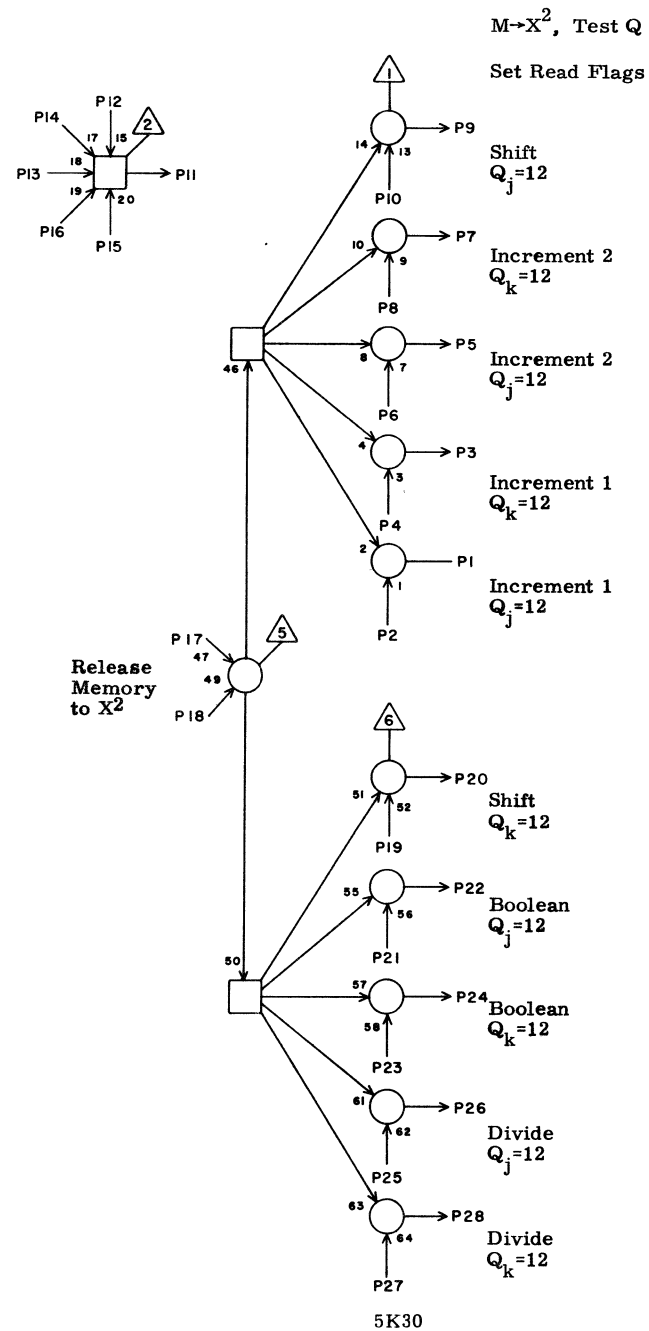


IJ

5K29			
1	K11	5	19
2	J11	10	21
3	K12	5	19
4	J12	10	19
5	K13	5	19
6	J13	10	19
7	K14	5	17
8	J14	10	17
9	K15	5	17
10	J15	10	17
11	H06	12	27
12	L32	4	7
13	L33	4	7
14	L34	4	7
15	L35	4	11
16	L25	11	7
17	K24	16	7
18			
19	J16	10	17
20	K16	5	15
21	J17	10	15
22	K17	5	15
23	J18	10	15
24	K18	5	13
25	J19	10	15
26	K19	5	13
27	J20	10	15
28	K20	5	11

JACK PIN LG

60150800 Rev. B

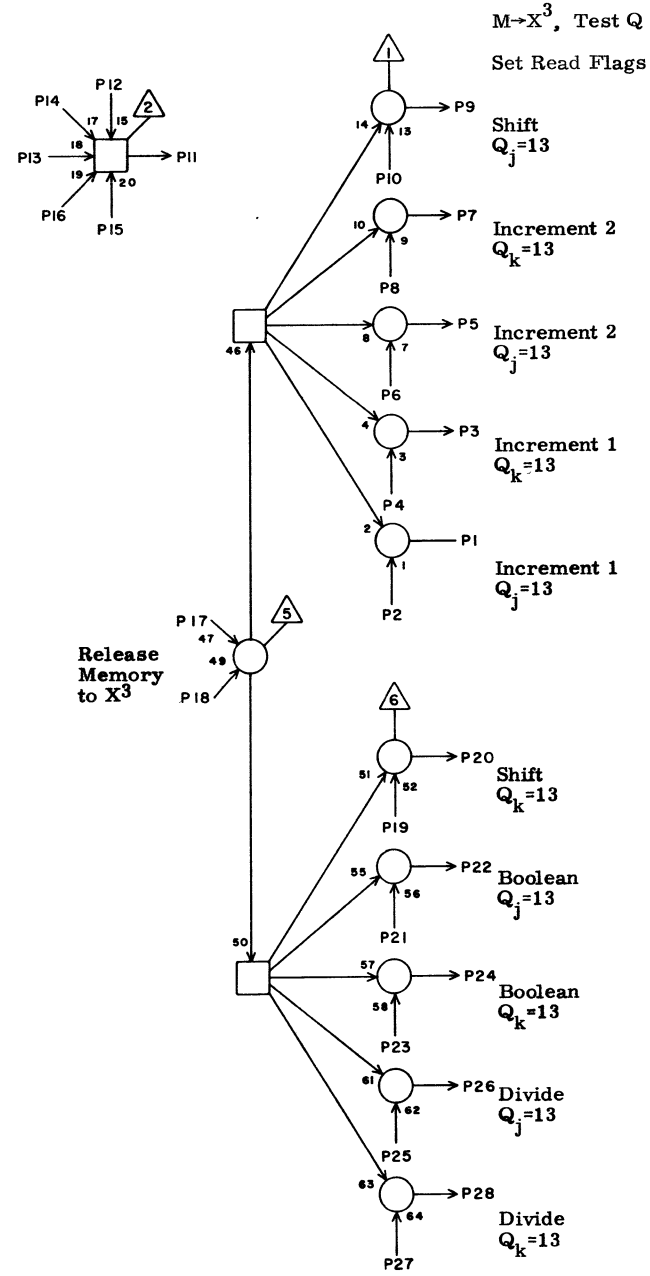
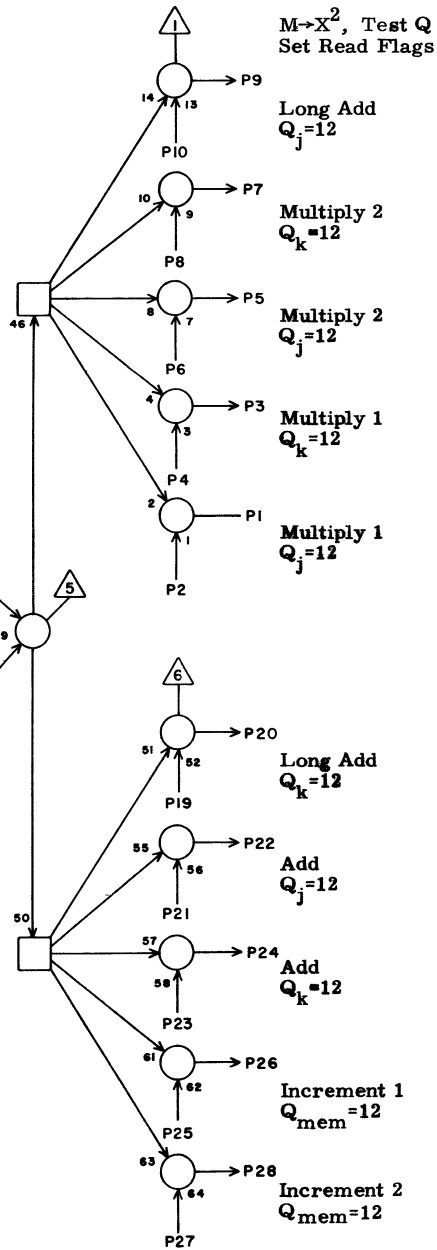
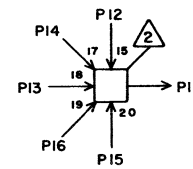
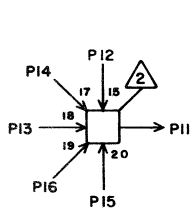


IJ

5K30			
1	K01	21	29
2	J01	12	29
3	K02	21	27
4	J02	12	29
5	K03	21	27
6	J03	12	27
7	K04	21	27
8	J04	12	27
9	K05	20	27
10	J05	12	27
11	H07	16	27
12	I27	11	13
13	I31	11	13
14	I28	5	7
15	L30	5	5
16	L31	5	5
17	K25	8	7
18			
19	J06	12	25
20	K06	20	25
21	J07	12	25
22	K07	20	23
23	J08	12	25
24	K08	20	23
25	J09	12	23
26	K09	20	23
27	J10	12	25
28	K10	20	21

JACK PIN LG

60150800 Rev. B



IJ 5K31

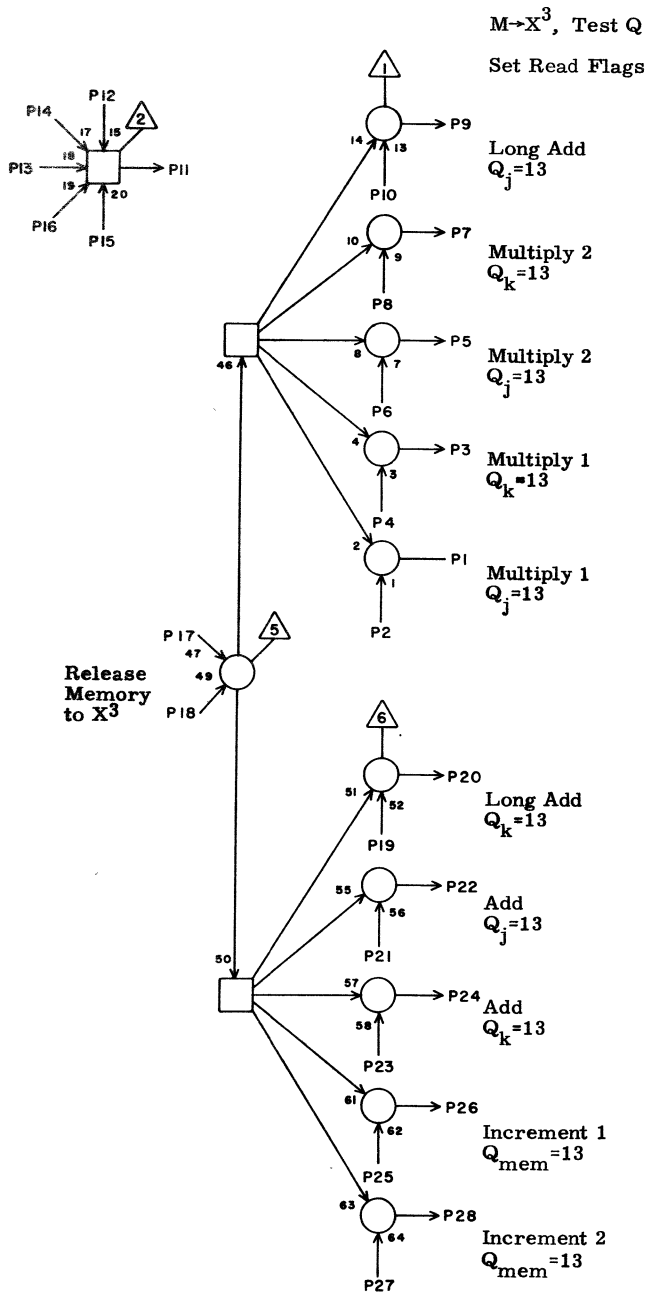
1	K11	20	21
2	J11	12	23
3	K12	20	21
4	J12	12	21
5	K13	20	19
6	J13	12	21
7	K14	20	19
8	J14	12	19
9	K15	20	19
10	J15	12	19
11	H07	12	27
12	L32	5	5
13	L33	5	5
14	L34	5	7
15	L35	5	7
16			
17	K25	16	7
18			
19	J16	12	19
20	K16	20	17
21	J17	12	17
22	K17	20	17
23	J18	12	17
24	K18	20	15
25	J19	12	17
26	K19	20	15
27	J20	12	15
28	K20	20	13

JACK PIN LG

IJ 5K32

1	K01	23	31
2	J01	14	31
3	K02	23	29
4	J02	14	31
5	K03	23	29
6	J03	14	29
7	K04	23	29
8	J04	14	29
9	K05	22	27
10	J05	14	27
11	H08	16	27
12	I27	9	13
13	I31	9	13
14	L28	3	7
15	L30	3	5
16	L31	3	5
17	I23	8	13
18			
19	J06	14	27
20	K06	22	27
21	J07	14	27
22	K07	22	27
23	J08	14	27
24	K08	22	25
25	J09	14	25
26	K09	22	23
27	J10	14	25
28	K10	22	23

JACK PIN LG

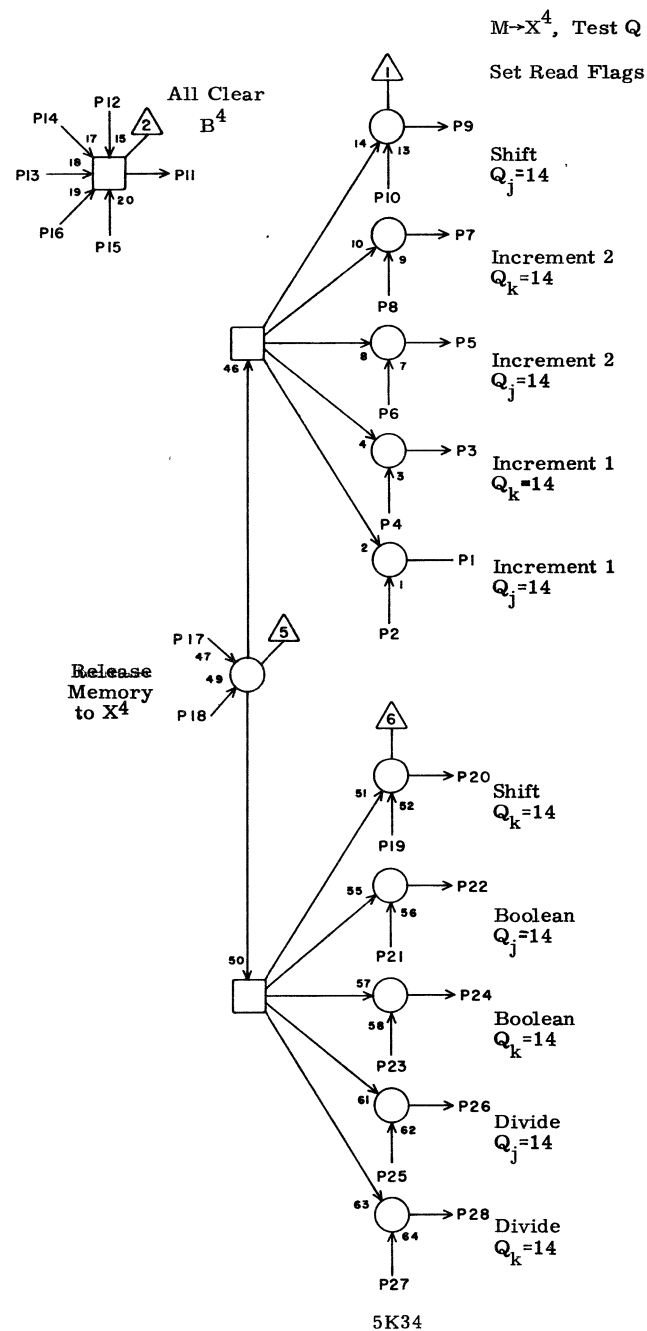


IJ 5K33

1	K11	22	23
2	J11	14	25
3	K12	22	23
4	J12	14	23
5	K13	22	21
6	J13	14	23
7	K14	22	21
8	J14	14	31
9	K15	22	21
10	J15	14	19
11	H08	12	29
12	L32	3	5
13	L33	3	5
14	L34	3	5
15	L35	3	7
16			
17	L23	16	15
18			
19	J16	14	19
20	K16	22	17
21	J17	14	19
22	K17	22	19
23	J18	14	17
24	K18	22	17
25	J19	14	17
26	K19	22	17
27	J20	14	17
28	K20	22	15

JACK PIN LG

60150800 Rev. B

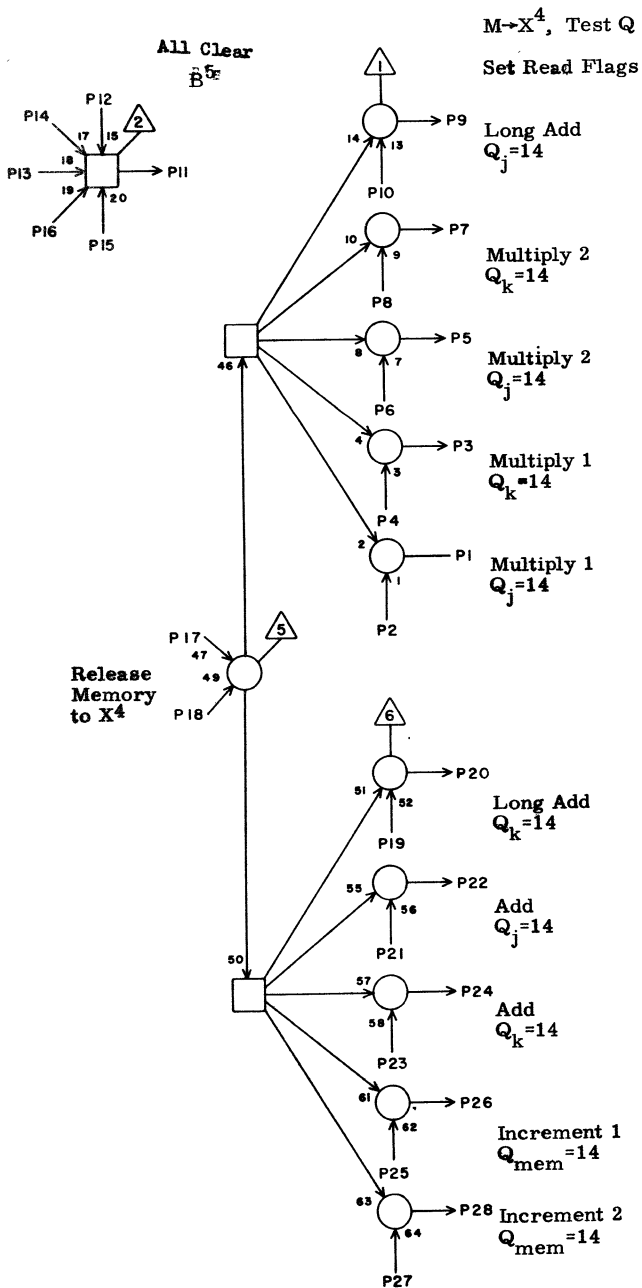


IJ 5K34

1	K01	24	33
2	J01	22	33
3	K02	24	31
4	J02	22	31
5	K03	24	31
6	J03	22	31
7	K04	24	29
8	J04	22	31
9	K05	24	27
10	J05	22	29
11	N19	1	21
12	L02	21	31
13	L04	21	31
14	L06	21	29
15	L08	21	29
16	L09	21	27
17	L24	8	13
18			
19	J06	22	29
20	K06	24	27
21	J07	22	27
22	K07	24	27
23	J08	22	27
24	K08	24	27
25	J09	22	27
26	K09	24	25
27	J10	22	25
28	K10	24	25

JACK PIN LG

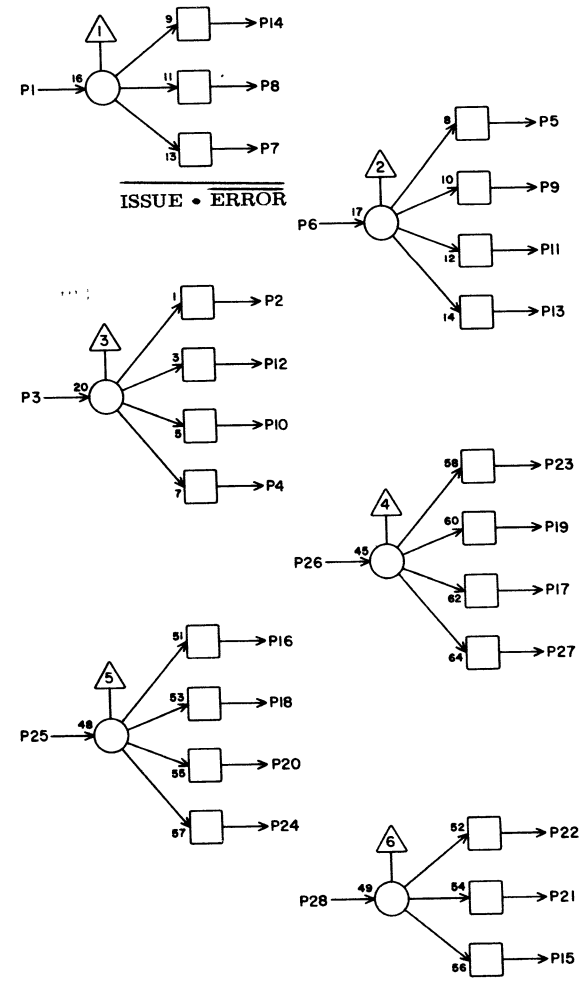
60150800 Rev. B



IJ 5K35

1	K11	24	25
2	J11	22	25
3	K12	24	23
4	J12	22	25
5	K13	24	23
6	J13	22	23
7	K14	24	23
8	J14	22	23
9	K15	24	21
10	J15	22	23
11	N19	25	23
12	L02	23	31
13	L04	23	31
14	L06	23	29
15	L08	23	27
16	L09	23	27
17	L24	16	13
18			
19	J16	22	21
20	K16	24	19
21	J17	22	21
22	K17	24	21
23	J18	22	19
24	K18	24	19
25	J19	22	19
26	K19	24	19
27	J20	22	19
28	K20	24	17

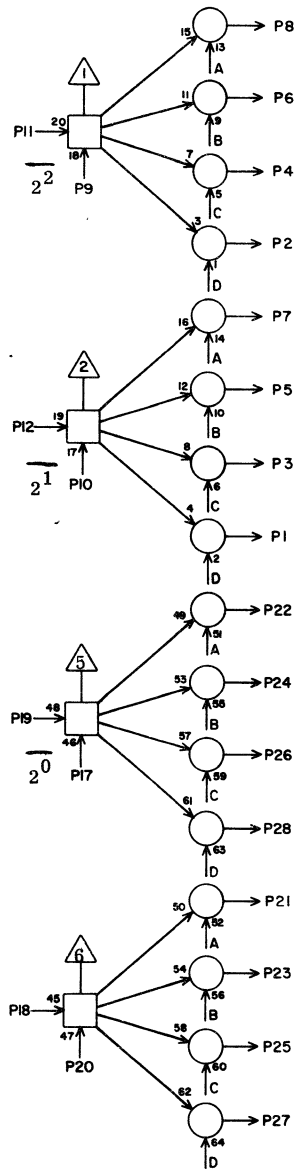
JACK PIN LG



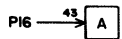
TH 5K36

1	F38	6	23
2	K40	17	7
3	M33	22	13
4	L41	17	11
5	N27	25	120
6	F39	23	120
7	P19	24	27
8	H05	9	33
9	N10	3	29
10	L42	17	11
11			
12	M42	17	13
13			
14			
15	F32	11	23
16			
17			
18			
19	N07	8	37
20	H26	20	19
21	F35	19	23
22	F36	19	25
23	I01	26	37
24	H27	20	19
25	F23	17	25
26	L10	17	29
27			
28	F25	17	25

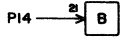
JACK PIN LG



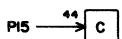
1X Accepted



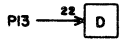
6X Accepted



6X Accepted



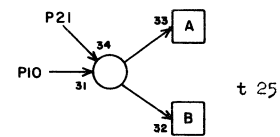
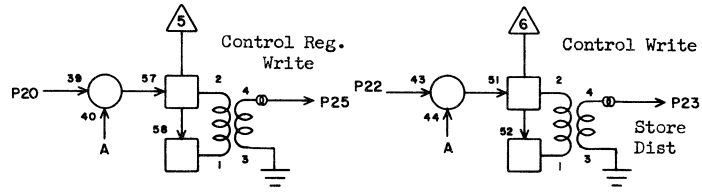
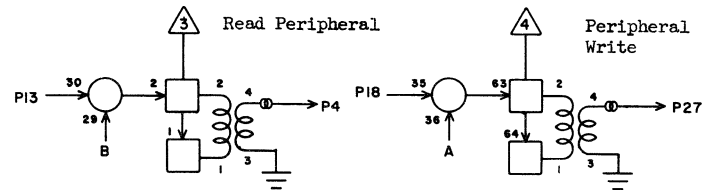
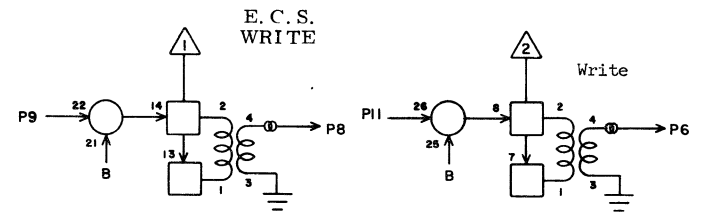
7X Accepted



IR 5K37

1	H40	20	15
2	H40	19	15
3	H41	20	15
4	H41	19	15
5	H42	20	15
6	H42	19	15
7	I42	20	13
8	I42	19	13
9	P39	9	23
10	P39	10	23
11			
12			
13	037	8	19
14	037	9	19
15	037	11	19
16	037	21	19
17	P39	7	23
18			
19			
20			
21			
22	I42	15	13
23			
24	H42	15	17
25			
26	H41	15	17
27			
28	H40	15	17

JACK PIN LG

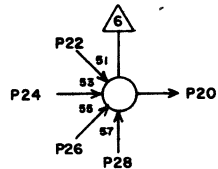
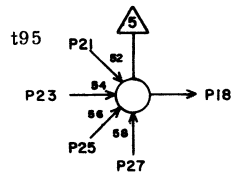
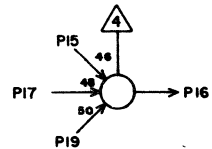
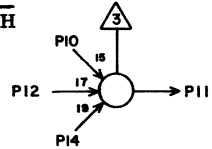
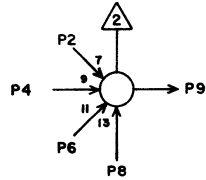
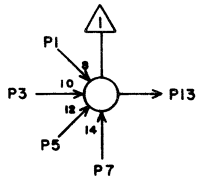


t 25

PL 5K38

1			
2			
3			
4	W18	904	
5			
6	W18	902	
7			
8	W18	905	
9	H03	18	35
10	H19	18	23
11	Q14	22	41
12			
13	P40	28	23
14			
15			
16			
17			
18	P40	27	23
19			
20	M11	10	29
21			
22	038	12	21
23	W27	902	
24			
25	W27	903	
26			
27	W27	904	
28			

JACK PIN LG



DELAY
COUNT = 3

INCH

ACCEPT ECS

ERROR

ENABLE ADVANCE
ERROR DELAY

DELAY COUNT = 3

TI

5K39

1	J25	6	15
2	R28	19	31
3	N21	19	29
4	R28	27	31
5			
6	R30	6	31
7			
8	N09	15	33
9	M10	12	35
10	M23	28	19
11	L12	15	27
12	P13	4	31
13	O34	24	19
14	I25	14	19
15			
16	O34	26	19
17	N30	15	17
18	L07	15	31
19	K21	6	19
20	F13	17	31
21	N09	17	33
22	F35	28	23
23	N28	8	108
24	I24	7	21
25	L25	24	17
26			
27	L03	17	33
28	M28	15	19

JACK PIN LG

60150800 Rev.A.Z

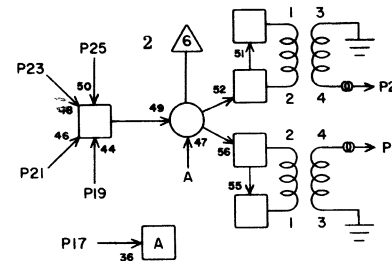
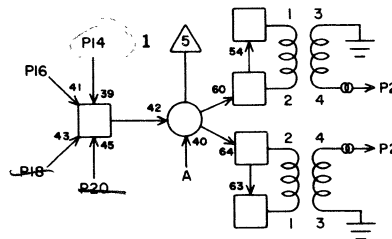
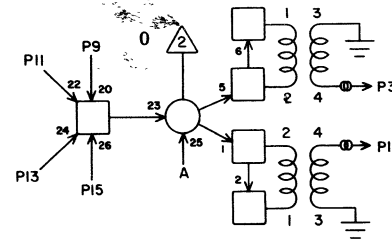
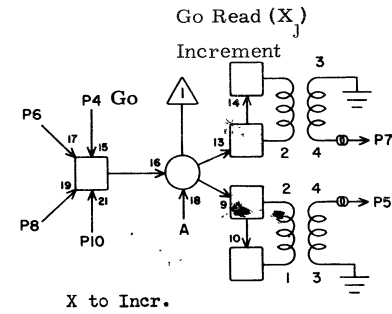
I2

5K40

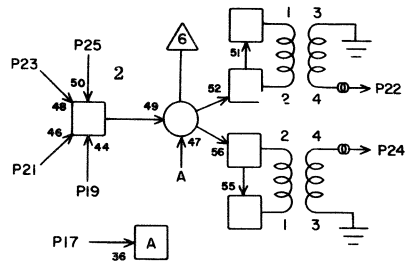
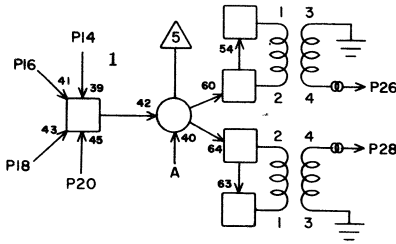
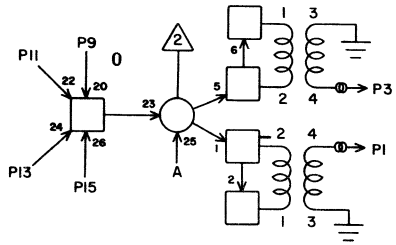
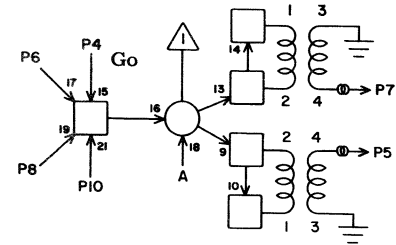
1	W19	90	
2			
3			
4	MO8	1	33
5	W20	95	
6	MO8	26	33
7			
8			
9	FO1	5	45
10			
11	FO8	5	37
12			
13			
14	FO1	19	47
15			
16	FO8	19	37
17	K36	2	7
18			
19	FO1	26	45
20			
21	FO8	26	37
22	W19	92	
23			
24			
25			
26	W19	91	
27			
28			

JACK PIN LG

60150800 Rev. B



Go Read (X_j)
Add



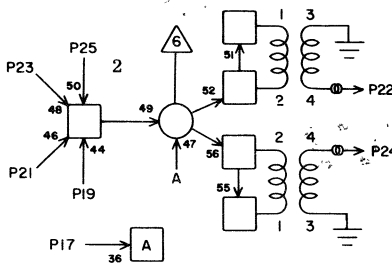
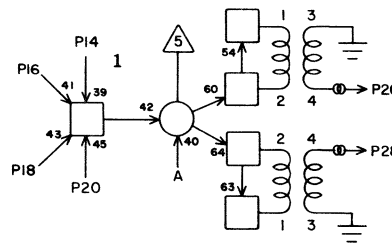
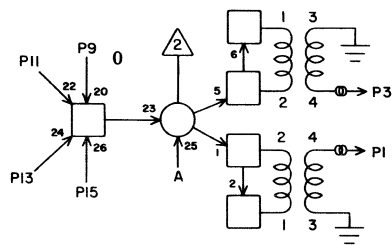
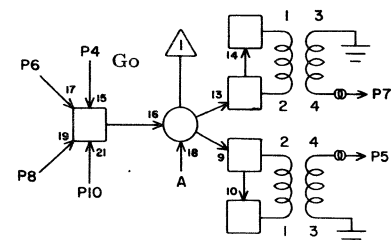
IZ 5K41

1	W19	901	
2			
3	W17	905	
4	H22	8	25
5	W19	900	
6			
7	W17	904	
8	I36	7	13
9	G13	5	31
10			
11	G16	5	31
12			
13			
14	G13	19	31
15			
16	G16	19	29
17	P42	24	23
18			
19	G13	26	31
20			
21			
22	W19	903	
23	G16	26	39
24	W17	907	
25			
26	W19	902	
27			
28	W17	906	

JACK PIN LG

60150800 Rev. B

Go Read (X_k)
Add



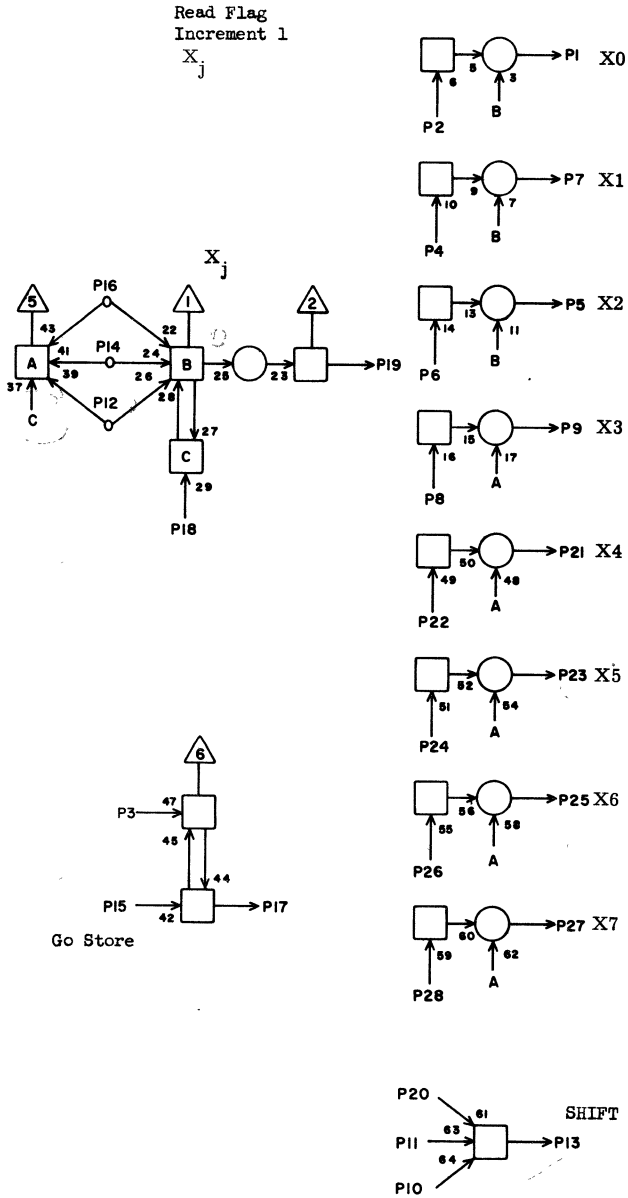
IZ 5K42

1	W19	905	
2			
3	W17	90	
4	I36	8	13
5	W19	904	
6	H22	12	25
7	W17	93	
8	I36	5	13
9	G14	5	31
10			
11	F16	5	33
12			
13	G17	5	31
14	G14	19	31
15			
16			
17	P42	22	23
18	G17	19	31
19	G14	26	31
20	F16	19	43
21	F16	26	33
22	W19	907	
23	G17	26	31
24	W17	92	
25			
26	W19	906	
27			
28	W17	91	

JACK PIN LG

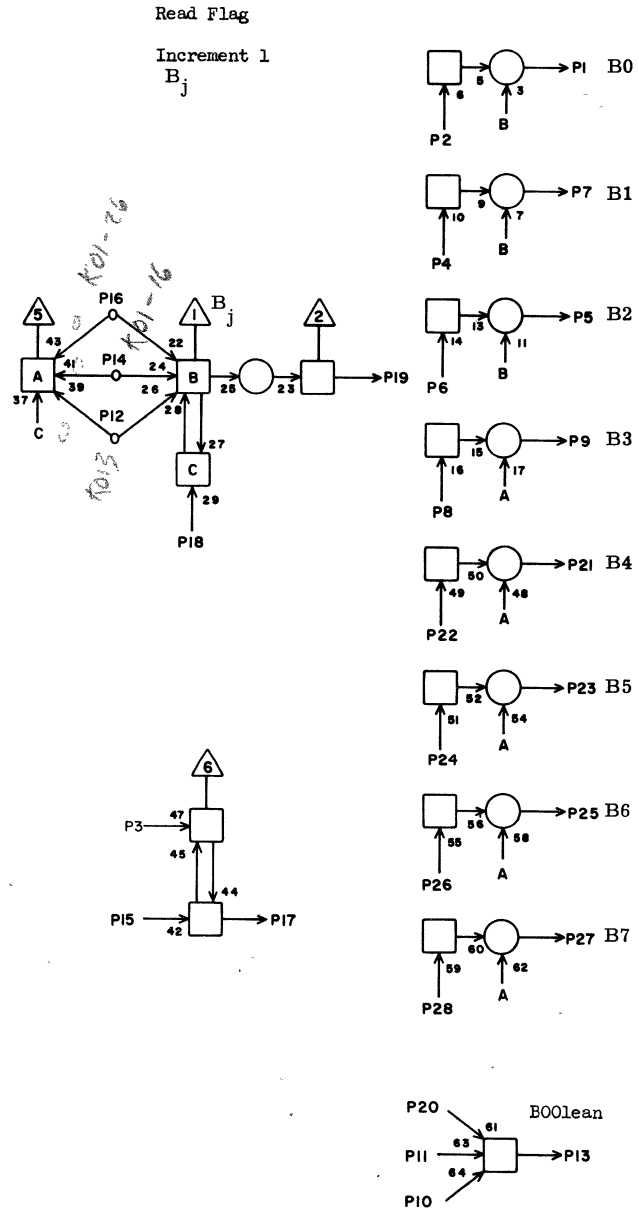
60150800 Rev. B

5K42



IN		5L01	
1	M01	4	7
2	F01	17	25
3	O17	19	21
4	F01	28	25
5	M01	17	7
6	F01	15	25
7	M01	1	5
8	F01	21	25
9	M01	16	7
10	F27	17	35
11	G37	9	41
12	K01	1	13
13	N15	1	17
14	K01	12	7
15	G26	17	31
16	K01	22	7
17	E10	1	31
18	M33	26	108
19	L09	10	11
20	N09	20	13
21	M02	4	7
22	F01	3	27
23	M02	1	7
24	F01	11	27
25	M02	17	5
26	F01	1	27
27	M02	16	5
28	F01	13	27

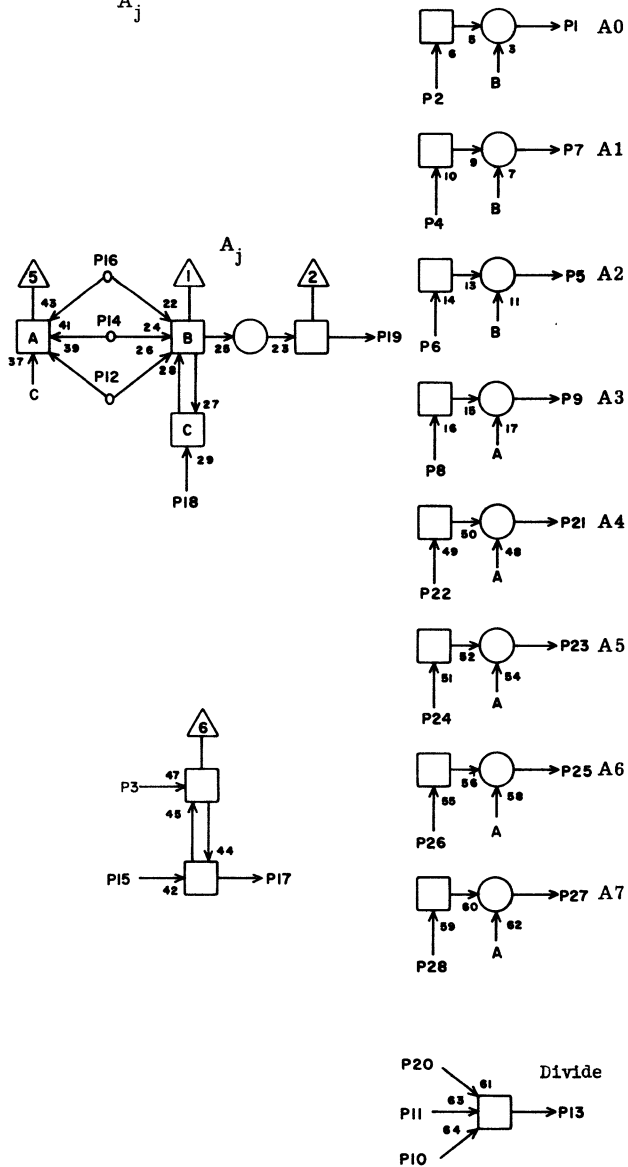
JACK PIN LG



IN		5L02	
1	I34	12	33
2	F02	17	25
3	O14	14	19
4	F02	28	35
5	J34	12	13
6	F02	15	35
7	I35	12	33
8	F02	21	25
9	J35	12	33
10	F27	10	37
11	H36	9	37
12	K01	3	7
13	N15	2	17
14	K01	16	7
15	G26	13	31
16	K01	26	7
17	E10	2	31
18	O19	21	23
19			
20	N09	24	13
21	K34	12	31
22	F02	3	27
23	K35	12	31
24	F02	11	27
25	L26	12	25
26	F02	1	27
27	L27	12	25
28	F02	13	27

JACK PIN LG

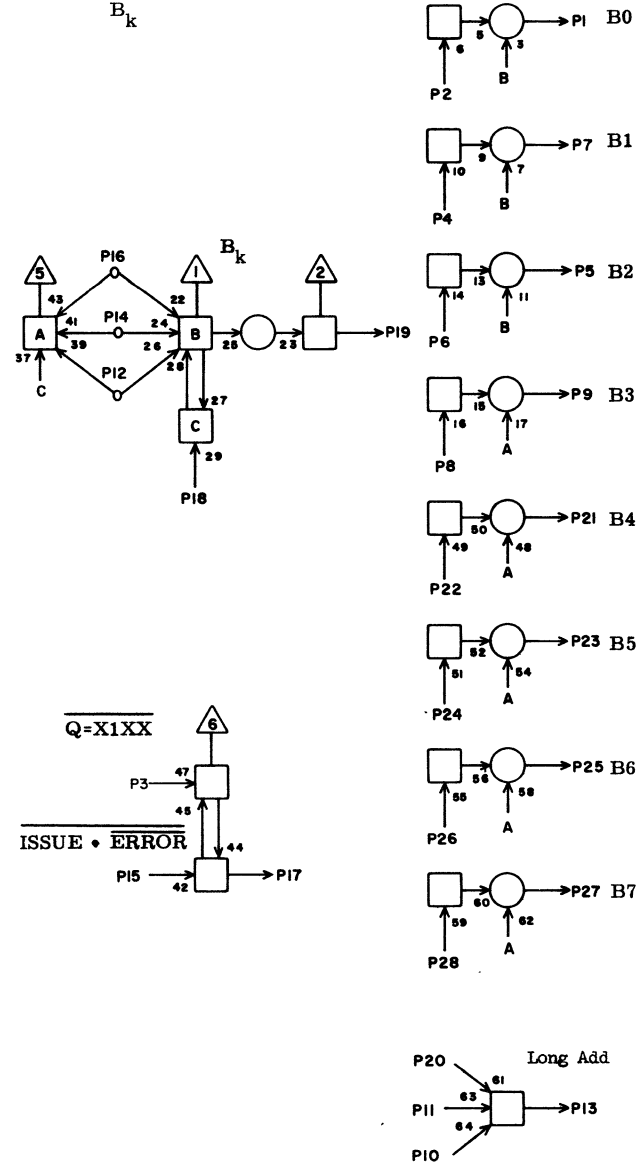
Read Flag
Increment 1
A_j



IN		5L03	
1	N17	9	17
2	F03	17	25
3	H22	14	25
4	F03	28	25
5	N18	9	19
6	F03	15	25
7	N17	17	17
8	F03	21	25
9	N18	17	19
10	F30	17	35
11	G37	8	39
12	K 1	7	7
13	N15	25	17
14	K 1	20	7
15	R39	11	156
16	K01	28	5
17	K39	27	33
18	019	24	21
19			
20	N09	19	13
21	N19	9	19
22	F03	3	27
23	N19	17	19
24	F03	11	27
25	N20	19	21
26	F03	1	27
27	N20	17	19
28	F03	13	27

JACK PIN LG

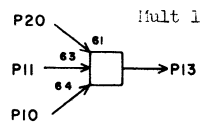
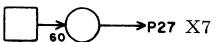
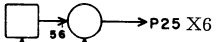
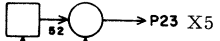
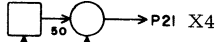
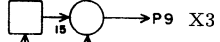
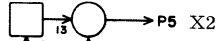
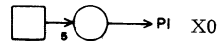
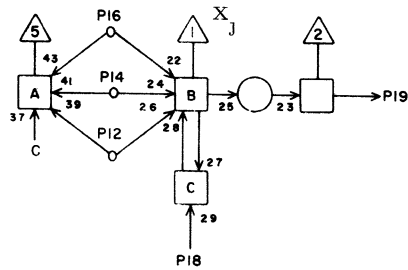
Read Flag
Increment 1
B_k



IN		5L04	
1	I34	13	31
2	F04	15	25
3	F40	23	120
4	F04	28	25
5	J34	13	31
6	F04	17	25
7	I35	13	31
8	F04	21	25
9	J35	13	31
10	F29	10	35
11	G37	20	39
12	K02	1	7
13	N16	25	17
14	K02	12	7
15	F39	17	43
16	K02	22	7
17	N22	25	23
18	M33	28	108
19	L09	11	11
20	N09	21	13
21	K34	13	31
22	F04	3	27
23	K35	13	31
24	F04	11	27
25	L26	13	25
26	F04	1	27
27	L27	13	25
28	F04	13	27

JACK PIN LG

Read Flag
Increment 2
 X_j

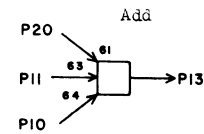
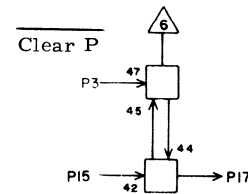
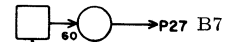
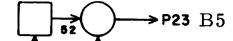
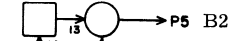
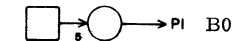
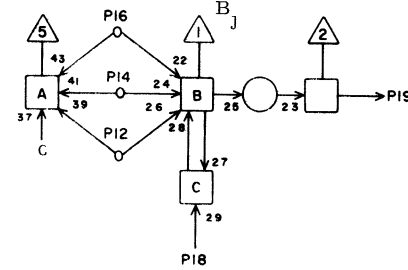


IN 5L05

1	M01	6	7
2	F08	17	25
3	G30	14	31
4	F08	28	25
5	M01	19	7
6	F08	15	25
7	M01	3	7
8	F08	21	25
9	M01	18	7
10	F28	17	33
11	G37	22	35
12	K03	1	7
13	N15	26	17
14	K03	12	7
15	E29	26	33
16	K03	22	7
17	E35	5	39
18	M33	3	108
19	L10	10	7
20	L09	18	13
21	M02	6	7
22	F08	3	27
23	M02	3	7
24	F08	11	27
25	M02	19	7
26	F08	1	27
27	M02	18	7
28	F08	13	27

JACK PIN LG

Read Flag
Increment 2
 B_j

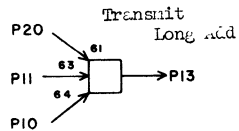
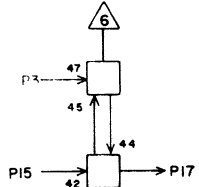
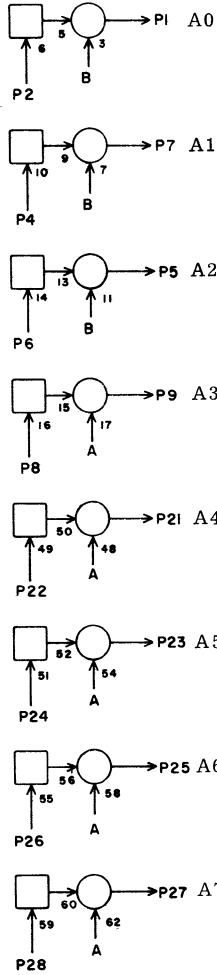
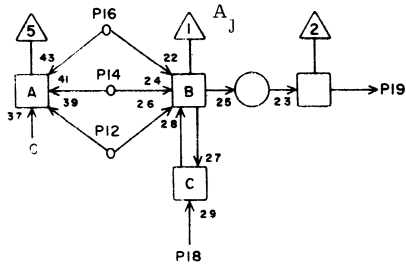


IN 5L06

1	I34	14	31
2	F09	17	25
3	H24	20	25
4	F09	28	25
5	J34	14	29
6	F09	15	25
7	I35	14	31
8	F09	21	25
9	J35	14	29
10	F29	17	33
11	H36	5	37
12	K03	3	7
13	N16	2	13
14	K03	16	7
15	F33	2	37
16	K03	26	7
17	H06	15	19
18	O19	20	19
19			
20	N09	22	13
21	K34	14	29
22	F09	3	27
23	K35	14	29
24	F09	11	27
25	L26	14	23
26	F09	1	27
27	L27	14	23
28	F09	13	27

JACK PIN LG

Read Flag
Increment 2
A_j



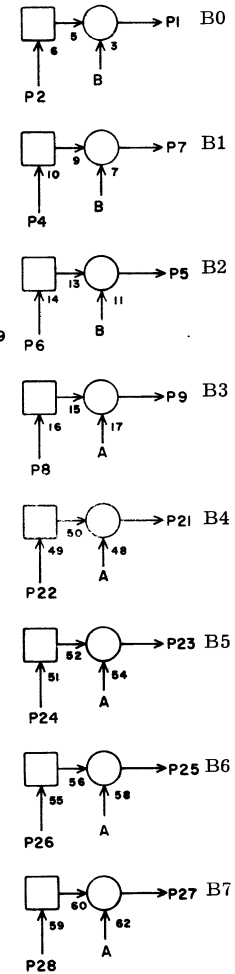
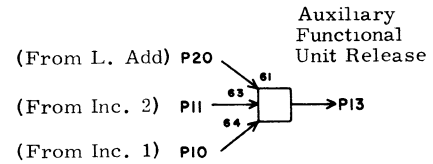
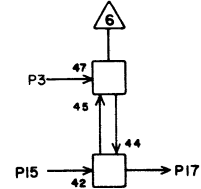
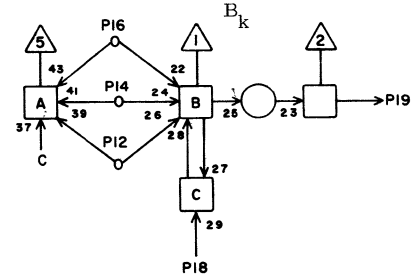
IN 5107

1	N17	11	17
2	F10	17	25
3	H24	9	23
4	F10	28	25
5	N18	11	17
6	F10	15	25
7	N17	18	17
8	F10	21	25
9	N18	18	17
10	K22	6	17
11	N21	22	13
12	K03	7	7
13	J40	24	33
14	K03	20	7
15	K39	18	31
16	K03	28	7
17	E37	21	39
18	O19	22	19
19			
20			
21	N19	11	17
22	F10	3	27
23	N19	18	17
24	F10	11	27
25	N20	11	15
26	F10	1	27
27	N20	18	17
28	F10	13	27

JACK PIN LG

60150800 Rev. BD

Read Flag
Increment 2
B_k



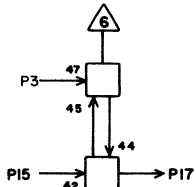
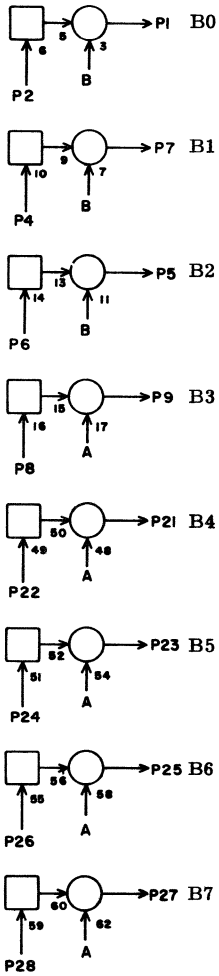
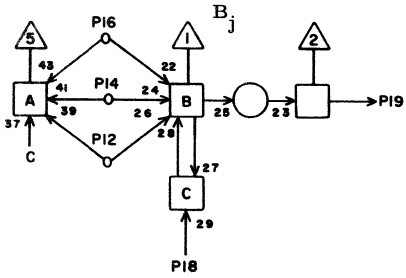
IN 5108

1	I34	15	29
2	F11	15	25
3	P21	6	31
4	F11	28	25
5	J34	15	29
6	F11	17	25
7	I35	15	29
8	F11	21	25
9	J35	15	27
10	L21	13	15
11	L22	13	15
12	K04	1	7
13	H25	25	23
14	K04	12	7
15	H17	8	21
16	K04	22	7
17	Q04	27	25
18	M33	5	108
19	L10	11	5
20	L20	13	15
21	K34	15	29
22	F11	3	27
23	K35	15	27
24	F11	11	27
25	L26	15	21
26	F11	1	27
27	L27	15	21
28	F11	13	27

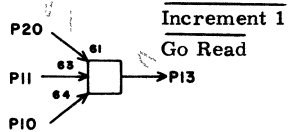
JACK PIN LG

60150800 Rev. N

Read Flag
Shift
 B_j



Read Flag, Memory
Read Flag, Op. 2
Read Flag, Op. 1



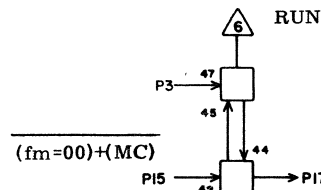
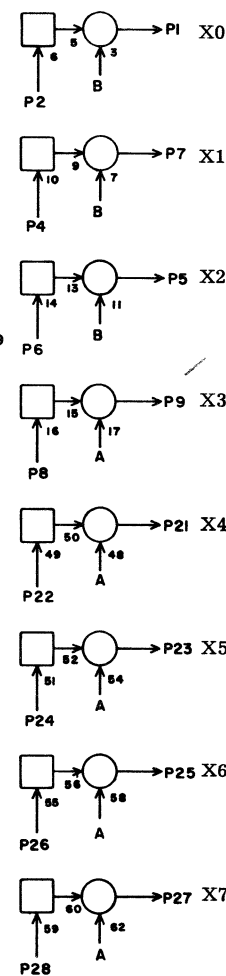
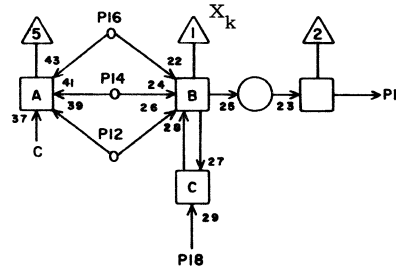
IN 5L09

1	I34	16	27
2	F15	15	27
3	H18	24	21
4	F15	28	25
5	J34	16	27
6	F15	17	27
7	I35	16	29
8	F15	21	27
9	J35	16	27
10	L01	19	11
11	L04	19	11
12	K05	1	7
13	M08	4	7
14	K05	2	7
15	O11	3	17
16	K05	27	7
17	R37	25	37
18	H37	1	33
19	H22	18	23
20	M10	9	5
21	K34	16	27
22	F15	3	27
23	K35	16	27
24	F15	11	27
25	L26	16	19
26	F15	1	27
27	L27	16	19
28	F15	13	27

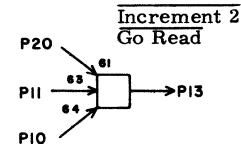
JACK PIN LG

60150800 Rev. B

Read Flag
Shift
 X_k



Read Flag, Memory
Read Flag, Op. 2
Read Flag, Op. 1



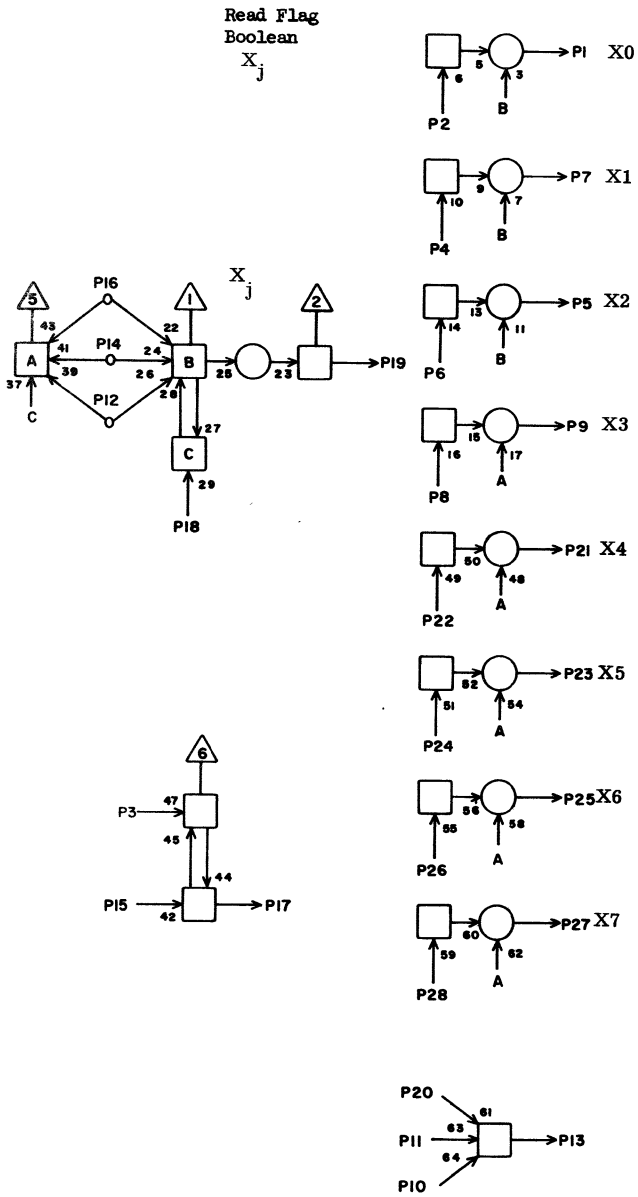
IN 5L10

1	M01	8	13
2	F16	17	27
3	F38	8	31
4	F16	28	27
5	M01	21	13
6	F16	15	27
7	M01	5	13
8	F16	21	27
9	M01	20	13
10	L05	19	7
11	L08	19	5
12	K06	1	7
13	M08	23	7
14	K06	2	7
15	F22	18	27
16	K06	27	7
17	K36	26	29
18	H37	3	31
19	H22	20	23
20	M10	23	7
21	M02	8	11
22	F16	3	29
23	M02	5	11
24	F16	11	27
25	M02	21	11
26	F16	1	29
27	M02	20	11
28	F16	13	27

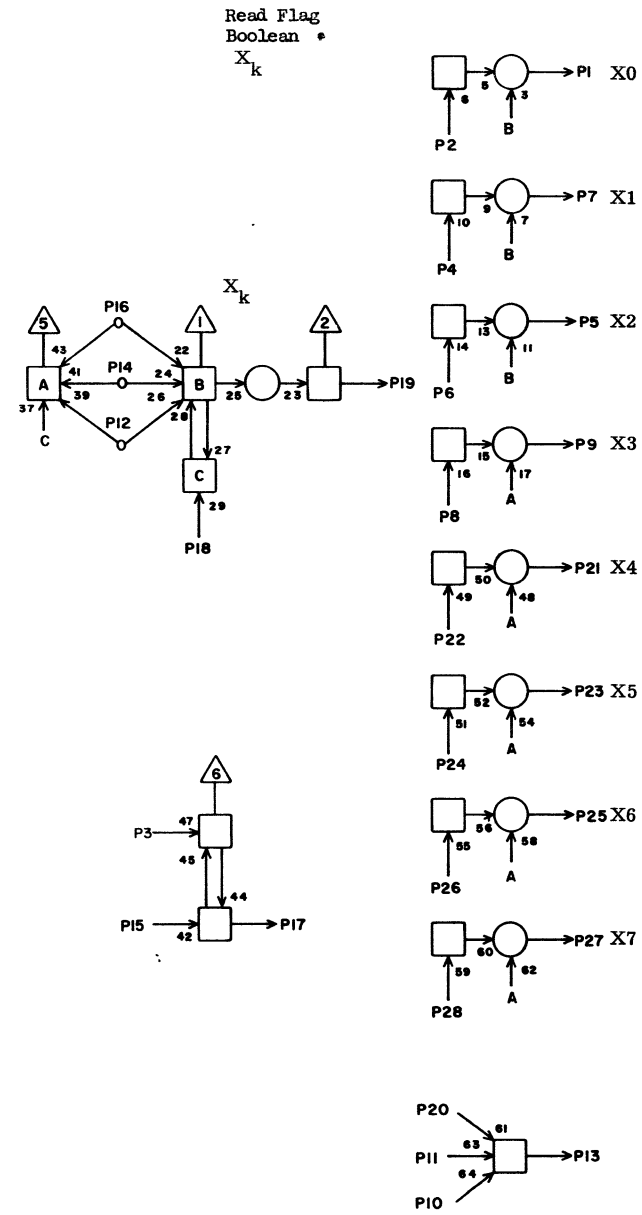
JACK PIN LG

60150800 Rev. T

5L10

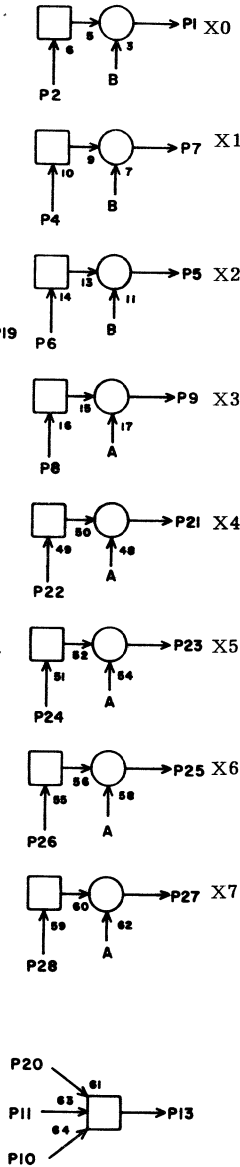
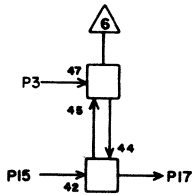
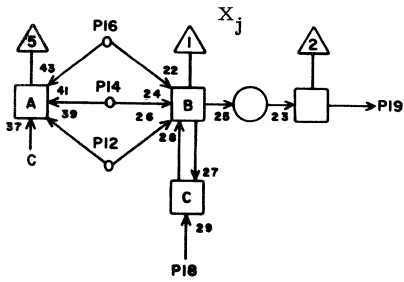


IN			
5L11			
JACK	PIN	LG	
1	M01	10	13
2	G01	15	25
3	H17	13	19
4	G01	28	25
5	M01	23	13
6	G01	17	25
7	M01	7	13
8	G01	21	25
9	M01	22	13
10	I29	1	19
11	N21	23	21
12	K07	1	7
13	J40	5	31
14	K07	2	7
15	F22	17	29
16	K07	27	7
17	H33	25	27
18	H37	2	31
19	H23	9	23
20			
21	M02	10	13
22	G01	3	25
23	M02	7	13
24	G01	11	25
25	M02	23	13
26	G01	1	25
27	M02	22	13
28	G01	13	25



IN			
5L12			
JACK	PIN	LG	
1	M01	12	13
2	G02	15	25
3	H18	2	23
4	G02	28	25
5	M01	25	15
6	G02	17	25
7	M01	9	15
8	G02	21	25
9	M01	24	15
10	J23	6	17
11	N21	18	19
12	K08	1	7
13	J40	7	29
14	K08	2	7
15	K39	11	27
16	K08	27	7
17	F22	24	43
18	H37	4	31
19	H23	11	23
20			
21	M02	12	13
22	G02	3	25
23	M02	9	13
24	G02	11	25
25	M02	25	13
26	G02	1	25
27	M02	24	13
28	G02	13	25

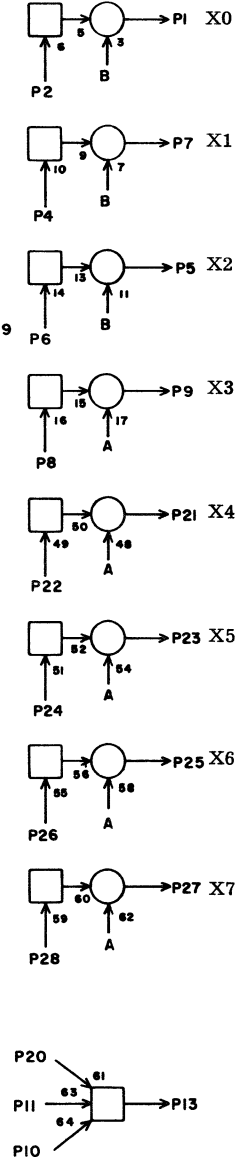
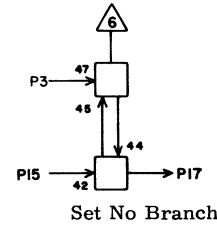
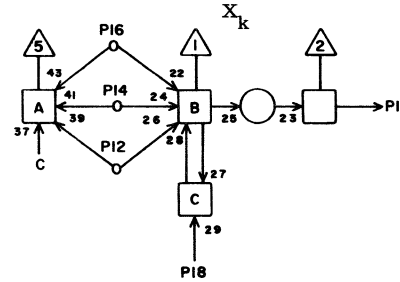
Read Flag
Divide
 X_j



1	M01	14	15
2	G04	15	25
3	F22	20	27
4	G04	28	25
5	M01	27	15
6	G04	17	25
7	M01	11	15
8	G04	21	25
9	M01	26	15
10	F28	10	29
11	N09	26	13
12	K09	1	7
13	N16	1	13
14	K09	2	7
15	P38	10	29
16	K09	27	7
17	R39	26	33
18	I36	28	27
19	H23	6	23
20			
21	M02	14	15
22	G04	3	25
23	M02	11	15
24	G04	11	25
25	M02	27	15
26	G04	1	25
27	M02	26	15
28	G04	13	25

JACK PIN LG
CIRCUIT SPECIFICATION 11827600

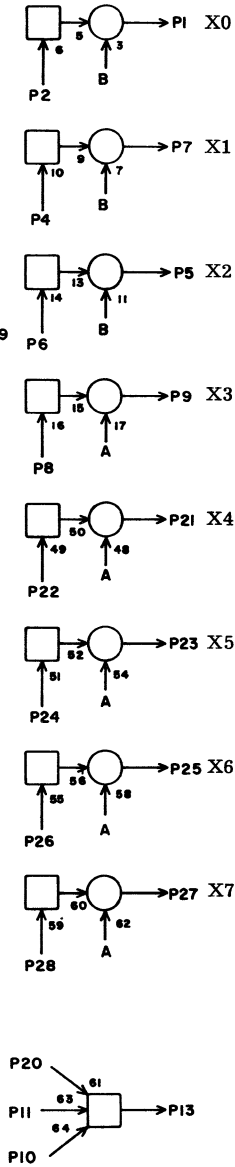
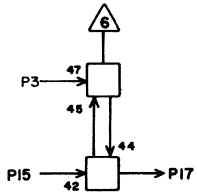
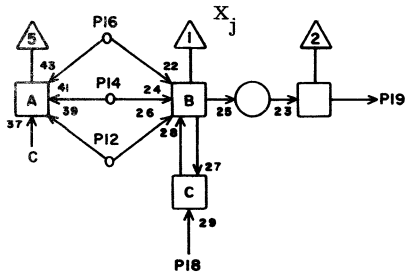
Read Flag
Divide
 X_k



1	M03	4	15
2	G05	15	25
3	H18	28	19
4	G05	28	25
5	M03	17	15
6	G05	17	25
7	M03	1	15
8	G05	21	25
9	M03	16	15
10	H17	21	19
11	K23	11	13
12	K10	1	7
13	J40	26	27
14	K10	2	7
15	Q04	21	25
16	K10	27	7
17	R33	24	132
18	I36	26	27
19	H23	4	23
20			
21	M04	4	13
22	G05	3	25
23	M04	1	13
24	G05	11	25
25	M04	17	13
26	G05	1	25
27	M04	16	13
28	G05	13	25

JACK PIN LG

Read Flag
Multiply 1
 X_j



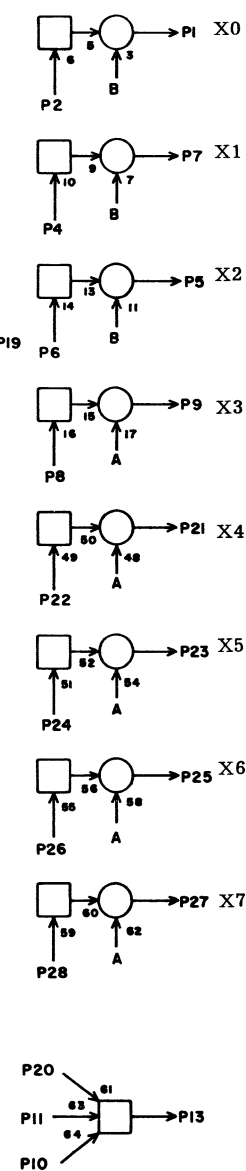
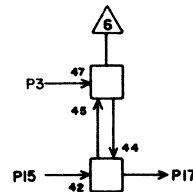
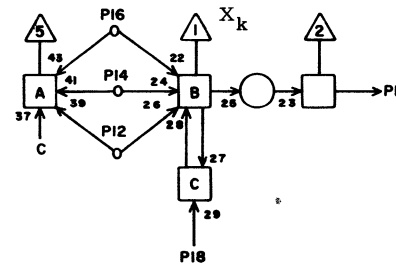
IN			
5L15			
JACK	PIN	LG	
1	M03	6	15
2	G07	15	25
3	H25	7	156
4	G07	28	25
5	M03	19	15
6	G07	17	25
7	M03	3	15
8	G07	21	25
9	M03	18	15
10	H17	19	19
11	J25	11	17
12	K11	1	7
13	J40	22	27
14	K11	2	7
15	H17	1	19
16	K11	27	7
17	O15	17	15
18	H37	28	27
19	H23	18	19
20			
21	M04	6	13
22	G07	3	25
23	M04	3	13
24	G07	11	25
25	M04	19	13
26	G07	1	25
27	M04	18	13
28	G07	13	25

60150800 Rev. AE

LS 63048500
ASSY

B
REV

Read Flag
Multiply 1
 X_k



IN			
5L16			
JACK	PIN	LG	
1	M03	8	17
2	G08	15	25
3	G20	11	23
4	G08	28	25
5	M03	21	17
6	G08	17	25
7	M03	5	17
8	G08	21	25
9	M03	20	17
10	H17	17	19
11	K21	11	11
12	K12	1	7
13	J40	20	27
14	K12	2	7
15	N26	19	17
16	K12	27	7
17	Q33	2	29
18	H37	26	27
19	H23	20	19
20			
21	M04	8	15
22	G08	3	25
23	M04	5	15
24	G08	11	25
25	M04	21	15
26	G08	1	25
27	M04	20	15
28	G08	13	25

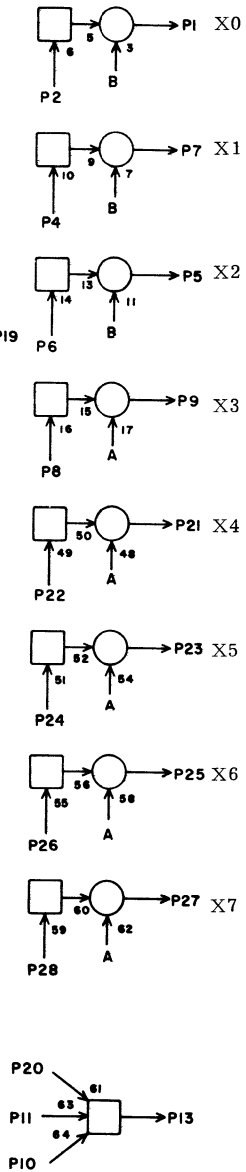
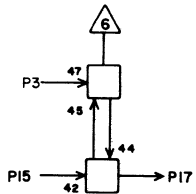
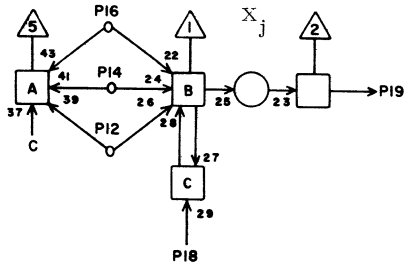
CIRCUIT SPECIFICATION I1827600

60150800 Rev B

LS 63048500
ASSY

B
REV

Read Flag
Multiply 2
 X_j



IN

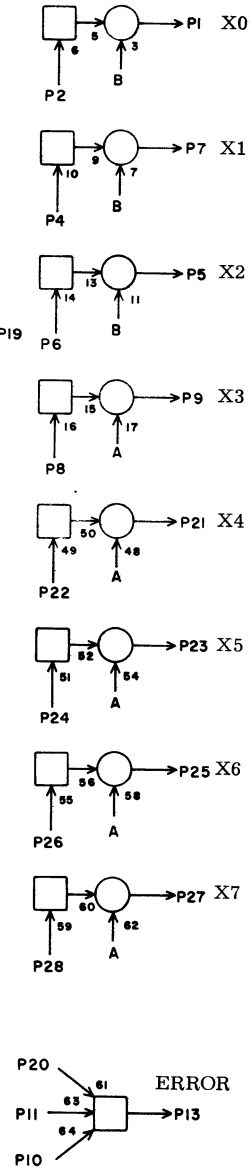
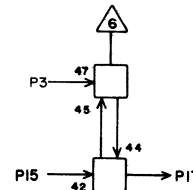
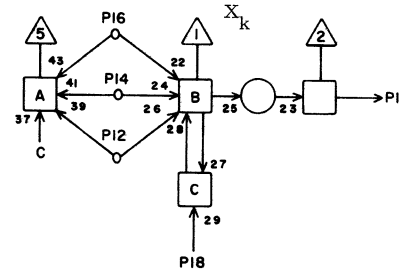
5L17

1	M03	10	17
2	G10	15	25
3	F35	14	31
4	G10	28	25
5	M03	23	17
6	G10	17	25
7	M03	7	17
8	G10	21	25
9	M03	22	17
10	J24	6	15
11	N21	24	17
12	K13	1	7
13	J40	18	25
14	K13	2	7
15	F26	15	27
16	K13	27	7
17	N22	26	13
18	H37	27	27
19	H23	23	19
20			
21	M04	10	17
22	G10	3	25
23	M04	7	15
24	G10	11	25
25	M04	23	15
26	G10	1	25
27	M04	22	15
28	G10	13	25

JACK PIN LG
CIRCUIT SPECIFICATION 11827600

60150800 Rev N

Read Flag
Multiply 2
 X_k



IN

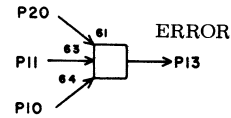
5L18

1	M03	12	17
2	G11	15	25
3	H18	20	19
4	G11	28	25
5	M03	25	17
6	G11	17	25
7	M03	9	17
8	G11	21	25
9	M03	24	17
10			
11			
12	K14	1	7
13	F35	12	31
14	K14	2	7
15	N10	19	13
16	K14	27	7
17	F38	25	25
18	H37	25	25
19	H23	25	19
20	I05	26	17
21	M04	12	17
22	G11	3	23
23	M04	9	17
24	G11	11	25
25	M04	25	17
26	G11	1	25
27	M04	24	17
28	G11	13	25

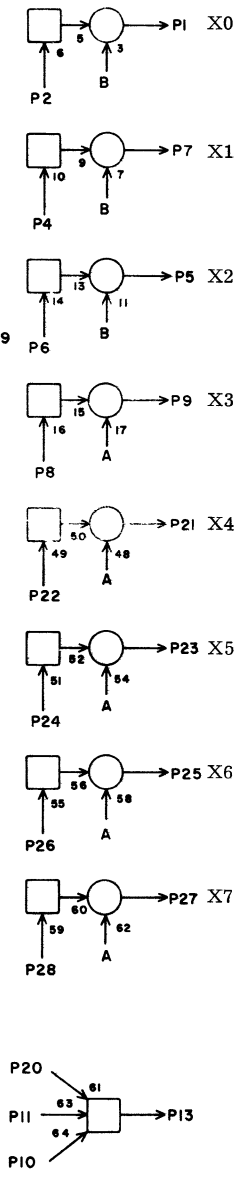
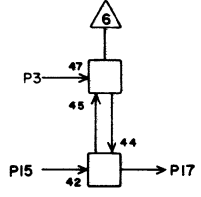
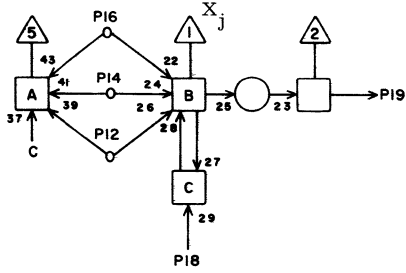
JACK PIN LG

60150800 Rev. F

5L18



Read Flag
Long Add
 X_j



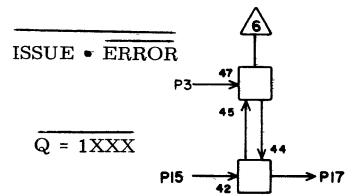
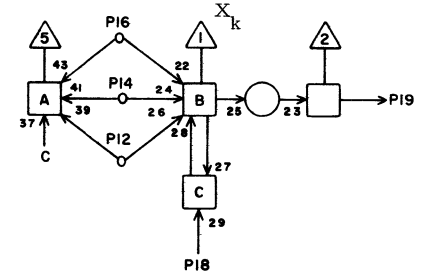
IN 5L15

1	M03	14	19
2	G13	17	25
3	Q26	7	25
4	G13	28	23
5	M03	27	19
6	G13	15	25
7	M03	11	19
8	G13	21	25
9	M03	26	19
10	M21	28	17
11	M09	24	13
12	K15	1	7
13	P13	18	21
14	K15	2	7
15	Q20	14	132
16	K15	27	7
17	M23	21	11
18	I36	2	23
19	H22	23	19
20			
21	M04	14	17
22	G13	3	25
23	M04	11	17
24	G13	11	25
25	M04	27	17
26	G13	1	23
27	M04	26	17
28	G13	13	23

JACK PIN LG

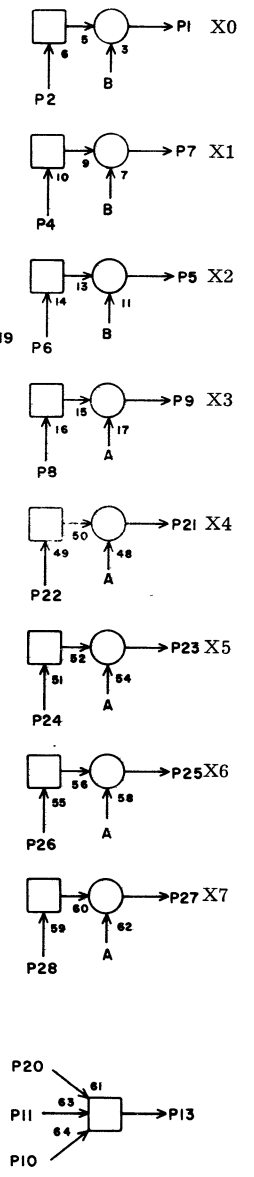
60150800 Rev. BD

Read Flag
Long Add
 X_k



ISSUE = ERROR
Q = 1XXX

Branch Select
Long Add Release



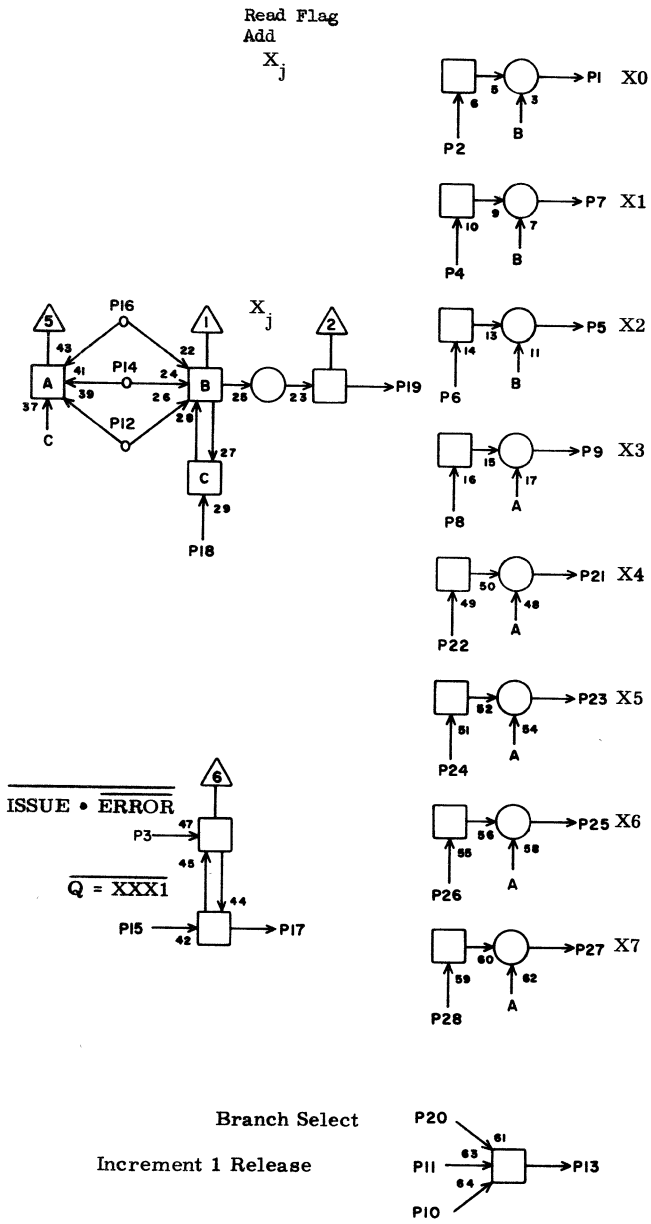
IN 5L20

1	M05	4	17
2	G14	15	23
3	F39	19	31
4	G14	28	25
5	M05	17	17
6	G14	17	25
7	M05	1	17
8	G14	21	25
9	M05	16	17
10	L20	17	3
11	Q42	9	25
12	K16	1	7
13	L08	20	15
14	K16	2	7
15	F40	19	120
16	K16	27	7
17	L20	10	3
18	I36	4	23
19	H22	25	19
20	P18	5	19
21	M06	4	17
22	G14	3	25
23	M06	1	17
24	G14	11	25
25	M06	17	17
26	G14	1	25
27	M06	16	17
28	G14	13	25

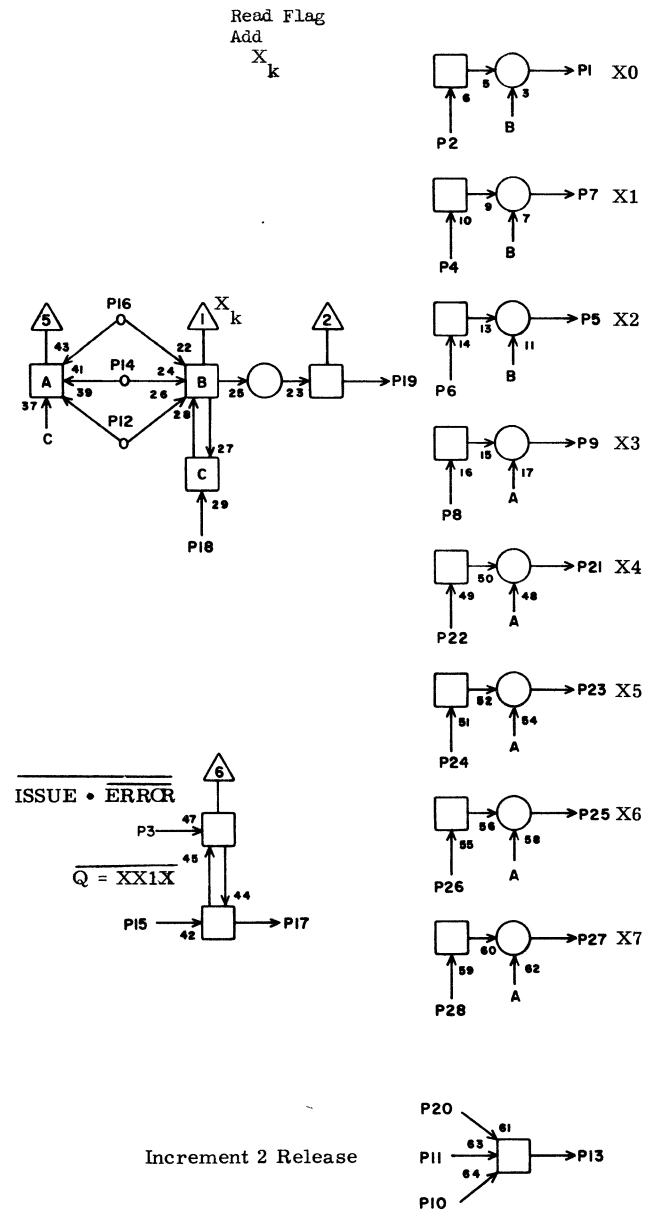
JACK PIN LG

60150800 Rev. AW

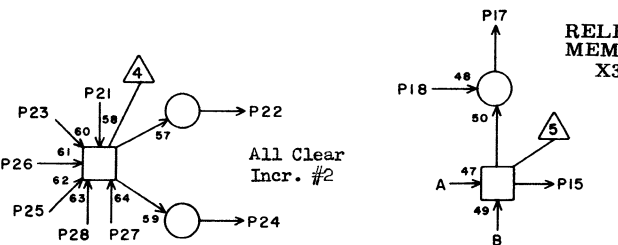
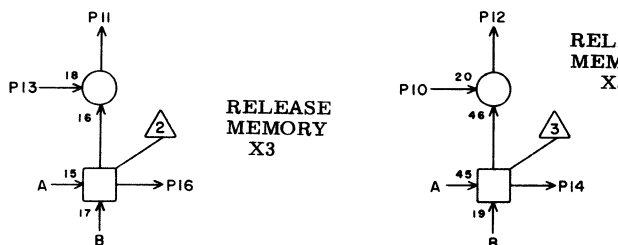
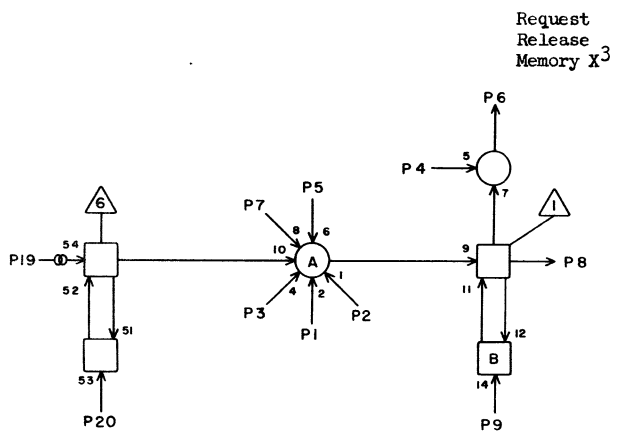
*Ser. 1-7
P19-16-19



IN			
5L21			
1	M05	6	19
2	G16	15	25
3	F39	27	31
4	G16	28	25
5	M05	19	19
6	G16	17	25
7	M05	3	19
8	G16	21	25
9	M05	18	19
10	L21	17	5
11	P21	20	17
12	K17	1	7
13	L08	10	15
14	K17	2	7
15	F40	9	120
16	K17	27	7
17	L21	10	5
18	I36	1	23
19	H22	6	19
20	P18	11	17
21	M06	6	17
22	G16	3	25
23	M06	3	17
24	G16	11	25
25	M06	19	17
26	G16	1	25
27	M06	18	17
28	G16	13	25
	JACK	PIN	LG

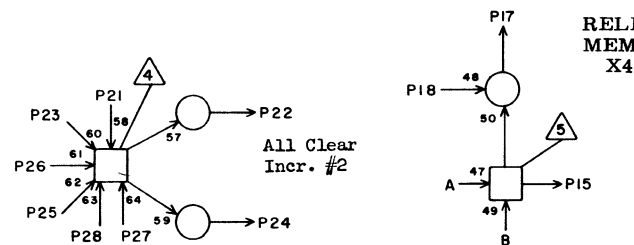
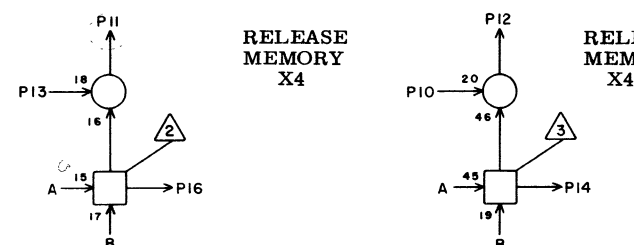
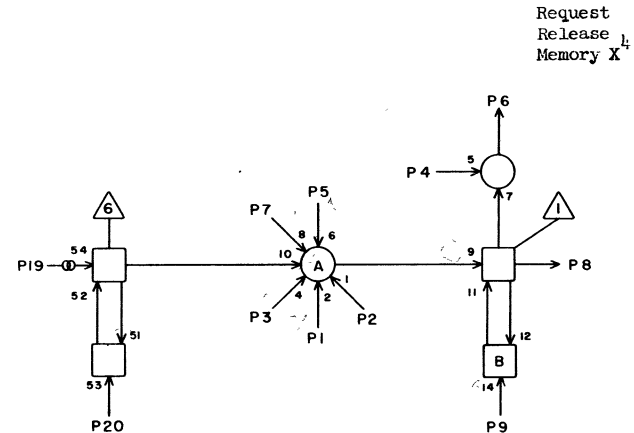


IN			
5L22			
1	M05	8	19
2	G17	15	23
3	F39	28	31
4	G17	28	23
5	M05	21	19
6	G17	17	23
7	M05	5	19
8	G17	21	23
9	M05	20	19
10	L22	17	5
11	P18	7	19
12	K18	1	7
13	L08	11	15
14	K18	2	7
15	F40	5	120
16	K18	27	7
17	L22	10	5
18	I36	3	21
19	H22	4	19
20	N22	16	11
21	M06	8	19
22	G17	3	25
23	M06	5	19
24	G17	11	23
25	M06	21	19
26	G17	1	25
27	M06	20	19
28	G17	12	23
	JACK	PIN	LG



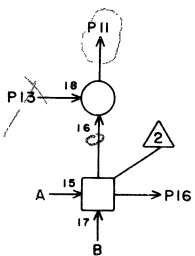
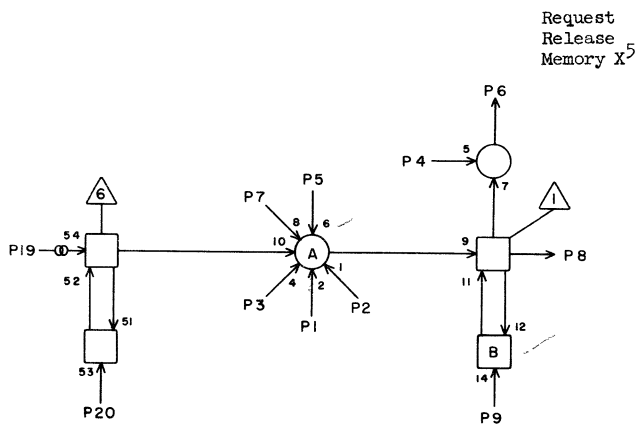
IL 5123			
JACK	PIN	LG	
1	H19	2	19
2	M15	28	13
3			
4			
5			
6			
7			
8	K32	17	13
9	G19	6	23
10	P41	8	25
11	J33	16	15
12	L23	20	3
13			
14			
15	O34	9	19
16	K33	17	15
17			
18			
19	H21	4	19
20	L23	12	3
21	N19	2	13
22	J21	5	13
23	N19	28	13
24			
25	N20	2	11
26	N20	28	11
27	N17	13	13
28	N17	16	13

60150800 Rev. B

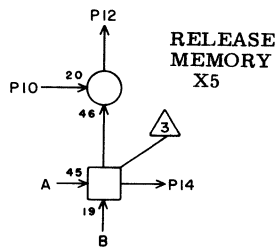


IL 5124			
JACK	PIN	LG	
1	N09	27	21
2	M16	28	13
3			
4			
5			
6			
7			
8	K34	17	13
9	G19	4	23
10	Q31	12	23
11	K27	16	7
12	L24	20	3
13			
14			
15	O34	11	19
16	K35	17	13
17			
18			
19	H21	27	19
20	L24	12	3
21	N18	13	13
22	J21	7	13
23	N18	16	13
24			
25	N19	13	13
26	N19	16	13
27	N20	13	13
28	N20	16	13

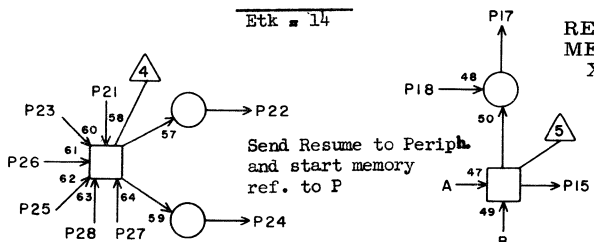
60150800 Rev. B



RELEASE MEMORY X5



RELEASE MEMORY X5



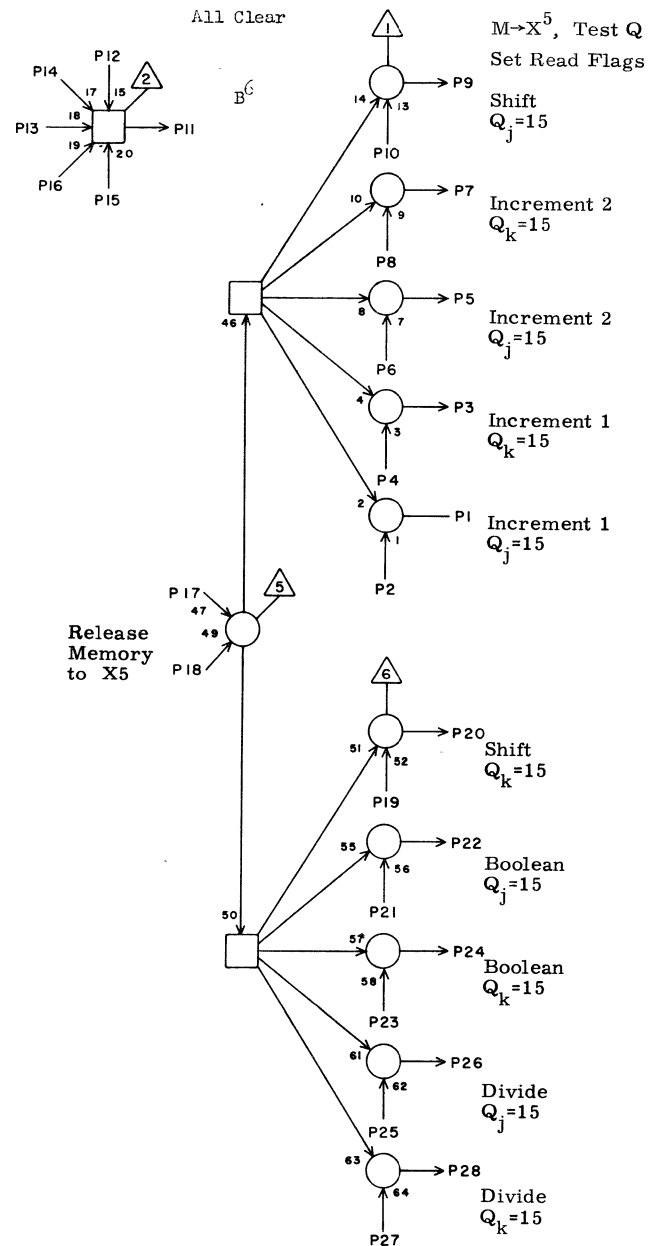
RELEASE MEMORY X5

INCH

IL 5L25

1	N09	28	19
2	M17	28	13
3			
4			
5			
6			
7			
8	L26	17	5
9	G19	9	23
10	M09	15	19
11	K29	16	7
12	L25	20	3
13			
14			
15	O34	13	17
16	L27	17	7
17			
18			
19	H21	25	19
20	L25	12	3
21	Q19	16	23
22	H02	23	37
23	Q20	17	23
24	K39	25	17
25	Q33	15	21
26	Q20	15	23
27	M23	22	108
28	M21	17	21

JACK PIN LG

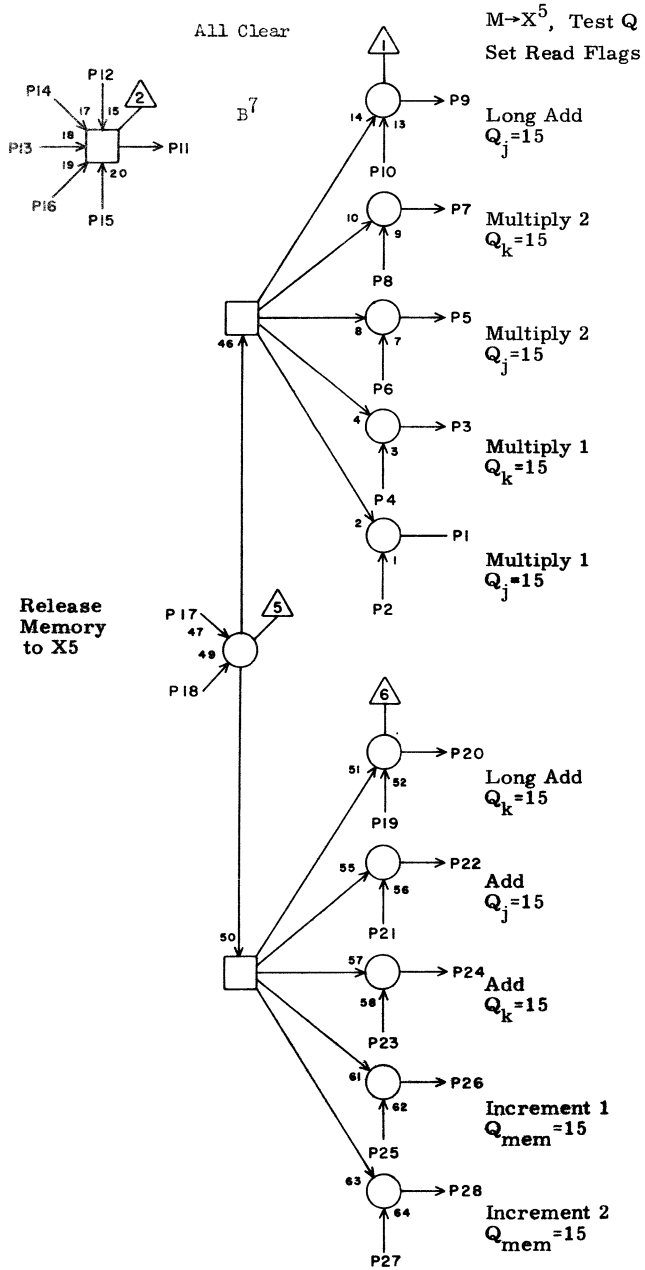


5L26

IJ 5L26

1	K01	25	27
2	J01	20	27
3	K02	25	25
4	J02	20	27
5	K03	25	25
6	J03	20	25
7	K04	25	23
8	J04	20	25
9	K05	26	23
10	J05	20	23
11	N20	1	23
12	L02	25	25
13	L04	25	25
14	L06	25	25
15	L08	25	21
16	L09	25	19
17	L25	8	5
18			
19	J06	20	23
20	K06	26	21
21	J07	20	23
22	K07	26	21
23	J08	20	21
24	K08	26	19
25	J09	20	21
26	K09	26	19
27	J10	20	21
28	K10	26	19

JACK PIN LG

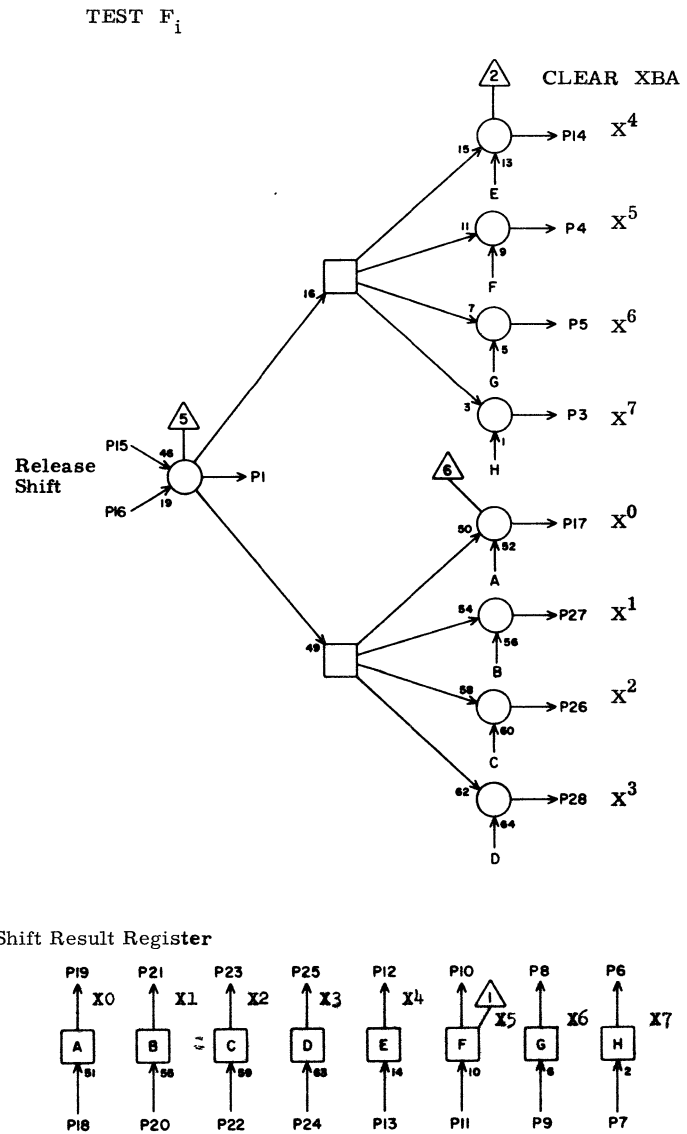


IJ

		5127	
1	K11	26	17
2	J11	20	19
3	K12	26	17
4	J12	20	19
5	K13	26	17
6	J13	20	19
7	K14	26	17
8	J14	20	17
9	K15	26	15
10	J15	20	17
11	N20	25	15
12	L02	27	25
13	L04	27	25
14	L06	27	25
15	L08	27	21
16	L09	27	19
17	L25	16	7
18			
19	J16	20	17
20	K16	26	15
21	J17	20	17
22	K17	26	15
23	J18	20	15
24	K18	26	13
25	J19	20	15
26	K19	26	13
27	J20	20	15
28	K20	26	13

JACK PIN LG

60150800 Rev. B



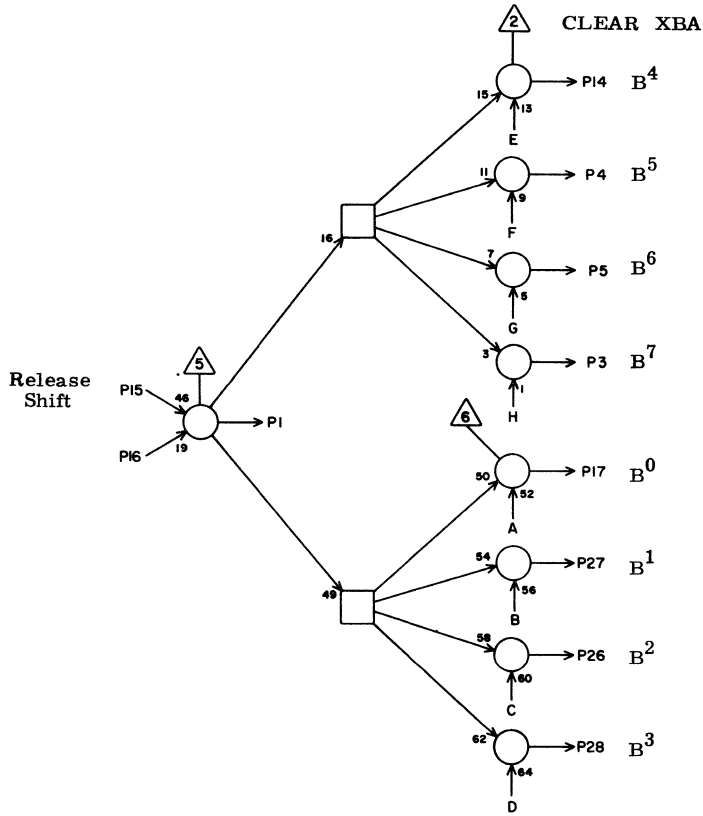
IW

		5128	
1	I37	9	17
2			
3	K32	14	7
4	K28	14	7
5	K30	14	7
6	M19	7	13
7	F18	13	27
8	M18	7	13
9	F18	1	29
10	M17	7	13
11	F18	11	27
12	M16	7	15
13	F18	3	29
14	K26	14	7
15	J22	14	13
16			
17	J26	14	15
18	F18	15	27
19	M12	7	19
20	F18	28	27
21	M13	7	17
22	F18	17	27
23	M14	7	17
24	F18	21	27
25	M15	7	15
26	J30	14	13
27	J28	14	13
28	J32	14	13

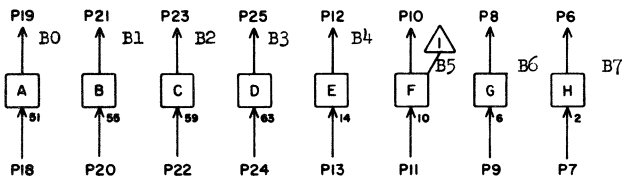
JACK PIN LG

60150800 Rev. B

TEST F_i



Shift Result Register



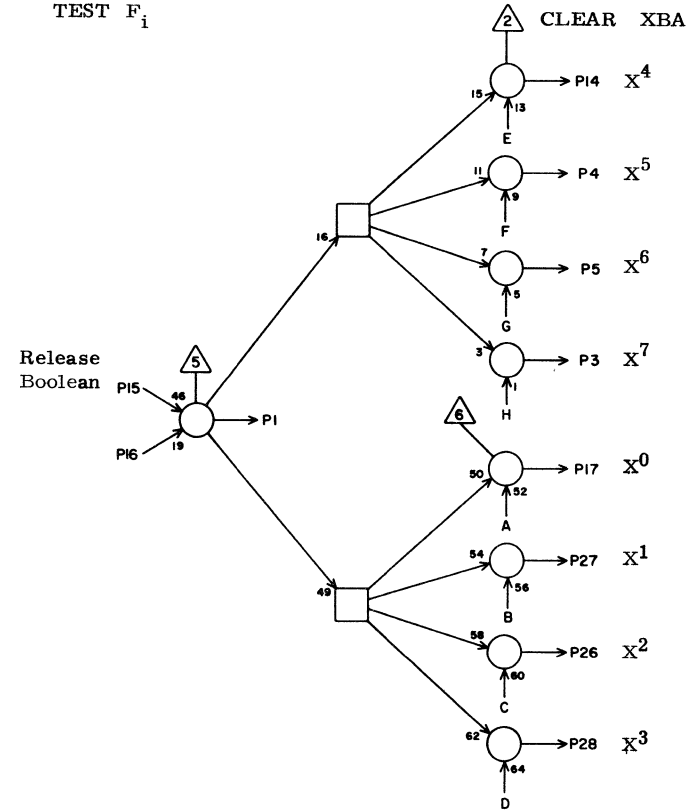
IW 5L29

1	L11	10	19
2			
3	N14	28	19
4	N12	28	19
5	N13	28	19
6	N20	24	15
7	F19	13	29
8	N20	7	15
9	F19	1	27
10	N19	24	15
11	F19	11	27
12	N19	7	15
13	F19	3	27
14	N11	28	21
15	J22	15	15
16			
17	H09	28	27
18	F19	17	29
19	N17	7	17
20	F19	28	27
21	N17	24	17
22	F19	15	29
23	N18	7	15
24	F19	21	29
25	N18	24	15
26	H11	28	27
27	H10	28	27
28	H12	28	27

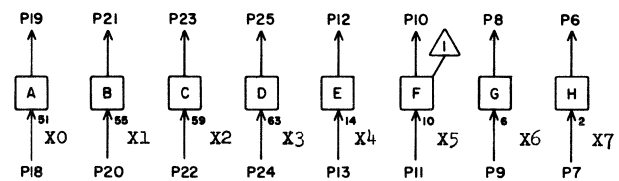
JACK PIN LG

60150800 Rev. B

TEST F_i



Boolean Result Register



IW 5L30

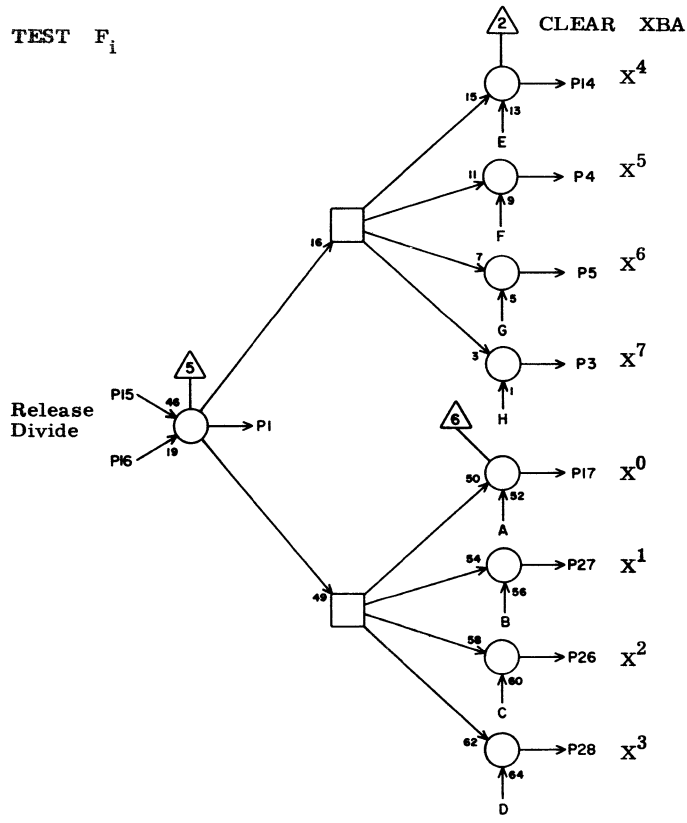
1	I37	10	17
2			
3	K32	15	5
4	K28	15	5
5	K30	15	5
6	M19	10	13
7	G03	13	33
8	M18	10	15
9	G03	1	33
10	M17	10	15
11	G03	11	33
12	M16	10	17
13	G03	3	33
14	K26	15	7
15	J23	14	15
16			
17	J26	15	15
18	G03	15	33
19	M12	10	21
20	G03	28	33
21	M13	10	27
22	G03	17	33
23	M14	10	19
24	G03	21	33
25	M15	10	17
26	J30	15	13
27	J28	15	13
28	J32	15	13

JACK PIN LG

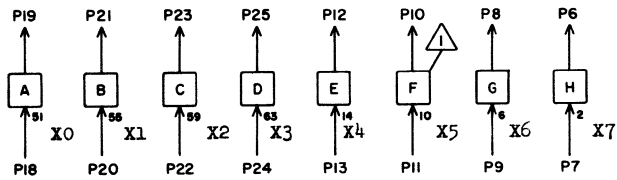
5L30

60150800 Rev. B

TEST F_i



Divide Result Reg.



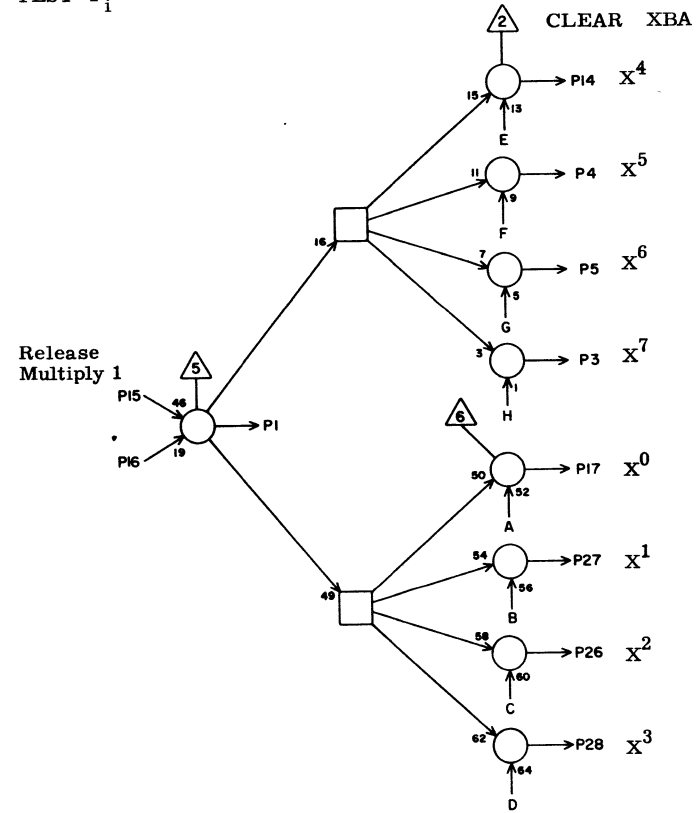
IW 5L31

1	I37	17	15
2			
3	K32	16	5
4	K28	16	7
5	K30	16	5
6	M19	16	15
7	G06	13	33
8	M18	16	17
9	G06	1	33
10	M17	16	17
11	G06	11	33
12	M16	16	17
13	G06	3	33
14	K26	16	7
15	J24	14	15
16			
17	J26	16	17
18	G06	15	33
19	M12	16	21
20	G06	28	33
21	M13	16	21
22	G06	17	33
23	M14	16	19
24	G06	21	33
25	M15	16	19
26	J30	16	13
27	J28	16	13
28	J32	16	13

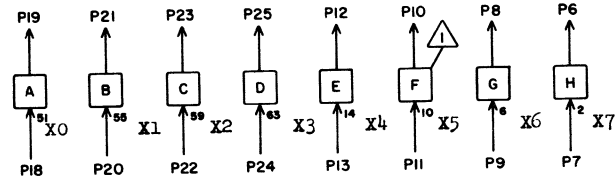
JACK PIN LG

60150800 Rev. B

TEST F_i



Mult 1 Result Reg.



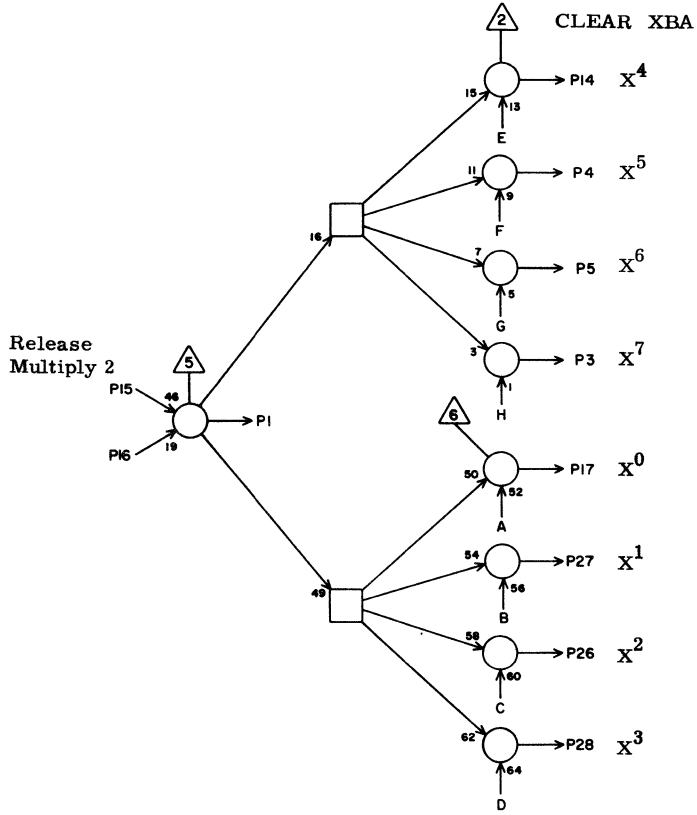
IW 5L32

1	I37	18	15
2			
3	K33	12	5
4	K29	12	7
5	K31	12	5
6	M19	19	15
7	G09	13	31
8	M18	19	17
9	G09	1	31
10	M17	19	17
11	G09	11	31
12	M16	19	17
13	G09	3	31
14	K27	12	7
15	J25	14	15
16			
17	J27	12	25
18	G09	15	31
19	M12	19	21
20	G09	28	31
21	M13	19	19
22	G09	17	31
23	M14	19	19
24	G09	21	31
25	M15	19	19
26	J31	12	13
27	J29	12	13
28	J33	12	13

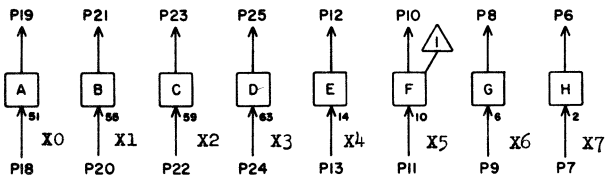
JACK PIN LG

60150800 Rev. B

TEST F_i



Multiply 2 Result Register



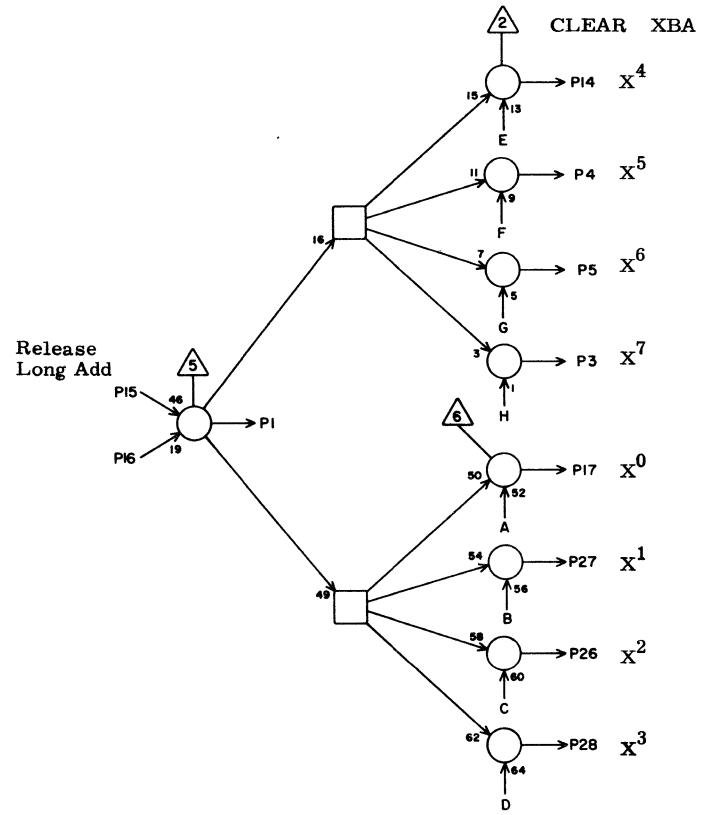
IW 5L33

1	J36	9	13
2			
3	K33	13	5
4	K29	13	7
5	K31	13	5
6	M19	20	17
7	G12	13	29
8	M18	20	17
9	G12	1	29
10	M17	20	17
11	G12	11	29
12	M16	20	19
13	G12	3	29
14	K27	13	9
15	K21	14	15
16			
17	J27	13	23
18	G12	15	29
19	M12	20	23
20	G12	28	29
21	M13	20	21
22	G12	17	29
23	M14	20	19
24	G12	21	29
25	M15	20	19
26	J31	13	13
27	J29	13	13
28	J33	13	13

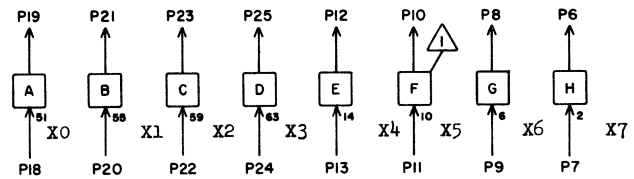
JACK PIN LG

60150800 Rev. B

TEST F_i



Long Add Result Register



IW 5L34

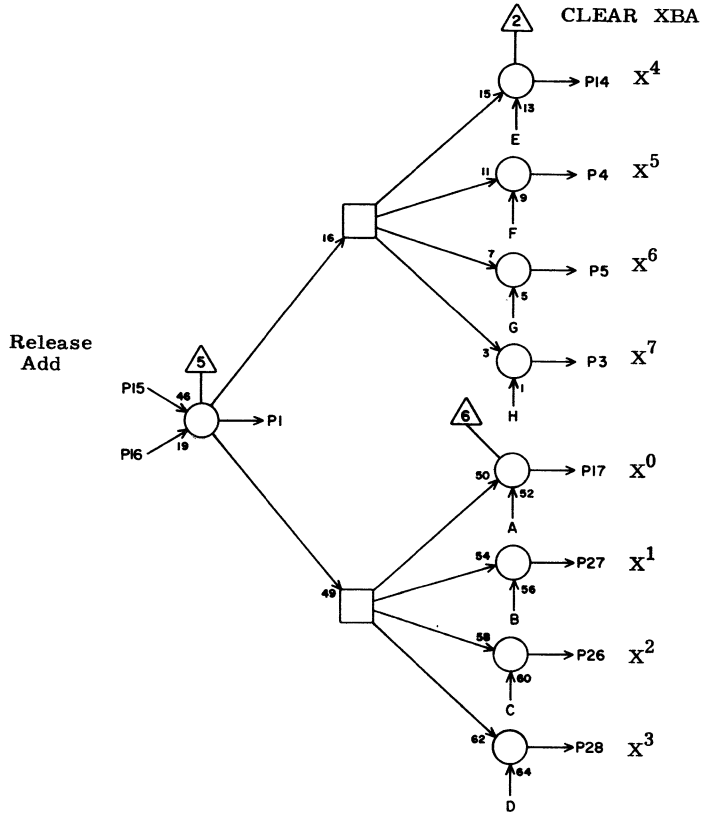
1	J36	10	13
2			
3	K33	14	5
4	K29	14	7
5	K31	14	7
6	M19	23	17
7	G15	13	29
8	M18	23	17
9	G15	1	29
10	M17	23	19
11	G15	11	29
12	M16	23	19
13	G15	3	29
14	K27	14	9
15	K22	14	15
16			
17	J27	14	15
18	G15	17	29
19	M12	23	23
20	G15	28	29
21	M13	23	23
22	G15	15	29
23	M14	23	21
24	G15	21	29
25	M15	23	21
26	J31	14	13
27	J29	14	13
28	J33	14	13

JACK PIN LG

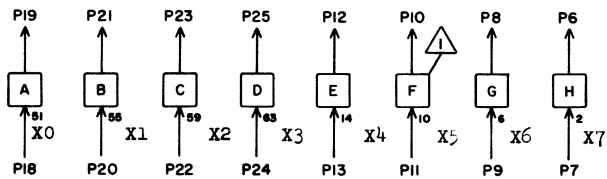
60150800 Rev. B

5L34

TEST F_i



Add Result Register



IW

5L35

1	J36	17	11
2			
3	K33	15	7
4	K29	15	11
5	K31	15	7
6	M19	25	19
7	G18	13	27
8	M18	25	19
9	G18	1	27
10	M17	25	21
11	G18	11	27
12	M16	25	21
13	G18	3	27
14	K27	15	11
15	K23	14	15
16			
17	J27	15	15
18	G18	15	27
19	M12	25	25
20	G18	28	27
21	M13	25	25
22	G18	17	27
23	M14	25	21
24	G18	21	27
25	M15	25	21
26	J31	15	13
27	J29	15	13
28	J33	15	13

JACK PIN LG

60150800 Rev. B

JD

5L36

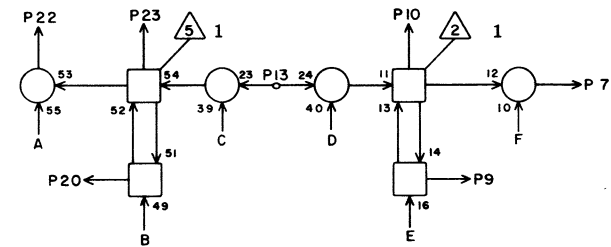
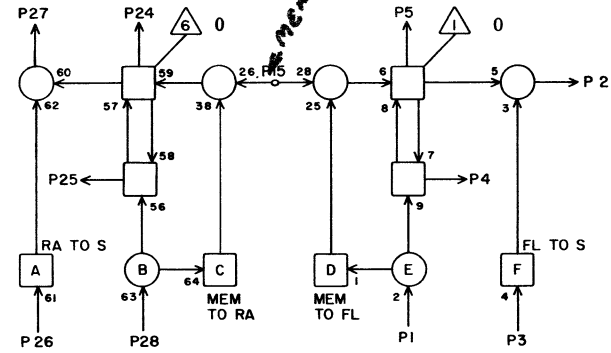
1	N24	2	17
2	M35	22	7
3	N24	16	17
4	Q01	3	41
5	Q01	2	41
6			
7	M35	7	7
8			
9	Q01	9	39
10	Q01	8	39
11	Q01	6	39
12	M35	8	7
13	N31	5	13
14	Q01	7	39
15	N31	23	13
16	M35	10	7
17	N32	23	13
18	O01	5	35
19			
20	R01	19	41
21	R01	7	41
22	M35	9	7
23	O01	13	35
24	O01	24	35
25	R01	11	39
26	N25	2	15
27	M35	24	7
28	N25	16	15

JACK PIN LG

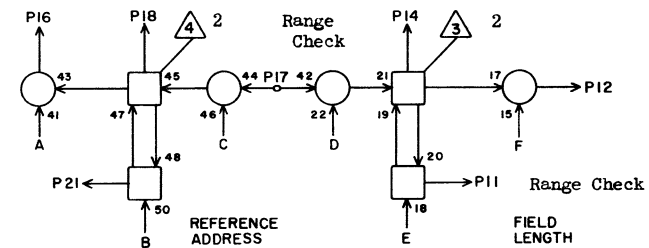
60150800 Rev. B

RA REGISTER

FL REGISTER

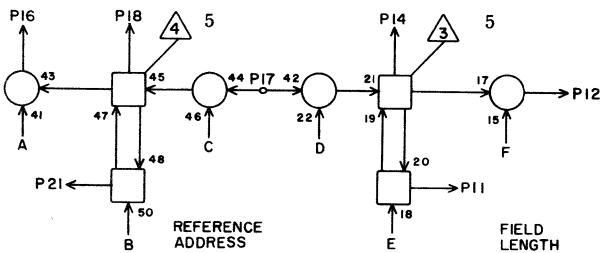
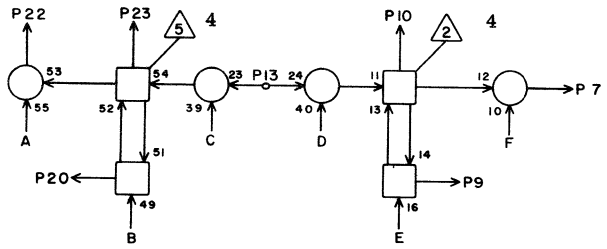
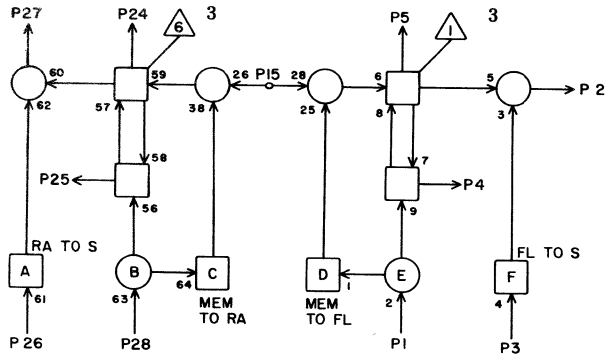


Range Check



RA REGISTER

FL REGISTER



JD 5L37

1	N24	4	17
2	M36	22	7
3	N24	18	17
4	Q01	26	41
5	Q01	25	41
6			
7	M36	7	7
8			
9	Q01	14	41
10	Q01	19	41
11	Q01	21	41
12	M36	8	7
13	N33	23	13
14	Q01	22	45
15	N32	5	13
16	M36	10	7
17	N33	5	13
18	002	5	35
19			
20	R02	19	41
21	R02	7	41
22	M36	9	7
23	002	13	35
24	002	24	35
25	R02	11	47
26	N25	4	15
27	M36	24	7
28	N25	18	15

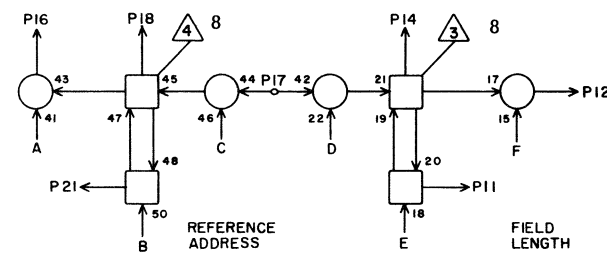
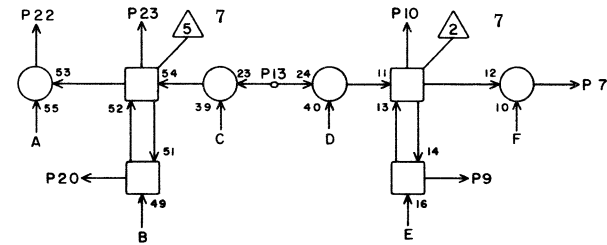
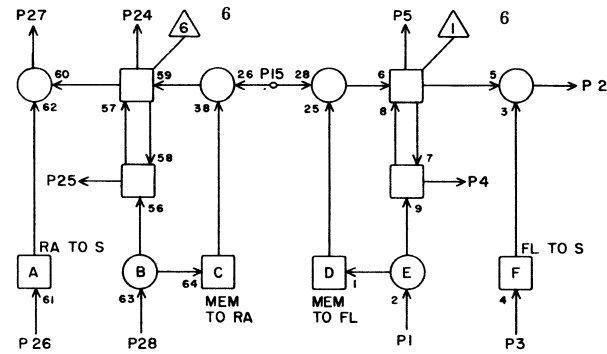
JACK PIN LG

60150800 Rev. B

JD 5L38

RA REGISTER

FL REGISTER



1	N24	6	17
2	M37	22	7
3	N24	20	17
4	Q02	3	41
5	Q02	2	41
6			
7	M37	7	7
8			
9	Q02	9	41
10	Q02	8	41
11	Q02	6	41
12	M37	8	7
13	N34	5	13
14	Q02	7	41
15	N34	23	13
16	M37	10	7
17	N35	23	13
18	003	5	35
19			
20	R03	19	41
21	R03	7	41
22	M37	9	7
23	003	13	35
24	003	24	35
25	R03	11	41
26	N25	6	17
27	M37	24	7
28	N25	20	17

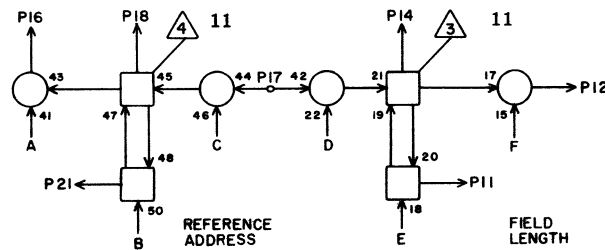
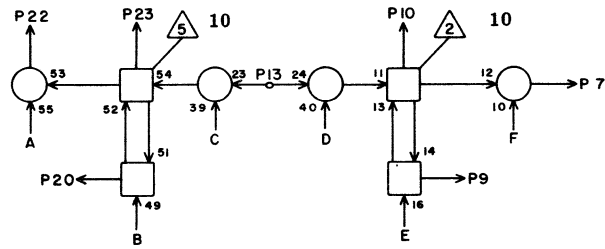
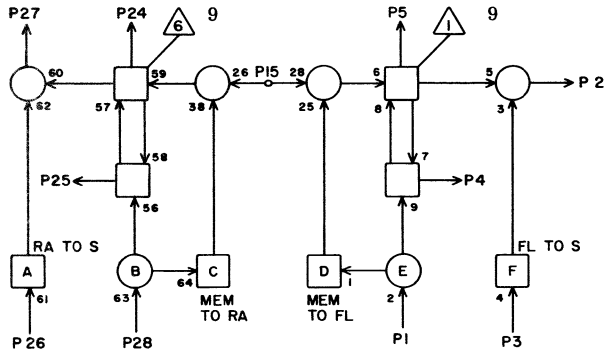
JACK PIN LG

5L38

60150800 Rev. B

RA REGISTER

FL REGISTER



JD

5L39

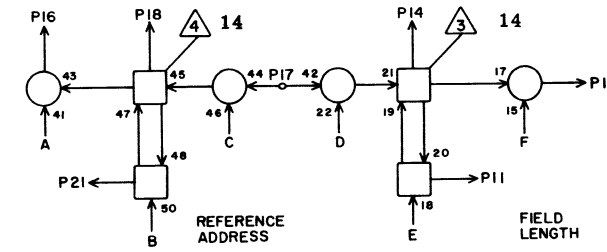
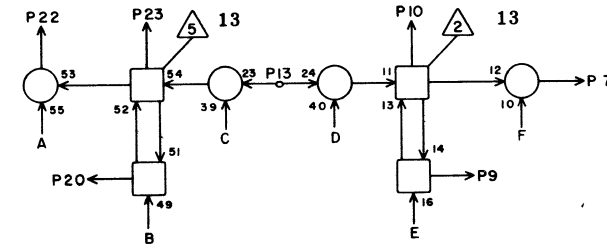
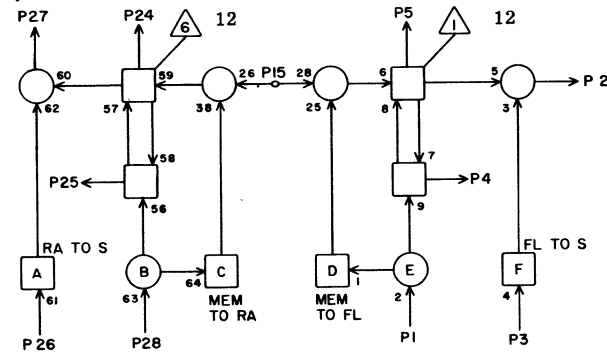
1	N24	8	19
2	M38	22	7
3	N24	22	19
4	Q02	26	41
5	Q02	25	41
6			
7	M38	7	7
8			
9	Q02	14	41
10	Q02	19	41
11	Q02	21	41
12	M38	8	7
13	N36	23	13
14	Q02	22	41
15	N35	5	13
16	M38	10	7
17	N36	5	13
18	004	5	35
19			
20	R04	19	41
21	R04	7	41
22	M38	9	7
23	004	13	35
24	004	24	35
25	R04	11	41
26	N25	8	17
27	M38	24	7
28	N25	22	17

JACK PIN LG

60150800 Rev.B

RA REGISTER

FL REGISTER



(Bits 15-17 on M34)

JD

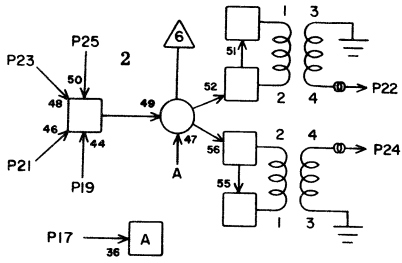
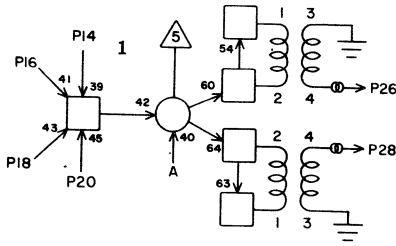
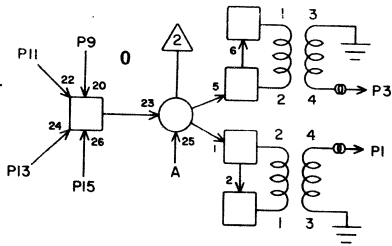
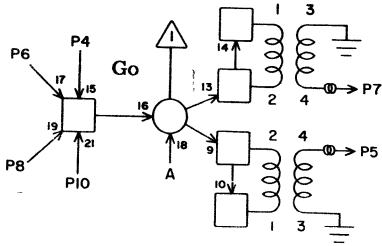
5L40

1	N24	10	19
2	M39	22	7
3	N24	24	19
4	Q03	3	41
5	Q03	2	41
6			
7	M39	7	7
8			
9	Q03	9	41
10	Q03	8	41
11	Q03	6	7
12	M39	8	7
13	P35	6	19
14	Q03	7	41
15	P35	13	19
16	M39	10	7
17	P35	23	19
18	005	5	35
19			
20	R05	19	41
21	R05	7	41
22	M39	9	7
23	005	13	35
24	005	24	35
25	R05	11	41
26	N25	10	17
27	M39	24	7
28	N25	24	17

JACK PIN LG

60150800 Rev.B

Go Read (B_j)
Increment

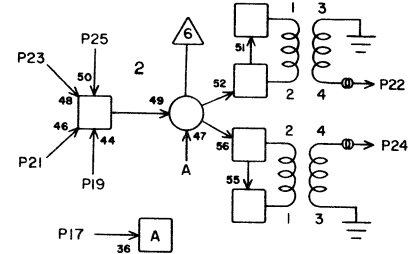
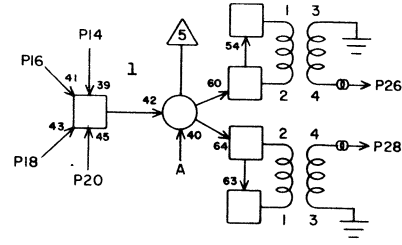
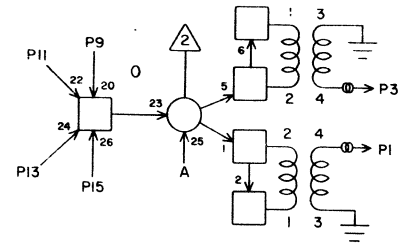
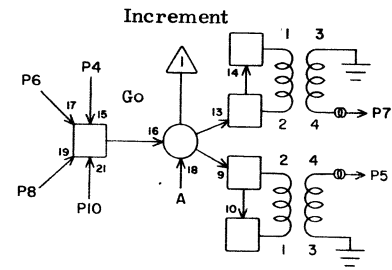


IZ 5L41

1	W20	901	
2			
3			
4	M08	2	33
5	W20	900	
6	M08	27	33
7			
8			
9	F02	5	45
10			
11	F09	5	41
12			
13			
14	F02	19	45
15			
16	F09	19	45
17	K36	4	11
18			
19	F02	26	45
20			
21	F09	26	41
22	W20	903	
23			
24			
25			
26	W20	902	
27			
28			

JACK PIN LG

Go Read (B_k)
Increment

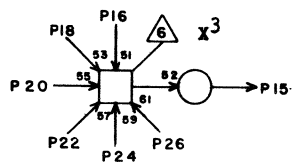
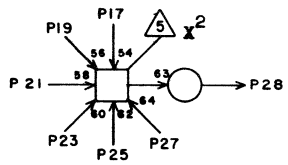
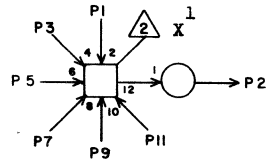
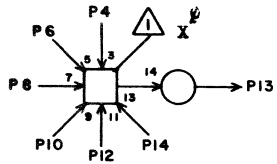


IZ 5L42

1	W20	905	
2			
3			
4	R39	19	27
5	W20	904	
6	R39	12	27
7			
8			
9	F04	5	49
10			
11	F11	5	41
12			
13			
14	F04	19	49
15			
16	F11	19	41
17	K36	10	11
18			
19	F04	26	49
20			
21	F11	26	41
22	W20	907	
23			
24			
25			
26	W20	906	
27			
28			

JACK PIN LG

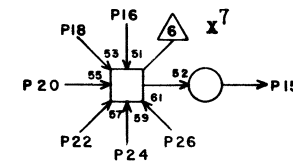
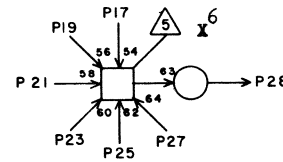
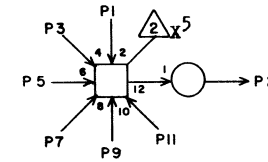
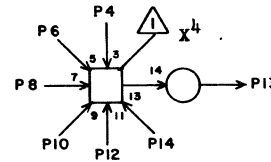
ALL CLEAR X



		5M01	
IP			
1	L01	7	5
2	M13	13	13
3	L05	7	7
4	L01	1	7
5	L10	7	13
6	L05	1	7
7	L11	7	13
8	L10	1	13
9	L12	7	15
10	L11	1	13
11	L13	7	15
12	L12	1	13
13	M12	13	15
14	L13	1	15
15	M15	13	17
16	L01	9	7
17	L01	5	7
18	L05	9	7
19	L05	5	7
20	L10	9	13
21	L10	5	13
22	L11	9	13
23	L11	5	13
24	L12	9	15
25	L12	5	15
26	L13	9	15
27	L13	5	15
28	M14	13	15
	JACK	PIN	LG

60150800 Rev. A

ALL CLEAR X

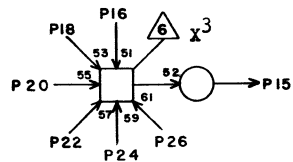
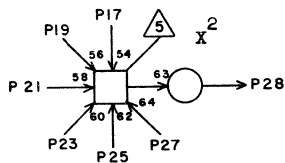
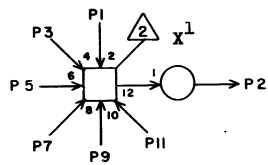
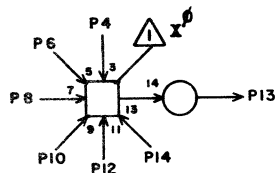


		5M02	
IP			
1	L01	23	7
2	M17	13	17
3	L05	23	7
4	L01	21	7
5	L10	23	11
6	L05	21	7
7	L11	23	13
8	L10	21	11
9	L12	23	13
10	L11	21	13
11	L13	23	15
12	L12	21	13
13	M16	13	17
14	L13	21	15
15	M19	13	19
16	L01	27	5
17	L01	25	5
18	L05	27	7
19	L05	25	7
20	L10	27	11
21	L10	25	11
22	L11	27	13
23	L11	25	13
24	L12	27	13
25	L12	25	13
26	L13	27	15
27	L13	25	15
28	M18	13	17
	JACK	PIN	LG

5M02

60150800 Rev. A

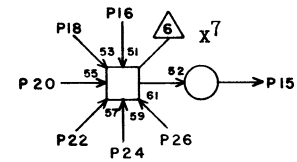
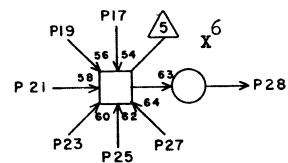
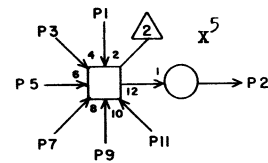
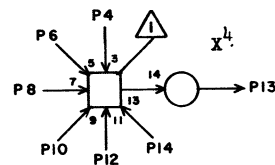
ALL CLEAR X



IP		5M03	
JACK	PIN	LG	
1	L14	7	15
2	M13	15	13
3	L15	7	15
4	L14	1	15
5	L16	7	17
6	L15	1	15
7	L17	7	17
8	L16	1	17
9	L18	7	17
10	L17	1	17
11	L19	7	19
12	L18	1	17
13	M12	15	13
14	L19	1	19
15	M15	15	13
16	L14	9	15
17	L14	5	15
18	L15	9	15
19	L15	5	15
20	L16	9	17
21	L16	5	17
22	L17	9	17
23	L17	5	17
24	L18	9	17
25	L18	5	17
26	L19	9	19
27	L19	5	19
28	M14	15	13

60150800 Rev. A

All Clear X



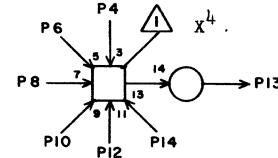
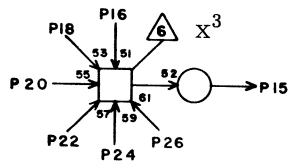
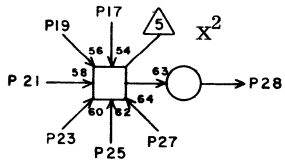
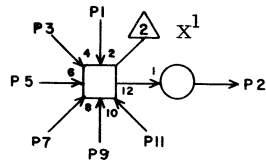
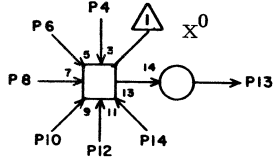
IP		5M04	
JACK	PIN	LG	
1	L14	23	13
2	M17	15	15
3	L15	23	13
4	L14	21	13
5	L16	23	15
6	L15	21	13
7	L17	23	15
8	L16	21	15
9	L18	23	17
10	L17	21	15
11	L19	23	17
12	L18	21	17
13	M16	15	15
14	L19	21	17
15	M19	15	17
16	L14	27	13
17	L14	25	13
18	L15	27	13
19	L15	25	13
20	L16	27	15
21	L16	25	15
22	L17	27	15
23	L17	25	15
24	L18	27	17
25	L18	25	17
26	L19	27	17
27	L19	25	17
28	M18	15	17

60150800 Rev. A

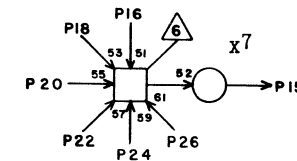
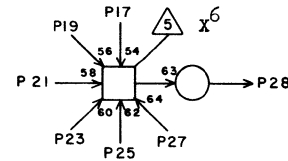
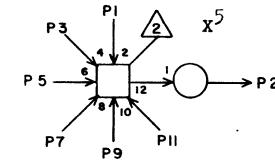
IP

5M05

ALL CLEAR X



All Clear X



1	L20	7	17
2	M13	17	11
3	L21	7	19
4	L20	1	17
5	L22	7	19
6	L21	1	19
7			
8	L22	1	19
9			
10			
11	GRD	X	2
12			
13	M12	17	11
14	GRD	X	2
15	M15	17	13
16	L20	9	17
17	L20	5	17
18	L21	9	19
19	L21	5	19
20	L22	9	19
21	L22	5	19
22			
23			
24			
25			
26	GRD	X	2
27	GRD	X	2
28	M14	17	13

JACK PIN LG

60150800 Rev A

IP

5M06

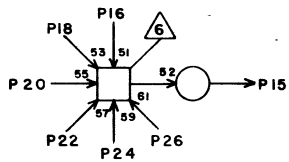
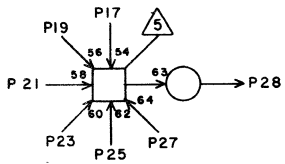
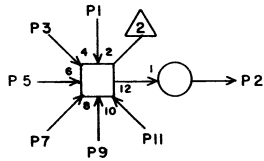
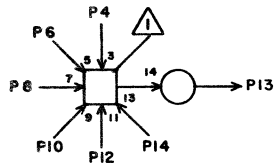
1	L20	23	17
2	M17	17	13
3	L21	23	17
4	L20	21	17
5	L22	23	19
6	L21	21	17
7			
8	L22	21	19
9			
10			
11	GRD	X	2
12			
13	M16	17	13
14	GRD	X	2
15	M19	17	15
16	L20	27	17
17	L20	25	17
18	L21	27	17
19	L21	25	17
20	L22	27	19
21	L22	25	19
22			
23			
24			
25			
26	GRD	X	2
27	GRD	X	2
28	M18	17	15

JACK PIN LG

60150800 Rev.A

5M06

ALL CLEAR, INCREMENT 1



IP

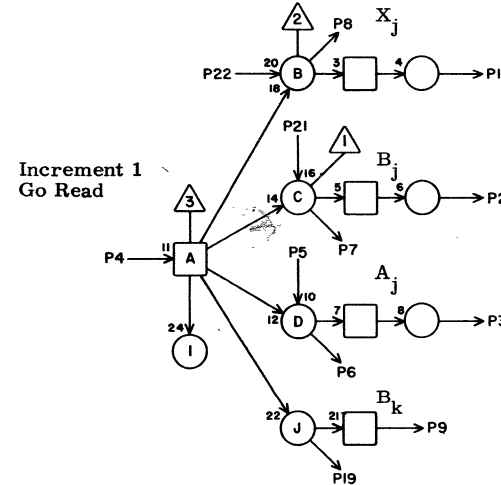
5M07

1	M12	4	7
2	I21	2	23
3	M13	4	7
4	M18	4	13
5	M14	4	11
6	M19	4	15
7	M15	4	11
8	N17	4	13
9	M16	4	13
10	N17	21	13
11	M17	4	13
12	N18	4	15
13	I21	3	25
14	N18	21	15
15	I21	5	25
16	N18	10	15
17	N19	4	15
18	N18	22	15
19	N19	21	15
20	N19	10	15
21	N20	4	17
22	N19	22	15
23	N20	21	15
24	N20	10	17
25	N17	10	13
26	N20	22	17
27	N17	22	13
28	I21	7	25

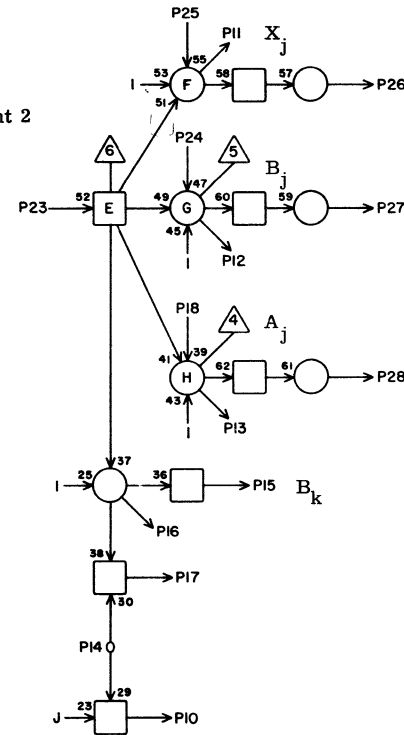
JACK PIN LG

60150800 Rev. B

INCREMENT TRUCK PRIORITY GATE, GO READ



Increment 2
Go Read



CE

408

1	K40	4	33
2	L41	4	33
3	M42	4	33
4	L09	13	7
5	F03	24	29
6	F03	10	29
7	F02	10	29
8	F01	10	31
9	R39	21	37
10	M33	25	27
11	F08	10	31
12	F09	10	31
13	F10	10	31
14	N29	27	180
15	R39	8	35
16	F11	8	31
17	M33	4	27
18	F10	24	31
19	F04	8	31
20			
21	F02	24	31
22	F01	24	31
23	L10	13	7
24	F09	24	31
25	F08	24	31
26	K40	6	33
27	L41	6	33
28	M42	6	33

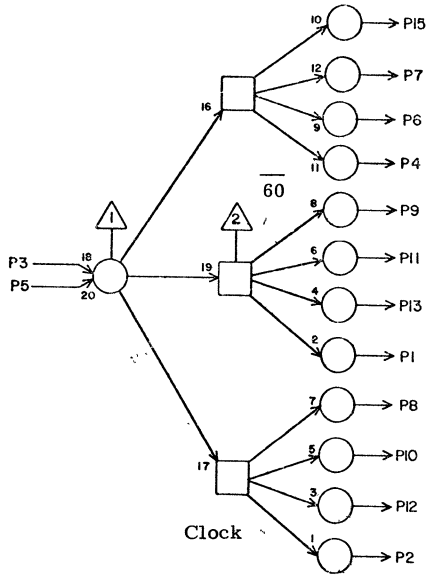
JACK PIN LG

60150800 Rev. AE

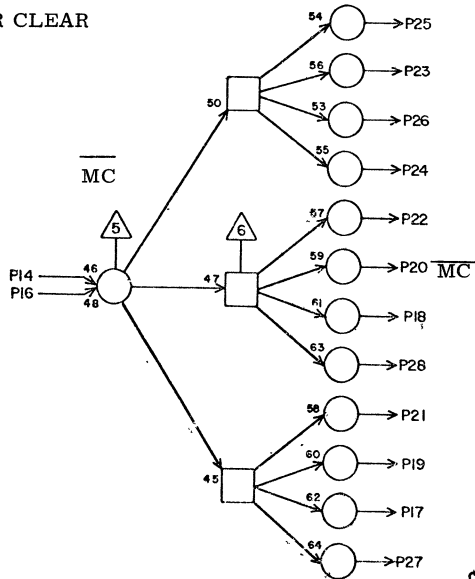
TC

5M09

CLOCK



MASTER CLEAR



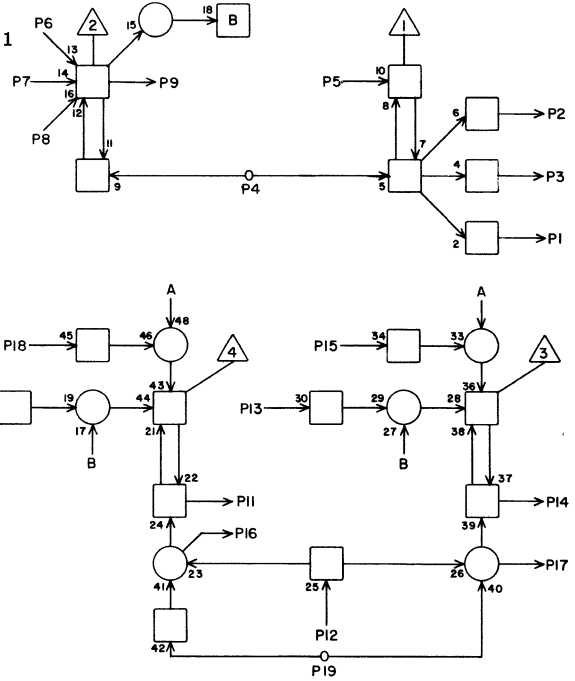
1	F42	15	41
2	P38	27	33
3	H17	6	23
4			
5			
6	Q08	25	29
7	Q07	7	29
8	Q18	24	21
9	N10	12	7
10			
11	N10	17	7
12	F38	5	41
13	M11	21	60
14	Q32	21	33
15	I25	10	19
16			
17			
18			
19			
20	P20	16	19
21	O14	20	11
22			
23	N22	28	17
24	L19	11	13
25	O40	1	31
26	K17	17	13
27			
28	K04	4	13

JACK PIN LG

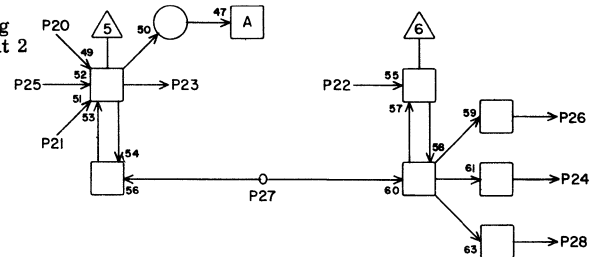
CIRCUIT SPECIFICATION 11827600

60150800 Rev BG

Read Flag
Increment 1
Memory



Read Flag
Increment 2
Memory



5M10

JZ

5M10

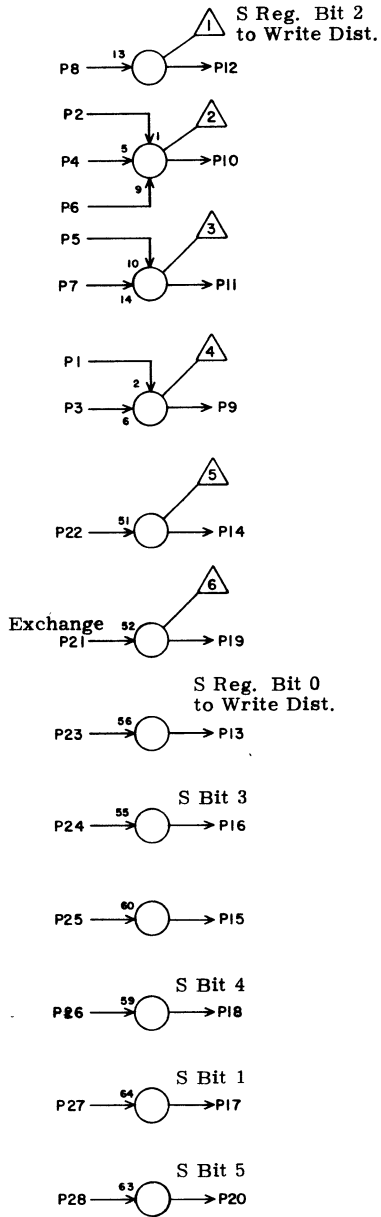
1	K01	13	15
2	K02	13	13
3	K19	14	17
4	M33	20	25
5	J38	4	31
6	K19	1	17
7	K19	2	17
8	K19	27	17
9	L09	20	5
10	H20	1	25
11			
12	K39	9	36
13	H20	13	25
14			
15	F20	13	31
16	O17	22	13
17	O14	17	11
18	F20	1	38
19	R28	28	35
20	K20	1	17
21	K20	2	17
22	J38	5	31
23	L10	20	7
24	K03	13	15
25	K20	27	17
26	K04	13	15
27	M33	9	25
28	K20	14	17

JACK PIN LG

60150800 Rev.BG

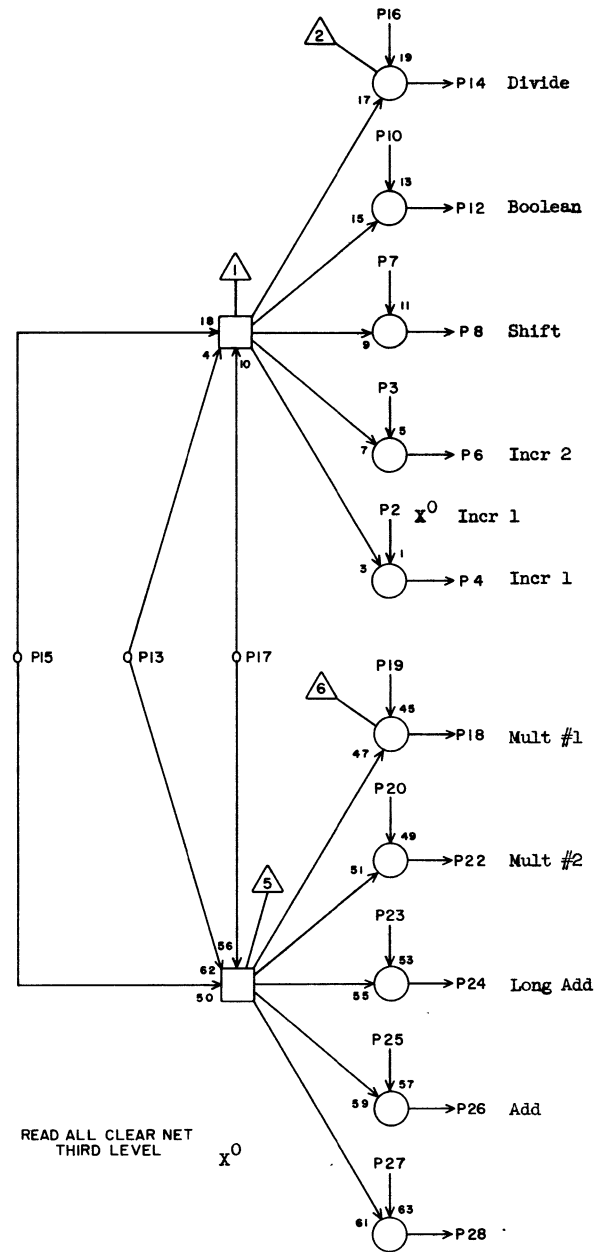
TL

5M11



1	O11	11	35
2	M11	15	9
3	P35	10	45
4	H36	1	35
5	G40	8	33
6	H36	20	35
7	Q18	17	21
8	M35	3	25
9	I05	21	25
10	K38	20	29
11	G40	25	43
12	I38	9	31
13	I38	5	33
14	Q18	16	19
15	M11	2	9
16	I38	11	33
17	I38	7	31
18	I38	13	33
19	F34	15	60
20	I38	18	31
21	M09	13	60
22	E37	17	41
23	M35	23	25
24	M36	23	25
25	O38	15	29
26	M36	12	25
27	M35	12	25
28	M36	3	25

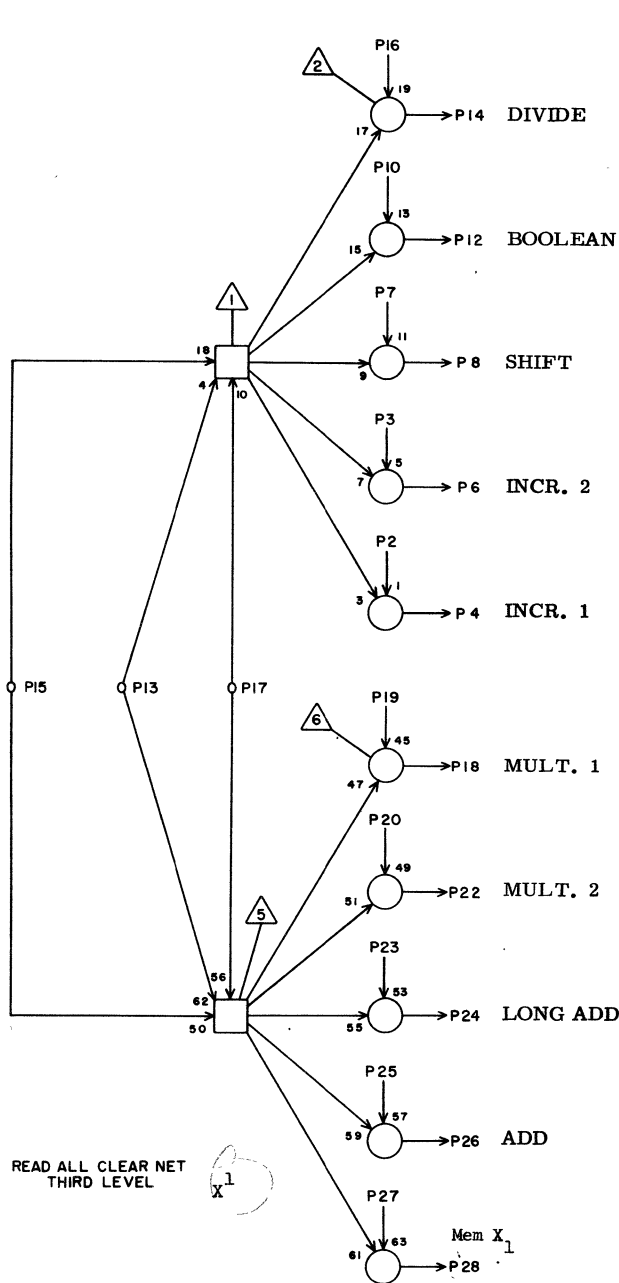
JACK PIN LG
CIRCUIT SPECIFICATION 11027600
60150800 Rev. BD



IQ 5M12

1			
2	I26	16	23
3	I30	16	25
4	M07	1	7
5			
6	K24	21	17
7	I28	19	19
8	I13	18	19
9			
10	L30	19	21
11			
12	I13	21	19
13	M01	13	15
14	I15	21	19
15	M03	13	13
16	L31	19	21
17	M05	13	11
18	I17	21	19
19	L32	19	21
20	L33	19	22
21			
22	I18	21	19
23	L34	19	23
24	I19	21	19
25	L35	19	25
26	I20	21	19
27			
28			

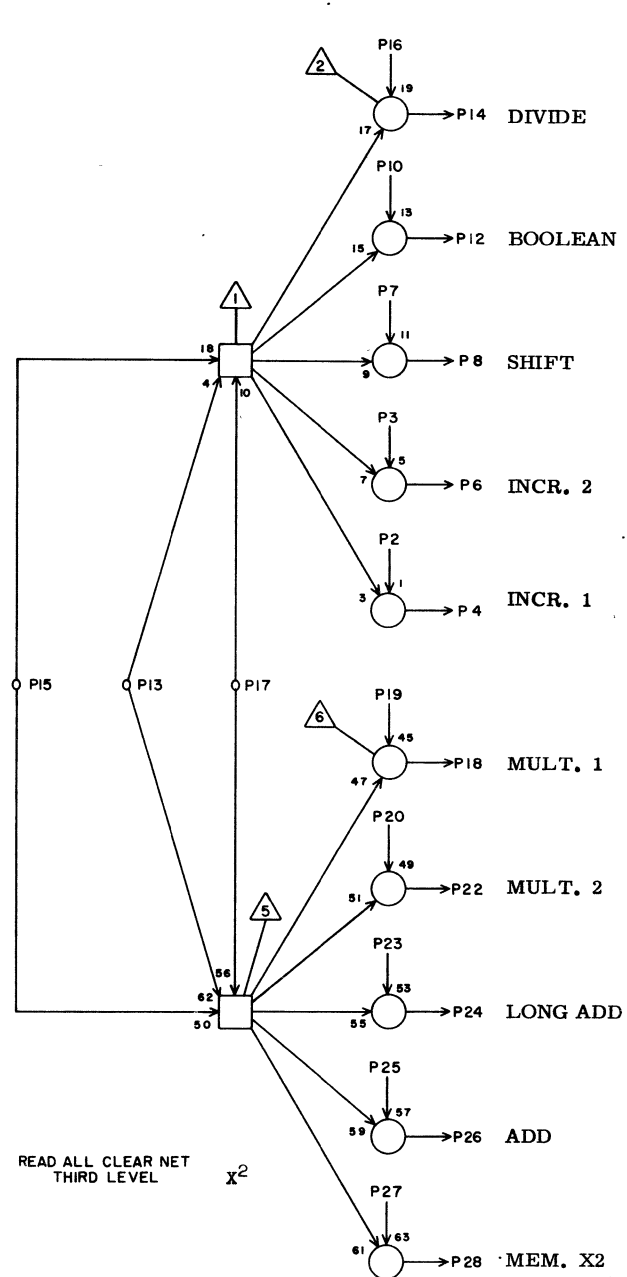
JACK PIN LG



IQ 5M13

1			
2	I26	10	23
3	I30	10	25
4	M07	3	7
5			
6	K24	23	15
7	L28	21	17
8	I13	20	19
9			
10	L30	21	27
11			
12	I13	23	19
13	M01	2	15
14	I15	23	19
15	M03	2	13
16	L31	21	21
17	M05	2	11
18	I17	23	19
19	L32	21	19
20	L33	21	21
21			
22	I18	23	19
23	L34	21	23
24	I19	23	21
25	L35	21	25
26	I20	23	19
27			
28	K24	2	15
	JACK	PIN	LG

60150800 Rev. B

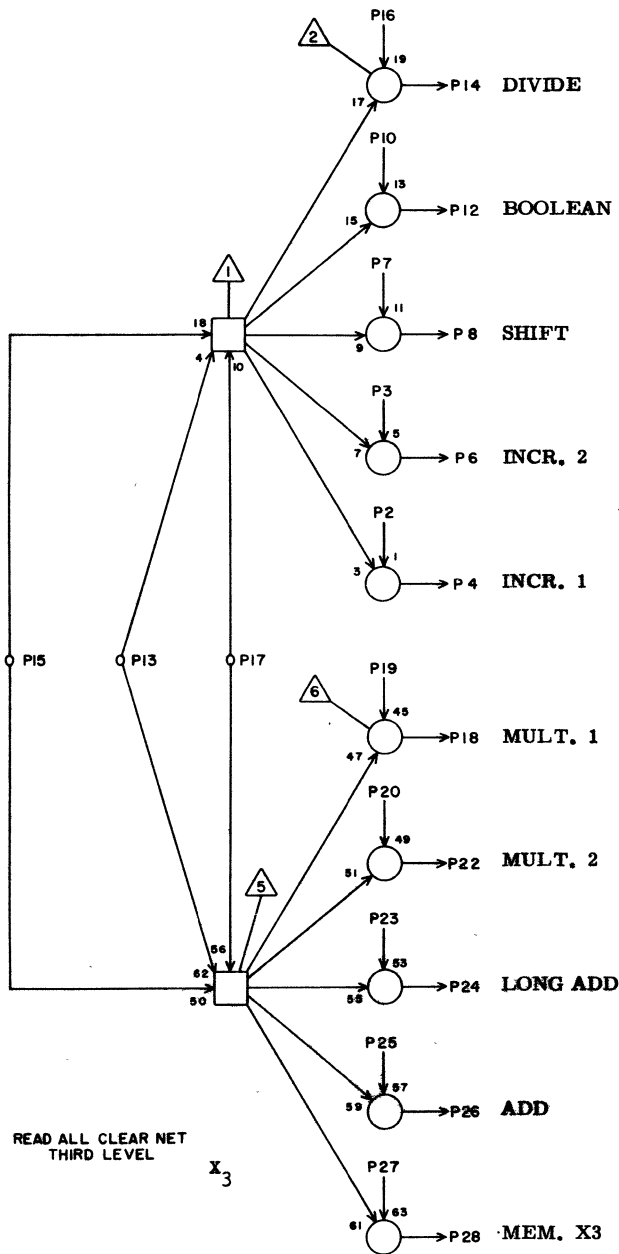


IQ 5M14

1			
2	I26	7	23
3	I30	7	25
4	M07	5	11
5			
6	K24	25	17
7	L28	23	17
8	I13	22	19
9			
10	L30	23	19
11			
12	I13	25	19
13	M01	28	15
14	I15	25	19
15	M03	28	15
16	L31	23	19
17	M05	28	13
18	I17	25	19
19	L32	23	19
20	L33	23	19
21			
22	I18	25	19
23	L34	23	21
24	I19	25	19
25	L35	23	21
26	I20	25	19
27			
28	K25	2	15
	JACK	PIN	LG

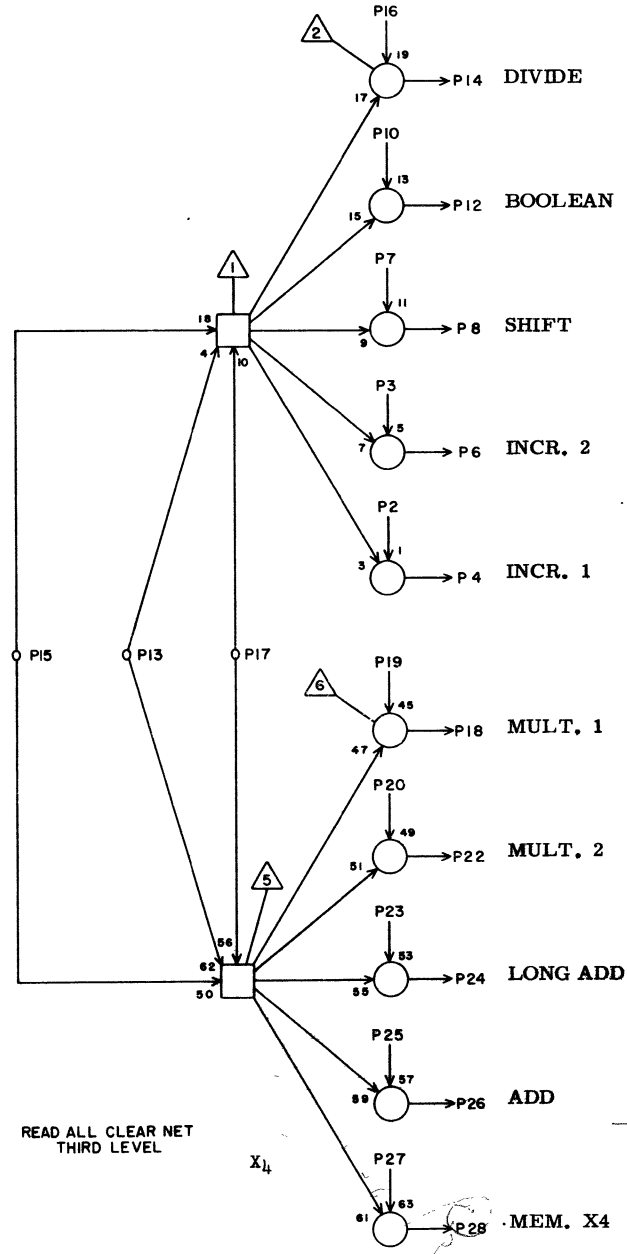
5M14

60150800 Rev. B



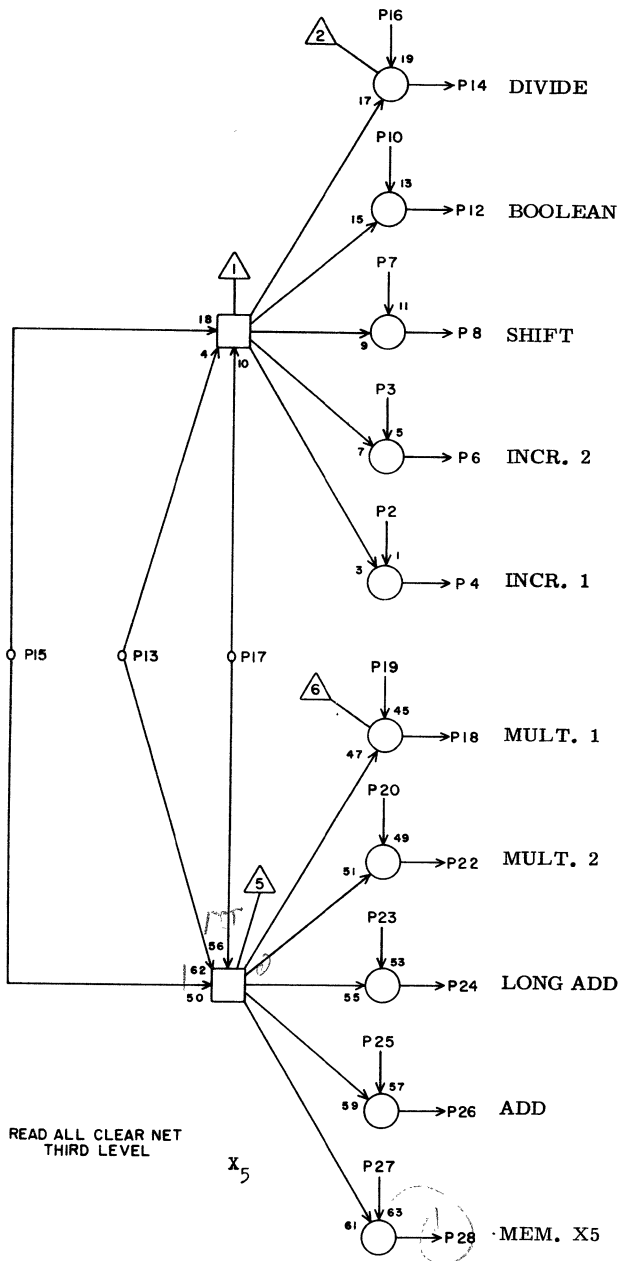
IQ		5M15	
1			
2	I26	6	21
3	I30	6	23
4	M07	7	11
5			
6	K24	26	15
7	L28	25	15
8	I13	24	19
9			
10	L30	25	17
11			
12	I13	27	17
13	M01	15	17
14	I15	27	17
15	M03	15	13
16	L31	25	19
17	M05	15	13
18	I17	27	19
19	L32	25	19
20	L33	25	19
21			
22	I18	27	19
23	L34	25	21
24	I19	27	19
25	L35	25	21
26	I20	27	19
27			
28	I23	2	13
	JACK	PIN	LG

60150800 Rev. B



IQ		5M16	
1			
2	I26	4	21
3	I30	4	23
4	M07	9	13
5			
6	K24	27	13
7	L28	12	15
8	I14	18	19
9			
10	L30	12	17
11			
12	I14	21	19
13	M02	13	17
14	I16	21	19
15	M04	13	15
16	L31	12	17
17	M06	13	13
18	I17	18	19
19	L32	12	17
20	L33	12	19
21			
22	I18	18	19
23	L34	12	19
24	I19	18	19
25	L35	12	21
26	I20	18	19
27			
28	I24	2	13
	JACK	PIN	LG

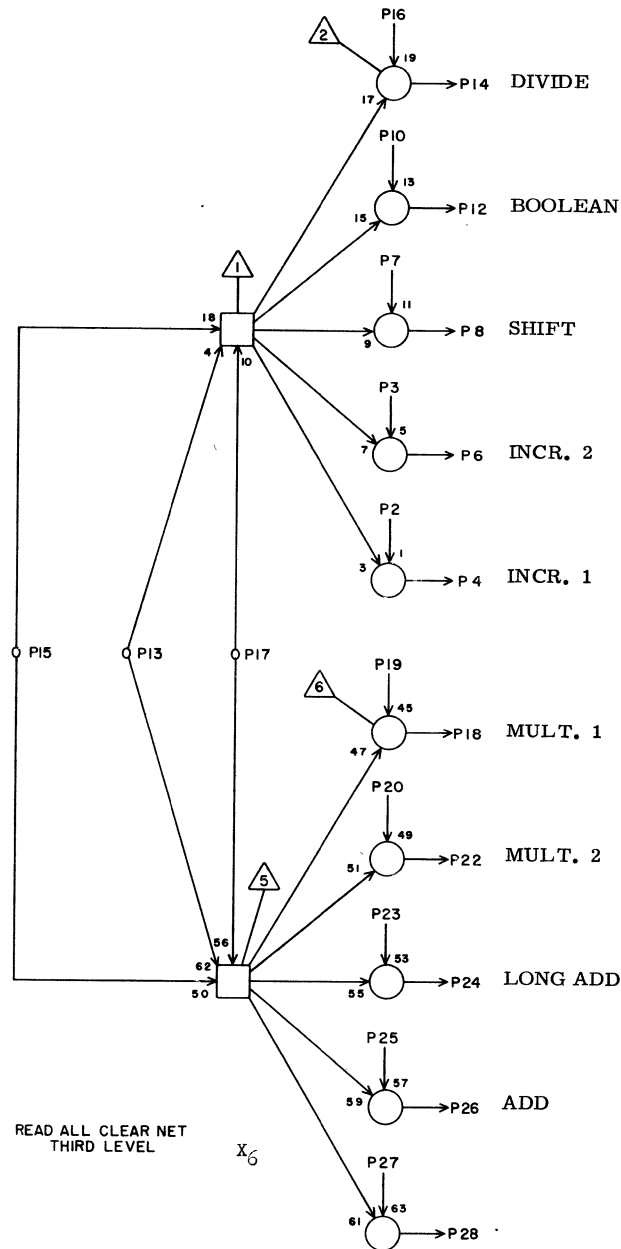
60150800 Rev. B



IQ 5M17

	JACK	PIN	LG
1			
2	I27	16	21
3	I31	16	23
4	M07	11	13
5			
6	K24	28	13
7	L28	10	13
8	I14	20	19
9			
10	L30	10	15
11			
12	I14	23	19
13	M02	2	17
14	I16	23	19
15	M04	2	15
16	L31	10	17
17	M06	2	13
18	I17	20	19
19	L32	10	17
20	L33	10	17
21			
22	I18	20	19
23	L34	10	19
24	I19	20	19
25	L35	10	19
26	I20	20	19
27			
28	I25	2	13

60150800 Rev. B

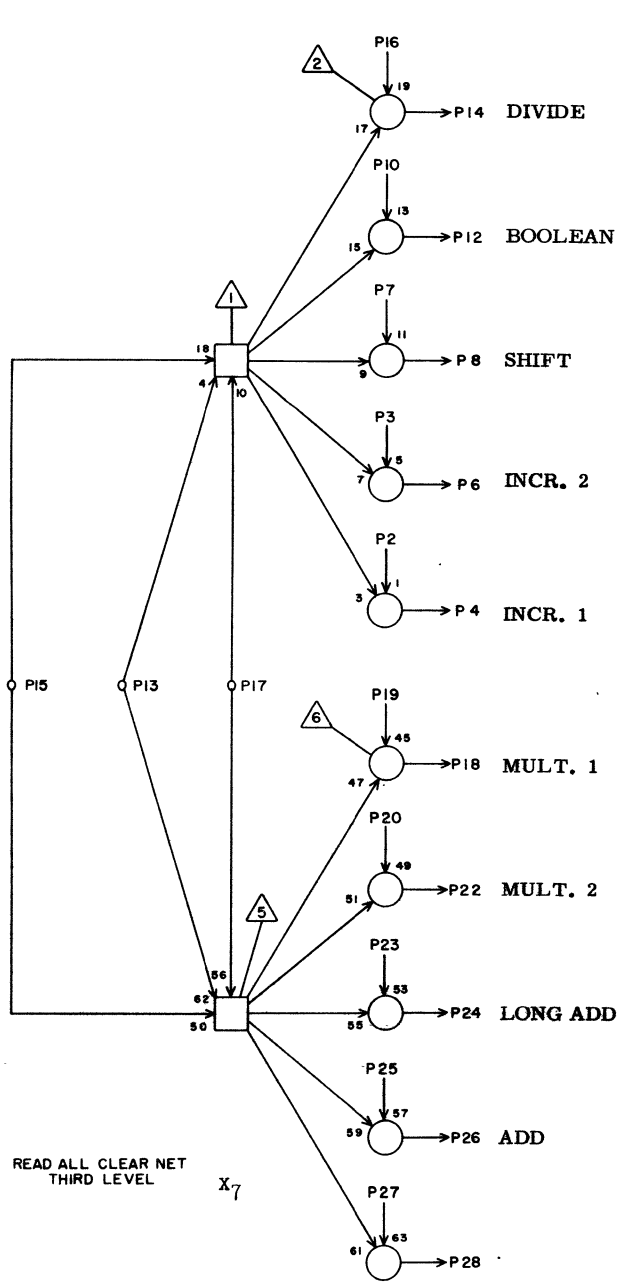


IQ 5M18

	JACK	PIN	LG
1			
2	I27	10	21
3	I31	10	23
4	M07	4	13
5			
6	K25	21	13
7	L28	8	13
8	I14	22	19
9			
10	L30	8	15
11			
12	I14	25	19
13	M02	28	17
14	I16	25	19
15	M04	28	17
16	L31	8	17
17	M06	28	15
18	I17	22	19
19	L32	8	17
20	L33	8	17
21			
22	I18	22	19
23	L34	8	17
24	I19	22	19
25	L35	8	19
26	I20	22	19
27			
28			

60150800 Rev. B

5M18

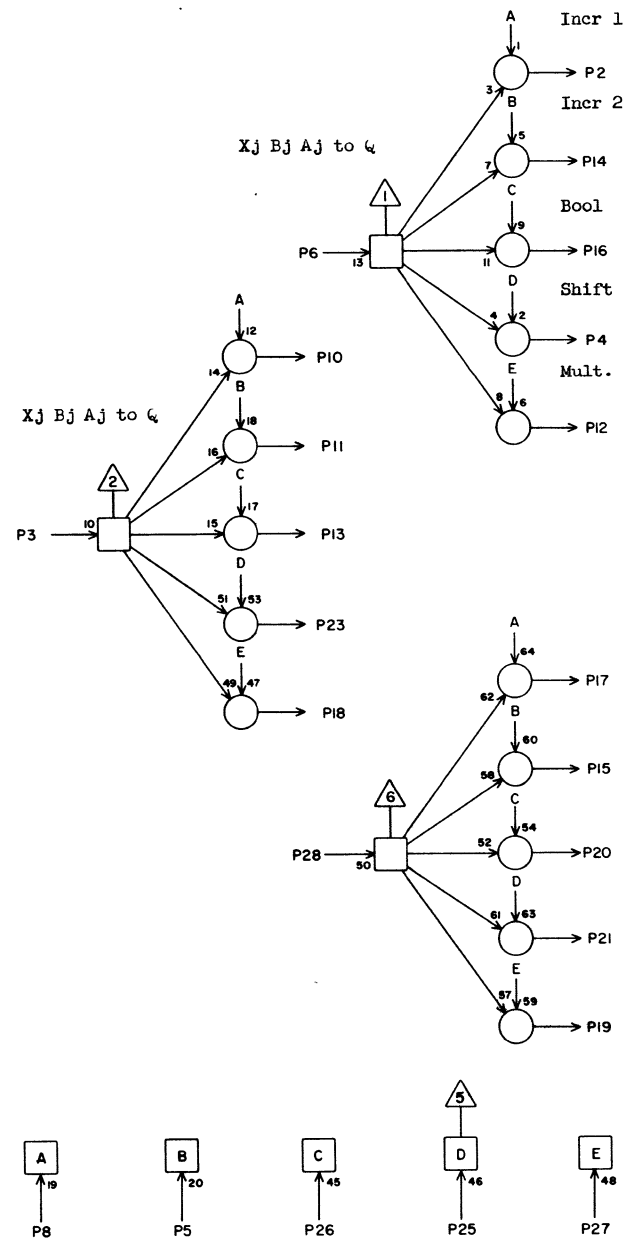


IQ 5M19

1			
2	I27	7	19
3	I31	7	23
4	M07	6	15
5			
6	K25	23	13
7	L28	6	13
8	I14	24	19
9			
10	L30	6	13
11			
12	I14	27	19
13	M02	15	19
14	I16	27	19
15	M04	15	17
16	L31	6	15
17	M06	15	17
18	I17	24	19
19	L32	6	15
20	L33	6	17
21			
22	I18	24	19
23	L34	6	17
24	I19	24	19
25	L35	6	19
26	I20	24	19
27			
28			

JACK PIN LG

60150800 Rev. B

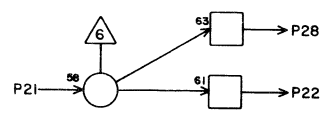
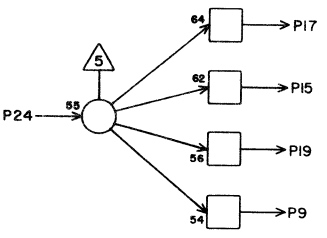
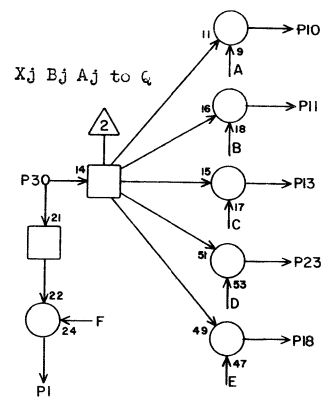
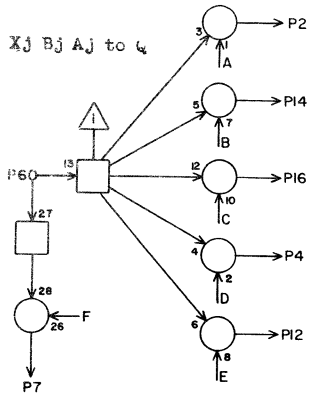


ID 5M20

1			
2	I01	9	25
3	J21	22	15
4	I05	9	23
5	E10	17	33
6	J22	22	15
7			
8	N16	17	7
9			
10	I01	13	25
11	I03	13	25
12	I11	9	21
13	I07	13	23
14	I03	9	25
15			
16	I07	9	23
17			
18	I11	13	21
19			
20			
21			
22			
23	I05	13	25
24			
25	N15	10	11
26	N15	7	11
27	N15	17	11
28			

JACK PIN LG

60150800 Rev. K

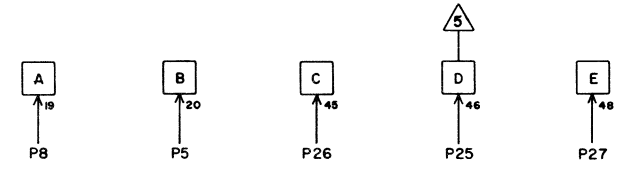
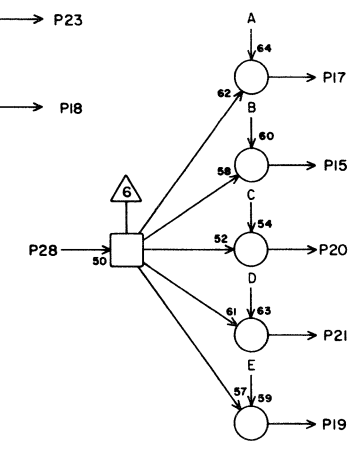
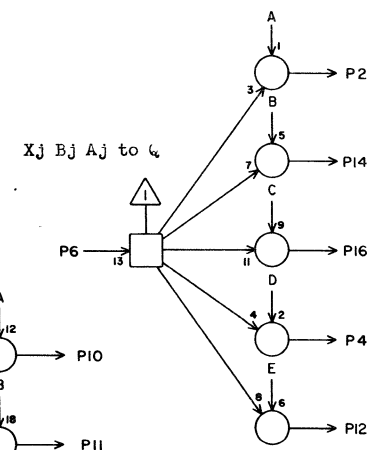
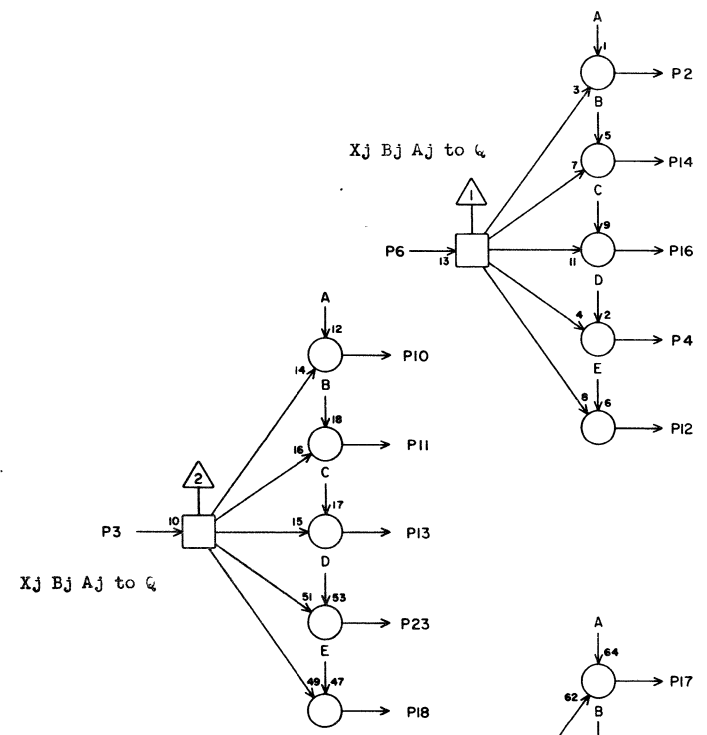


- P8 → 19 → A Mult 2
- P5 → 20 → B Long Add
- P26 → 45 → C Add
- P25 → 46 → D Mem to X⁶
- P27 → 48 → E Mem to X⁷
- P20 → 25 → F

JV 5M21

1	I09	13	21
2	I13	9	19
3	J21	24	13
4			
5	N16	18	11
6	J22	24	15
7	I09	9	21
8	N16	8	7
9	G25	15	21
10	I13	13	19
11	I15	13	19
12			
13	I17	13	19
14	I15	9	21
15	Q20	4	17
16	I17	9	21
17	L25	28	21
18			
19			
20	N15	18	11
21	G20	5	27
22	K17	19	11
23			
24	O13	23	17
25			
26	N16	7	7
27			
28	L19	10	17

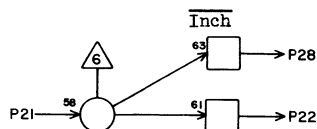
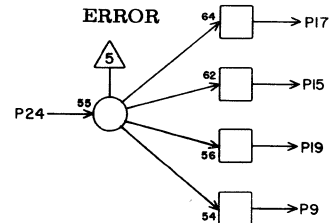
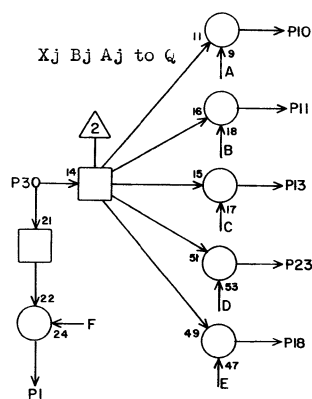
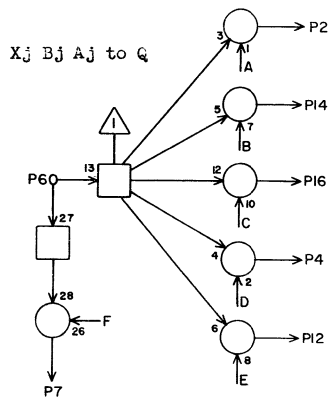
JACK PIN LG



ID 5M22

1			
2	I01	14	27
3	J23	22	15
4	I05	14	25
5	E10	19	33
6	J24	22	15
7			
8	N16	19	11
9			
10	I01	10	27
11	I03	10	27
12	I11	14	21
13	I07	10	25
14	I03	14	27
15			
16	I07	14	25
17			
18	I11	10	23
19			
20			
21			
22			
23	I05	10	25
24			
25	N15	12	13
26	N15	9	13
27	N15	19	13
28			

JACK PIN LG



- P8 → A Mult II
- P5 → B L. Add
- P26 → C Add
- P25 → D Mem to X⁶
- P27 → E Mem to X⁷
- P20 → F

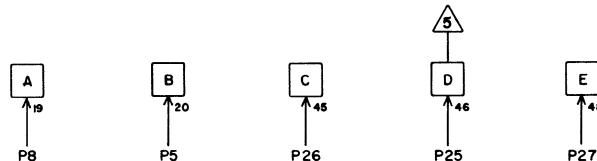
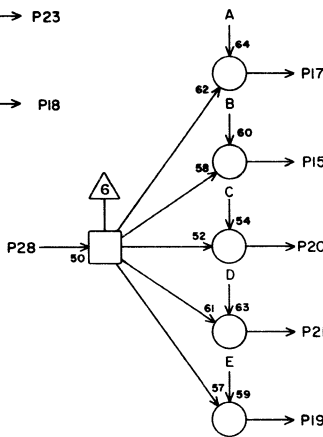
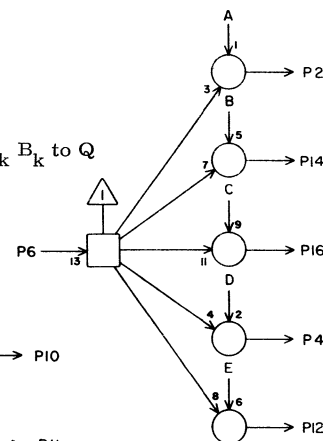
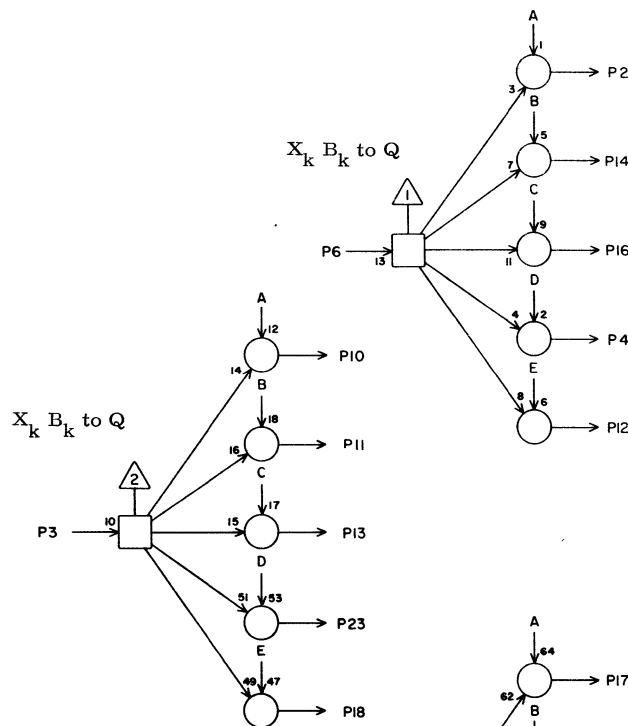
JV

5M23

1	I09	10	21
2	I13	14	21
3	J23	24	15
4			
5	N16	20	11
6	J24	24	15
7	I09	14	21
8	N16	10	11
9	O13	6	15
10	I13	10	21
11	I15	10	21
12			
13	I17	10	21
14	I15	14	21
15	P35	26	17
16	I17	14	21
17	H05	15	27
18			
19	K18	17	11
20	N15	20	11
21	L19	17	11
22	L25	27	108
23			
24	F35	17	31
25			
26	N16	9	11
27			
28	K39	10	19

JACK PIN LG

60150800 Rev.AZ



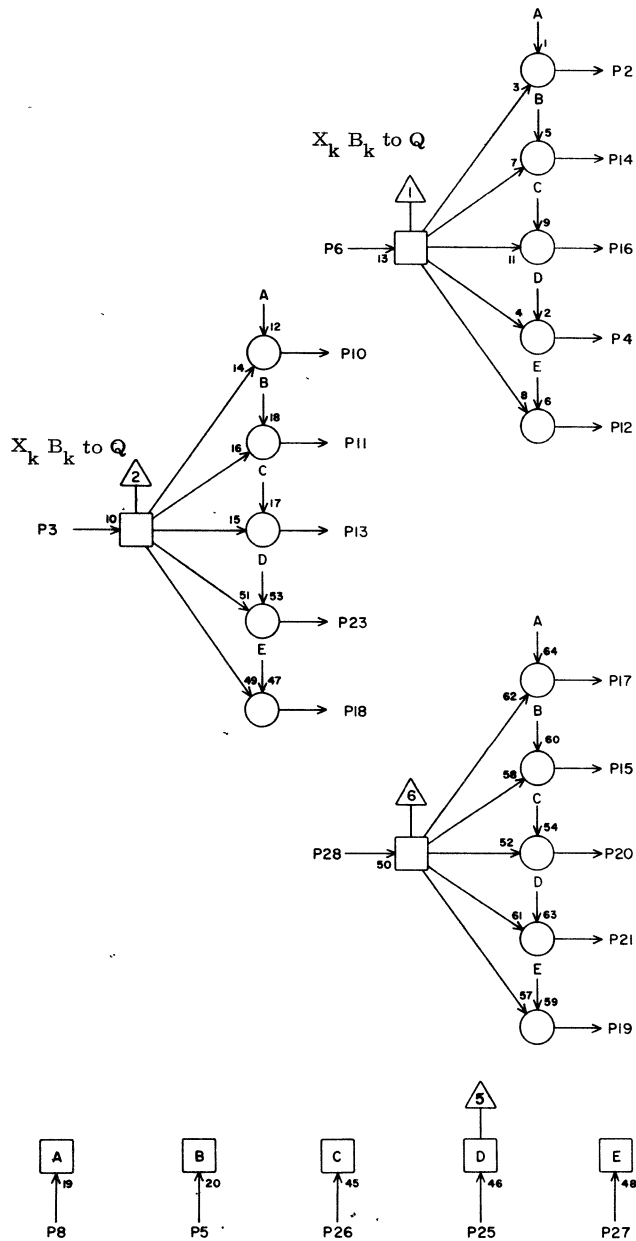
ID

5M24

1			
2	I02	9	27
3	J25	22	15
4	I10	9	23
5	E10	21	35
6	K21	22	11
7			
8	N16	21	13
9			
10	I02	13	27
11	I04	13	27
12	I12	9	23
13	I08	13	25
14	I04	9	27
15			
16	I08	9	23
17			
18	I12	13	25
19			
20			
21			
22			
23	I10	13	25
24			
25	N15	22	13
26	N15	11	13
27	N15	21	13
28			

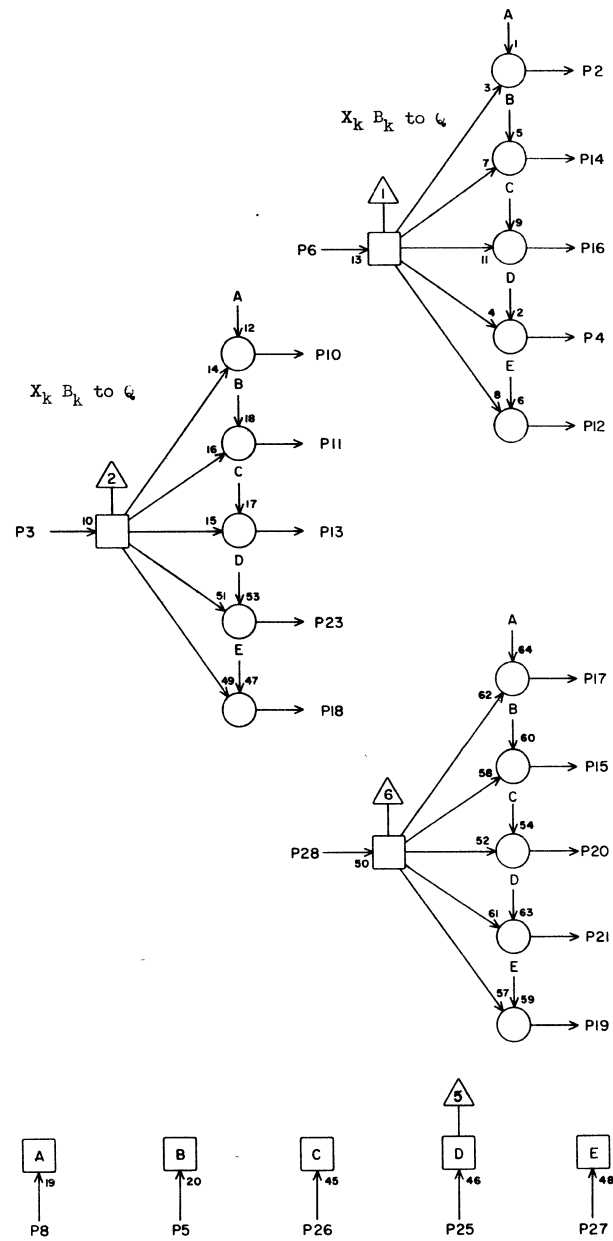
JACK PIN LG

60150800 Rev. B



ID		5M25	
1			
2	I14	9	21
3	J25	24	15
4	I06	9	25
5	N16	22	13
6	K21	24	11
7			
8	N16	12	13
9			
10	I14	13	21
11	I16	13	21
12			
13	I18	13	21
14	I16	9	21
15			
16	I18	9	21
17			
18			
19			
20			
21			
22			
23	I06	13	27
24			
25	N15	14	13
26	N16	11	13
27			
28			
	JACK	PIN	LG

60150800 Rev. B

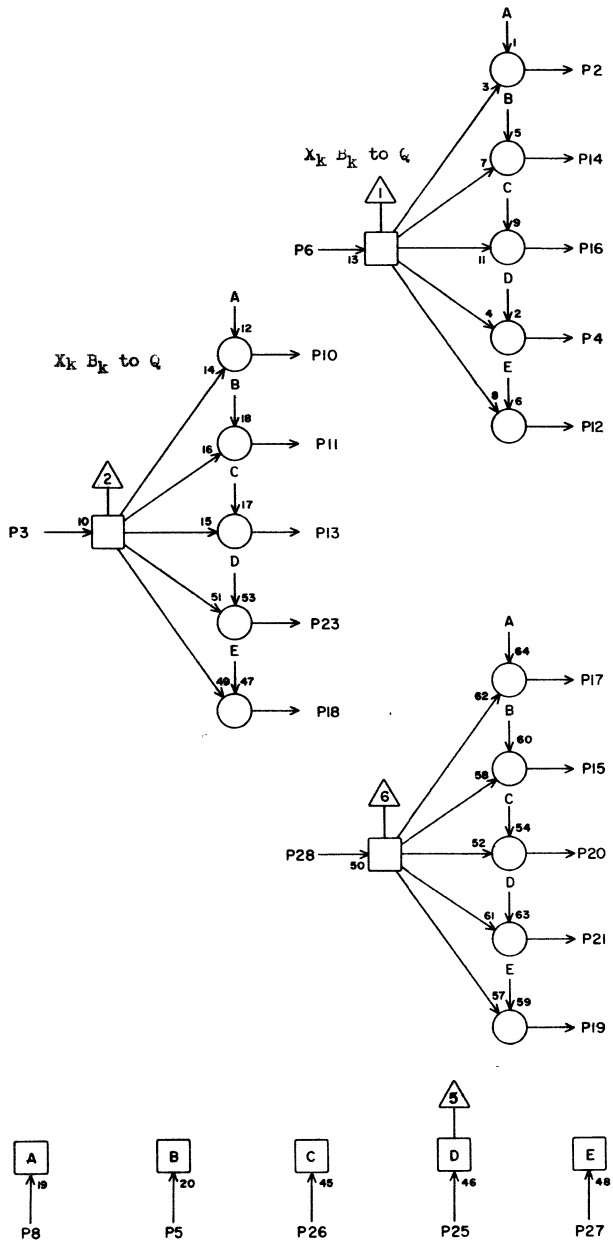


ID		5M26	
1			
2	I02	14	29
3	K22	22	11
4	I10	14	25
5	E10	23	35
6	K23	22	11
7			
8	N16	23	13
9			
10	I02	10	29
11	I04	10	29
12	I12	14	23
13	I08	10	25
14	I04	14	27
15			
16	I08	14	25
17			
18	I12	10	23
19			
20			
21			
22			
23	I10	10	25
24			
25	N15	24	15
26	N15	13	15
27	N15	23	15
28			
	JACK	PIN	LG

60150800 Rev. A

5M26

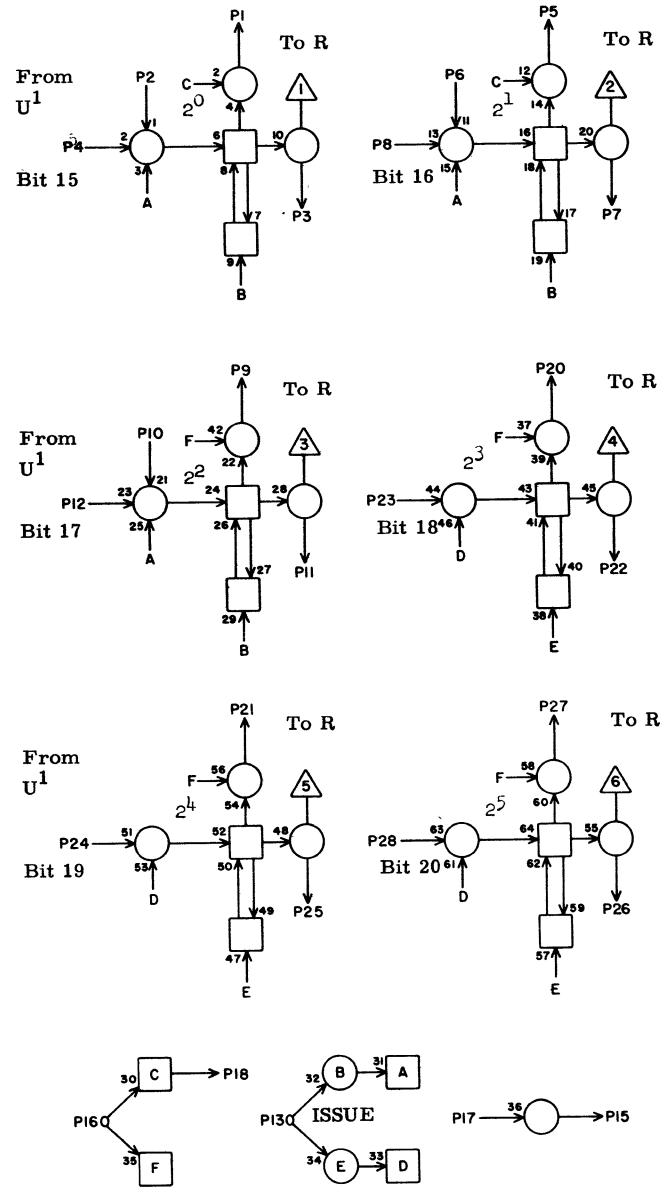
7367
0414
63



ID	JACK	PIN	LG
1			
2	I14	14	23
3	K22	24	13
4	I06	14	27
5	N16	24	15
6	K23	24	11
7			
8	N16	14	15
9			
10	I14	10	23
11	I16	10	23
12			
13	I18	10	21
14	I16	14	23
15			
16	I18	14	21
17			
18			
19			
20			
21			
22			
23	I06	10	27
24			
25	N15	8	15
26	N16	13	15
27			
28			

60150800 Rev. A

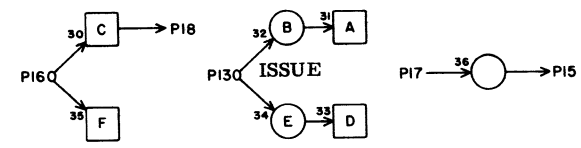
K REGISTER



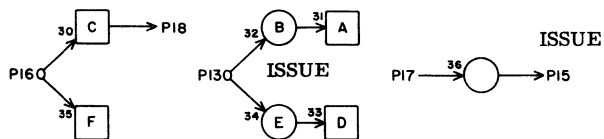
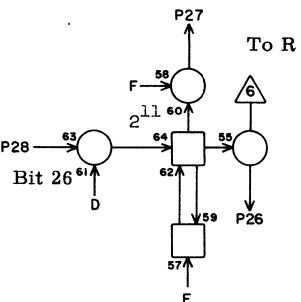
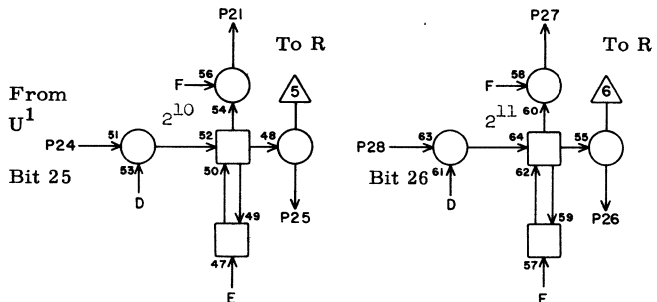
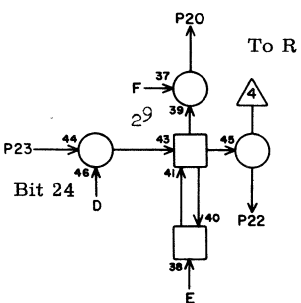
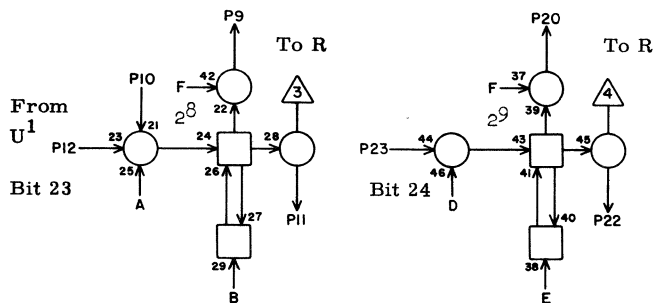
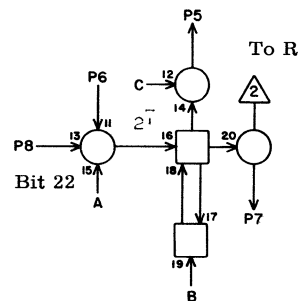
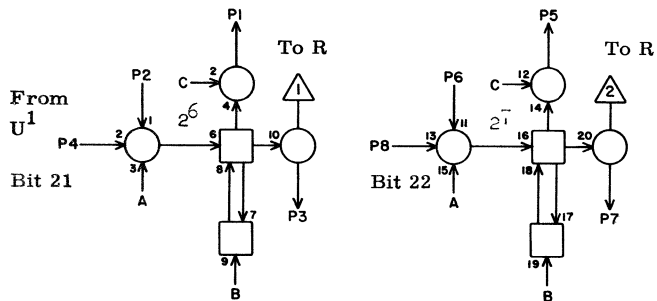
MQ

ID	JACK	PIN	LG
1	N31	24	7
2			
3			
4	D16	4	37
5	N31	8	7
6			
7			
8	D17	4	37
9	N32	24	7
10			
11			
12	D18	4	37
13	G40	10	29
14			
15	K39	28	19
16	N31	4	7
17	P13	1	21
18			
19			
20	N32	8	7
21	N33	24	7
22			
23	D19	4	37
24	D20	4	37
25			
26			
27	N33	8	7
28	D21	4	37

60150800 Rev. B



K REGISTER



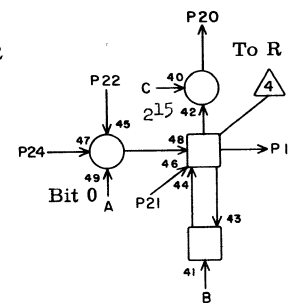
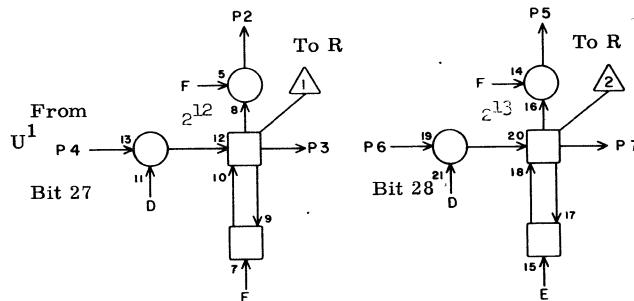
MQ 5M29

1	N34	24	11
2			
3			
4	D22	4	37
5	N34	8	11
6			
7			
8	D23	4	37
9	N35	24	11
10			
11			
12	D24	4	37
13	G40	11	29
14			
15	M30	11	5
16	N32	4	7
17	G40	13	27
18			
19			
20	N35	8	11
21	N36	24	11
22			
23	D25	4	37
24	E18	4	35
25			
26			
27	N36	8	11
28	E19	4	35

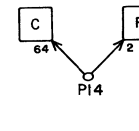
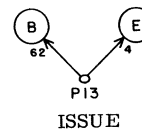
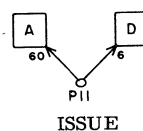
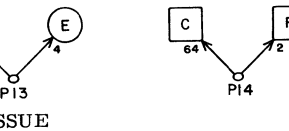
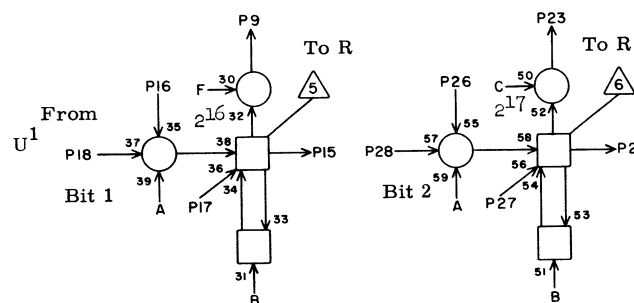
JACK PIN LG

60150800 Rev. B

K REGISTER



(U¹ Bits 0-2 = "k" portion of instruction)



ISSUE

ISSUE

5M30

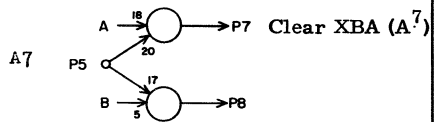
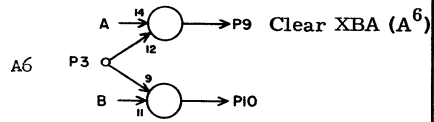
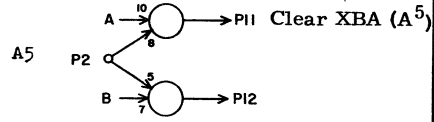
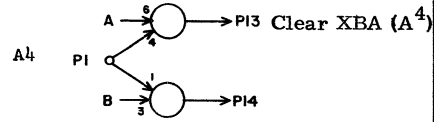
MD 5M30

1			
2	K37	24	11
3			
4	E20	4	33
5	N37	8	11
6	E21	4	33
7			
8	N38	24	13
9	N39	24	13
10			
11	M29	15	5
12	E22	4	33
13	G40	12	27
14	N33	4	7
15			
16			
17	D17	27	39
18	C36	5	45
19			
20	N38	8	13
21	D16	27	39
22			
23	N39	8	13
24	C35	5	45
25			
26			
27	D18	27	39
28	C34	5	47

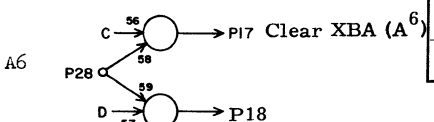
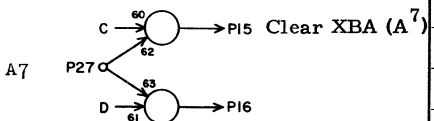
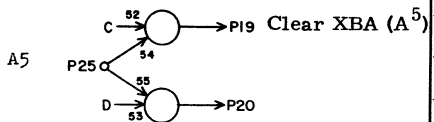
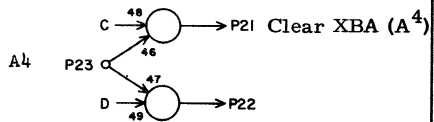
JACK PIN LG

60150800 Rev. B

INCR 1 RESULT REGISTER



INCR 2 RESULT REGISTER



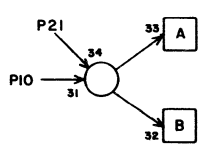
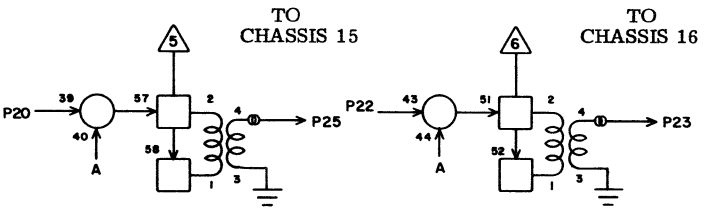
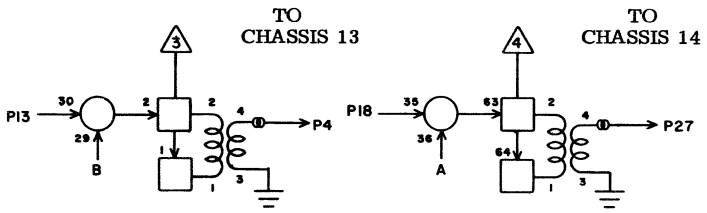
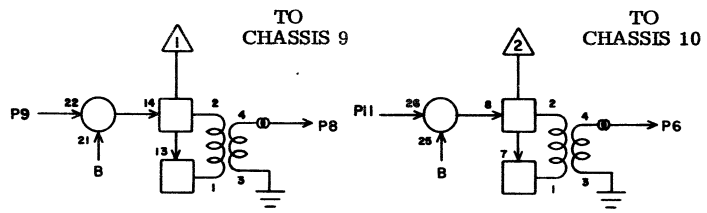
IH 5M31

1	F07	3	37
2	F07	11	37
3	F07	1	37
4	D26	5	37
5	F07	13	37
6	B26	5	47
7	019	9	17
8	N20	20	15
9	019	11	17
10	N20	8	15
11	019	16	17
12	N19	20	15
13	019	17	17
14	N19	8	15
15	J21	18	19
16	N20	14	15
17	J21	10	19
18	N20	12	15
19	J21	13	19
20	N19	14	17
21	J21	4	21
22	N19	12	17
23	F14	3	35
24	B27	5	49
25	F14	11	35
26	D27	5	37
27	F14	13	35
28	F14	1	35

JACK PIN LG

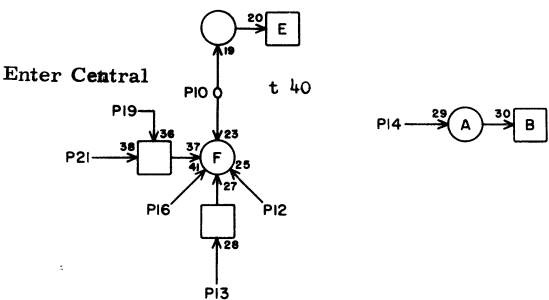
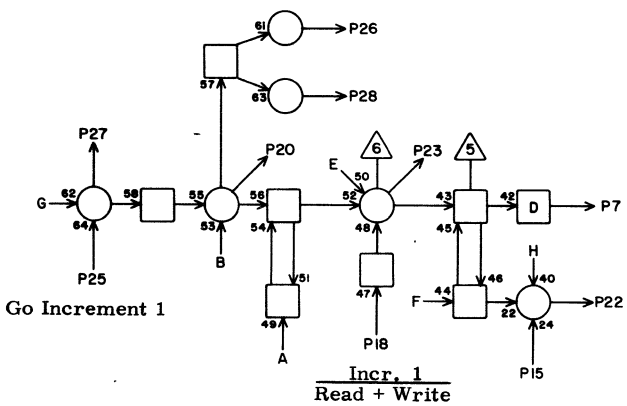
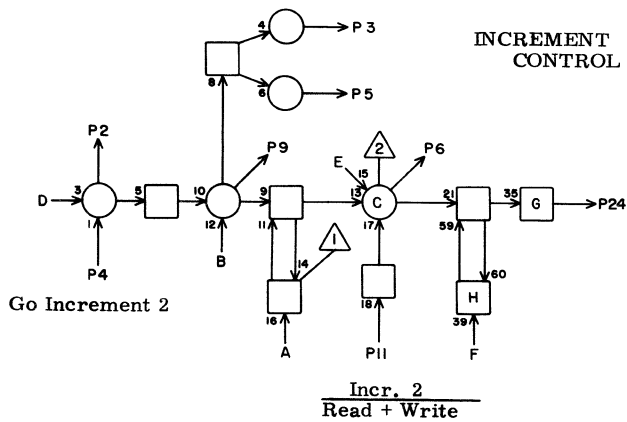
CHASSIS CLOCK TRANSFER

PL 5M32



1			
2			
3			
4	W32	900	
5			
6	W31	900	
7			
8	W30	900	
9			
10	H19	27	25
11			
12			
13			
14			
15			
16			
17			
18			
19			
20			
21			
22			
23	W35	900	
24			
25	W34	900	
26			
27	W33	900	
28			

JACK PIN LG



CG 5M33

1			
2	019	19	19
3	L05	18	108
4	M08	17	27
5	L08	18	108
6	Q30	3	120
7	G26	12	144
8			
9	M10	27	25
10	Q31	2	96
11	G27	24	27
12	P37	3	15
13	P19	7	19
14	P41	22	96
15	P11	10	132
16	P37	5	15
17			
18	G26	26	27
19	036	9	13
20	M10	4	25
21	036	11	13
22	K36	3	13
23	Q30	12	120
24	G27	4	144
25	M08	10	27
26	L01	18	108
27	019	23	19
28	L04	18	108

JACK PIN LG

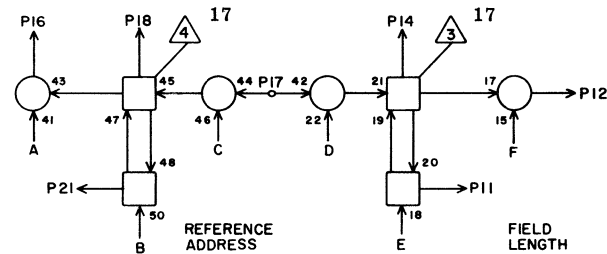
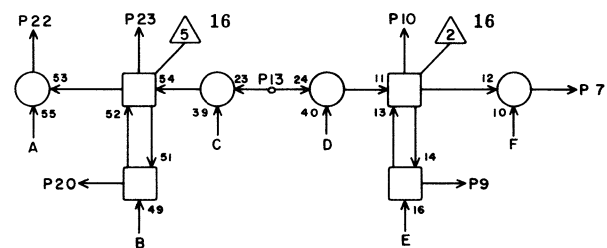
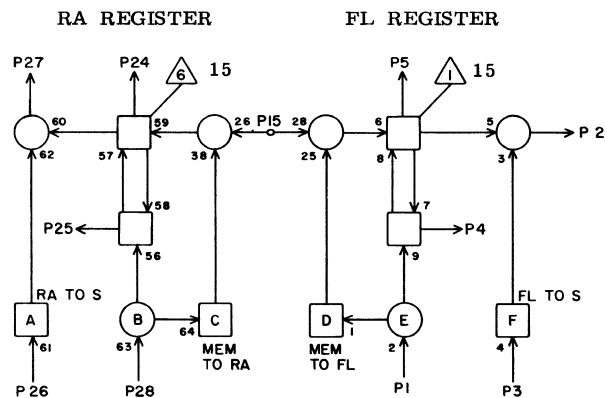
60150800 Rev.AZ

JD 5M34

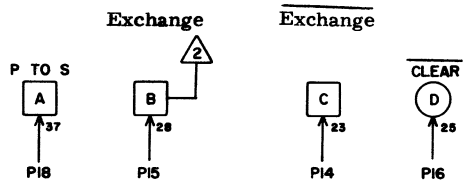
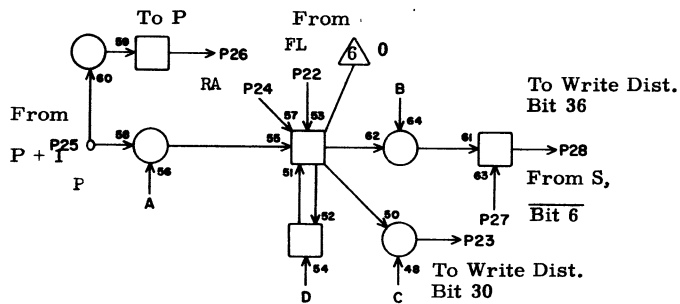
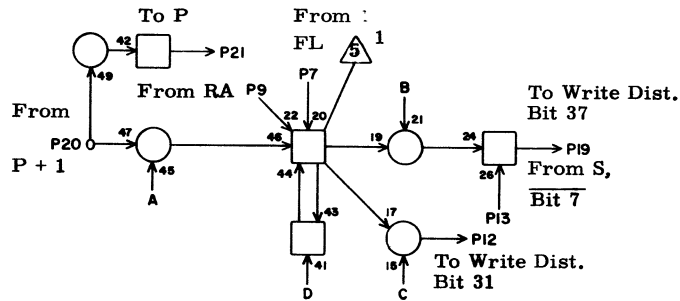
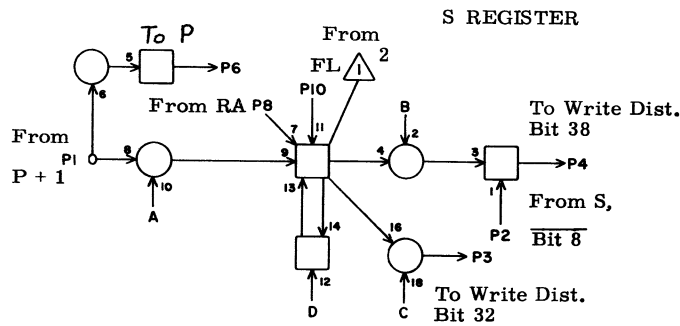
1	N24	12	15
2	M40	22	7
3	N24	26	15
4	Q03	26	35
5	Q03	25	35
6			
7	M40	7	7
8			
9	Q03	14	35
10	Q03	19	35
11	Q03	21	35
12	M40	8	9
13	N39	23	13
14	Q03	22	35
15	N38	5	11
16	M40	10	9
17	N39	5	11
18	006	5	29
19			
20	R06	19	35
21	R06	7	35
22	M40	9	9
23	006	13	29
24	006	24	29
25	R06	11	35
26	N25	12	13
27	M40	24	9
28	N25	26	13

JACK PIN LG

60150800 Rev. B

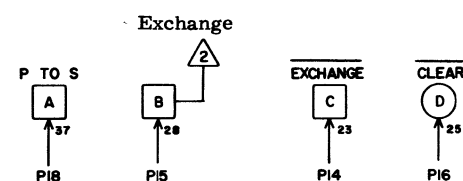
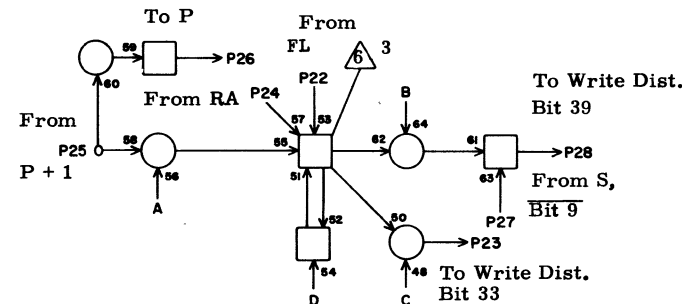
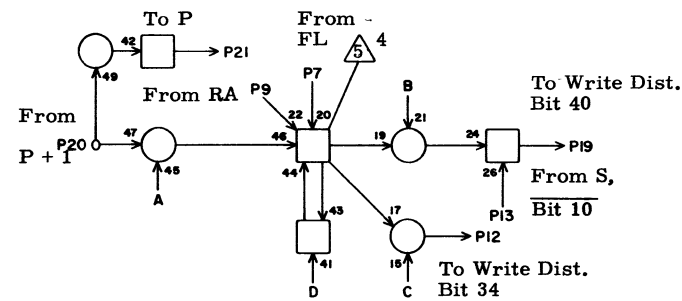
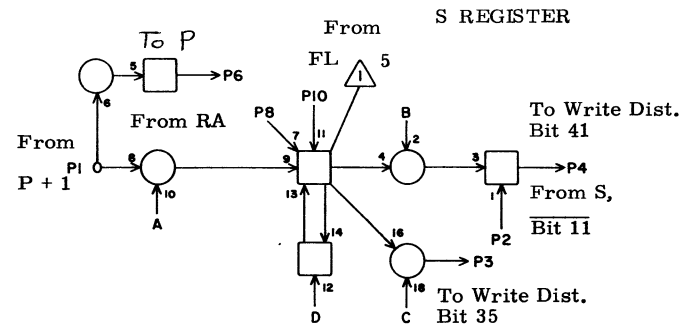


5M34



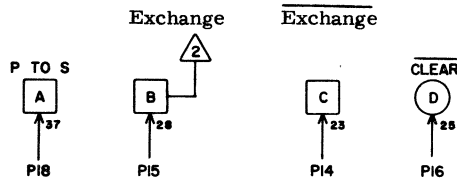
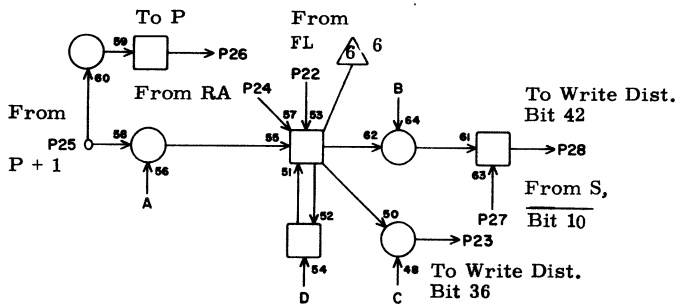
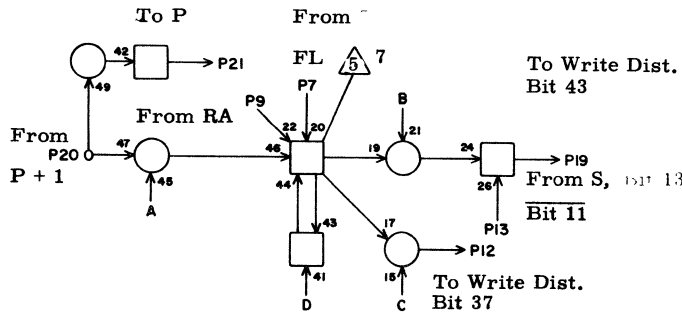
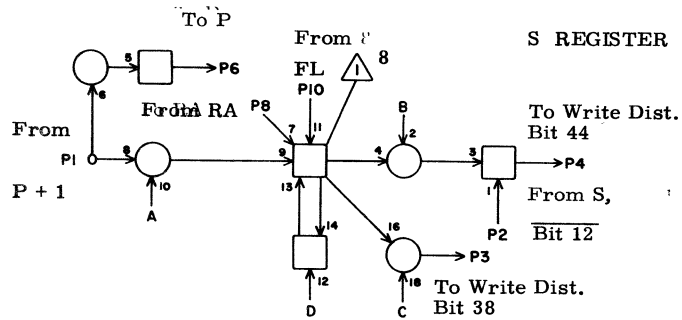
JE 5M35			
JACK	PIN	LG	
1	001	1	35
2	M37	3	7
3	M11	8	25
4	I38	24	19
5			
6	N32	21	7
7	L36	7	7
8	L36	12	7
9	L36	22	7
10	L36	16	7
11			
12	M11	27	25
13	M37	12	7
14	N26	2	13
15	N26	16	13
16	N27	2	13
17			
18	N27	16	13
19	I38	22	19
20	001	11	35
21	N31	7	7
22	L36	2	7
23	M11	23	25
24	L36	27	7
25	001	28	35
26	N31	21	7
27	M37	23	2
28	I38	20	19

60150800 Rev. B

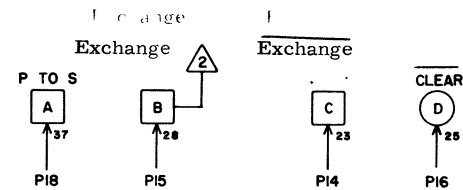
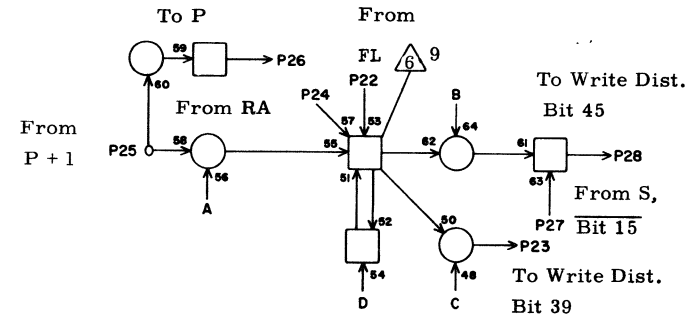
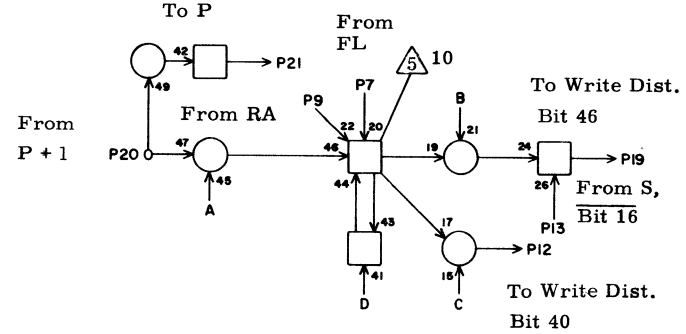
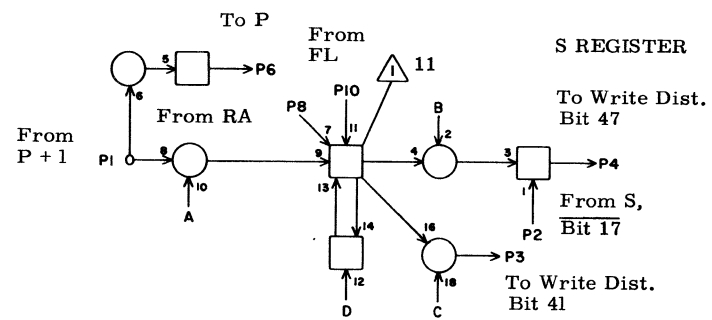


JE 5M36			
JACK	PIN	LG	
1	002	1	33
2	M38	3	7
3	M11	28	25
4	I39	7	19
5			
6	N33	7	7
7	L37	7	7
8	L37	12	7
9	L37	22	7
10	L37	16	7
11			
12	M11	26	25
13	M38	12	7
14	N26	4	13
15	N26	18	13
16	N27	4	13
17			
18	N27	18	13
19	I39	5	19
20	002	11	33
21	N33	21	13
22	L37	2	7
23	M11	24	25
24	L37	27	7
25	002	28	33
26	N32	7	7
27	M38	23	7
28	I38	26	19

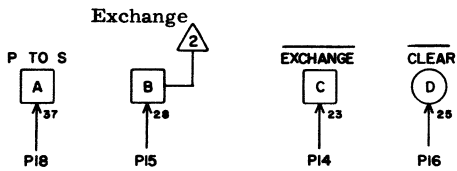
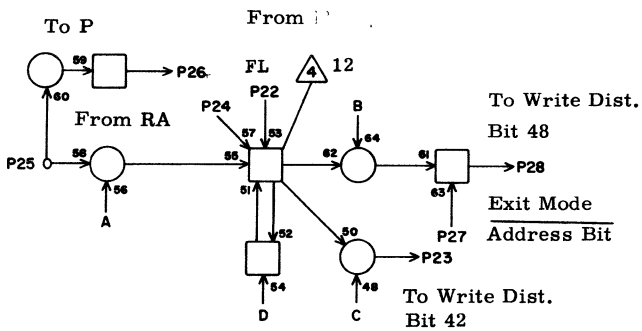
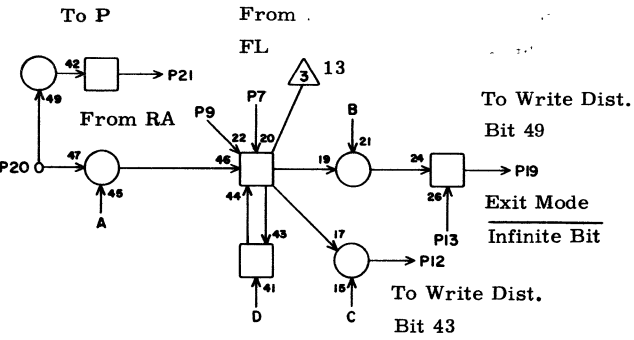
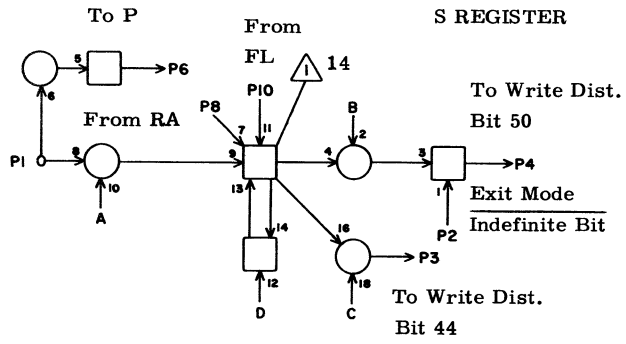
60150800 Rev. B



JE		5M37	
1	003	1	33
2	M39	3	7
3	M35	2	7
4	I39	13	19
5			
6	N35	21	7
7	L38	7	7
8	L38	12	7
9	L38	22	7
10	L38	16	7
11			
12	M35	13	7
13	M39	12	7
14	N26	6	13
15	N26	20	13
16	N27	6	13
17			
18	N27	20	13
19	I39	11	19
20	003	11	33
21	N34	7	7
22	L38	2	7
23	M35	27	7
24	L38	27	7
25	003	28	33
26	N34	21	7
27	M39	23	7
28	I39	9	19
	JACK	PIN	LG

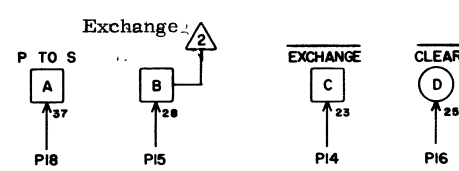
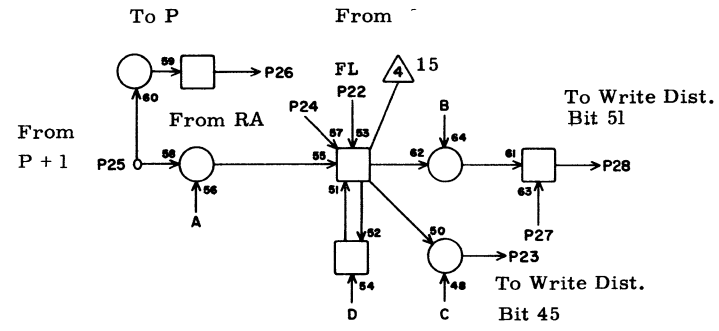
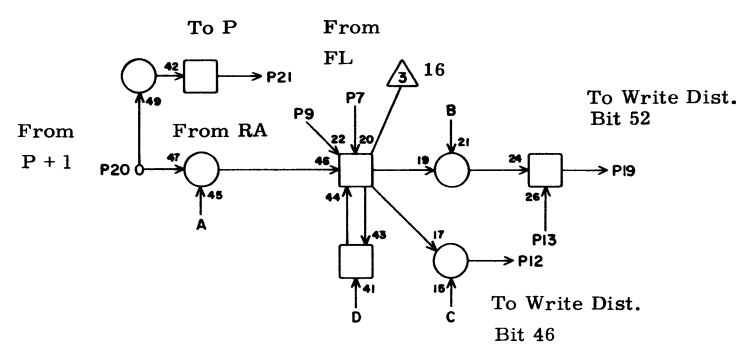
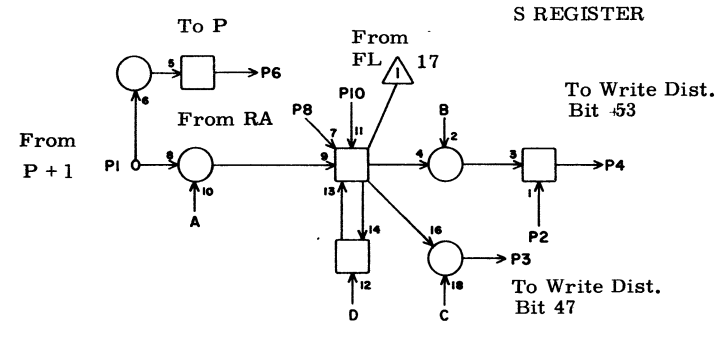


JE		5M38	
1	004	1	33
2	M40	3	7
3	M36	2	7
4	I39	22	19
5			
6	N36	7	7
7	L39	7	7
8	L39	12	7
9	L39	22	7
10	L39	16	7
11			
12	M36	13	7
13	M40	12	7
14	N26	8	15
15	N26	22	15
16	N27	8	15
17			
18	N27	22	15
19	I39	20	19
20	004	11	33
21	N36	21	7
22	L39	2	7
23	M36	27	7
24	L39	27	7
25	004	28	33
26	N35	7	7
27	M40	23	7
28	I39	18	19
	JACK	PIN	LG



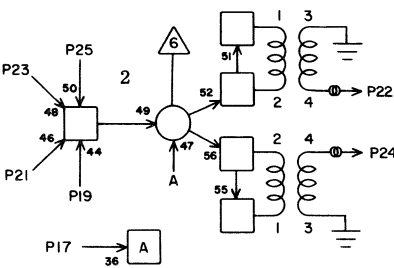
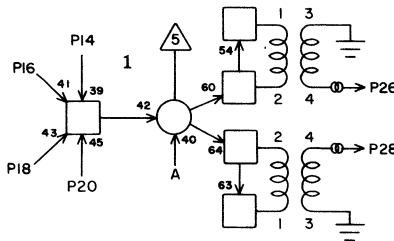
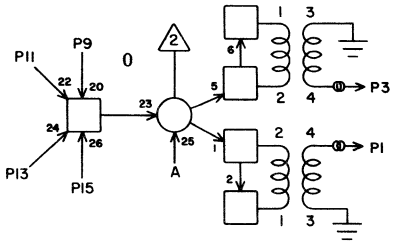
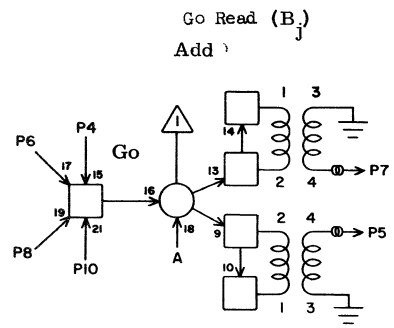
		5M39	
JE		PIN	LG
1	005	1	33
2	H07	1	39
3	M37	2	7
4	I40	13	19
5			
6	N38	21	7
7	L40	7	7
8	L40	12	7
9	L40	22	7
10	L40	16	7
11			
12	M37	13	7
13	H06	1	39
14	N26	10	15
15	N26	24	15
16	N27	10	15
17			
18	N27	24	15
19	I39	26	19
20	005	11	33
21	N37	7	5
22	L40	2	7
23	M37	27	7
24	L40	27	7
25	005	28	37
26	N37	21	7
27	H05	1	37
28	I39	24	19
		JACK	PIN LG

60150800 Rev. B



		5M40	
JE		PIN	LG
1	006	1	33
2			
3	M38	2	7
4	I40	24	17
5			
6	N39	7	7
7	M34	7	7
8	M34	12	9
9	M34	22	9
10	M34	16	9
11			
12	M38	13	7
13			
14	N26	12	15
15	N26	26	15
16	N27	12	15
17			
18	N27	26	15
19	I40	11	19
20	006	11	33
21	N39	21	7
22	M34	2	7
23	M38	27	7
24	M34	27	9
25	006	28	33
26	N38	7	7
27			
28	I40	7	19
		JACK	PIN LG

60150800 Rev. R

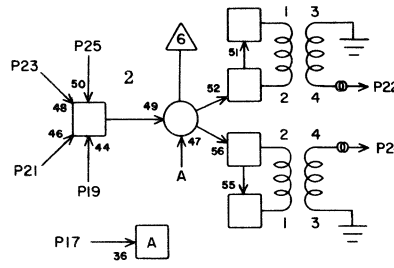
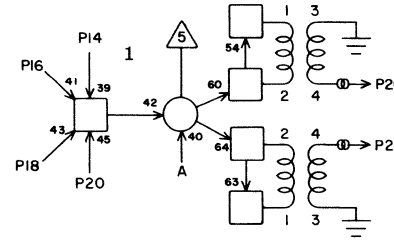
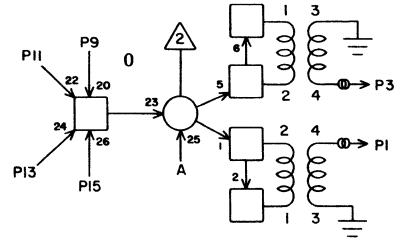
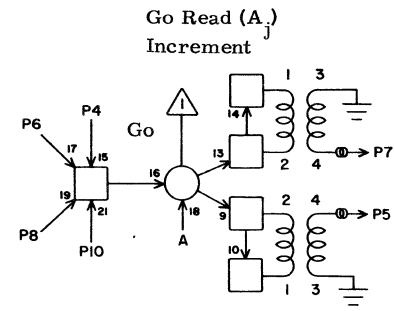


IZ 5M41

1	W19	94	
2			
3			
4			
5	W19	93	
6	H37	5	23
7			
8			
9			
10			
11	F15	5	37
12			
13			
14			
15			
16			
17	P42	28	17
18			
19			
20	F15	19	37
21	F15	26	39
22	W19	96	
23			
24			
25			
26	W19	95	
27			
28			

JACK PIN LG

60150800 Rev. B



IZ 5M42

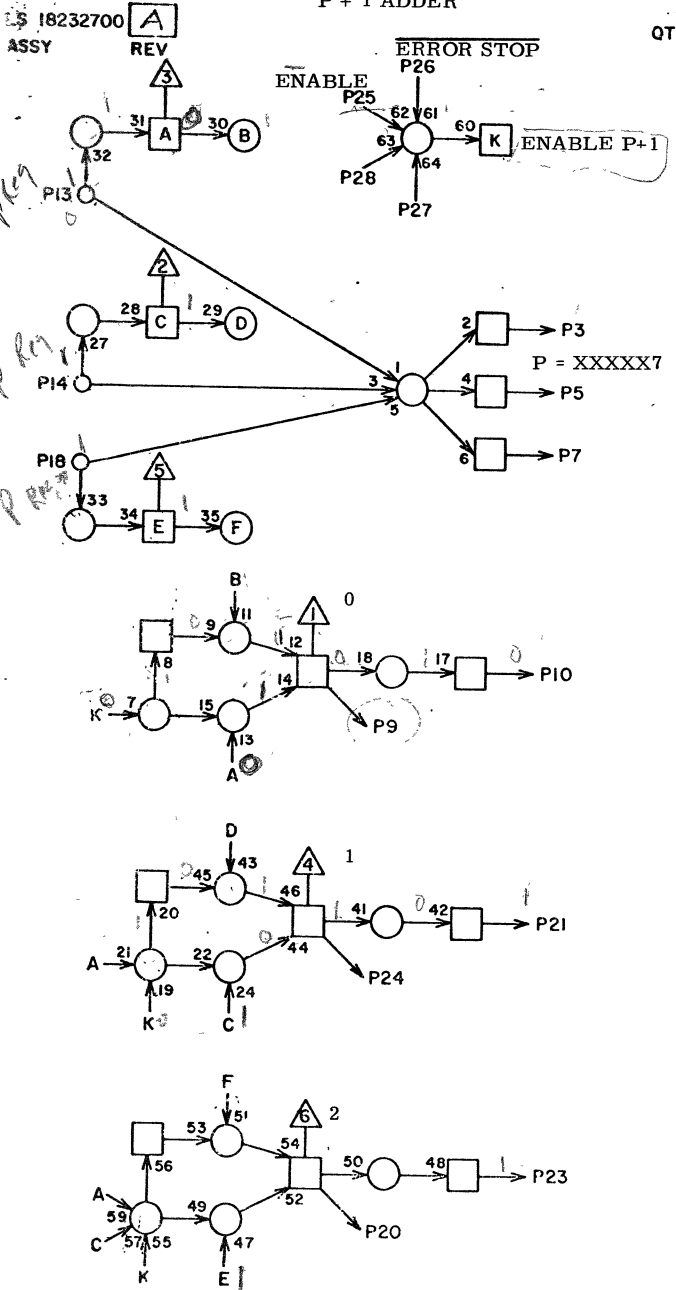
1	W20	90	
2			
3			
4	MO8	3	33
5	W20	96	
6	MO8	28	33
7			
8			
9	F03	5	47
10			
11	F10	5	43
12			
13			
14	F03	19	51
15			
16	F10	19	43
17	K36	12	13
18			
19	F03	26	47
20			
21	F10	26	43
22	W20	92	
23			
24			
25			
26	W20	91	
27			
28			

JACK PIN LG

5M42

60150800 Rev. B

P + 1 ADDER



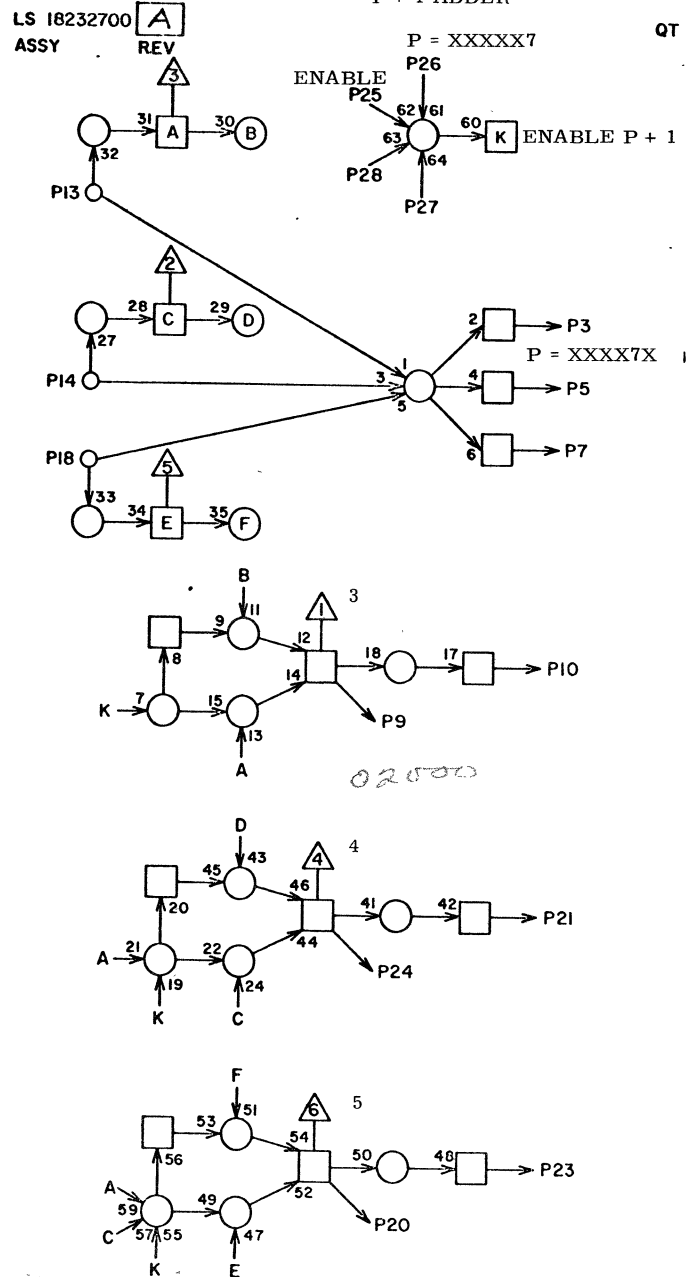
QT

5N01

	JACK	PIN	LG
1			
2			
3	N02	26	5
4			
5	N03	26	5
6			
7	N22	1	23
8			
9	001	27	7
10			
11			
12			
13	N31	17	31
14	N31	9	31
15			
16			
17			
18	N32	17	31
19			
20	001	2	7
21			
22			
23			
24	001	8	7
25	R36	2	37
26	Q33	9	33
27	GRD	X	2
28	GRD	X	2

60150800 Rev AM

P + 1 ADDER

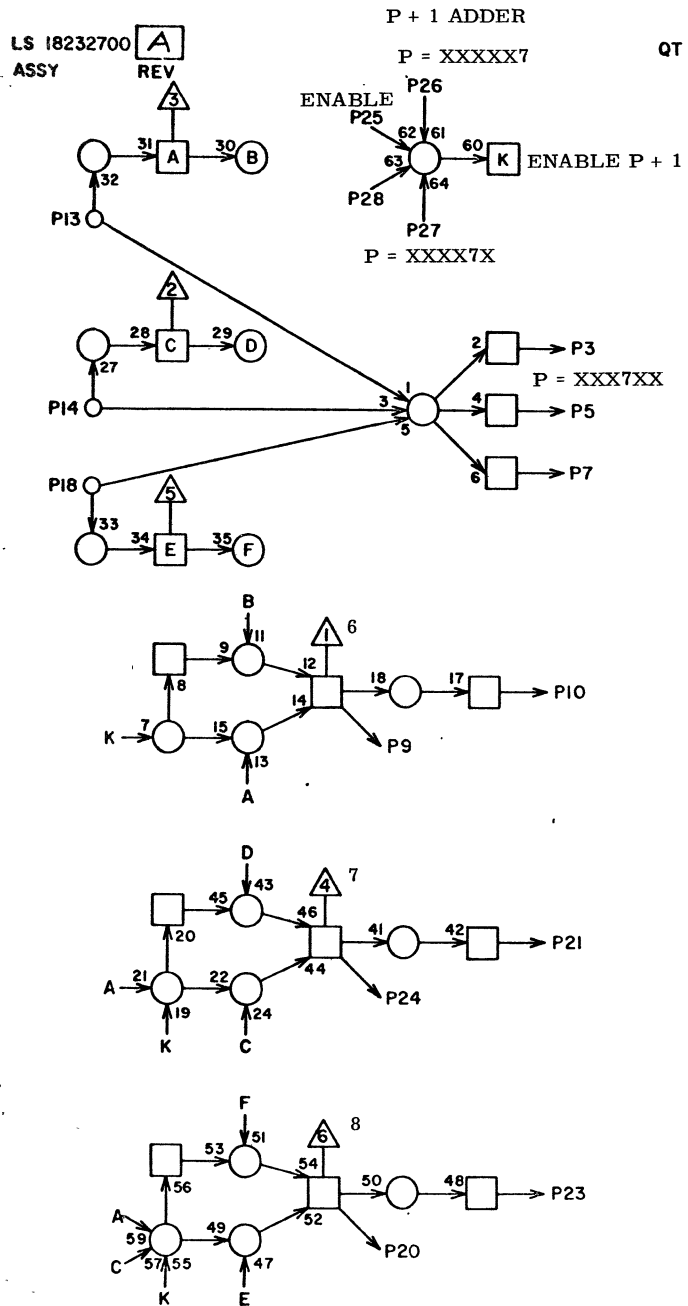


QT

5N02

	JACK	PIN	LG
1			
2			
3	N03	27	5
4			
5			
6			
7	N22	3	31
8			
9	002	27	7
10			
11			
12			
13	N32	9	31
14	N33	17	31
15			
16			
17			
18	N33	9	31
19			
20	002	2	7
21			
22			
23			
24	002	8	7
25	R36	4	37
26	N01	3	5
27			
28			

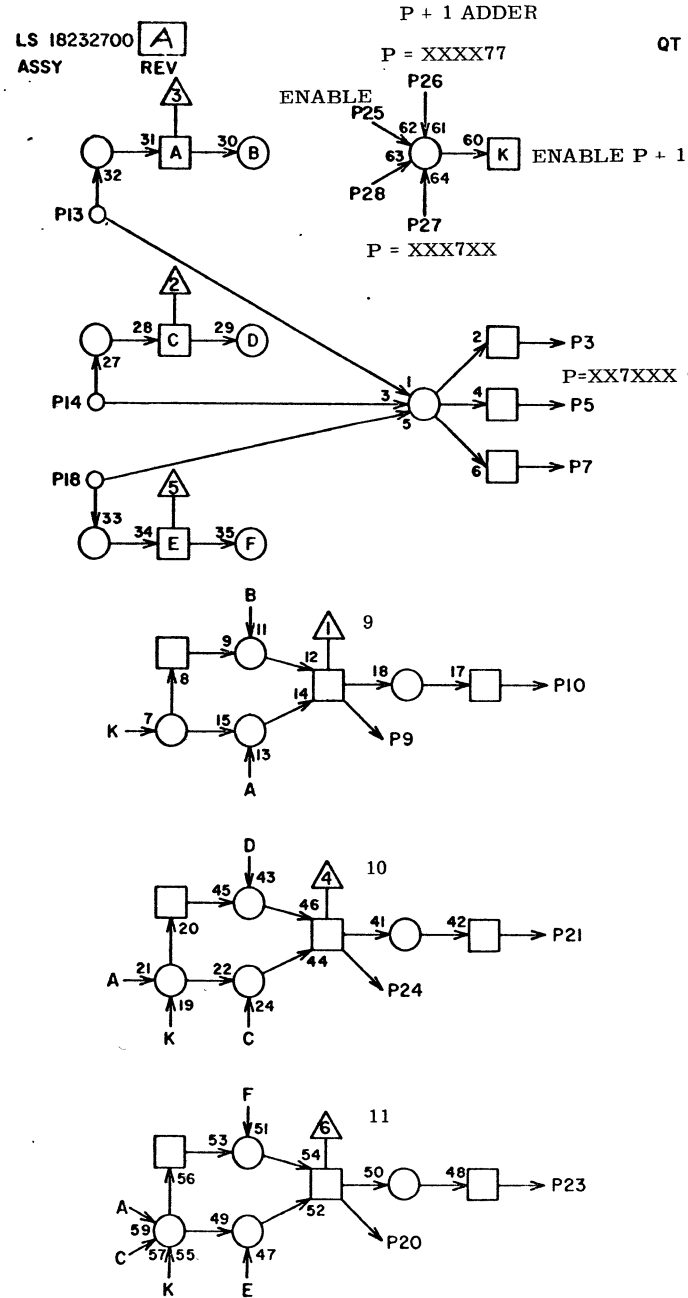
JACK PIN LG
SEE CIRCUIT SPECIFICATION
11827600
60150800 Rev AM



5N03

1			
2			
3	N04	27	5
4			
5			
6			
7	N22	2	21
8			
9	003	27	7
10			
11			
12			
13	N34	17	31
14	N34	9	31
15			
16			
17			
18	N35	17	31
19			
20	003	2	7
21			
22			
23			
24	003	8	7
25	R36	6	35
26	N01	5	5
27	N02	3	5
28			

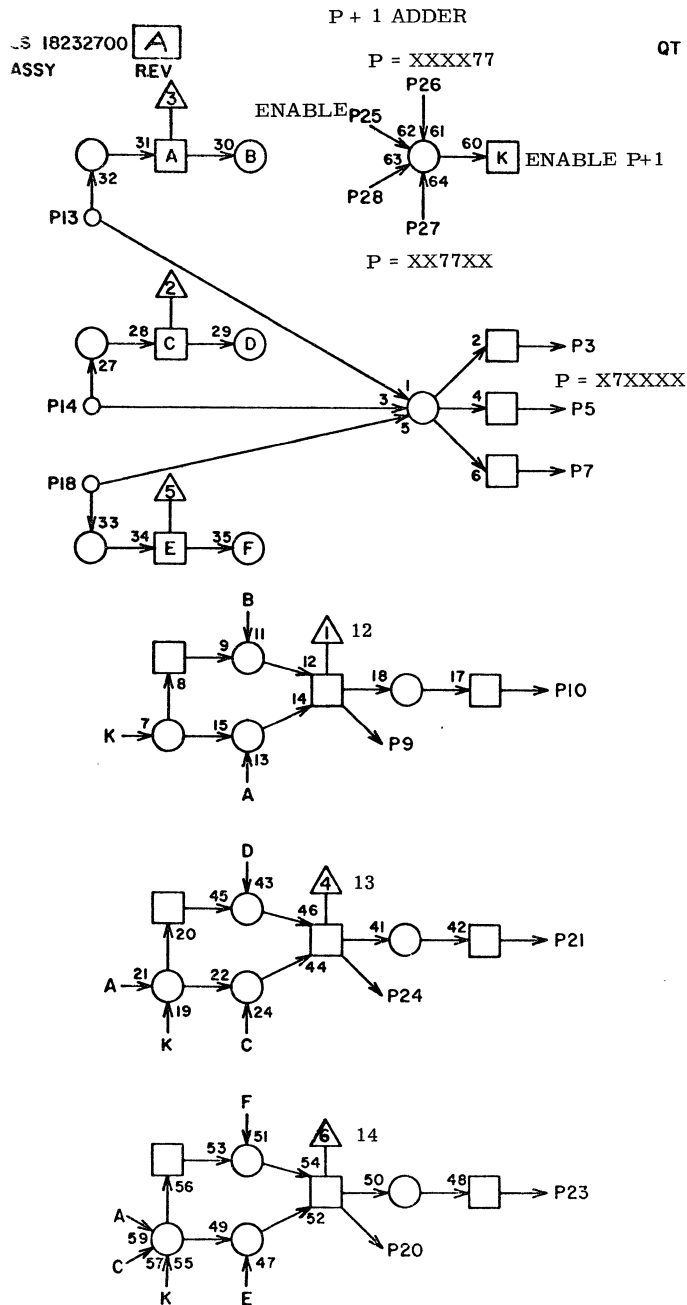
JACK PIN LG
SEE CIRCUIT SPECIFICATION
11827600
60150800 Rev AM



5N04

1			
2			
3			
4			
5			
6			
7	N22	4	21
8			
9	004	27	7
10			
11			
12			
13	N35	9	31
14	N36	17	31
15			
16			
17			
18	N36	9	31
19			
20	004	2	7
21			
22			
23			
24	004	8	7
25	R36	9	35
26	N22	6	21
27	N03	3	5
28			

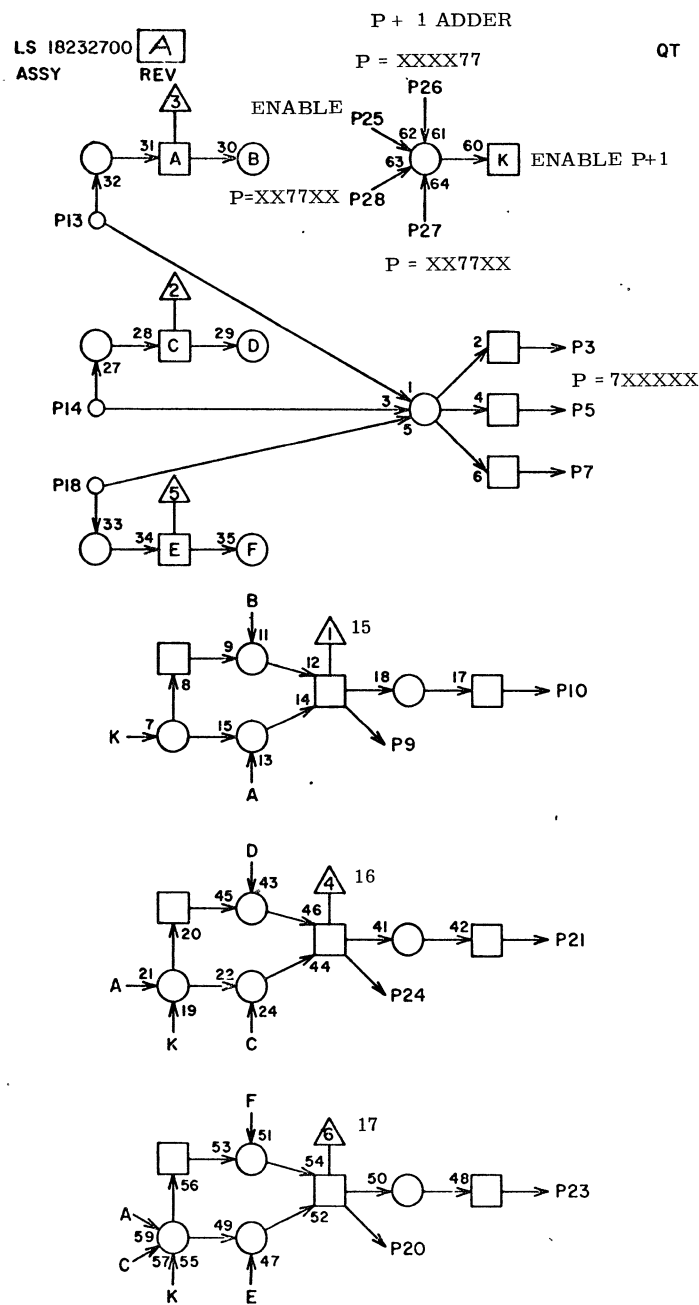
JACK PIN LG
SEE CIRCUIT SPECIFICATION
11827600
60150800 Rev AM



QT

5N05			
JACK	PIN	LG	
1			
2			
3	N06	28	5
4			
5			
6			
7			
8			
9	005	27	7
10			
11			
12			
13	N37	17	31
14	N37	9	31
15			
16			
17			
18	N38	17	31
19			
20	005	2	7
21			
22			
23			
24	005	8	7
25	R36	11	33
26	N22	8	19
27	N22	5	19
28			

JACK PIN LG
SEE CIRCUIT SPECIFICATION
11827600
60150800 Rev AM



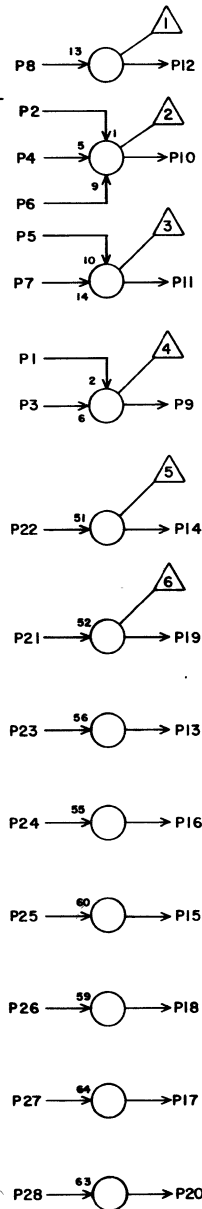
QT

5N06			
JACK	PIN	LG	
1			
2			
3			
4			
5			
6			
7			
8			
9	006	27	7
10			
11			
12			
13	N38	9	31
14	N39	17	31
15			
16			
17			
18	N39	9	31
19			
20	006	2	7
21			
22			
23			
24	006	8	7
25	R36	13	33
26	N22	10	17
27	N22	7	17
28	N05	3	5

JACK PIN LG
SEE CIRCUIT SPECIFICATION
11827600
60150800 Rev AM

SCBD. ISSUE

PC=0



TL

5N07

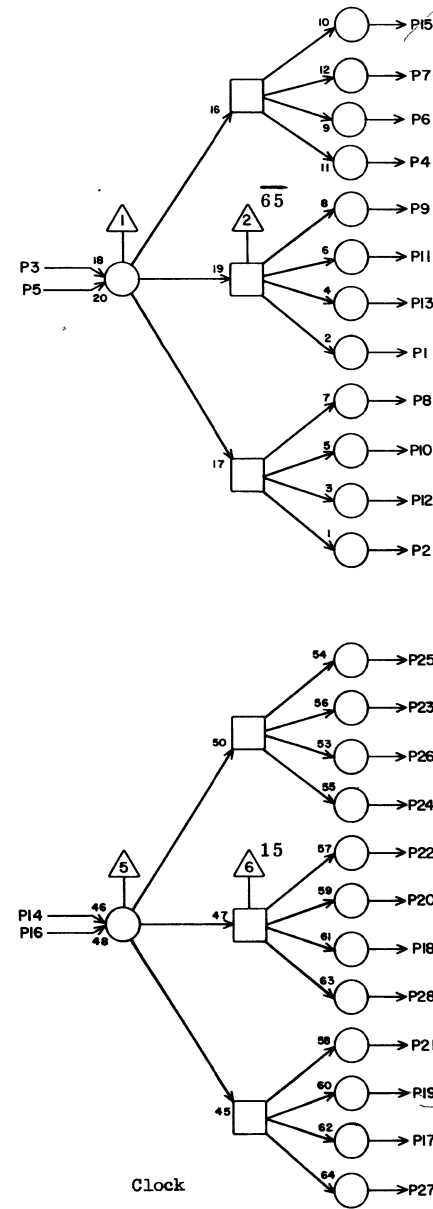
1	Q25	20	23
2	A22	6	49
3	G40	16	43
4	N07	12	3
5	N07	10	3
6			
7	N07	15	3
8	K36	19	37
9	N07	27	..5
10	N07	5	3
11	F37	11	41
12	N07	4	3
13	N23	25	19
14	Q13	28	19
15	N07	7	3
16	R18	27	21
17	Q14	17	19
18	R27	8	27
19	P19	17	19
20	N10	9	7
21	N08	19	5
22	E29	20	43
23	F39	2	47
24	P19	19	15
25			
26	P19	22	23
27	N07	9	5
28	H02	19	27

JACK PIN LG
CIRCUIT SPECIFICATION 11827600

C

60150800 Rev. AR

CLOCK



Clock

TC

5N08

1	R35	7	31
2	R35	25	31
3	H17	15	120
4	R36	25	31
5			
6	H08	4	27
7	P36	9	26
8	G26	16	33
9	R33	20	29
10	G27	23	37
11	G26	2	33
12			
13	G27	12	33
14	I22	7	27
15			
16			
17			
18			
19	N07	21	5
20	P13	20	15
21			
22	F17	14	35
23	Q31	3	27
24	F17	3	37
25	Q31	14	27
26			
27	N21	3	120
28	Q32	14	96

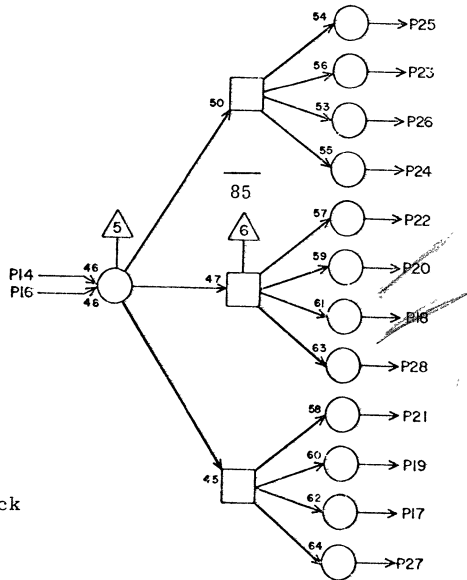
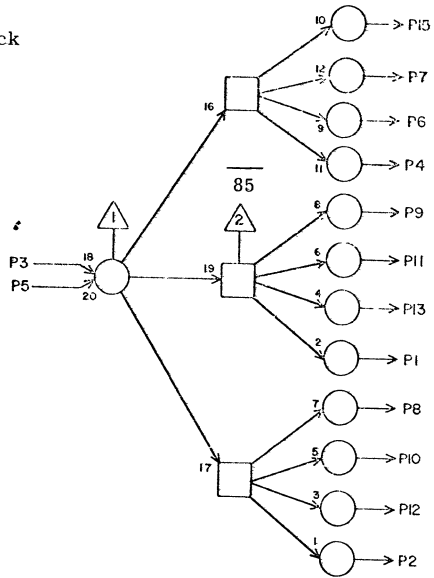
JACK PIN LG

60150800 Rev. AZ

LS 63063500
ASSY

REV

Clock



TC

5N09

1	O36	16	27
2			
3	H18	6	27
4	G41	14	156
5			
6	G42	14	156
7	O35	14	156
8	R33	7	29
9	H02	20	84
10	P37	9	120
11	H36	28	39
12	P37	12	29
13	N10	27	5
14	H18	9	27
15	K39	8	33
16			
17	K39	21	33
18	L05	20	13
19	L03	20	13
20	L01	20	13
21	L04	20	13
22	L06	20	13
23			
24	L02	20	13
25			
26	L13	11	13
27	L24	1	21
28	L25	1	19

JACK PIN LG
CIRCUIT SPECIFICATION 11827600

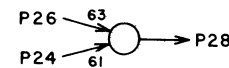
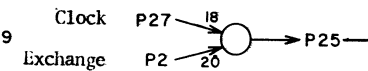
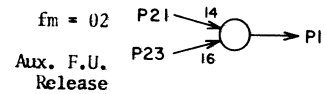
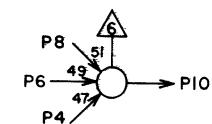
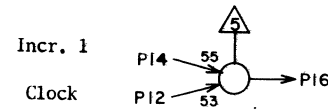
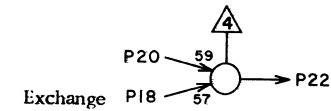
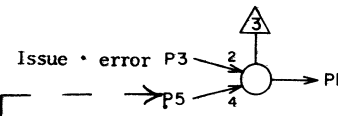
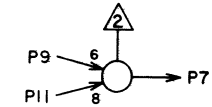
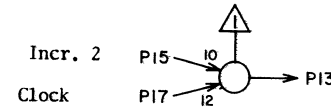
60150800 Rev AZ

LS 18060300
ASSY

REV. A

TR

5N10

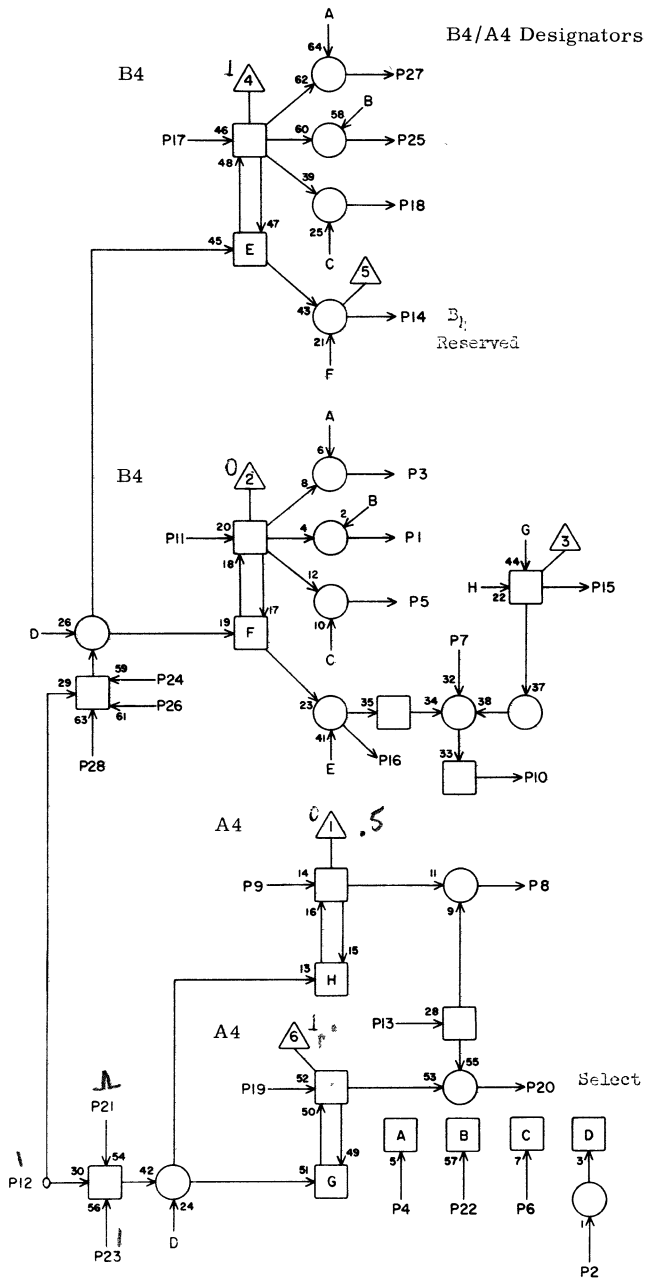


1	N27	5	19
2	N26	13	19
3	K36	9	29
4	H24	16	35
5	N10	25	5
6			
7	P19	26	19
8			
9	N07	20	7
10	H24	27	33
11	P12	8	11
12	M09	9	7
13	Q21	10	19
14	P21	22	15
15	P18	8	15
16	Q21	12	19
17	M09	11	7
18	A22	25	53
19	L18	15	13
20	O37	17	27
21	R38	11	29
22	F25	20	37
23	H25	20	31
24	G40	21	49
25	N10	5	5
26	E10	24	35
27	N09	13	5
28	R39	25	33

JACK PIN LG

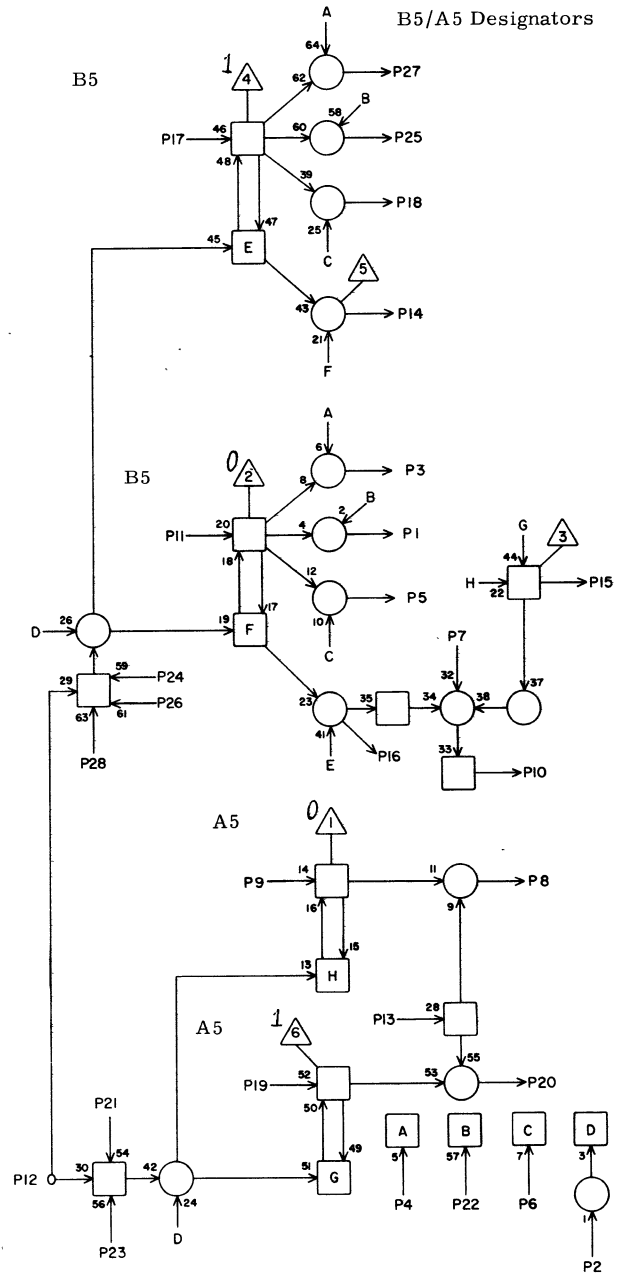
CIRCUIT SPECIFICATION 11827600

60150800 Rev. BD



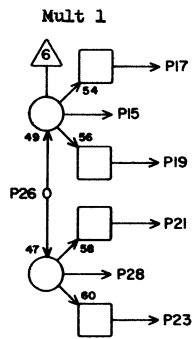
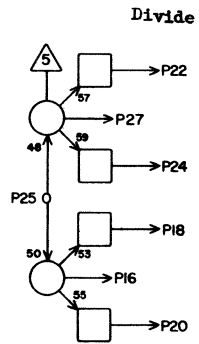
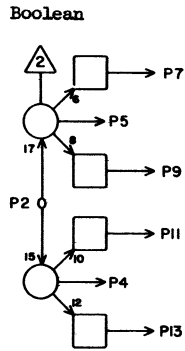
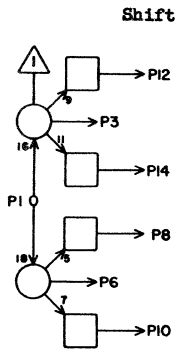
II			
5H11			
JACK	PIN	LG	
1	L11	17	15
2	N11	X	2
3			
4			
5	K15	17	15
6	F26	2	37
7			
8	I02	18	23
9	J37	9	31
10	I04	2	27
11	H35	8	35
12	H17	22	27
13	F24	4	37
14	E27	6	41
15	E27	9	41
16	E31	26	41
17	H35	6	33
18	K13	17	15
19	J37	11	31
20	I04	18	23
21	O19	15	13
22	F24	2	37
23	J21	6	23
24	I28	3	29
25	K09	17	15
26	I32	9	31
27			
28	L29	14	21

60150800 Rev. K



II			
5H12			
JACK	PIN	LG	
1	K11	19	15
2	GRD	X	2
3			
4			
5	K15	19	15
6	F26	1	37
7			
8	I02	20	23
9	J37	13	31
10	H04	3	27
11	H35	7	33
12	H17	20	27
13	F24	3	35
14	F27	23	41
15	F27	17	39
16	E31	25	41
17	H35	5	33
18	K13	19	15
19	J37	16	31
20	I04	20	23
21	O19	14	11
22	F24	1	37
23	J21	11	23
24	I28	3	29
25	K09	19	15
26	I32	3	31
27			
28	I29	4	19

60150800 Rev. B

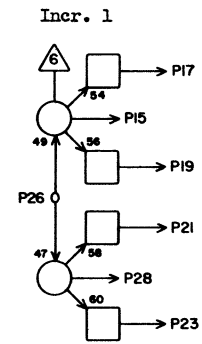
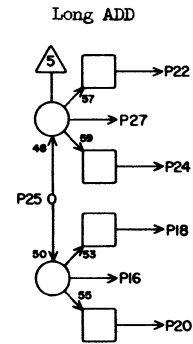
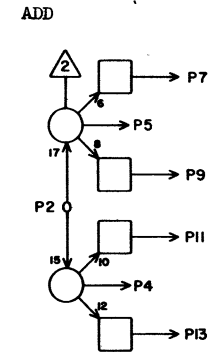
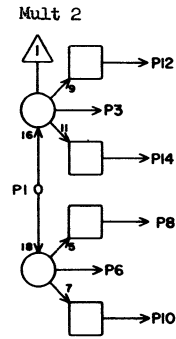


CX 5N15

1	L01	13	17
2	L02	13	17
3	I05	16	25
4	I07	16	23
5	I08	16	23
6	I06	16	25
7	M20	26	11
8	M27	25	15
9	M22	26	13
10	M20	25	11
11	M24	26	13
12	M22	25	11
13	M26	26	15
14	M25	25	13
15	I11	16	23
16	I09	16	23
17	M20	27	11
18	M21	20	11
19	M22	27	13
20	M23	20	11
21	M24	27	13
22	M24	25	13
23	M26	27	15
24	M26	25	15
25	L03	13	17
26	L05	13	17
27	I10	16	25
28	I12	16	23

JACK PIN LG

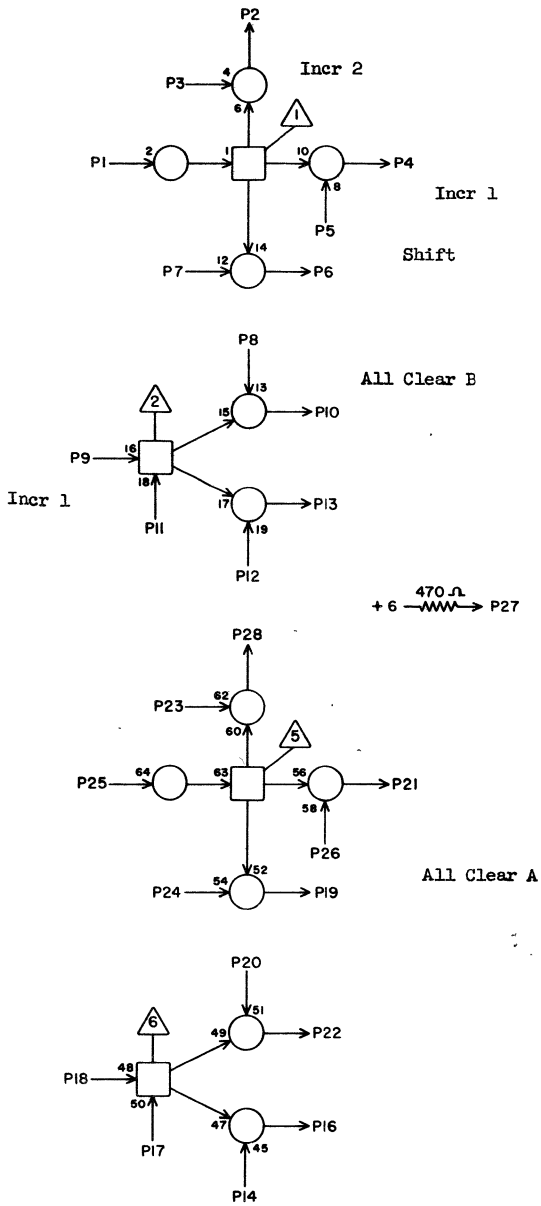
SET 6



CX 5N16

1	I13	13	13
2	L06	13	13
3	I13	16	23
4	I17	16	23
5	I18	16	23
6	I14	16	23
7	M21	26	7
8	M21	8	7
9	M23	26	11
10	M23	8	11
11	M25	26	13
12	M25	8	13
13	M27	26	15
14	M27	8	15
15	I01	16	27
16	I15	16	23
17	M20	8	7
18	M21	5	11
19	M22	8	11
20	M23	5	11
21	M24	8	13
22	M25	5	13
23	M26	8	13
24	M27	5	15
25	L04	13	17
26	G26	1	33
27	I16	16	23
28	I02	16	27

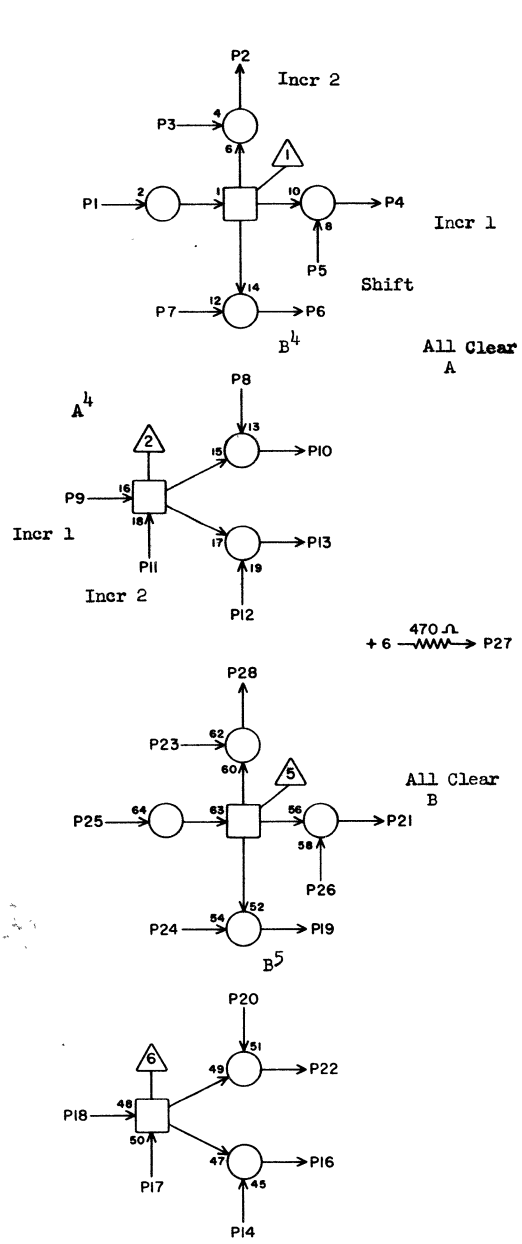
JACK PIN LG



HW 5N17

1	C01	5	43
2	K25	25	17
3	I31	6	25
4	M07	8	13
5	I27	6	25
6	I15	18	21
7	L29	19	17
8	I29	10	25
9	L03	1	17
10	M07	25	13
11	L07	1	17
12	I33	10	27
13	I23	27	13
14	I33	7	29
15			
16	L23	28	13
17	L03	7	17
18	L07	7	17
19	I15	20	23
20	I29	7	25
21	M07	10	13
22	M07	27	13
23	I31	4	27
24	L29	21	17
25	I35	11	29
26	I27	4	25
27			
28	K25	26	17

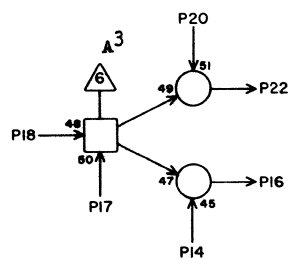
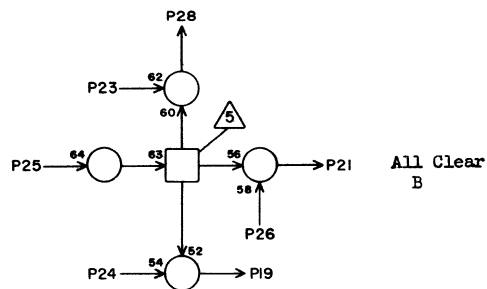
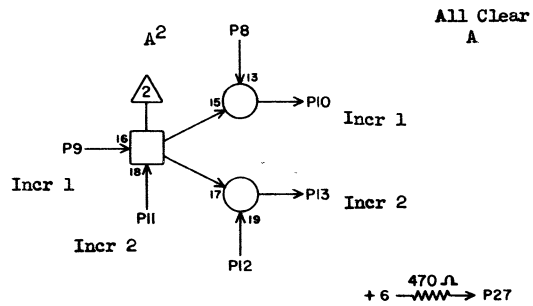
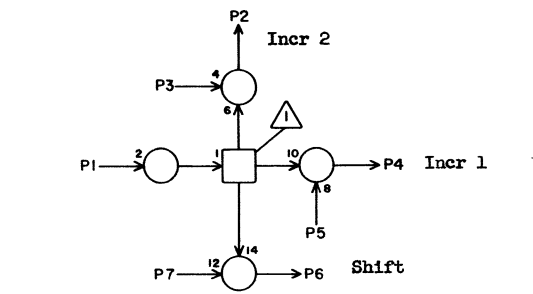
JACK PIN LG



HW 5N18

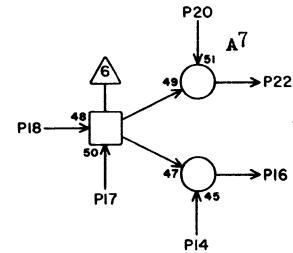
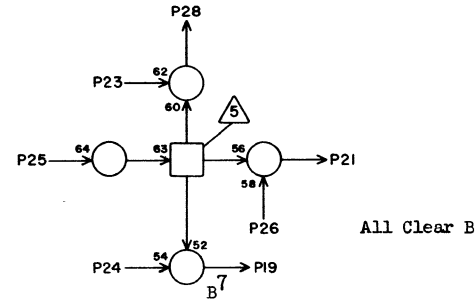
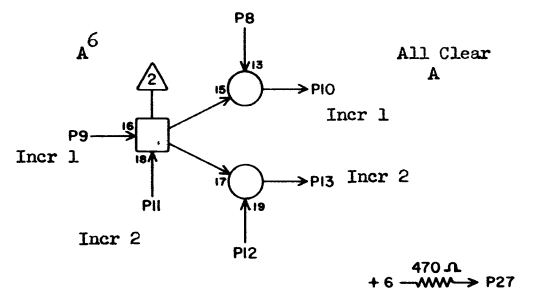
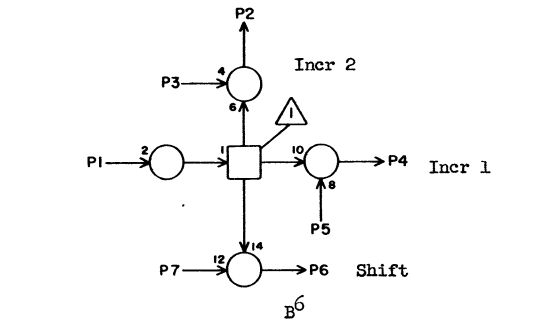
1	J34	11	25
2	K25	27	17
3	I32	16	25
4	M07	12	15
5	I28	16	23
6	I15	22	21
7	L29	23	15
8	I29	6	25
9	L03	5	19
10	M07	16	15
11	L07	5	17
12	I33	6	27
13	I24	21	13
14	I33	4	25
15			
16	I24	23	13
17	L03	9	19
18	L07	9	17
19	I15	24	23
20	I29	4	25
21	M07	14	15
22	M07	18	15
23	I32	10	25
24	I29	25	15
25	J35	11	25
26	I28	10	25
27			
28	K25	28	17

JACK PIN LG



HW		5N19	
1	K34	11	21
2	L23	21	13
3	I32	7	25
4	M07	17	15
5	I28	7	25
6	I16	18	23
7	L29	12	15
8	M31	14	15
9	L03	21	19
10	M07	20	15
11	L07	21	17
12	M31	22	17
13	L24	25	13
14	M31	20	17
15			
16	L24	26	13
17	L03	23	19
18	L07	23	17
19	I16	20	23
20	M31	12	15
21	M07	19	15
22	M07	22	15
23	I32	6	27
24	L29	10	15
25	K35	11	25
26	I28	6	27
27			
28	L23	23	13
JACK	PIN	LG	

60150800 Rev. A



HW		5N20	
1	L26	11	23
2	L23	25	11
3	I32	4	25
4	M07	21	17
5	I28	4	25
6	I16	22	23
7	L29	8	15
8	M31	10	15
9	L03	25	21
10	M07	24	17
11	L07	25	15
12	M31	18	15
13	L24	27	13
14	M31	16	15
15			
16	L24	28	13
17	L03	27	19
18	L07	27	17
19	I16	24	23
20	M31	8	15
21	M07	23	15
22	M07	26	17
23	I33	16	27
24	L29	6	15
25	L27	11	15
26	I29	16	25
27			
28	L23	26	11
JACK	PIN	LG	

60150800 Rev. K

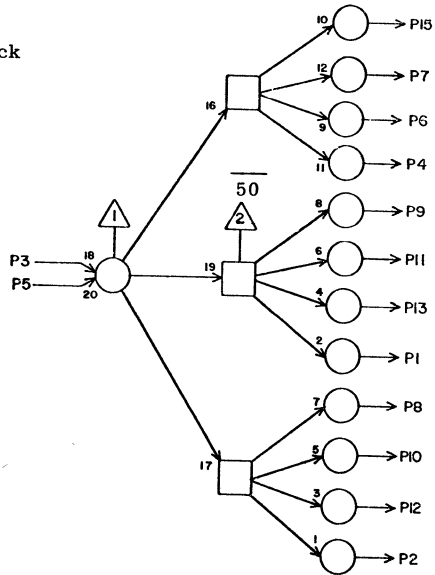
LS 63063500
ASSY

REV

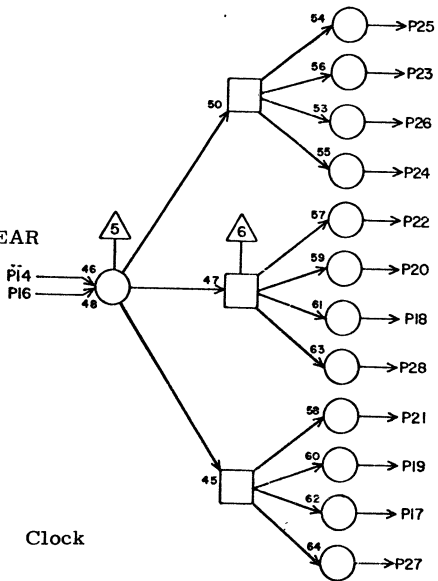
TC

5N21

Clock



MASTER CLEAR



Clock

JACK	PIN	LG
1	K12	13 17
2	K16	13 17
3	N08	27 120
4	K06	13 23
5		
6	K05	13 21
7	K08	13 19
8	K13	13 17
9	K09	13 19
10	K14	13 17
11	K10	13 19
12	K15	13 17
13	K11	13 17
14	Q42	22 29
15	K07	13 23
16		
17	N30	14 17
18	L12	11 19
19	K39	3 29
20	K18	19 19
21	R33	22 27
22	L07	11 13
23	L11	11 21
24	L17	11 17
25	Q26	4 27
26	Q04	24 17
27	Q32	13 21
28	G36	17 39

CIRCUIT SPECIFICATION I1827600

60150800 Rev N

LS 63063600
ASSY

REV

TD

5N22

P=XXXXXX7

P=XXXX7X

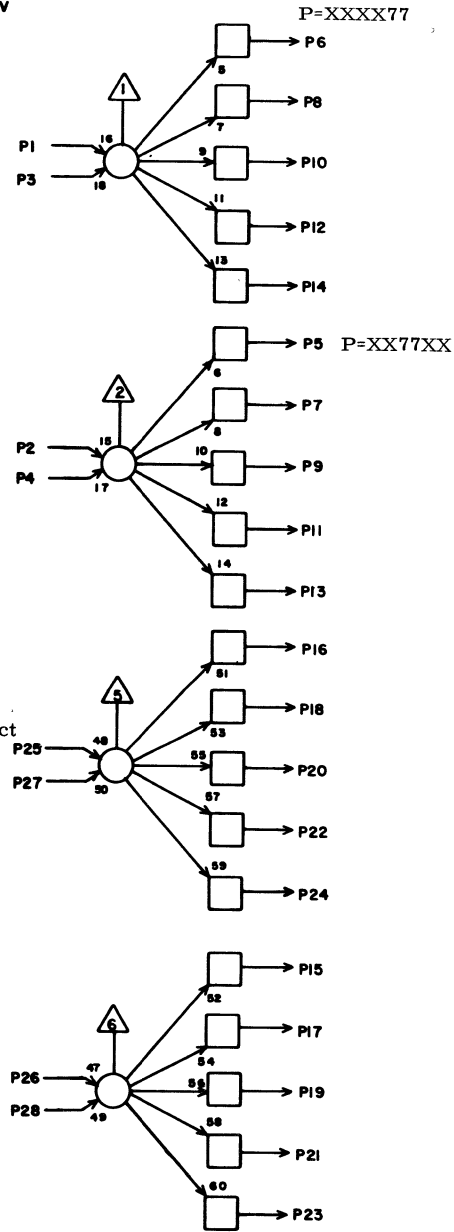
P=XXX7XXX

P=XX7XXX

Branch Select

Break In

MC



JACK	PIN	LG
1	N01	7 23
2	N03	7 21
3	N02	7 31
4	N04	7 21
5	N05	27 19
6	N04	26 21
7	N06	27 17
8	N05	26 19
9		
10	N06	26 17
11		
12		
13		
14		
15	I05	26 25
16	L22	20 11
17	K19	19 19
18		
19	K08	21 23
20		
21	R13	16 21
22		
23		
24		
25	L04	17 23
26	L17	17 13
27	P18	9 13
28	M09	23 17

CIRCUIT SPECIFICATION I1827600

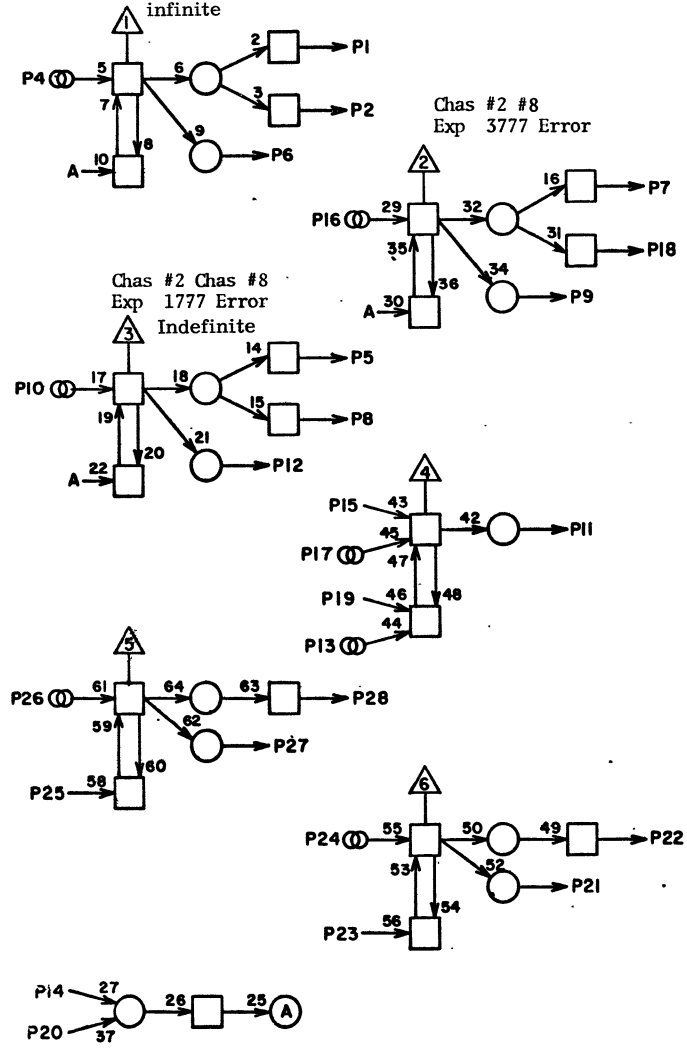
60150800 Rev AZ

5N22

LS 18058300 A
 ASSY REV
 Chas #2 #8 Exp 3777 Error
 infinite

PY

5N23

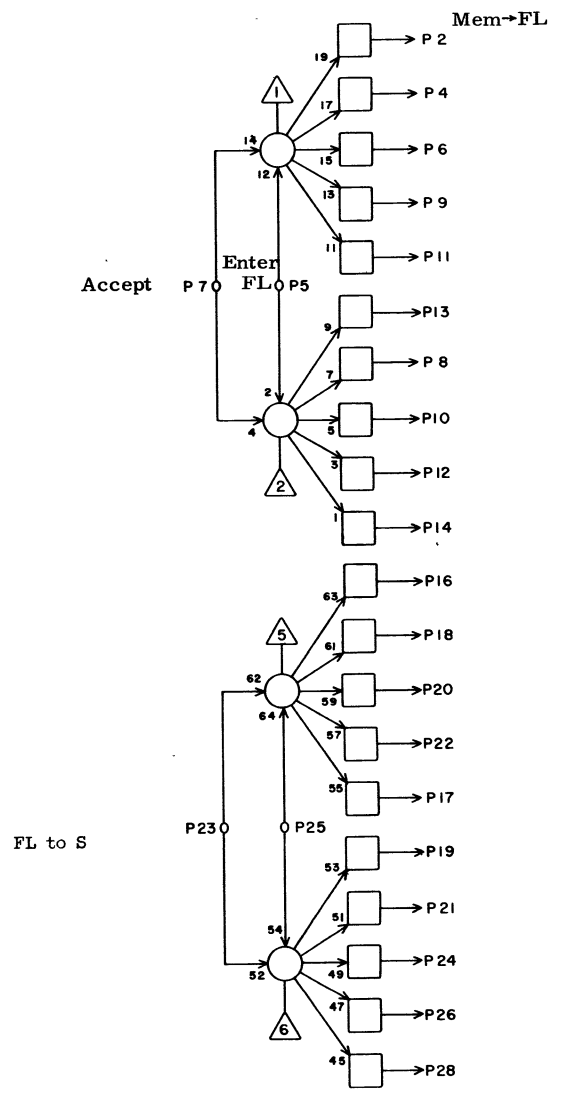


*For ECS Coupler Access
 and CEJ/MEJ only

1	Q20	1	15
2			
3			
4	W27	906	
5	P19	14	15
6	O11	14	15
7			
8			
9			
10	W27	905	
11	O37	26	19
12	O11	15	15
13			
14	N25	28	5
15	H02	11	49
16			
17			
18			
19	A20	6	53
20	GND		
21			
22			
23			
24			
25	N07	13	19
26	W21	97	
27	Q06	17	23
28			

CIRCUIT SPECIFICATION
 11827600
 60150800 Rev AZ

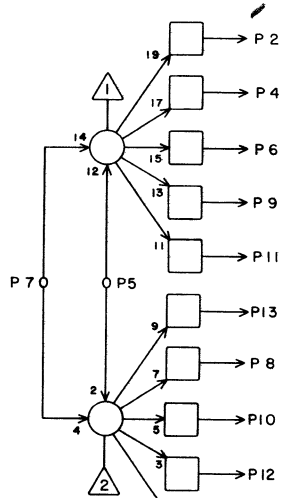
HC 5N24



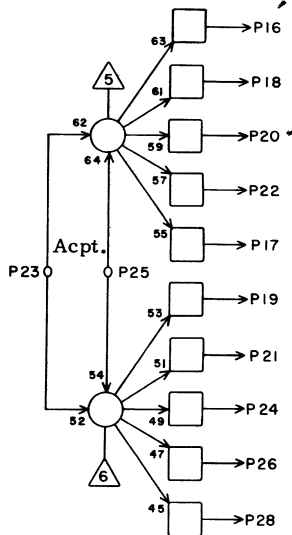
1			
2	L36	1	17
3			
4	L37	1	17
5	P39	5	120
6	L38	1	17
7	P38	19	17
8	L39	1	19
9			
10	L40	1	19
11			
12	M34	1	15
13			
14			
15			
16	L36	3	17
17			
18	L37	3	17
19			
20	L38	3	17
21			
22	L39	3	19
23	P40	10	19
24	L40	3	19
25			
26	M34	3	15
27			
28			

60150800 Rev. B

RA TO S



Mem→RA



Enter RA

HC 5N25

1			
2	L36	26	15
3			
4	L37	26	15
5	P40	2	17
6	L38	26	17
7			
8	L39	26	17
9			
10	L40	26	17
11	I04	26	29
12	M34	26	13
13			
14			
15			
16	L36	28	15
17	P20	14	17
18	L37	28	15
19			
20	L38	28	17
21	O13	27	15
22	L39	28	17
23	P39	4	120
24	L40	28	17
25	P38	17	17
26	M34	28	13
27			
28	N23	14	5

JACK PIN LG

60150800 Rev. BD

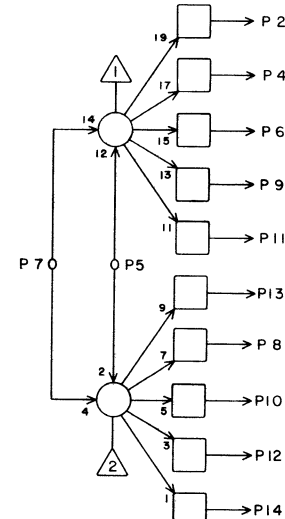
HC 5N26

1			
2	M35	14	13
3			
4	M36	14	13
5	O36	24	13
6	M37	14	13
7			
8	M38	14	15
9	Q25	28	17
10	M39	14	15
11			
12	M40	14	15
13	N10	2	19
14	H24	21	27
15			
16	M35	15	13
17	E09	27	180
18	M36	15	13
19	L16	15	17
20	M37	15	13
21	K19	17	19
22	M38	15	15
23	H24	19	27
24	M39	15	15
25			
26	M40	15	15
27			
28	R36	7	21

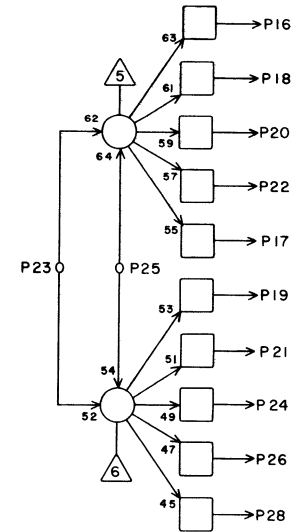
JACK PIN LG

60150800 Rev. Z

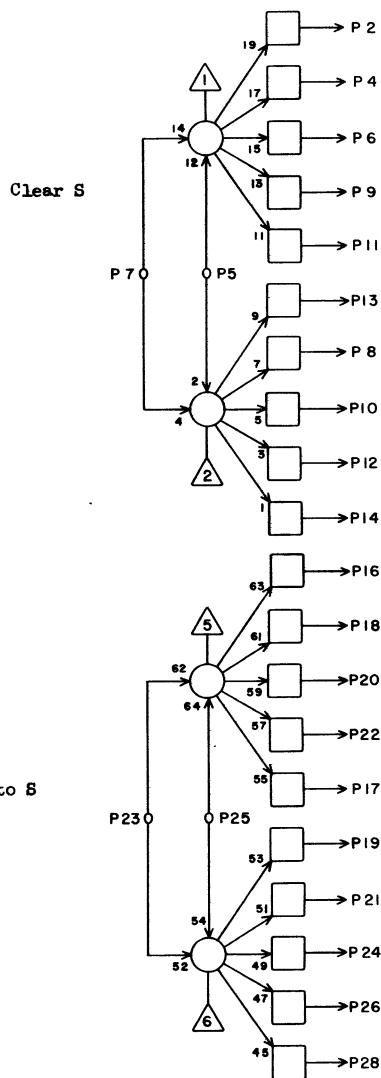
Exchange



Exchange



5N26

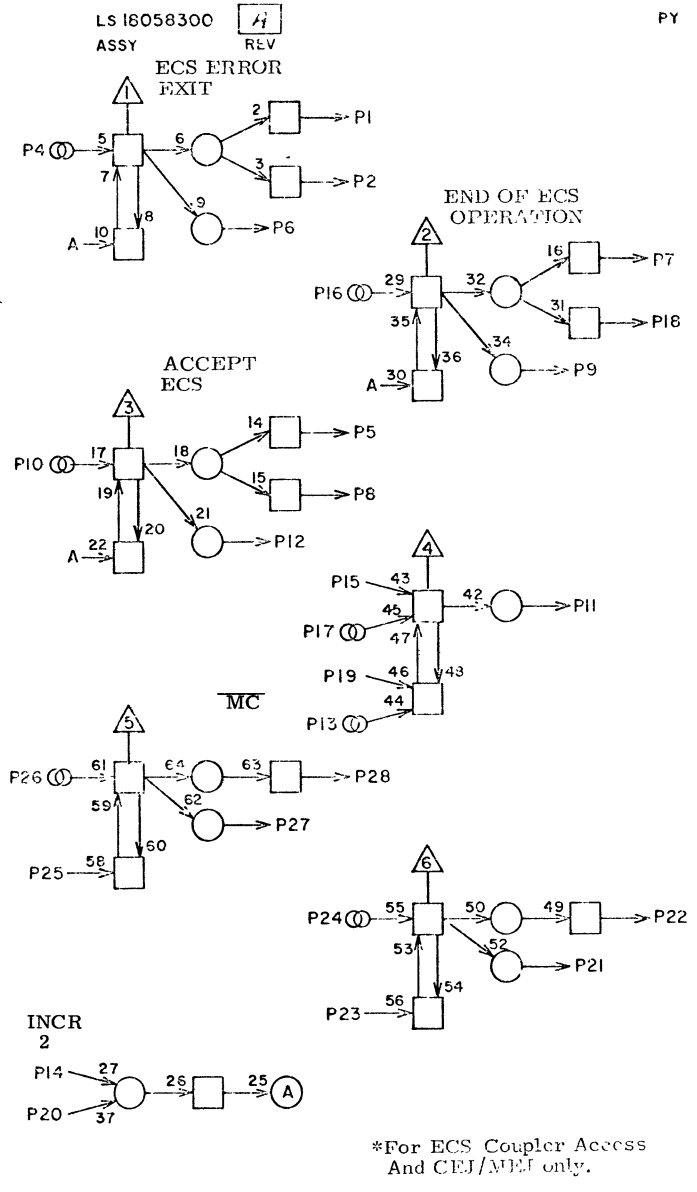


HC 5N27

1			
2	M35	16	13
3			
4	M36	16	13
5	N10	1	19
6	M37	16	13
7			
8	M38	16	15
9			
10	M39	16	15
11			
12	M40	16	15
13			
14			
15			
16	M35	18	13
17			
18	M36	18	13
19			
20	M37	18	13
21			
22	M38	18	15
23	P40	1	17
24	M39	18	15
25	K36	5	120
26	M40	18	15
27			
28			

JACK PIN LG

60150800 Rev. F



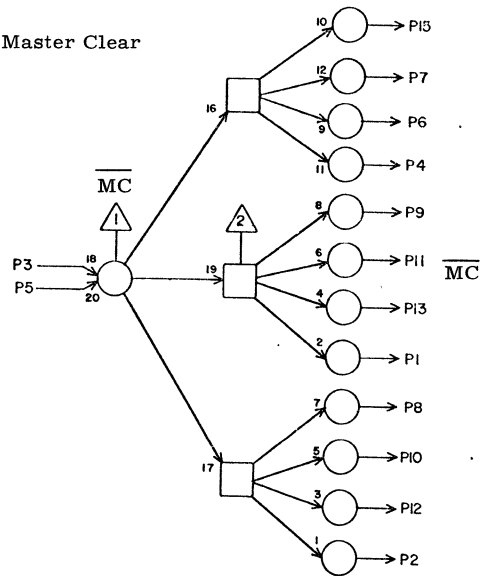
1			
2	H02	13	35
3			
4	W21	903	
5			
6	P20	2	21
7	R39	23	21
8	K39	23	103
9	P20	11	17
10	W21	91	
11	E10	25	39
12			
13			
14	E09	23	41
15	R39	17	23
16	W21	96	
17			
18			
19	P20	18	108
20	N28	X	2
21			
22			
23			
24			
25			
26			
27			
28			

JACK PIN LG

60150800 Rev. BA



Master Clear



TC

5N29

1	I36	20	23
2	J38	20	17
3	N30	23	5
4	H37	20	27
5			
6	H37	19	27
7	H37	11	27
8	J38	11	21
9	I36	12	23
10	J38	12	21
11	I36	11	25
12	J38	19	21
13	I36	19	23
14	N30	17	3
15	H37	12	27
16			
17	K18	3	19
18	K14	9	21
19	K17	3	19
20	K13	9	21
21	K16	7	19
22	K12	11	23
23	K09	8	25
24	K11	11	23
25	K08	6	25
26	K10	8	25
27	M08	14	180
28	K15	7	21

JACK PIN LG

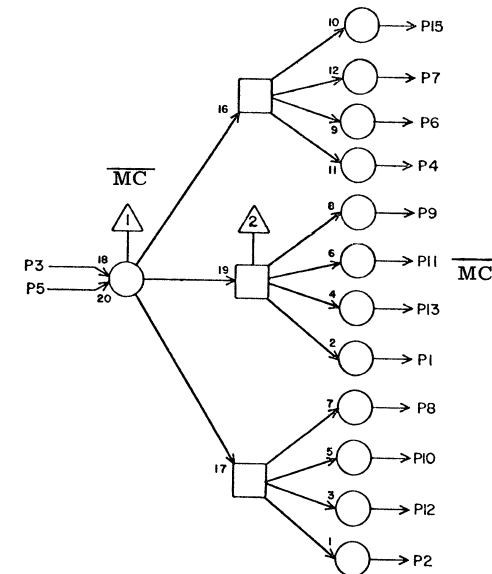
CIRCUIT SPECIFICATION I1827600

60150800 Rev AE



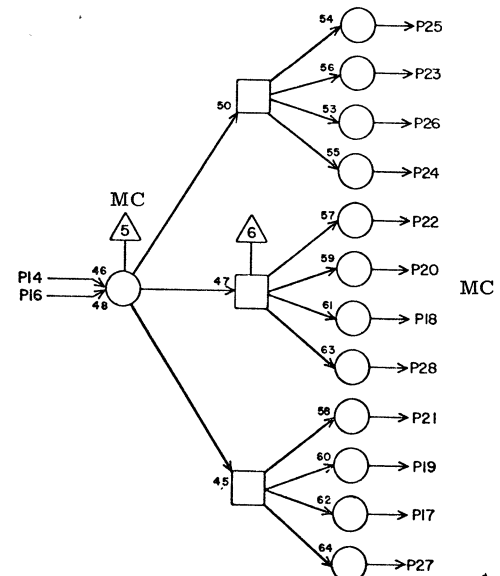
TC

5N30



MC

MC



MC

c

1	J36	19	19
2	K03	4	29
3	N30	25	5
4	I37	19	23
5			
6	I37	11	23
7	I37	12	23
8	J36	20	19
9	I37	20	23
10	K01	2	31
11	J36	12	19
12	K02	2	29
13	J36	11	19
14	N21	17	17
15	K39	17	17
16			
17	N29	14	5
18	H05	14	35
19	H08	14	33
20	H04	14	35
21	H07	14	33
22	H03	14	35
23	N29	3	5
24	H02	14	35
25	N30	3	5
26	H01	14	37
27	O17	21	15
28	H06	14	35

JACK PIN LG

CIRCUIT SPECIFICATION I1827600

60150800 Rev BG

5N30

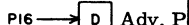
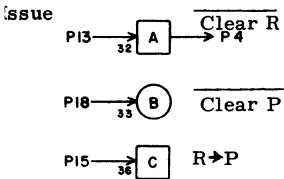
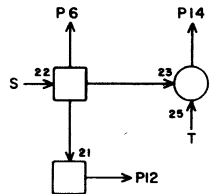
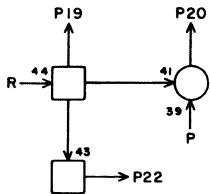
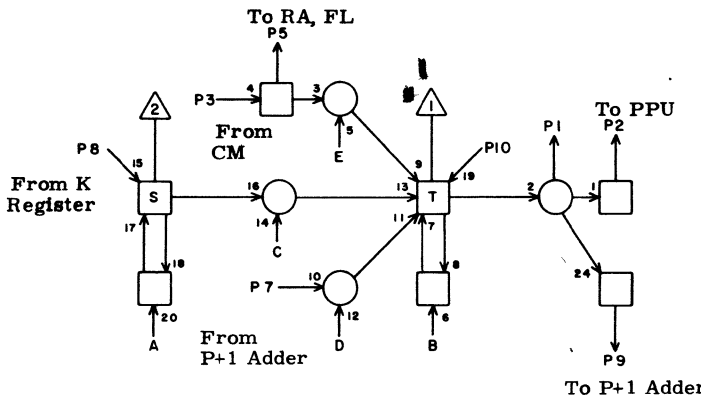
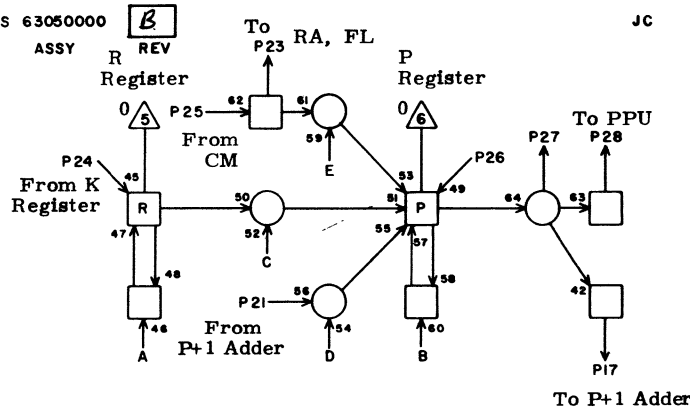
5N30

s 63050000

B

JC

5N31



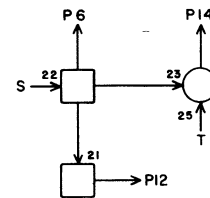
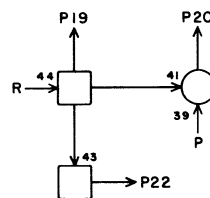
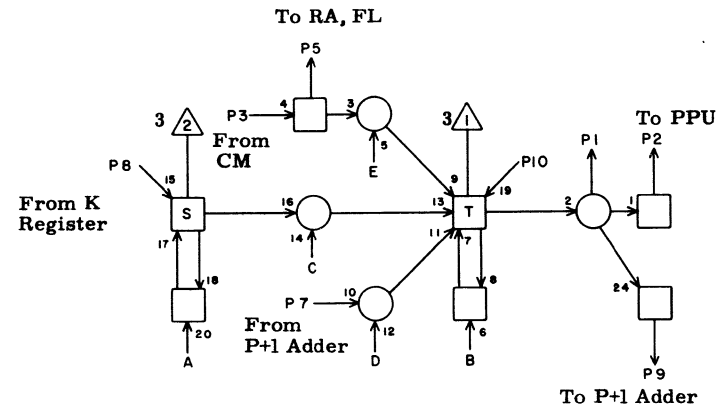
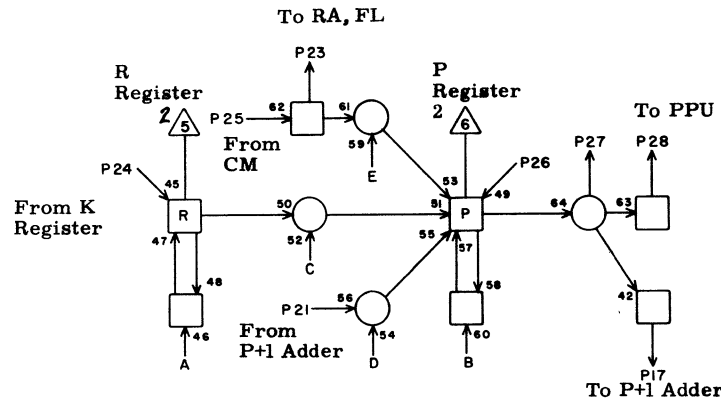
1	P28	17	13
2	G41	11	31
3	B42	23	47
4	M28	16	7
5	L36	13	13
6	P01	25	31
7	M35	21	7
8	M28	5	7
9	N01	14	31
10	O07	15	25
11	O39	25	11
12	P28	19	13
13	O32	14	5
14	P28	15	13
15	O38	25	11
16	O39	15	11
17	N01	13	31
18	O32	16	5
19	P01	6	31
20	P28	13	13
21	M35	26	7
22	P28	11	13
23	L36	15	13
24	M28	1	7
25	B42	20	47
26	O07	5	25
27	P28	9	13
28	G41	13	31

JACK PIN LG
CIRCUIT SPECIFICATION 11827600

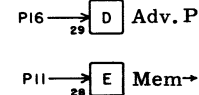
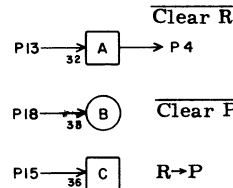
60150800 Rev B

JC

5N32



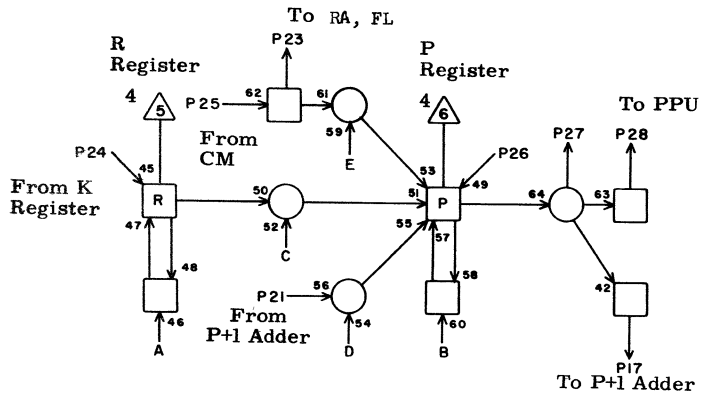
Issue



1	P29	9	13
2	G41	7	29
3	C41	1	43
4	M29	16	7
5	L37	15	13
6	P02	25	31
7	M36	26	7
8	M28	20	7
9	N02	13	31
10	O07	18	25
11	O39	23	11
12	P29	11	13
13	O32	12	5
14	P29	13	13
15	O38	23	11
16	O39	7	11
17	N01	18	31
18	O32	18	5
19	P02	6	31
20	P28	3	13
21	M35	6	7
22	P28	7	13
23	L36	17	13
24	M28	9	7
25	B42	28	47
26	O07	13	25
27	P28	5	13
28	G41	9	29

JACK PIN LG

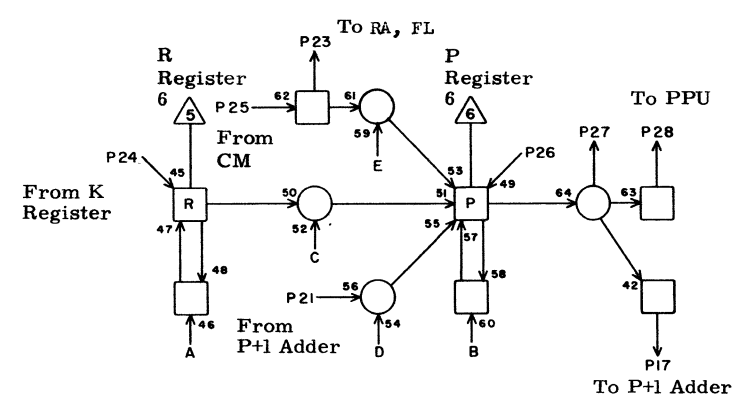
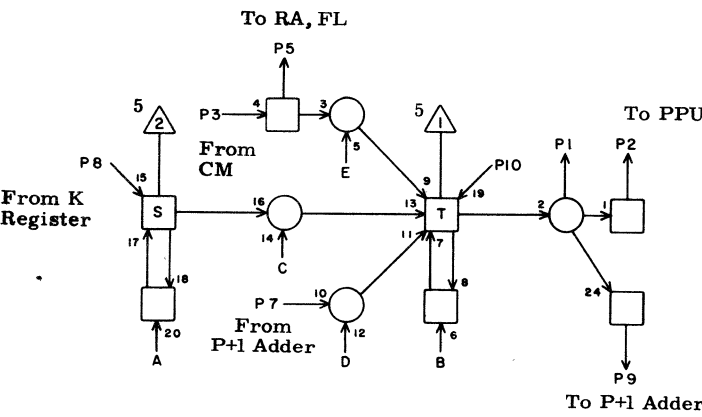
60150800 Rev. B



JC 5N33

1	P29	5	13
2	G41	26	29
3	C41	9	43
4	M30	14	7
5	L37	17	13
6	P03	25	31
7	M36	6	7
8	M28	27	7
9	N02	18	31
10	008	15	25
11	039	26	11
12	P29	7	13
13	032	6	5
14	P29	3	13
15	038	26	9
16	039	6	11
17	N02	14	31
18	032	20	7
19	P03	6	31
20	P29	15	13
21	M36	21	13
22	P29	19	13
23	L37	13	13
24	M28	21	7
25	C41	8	43
26	008	5	25
27	P29	17	13
28	G41	5	31

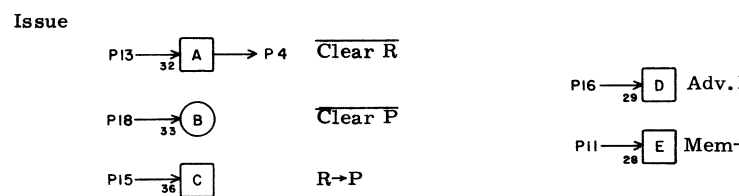
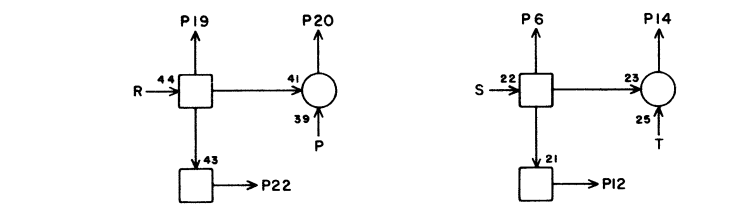
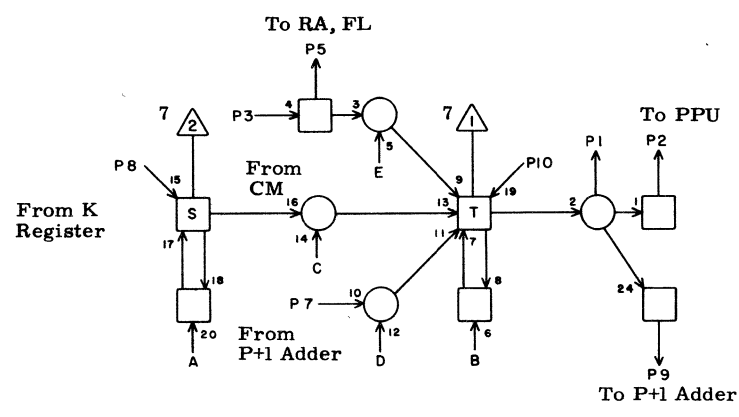
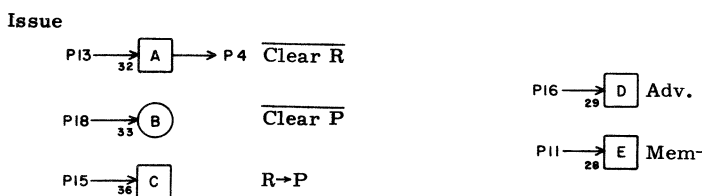
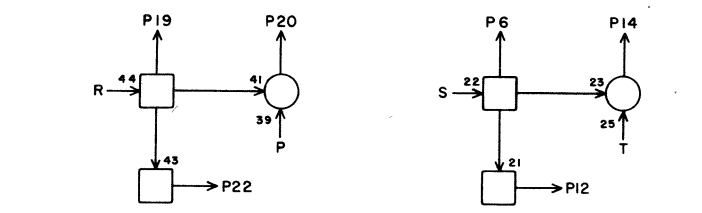
JACK PIN LG

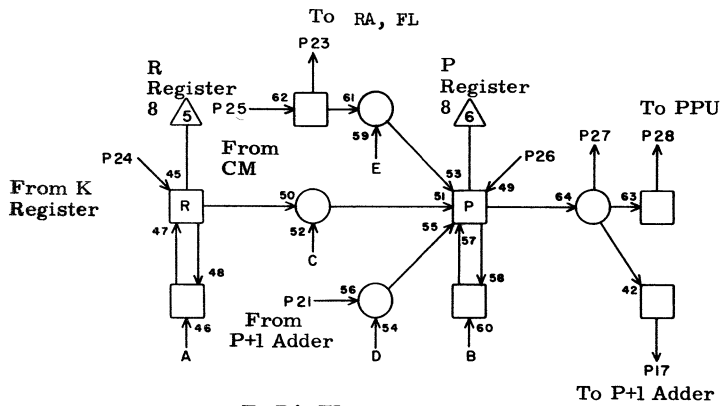


JC 5N34

1	P30	17	13
2	G41	22	29
3	C41	23	43
4			
5	L38	13	13
6	P04	25	31
7	M37	21	7
8	M29	5	11
9	N03	14	31
10	008	18	25
11	039	24	11
12	P30	19	13
13	032	4	5
14	P30	15	13
15	038	24	7
16	039	4	11
17	N03	13	31
18	032	22	7
19	P04	6	31
20	P30	13	13
21	M37	26	7
22	P30	11	13
23	L38	15	13
24	M29	1	11
25	C41	20	43
26	008	13	25
27	P30	9	13
28	G41	24	29

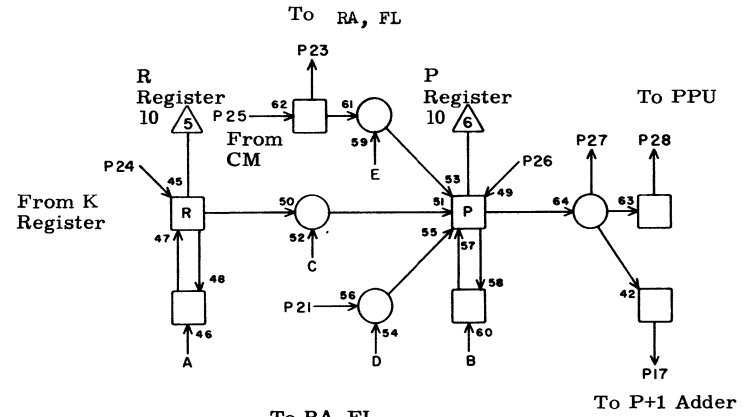
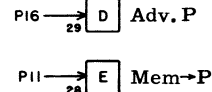
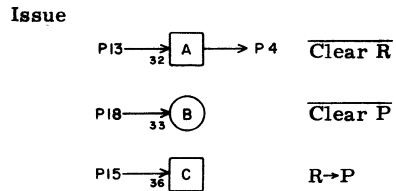
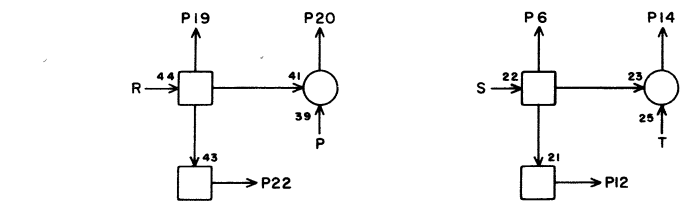
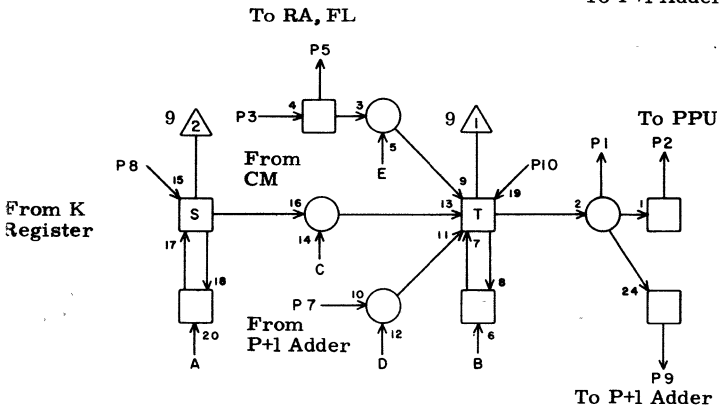
JACK PIN LG





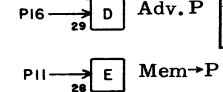
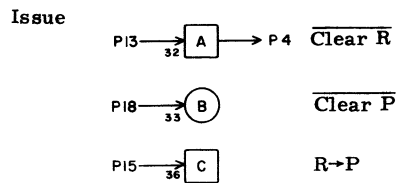
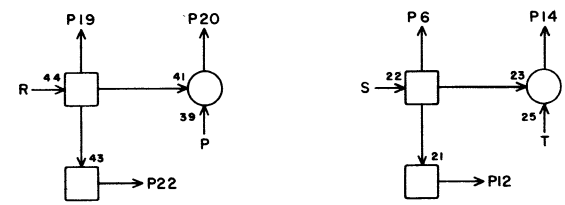
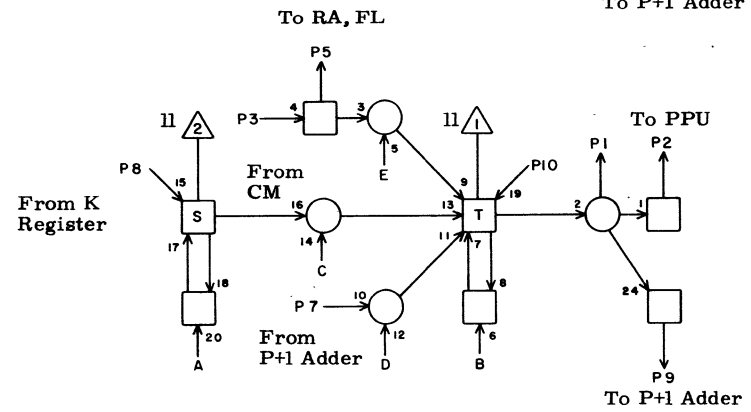
JC 5N35

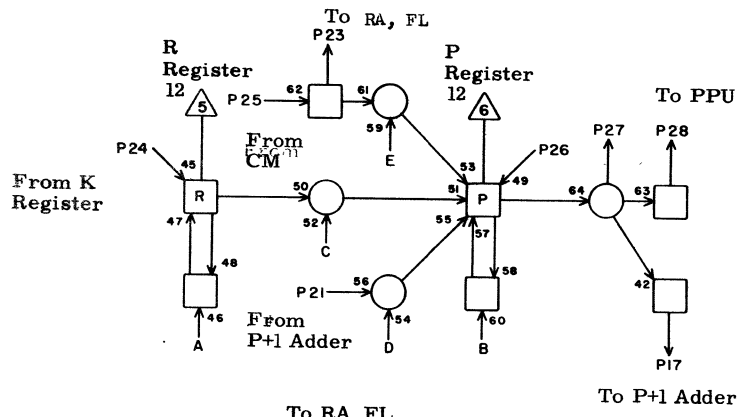
	JACK	PIN	LG
1	P31	9	13
2	G41	18	29
3	A41	1	55
4			
5	L39	15	13
6	P05	25	31
7	M38	26	7
8	M29	20	11
9	N04	13	31
10	009	15	27
11	039	22	9
12	P31	11	13
13	032	10	7
14	P31	13	13
15	038	22	7
16	039	9	7
17	N03	18	31
18	032	17	7
19	P 5	6	31
20	P30	3	13
21	M37	6	9
22	P30	7	13
23	L38	17	13
24	M29	9	11
25	C41	28	43
26	009	5	27
27	P30	5	13
28	G41	20	29



JC 5N36

	JACK	PIN	LG
1	P31	5	13
2	G42	11	31
3	A41	9	55
4			
5	L39	17	13
6	P 6	25	31
7	M38	6	7
8	M29	27	13
9	N04	18	31
10	009	18	27
11	039	20	7
12	P31	7	13
13	032	11	7
14	P31	3	13
15	038	20	7
16	039	11	7
17	N04	14	31
18	032	19	7
19	P 6	6	31
20	P31	15	13
21	m38	21	7
22	P31	19	13
23	L39	13	13
24	M29	21	11
25	A41	8	60
26	009	13	27
27	P31	17	13
28	G42	13	31

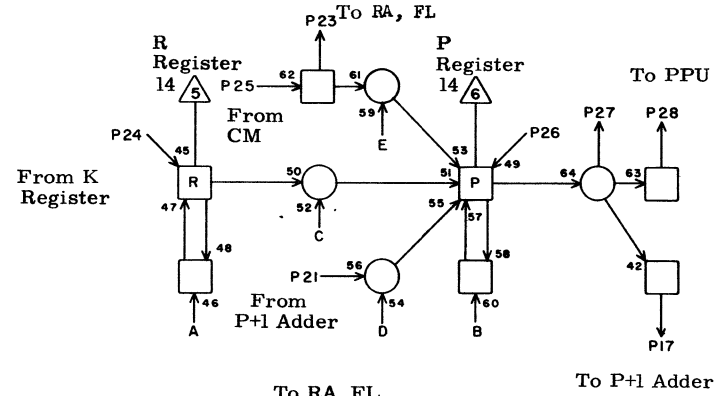




JC 5N37

1	P32	17	13
2	G42	7	31
3	A41	23	55
4			
5	P35	5	13
6	P 7	25	31
7	M39	21	5
8	M30	5	11
9	N05	14	31
10	O10	15	27
11	O39	18	7
12	P32	19	13
13	O32	13	11
14	P32	15	13
15	O38	18	7
16	O39	13	5
17	N05	13	31
18	O32	21	11
19	P 7	6	31
20	P32	13	13
21	M39	26	7
22	P32	11	13
23	P35	14	13
24	M30	2	11
25	A41	20	60
26	O10	5	27
27	P32	9	13
28	G42	9	31

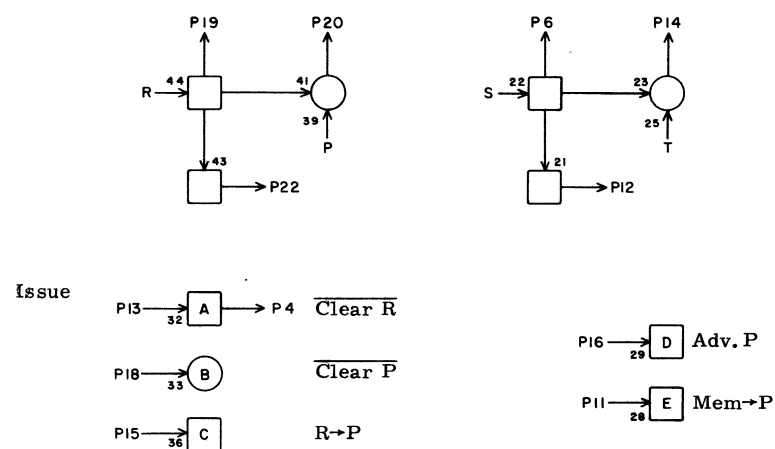
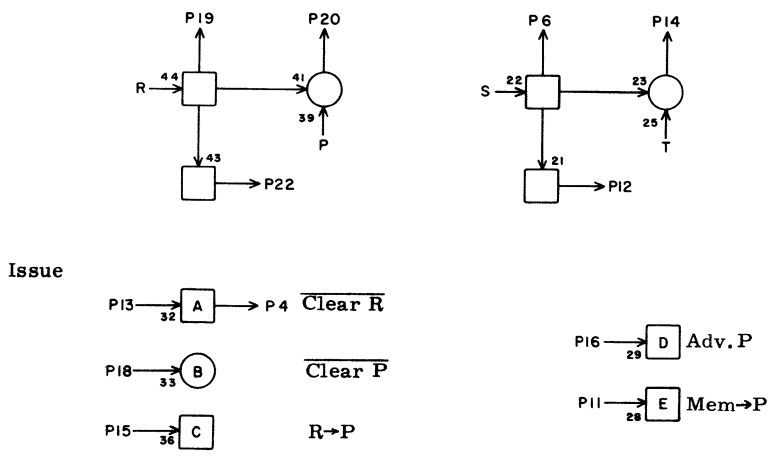
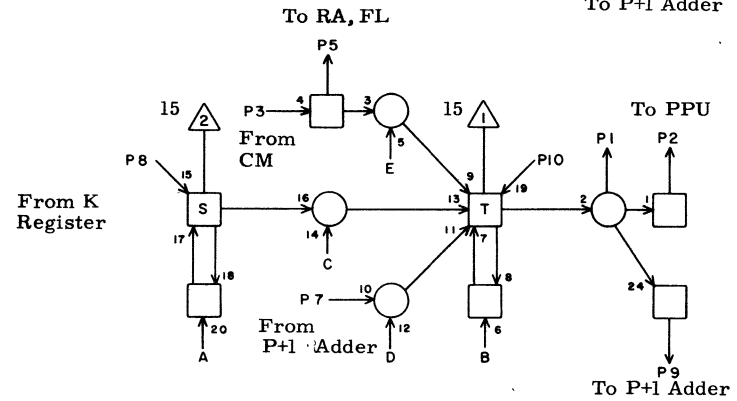
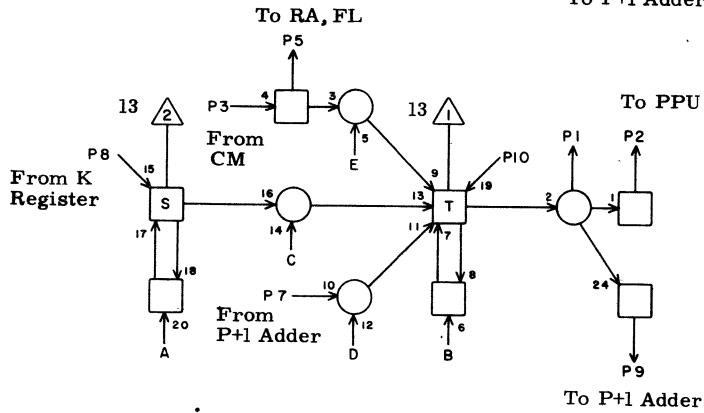
JACK PIN LG

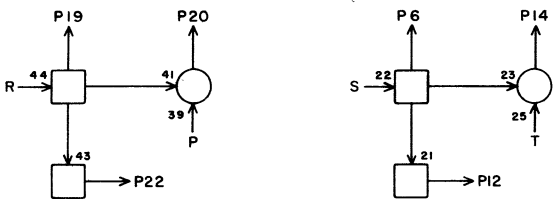
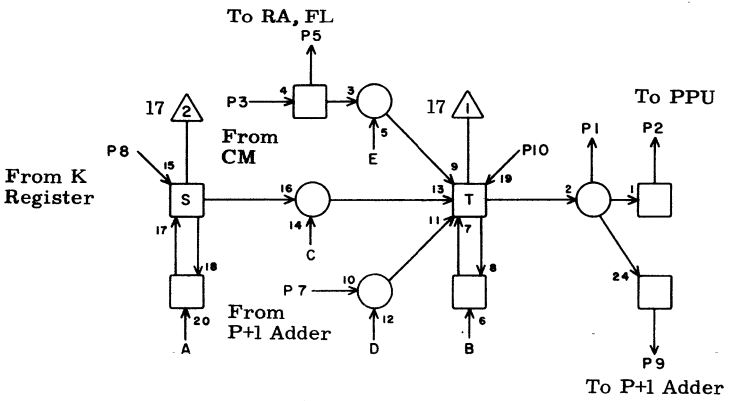
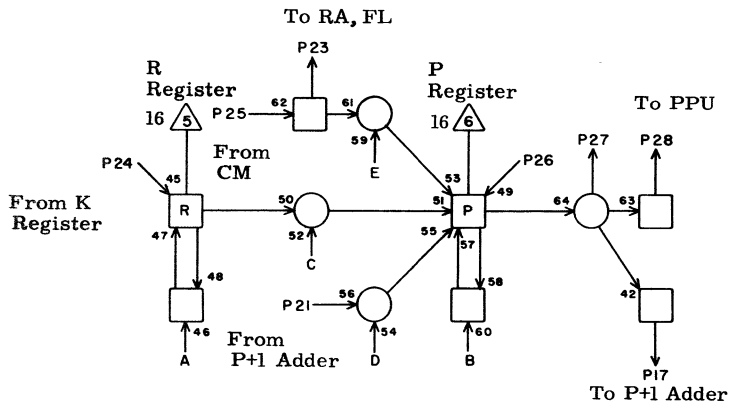


JC 5N38

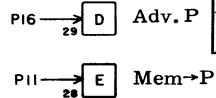
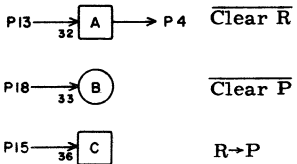
1	P33	9	13
2	G42	26	31
3	A42	1	55
4			
5	M34	15	11
6	P 8	25	31
7	M40	26	7
8	M30	20	13
9	N06	13	31
10	O10	18	27
11	O39	28	7
12	P33	11	13
13	O32	2	11
14	P33	13	13
15	O38	28	7
16	O39	1	5
17	N05	18	31
18	O32	24	11
19	P 8	6	31
20	P32	3	13
21	M39	6	7
22	P32	7	13
23	P35	24	13
24	M30	8	13
25	A41	28	55
26	O10	13	27
27	P32	5	13
28	G42	5	31

JACK PIN LG





Issue



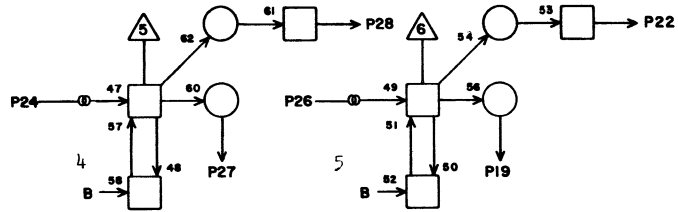
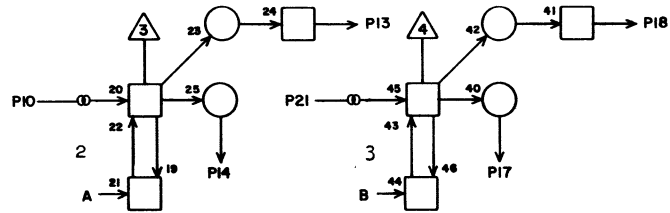
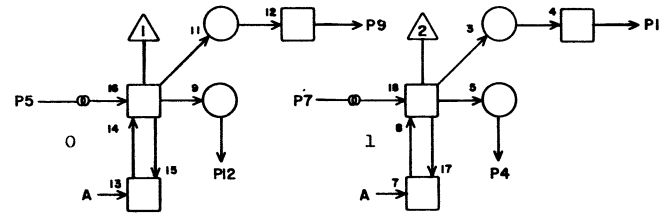
JC 5N39

1	P33	5	13
2			
3	A42	9	55
4			
5	M34	17	11
6	P09	25	31
7	M40	6	7
8	M30	23	13
9	N06	18	31
10	O11	1	27
11	O39	21	7
12	F33	7	13
13	O32	8	13
14	P33	3	13
15	O38	21	7
16	O39	8	7
17	N06	14	31
18	O32	26	13
19	P09	6	31
20	P33	15	13
21	M40	21	7
22	P33	19	13
23	M34	13	13
24	M30	9	13
25	A42	8	60
26	O11	28	29
27	P33	17	13
28	G42	24	29

JACK PIN LG

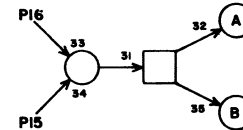
60150800 Rev. AC

PI 5N40



Read - Write - Exchange

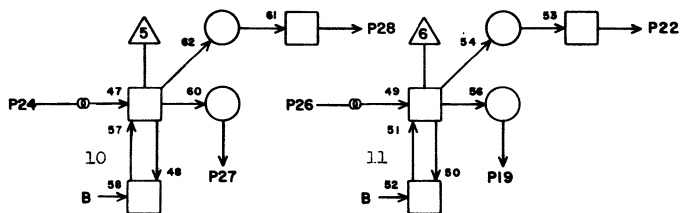
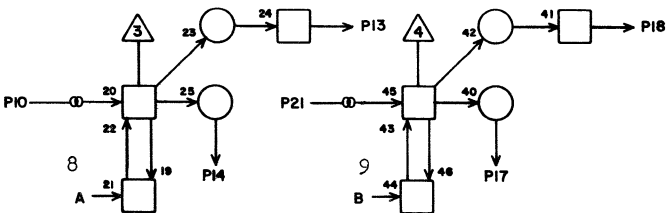
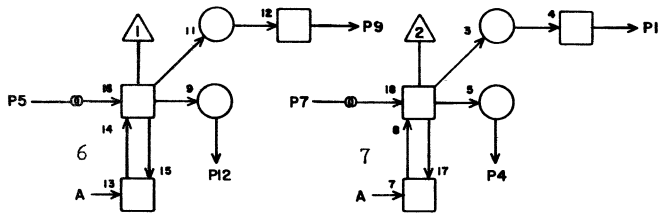
PERIPHERAL ADDRESS



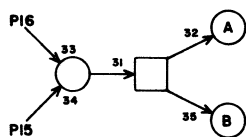
1	G27	5	19
2			
3			
4			
5	W24	901	
6			
7	W24	902	
8			
9	G27	6	19
10	W24	903	
11			
12			
13	G27	7	19
14			
15	O37	16	7
16			
17			
18	G27	22	19
19			
20			
21	W24	904	
22	G27	23	19
23			
24	W24	905	
25			
26	W24	906	
27			
28	G27	24	19

JACK PIN LG

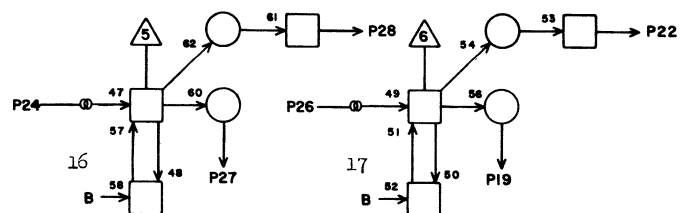
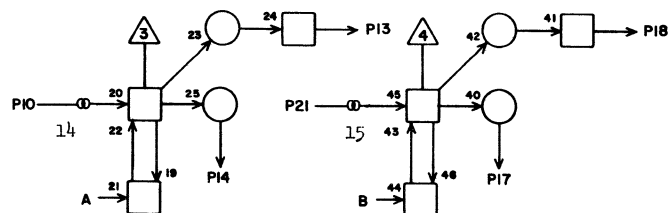
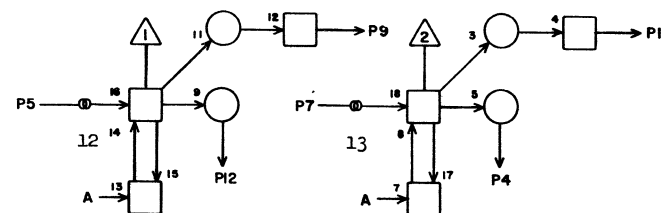
60150800 Rev. A



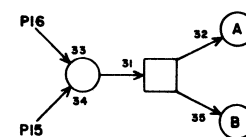
Read - Write - Exchange
PERIPHERAL ADDRESS



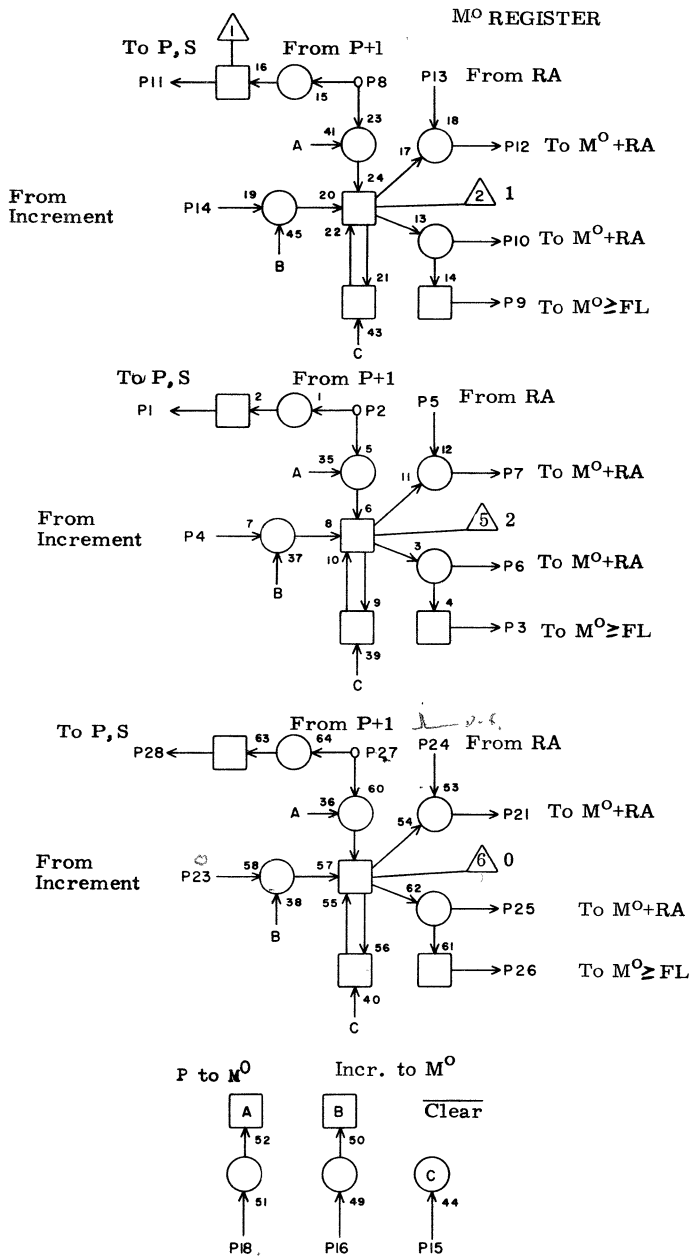
PI 5N41			
1	Q28	5	19
2			
3			
4			
5	W24	907	
6			
7	W24	908	
8			
9	Q28	6	19
10	W24	900	
11			
12			
13	Q28	7	19
14			
15	037	18	7
16			
17			
18	Q28	22	19
19			
20			
21	W24	91	
22	Q28	23	19
23			
24	W24	92	
25			
26	W24	93	
27			
28	Q28	24	19
	JACK	PIN	LG



Read - Write - Exchange
PERIPHERAL ADDRESS

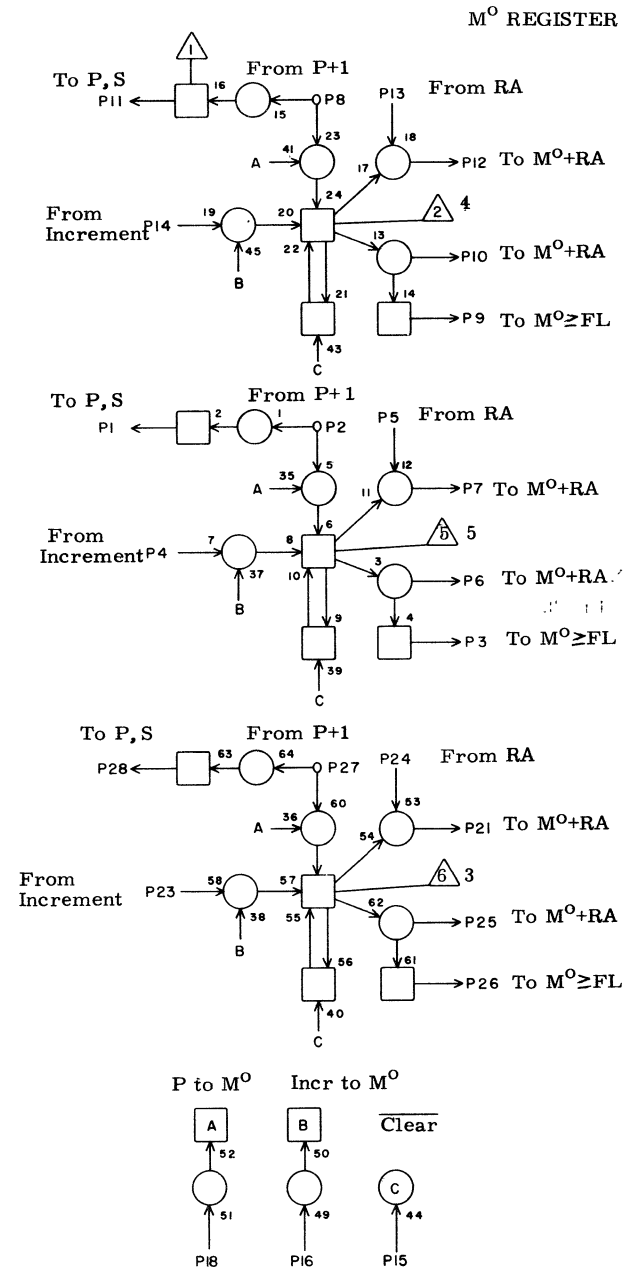


PI 5N42			
1	Q29	5	19
2			
3			
4			
5	W24	94	
6			
7	Q24	95	
8			
9	Q29	6	19
10	Q24	96	
11			
12			
13	Q29	7	19
14			
15	037	20	9
16			
17			
18	Q29	22	19
19			
20			
21	W24	97	
22	Q29	23	19
23			
24	W24	98	
25			
26	W24	99	
27			
28	Q29	24	19
	JACK	PIN	LG



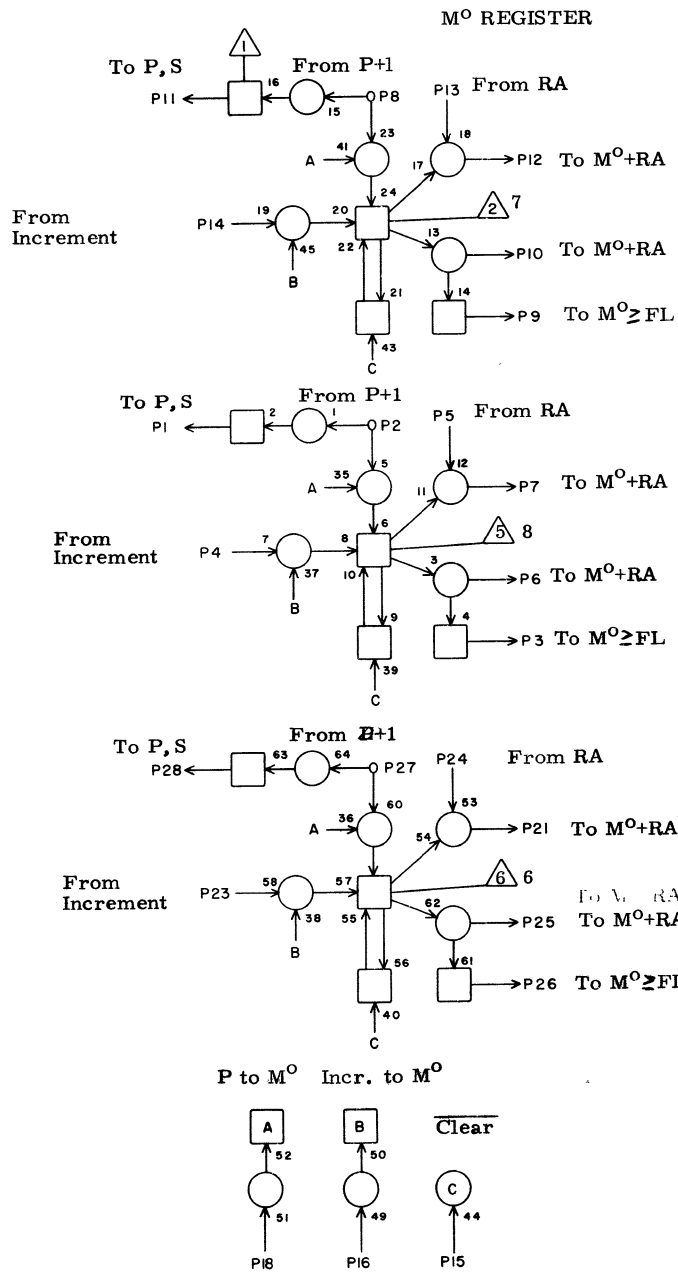
JF		5001	
1	M35	1	35
2	N01	20	7
3	Q01	4	11
4	007	2	7
5	L36	18	35
6	R01	5	15
7	R01	3	15
8	N01	24	7
9	Q01	11	11
10	R01	17	15
11	M35	20	35
12	R01	15	15
13	L36	23	35
14	007	24	7
15	R36	16	35
16	R35	2	35
17			
18	R35	16	35
19			
20			
21	R01	13	15
22			
23	007	7	7
24	L36	24	35
25	R01	9	15
26	Q01	5	11
27	N01	9	7
28	M35	25	35

JACK PIN LG



JF		5002	
1	M36	1	33
2	N02	20	7
3	Q01	23	13
4	008	24	7
5	L37	18	35
6	R02	5	15
7	R02	3	15
8	N02	24	7
9	Q01	20	13
10	R02	17	15
11	M36	20	33
12	R02	15	15
13	L37	23	35
14	008	7	7
15	R36	18	35
16	R35	4	33
17			
18	R35	18	33
19			
20			
21	R02	13	15
22			
23	007	27	7
24	L37	24	35
25	R02	9	15
26	Q01	24	13
27	N02	9	7
28	M36	25	33

JACK PIN LG

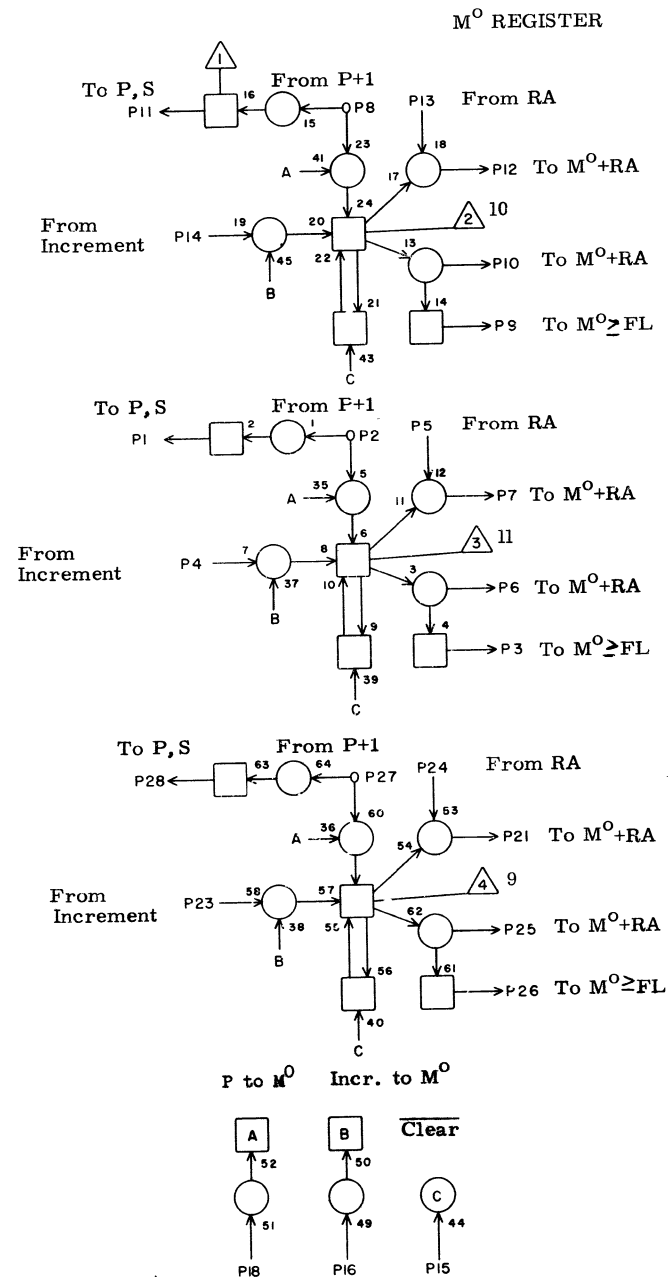


JF 5003

1	M37	1	33
2	N03	20	7
3	Q02	4	11
4	009	7	7
5	L38	18	35
6	R03	5	15
7	R03	3	15
8	N03	24	7
9	Q02	11	11
10	R03	17	15
11	M37	20	33
12	R03	15	15
13	L38	23	35
14	008	27	7
15	R36	20	35
16	R35	6	33
17			
18	R35	20	33
19			
20			
21	R03	13	15
22			
23	008	2	7
24	L38	24	35
25	R03	9	15
26	Q02	5	11
27	N03	9	7
28	M37	25	33

JACK PIN LG

60150800 Rev. B

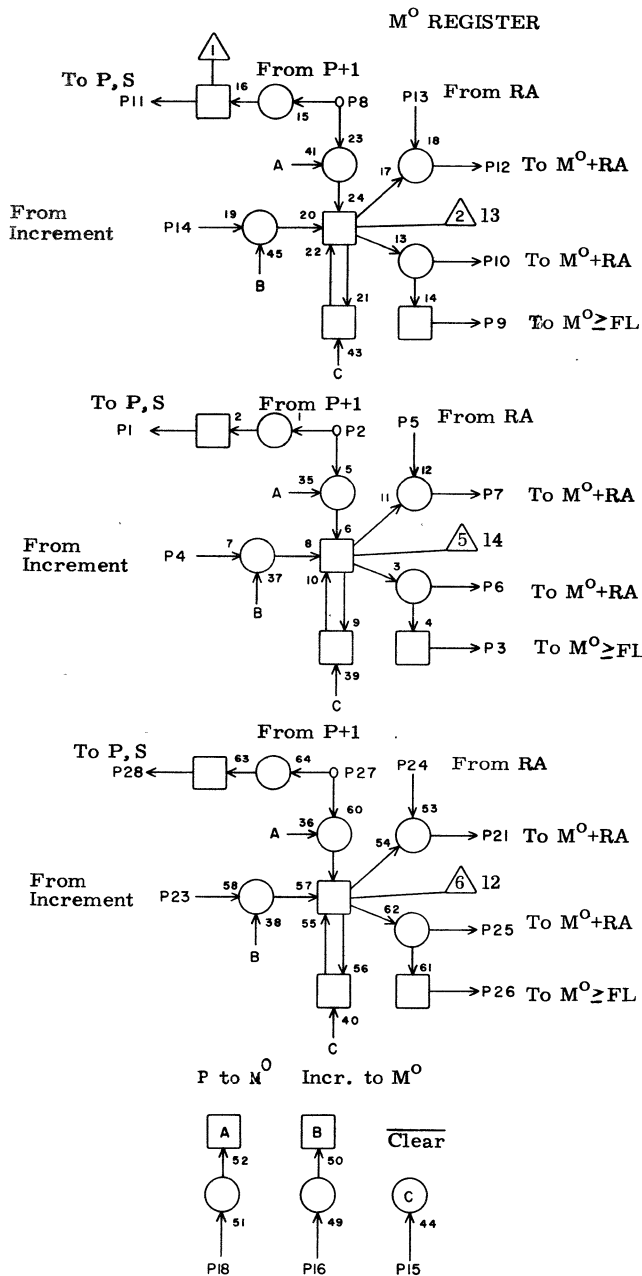


JF 5004

1	M38	1	33
2	N04	20	7
3	Q02	23	13
4	009	27	7
5	L39	18	35
6	R04	5	15
7	R04	3	15
8	N04	24	7
9	Q02	20	13
10	R04	17	15
11	M38	20	33
12	R04	15	15
13	L39	23	35
14	009	2	7
15	R36	22	33
16	R35	9	33
17			
18	R35	22	33
19			
20			
21	R04	13	15
22			
23	009	24	7
24	L39	24	35
25	R04	9	15
26	Q02	24	13
27	N04	9	7
28	M38	25	33

JACK PIN LG

60150800 Rev. B

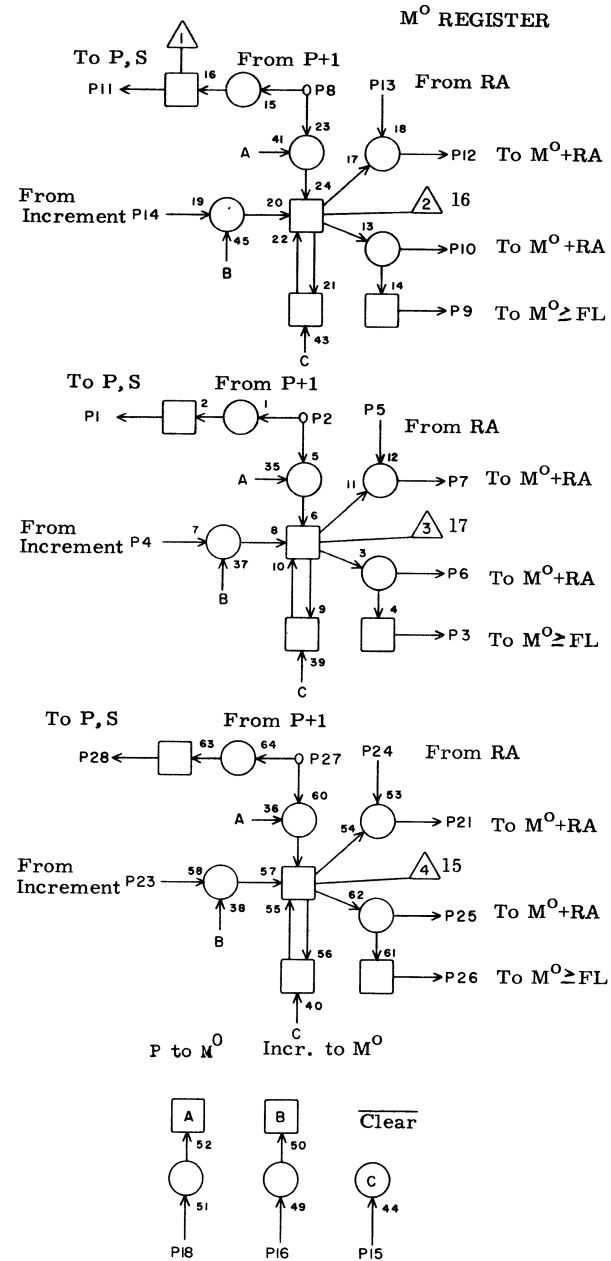


JF 5005

1	M39	1	33
2	N05	20	7
3	Q03	4	13
4	O10	2	7
5	L40	18	35
6	R05	5	15
7	R05	3	15
8	N05	24	7
9	Q03	11	13
10	R05	17	15
11	M39	20	33
12	R05	15	15
13	L40	23	35
14	O10	24	7
15	R36	17	33
16	R35	11	31
17			
18	R35	17	31
19			
20			
21	R05	13	15
22			
23	O10	7	7
24	L40	24	35
25	R05	9	15
26	Q03	5	13
27	N05	9	7
28	M39	25	37

JACK PIN LG

60150800 Rev. B



5006

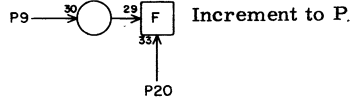
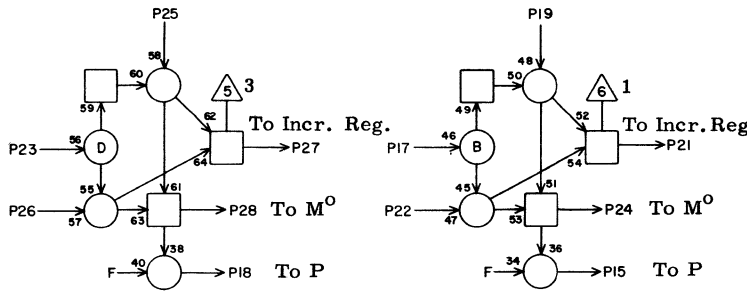
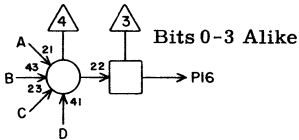
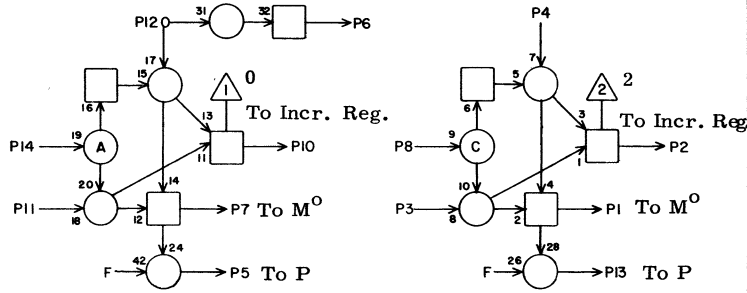
JF 5006

1	M40	1	33
2	N06	20	7
3	Q03	23	13
4	O11	8	9
5	M34	18	29
6	R06	5	15
7	R06	3	15
8	N06	24	7
9	Q03	20	13
10	R06	17	15
11	M40	20	33
12	R06	15	15
13	M34	23	29
14	O11	21	9
15	R36	19	33
16	R35	13	31
17			
18	R35	19	31
19			
20			
21	R06	13	15
22			
23	O10	27	7
24	M34	24	29
25	R06	9	15
26	Q03	24	13
27	N06	9	7
28	M40	25	33

JACK PIN LG

60150800 Rev. B

INCREMENT RESULT NETWORK

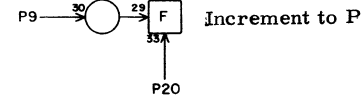
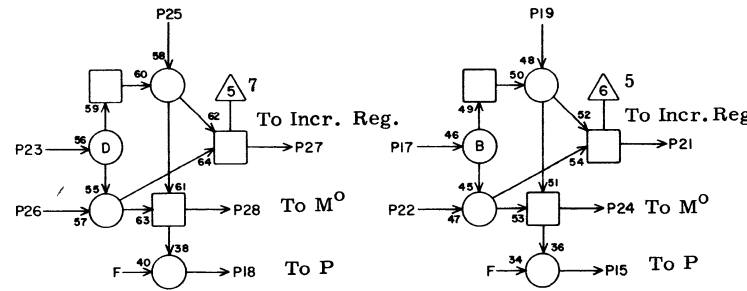
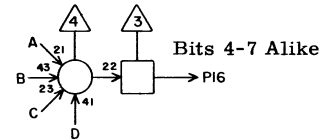
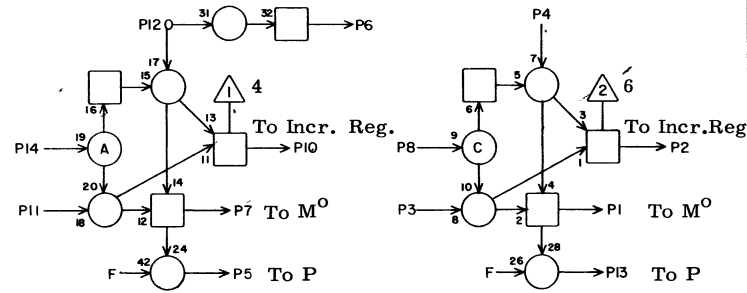


CD 5007

1	P02	3	7
2	001	4	7
3	P22	28	17
4	P22	12	17
5	N31	26	25
6			
7	001	23	7
8	P22	4	60
9	P38	16	31
10	P01	3	9
11	P22	26	17
12	P22	18	17
13	N32	26	25
14	P22	6	60
15	N31	10	25
16	R37	10	31
17	P22	8	60
18	N32	10	25
19	P22	1	17
20			
21	P01	26	9
22	P22	2	17
23	P23	6	60
24	001	14	7
25	P23	18	19
26	P23	26	19
27	002	23	7
28	P02	26	7

JACK PIN LG

INCREMENT RESULT NETWORK

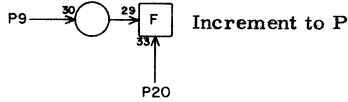
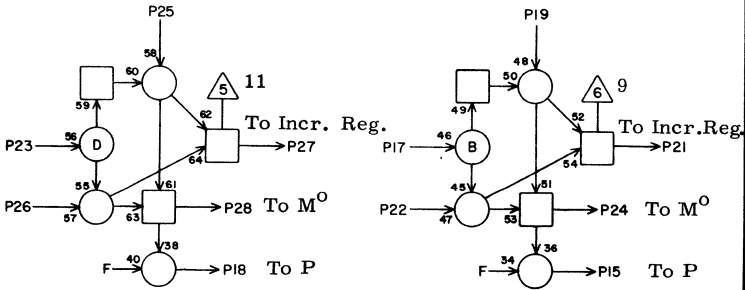
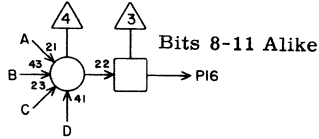
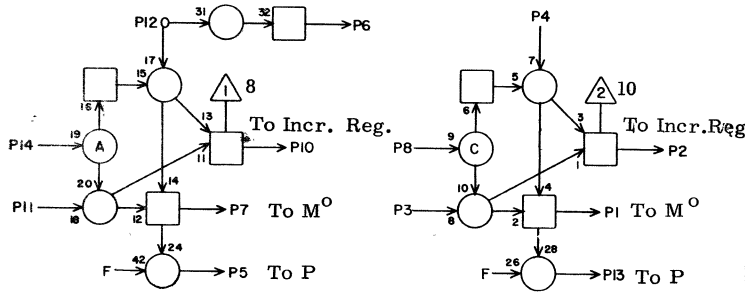


CD 5008

1	P04	3	7
2	003	23	7
3	P24	26	19
4	P24	18	19
5	N33	26	25
6			
7	002	14	7
8	P24	06	60
9	P38	18	29
10	P03	3	7
11	P23	2	17
12	P23	1	17
13	N34	26	25
14	P23	8	60
15	N33	10	25
16	R37	18	29
17	P23	4	60
18	N34	10	25
19	P23	12	17
20			
21	P03	26	7
22	P23	28	17
23	P24	08	60
24	002	4	7
25	P24	1	19
26	P24	2	19
27	003	14	7
28	P04	26	7

JACK PIN LG

INCREMENT RESULT NETWORK

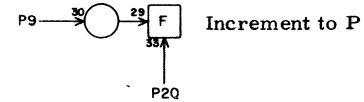
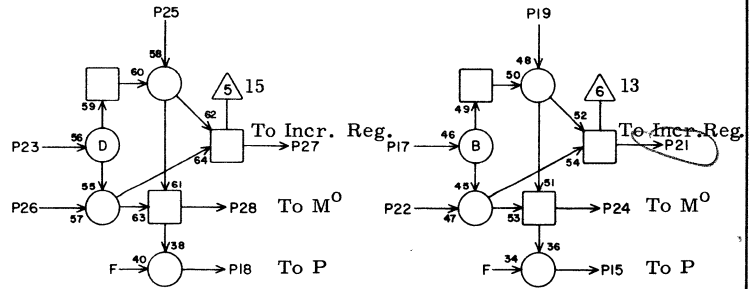
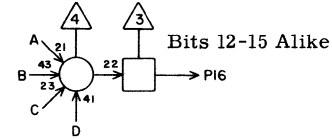
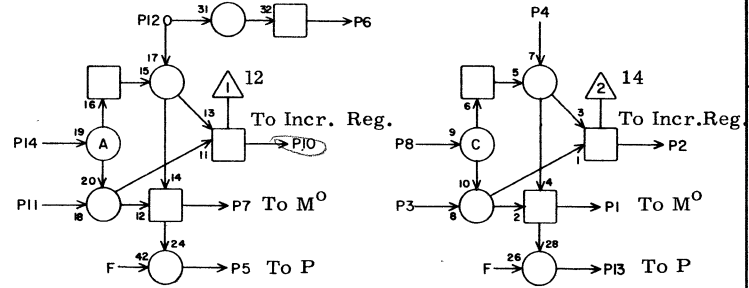


CD **5009**

1	P06	3	7
2	004	14	7
3	P25	2	17
4	P25	1	17
5	N35	26	27
6			
7	003	4	7
8	P25	8	60
9	P38	20	29
10	P05	3	7
11	P24	28	17
12	P24	12	17
13	N36	26	27
14	P24	4	60
15	N35	10	27
16	R37	21	29
17	P25	6	60
18	N36	10	27
19	P25	18	17
20			
21	P05	26	7
22	P25	26	17
23	P25	4	60
24	004	23	7
25	P25	12	17
26	P25	28	17
27	004	4	7
28	P06	26	7

JACK PIN LG

INCREMENT RESULT NETWORK



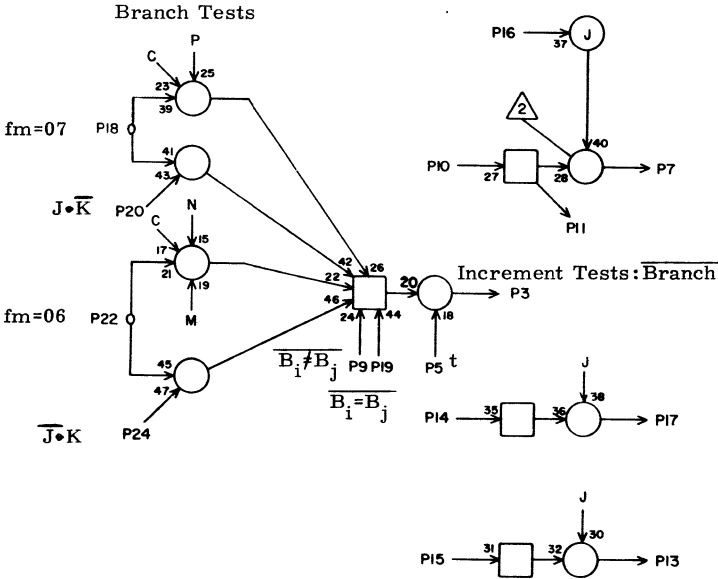
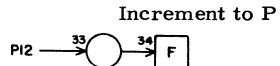
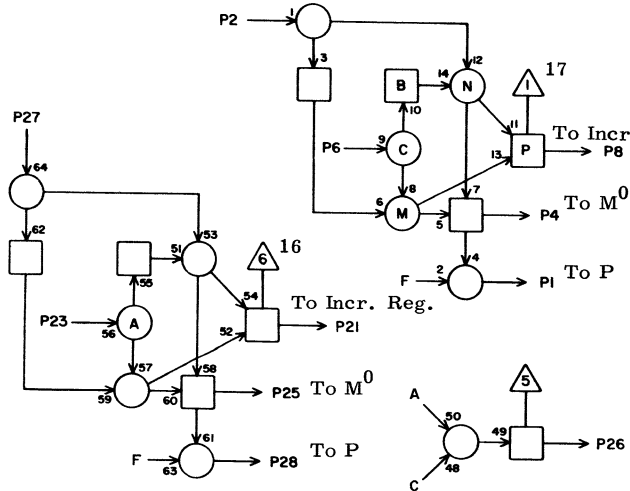
CD **5010**

1	P08	3	7
2	005	4	7
3	P26	28	19
4	P26	12	19
5	N37	26	27
6			
7	005	23	7
8	P26	4	60
9	P38	22	27
10	P07	3	7
11	P26	26	19
12	P26	18	19
13	N38	26	27
14	P26	6	60
15	N37	10	27
16	R37	19	29
17	P26	8	60
18	N38	10	27
19	P26	1	19
20			
21	P07	26	7
22	P26	2	19
23	P27	6	60
24	005	14	7
25	P27	18	19
26	P27	26	19
27	006	23	7
28	P08	26	7

JACK PIN LG

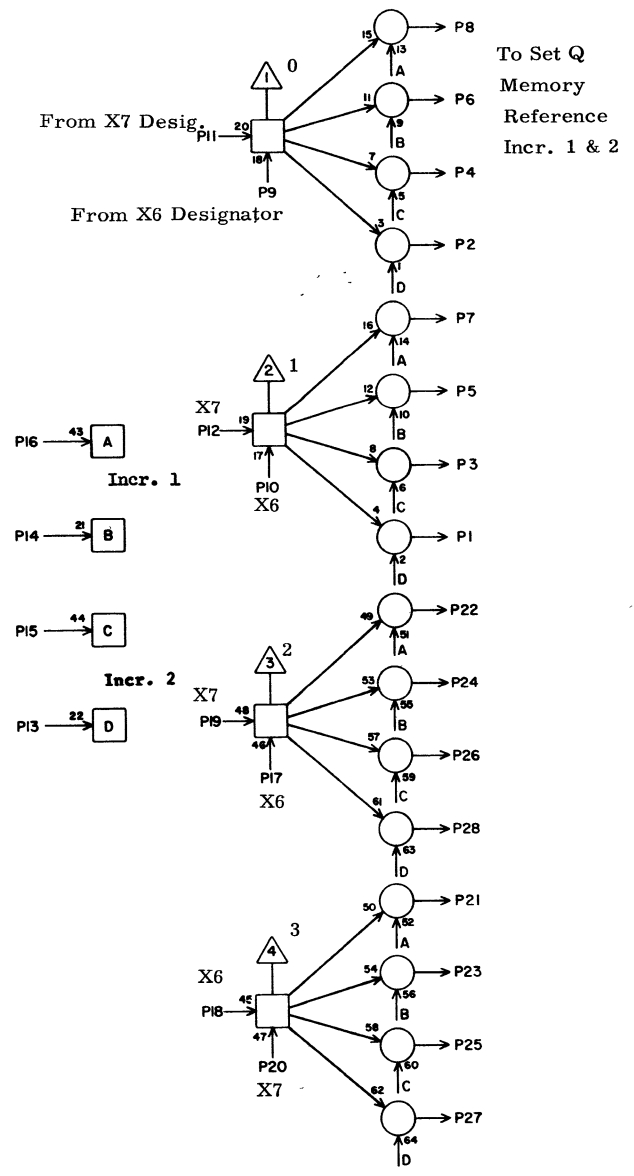
INCREMENT RESULT NETWORK **qs**

5011



1	N39	10	27
2	P27	28	19
3	L09	15	17
4	P09	26	11
5	N09	2	31
6	P27	4	60
7	H05	2	31
8	Ø06	4	9
9	R37	14	29
10	Ø13	28	5
11	M11	1	35
12	P38	24	29
13	H07	2	31
14	N23	6	15
15	N23	12	15
16	Q33	5	25
17	H06	2	31
18	R38	8	29
19	R37	15	29
20	Ø30	19	180
21	Ø06	14	9
22	R38	7	29
23	P27	8	21
24	Ø30	16	180
25	P09	3	9
26	R37	17	29
27	P27	2	21
28	N39	26	29

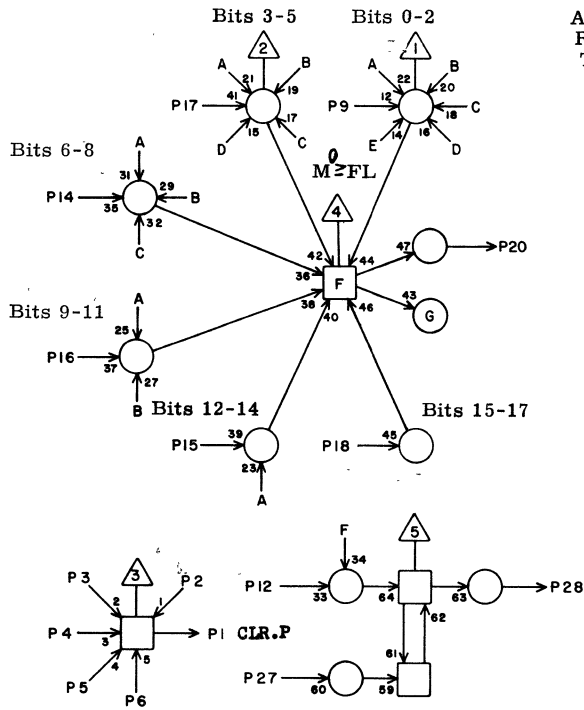
JACK PIN LG
CIRCUIT SPECIFICATION I1827600
60150800 Rev. AF



IR **5012**

1			
2			
3	I20	9	25
4	I20	13	25
5			
6			
7	I19	9	27
8	I19	13	27
9	H07	19	31
10	H07	17	31
11	H08	19	31
12	H08	17	31
13			
14			
15	G27	16	37
16	G26	11	37
17	H07	11	31
18	H07	13	31
19	H08	11	31
20	H08	13	31
21	I19	14	27
22	I19	10	27
23			
24			
25	I20	14	25
26	I20	10	25
27			
28			

JACK PIN LG



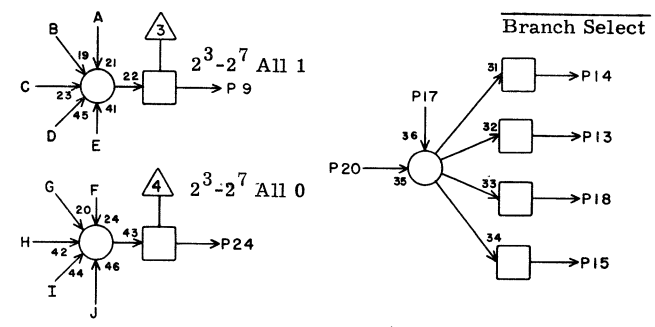
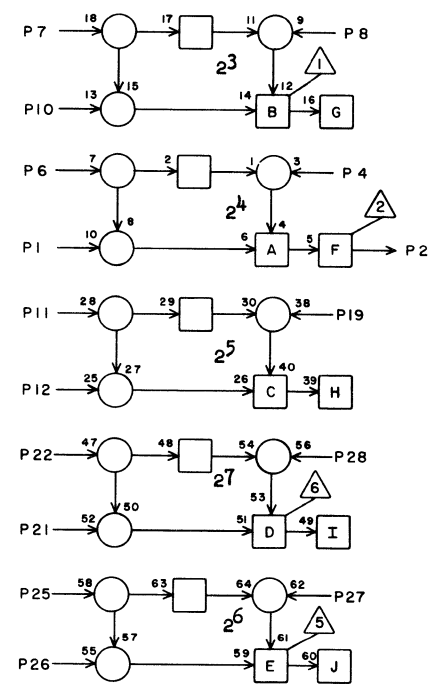
ADDRESS RANGE TEST

HZ 5013

1	Q38	23	21
2	I02	28	27
3	Q04	28	15
4	P10	4	7
5	R38	14	29
6	M23	9	18
7	Q02	10	15
8	Q02	17	15
9	Q01	1	13
10	Q01	17	15
11	Q03	17	15
12	H08	1	31
13	Q03	10	15
14	Q02	1	15
15	Q03	1	15
16	Q02	28	15
17	Q01	28	17
18	Q06	15	13
19	Q23	15	15
20	H08	15	31
21	Q24	15	13
22	Q22	15	13
23	M21	24	17
24	P37	25	25
25	O36	19	23
26	P36	21	25
27	N25	21	15
28	O11	10	5

JACK PIN LG

(R-P) SIGN AREA TEST

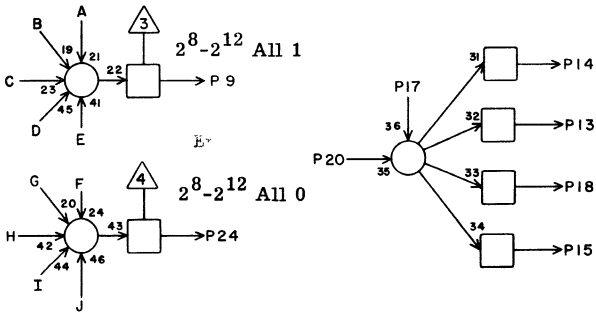
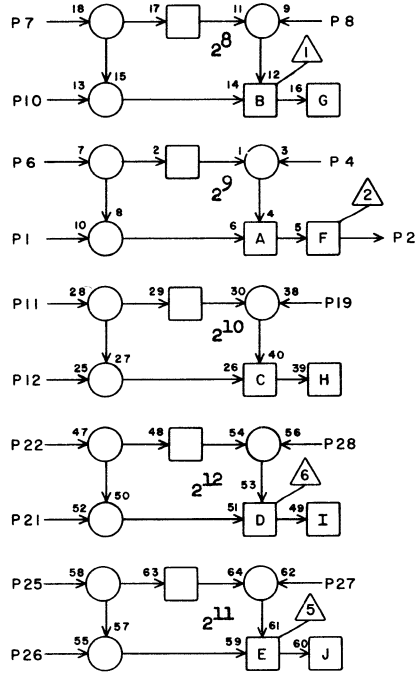


JR 5014

1	P29	2	17
2			
3			
4	P29	1	17
5			
6	P29	8	17
7	P29	6	17
8	P29	18	17
9	E31	18	43
10	P29	26	17
11	P29	4	17
12	P29	28	17
13			
14	L02	17	11
15			
16			
17	M10	17	11
18			
19	P29	12	19
20	M09	21	11
21	P30	2	17
22	P30	8	17
23			
24	F38	14	45
25	P30	6	17
26	P30	26	17
27	P30	18	17
28	P30	1	17

JACK PIN LG

(R-P) SIGN AREA TEST



JR

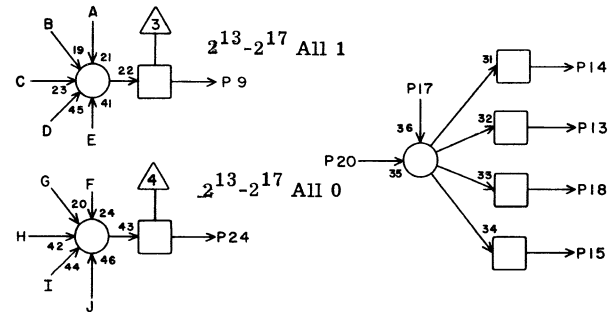
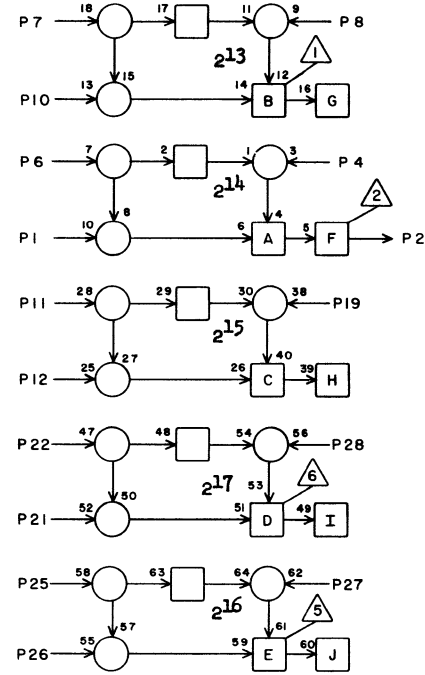
5015

1	P31	26	19
2			
3			
4	P41	18	19
5			
6	P31	6	19
7	P30	4	19
8	P30	12	19
9	F38	13	23
10	F30	28	17
11	P31	8	19
12	P31	2	19
13	H31	14	84
14	H31	19	86
15			
16			
17	L15	17	15
18			
19	P31	1	19
20	I24	14	29
21	P32	26	19
22	P32	6	19
23			
24	F38	16	41
25	P31	4	19
26	P31	28	19
27	P31	12	19
28	P32	18	19

JACK PIN LG

60150800 Rev. B

(R-P) SIGN AREA TEST



JR

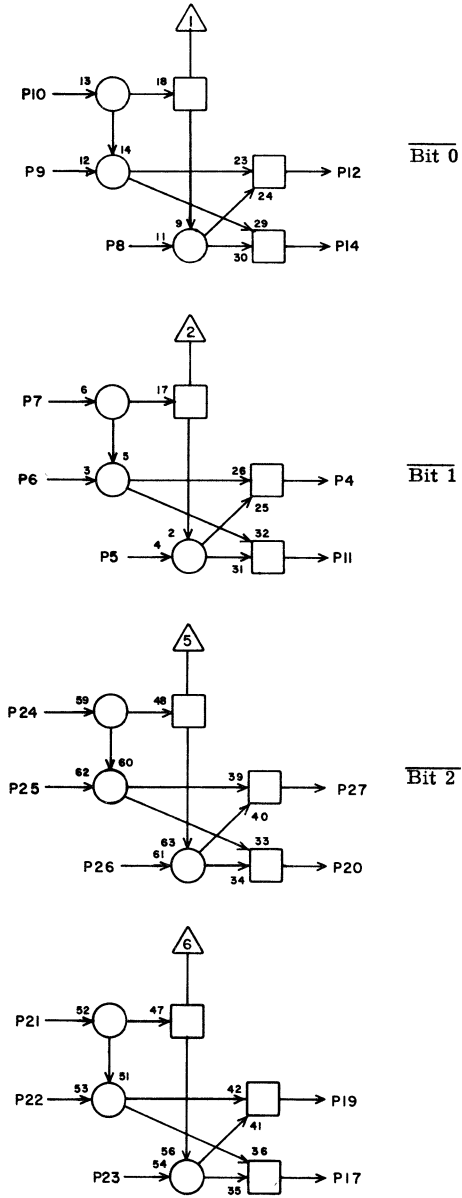
5016

1	P32	28	19
2			
3			
4	P32	12	19
5			
6	P32	4	19
7	P32	8	19
8	P32	1	19
9	F38	15	41
10	P32	2	19
11	F33	6	19
12	P33	26	19
13	K20	17	19
14	P10	2	84
15			
16			
17	R38	13	25
18			
19	P33	18	19
20	R37	28	25
21	P33	28	19
22	P33	4	19
23			
24	F38	18	41
25	P33	8	19
26	P33	2	19
27	P33	1	19
28	P33	12	19

JACK PIN LG

60150800 Rev. M

(R-P) RESULT NETWORK

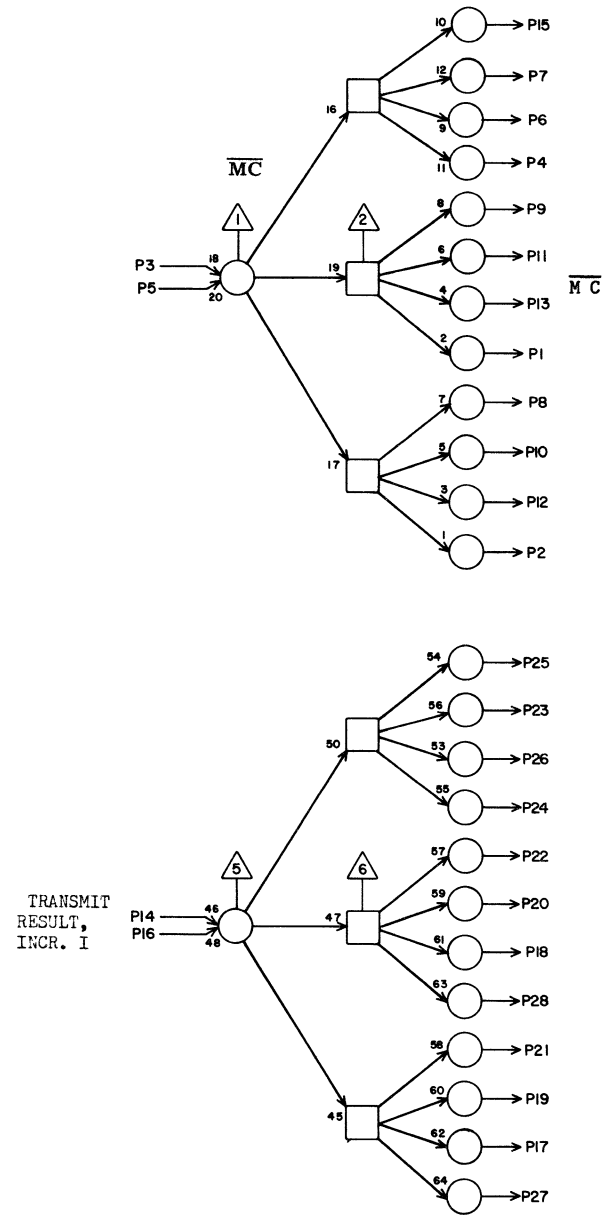


TJ 5017

1			
2			
3			
4	F38	26	41
5	P28	2	13
6	P28	1	13
7	P28	8	15
8	P28	26	15
9	P28	18	15
10	P28	6	15
11			
12	F38	19	11
13			
14			
15			
16			
17			
18			
19	L01	3	21
20			
21	N30	27	15
22	M10	16	22
23	D02	5	49
24	P28	4	15
25	P28	12	15
26	P28	28	15
27	F38	24	41
28			

JACK PIN LG

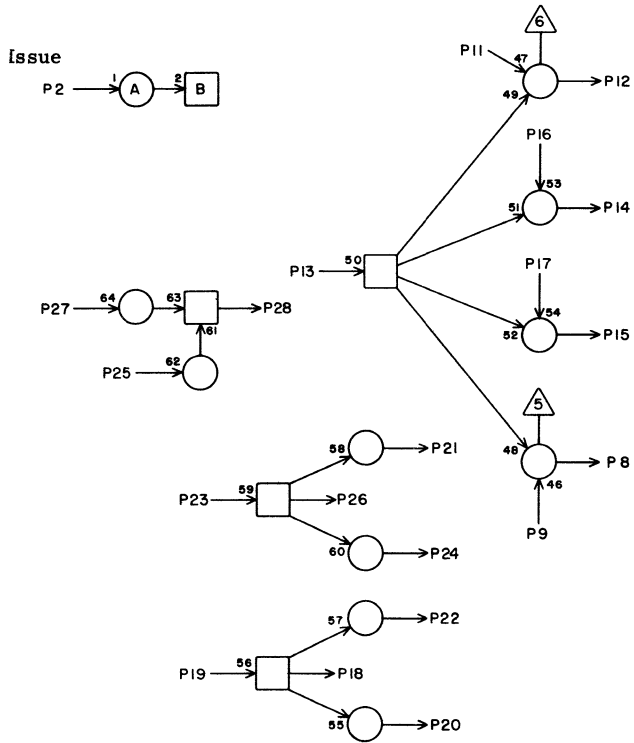
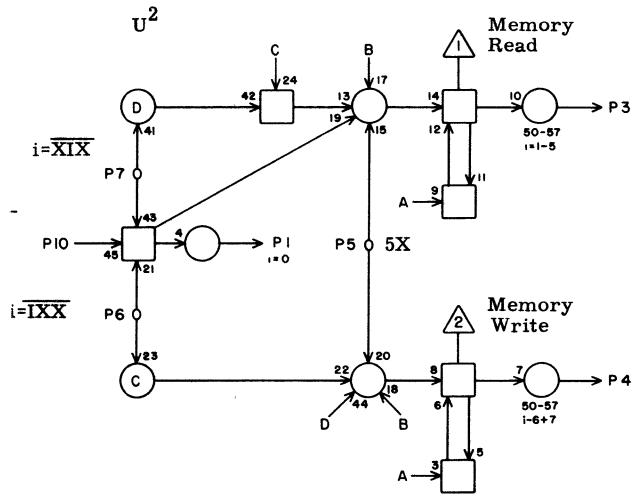
MASTER CLEAR



TC 5018

1			
2			
3	Q32	23	23
4	K07	6	21
5			
6	K06	12	21
7	K05	12	23
8			
9			
10			
11			
12			
13			
14	R32	25	21
15			
16			
17			
18	P07	14	15
19			
20	P06	14	15
21	P09	14	13
22	P05	14	15
23	P02	14	19
24	P04	14	15
25	P01	14	19
26	P03	14	19
27			
28	P08	14	13

JACK PIN LG

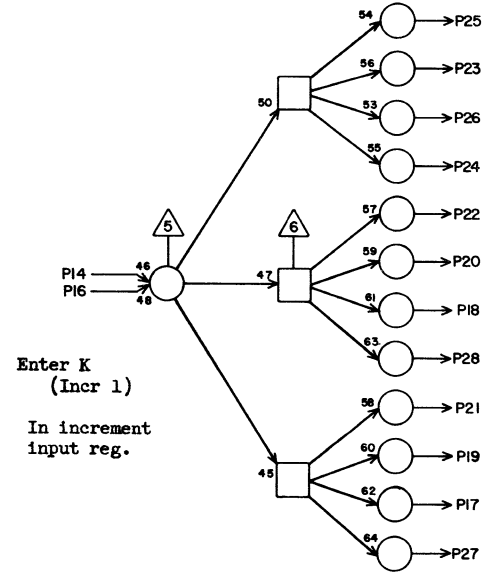
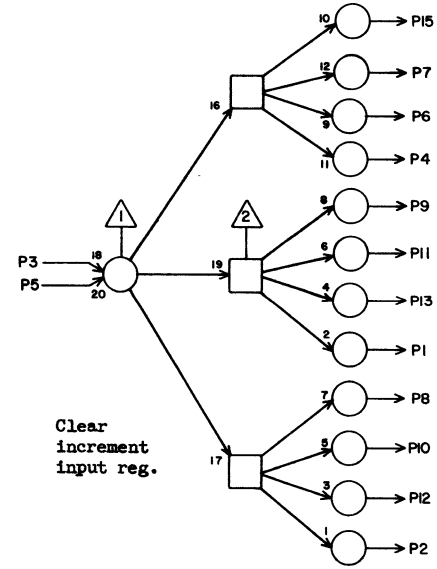


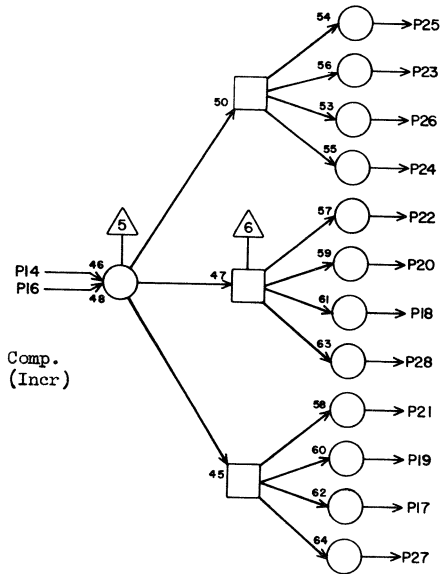
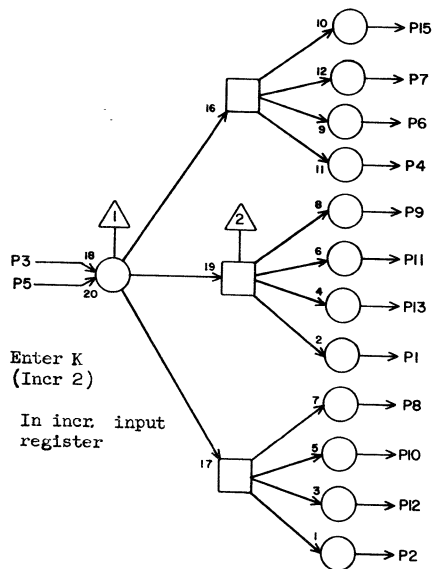
CI			
5019			
1	F32	25	37
2	E28	9	43
3	G26	6	33
4	G26	8	33
5	C18	12	47
6	D24	27	43
7	D23	27	43
8	N14	21	7
9	M31	7	17
10	D22	27	43
11	M31	9	17
12	N13	21	7
13	I26	17	27
14	N12	21	11
15	N11	21	13
16	M31	11	17
17	M31	13	17
18	R31	5	180
19	M33	2	19
20	L06	18	19
21	L02	18	23
22	L07	18	19
23	M33	27	19
24	L03	18	21
25	R31	6	19
26	R31	8	180
27	R31	3	19
28	R31	23	19
	JACK	PIN	LG

60150800 Rev. B

TC			
5020			
1	029	21	13
2			
3	R39	9	43
4	025	21	7
5			
6	024	21	7
7	023	21	7
8	030	12	13
9	026	21	7
10			
11	027	21	7
12			
13	028	21	11
14	021	8	180
15	022	21	5
16			
17			
18	028	10	11
19			
20	027	10	7
21	030	10	13
22	026	10	9
23	023	10	7
24	025	10	7
25	022	10	7
26	024	10	7
27			
28	029	10	13
	JACK	PIN	LG

60150800 Rev. RAS





TC

5021

1	029	14	11
2			
3	021	6	180
4	025	14	7
5			
6	024	14	5
7	023	14	5
8	030	14	11
9	026	14	7
10			
11	027	14	7
12			
13	028	14	7
14	021	21	180
15	022	14	5
16	021	18	180
17			
18	028	17	9
19			
20	027	17	9
21	030	17	11
22	026	17	9
23	023	17	5
24	025	17	7
25	022	17	5
26	024	17	7
27			
28	029	17	11

JACK PIN LG

60150800 Rev. AS

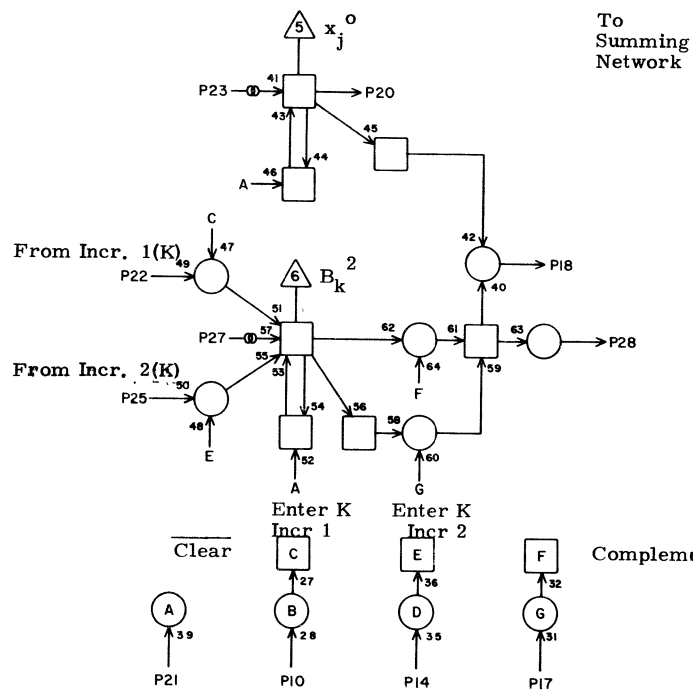
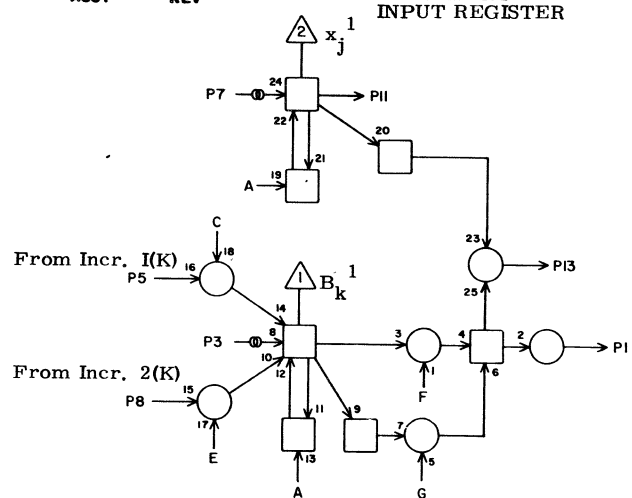
LS 63049800
ASSY

B
REV

INCREMENT
INPUT REGISTER

JA

5022



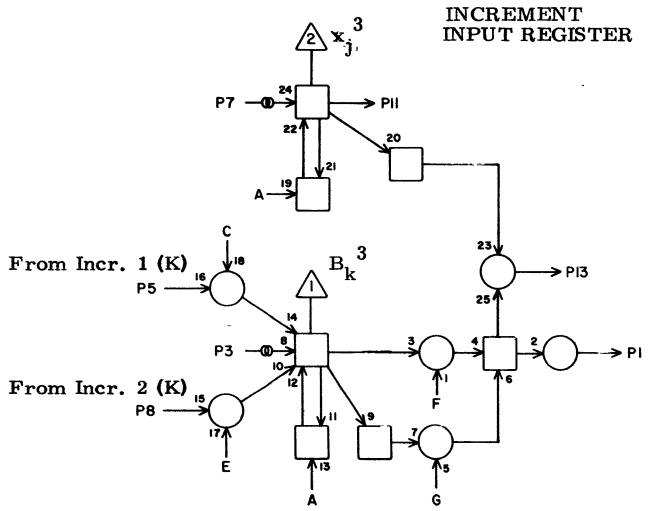
1	P22	19	9
2			
3	W37	901	
4			
5	P01	28	23
6			
7	W36	901	
8	P01	24	23
9			
10	O20	25	7
11	P22	17	132
12			
13	P22	15	5
14	O21	15	5
15			
16			
17	O21	25	5
18	P22	13	7
19			
20	P22	9	84
21	O20	15	5
22	P01	8	23
23	W36	900	
24			
25	P01	12	23
26			
27	W37	900	
28	P22	11	7

JACK PIN LG

CIRCUIT SPECIFICATION 11827600

60150800 Rev B

5022

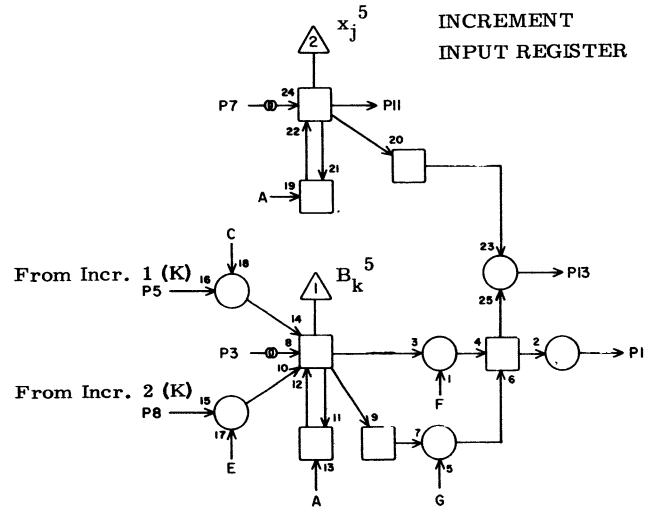
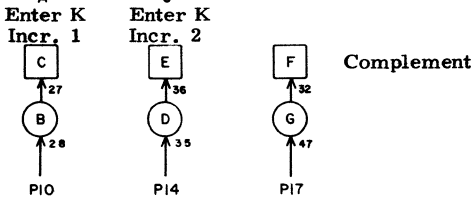
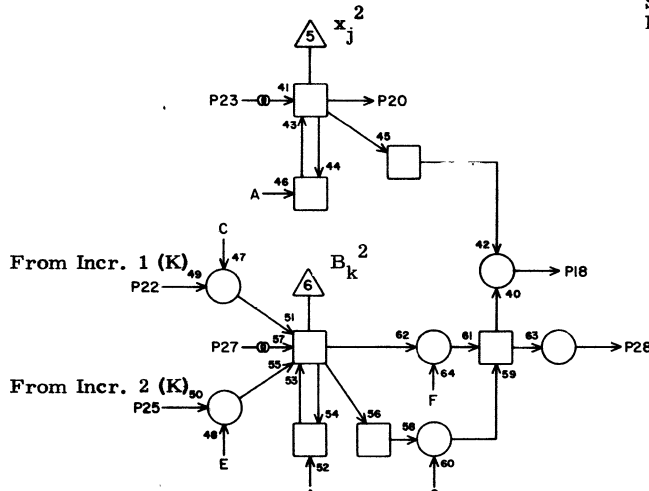


JA 5023

1	P23	11	7
2			
3	W37	903	
4			
5	P02	28	23
6			
7	W36	903	
8	P02	24	23
9			
10	020	23	7
11	P23	9	84
12			
13	P23	13	7
14	021	7	5
15			
16			
17	021	23	7
18	P22	3	7
19			
20	P22	5	84
21	020	7	7
22	P02	8	23
23	W36	902	
24			
25	P02	12	23
26			
27	W37	902	
28	P22	7	7

JACK PIN LG

To Summing Network

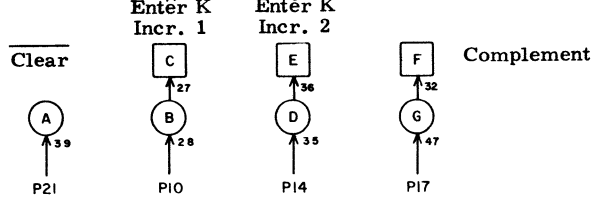
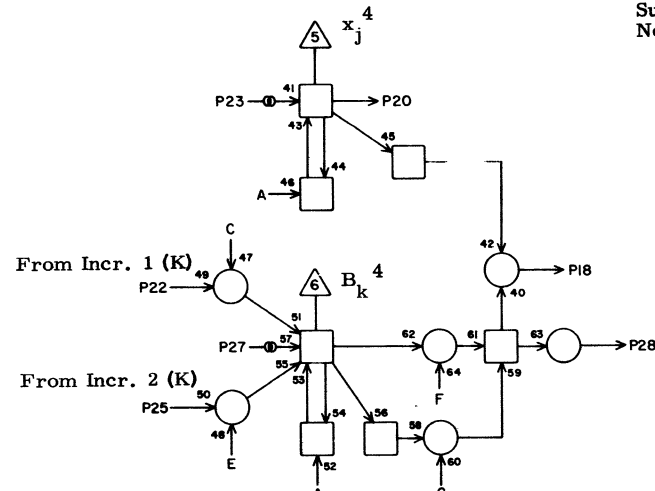


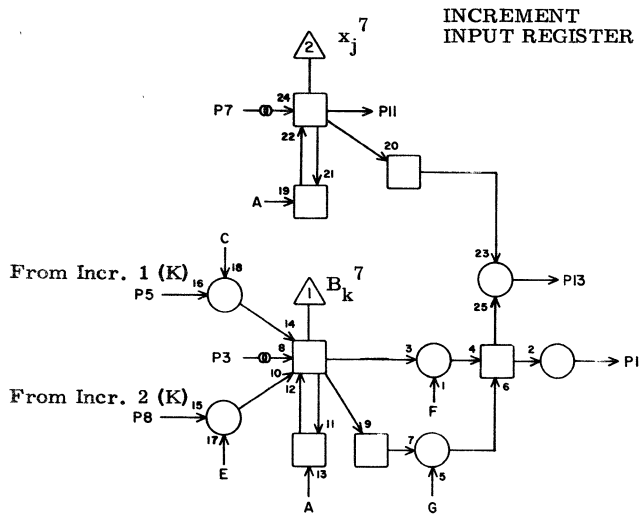
JA 5024

1	P23	7	7
2			
3	W37	905	
4			
5	P03	28	23
6			
7	W36	905	
8	P03	24	23
9			
10	020	26	7
11	P23	5	84
12			
13	P23	3	7
14	021	6	5
15			
16			
17	021	26	7
18	023	15	7
19			
20	P23	17	84
21	020	6	7
22	P03	8	23
23	W36	904	
24			
25	P03	12	23
26			
27	W37	904	
28	P23	19	7

JACK PIN LG

To Summing Network

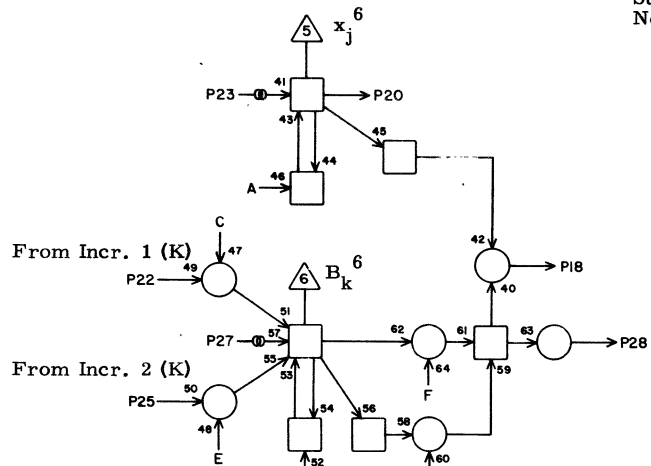




JA

5025

1	P24	19	9
2			
3	W37	907	
4			
5	P04	28	23
6			
7	W36	907	
8	P04	24	23
9			
10	020	24	7
11	P24	17	84
12			
13	P24	15	7
14	021	4	7
15			
16			
17	021	24	5
18	P24	13	7
19			
20	P24	9	84
21	020	4	7
22	P04	8	23
23	W36	906	
24			
25	P04	12	23
26			
27	W37	906	
28	P24	11	7

To
Summing
Network

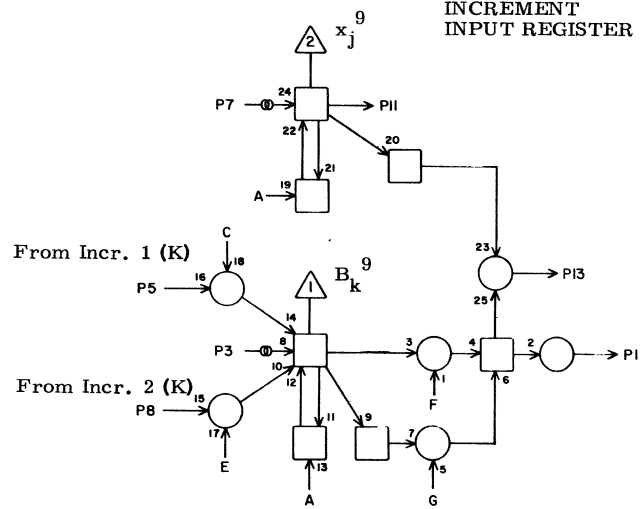
Clear

Enter K
Incr. 1Enter K
Incr. 2

Complement



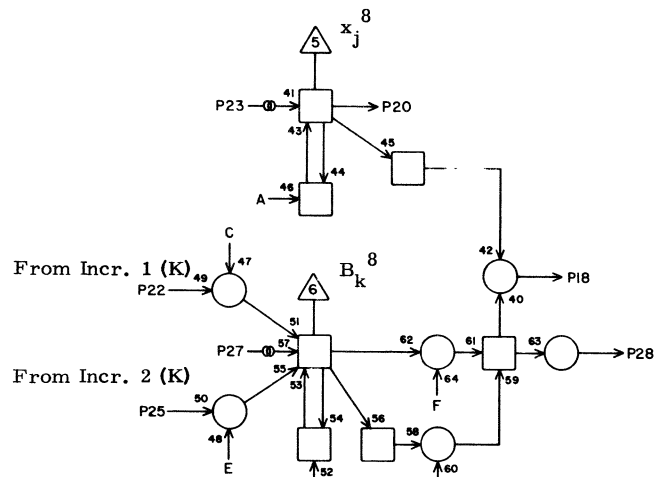
60150800 Rev. J

**INCREMENT
INPUT REGISTER**

JA

5026

1	P23	11	9
2			
3	W37	90	
4			
5	P05	28	23
6			
7	W36	90	
8	P05	24	23
9			
10	020	22	9
11	P25	9	84
12			
13	P25	13	7
14	021	9	7
15			
16			
17	021	22	9
18	P24	3	7
19			
20	P24	5	84
21	020	9	7
22	P05	8	23
23	W36	908	
24			
25	P05	12	23
26			
27	W37	908	
28	P24	7	7

To
Summing
Network

Clear

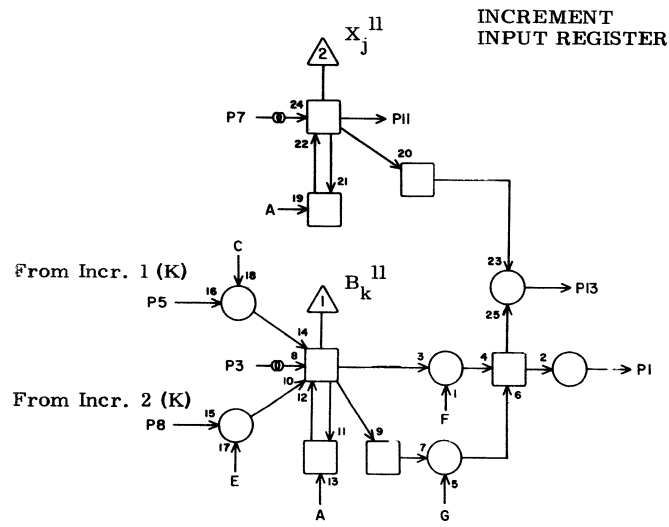
Enter K
Incr. 1Enter K
Incr. 2

Complement

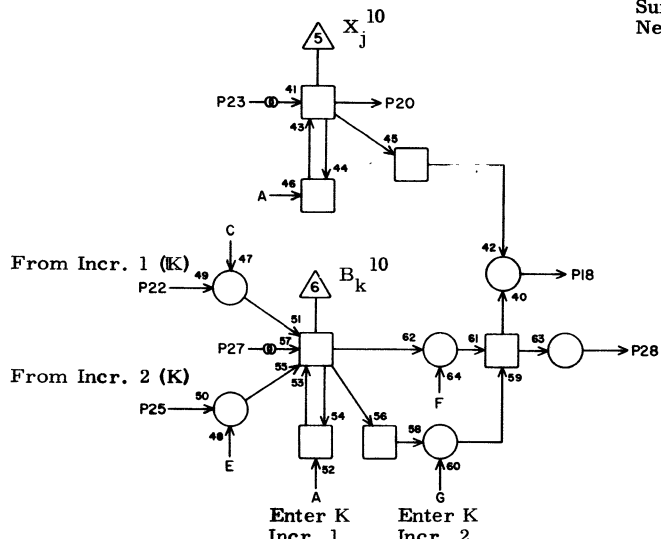


5026

60150800 Rev. L



To Summing Network

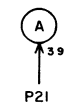


Enter K
Incr. 1

Enter K
Incr. 2

Complement

Clear



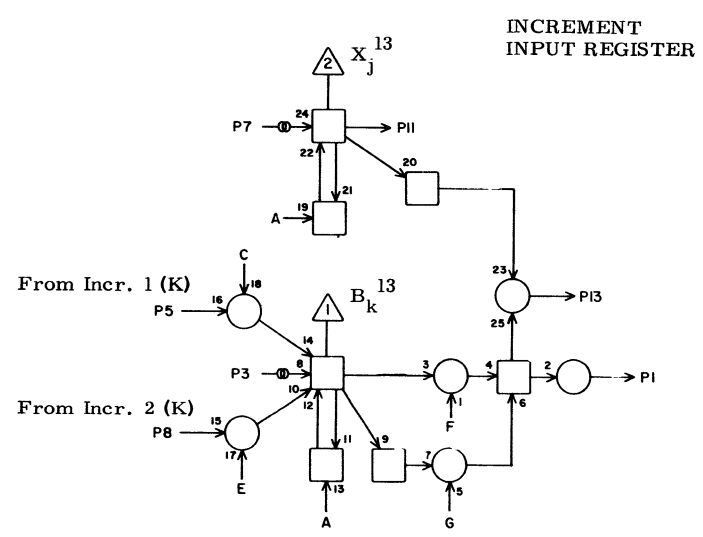
JA

5027

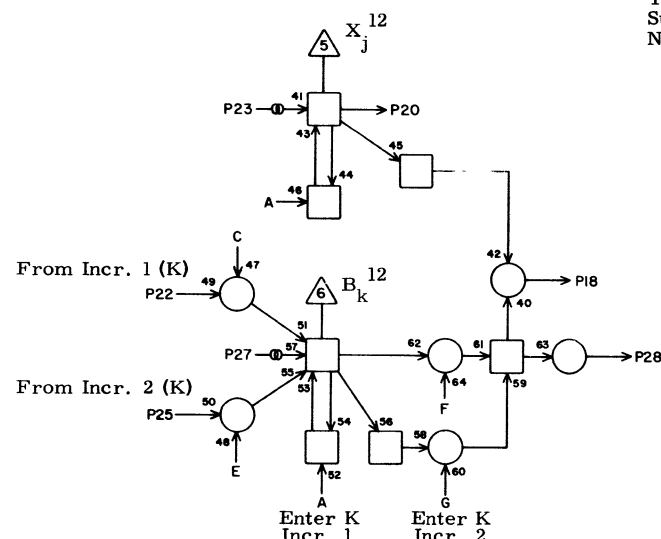
1	P25	7	7
2			
3	W37	92	
4			
5	P06	28	23
6			
7	W36	92	
8	P06	24	23
9			
10	020	20	7
11	P25	5	84
12			
13	P25	3	7
14	021	11	7
15			
16			
17	021	20	9
18	P25	15	7
19			
20	P25	17	84
21	020	11	9
22	P06	8	23
23	W36	91	
24			
25	P06	12	23
26			
27	W37	91	
28	P25	19	7

JACK PIN LG

60150800 Rev. B



To Summing Network

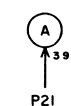


Enter K
Incr. 1

Enter K
Incr. 2

Complement

Clear



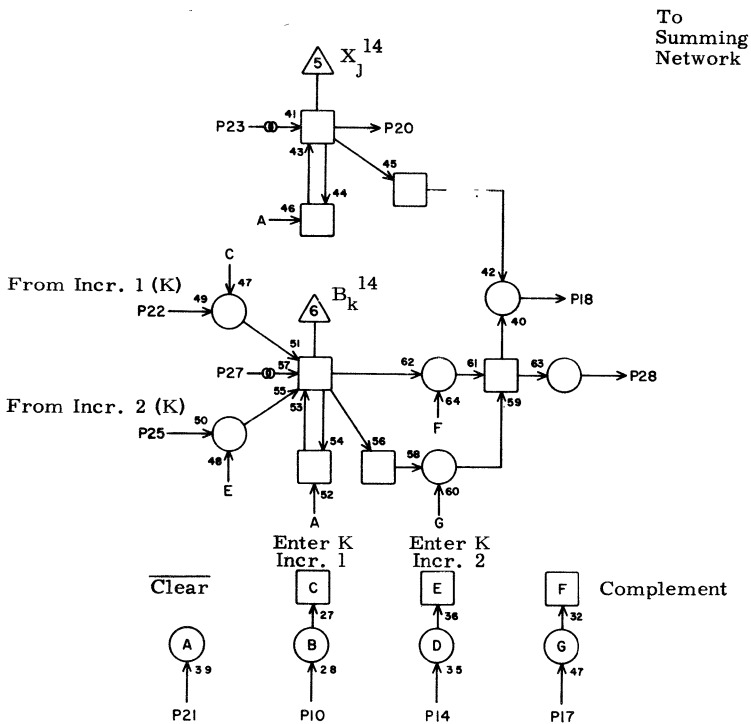
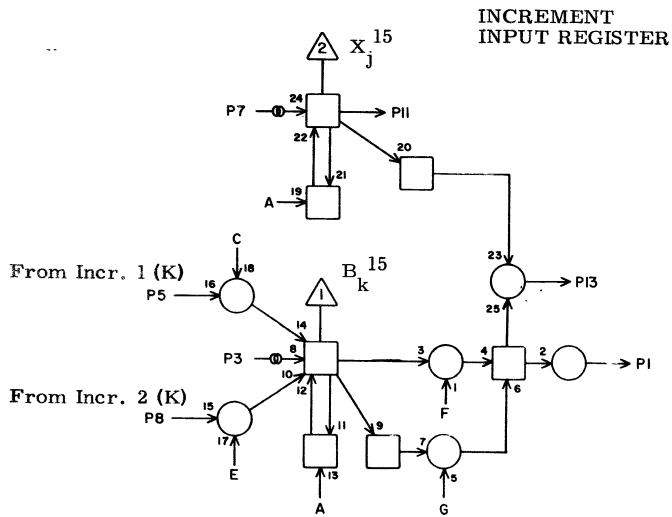
JA

5028

1	P26	19	7
2			
3	W37	94	
4			
5	P07	28	23
6			
7	W36	94	
8	P07	24	23
9			
10	020	18	11
11	P26	17	84
12			
13	P26	15	7
14	021	13	7
15			
16			
17	021	18	9
18	P26	13	7
19			
20	P26	9	84
21	020	13	11
22	P07	8	23
23	W36	93	
24			
25	P07	12	23
26			
27	W37	93	
28	P26	11	7

JACK PIN LG

60150800 Rev. B



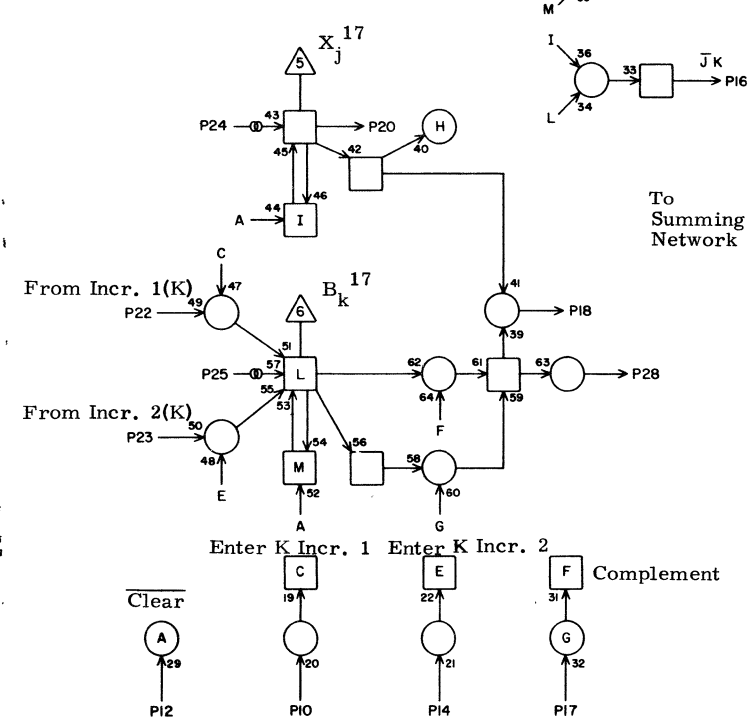
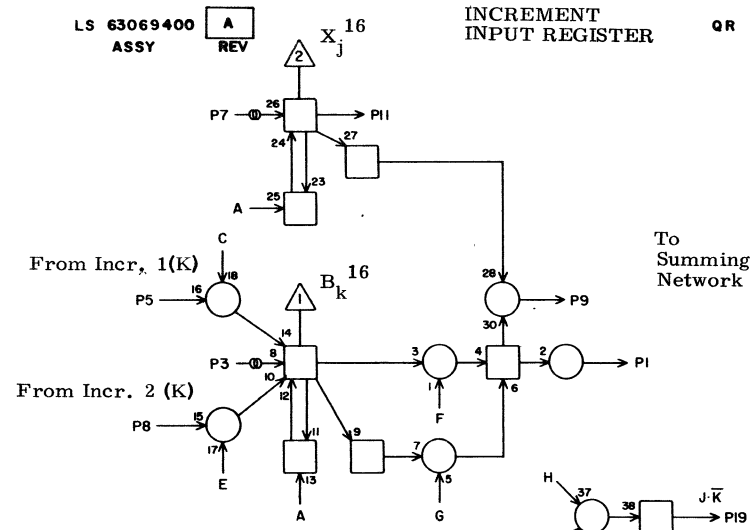
JA

5029

1	P27	11	7
2			
3	W37	96	
4			
5	P08	28	23
6			
7	W36	96	
8	P08	24	23
9			
10	020	28	13
11	P27	9	84
12			
13	P27	13	7
14	021	1	11
15			
16			
17	021	28	11
18	P26	3	7
19			
20	P26	5	84
21	020	1	11
22	P08	8	23
23	W36	95	
24			
25	P08	12	23
26			
27	W37	95	
28	P26	7	7

JACK PIN LG

60150800 Rev. A



5030

5030

1	P27	19	11
2			
3	W37	97	
4			
5	P09	8	23
6			
7	W36	97	
8	P09	12	23
9	P27	15	7
10	020	21	13
11	P27	17	84
12	020	8	13
13			
14	021	8	11
15			
16	011	24	180
17	021	21	11
18	P27	3	7
19	011	20	180
20	P27	5	84
21			
22	P09	28	23
23	P09	24	23
24	W36	98	
25	W37	98	
26			
27			
28	P27	7	7

JACK PIN LG

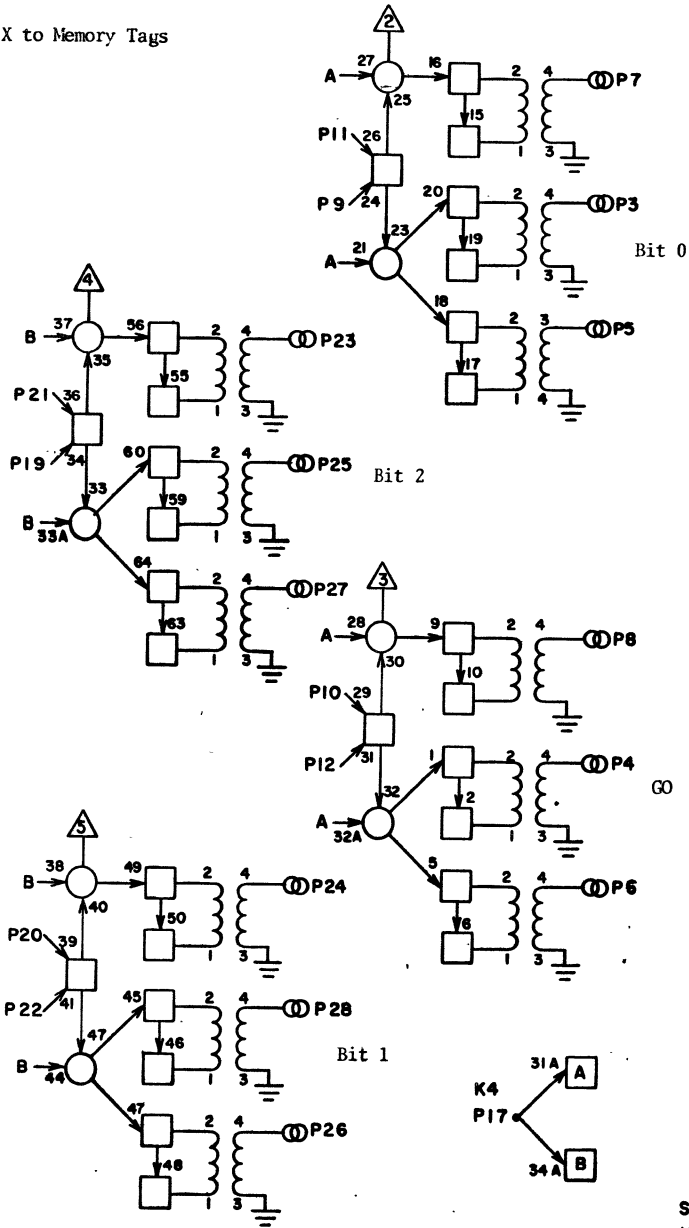
CIRCUIT SPECIFICATION 11827600

60150800 Rev. AU

AI

5031

X to Memory Tags



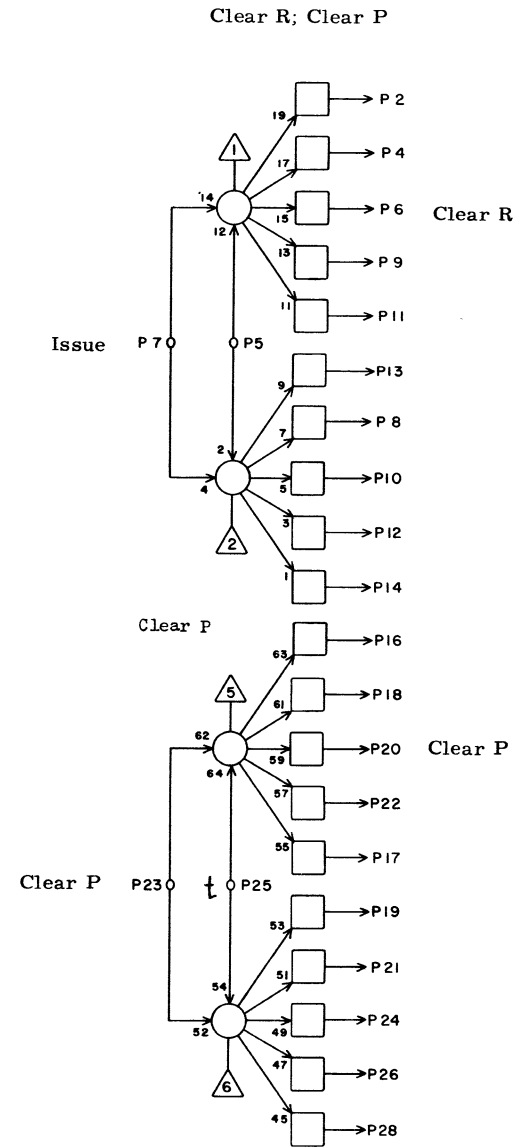
JACK	PIN	LG
1		
2		
3	W26	905
4	W21	905
5	W25	905
6	W25	904
7	W21	906
8	W26	904
9	P35	4 7
10	P36	1 11
11		
12	O38	9 13
13		
14		
15		
16		
17	P42	19 15
18		
19	P35	25 11
20	P35	1 9
21		
22		
23	W25	907
24	W21	907
25	W26	907
26	W25	906
27	W21	908
28	W26	906

SEE CIRCUIT SPECIFICATION
 11827600

60150800 Rev. AW

HC

5052



JACK	PIN	LG
1		
2	N38	13 11
3		
4	N34	15 5
5		
6	N33	13 1
7	F34	3 37
8	N39	13 13
9	G40	3 33
10	N35	13 7
11	N36	13 7
12	N32	13 5
13	N37	13 11
14	N31	13 5
15		
16	N31	18 5
17	N35	18 7
18	N32	18 5
19	N36	18 7
20	N33	18 5
21	N37	18 11
22	N34	18 7
23	O13	1 21
24	N38	18 11
25	P11	21 120
26	N39	18 13
27		
28	H24	28 31

JACK PIN LG

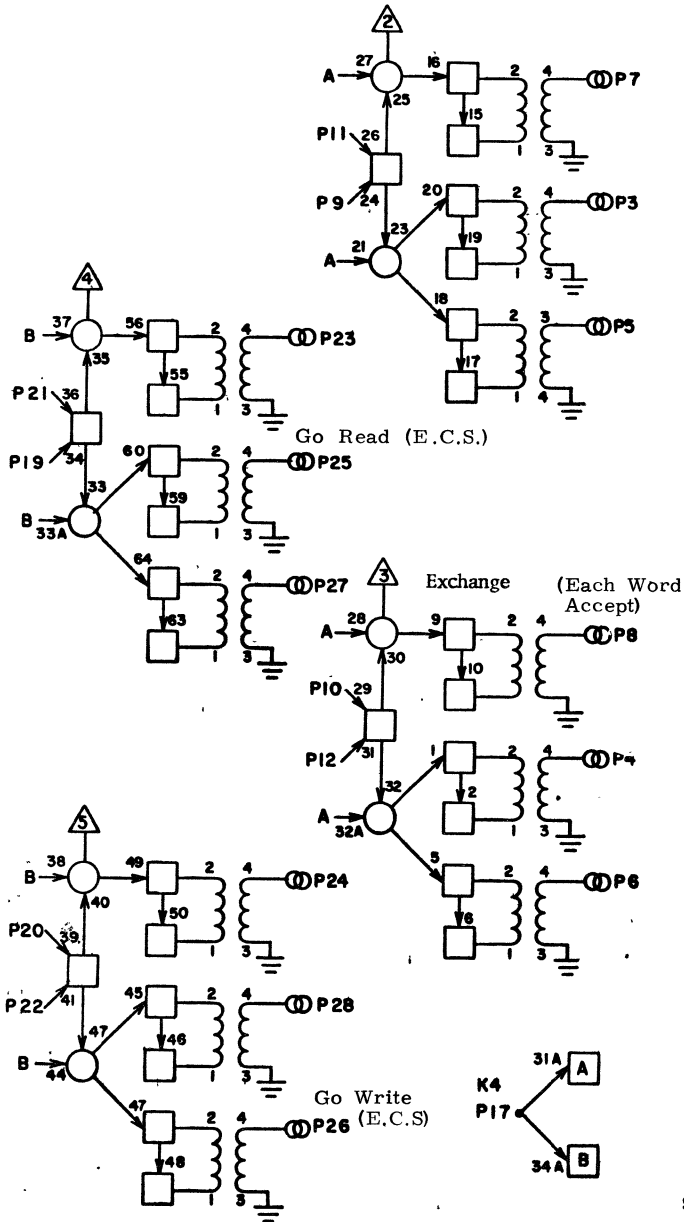
60150800 Rev. L

LS 18056900
ASSY

A
REV

AI

50-33



1			
2			
3			
4	W21	904	
5			
6	W25	93	
7			
8	W26	91	
9	Q18	25	21
10	Q20	11	17
11	O33	X	2
12			
13			
14			
15			
16			
17	H17	2	120
18			
19			
20	Q18	26	21
21	Q18	27	21
22			
23			
24			
25	W21	92	
26	W21	93	
27			
28			

JACK PIN LG
SEE CIRCUIT SPECIFICATION
11827600

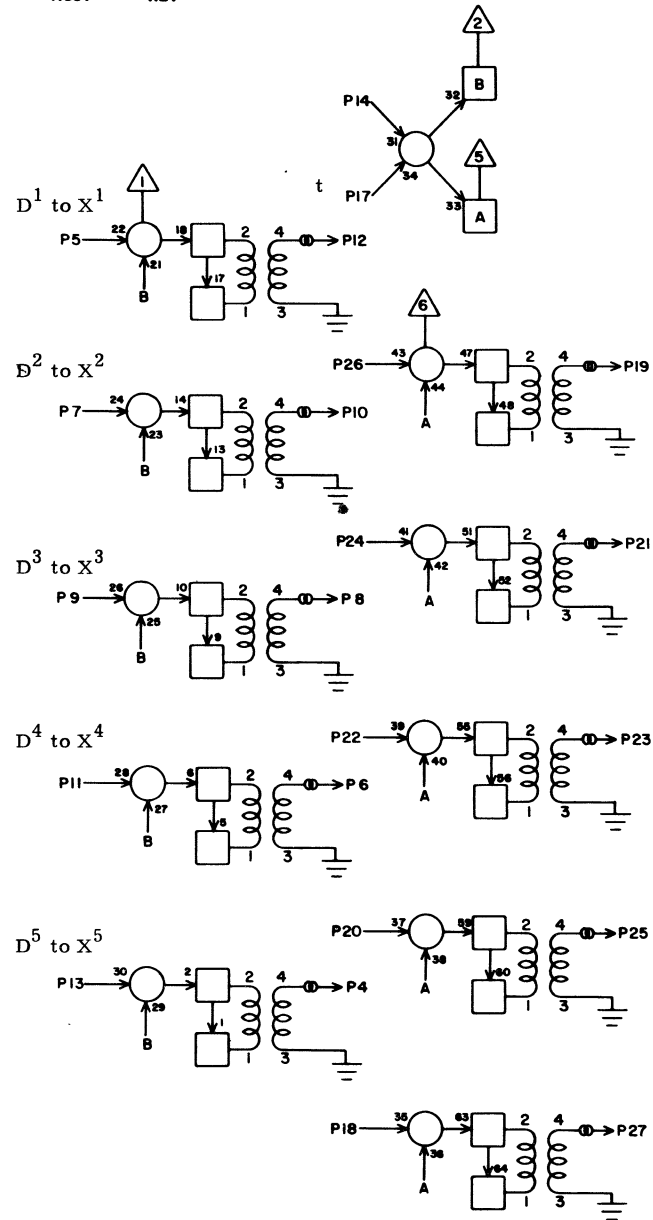
60150800 Rev. BB

LS 63051400
ASSY

C
REV

JQ

5034



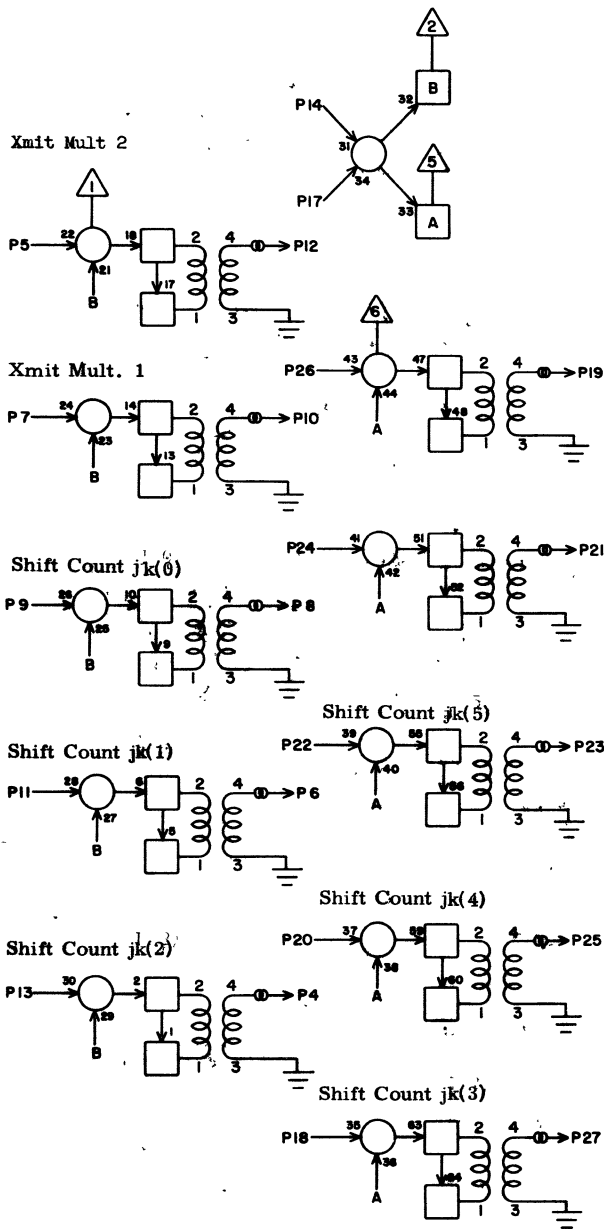
1			
2			
3			
4	W25	98	
5	K24	15	21
6	W25	903	
7	K25	15	21
8	W25	902	
9	L23	15	19
10	W25	901	
11	L24	15	19
12	W25	900	
13	L25	15	17
14	O34	X	2
15			
16			
17	I24	15	35
18	Q32	25	11
19	W13	908	
20			
21	W13	907	
22			
23			
24	K39	13	19
25			
26	K39	16	19
27	W21	99	
28			

JACK PIN LG
CIRCUIT SPECIFICATION 11827600

60150800 Rev. AG

5034

or machines with CEJ/MEJ Only.

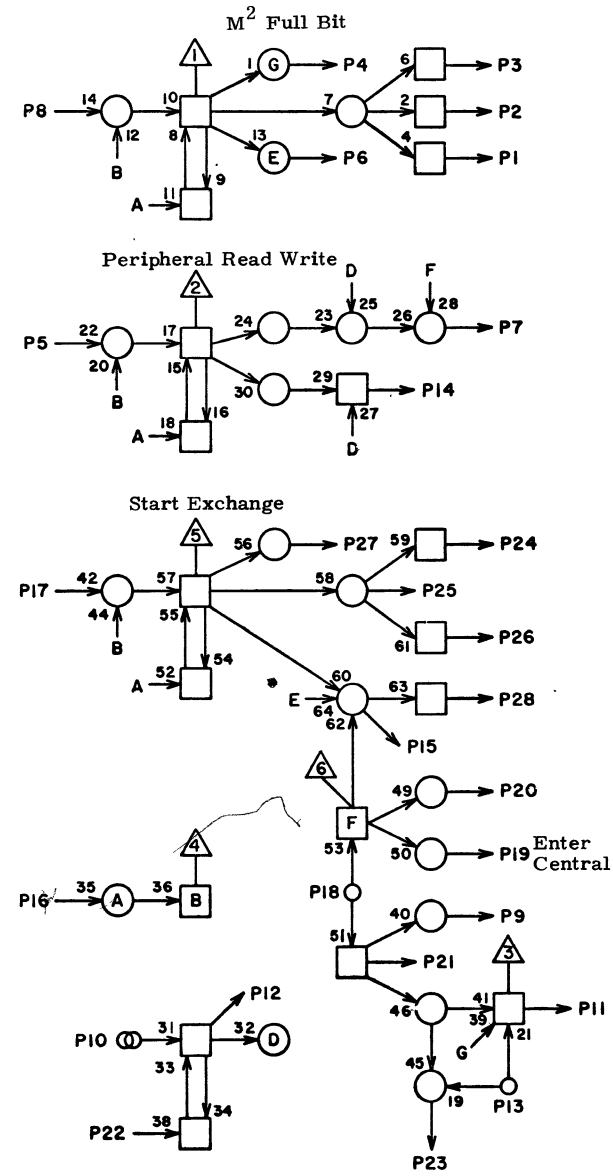


JQ		5035	
JACK	PIN	LG	
1			
2			
3			
4	W26	94	
5			
6	W26	93	
7			
8	W26	92	
9	E12	2	180
10			
11	E12	8	180
12			
13	E12	17	180
14	N09	7	156
15			
16			
17			
18	E13	2	180
19			
20	E13	21	180
21			
22	E13	28	180
23	W26	97	
24			
25	W26	96	
26			
27	W26	95	
28			

60150800 Rev. AG

LS 18058100 ASSY REV B

DY



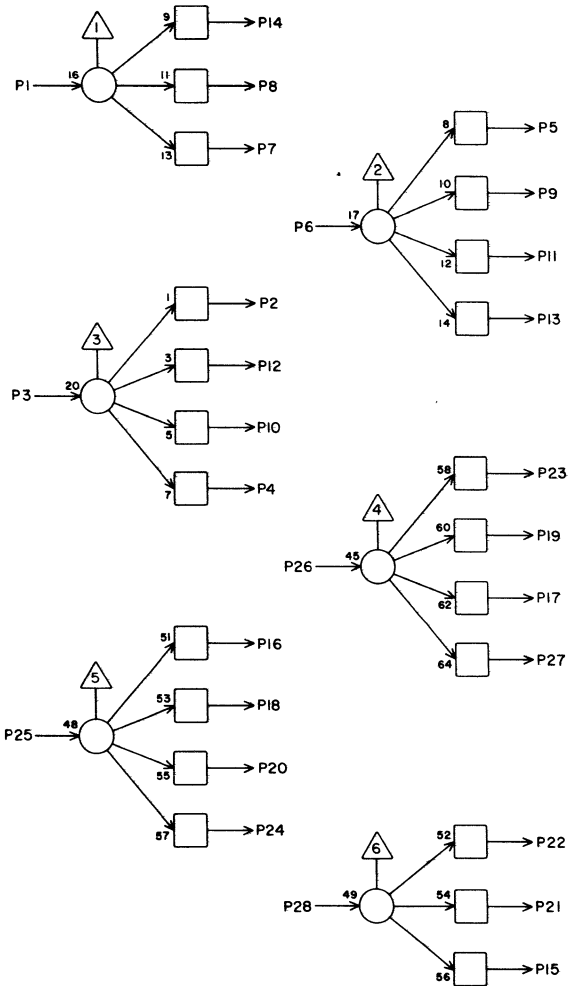
*For ECS Coupler Access and CEJ/MEJ Only.

5036

JACK	PIN	LG	
1	Q32	27	13
2			
3	Q06	8	27
4	Q33	26	13
5	Q06	7	29
6	P36	27	11
7	P37	24	7
8	O40	12	7
9	M33	19	13
10	W21	95	
11	M33	21	13
12	G40	1	132
13	P36	11	5
14	O41	14	53
15	P37	27	7
16	N09	1	27
17	O40	13	7
18	P37	7	7
19	O13	25	23
20	P37	8	7
21	O41	16	7
22	Q20	19	19
23	P37	6	21
24	N26	5	13
25	Q18	15	21
26	R39	22	13
27	O41	17	7
28	O40	9	7

CIRCUIT SPECIFICATION 11827600

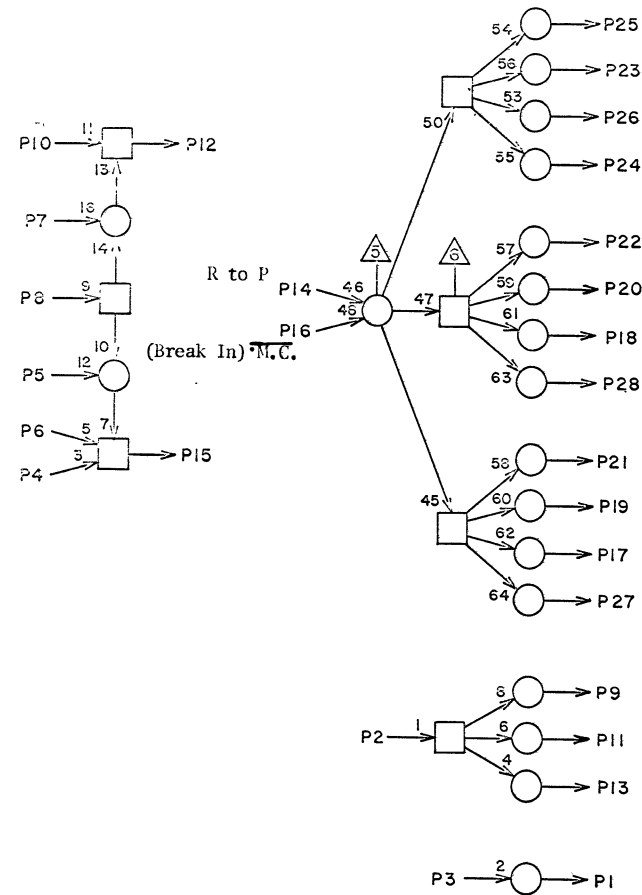
60150800 Rev. AZ



1	P39	25	9
2	Q13	26	31
3	G40	14	132
4	P19	15	19
5	H41	10	27
6	P39	26	9
7	H40	10	29
8	K37	13	19
9	K37	14	19
10			
11	K37	15	19
12			
13			
14			
15	I42	10	27
16	N40	15	7
17	N10	20	27
18	N41	15	7
19	R39	6	13
20	N42	15	9
21	K37	16	19
22			
23			
24			
25	F17	19	41
26	N23	11	19
27			
28	P39	18	9

JACK PIN LG
CIRCUIT SPECIFICATION 11827600

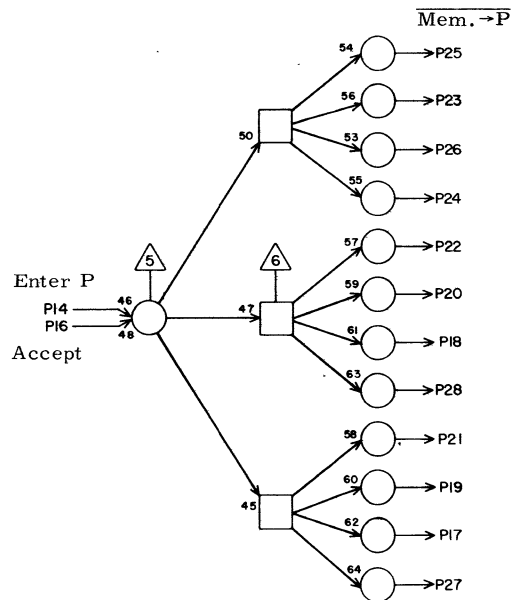
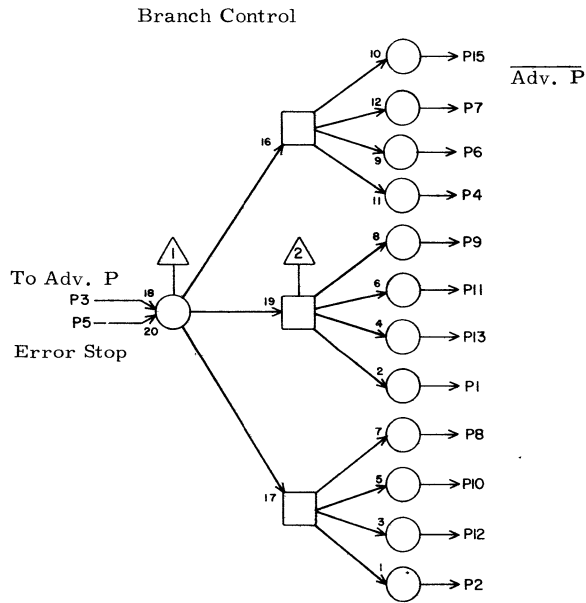
c



1	H03	23	41
2	Q18	28	33
3	R27	16	21
4	P40	20	7
5			
6	P40	16	7
7	P40	11	7
8	P40	18	7
9	O31	12	13
10	P40	9	7
11	Q20	24	23
12	K38	22	21
13	P19	6	23
14	P10	1	29
15	M11	25	29
16	K08	28	33
17			
18	N37	15	7
19			
20	N36	15	7
21	N39	15	7
22	N35	15	7
23	N32	15	11
24	N34	15	7
25	N31	15	11
26	N33	15	9
27			
28	N38	15	7

JACK PIN LG

CIRCUIT SPECIFICATION 11827600



TC 5039

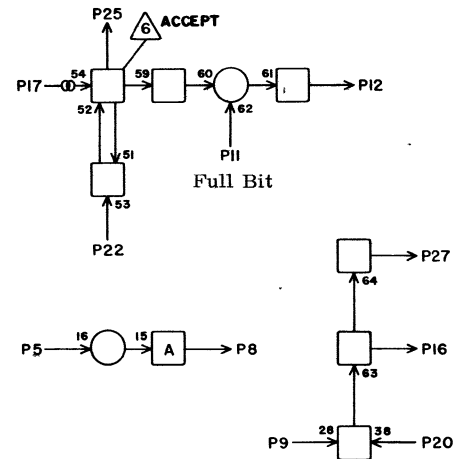
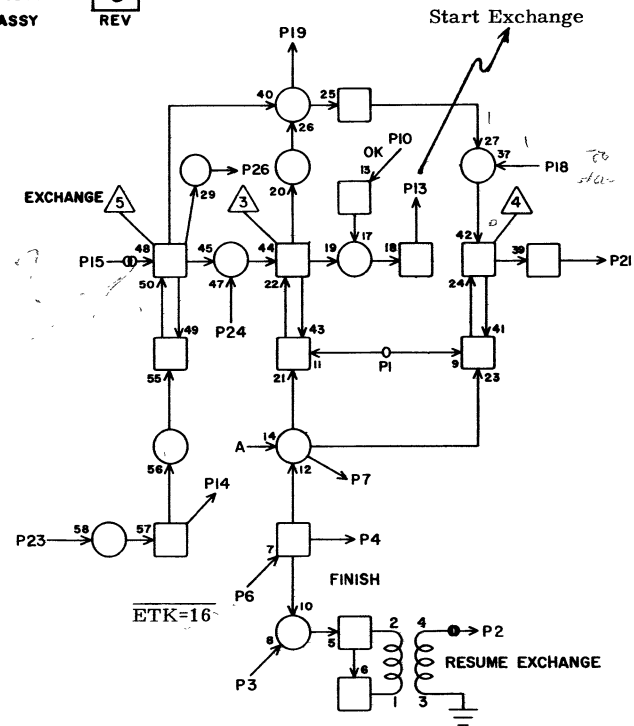
1	N38	16	5
2			
3	Q20	12	23
4	N34	16	11
5	K07	28	33
6	N33	16	11
7	N32	16	11
8	N39	16	7
9	N35	16	7
10			
11	N36	16	7
12			
13	N37	16	7
14	P32	1	47
15	N31	16	11
16	P38	16	7
17			
18	N37	11	7
19			
20	N36	11	7
21	N39	11	7
22	N35	11	9
23	N32	11	11
24	N34	11	11
25	N31	11	11
26	N33	11	11
27			
28	N38	11	7

JACK PIN LG

60150800 Rev. AZ

LS 63050800
ASSY

C
REV



JK

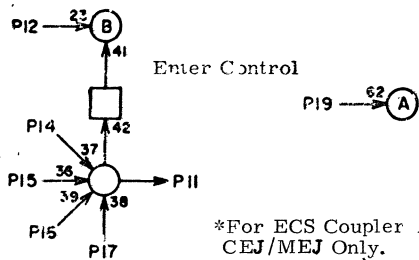
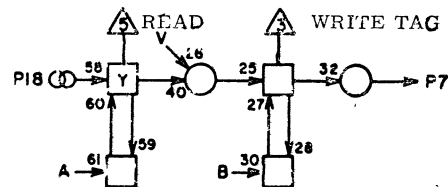
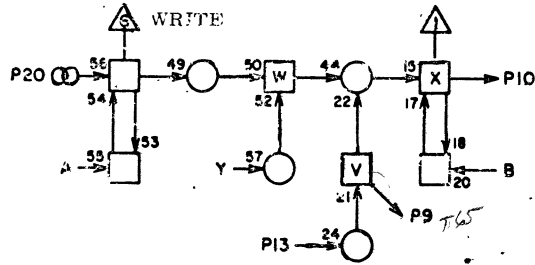
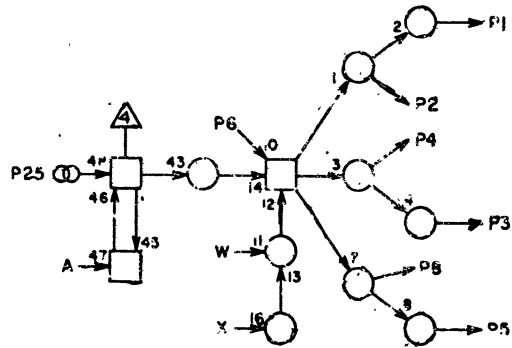
5040

1	M09	25	31
2	W24	90	
3	H19	22	108
4	A21	15	57
5	P41	25	9
6	Q20	18	23
7	E28	25	41
8			
9	O36	28	7
10	F26	14	41
11	Q19	18	23
12	O36	8	7
13	O36	17	7
14	O41	19	5
15	W21	902	
16	Q19	23	23
17	W29	99	
18	Q32	12	96
19	O41	6	5
20	Q33	19	15
21	P18	26	23
22	H17	11	37
23	F17	21	180
24	O41	9	5
25	P40	19	7
26			
27	Q33	3	13
28			

JACK PIN LG

CIRCUIT SPECIFICATION I1827600

60150800 Rev. BD



*For ECS Coupler Access and CEJ/MEJ Only.

SL

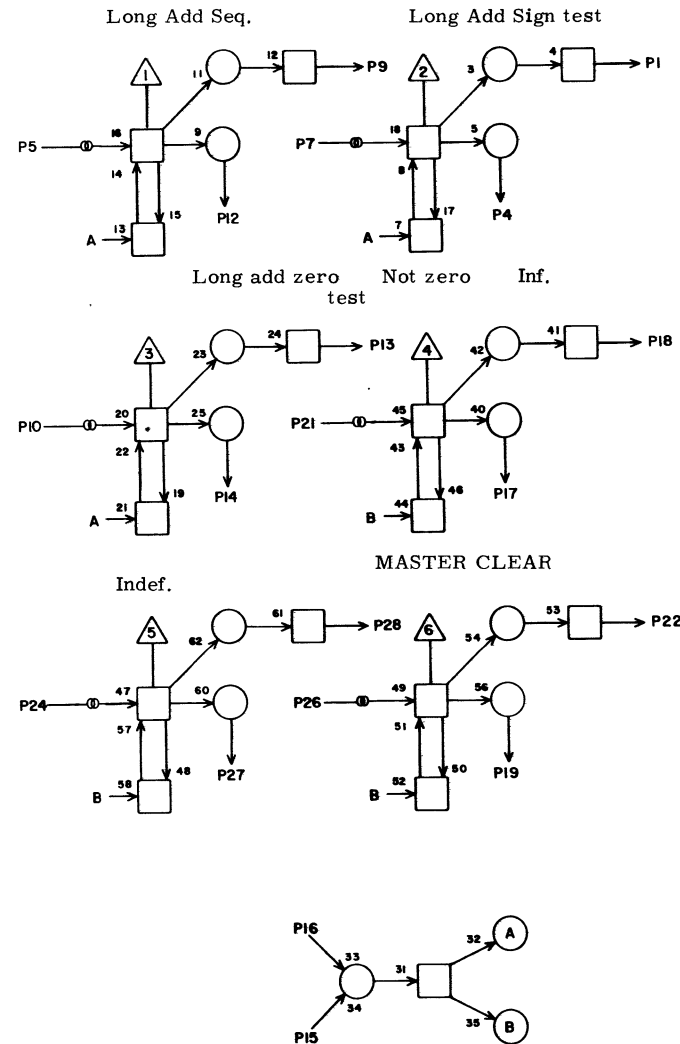
5041

1	Q27	15	19
2	Q27	14	17
3	Q28	15	17
4	Q28	14	17
5	Q29	15	17
6	O40	19	5
7	R33	5	17
8	Q29	14	17
9	O40	24	5
10	Q06	10	31
11	Q33	1	15
12	F17	17	43
13	Q31	8	120
14	O36	14	53
15	Q33	17	15
16	O36	21	7
17	O36	27	7
18	W23	903	
19	O40	14	5
20	W23	904	
21			
22			
23			
24			
25	W21	94	
26			
27			
28			

JACK PIN LG
SEE CIRCUIT SPECIFICATION 11827600
60150800 Rev. BF

PI

5042



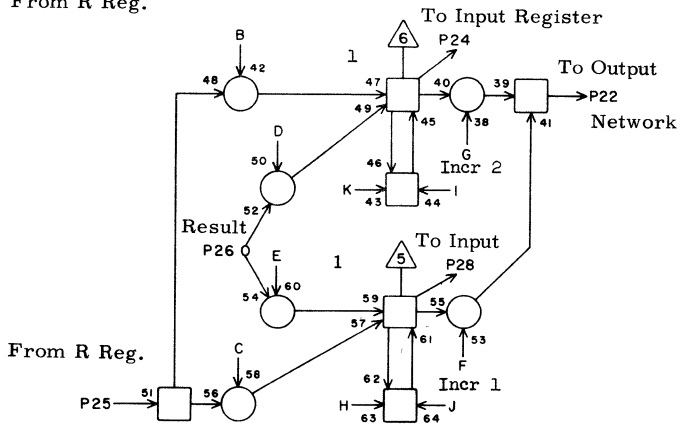
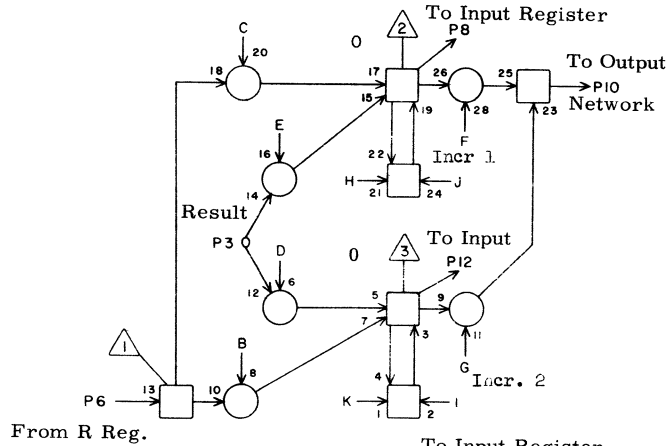
5042

1	R37	2	17
2			
3			
4			
5	W26	99	
6			
7	W17	99	
8			
9	L20	11	25
10	W17	98	
11			
12			
13	R37	4	15
14			
15	I24	20	31
16			
17	Q05	20	35
18			
19			
20			
21	W11	901	
22	N21	14	29
23			
24	W11	900	
25			
26	W23	901	
27	Q05	9	37
28			

JACK PIN LG
CIRCUIT SPECIFICATION 11827600

60150800 Rev AW

INCREMENT 1 & 2 REGISTERS



- P17 → 34 (K) → 33 (B) K to Incr. 2
- P19 → 36 (H) → 35 (C) K to Incr. 1
- P11 → 30 (I) → 29 (D) Result to Incr. 2
- P15 → 32 (J) → 31 (E) Result to Incr. 1
- P14 → 27 (F) → 37 (G) Xmit Result

JB

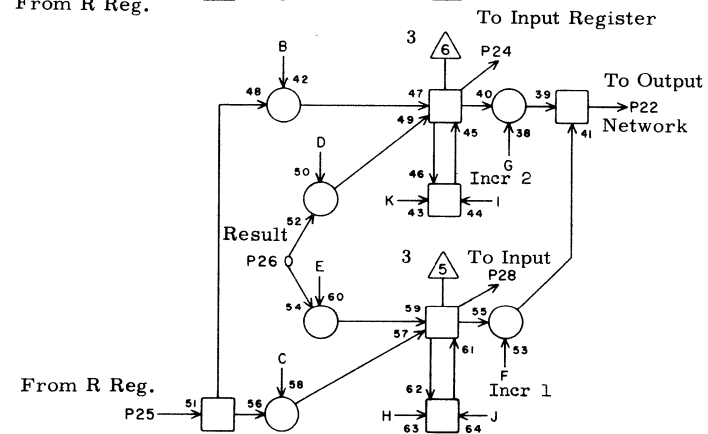
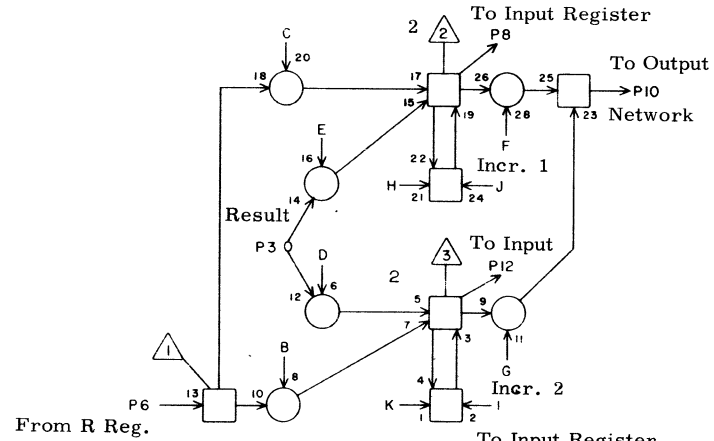
5P01

1			
2			
3	007	10	9
4			
5			
6	N31	19	31
7			
8	022	22	23
9			
10	F41	13	53
11	Q07	2	11
12	022	25	23
13			
14	018	25	19
15	Q08	16	11
16			
17	Q08	10	11
18			
19	Q07	16	11
20			
21			
22	F41	11	53
23			
24	022	8	23
25	N31	6	31
26	007	21	9
27			
28	022	5	23

JACK PIN LG

60150800 Rev. B

INCREMENT 1 & 2 REGISTERS



- P17 → 34 (K) → 33 (B) K to Incr. 2
- P19 → 36 (H) → 35 (C) K to Incr. 1
- P11 → 30 (I) → 29 (D) Result to Incr. 2
- P15 → 32 (J) → 31 (E) Result to Incr. 1
- P14 → 27 (F) → 37 (G) Xmit Result

JB

5P02

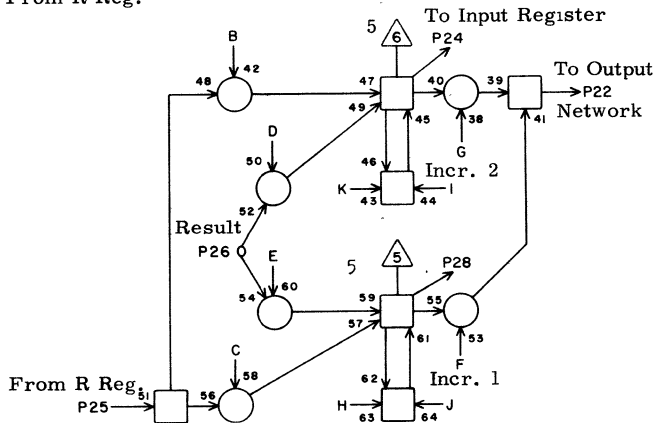
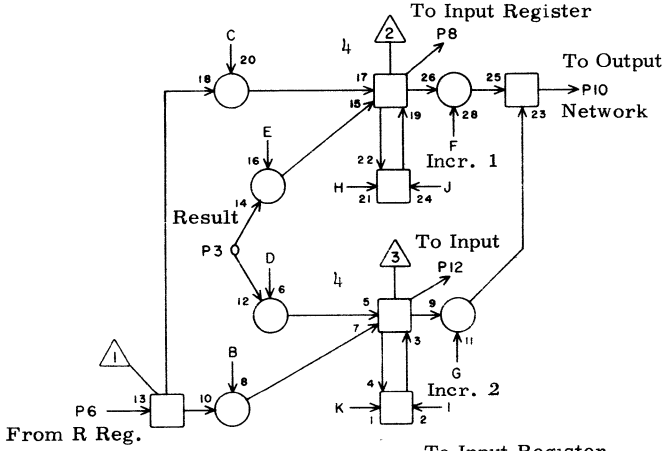
1			
2			
3	007	1	7
4			
5			
6	N32	19	31
7			
8	023	22	23
9			
10	F41	9	53
11	Q07	4	7
12	023	25	23
13			
14	018	23	19
15	Q08	17	9
16			
17	Q08	12	9
18			
19	Q07	19	9
20			
21			
22	F41	7	53
23			
24	023	8	23
25	N32	6	31
26	007	28	7
27			
28	023	5	23

JACK PIN LG

60150800 Rev. B

5P02

INCREMENT 1 & 2 REGISTERS



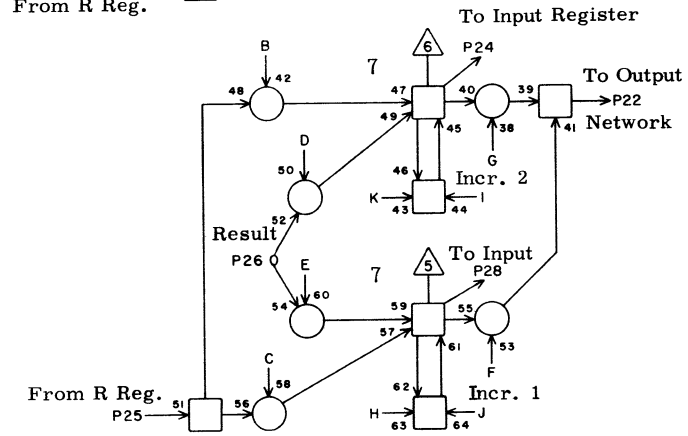
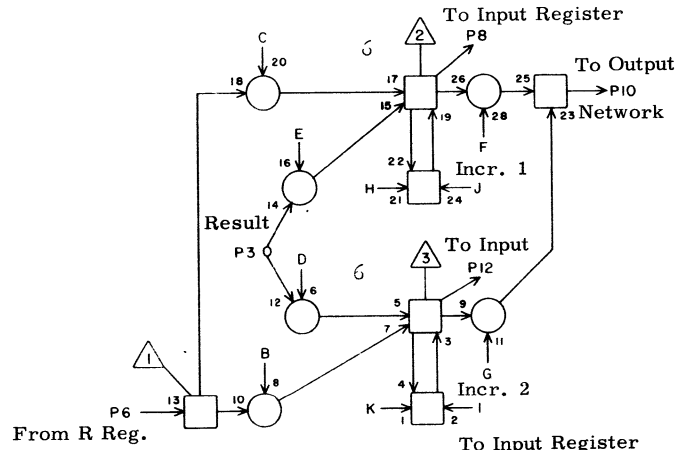
- P17 → K → B K to Incr. 2
- P19 → H → C K to Incr. 1
- P11 → I → D Result to Incr. 2
- P15 → J → E Result to Incr. 1
- P14 → F → G Xmit Result

JB 5P03

1			
2			
3	008	10	7
4			
5			
6	N33	19	31
7			
8	024	22	23
9			
10	F41	5	53
11	Q07	6	7
12	024	25	23
13			
14	018	26	17
15	Q08	26	7
16			
17	Q08	6	9
18			
19	Q07	26	9
20			
21			
22	F41	26	53
23			
24	024	8	23
25	N33	6	31
26	008	21	7
27			
28	024	5	23

JACK PIN LG

INCREMENT 1 & 2 REGISTERS



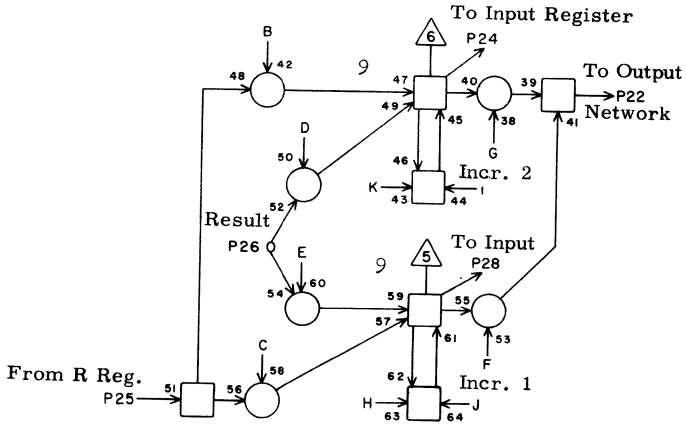
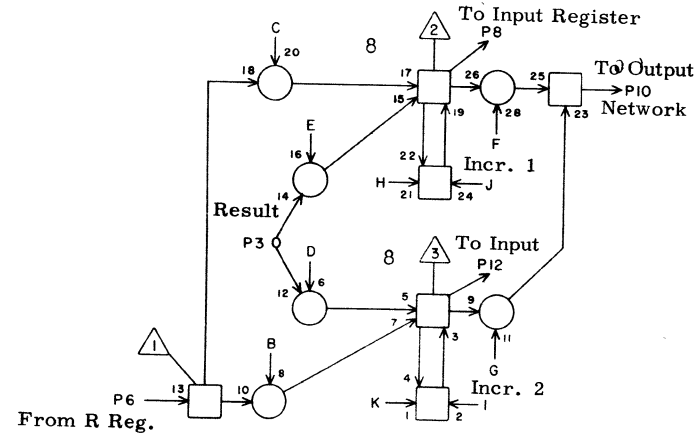
- P17 → K → B K to Incr. 2
- P19 → H → C K to Incr. 1
- P11 → I → D Result to Incr. 2
- P15 → J → E Result to Incr. 1
- P14 → F → G Xmit Result

JB 5P04

1			
2			
3	008	1	7
4			
5			
6	N34	19	31
7			
8	025	22	23
9			
10	F41	24	53
11	Q07	9	7
12	025	25	23
13			
14	018	24	15
15	Q08	24	9
16			
17	Q08	4	5
18			
19	Q07	24	9
20			
21			
22	F41	22	53
23			
24	025	8	23
25	N34	6	31
26	008	28	7
27			
28	025	5	23

JACK PIN LG

INCREMENT 1 & 2 REGISTERS



- P17 → K → B K to Incr. 2
- P19 → H → C K to Incr. 1
- P11 → I → D Result to Incr. 2
- P15 → J → E Result to Incr. 1
- P14 → F → G Xmit Result

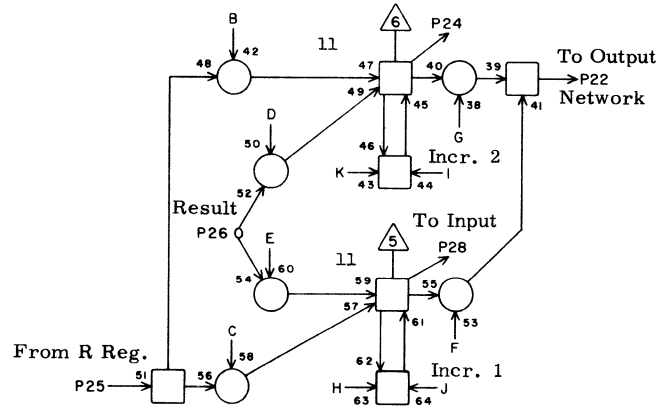
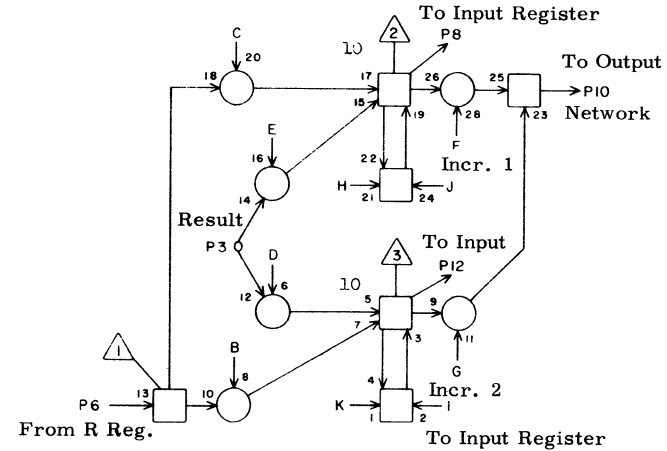
JB

5P05

1			
2			
3	009	10	7
4			
5			
6	N35	19	31
7			
8	026	22	23
9			
10	F41	20	53
11	Q07	11	7
12	026	25	23
13			
14	018	22	15
15	Q08	22	9
16			
17	Q08	9	7
18			
19	Q07	22	7
20			
21			
22	F41	18	51
23			
24	026	8	23
25	N35	6	31
26	009	21	7
27			
28	026	5	23

JACK PIN LG

INCREMENT 1 & 2 REGISTERS



- P17 → K → B K to Incr. 2
- P19 → H → C K to Incr. 1
- P11 → I → D Result to Incr. 2
- P15 → J → E Result to Incr. 1
- P14 → F → G Xmit Result

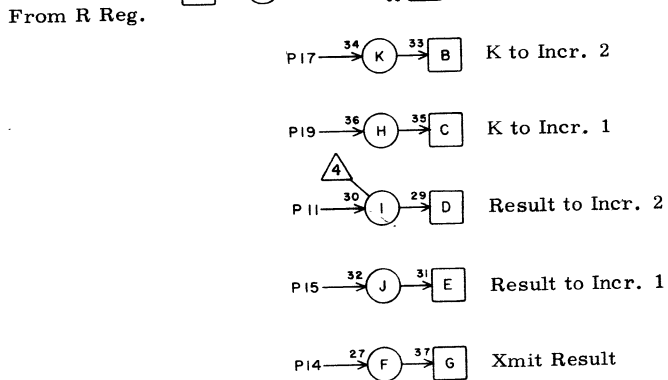
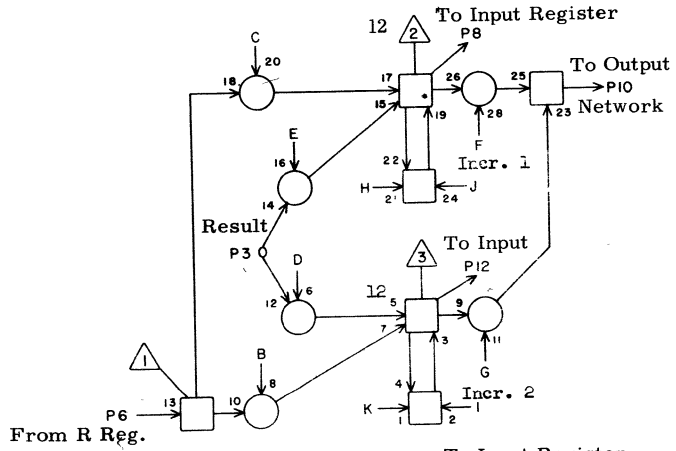
JB

5P06

1			
2			
3	009	1	7
4			
5			
6	N36	19	31
7			
8	027	22	23
9			
10	F42	13	53
11	Q07	13	7
12	027	25	23
13			
14	018	20	15
15	Q08	20	7
16			
17	Q08	11	7
18			
19	Q07	20	5
20			
21			
22	F42	11	49
23			
24	027	8	23
25	N36	6	31
26	009	28	5
27			
28	027	5	23

JACK PIN LG

INCREMENT 1 & 2 REGISTERS

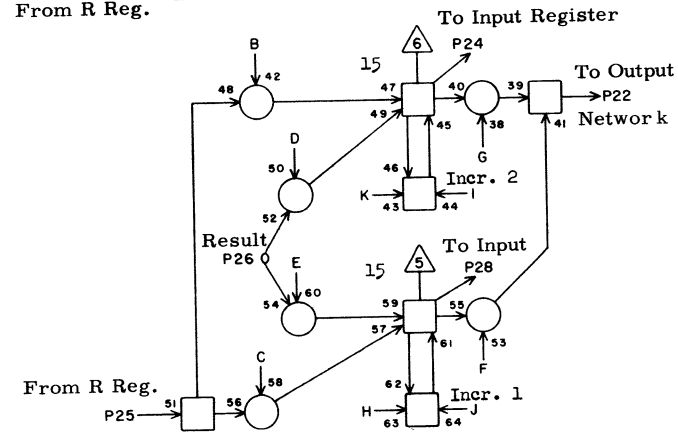
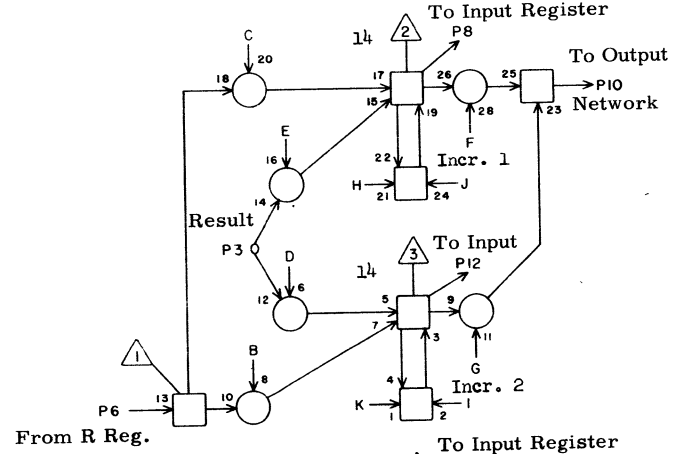


JB 5FC7

1			
2			
3	010	10	7
4			
5			
6	N37	19	31
7			
8	028	22	23
9			
10	F42	9	49
11	Q07	8	5
12	028	25	23
13			
14	018	18	15
15	Q08	18	7
16			
17	Q08	13	5
18			
19	Q07	18	5
20			
21			
22	F42	7	49
23			
24	028	8	23
25	N37	6	31
26	010	21	7
27			
28	028	5	23

JACK PIN LG

INCREMENT 1 & 2 REGISTERS



JB 5P08

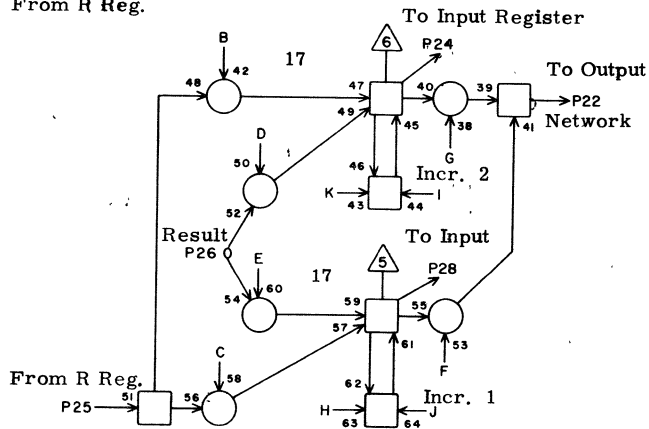
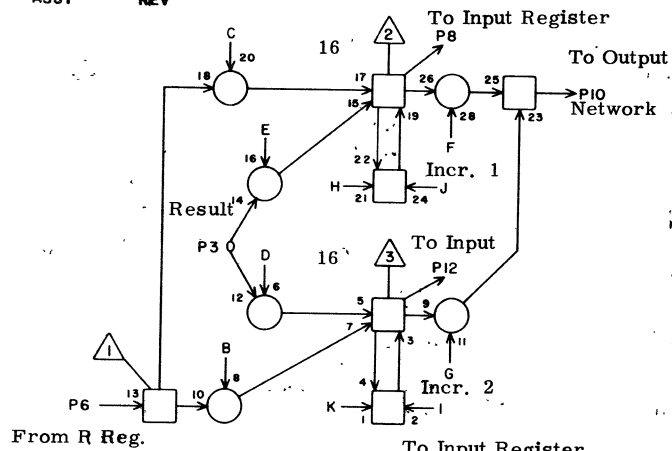
1			
2			
3	010	1	7
4			
5			
6	N38	19	31
7			
8	029	22	23
9			
10	F42	5	49
11	Q07	10	7
12	029	25	23
13			
14	018	28	13
15	Q08	28	7
16			
17	Q08	2	5
18			
19	Q07	28	7
20			
21			
22	F42	26	47
23			
24	029	8	23
25	N38	6	31
26	010	28	7
27			
28	029	5	23

JACK PIN LG

INCREMENT 1 & 2 REGISTERS

JB

5P09



- P17 → 34 (K) → 33 (B) K to Incr. 2
- P19 → 36 (H) → 35 (C) K to Incr. 1
- P11 → 30 (I) → 29 (D) Result to Incr. 2
- P15 → 32 (J) → 31 (E) Result to Incr. 1
- P14 → 27 (F) → 37 (G) Xmit Result

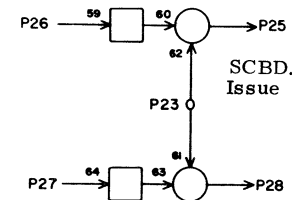
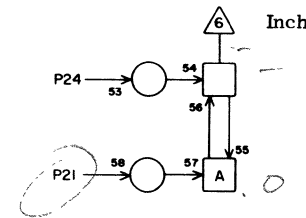
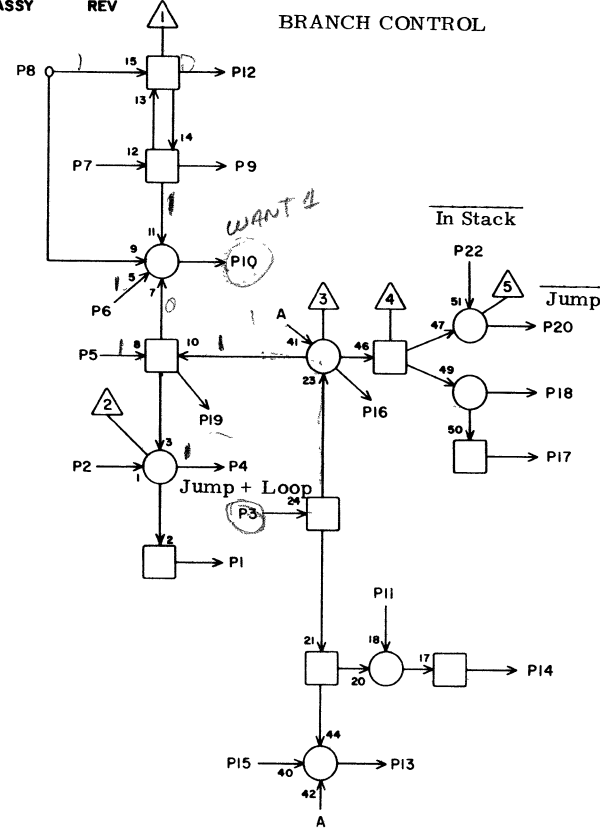
1			
2			
3	O11	25	9
4			
5			
6	N39	19	31
7			
8	O30	5	23
9			
10	F42	24	47
11	Q07	12	7
12	O30	8	23
13			
14	O18	21	13
15	Q08	21	7
16			
17	Q08	8	5
18			
19	Q07	21	5
20			
21			
22	F42	22	47
23			
24	O30	23	23
25	N39	6	31
26	O11	4	11
27			
28	O30	22	23

JACK PIN LG
CIRCUIT SPECIFICATION 11827600
60150800 Rev B

BRANCH CONTROL

JU

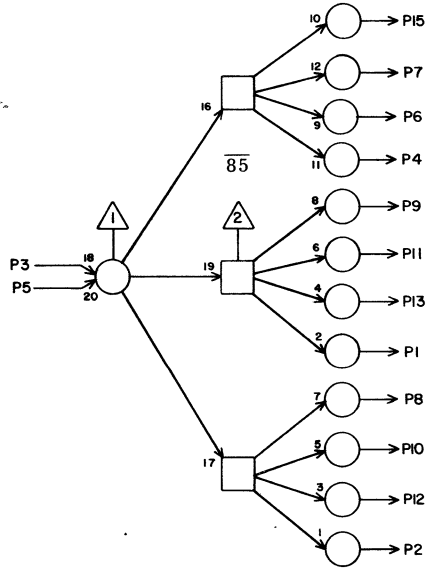
5P10



1	O38	14	29
2	O16	14	84
3	R37	9	29
4	O13	4	7
5	Q04	6	11
6	F38	25	132
7	H18	27	33
8	P36	25	144
9	Q04	3	11
10	P37	23	27
11	R33	28	25
12	P12	3	29
13	Q04	25	11
14	F37	13	47
15	H06	18	33
16	Q04	22	11
17	R37	20	156
18	P38	1	27
19	F33	26	180
20	F37	21	47
21	E25	12	47
22	F38	23	132
23	E28	12	47
24	E15	21	45
25	J37	10	35
26	G33	23	43
27	G33	28	43
28	J37	22	37

JACK PIN LG
CIRCUIT SPECIFICATION 11827600
60150800 Rev AE

CLOCK



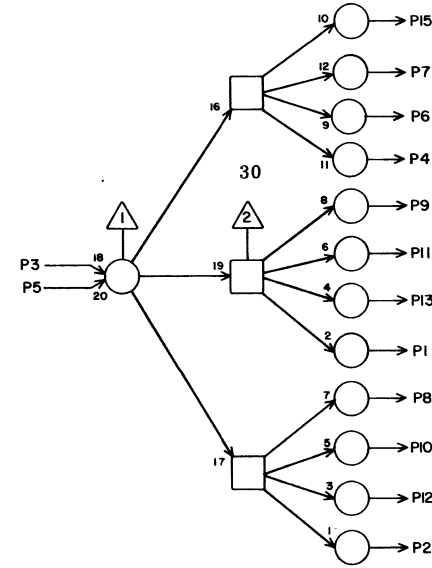
TC 5P11

1	R29	7	21
2	P42	14	156
3	H18	15	33
4	Q12	16	7
5			
6	Q11	16	7
7	Q10	16	7
8	R30	7	21
9			
10	M33	15	132
11	Q14	16	7
12	R32	7	29
13	R28	7	21
14	H18	26	33
15	Q09	16	7
16			
17	R28	20	120
18	R34	7	25
19	R31	20	23
20	R25	27	19
21	Q32	25	120
22	R24	27	19
23	R21	27	17
24	R23	27	19
25	R20	27	15
26	R22	27	17
27	R29	20	21
28	R34	20	25

JACK PIN LG

60150800 Rev. AV

CLOCK

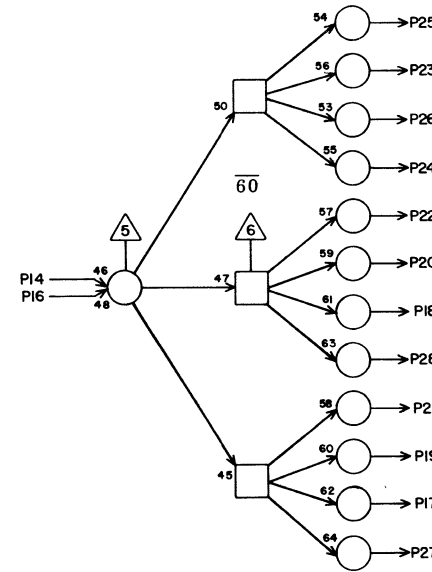
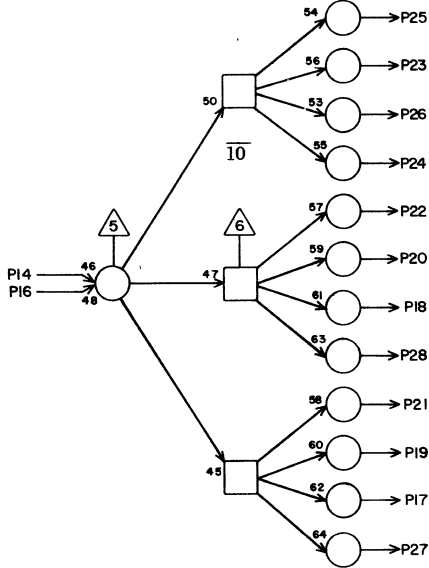


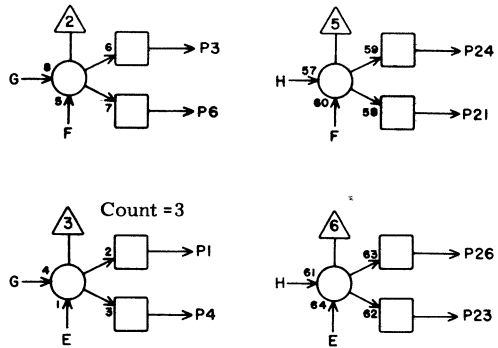
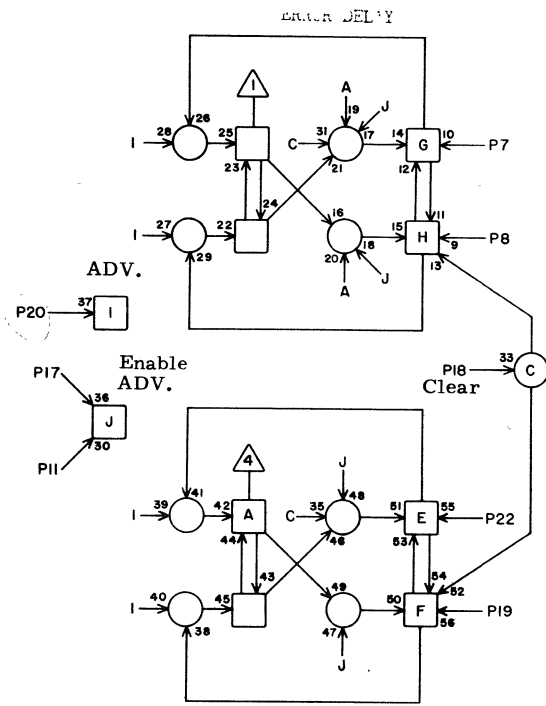
TC 5P12

1	R27	22	19
2	Q21	5	13
3	E29	12	47
4	R23	22	17
5			
6	R22	22	17
7	R21	22	17
8	N10	11	11
9	R24	22	17
10	F21	6	72
11	R25	22	17
12	P37	15	25
13	R26	22	17
14	H17	9	33
15	R20	22	15
16			
17	R30	20	21
18	R26	7	17
19	Q04	8	60
20	R25	5	17
21	Q20	21	17
22	R24	5	17
23	R21	5	15
24	R23	5	17
25	R20	5	13
26	R22	5	15
27	P42	3	120
28	R27	7	19

JACK PIN LG

60150800 Rev. Z

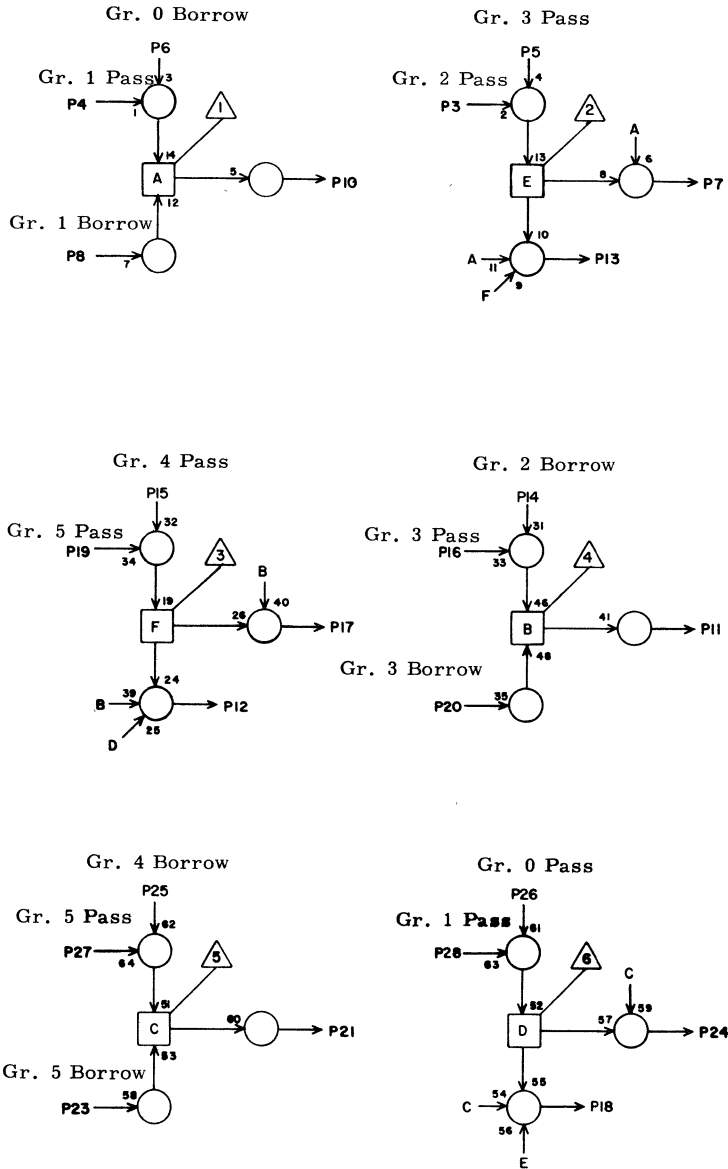




HA 5P13

1	H28	17	21
2			
3			
4	K39	12	31
5			
6			
7			
8			
9			
10			
11			
12			
13			
14			
15			
16			
17	K39	20	31
18	L19	13	21
19			
20	N08	20	15
21			
22			
23			
24			
25			
26			
27			
28			
	JACK	PIN	LG

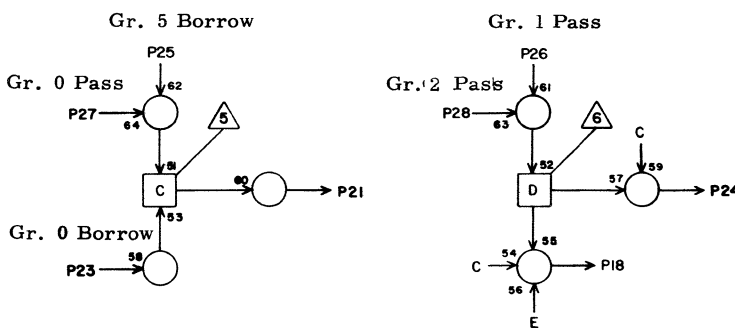
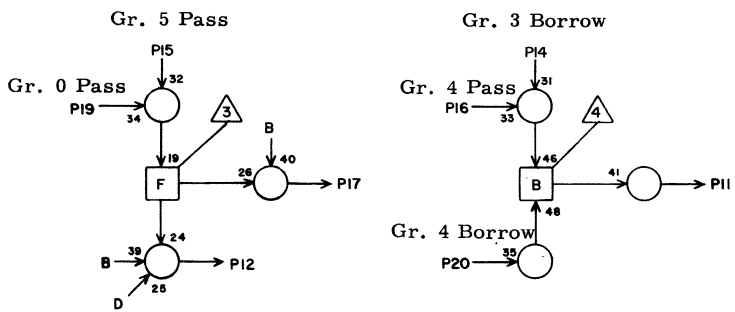
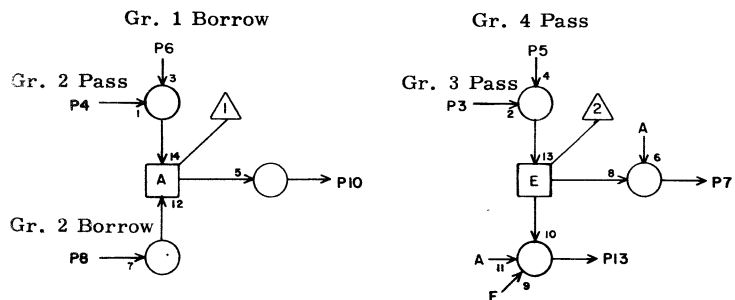
INCREMENT PASS AND BORROW CIRCUITS



QC 5P14

1			
2			
3	P24	22	13
4	P23	20	13
5	P25	22	13
6	P22	16	11
7	P26	25	15
8	P23	14	13
9			
10	P24	27	13
11	P26	27	15
12	P24	21	13
13	P22	21	11
14	P24	14	13
15	P26	22	15
16	P25	20	13
17	P22	25	11
18	P26	21	15
19	P27	22	15
20	P25	14	13
21	P22	27	11
22			
23	P27	16	15
24	P24	25	13
25	P26	14	15
26	P22	22	11
27	P27	20	15
28	P23	22	13
	JACK	PIN	LG

INCREMENT PASS AND BORROW CIRCUITS



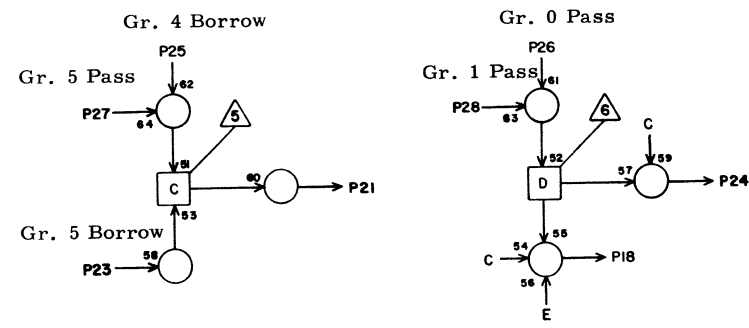
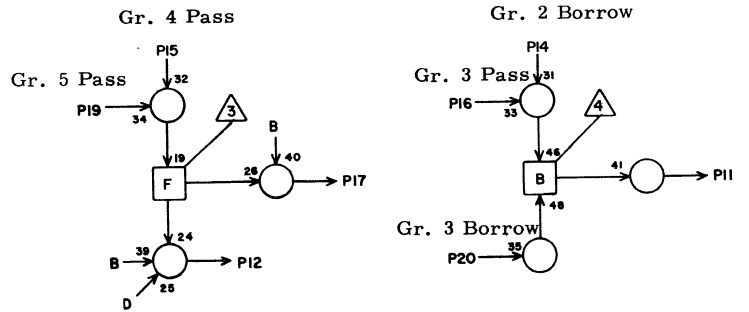
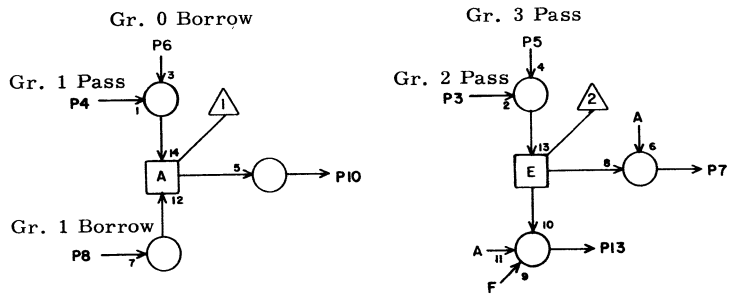
QC

5 P15

1			
2			
3	P25	24	13
4	P24	20	13
5	P26	24	13
6	P23	16	11
7	P27	25	15
8	P24	16	11
9			
10	P25	27	13
11	P27	27	15
12	P25	21	13
13	P23	21	11
14	P25	16	13
15	P27	24	15
16	P26	20	13
17	P23	25	11
18	P27	21	15
19	P22	24	11
20	P26	16	13
21	P23	27	11
22			
23	P22	14	11
24	P25	25	13
25	P27	14	15
26	P23	24	11
27	P22	20	11
28	P24	24	13
	JACK	PIN	LG

60150800 Rev. B

(R-P) PASS AND BORROW CIRCUITS



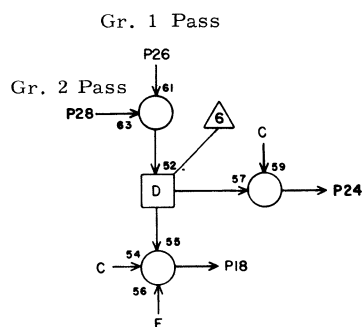
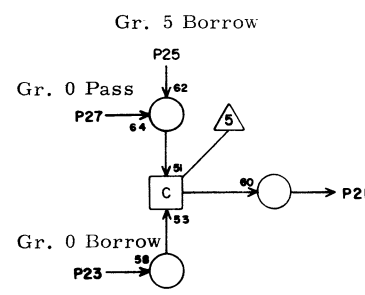
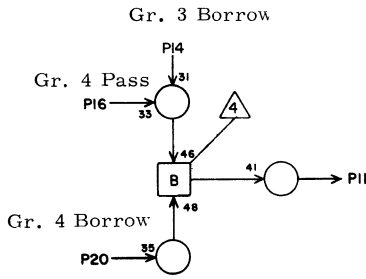
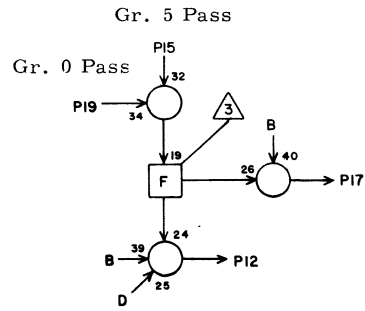
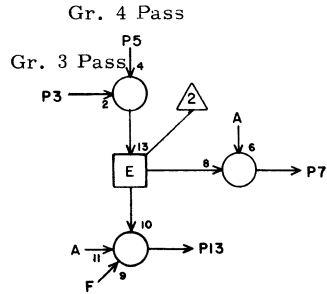
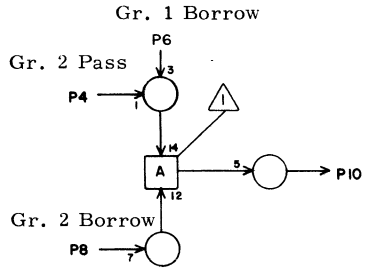
QC

5P16

1			
2			
3	P30	22	17
4	P29	20	15
5	P31	22	17
6	P28	16	15
7	P32	25	17
8	P29	14	15
9			
10	P30	27	17
11	P32	27	17
12	P30	21	17
13	P28	21	15
14	P30	14	17
15	P32	22	17
16	P31	20	17
17	P28	25	15
18	P32	21	17
19	P33	22	17
20	P31	14	17
21	P28	27	17
22			
23	P33	16	17
24	P30	25	17
25	P32	14	17
26	P28	22	17
27	P33	20	17
28	P29	22	17
	JACK	PIN	LG

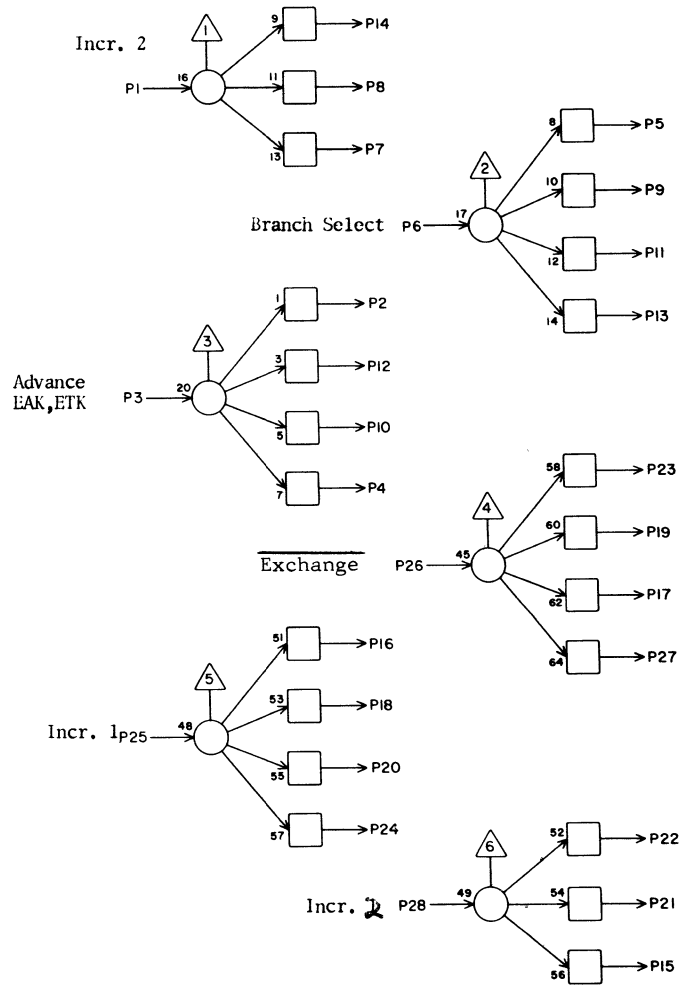
60150800 Rev.

(R-P) PASS AND BORROW CIRCUITS



QC		5P17	
JACK	PIN	LG	
1			
2			
3	P31	24	17
4	P30	20	15
5	P32	24	17
6	P29	16	15
7	P33	25	17
8	P30	16	15
9			
10	P31	27	17
11	P33	27	17
12	P31	21	17
13	P29	21	15
14	P31	16	17
15	P33	24	17
16	P32	20	17
17	P29	25	15
18	P33	21	17
19	P28	24	15
20	P32	16	17
21	P29	27	15
22			
23	P28	14	15
24	P31	25	17
25	P33	14	17
26	P29	24	15
27	P28	20	15
28	P30	24	15

LS 63064000 ASSY REV C



TH 5P18

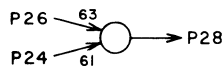
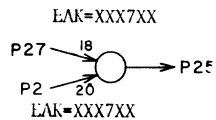
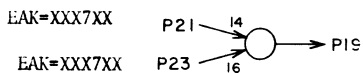
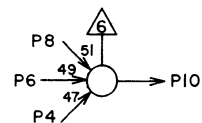
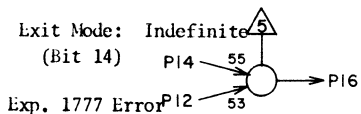
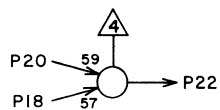
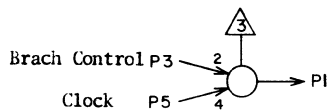
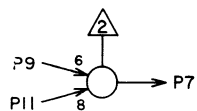
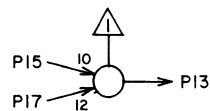
JACK	PIN	LG	
1	R31	27	17
2			
3	Q19	28	9
4	P34	25	15
5	L20	20	19
6	Q04	14	17
7	L22	11	19
8	N10	15	15
9	N22	27	13
10	P35	17	15
11	L21	20	17
12	R39	24	21
13	Q04	23	17
14			
15	Q21	27	9
16	R31	21	17
17	M11	22	11
18	E38	20	47
19	E37	18	49
20	Q21	25	g
21	E38	18	47
22	R31	24	17
23	N07	25	17
24			
25	R31	1	19
26	O40	21	23
27	P20	10	5
28	R31	2	19

LS 18060300
ASSY

A
REV.

TR

5P19



*Ser. 1-7
L20-20

JACK	PIN	LG
1	P21	5 5
2	R16	5 11
3	P10	12 29
4	P38	6 21
5	Q31	17 15
6	O38	13 23
7	M33	13 19
8		
9	G29	19 41
10	H24	8 35
11	R37	22 29
12	P35	22 19
13	Q14	6 9
14	N23	5 15
15	O37	4 19
16	I05	25 29
17	N07	19 19
18	Q13	20 11
19	N07	24 15
20	Q14	24 17
21	R16	7 13
22	N07	26 23
23	R17	7 11
24	K36	7 27
25	H24	25 37
26	N10	7 19
27	R17	5 11
28	H24	22 37

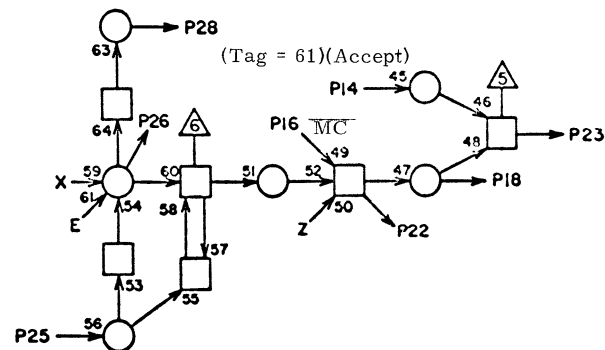
CIRCUIT SPECIFICATION 11827600
60150800 Rev AZ

LS 18056700
ASSY

A
REV

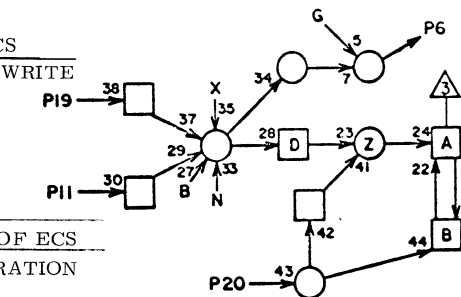
AH

5P20



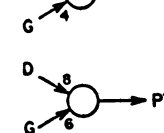
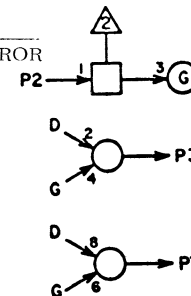
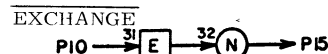
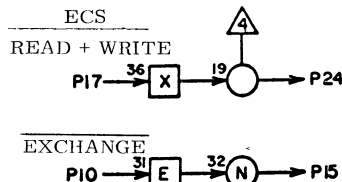
ECS
READ + WRITE

END OF ECS
OPERATION



END ECS
PROCEED

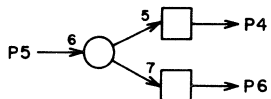
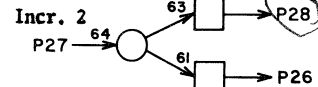
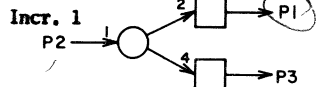
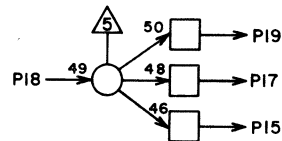
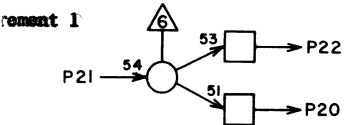
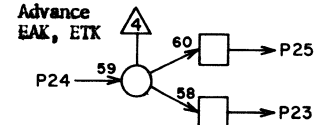
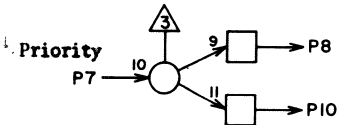
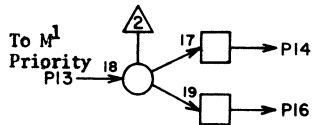
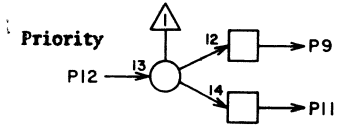
ECS ERROR



JACK	PIN	LG
1		
2	N28	6 21
3	G31	8 41
4		
5		
6	G28	1 37
7	G31	19 41
8	F37	2 108
9	Q31	19 21
10	P18	27 5
11		
12		
13		
14	N25	17 17
15		
16	M09	20 19
17	F21	5 43
18	N28	19 108
19	Q18	20 15
20	P41	26 25
21		
22	I04	21 33
23	E09	24 45
24	Q06	27 19
25	I22	8 33
26	H25	4 37
27		
28	F22	6 41

JACK PIN LG
SEE CIRCUIT SPECIFICATION
11827600

60150800 Rev. BD



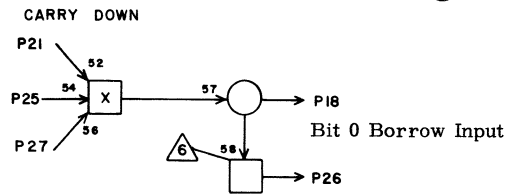
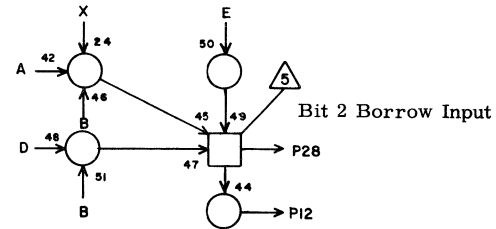
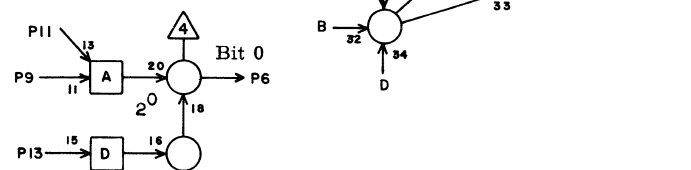
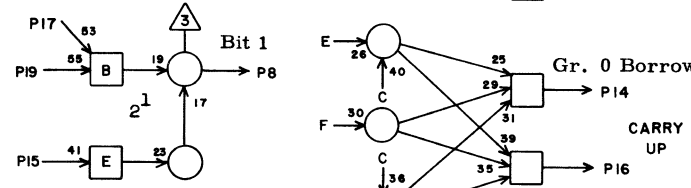
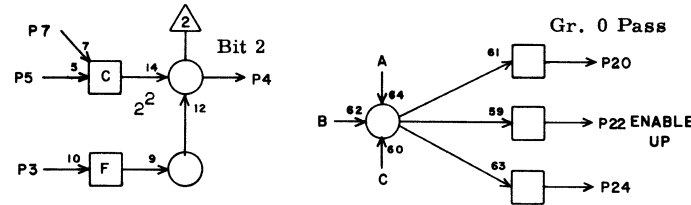
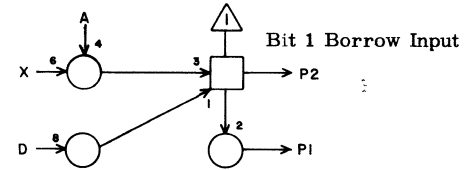
1	G26	3	180
2	G27	27	39
3	H32	21	84
4	R37	24	60
5	P19	1	5
6	L08	3	31
7	R34	17	19
8	Q25	23	11
9	H06	9	31
10			
11	F33	27	41
12	Q26	12	17
13	R34	25	19
14	Q25	24	11
15			
16			
17	Q20	27	9
18	R33	17	25
19	Q06	4	17
20	L21	11	17
21	R31	19	17
22	N10	14	15
23	R19	25	13
24	Q19	22	711
25			
26	Q06	20	17
27	G26	25	37
28	G27	11	37

JACK PIN LG

CIRCUIT SPECIFICATION 11827600

60510800 Rev. BQ

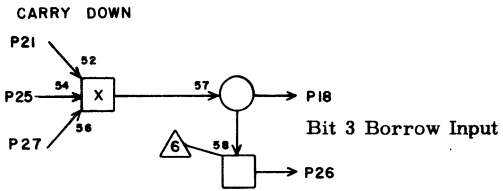
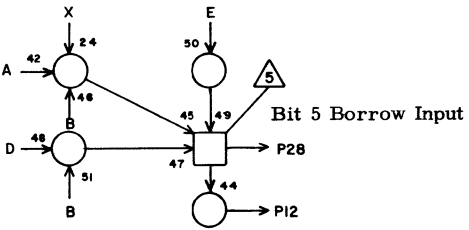
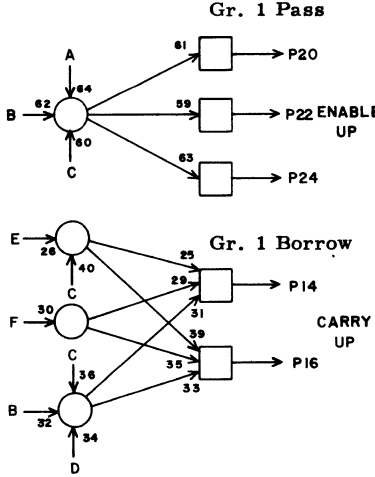
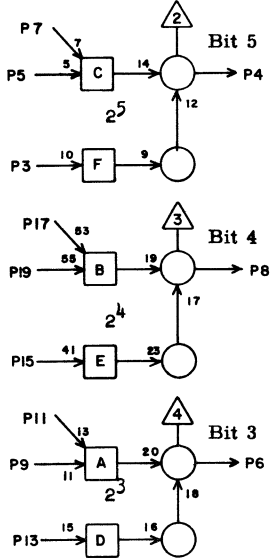
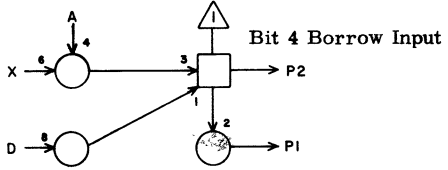
INCREMENT SUMMING NETWORK, GROUP 0



1	007	19	17
2	007	22	17
3	023	18	7
4	007	8	60
5	023	20	84
6	007	14	60
7	023	28	
8	007	17	60
9	022	20	84
10			
11	022	28	7
12	007	4	17
13	022	18	7
14	P15	23	11
15	022	13	7
16	P14	6	11
17	022	11	132
18	007	12	17
19	022	1	9
20	P15	27	11
21	P14	13	11
22	P14	26	11
23			
24	P15	19	11
25	P14	17	11
26	007	11	17
27	P14	21	11
28	007	3	17

JACK PIN LG

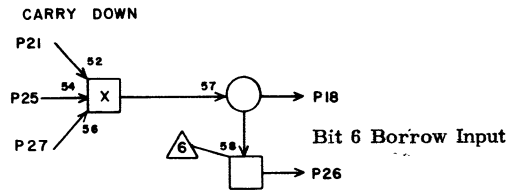
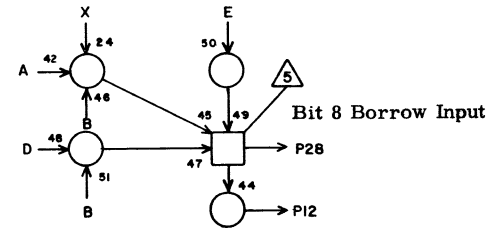
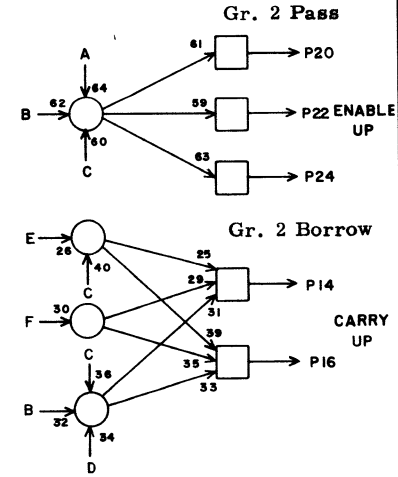
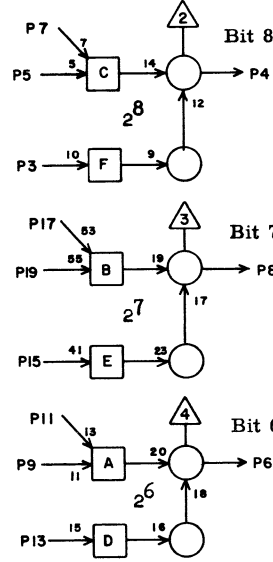
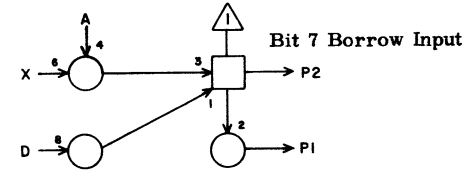
INCREMENT SUMMING NETWORK, GROUP 1



5P23			
QB	JACK	PIN	LG
1	008	12	17
2	008	11	17
3	024	13	7
4	008	17	60
5	024	11	84
6	007	23	60
7	024	1	7
8	008	14	60
9	023	11	84
10			
11	023	1	7
12	008	19	17
13	023	13	7
14	P14	8	13
15	024	18	7
16	P15	6	11
17	024	20	84
18	007	25	19
19	024	28	7
20	P14	4	13
21	P15	13	11
22	P14	28	13
23			
24	P15	26	11
25	P15	17	19
26	007	26	19
27	P15	21	11
28	008	22	17

60150800 Rev. B

INCREMENT SUMMING NETWORK, GROUP 2

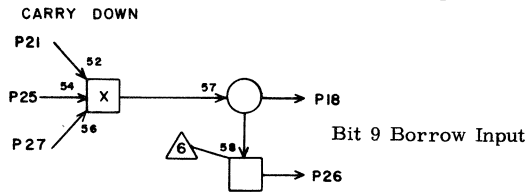
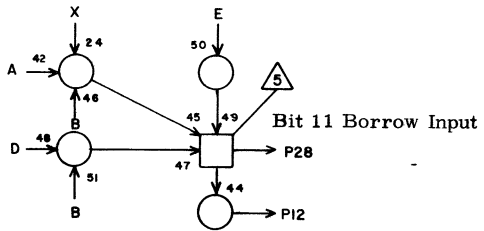
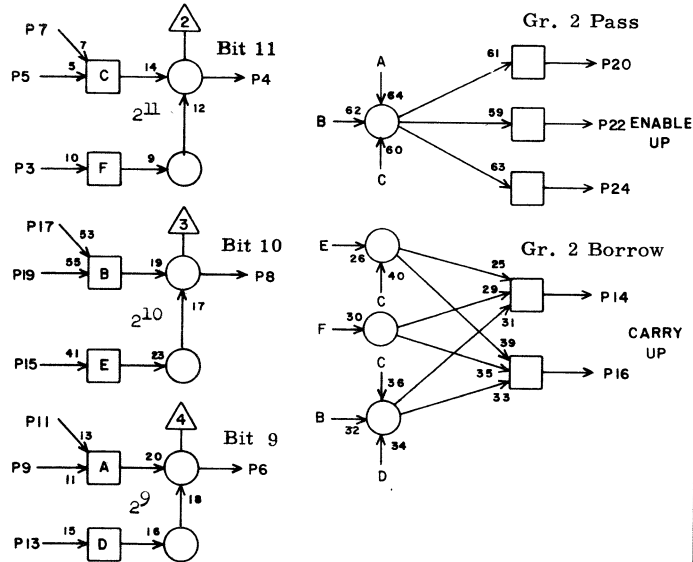
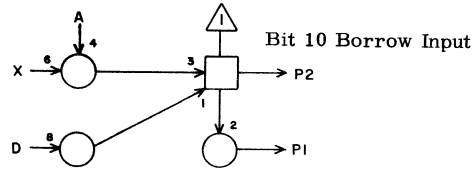


5P24			
QB	JACK	PIN	LG
1	008	25	19
2	008	26	19
3	026	18	7
4	009	14	60
5	026	20	84
6	008	8	60
7	026	28	7
8	008	23	60
9	025	20	84
10			
11	025	28	7
12	009	12	17
13	025	18	7
14	P14	14	13
15	025	13	7
16	P15	8	11
17	025	11	84
18	008	4	19
19	025	1	9
20	P15	4	13
21	P14	12	13
22	P14	3	13
23			
24	P15	28	13
25	P14	24	13
26	008	3	19
27	P14	10	13
28	009	11	17

60150800 Rev. B

INCREMENT SUMMING NETWORK, GROUP 3

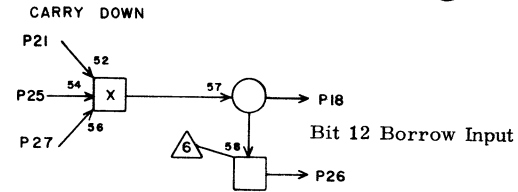
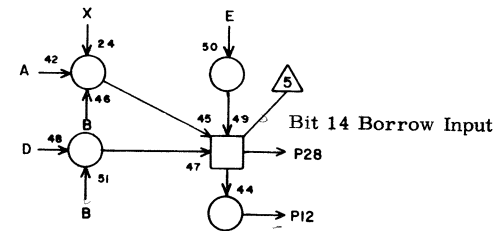
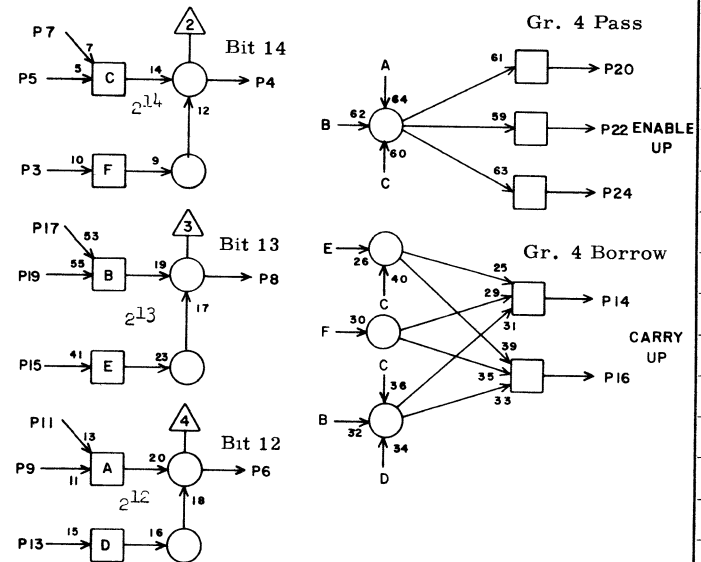
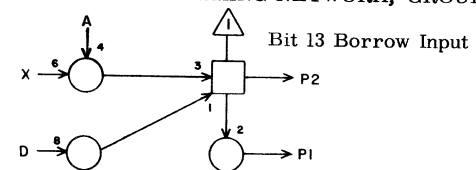
QB 5F29



1	009	4	17
2	009	3	17
3	027	13	7
4	009	23	60
5	027	11	84
6	009	17	60
7	027	1	7
8	009	8	60
9	026	11	84
10			
11	026	1	7
12	009	25	17
13	026	13	7
14	P14	20	13
15	027	18	7
16	P15	14	13
17	027	20	84
18	009	19	17
19	027	28	7
20	P14	16	13
21	P15	12	13
22	P14	5	13
23			
24	P15	3	13
25	P15	24	13
26	009	22	17
27	P15	10	13
28	009	26	17

JACK PIN LG

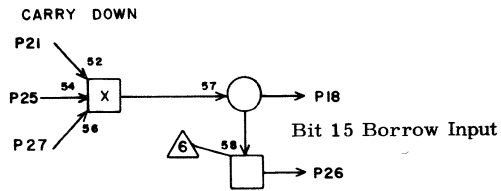
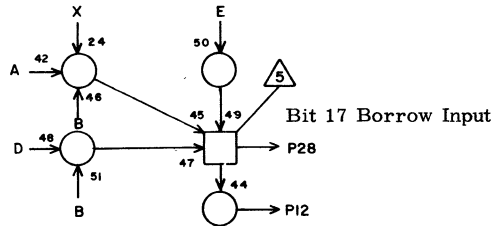
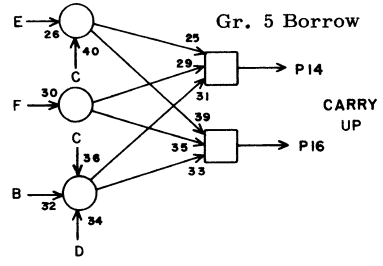
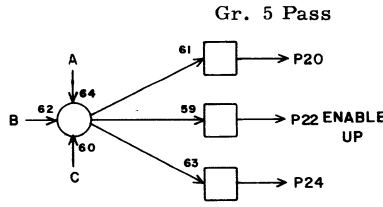
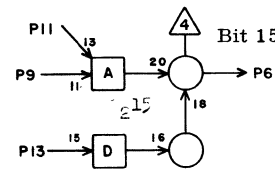
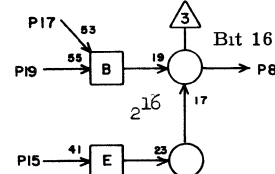
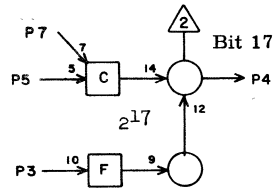
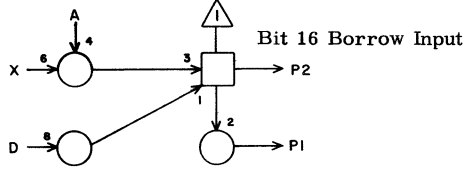
INCREMENT SUMMING NETWORK, GROUP 4 QB 5F2C



1	010	19	19
2	010	22	19
3	029	18	7
4	010	3	60
5	029	20	84
6	010	14	60
7	029	28	7
8	010	17	60
9	028	20	84
10			
11	028	28	7
12	010	4	19
13	028	18	7
14	P14	25	15
15	028	13	7
16	P15	20	13
17	028	11	84
18	010	12	19
19	028	1	7
20	P15	16	13
21	P14	18	15
22	P14	15	15
23			
24	P15	5	13
25	P14	7	15
26	010	11	19
27	P14	11	15
28	010	3	19

JACK PIN LG

INCREMENT SUMMING NETWORK, GROUP 5



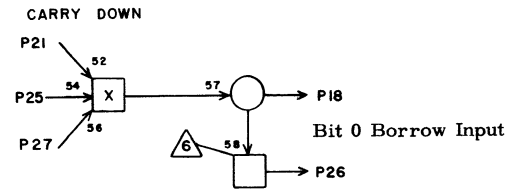
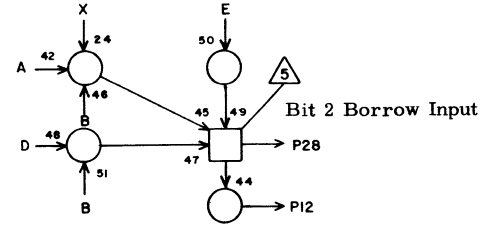
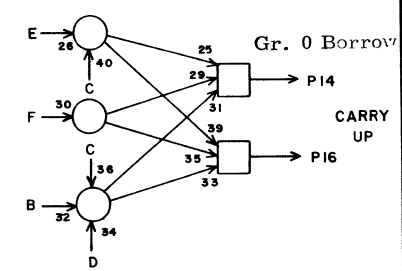
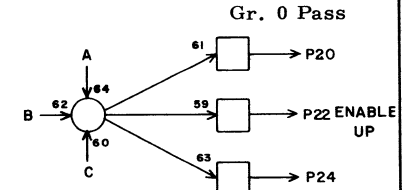
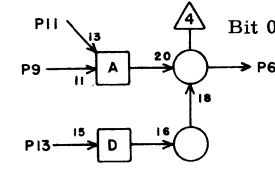
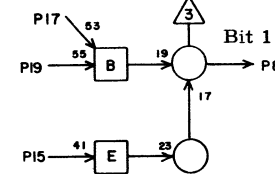
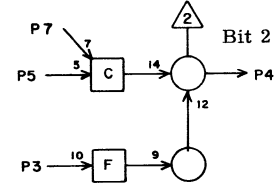
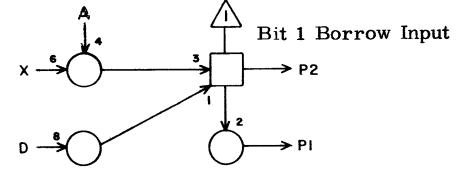
QB 27

1			
2	011	27	21
3	050	18	7
4	011	6	60
5	030	20	84
6	010	22	60
7	030	28	7
8	011	23	21
9	029	11	84
10			
11	029	1	7
12			
13	029	13	7
14	P15	25	15
15	030	9	7
16	P14	23	15
17	030	11	84
18	010	25	19
19	030	1	11
20	P14	27	15
21	P15	18	15
22	P14	19	15
23			
24	P15	15	15
25	P15	7	15
26	010	25	19
27	P15	11	15
28	011	2	19

JACK PIN LG

60150800 Rev. AU

(R-P) SUMMING NETWORK, GROUP 0



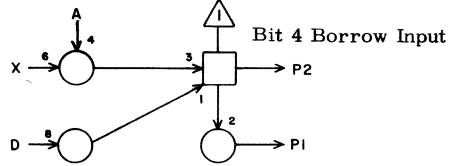
QB 28

1	017	1	13
2	017	5	13
3	N32	20	13
4	017	24	15
5	N32	27	13
6	017	19	15
7	N32	22	13
8	017	7	15
9	N31	27	13
10			
11	N31	22	13
12	017	25	15
13	N31	20	13
14	P17	23	15
15	N31	14	13
16	P16	6	15
17	N31	1	13
18	017	9	15
19	N31	12	13
20	P17	27	15
21	P16	13	15
22	P16	26	15
23			
24	P17	19	15
25	P16	17	15
26	017	8	15
27	P16	21	15
28	017	26	15

JACK PIN LG

60150800 Rev. B

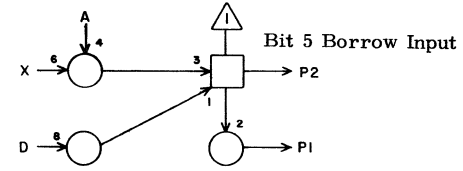
(R-P) SUMMING NETWORK, GROUP 1



QB 5P29

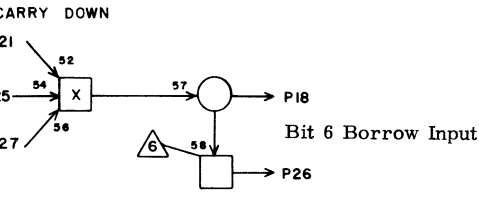
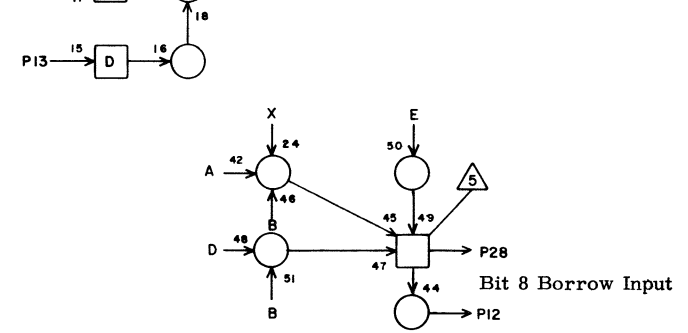
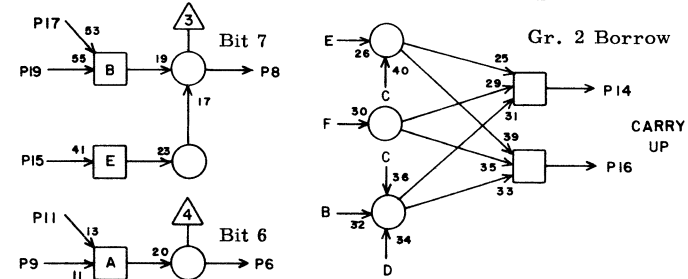
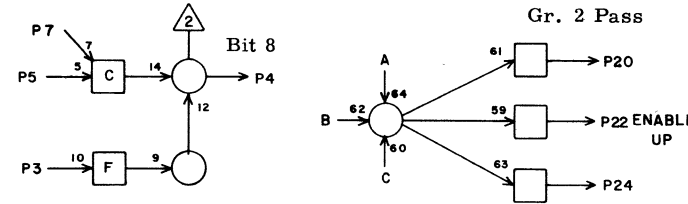
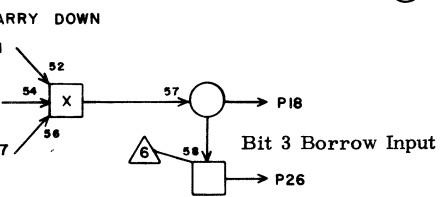
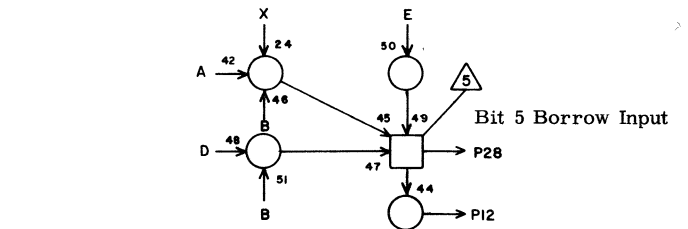
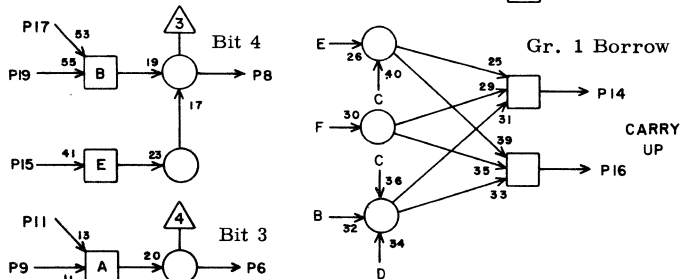
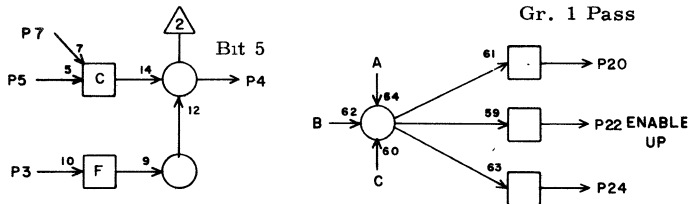
	JACK	PIN	LG
1	014	4	17
2	014	1	17
3	N33	14	13
4	014	11	17
5	N33	1	3
6	014	7	17
7	N33	12	13
8	014	6	17
9	N32	1	13
10			
11	N32	12	13
12	014	19	19
13	N32	14	13
14	P16	8	15
15	N33	20	13
16	P17	6	15
17	N33	27	13
18	014	8	17
19	N33	22	13
20	P16	4	15
21	P17	13	15
22	P16	28	15
23			
24	P17	26	15
25	P17	17	15
26	014	10	17
27	P17	21	15
28	014	12	17

(R-P) SUMMING NETWORK, GROUP 2

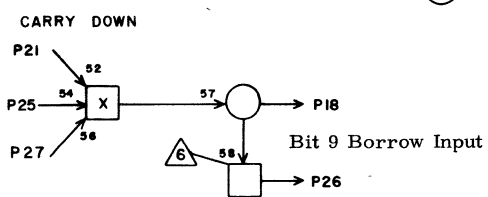
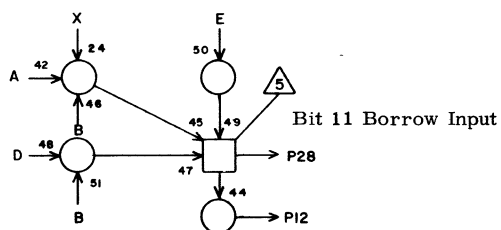
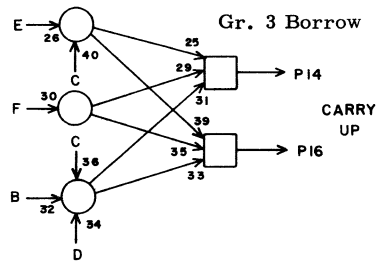
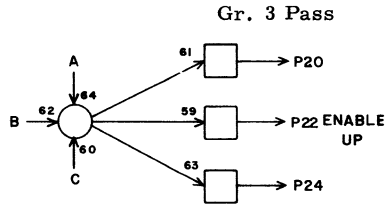
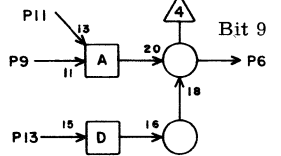
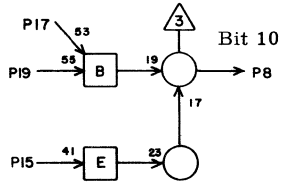
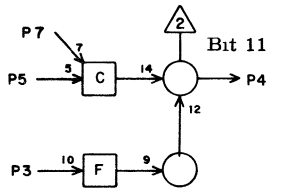
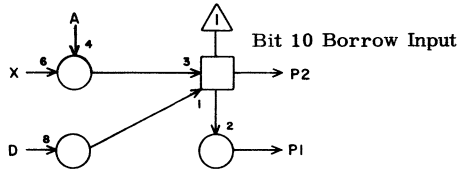


QB 5P30

	JACK	PIN	LG
1	014	28	17
2	014	21	17
3	N35	20	13
4	015	7	19
5	N35	27	13
6	014	25	17
7	N35	22	13
8	014	22	17
9	N34	27	13
10			
11	N34	22	13
12	015	8	19
13	N34	20	13
14	P16	14	17
15	N34	14	13
16	P17	8	15
17	N34	1	13
18	014	27	17
19	N34	12	13
20	P17	4	15
21	P16	12	17
22	P16	3	17
23			
24	P17	28	15
25	P16	24	17
26	014	26	17
27	P16	10	17
28	015	10	17



(R-P) SUMMING NETWORK, GROUP 3

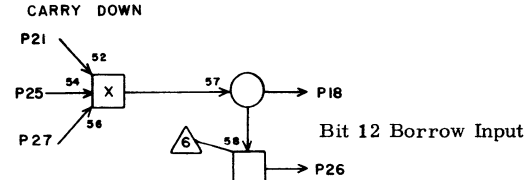
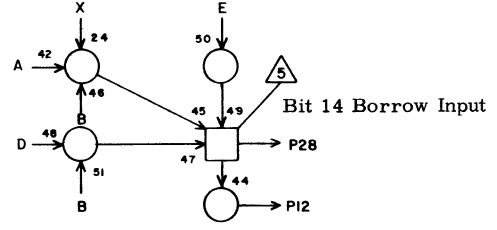
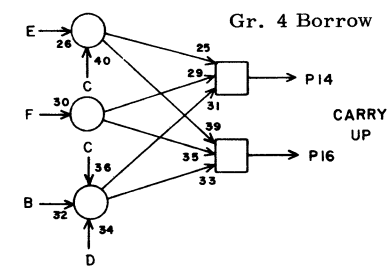
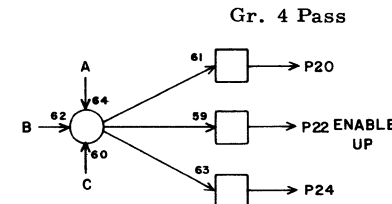
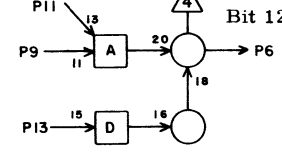
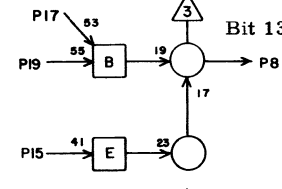
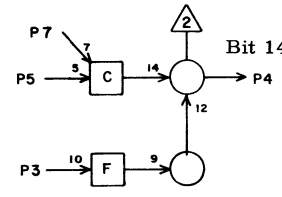
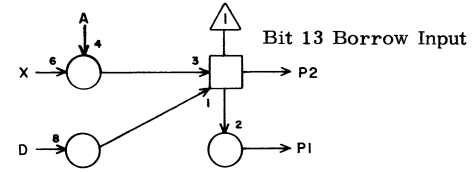


QB 5P31

1	015	19	19
2	015	12	19
3	N36	14	13
4	015	25	19
5	N36	1	13
6	015	6	19
7	N36	12	13
8	015	11	19
9	N35	1	13
10			
11	N35	12	13
12	015	27	19
13	N35	14	13
14	P16	20	17
15	N36	20	13
16	P17	14	17
17	N36	27	13
18	015	4	19
19	N36	22	13
20	P16	16	17
21	P17	12	17
22	P16	5	17
23			
24	P17	3	17
25	P17	24	17
26	015	1	19
27	P17	10	17
28	015	26	19

JACK PIN LG

(R-P) SUMMING NETWORK, GROUP 4



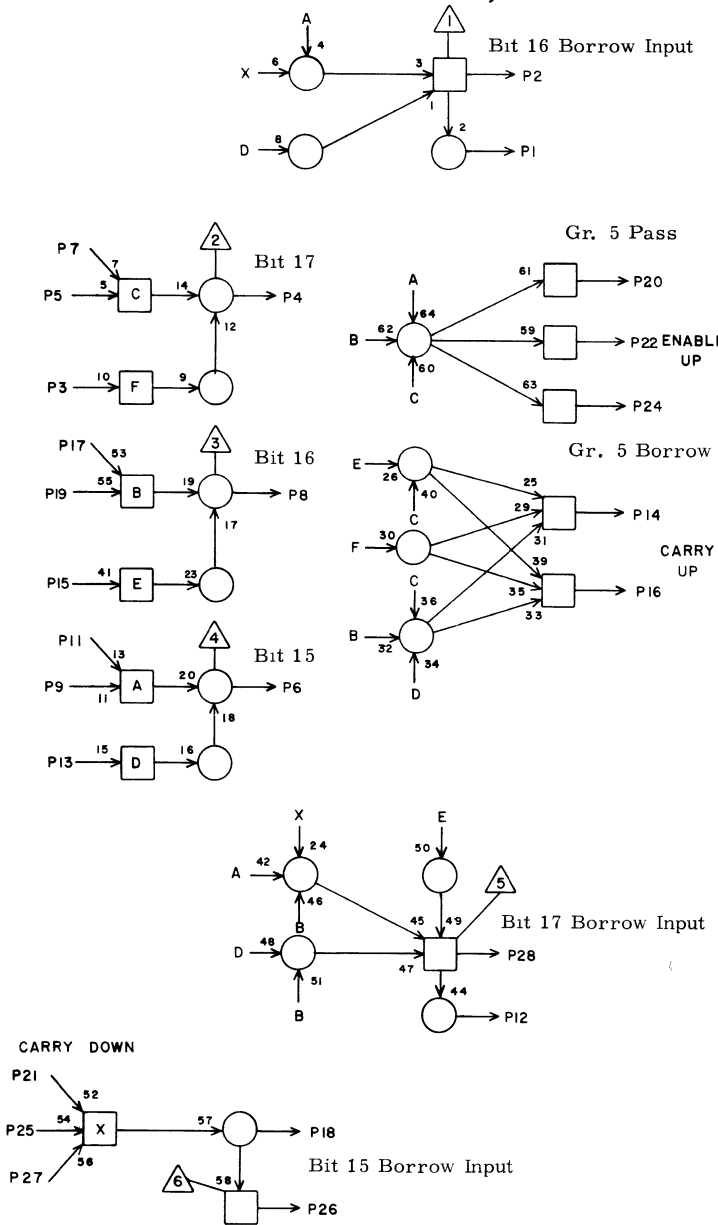
QB 5P32

1	016	8	19
2	016	10	19
3	N38	20	13
4	016	6	19
5	N38	27	13
6	015	22	19
7	N38	22	13
8	016	7	19
9	N37	27	13
10			
11	N37	22	13
12	016	4	19
13	N37	20	13
14	P16	25	17
15	N37	14	13
16	P17	20	17
17	N37	1	13
18	015	28	19
19	N37	12	13
20	P17	16	17
21	P16	18	17
22	P16	15	17
23			
24	P17	5	17
25	P16	7	17
26	015	21	19
27	P16	11	17
28	016	1	19

JACK PIN LG

(R-P) SUMMING NETWORK, GROUP 5

QB 5P33



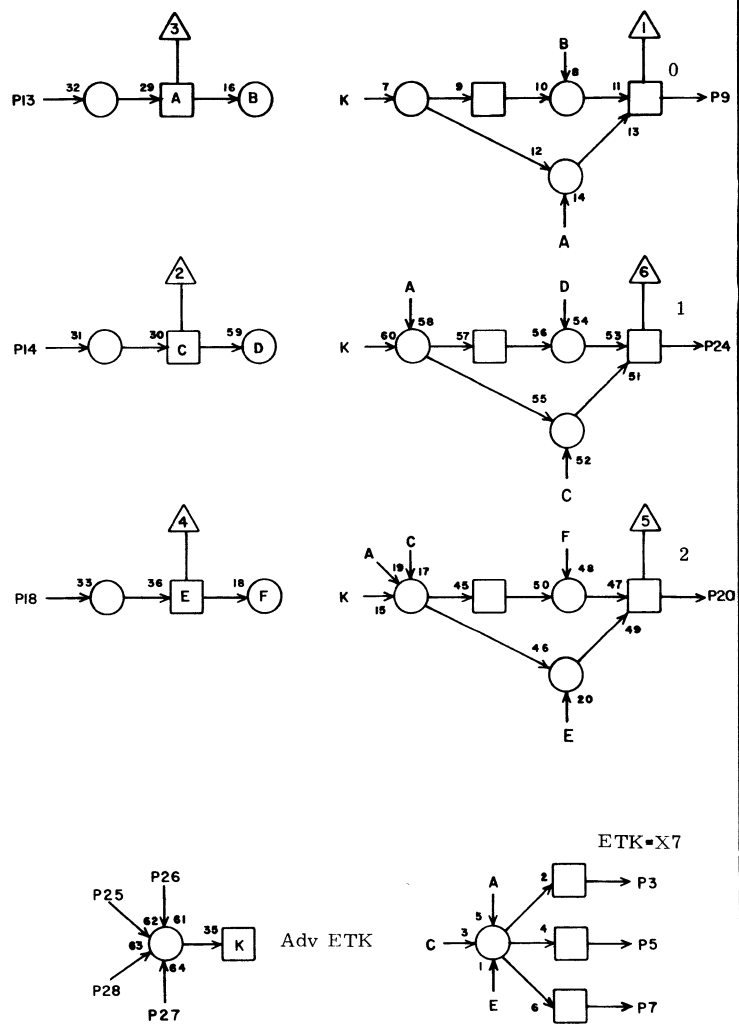
JACK	PIN	LG
1	016	27 19
2	015	26 19
3	N39	14 13
4	016	22 19
5	N39	01 13
6	016	11 19
7	N39	12 13
8	016	25 19
9	N38	1 13
10		
11	N38	12 13
12	016	28 19
13	N38	14 13
14	F17	25 17
15	N39	20 13
16	F16	23 17
17	N39	27 13
18	016	19 19
19	N39	22 13
20	F16	27 17
21	F17	18 17
22	F16	19 17
23		
24	F17	15 17
25	F17	7 17
26	016	12 19
27	F17	11 17
28	015	21 19

60150800 Rev. B

LS 63061000 ASSY 3 REV

Exchange Tag Counter (ETK) QK

5P34



5P34

JACK	PIN	LG
1		
2		
3	P35	19 5
4		
5		
6		
7		
8		
9	Q18	06 19
10		
11		
12		
13	Q19	1 17
14	Q19	2 17
15		
16		
17		
18	Q19	10 17
19		
20	Q18	13 19
21		
22		
23		
24	Q18	11 19
25	P18	4 15
26		
27		
28		

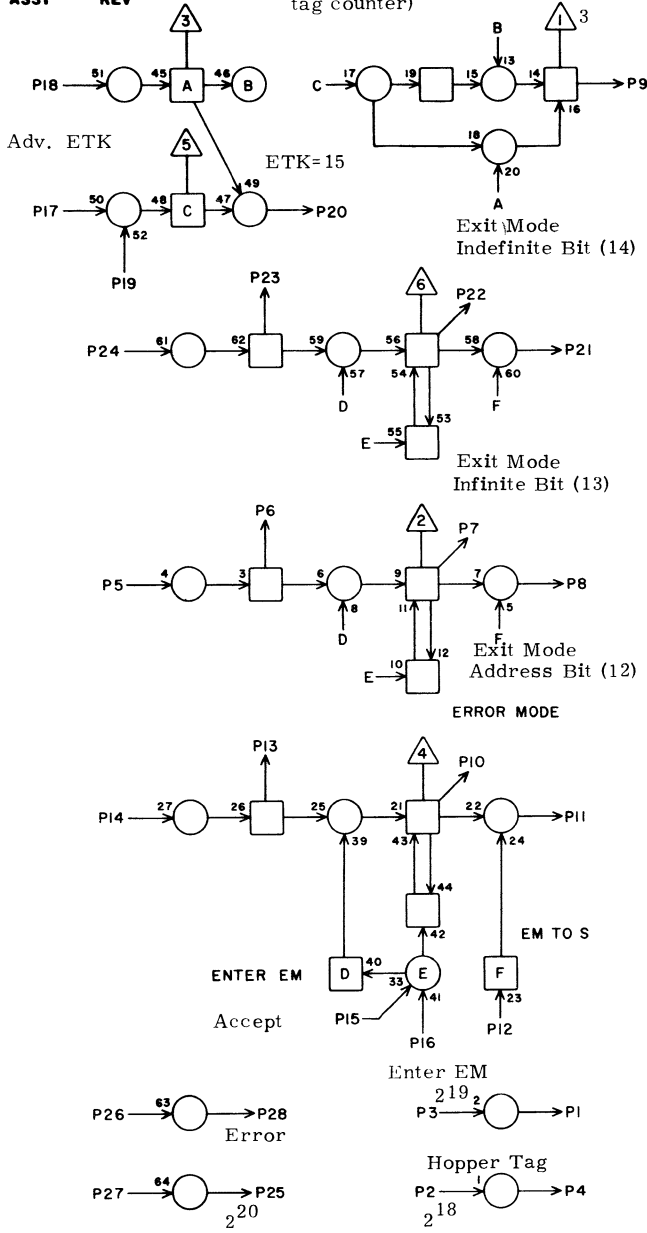
CIRCUIT SPECIFICATION 11827600

60150800 Rev R

LS 6305200
ASSY REV

ETK
(Exchange tag counter)

JO



5P35

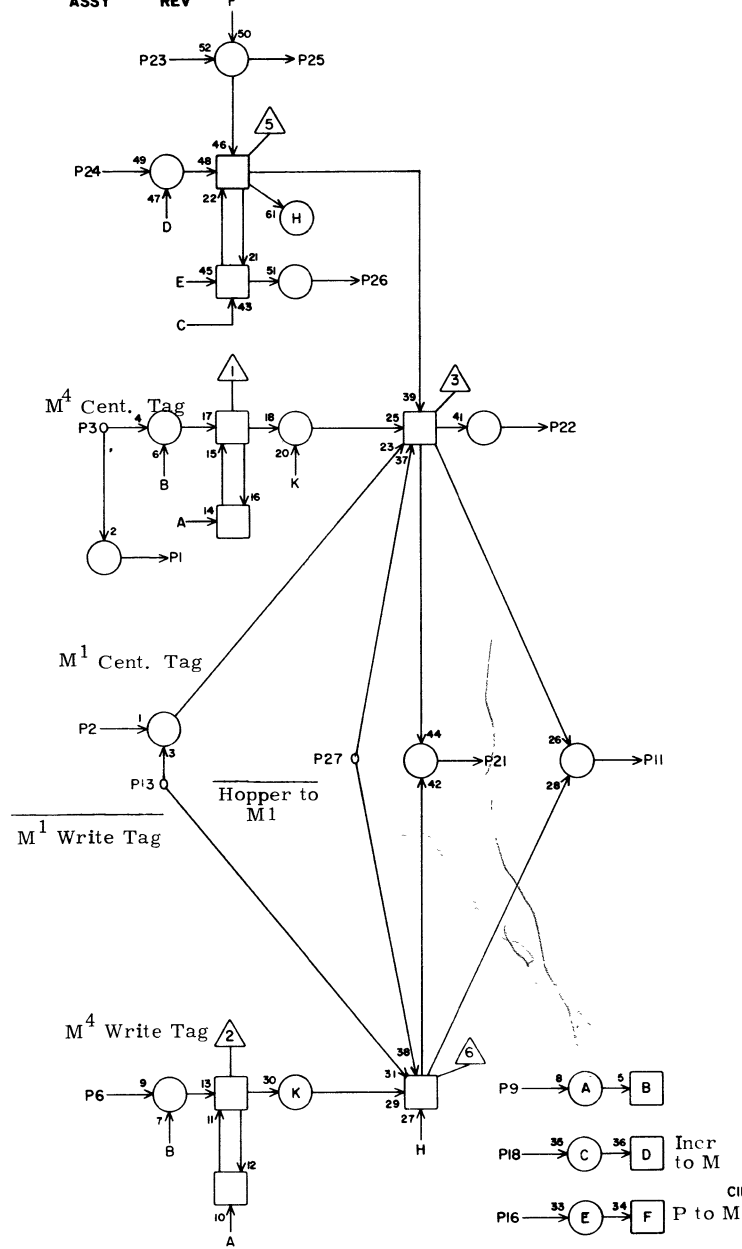
1	O31	20	9
2	R26	14	15
3	R26	6	15
4	O31	9	7
5	N37	5	13
6	L40	13	19
7	Q20	3	19
8	H06	4	43
9	Q18	18	21
10	M11	3	45
11	H05	4	41
12	P40	5	19
13	L40	15	19
14	N37	23	17
15	P38	21	47
16	P39	6	120
17	P18	10	15
18	Q19	17	19
19	P34	3	5
20			
21	H07	4	43
22	P19	12	19
23	L40	17	19
24	N38	23	13
25	O31	19	11
26	M23	15	17
27	R26	3	13
28	K39	22	23

JACK PIN LG
CIRCUIT SPECIFICATION 11827600
60150800 Rev AF

LS 63051300
ASSY REV

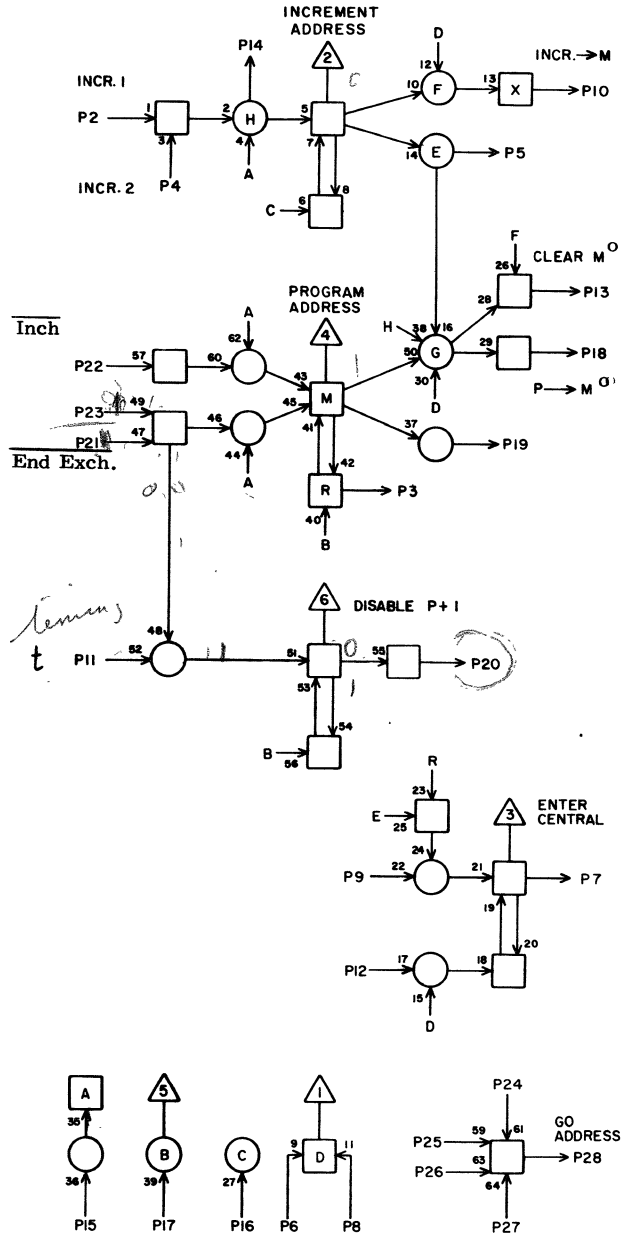
JP 01

5P36



1	O31	10	11
2	Q14	19	25
3	R27	14	17
4			
5			
6	R27	3	15
7			
8			
9	N08	7	29
10			
11	O36	13	5
12			
13	Q14	21	25
14			
15			
16	R35	26	13
17			
18	R35	8	11
19			
20			
21	O13	26	25
22	H08	9	41
23	Q04	4	33
24	Q30	19	11
25	P10	8	144
26			
27	O36	6	11
28			

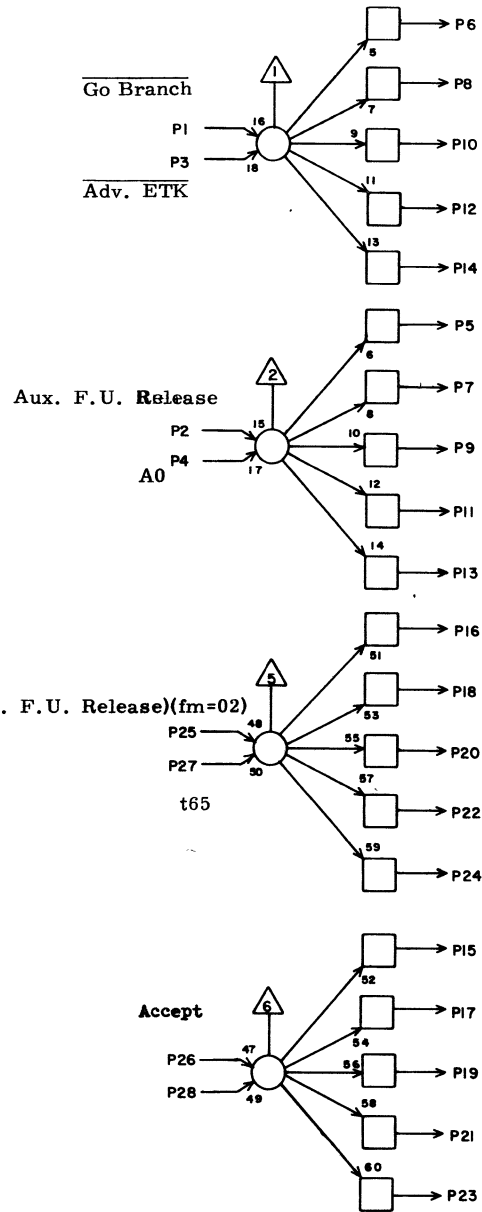
JACK PIN LG
CIRCUIT SPECIFICATION 11827600
60150800 Rev BE



JL 5P37

	JACK	PIN	LG
1			
2	Q30	14	13
3	M33	12	15
4	Q30	16	13
5	M33	16	15
6	Q36	23	21
7	Q36	18	7
8	Q36	20	7
9	N09	10	120
10	R35	5	13
11	H19	23	180
12	N09	12	29
13	R36	23	13
14	Q30	7	27
15	P12	12	25
16	R35	14	180
17	Q33	16	7
18	R35	23	13
19	Q04	1	33
20	R36	5	11
21	A21	1	60
22	G29	8	39
23	P10	10	27
24	Q36	7	7
25	Q13	24	25
26	Q33	21	9
27	Q36	15	7
28	F42	18	41

60150800 Rev. AZ

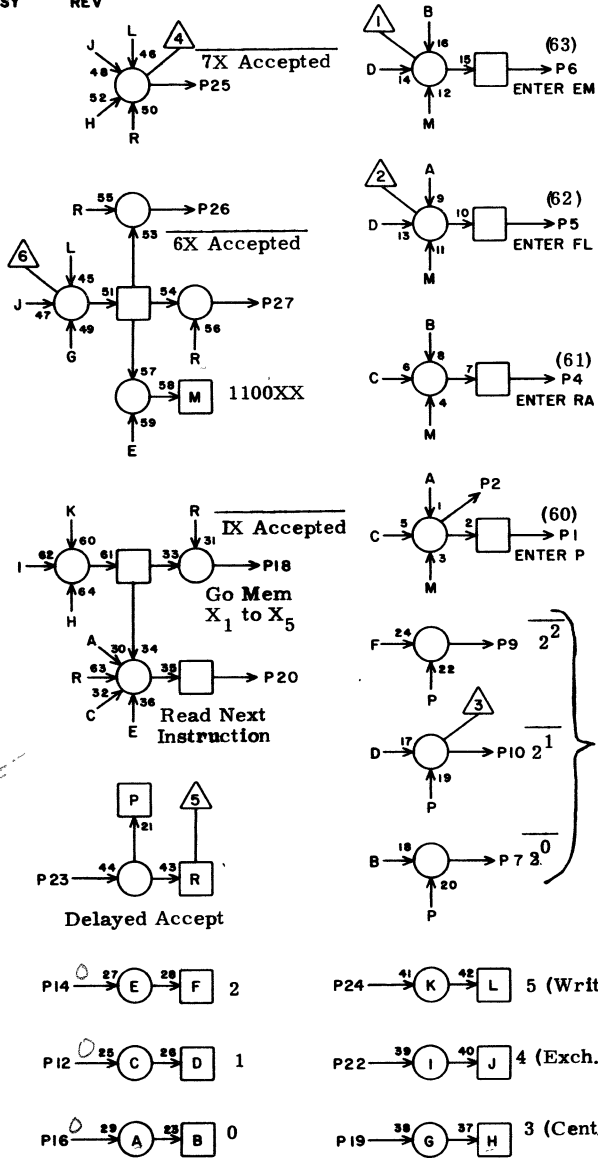


5P38

T D 5P38

	JACK	PIN	LG
1	P10	18	29
2	R30	14	17
3	R39	16	13
4	Q31	28	55
5	R37	28	55
6	P19	4	21
7			
8	L10	3	31
9			
10	L13	15	29
11			
12			
13			
14			
15	Q39	16	7
16	Q07	9	31
17	M25	25	17
18	Q08	9	29
19	M24	7	17
20	Q09	9	29
21	P35	15	47
22	Q10	9	29
23			
24	Q11	12	29
25	L18	17	25
26	R30	25	15
27	M09	2	33
28	Q31	10	11

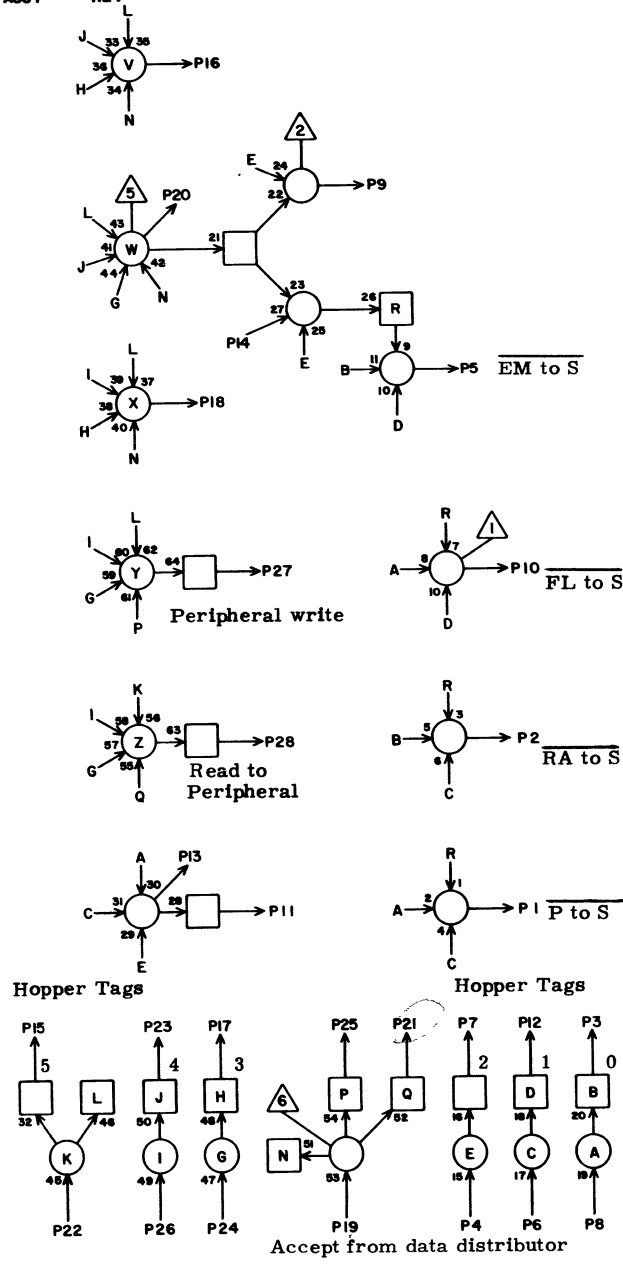
60150800 Rev. AW



1	O39	14	47
2	I02	21	45
3			
4	N25	23	120
5	N24	5	120
6	P35	16	120
7	K37	17	23
8			
9	K37	9	23
10	K37	10	23
11			
12	R28	25	17
13			
14	R28	17	17
15			
16	R28	26	17
17			
18	O37	28	9
19	R29	26	17
20	R33	23	15
21			
22	R29	25	17
23	R33	10	13
24	R29	17	15
25	O37	1	7
26	O37	6	9
27	H42	10	33
28			

JACK PIN LG
CIRCUIT SPECIFICATION 11827600

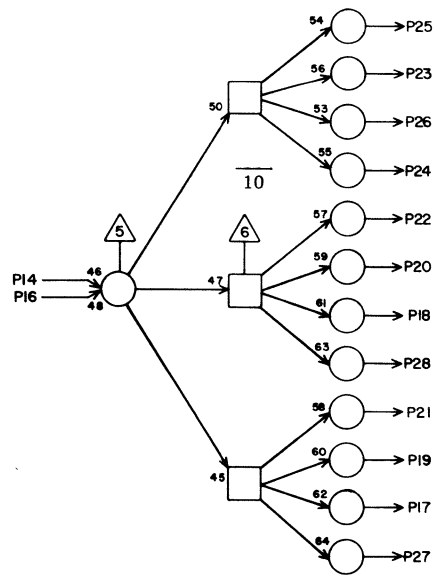
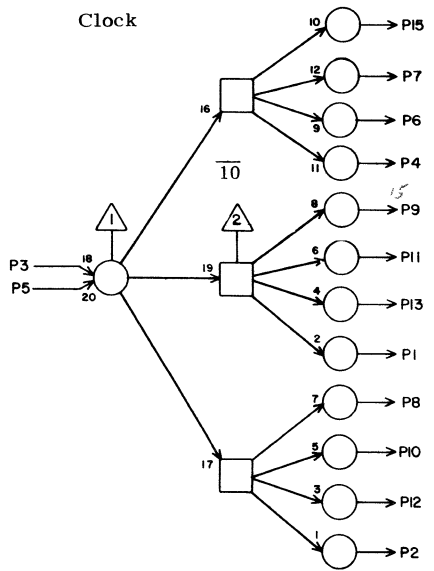
60150800 Rev AW



1	N27	23	17
2	N25	5	17
3	G39	6	37
4	R26	19	19
5	P35	12	9
6	R26	27	19
7	G39	26	35
8	R26	28	19
9	O38	10	7
10	N24	23	17
11	O38	7	7
12	G39	8	37
13	O38	5	7
14			
15			
16	O38	6	7
17			
18	O38	8	7
19	O40	25	5
20	O38	4	7
21	R30	8	15
22	R27	19	17
23	H24	26	35
24	R27	28	17
25			
26	R27	27	17
27	K38	18	23
28	K38	13	23

JACK PIN LG
CIRCUIT SPECIFICATION 11827600

60150800 Rev AW



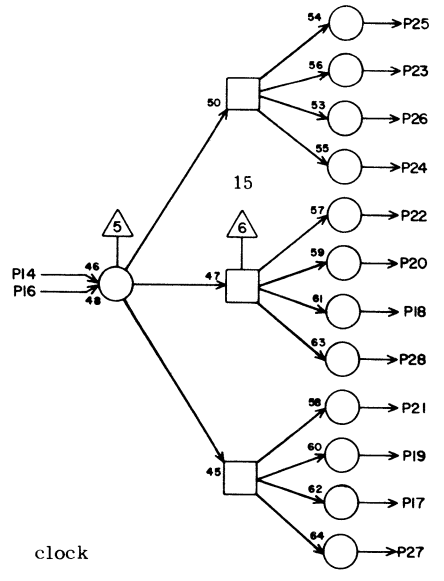
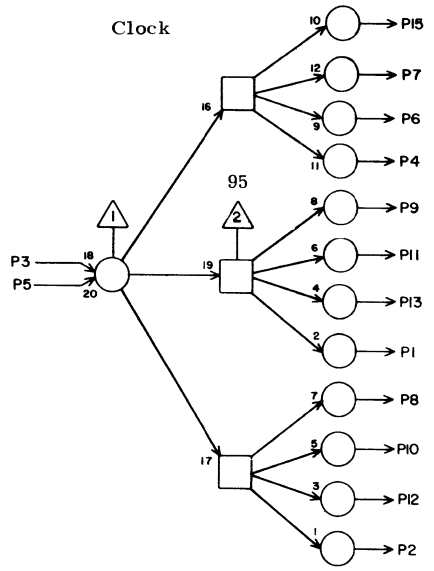
TC

5P41

1	Q37	19	11
2	Q39	19	7
3	H18	25	39
4	Q35	19	11
5			
6	K25	10	29
7	Q34	19	13
8	L23	10	25
9	K07	19	37
10	Q38	19	7
11	Q36	19	11
12	Q30	23	15
13	J40	14	27
14	H18	23	41
15	K24	10	29
16			
17	I21	4	37
18	I30	26	120
19	R41	19	13
20	Q42	19	5
21	Q04	19	35
22	M33	14	96
23	Q40	19	5
24	Q41	19	5
25	O40	5	9
26	P20	20	25
27	R42	19	11
28	R40	19	11

JACK PIN LG

CIRCUIT SPECIFICATION I1827600
60150800 Rev S



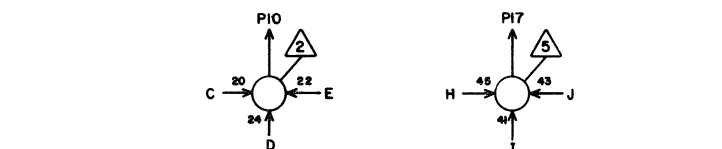
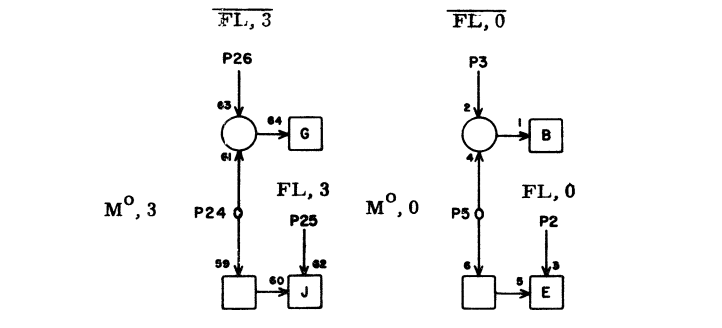
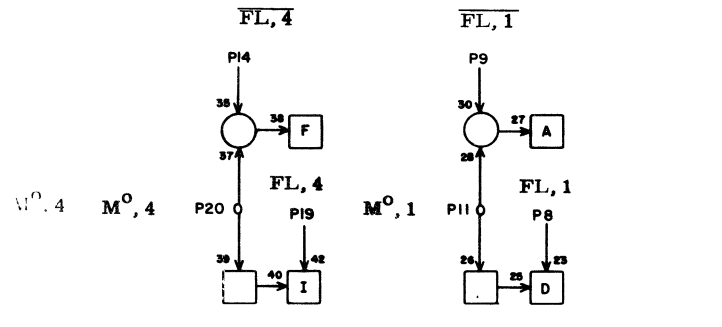
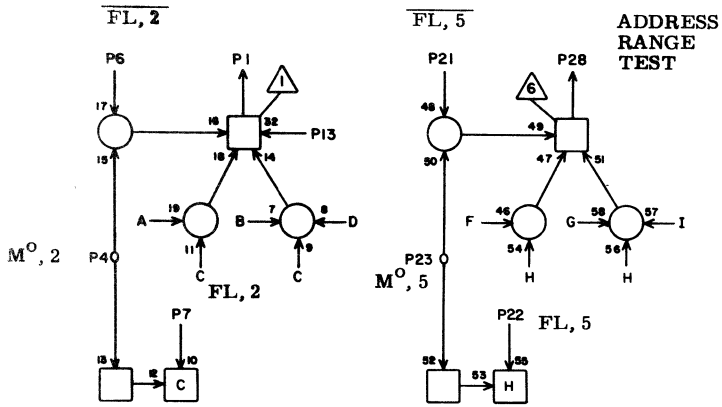
TC

5P42

1			
2			
3	P12	27	120
4	H41	17	33
5			
6	H40	17	33
7	H39	17	33
8			
9	H42	17	33
10			
11	I41	17	29
12			
13			
14	P11	2	156
15	H38	17	33
16			
17			
18			
19	O31	17	15
20			
21			
22	K42	17	23
23	J42	17	27
24	K41	17	23
25	J41	17	27
26			
27			
28	M41	17	17

JACK PIN LG

CIRCUIT SPECIFICATION I1827600
60150800 Rev B

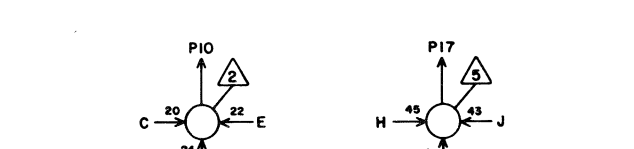
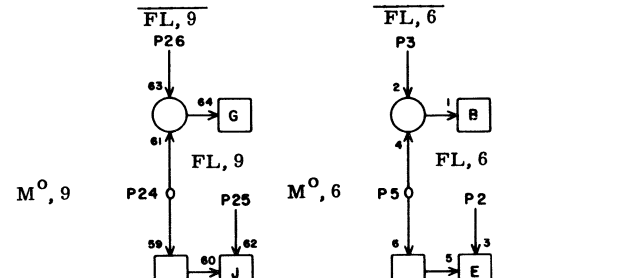
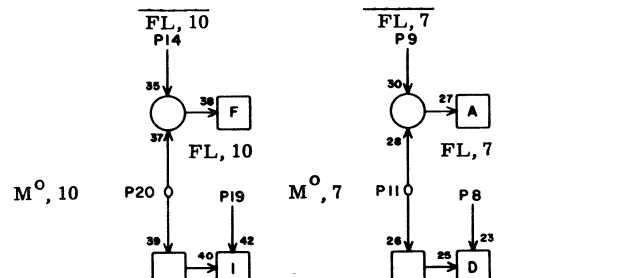
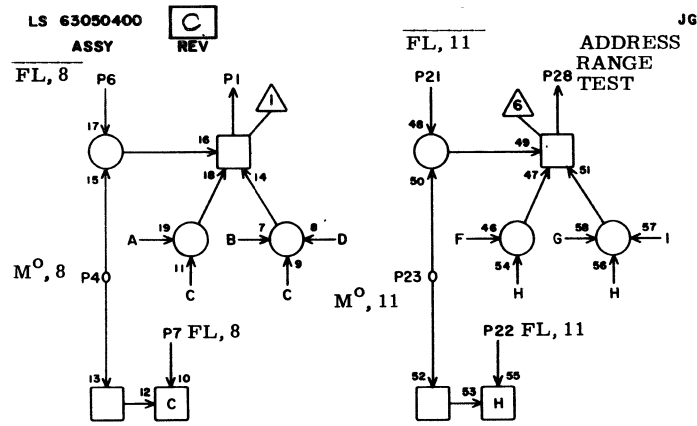


KX 5Q01

1	013	9	13
2	L36	5	41
3	L36	4	41
4	001	3	11
5	001	26	11
6	L36	11	39
7	L36	14	39
8	L36	10	39
9	L36	9	39
10	Q01	13	3
11	001	9	11
12			
13	Q01	10	3
14	L37	9	41
15			
16			
17	013	10	15
18			
19	L37	10	41
20	002	9	13
21	L37	11	41
22	L37	14	45
23	002	3	13
24	002	26	13
25	L37	5	41
26	L37	4	41
27			
28	013	17	17

JACK PIN LG

60150800 Rev. B



5Q02

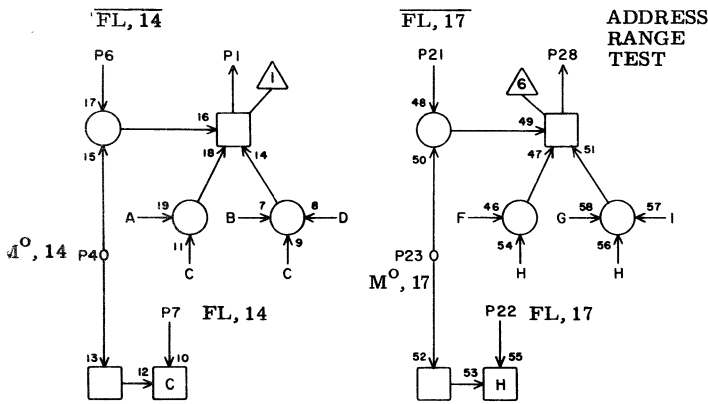
JG 5Q02

1	013	14	15
2	L33	5	41
3	L38	4	41
4	003	3	11
5	003	26	11
6	L38	11	41
7	L38	14	41
8	L38	10	41
9	L38	9	41
10	013	7	15
11	003	9	11
12			
13			
14	L39	9	41
15			
16			
17	013	8	15
18			
19	L39	10	41
20	004	9	13
21	L39	11	41
22	L39	14	41
23	004	3	13
24	004	26	13
25	L39	5	41
26	L39	4	41
27			
28	013	16	15

JACK PIN LG

CIRCUIT SPECIFICATION 11827600

60150800 Rev B

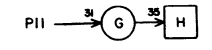
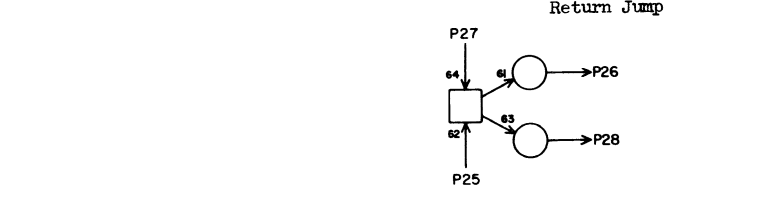
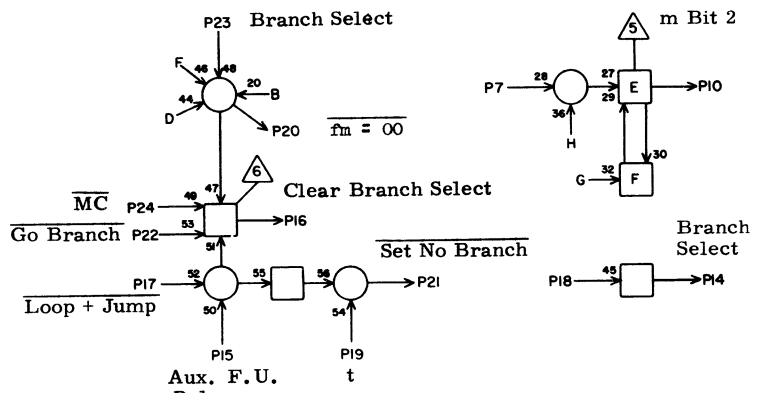
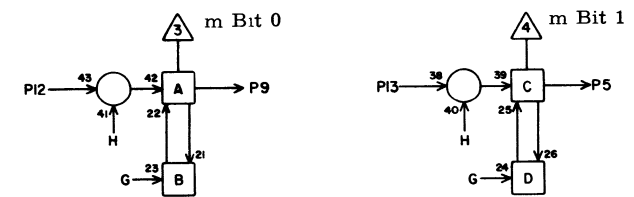
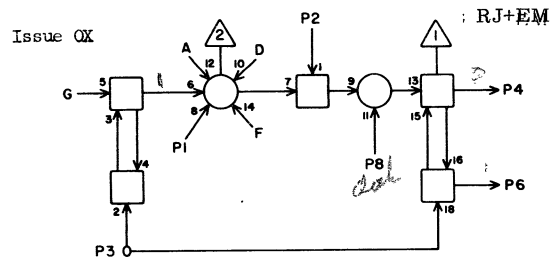


ADDRESS RANGE TEST

JG 5Q03

1	013	15	15
2	L40	5	41
3	L40	4	41
4	005	3	13
5	005	26	13
6	L40	11	41
7	L40	14	41
8	L40	10	41
9	L40	9	41
10	013	13	15
11	005	9	13
12			
13			
14	M34	9	35
15			
16			
17	013	11	15
18			
19	M34	10	35
20	006	9	13
21	M34	11	35
22	M34	14	35
23	006	3	13
24	006	26	13
25	M34	5	35
26	M34	4	35
27			
28	Q06	14	5

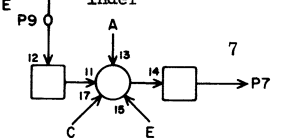
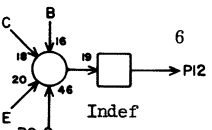
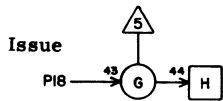
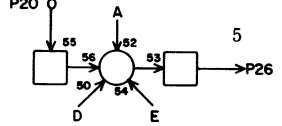
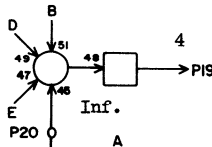
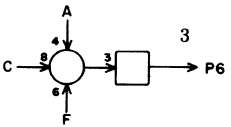
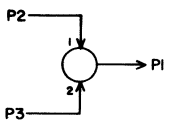
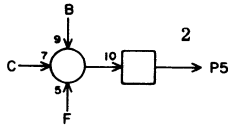
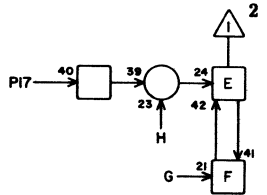
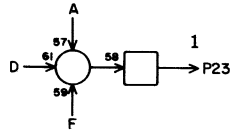
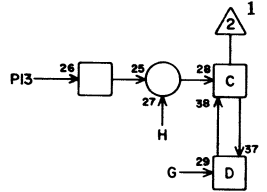
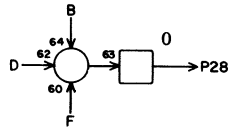
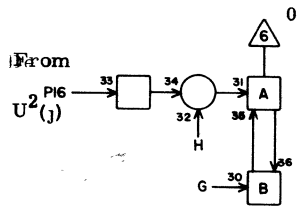
JACK PIN LG



CU 5Q04

1	P37	19	33
2	G20	13	43
3	P10	9	11
4	P36	23	33
5	R38	15	33
6	P10	5	11
7	E32	2	180
8	P12	19	60
9	R38	17	33
10	R38	18	33
11	F38	9	55
12	E32	10	180
13	E32	5	180
14	P18	6	17
15	R30	26	27
16	F38	1	180
17	R37	8	31
18	Q26	10	156
19	P41	21	35
20	F22	2	47
21	L14	15	25
22	P10	16	11
23	P18	13	17
24	N21	26	17
25	P10	13	11
26	Q20	8	17
27	L08	17	25
28	013	3	15

JACK PIN LG



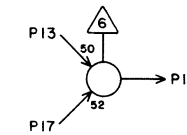
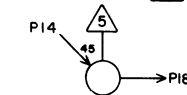
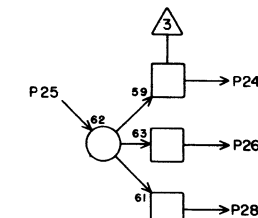
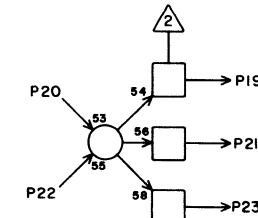
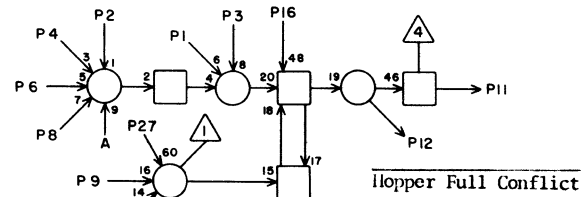
CV 5Q05

1	H04	9	35
2	R38	19	33
3	R38	16	33
4			
5	R38	23	33
6	R38	22	33
7	R38	2	31
8			
9	042	27	37
10			
11			
12	R38	4	33
13	G20	24	43
14			
15			
16	G20	27	43
17	G20	12	43
18	E28	27	51
19	R38	6	33
20	042	17	
21			
22			
23	R38	26	33
24			
25			
26	R38	5	33
27			
28	R38	27	33

JACK PIN LG

60150800 Rev. B

LS 63040200 ASSY D REV



AC 5Q06

1	Q31	20	25
2	Q19	27	
3	Q06	24	
4	P21	19	17
5	H22	10	43
6			
7	O36	5	29
8	O36	3	27
9	H19	20	49
10	O41	10	31
11			
12	E31	14	49
13	Q06	18	3
14	Q03	28	5
15	O13	18	13
16	F21	9	51
17	N23	27	23
18	Q06	13	3
19	G27	21	45
20	P21	26	17
21			
22	G26	24	45
23			
24	Q06	3	
25	R33	3	25
26	Q20	25	17
27	P20	24	19
28	R39	5	31

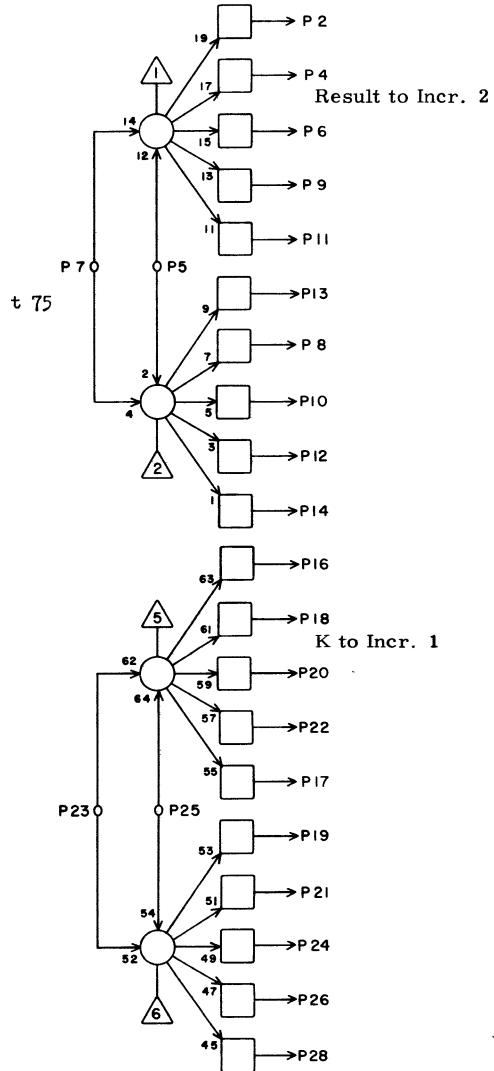
JACK PIN LG

CIRCUIT SPECIFICATION I1827600

60150800 Rev. BE

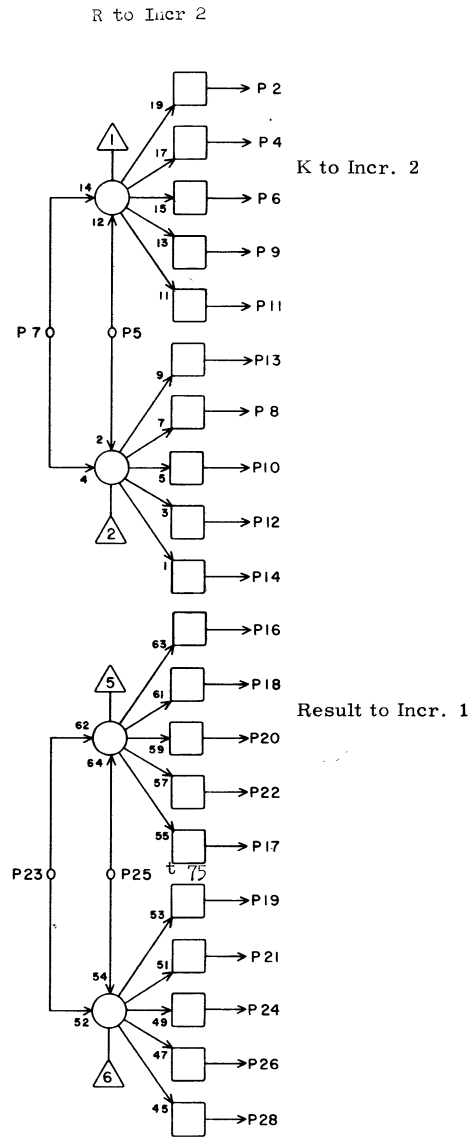
5Q06

INCREMENT REGISTER GATES



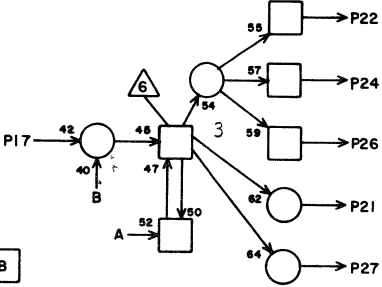
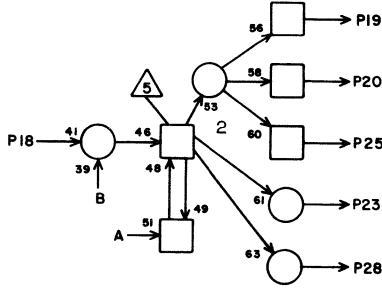
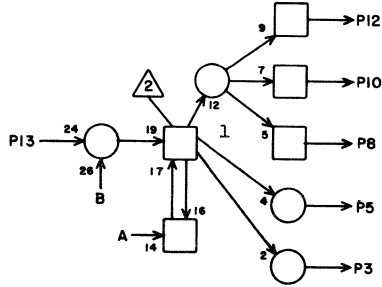
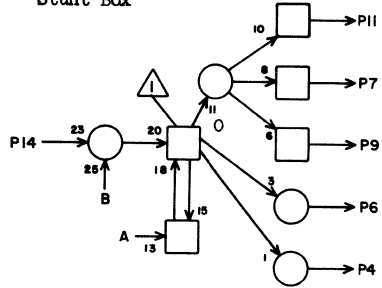
HC		5907	
JACK	PIN	LG	
1			
2	P01	11	11
3			
4	P02	11	7
5	R32	6	108
6	P03	11	7
7	P09	7	29
8	P07	11	5
9	P04	11	7
10	P08	11	7
11	P05	11	7
12	P03	11	7
13	P06	11	7
14			
15			
16	P01	19	11
17			
18	P07	19	5
19	P02	19	9
20	P06	19	5
21	P09	19	5
22	P05	19	7
23			
24	P04	19	9
25	G26	21	120
26	P03	19	9
27			
28	P08	19	7

INCREMENT REGISTER GATES



HC		5908	
JACK	PIN	LG	
1			
2	P08	17	5
3			
4	P04	17	7
5	G27	8	120
6	P03	17	9
7			
8	P09	17	5
9	P05	17	7
10	P01	17	11
11	P06	17	7
12	P02	17	9
13	P07	17	5
14			
15			
16	P01	15	11
17	P02	15	9
18	P07	15	7
19			
20	P06	15	7
21	P09	15	7
22	P05	15	9
23	R32	3	108
24	P04	15	9
25	P09	6	29
26	P03	15	7
27			
28	P08	15	7

M¹
Stunt Box



PD 5009

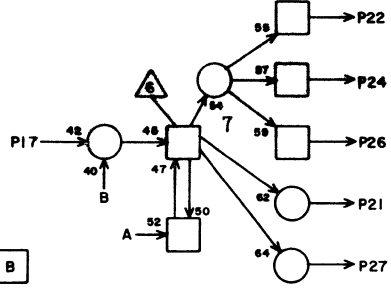
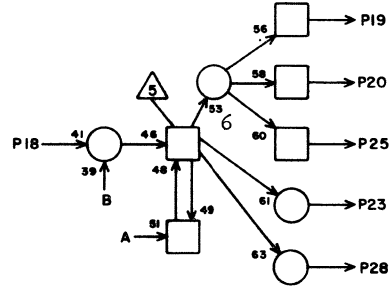
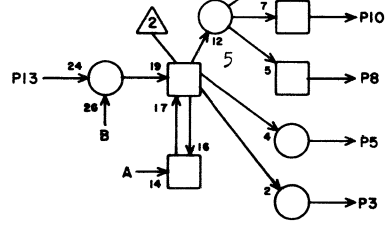
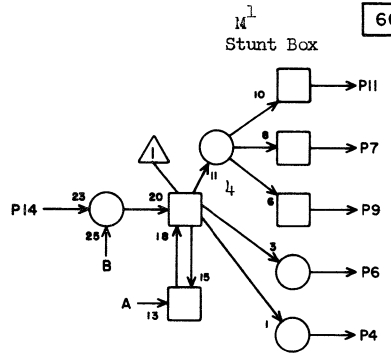
1			
2			
3	Q34	12	25
4	Q34	4	27
5	Q40	12	31
6	Q40	4	31
7	R20	10	15
8	R20	6	15
9			
10			
11			
12			
13	Q22	8	15
14	Q22	9	15
15			
16	P11	15	7
17	Q22	19	15
18	Q22	10	15
19	R20	7	15
20			
21	Q35	4	27
22	R21	10	15
23	Q34	27	25
24			
25			
26			
27	Q41	4	31
28	Q40	27	31

JACK PIN LG

6601 & 6613 ONLY

PD

5Q10



5Q10

1			
2			
3	Q35	27	25
4	Q35	12	27
5	Q41	27	31
6	Q41	12	31
7	R21	6	15
8	R21	7	15
9			
10			
11			
12			
13	Q22	20	15
14	Q22	21	15
15			
16	P11	7	7
17	Q23	8	15
18	Q23	9	15
19	R22	10	15
20			
21	Q36	12	27
22	R22	6	15
23	Q36	4	27
24			
25			
26			
27	Q42	12	31
28	Q42	4	31

JACK PIN LG

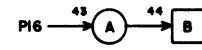
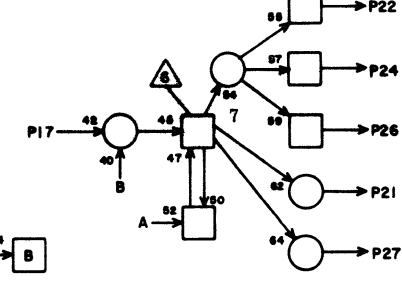
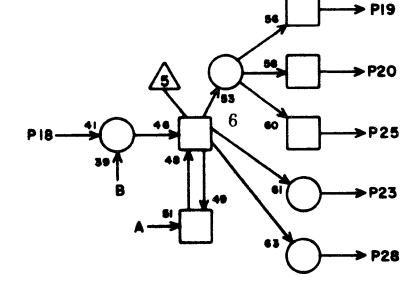
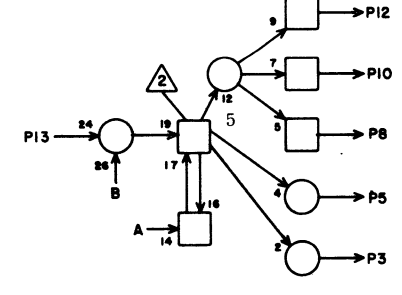
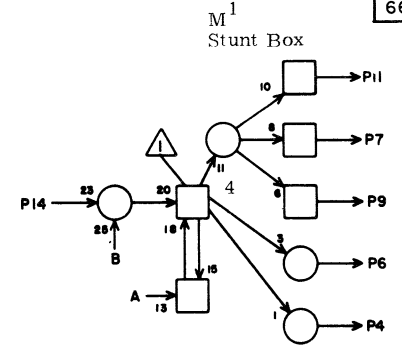
60150800 Rev. A

6604 & 6614 ONLY

PD

5Q10

LOWEST ADDRESS BIT



5Q10

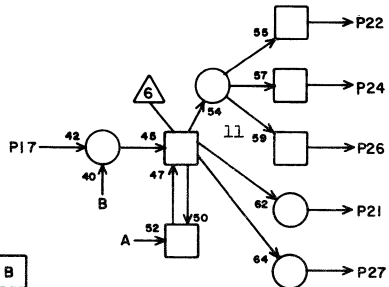
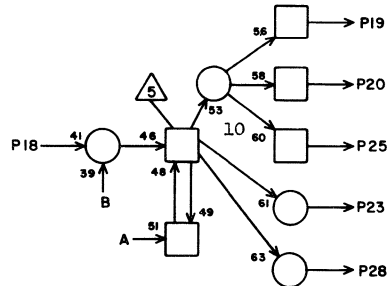
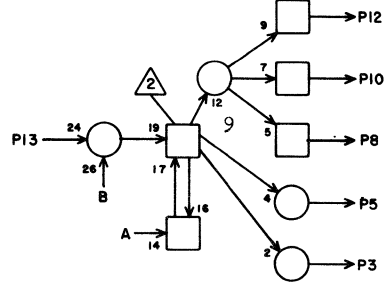
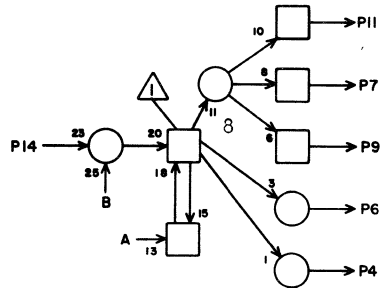
1			
2			
3	Q36	4	25
4	Q35	27	25
5	Q41	27	31
6	Q41	12	31
7	R21	6	15
8	R21	7	15
9			
10			
11			
12			
13	Q22	20	15
14	Q22	21	15
15			
16	P11	7	7
17	Q23	8	15
18	Q23	9	15
19	R22	10	15
20			
21	Q36	27	25
22	R22	6	15
23	Q36	12	55
24			
25			
26			
27	Q42	12	31
28	Q42	4	31

JACK PIN LG

60150800 Rev. A

M¹
Stunt Box
6601 & 6613 ONLY

PD 5Q11

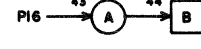
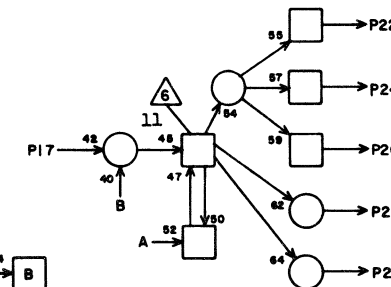
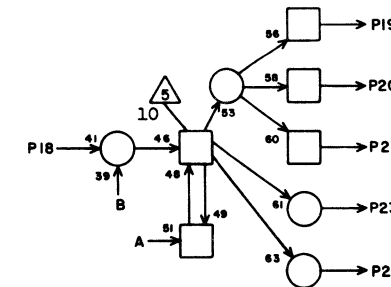
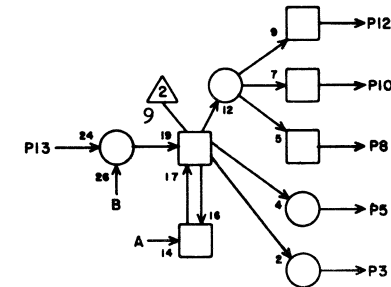
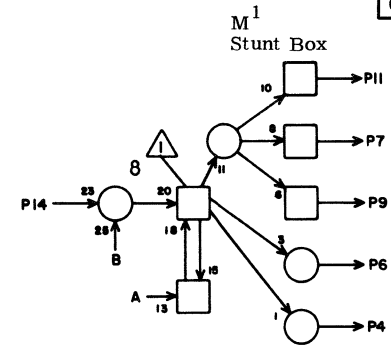


	JACK	PIN	LG
1			
2			
3	Q37	4	27
4	Q36	27	27
5	R40	4	29
6	Q42	27	31
7	R22	7	15
8	R23	10	15
9			
10			
11			
12			
13	Q23	19	15
14	Q23	10	15
15			
16	P11	6	7
17	Q23	20	15
18	Q23	21	15
19	R23	6	15
20			
21	Q37	27	27
22	R23	7	15
23	Q37	12	27
24			
25			
26			
27	R40	27	29
28	R40	12	29

60150800 Rev. A

6604 & 6614 ONLY

PD 5Q11



	JACK	PIN	LG
1			
2			
3	Q37	12	23
4	Q37	4	23
5	R40	4	29
6	Q42	27	31
7	R22	7	15
8	R23	10	15
9			
10			
11			
12			
13	Q23	19	15
14	Q23	10	15
15			
16	P11	6	7
17	Q23	20	15
18	Q23	21	15
19	R23	6	15
20			
21	Q38	4	23
22	R23	7	15
23	Q37	27	23
24			
25			
26			
27	R40	27	29
28	R40	12	29

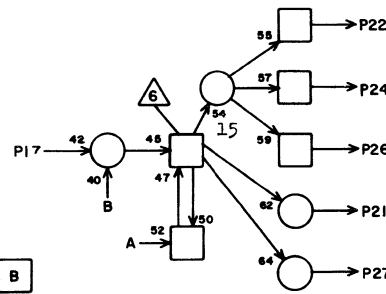
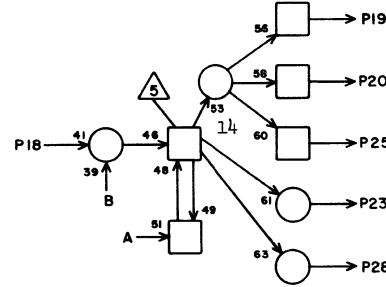
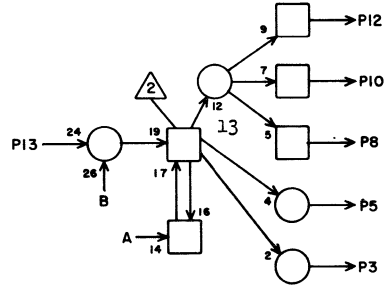
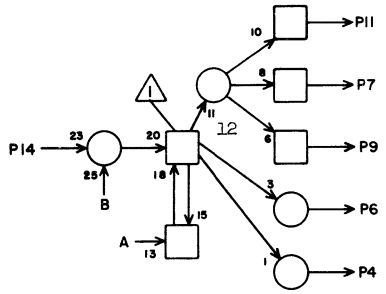
60150800 Rev. A

M¹
Stunt Box

6601 & 6613 ONLY

PD

5Q12



1			
2			
3	Q38	12	27
4	Q38	4	27
5	R41	12	29
6	R41	4	29
7	R24	10	15
8	R24	6	15
9			
10			
11			
12			
13	Q24	8	15
14	Q24	9	15
15			
16	P11	4	7
17	Q24	19	15
18	Q24	10	15
19	R24	7	15
20			
21	Q39	4	27
22	R25	10	17
23	Q38	27	27
24			
25			
26			
27	R42	4	31
28	R41	27	29

JACK PIN LG

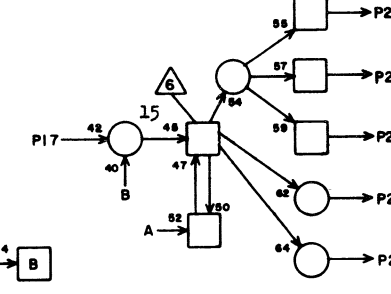
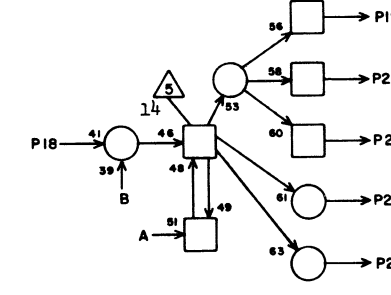
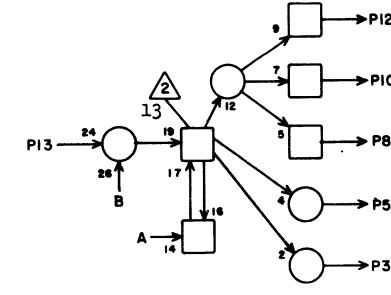
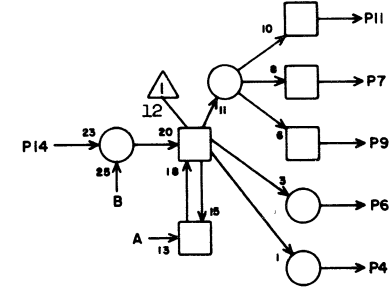
60150800 Rev. A

6604 & 6614 ONLY

M¹
Stunt Box

PD

5Q12



1			
2			
3	Q38	27	21
4	Q38	12	21
5	R41	12	29
6	R41	4	29
7	R24	10	15
8	R24	6	15
9			
10			
11			
12			
13	Q24	8	15
14	Q24	9	15
15			
16	P11	4	7
17	Q24	19	15
18	Q24	10	15
19	R24	7	15
20			
21	Q39	12	23
22	R25	10	17
23	Q39	4	23
24			
25			
26			
27	R42	4	31
28	R41	27	29

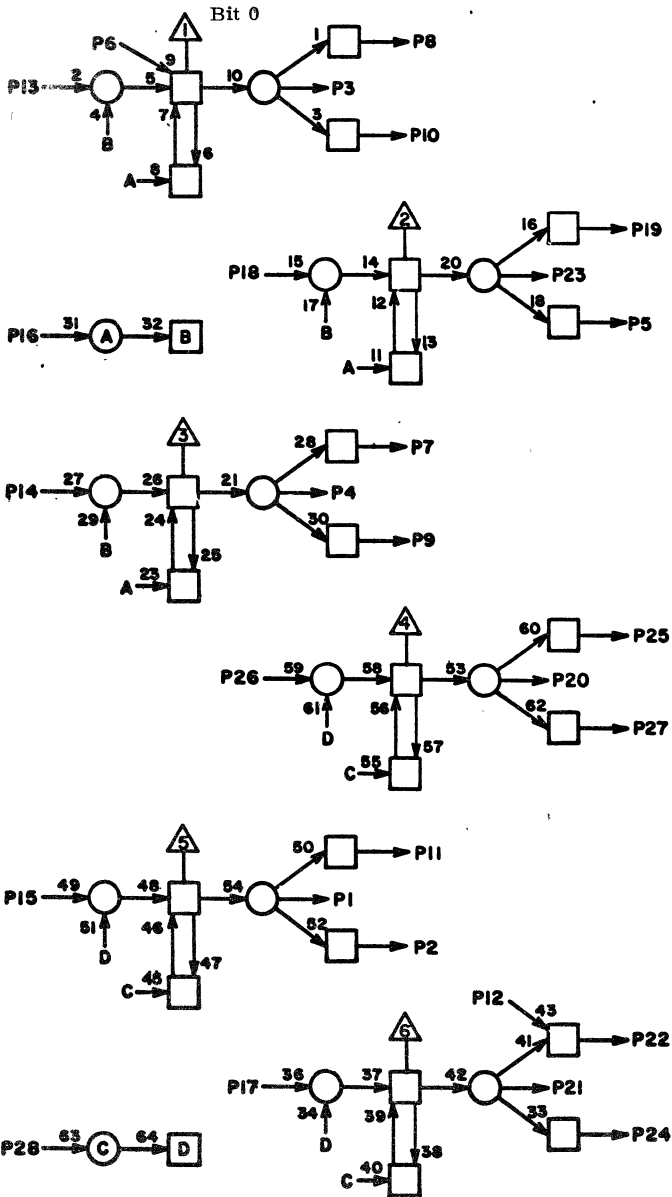
JACK PIN LG

60150800 Rev. A

LS 18058500
ASSY REV A

6601/6613 ONLY

RV



Q13			
1			
2			
3			
4	R42	12	29
5	R25	7	17
6	G40	18	53
7	R25	6	15
8			
9	R39	28	27
10	R26	12	15
11			
12	GND	X	2
13	Q25	9	15
14	Q24	21	15
15			
16	I25	6	108
17	Q25	8	15
18	Q24	20	15
19			
20	P19	18	11
21			
22	R26	5	15
23			
24			
25			
26	O37	2	31
27			
28	N07	14	19

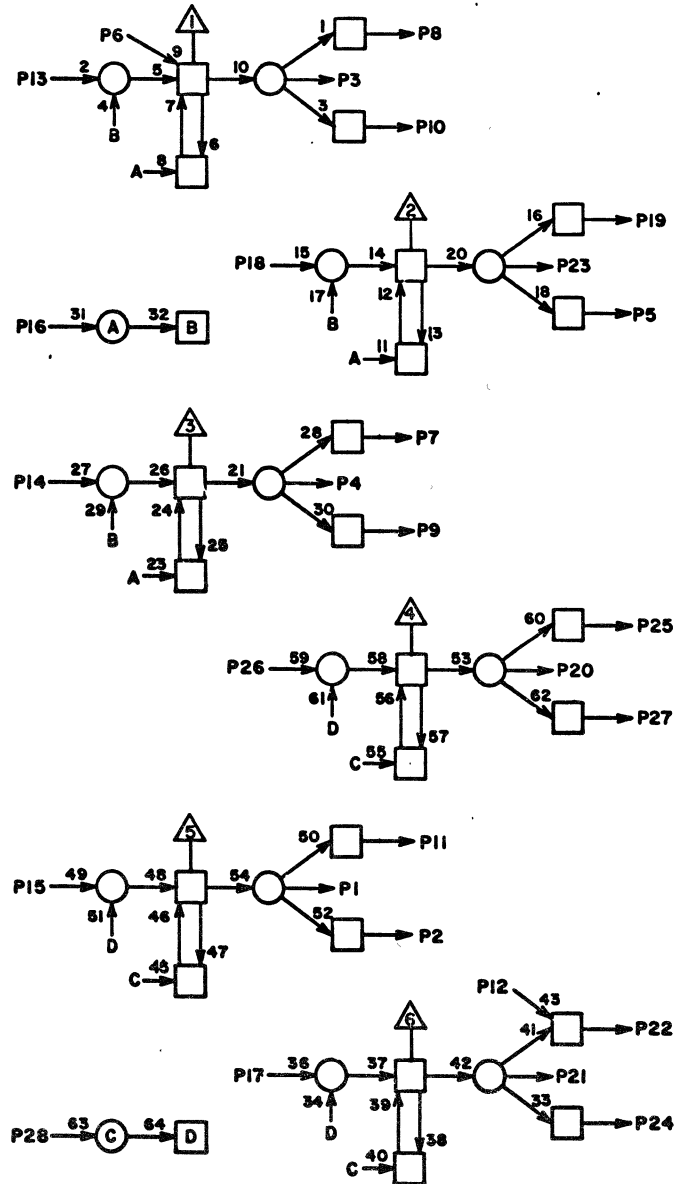
JACK PIN LG
CIRCUIT SPECIFICATION
11827600

60150800 Rev. AV

LS 18058500
ASSY REV A

6604/6614 ONLY

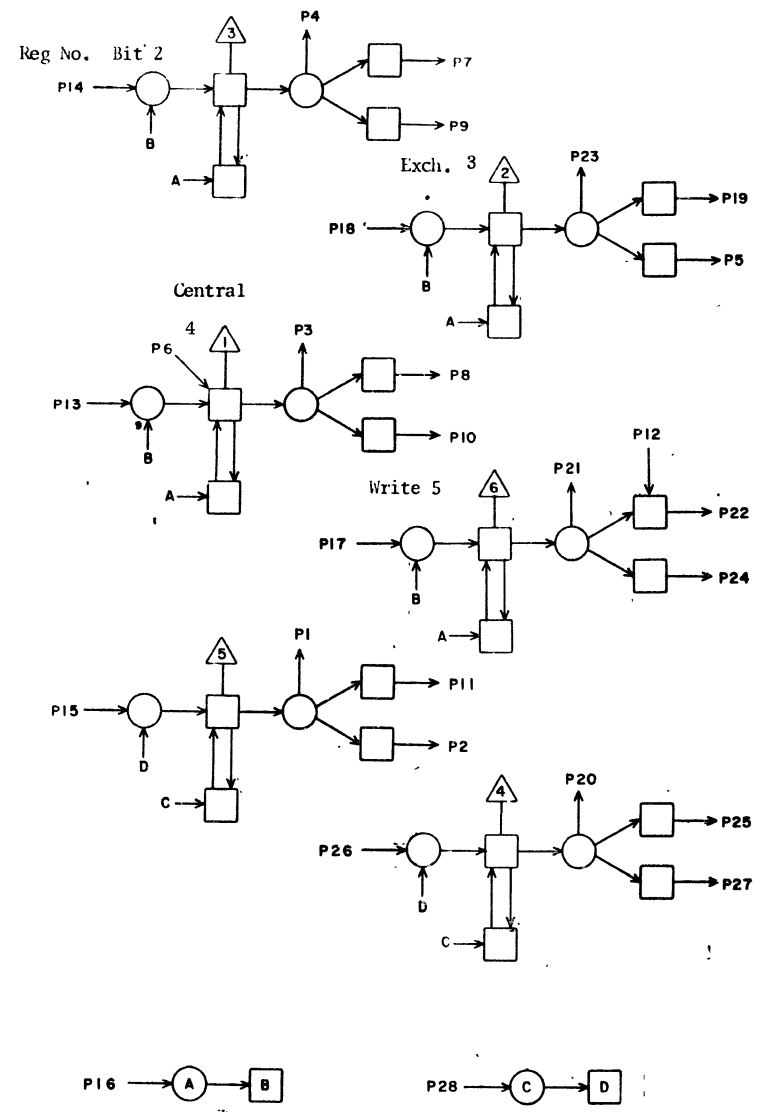
RV



Q13			
1			
2			
3			
4	R42	12	29
5	R25	7	17
6	G40	18	53
7	R25	6	15
8			
9	R39	28	27
10	R26	12	15
11			
12	GND	X	2
13	Q25	9	15
14	Q24	21	15
15			
16			
17	Q25	8	15
18	Q24	20	15
19			
20	P19	18	11
21			
22	R26	5	15
23			
24			
25			
26	O37	2	31
27			
28	N07	14	19

JACK PIN LG
CIRCUIT SPECIFICATION
11827600

60150800 Rev. AU

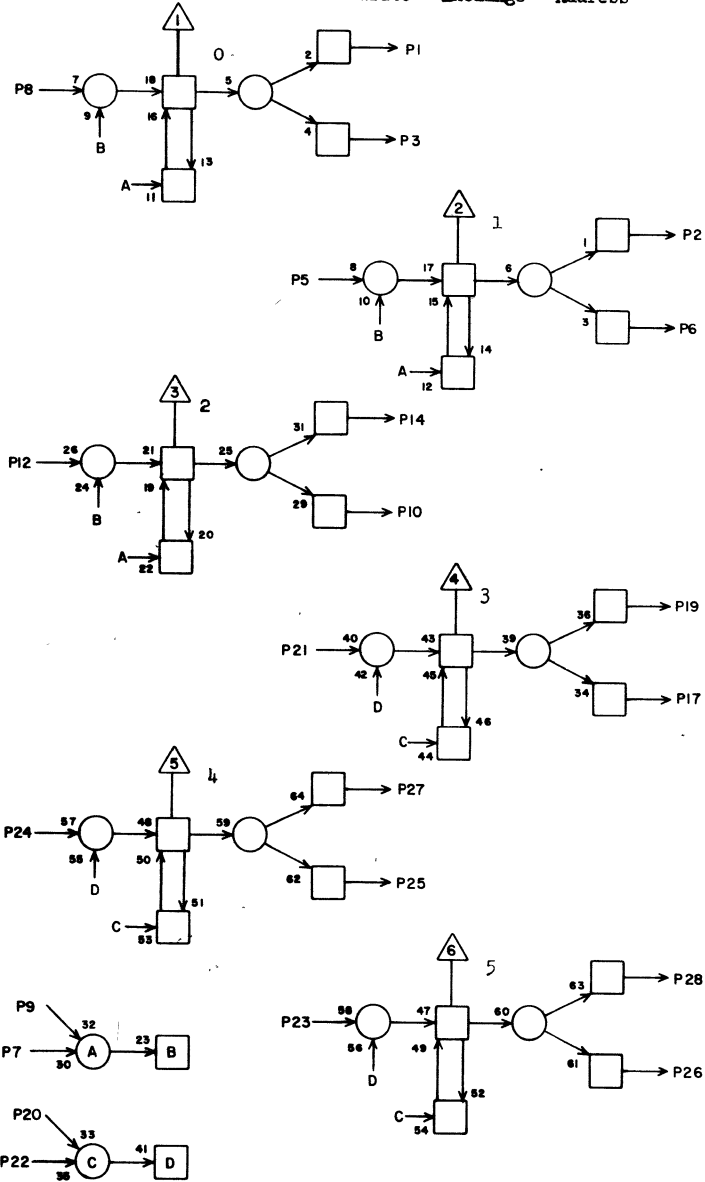


RV	JACK	PIN	LG
1			
2			
3			
4			
5	R27	12	17
6	P19	13	9
7	R26	8	13
8	R27	5	17
9			
10			
11	H36	15	43
12	GND	X	2
13	Q25	21	15
14	Q25	10	15
15	Q20	16	9
16	P11	11	7
17	N07	17	19
18	Q25	19	15
19	P36	2	25
20			
21	P36	13	25
22	K38	11	41
23			
24	P19	20	17
25	H36	26	41
26	H36	11	41
27			
28	Q31	24	25

JACK PIN LG
CIRCUIT SPECIFICATION 11827600

PERIPHERAL

Read - Write - Exchange - Address



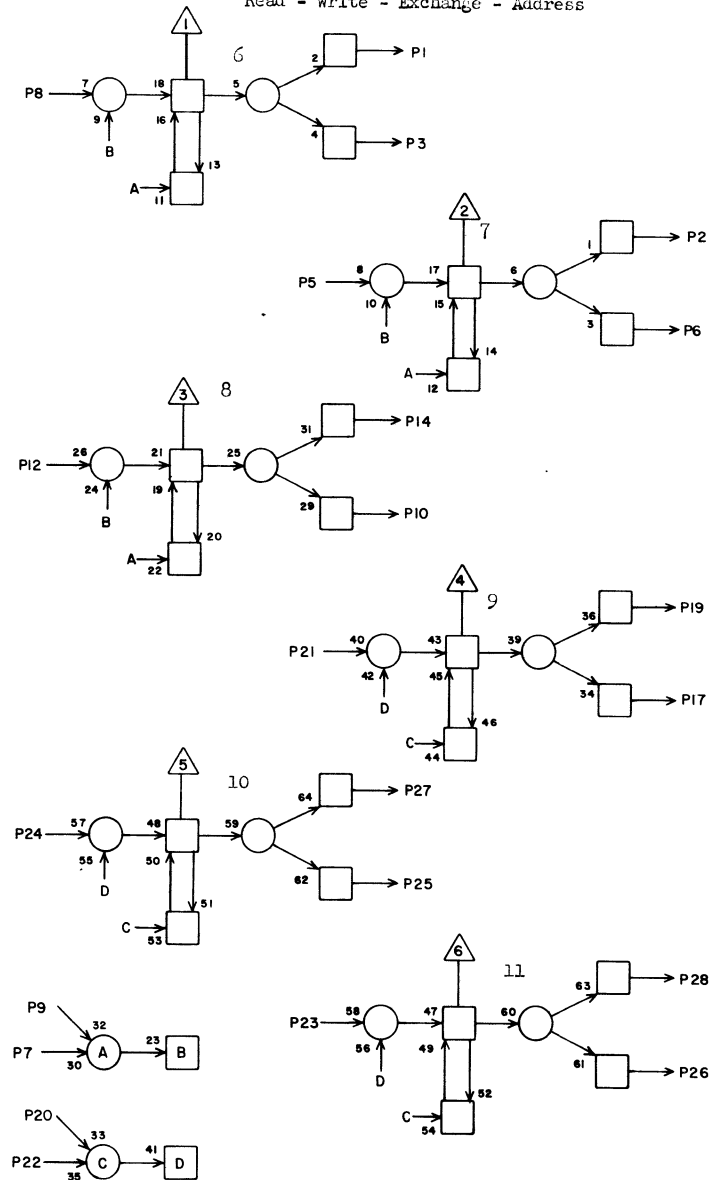
PA

5615

1	R14	13	7
2	R14	14	7
3	Q22	2	11
4			
5	Q27	8	15
6	Q22	1	11
7	Q31	15	19
8	Q27	9	15
9			
10	R14	18	7
11			
12	Q27	10	15
13			
14	Q22	12	11
15			
16			
17	R15	13	7
18			
19	Q22	17	11
20	Q31	7	19
21	Q27	19	15
22			
23	Q27	20	15
24	Q27	21	15
25	R15	14	5
26	R15	18	5
27	Q22	28	9
28	Q22	27	11
	JACK	PIN	LG

PERIPHERAL

Read - Write - Exchange - Address



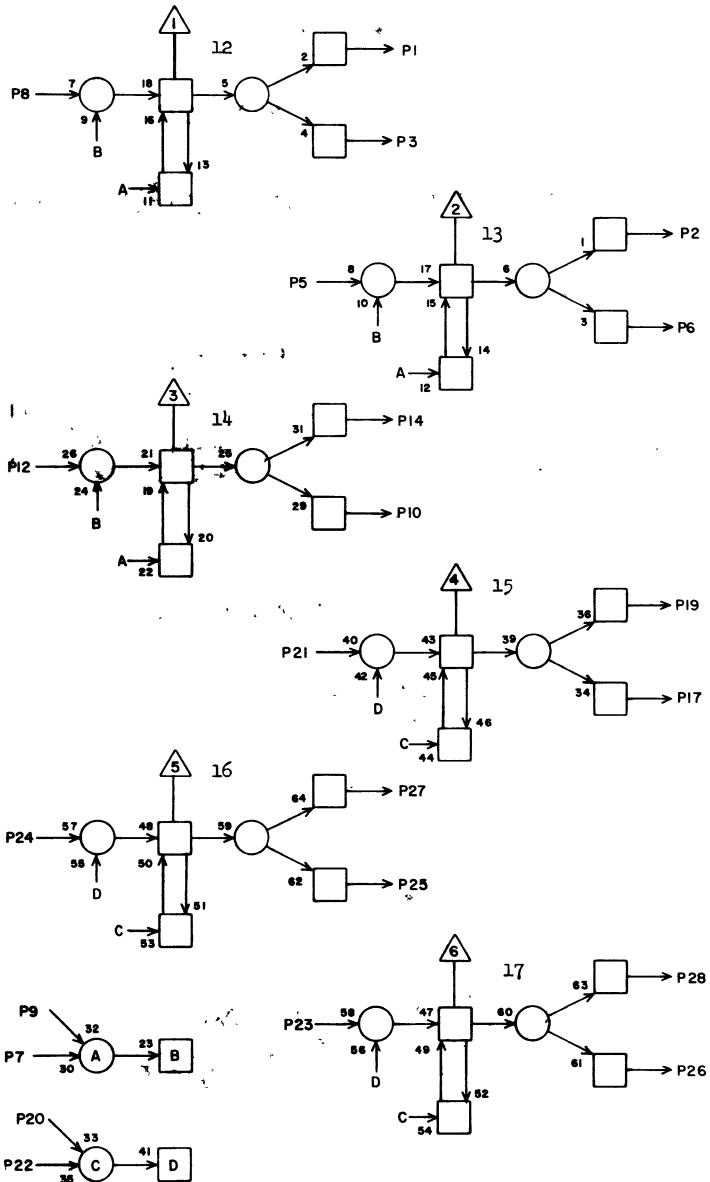
PA

5616

1	R16	13	7
2	R16	14	7
3	Q23	2	11
4			
5	Q28	8	15
6	Q23	1	11
7	Q31	6	17
8	Q28	9	15
9			
10	R16	18	7
11			
12	Q28	10	15
13			
14	Q23	12	11
15			
16			
17	R17	13	5
18			
19	Q23	17	11
20	Q31	11	17
21	Q28	19	15
22			
23	Q28	20	15
24	Q28	21	15
25	R17	14	5
26	R17	18	5
27	Q23	28	11
28	Q23	27	11
	JACK	PIN	LG

PERIPHERAL

Read - Write - Exchange - Address



PA

5Q17

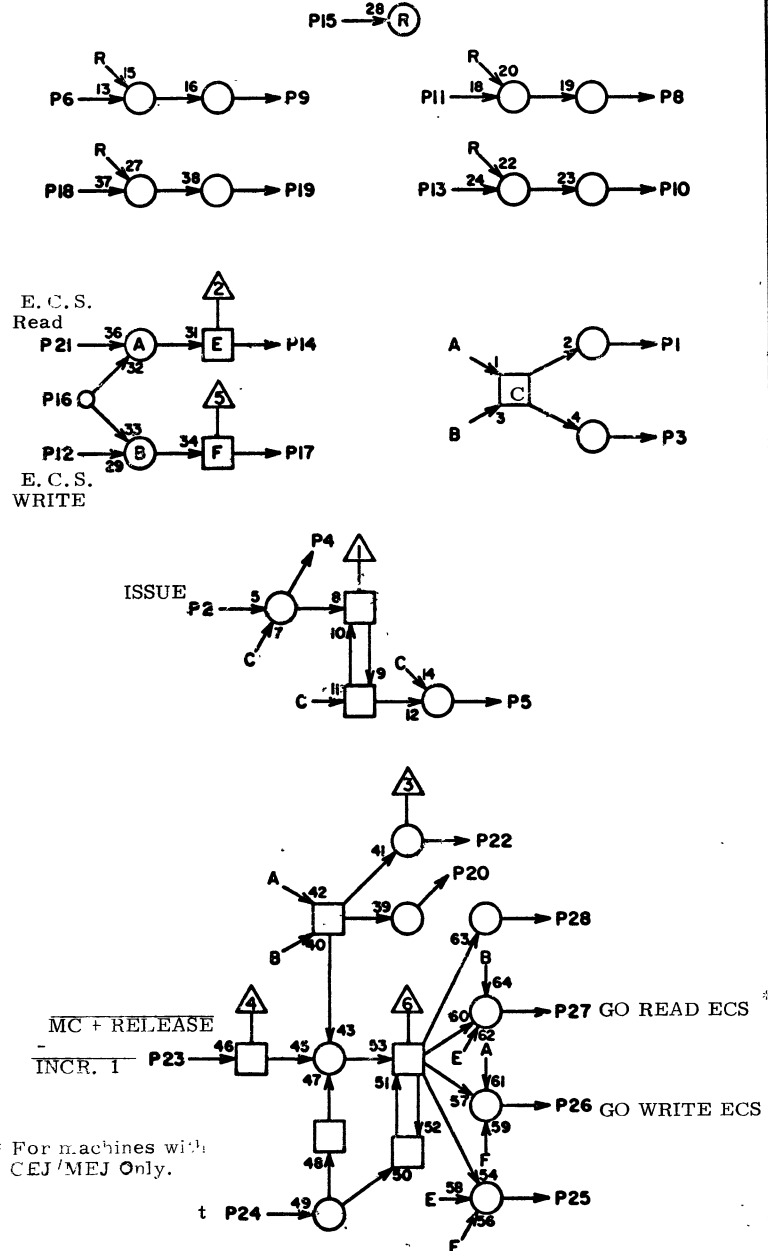
JACK	PIN	LG
1	R18	13 7
2	R18	14 7
3	Q24	2 11
4		
5	Q29	8 15
6	Q24	1 11
7	Q31	4 19
8	Q29	9 15
9		
10	R18	18 7
11		
12	Q29	10 15
13		
14	Q24	12 11
15		
16		
17	R19	13 7
18		
19	Q24	17 11
20	Q31	9 17
21	Q29	19 19
22		
23	Q29	20 15
24	Q29	21 15
25	R19	14 5
26	R19	18 5
27	Q24	28 11
28	Q24	27 11

60150800 Rev. A

LS 18059500 ASSY REV A

TM

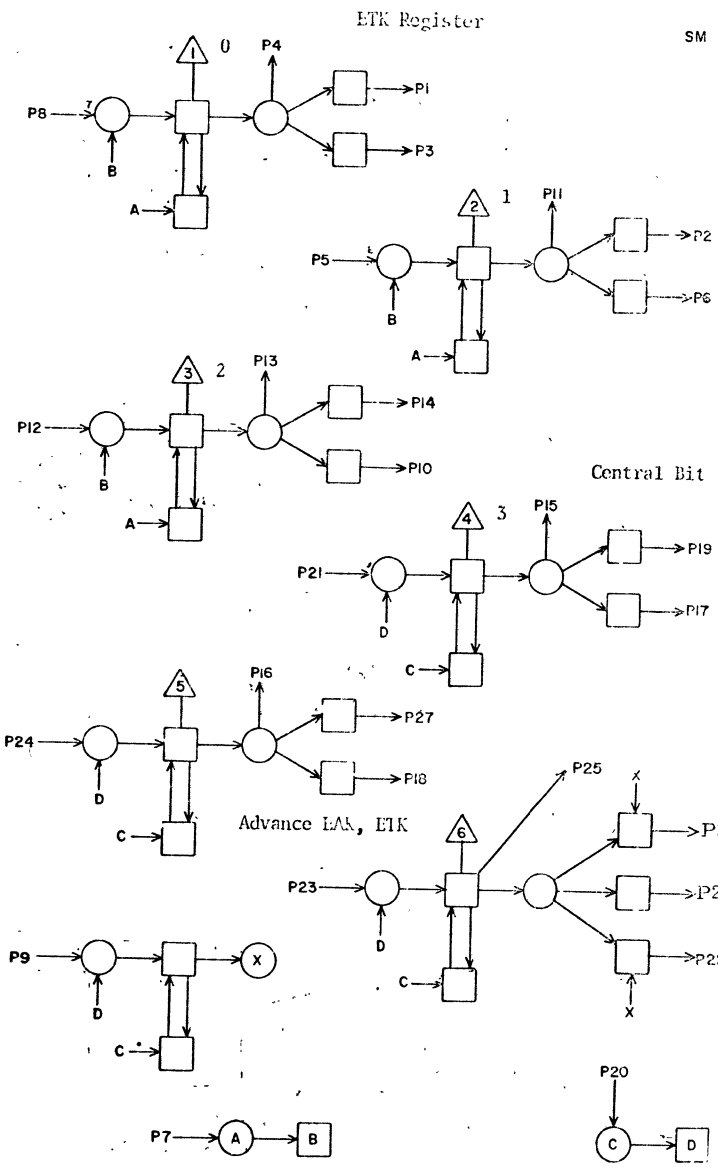
5Q18



* For machines with CEJ/MEJ Only.

JACK	PIN	LG
1	F06	22 49
2	E28	19 47
3	Q21	16 9
4	H05	23 39
5	F34	17 47
6	P34	9 19
7		
8	Q19	5 3
9	Q19	8 3
10	Q19	12 3
11	P34	24 19
12	F21	26 43
13	P34	20 19
14		
15	O36	25 21
16	M11	14 19
17	M11	7 21
18	P35	9 21
19	Q19	21 3
20	P20	19 15
21	F21	2 45
22	E35	9 49
23	J38	2 37
24	M09	8 21
25	O33	9 21
26	O33	20 21
27	O33	21 21
28	O38	2 33

SEE CIRCUIT SPECIFICATION 11827600 60150800 Rev. BD



5019

1	P34	13	17
2	P34	14	17
3	Q25	2	7
4	R13	15	23
5	Q16	8	9
6	Q25	1	9
7	Q51	15	19
8	Q18	9	5
9	Q39	7	47
10	P54	18	17
11	Q20	23	9
12	Q18	11	3
13	R13	22	23
14	Q25	12	11
15	R13	24	23
16	L25	21	23
17	P35	13	19
18	O40	11	23
19	Q25	17	7
20	Q31	1	15
21	Q18	19	5
22	P21	24	7
23	O40	15	23
24	L33	19	17
25	R13	19	156
26	Q26	26	9
27	Q36	2	
28	P18	5	9

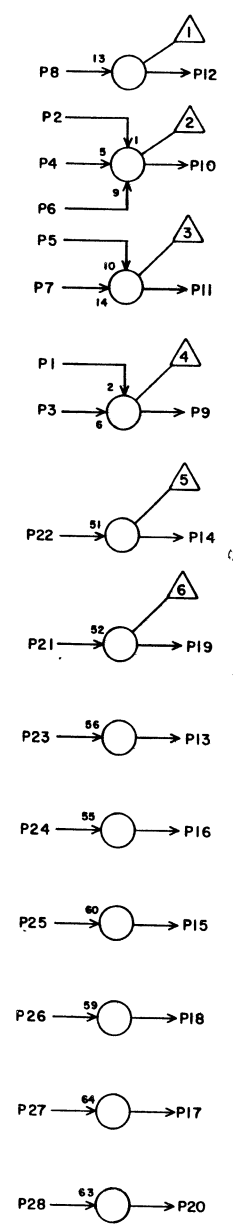
JACK PIN LG

CIRCUIT SPECIFICATION 11827600

60150800 Rev. AZ

LS 63064400
ASSY

C
REV



5020

1	W23	1	15
2	Q33	14	17
3	P35	7	19
4	M21	15	17
5	R29	27	17
6	Q32	22	17
7	R33	14	19
8	Q04	26	17
9	I05	23	29
10	R33	8	19
11	O33	10	17
12	O39	3	23
13	R13	21	23
14	L19	15	132
15	L25	26	23
16	Q14	15	9
17	L25	23	23
18	O40	6	23
19	O36	22	19
20	H03	20	39
21	P12	21	17
22	E25	14	47
23	Q19	11	5
24	O38	11	23
25	Q06	26	17
26	R13	20	23
27	P21	17	9
28	R26	25	17

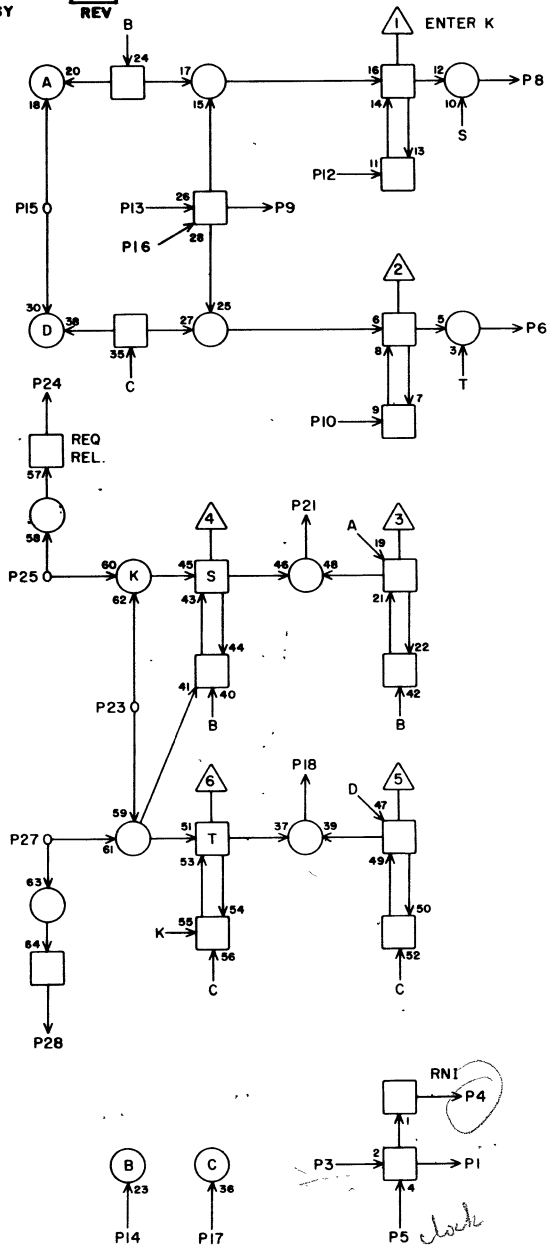
JACK PIN LG

CIRCUIT SPECIFICATION 11827600

60150800 Rev. BE

LS 63041100
ASSY

C
REV



CF

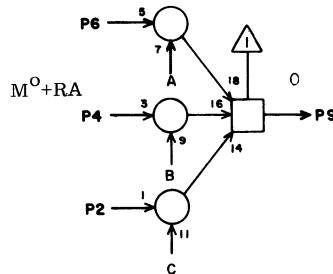
5Q21

1	E23	3	47
2			
3	R33	26	17
4	E25*	1	49
5	P12	2	13
6	O21	3	180
7			
8	O20	14	180
9			
10	N10	13	19
11			
12	N10	16	19
13	E35	19	120
14	G38	14	49
15	E35	16	49
16	Q18	3	9
17	G38	26	43
18	O21	16	180
19			
20			
21	O21	14	180
22			
23	H19	17	39
24			
25	P18	20	9
26			
27	P18	15	9
28			

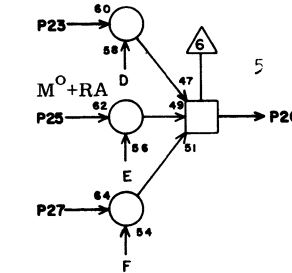
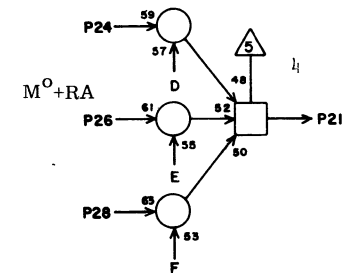
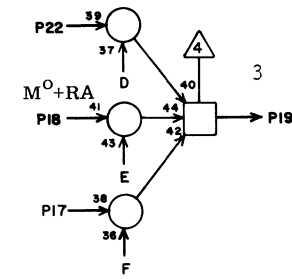
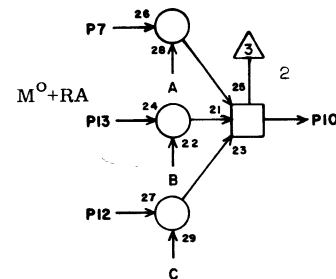
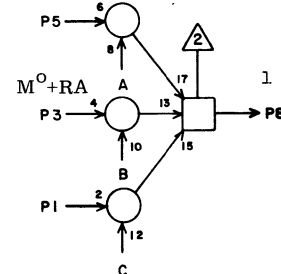
CIRCUIT SPECIFICATION 11827600

60150800 Rev. AS

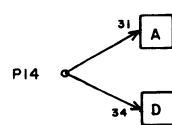
M¹ PRIORITY GATE



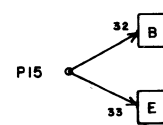
ADDRESS TO M¹



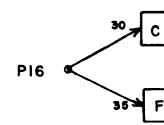
In Stunt Box



In Central



In Peripheral



TE

5Q22

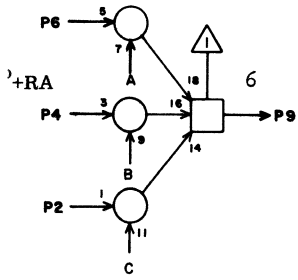
1	Q15	6	11
2	Q15	3	11
3	R09	4	17
4	R09	12	17
5	R20	3	7
6	R20	1	5
7	R20	9	7
8	Q09	13	15
9	Q09	14	15
10	Q09	18	15
11			
12	Q15	14	11
13	R09	20	17
14	Q32	20	13
15	Q13	22	13
16	Q33	6	15
17	Q15	19	11
18	R09	17	17
19	Q09	17	15
20	Q10	13	15
21	Q10	14	15
22	R21	1	5
23	R21	9	5
24	R21	3	5
25	R10	4	17
26	R10	12	15
27	Q15	28	11
28	Q15	27	9

JACK PIN LG

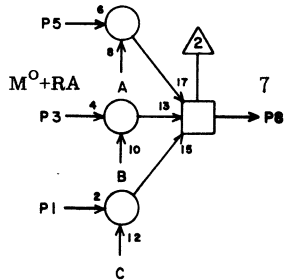
60150800 Rev. N

5Q22

M¹ PRIORITY GATE



ADDRESS TO M¹

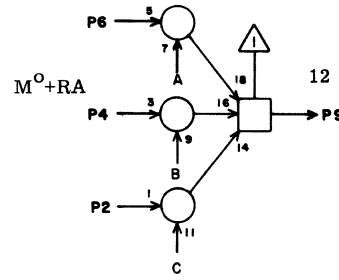


TE 5023

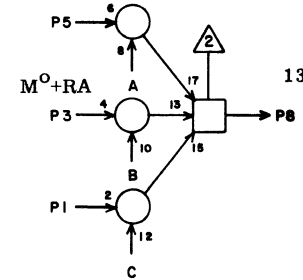
1	Q16	6	11
2	Q16	3	11
3	R10	17	17
4	R10	20	17
5	R22	3	5
6	R22	1	5
7	R22	9	7
8	Q10	17	15
9	Q10	18	15
10	Q11	14	15
11			
12	Q16	14	11
13	R11	12	15
14	Q32	18	13
15	Q13	19	15
16	Q33	8	13
17	Q16	19	11
18	R11	4	15
19	Q11	13	15
20	Q11	17	15
21	Q11	18	15
22	R23	1	5
23	R23	9	5
24	R23	3	5
25	R11	17	15
26	R11	20	15
27	Q16	28	11
28	Q16	27	11

JACK PIN LG

M¹ PRIORITY GATE



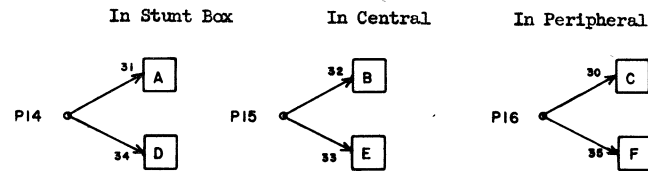
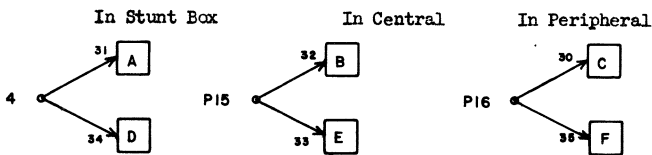
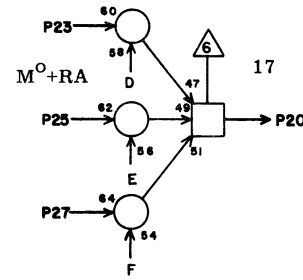
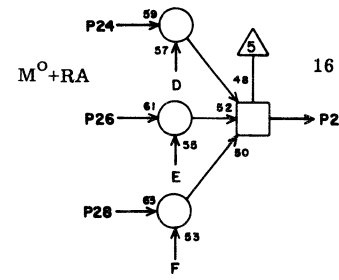
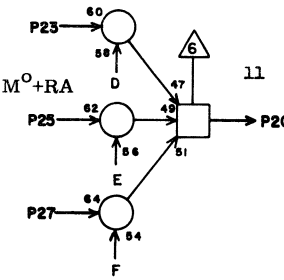
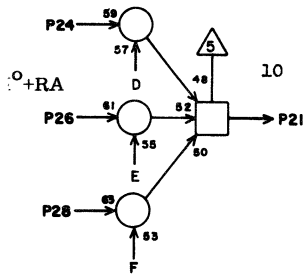
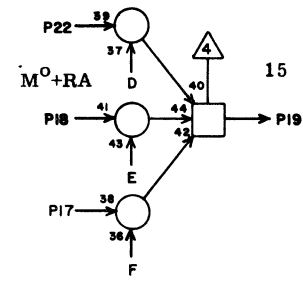
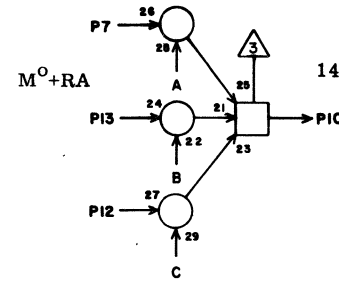
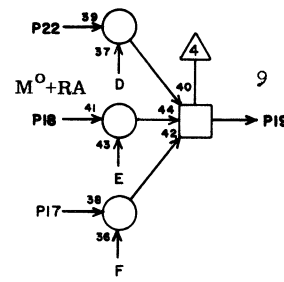
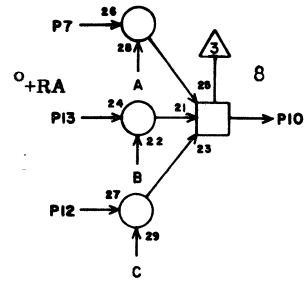
ADDRESS TO M¹



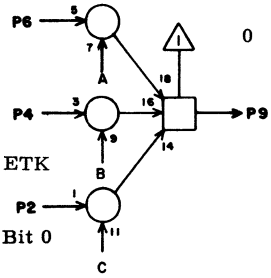
TE 5024

1	Q17	6	11
2	Q17	3	11
3	R12	4	17
4	R12	12	15
5	R24	3	5
6	R24	1	5
7	R24	9	7
8	Q12	13	15
9	Q12	14	15
10	Q12	18	15
11			
12	Q17	14	11
13	R12	20	15
14	Q32	26	13
15	Q13	21	13
16	Q33	10	13
17	Q17	19	11
18	R12	17	15
19	Q12	17	15
20	Q13	18	15
21	Q13	14	15
22	R25	1	5
23	R25	9	5
24	R25	3	5
25	R13	4	15
26	R13	12	15
27	Q17	28	11
28	Q17	27	11

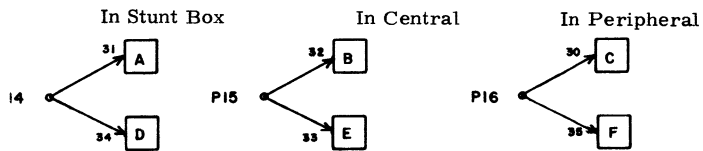
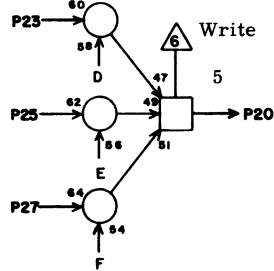
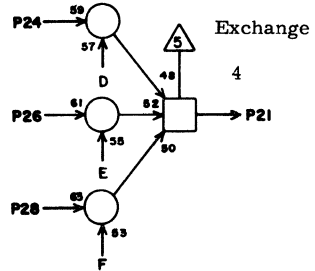
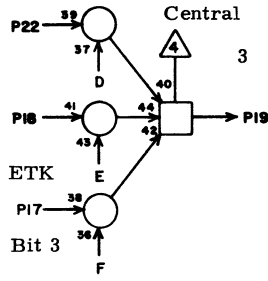
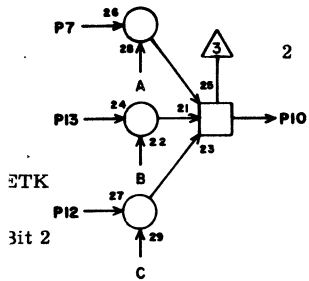
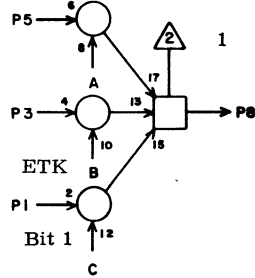
JACK PIN LG



M¹ PRIORITY GATE



ADDRESS TAGS TO M¹



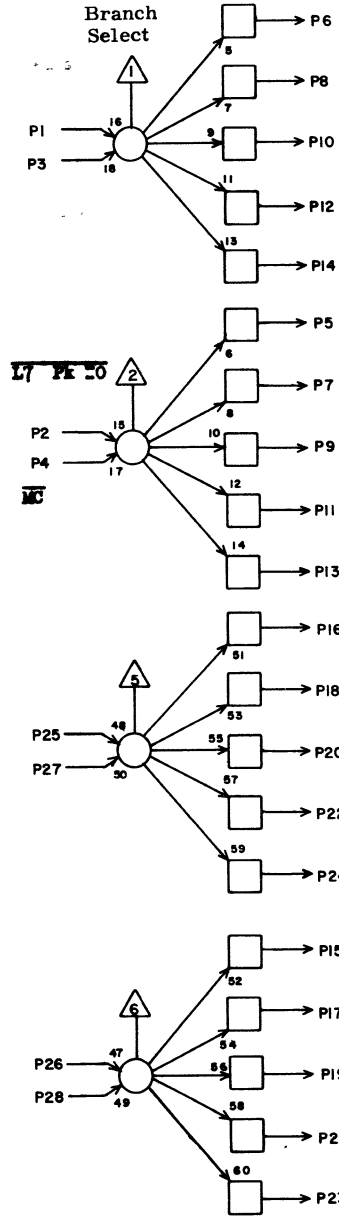
TE 5Q25

1	Q19	6	9
2	Q19	3	7
3	Q30	26	120
4	Q30	6	120
5	R34	2	13
6	R34	10	13
7	R34	1	13
8	Q13	17	15
9	Q13	13	15
10	Q14	14	15
11			
12	Q19	14	11
13	Q30	25	120
14	Q32	24	11
15	M21	9	21
16	Q33	12	11
17	Q19	19	7
18	GRD	X	2
19	Q14	18	15
20	N07	1	23
21	Q14	13	15
22	R34	26	96
23	P21	8	11
24	P21	14	11
25	H08	18	41
26	D29	5	53
27	R33	2	120
28	N26	9	17

JACK PIN LG

60150800 Rev BG

TD 5Q26



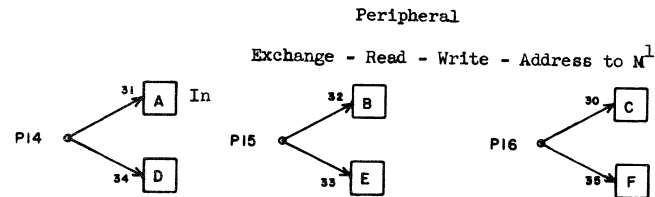
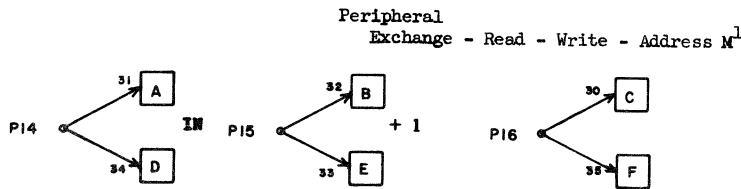
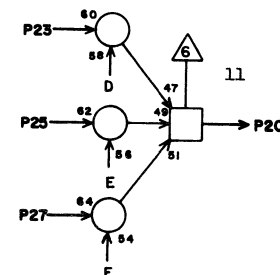
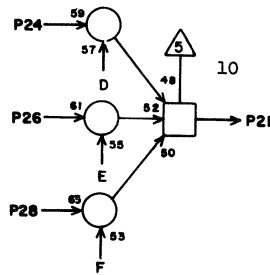
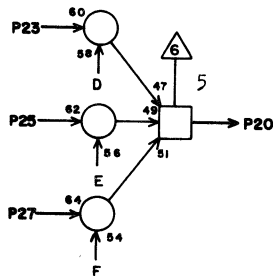
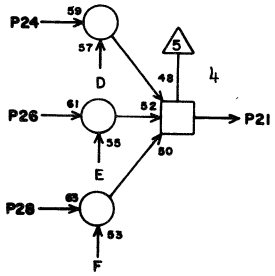
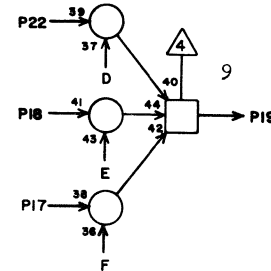
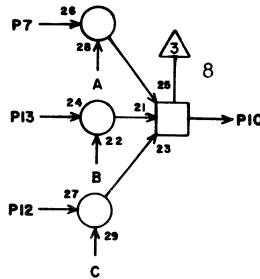
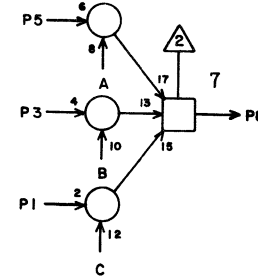
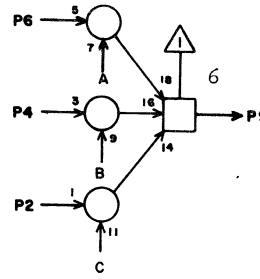
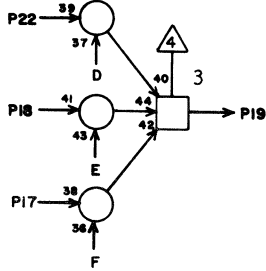
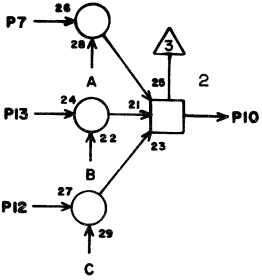
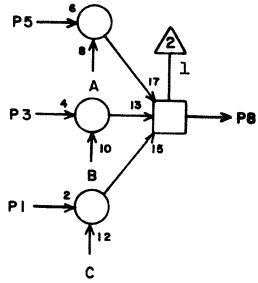
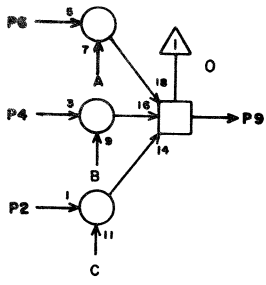
EAK=XXXX77

ADV. EAK

1	F38	2	45
2	G30	28	39
3			
4	N21	25	27
5	G29	11	41
6	R38	20	15
7	L19	3	25
8	H02	15	48
9			
10	Q04	18	156
11	O14	1	1
12	P21	12	17
13			
14	H30	26	37
15	R14	25	15
16	R17	26	13
17	R15	25	15
18	R18	26	13
19	R16	25	15
20	R19	26	13
21	R17	25	13
22			
23	R18	25	25
24			
25	R14	7	17
26	Q19	26	9
27	R15	7	17
28			

JACK PIN LG

60150800 Rev. BG



TE 5627

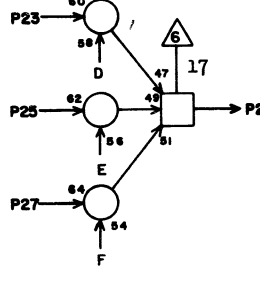
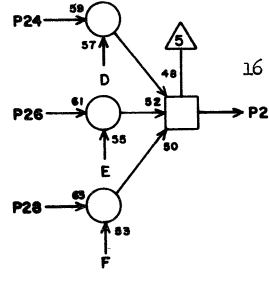
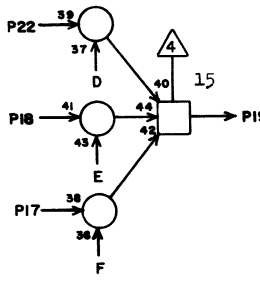
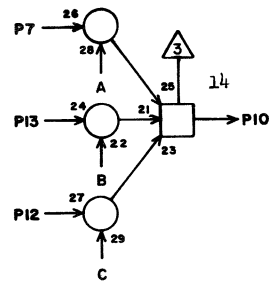
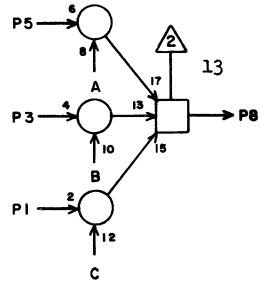
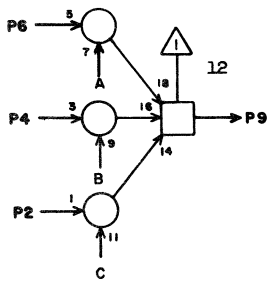
1			
2			
3	R14	24	17
4	R14	9	17
5	N40	1	19
6	N40	9	19
7	N40	13	19
8	Q15	5	15
9	Q15	8	15
10	Q15	12	15
11			
12			
13	R14	20	17
14	O41	2	17
15	O41	1	19
16			
17			
18	R15	9	15
19	Q15	21	15
20	Q15	23	15
21	Q15	24	15
22	N40	18	19
23	N40	22	19
24	N40	28	19
25	R15	20	15
26	R15	24	15
27			
28			
	JACK	PIN	LG

60150800 Rev. A

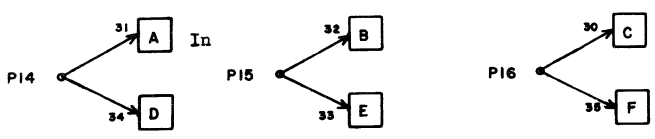
TE 5628

1			
2			
3	R16	24	17
4	R16	9	15
5	N41	1	19
6	N41	9	19
7	N41	13	19
8	Q16	5	15
9	Q16	8	15
10	Q16	12	15
11			
12			
13	R16	20	15
14	O41	4	17
15	O41	3	17
16			
17			
18	R17	9	15
19	Q16	21	15
20	Q16	23	15
21	Q16	24	15
22	N41	18	19
23	N41	22	19
24	N41	28	19
25	R17	20	13
26	R17	24	15
27			
28			
	JACK	PIN	LG

60150800 Rev. A



Peripheral
Exchange - Read - Write - Address to M¹



TE 5Q29

1			
2			
3	R18	24	15
4	R18	9	15
5	N42	1	19
6	N42	9	19
7	N42	13	19
8	Q17	5	15
9	Q17	8	15
10	Q17	12	15
11			
12			
13	R18	20	15
14	O41	8	17
15	O41	5	17
16			
17			
18	R19	9	13
19	Q17	21	15
20	Q17	23	15
21	Q17	24	15
22	N42	18	19
23	N42	22	19
24	N42	28	19
25	R19	20	13
26	R19	24	15
27			
28			

JACK PIN LG

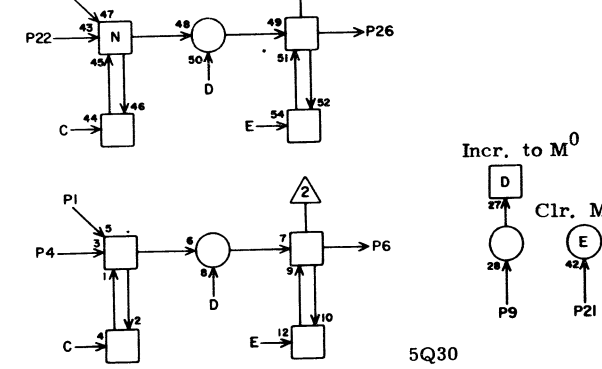
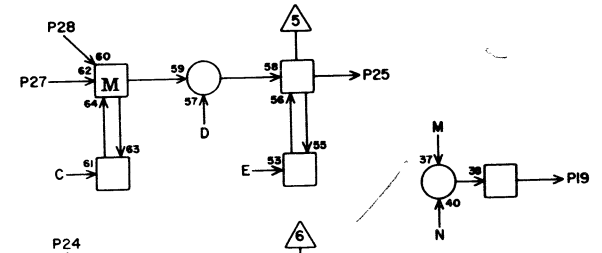
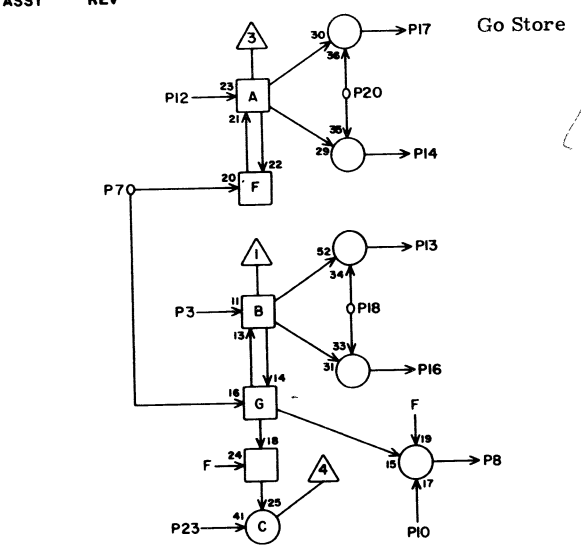
60150800 Rev. A

LS 63051700 ASSY REV B

Credit Memory Tags

JT

5Q30



5Q30

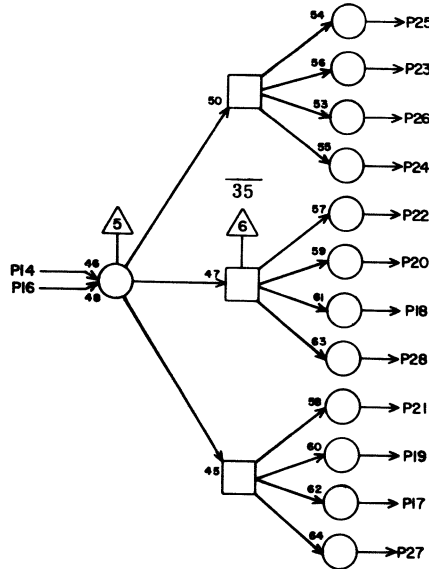
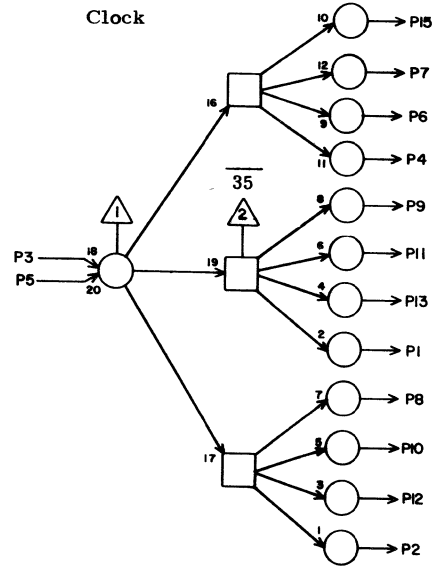
1	F20	5	45
2			
3	M33	6	120
4	H20	5	41
5			
6	Q25	4	120
7	P37	14	27
8			
9	R35	12	7
10			
11			
12	M33	23	120
13	H20	10	41
14	P37	2	13
15			
16	P37	4	13
17	F20	10	45
18	R32	2	5
19	P36	24	11
20	R32	1	7
21	R36	28	11
22	F20	19	45
23	P41	12	15
24	H20	19	41
25	I04	21	39
26	Q25	3	120
27	F20	26	45
28	H20	26	37

JACK PIN LG

CIRCUIT SPECIFICATION 11827600
60150800 Rev AE

LS 63063500
ASSY

REV



TC

5Q31

1	Q19	20	15
2	M33	10	96
3	N08	23	27
4	Q17	7	19
5			
6	Q16	7	17
7	Q15	20	19
8	O41	13	120
9	Q17	20	17
10	P38	28	11
11	Q16	20	17
12	L24	10	23
13	Q19	7	15
14	N08	25	27
15	Q15	7	19
16			
17	P19	5	15
18	I30	25	33
19	P20	9	21
20	Q06	1	25
21	R32	20	60
22	R31	7	5
23	I39	14	35
24	Q14	28	25
25	I38	14	35
26	I40	14	35
27	R39	3	13
28	P38	4	55

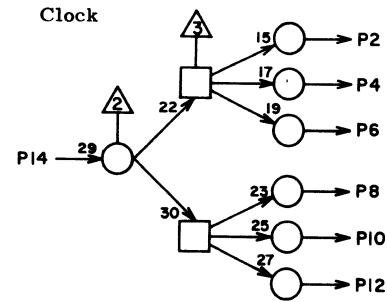
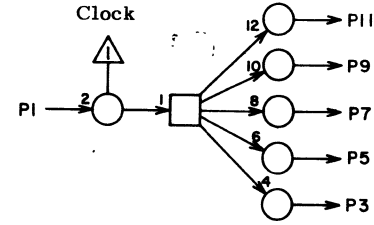
JACK PIN LG

CIRCUIT SPECIFICATION 11827600

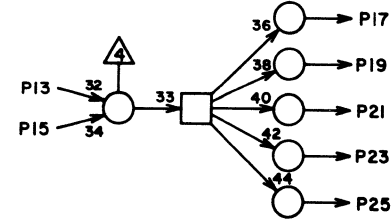
60150800 Rev AL

LS 18059900
ASSY

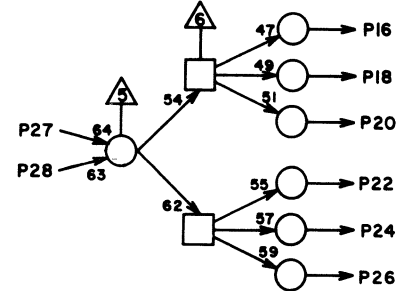
REV



M. C.



M² Full Bit



TP

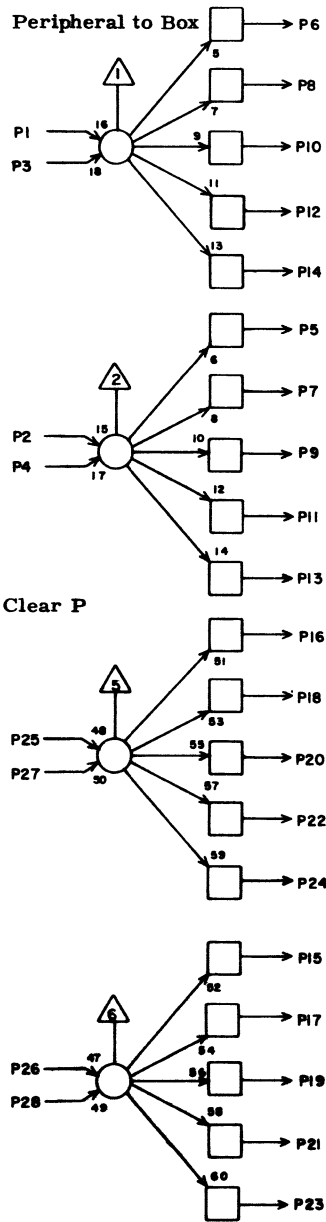
5Q32

1	I22	23	132
2	K18	13	39
3	H37	13	35
4	K17	13	39
5	I36	15	33
6	R37	26	60
7	I36	13	31
8			
9	H37	15	37
10			
11			
12	O40	18	96
13	N21	27	21
14	N08	28	96
15			
16			
17	G32	18	45
18	Q23	14	13
19	H17	14	39
20	Q22	14	13
21	M09	14	33
22	Q20	6	17
23	O18	3	23
24	Q25	14	11
25	Q34	18	11
26	Q24	14	13
27	O36	1	13
28			

JACK PIN LG

CIRCUIT SPECIFICATION 11827600

60150800 Rev Aw



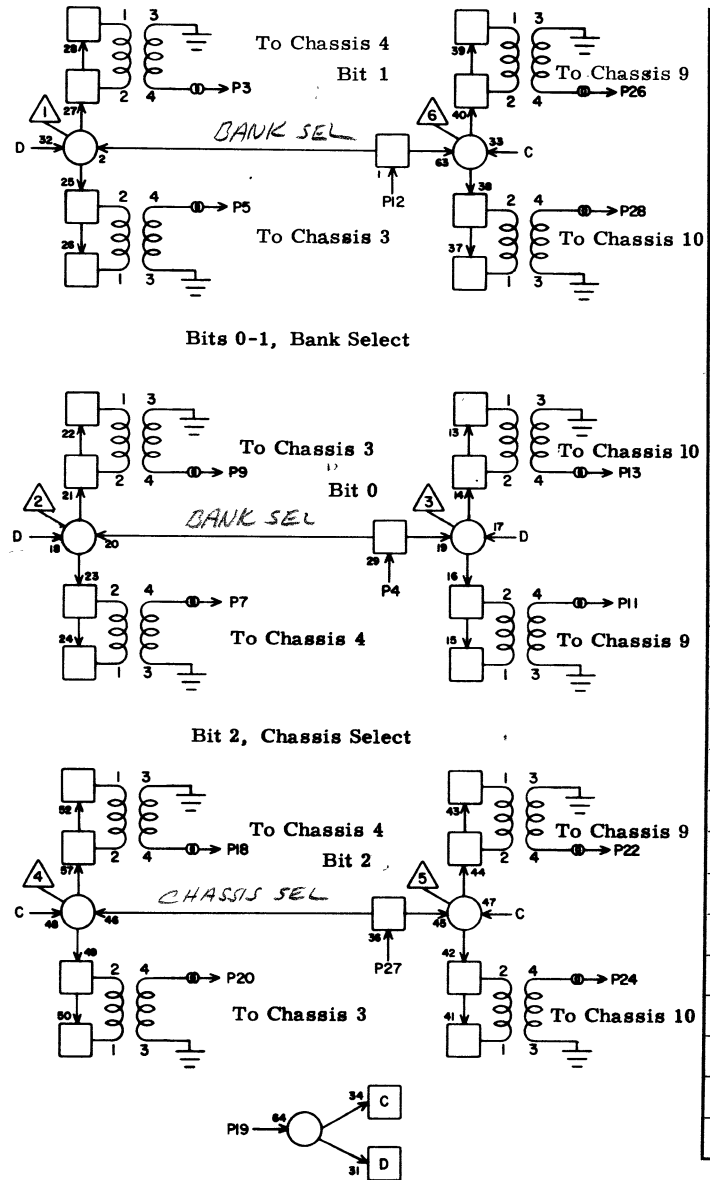
T D 5Q33

1	041	11	15
2	L16	17	29
3	O40	27	13
4	Q33	X	2
5	O11	16	25
6	Q22	16	15
7	K07	17	35
8	Q23	16	13
9	N01	26	33
10	Q24	16	13
11			
12	Q25	16	11
13			
14	Q20	2	17
15	L25	25	21
16	P37	17	7
17	041	15	15
18			
19	040	20	15
20			
21	P37	26	7
22			
23			
24			
25	R35	28	120
26	036	4	13
27			
28			

JACK PIN LG

60150800 Rev AZ

ADDRESS TO CENTRAL MEMORY



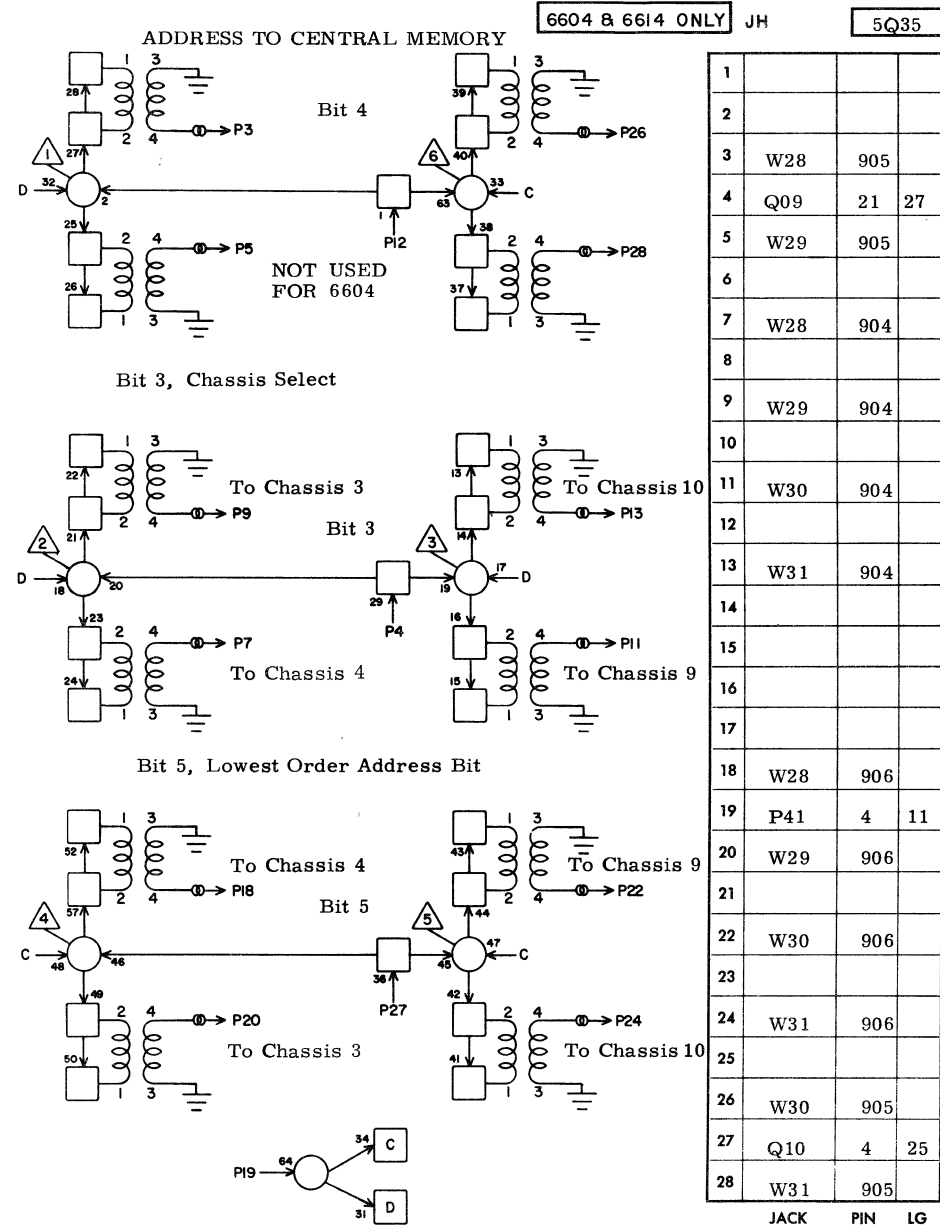
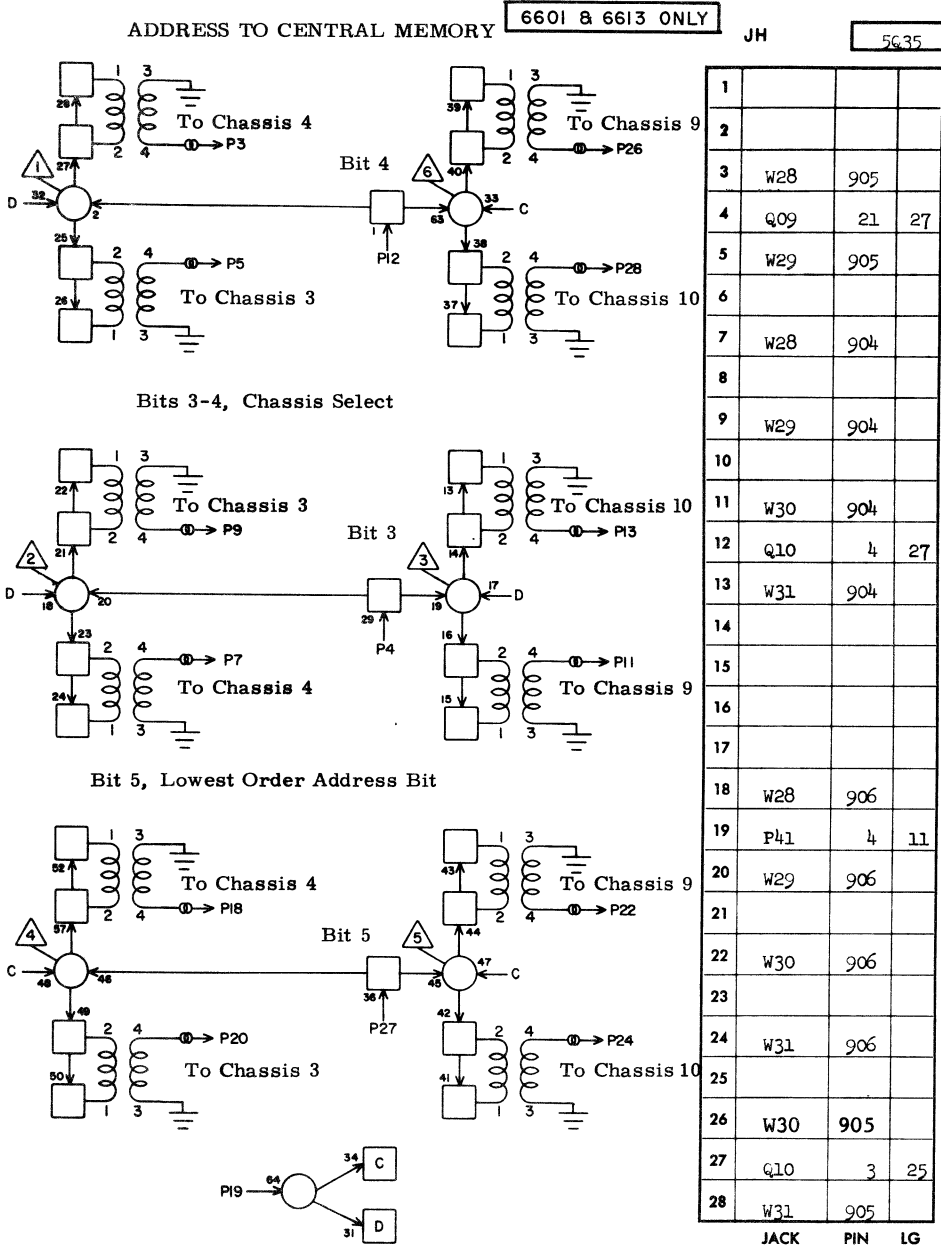
JH 5Q34

1			
2			
3	W28	902	
4	Q09	4	27
5	W29	902	
6			
7	W28	901	
8			
9	W29	901	
10			
11	W30	901	
12	Q09	3	25
13	W31	901	
14			
15			
16			
17			
18	W28	903	
19	P41	7	13
20	W29	903	
21			
22	W30	903	
23			
24	W31	903	
25			
26	W30	902	
27	Q09	23	25
28	W31	902	

JACK PIN LG

60150800 Rev. B

5Q34

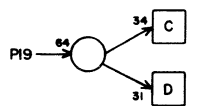
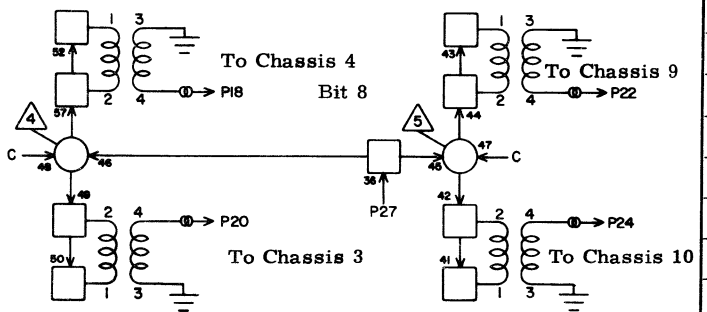
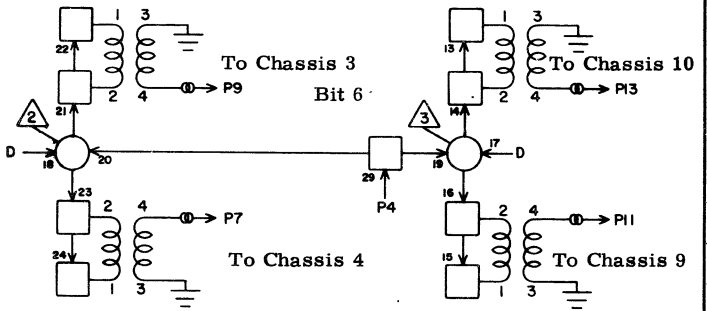
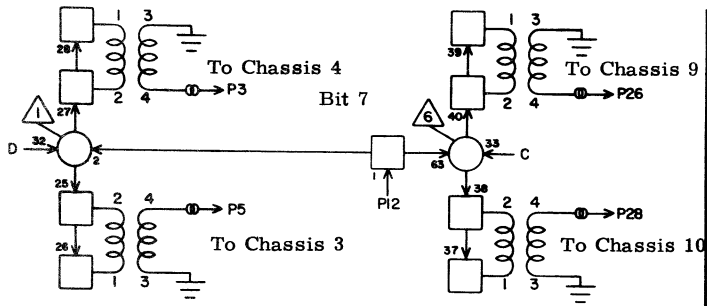


ADDRESS TO CENTRAL MEMORY

6601 & 6613 ONLY

JH

5Q36



1			
2			
3	W28	908	
4	Q10	23	27
5	W29	908	
6			
7	W28	907	
8			
9	W29	907	
10			
11	W30	907	
12	Q10	21	27
13	W31	907	
14			
15			
16			
17			
18	W28	90	
19	P41	11	
20	W29	90	
21			
22	W30	90	
23			
24	W31	90	
25			
26	W30	908	
27	Q11	4	27
28	W31	908	

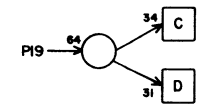
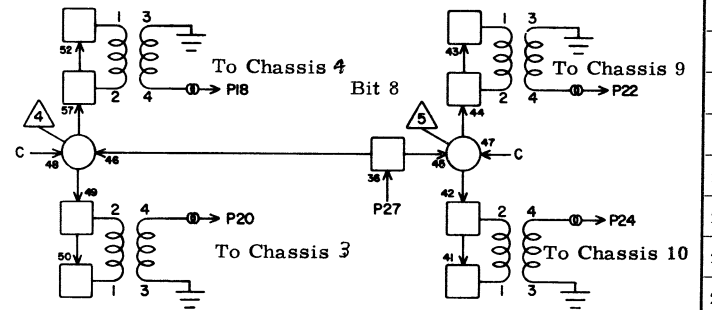
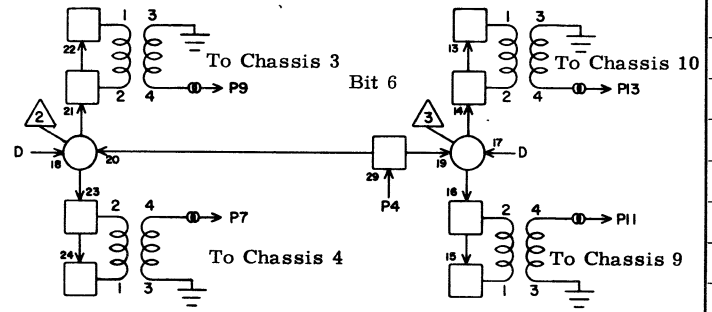
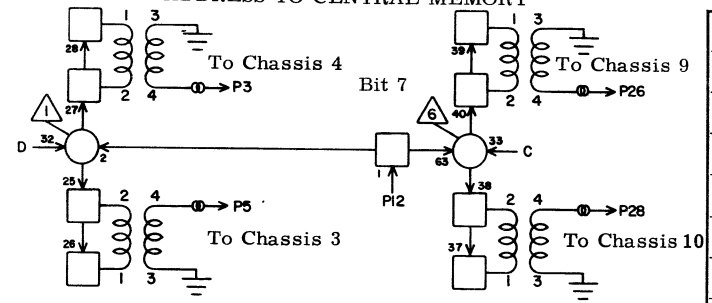
JACK PIN LG

ADDRESS TO CENTRAL MEMORY

6604 & 6614 ONLY

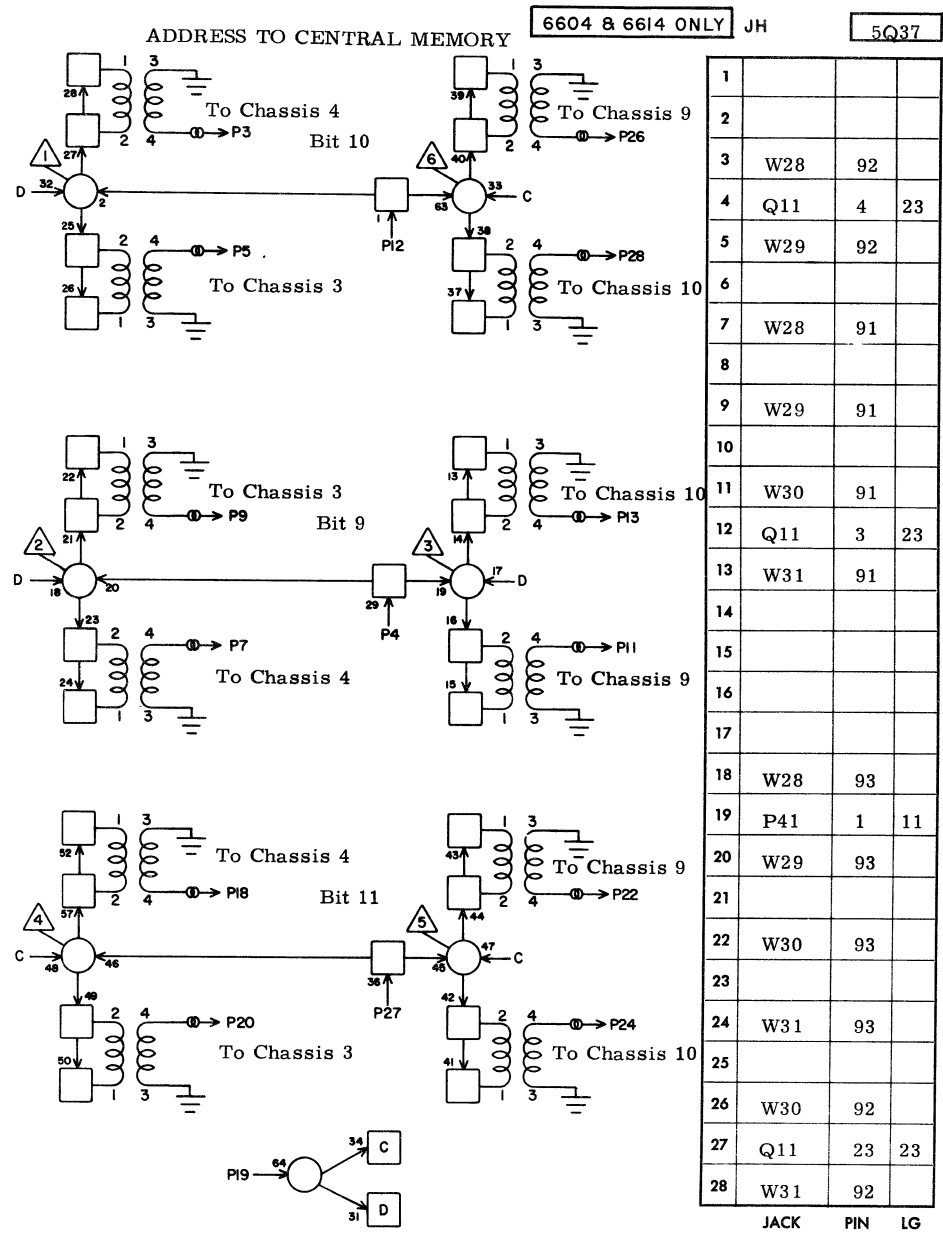
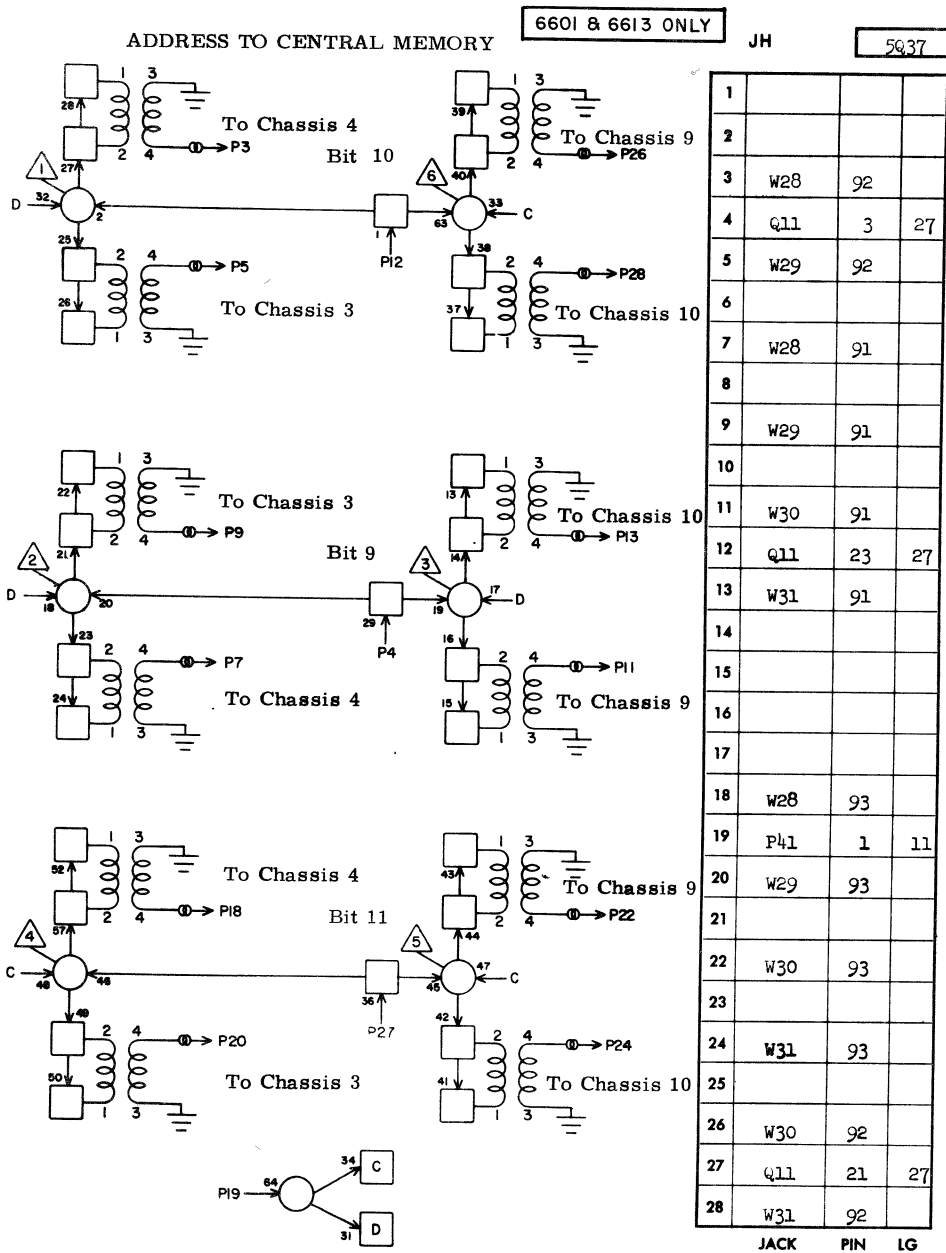
JH

5Q36



1			
2			
3	W28	908	
4	Q10	3	25
5	W29	908	
6			
7	W28	907	
8			
9	W29	907	
10			
11	W30	907	
12	Q10	23	25
13	W31	907	
14			
15			
16			
17			
18	W28	90	
19	P41	11	
20	W29	90	
21			
22	W30	90	
23			
24	W31	90	
25			
26	W30	908	
27	Q10	21	25
28	W31	908	

JACK PIN LG

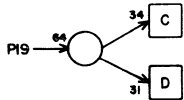
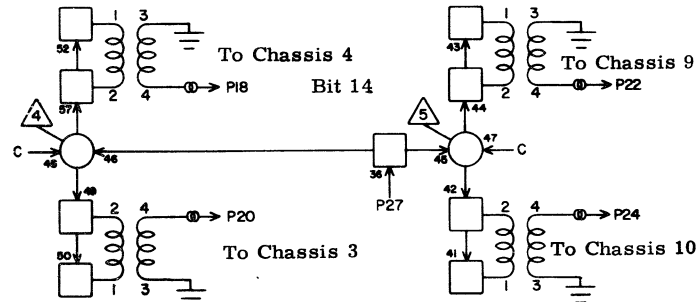
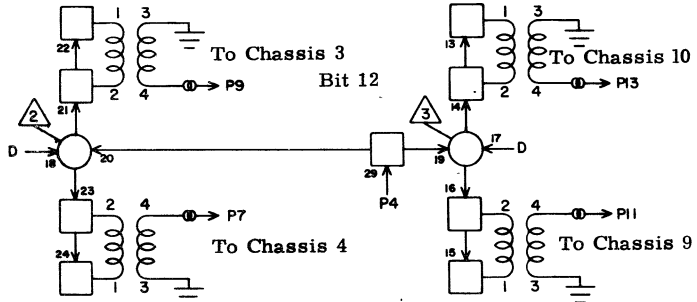
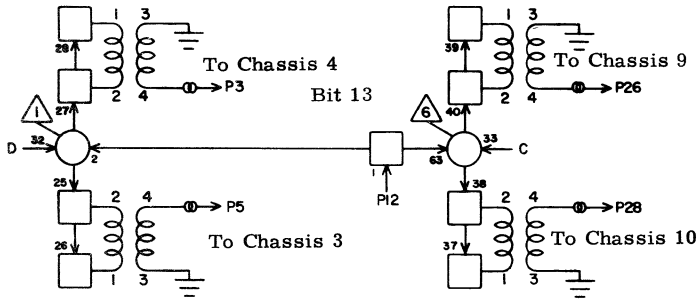


ADDRESS TO CENTRAL MEMORY

6601 & 6613 ONLY

JH

5Q38



1			
2			
3	W28	95	
4	Q12	4	27
5	W29	95	
6			
7	W28	94	
8			
9	W29	94	
10			
11	W30	94	
12	Q12	3	27
13	W31	94	
14			
15			
16			
17			
18	W28	96	
19	P41	10	7
20	W29	96	
21			
22	W30	96	
23			
24	W31	96	
25			
26	W30	95	
27	Q12	23	27
28	W31	95	

JACK PIN LG

5Q38

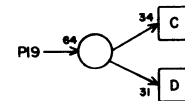
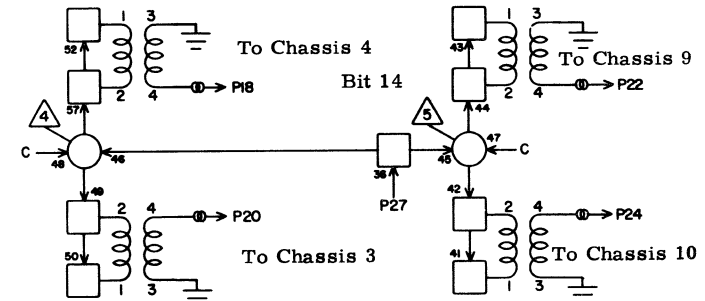
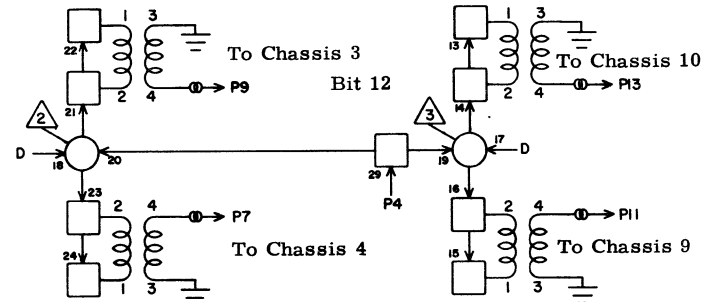
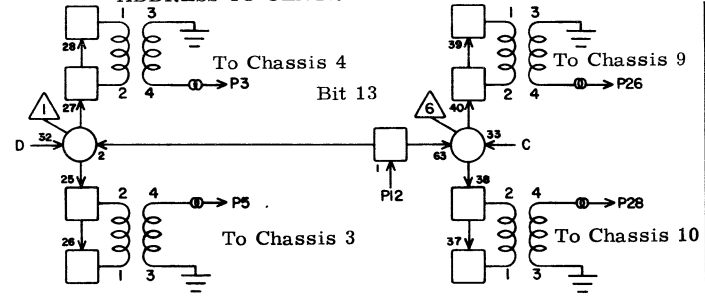
60150800 Rev. B

ADDRESS TO CENTRAL MEMORY

6604 & 6614 ONLY

JH

5Q38



1			
2			
3	W28	95	
4	Q11	21	23
5	W29	95	
6			
7	W28	94	
8			
9	W29	94	
10			
11	W30	94	
12	Q12	4	21
13	W31	94	
14			
15			
16			
17			
18	W28	96	
19	P41	10	7
20	W29	96	
21			
22	W30	96	
23			
24	W31	96	
25			
26	W30	95	
27	Q12	3	21
28	W31	95	

JACK PIN LG

5Q38

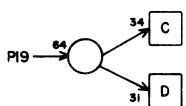
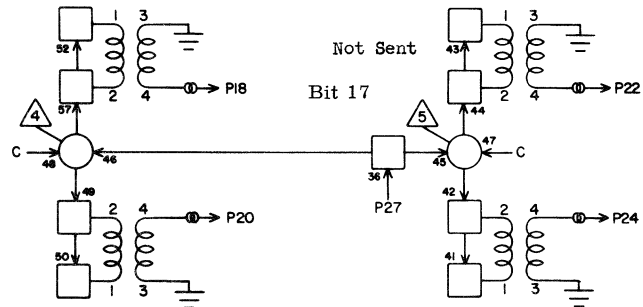
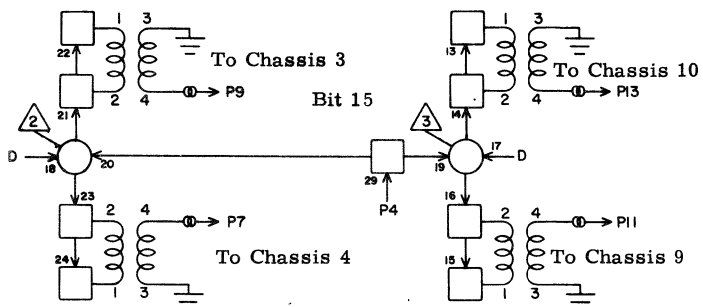
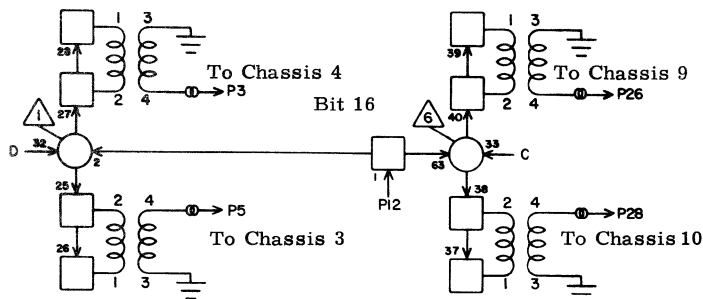
60150800 Rev. B

ADDRESS TO CENTRAL MEMORY

6601 & 6613 ONLY

JH

5Q39



1			
2			
3	W28	98	
4	Q12	21	47
5	W29	98	
6			
7	W28	97	
8			
9	W29	97	
10			
11	W30	97	
12	R39	20	7
13	W31	97	
14			
15			
16			
17			
18			
19	P41	2	7
20			
21			
22			
23			
24			
25			
26	W30	98	
27			
28	W31	98	

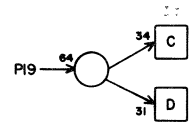
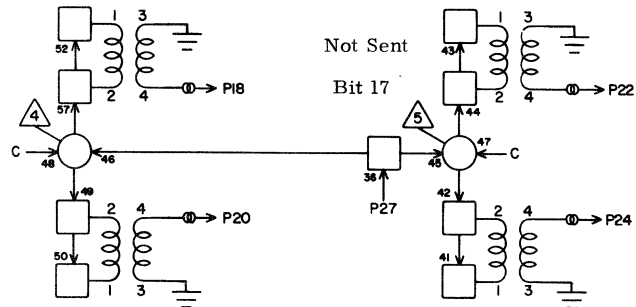
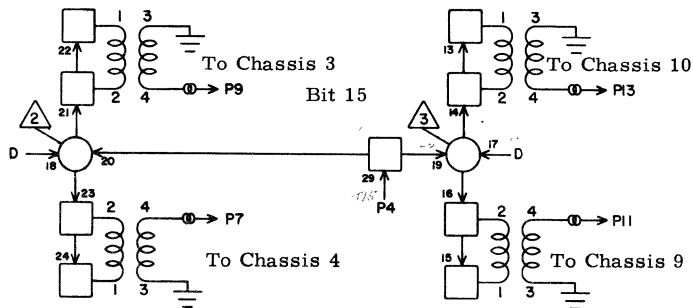
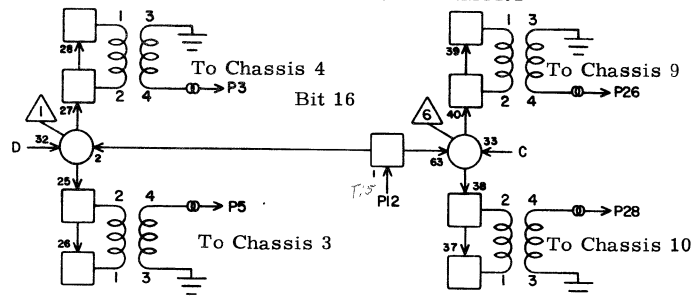
JACK PIN LG

ADDRESS TO CENTRAL MEMORY

6604 & 6614 ONLY

JH

5Q39



1			
2			
3	W28	98	
4	Q12	23	23
5	W29	98	
6			
7	W28	97	
8			
9	W29	97	
10			
11	W30	97	
12	Q12	21	23
13	W31	97	
14			
15			
16			
17			
18			
19	P41	2	7
20			
21			
22			
23			
24			
25			
26	W30	98	
27			
28	W31	98	

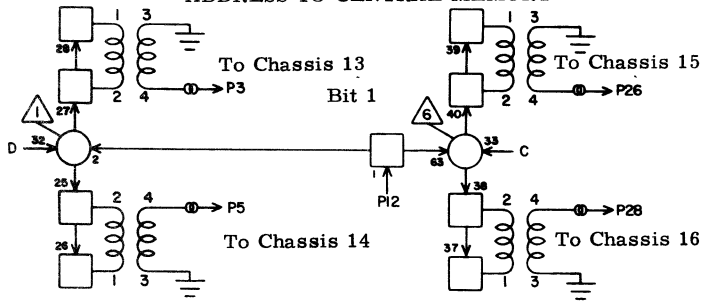
JACK PIN LG

6601 & 6613 ONLY

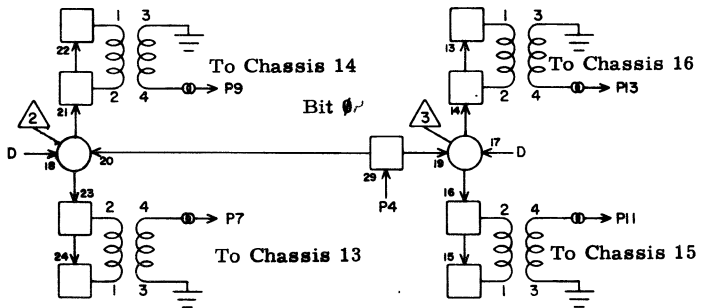
JH

5Q40

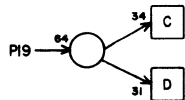
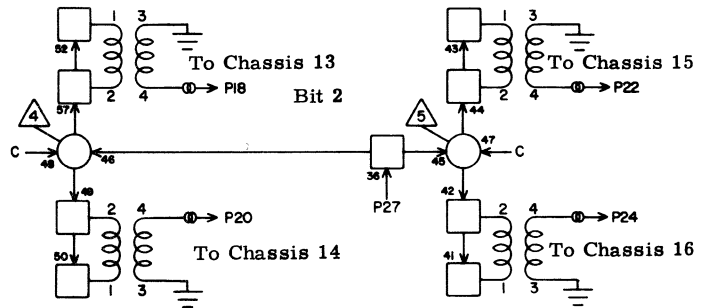
ADDRESS TO CENTRAL MEMORY



Bit: 0-1, Bank Select



Bits 2, Chassis Select



1			
2			
3	W32	902	
4	Q09	6	31
5	W33	902	
6			
7	W32	901	
8			
9	W33	901	
10			
11	W34	901	
12	Q09	5	31
13	W35	901	
14			
15			
16			
17			
18	W32	903	
19	P41	23	7
20	W33	903	
21			
22	W34	903	
23			
24	W35	903	
25			
26	W34	902	
27	Q09	28	31
28	W35	902	

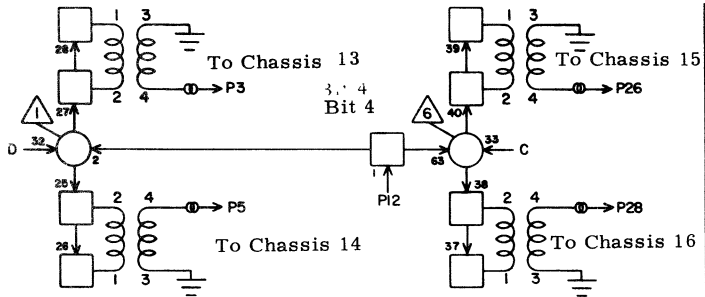
JACK PIN LG

6601 & 6613 ONLY

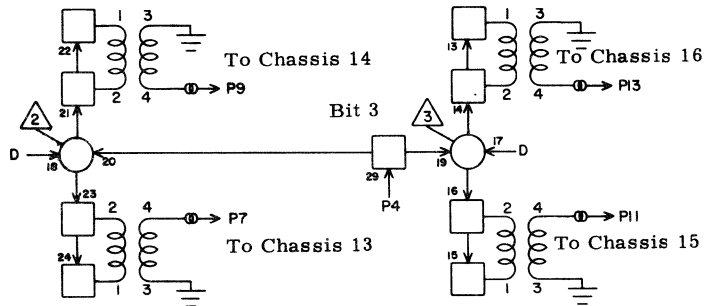
JH

5Q41

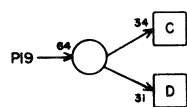
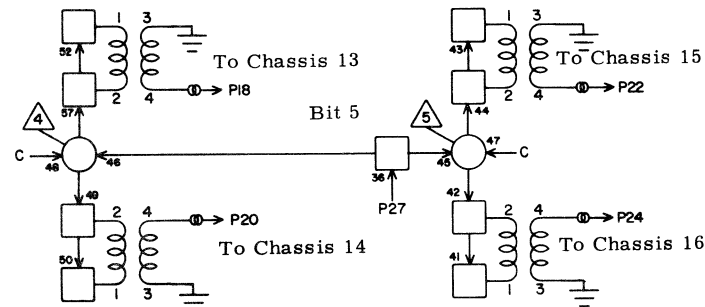
ADDRESS TO CENTRAL MEMORY



Bits 3-4, Chassis Select



Bit 5, Lowest Order Address Bit



1			
2			
3	W32	905	
4	Q09	27	31
5	W33	905	
6			
7	W32	904	
8			
9	W33	904	
10			
11	W34	904	
12	Q10	6	31
13	W35	904	
14			
15			
16			
17			
18	W32	906	
19	P41	24	5
20	W33	906	
21			
22	W34	906	
23			
24	W35	906	
25			
26	W34	905	
27	Q10	5	31
28	W35	905	

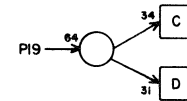
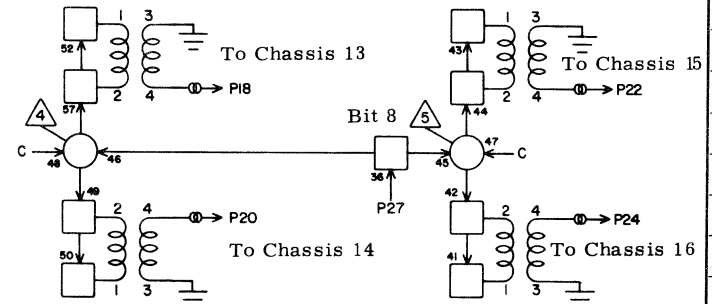
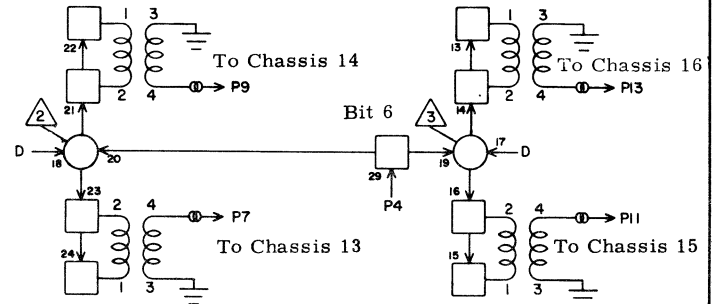
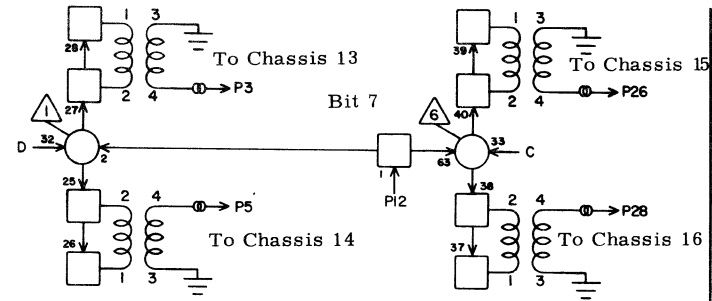
JACK PIN LG

6601 & 6613 ONLY

JH

5Q42

ADDRESS TO CENTRAL MEMORY



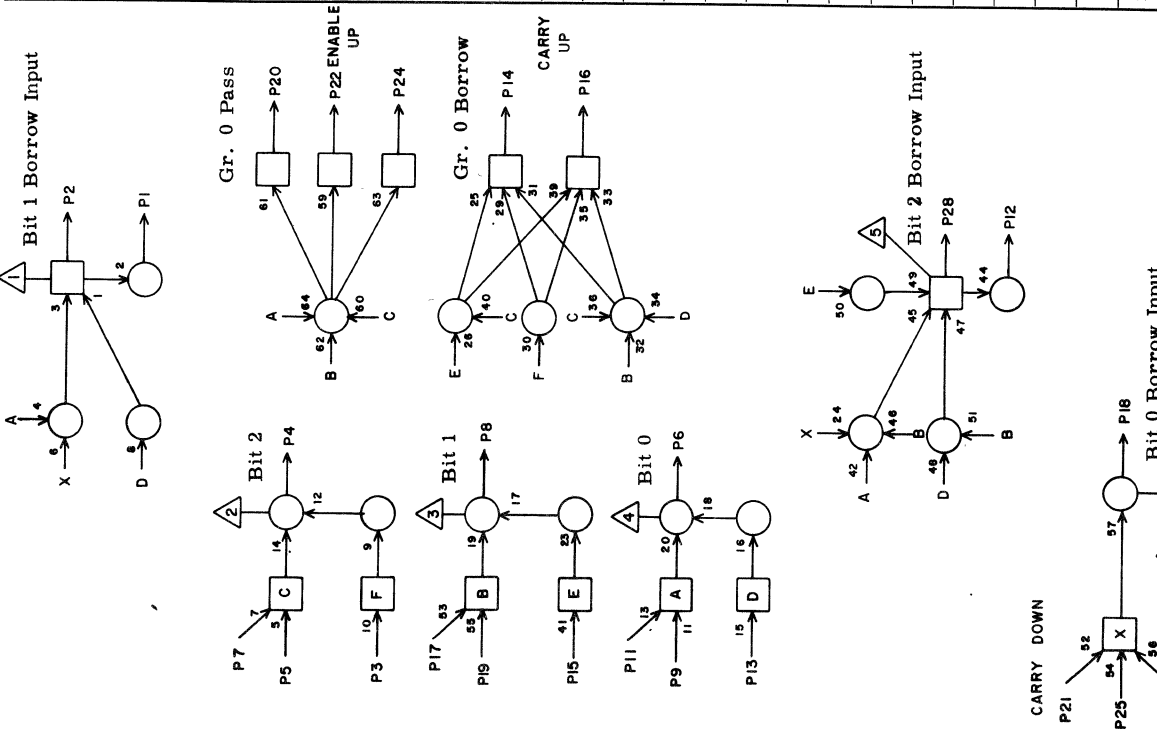
1			
2			
3	W32	908	
4	Q10	28	31
5	W33	907	
6			
7	W32	907	
8			
9	W33	908	
10			
11	W34	907	
12	Q10	27	31
13	W35	907	
14			
15			
16			
17			
18	W32	90	
19	P41	20	5
20	W33	90	
21			
22	W34	90	
23			
24	W35	90	
25			
26	W34	908	
27	Q11	6	31
28	W35	908	

JACK PIN LG

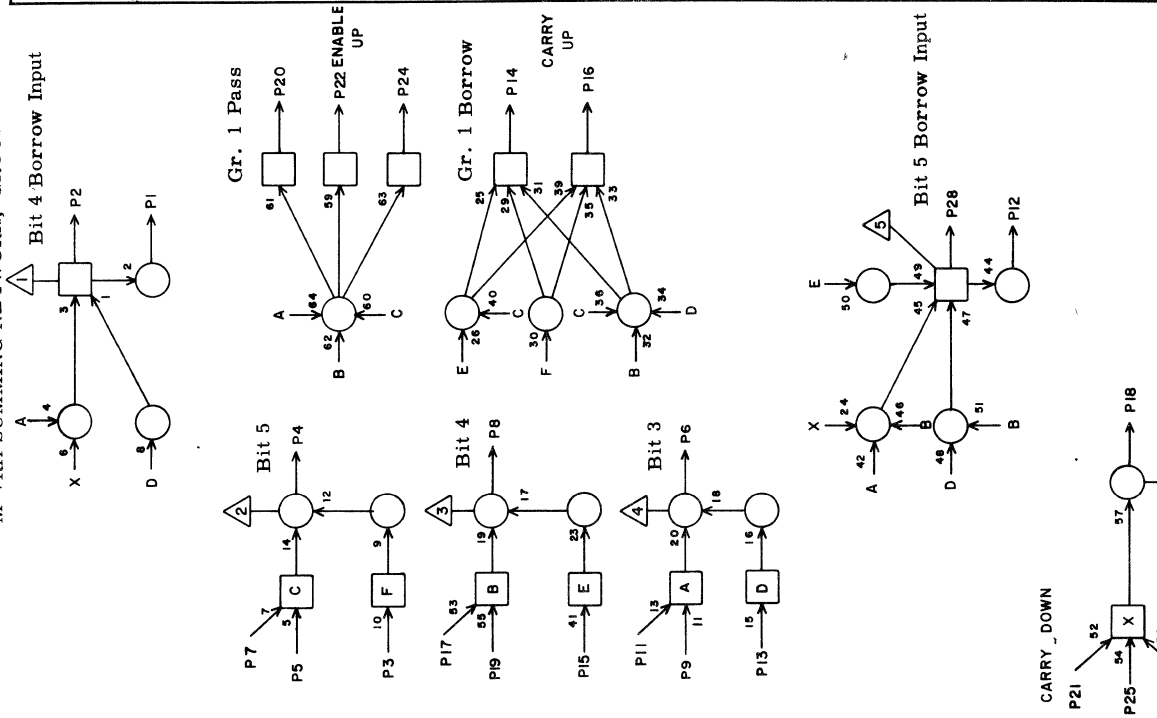
(Bits 9-17 located on R40-42)

M⁰+RA SUMMING NETWORK, GROUP 0

M⁰+RA SUMMING NETWORK, GROUP 1

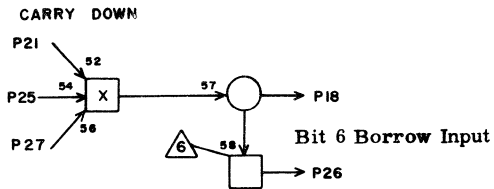
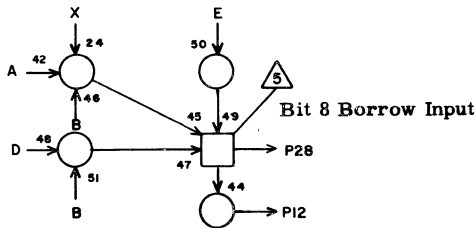
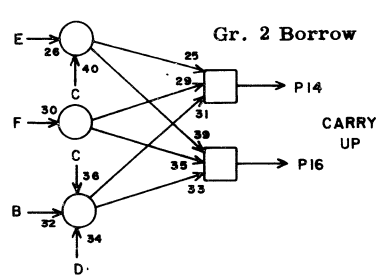
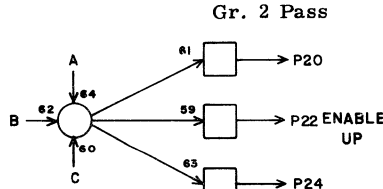
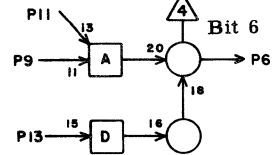
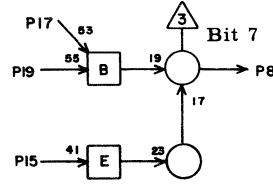
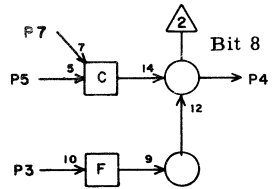
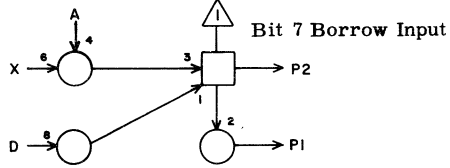


QB	ROL	PIN	LG
1	R09	6	11
2	R09	5	13
3	O01	7	15
4	R09	24	13
5	O01	6	15
6	R09	10	11
7	L36	21	41
8	R09	7	13
9	O01	25	15
10			
11	L36	25	39
12	R09	25	13
13	O01	21	15
14	R08	23	11
15	O01	12	15
16	R07	6	7
17	O01	10	15
18	R09	9	13
19	L36	20	41
20	R08	27	11
21	R07	13	7
22	R07	26	7
23			
24	R08	19	11
25	R07	17	7
26	R09	8	13
27	R07	21	7
28	R09	26	13



QB	ROL	PIN	LG
1	R10	9	13
2	R10	8	11
3	O02	7	15
4	R10	7	13
5	O02	6	15
6	R09	21	11
7	L37	21	41
8	R10	10	11
9	O02	25	15
10			
11	L37	25	47
12	R10	6	13
13	O02	21	15
14	R07	8	7
15	O02	12	15
16	R08	6	7
17	O02	10	15
18	R09	22	11
19	L37	20	41
20	R07	4	7
21	R08	13	7
22	R07	28	7
23			
24	R08	26	7
25	R08	17	9
26	R09	23	13
27	R08	21	7
28	R10	5	11

M⁰+RA SUMMING NETWORK, GROUP 2



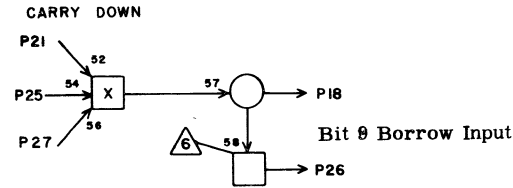
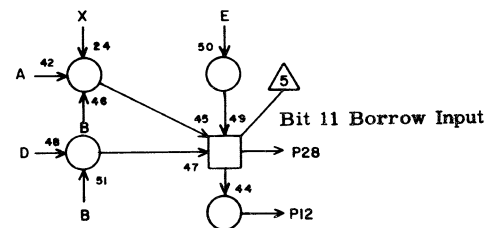
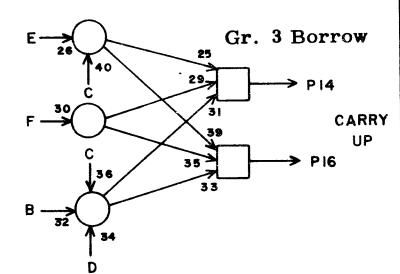
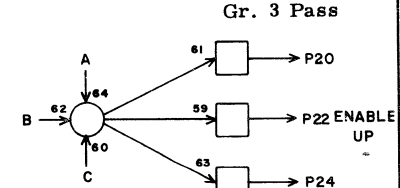
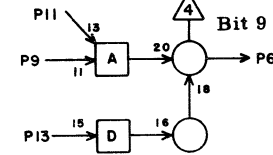
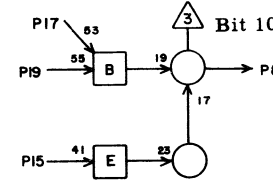
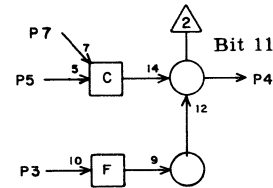
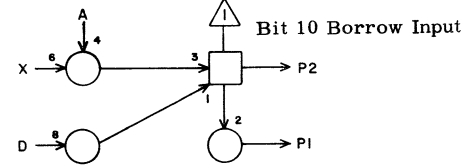
QB 5R03

1	R10	22	11
2	R10	23	11
3	003	7	15
4	R11	10	13
5	003	6	15
6	R10	24	11
7	L38	21	41
8	R10	21	11
9	003	25	15
10			
11	L38	25	41
12	R11	9	13
13	003	21	15
14	R07	14	7
15	003	12	15
16	R08	8	7
17	003	10	15
18	R10	25	11
19	L38	20	41
20	R08	4	7
21	R07	12	5
22	R07	3	7
23			
24	R08	28	7
25	R07	24	5
26	R10	26	11
27	R07	10	5
28	R11	8	11

JACK PIN LG

60150800 Rev. B

M⁰+RA SUMMING NETWORK, GROUP 3



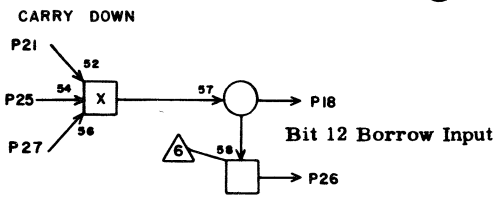
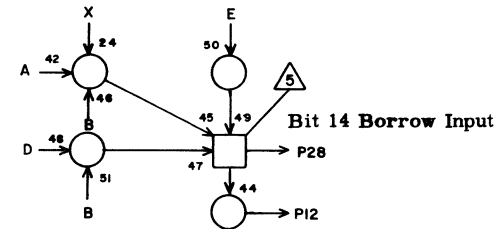
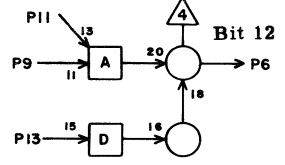
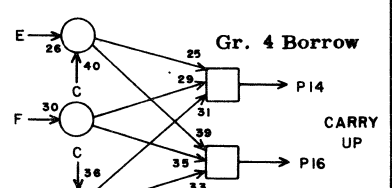
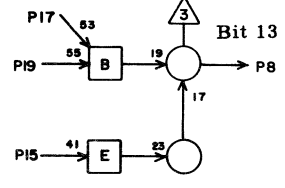
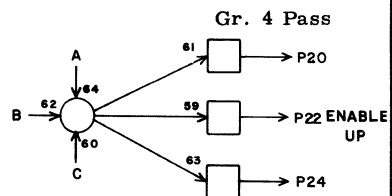
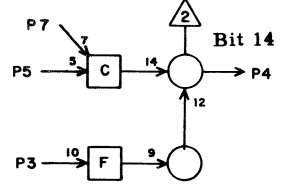
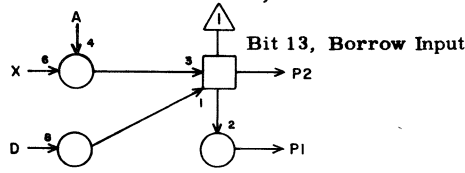
QB 5R04

1	R11	25	11
2	R11	26	11
3	004	7	15
4	R11	21	11
5	004	6	15
6	R11	7	11
7	L39	21	41
8	R11	24	11
9	004	25	15
10			
11	L39	25	41
12	R11	22	11
13	004	21	15
14	R07	20	5
15	004	12	15
16	R08	14	5
17	004	10	15
18	R11	6	11
19	L39	20	41
20	R07	16	5
21	R08	12	5
22	R07	5	5
23			
24	R08	3	7
25	R08	24	5
26	R11	5	11
27	R08	10	5
28	R11	23	11

JACK PIN LG

60150800 Rev. B

M^O+RA SUMMING NETWORK, GROUP 4

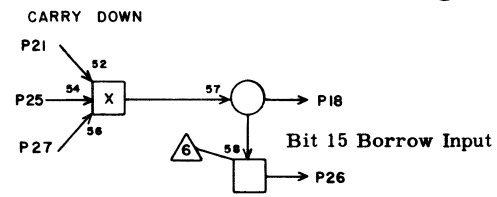
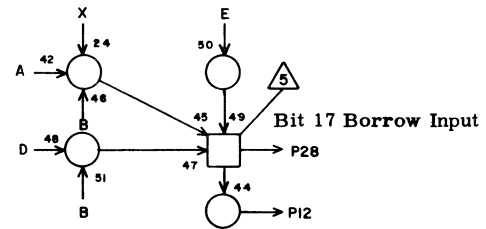
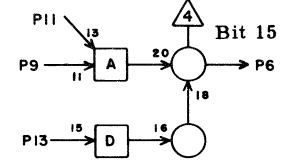
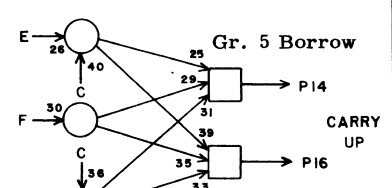
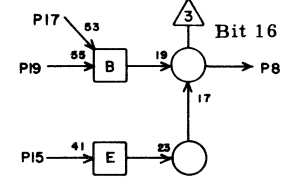
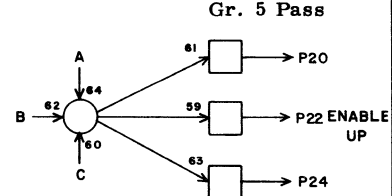
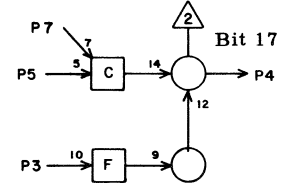
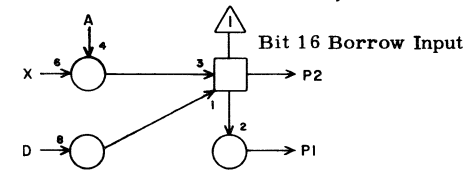


QB 5R05

1	R12	6	11
2	R12	5	11
3	005	7	15
4	R12	24	11
5	005	6	15
6	R12	10	11
7	L40	21	41
8	R12	7	11
9	005	25	15
10			
11	L40	25	41
12	R12	25	11
13	005	21	15
14	R07	25	5
15	005	12	15
16	R08	20	5
17	005	10	15
18	R12	9	11
19	L40	20	41
20	R08	16	5
21	R07	18	3
22	R07	15	5
23			
24	R08	5	5
25	R07	7	5
26	R12	8	11
27	R07	11	5
28	R12	26	11

JACK PIN LG

M^O+RA SUMMING NETWORK, GROUP 5

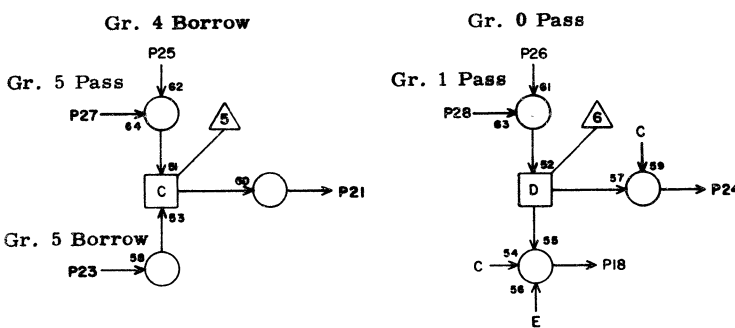
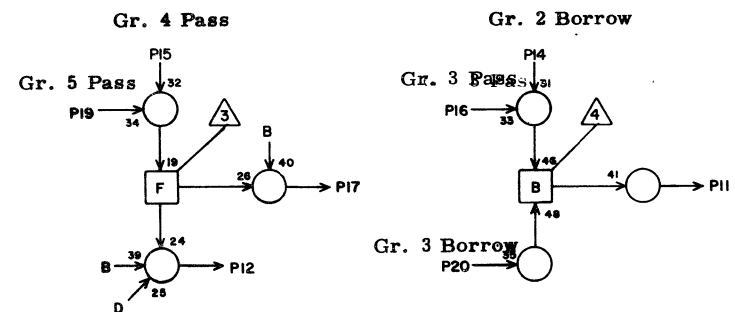
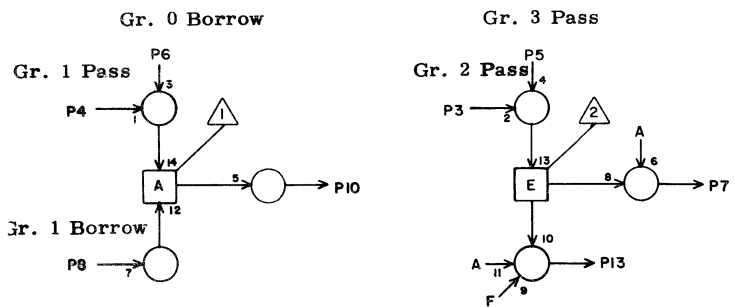


QB 5R06

1	R13	9	11
2	R13	8	11
3	006	7	15
4	R13	7	11
5	006	6	15
6	R12	21	11
7	M34	21	35
8	R13	10	11
9	006	25	15
10			
11	M34	25	35
12	R13	6	11
13	006	21	15
14	R08	25	5
15	006	12	15
16	R07	23	3
17	006	10	15
18	R12	22	11
19	M34	20	35
20	R07	27	3
21	R08	18	5
22	R07	19	3
23			
24	R08	15	5
25	R08	7	5
26	R12	23	11
27	R08	11	5
28	R13	5	11

JACK PIN LG

M⁰+RA PASS AND BORROW CIRCUITS

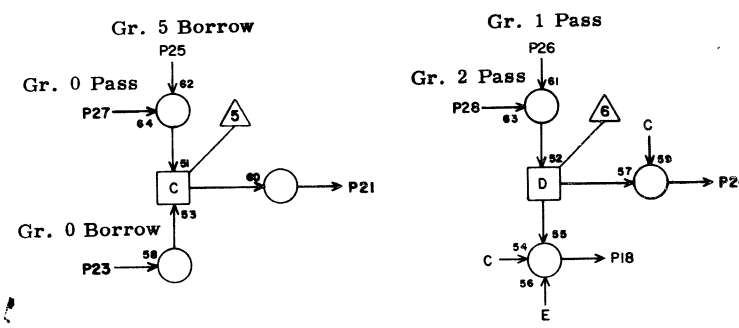
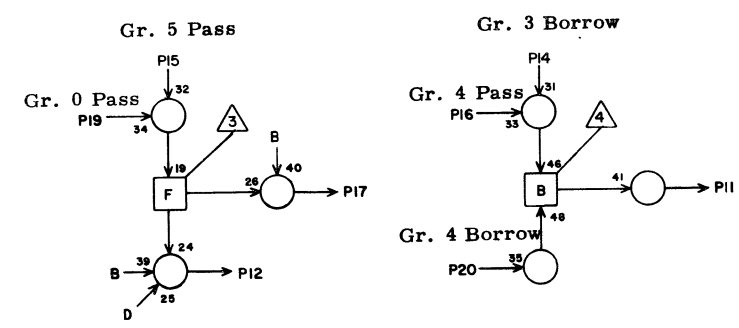
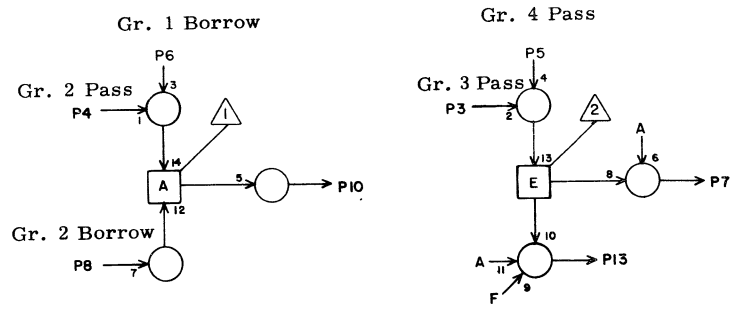


QC 5R07

1			
2			
3	RO3	22	7
4	RO2	20	7
5	RO4	22	5
6	RO1	16	7
7	RO5	25	5
8	RO2	14	7
9			
10	RO3	27	5
11	RO5	27	5
12	RO3	21	5
13	RO1	21	7
14	RO3	14	5
15	RO5	22	5
16	RO4	20	5
17	RO1	25	7
18	RO5	21	3
19	RO6	22	3
20	RO4	14	5
21	RO1	27	7
22			
23	RO6	16	3
24	RO3	25	5
25	RO5	14	5
26	RO1	22	7
27	RO6	20	3
28	RO2	22	7

JACK PIN LG

M⁰+RA PASS AND BORROW CIRCUITS

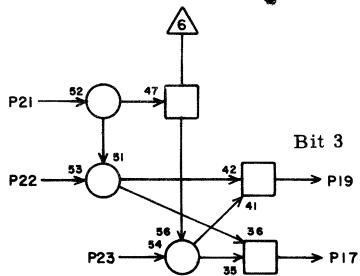
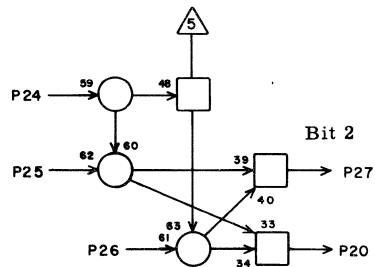
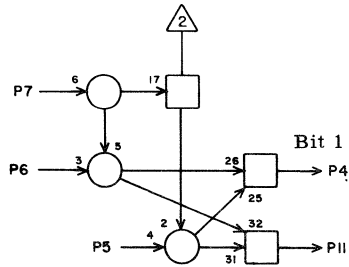
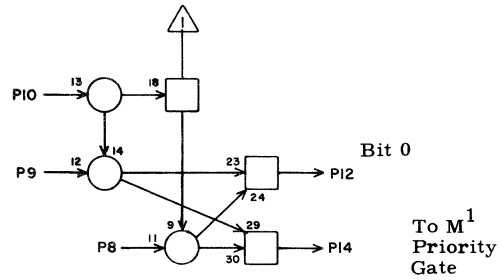


QC 5R08

1			
2			
3	RO4	24	7
4	RO3	20	7
5	RO5	24	5
6	RO2	16	9
7	RO6	25	5
8	RO3	16	7
9			
10	RO4	27	5
11	RO6	27	5
12	RO4	21	5
13	RO2	21	7
14	RO4	16	5
15	RO6	24	5
16	RO5	20	5
17	RO2	25	5
18	RO6	21	5
19	RO1	24	1
20	RO5	16	5
21	RO2	27	5
22			
23	RO1	14	1
24	RO4	25	5
25	RO6	14	5
26	RO2	24	5
27	RO1	20	1
28	RO3	24	7

JACK PIN LG

M⁰+RA RESULT NETWORK

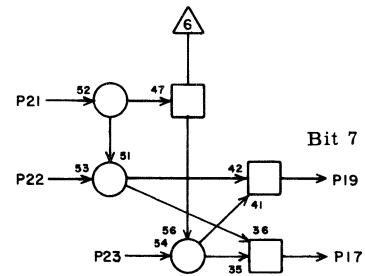
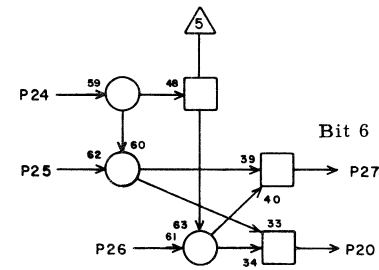
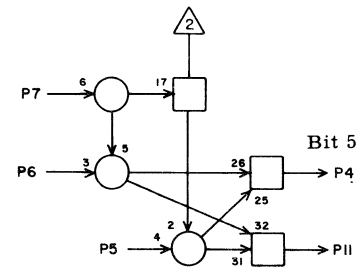
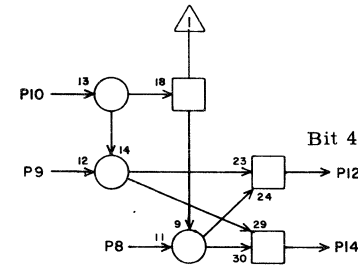


TJ **5R09**

1			
2			
3			
4	Q22	3	17
5	RO1	2	13
6	RO1	1	11
7	RO1	8	13
8	RO1	26	13
9	RO1	18	13
10	RO1	6	11
11			
12	Q22	4	17
13			
14			
15			
16			
17	Q22	18	17
18			
19			
20	Q22	13	17
21	RO2	6	11
22	RO2	18	11
23	RO2	26	13
24	RO1	4	13
25	RO1	12	13
26	RO1	28	13
27			
28			

JACK PIN LG

M⁰+RA RESULT NETWORK

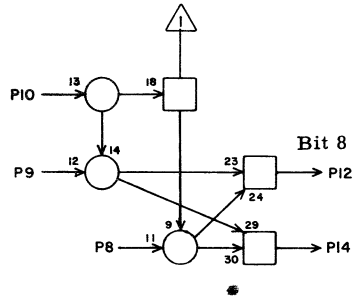


TJ **5R10**

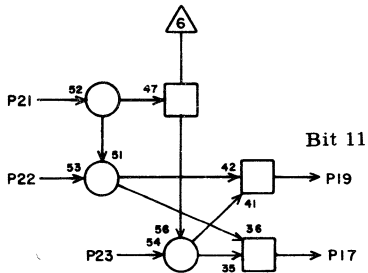
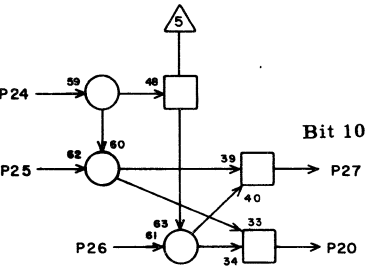
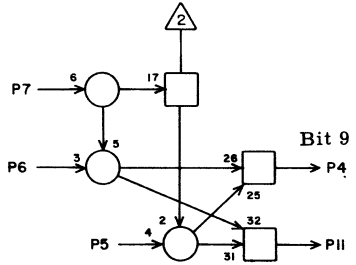
1			
2			
3			
4	Q22	25	15
5	RO2	28	11
6	RO2	12	13
7	RO2	4	13
8	RO2	2	11
9	RO2	1	13
10	RO2	8	11
11			
12	Q22	26	15
13			
14			
15			
16			
17	Q23	3	17
18			
19			
20	Q23	4	17
21	RO3	8	11
22	RO3	1	11
23	RO3	2	11
24	RO3	6	11
25	RO3	18	11
26	RO3	26	11
27			
28			

JACK PIN LG

M⁰+RA RESULT NETWORK



To M¹
Priority
Gate

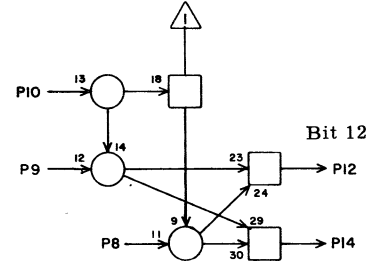


TJ 5R11

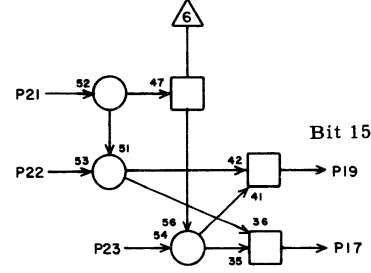
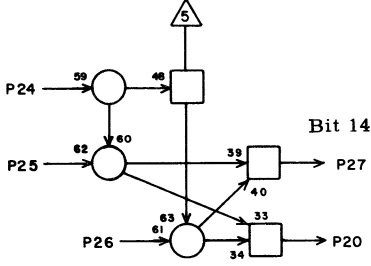
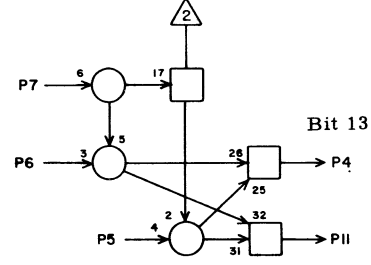
1			
2			
3			
4	Q23	18	15
5	RO4	26	11
6	RO4	18	11
7	RO4	6	11
8	RO3	28	13
9	RO3	12	13
10	RO3	4	13
11			
12	Q23	13	15
13			
14			
15			
16			
17	Q23	25	15
18			
19			
20	Q23	26	15
21	RO4	4	11
22	RO4	12	11
23	RO4	28	11
24	RO4	8	11
25	RO4	1	11
26	RO4	2	11
27			
28			

JACK PIN LG

M⁰+RA RESULT NETWORK



To M¹
Priority
Gate

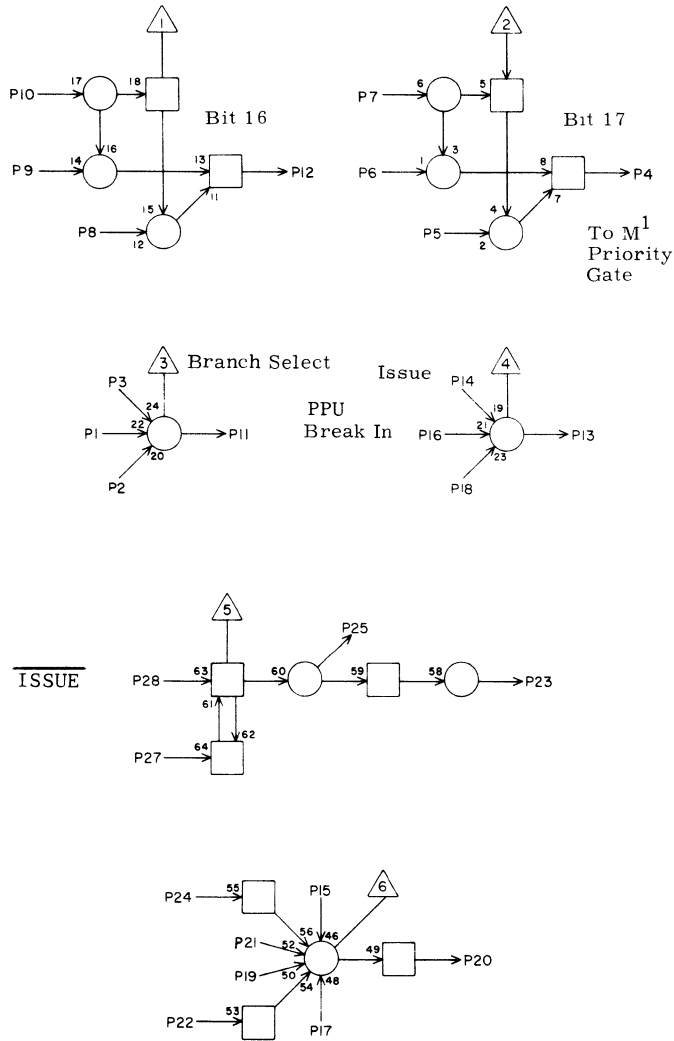


TJ 5R12

1			
2			
3			
4	Q24	3	17
5	RO5	2	11
6	RO5	1	11
7	RO5	8	11
8	RO5	26	11
9	RO5	18	11
10	RO5	6	11
11			
12	Q24	4	15
13			
14			
15			
16			
17	Q24	18	15
18			
19			
20	Q24	13	15
21	RO6	6	11
22	RO6	18	11
23	RO6	26	11
24	RO5	4	11
25	RO5	12	11
26	RO5	28	11
27			
28			

JACK PIN LG

M^O+RA RESULT NETWORK

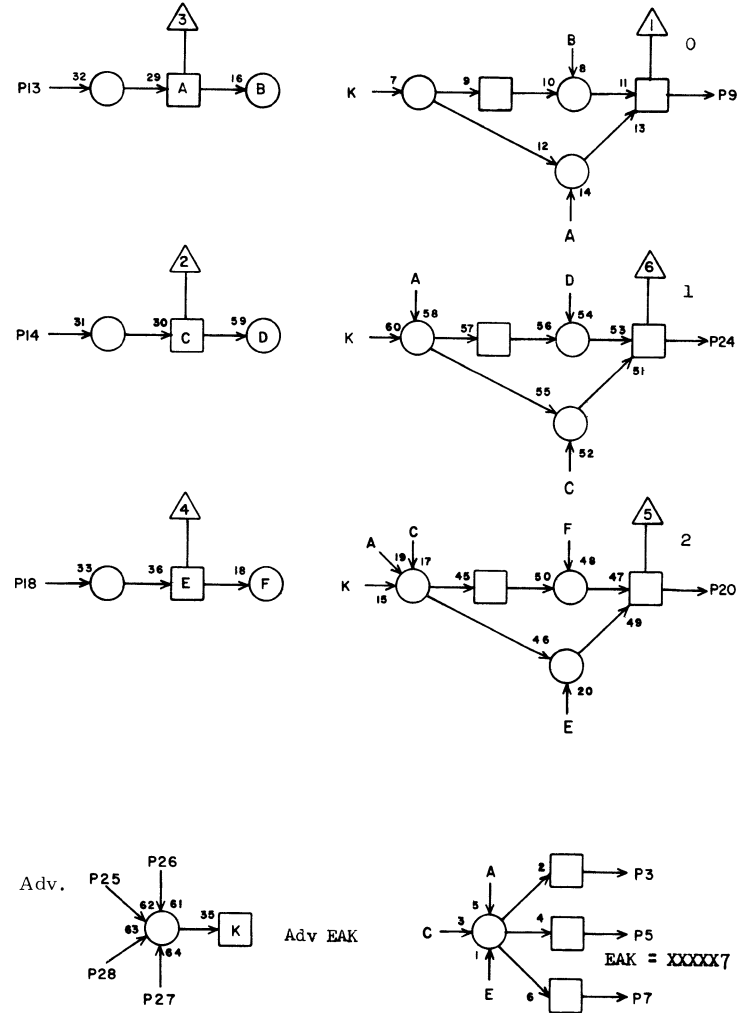


QO 5R13

1	F35	18	51
2	F35	11	53
3	F36	11	53
4	Q24	25	15
5	R06	28	11
6	R06	12	11
7	R06	4	11
8	R06	2	11
9	R06	1	11
10	R06	8	11
11	F32	18	49
12	Q24	26	15
13	F21	19	47
14	D24	5	55
15	Q19	4	23
16	N22	21	21
17			
18			
19	Q19	25	156
20	Q20	26	23
21	Q20	13	23
22	Q19	13	23
23	G30	12	156
24	Q19	15	23
25	F21	11	49
26			
27	E29	22	51
28	G30	24	41

JACK PIN LG

Exchange Address Counter (EAK)

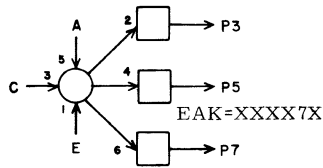
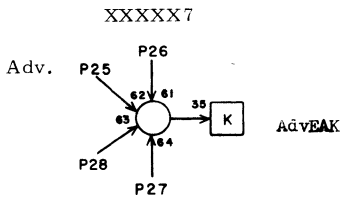
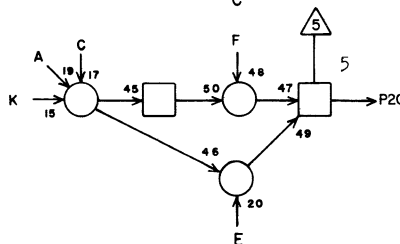
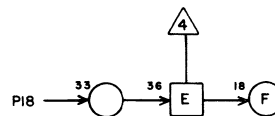
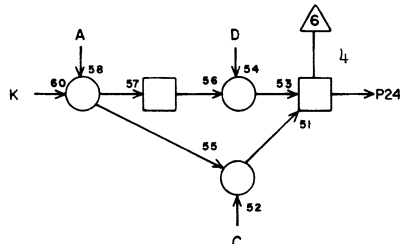
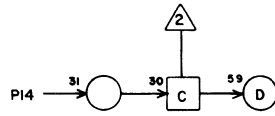
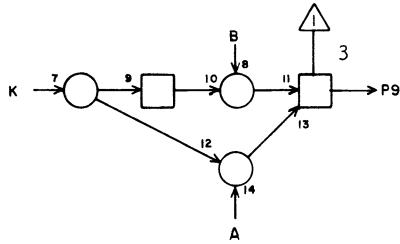
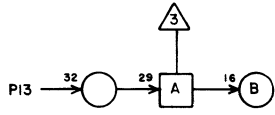


QK 5R14

1			
2			
3	R15	26	5
4			
5	R16	26	5
6			
7	Q26	25	17
8			
9	Q27	4	17
10			
11			
12			
13	Q15	1	7
14	Q15	2	7
15			
16			
17			
18	Q15	10	7
19			
20	Q27	13	17
21			
22			
23			
24	Q27	3	17
25	Q26	15	15
26	GRD	X	2
27	GRD	X	2
28	GRD	X	2

JACK PIN LG

Exchange Address Counter
(EAK)

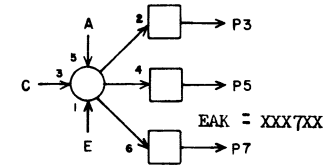
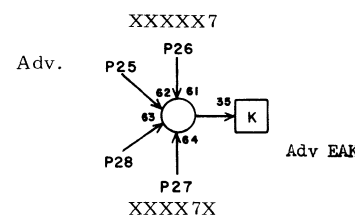
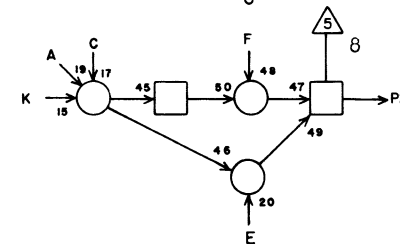
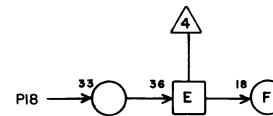
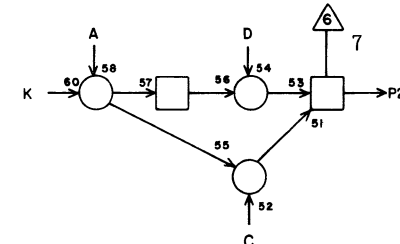
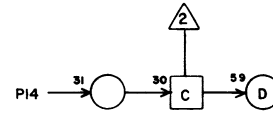
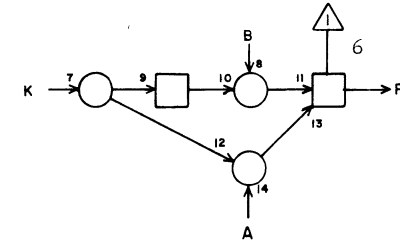
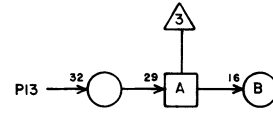


QK 5R15

1			
2			
3	R16	27	3
4			
5			
6			
7	Q26	27	17
8			
9	Q27	18	15
10			
11			
12			
13	Q15	17	7
14	Q15	25	5
15			
16			
17			
18	Q15	26	5
19			
20	Q27	25	15
21			
22			
23			
24	Q27	26	15
25	Q26	12	15
26	R14	3	5
27			
28			

JACK PIN LG

Exchange Address Counter
(EAK)

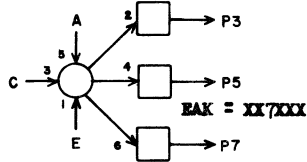
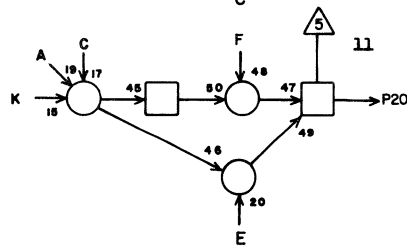
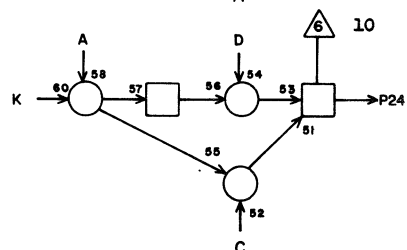
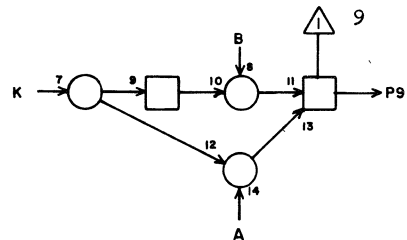
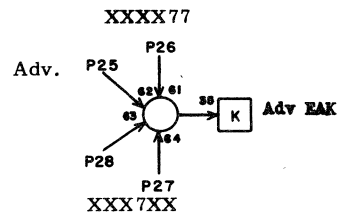
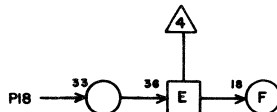
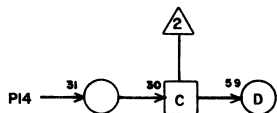
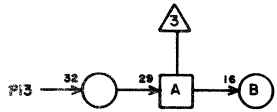


QK 5R16

1			
2			
3	R17	27	5
4			
5	P19	2	11
6			
7	P19	21	13
8			
9	Q28	4	15
10			
11			
12			
13	Q16	1	7
14	Q16	2	7
15			
16			
17			
18	Q16	10	7
19			
20	Q28	13	15
21			
22			
23			
24	Q28	3	17
25	Q26	19	15
26	R14	5	5
27	R15	3	5
28			

JACK PIN LG

Exchange Address Counter
(EAK)

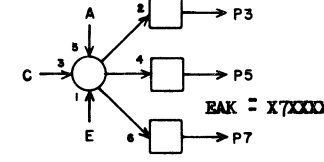
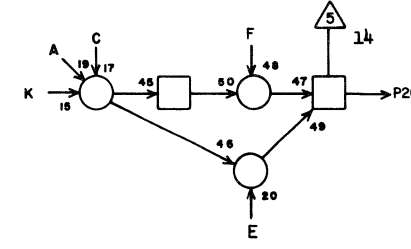
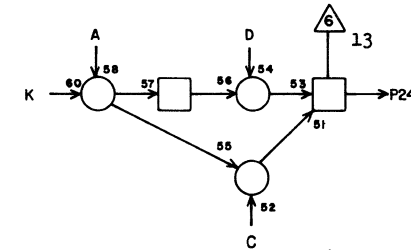
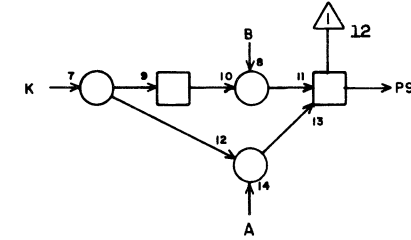
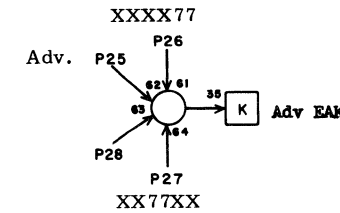
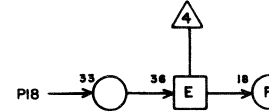
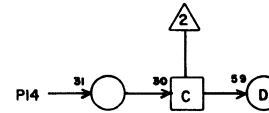
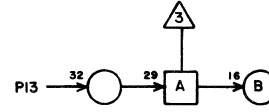


QK 5R17

1			
2			
3			
4			
5	P19	27	11
6			
7	P19	23	11
8			
9	Q28	18	15
10			
11			
12			
13	Q16	17	5
14	Q16	25	5
15			
16			
17			
18	Q16	26	5
19			
20	Q28	25	13
21			
22			
23			
24	Q28	26	15
25	Q26	21	13
26	Q26	16	13
27	R16	3	5
28			

JACK PIN LG

Exchange Address Counter
(EAK)

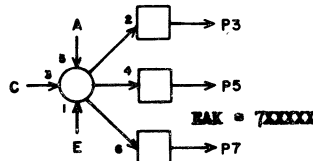
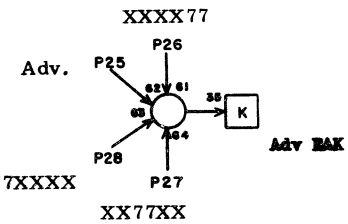
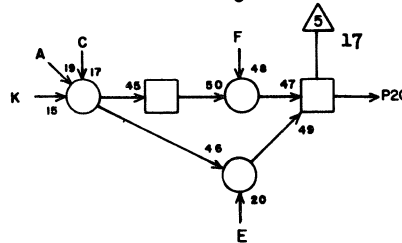
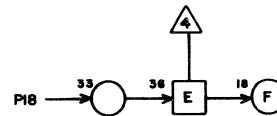
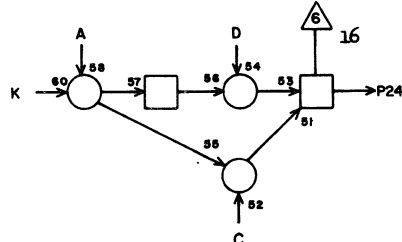
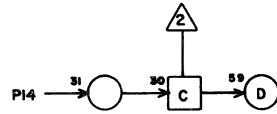
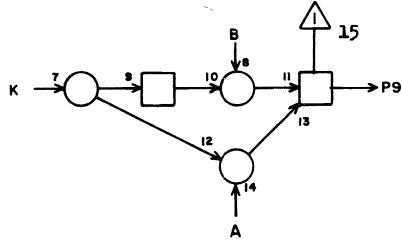
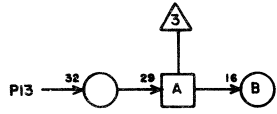


QK 5R18

1			
2			
3	R19	28	5
4			
5			
6			
7			
8			
9	Q29	4	15
10			
11			
12			
13	Q17	1	7
14	Q17	2	7
15			
16			
17			
18	Q17	10	7
19			
20	Q29	13	15
21			
22			
23			
24	Q29	3	15
25	Q26	23	25
26	Q26	18	13
27	N07	16	21
28			

JACK PIN LG

Exchange Address Counter
(EAK)



QK

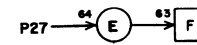
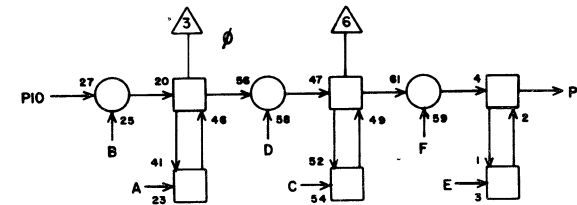
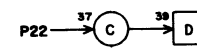
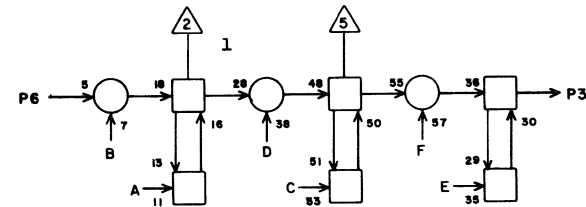
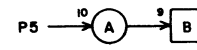
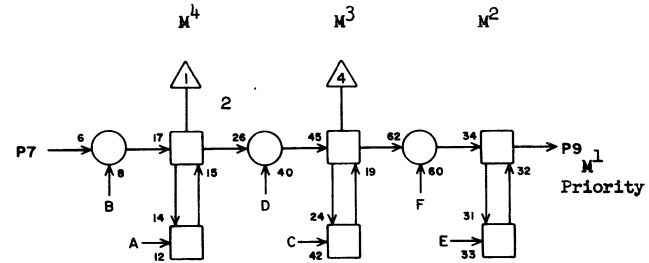
5R19

1			
2			
3			
4			
5			
6			
7			
8			
9	Q29	18	13
10			
11			
12			
13	Q17	17	7
14	Q17	25	5
15			
16			
17			
18	Q17	26	5
19			
20	Q29	25	13
21			
22			
23			
24	Q29	26	15
25	P21	23	13
26	Q26	20	13
27	H24	15	41
28	R18	3	5

JACK PIN LG

60150800 Rev. B

HOPPER, ADDRESS



PB

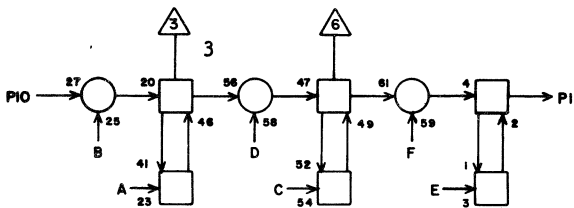
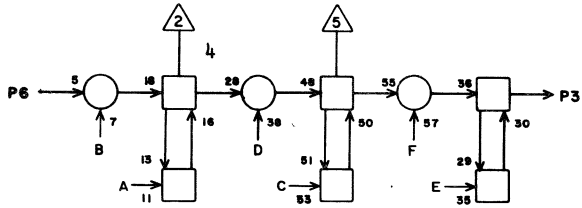
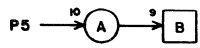
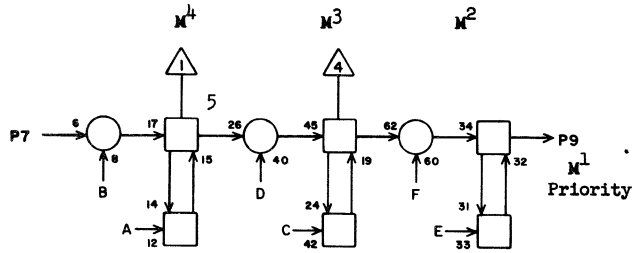
5R20

1	Q22	6	5
2			
3	Q22	5	7
4			
5	P12	25	13
6	Q09	8	15
7	Q09	19	15
8			
9	Q22	7	7
10	Q09	7	15
11			
12			
13			
14			
15			
16			
17			
18			
19			
20			
21			
22	P12	15	15
23			
24			
25			
26			
27	P11	25	15
28			

JACK PIN LG

60150800 Rev. B

HOPPER, ADDRESS

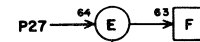
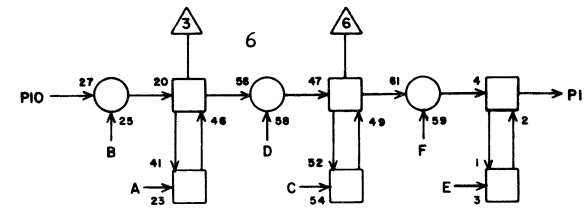
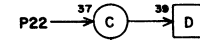
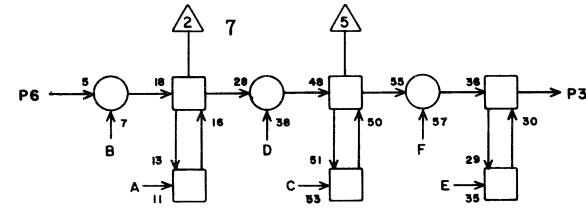
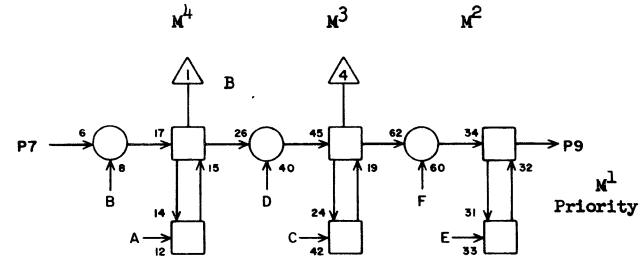


PB 5R21

1	Q22	22	5
2			
3	Q22	24	5
4			
5	P12	23	15
6	Q10	7	15
7	Q10	8	15
8			
9	Q22	23	5
10	Q09	22	15
11			
12			
13			
14			
15			
16			
17			
18			
19			
20			
21			
22	P12	7	17
23			
24			
25			
26			
27	P11	23	17
28			

JACK PIN LG

HOPPER, ADDRESS



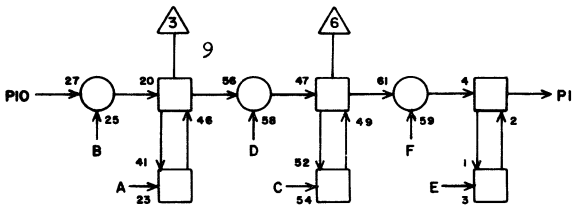
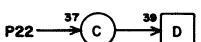
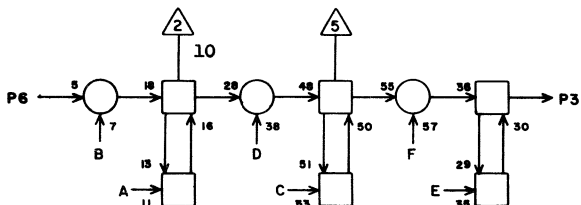
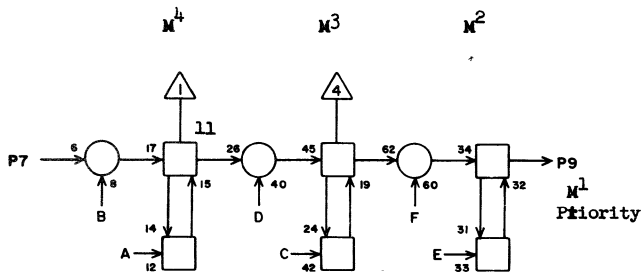
PB 5R22

1	Q23	6	5
2			
3	Q23	5	5
4			
5	P12	26	15
6	Q10	22	15
7	Q11	7	15
8			
9	Q23	7	7
10	Q10	19	15
11			
12			
13			
14			
15			
16			
17			
18			
19			
20			
21			
22	P12	6	17
23			
24			
25			
26			
27	P11	26	17
28			

JACK PIN LG

HOPPER, ADDRESS

PB 5R23



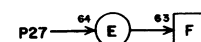
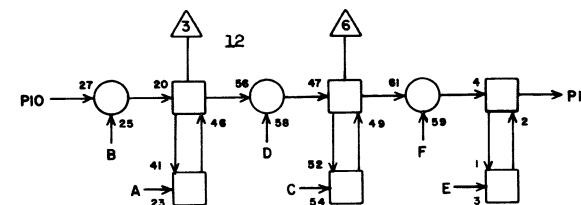
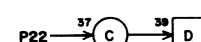
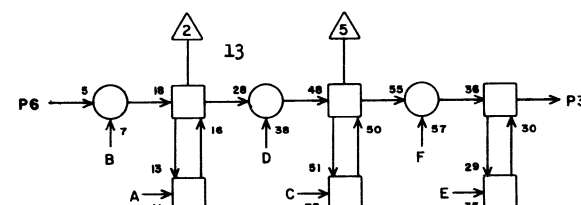
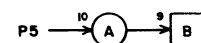
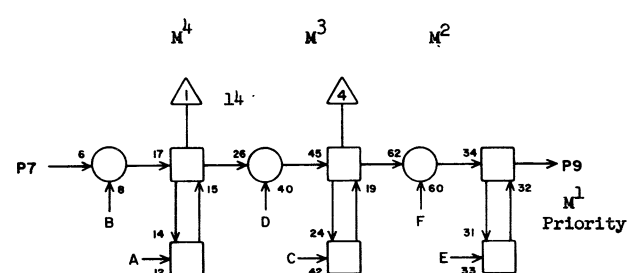
1	Q23	22	5
2			
3	Q23	24	5
4			
5	P12	24	17
6	Q11	19	15
7	Q11	22	15
8			
9	Q23	23	5
10	Q11	8	15
11			
12			
13			
14			
15			
16			
17			
18			
19			
20			
21			
22	P12	4	17
23			
24			
25			
26			
27	P11	24	19
28			

JACK PIN LG

60150800 Rev. B

HOPPER, ADDRESS

PB 5R24

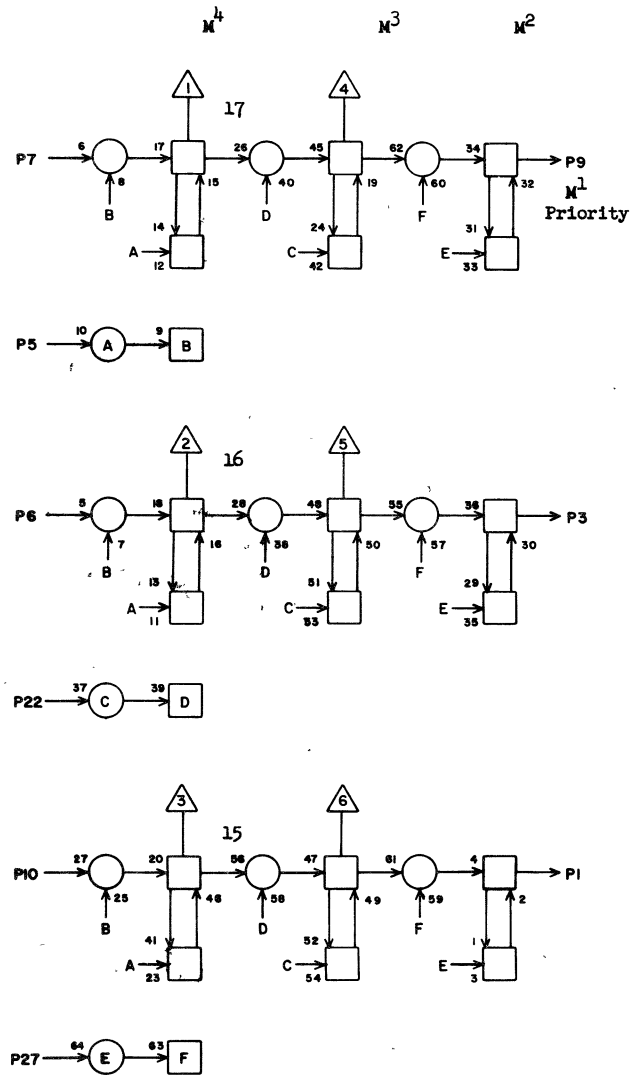


1	Q24	6	5
2			
3	Q24	5	5
4			
5	P12	22	17
6	Q12	8	15
7	Q12	19	15
8			
9	Q24	7	7
10	Q12	7	15
11			
12			
13			
14			
15			
16			
17			
18			
19			
20			
21			
22	P12	9	17
23			
24			
25			
26			
27	P11	22	19
28			

JACK PIN LG

60150800 Rev. B

HOPPER, ADDRESS

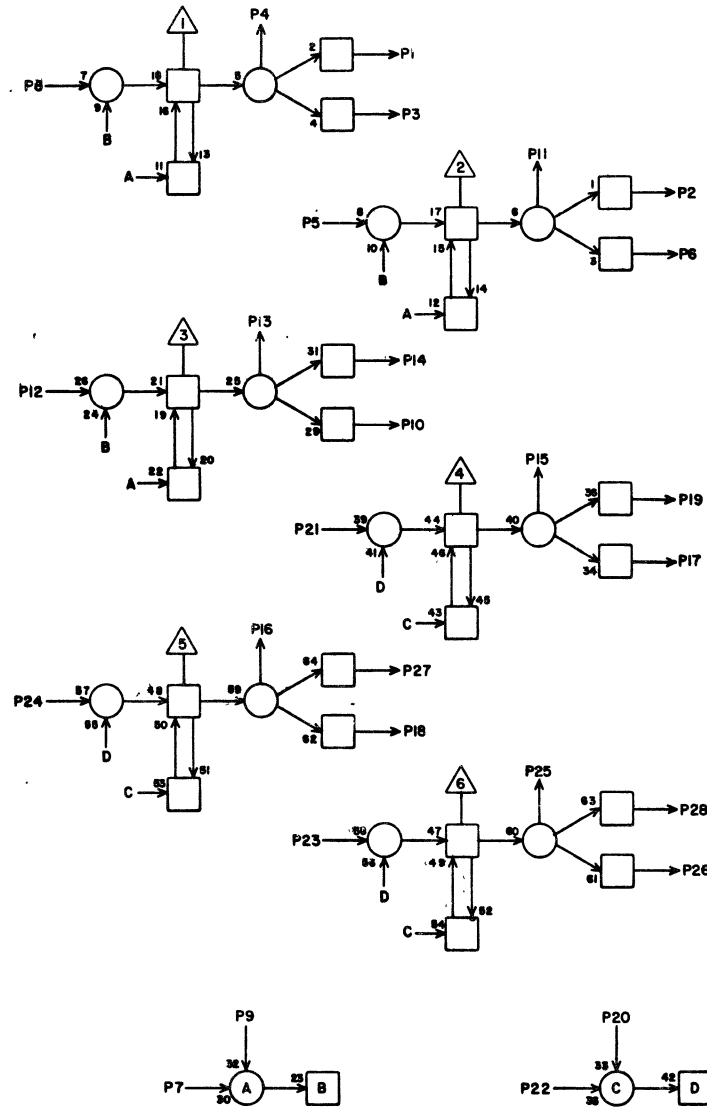


PB 5R25

1	Q24	22	5
2			
3	Q24	24	5
4			
5	P12	20	17
6	Q13	7	15
7	Q13	5	17
8			
9	Q24	23	5
10	Q12	22	17
11			
12			
13			
14			
15			
16			
17			
18			
19			
20			
21			
22	P12	11	17
23			
24			
25			
26			
27	P11	20	19
28			

JACK PIN LG

60150800 Rev. AW

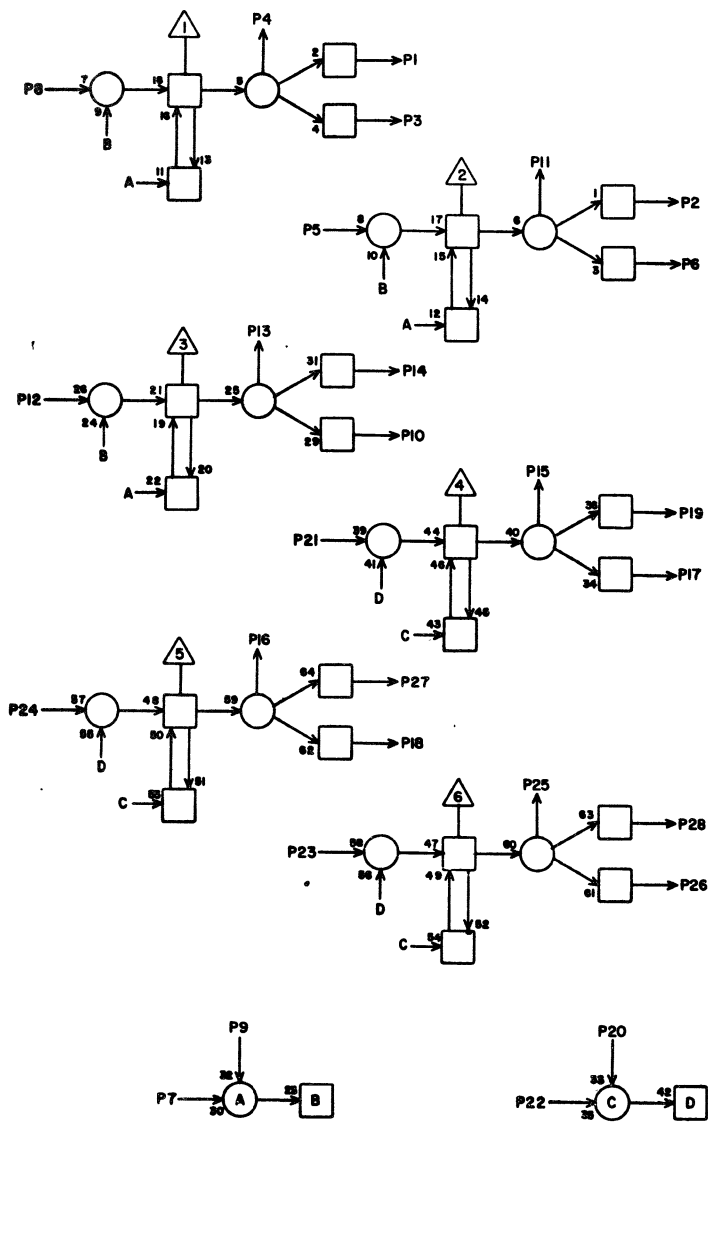


PJ R26

1	R26	21	3
2	R26	24	3
3	P35	27	13
4			
5	Q13	22	15
6	P35	3	15
7	P12	16	17
8	Q14	7	13
9			
10	R26	23	3
11			
12	Q13	10	15
13			
14	P35	2	15
15	H03	9	49
16			
17	R34	8	11
18	R34	5	11
19	P40	4	19
20			
21	R26	1	3
22	P12	13	17
23	R26	10	3
24	R26	2	5
25	Q20	28	17
26	R34	12	11
27	P40	6	19
28	P40	8	19

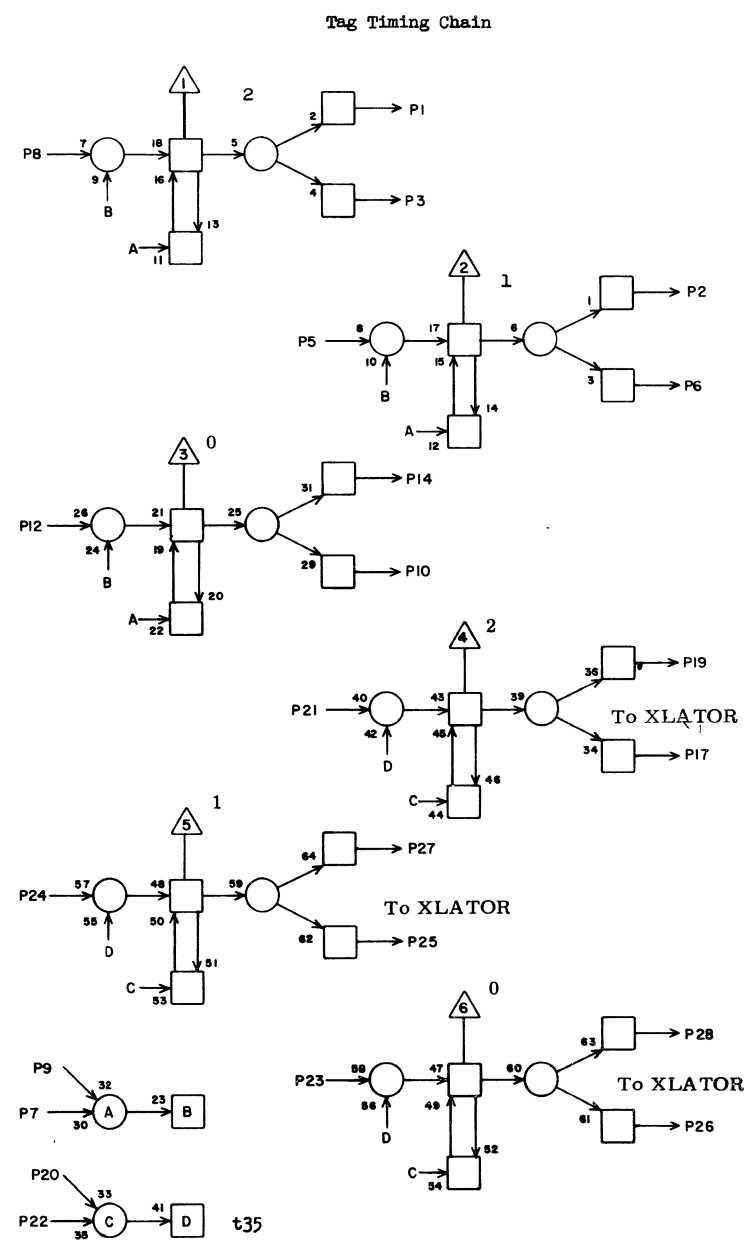
JACK PIN LG

60150800 Rev. Z



PJ			
R27			
1	R27	21	3
2	R27	24	5
3	P36	6	15
4			
5	Q14	8	17
6			
7	P12	28	19
8	N07	18	27
9			
10	R27	23	3
11			
12	Q14	5	17
13			
14	P36	3	17
15			
16	O38	3	21
17	R34	21	11
18	R34	24	11
19	P40	22	17
20			
21	R27	1	3
22	P12	1	19
23	R27	10	3
24	R27	2	5
25	H03	15	49
26	R34	23	11
27	P40	26	17
28	P40	24	17
JACK	PIN	LG	

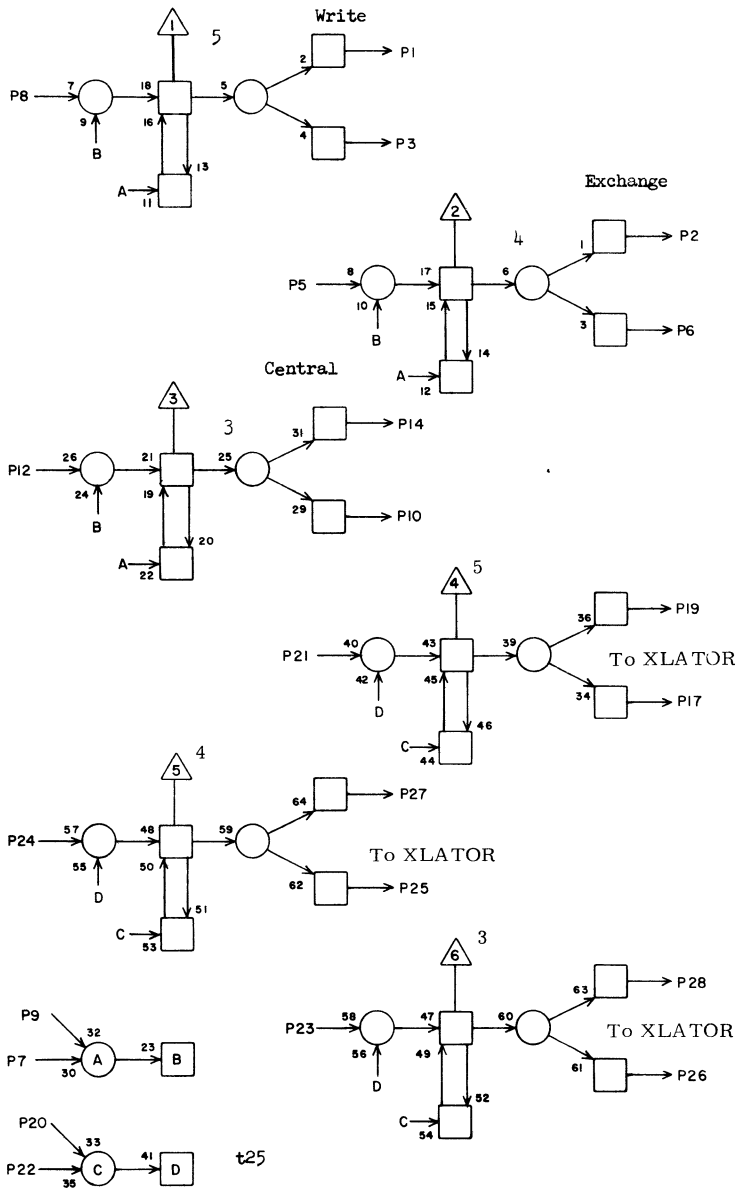
60150800 Rev. AB



PA			
5R28			
1	R28	21	3
2	R28	24	5
3			
4			
5	R34	6	7
6			
7	P11	13	21
8	R34	3	7
9			
10	R28	23	3
11			
12	R34	14	7
13			
14			
15			
16			
17	P39	14	17
18			
19	K39	2	31
20	P11	17	120
21	R28	1	3
22			
23	R28	10	3
24	R28	2	5
25	P39	12	17
26	P39	16	17
27	K39	4	31
28	M10	19	29
JACK	PIN	LG	

60150800 Rev. R

Tag Timing Chain



PA

5R29

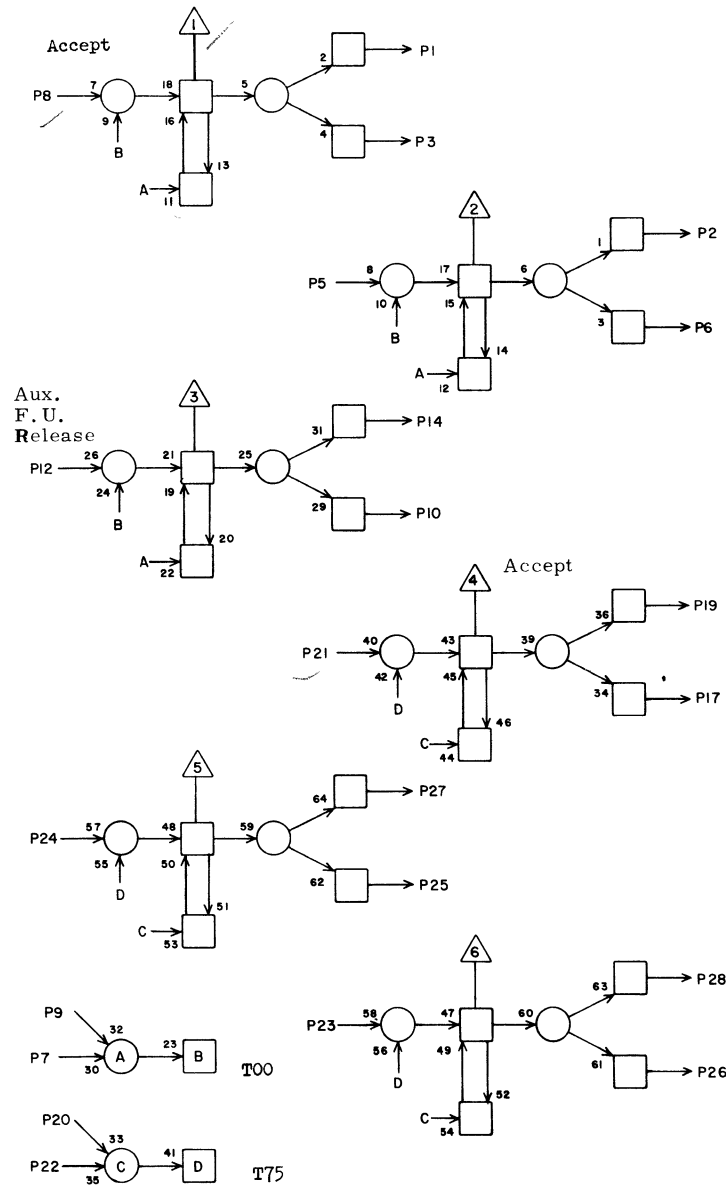
1	R29	21	3
2	R29	24	5
3			
4			
5	R34	27	7
6			
7	P11	1	21
8	R34	19	7
9			
10	R29	23	3
11			
12	R34	28	7
13			
14			
15			
16			
17	P39	24	15
18			
19			
20	P11	27	21
21	R29	1	3
22			
23	R29	10	3
24	R29	2	5
25	P39	22	17
26	P39	19	17
27	Q20	5	17
28			

JACK PIN LG

60150800 Rev. N

PA

5R30



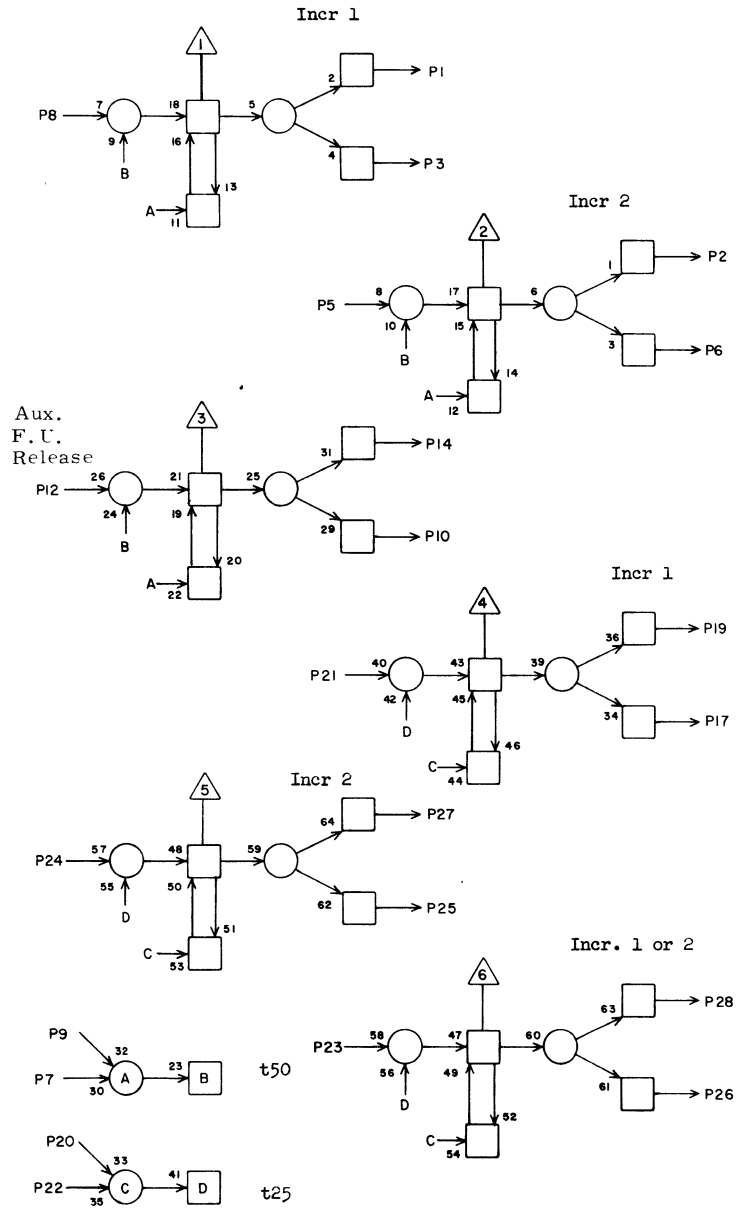
5R30

1	R30	21	3
2	R30	24	5
3	H07	9	45
4			
5	R30	19	3
6	K39	6	31
7	P11	8	21
8	P40	21	15
9			
10	R30	23	3
11			
12	R31	10	3
13			
14	P38	2	17
15			
16			
17	R33	12	5
18			
19	R30	5	3
20	P12	17	21
21	R30	1	3
22			
23	R30	10	3
24	R30	2	3
25	P38	26	15
26	Q04	15	27
27	I02	26	45
28			

JACK PIN LG

60150800 Rev. R

Incr. Sequences



Aux.
F. U.
Release

t50

t25

PA

5R31

1	P18	25	19
2	P18	28	19
3	Q19	27	19
4			
5	Q19	18	180
6	Q19	25	19
7	Q31	22	5
8	Q19	26	180
9			
10	R30	12	3
11			
12	H25	16	41
13			
14	F33	5	49
15			
16			
17	R32	8	3
18			
19	P21	21	17
20	P11	19	23
21	P18	16	17
22			
23	Q19	28	19
24	P18	22	17
25	R32	5	5
26	R39	1	13
27	P18	1	17
28	R32	12	3

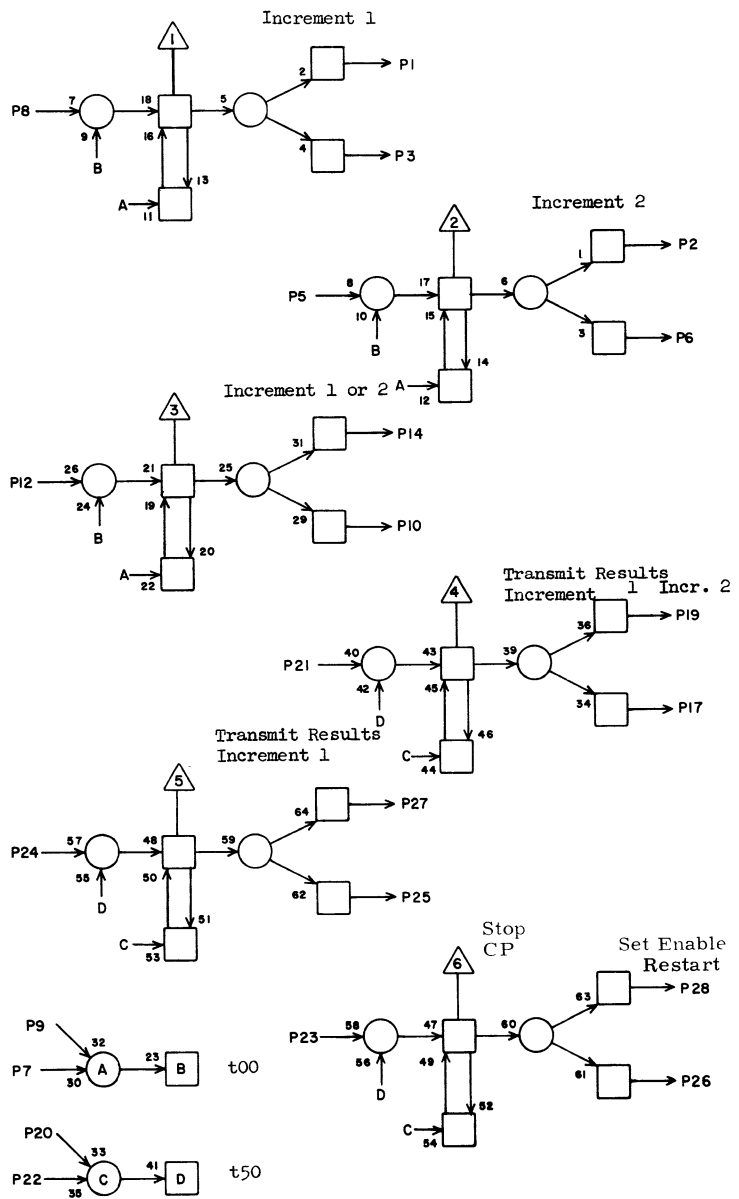
60150800 Rev. AB

JACK PIN LG

PA

5R32

Increment Sequences



Transmit Results
Increment 1

Transmit Results
Increment 1
Incr. 2

Stop CP
Set Enable
Restart

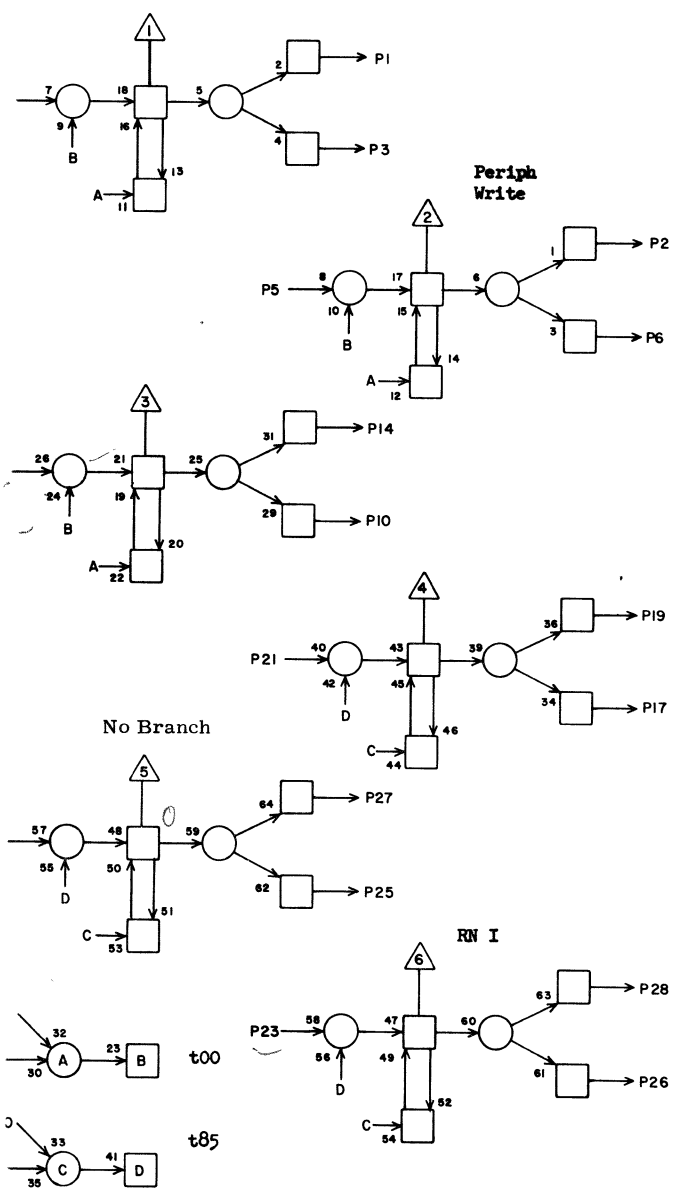
t00

t50

1	Q30	20	7
2	Q30	18	5
3	Q08	23	108
4			
5	R31	25	5
6	Q07	5	108
7	P11	12	20
8	R31	17	3
9			
10			
11			
12	R31	28	3
13			
14			
15			
16			
17	F41	14	47
18			
19	F42	14	49
20	Q31	21	60
21	H24	10	45
22			
23	F37	23	49
24	I33	19	37
25	Q18	14	21
26	G36	16	47
27			
28	F37	14	49

60150800 Rev. EE

JACK PIN LG

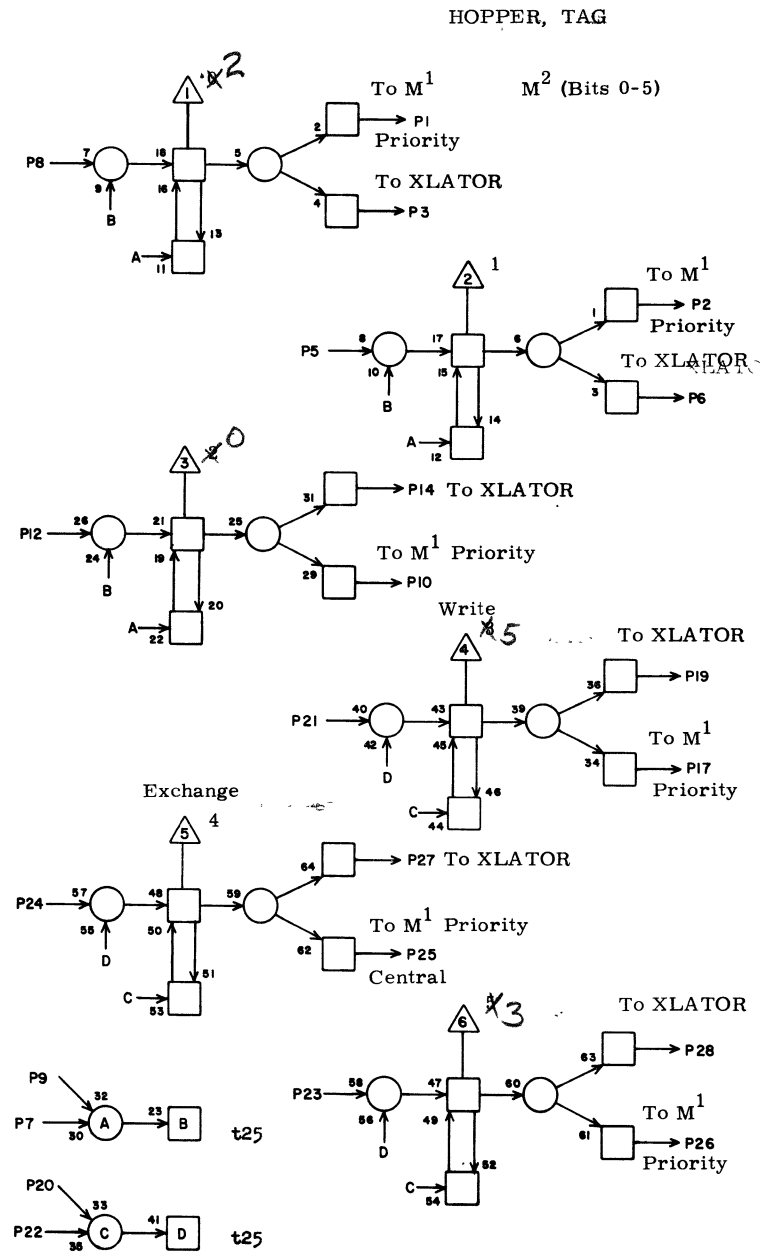


*Serials 8 and up only, M11 - 14

PA 5R33

1	R33	21	3
2	Q25	27	120
3	Q06	25	25
4			
5	Q41	7	17
6			
7	W09	8	29
8	Q20	10	19
9			
10	P39	23	13
11			
12	R30	17	5
13			
14	Q21	7	19
15			
16			
17	P21	18	25
18			
19	Q19	24	17
20	N08	9	29
21	R33	1	3
22	N21	21	27
23	P39	20	15
24	L14	17	132
25	A21	26	180
26	Q21	3	17
27	I06	26	45
28	P10	11	25
	JACK	PIN	LG

60150800 Rev. BE

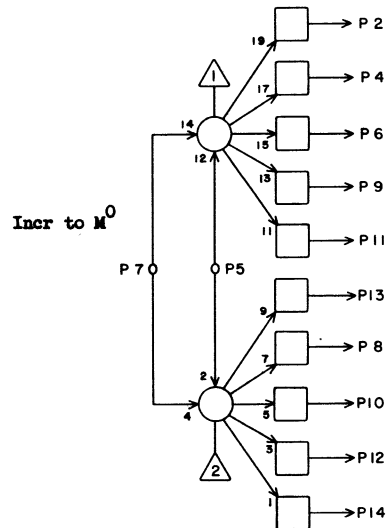


PA 5R34

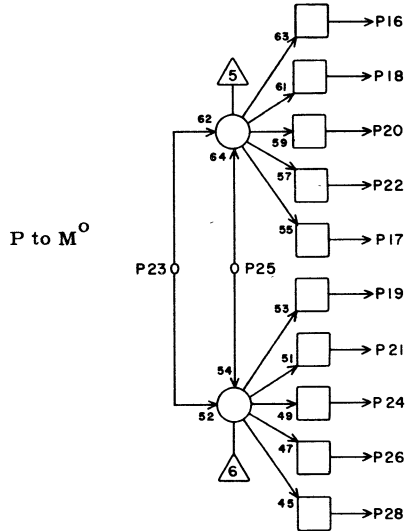
1	Q25	7	13
2	Q25	5	13
3	R28	8	7
4			
5	R26	18	15
6	R28	5	7
7	P11	18	25
8	R26	17	11
9			
10	Q25	6	13
11			
12	R26	26	13
13			
14	R28	12	7
15			
16			
17	P21	7	19
18			
19	R29	8	7
20	P11	28	25
21	R27	17	11
22			
23	R27	26	11
24	R27	18	11
25	P21	13	19
26	Q25	22	96
27	R29	5	7
28	R29	12	7
	JACK	PIN	LG

60150800 Rev. BG

5R34



Clear Incr. address



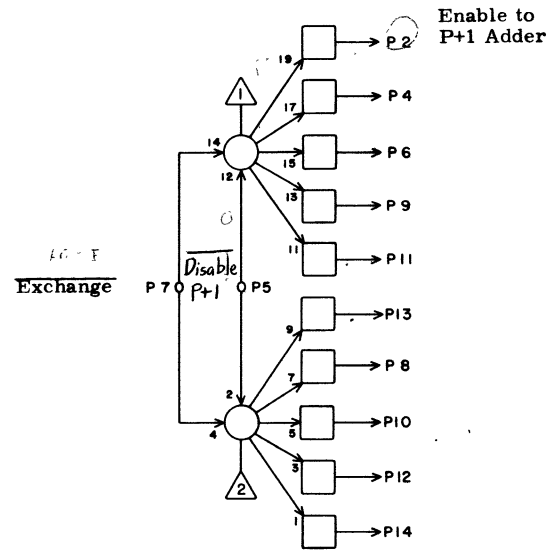
Clear P

HC 5R35

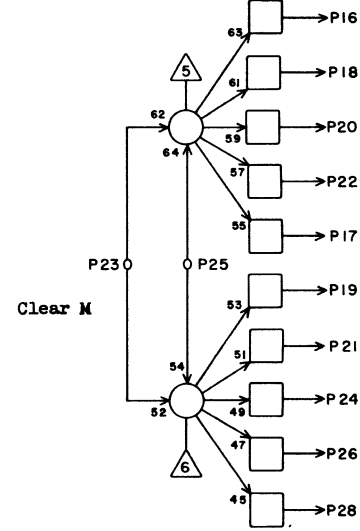
1			
2	001	16	35
3			
4	002	16	33
5	P37	10	13
6	003	16	33
7	N08	1	31
8	P36	18	11
9	004	16	33
10			
11	005	16	31
12	Q30	9	7
13	006	16	31
14	P37	16	180
15			
16	001	18	35
17	005	18	31
18	002	18	33
19	006	18	31
20	003	18	33
21			
22	004	18	33
23	P37	18	13
24			
25	N08	2	31
26	P36	16	13
27			
28	Q33	25	120

JACK PIN LG

60150800 Rev. B



Enable to P+1 Adder



Clear M

HC 5R36

1			
2	N01	25	37
3			
4	N02	25	37
5	P37	20	11
6	N03	25	35
7	N26	28	21
8			
9	N04	25	35
10			
11	N05	25	33
12			
13	N06	25	33
14			
15			
16	001	15	35
17	005	15	33
18	002	15	35
19	006	15	33
20	003	15	35
21			
22	004	15	33
23	P37	13	13
24			
25	N08	4	31
26			
27			
28	Q30	21	11

JACK PIN LG

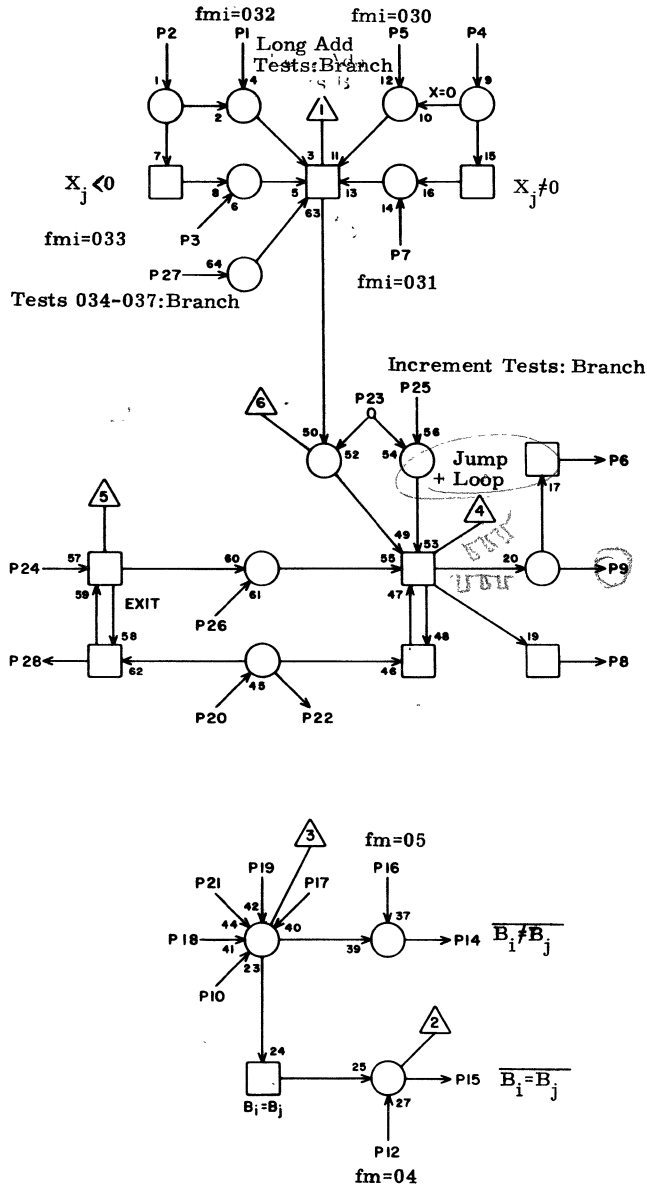
60150800 Rev. B

LS63069300
ASSY

A
REV

CONDITION MET NETWORK

QQ

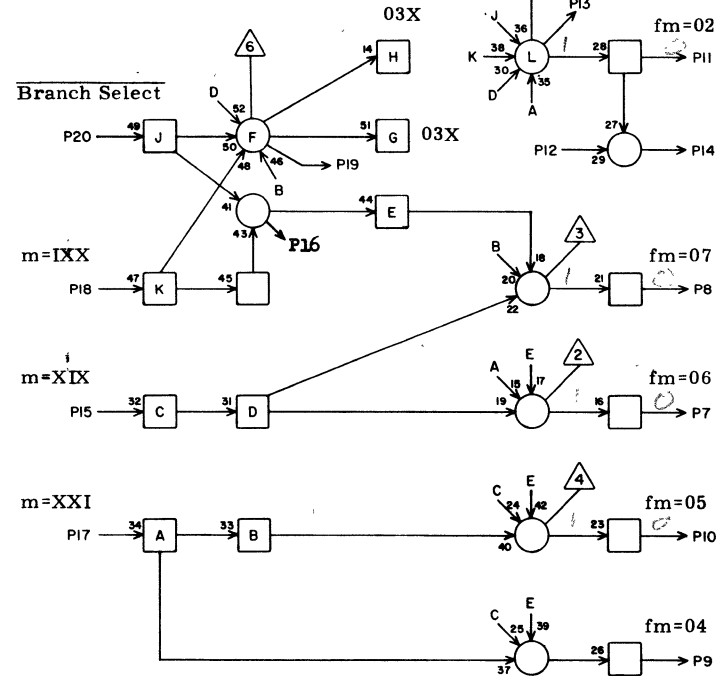
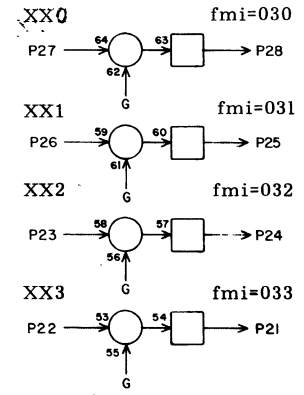
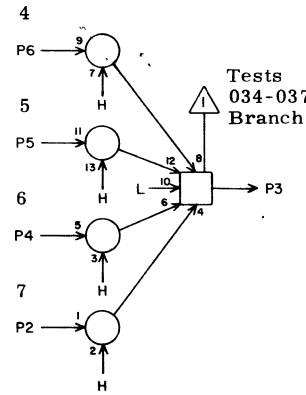


5R37

1	R38	24	3
2	042	1	17
3	R38	21	3
4	042	13	15
5	R38	28	3
6			
7	R38	25	3
8	Q04	17	31
9	P10	3	29
10	007	16	31
11			
12	R38	9	3
13			
14	011	9	29
15	011	19	31
16	R38	10	3
17	011	26	29
18	008	16	29
19	010	16	29
20	P10	17	156
21	009	16	29
22	P19	11	29
23	P38	5	15
24	P21	4	60
25	L09	17	37
26	Q32	6	60
27	R38	3	5
28	016	20	25

JACK PIN LG
CIRCUIT SPECIFICATION 11827600

60150800 Rev. AZ



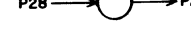
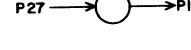
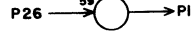
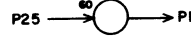
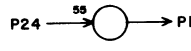
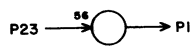
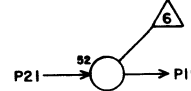
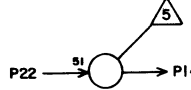
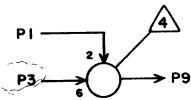
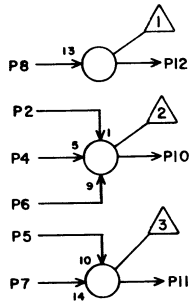
CM 5R38

1			
2	Q05	7	31
3	R37	27	3
4	Q05	12	33
5	Q05	26	33
6	Q05	19	33
7	011		29
8	011		29
9	R37	12	3
10	R37	16	3
11	N10	21	29
12	H25	18	43
13	016	17	25
14	013	5	29
15	Q04	5	33
16	Q05	3	33
17	Q04	9	33
18	Q04	10	33
19	Q05	2	33
20	Q26	6	15
21	R37	3	3
22	Q05	6	33
23	Q05	5	33
24	R37	1	3
25	R37	7	3
26	Q05	23	33
27	Q05	28	33
28	R37	5	3

JACK PIN LG

60150800 Rev. B

5R38



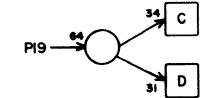
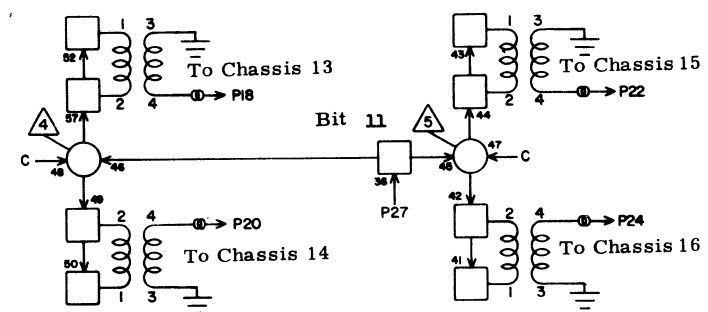
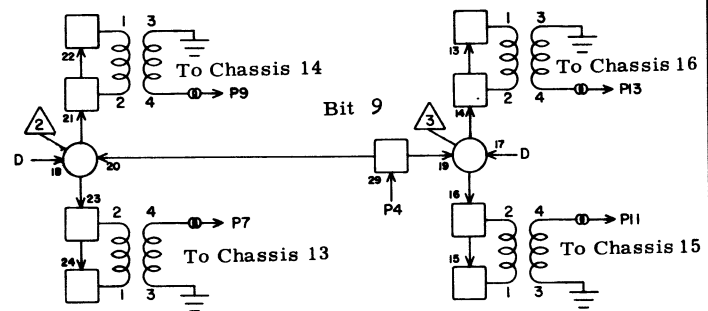
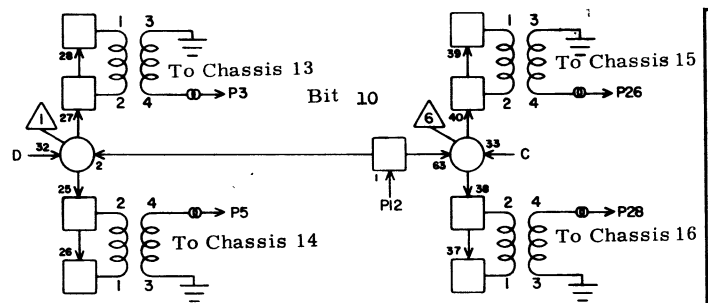
Clear Incr. Input

JACK	PIN	LG
1	R31	26 13
2	R39	18 5
3	Q31	27 13
4	R39	13 5
5	Q06	28 31
6	O37	19 13
7	GND	X 2
8	M08	15 35
9	O20	3 43
10	H30	25 39
11	L03	15 156
12	L42	6 27
13	R39	4 5
14	H05	20 41
15	I40	18 39
16	P38	3 13
17	N28	15 23
18	R39	2 5
19	L42	4 27
20	Q37	12 57
21	M08	9 37
22	O36	26 13
23	N28	7 21
24	P18	12 21
25	N10	28 33
26	L13	17 33
27	G40	15 43
28	Q18	19 27

CIRCUIT SPECIFICATION 11827600
60150800 Rev. AZ

ADDRESS TO CENTRAL MEMORY

6601 & 6613 ONLY



JACK	PIN	LG
1		
2		
3	W32	92
4	Q11	5 29
5	W33	92
6		
7	W32	91
8		
9	W33	91
10		
11	W34	91
12	Q11	28 29
13	W35	91
14		
15		
16		
17		
18	W32	93
19	P41	28 11
20	W33	93
21		
22	W34	93
23		
24	W35	93
25		
26	W34	92
27	Q11	27 29
28	W35	92

JACK PIN LG

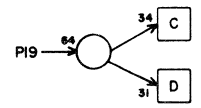
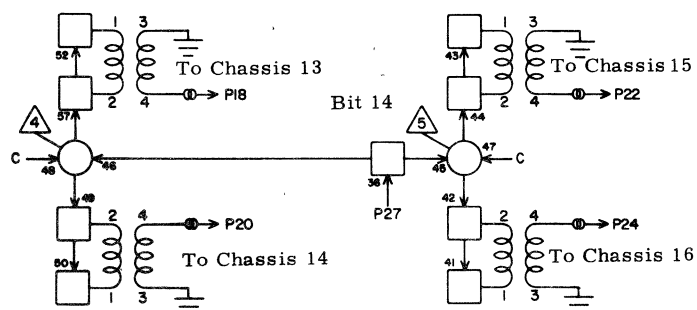
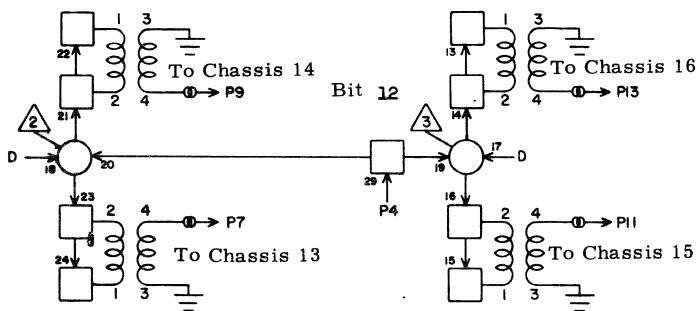
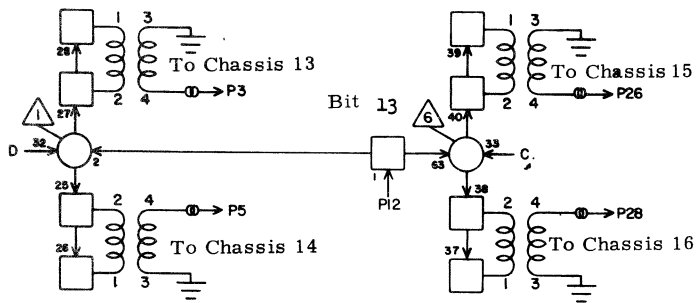
* On 6614 To P19-10
** On 6614 To F37-12

ADDRESS TO CENTRAL MEMORY

6601 & 6613 ONLY

JH

5R41



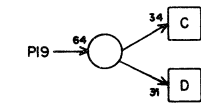
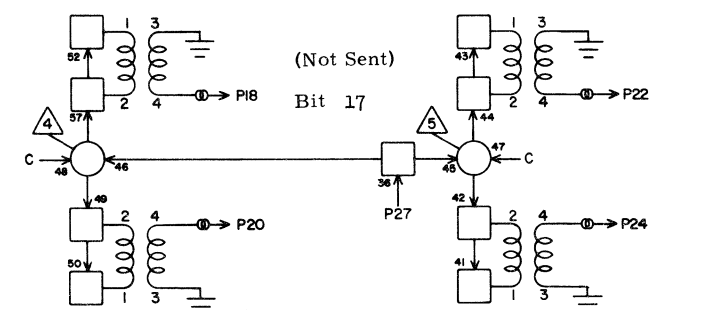
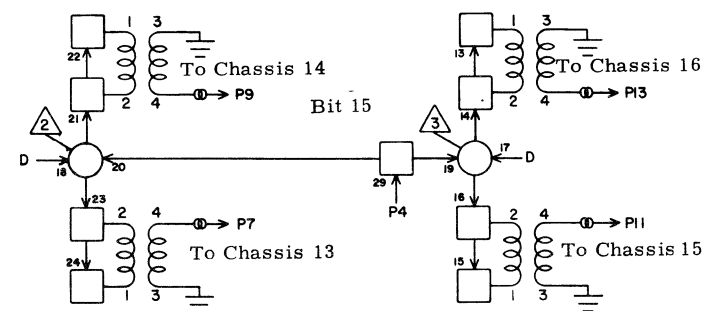
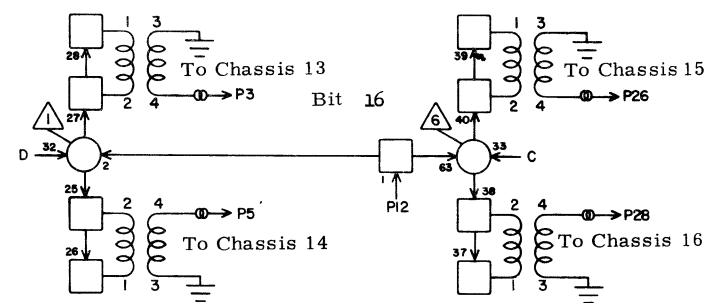
1			
2			
3	W32	95	
4	Q12	6	29
5	W33	95	
6			
7	W32	94	
8			
9	W33	94	
10			
11	W34	94	
12	Q12	5	29
13	W35	94	
14			
15			
16			
17			
18	W32	96	
19	P41	19	13
20	W33	96	
21			
22	W34	96	
23			
24	W35	96	
25			
26	W34	95	
27	Q12	28	29
28	W35	95	
	JACK	PIN	LG

ADDRESS TO CENTRAL MEMORY

6601 & 6613 ONLY

JH

5R42



1			
2			
3	W32	98	
4	Q12	27	31
5	W33	98	
6			
7	W32	97	
8			
9	W33	97	
10			
11	W34	97	
12	Q13	4	29
13	W35	97	
14			
15			
16			
17			
18			
19	P41	27	11
20			
21			
22			
23			
24			
25			
26	W34	98	
27			
28	W35	98	
	JACK	PIN	LG

COMMENT SHEET

MANUAL TITLE CONTROL DATA 6600 COMPUTER SYSTEM

Chassis 5 C. E. Manual

PUBLICATION NO. 60150800 REVISION _____

FROM: NAME: _____
BUSINESS ADDRESS: _____

COMMENTS:

This form is not intended to be used as an order blank. Your evaluation of this manual will be welcomed by Control Data Corporation. Any errors, suggested additions or deletions, or general comments may be made below. Please include page number references and fill in publication revision level as shown by the last entry on the Record of Revision page at the front of the manual. Customer engineers are urged to use the TAR.

CUT ALONG LINE

FORM CA231 REV. 1-67

NO POSTAGE STAMP NECESSARY IF MAILED IN U. S. A.

FOLD ON DOTTED LINES AND STAPLE

STAPLE

STAPLE

FOLD

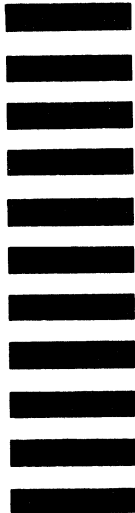
FOLD

FIRST CLASS
PERMIT NO. 8241
MINNEAPOLIS, MINN.

BUSINESS REPLY MAIL
NO POSTAGE STAMP NECESSARY IF MAILED IN U.S.A.

POSTAGE WILL BE PAID BY
CONTROL DATA CORPORATION
8100 34TH AVENUE SOUTH
MINNEAPOLIS, MINNESOTA 55440

ATTN: TECHNICAL PUBLICATIONS DEPT.
PLANT TWO



CUT ALONG LINE

FOLD

FOLD