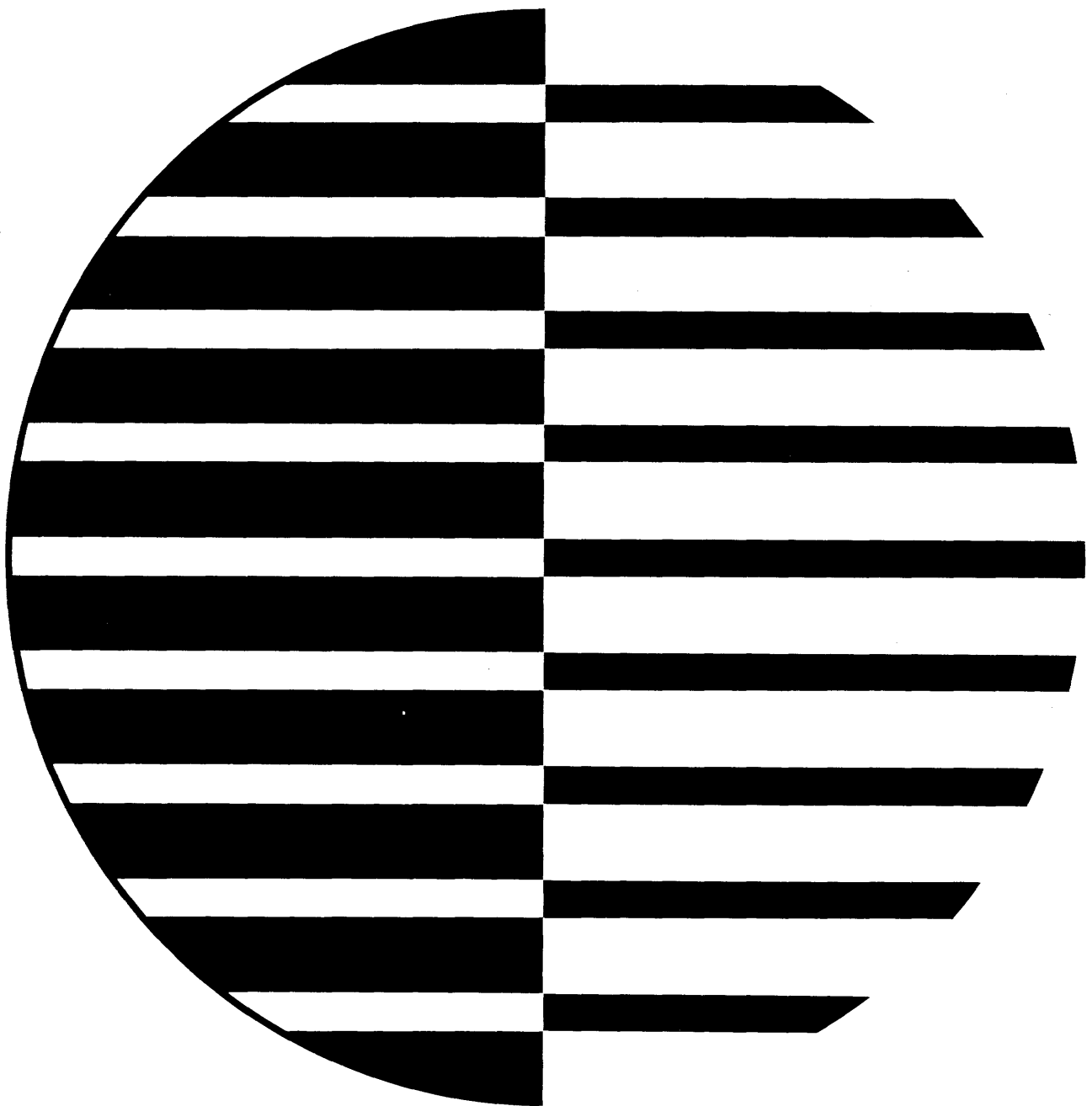


**CONTROL DATA® 6000 SERIES COMPUTER SYSTEMS**  
**6675 Data Set Controller Reference Manual**





## CONTENTS

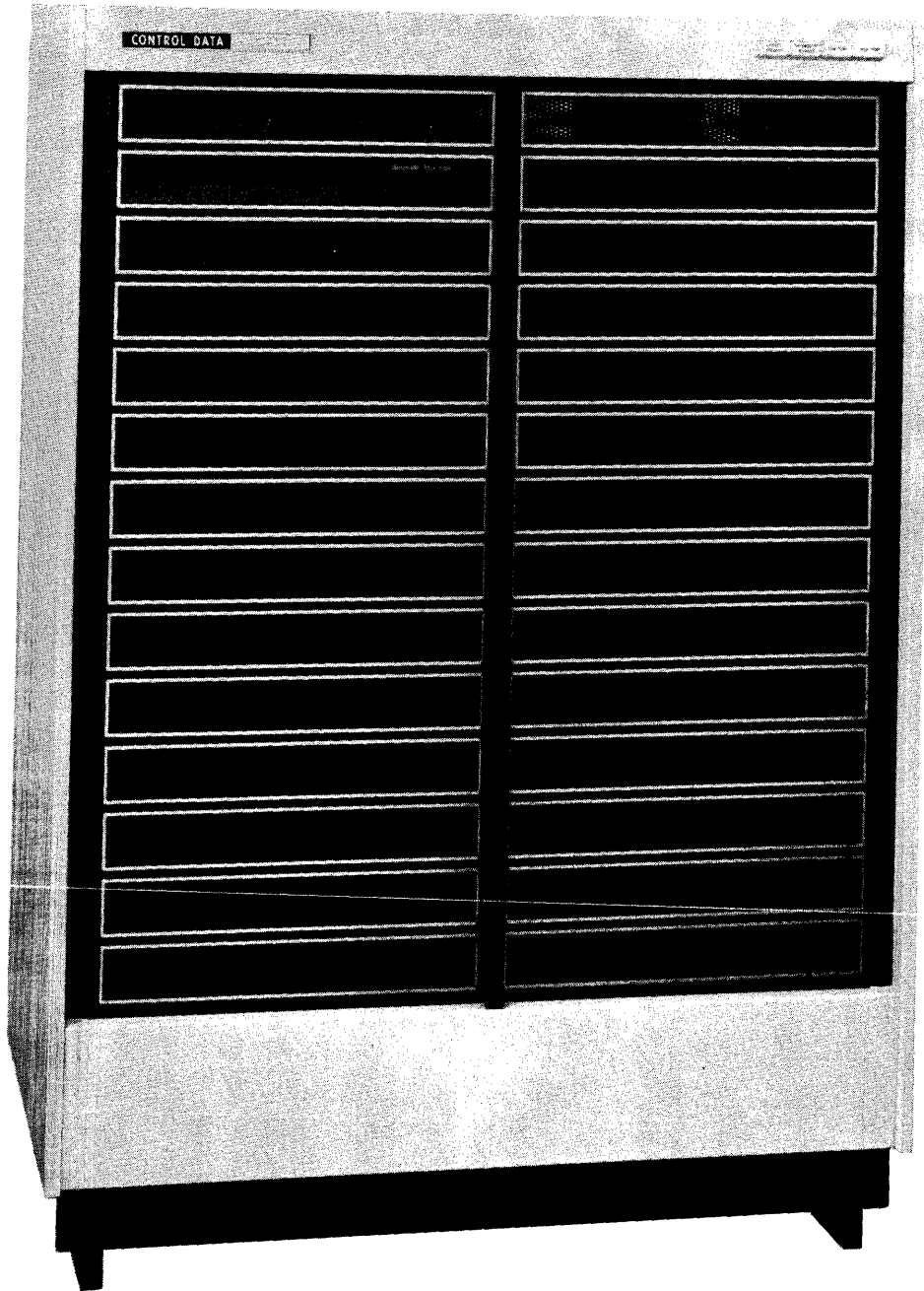
<u>Section</u>	<u>Title</u>	<u>Page</u>	<u>Section</u>	<u>Title</u>	<u>Page</u>
1	Introduction	1-1	3	Manual Controls	3-1
	Cross Reference	1-4		Initial Conditions for Operation	3-2
2	Description	2-1		Programming	3-2
	Physical Description	2-1		Modes of Operation	3-9
	Functional Description	2-3		Programming Considerations	3-14
3	Operation and Programming	3-1			

## FIGURES

<u>Figure</u>	<u>Title</u>	<u>Page</u>	<u>Figure</u>	<u>Title</u>	<u>Page</u>
1-1	Transmission Networks	1-2	3-3	Status-All Word	3-8
2-1	6675 Cabinet (Maximum Configuration)	2-2	3-4	Transmit Mode	3-9
2-2	6675 Block Diagram	2-4	3-5	Multiplexer Cycle	3-10
3-1	6675 Control Panels	3-2	3-6	Receive Mode	3-12
3-2	DSC 0 Status Word	3-7			

## TABLES

<u>Table</u>	<u>Title</u>	<u>Page</u>	<u>Table</u>	<u>Title</u>	<u>Page</u>
3-1	DSC and Multiplexer Control Panels	3-1	3-4	External Function Codes	3-6
3-2	6675↔Computer Communication Signals	3-4	3-5	Status Responses	3-7
3-3	6675↔Data Set Communication Signals	3-5	3-6	Status-All Responses	3-9



# 6675 DATA SET CONTROLLER

# 1. INTRODUCTION

The CONTROL DATA\* 6675 Data Set Controller interfaces Control Data 6000 Series Computers with leased telephone transmission lines. This enables data transfer between a central computer complex and a remote computer system.

The Control Data 6675 consists of a Data Channel Adaptor (DCA), a multiplexer, and up to four data set controllers (DSC's). The 6675 cabinet also provides mounting for DATA PHONE data sets\*\*. Each installation determines how many DSC's and data sets are used as well as the type of data set (201-B, 301-B, X303A10) used. Communication over leased line requires two AT&T data sets; one data set terminates each end of the transmission line.

Figure 1-1 shows a 6675 equipped with four DSC's. The multiplexer assigns individual DSC's to transmit or receive. Each DSC converts 12-bit parallel words from the computer (via the DCA) to serial bits for the data set. The data set transmits serial data received from the DSC over a leased transmission line. The DSC at the receiving end of the line converts this serial data into 12-bit parallel words for computer input.

Each DSC includes a cyclic code generator and error detection circuit that enables detection of error bursts of 12 bits or less. An error burst is any pattern of errors whose length is the number of bits between the first and last errors of a transmission.

---

\*Registered trademark of Control Data Corporation.

\*\*Registered trademark of American Telephone and Telegraph Company and Bell System.

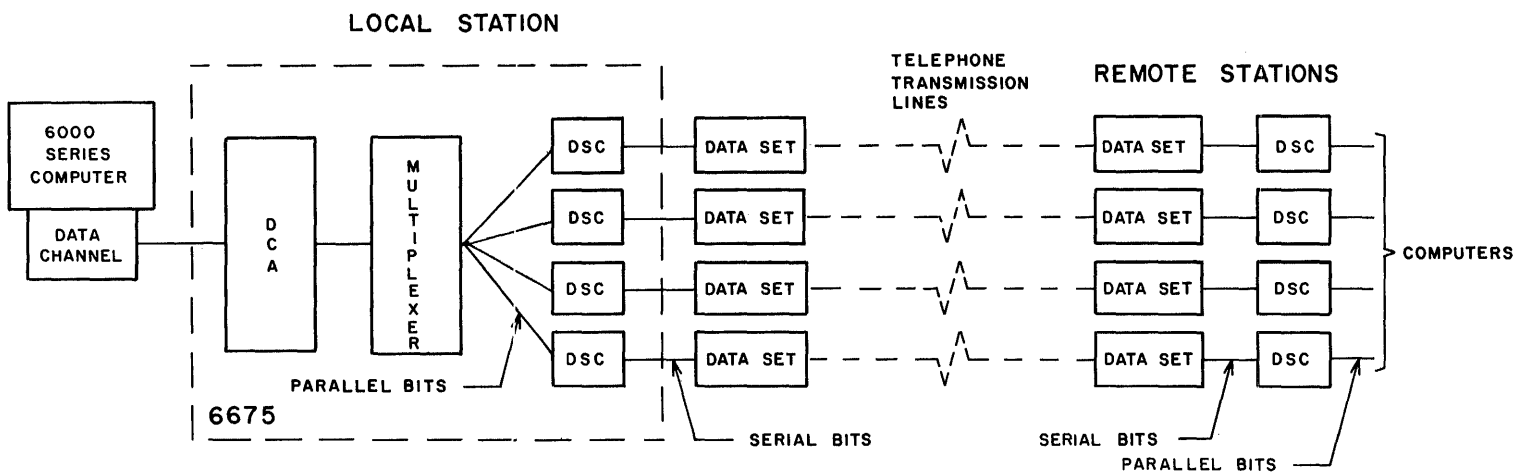


Figure 1-1. Transmission Networks

The transmitting DSC generates a cyclic code with each data block transmitted. A DSC may receive an interrupt word if it is not transmitting or receiving data. The interrupt word sets a status bit in the DSC. The equipment contained in the 6675 is described below:

The QSE 649 Data Channel Adaptor (DCA) is a high-speed interface between the 6675 and a 6000 Series Peripheral Processor data channel. Publication number CDC 38700100 describes the Data Channel Adaptor.

The multiplexer assigns each DSC to transmit or receive as directed by the computer and permits up to four transmit or receive operations to occur simultaneously. The exact number of high and low speed lines per multiplexer which can be serviced by a Peripheral Processor depends on the amount of processing required for the input data and on the manner in which this is handled by the operating system. The number of lines can be determined after a careful analysis of system data flow.

The Data Set Controller (DSC) converts parallel data received from the computer to serial data for the data set and vice versa. An American Telephone and Telegraph (AT&T) Data Set connects to each DSC and transmission line to receive and transmit serial data on the long distance communication facilities. The data sets provide synchronous clock pulses to bit-time the DSC and to modulate or demodulate the transmission line carrier. The data set consists of a signal controlled transceiver with an internal oscillator that produces synchronous clock pulses. The data set clocks out serial data from the DSC to phase modulate the carrier frequency during transmission. The data set demodulates incoming line signals to recover control signals and data.

*DATA SET	TRANSMISSION (KILOBITS/SECOND)	LEASED LINE OPERATION
201-A	2.0	Yes
201-B	2.4	Yes
301-B	40.8	Yes
X303A10	19.2	Yes
X303A20	50.0	Yes
X303A30	230.4	Yes

\*When a Data Set is used with a 6675, the remote data set controller must be a Control Data 3275, 63275, 8529, or 68529 to utilize the cyclic code error-detection capability.

## CROSS REFERENCE

This manual describes programming codes and operating characteristics of the 6675 and assumes, on the part of the reader, a familiarity with both 6000 Series computer systems and Bell System DATA PHONE\* Data Sets.

### Additional Reference Material

<u>Equipment</u>	<u>Description</u>	<u>Publication Number</u>
6000 Computer Systems	Reference Manual (programming information)	60100000
6675 Data Set Controller	Customer Engineering Manual (hardware information)	38700400
6677 Data Set Controller	Equation File and Wire Tabs (hardware information)	38710000

---

\*Registered trademark of American Telephone and Telegraph Company.



## 2. DESCRIPTION

### PHYSICAL DESCRIPTION

The Control Data 6675 Data Set Controller uses a standard Control Data B-type cabinet (frontispiece) which holds a power supply, the multiplexer, the data channel adaptor, a data set and up to two DSC's. If the maximum potential of the 6675 is utilized, it will require a second cabinet holding two additional DSC's and three data sets.

The number of DSC's in each 6675 configuration is identified by a designating letter listed below:

6675-A	includes one DSC
6675-B	includes two DSC's
6675-C	includes three DSC's
6675-D	includes four DSC's

The DSC's and multiplexer are completely solid state and use plug-in printed circuit logic cards for reliability and maintenance ease. Figure 2-1 illustrates chassis arrangement for a four DSC configuration. The power supply is located at the back of the cabinet and swings out for inspection. The cabinet cooling system, control wiring and temperature monitoring, and the power supply are discussed in Control Data peripheral Controller Cabinets Customer Engineering Manual, publication number 60097300.

The 6675 cabinet may be installed in any area that meets computer requirements. The 6675 offers no environmental restrictions other than normal cleanliness, air circulation, and accessibility.

## Physical Characteristics

The physical characteristics of the 6675 Data Set Controller are as follows:

### Dimensions

Height 56 7/8 inches

Width 42 inches

Depth 20 1/2 inches

Weight 600 pounds

Power Requirements 208 vac, 400 cycle,  
three phase, 1.0 amp per phase

115 vac, 60 cycle,  
single phase, 2.5 amp

Ambient Operating Temperature 40° to 110° F

Cooling 2746 BTU/hr

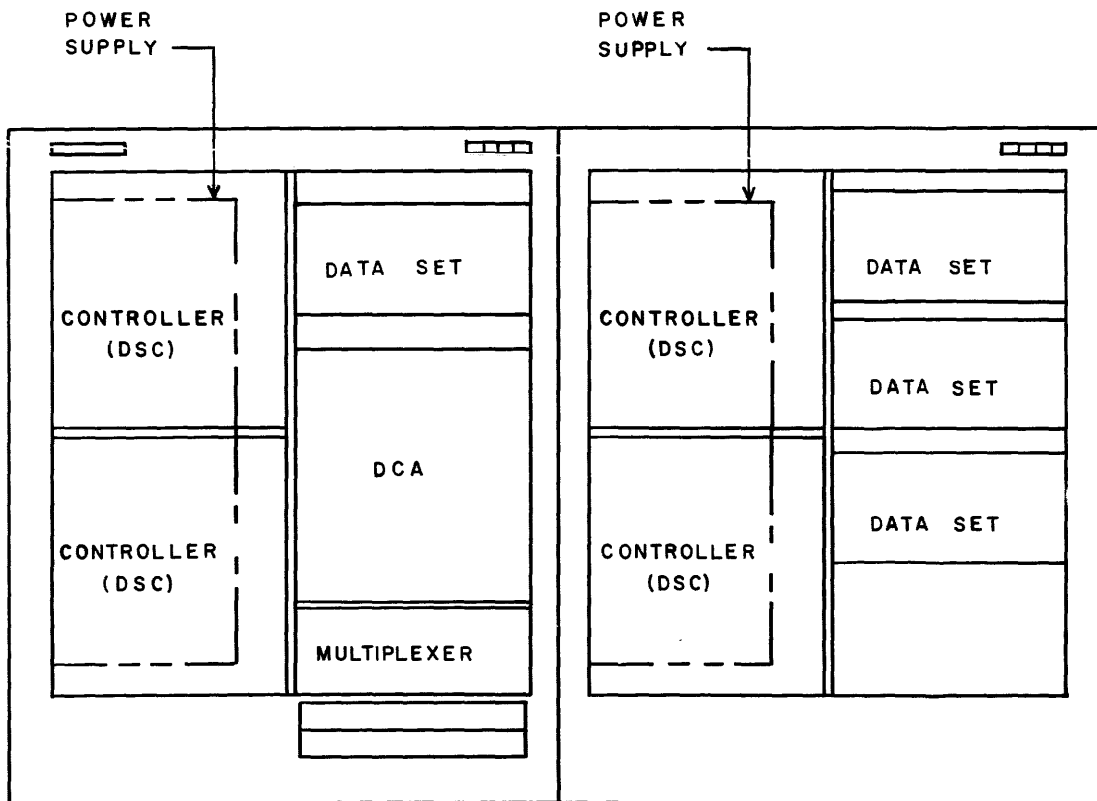


Figure 2-1. 6675 Cabinet (Maximum Configuration)

## FUNCTIONAL DESCRIPTION

Two stations, the local and the remote, constitute a communication network (Figure 1-1). The local station includes the 6000 Series computer and the 6675 Data Set Controller; the remote station contains the other computer and peripheral equipment. With the exception of the computer and associated equipment, each station contains compatible DSC's and identical data sets. A leased transmission line connects the stations through the terminating data sets.

Each DSC operates in half-duplex; that is, data is exchanged in only one direction at a time. When one DSC is in the Transmit mode, the other must be in the Receive mode; to exchange data in the opposite direction, both DSC's must reverse modes.

Although data is transferred in half-duplex, control signals and response indications utilize the full-duplex capability of the data set. Both the Response and the Control signals are automatic functions.

During transmission from the local station to the remote station, the local station is in the Transmit mode and the remote station is in the Receive mode. With both stations active, data at the local station is exchanged in the following manner (Figure 2-2):

- 1) The local computer selects a local DSC (0-3) for the Transmit mode.
- 2) The DSC transmits a sync word.
- 3) The computer selects the DSC and sends it a data word.
- 4) The remote station acknowledges the sync word with a Response.
- 5) The DSC disassembles the first parallel data word received from the computer and transmits it serially, highest order bit first.
- 6) By sampling the status-all bits, the computer detects when a specific DSC (0-3) requires another data word for transmission (or contains a complete data word received from the remote station).
- 7) When the complete data block is transmitted, the DSC transmits the cyclic code word.

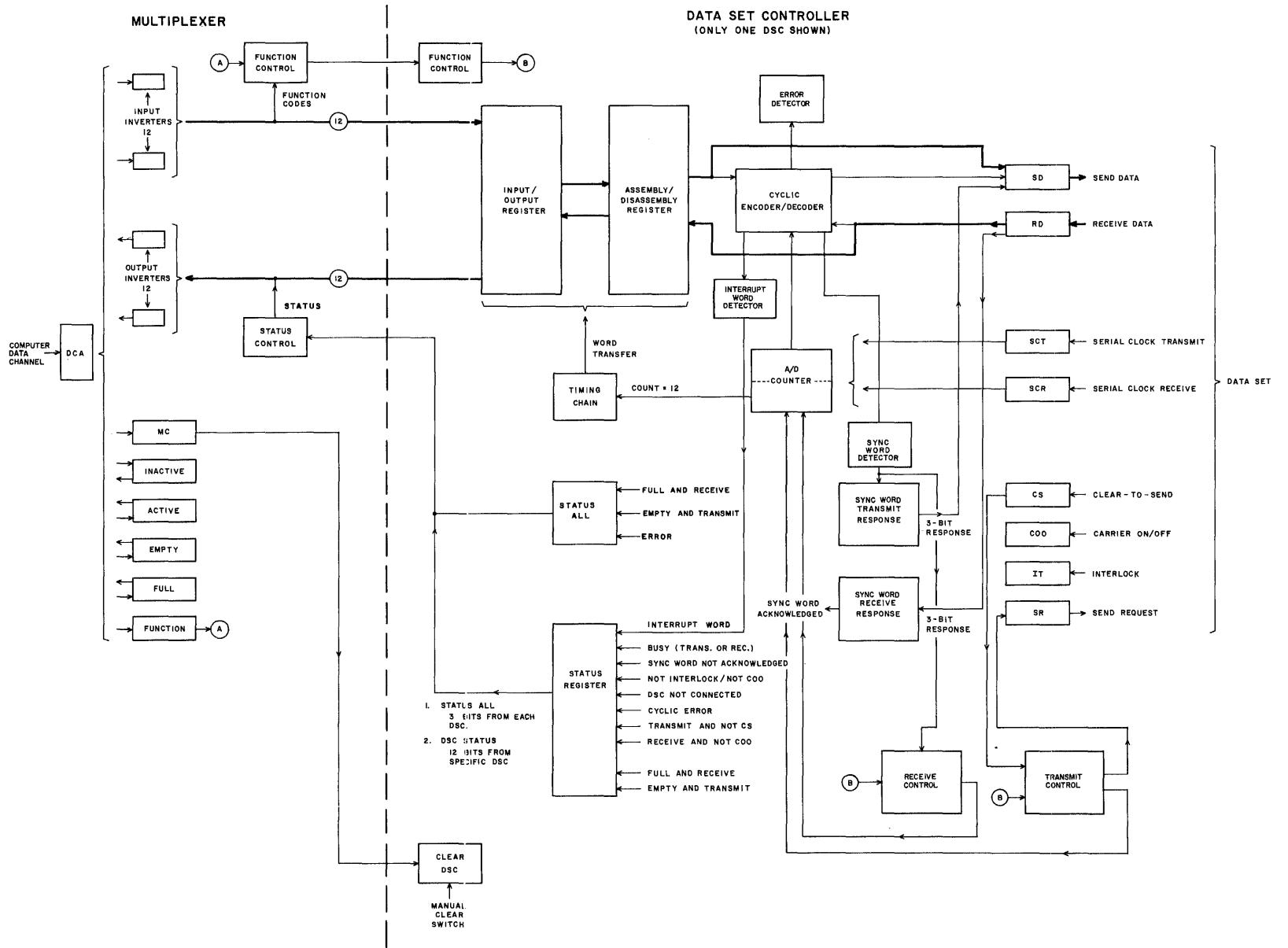


Figure 2-2. 6675 Block Diagram

With both stations active, data is received from the remote station in the following manner:

- 1) The local computer selects a DSC for Receive mode.
- 2) The DSC receives the sync word and returns a response.
- 3) Each data word received is assembled into a 12-bit parallel word.
- 4) The computer samples status-all, and inputs the data word.
- 5) When the complete data block is received, the DSC checks the received cyclic code word against one it has generated. If they do not agree, the DSC sets the cyclic code-error status bit.

The method of communication presented above is the basic sequence, and many elaborations are possible. Section 3, Operation and Programming, describes these variations and discusses the signals that control communication between the computer, the multiplexer, the DSC, and the data sets. Section 3 also describes manual controls and indicators.

### 3. OPERATION AND PROGRAMMING

#### MANUAL CONTROLS

The Control Data 6675 Data Set Controller operates entirely under computer control in normal operation. Before operation, however, the operator must set the initial conditions (described on page 3-2).

Figure 3-1 shows the control panel on the multiplexer and the DSC's; Table 3-1 lists the controls or indicators on the control panels.

TABLE 3-1. DSC AND MULTIPLEXER CONTROL PANELS

DSC		
CONTROLS	DESCRIPTION	FUNCTION
TX/REC	Indicator	The TX indicator lights when the DSC is transmitting; the REC indicator lights when the DSC receives information.
ERROR	Indicator	Momentarily lights to indicate that the cyclic decoder has detected an error.
TRANSMIT TEST OFF, 1, 2, 3, 4	Rotary Switch	Simulates the Transmit mode on positions 1-4. Each word is as follows: Position 1 000 000 000 000 Position 2 111 111 111 111 Position 3 000 001 101 101 Position 4 111 110 010 010 (Highest order bit transmitted first)

TABLE 3-1. (Cont'd)

DSC		
CONTROLS	DESCRIPTION	FUNCTION
RECEIVE TEST OFF-REC-INT	Rotary Switch	REC position simulates the Receive mode for maintenance purposes when another DSC transmits one-word data blocks. DSC searches for the sync word and checks for errors. INT position simulates interrupt for maintenance; the Interrupt FF sets if the proper code word is received from a remote DSC.
CLEAR	Momentary Switch	Clears the DSC as a preface to new commands for maintenance purposes.
MULTIPLEXER		
S <sup>2</sup> , S <sup>1</sup> , S <sup>0</sup> ,	Toggle Switches	The three toggle switches on the multiplexer labeled S <sup>2</sup> , S <sup>1</sup> , and S <sup>0</sup> , assign the 6675 an equipment number on the Data Channel. This allows the octal digit represented by "S" in the function code (SXXX) to be assigned any value (0-7).

## INITIAL CONDITIONS FOR OPERATION

The operator establishes the operating conditions by adjusting switches (Table 3-1).

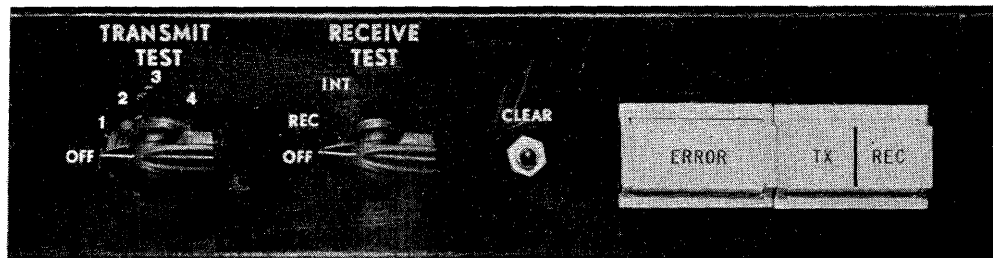
- 1) Check cabinet circuit breaker to determine if power is On.
- 2) Check Transmit and Receive Test switches. For normal operation they must be in Off position. In the Test mode, position Receive Test switch on the DSC at one station to REC or INT and position the Transmit Test switch on the DSC at the other station to position 1, 2, 3, or 4.
- 3) Always clear the DSC after power is applied.

## PROGRAMMING

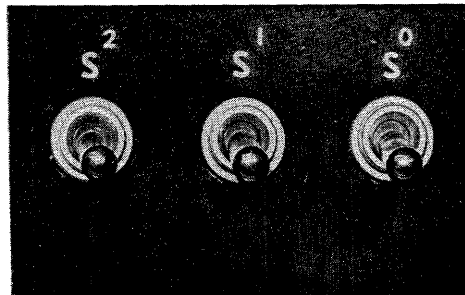
All data transfer operations via the 6675 Data Set Controller are controlled by the local computer. Receive and Transmit operations from a specific DSC are initiated by function codes from the computer. The status-all word from the multiplexer enables the computer to determine when a DSC requires service. Operation of a DSC is monitored by requesting a status word from the respective DSC.

## Control Signals

Communication signals between the 6675 Data Set Controller and the computer or between the 6675 Data Set Controller and the data set are listed in Tables 3-2 and 3-3 (Figure 2-2). Understanding the function of these signals clarifies the purpose of certain function or status codes. Communication signals are not transferred over data lines.



DSC CONTROL PANEL



MULTIPLEXER CONTROL PANEL

Figure 3-1. 6675 Control Panel



TABLE 3-2. 6675↔COMPUTER COMMUNICATION SIGNALS (Figure 2-2)

SIGNAL	DESCRIPTION
External Master Clear	A static "1" appears on the line whenever the 6600 dead-start panel is used to start the system.
Function	A static "1" signal is produced on the line when an external function code is present on the data lines for examination and translation by the 6675. An Inactive signal from the 6675 removes the static "1" signal.
Inactive (from 6675)	A static "1" signal is produced on the line as a response to an EXF request if the 6675 is selected.
Active (from 6675)	A static "1" signal is produced on the line as a response to an Active (from DCA) if the 6675 is selected. This is cleared by an Inactive from the DCA.
Active (from DCA)	A static "1" signal is produced by the data channel while it is activated.
Inactive (from DCA)	A static "1" signal from the DCA indicates that the computer has deactivated the data channel.
Full (from DCA)	A static "1" signal accompanies each word of output information. Signal indicates output data present on lines. The signal is turned off by an Empty from the 6675.
Full (from 6675)	A static "1" signal is produced by 6675 when a data or status word is available. The signal is turned off by an Empty from the DCA.
Empty (from DCA)	A static "1" signal indicates that the DCA has accepted the input word from the 6675. The signal is turned off by dropping the Full in the 6675.
Empty (from 6675)	A static "1" signal indicates that the 6675 has accepted the output word from the DCA. This signal is turned off by dropping the Full signal in the DCA.

TABLE 3-3. 6675 ↔ DATA SET COMMUNICATION SIGNALS (Figure 2-2)

SIGNAL	DESCRIPTION
Serial Clock Transmit (SCT)	The SCT circuit furnishes the master clock timing signals for the DSC in the Transmit mode. The data set SCT signal is a square wave (40.8 KC - 301-B, 2.4 KC - 201-B).
Send Data (SD)	The SD line carries the serial data from the DSC to the data set where the information is sampled during the negative transition of the SCT square wave.
Serial Clock Receive (SCR)	Similar to the SCT signal, the SCR signal clocks the received data to the DSC. SCR synchronization depends upon the SCT signals at the transmitting set.
Receive Data (RD)	RD consists of incoming serial data which is sent to the DSC and sampled during the negative transition of the SCR square wave.
Interlock (IT)	An On signal to the DSC indicates that the data set is On, that it can transmit data, and that it is not in a test condition.
Carrier On-Off (COO)	An On signal to the DSC indicates that the line carrier is present at the data set.
Send Request (SR)	The DSC delivers an On signal to the data set when it is ready to transmit data. The data set should respond with a CS signal.
Clear-to-Send (CS)	When the SR circuit is turned On by the DSC, the CS circuit should be switched On by the data set indicating that it will accept data. When the SR circuit is again turned Off, the CS circuit is switched off.

## Function Codes

The 6675 translates and interprets the external function (EXF) codes listed in Table 3-4. The function codes represent commands or requests from the computer. The EXF code format is as follows:

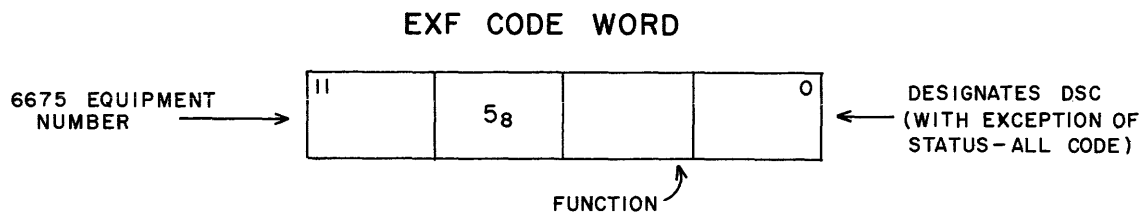


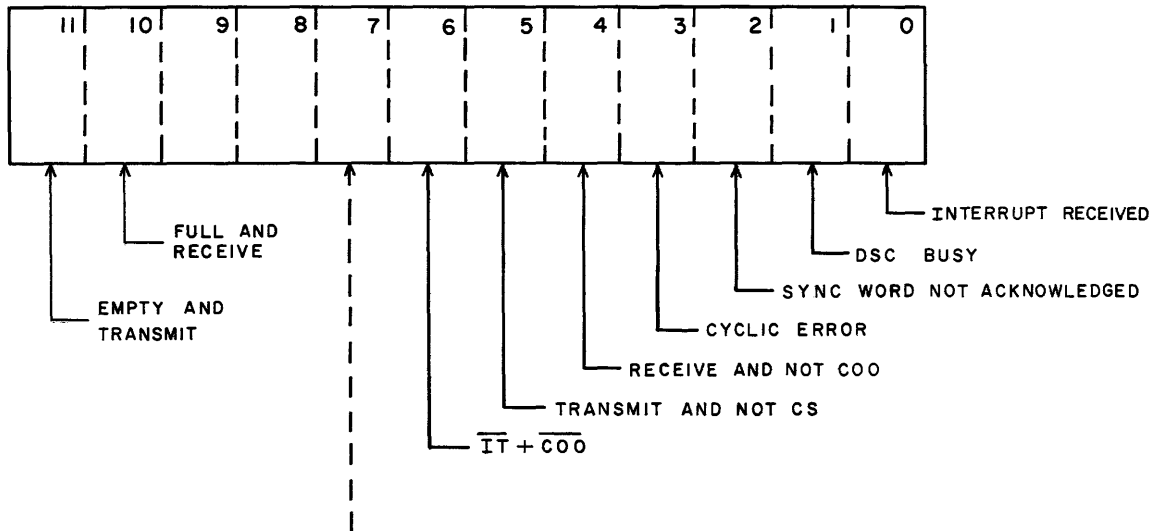
TABLE 3-4. EXTERNAL FUNCTION CODES

DEFINITION	CODE	NOTES
Request Status-all	S504	Enables three status-all bits from each of the four DSC's.
Request Status	S51N	Enables a status word (12 bits) from DSC "N". "N" represents the number assigned to the selected DSC.
Select	S52N	Selects DSC "N"
Clear	S53N	Clears DSC "N"
Select Transmit	S54N	Selects DSC "N" for data transmission
Select Receive	S55N	Selects DSC "N" to receive data from the data set for transfer to the computer.
Clear Interrupt Word Received Status Bit	S56N	Clears Interrupt Word Received FF and status bit 2 <sup>0</sup> in controller "N" (interrupt word = 7622)

\*S = Equipment number

### Status Response Word

The status response indicates the state or condition of a specific DSC. The computer (S51N EXF code) must request the status word and designate the respective DSC (Figure 3-2 and Table 3-5). The 12 lines that carry status information also convey parallel data to the computer.



THIS STATUS BIT IS ADDED BY MULTIPLEXER.  
 BIT SETS WHEN DSC "N" IS SELECTED BUT  
 "N" IS PHYSICALLY DISCONNECTED

Figure 3-2. DSC 0 Status Word

TABLE 3-5. STATUS RESPONSES

DEFINITION	CODE	NOTES
Interrupt Word Received	0001	Indicates that an interrupt word was received from the remote station and that this station wants attention. The interrupt word is received when the 6675 is not transmitting or receiving.
Control Busy	0002	Indicates that the controller is busy. The controller may be selected and waiting for a sync word, transmitting, or receiving (data or code word).
Sync Word Sent and Not Acknowledged	0004*	Indicates that the controller has sent out a sync word but has not received a response from the remote station.
Cyclic Code	0010	Indicates that the code word received from the remote station does not compare with the code generated by the cyclic decoder in the DSC.
Select for Receive and $\overline{COO}$	0020	Indicates an equipment failure. This occurs when the DSC is selected to receive and the line carrier signal is not present at the data set ( $\overline{COO}$ ).

\*Data set controller at remote station must include sync word acknowledge circuit to enable status bit 4.

TABLE 3-5. (Cont'd)

DEFINITION	CODE	NOTES
Select for Transmit and $\overline{CS}$	0040	Indicates equipment failure. This occurs when the DSC is selected to transmit and the Clear-to-Send signal is not present at the data set ( $\overline{CS}$ ).
$\overline{IT}$ or $\overline{COO}$	0100	Indicates equipment failure. $\overline{COO}$ indicates the line-carrier signal is lost; $\overline{IT}$ indicates a malfunction in the local data set.
Controller Not Connected or in Test Mode	0200	Indicates that the equipment referenced is not physically connected, or in the Test mode.
Full and Receive	2000	Indicates that the 6675 is selected for receive and I/O register is full.
Empty and Transmit	4000	Indicates that the 6675 is selected for transmit and the I/O register is empty.

### Status-all Response Word

The status-all word (three bits from each DSC) is requested before each multiplexer cycle (S504 EXF code). The status-all word is transferred over the 12 lines that transfer data to the computer. Figure 3-3 shows the status-all word.

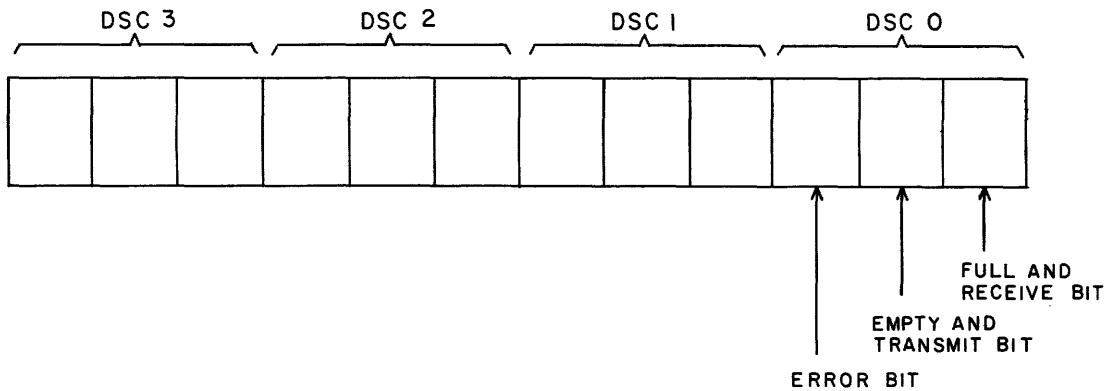


Figure 3-3. Status-all Word

TABLE 3-6. STATUS-ALL RESPONSES

DESCRIPTION	CODE	NOTES
Full and Receive	XXX1	Selected for receive and I/O register full
Empty and Transmit	XXX2	Selected for transmit and I/O register empty
Error	XXX4	Any of the following error conditions a) Selected for receive and not COO b) Selected for transmit and not CS c) Cyclic code error

The above status-all responses are for DSC 0

## MODES OF OPERATION

### Transmit Mode

The following 6675 signal interchanges occur when the local computer is transmitting to a remote station. Figure 3-4 illustrates signal paths.

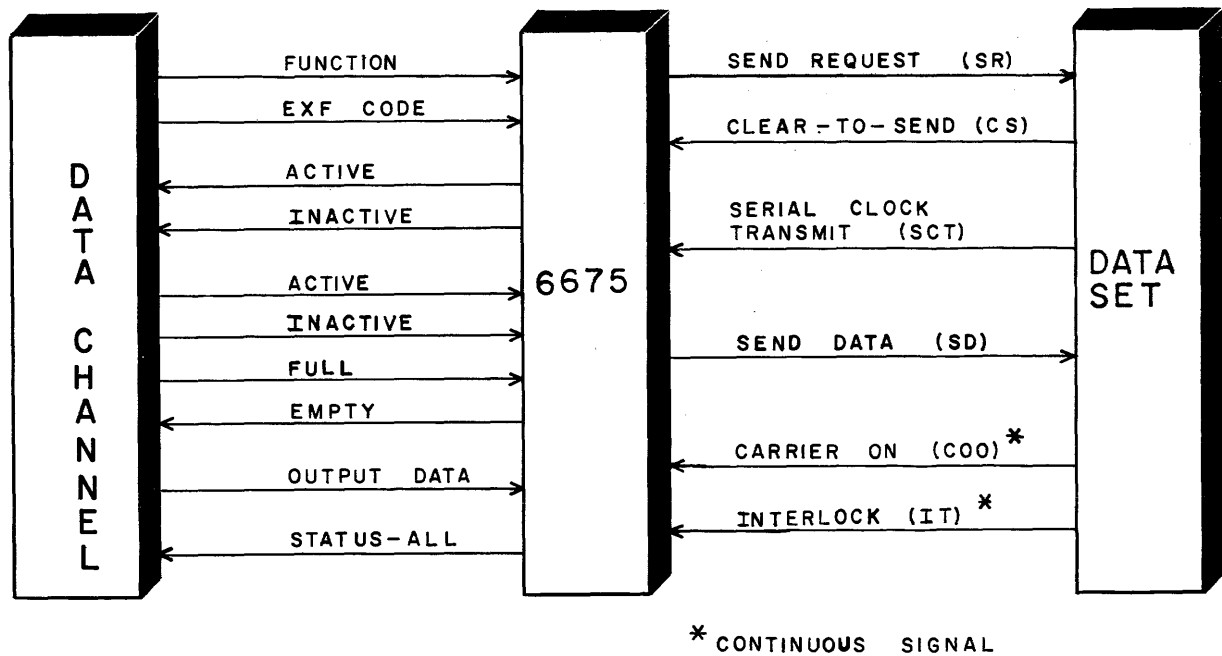


Figure 3-4. Transmit Mode

## Transmit Mode Programming Example

### Initial Conditions

The 6675 is operational but no transmit or receive operation is in process. Although the multiplexer may service four DSC's the operation of only one DSC is described below. Additional DSC's would operate in an identical manner. The following sequence assumes that the COO and IT Data Set signal are present and all units are cleared.

### Multiplexer

- 1) Function and EXF codes select transmit DSC 0.
- 2) Multiplexer selects DSC 0 for transmit.
  - a) This enables the Empty and Transmit status bit in DSC 0 portion of status-all word (Figure 3-5).
  - b) DSC 0 sends out sync word to data set (approximately 300  $\mu$ sec to send out complete word).
- 3) Multiplexer may select the remaining three DSC's to transmit or receive if requested by EXF code.
- 4) The computer requests status-all. Since the Input/Output (I/O) register of DSC 0 is cleared, the Empty and Transmit status-all bit for DSC 0 is a "1".
- 5) Status-all word is sent to the computer.
- 6) The computer recognizes Empty and Transmit status of DSC 0.
- 7) On next multiplexer cycle, computer selects DSC 0 (select code S520).
- 8) Computer outputs 12-bit data word to DSC 0. DSC 0 accepts word and stores it in the I/O register. Word is transferred to Assembly/Disassembly (A/D) register and transmitted upon completion of sync word transmission.
- 9) Computer now services remaining DSC's if they are used and require service.
- 10) The computer continues to sample the status-all word until it detects another "1" (indicating that one of the DSC's requires service).

## Controller DSC 0

- 1) When the 12-bit sync word is transmitted, the 12th serial bit enables an I/O register →A/D register transfer. This transfers the first data word to the A/D register.
- 2) Step 1 (Figure 3-5) transfers the first data word to the A/D register. This enables the following:
  - a) With the I/O register empty, the Empty and Transmit status-all bit again becomes a "1" and DSC 0 can accept another word.
  - b) The data word in the A/D register is sent to the cyclic encoder and transmitted bit by bit. It requires approximately 300 μsec to transmit each 12-bit word.

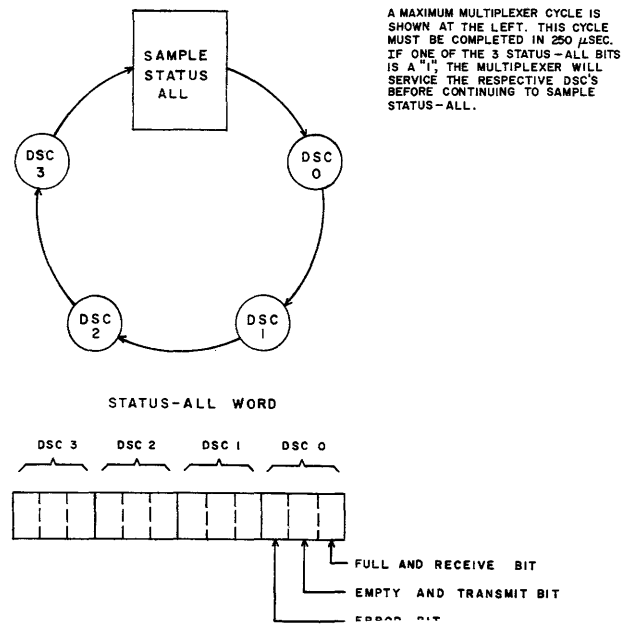


Figure 3-5. Multiplexer Cycle

- 3) When the 12th data bit is transmitted, an I/O→A/D transfer brings the next data word to the A/D register. The transmit operation continues in this manner for the entire data block.
- 4) During the serial transfer of the last word in the data block the last word is in the A/D register, but the I/O register does not contain a new data word. Transferring the 12th bit of the last data word from A/D, enables the DSC to gate out the cyclic code. Upon completion of the code transmission, the transmit function terminates.



- 5) After transmission of the cyclic code word, a sync word is not transmitted for 300  $\mu$ sec. This delay allows the receiving DSC to recognize the end of the data block and check the code word.

## Receive Mode

The following 6675 signals are interchanged between the Data Channel, the 6675, and a data set during a receive operation. Data is transferred from a remote station to the local computer. Refer to Figure 3-6 for a signal flow diagram.

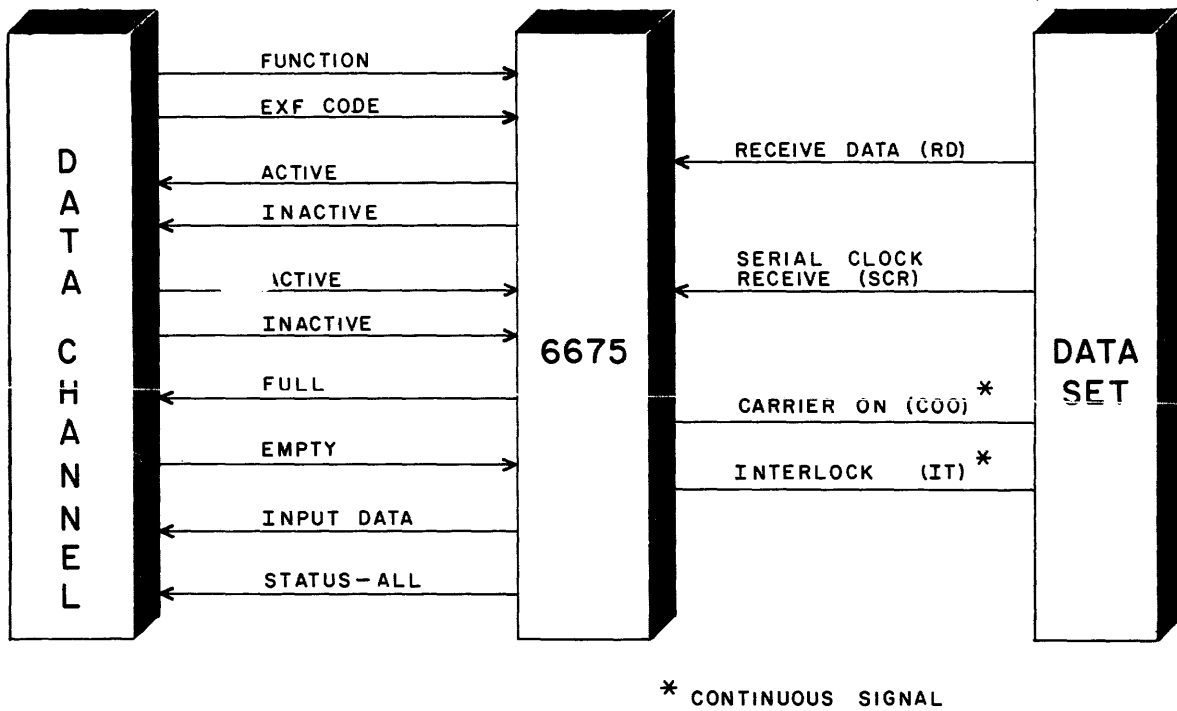


Figure 3-6. Receive Mode

## Receive Mode Programming Example

### Initial Conditions

The 6675 is operational but no transmit or receive operation is in process. The operation of only one DSC is described; the operation of the other three DSC's is identical. The following sequence assumes that the COO and SCR data set signals are present and all units are cleared.

### Multiplexer

- 1) Function and EXF codes select DSC 0 to receive.
- 2) Multiplexer selects DSC 0 to receive.
- 3) When DSC 0 detects a sync word, the word is recognized by the cyclic encoder/decoder circuit. The 12th bit of the sync word enables a gate which allows DSC 0 to receive data and enables a 3-bit response to the transmitting data set. The 3-bit response clears the Sync Word Not Acknowledged bit at the transmitting DSC. The 12-bit sync word is not loaded into the A/D register.
- 4) The first word of the data block follows the sync word. The A/D register assembles this data word; the 12th bit of this word enables an A/D→I/O register transfer. Data words are received and assembled at a rate of 300 usec per word.
- 5) When the I/O register is loaded, the Full and Receive status bit in the DSC 0 portion of the status-all word sets.
- 6) The next time the computer requests status-all, it detects the "1" (Full and Receive) in the DSC 0 status-all word.
- 7) The computer recognizes this "1" and selects DSC 0 (select code S520).
- 8) The computer inputs the 12-bit data word from DSC 0.
- 9) Thereupon, the computer services the remaining DSC's if they require service.
- 10) The computer continues to sample status-all until it detects another "1" in the status-all word.
- 11) When the 12th bit of the second data word is loaded into the A/D register, the A/D register transfers this word to the I/O register. This sets the Full and Receive status-all bit and the process is repeated.

### Controller DSC 0

Controller 0 continues to receive and assemble data words at 300 usec/word until the computer has accepted the entire data block. Words in the I/O register must be transferred to the computer or the next A/D → I/O transfer will terminate the receive operation.

The computer must know the length of the data block transferred from the remote station. For example, assume that the data block consists of 100 words; the computer will then input exactly 100 words. If the computer does more inputs, the last word (the code word) and the "idle pattern" that follow are accepted as data.

The code word always follows the last word in the data block. When the 12th bit of the code word is loaded into the A/D register, the last data word has been transferred to the computer. The 12th bit of the next word ("idle pattern" transmission) sets the cyclic-error status bit if the code word in the I/O register does not compare with the output of the cyclic encoder/decoder. Setting the cyclic-error status bit also sets the status-all error bit.

To terminate the receive operation after the last word is accepted by the computer, the data channel must be deactivated or the DSC deselected. The DSC is deselected by one of the following:

- 1) Selecting another DSC
- 2) Requesting status-all
- 3) Requesting status of the DSC

## **PROGRAMMING CONSIDERATIONS**

### **Interrupt**

An interrupt word from a remote computer indicates that the remote station requires attention. The local computer checks the 6675 interrupt status bit and selects the associated DSC to receive (if so programmed).

### **Error Detection**

The DSC automatically checks for errors when receiving data blocks. A circuit in the DSC, the Cyclic Encoder/Decoder circuit, signals the computer if an error is detected. Both the transmitting and the receiving DSC have a Cyclic Encoder/Decoder circuit. This circuit generates a code word which is transmitted after the last word of data block. The receiving DSC compares the code word received from the remote station with the code word generated at the receiving DSC; if they are not identical, the data block is in error.

A scheme for encoding and decoding blocks of data by generating a 12-bit cyclic code is used. This provides the following error detection capabilities:

- 1) Any odd number of errors
- 2) All error bursts of 12 bits or less
- 3) 99.5 percent of all error bursts of 13 bits
- 4) 99.98 percent of all error bursts of 14 bits or greater.

An error burst is any pattern of errors whose length is the number of bits between the first and last errors of a transmission. The cyclic code is one of the most effective and economical error detection techniques for serial transmission presently known.

A maximum line efficiency of 99.4 percent can be achieved when the length of the data block is 341 12-bit words.

## **Testing**

Data transmission and reception may be checked without computer control through a control panel on the DSC. The control panel generates a data block consisting of a sync word, a 12-bit word, and a cyclic word. Checking data through the DSC saves valuable computer time.

## **Response Circuit**

The DSC Response circuit enables the computer to check whether the remote station recognizes the sync word. The receiving DSC automatically returns a response code to the transmitting DSC when the receiving DSC detects a sync word. This allows the transmitting computer to determine if communication has been established. Response code transmission is simultaneous with data reception.

**COMMENT SHEET**

6675 DATA SET CONTROLLER

Reference Manual

Publication Number 38701400

**FROM:** NAME: \_\_\_\_\_  
BUSINESS  
ADDRESS: \_\_\_\_\_

THESE COMMENTS REFER TO REV. \_\_\_\_\_ OF THIS MANUAL.

**COMMENTS:** (DESCRIBE ERRORS, SUGGESTED ADDITIONS OR  
DELETIONS, ETC. INCLUDE PAGE NUMBER.)

CUT ALONG LINE

FORM CA 231 REV. 1 - 66

**NO POSTAGE STAMP NECESSARY IF MAILED IN U.S.A.**

FOLD ON DOTTED LINES AND STAPLE

STAPLE

STAPLE

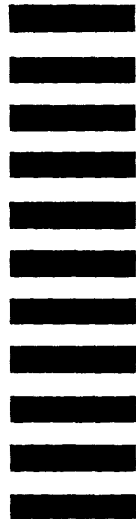
FOLD

FOLD

FIRST CLASS  
 PERMIT NO. 8241  
 MINNEAPOLIS, MINN.

**BUSINESS REPLY MAIL**  
 NO POSTAGE STAMP NECESSARY IF MAILED IN U.S.A.

POSTAGE WILL BE PAID BY  
**CONTROL DATA CORPORATION**  
**8100 34TH AVENUE SOUTH**  
**MINNEAPOLIS, MINNESOTA 55440**  
 Attention: Publications, Systems Division  
 Plant 2



CUT ALONG LINE

FOLD

FOLD

STAPLE

From 8231 manual

0000	chan no.	s	5	0	xxxx	i	equip code	dddd	pppp	t
12	12	3	3	2	4	1	11	4	4	4

- s** 3-bit equipment number of the 6673/74 corresponding to the settings of the three switches on the multiplexer control panel of the 6673/74 DSC.
- xxxx** A bit is set in each position (right to left) for each line (0-3) connected to the 6673, 74.
- i** Interlock bit.
- equip. code** Equipment code of DSC (2303<sub>8</sub>)
- dddd** Punch output option. Bit present indicates that all punching should be done at central site. The bit is meaningful only if corresponding p bit is clear. If both p and d bits are clear, punch output is ignored.
- pppp** Punch availability. Bit present indicates that the terminal has a punch.
- t** Starting terminal identification. For example, if A (01<sub>8</sub>) is entered, the terminal identification will be A, B, C and D. If E (05<sub>8</sub>) is entered, the identification will be E, F, G and H. Any letter from A-O is valid.

**CONTROL DATA SALES OFFICES**

ALAMOGORDO, NEW MEXICO  
ALBUQUERQUE, NEW MEXICO  
ATLANTA, GEORGIA  
AUSTIN, TEXAS  
BILLINGS, MONTANA  
BIRMINGHAM, ALABAMA  
BOSTON, MASSACHUSETTS  
BOULDER, COLORADO  
CAPE CANAVERAL, FLORIDA  
CEDAR RAPIDS, IOWA  
CHICAGO, ILLINOIS  
CINCINNATI, OHIO  
CLEVELAND, OHIO  
COLORADO SPRINGS, COLORADO  
DALLAS, TEXAS  
DAYTON, OHIO  
DENVER, COLORADO  
DETROIT, MICHIGAN  
DOWNEY, CALIFORNIA  
GREENSBORO, NORTH CAROLINA  
HARTFORD, CONNECTICUT  
HONOLULU, HAWAII  
HOUSTON, TEXAS  
HUNTSVILLE, ALABAMA  
IDAHO FALLS, IDAHO  
INDIANAPOLIS, INDIANA  
KANSAS CITY, KANSAS  
LAS VEGAS, NEVADA  
LIVERMORE, CALIFORNIA  
LOS ANGELES, CALIFORNIA  
MADISON, WISCONSIN  
MIAMI, FLORIDA  
MILWAUKEE, WISCONSIN  
MINNEAPOLIS, MINNESOTA  
MONTEREY, CALIFORNIA  
NEWARK, NEW JERSEY  
NEW ORLEANS, LOUISIANA  
NEW YORK, NEW YORK  
OAKLAND, CALIFORNIA  
OMAHA, NEBRASKA  
PALO ALTO, CALIFORNIA  
PHILADELPHIA, PENNSYLVANIA  
PHOENIX, ARIZONA  
PITTSBURGH, PENNSYLVANIA  
PORTLAND, OREGON  
ROCHESTER, NEW YORK  
SACRAMENTO, CALIFORNIA  
ST. LOUIS, MISSOURI  
SALT LAKE CITY, UTAH  
SAN BERNARDINO, CALIFORNIA  
SAN DIEGO, CALIFORNIA  
SAN FRANCISCO, CALIFORNIA  
SAN JUAN, PUERTO RICO  
SANTA BARBARA, CALIFORNIA  
SEATTLE, WASHINGTON  
TULSA, OKLAHOMA  
VIRGINIA BEACH, VIRGINIA  
WASHINGTON, D. C.

ADELAIDE, AUSTRALIA  
AMERSFOORT, THE NETHERLANDS  
AMSTERDAM, THE NETHERLANDS  
ATHENS, GREECE  
BOMBAY, INDIA  
CALGARY, ALBERTA, CANADA  
CANBERRA, AUSTRALIA  
DUSSELDORF, GERMANY  
FRANKFURT, GERMANY  
GENEVA, SWITZERLAND  
HAMBURG, GERMANY  
JOHANNESBURG, SOUTH AFRICA  
KASTRUP, DENMARK  
LONDON, ENGLAND  
LUCERNE, SWITZERLAND  
MELBOURNE, AUSTRALIA  
MEXICO CITY, MEXICO  
MONTREAL, QUEBEC, CANADA  
MUNICH, GERMANY  
OSLO, NORWAY  
OTTAWA, ONTARIO, CANADA  
PARIS, FRANCE  
ROME, ITALY  
STOCKHOLM, SWEDEN  
STUTTGART, GERMANY  
SYDNEY, AUSTRALIA  
TEHERAN, IRAN  
TEL AVIV, ISRAEL  
TOKYO, JAPAN (C. ITOH ELECTRONIC  
COMPUTING SERVICE CO. LTD.)  
TORONTO, ONTARIO, CANADA  
VANCOUVER, BRITISH COLUMBIA, CANADA  
ZURICH, SWITZERLAND

8100 34th AVE. SO., MINNEAPOLIS, MINN. 55440

