

*Customer Engineering Diagrams*

**CONTROL DATA®  
168-2 ARITHMETIC UNIT**

Pub. No. 60023900  
May, 1964

Printed in the United States of America



## TABLE OF CONTENTS

	PAGE
Select, Load-Unload Control	1
Main Control	2
Timing Control	3
S Register	4
A, Q Registers	5
X Register	6
Borrow Pyramid	7
Inter-Chassis Cable Connections	8
Power Distribution	9
Power Supply Parts List and Layout	10
Power Supply Schematic	11
Jack location with a subscript 1 (C96A <sub>1</sub> ) is a 29 card; subscript 2 (D65A <sub>2</sub> ), a 28 card.	

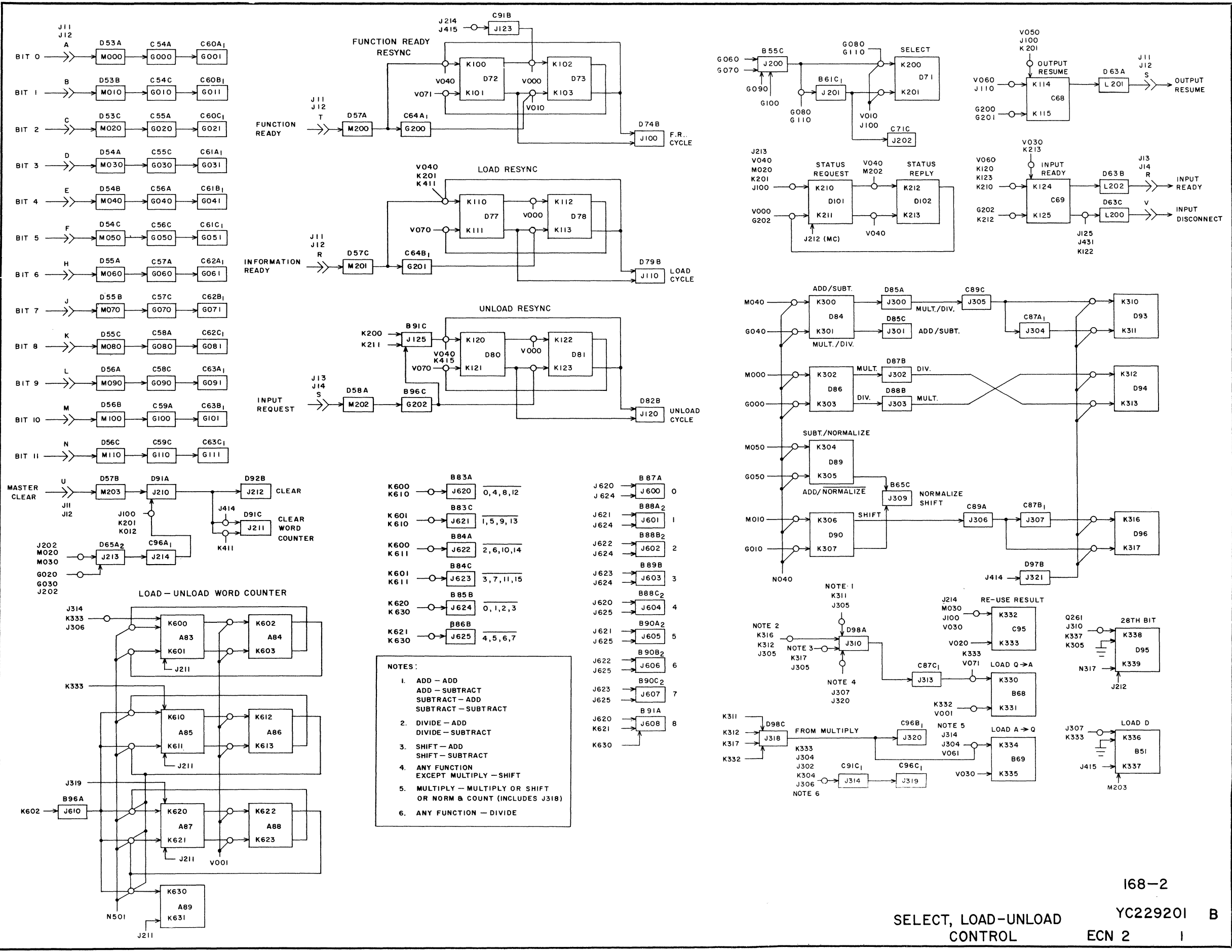
### TERM TABLE

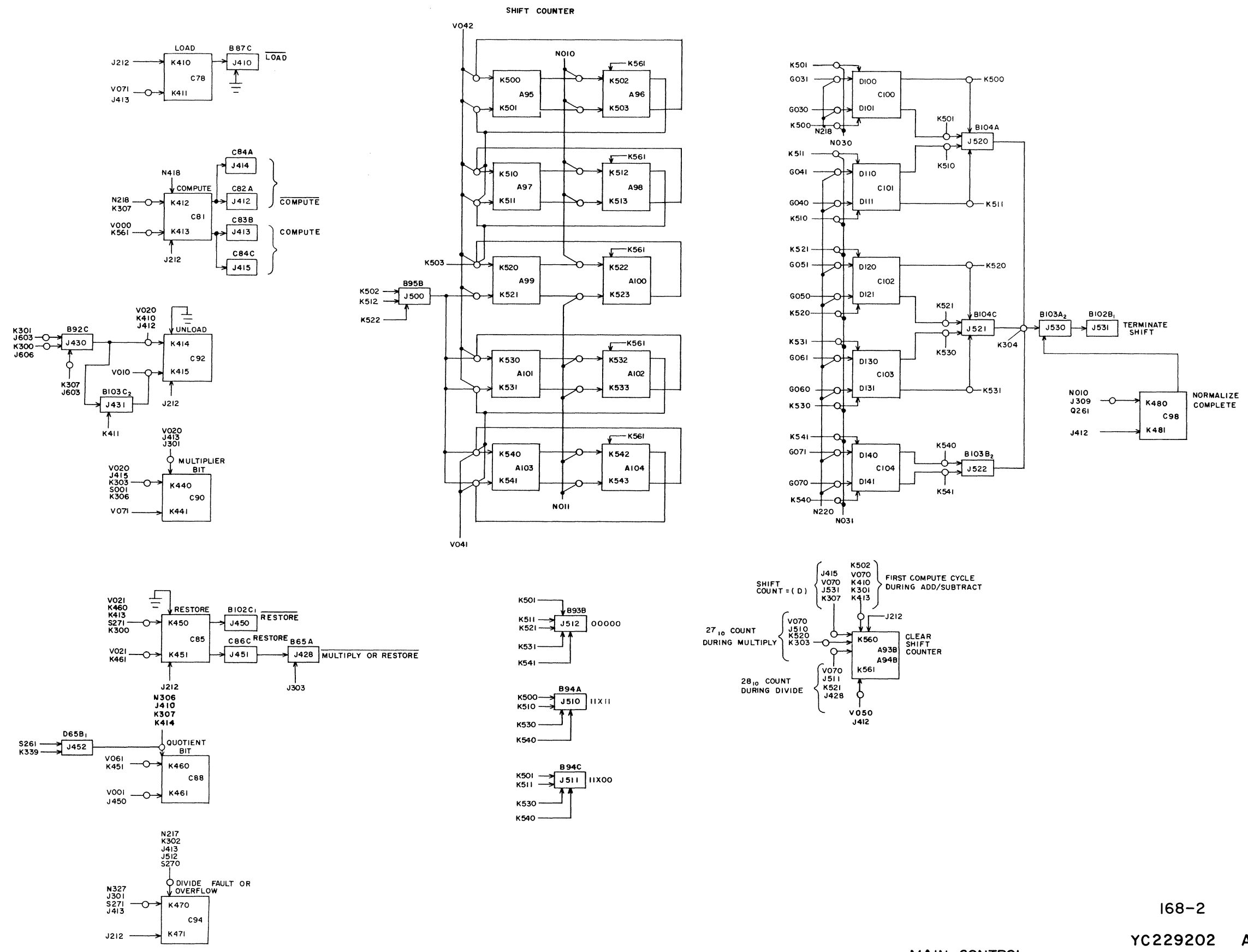
Example:

<u>B000</u>	<u>1A01A</u>	<u>*</u>	<u>7</u>
Term	Location	Locations with asterisk contain three inverter 28 or 29 cards	Term diagrammed on this page

A000 2A01A	5	A261 2A47C	5	B241 1B09A*	7	E110 1A26B	7	G202 3B96C	1	I241 2B48A	4	J500 3B95B	2	K213 3D102C	1	K612 3A86A	1
A001 2A01C	5	A270 2A48A	5	B250 1B10B*	7	E120 1A27B	7			I251 2B48C	4	J510 3B94A	2	K300 3D84A	1	K613 3A86C	1
A010 2A02A	5	A271 2A48C	5	B251 1B09B*	7	E130 1A28B	7	H000 3A70B	3	I261 2D48A	4	J511 3B94C	2	K301 3D84C	1	K620 3A87A	1
A011 2A02C	5			B260 1A09A	7	E140 1A29B	7	H010 3A71B	3	I271 2D48C	4	J512 3B93B	2	K302 3D86A	1	K621 3A87C	1
A020 2A03A	5	B000 1A01A*	7	B261 1B09C*	7	E150 1A30B	7	H020 3A72B	3			J520 3B104A	2	K303 3D86C	1	K622 3A88A	1
A021 2A03C	5	B001 1B01A*	7	B270 1A09C	7	E160 1A31B	7	H030 3A73B	3	J000 3B79B*	3	J521 3B104C	2	K304 3D89A	1	K623 3A88C	1
A030 2A04A	5	B010 1A02A*	7	B271 1B10A*	7	E170 1A32B	7	H040 3A74B	3	J001 3B79C*	3	J522 3B103B*2		K305 3D89C	1	K630 3A89A	1
A031 2A04C	5	B011 1B01B*	7			E180 1A33B	7	H050 3A75B	3	J002 3C65A*	3	J530 3B103A*2		K306 3D90A	1	K631 3A89C	1
A040 2A05A	5	B020 1A03A	7	C000 2A24A	3	E190 1A34B	7	H060 3A76B	3	J100 3D74B	1	J531 3B102B*2		K307 3D90C	1		
A041 2A05C	5	B021 1B01C*	7	C001 2A24C	3	E200 1A35B	7	H070 3A77B	3	J110 3D79B	1	J600 3B87A	1	K410 3C78A	2	L000 3D59A	6
A050 2A06A	5	B030 1A04A	7	C002 2B24A	3	E210 1A36B	7	H100 3A54B	3	J120 3D82B	1	J601 3B88A*	1	K411 3C78C	2	L010 3D59B	6
A051 2A06C	5	B031 1B02A*	7	C003 2B24C	3	E220 1A37B	7	H101 3A55B	3	J125 3B91C	1	J602 3B88B*	1	K412 3C81A	2	L020 3D59C	6
A060 2A07A	5	B040 1A01B*	7	C004 2C24A	3	E230 1A38B	7	H200 3A56B	3	J200 3B55C	1	J603 3B89B	1	K413 3C81C	2	L030 3D60A	6
A061 2A07C	5	B041 1B02B*	7	C005 2C24C	3	E240 1A39B	7	H201 3A57B	3	J201 3B61C*	1	J604 3B88C*	1	K414 3C92A	2	L040 3D60B	6
A070 2A08A	5	B050 1A02B*	7	C006 2D24A	3	E250 1A40B	7	H210 3A65B	3	J210 3D91A	1	J605 3B90A*	1	K415 3C92C	2	L050 3D60C	6
A071 2A08C	5	B051 1B02C*	7	C007 2D24C	3	E260 1A41B	7	H211 3A58B	3	J211 3D91C	1	J606 3B90B*	1	K440 3C90A	2	L060 3D61A	6
A080 2A16A	5	B060 1A03C	7	C008 2C52A	3	E270 1A42B	7	H300 3A59B	3	J212 3D92B	1	J607 3B90C*	1	K441 3C90C	2	L070 3D61B	6
A081 2A16C	5	B061 1B03A*	7	C009 2C52C	3	E300 1A14A	7	H301 3A60B	3	J300 3D85A	1	J608 3B91A	1	K450 3C85A	2	L080 3D61C	6
A090 2A17A	5	B070 1A04C	7	C010 3A53A	3	E310 1A14C	7	H311 3A61B	3	J301 3D85C	1	J610 3B96A	1	K451 3C85C	2	L090 3D62A	6
A091 2A17C	5	B071 1B03B*	7	C011 3A53C	3	E320 1B27A*	7	H321 3A62B	3	J302 3D87B	1	J620 3B83A	1	K460 3C88A	2	L100 3D62B	6
A100 2A18A	5	B080 1A01C*	7	C012 3B53A	3	E330 1A12C*	7	H400 3A64B	3	J303 3D88B	1	J621 3B83C	1	K461 3C88C	2	L110 3D62C	6
A101 2A18C	5	B081 1B03C*	7	C013 3B53C	3	E340 1A13A*	7	H401 3A63B	3	J309 3B65C	1	J622 3B84A	1	K470 3C94A	2	L200 3D63C	1
A110 2A19A	5	B090 1A02C*	7	C014 3C53A	3	E350 1A13B*	7	H410 3A66B	3	J400 3B57B	4	J623 3B84C	1	K471 3C94C	2	L201 3D63A	1
A111 2A19C	5	B091 1B04A*	7	C015 3C53C	3	E360 1A13C*	7	H501 3A67B	3	J401 3B56A	4	J624 3B85B	1	K480 3C98A	2	L202 3D63B	1
A120 2A20A	5	B100 1A05A	7	C016 3B62A	3	E401 1A50C	7	H600 3A78B	3	J402 3B58B	4	J625 3B86B	1	K481 3C98C	2	L203 3D64A	3
A121 2A20C	5	B101 1B04B*	7	C017 3B62C	3	E411 1A51C	7	H610 3A79B	3	J403 3B55A	3			K500 3A95A	2		
A130 2A21A	5	B110 1A06A	7	C018 3B64A	3			H620 3A80B	3	J404 3B54A	3	K000 3B80A	3	K501 3A95C	2	M000 3D53A	1
A131 2A21C	5	B111 1B04C*	7	C019 3B64C	3	G000 3C54A	1	H630 3A81B	3	J405 3C65C*	3	K001 3B80C	3	K502 3A96A	2	M010 3D53B	1
A140 2A22A	5	B120 1A10A*	7	C020 3B66A	3	G001 3C60A*	1			J406 3B61B*	3	K010 3C67A	3	K503 3A96C	2	M020 3D53C	1
A141 2A22C	5	B121 1B05A*	7	C021 3B66C	3	G010 3C54C	1	I001 2A09A	4	J407 3B61A*	3	K011 3C67C	3	K510 3A97A	2	M030 3D54A	1
A150 2A23A	5	B130 1A11A*	7			G011 3C60B*	1	I011 2A09C	4	J408 3B54C	3	K012 3C66A	3	K511 3A97C	2	M040 3D54B	1
A151 2A23C	5	B131 1B05B*	7	D100 3C100A	2	G020 3C55A	1	I021 2B09A	4	J409 3B60C*	3	K013 3C66C	3	K512 3A98A	2	M050 3D54C	1
A160 2A31A	5	B140 1A05C	7	D101 3C100C	2	G021 3C60C*	1	I031 2B09C	4	J410 3B87C	2	K100 3D72A	1	K513 3A98C	2	M060 3D55A	1
A161 2A31C	5	B141 1B05C*	7	D110 3C101A	2	G030 3C55C	1	I041 2C09A	4	J412 3C82A	2	K101 3D72C	1	K520 3A99A	2	M070 3D55B	1
A170 2A32A	5	B150 1A06C	7	D111 3C101C	2	G031 3C61A*	1	I051 2C09C	4	J413 3C83B	2	K102 3D73A	1	K521 3A99C	2	M080 3D55C	1
A171 2A32C	5	B151 1B06A*	7	D120 3C102A	2	G040 3C56A	1	I061 2D09A	4	J414 3C84A	2	K103 3D73C	1	K522 3A100A	2	M090 3D56A	1
A180 2A33A	5	B160 1A10B*	7	D121 3C102C	2	G041 3C61B*	1	I071 2D09C	4	J415 3C84C	2	K110 3D77A	1	K523 3A100C	2	M100 3D56B	1
A181 2A33C	5	B161 1B06B*	7	D130 3C103A	2	G050 3C56C	1	I081 2A25A	4	J419 3C64C*	3	K111 3D77C	1	K530 3A101A	2	M110 3D56C	1
A190 2A34A	5	B170 1A11B*	7	D131 3C103C	2	G051 3C61C*	1	I091 2A25C	4	J420 3B67A	3	K112 3D78A	1	K531 3A101C	2	M200 3D57A	1
A191 2A34C	5	B171 1B06C*	7	D140 3C104A	2	G060 3C57A	1	I101 2B25A	4	J421 3B67C	3	K113 3D78C	1	K532 3A102A	2	M201 3D57C	1
A200 2A35A	5	B180 1A07A	7	D141 3C104C	2	G061 3C62A*	1	I111 2B25C	4	J422 3B63C	3	K114 3C68A	1	K533 3A102C	2	M202 3D58A	1
A201 2A35C	5	B181 1B07A*	7			G070 3C57C	1	I121 2C25A	4	J423 3B59A	3	K115 3C68C	1	K540 3A103A	2	M203 3D57B	1
A210 2A36A	5	B190 1A08A	7	E000 1A15B	7	G071 3C62B*	1	I131 2C25C	4	J424 3B59C	3	K120 3D80A	1	K541 3A103C	2		
A211 2A36C	5	B191 1B07B*	7	E010 1A16B	7	G080 3C58A	1	I141 2D25A	4	J425 3B60A*	3	K121 3D80C	1	K542 3A104A	2	N010 3A90B	3
A220 2A37A	5	B200 1A10C*	7	E020 1A17B	7	G081 3C62C*	1	I151 2D25C	4	J426 1B40C	7	K122 3D81A	1	K543 3A104C	2	N011 3A91B	3
A221 2A37C	5	B201 1B07C*	7	E030 1A18B	7	G090 3C58C	1	I161 2A39A	4	J427 3B56C	6	K123 3D81C	1	K560 3A93B	2	N030 3B92A	3
A230 2A38A	5	B210 1A11C*	7	E040 1A19B	7	G091 3C63A*	1	I171 2A39C	4	J428 3B65A	2	K124 3C69A	1	K561 3A94B	2	N031 3C97B	3
A231 2A38C	5	B211 1B08A*	7	E050 1A20B	7	G100 3C59A	1	I181 2B39A	4	J429 3C65B*	6	K125 3C69C	1	K600 3A83A	1	N040 3D83B	3
A240 2A45A	5	B220 1A07C	7	E060 1A21B	7	G101 3C63B*	1	I191 2B39C	4	J430 3B92C	2	K200 3D71A	1	K601 3A83C	1	N100 2C11B	3
A241 2A45C	5	B221 1B08B*	7	E070 1A22B	7	G110 3C59C	1	I201 2C39A	4	J431 3B103C*2		K201 3D71C	1	K602 3A84A	1	N101 2C12B	3
A250 2A46A	5	B230 1A08C	7	E080 1A23B	7	G111 3C63C*	1	I211 2C39C	4	J450 3B102C*2		K210 3D101A	1	K603 3A84C	1	N102 2C27B	3
A251 2A46C	5	B231 1B08C*	7	E090 1A24B	7	G200 3C64A*	1	I221 2D39A	4	J451 3C86C	2	K211 3D101C	1	K610 3A85A	1	N103 2C28B	3
A260 2A47A	5	B240 1A12A*	7	E100 1A25B	7	G201 3C64B*	1	I231 2D39C	4	J490 3B102A*3		K212 3D102A	1	K611 3A85C	1	N104 2C41B	3

N105	2C42B	3	Q001	2B01C	5	R000	1B15A*	7	S121	2C20C	4	U211	1B37A	7	W203	2D26B	4	X160	2D31A	6	K333	3C95C	1
N106	2C49B	3	Q010	2B02A	5	R010	1B15B*	7	S130	2C21A	4	U221	1B37C	7	W204	2C40B	4	X161	2D31C	6	K334	3B69A	1
N107	2C50B	3	Q011	2B02C	5	R020	1B15C*	7	S131	2C21C	4	U231	1B39C	7	W205	2D40B	4	X170	2D32A	6	K335	3B69C	1
N200	2A11B	3	Q020	2B03A	5	R030	1B16A*	7	S140	2C22A	4	U241	1B38A	7	W206	2D51B	4	X171	2D32C	6	K336	2B51A	1
N201	2A12B	3	Q021	2B03C	5	R040	1B16B*	7	S141	2C22C	4	U251	1B38C	7	W300	2A10B	4	X180	2D33A	6	K337	2B51C	1
N202	2A27B	3	Q030	2B04A	5	R050	1B16C*	7	S150	2C23A	4	U261	1B40A	7	W301	2A26B	4	X181	2D33C	6	K338	3D95A	1
N203	2A28B	3	Q031	2B04C	5	R060	1B17A*	7	S151	2C23C	4	U300	1A43B	7	W302	2A40B	4	X190	2D34A	6	K339	3D95C	1
N204	2A41B	3	Q040	2B05A	5	R070	1B17B*	7	S160	2C31A	4	U310	1A44B	7	W303	2C51A	4	X191	2D34C	6			
N205	2A42B	3	Q041	2B05C	5	R080	1B17C*	7	S161	2C31C	4	U320	1A45B	7	W400	2B10B	4	X200	2D35A	6			
N206	2A49B	3	Q050	2B06A	5	R090	1B18A*	7	S170	2C32A	4	U330	1A46B	7	W401	2B26B	4	X201	2D35C	6			
N207	2A50B	3	Q051	2B06C	5	R100	1B18B*	7	S171	2C32C	4	U340	1A47B	7	W402	2B40B	4	X210	2D36A	6			
N210	2A14B	3	Q060	2B07A	5	R110	1B18C*	7	S180	2C33A	4	U350	1A48B	7	W403	2C51C	4	X211	2D36C	6			
N211	2A13B	3	Q061	2B07C	5	R120	1B19A*	7	S181	2C33C	4	U360	1A49B	7	W500	1B11B	7	X220	2D37A	6			
N212	2A15B	3	Q070	2B08A	5	R130	1B19B*	7	S190	2C34A	4	U401	1A50A	7	W501	1B12B	7	X221	2D37C	6			
N213	2A29B	3	Q071	2B08C	5	R140	1B19C*	7	S191	2C34C	4	U411	1A51A	7	W502	1B13B	7	X230	2D38A	6			
N214	2A30B	3	Q080	2B16A	5	R150	1B20A*	7	S200	2C35A	4	U500	1A52A	7	W503	1B14B	7	X231	2D38C	6			
N215	2A43B	3	Q081	2B16C	5	R160	1B20B*	7	S201	2C35C	4	U510	1A52C	7	W600	1B24B	7	X240	2D45A	6			
N216	2A44B	3	Q090	2B17A	5	R170	1B20C*	7	S210	2C36A	4	U601	1B41A	7	W601	1B25B	7	X241	2D45C	6			
N217	2A51B	3	Q091	2B17C	5	R180	1B21A*	7	S211	2C36C	4	U611	1B42A	7	W602	1B26B	7	X250	2D46A	6			
N218	2A52B	3	Q100	2B18A	5	R190	1B21B*	7	S220	2C37A	4	U621	1B43B	7	W603	1B27C	7	X251	2D46C	6			
N220	3C99B	3	Q101	2B18C	5	R200	1B21C*	7	S221	2C37C	4	U631	1B44B	7				X260	2D47A	6			
N300	2B11B	3	Q110	2B19A	5	R210	1B22A*	7	S230	2C38A	4	U641	1B41C	7	X000	2D01A	6	X261	2D47C	6			
N301	2B12B	3	Q111	2B19C	5	R220	1B22B*	7	S231	2C38C	4	U651	1B42C	7	X001	2D01C	6						
N302	2B27B	3	Q120	2B20A	5	R230	1B22C*	7	S240	2C45A	4	U661	1B45B	7	X010	2D02A	6	J123	3C91B*	1			
N303	2B28B	3	Q121	2B20C	5	R240	1B23A*	7	S241	2C45C	4				X011	2D02C	6	J202	3C71C*	1			
N304	2B41B	3	Q130	2B21A	5	R250	1B23B*	7	S250	2C46A	4	V000	3B70B	3	X020	2D03A	6	J213	3D65A*	1			
N305	2B42B	3	Q131	2B21C	5	R260	1B23C*	7	S251	2C46C	4	V001	3C70B	3	X021	2D03C	6	J214	3C96A*	1			
N306	2B49B	3	Q140	2B22A	5				S260	2C47A	4	V010	3B71B	3	X030	2D04A	6	J304	3C87A*	1			
N307	3B60B	3	Q141	2B22C	5	S000	2C01A	4	S261	2C47C	4	V020	3B72B	3	X031	2D04C	6	J305	3C89C	1			
N311	2B13B	3	Q150	2B23A	5	S001	2C01C	4	S270	2C48A	4	V021	3C72A	3	X040	2D05A	6	J306	3C89A	1			
N313	2B29B	3	Q151	2B23C	5	S010	2C02A	4	S271	2C48C	4	V030	3B73B	3	X041	2D05C	6	J307	3C87B*	1			
N315	2B43B	3	Q160	2B31A	5	S011	2C02C	4				V040	3B74B	3	X050	2D06A	6	J310	3D98A	1			
N317	2B52A	3	Q161	2B31C	5	S020	2C03A	4	U001	1B29A	7	V041	3C72C	3	X051	2D06C	6	J313	3C87C*	1			
N321	2B14B	3	Q170	2B32A	5	S021	2C03C	4	U011	1B29C	7	V042	3C74B	3	X060	2D07A	6	J314	3C91C*	1			
N323	2B30B	3	Q171	2B32C	5	S030	2C04A	4	U021	1B30A	7	V050	3B75B	3	X061	2D07C	6	J318	3D98C	1			
N325	2B44B	3	Q180	2B33A	5	S031	2C04C	4	U031	1B28A	7	V060	3B76B	3	X070	2D08A	6	J319	3C96C*	1			
N327	2B52C	3	Q181	2B33C	5	S040	2C05A	4	U041	1B30C	7	V061	3C76A	3	X071	2D08C	6	J320	3C96B*	1			
N400	2D12B	3	Q190	2B34A	5	S041	2C05B	4	U051	1B31A	7	V070	3B77B	3	X080	2D16A	6	J321	3D97B	1			
N401	2D11B	3	Q191	2B34C	5	S050	2C06A	4	U061	1B31C	7	V071	3C76C	3	X081	2D16C	6	J411	3D65C*	3			
N402	2D28B	3	Q200	2B35A	5	S051	2C06C	4	U071	1B28B	7	V600	3B78A*	3	X090	2D17A	6	J416	3C91A*	3			
N403	2D27B	3	Q201	2B35C	5	S060	2C07A	4	U081	1B32A	7	V610	3B78B*	3	X091	2D17C	6	J432	3C71A*	6			
N404	2D42B	3	Q210	2B36A	5	S061	2C07C	4	U091	1B32C	7	V620	3B78C*	3	X100	2D18A	6	J433	3C71B*	6			
N405	2D41B	3	Q211	2B36C	5	S070	2C08A	4	U101	1B33A	7	V630	3B79A*	3	X101	2D18C	6	J452	3D65B*	2			
N406	2D49A	3	Q220	2B37A	5	S071	2C08C	4	U111	1B28C	7				X110	2D19A	6						
N407	2D49C	3	Q221	2B37C	5	S080	2C16A	4	U121	1B33C	7	W110	3D66B	6	X111	2D19C	6	K310	3D93A	1			
N410	2D14B	3	Q230	2B38A	5	S081	2C16C	4	U131	1B34A	7	W111	3D67B	6	X120	2D20A	6	K311	3D93C	1			
N412	2D15B	3	Q231	2B38C	5	S090	2C17A	4	U141	1B34C	7	W120	3D68B	6	X121	2D20C	6	K312	3D94A	1			
N414	2D30B	3	Q240	2B45A	5	S091	2C17C	4	U151	1B39A	7	W121	3D69B	6	X130	2D21A	6	K313	3D94C	1			
N416	2D44B	3	Q241	2B45C	5	S100	2C18A	4	U161	1B35A	7	W130	3D70B	6	X131	2D21C	6	K316	3D96A	1			
N418	2D52B	3	Q250	2B46A	5	S101	2C18C	4	U171	1B35C	7	W131	3C86A	6	X140	2D22A	6	K317	3D96C	1			
N501	3A82B	3	Q251	2B46C	5	S110	2C19A	4	U181	1B36A	7	W200	2C10B	4	X141	2D22C	6	K330	3B68A	1			
			Q260	2B47A	5	S111	2C19C	4	U191	1B39B	7	W201	2D10B	4	X150	2D23A	6	K331	3B68C	1			
Q000	2B01A	5	Q261	2B47C	5	S120	2C20A	4	U201	1B36C	7	W202	2C26B	4	X151	2D23C	6	K332	3C95A	1			

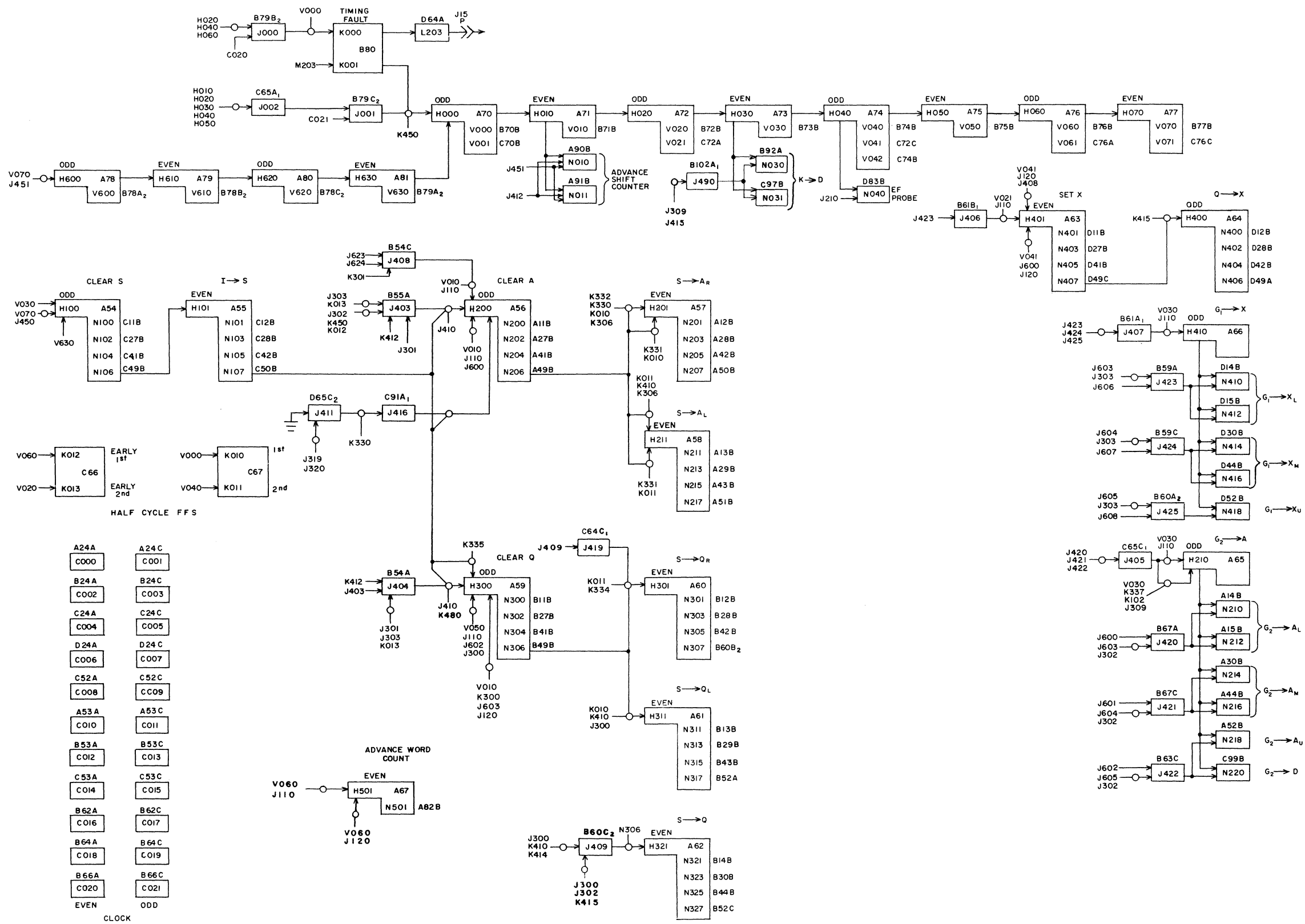




MAIN CONTROL

168-2

YC229202 A

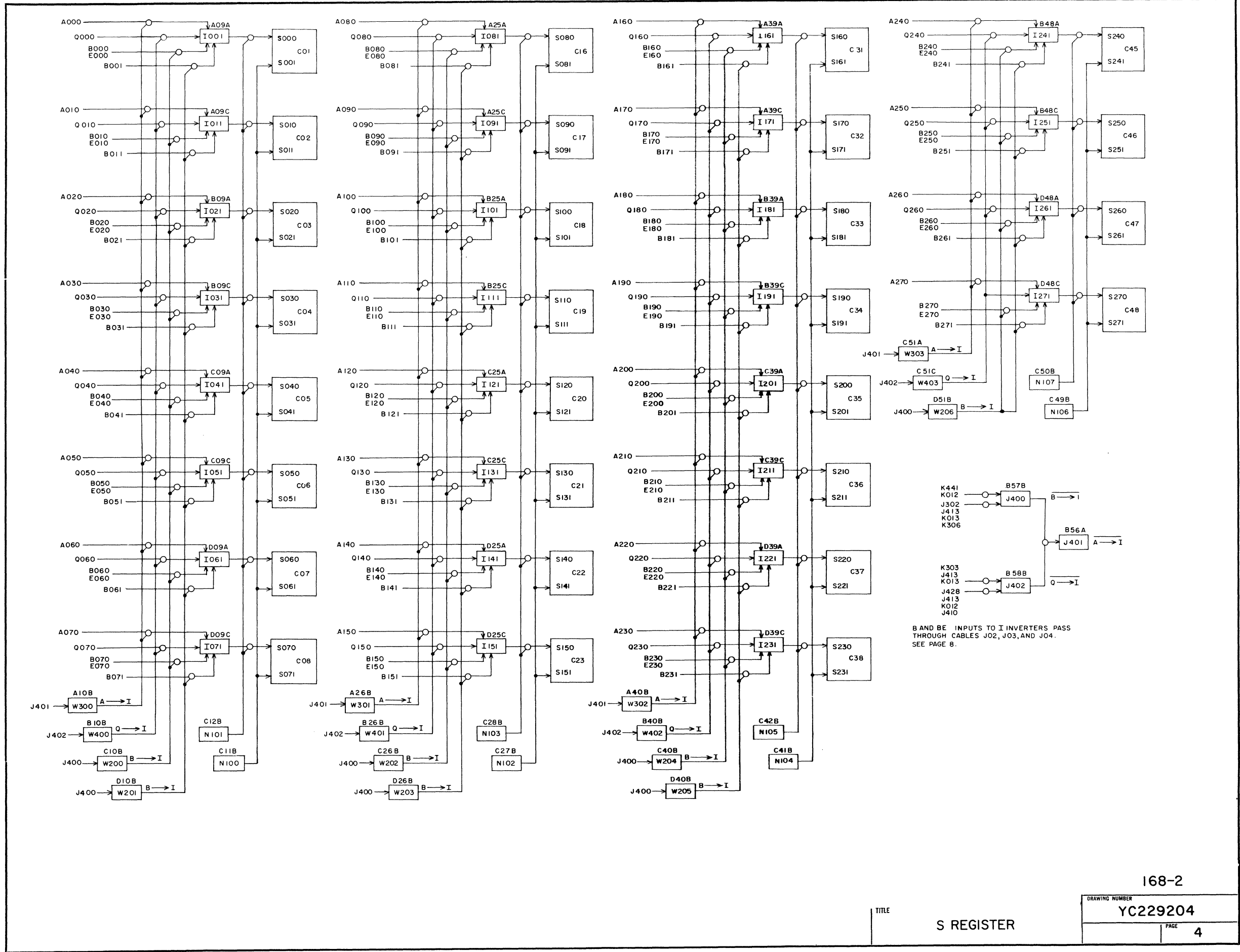


A24A	A24C
B24A	B24C
C24A	C24C
D24A	D24C
C52A	C52C
A53A	A53C
B53A	B53C
C53A	C53C
B62A	B62C
B64A	B64C
B66A	B66C

CO00 CO01  
 CO02 CO03  
 CO04 CO05  
 CO06 CO07  
 CO08 CO09  
 CO10 CO11  
 CO12 CO13  
 CO14 CO15  
 CO16 CO17  
 CO18 CO19  
 CO20 CO21  
 EVEN ODD

CLOCK

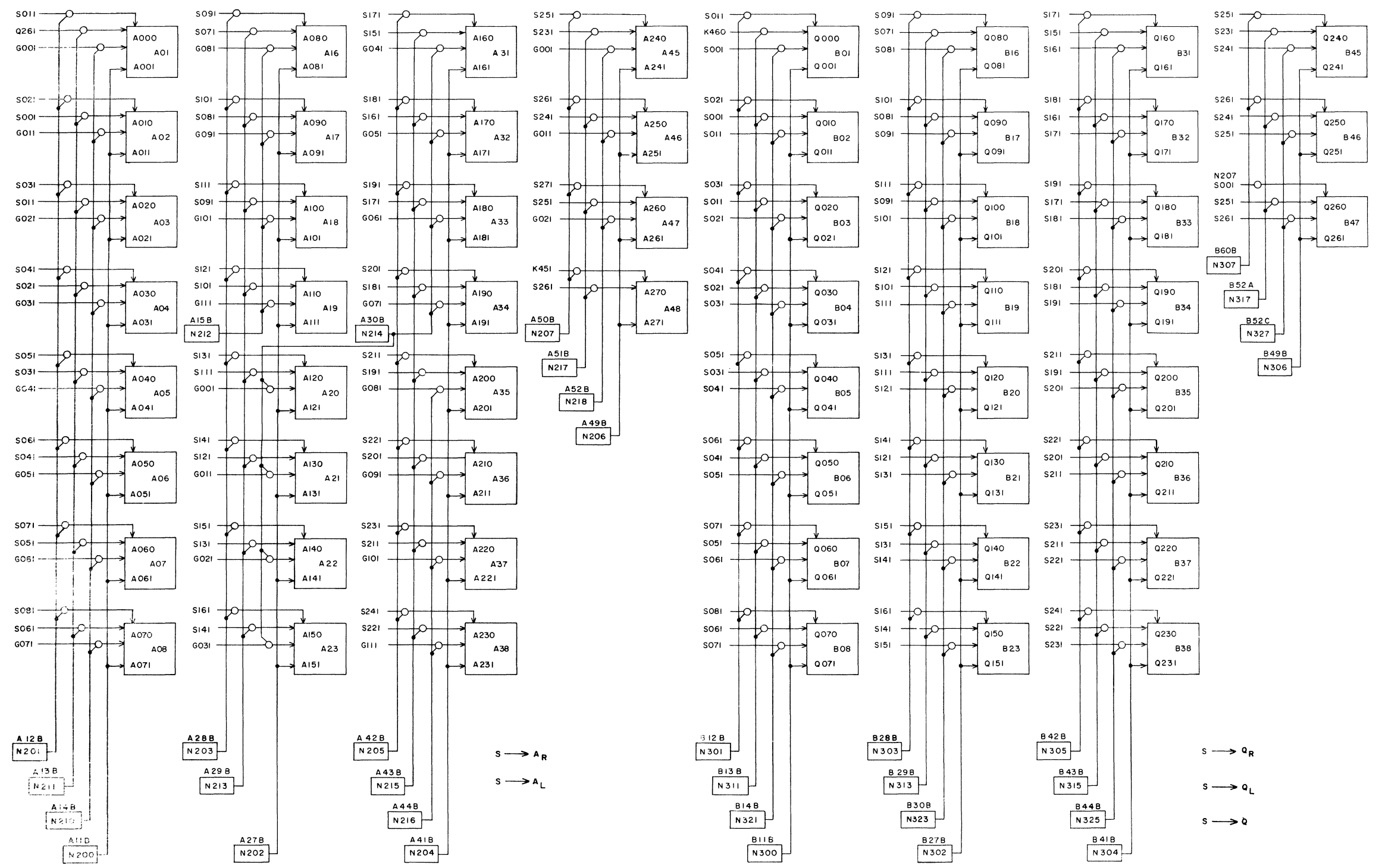




168-2

TITLE  
S REGISTER

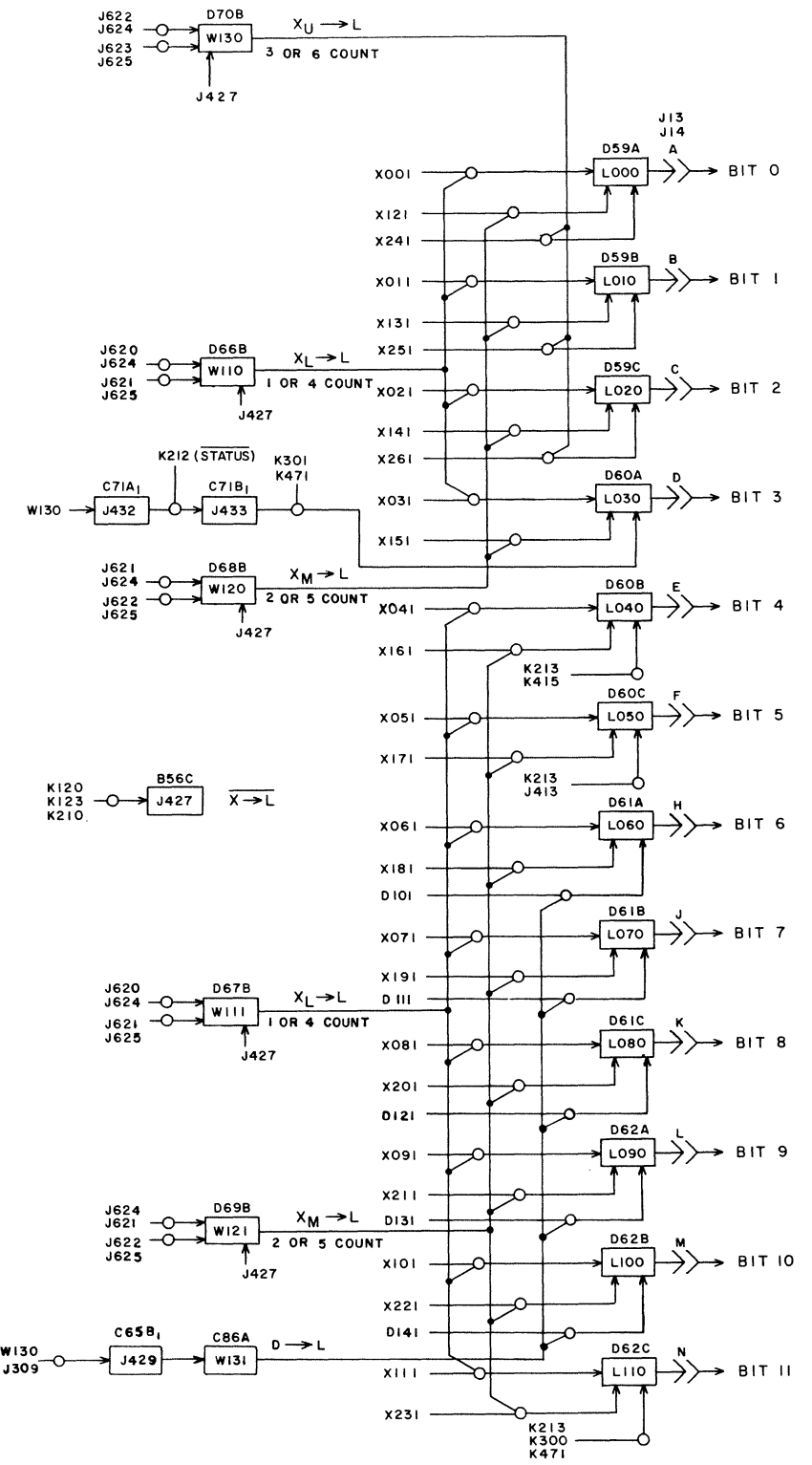
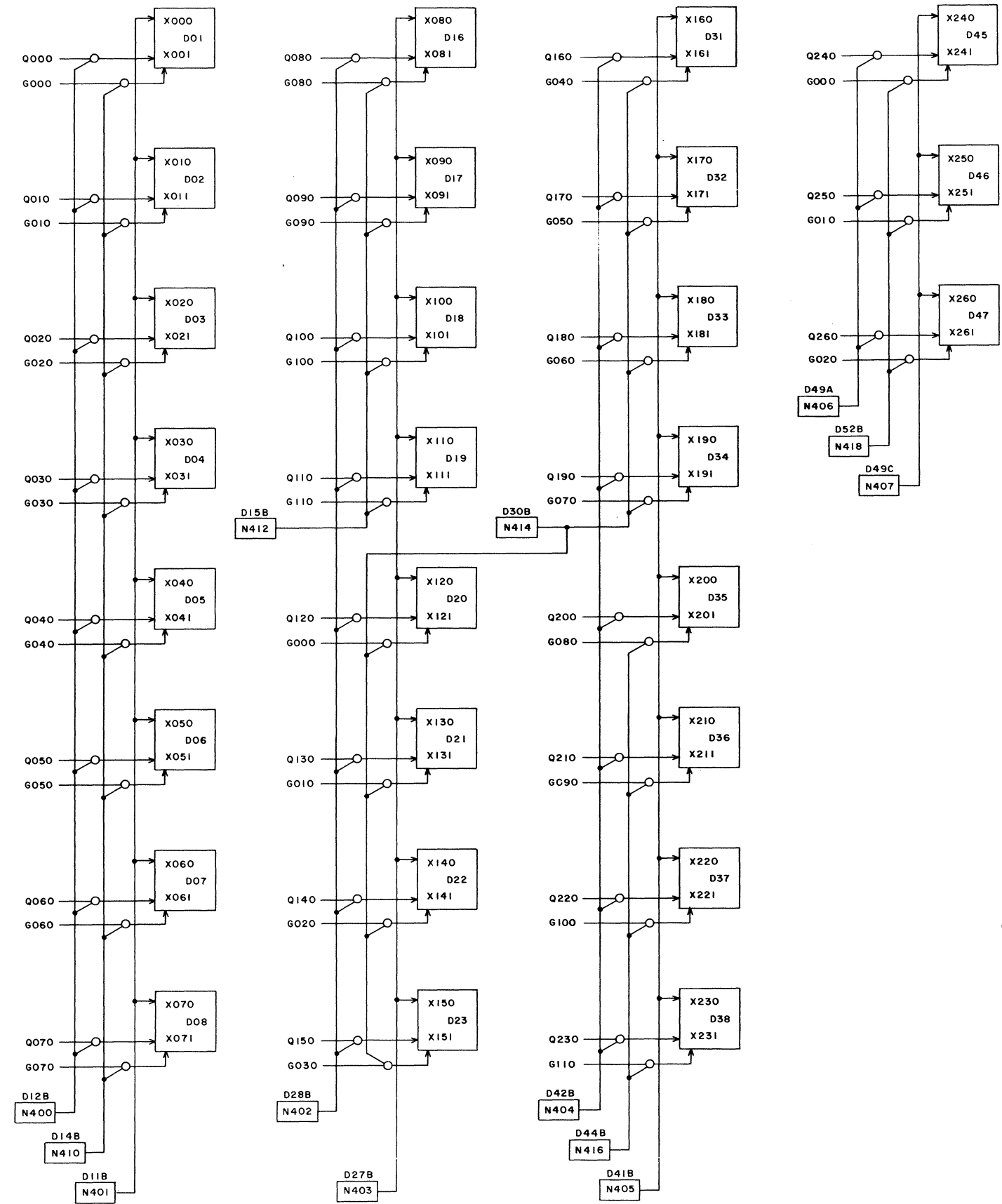
DRAWING NUMBER	YC229204
PAGE	4



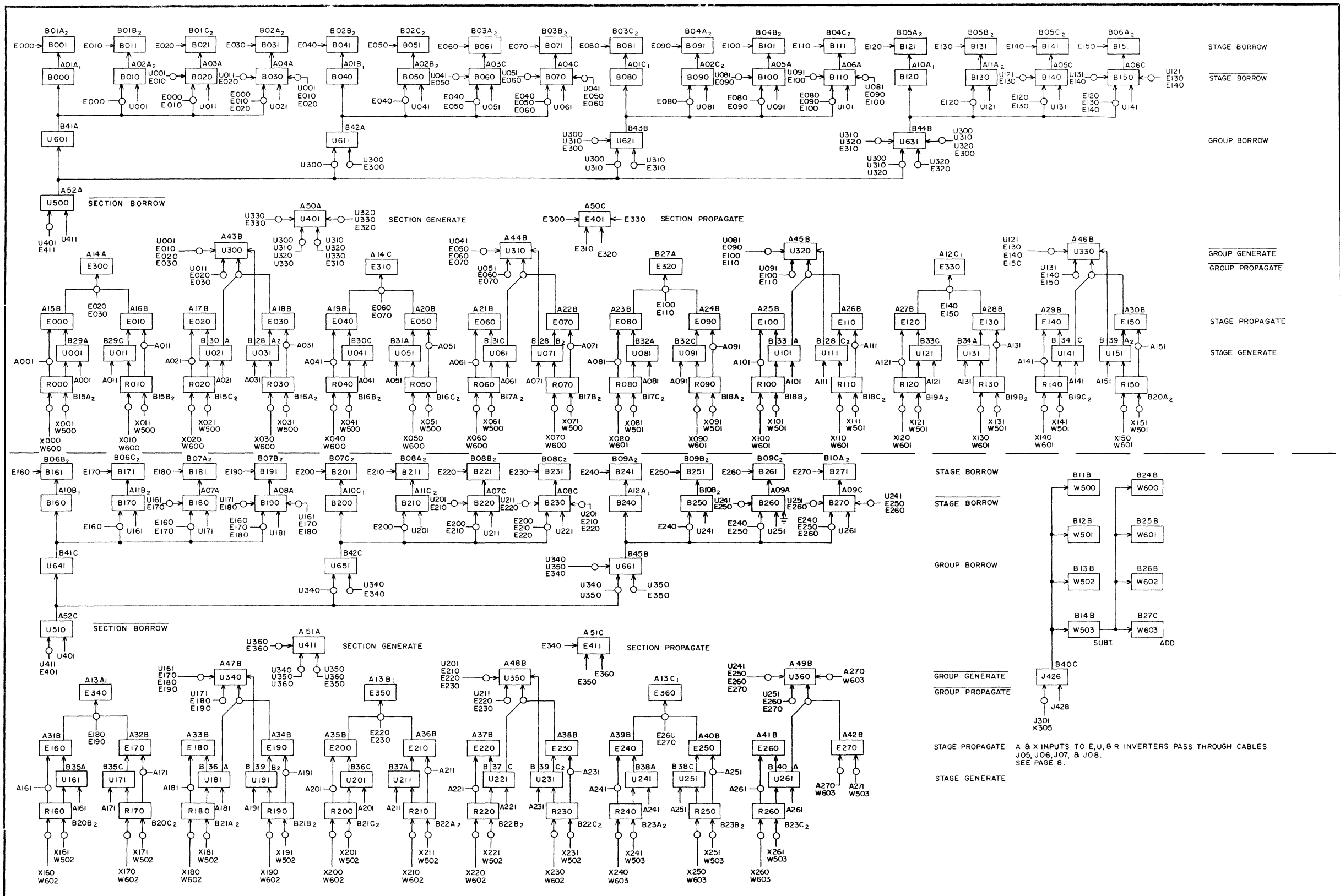
168-2

TITLE  
A, Q REGISTERS

DRAWING NUMBER  
YC229205  
PAGE  
5



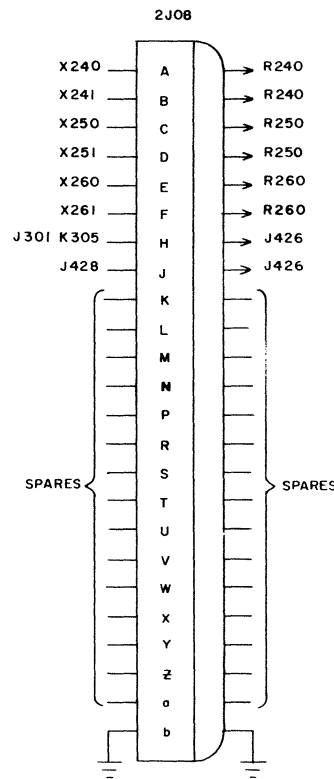
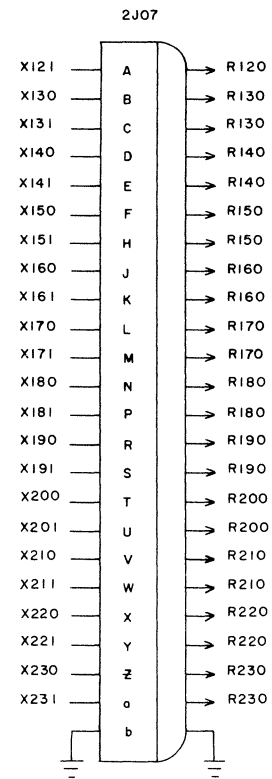
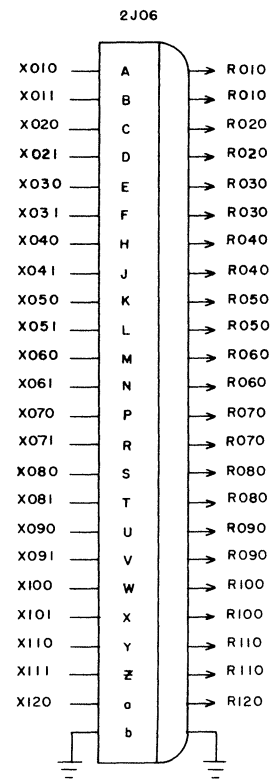
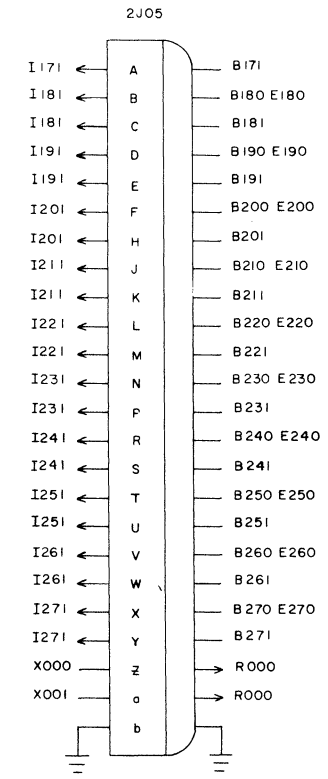
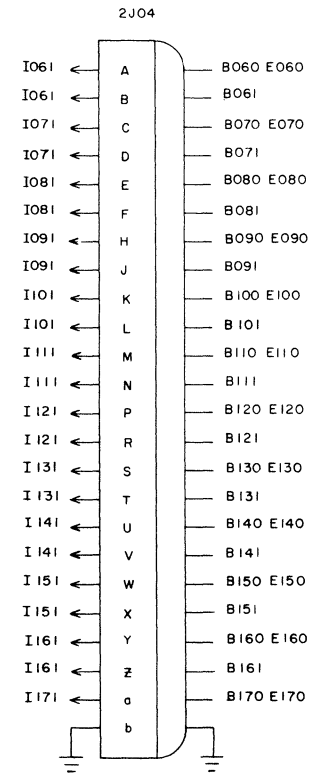
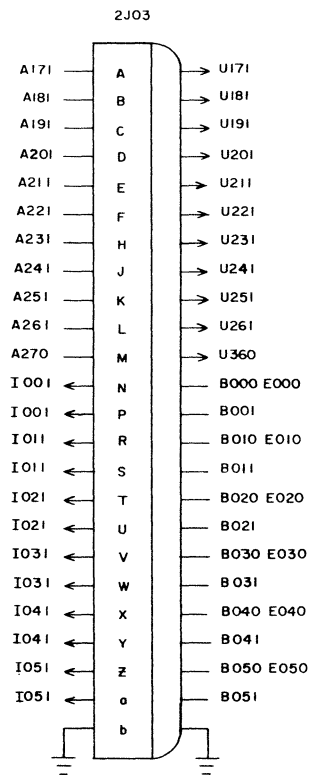
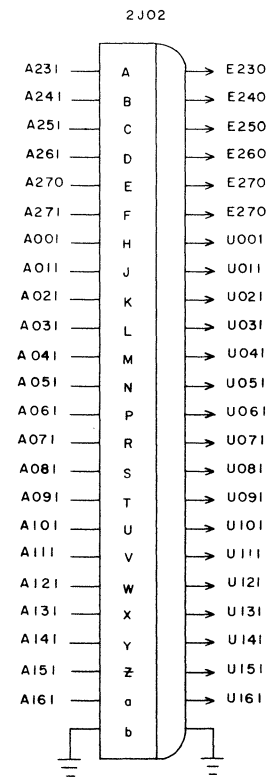
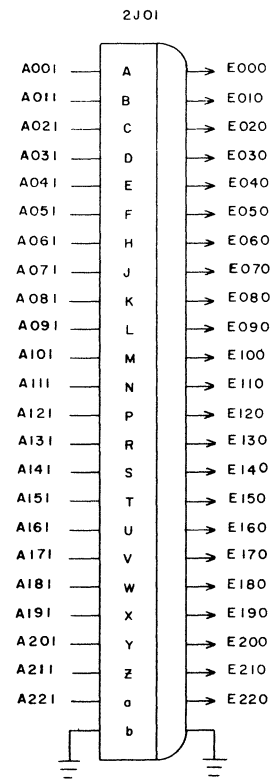
X REGISTER



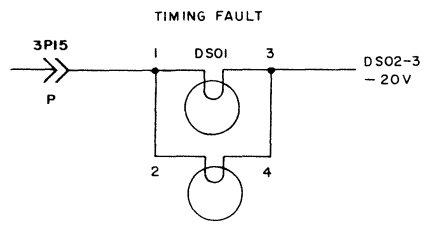
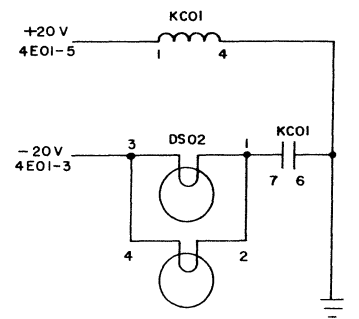
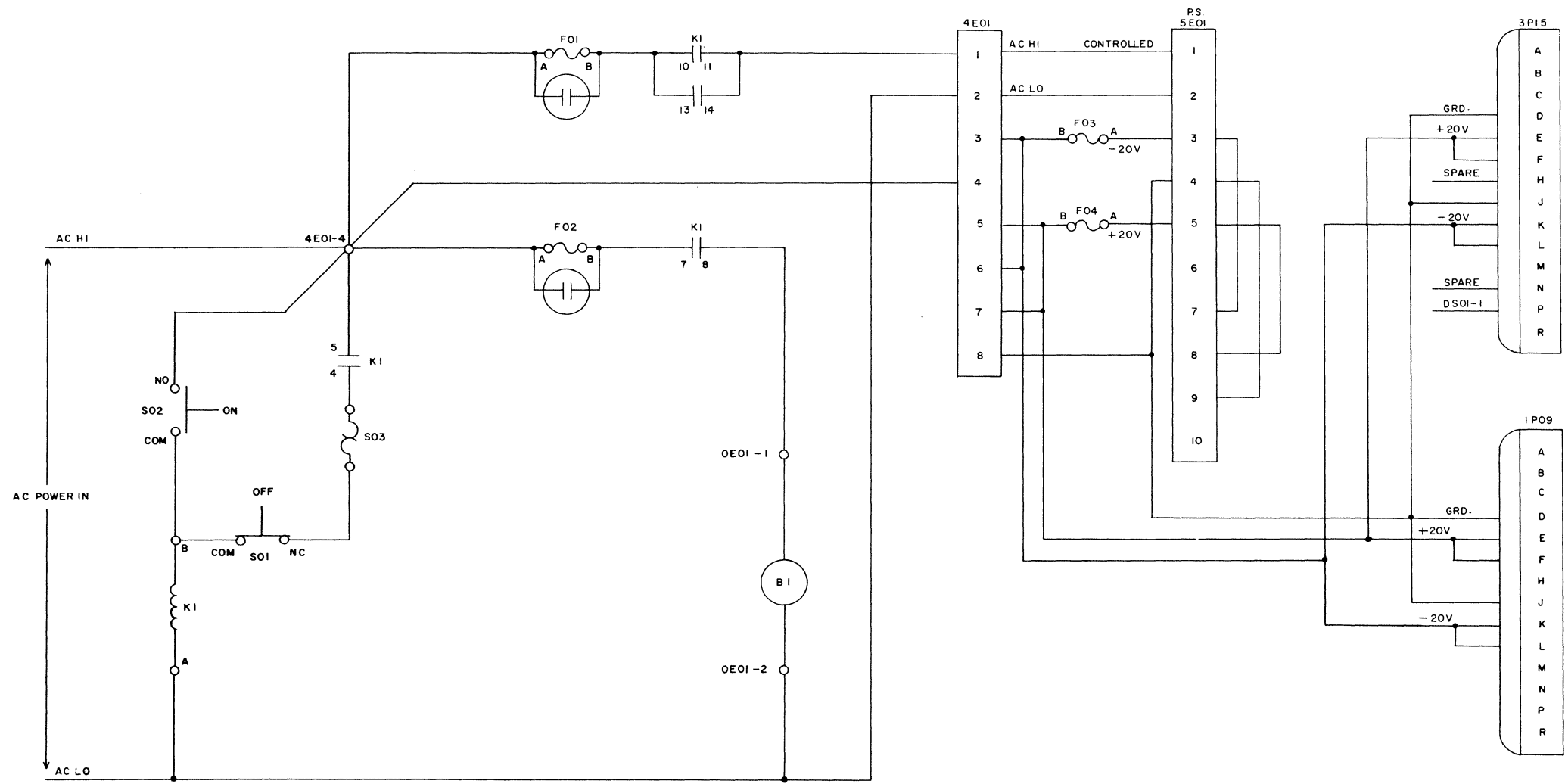
168-2

TITLE  
BORROW PYRAMID

DRAWING NUMBER	YC229207
PAGE	7



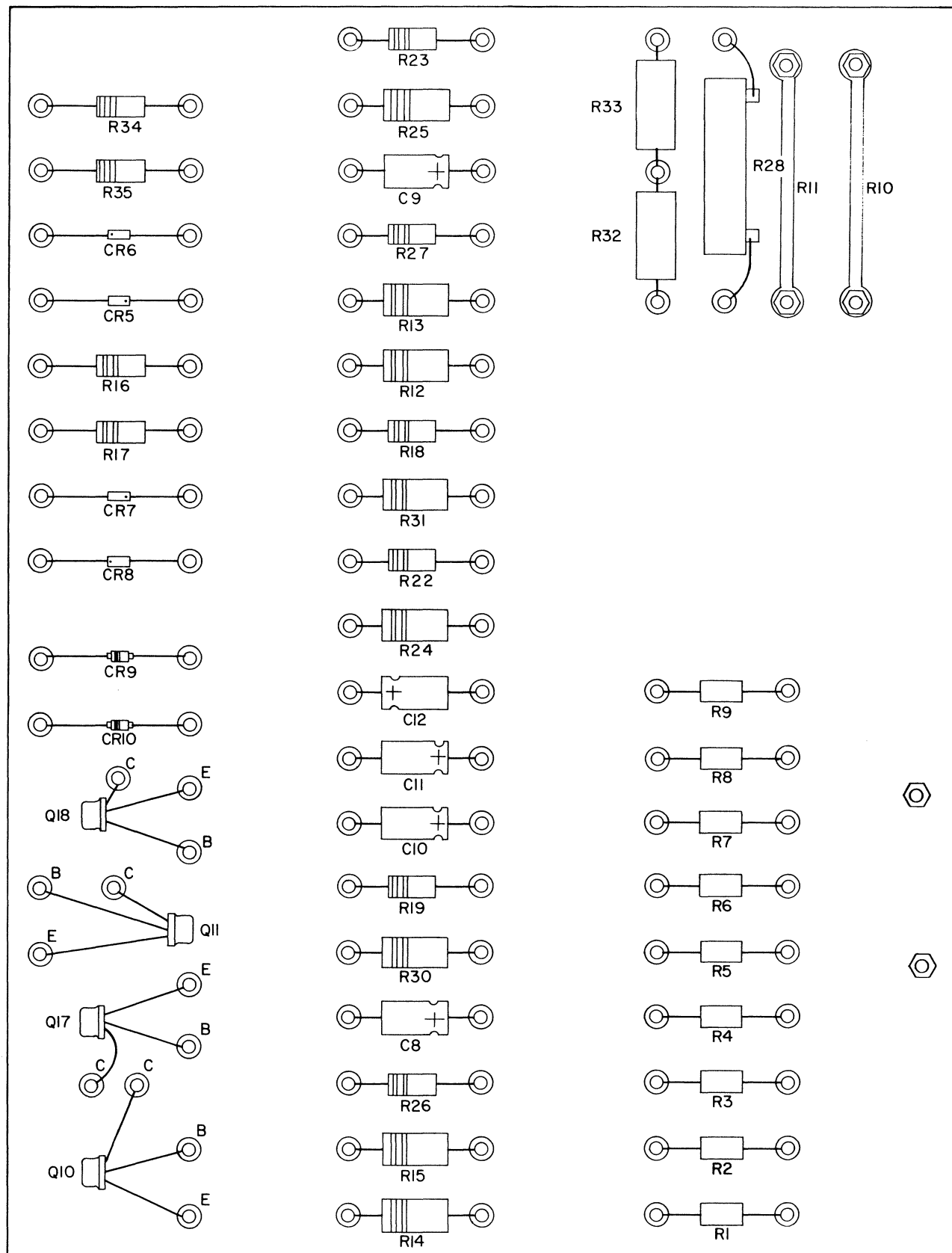
NOTE:  
ARROWS INDICATE DIRECTION OF SIGNALS.  
B, E, R, AND U TERMS ARE ON CHASSIS 210100.  
A, I, AND X TERMS ARE ON CHASSIS 210200.  
OTHER TERMS ARE ON CHASSIS 210300.



168-2

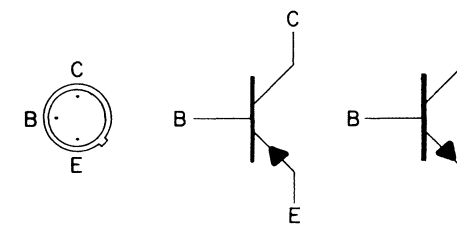
TITLE  
POWER DISTRIBUTION

DRAWING NUMBER	YC229209
PAGE	9



Symbol	Value	Description	Vendor	AMP Part No.	
B1		Saucer Fan	Rotron		
C1	2 UF	Capacitor 2P4D	Hopkins		
C2, 3	10 UF		GE		
C4, 5	25K UF	DCM 25/30	Sangamo		
C6, 7	10K UF		Sangamo		
C8	35 UF	TE 1208	Sprague	833389	
C9	25 UF		"	"	833388
C10-12	50 UF	Capacitor TE 1209	Sprague	833390	
CR1-4		Power Rectifier 1N2129	IRC		
CR5-8		Stabistor Diode G-129	TI	838403	
CR9-10		Zener Diode 1N763	PSI	837906	
Q1-9		Transistors	Motorola		
Q10-11			{ 2N1557	GE	838508
Q12-16			{ 2N388	Motorola	
Q17-18			{ 2N555	Motorola	837470
		{ 2N1193			
R1-9	0.1 ohm	Resistor AS-2	IRC	838199-5	
R10	0.025 ohm		AMP	R-851266-1	
R11	0.04 ohm	RC42GF680J	AMP	R-851266-2	
R12-13	68 ohm		Ohmite	1-835033-5	
R14-15, R30-31	680 ohm			1-835033-6	
R16-17	470 ohm		RC42GF681J		
R18-19	1K ohm		RC32GF471J		
R20-21	100 ohm		RC32GF102J		
R22-23	1.5K ohm		RV6LAYSA101A		
R24-25	560 ohm		RC32GF152J		
R26-27, 34-35	330 ohm		RC42GF561J		
R28	0.5 ohm		RC32GF331J		
R29	100 ohm	1800A			
R32-33	150 ohm	RV6LAYSA101A			
		Resistor RW57G151	Ohmite	838548-6	
T1		Power Transformer	AMP	T-851266-1	

GE - General Electric  
 IRC - International Resistance  
 PSI - Pacific Semiconductors  
 TI - Texas Instruments

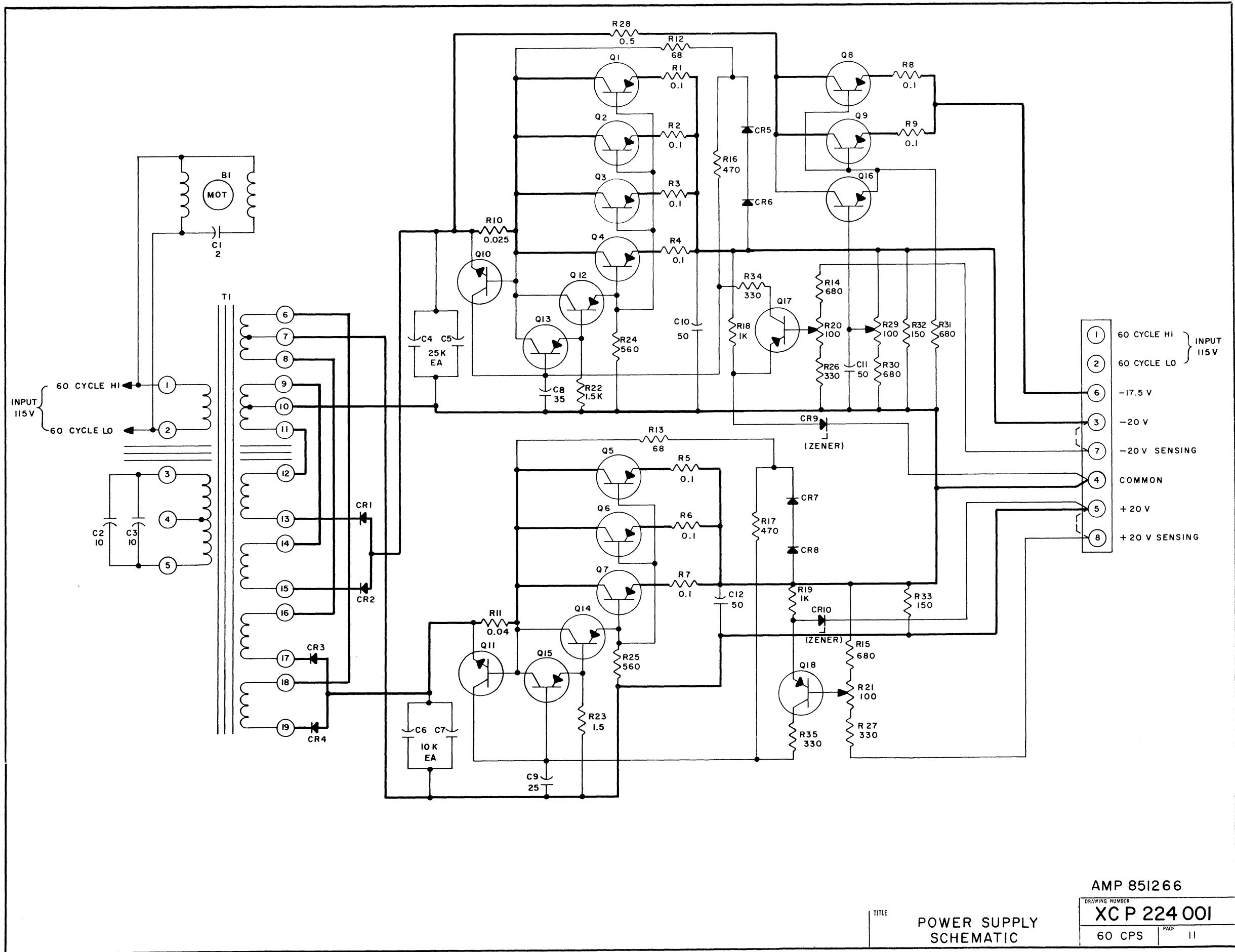


TRANSISTOR LAYOUT AND SYMBOLS

AMP 851266

TITLE  
 POWER SUPPLY  
 PARTS LIST & LAYOUT

DRAWING NUMBER  
**XC P 224002**  
 60 CPS PAGE 10



AMP 851266

TITLE  
POWER SUPPLY  
SCHEMATIC

DRAWING NUMBER	
XC P 224 001	
60 CPS	PAGE 11



COMMENT SHEET

Control Data 168-2 Arithmetic Unit  
Customer Engineering Diagrams

Pub. No. 60023900

FROM NAME : \_\_\_\_\_

BUSINESS  
ADDRESS : \_\_\_\_\_

COMMENTS: (DESCRIBE ERRORS, SUGGESTED ADDITION OR  
DELETION AND INCLUDE PAGE NUMBER, ETC.)

CUT ALONG LINE

NO POSTAGE STAMP NECESSARY IF MAILED IN U. S. A.  
FOLD ON DOTTED LINES AND STAPLE

COMMENT SHEET

Control Data 168-2 Arithmetic Unit  
Customer Engineering Diagrams

Pub. No. 60023900

FROM NAME : \_\_\_\_\_

BUSINESS  
ADDRESS : \_\_\_\_\_

COMMENTS: (DESCRIBE ERRORS, SUGGESTED ADDITION OR  
DELETION AND INCLUDE PAGE NUMBER, ETC.)

CUT ALONG LINE

NO POSTAGE STAMP NECESSARY IF MAILED IN U. S. A.  
FOLD ON DOTTED LINES AND STAPLE

FOLD

FOLD

FOLD

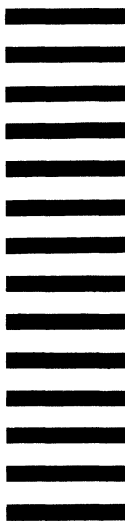
FOLD

FIRST CLASS  
 PERMIT NO. 8241  
 MINNEAPOLIS, MINN.

**BUSINESS REPLY MAIL**  
 NO POSTAGE STAMP NECESSARY IF MAILED IN U.S.A.

POSTAGE WILL BE PAID BY  
 CONTROL DATA CORPORATION  
 8100 34TH AVENUE SOUTH  
 MINNEAPOLIS 20, MINNESOTA

ATTN: TECHNICAL PUBLICATIONS DEPT.  
 COMPUTER DIVISION  
 PLANT TWO



CUT ALONG LINE

FOLD

FOLD

FOLD

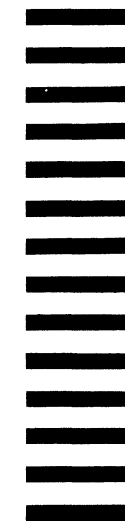
FOLD

FIRST CLASS  
 PERMIT NO. 8241  
 MINNEAPOLIS, MINN.

**BUSINESS REPLY MAIL**  
 NO POSTAGE STAMP NECESSARY IF MAILED IN U.S.A.

POSTAGE WILL BE PAID BY  
 CONTROL DATA CORPORATION  
 8100 34TH AVENUE SOUTH  
 MINNEAPOLIS 20, MINNESOTA

ATTN: TECHNICAL PUBLICATIONS DEPT.  
 COMPUTER DIVISION  
 PLANT TWO



CUT ALONG LINE