

B5500 INPUT/OUTPUT

Logic Schematics

LOGIC SCHEMATIC

30

		INPUT	0	1	2	3	4	5	6	7	8	9	OUTPUT
PAGE NO.													
TITLE OF DRAWING													
DRAWING NO.													
DELETE	63.01.25.0	HOLDOVER FF-HOLF AND CAG035											H-11202330AB
ADD	63.01.25.0	HOLDOVER FF-HOLF AND CAG035											H-11202330AC
DELETE	63.01.31.0	JUMP TO SEQUENCE COUNT 11 DR AND PROD-01 AND 02											H-11202405AB
ADD	63.01.31.0	JUMP TO SEQUENCE COUNT 11 DR AND PROD-01 AND 02											H-11202405AC
DELETE	63.01.35.0	LONGITUDNAL PARITY FF-LPPF CAG 037-038-039											H-11202447AB
ADD	63.01.35.0	LONGITUDNAL PARITY FF-LPPF CAG 037-038-039											H-11202447AC
DELETE	63.01.46.0	OUTPUT DRIVER 027D											H-11202553AA
ADD	63.01.46.0	OUTPUT DRIVER 027D											H-11202553AB
DELETE	63.01.49.2	PULSE COUNTER FREQUENCY SELECTION											H-11204245AB
ADD	63.01.49.2	PULSE COUNTER FREQUENCY SELECTION											H-11204245AC
DELETE	63.01.56.0	SEQUENCE CTR-EQ-12-13-14-15 OUTPUTS											H-11202686AC
ADD	63.01.56.0	SEQUENCE CTR-EQ-12-13-14-15 OUTPUTS											H-11202686AD
DELETE	63.03.01.0	END OF PAGE SW'S AND D TO OB DR											H-11202942AC
ADD	63.03.01.0	END OF PAGE SW'S AND D TO OB DR											H-11202942AD
DELETE	63.03.15.0	TAPE SKEW FF'S SHOF-SKFF											H-11203080AA
ADD	63.03.15.0	TAPE SKEW FF'S SHOF-SKFF											H-11203080AB
DELETE	63.04.06.0	W REGISTER FF'S W19F-W20F-W21F-W22F											H-11203163AA
ADD	63.04.06.0	W REGISTER FF'S W19F-W20F-W21F-W22F											H-11203163AB
DELETE	63.04.10.0	W REGISTER FF'S W35F-W36F-W37F-W38F											H-11203205AA
ADD	63.04.10.0	W REGISTER FF'S W35F-W36F-W37F-W38F											H-11203205AB
DELETE	63.04.13.0	W REGISTER FF'S W46F-W47F-W48F											H-11203239AB
ADD	63.04.13.0	W REGISTER FF'S W46F-W47F-W48F											H-11203239AC
DELETE	63.04.25.2	D REGISTER FF D19F AND SWITCH CC1S'											H-11203379AB
ADD	63.04.25.2	D REGISTER FF D19F AND SWITCH CC1S'											H-11203379AC
DELETE	63.04.28.2	D REGISTER FF D21F											H-11203411AB
ADD	63.04.28.2	D REGISTER FF D21F											H-11203411AC
DELETE	63.04.29.0	D REGISTER FF'S D22F-D24F											H-11203429AA
ADD	63.04.29.0	D REGISTER FF'S D22F-D24F											H-11203429AB
DELETE	63.04.31.0	D REGISTER FF D26F											H-11203452AA
ADD	63.04.31.0	D REGISTER FF D26F											H-11203452AB
DELETE	63.04.35.0	D REGISTER FF D33F											H-11203502AC
ADD	63.04.35.0	D REGISTER FF D33F											H-11203502AD
DELETE	63.04.36.0	D REGISTER FF'S D36F-D37F-D38F-CAG092											H-11203528AC
ADD	63.04.36.0	D REGISTER FF'S D36F-D37F-D38F-CAG092											H-11203528AD
DELETE	63.09.02.0	IMCF RECF REMF 1MCD 246D 246D' MS10D											H-11203692AB
ADD	63.09.02.0	IMCF RECF REMF 1MCD 246D 246D' MS10D											H-11203692AC
DELETE	63.94.15.0	INTER FRAME JUMPERS											H-11204286AB
ADD	63.94.15.0	INTER FRAME JUMPERS											H-11204286AC
DELETE	63.94.16.0	INTER FRAME JUMPERS											H-11204296AA
ADD	63.94.16.0	INTER FRAME JUMPERS											H-11204296AB
DELETE	63.96.02.5	[=0 INPUT LINES (3-)] (PAGE 3 OF 3)											H-11203874AB
ADD	63.96.02.5	[=0 INPUT LINES (3-)] (PAGE 3 OF 3)											H-11203874AC

ELECTRODATA M & E DIVISION	Burroughs Corporation 	PASADENA CALIFORNIA
PROPERTY OF BURROUGHS CORPORATION. NOT TO BE REPRODUCED, NOR USED FOR MANUFACTURING PURPOSES, EXCEPT ON BURROUGHS ORDER OR PRIOR WRITTEN CONSENT.		

U 2	TITLE SCHEMATIC CHANGE INDEX	H- 11201720AE
U 4	DRAWN BY	CHECKED BY
U 6	UNIT NAME INPUT-OUTPUT CONTROL UNIT MODEL 3	UNIT NO. 16303125
U 8	SYSTEM 89500	PAGE NO. 01 CONT.

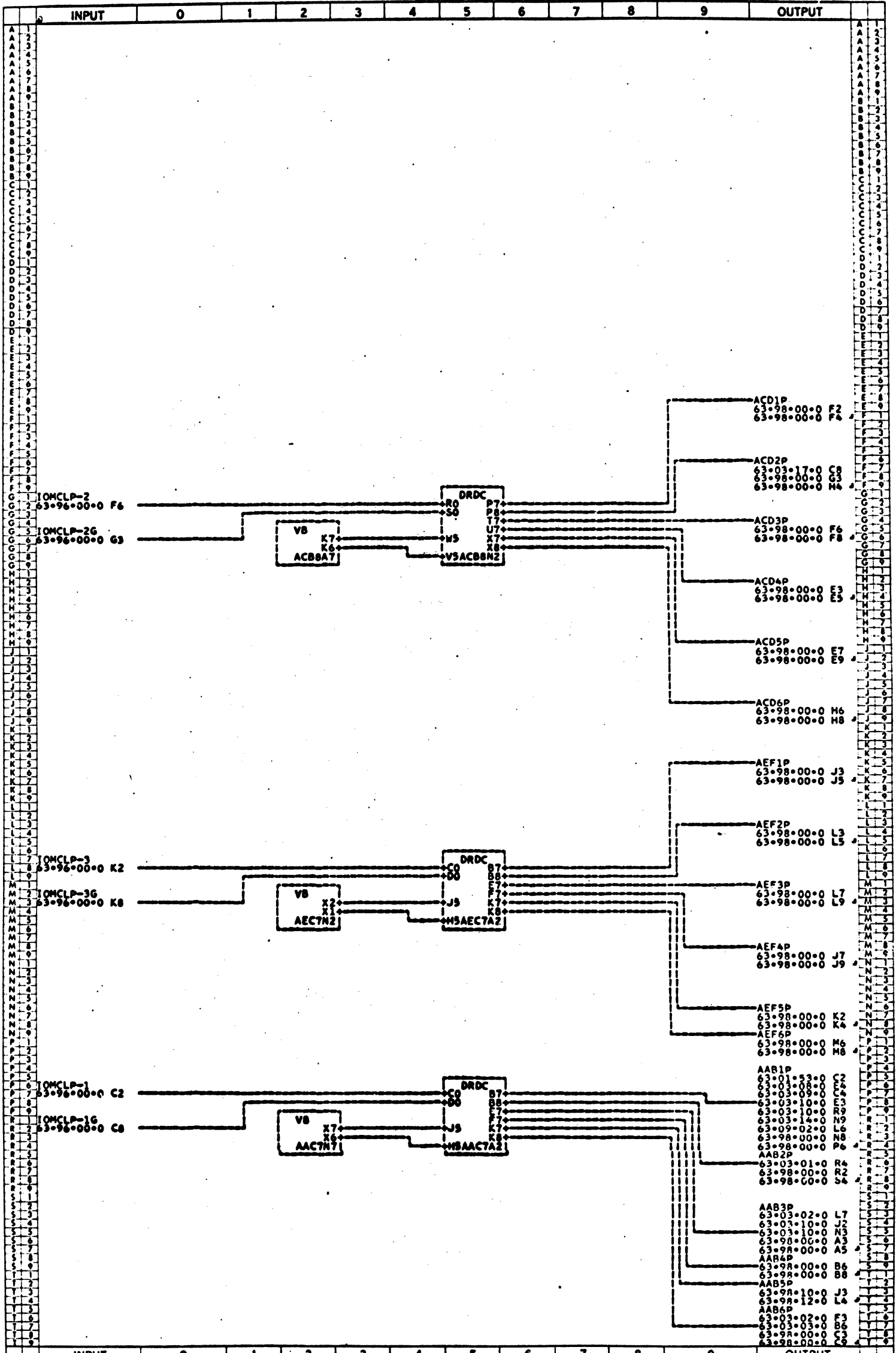
LOGIC SCHEMATIC

INPUT	0	1	2	3	4	5	6	7	8	9	OUTPUT		
TITLE OF DRAWING											DRAWING NO.	PAGE NO.	
A	1	I-0 INPUT LINES (3-1) (PAGE 1 OF 3)										M-11203858AA	63-96-01-0
A	2	I-0 INPUT LINES (3-1) (PAGE 2 OF 3)										M-11203866AB	63-96-02-0
A	3	+20 VOLT DISTRIBUTION RACK A										M-11204047AA	63-96-18-0
A	4	-1-2 VOLT DISTRIBUTION RACK A										M-11204054AA	63-96-19-0
A	5	-12 VOLT DISTRIBUTION RACK A										M-11204070AA	63-96-21-0
A	6	-4-5 VOLT DISTRIBUTION RACK A										M-11204062AA	63-96-20-0
A	7	ADDRESS COUNTER OUTPUTS										M-11202090AA	63-01-01-1
A	8	ADDRESS COUNTER OUTPUTS										M-11202108AA	63-01-01-5
A	9	ADDRESS OVERFLOW FF -AOFF										M-11202116AA	63-01-02-0
A	1	CAGS 070-071-072-073-074-075-076										M-11202751AA	63-01-63-1
A	2	CAG0B3-113-114-115-116-117-118-119										M-11202181AB	63-01-09-1
A	3	CAG090-CAG091-D15S-D15F-D15S										M-11203320AA	63-04-21-6
A	4	CARD PUNCH OPERATE DR'S INQUIRY DR'S 1-2 CAG 54										M-11202900AB	63-02-01-2
A	5	CARD READ AND PUNCH OPERATE SW										M-11202892AA	63-02-01-0
A	6	CHARACTER COUNTER CAG'S										M-11202124AA	63-01-03-0
A	7	CHARACTER COUNTER DRIVERS										M-11202165AA	63-01-07-0
A	8	CHARACTER COUNTER FF-CC1F										M-11202132AB	63-01-04-0
A	9	CHARACTER COUNTER FF-CC2F AND UBZS - UBZS'										M-11202140AB	63-01-05-0
A	1	CHARACTER COUNTER FF-CC4F										M-11202157AB	63-01-06-0
A	2	CHARACTER COUNTER OUTPUTS										M-11202173AA	63-01-08-0
A	3	CHARACTER CTR +1 DR -1 DR AND IN-OUT W SHIFT SW										M-11202298AA	63-01-22-0
A	4	CHARACTER CTR DRIVER INPUTS										M-11202280AA	63-01-21-1
A	5	CHARACTER CTR SET TO 0										M-11202256AA	63-01-18-0
A	6	CLEAR D-CLEAR I O-W TO D-D TO W DRIVERS										M-11202249AA	63-01-17-0
A	7	CLEAR IB AND SET IB DRIVERS										M-11202223AA	63-01-15-0
A	8	CLEAR W REGISTER SWITCH CWRS'										M-11202264AA	63-01-19-5
A	9	CLEAR WB AND WB INPUT DRIVERS										M-11202231AA	63-01-16-0
A	1	CLOCK CONNECTORS										M-11203841AA	63-96-00-0
A	2	CLOCK TERMINATING RESISTORS										M-11204161AB	63-98-00-0
A	3	COMPLIMENT 2'S										M-11202199AA	63-01-12-0
A	4	COMPLIMENT 4'S-8'S										M-11202207AA	63-01-13-0
A	5	CPDD										M-11203619AA	63-05-04-6
A	6	CPDD-02 AND 03 INPUTS										M-11203593AA	63-05-04-4
A	7	CWRS-01 CWRS-02 DRCS'										M-11202272AB	63-01-20-5
A	8	D REGISTER CAG'S 010-011-015-016										M-11203304AA	63-04-20-0
A	9	D REGISTER CAG'S 022-032										M-11203486AA	63-04-33-0
A	1	D REGISTER CAG'S 3-20-21-49-57-84-93										M-11203403AB	63-04-27-0
A	2	D REGISTER DIDS - DIDS'										M-11203445AB	63-04-30-1
A	3	D REGISTER DR'S AND SW'S D24S' D24S' D24D' D24D'										M-11203437AA	63-04-29-5
A	4	D REGISTER DRIVERS D27D-D27D'-01-02-03										M-11203478AA	63-04-32-2
A	5	D REGISTER FF D16F										M-11203338AA	63-04-22-0
A	6	D REGISTER FF D17F										M-11203346AA	63-04-23-1
A	7	D REGISTER FF D18F										M-11203353AA	63-04-24-0
A	8	D REGISTER FF D19F AND SWITCH CC1S'										M-11203379AC	63-04-25-2
A	9	D REGISTER FF D20F										M-11203387AA	63-04-26-1
A	1	D REGISTER FF D21F										M-11203411AC	63-04-28-2
A	2	D REGISTER FF D26F										M-11203452AB	63-04-31-0
A	3	D REGISTER FF D33F										M-11203502AD	63-04-35-0
A	4	D REGISTER FF D34F-D35F										M-11203510AB	63-04-35-5
A	5	D REGISTER FF-D20F-KCL										M-11203361AA	63-04-25-0
A	6	D REGISTER FF-D25F										M-11204260AC	63-04-30-0
A	7	D REGISTER FF'S D01F-D02F AND D01D-D02D DRIVERS										M-11203247AA	63-04-14-1
A	8	D REGISTER FF'S D03F-D04F AND D03D-D04D DRIVERS										M-11203254AA	63-04-15-0
A	9	D REGISTER FF'S D05F-D06F AND D05D-D06D DRIVERS										M-11203262AA	63-04-16-0
A	1	D REGISTER FF'S D07F-D08F AND D07D-D08D DRIVERS										M-11203270AA	63-04-17-0
A	2	D REGISTER FF'S D09F-D10F AND D09D-D10D DRIVERS										M-11203288AA	63-04-18-0
A	3	D REGISTER FF'S D11F-D12F AND D11D-D12D DRIVERS										M-11203296AA	63-04-19-0
A	4	D REGISTER FF'S D13F-D14F AND D13S-D14S										M-11203312AA	63-04-21-0
A	5	D REGISTER FF'S D22F-D24F										M-11203429AB	63-04-29-0
A	6	D REGISTER FF'S D27F-D30F										M-11203460AB	63-04-32-0
A	7	D REGISTER FF'S D31F-D32F										M-11203494AC	63-04-34-0
A	8	D REGISTER FF'S D36F-D37F-D38F-CAG092										M-11203528AD	63-04-36-0
A	9	D REGISTER FF'S D39F-D40F-D41F AND D41D DRIVERS										M-11203536AB	63-04-37-0
A	1	D REGISTER FF'S D42F-D43F-D44F-D45F AND D42D-D43D										M-11203544AA	63-04-38-0
A	2	D REGISTER 20JD DRIVER										M-11203395AA	63-04-26-2
A	3	DASD-DERS-DHSS-PTOS' PAPER TAPE READER DR										M-11202926AA	63-02-02-5
A	4	DIGIT SKEW MULTI'S										M-11202967AB	63-03-03-0
A	5	DRIVER BFOD SWITCH BFOS' AND CAG'S 088 089										M-11202884AA	63-01-80-0
A	6	DRIVERS EXJD AND BASD										M-11202306AA	63-01-23-4
A	7	END OF FILE AND GROUP MARK SWITCHES AND CAG050										M-11202983AA	63-03-05-0
INPUT											OUTPUT		
U 2	TITLE SCHEMATIC INDEX BY TITLE										M- 11201720AE	U 2	
U 4	DRAWN BY					CHECKED BY					ELECTRODATA M & E DIVISION	Burroughs Corporation PASADENA CALIFORNIA	U 4
U 6	UNIT NAME INPUT-OUTPUT CONTROL UNIT MODEL 3										UNIT NO. 16303125	PROPERTY OF BURROUGHS CORPORATION. NOT TO BE REPRODUCED, NOR USED FOR MANUFACTURING PURPOSES, EXCEPT ON BURROUGHS ORDER OR PRIOR WRITTEN CONSENT	U 6
U 8	SYSTEM B5500										PAGE NO. 06 CONT.		U 8

LOGIC SCHEMATIC

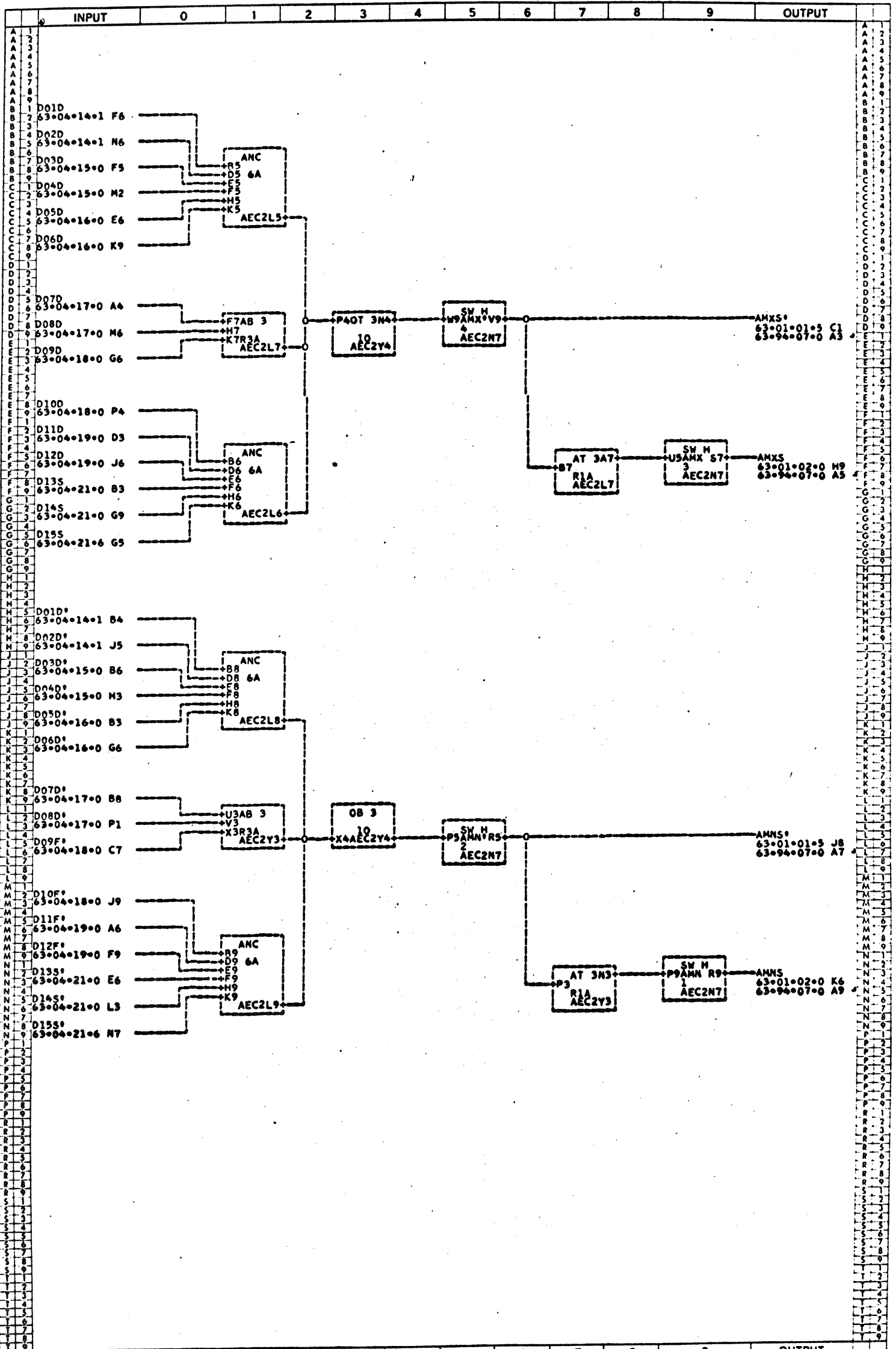
INPUT	0	1	2	3	4	5	6	7	8	9	OUTPUT		
	TITLE OF DRAWING												
	DRAWING NO.												
	PAGE NO.												
	W REGISTER FF'S W39F-W40F-W41F-W42F										M-11203213AA	63-04-11-0	
	W REGISTER FF'S W43F-W44F-W45F AND CAG049										M-11203221AA	63-04-12-0	
	W REGISTER FF'S W46F-W47F-W48F										M-11203239AC	63-04-13-0	
	W REGISTER 1 DRIVERS WR10-WR10'										M-11202819AA	63-01-73-0	
	W REGISTER 2 DRIVERS WR20-WR20'										M-11202827AA	63-01-74-0	
	W REGISTER 4 DRIVERS WR40-WR40'										M-11202835AA	63-01-75-0	
	W REGISTER 8 DRIVERS WR80-WR80'										M-11202843AA	63-01-76-0	
	WORD COUNTER +1 -1 EQUAL 10-10'										M-11202850AB	63-01-77-0	
	WORD COUNTER EQUAL 0 - 0' CAG077-078-079										M-11202868AA	63-01-77-5	
	WRITE BUFFER FF'S WB0F-WB0F' WB0F'										M-11203650AA	63-05-08-0	
	WRITE BUFFER FF'S WB0F-WB0F' WB0F-WB0F'										M-11203643AA	63-05-07-0	
	17JD DRIVER										M-11204278AC	63-04-23-2	
TRPS 63.03.03.0													
U 2	TITLE SCHEMATIC INDEX BY TITLE										M- 11201720AE		U 2
U 4	DRAWN BY			CHECKED BY									U 4
U 6	UNIT NAME INPUT-OUTPUT CONTROL UNIT MODEL 3										UNIT NO. 16303129		U 6
U 8	SYSTEM B5500										PAGE NO. 09 FINAL		U 8
				ELECTRODATA M & E DIVISION				Barrington Corporation PASADENA CALIFORNIA					
PROPERTY OF BARRINGTON CORPORATION. NOT TO BE REPRODUCED, NOR USED FOR MANUFACTURING PURPOSES, EXCEPT ON BARRINGTON ORDER OR PRIOR WRITTEN CONSENT.													

LOGIC SCHEMATIC



U 2	TITLE LOCAL CLOCK DRIVERS	M- 11202082A	ELECTRODATA M & E DIVISION	Burrhoughs Corporation	PASADENA CALIFORNIA
U 4	DRAWN BY R WILLIAMS 8 DEC 61	CHECKED BY R ENGLISH	PROPERTY OF BURROUGHS CORPORATION NOT TO BE REPRODUCED, NOR USED FOR MANUFACTURING PURPOSES, EXCEPT ON BURROUGHS ORDER OR PRIOR WRITTEN CONSENT.		
U 6	UNIT NAME INPUT-OUTPUT CONTROL UNIT MODEL 3				
U 8	SYSTEM B5500		PAGE NO. 63-01-00-00		

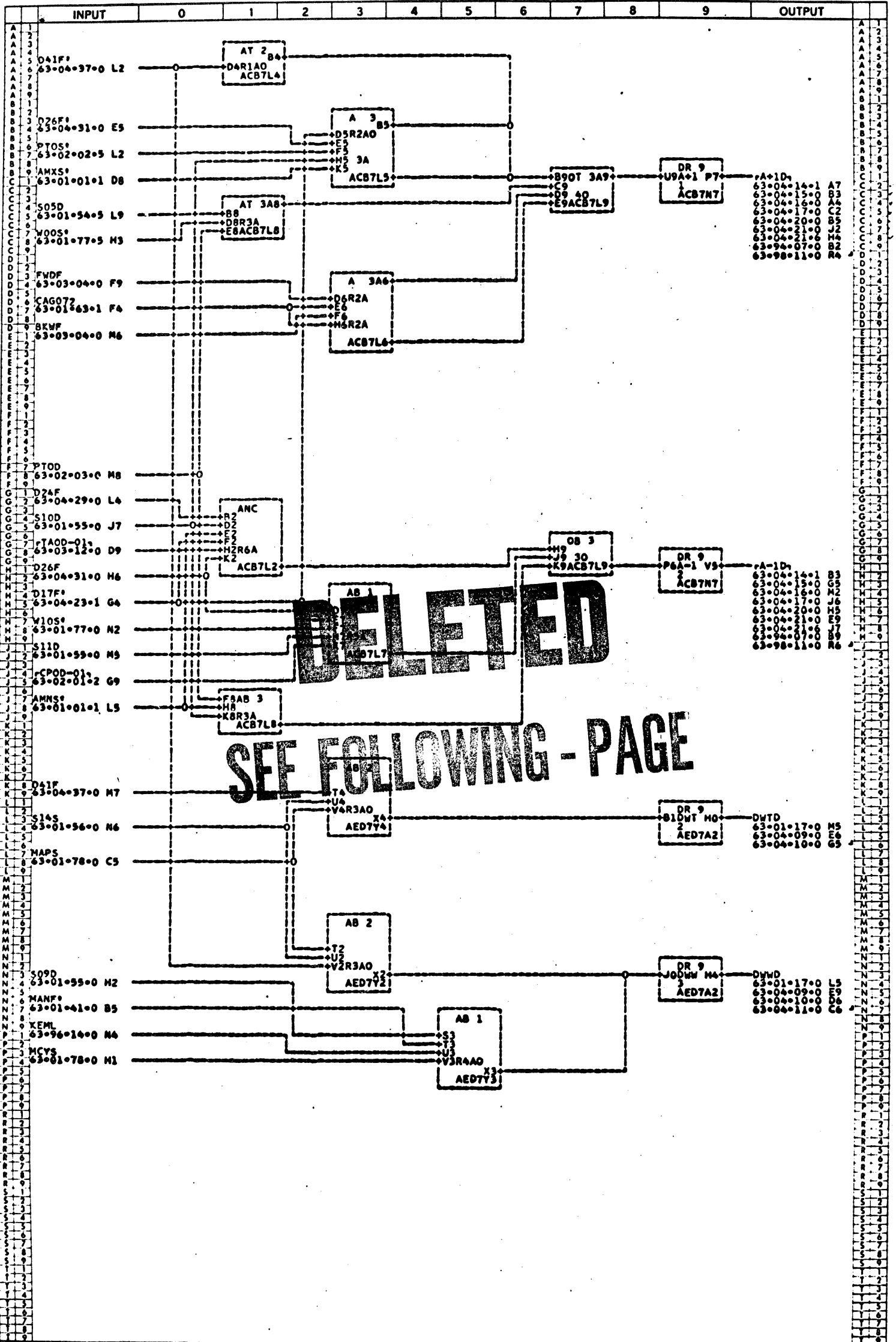
LOGIC SCHEMATIC



	INPUT	0	1	2	3	4	5	6	7	8	9	OUTPUT
U 2	TITLE ADDRESS COUNTER OUTPUTS											
U 4	DRAWN BY R W WENTZEL 11-24-61 CHECKED BY SNOODGRASS											
U 6	UNIT NAME INPUT-OUTPUT CONTROL UNIT MODEL 3											
U 8	SYSTEM 85900											

ELECTRODATA **Burroughs Corporation** PASADENA CALIFORNIA
 M & E DIVISION
 PROPERTY OF BURROUGHS CORPORATION. NOT TO BE REPRODUCED, NOR USED FOR MANUFACTURING PURPOSES, EXCEPT ON BURROUGHS ORDER OR PRIOR WRITTEN CONSENT.

LOGIC SCHEMATIC

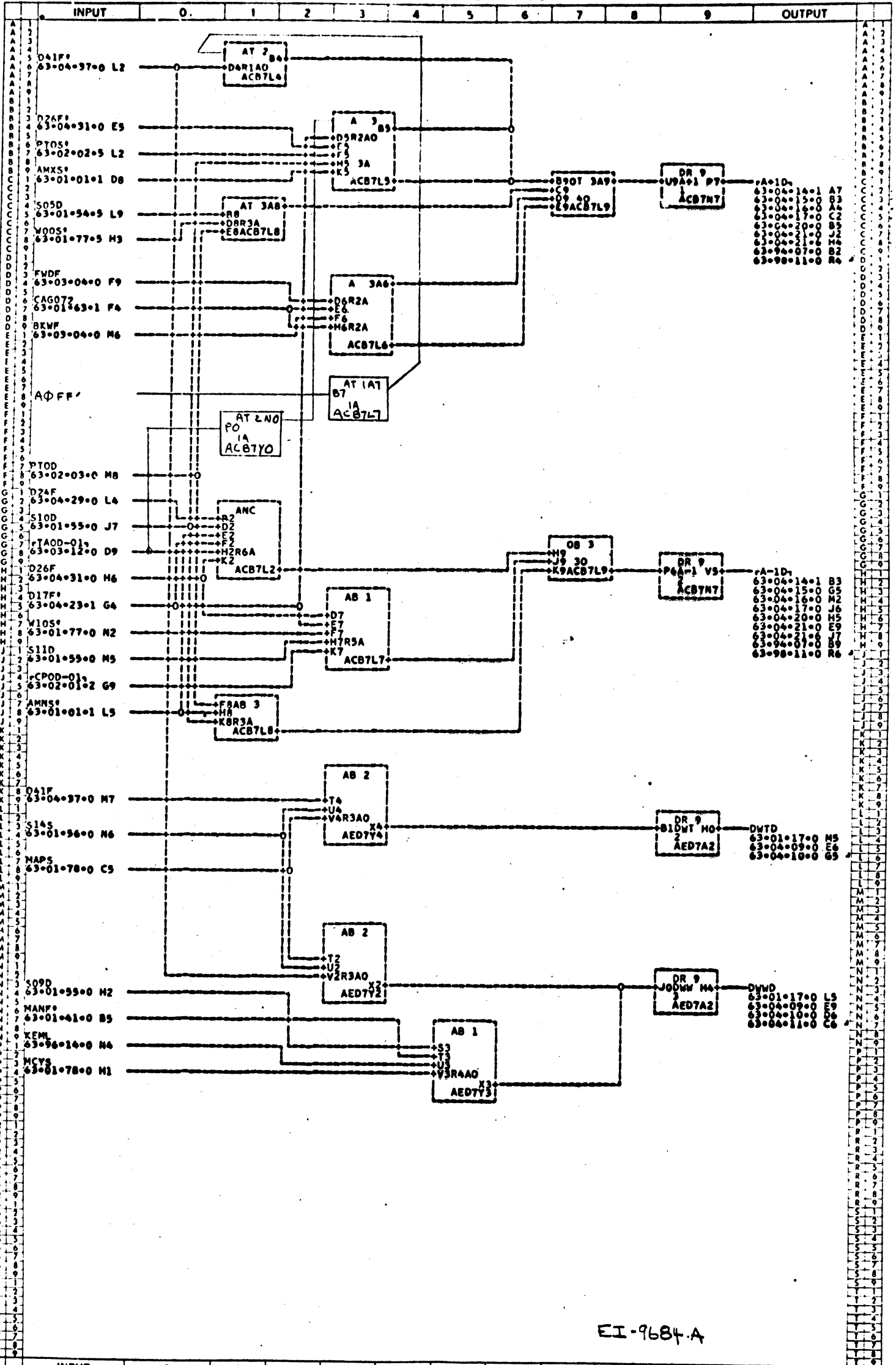


	INPUT	0	1	2	3	4	5	6	7	8	9	OUTPUT		
U 2	TITLE ADDRESS COUNTER OUTPUTS												N- 11202108A	U 2
U 4	DRAWN BY ZINES												CHECKED BY SNOODGRASS	U 4
U 6	UNIT NAME INPUT-OUTPUT CONTROL UNIT MODEL 3												UNIT NO. 16303125	U 6
U 8	SYSTEM 85900												PAGE NO. 63-01-01-9	U 8

ELECTRODATA **Burroughs Corporation** PASADENA CALIFORNIA
 M & E DIVISION **3**

PROPERTY OF BURROUGHS CORPORATION. NOT TO BE REPRODUCED, NOR USED FOR MANUFACTURING PURPOSES, EXCEPT ON BURROUGHS ORDER OR PRIOR WRITTEN CONSENT.

LOGIC SCHEMATIC

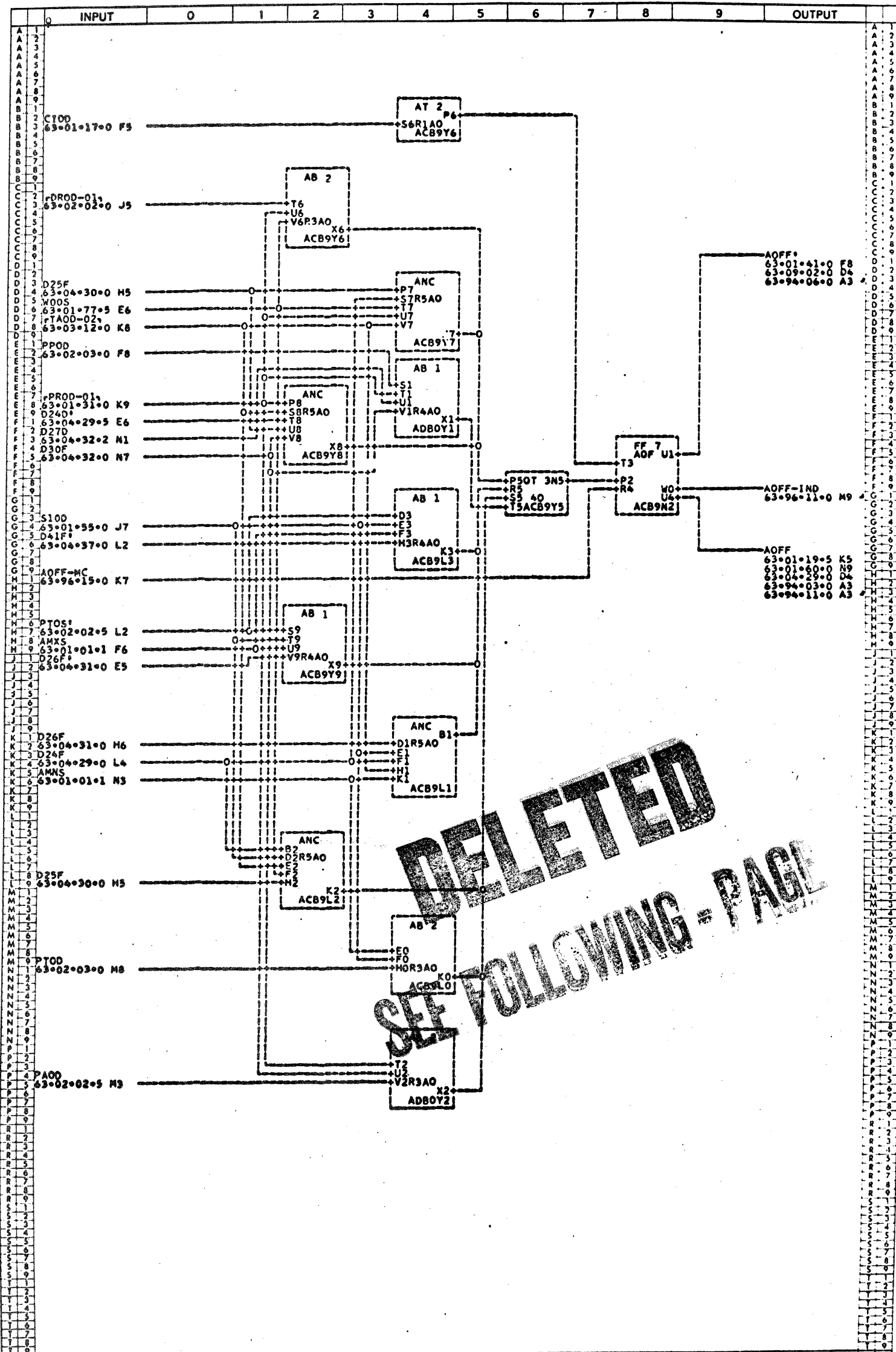


EI-9684A

U 2	TITLE	ADDRESS COUNTER OUTPUTS	H- 11202108AA	U 2	
U 4	DRAWN BY	ZINES	CHECKED BY	SNODGRASS	U 4
U 6	UNIT NAME	INPUT-OUTPUT CONTROL UNIT MODEL 3	UNIT NO.	16303125	U 6
U 8	SYSTEM	85900	PAGE NO.	63-01-01-9	U 8

ELECTRODATA **Burroughs Corporation** **PASADENA CALIFORNIA**
 M & E DIVISION
 PROPERTY OF BURROUGHS CORPORATION. NOT TO BE REPRODUCED, NOR USED FOR MANUFACTURING PURPOSES, EXCEPT ON BURROUGHS ORDER OR PRIOR WRITTEN CONSENT.

LOGIC SCHEMATIC

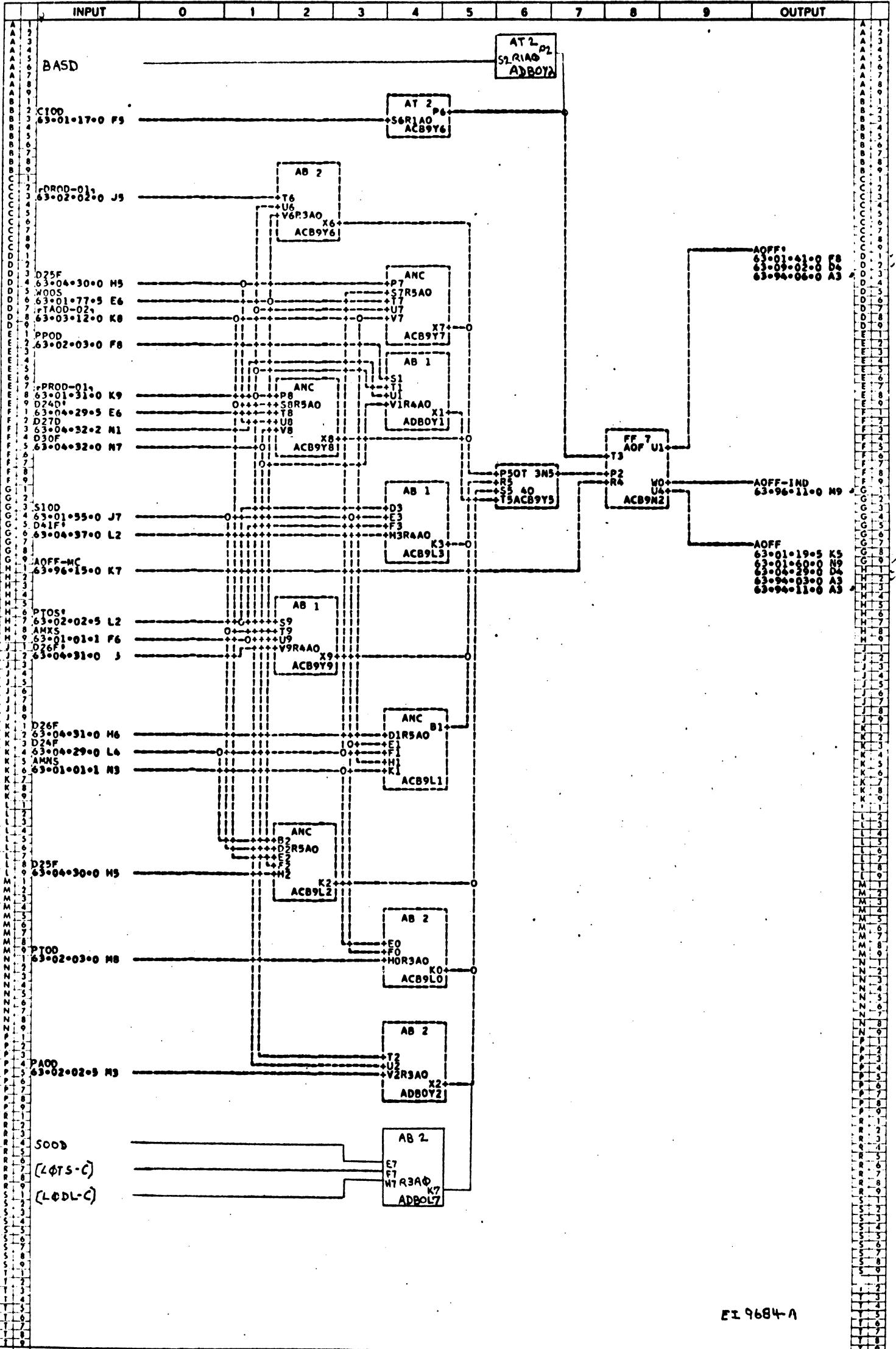


DELETED
SEE FOLLOWING PAGE

	INPUT	0	1	2	3	4	5	6	7	8	9	OUTPUT
U 2	TITLE ADDRESS OVERFLOW FF -AOFF											U 2
U 4	DRAWN BY R WILLIAMS 18 AUG 61 CHECKED BY SNOODGRASS JMZ 8-21-61											U 4
U 6	UNIT NAME INPUT-OUTPUT CONTROL UNIT MODEL 3											U 6
U 8	SYSTEM 85500											U 8

Burroughs Corporation
 ELECTRODATA M & E DIVISION PASADENA CALIFORNIA
PROPERTY OF BURROUGHS CORPORATION. NOT TO BE REPRODUCED, NOR USED FOR MANUFACTURING PURPOSES, EXCEPT ON BURROUGHS ORDER OR PRIOR WRITTEN CONSENT.

LOGIC SCHEMATIC

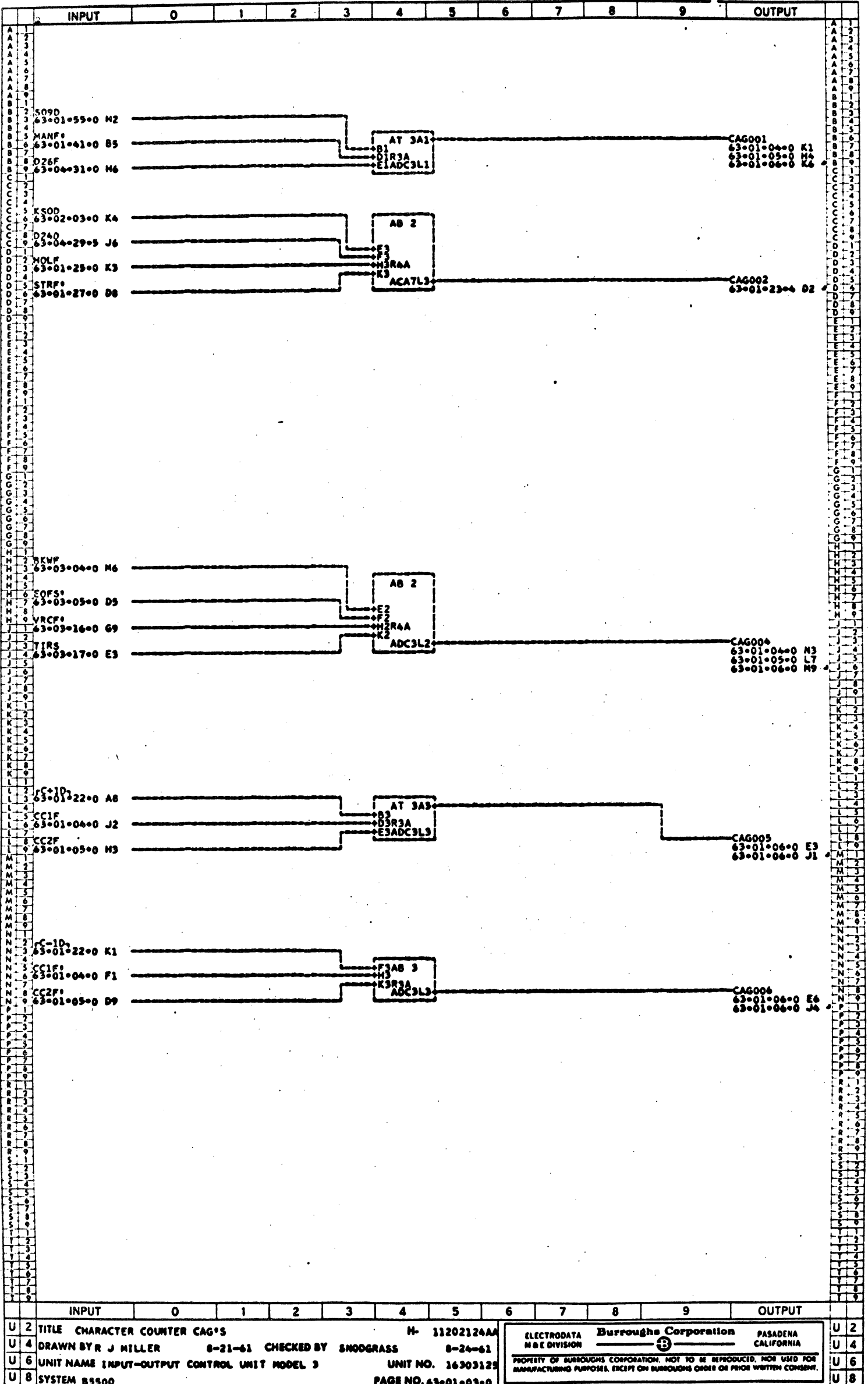


E1 9684-A

INPUT	0	1	2	3	4	5	6	7	8	9	OUTPUT
U 2	TITLE ADDRESS OVERFLOW FF -AOFF										U 2
U 4	DRAWN BY R WILLIAMS 18 AUG 61 CHECKED BY SNOODGRASS JMJ 8-21-61										U 4
U 6	UNIT NAME INPUT-OUTPUT CONTROL UNIT MODEL 3										U 6
U 8	SYSTEM B5500										U 8

Burrhoughs Corporation
 ELECTRODATA M&E DIVISION PASADENA CALIFORNIA
PROPERTY OF BURROUGHS CORPORATION. NOT TO BE REPRODUCED, NOR USED FOR MANUFACTURING PURPOSES, EXCEPT ON BURROUGHS ORDER OR PRIOR WRITTEN CONSENT.

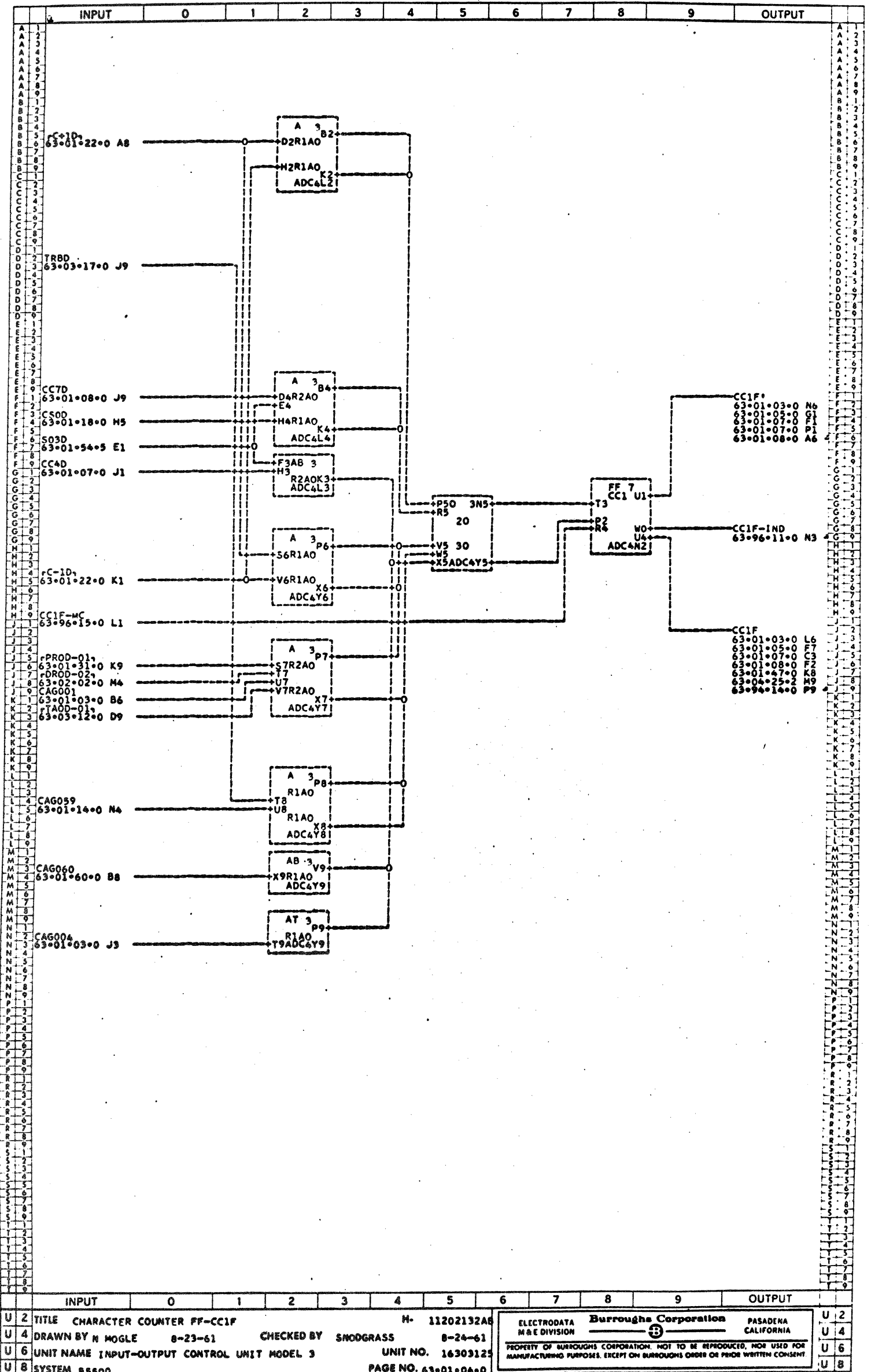
LOGIC SCHEMATIC



ELECTRODATA **Burroughs Corporation** **PASADENA CALIFORNIA**
 M & E DIVISION 3

PROPERTY OF BURROUGHS CORPORATION. NOT TO BE REPRODUCED, NOR USED FOR MANUFACTURING PURPOSES, EXCEPT ON BURROUGHS ORDER OR PRIOR WRITTEN CONSENT.

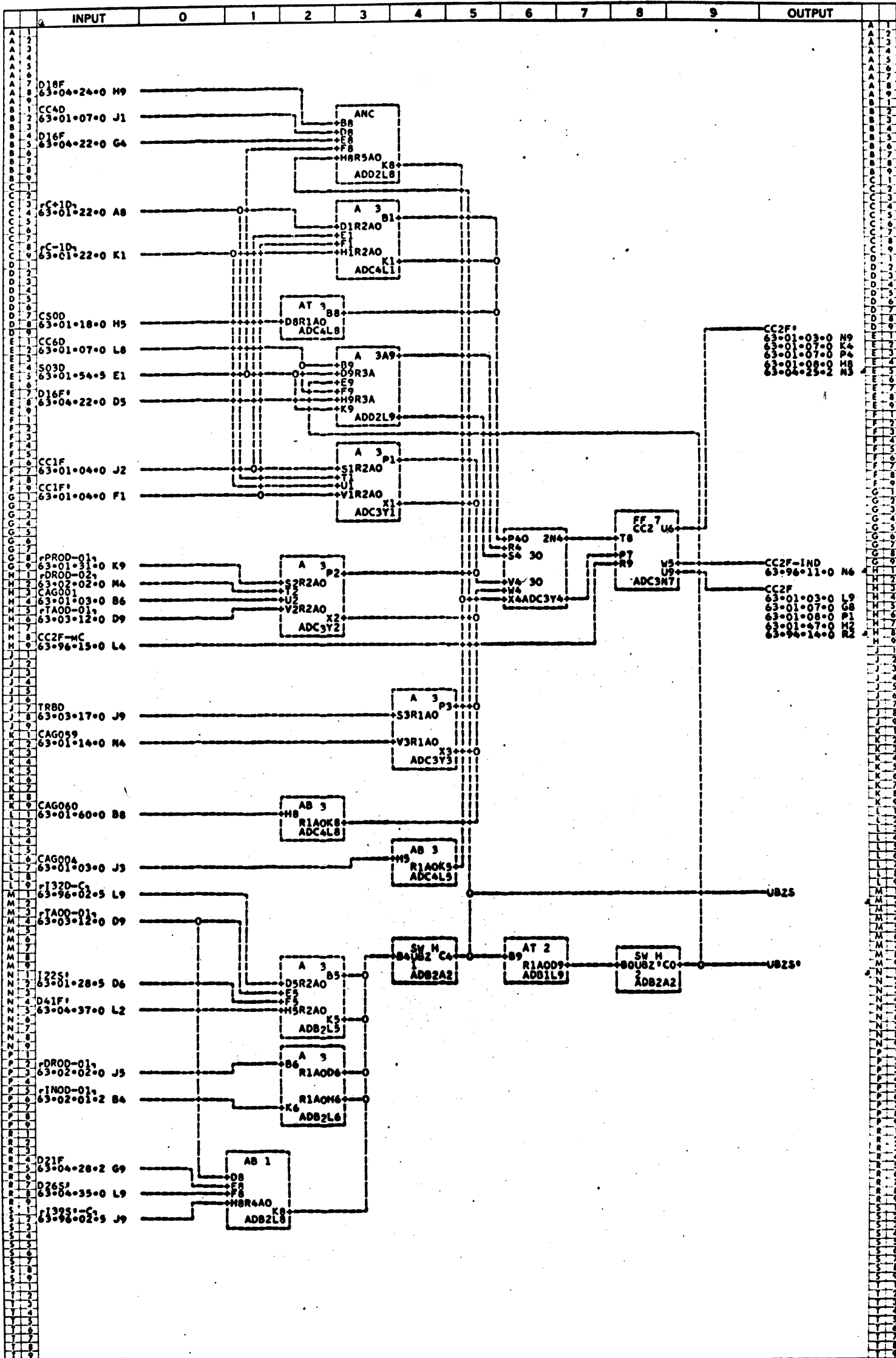
LOGIC SCHEMATIC



U 2	TITLE CHARACTER COUNTER FF-CC1F	H- 11202132A6	
U 4	DRAWN BY N MOGLE 8-23-61	CHECKED BY SNOOGRASS	8-24-61
U 6	UNIT NAME INPUT-OUTPUT CONTROL UNIT MODEL 3	UNIT NO. 16303125	
U 8	SYSTEM B5500	PAGE NO. 63-01-04-0	

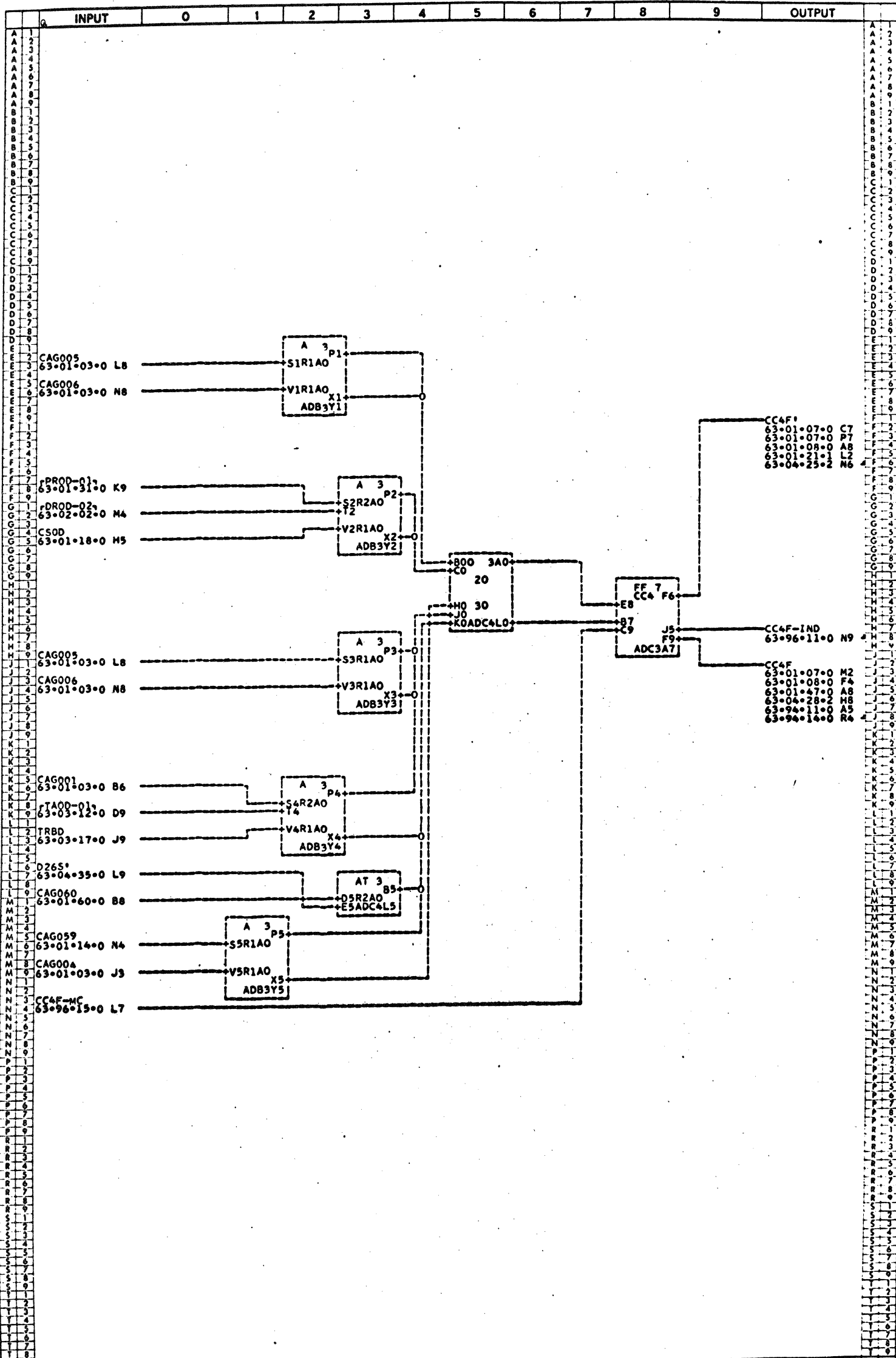
ELECTRODATA M & E DIVISION	Burroughs Corporation 	PASADENA CALIFORNIA
PROPERTY OF BURROUGHS CORPORATION. NOT TO BE REPRODUCED, NOR USED FOR MANUFACTURING PURPOSES, EXCEPT ON BURROUGHS ORDER OR PRIOR WRITTEN CONSENT.		

LOGIC SCHEMATIC



U 2	TITLE	CHARACTER COUNTER	FF-CC2F AND UB2S - UB2S	M- 11202140A5	ELECTRODATA	Burroughs Corporation	PASADENA CALIFORNIA	U 2
U 4	DRAWN BY	R WILLIAMS	21 AUG 61	CHECKED BY	SNOODGRASS	8-29-61		U 4
U 6	UNIT NAME	INPUT-OUTPUT CONTROL UNIT MODEL 3		UNIT NO.	16303125			U 6
U 8	SYSTEM	B5500		PAGE NO.	43201-03-0			U 8

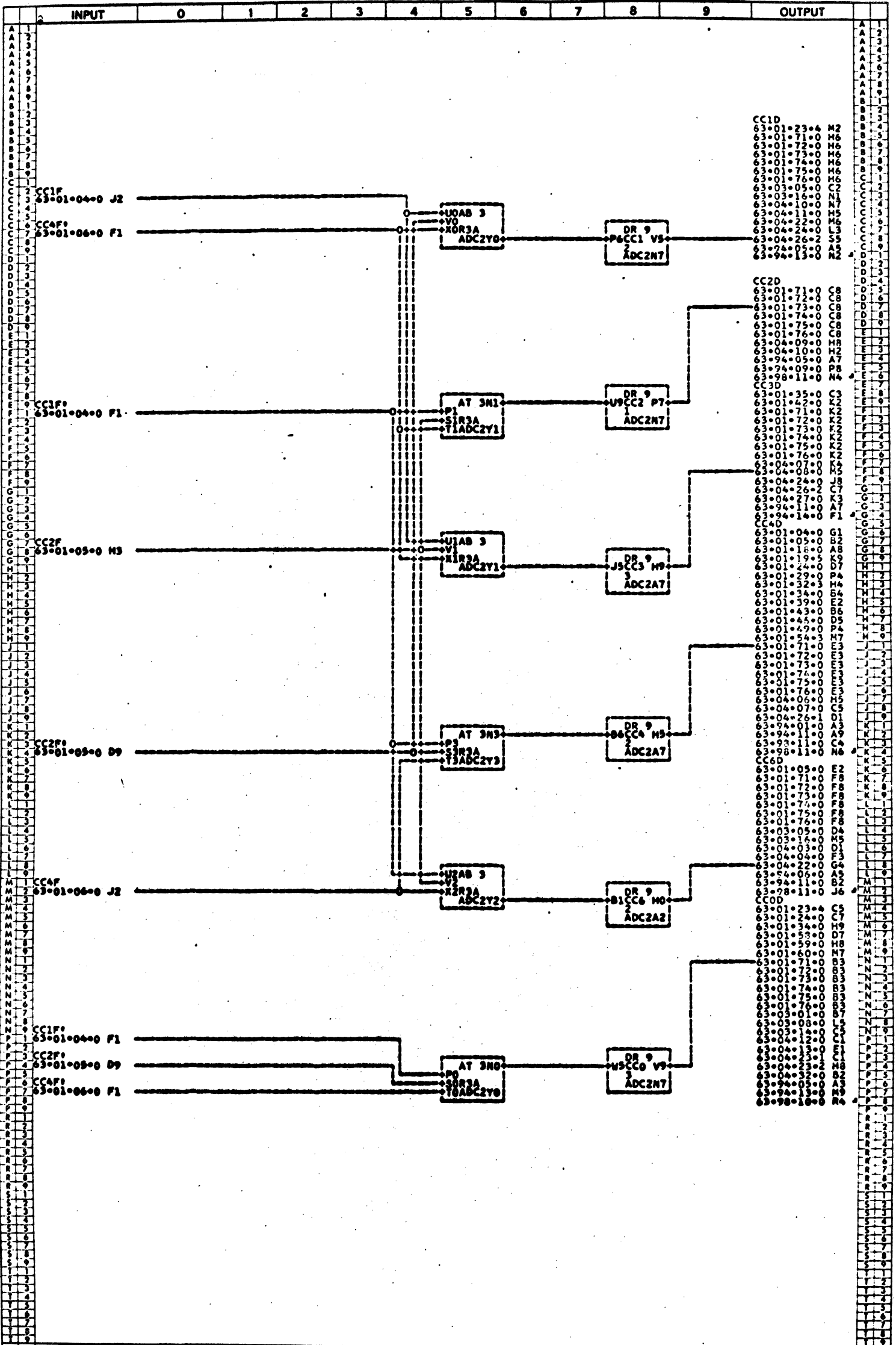
LOGIC SCHEMATIC



INPUT	0	1	2	3	4	5	6	7	8	9	OUTPUT
U 2	TITLE CHARACTER COUNTER FF-CC4F										U 2
U 4	DRAWN BY R J MILLER 8-21-61 CHECKED BY SNOGRASS 8-23-61										U 4
U 6	UNIT NAME INPUT-OUTPUT CONTROL UNIT MODEL 3										U 6
U 8	SYSTEM 85500										U 8

Burroughs Corporation
 PASADENA CALIFORNIA
 ELECTRODATA M&E DIVISION
 PROPERTY OF BURROUGHS CORPORATION. NOT TO BE REPRODUCED, NOR USED FOR MANUFACTURING PURPOSES, EXCEPT ON BURROUGHS ORDER OR PRIOR WRITTEN CONSENT.

LOGIC SCHEMATIC



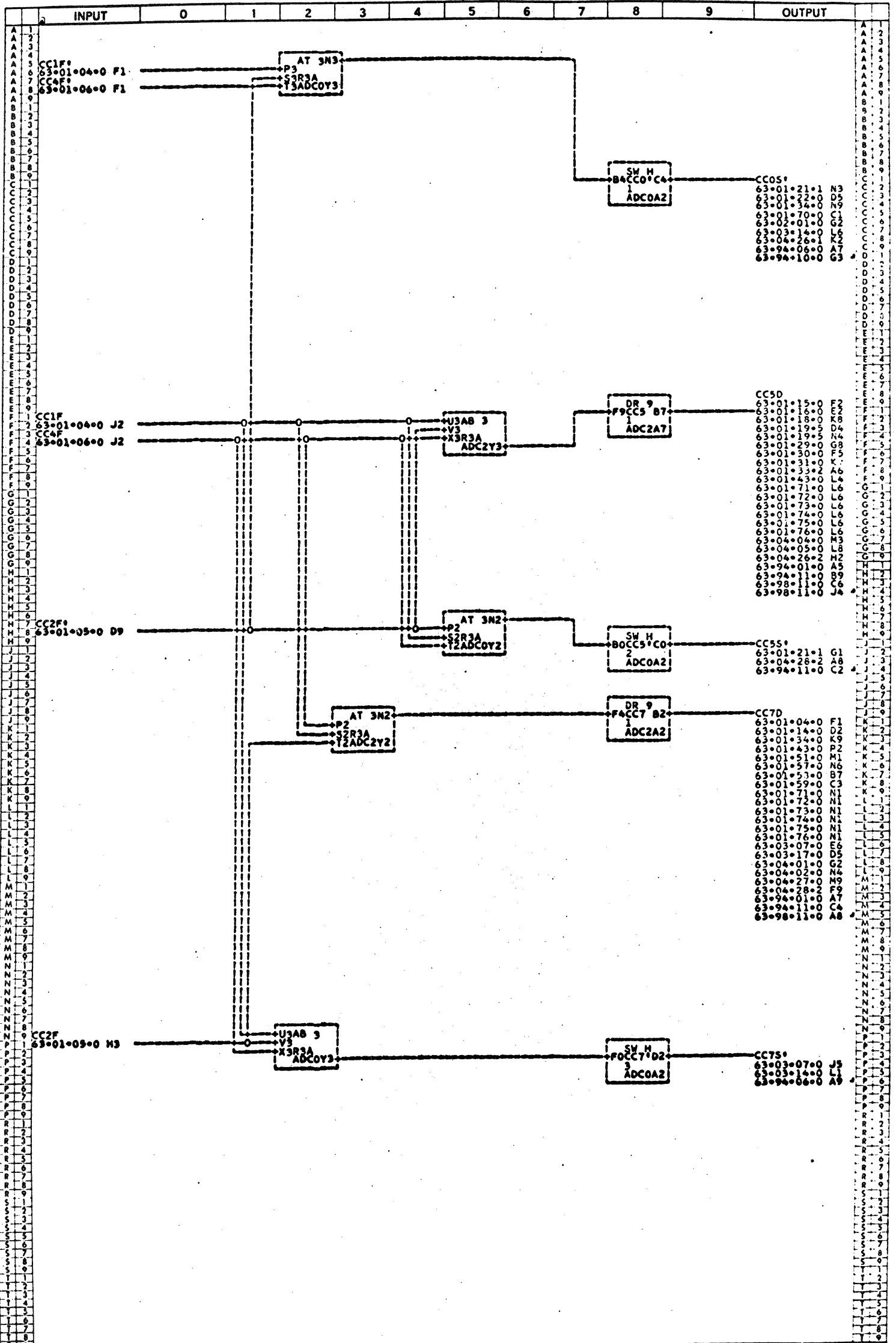
INPUT	0	1	2	3	4	5	6	7	8	9	OUTPUT	
U 2	TITLE CHARACTER COUNTER DRIVERS										M- 11202169AA	U 2
U 4	DRAWN BY R J MILLER 8-21-61										CHECKED BY SNODGRASS 8-23-61	U 4
U 6	UNIT NAME INPUT-OUTPUT CONTROL UNIT MODEL 3										UNIT NO. 16303125	U 6
U 8	SYSTEM B3300										PAGE NO. 63-01-07-0	U 8

ELECTRODATA **Burroughs Corporation** PASADENA CALIFORNIA

M & E DIVISION 3

PROPERTY OF BURROUGHS CORPORATION. NOT TO BE REPRODUCED, NOT USED FOR MANUFACTURING PURPOSES, EXCEPT ON BURROUGHS ORDER OR PRIOR WRITTEN CONSENT.

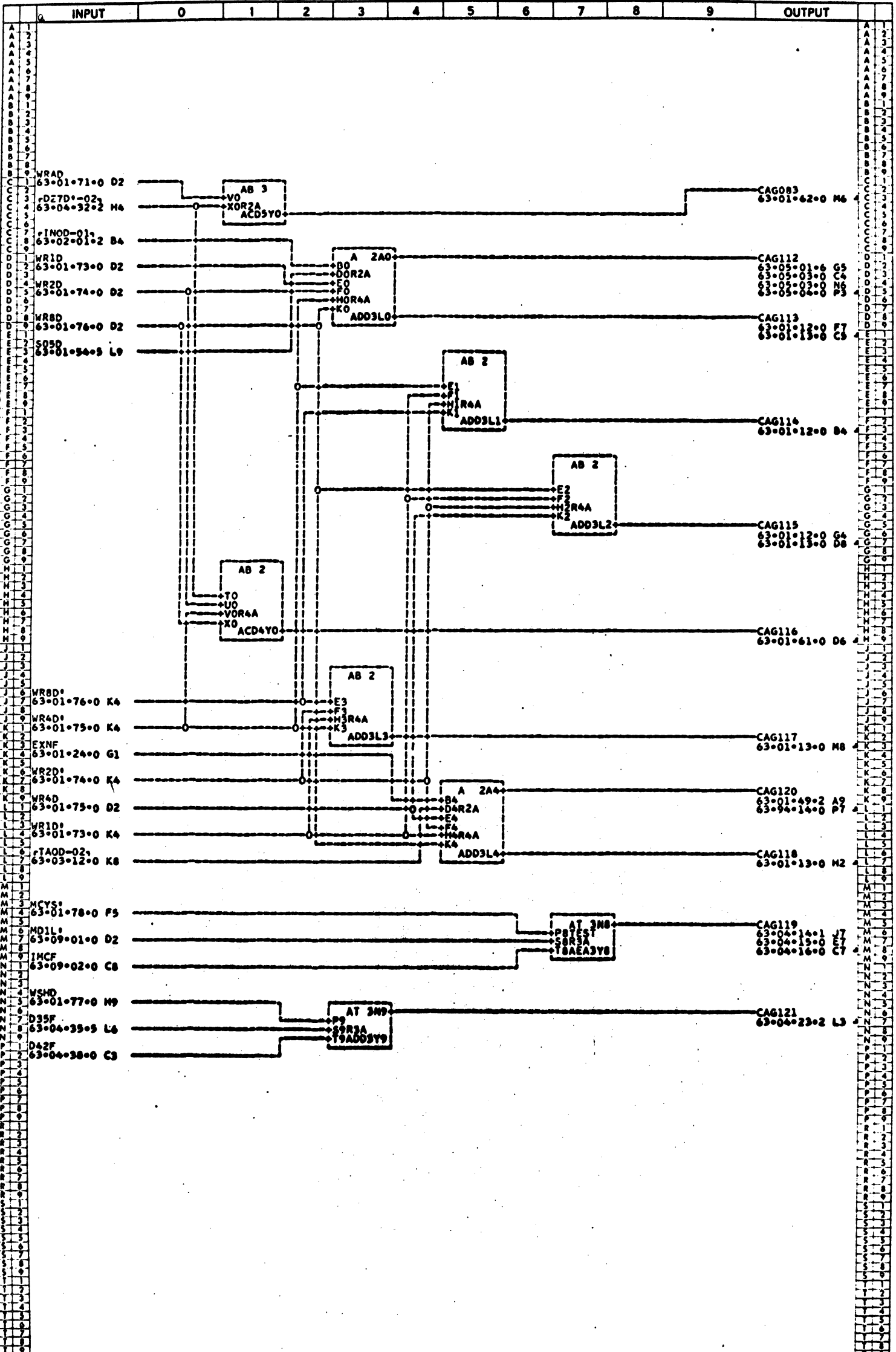
LOGIC SCHEMATIC



INPUT	0	1	2	3	4	5	6	7	8	9	OUTPUT		
U 2	TITLE CHARACTER COUNTER OUTPUTS										M- 11202173AA		
U 4	DRAWN BY R J MILLER										8-21-61	CHECKED BY SNODGRASS	8-23-61
U 6	UNIT NAME INPUT-OUTPUT CONTROL UNIT MODEL 3										UNIT NO. 16303125		
U 8	SYSTEM 85500										PAGE NO. 63-01-00R-0		

Burroughs Corporation
 ELECTRODATA M&E DIVISION PASADENA CALIFORNIA
 PROPERTY OF BURROUGHS CORPORATION. NOT TO BE REPRODUCED, NOR USED FOR MANUFACTURING PURPOSES, EXCEPT ON BURROUGHS ORDER OR PRIOR WRITTEN CONSENT.

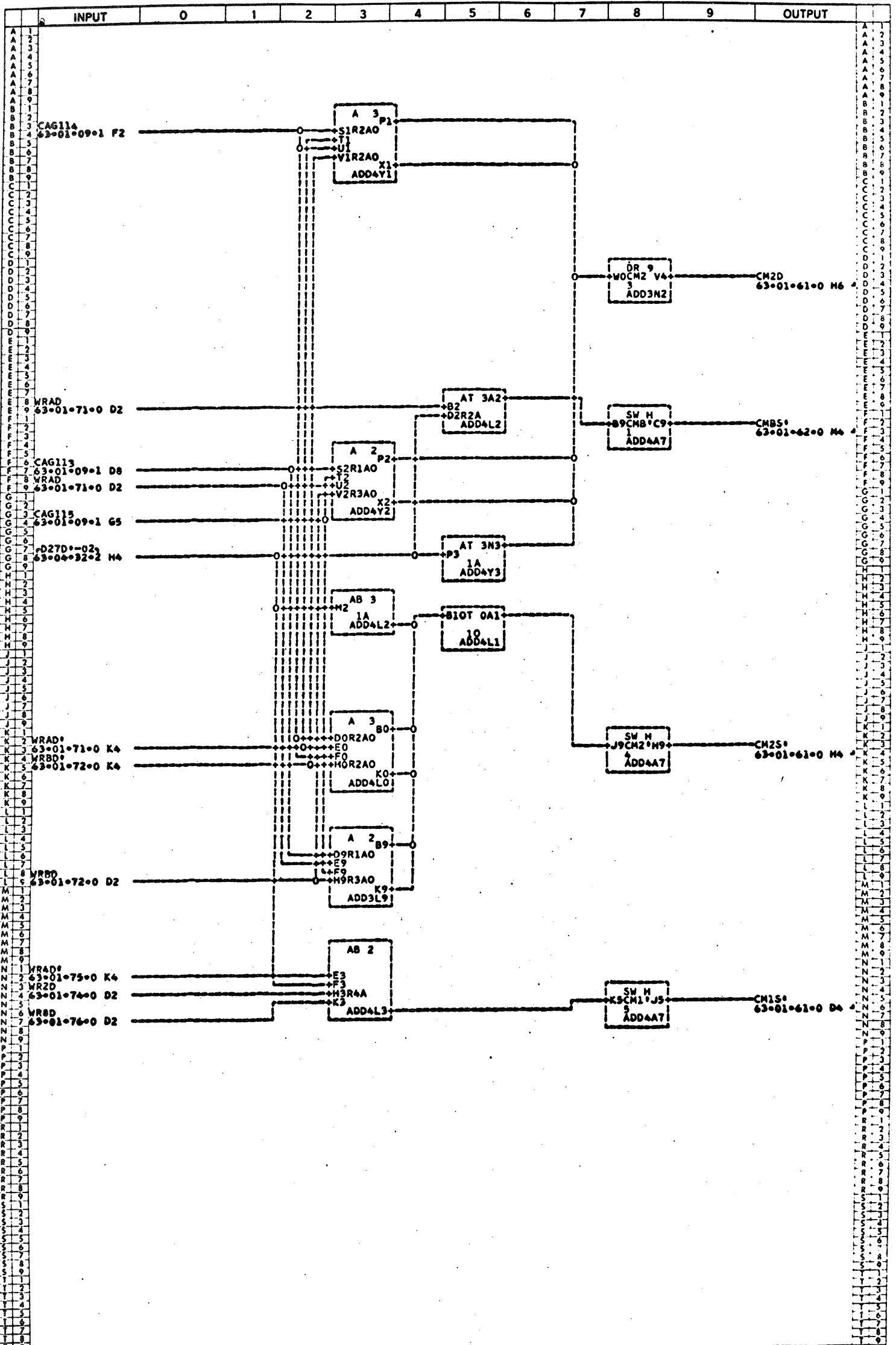
LOGIC SCHEMATIC



	INPUT	0	1	2	3	4	5	6	7	8	9	OUTPUT
U 2	TITLE CAG083-113-114-115-116-117-118-119 N- 1120181AE											
U 4	DRAWN BY S TOYER CHECKED BY SMOGRASS 11-30-61											
U 6	UNIT NAME INPUT-OUTPUT CONTROL UNIT MODEL 3 UNIT NO: 16303125											
U 8	SYSTEM B5500 PAGE NO. A3-01-00-01											

ELECTRODATA **Burroughs Corporation** PASADENA CALIFORNIA
PROPERTY OF BURROUGHS CORPORATION. NOT TO BE REPRODUCED, NOR USED FOR MANUFACTURING PURPOSES, EXCEPT ON BURROUGHS ORDER OR PRIOR WRITTEN CONSENT.

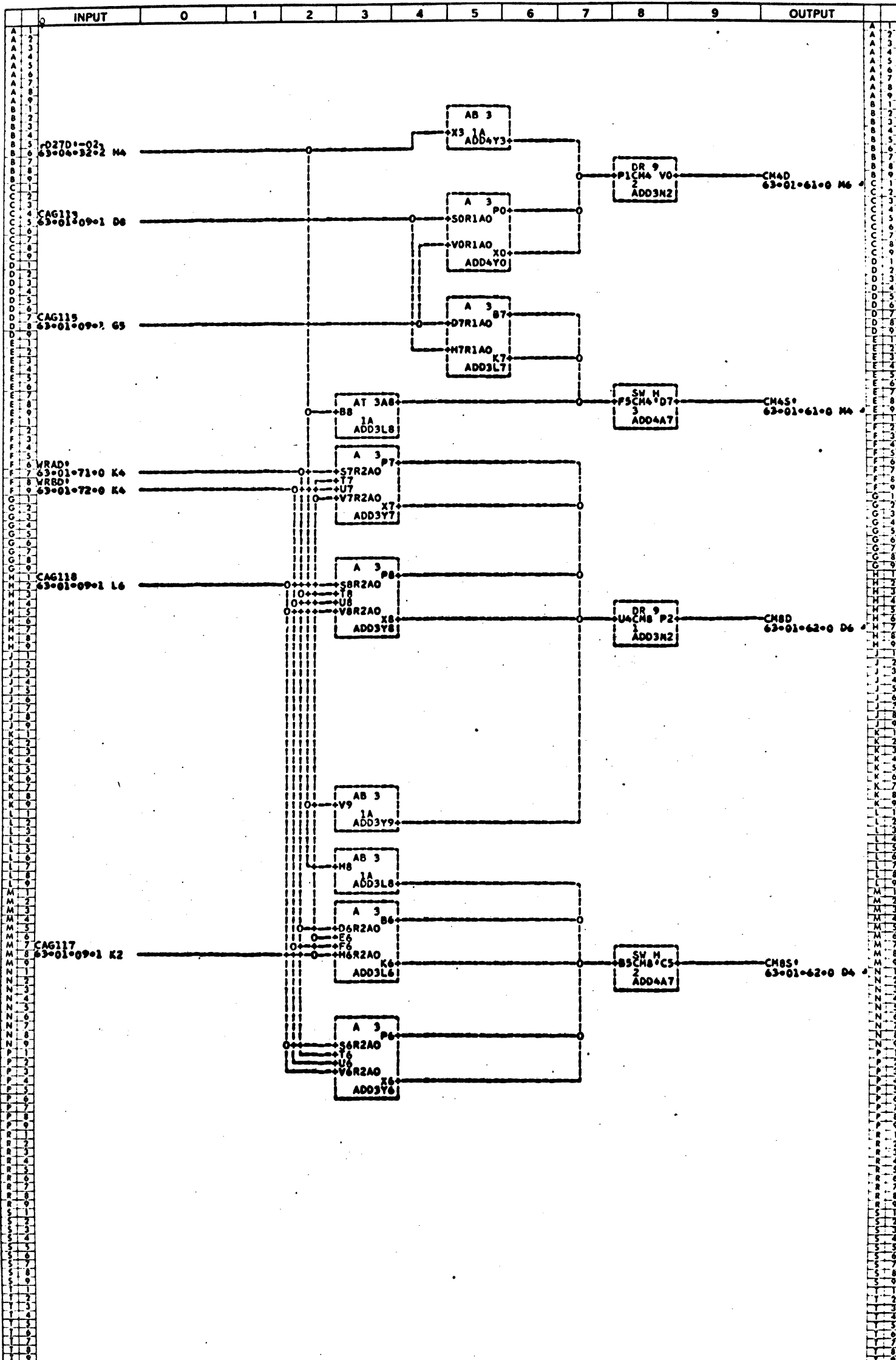
LOGIC SCHEMATIC



INPUT	0	1	2	3	4	5	6	7	8	9	OUTPUT
U 2	TITLE COMPLIMENT 206										U 2
U 4	DRAWN BY M NOGLE 8-24-61 CHECKED BY SNOODGRASS 8-25-61										U 4
U 6	UNIT NAME INPUT-OUTPUT CONTROL UNIT MODEL 3										U 6
U 8	SYSTEM 85500										U 8

ELECTRODATA M&E DIVISION **Burroughs Corporation** PASADENA CALIFORNIA
 PROPERTY OF BURROUGHS CORPORATION NOT TO BE REPRODUCED, NOR USED FOR MANUFACTURING PURPOSES, EXCEPT ON BURROUGHS ORDER OR PRIOR WRITTEN CONSENT

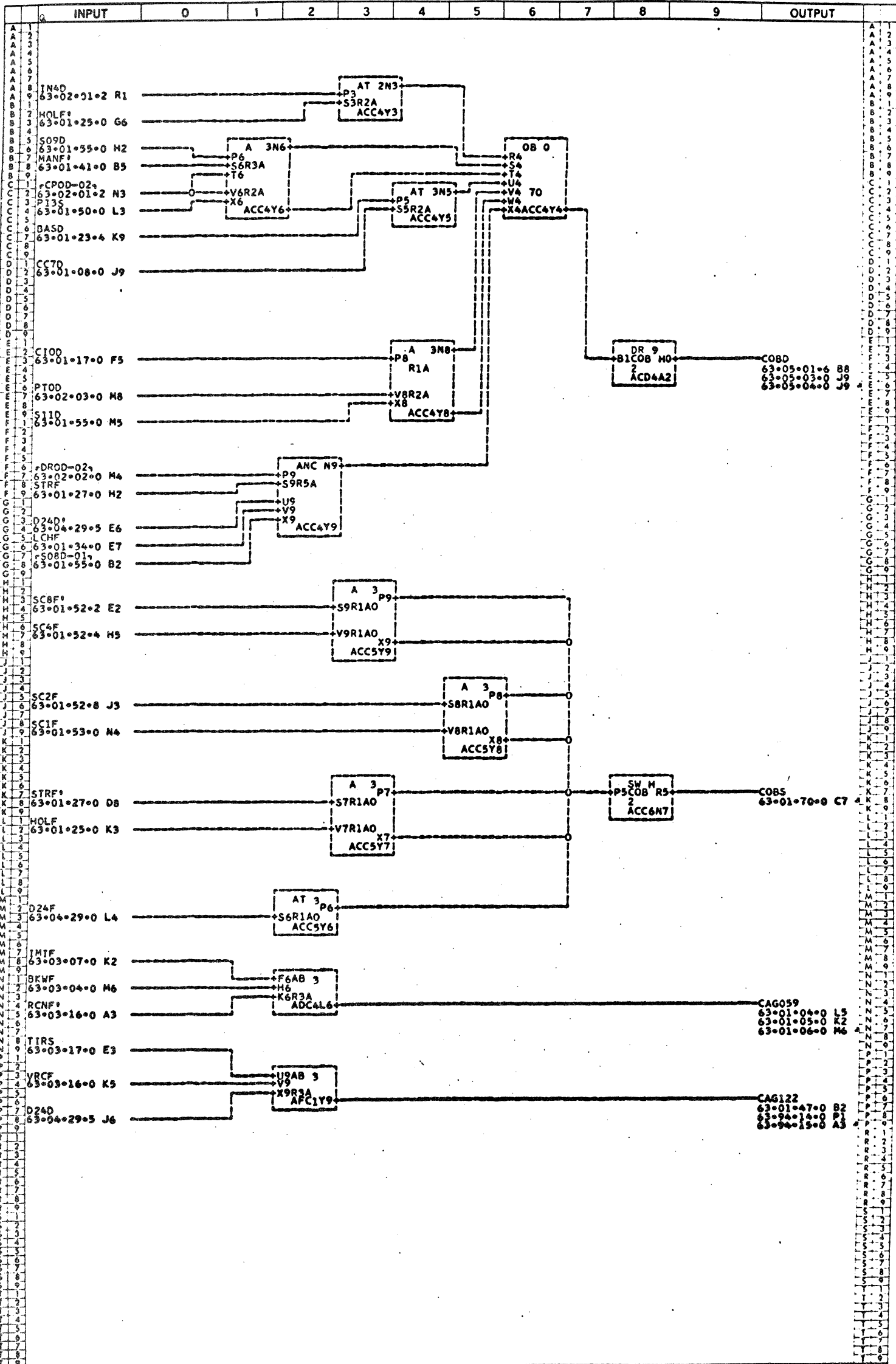
LOGIC SCHEMATIC



INPUT	0	1	2	3	4	5	6	7	8	9	OUTPUT
U 2	TITLE COMPLIMENT 4*5-8*5										U 2
U 4	DRAWN BY M MOGLE 8-24-61 CHECKED BY SNOODGRASS 8-29-61										U 4
U 6	UNIT NAME INPUT-OUTPUT CONTROL UNIT MODEL 3										U 6
U 8	SYSTEM 85500										U 8

Burroughs Corporation
 ELECTRODATA M & E DIVISION PASADENA CALIFORNIA
PROPERTY OF BURROUGHS CORPORATION. NOT TO BE REPRODUCED, NOR USED FOR MANUFACTURING PURPOSES, EXCEPT ON BURROUGHS ORDER OR PRIOR WRITTEN CONSENT.

LOGIC SCHEMATIC

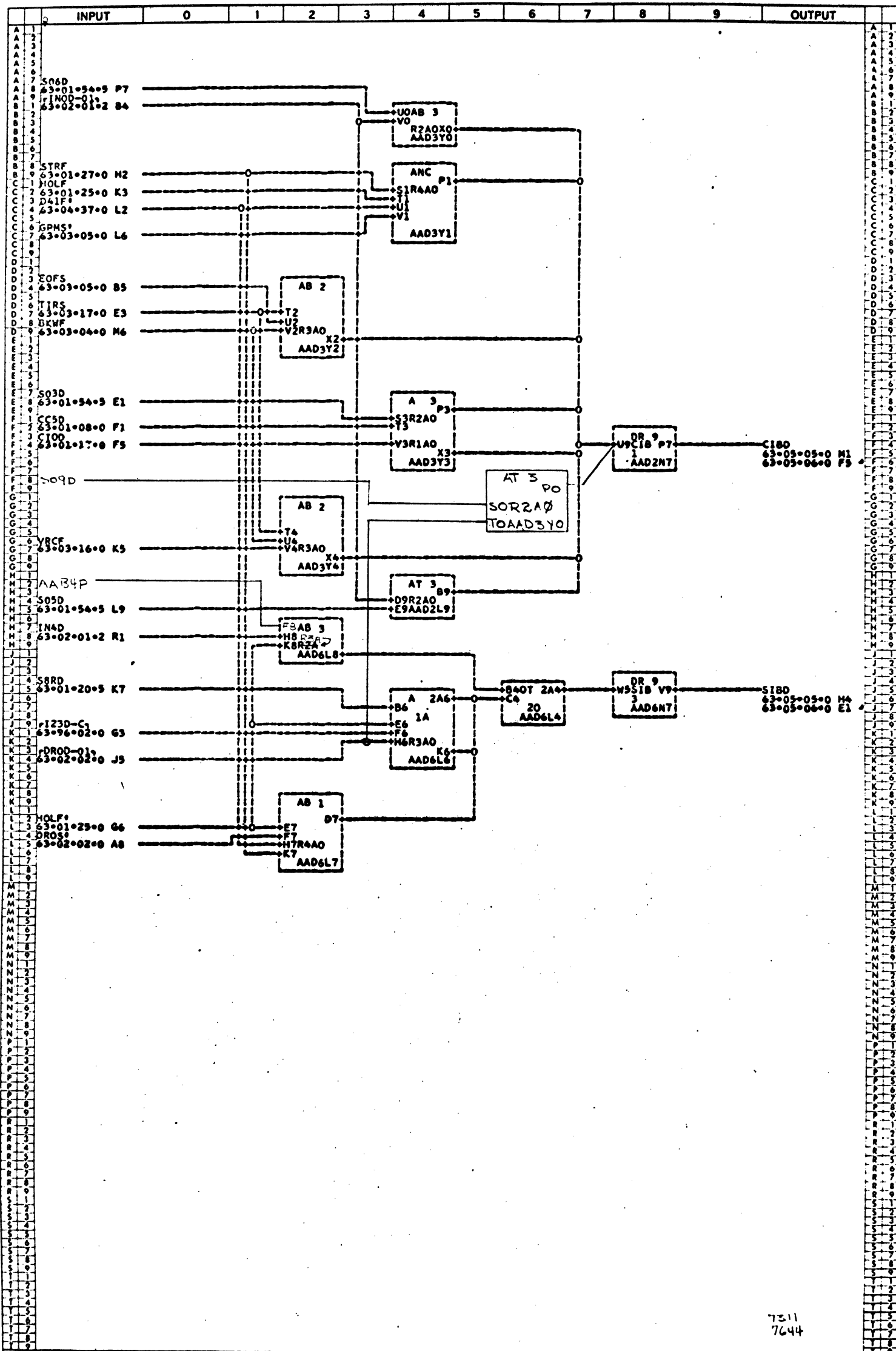


INPUT	0	1	2	3	4	5	6	7	8	9	OUTPUT	
U 2	TITLE OUTPUT BUFFER CLEAR AND CAG059										M- 11202215A8	U 2
U 4	DRAWN BY R WILLIAMS 21 AUG 61										CHECKED BY SHODGRASS 8-23-61	U 4
U 6	UNIT NAME INPUT-OUTPUT CONTROL UNIT MODEL 3										UNIT NO. 16303125	U 6
U 8	SYSTEM B5500										PAGE NO. 63-01-1400	U 8

ELECTRODATA **Burroughs Corporation** PASADENA CALIFORNIA
 M & E DIVISION

PROPERTY OF BURROUGHS CORPORATION. NOT TO BE REPRODUCED, NOR USED FOR MANUFACTURING PURPOSES, EXCEPT ON BURROUGHS ORDER OR PRIOR WRITTEN CONSENT.

LOGIC SCHEMATIC

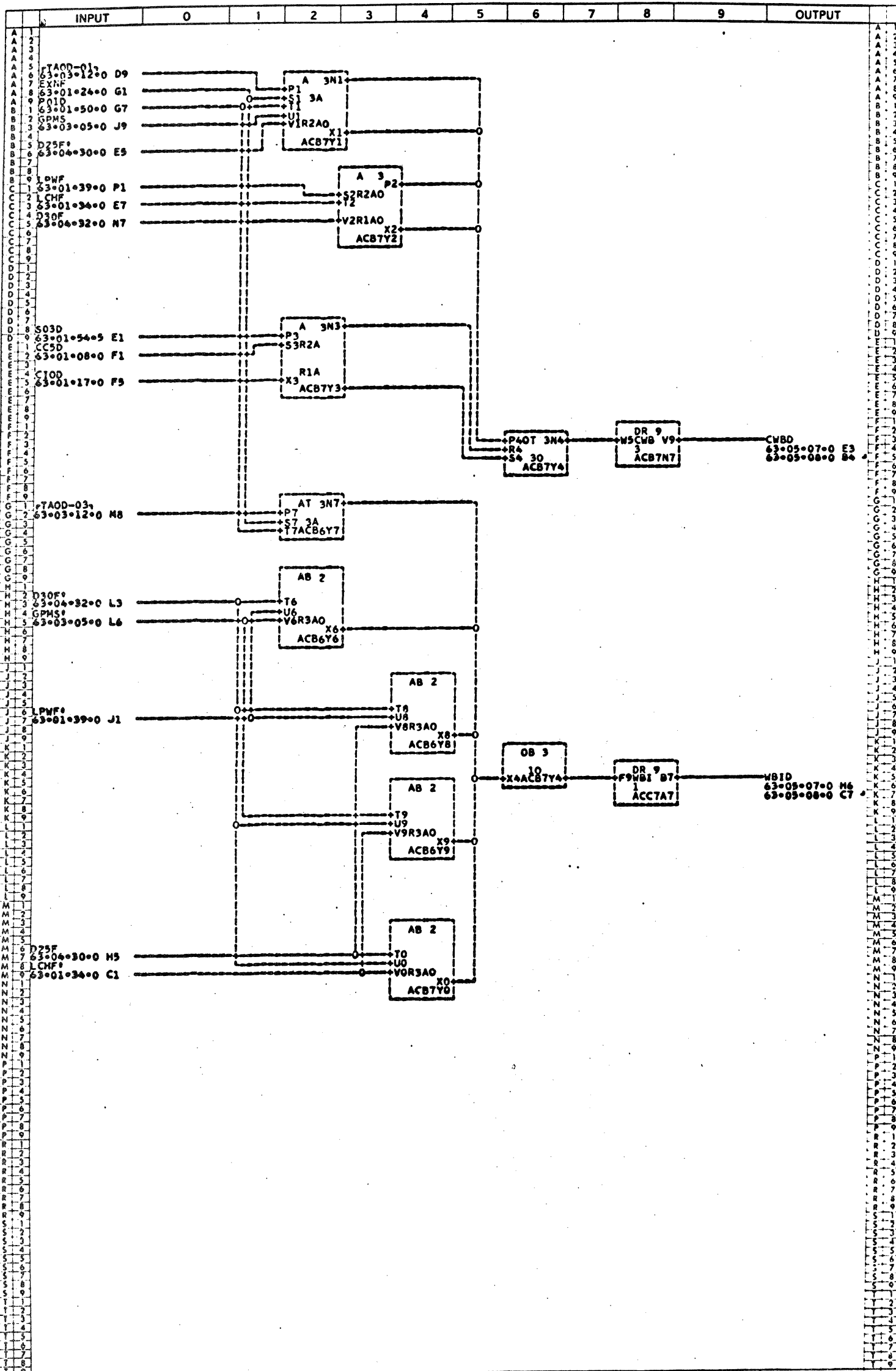


7511
7644

	INPUT	0	1	2	3	4	5	6	7	8	9	OUTPUT
U 2	TITLE CLEAR IS AND SET IS DRIVERS M- 11202223AA											
U 4	DRAWN BY WILLIAMS 21AUG 61 CHECKED BY SNOODGRASS 8-23-61											
U 6	UNIT NAME INPUT-OUTPUT CONTROL UNIT MODEL 3 UNIT NO. 16303125											
U 8	SYSTEM B5300 PAGE NO. 63-01-15-00											

ELECTRODATA **Burroughs Corporation** PASADENA CALIFORNIA
PROPERTY OF BURROUGHS CORPORATION. NOT TO BE REPRODUCED, NOR USED FOR MANUFACTURING PURPOSES, EXCEPT ON BURROUGHS ORDER OR PRIOR WRITTEN CONSENT.

LOGIC SCHEMATIC



INPUT	0	1	2	3	4	5	6	7	8	9	OUTPUT
U 2	TITLE CLEAR WB AND WB INPUT DRIVERS										M- 11202291AA
U 4	DRAWN BYR WILLIAMS 21 AUG 61										CHECKED BY SMOGRASS 8-23-61
U 6	UNIT NAME INPUT-OUTPUT CONTROL UNIT MODEL 3										UNIT NO. 16303129
U 8	SYSTEM 85500										PAGE NO. 4300101A00

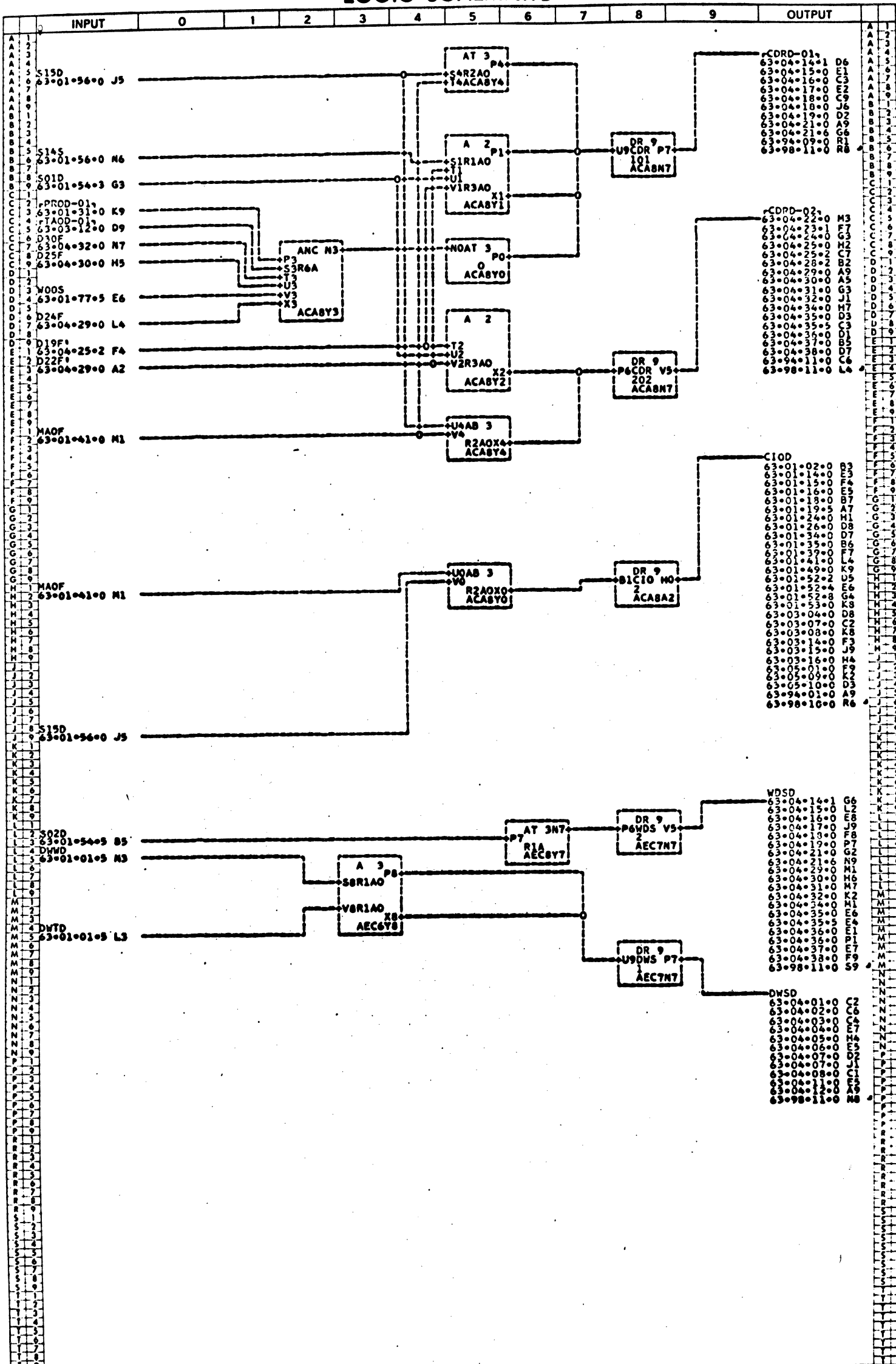
ELECTRODATA
M&E DIVISION

Burroughs Corporation

PASADENA
CALIFORNIA

PROPERTY OF BURROUGHS CORPORATION NOT TO BE REPRODUCED, NOR USED FOR MANUFACTURING PURPOSES, EXCEPT ON BURROUGHS ORDER OR PRIOR WRITTEN COMMENT

LOGIC SCHEMATIC



U 2	TITLE CLEAR D-CLEAR I O-W TO D-D TO W DRIVERS	M- 11202249AA	
U 4	DRAWN BY R BUNTON	8-23-61 CHECKED BY SNOODGRASS	
U 6	UNIT NAME INPUT-OUTPUT CONTROL UNIT MODEL 3	UNIT NO. 16203125	
U 8	SYSTEM B1500	PAGE NO. 63-01-17-0	

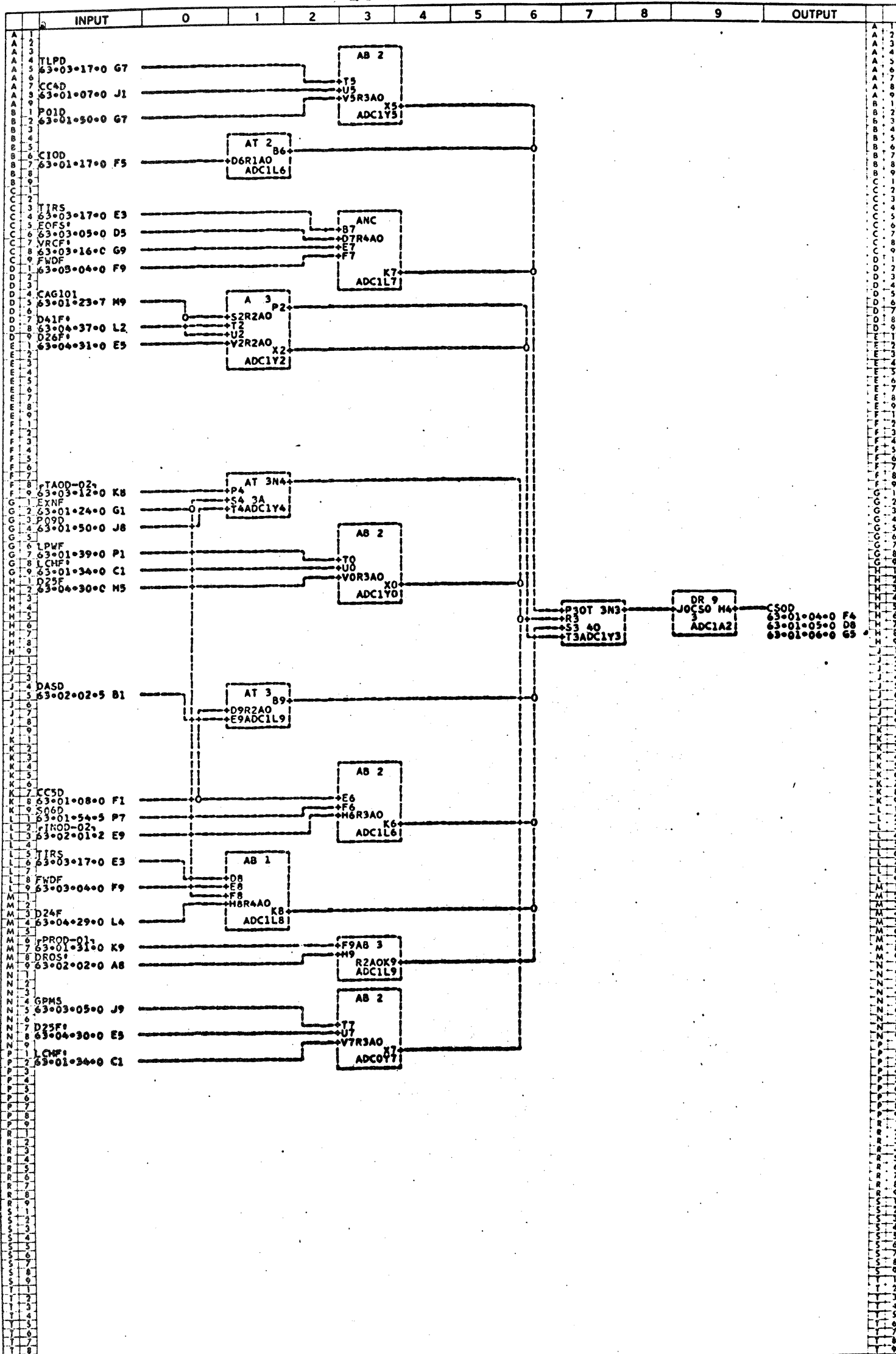
ELECTRODATA
M & E DIVISION

Burroughs Corporation

PASADENA
CALIFORNIA

PROPERTY OF BURROUGHS CORPORATION. NOT TO BE REPRODUCED, NOR USED FOR MANUFACTURING PURPOSES, EXCEPT ON BURROUGHS ORDER OR PRIOR WRITTEN CONSENT.

LOGIC SCHEMATIC



INPUT	0	1	2	3	4	5	6	7	8	9	OUTPUT
U 2	TITLE CHARACTER CTR SET TO 0										U 2
U 4	DRAWN BY ZINES										U 4
U 6	UNIT NAME INPUT-OUTPUT CONTROL UNIT MODEL 3										U 6
U 8	SYSTEM B5200										U 8

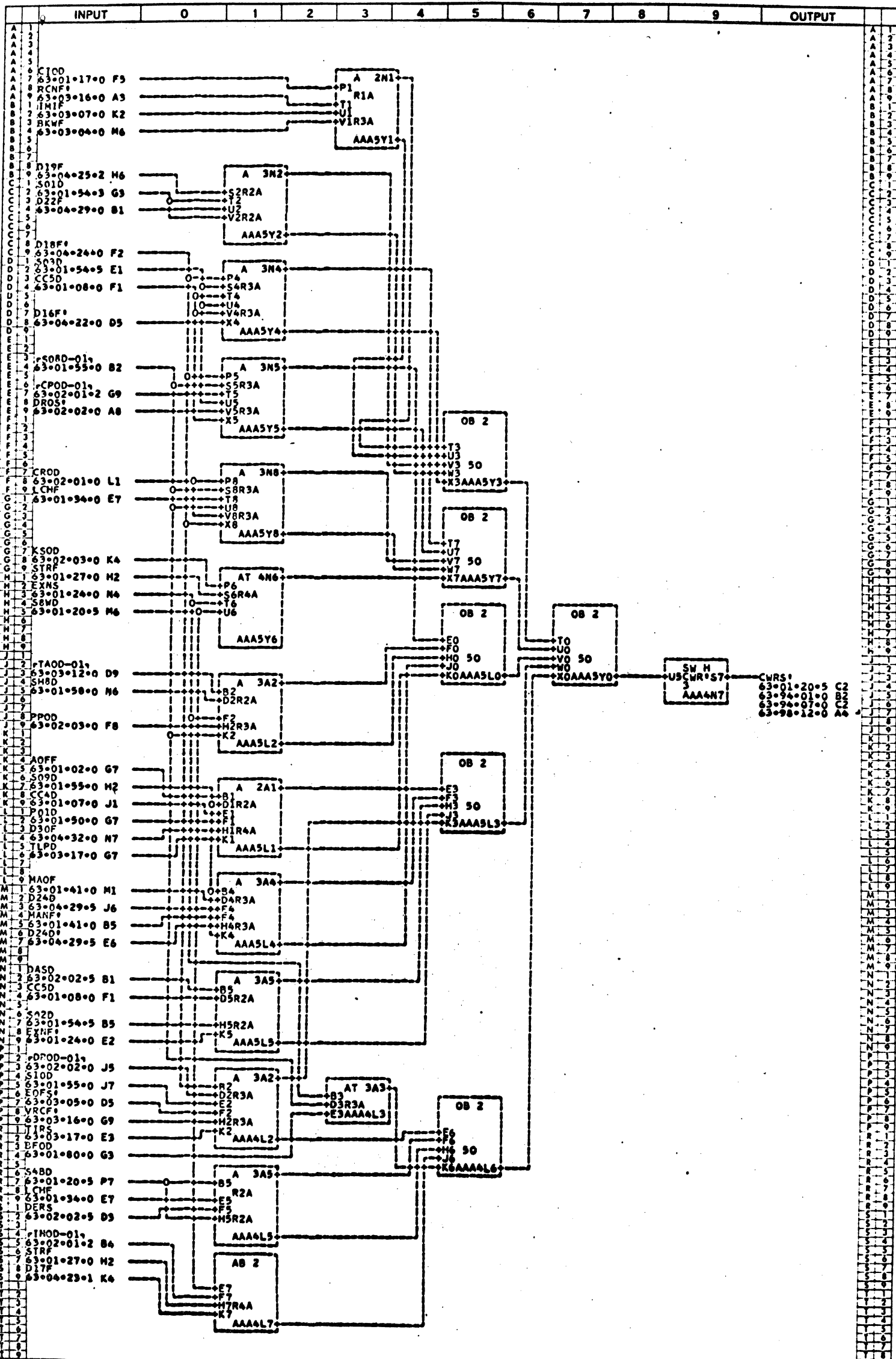
800 1667-1 REV 3-60
M- 11202256AA
8-24-61
UNIT NO. 16303125
PAGE NO. 63-01-18-0

ELECTRODATA
 M & E DIVISION
Burroughs Corporation
 PASADENA
 CALIFORNIA

PROPERTY OF BURROUGHS CORPORATION. NOT TO BE REPRODUCED, NOR USED FOR MANUFACTURING PURPOSES, EXCEPT ON BURROUGHS ORDER OR PRIOR WRITTEN CONSENT.

APR 22 1965

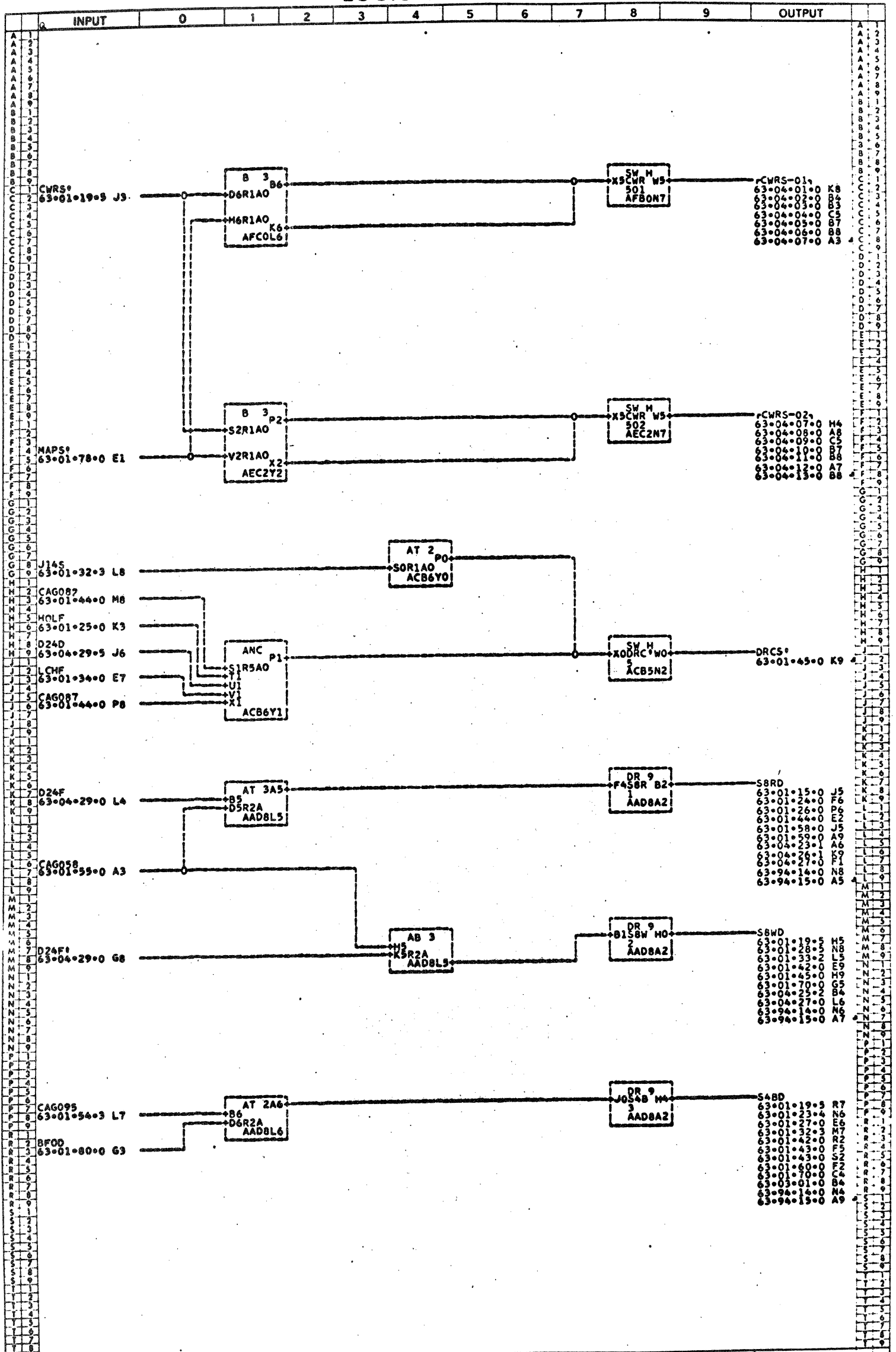
LOGIC SCHEMATIC



INPUT	0	1	2	3	4	5	6	7	8	9	OUTPUT
U 2	TITLE CLEAR W REGISTER SWITCH CVRS ⁰										U 2
U 4	DRAWN BY S SMITH										U 4
U 6	UNIT NAME INPUT-OUTPUT CONTROL UNIT MODEL 3										U 6
U 8	SYSTEM B5100										U 8

Burroughs Corporation
 ELECTRODATA M&E DIVISION PASADENA CALIFORNIA
PROPERTY OF BURROUGHS CORPORATION NOT TO BE REPRODUCED, NOR USED FOR MANUFACTURING PURPOSES, EXCEPT ON BURROUGHS ORDER OR PRIOR WRITTEN CONSENT.

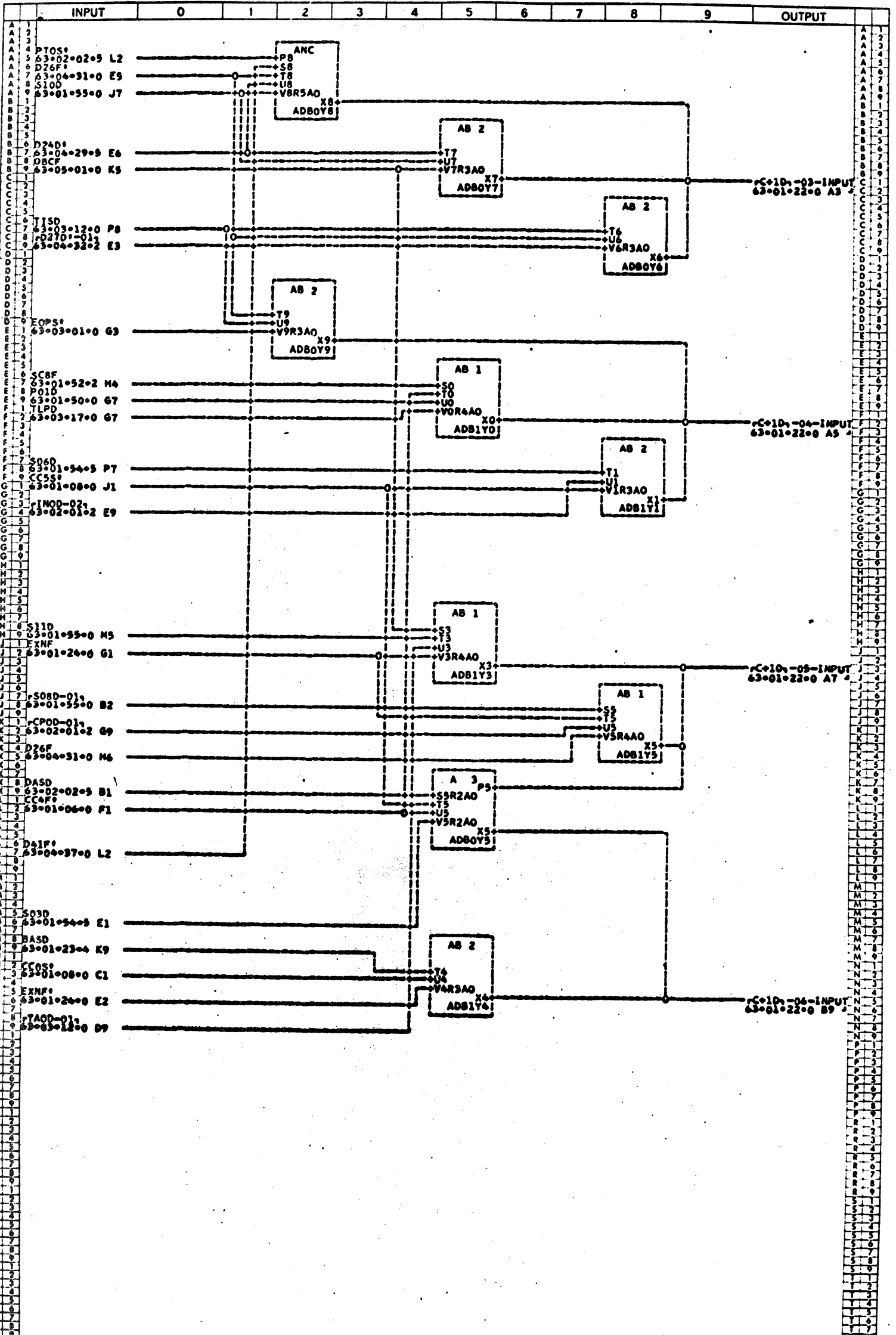
LOGIC SCHEMATIC



INPUT	0	1	2	3	4	5	6	7	8	9	OUTPUT
U 2	TITLE CWR5-01 CWR5-02 DRCS, N- 11202272A6										U 2
U 4	DRAWN BY R J MILLER 12-2-61 CHECKED BY SNOODGRASS										U 4
U 6	UNIT NAME INPUT-OUTPUT CONTROL UNIT MODEL 3 UNIT NO. 16303125										U 6
U 8	SYSTEM B3500 PAGE NO. 43-01-20-5										U 8

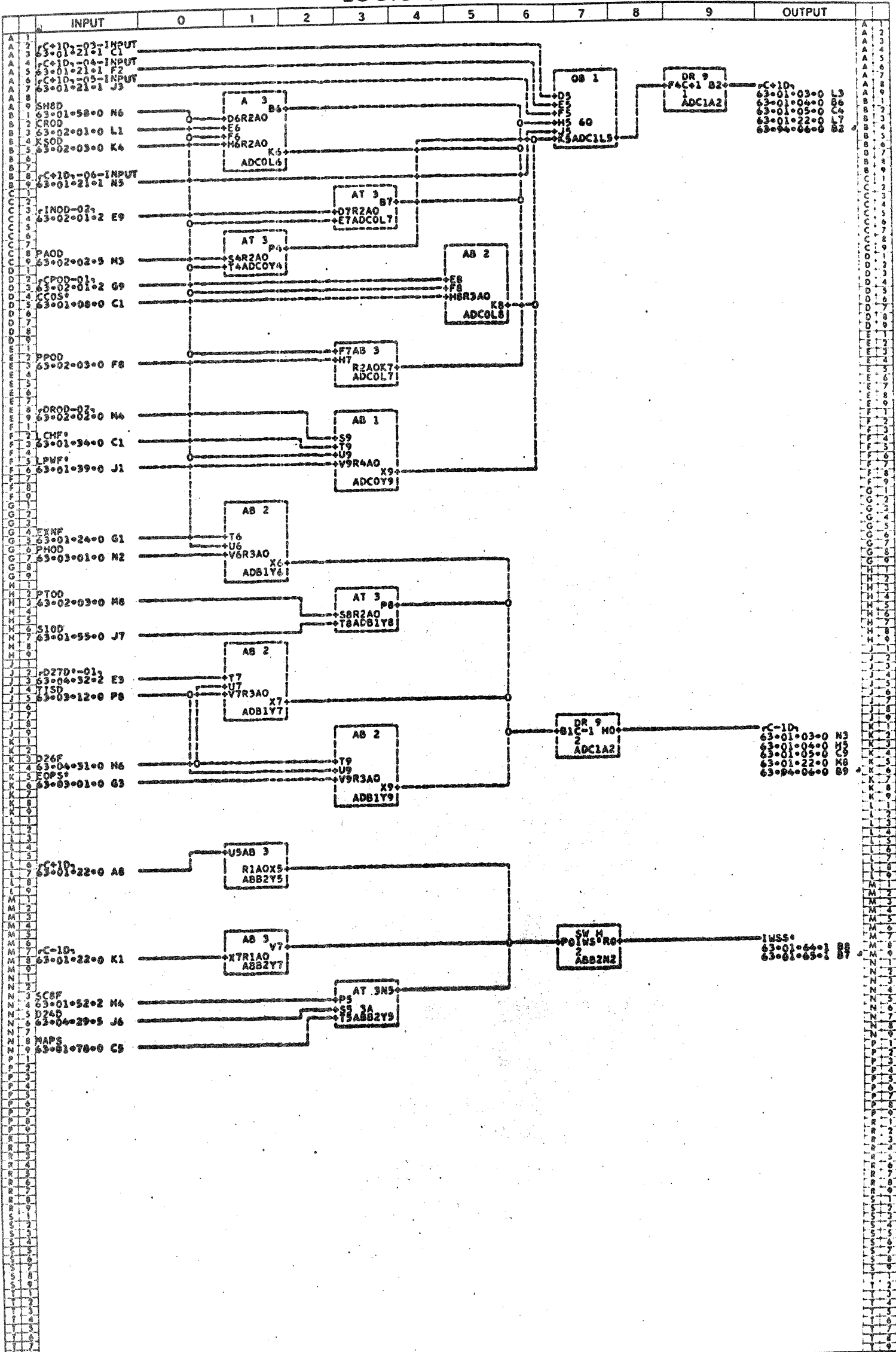
Burroughs Corporation
 PASADENA CALIFORNIA
 ELECTRODATA M&E DIVISION
 PROPERTY OF BURROUGHS CORPORATION NOT TO BE REPRODUCED, NOR USED FOR MANUFACTURING PURPOSES, EXCEPT ON BURROUGHS ORDER OR PRIOR WRITTEN CONSENT

LOGIC SCHEMATIC



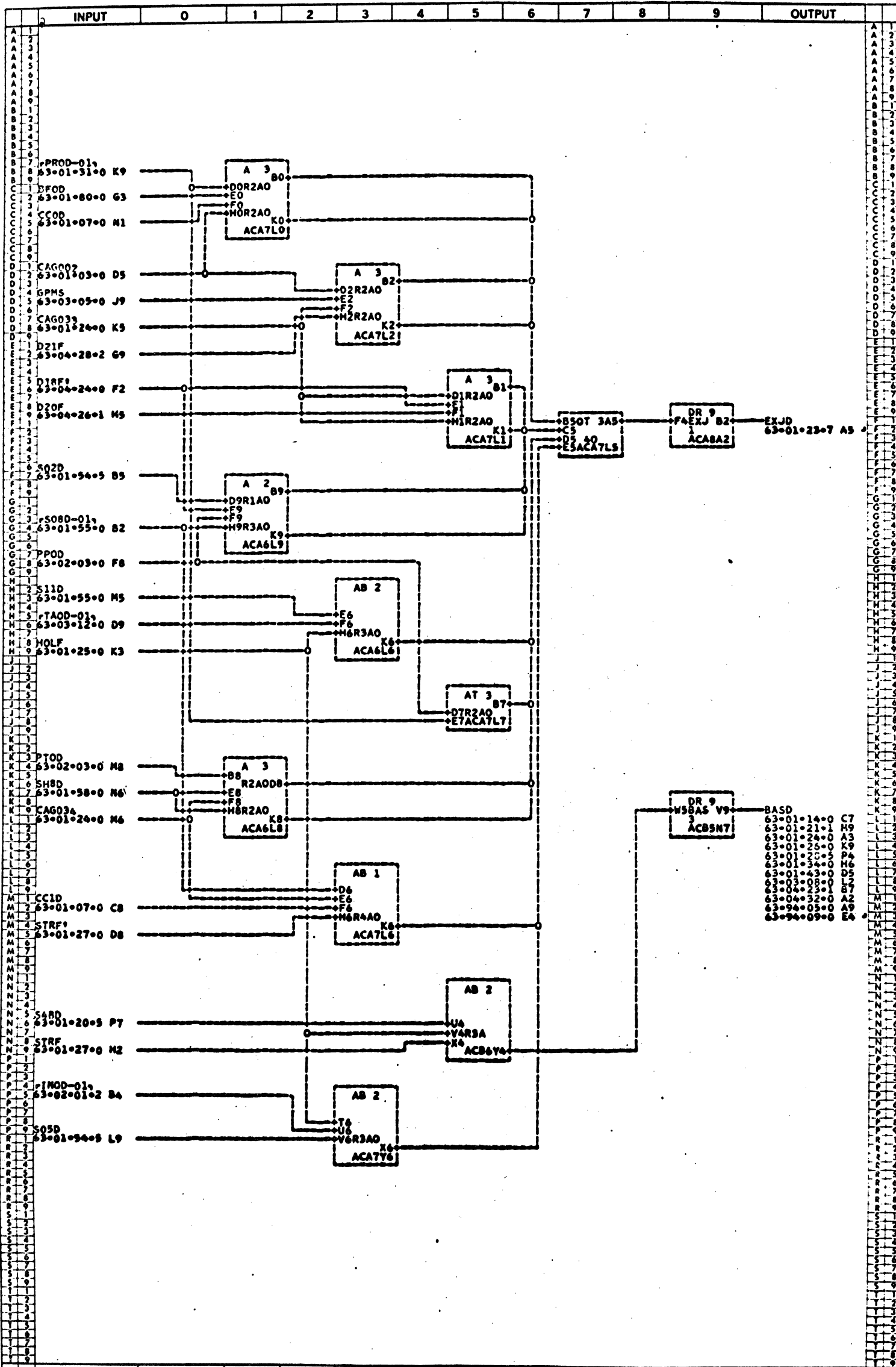
	INPUT	0	1	2	3	4	5	6	7	8	9	OUTPUT	
U 2	TITLE CHARACTER CTR DRIVER INPUTS												U 2
U 4	DRAWN BY ZINES												U 4
U 6	UNIT NAME INPUT-OUTPUT CONTROL UNIT MODEL 3												U 6
U 8	SYSTEM 85200												U 8
H- 11202280AA CHECKED BY SMOGRASS UNIT NO. 1690125 PAGE NO. 63-01-21-1													
ELECTRODATA M & E DIVISION Burroughs Corporation PASADENA CALIFORNIA													
PROPERTY OF BURROUGHS CORPORATION. NOT TO BE REPRODUCED, NOR USED FOR MANUFACTURING PURPOSES, EXCEPT ON BURROUGHS ORDER OR PRIOR WRITTEN CONSENT.													

LOGIC SCHEMATIC



INPUT	0	1	2	3	4	5	6	7	8	9	OUTPUT
U 2	TITLE CHARACTER CTR +1 DR -1 DR AND IN-OUT W SHIFT SW M- 11202298AA										U 2
U 4	DRAWN BY ZINES CHECKED BY SNOODGRASS 8-29-61										U 4
U 6	UNIT NAME INPUT-OUTPUT CONTROL UNIT MODEL 3 UNIT NO. 16303125										U 6
U 8	SYSTEM 83500 PAGE NO. 43-01-22-0										U 8

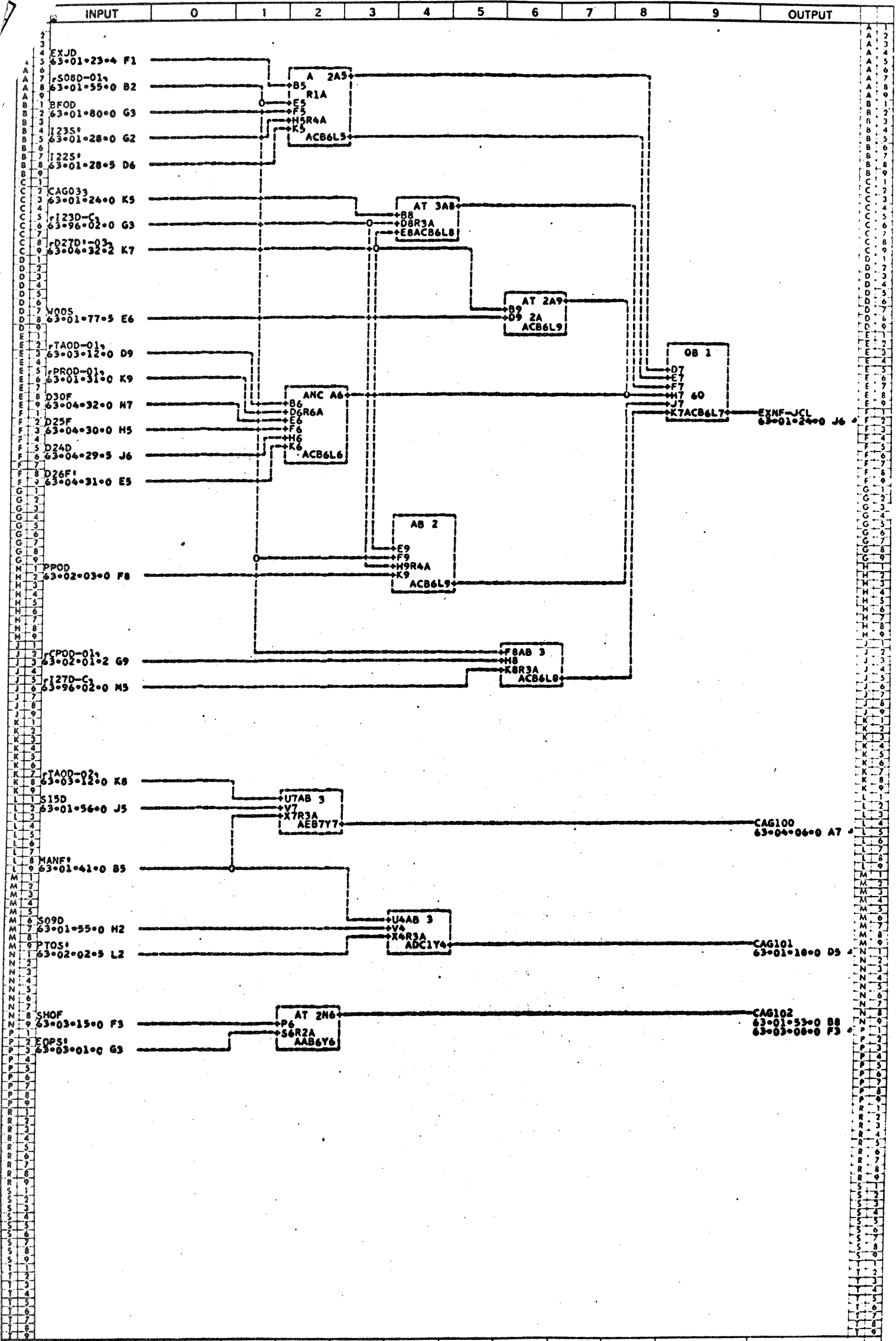
LOGIC SCHEMATIC



U 2	INPUT	0	1	2	3	4	5	6	7	8	9	OUTPUT	U 2
U 2	TITLE DRIVERS EXJD AND BASD												U 2
U 4	DRAWN BY ROLLIN MANN												U 4
U 6	UNIT NAME INPUT-OUTPUT CONTROL UNIT MODEL 3												U 6
U 8	SYSTEM BS500												U 8

ELECTRODATA M&E DIVISION **Burroughs Corporation** PASADENA CALIFORNIA
 PROPERTY OF BURROUGHS CORPORATION NOT TO BE REPRODUCED, NOR USED FOR MANUFACTURING PURPOSES, EXCEPT ON BURROUGHS ORDER OR PRIOR WRITTEN CONSENT.

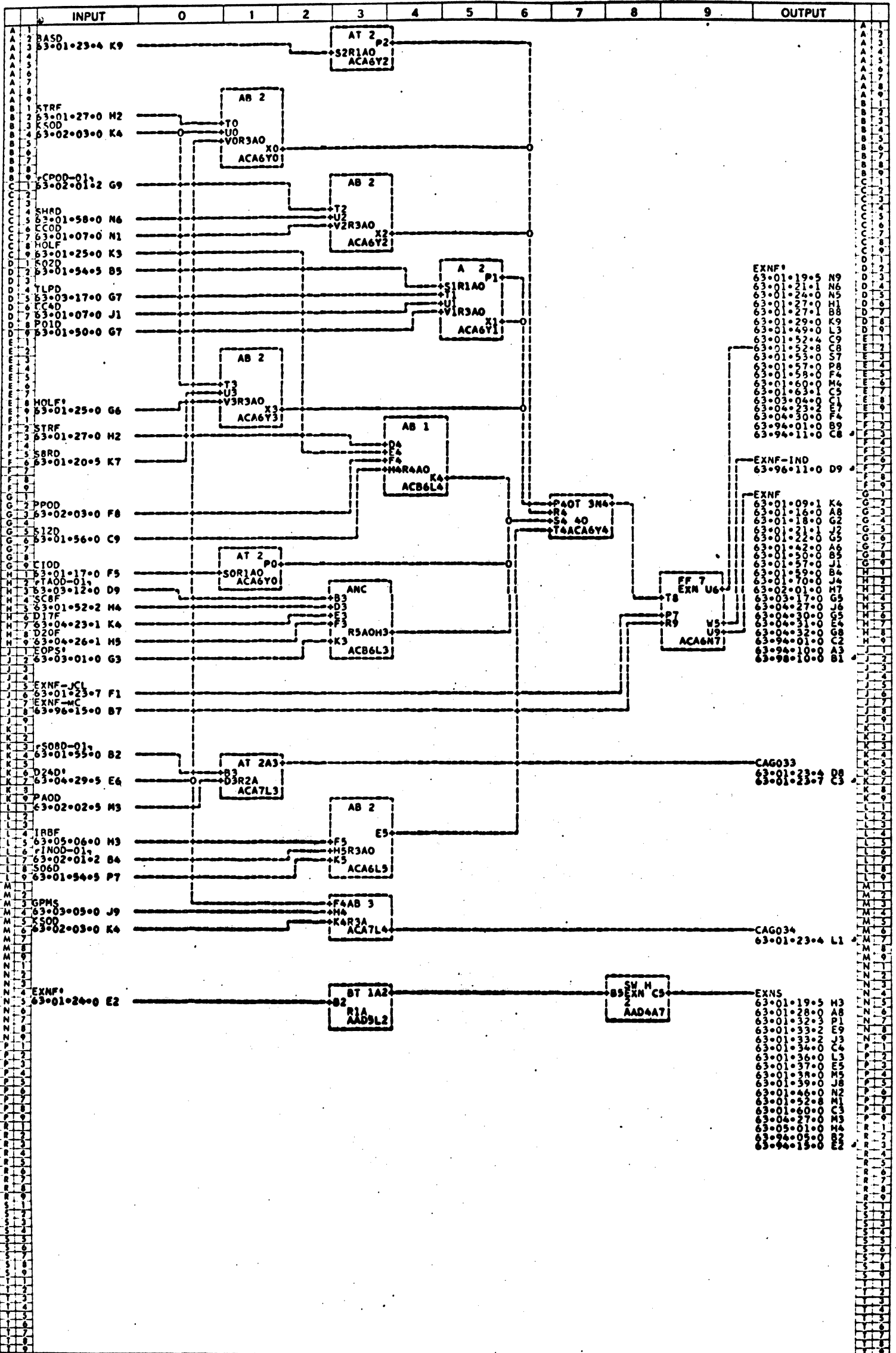
LOGIC SCHEMATIC



	INPUT	0	1	2	3	4	5	6	7	8	9	OUTPUT		
U 2	TITLE EXTERNAL CONTROL FF -JCL- INPUT												H- 11202314AA	U 2
U 4	DRAWN BY DOOLING												CHECKED BY DUDLEY SHEPHERD	U 4
U 6	UNIT NAME INPUT-OUTPUT CONTROL UNIT MODEL 3												UNIT NO. 16303125	U 6
U 8	SYSTEM B3300												PAGE NO. 63-01-23-7	U 8

ELECTRODATA **Burroughs Corporation** PASADENA CALIFORNIA
 M & E DIVISION
 PROPERTY OF BURROUGHS CORPORATION. NOT TO BE REPRODUCED, NOR USED FOR MANUFACTURING PURPOSES, EXCEPT ON BURROUGHS ORDER OR PRIOR WRITTEN CONSENT.

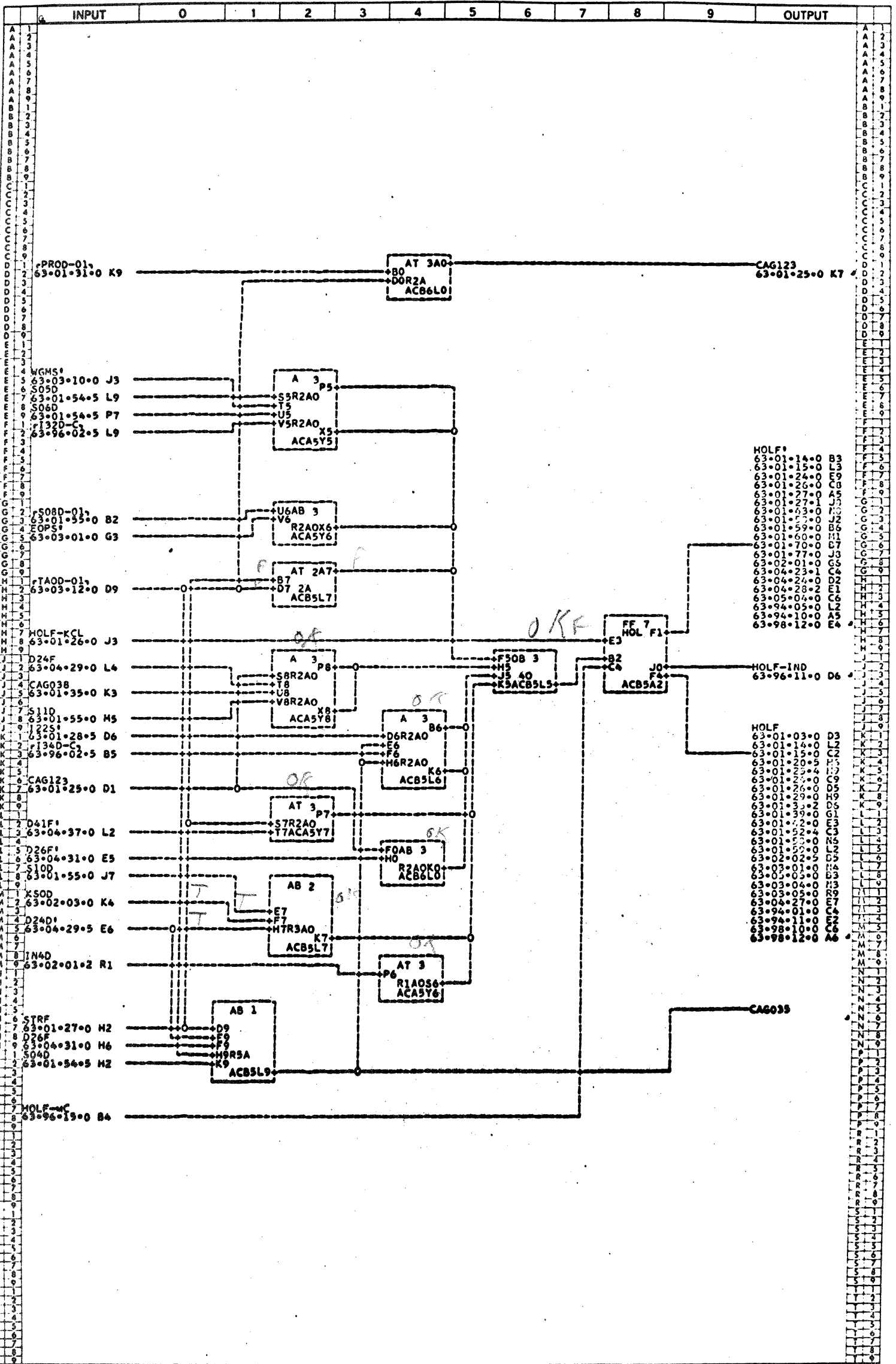
LOGIC SCHEMATIC



U 2	TITLE	EXTERNAL CONTROL FF AND EXT CONT SW - CAG033-034 M- 11202322AC	M- 11202322AC
U 4	DRAWN BY	ZINES	CHECKED BY SNOODGRASS 8-25-61
U 6	UNIT NAME	INPUT-OUTPUT CONTROL UNIT MODEL 3	UNIT NO. 16303125
U 8	SYSTEM	B3300	PAGE NO. 63-01-26-0

ELECTRODATA M&E DIVISION	Burroughs Corporation 	PASADENA CALIFORNIA
PROPERTY OF BURROUGHS CORPORATION. NOT TO BE REPRODUCED, NOR USED FOR MANUFACTURING PURPOSES, EXCEPT ON BURROUGHS ORDER OR PRIOR WRITTEN CONSENT.		

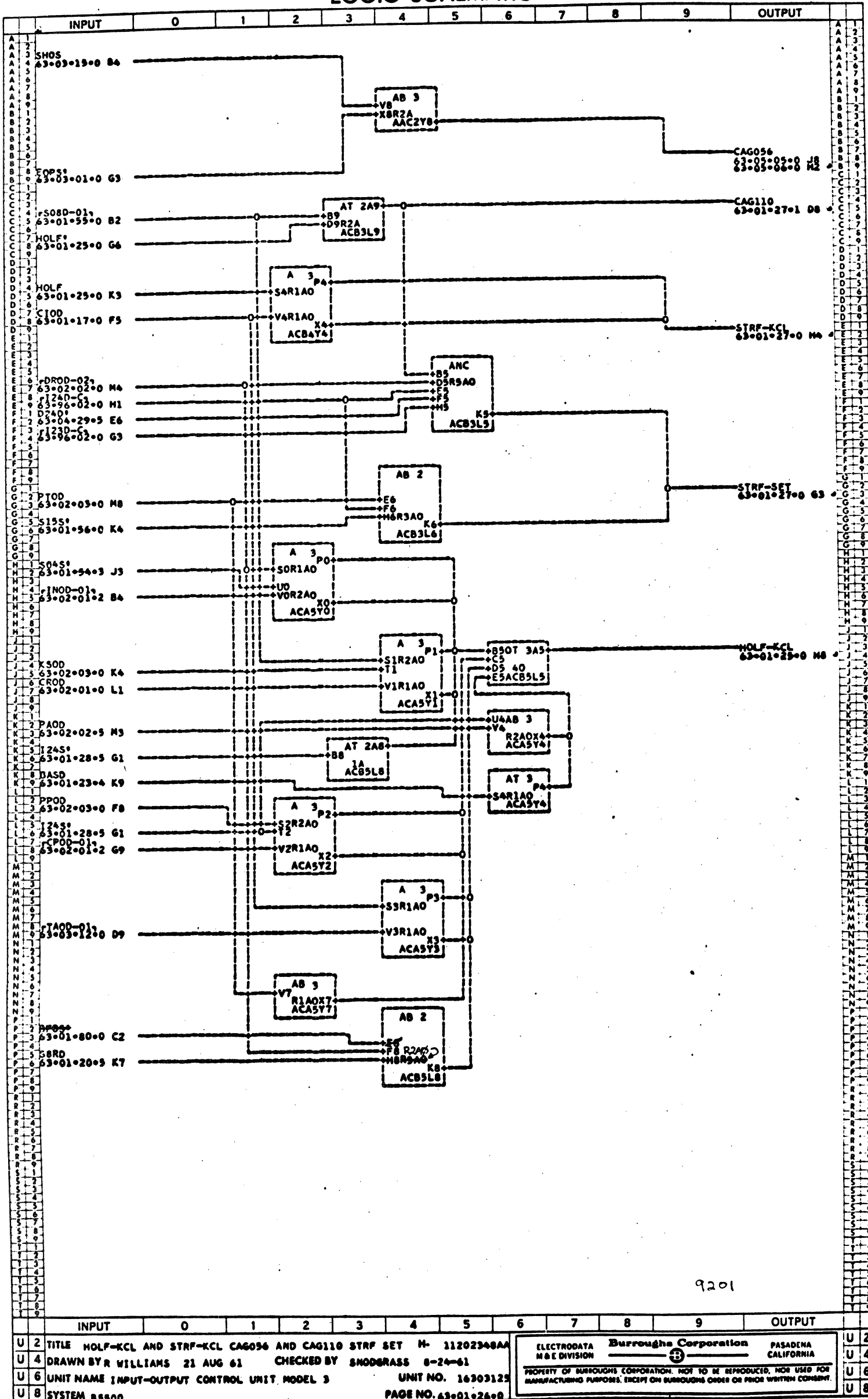
LOGIC SCHEMATIC



	INPUT	0	1	2	3	4	5	6	7	8	9	OUTPUT
U 2	TITLE HOLDOVER FF-HOLF AND CAG035											
U 4	DRAWN BY R WILLIAMS 8-21-61 CHECKED BY SNOODGRASS 8-24-61											
U 6	UNIT NAME INPUT-OUTPUT CONTROL UNIT MODEL 3											
U 8	SYSTEM 85500											

ELECTRODATA **Burroughs Corporation** PASADENA CALIFORNIA
PROPERTY OF BURROUGHS CORPORATION. NOT TO BE REPRODUCED, NOR USED FOR MANUFACTURING PURPOSES, EXCEPT ON BURROUGHS ORDER OR PRIOR WRITTEN CONSENT.

LOGIC SCHEMATIC

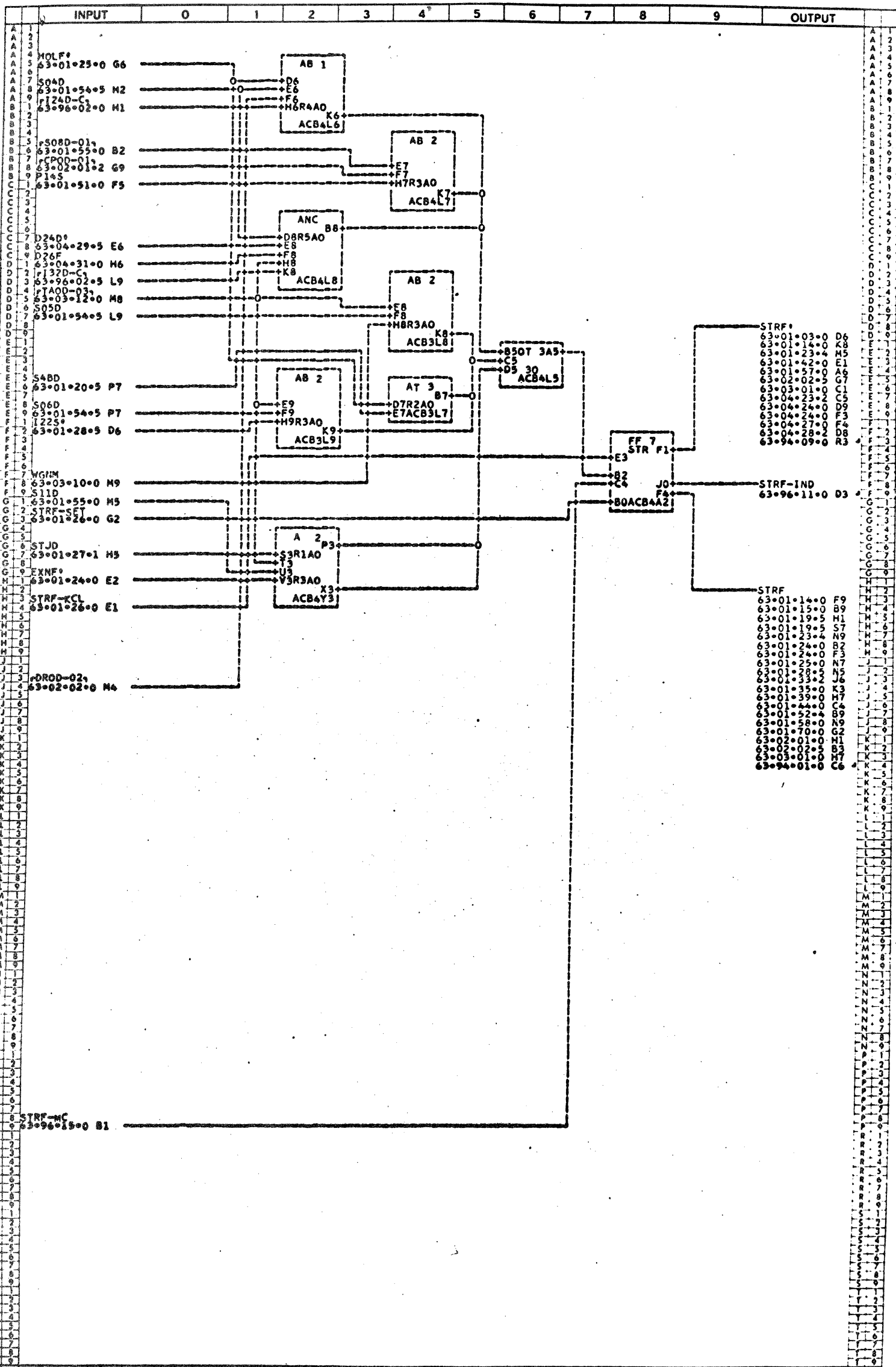


9201

INPUT	0	1	2	3	4	5	6	7	8	9	OUTPUT
U 2	TITLE HOLF-KCL AND STRF-KCL CAG056 AND CAG110 STRF SET M- 11202348AA										U 2
U 4	DRAWN BY R WILLIAMS 21 AUG 61 CHECKED BY SNODGRASS 8-24-61										U 4
U 6	SYSTEM NAME INPUT-OUTPUT CONTROL UNIT MODEL 3 UNIT NO. 16303125										U 6
U 8	PAGE NO. 63-01-24-08										U 8

ELECTRODATA **Burroughs Corporation** PASADENA CALIFORNIA
 M & E DIVISION
 PROPERTY OF BURROUGHS CORPORATION. NOT TO BE REPRODUCED, NOR USED FOR MANUFACTURING PURPOSES, EXCEPT ON BURROUGHS ORDER OR PRIOR WRITTEN CONSENT.

LOGIC SCHEMATIC

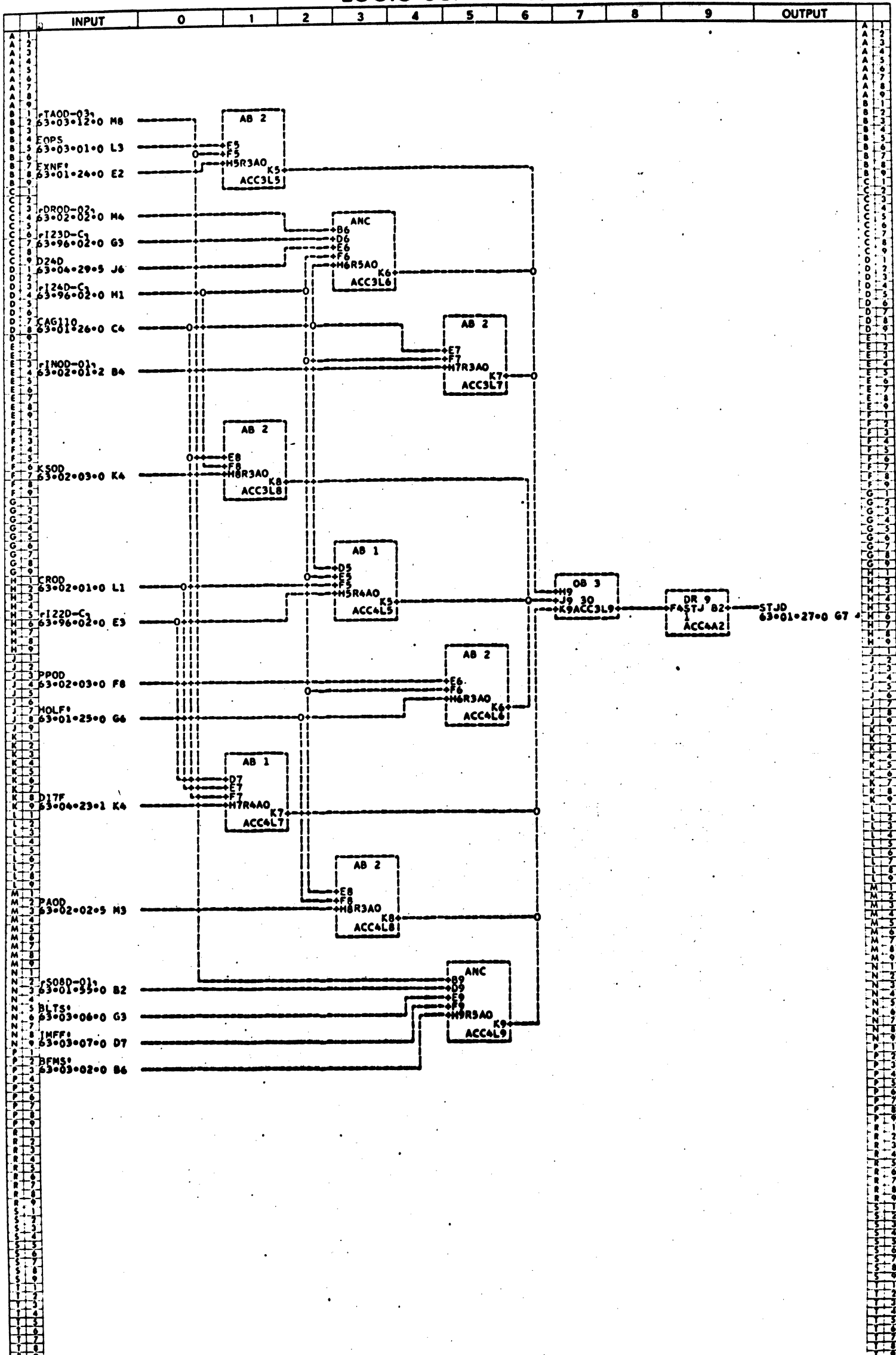


INPUT	0	1	2	3	4	5	6	7	8	9	OUTPUT
U 2	TITLE STROBE FF-STRF										U 2
U 4	DRAWN BYR WILLIAMS 22 AUG 61 CHECKED BY SMOGRASS B-24-61										U 4
U 6	UNIT NAME INPUT-OUTPUT CONTROL UNIT MODEL 3 UNIT NO. 16909129										U 6
U 8	SYSTEM B9900 PAGE NO. 63-01-27-00										U 8

ELECTRODATA **Burroughs Corporation** PASADENA CALIFORNIA
 M&E DIVISION

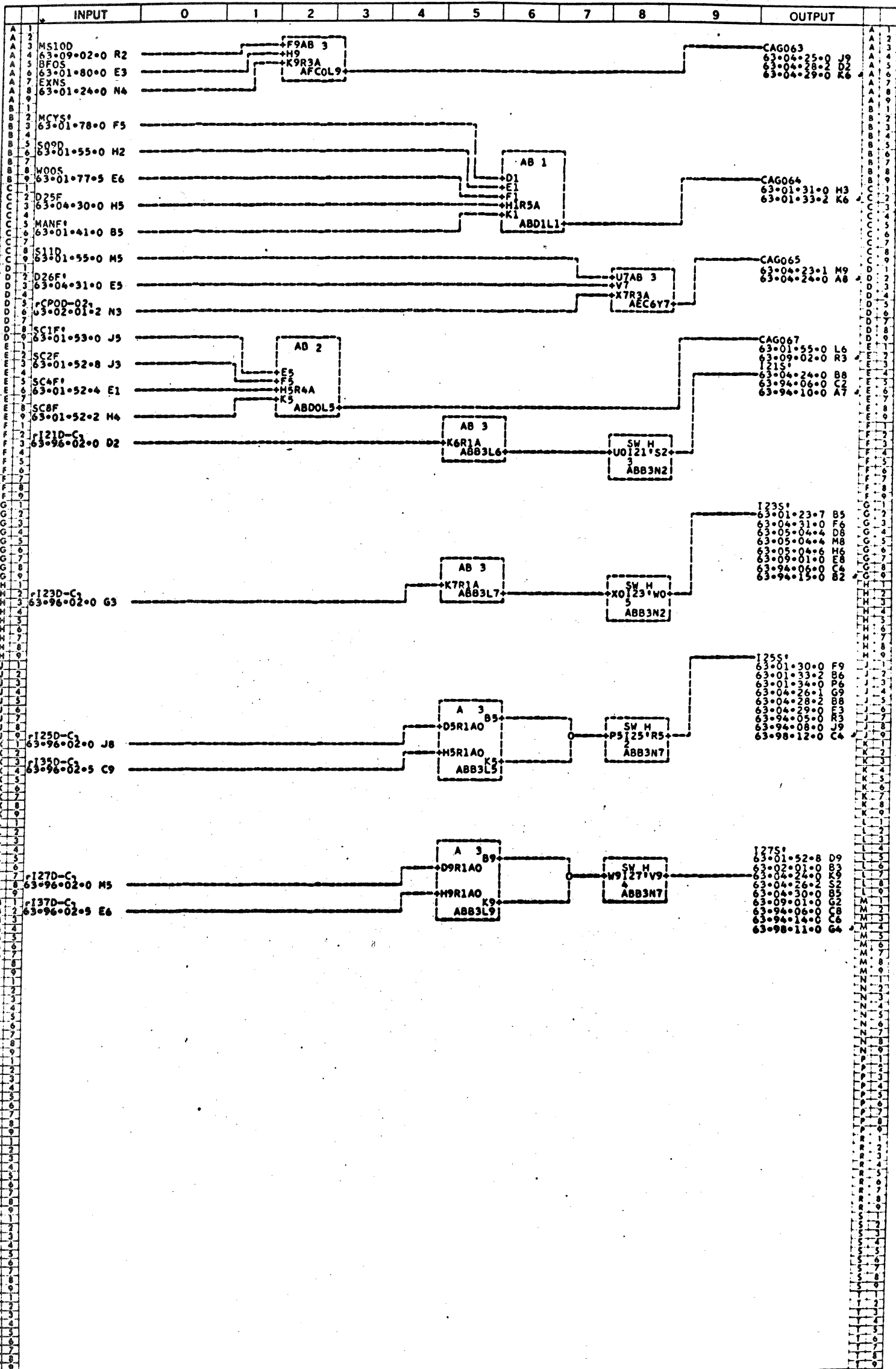
PROPERTY OF BURROUGHS CORPORATION NOT TO BE REPRODUCED, NOR USED FOR MANUFACTURING PURPOSES, EXCEPT ON BURROUGHS ORDER OR PRIOR WRITTEN CONSENT.

LOGIC SCHEMATIC



	INPUT	0	1	2	3	4	5	6	7	8	9	OUTPUT
U 2	TITLE	STJD DRIVER										U 2
U 4	DRAWN BY	J										U 4
U 6	UNIT NAME	INPUT-OUTPUT CONTROL UNIT MODEL 3										U 6
U 8	SYSTEM	B5500										U 8

LOGIC SCHEMATIC

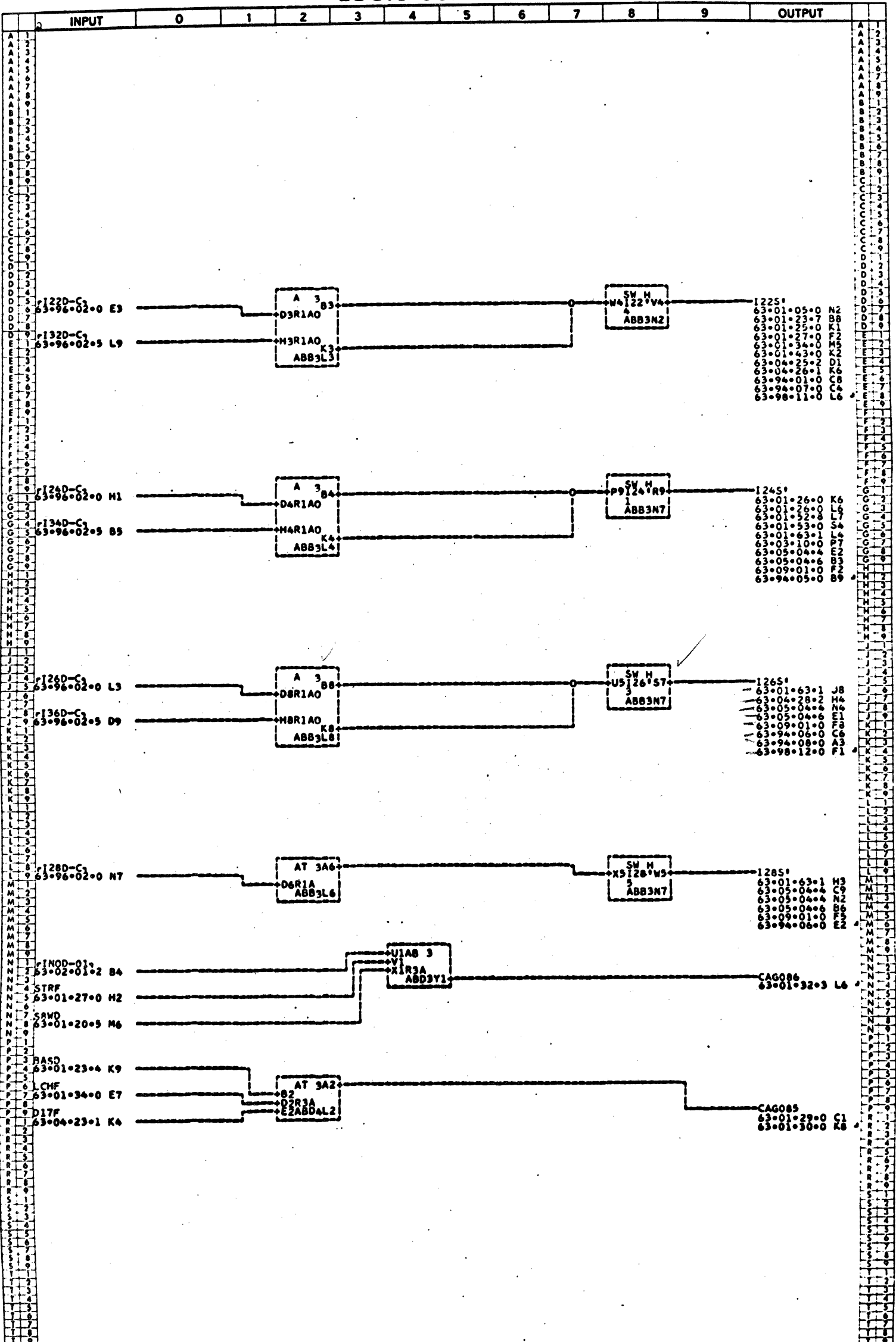


INPUT	0	1	2	3	4	5	6	7	8	9	OUTPUT
U 2	TITLE INPUT SW'S I215'-I265' AND JUMP TO SEQ' CAGS 63-67M- 11202363AE										U 2
U 4	DRAWN BY R J MILLER 8-22-61 CHECKED BY SNODGRASS 8-24-61										U 4
U 6	UNIT NAME INPUT-OUTPUT CONTROL UNIT MODEL 3 UNIT NO. 16303125										U 6
U 8	SYSTEM B5500 PAGE NO. 43-01-28A-0										U 8

ELECTRODATA **Burroughs Corporation** **PASADENA CALIFORNIA**
 M & E DIVISION

PROPERTY OF BURROUGHS CORPORATION. NOT TO BE REPRODUCED, NOR USED FOR MANUFACTURING PURPOSES, EXCEPT ON BURROUGHS ORDER OR PRIOR WRITTEN CONSENT.

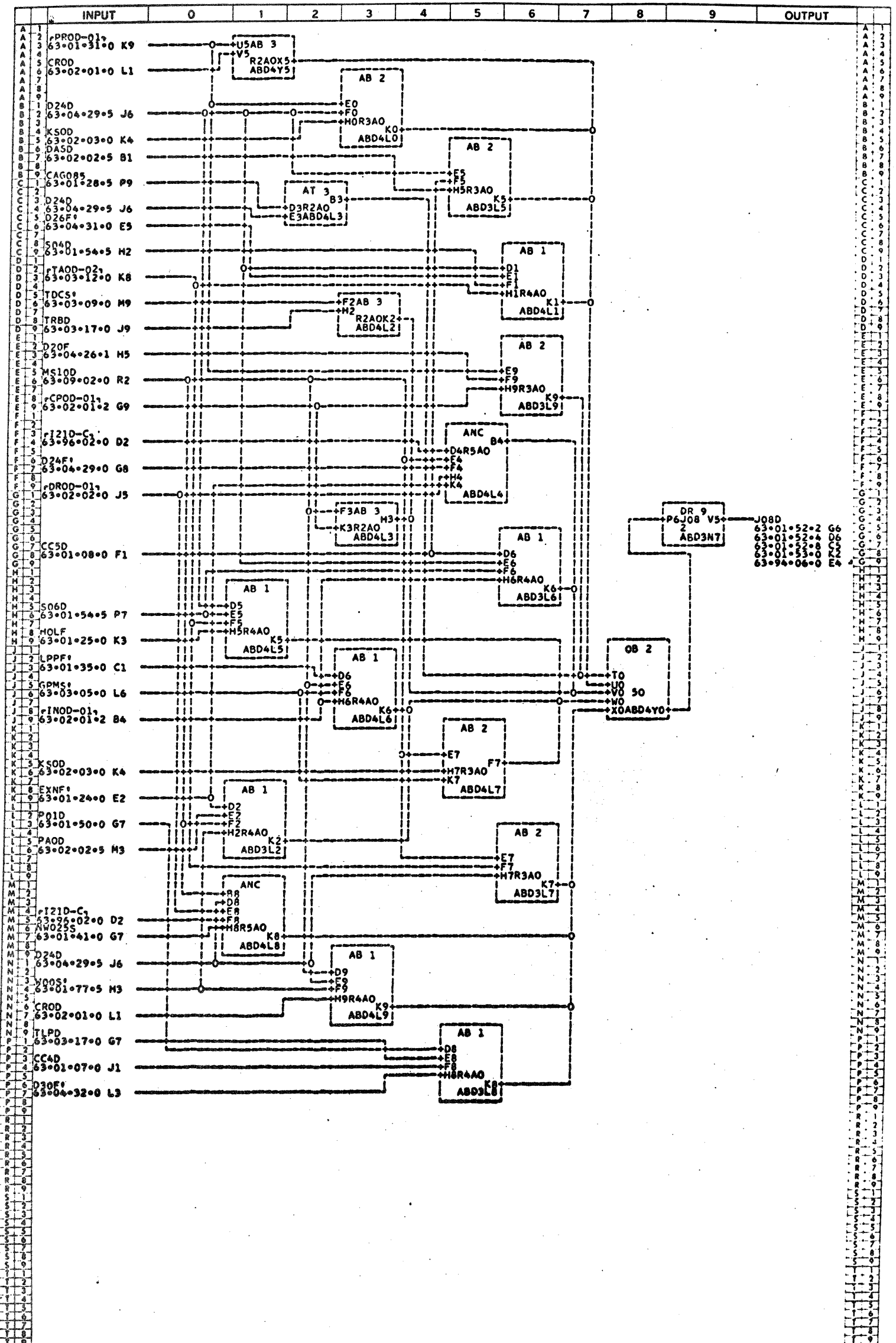
LOGIC SCHEMATIC



U 2	INPUT	0	1	2	3	4	5	6	7	8	9	OUTPUT	U 2
U 2	TITLE INPUT LEVELS - 1225 ^o - 1245 ^o - 1265 ^o - 1285 ^o M- 11202371AB												U 2
U 4	DRAWN BY TOM JONES 3-25-65 CHECKED BY ZINES												U 4
U 6	UNIT NAME INPUT-OUTPUT CONTROL UNIT MODEL 3 UNIT NO. 16303129												U 6
U 8	SYSTEM B5500 PAGE NO. A3-01-22865												U 8
ELECTRODATA Burroughs Corporation PASADENA CALIFORNIA M & E DIVISION													
PROPERTY OF BURROUGHS CORPORATION. NOT TO BE REPRODUCED, NOR USED FOR MANUFACTURING PURPOSES, EXCEPT ON BURROUGHS ORDER OR PRIOR WRITTEN CONSENT.													

98B 1007-1 00V 540

LOGIC SCHEMATIC

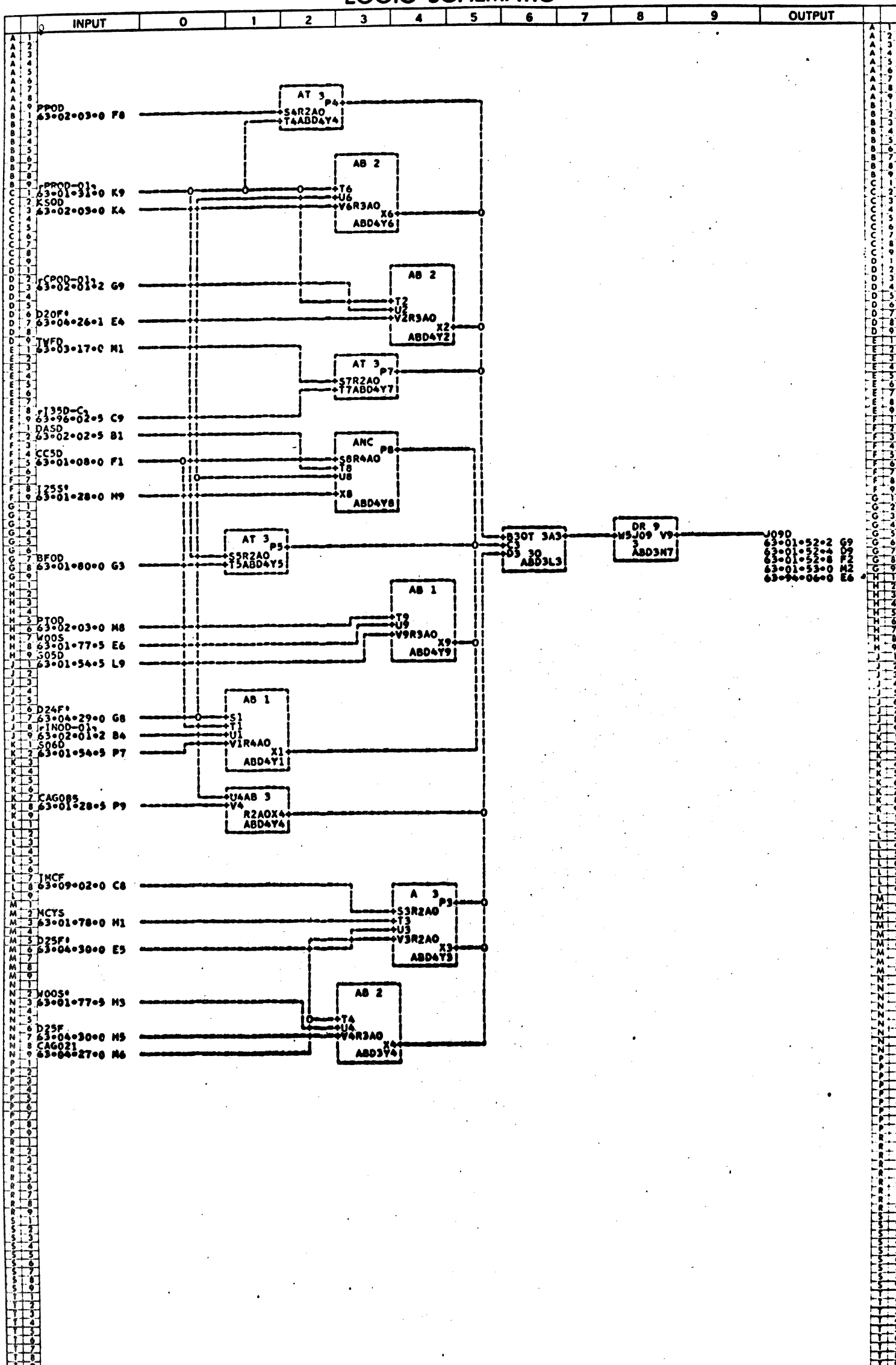


U 2	INPUT	0	1	2	3	4	5	6	7	8	9	OUTPUT	U 2			
U 2	TITLE	JUMP TO SEQUENCE COUNT ON DRIVER										M- 11202389AE	U 2			
U 4	DRAWN BY	R J MILLER										8-22-61	CHECKED BY	SNOGRASS	8-24-61	U 4
U 6	UNIT NAME	INPUT-OUTPUT CONTROL UNIT MODEL 3										UNIT NO.	16303125	U 6		
U 8	SYSTEM	B5500										PAGE NO.	63-01-29-0	U 8		

ELECTRODATA **Burroughs Corporation** **PASADENA CALIFORNIA**
 M & E DIVISION

PROPERTY OF BURROUGHS CORPORATION NOT TO BE REPRODUCED, NOR USED FOR MANUFACTURING PURPOSES, EXCEPT ON BURROUGHS ORDER OR PRIOR WRITTEN CONSENT

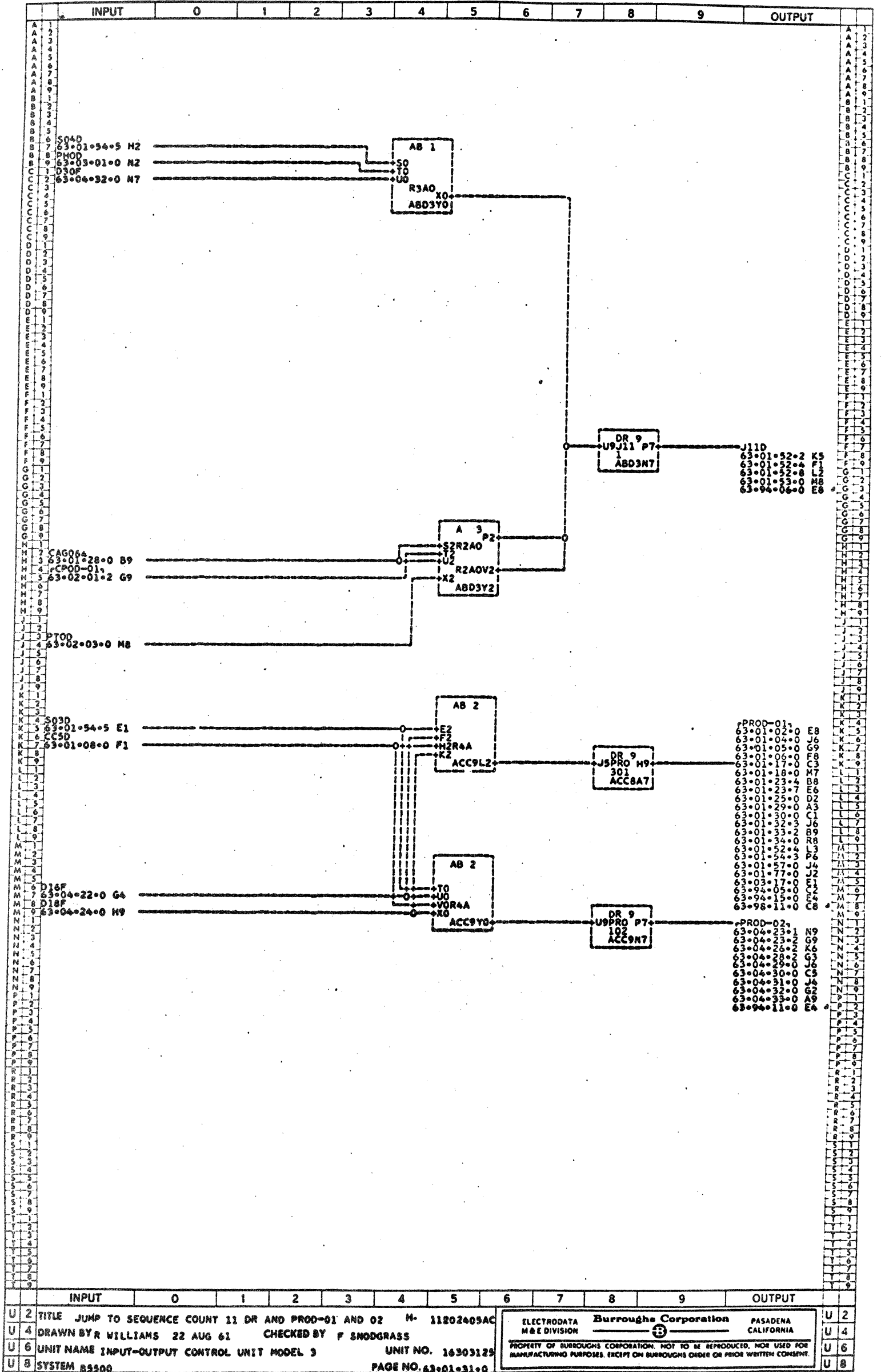
LOGIC SCHEMATIC



	INPUT	0	1	2	3	4	5	6	7	8	9	OUTPUT	
U 2	TITLE JUMP TO SEQUENCE COUNT OF DRIVER												U 2
U 4	DRAWN BY WILLIAMS 22 AUG 61 CHECKED BY SNOGRASS 8-24-61												U 4
U 6	UNIT NAME INPUT-OUTPUT CONTROL UNIT MODEL 3												U 6
U 8	SYSTEM B5500												U 8

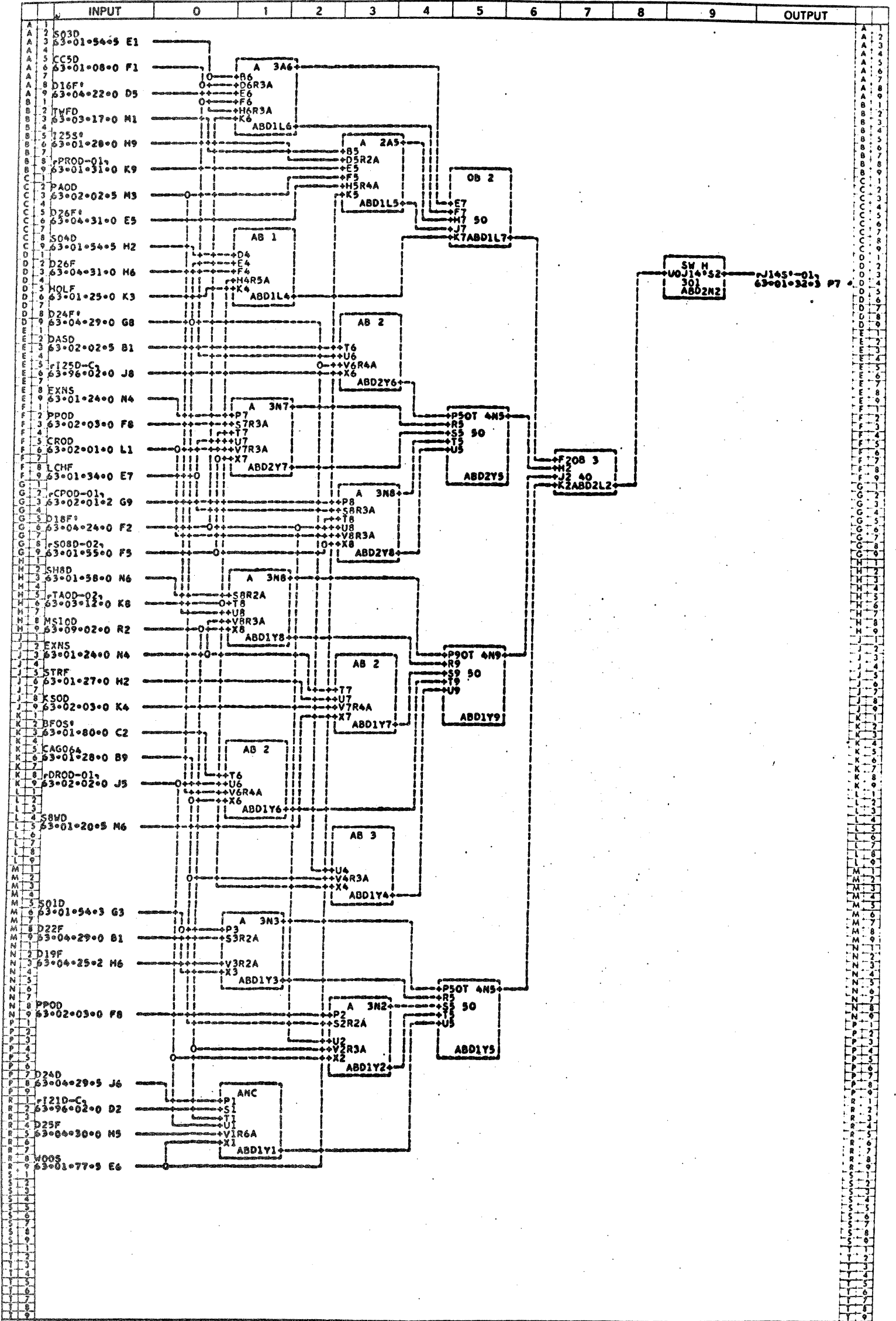
ELECTRODATA **Burrhoughs Corporation** PASADENA CALIFORNIA
 M&E DIVISION
 PROPERTY OF BURROUGHS CORPORATION. NOT TO BE REPRODUCED, NOR USED FOR MANUFACTURING PURPOSES, EXCEPT ON BURROUGHS ORDER OR PRIOR WRITTEN CONSENT.

LOGIC SCHEMATIC



U 2	TITLE	JUMP TO SEQUENCE COUNT 11 DR AND PROD-01 AND 02	M- 11202409AC	ELECTRODATA	Burroughs Corporation	PASADENA	U 2
U 4	DRAWN BY	WILLIAMS	22 AUG 61	CHECKED BY	F SNODGRASS	CALIFORNIA	U 4
U 6	UNIT NAME	INPUT-OUTPUT CONTROL UNIT MODEL 3		UNIT NO.	16303129	PROPERTY OF BURROUGHS CORPORATION. NOT TO BE REPRODUCED, NOR USED FOR MANUFACTURING PURPOSES, EXCEPT ON BURROUGHS ORDER OR PRIOR WRITTEN CONSENT.	U 6
U 8	SYSTEM	B3500		PAGE NO.	63-01-31-0		U 8

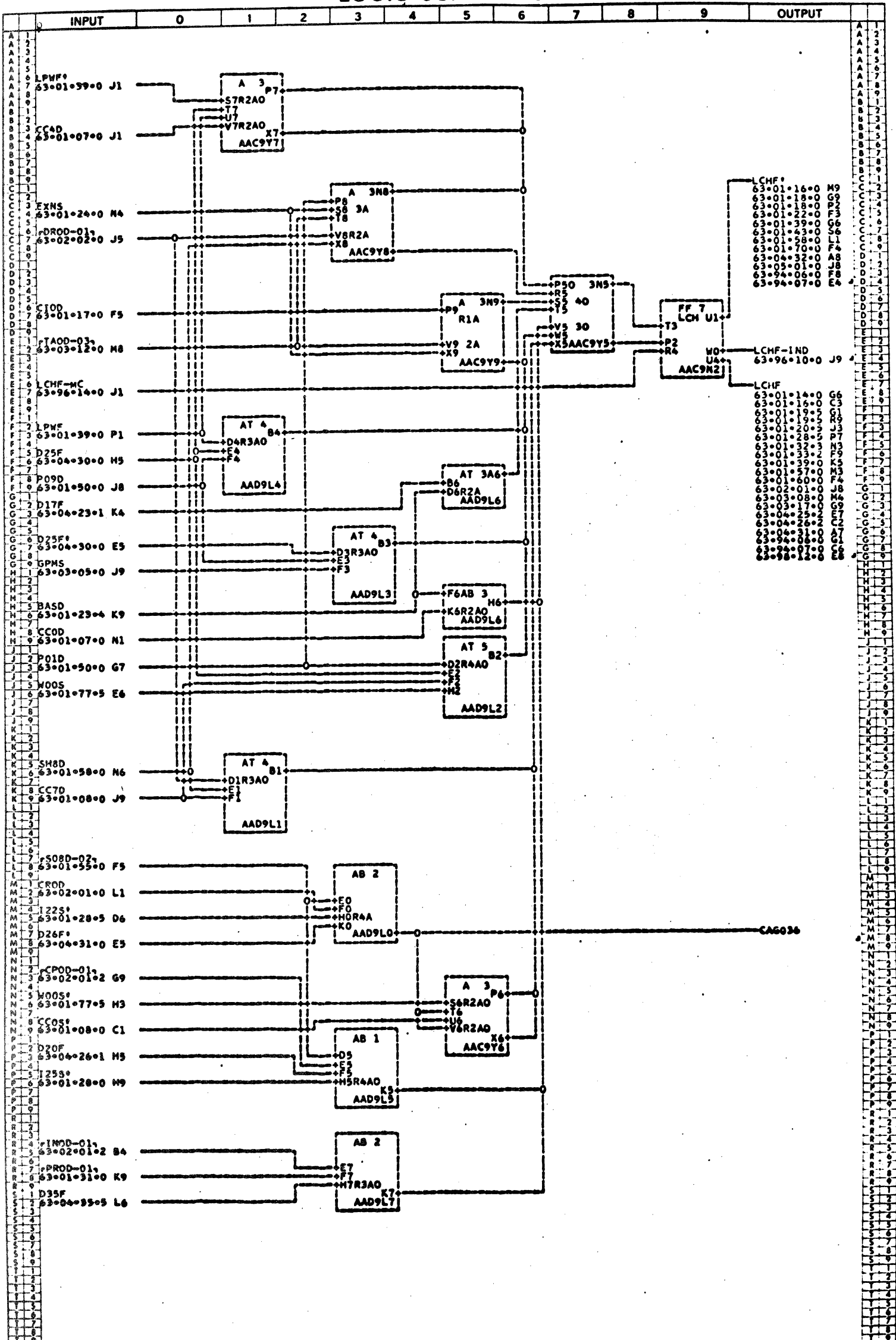
LOGIC SCHEMATIC



	INPUT	0	1	2	3	4	5	6	7	8	9	OUTPUT
U 2	TITLE	JUMP TO SEQUENCE COUNT 14 SWITCH										H- 11202421AA
U 4	DRAWN BY	ROLLIN MANN										CHECKED BY DUDLEY SHEPHERD
U 6	UNIT NAME	INPUT-OUTPUT CONTROL UNIT MODEL 3										UNIT NO. 16303125
U 8	SYSTEM	B5500										PAGE NO. 63-01-33-2

Burroughs Corporation
 ELECTRODATA M & E DIVISION PASADENA CALIFORNIA
 PROPERTY OF BURROUGHS CORPORATION NOT TO BE REPRODUCED, NOR USED FOR MANUFACTURING PURPOSES, EXCEPT ON BURROUGHS ORDER OR PRICE WRITTEN CONSENT

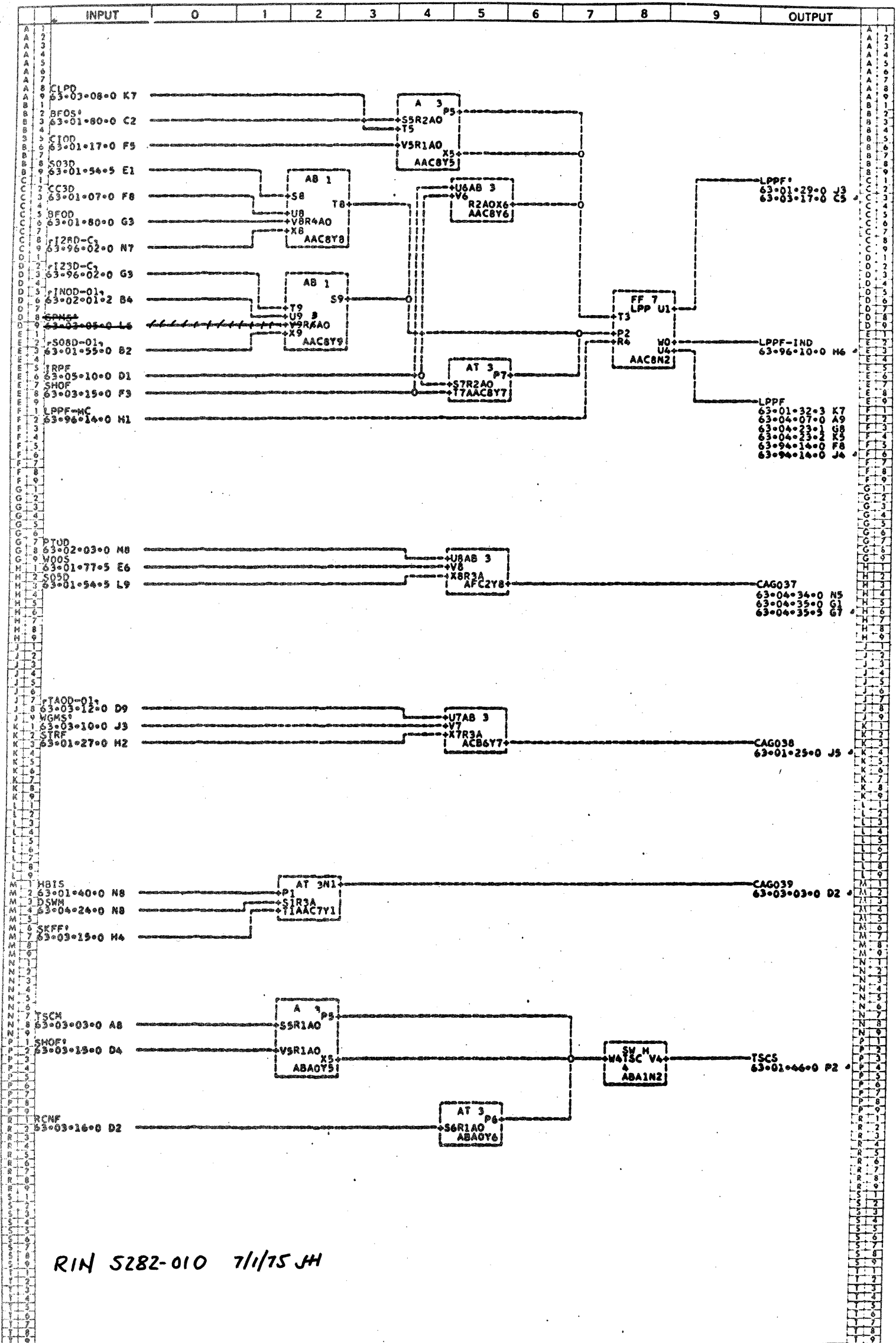
LOGIC SCHEMATIC



	INPUT	0	1	2	3	4	5	6	7	8	9	OUTPUT
U 2	TITLE LAST CHARACTER FF - LMPF AND CAG036											
U 4	DRAWN BY R J MILLER 8-23-61 CHECKED BY SNOGRASS 8-24-61											
U 6	UNIT NAME INPUT-OUTPUT CONTROL UNIT MODEL 3											
U 8	SYSTEM B5500											

ELECTRODATA M & E DIVISION	Burroughs Corporation	PASADENA CALIFORNIA
PROPERTY OF BURROUGHS CORPORATION. NOT TO BE REPRODUCED, NOR USED FOR MANUFACTURING PURPOSES, EXCEPT ON BURROUGHS ORDER OR PRIOR WRITTEN CONSENT.		

LOGIC SCHEMATIC



RIN 5282-010 7/1/75 JH

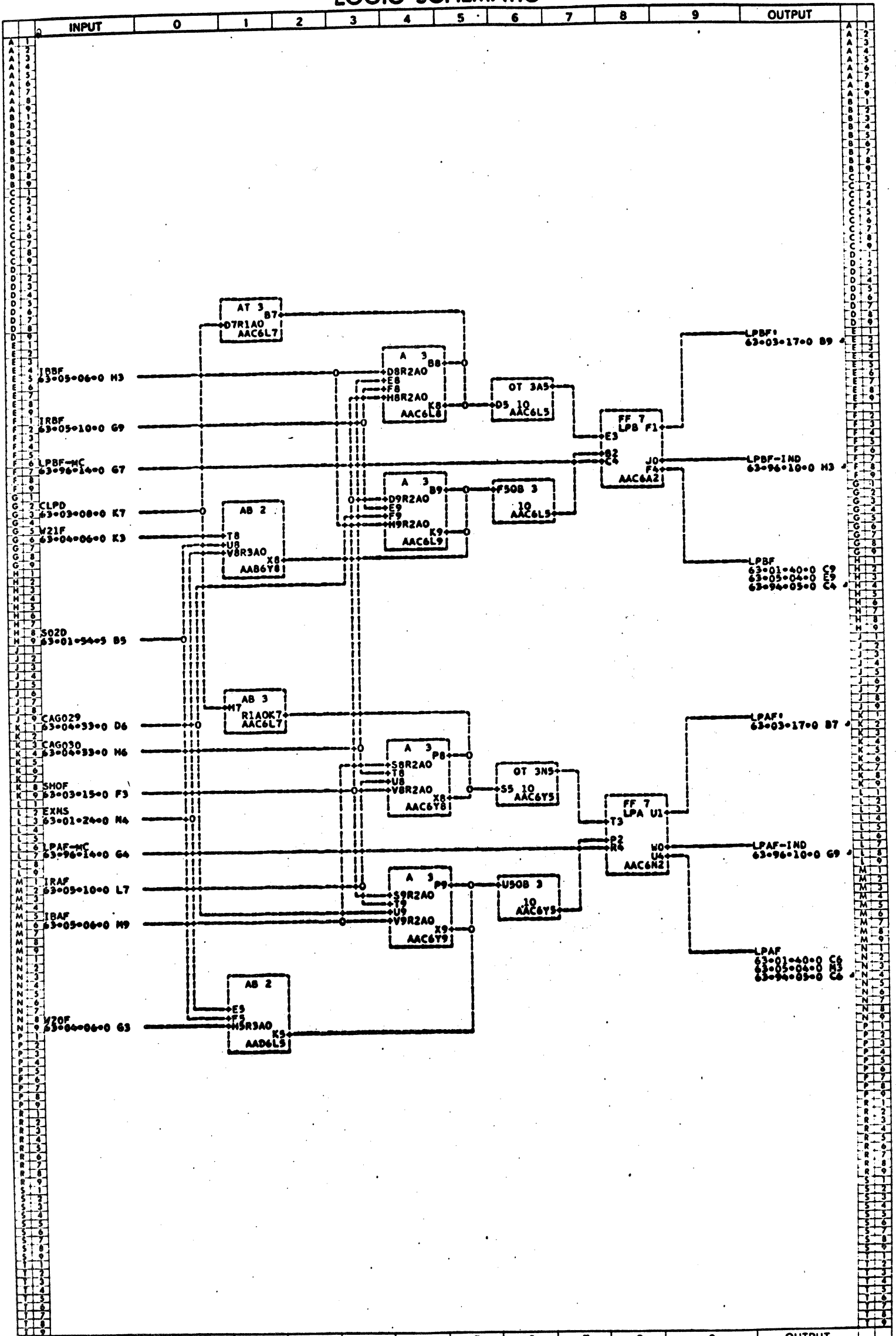
INPUT	0	1	2	3	4	5	6	7	8	9	OUTPUT
U 2	TITLE LONGITUDINAL PARITY FF-LPPF CAG 037-038-039 M- 1120247AC										U 2
U 4	DRAWN BY R WILLIAMS 23 AUG 61 CHECKED BY SNOUGRASS 8-23-61										U 4
U 6	UNIT NAME INPUT-OUTPUT CONTROL UNIT MODEL 3 UNIT NO. 16903125										U 6
U 8	SYSTEM B3100 PAGE NO. 63-01-33-0										U 8

ELECTRODATA
M&E DIVISION

Burroughs Corporation
PASADENA CALIFORNIA

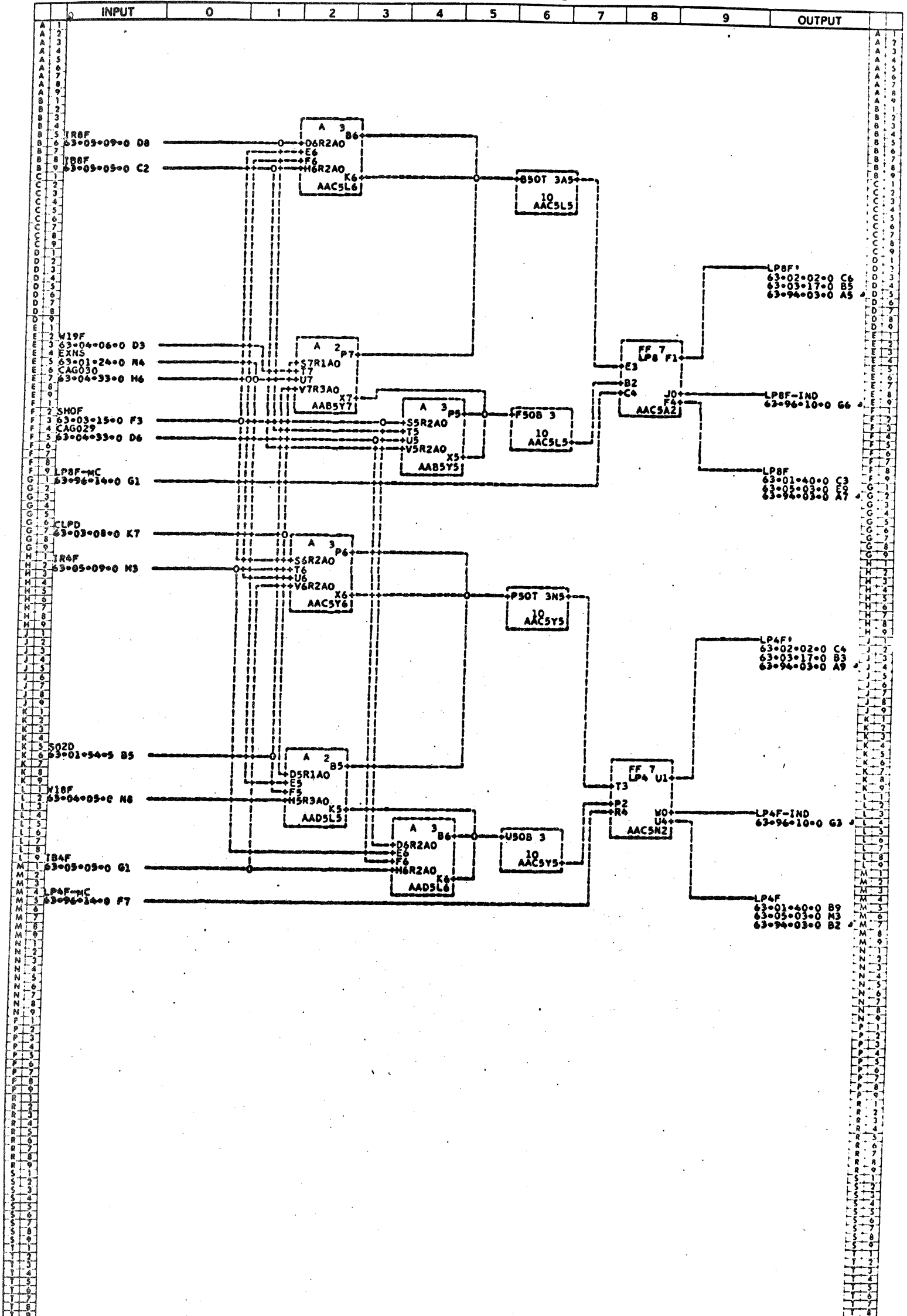
PROPERTY OF BURROUGHS CORPORATION. NOT TO BE REPRODUCED, NOR USED FOR MANUFACTURING PURPOSES, EXCEPT ON BURROUGHS ORDER OR PRIOR WRITTEN CONSENT.

LOGIC SCHEMATIC



	INPUT	0	1	2	3	4	5	6	7	8	9	OUTPUT
U 2	TITLE LONGITUDINAL PARITY FF'S LPBF-LPAF											M- 1120245AA
U 4	DRAWN BY R BUNTON 8-29-61 CHECKED BY SNOGRASS											ELECTRODATA
U 6	UNIT NAME INPUT-OUTPUT CONTROL UNIT MODEL 3											Burroughs Corporation
U 8	SYSTEM 89900											PASADENA CALIFORNIA
												PROPERTY OF BURROUGHS CORPORATION. NOT TO BE REPRODUCED, NOR USED FOR MANUFACTURING PURPOSES, EXCEPT ON BURROUGHS ORDER OR PRIOR WRITTEN CONSENT.

LOGIC SCHEMATIC

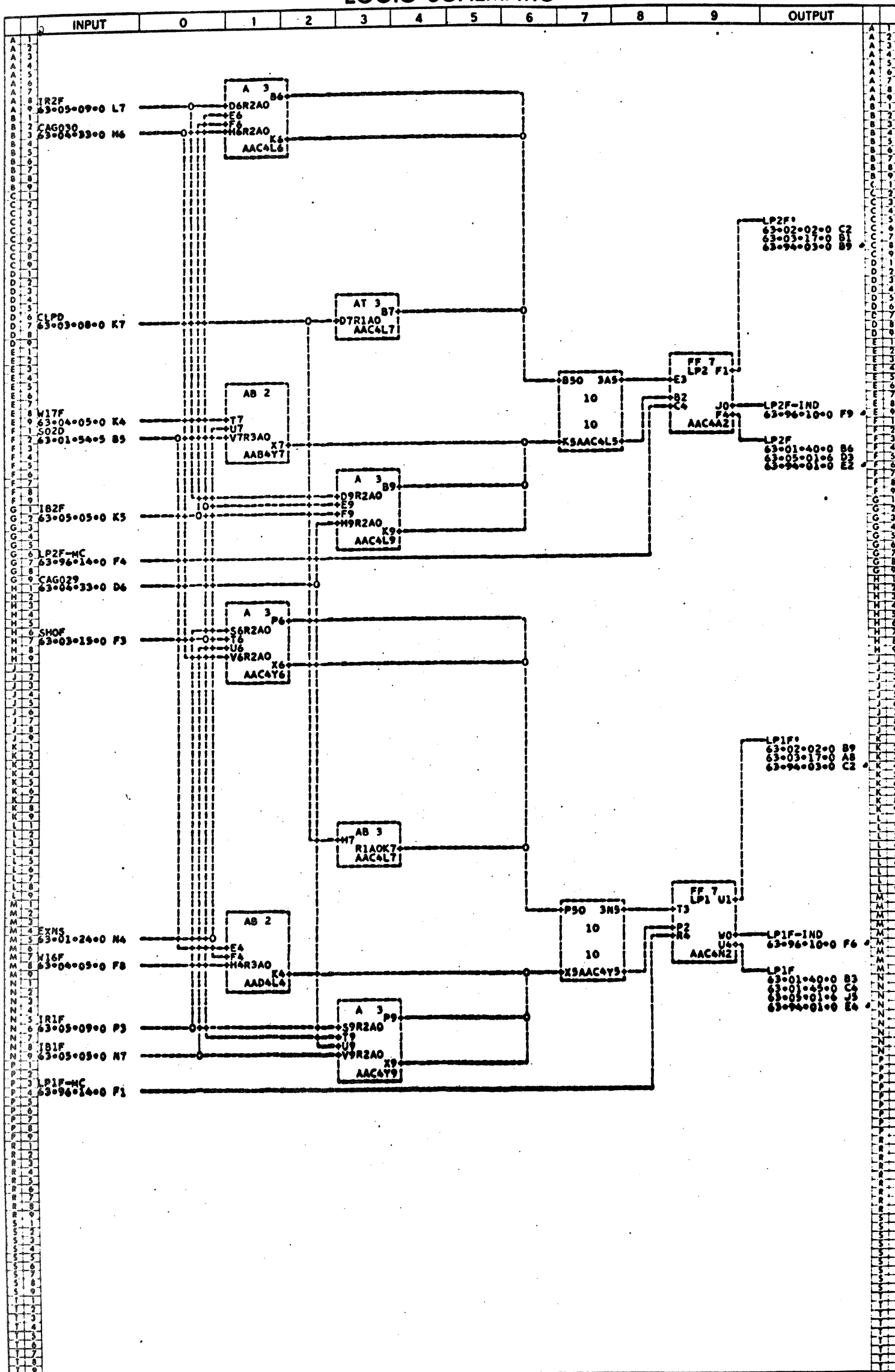


	INPUT	0	1	2	3	4	5	6	7	8	9	OUTPUT
U 2	TITLE LONGITUDINAL PARITY FF'S LP4F-LP4F M- 1120242AA											
U 4	DRAWN BY R WILLIAMS 24 AUG 61 CHECKED BY SNOGRASS JMZ 8-24-61											
U 6	UNIT NAME INPUT-OUTPUT CONTROL UNIT MODEL 3 UNIT NO. 16303129											
U 8	SYSTEM B5500 PAGE NO. 63-01-17-0											

ELECTRODATA **Burroughs Corporation** PASADENA CALIFORNIA
 M & E DIVISION

PROPERTY OF BURROUGHS CORPORATION. NOT TO BE REPRODUCED, NOR USED FOR MANUFACTURING PURPOSES, EXCEPT ON BURROUGHS ORDER OR PRIOR WRITTEN CONSENT.

LOGIC SCHEMATIC

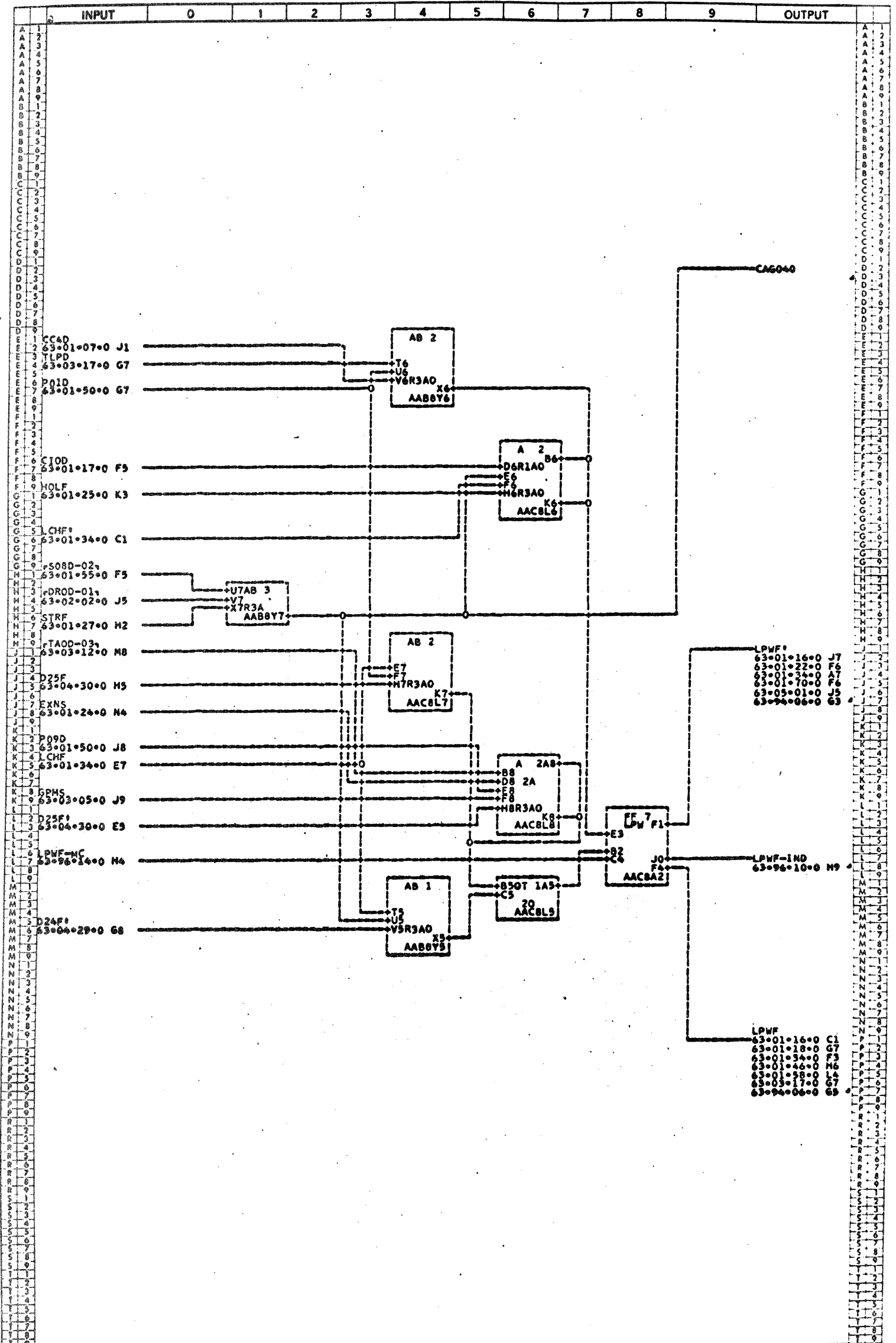


U 2	TITLE LONGITUDINAL PARITY FF'S LP2F-LP1F	M- 11202470AA	U 2
U 4	DRAWN BY R J MILLER	8-23-61 CHECKED BY SNOODGRASS JNZ 8-24-61	U 4
U 6	UNIT NAME INPUT-OUTPUT CONTROL UNIT MODEL 3	UNIT NO. 16303129	U 6
U 8	SYSTEM B5500	PAGE NO. 63-01-98-0	U 8

ELECTRODATA **Burroughs Corporation** PASADENA CALIFORNIA
M&E DIVISION

PROPERTY OF BURROUGHS CORPORATION. NOT TO BE REPRODUCED, NOR USED FOR MANUFACTURING PURPOSES, EXCEPT ON BURROUGHS ORDER OR PRIOR WRITTEN CONSENT.

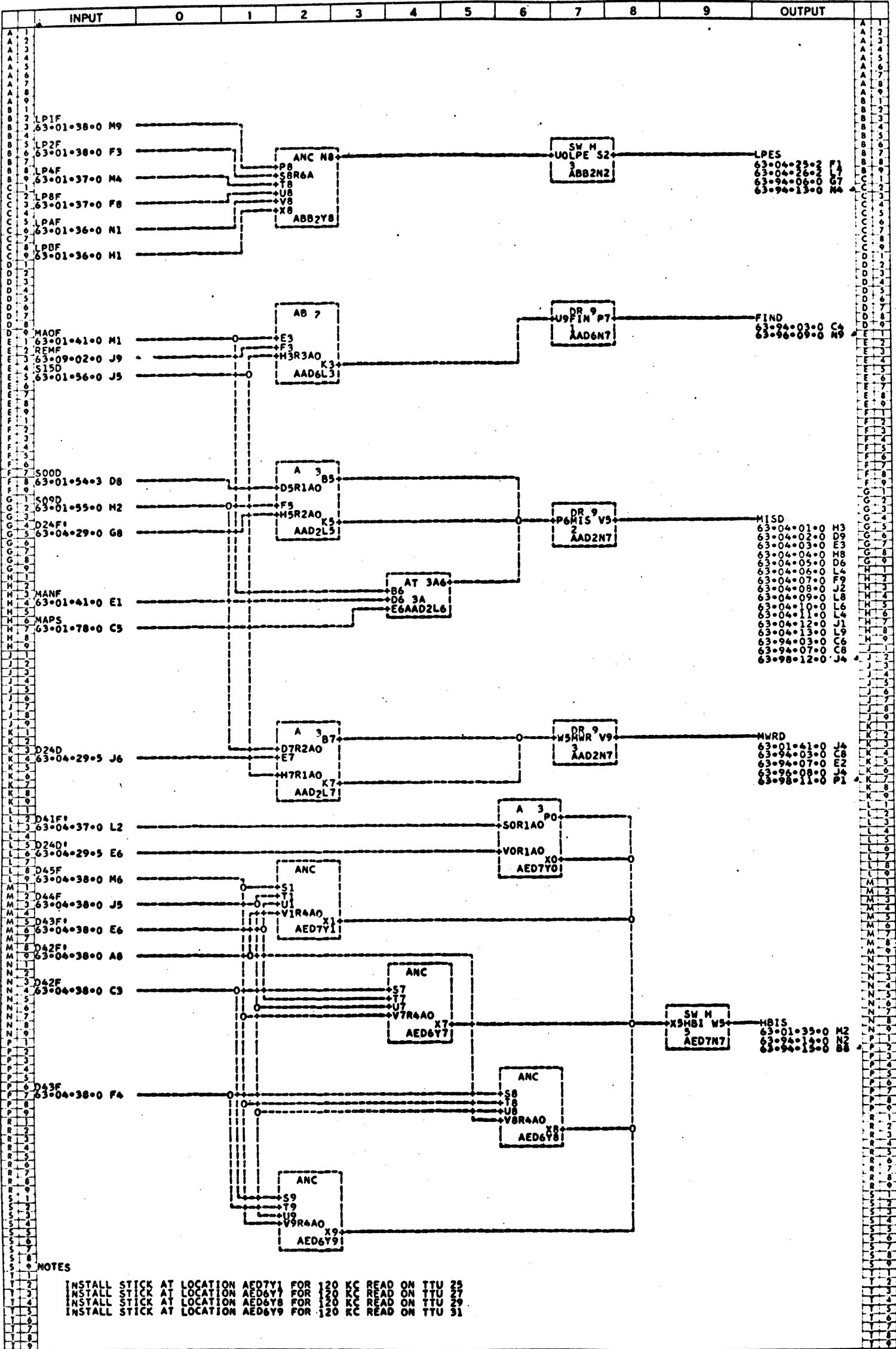
LOGIC SCHEMATIC



	INPUT	0	1	2	3	4	5	6	7	8	9	OUTPUT
U 2	TITLE LONGITUDINAL PARITY WRITE PF - LPWF AND CAG040-094M- 11202488AA											
U 4	DRAWN BY R BUNTON 8-24-61 CHECKED BY SNOODGRASS JNZ 8-24-61											
U 6	UNIT NAME INPUT-OUTPUT CONTROL UNIT MODEL 3 UNIT NO. 16303125											
U 8	SYSTEM B5500 PAGE NO. 63-01-39-0											

ELECTRODATA **Burroughs Corporation** PASADENA CALIFORNIA
 M&E DIVISION 3
PROPERTY OF BURROUGHS CORPORATION NOT TO BE REPRODUCED, NOR USED FOR MANUFACTURING PURPOSES, EXCEPT ON BURROUGHS ORDER OR PRIOR WRITTEN CONSENT

LOGIC SCHEMATIC

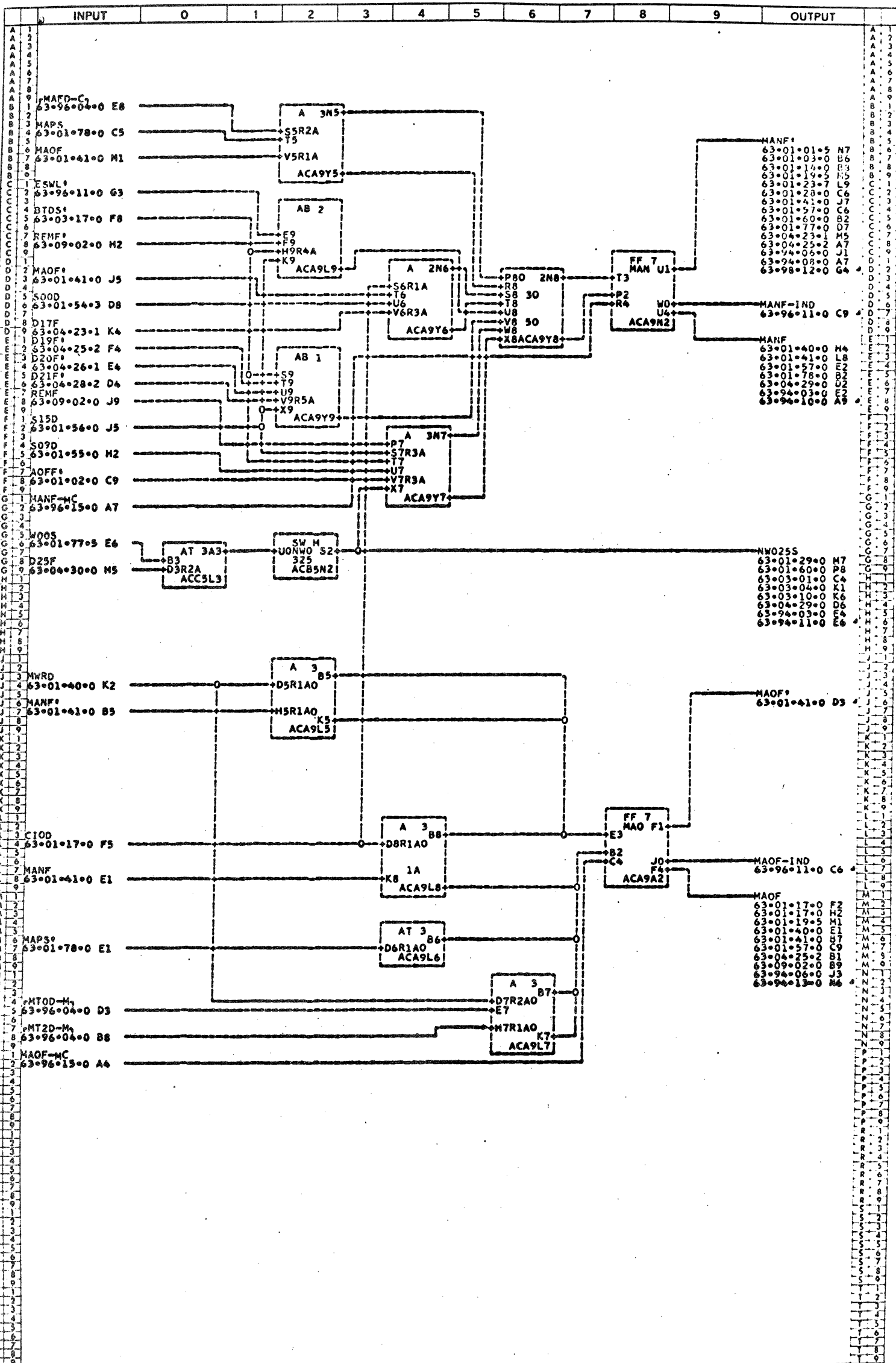


NOTES

- INSTALL STICK AT LOCATION AED7Y1 FOR 120 KC READ ON TTU 25
- INSTALL STICK AT LOCATION AED6Y7 FOR 120 KC READ ON TTU 27
- INSTALL STICK AT LOCATION AED6Y8 FOR 120 KC READ ON TTU 29
- INSTALL STICK AT LOCATION AED6Y9 FOR 120 KC READ ON TTU 31

INPUT	0	1	2	3	4	5	6	7	8	9	OUTPUT		
U 2	TITLE LPES-FIND-MISD-MWRD DRIVERS										M- 11202496AE	U 2	
U 4	DRAWN BY C.A. VIETOR 8-24-61										CHECKED BY SNOGRASS 8-25-61	ELECTRODATA PASADENA CALIFORNIA	U 4
U 6	UNIT NAME INPUT-OUTPUT CONTROL UNIT MODEL 3										UNIT NO. 16303125	PROPERTY OF BURROUGHS CORPORATION. NOT TO BE REPRODUCED, NOT USED FOR MANUFACTURING PURPOSES, EXCEPT ON BURROUGHS ORDER OR PRIOR WRITTEN CONSENT	U 6
U 8	SYSTEM B5300										PAGE NO. 63-01-60-00	U 8	

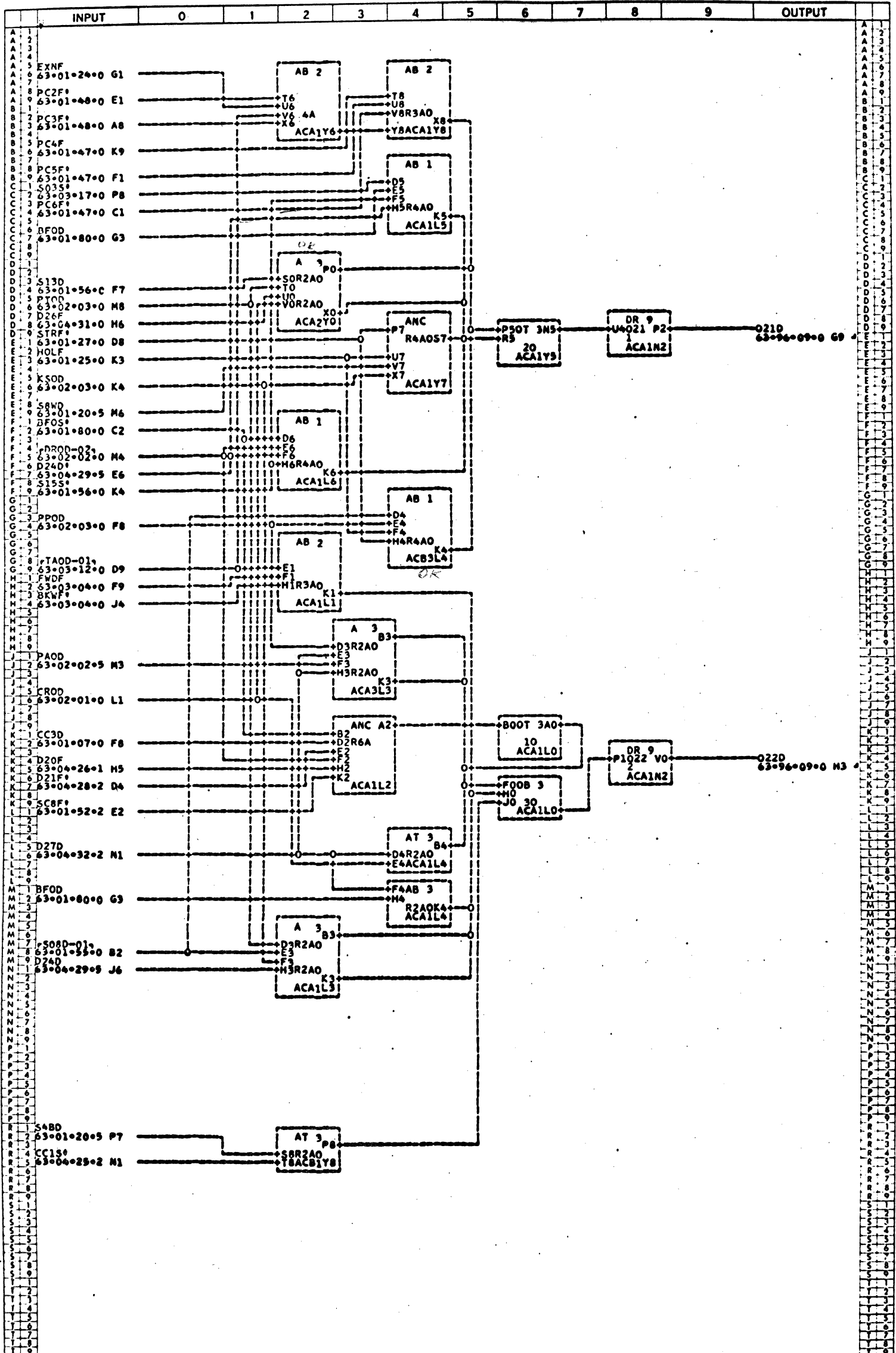
LOGIC SCHEMATIC



INPUT	0	1	2	3	4	5	6	7	8	9	OUTPUT
U 2	TITLE MEMORY ACCESS FF'S MANF-MAOF - NW0255										U 2
U 4	DRAWN BY R J MILLER 8-24-61 CHECKED BY SMOGRASS 8-25-61										U 4
U 6	UNIT NAME INPUT-OUTPUT CONTROL UNIT MODEL 3										U 6
U 8	SYSTEM B3300										U 8

ELECTRODATA **Burroughs Corporation** **PASADENA CALIFORNIA**
 M & E DIVISION
 PROPERTY OF BURROUGHS CORPORATION. NOT TO BE REPRODUCED, NOR USED FOR MANUFACTURING PURPOSES, EXCEPT ON BURROUGHS ORDER OR PRIOR WRITTEN CONSENT.

LOGIC SCHEMATIC

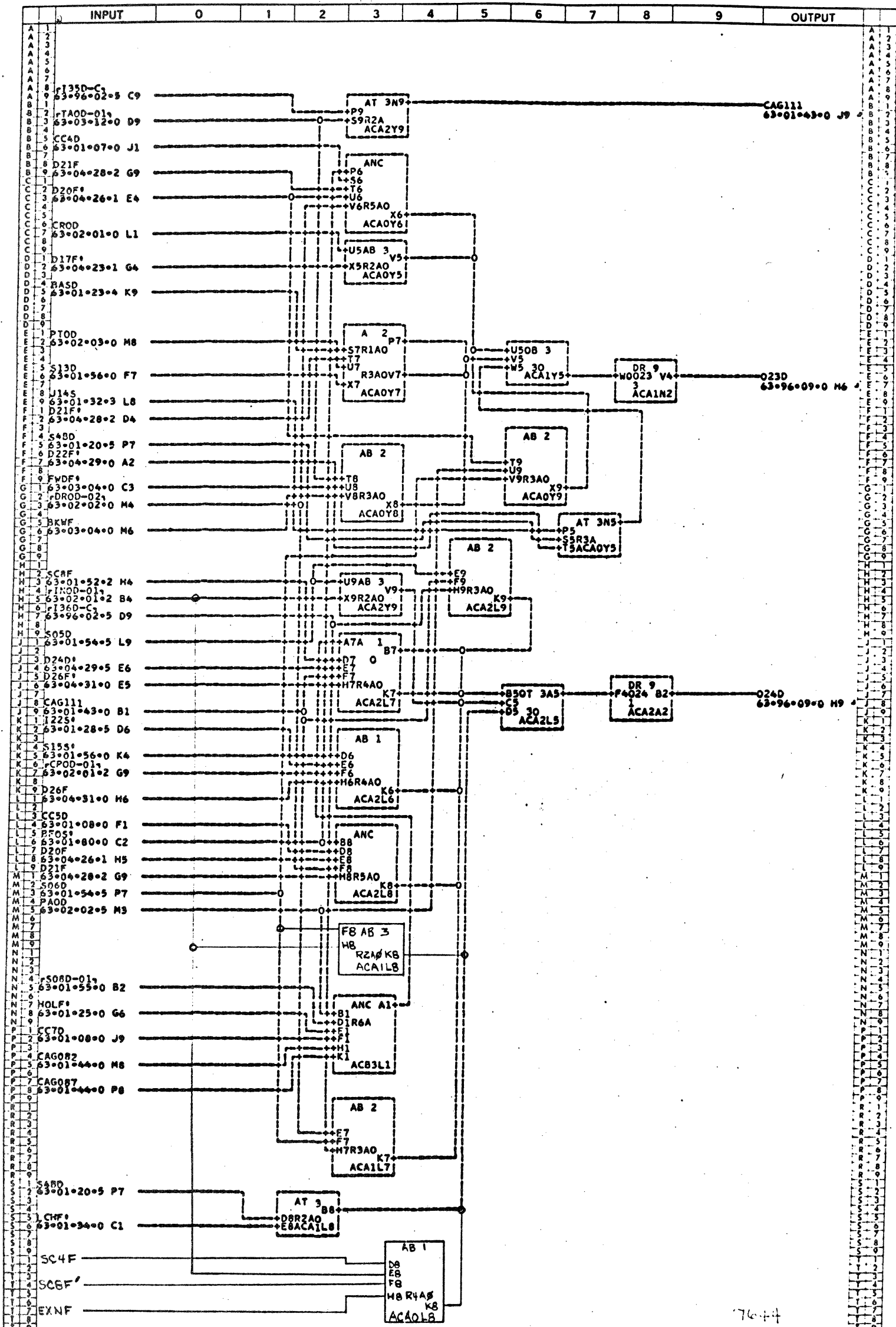


INPUT	0	1	2	3	4	5	6	7	8	9	OUTPUT	
U 2	TITLE OUTPUT DRIVERS 0210-0220										M- 11202912AA	U 2
U 4	DRAWN BYR WILLIAMS 24-AUG-61										CHECKED BY SNOGRASS	U 4
U 6	UNIT NAME INPUT-OUTPUT CONTROL UNIT MODEL 3										UNIT NO. 16303125	U 6
U 8	SYSTEM B5500										PAGE NO. 63-01-42-0	U 8

ELECTRODATA **Burroughs Corporation** PASADENA CALIFORNIA
 M & E DIVISION

PROPERTY OF BURROUGHS CORPORATION. NOT TO BE REPRODUCED, NOR USED FOR MANUFACTURING PURPOSES, EXCEPT ON BURROUGHS ORDER OR PRIOR WRITTEN CONSENT.

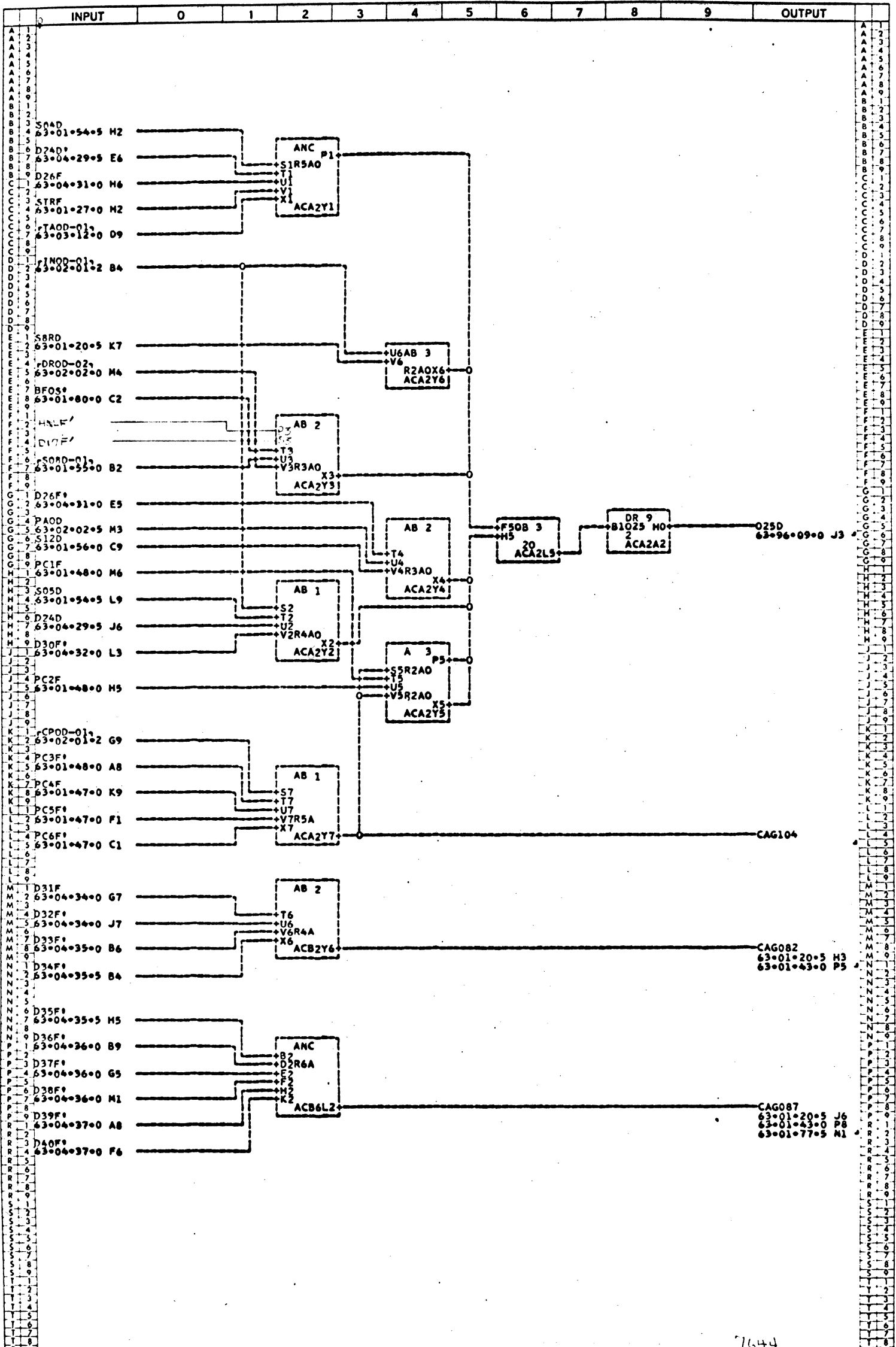
LOGIC SCHEMATIC



U 2	TITLE	0	1	2	3	4	5	6	7	8	9	OUTPUT	U 2
U 2	OUTPUT DRIVERS O23D-O24D												U 2
U 4	DRAWN BY R R BUNTON 8-24-61												U 4
U 6	CHECKED BY SNODGRASS 8-25-61												U 6
U 8	UNIT NAME INPUT-OUTPUT CONTROL UNIT MODEL 3												U 8
	UNIT NO. 16303125												
	PAGE NO. 63-01-63-0												

ELECTRODATA **Burroughs Corporation** PASADENA CALIFORNIA
 M & E DIVISION
 PROPERTY OF BURROUGHS CORPORATION. NOT TO BE REPRODUCED, NOR USED FOR MANUFACTURING PURPOSES EXCEPT ON BURROUGHS ORDER OR PRIOR WRITTEN CONSENT.

LOGIC SCHEMATIC



7644

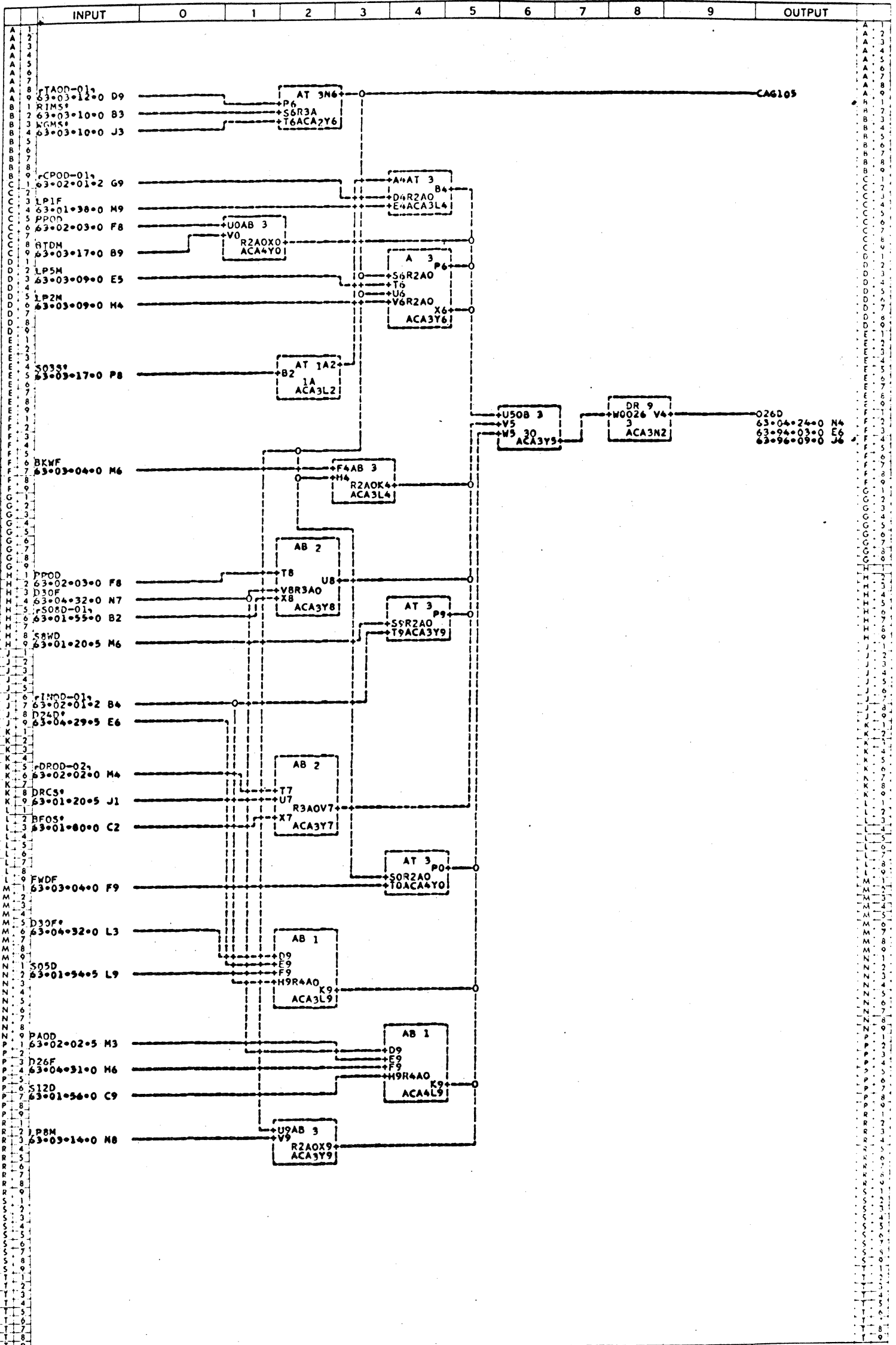
INPUT	0	1	2	3	4	5	6	7	8	9	OUTPUT
U 2	TITLE OUTPUT DRIVER 025D - CAG082 - CAG087 AND CAG104 M- 11202598AA										U 2
U 4	DRAWN BY C.A. VIETOR 8-24-61 CHECKED BY SNOGRASS 8-25-61										U 4
U 6	UNIT NAME INPUT-OUTPUT CONTROL UNIT MODEL 3 UNIT NO. 16303129										U 6
U 8	SYSTEM B5500 PAGE NO. 63-01-44-00										U 8

ELECTRODATA **Burroughs Corporation** PASADENA CALIFORNIA

M&E DIVISION

PROPERTY OF BURROUGHS CORPORATION NOT TO BE REPRODUCED, NOR USED FOR MANUFACTURING PURPOSES, EXCEPT ON BURROUGHS ORDER OR PRIOR WRITTEN CONSENT.

LOGIC SCHEMATIC

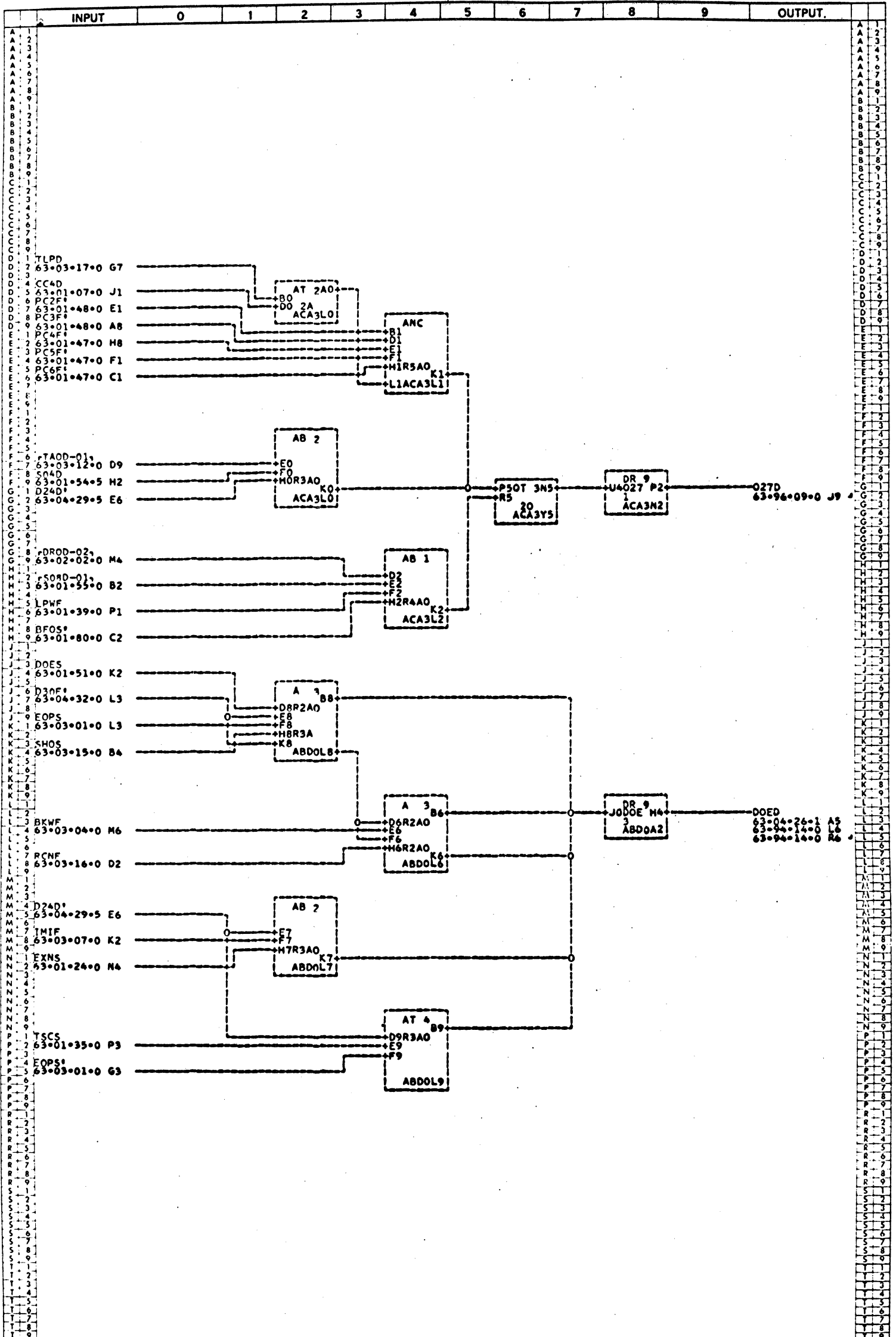


INPUT	0	1	2	3	4	5	6	7	8	9	OUTPUT
U 2	TITLE OUTPUT DRIVER O26D AND CAG105										U 2
U 4	DRAWN BY R WILLIAMS 24 AUG 61 CHECKED BY SNOGRASS 8-25-61										U 4
U 6	UNIT NAME INPUT-OUTPUT CONTROL UNIT MODEL 3										U 6
U 8	SYSTEM B5500										U 8

Burroughs Corporation
 ELECTRODATA M & E DIVISION PASADENA CALIFORNIA
 PROPERTY OF BURROUGHS CORPORATION NOT TO BE REPRODUCED, NOR USED FOR MANUFACTURING PURPOSES EXCEPT ON BURROUGHS ORDER OR PRIOR WRITTEN CONSENT

M- 11202546AA
 UNIT NO. 16303125
 PAGE NO. 63-01-45-0

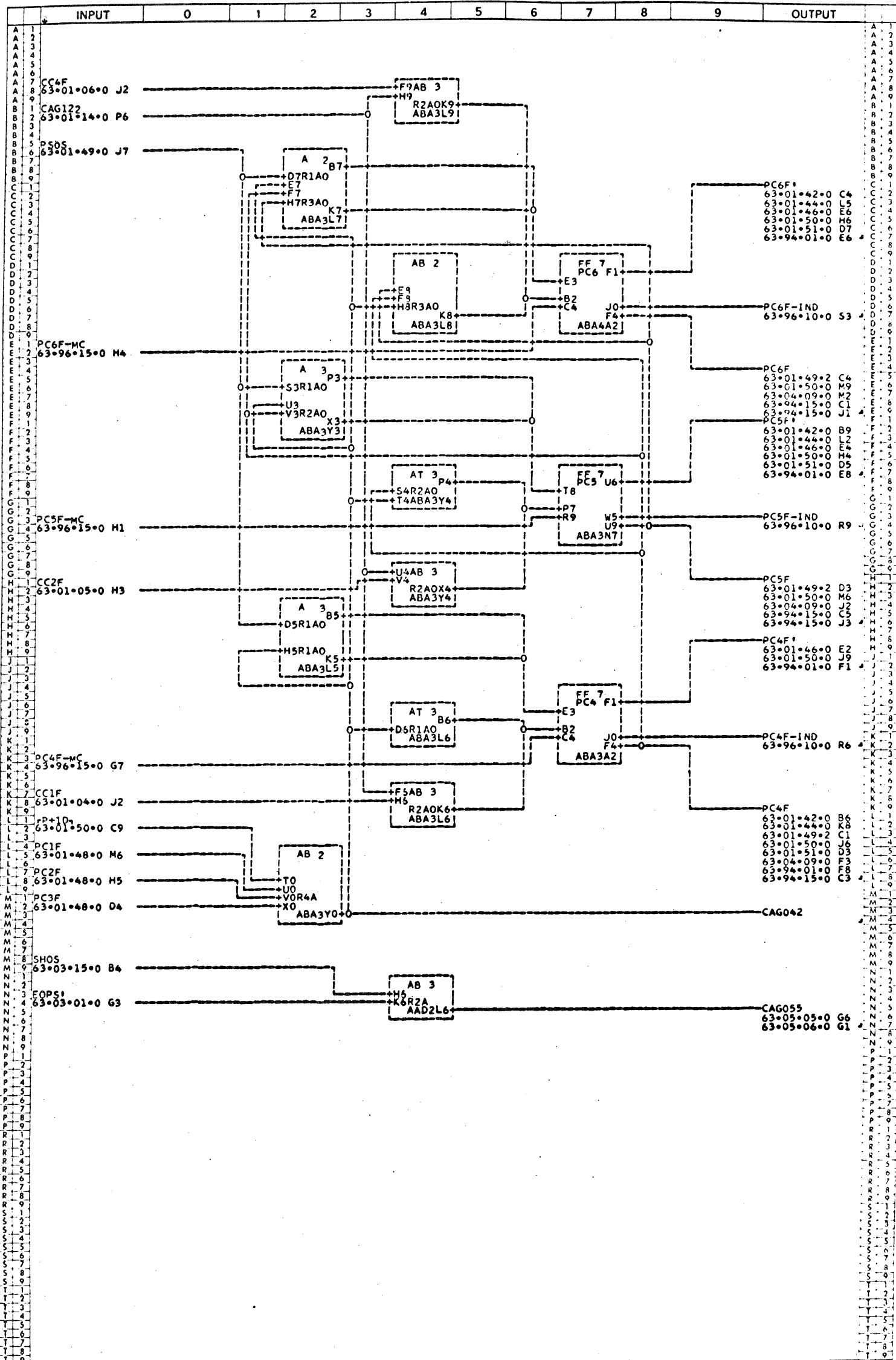
LOGIC SCHEMATIC



	INPUT	0	1	2	3	4	5	6	7	8	9	OUTPUT		
U 2	TITLE	OUTPUT DRIVER 027D											M- 11202553AB	U 2
U 4	DRAWN BY	WILLIAMS 24 AUG 61											CHECKED BY ENGLISH 8-25-61	U 4
U 6	UNIT NAME	INPUT-OUTPUT CONTROL UNIT MODEL 3											UNIT NO. 16303125	U 6
U 8	SYSTEM	R3500											PAGE NO. 43-01-66-0	U 8

Burroughs Corporation
ELECTRODATA M & E DIVISION
PASADENA CALIFORNIA
PROPERTY OF BURROUGHS CORPORATION. NOT TO BE REPRODUCED, NOR USED FOR MANUFACTURING PURPOSES, EXCEPT ON BURROUGHS ORDER OR PRIOR WRITTEN CONSENT.

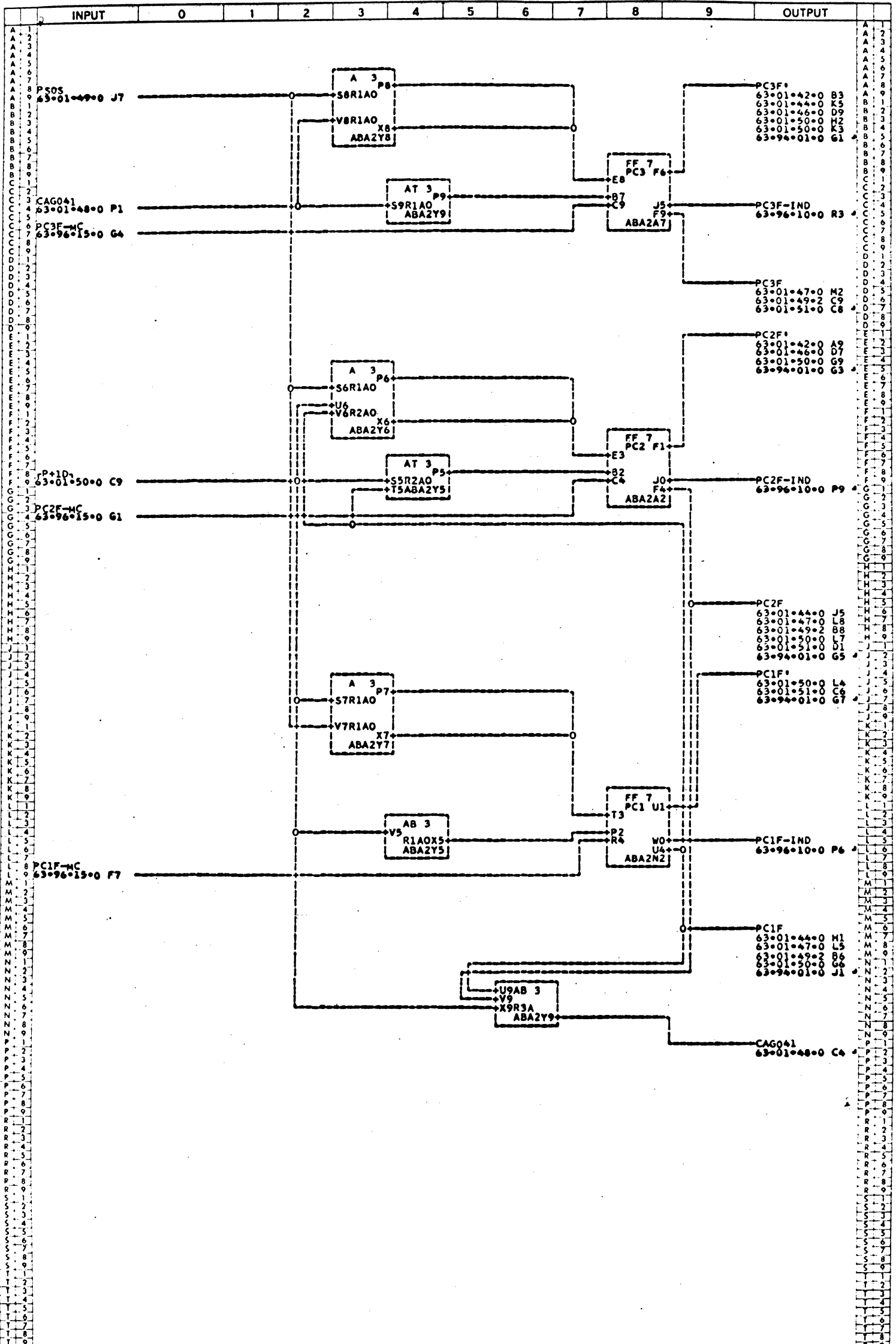
LOGIC SCHEMATIC



INPUT	0	1	2	3	4	5	6	7	8	9	OUTPUT
U 2	TITLE PULSE COUNTER FF'S PC6F-PC5F-PC4F AND CAG042 H- 11202561AE										U 2
U 4	DRAWN BY C A VIETOR 8-24-61 CHECKED BY SNODGRASS 8-26-61										U 4
U 6	UNIT NAME INPUT-OUTPUT CONTROL UNIT MODEL 3 UNIT NO. 16303125										U 6
U 8	SYSTEM B5500 PAGE NO. 63-01-67-0										U 8

Burroughs Corporation
 ELECTRODATA M & E DIVISION PASADENA CALIFORNIA
PROPERTY OF BURROUGHS CORPORATION NOT TO BE REPRODUCED, NOR USED FOR MANUFACTURING PURPOSES, EXCEPT ON BURROUGHS ORDER OR PRIOR WRITTEN CONSENT

LOGIC SCHEMATIC

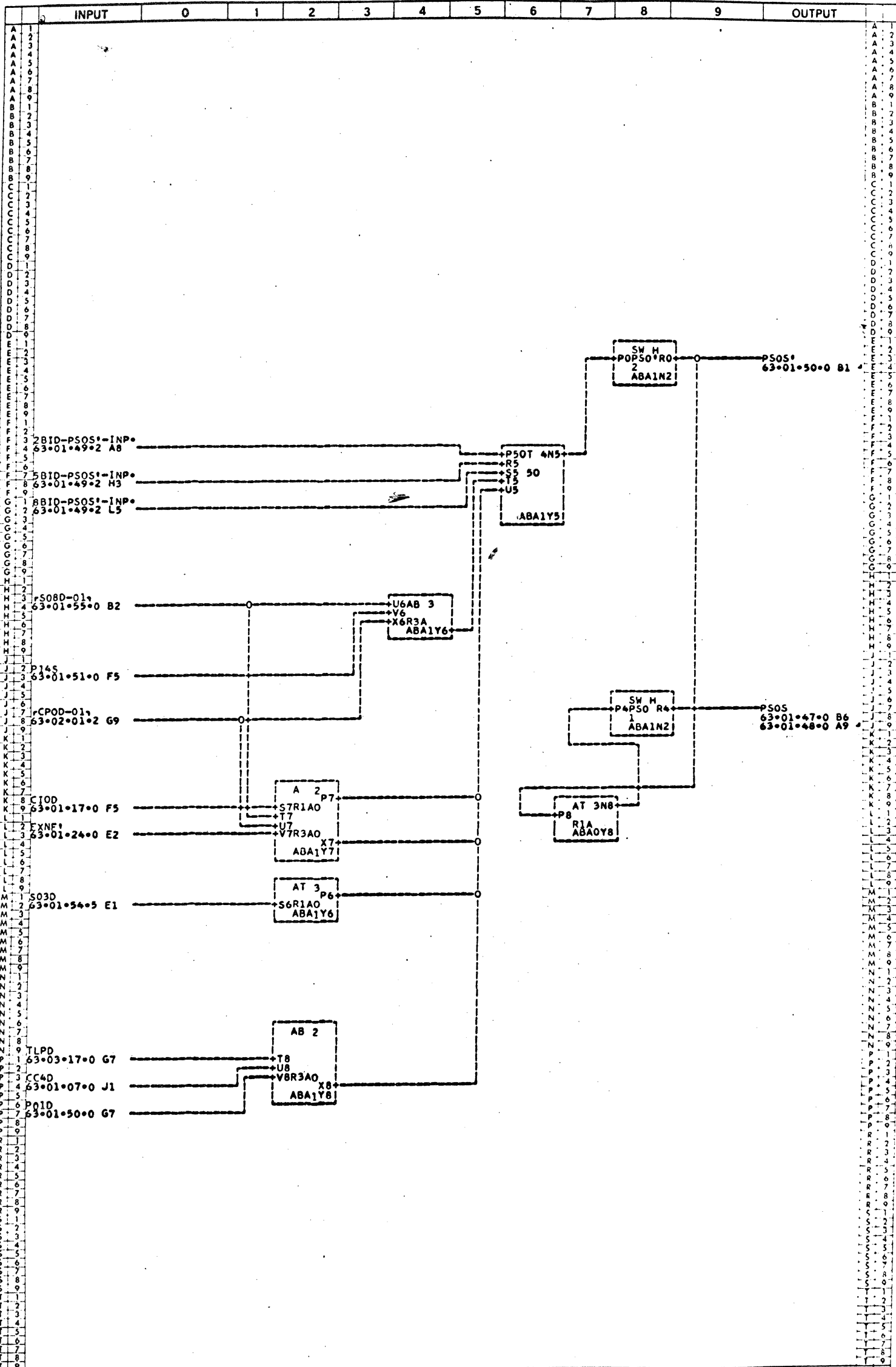


	INPUT	0	1	2	3	4	5	6	7	8	9	OUTPUT		
U 2	TITLE	PULSE COUNTER FF'S PC3F-PC2F-PC1F										M- 11202579AA	U 2	
U 4	DRAWN BY	WILLIAMS 25 AUG 61										CHECKED BY	SMOGRASS 8-29-61	U 4
U 6	UNIT NAME	INPUT-OUTPUT CONTROL UNIT MODEL 3										UNIT NO.	16303125	U 6
U 8	SYSTEM	B5300										PAGE NO.	63-01-48-0	U 8

ELECTRODATA **Burroughs Corporation** PASADENA CALIFORNIA
 M & E DIVISION

PROPERTY OF BURROUGHS CORPORATION NOT TO BE REPRODUCED, NOR USED FOR MANUFACTURING PURPOSES, EXCEPT ON BURROUGHS ORDER OR PRIOR WRITTEN CONSENT

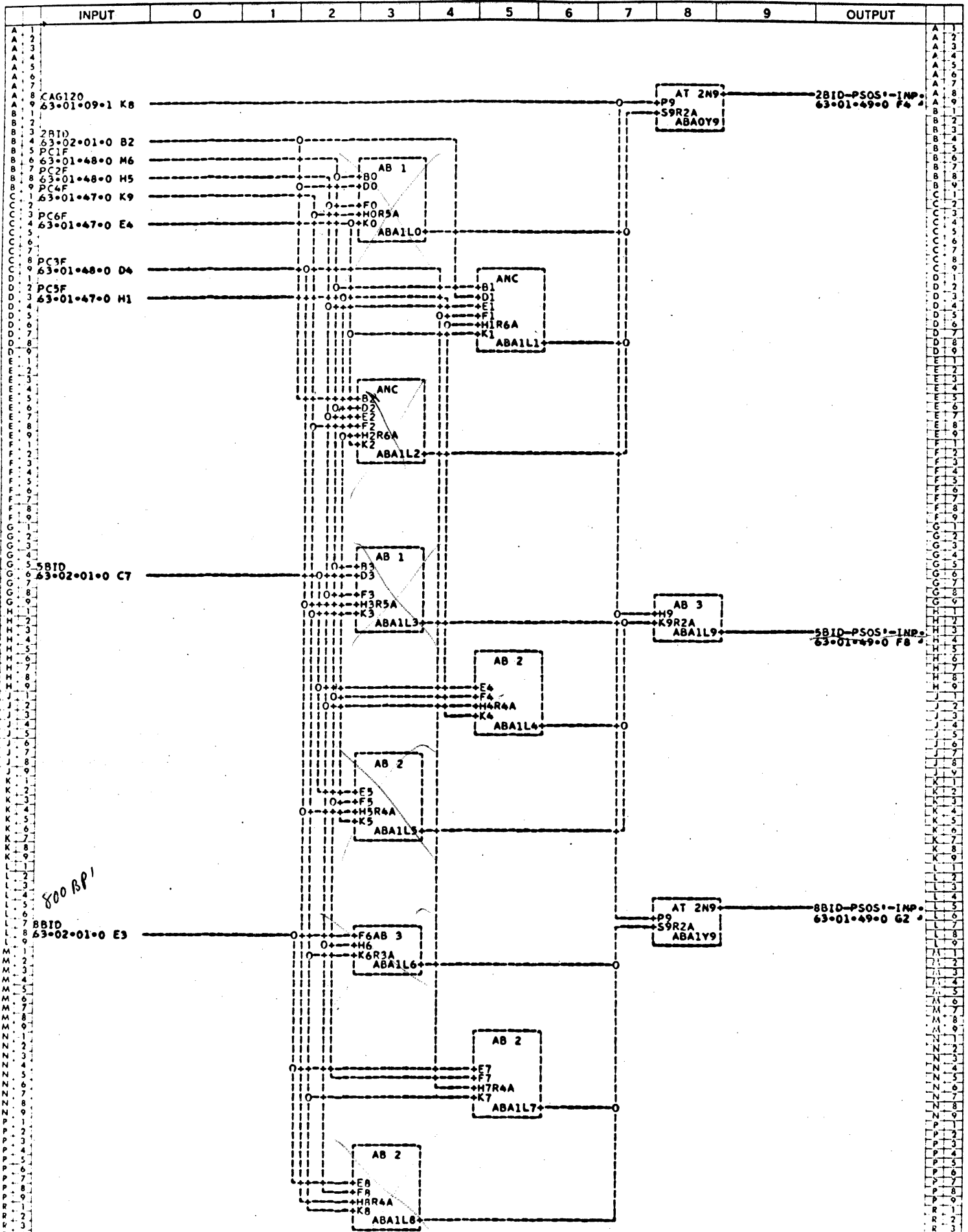
LOGIC SCHEMATIC



	INPUT	0	1	2	3	4	5	6	7	8	9	OUTPUT
U 2	TITLE PULSE COUNTER SET TO 0-SW-PS05-PS05* AND CAG055 M- 11202587AB											U 2
U 4	DRAWN BY C.A.VIETOR 8-24-61 CHECKED BY SNOGRASS											U 4
U 6	UNIT NAME INPUT-OUTPUT CONTROL UNIT MODEL 3 UNIT NO. 16303125											U 6
U 8	SYSTEM B5500 PAGE NO. 63*01*49*0											U 8

Burroughs Corporation
 ELECTRODATA M&E DIVISION PASADENA CALIFORNIA
PROPERTY OF BURROUGHS CORPORATION NOT TO BE REPRODUCED, NOR USED FOR MANUFACTURING PURPOSES, EXCEPT ON BURROUGHS ORDER OR PRIOR WRITTEN CONSENT

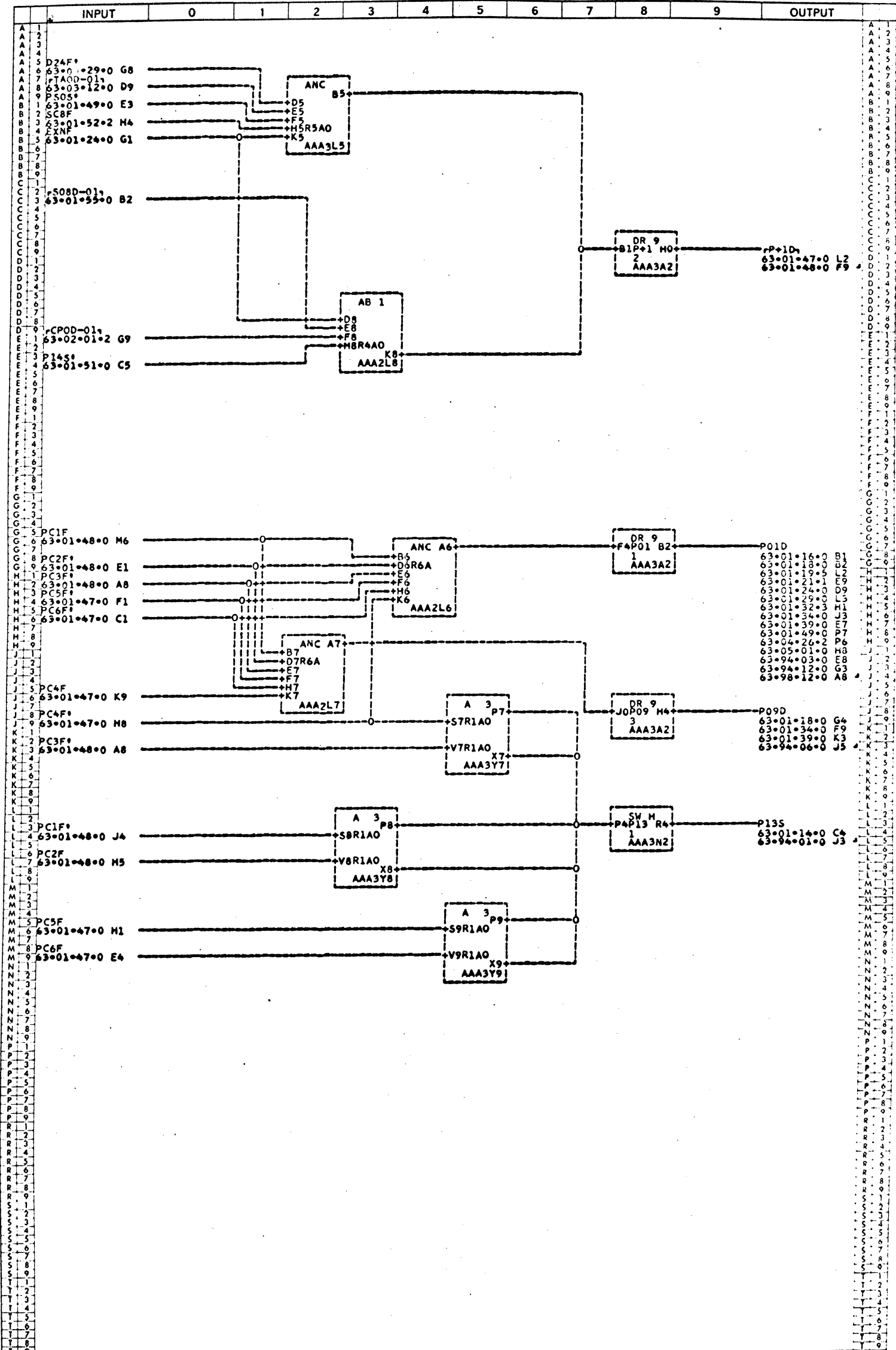
LOGIC SCHEMATIC



NOTES

- STICK LOCATION ABA1L0 FOR 24KC-120 IPS (200BPI) TAPE OPERATION NB
 - STICK LOCATION ABA1L1 FOR 18KC- 90 IPS (200BPI) TAPE OPERATION NB
 - STICK LOCATION ABA1L2 FOR 17KC- 83 IPS (200BPI) TAPE OPERATION NB
 - STICK LOCATION ABA1L3 FOR 67KC-120 IPS (555BPI) TAPE OPERATION NB
 - STICK LOCATION ABA1L4 FOR 50KC- 90 IPS (555BPI) TAPE OPERATION NB
 - STICK LOCATION ABA1L5 FOR 46KC- 83 IPS (555BPI) TAPE OPERATION NB
 - STICK LOCATION ABA1L6 FOR 96KC-120 IPS (800BPI) TAPE OPERATION NB
 - STICK LOCATION ABA1L7 FOR 72KC- 90 IPS (800BPI) TAPE OPERATION NB
 - STICK LOCATION ABA1L8 FOR 67KC- 83 IPS (800BPI) TAPE OPERATION NB
- NB USE AB 1 CUT FOR 2 DENSITY OPERATION OR ANC FOR 3 DENSITY OPERATION

LOGIC SCHEMATIC



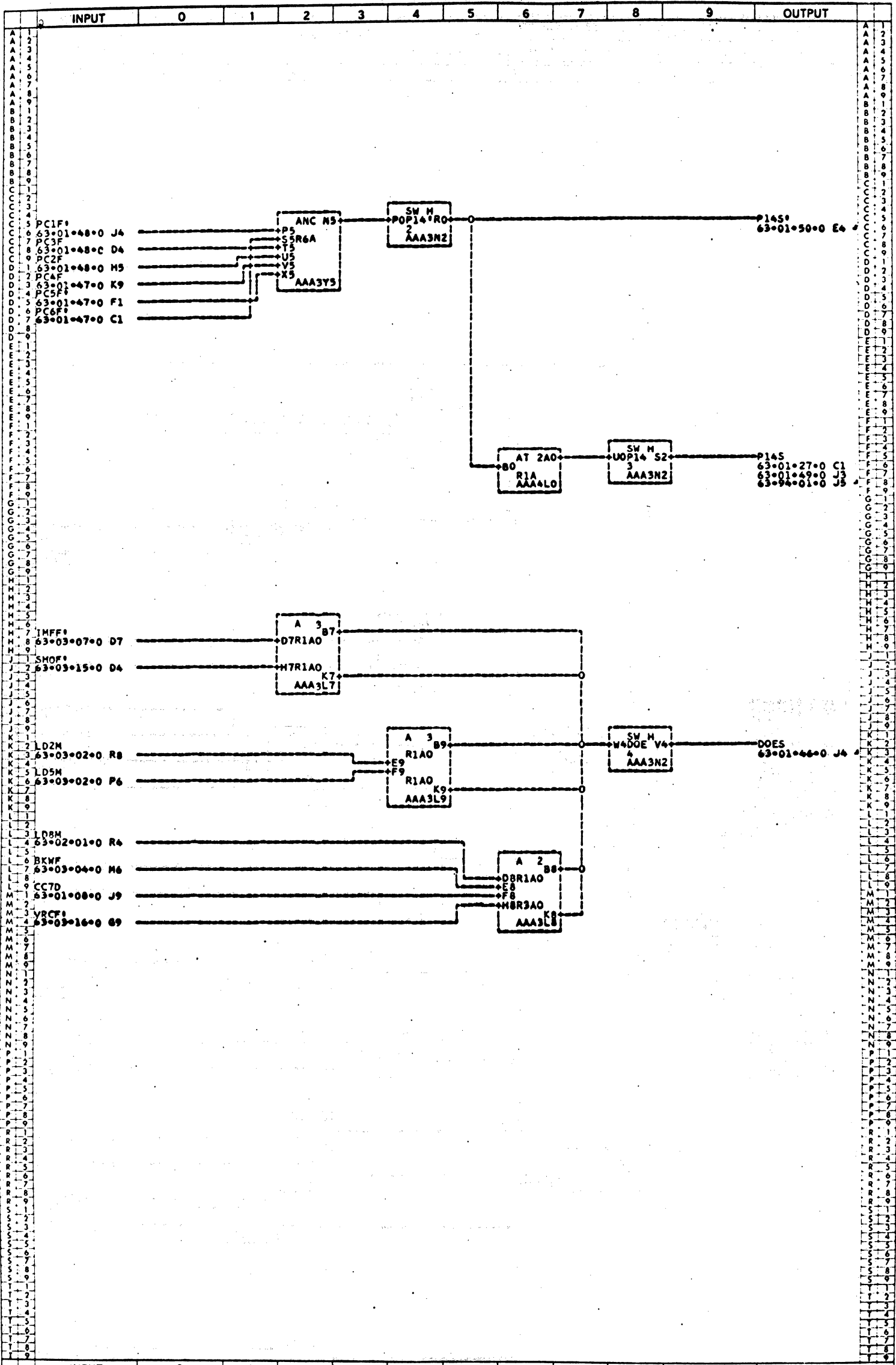
A	B	C	D	E	F	G	H	I	J	K	L	M	N	O	P	Q	R	S	T	U	V	W	X	Y	Z
U 2	TITLE PULSE COUNTER +1-EQ-7-EQ-13-P07D-P135																							U 2	
U 4	DRAWN BYR WILLIAMS 24 AUG 61 CHECKED BY SMOGRASS 8-26-61																							U 4	
U 6	UNIT NAME INPUT-OUTPUT CONTROL UNIT MODEL 3																							U 6	
U 8	SYSTEM B500																							U 8	

Burroughs Corporation

ELECTRODATA M&E DIVISION PASADENA CALIFORNIA

PROPERTY OF BURROUGHS CORPORATION NOT TO BE REPRODUCED, NOR USED FOR MANUFACTURING PURPOSES, EXCEPT ON BURROUGHS ORDER OR PRIOR WRITTEN CONSENT

LOGIC SCHEMATIC

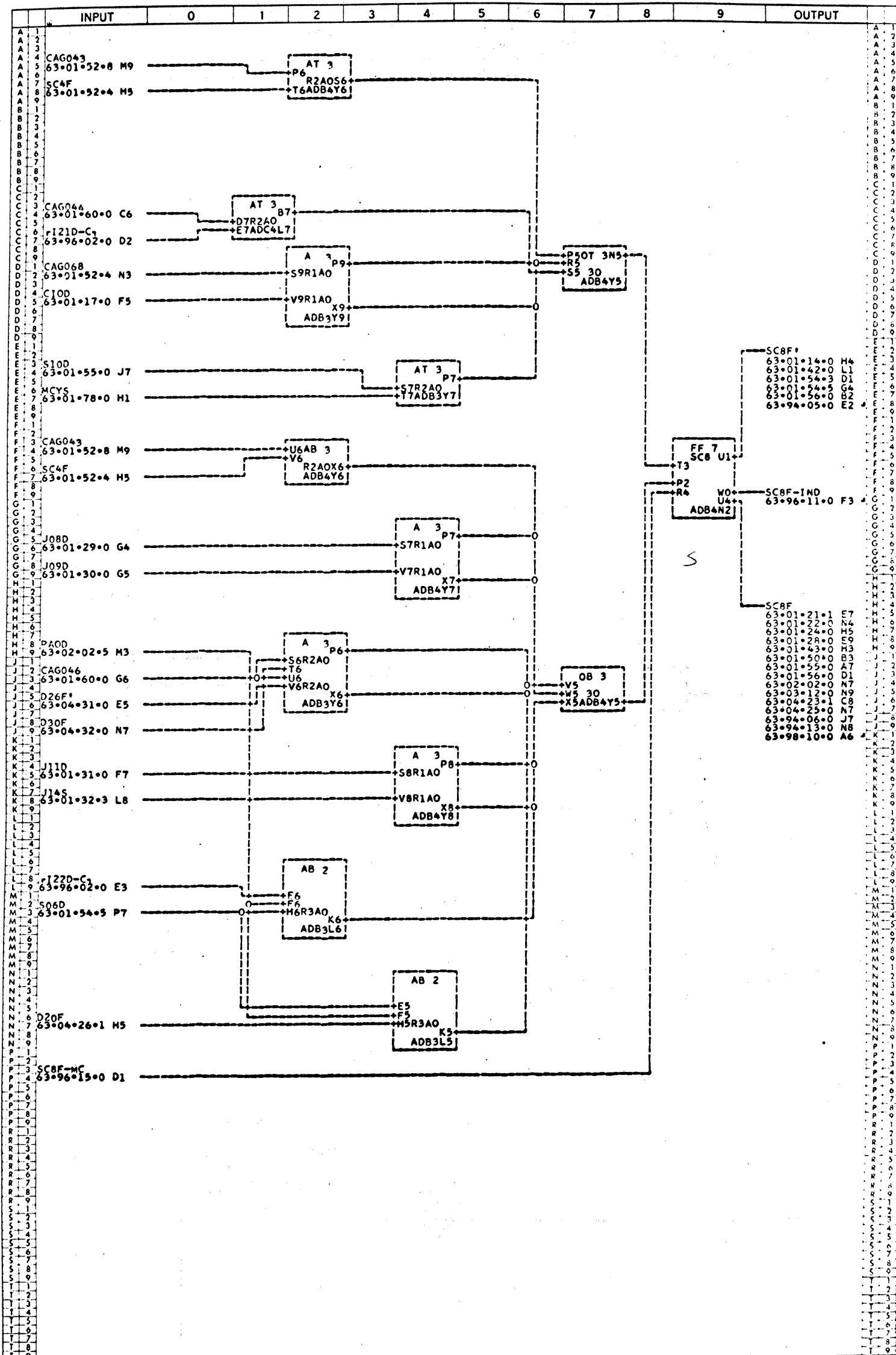


	INPUT	0	1	2	3	4	5	6	7	8	9	OUTPUT
U 2	TITLE PULSE COUNTER-EQ-14-14 ¹ -EQ-20-20 ¹ M- 11202603AA											U 2
U 4	DRAWN BY N MOGLE 8-25-61 CHECKED BY SNODGRASS 8-26-61											U 4
U 6	UNIT NAME INPUT-OUTPUT CONTROL UNIT MODEL 3 UNIT NO. 16303125											U 6
U 8	SYSTEM 89900 PAGE NO. 63-01-31-0											U 8

ELECTRODATA **Burroughs Corporation** **PASADENA CALIFORNIA**
 MBE DIVISION

PROPERTY OF BURROUGHS CORPORATION. NOT TO BE REPRODUCED, NOR USED FOR MANUFACTURING PURPOSES, EXCEPT ON BURROUGHS ORDER OR PRIOR WRITTEN CONSENT.

LOGIC SCHEMATIC



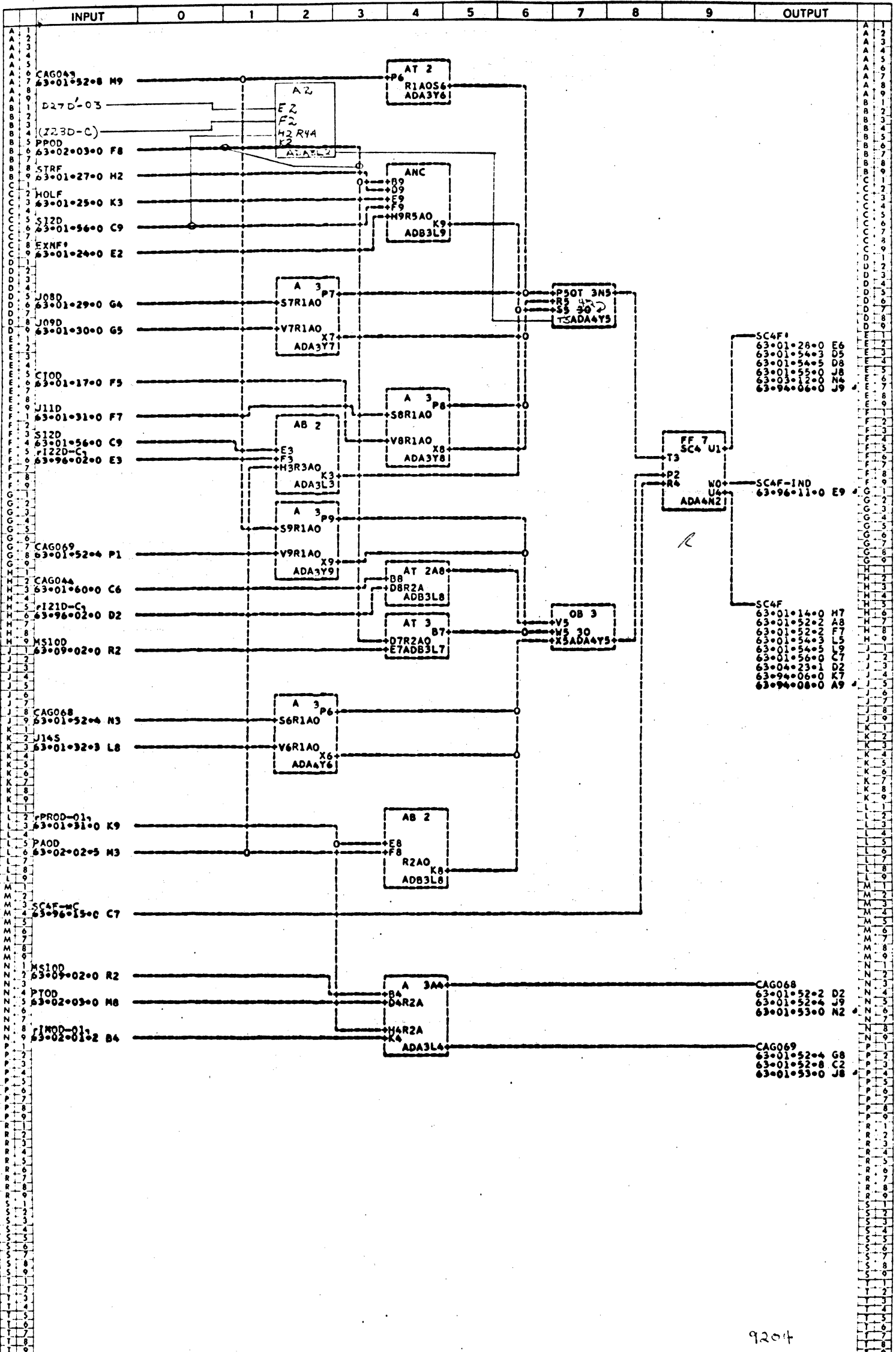
	INPUT	0	1	2	3	4	5	6	7	8	9	OUTPUT
U 2	TITLE SEQUENC FOUNTER FF SC8F											
U 4	DRAWN BY DOOLING CHECKED BY ZINES											
U 6	UNIT NAME INPUT-OUTPUT CONTROL UNIT MODEL 3											
U 8	SYSTEM B5500											

ELECTRODATA **Burroughs Corporation** PASADENA CALIFORNIA

M&E DIVISION

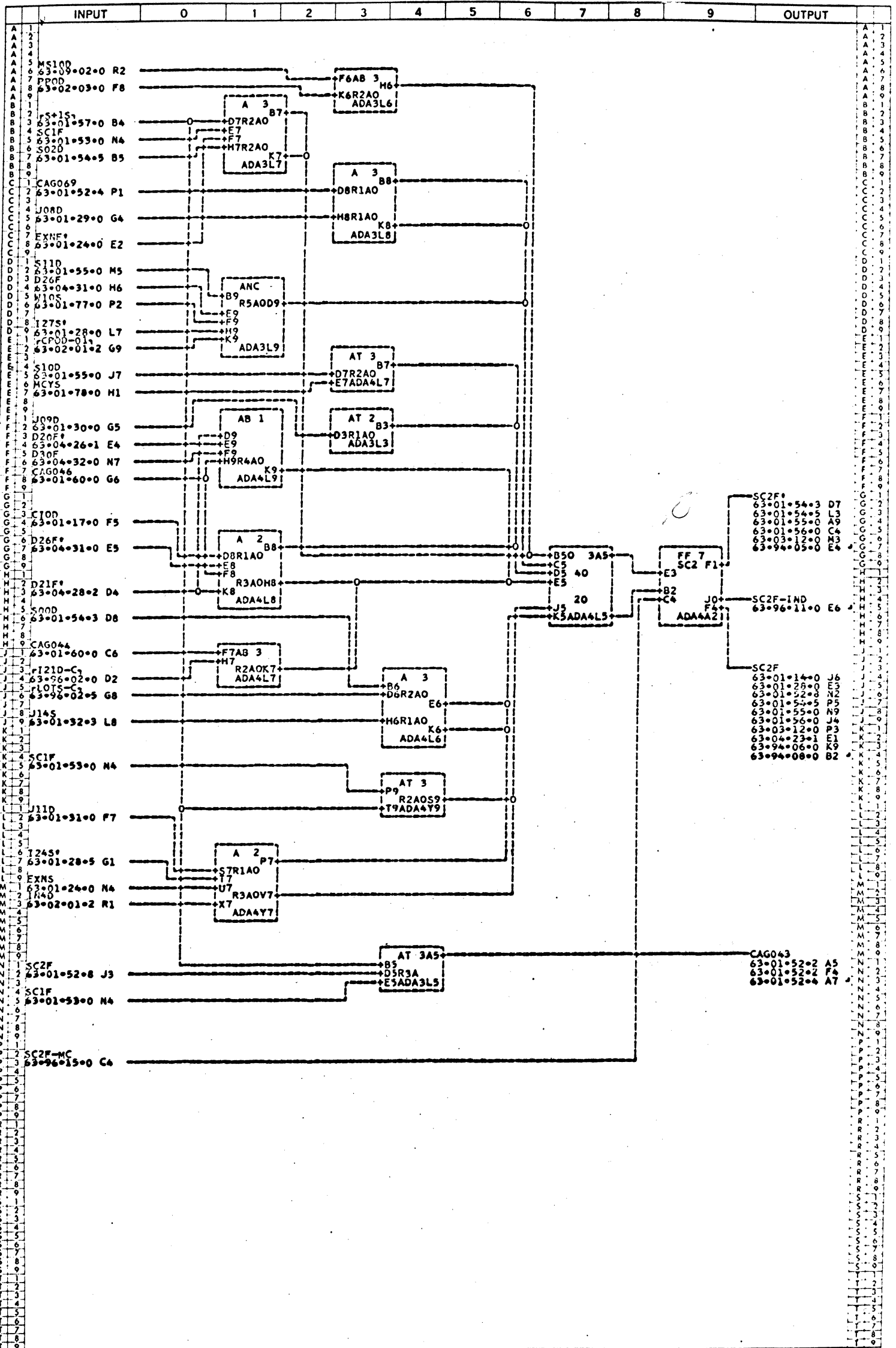
PROPERTY OF BURROUGHS CORPORATION NOT TO BE REPRODUCED, NOR USED FOR MANUFACTURING PURPOSES EXCEPT ON BURROUGHS ORDER OR PRIOR WRITTEN CONSENT

LOGIC SCHEMATIC



U 2	TITLE	SEQUENCE COUNTER FF SC4F CAG068 CAG069	M- 11202629AA	PASADENA CALIFORNIA	U 2
U 4	DRAWN BY	DOOLING	CHECKED BY	ZINES	U 4
U 6	UNIT NAME	INPUT-OUTPUT CONTROL UNIT MODEL 3	UNIT NO.	16303125	U 6
U 8	SYSTEM	B5500	PAGE NO.	63-01-52-4	U 8

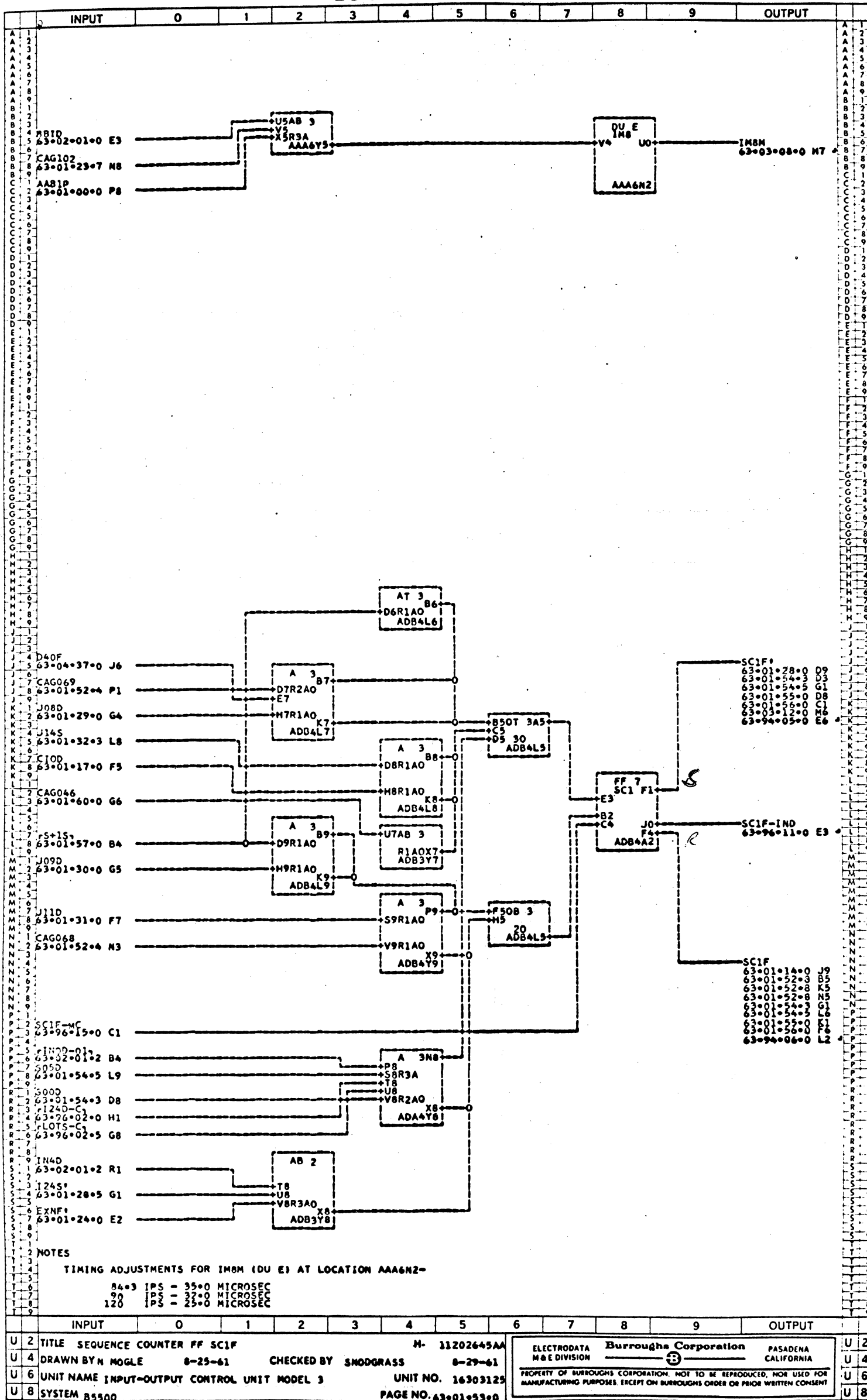
LOGIC SCHEMATIC



U 2	TITLE	SEQUENCE COUNTER FF SC2F AND CAG043 CAG051	M- 11202637AA	ELECTRODATA	PASADENA CALIFORNIA
U 4	DRAWN BY	S SMITH	CHECKED BY	DUDLEY SHEPHERD	
U 6	UNIT NAME	INPUT-OUTPUT CONTROL UNIT MODEL 3	UNIT NO.	16303125	
U 8	SYSTEM	B5500	PAGE NO.	63-01-52-8	

Burroughs Corporation
 ELECTRODATA M & E DIVISION
 PROPERTY OF BURROUGHS CORPORATION NOT TO BE REPRODUCED, NOR USED FOR MANUFACTURING PURPOSES, EXCEPT ON BURROUGHS ORDER OR PRIOR WRITTEN CONSENT

LOGIC SCHEMATIC



NOTES
TIMING ADJUSTMENTS FOR IM8M (DU E) AT LOCATION AAA6N2-

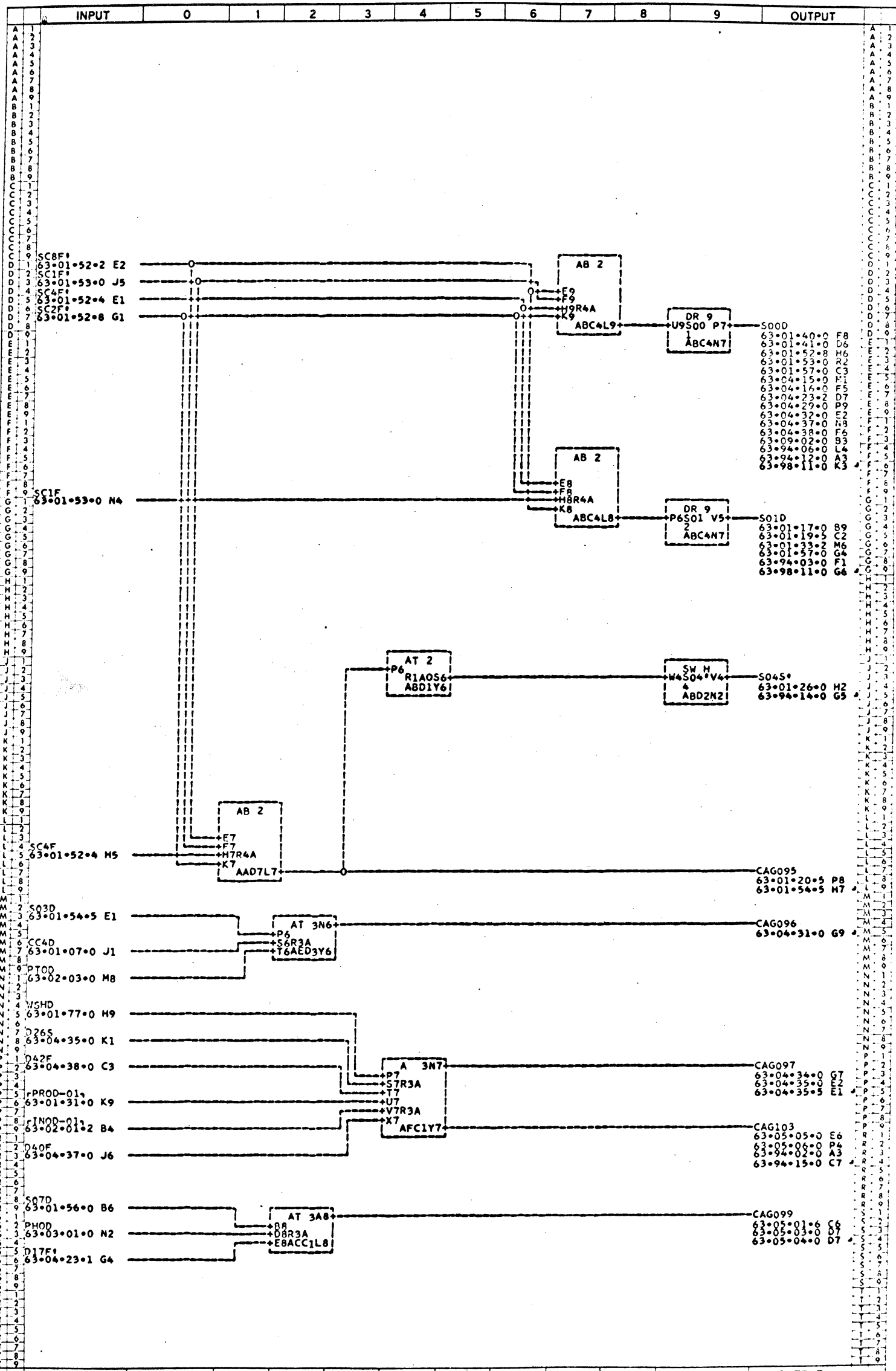
84-3 IPS = 35-0 MICROSEC
 90 IPS = 32-0 MICROSEC
 120 IPS = 25-0 MICROSEC

INPUT	0	1	2	3	4	5	6	7	8	9	OUTPUT
U 2	TITLE SEQUENCE COUNTER FF SC1F										U 2
U 4	DRAWN BYN MOGLE 8-25-61 CHECKED BY SMOODGRASS 8-29-61										U 4
U 6	UNIT NAME INPUT-OUTPUT CONTROL UNIT MODEL 3										U 6
U 8	SYSTEM R5900										U 8

ELECTRODATA **Burroughs Corporation** PASADENA CALIFORNIA
 M&E DIVISION

PROPERTY OF BURROUGHS CORPORATION. NOT TO BE REPRODUCED, NOR USED FOR MANUFACTURING PURPOSES, EXCEPT ON BURROUGHS ORDER OR PRIOR WRITTEN CONSENT

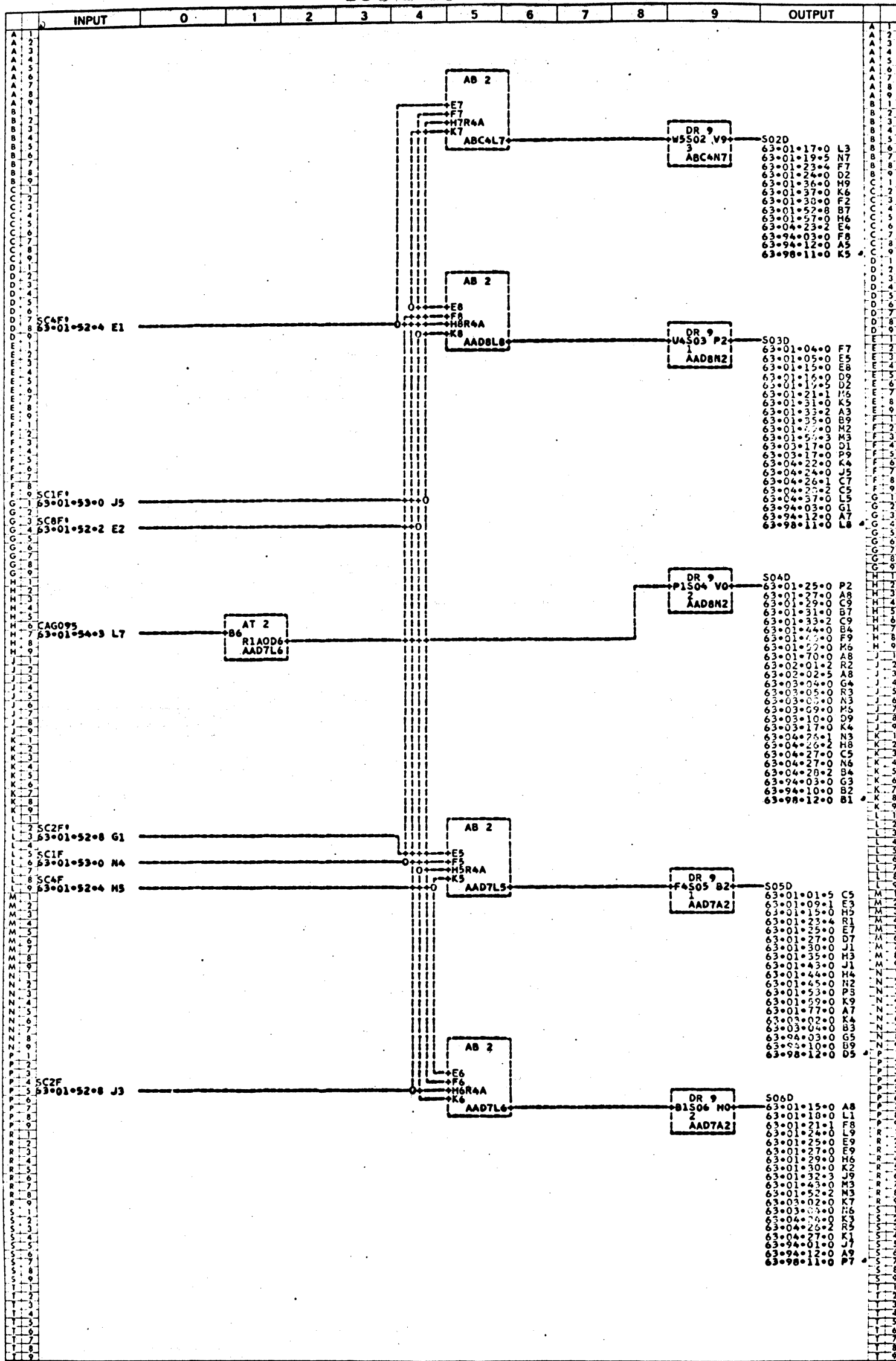
LOGIC SCHEMATIC



INPUT	0	1	2	3	4	5	6	7	8	9	OUTPUT
U 2	TITLE SEQUENCE COUNTER EQUAL ZERO AND ONE										U 2
U 4	DRAWN BY S SMITH										U 4
U 6	UNIT NAME INPUT-OUTPUT CONTROL UNIT MODEL 3										U 6
U 8	SYSTEM 85500										U 8

ELECTRODATA **Burroughs Corporation** PASADENA CALIFORNIA
 M & E DIVISION
 PROPERTY OF BURROUGHS CORPORATION NOT TO BE REPRODUCED, NOR USED FOR MANUFACTURING PURPOSES, EXCEPT ON BURROUGHS ORDER OR PRIOR WRITTEN CONSENT

LOGIC SCHEMATIC

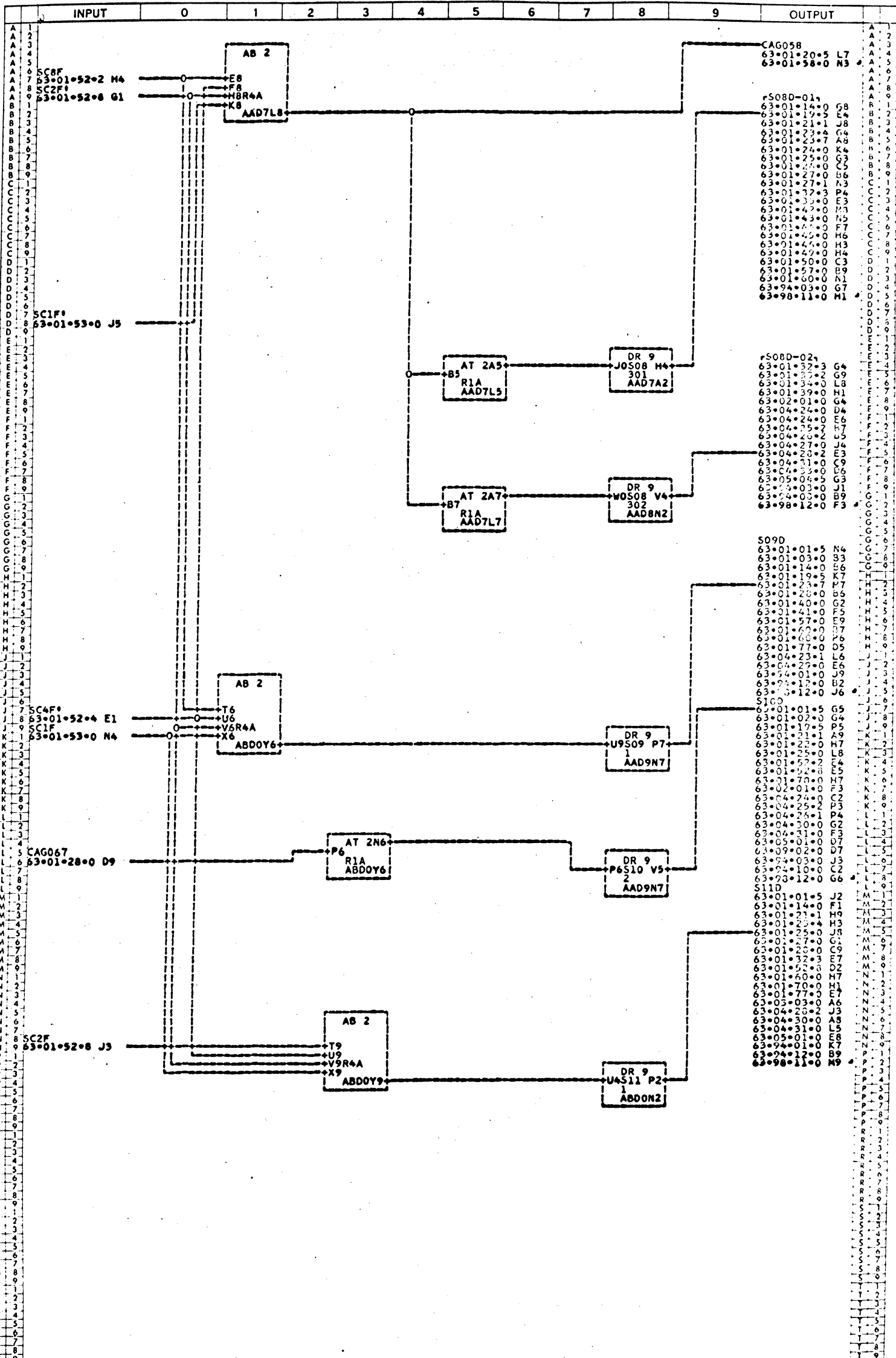


INPUT	0	1	2	3	4	5	6	7	8	9	OUTPUT
U 2	TITLE SEQUENCE COUNTER EQUAL TO 2-3-4-5-6										U 2
U 4	DRAWN BY S SMITH CHECKED BY DUDLEY SHEPHERD										U 4
U 6	UNIT NAME INPUT-OUTPUT CONTROL UNIT MODEL 3										U 6
U 8	SYSTEM B5500										U 8

ELECTRODATA **Burroughs Corporation** PASADENA CALIFORNIA
M&E DIVISION

PROPERTY OF BURROUGHS CORPORATION NOT TO BE REPRODUCED, NOR USED FOR MANUFACTURING PURPOSES, EXCEPT ON BURROUGHS ORDER OR PRIOR WRITTEN CONSENT.

LOGIC SCHEMATIC



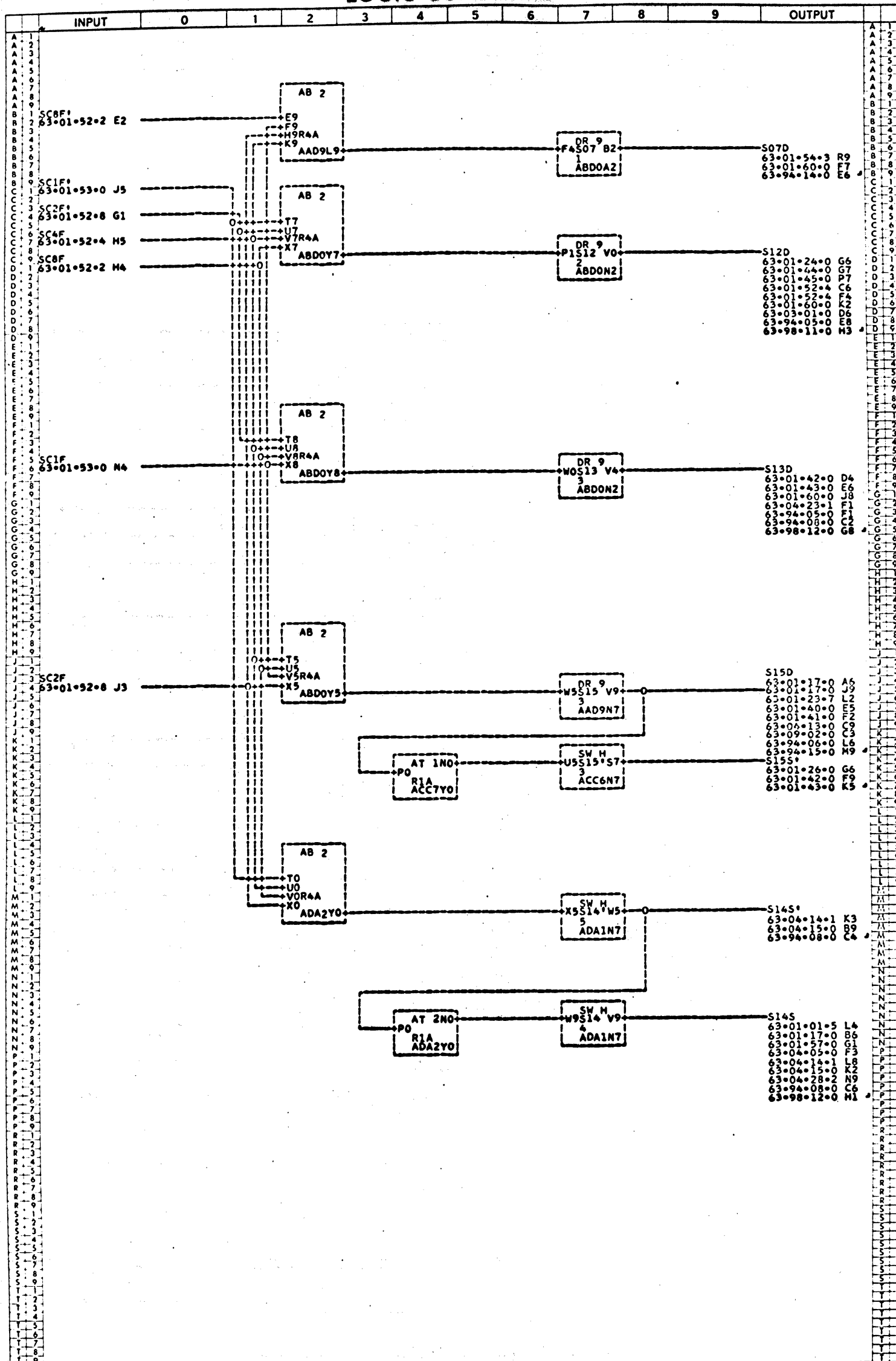
INPUT	0	1	2	3	4	5	6	7	8	9	OUTPUT
U 2	TITLE SEQUENCE CTR-EQ-8-9-10-11 DRIVERS										U 2
U 4	DRAWN BY ZINES 8-25-61 CHECKED BY SMOGRASS 8-26-61										U 4
U 6	UNIT NAME INPUT-OUTPUT CONTROL UNIT MODEL 3										U 6
U 8	SYSTEM B5500										U 8

ELECTRODATA **Burroughs Corporation** PASADENA CALIFORNIA

M & E DIVISION 3

PROPERTY OF BURROUGHS CORPORATION. NOT TO BE REPRODUCED, NOR USED FOR MANUFACTURING PURPOSES, EXCEPT ON BURROUGHS ORDER OR PRIOR WRITTEN CONSENT

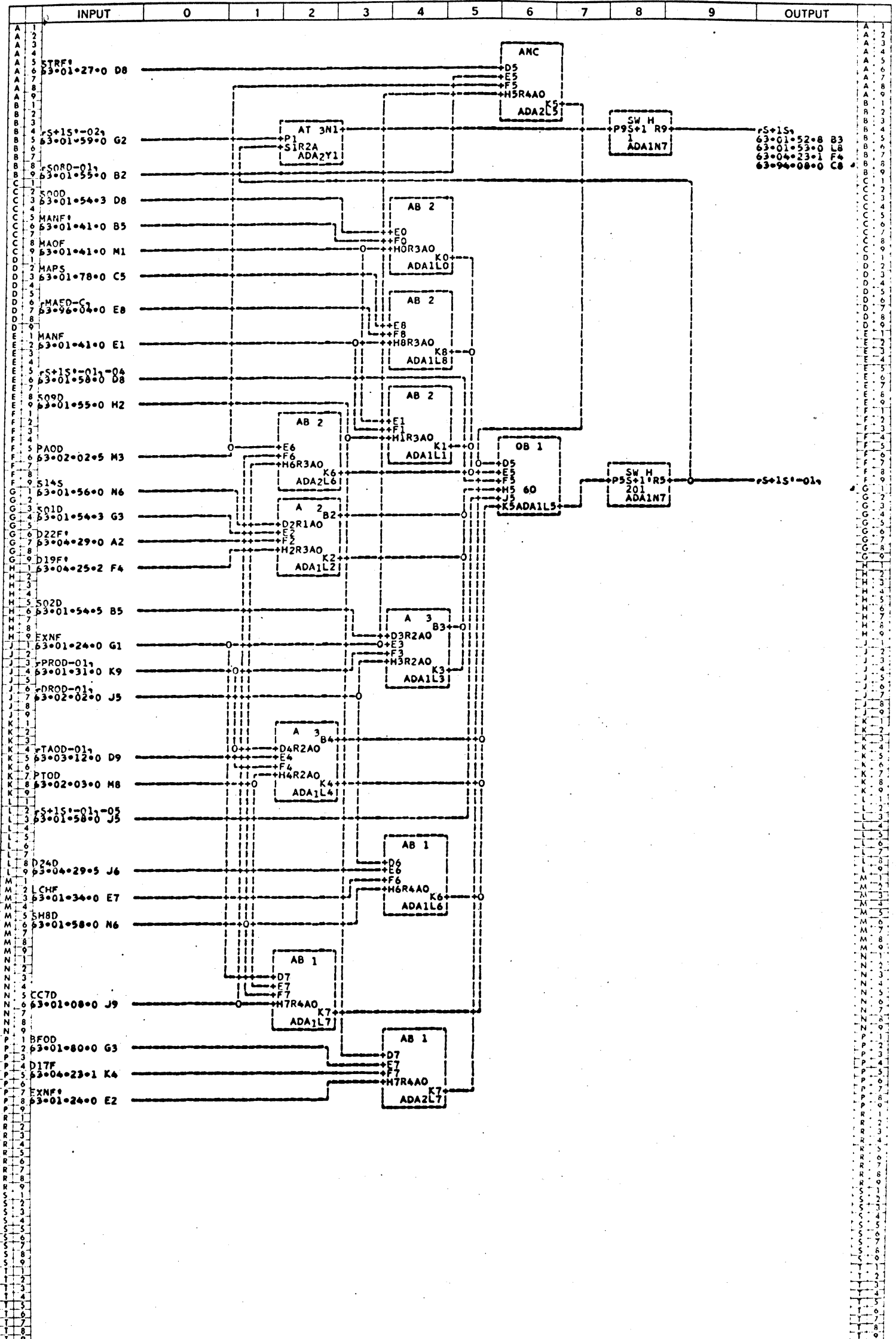
LOGIC SCHEMATIC



INPUT	0	1	2	3	4	5	6	7	8	9	OUTPUT
U 2	TITLE SEQUENCE CTR-EQ-12-13-14-15 OUTPUTS										U 2
U 4	DRAWN BY C A VIETOR 8-25-61 CHECKED BY SNOODGRASS 8-26-61										U 4
U 6	UNIT NAME INPUT-OUTPUT CONTROL UNIT MODEL 3 UNIT NO. 16303129										U 6
U 8	SYSTEM B5500 PAGE NO. 63-01-54-0										U 8

Burroughs Corporation
 ELECTRODATA M&E DIVISION PASADENA CALIFORNIA
PROPERTY OF BURROUGHS CORPORATION. NOT TO BE REPRODUCED, NOR USED FOR MANUFACTURING PURPOSES, EXCEPT ON BURROUGHS ORDER OR PRIOR WRITTEN CONSENT.

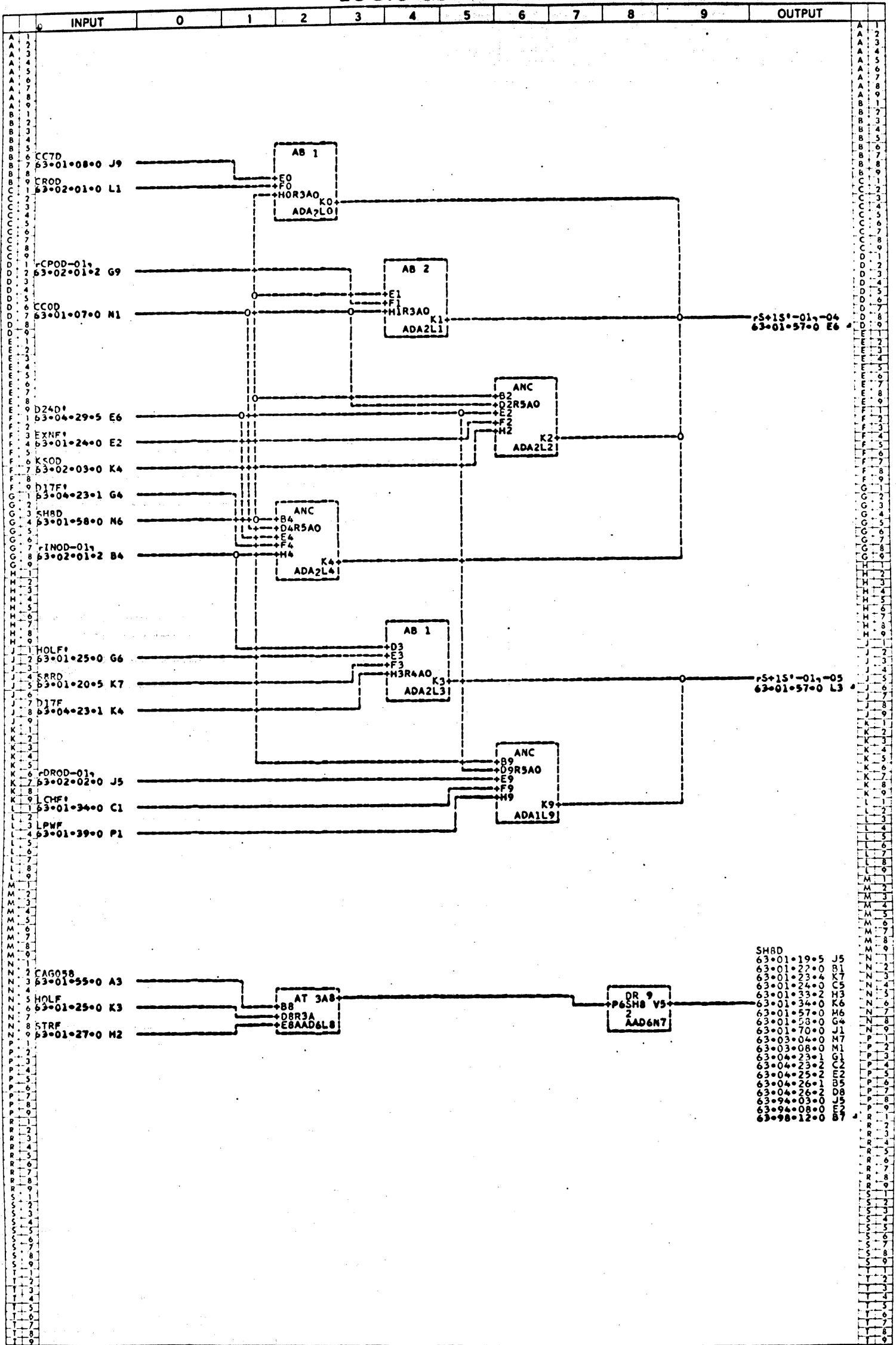
LOGIC SCHEMATIC



	INPUT	0	1	2	3	4	5	6	7	8	9	OUTPUT
U 2	TITLE SEQUENCE COUNTER +1 (-01) M- 11202694AA											
U 4	DRAWN BYC A VIETOR 8-25-61 CHECKED BY SMOGRASS											
U 6	UNIT NAME INPUT-OUTPUT CONTROL UNIT MODEL 3 UNIT NO. 16303125											
U 8	SYSTEM 85500 PAGE NO. 43-01-57-0											

Burroughs Corporation
 ELECTRODATA M&E DIVISION PASADENA CALIFORNIA
 PROPERTY OF BURROUGHS CORPORATION NOT TO BE REPRODUCED, NOR USED FOR MANUFACTURING PURPOSES, EXCEPT ON BURROUGHS ORDER OR PRIOR WRITTEN CONSENT

LOGIC SCHEMATIC

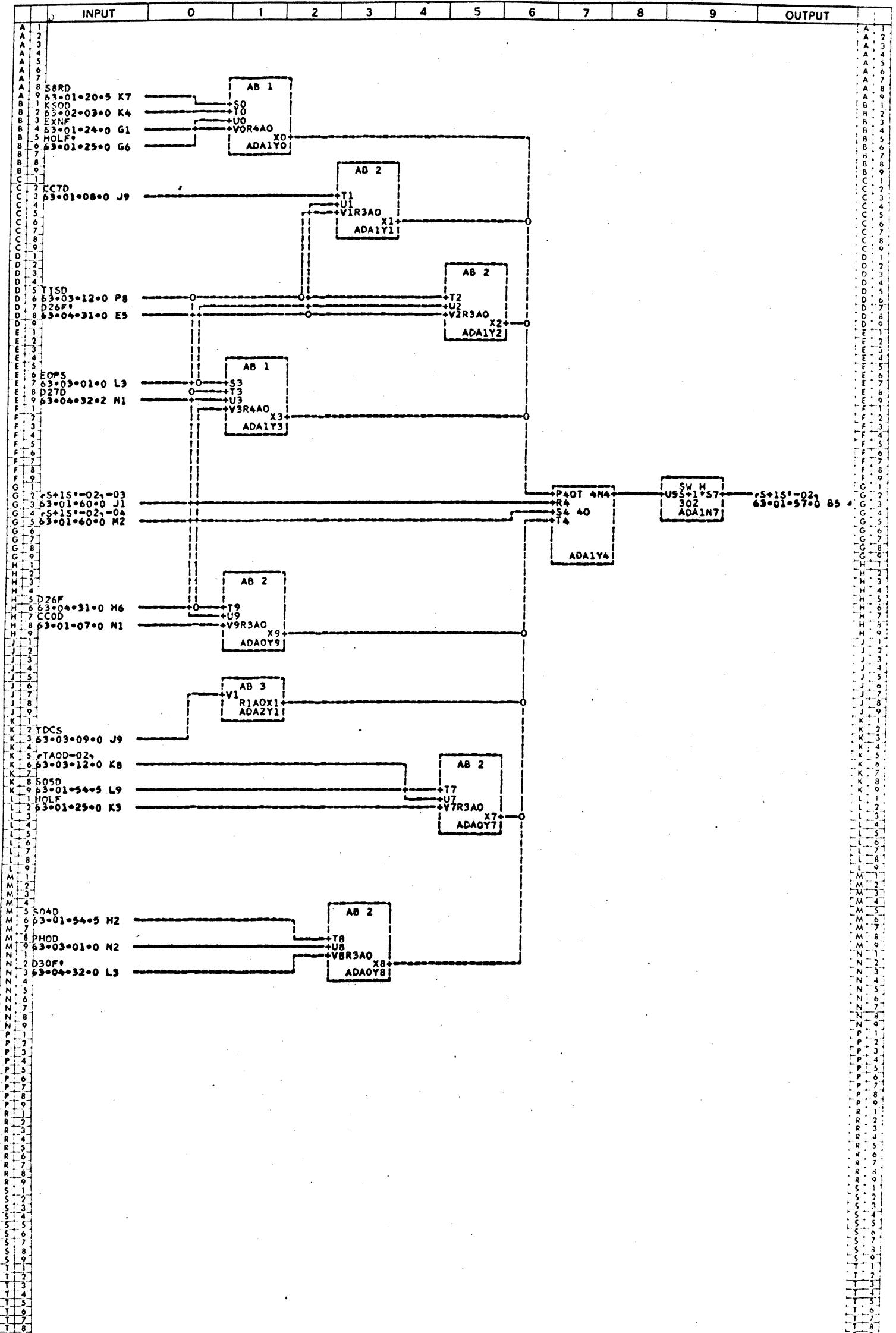


	INPUT	0	1	2	3	4	5	6	7	8	9	OUTPUT	
U 2	TITLE SEQUENCE COUNTER +1 INPUTS AND SH8D DRIVER M- 11202702AA												U 2
U 4	DRAWN BYC A VIETOR 8-25-61 CHECKED BY SNOGRASS												U 4
U 6	UNIT NAME INPUT-OUTPUT CONTROL UNIT MODEL 3 UNIT NO. 16303125												U 6
U 8	SYSTEM 85500 PAGE NO. 63-01-38-0												U 8

ELECTRODATA **Burroughs Corporation** PASADENA CALIFORNIA
M&E DIVISION

PROPERTY OF BURROUGHS CORPORATION NOT TO BE REPRODUCED, NOR USED FOR MANUFACTURING PURPOSES EXCEPT ON BURROUGHS ORDER OR PRIOR WRITTEN CONSENT

LOGIC SCHEMATIC



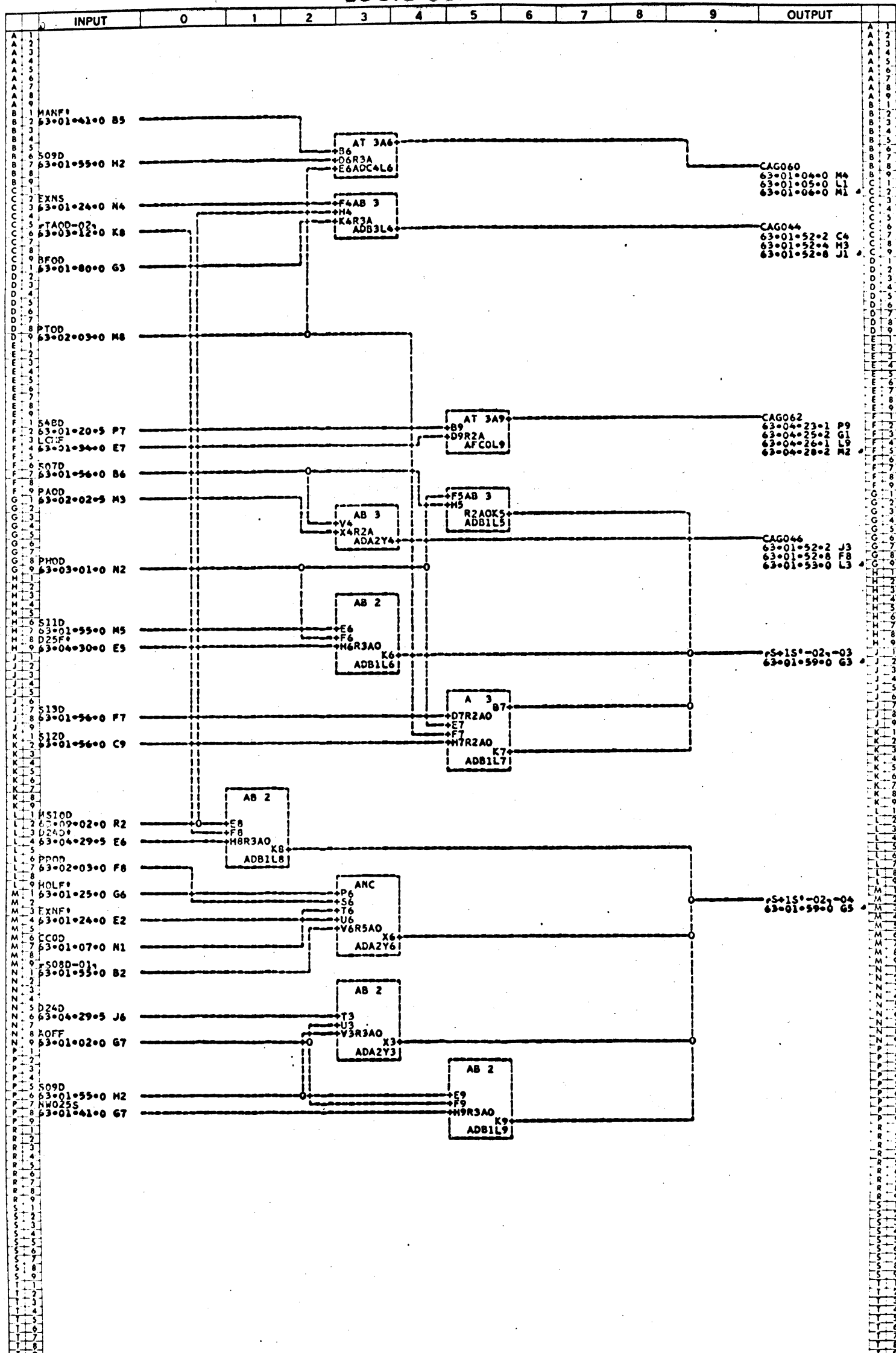
U	INPUT	0	1	2	3	4	5	6	7	8	9	OUTPUT	U
2	TITLE SEQUENCE COUNTER +1 (02) SWITCH												12
4	DRAWN BY ZINES												4
6	UNIT NAME INPUT-OUTPUT CONTROL UNIT MODEL 3												6
8	SYSTEM 85500												8

H- 11202710AA
 8-25-61 CHECKED BY SNODGRASS 8-29-61
 UNIT NO. 16303125
 PAGE NO. 63-01-59-0

ELECTRODATA **Burroughs Corporation** PASADENA CALIFORNIA
 M&E DIVISION

PROPERTY OF BURROUGHS CORPORATION NOT TO BE REPRODUCED, NOR USED FOR MANUFACTURING PURPOSES, EXCEPT ON BURROUGHS ORDER OR PRIOR WRITTEN CONSENT

LOGIC SCHEMATIC

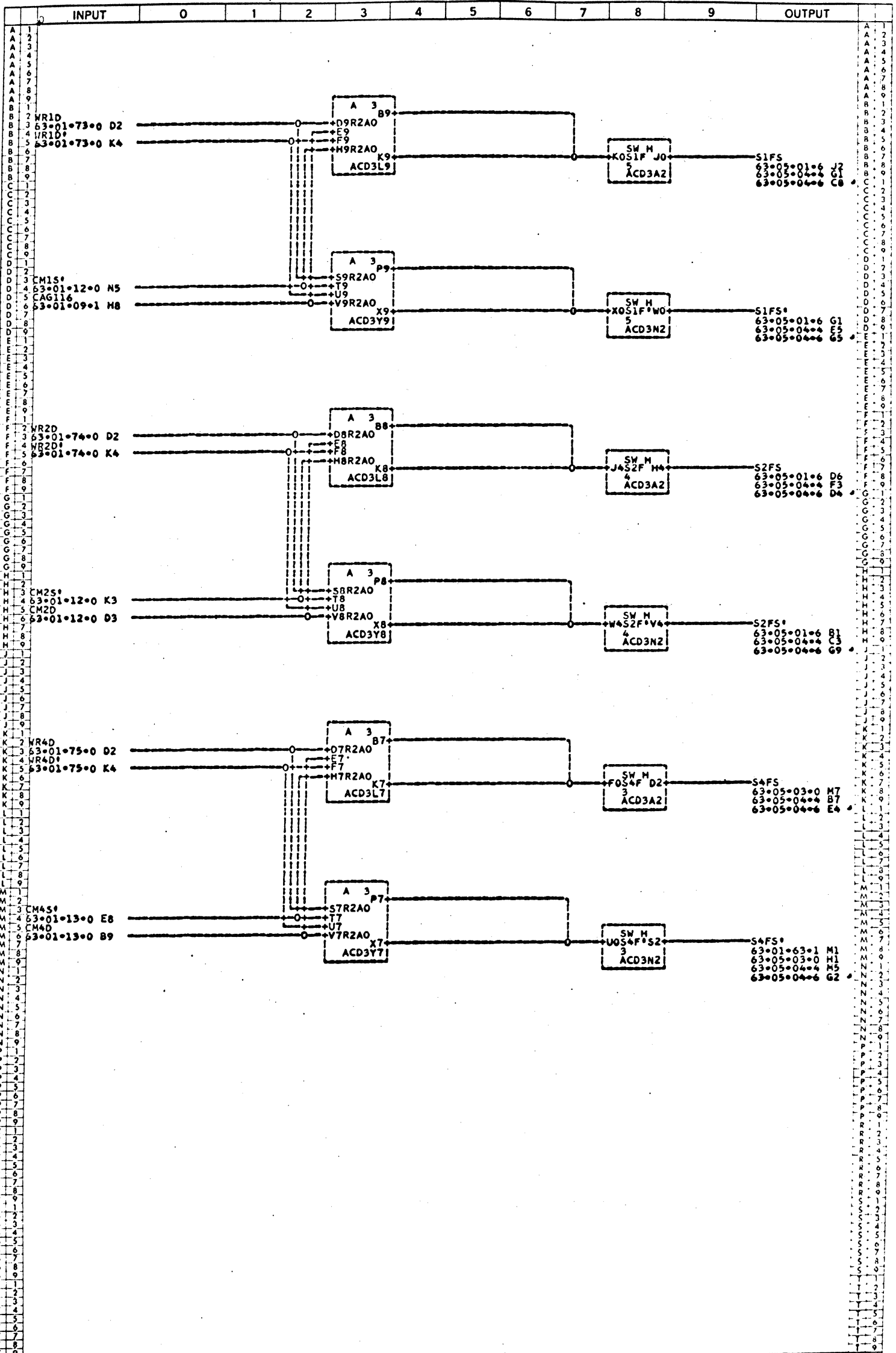


INPUT	0	1	2	3	4	5	6	7	8	9	OUTPUT
U 2	TITLE SEQUENCE COUNTER +1° (02) INPUTS CAG 060-061-062 M- 11202728AA										U 2
U 4	DRAWN BY ZINES 8-25-61 CHECKED BY SMOGRASS 8-29-61										U 4
U 6	UNIT NAME INPUT-OUTPUT CONTROL UNIT MODEL 3 UNIT NO. 16303125										U 6
U 8	SYSTEM B5200 PAGE NO. 63-01-40-0										U 8

ELECTRODATA **Burroughs Corporation** PASADENA CALIFORNIA
 M & E DIVISION

PROPERTY OF BURROUGHS CORPORATION NOT TO BE REPRODUCED, NOR USED FOR MANUFACTURING PURPOSES, EXCEPT ON BURROUGHS ORDER OR PRIOR WRITTEN CONSENT.

LOGIC SCHEMATIC

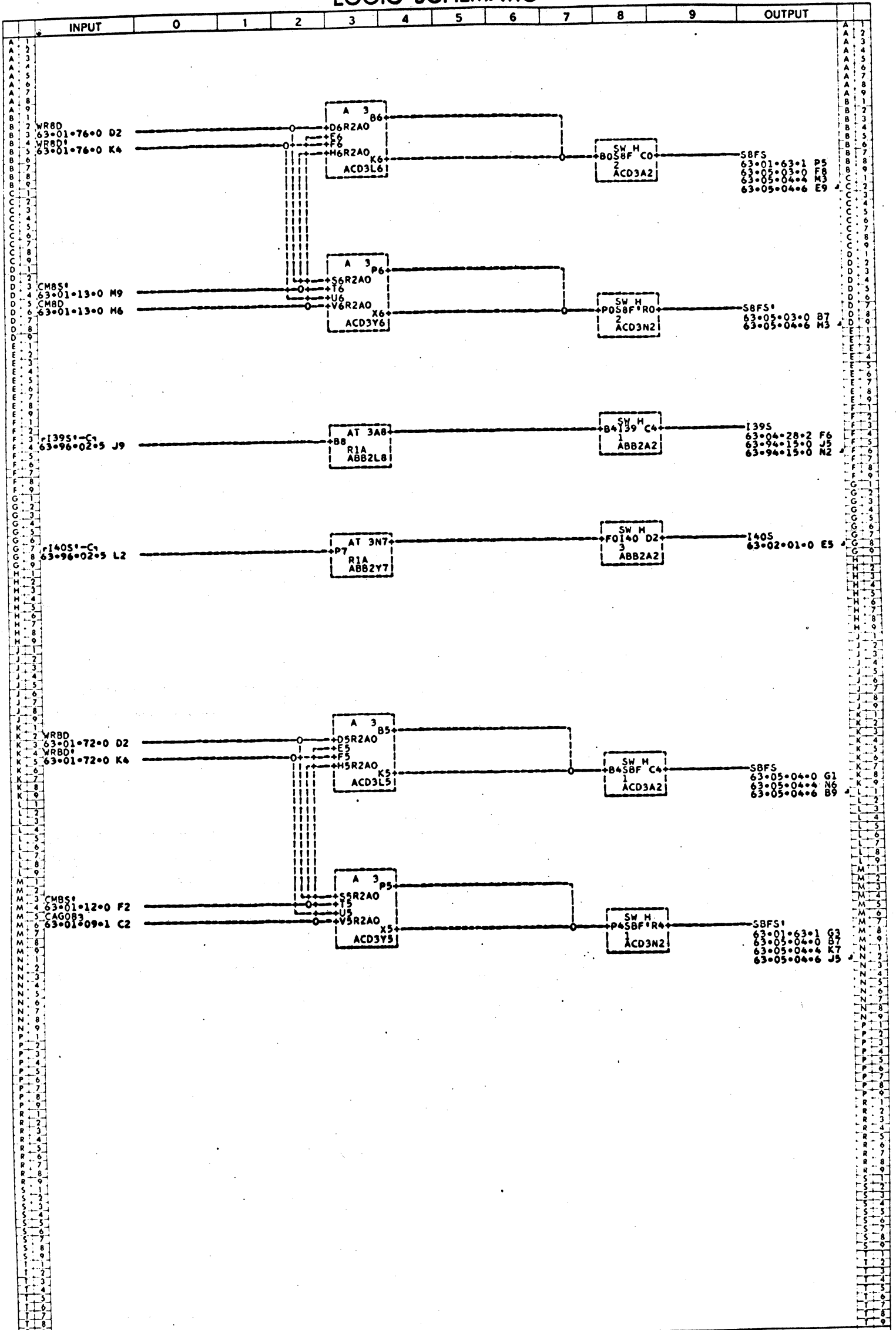


INPUT	0	1	2	3	4	5	6	7	8	9	OUTPUT
U 2	TITLE SET 1'S-2'S-4'S SWITCHES										U 2
U 4	DRAWN BYR WILLIAMS 24 AUG 61 CHECKED BY SMOGRASS 8-26-61										U 4
U 6	UNIT NAME INPUT-OUTPUT CONTROL UNIT MODEL 3										U 6
U 8	SYSTEM B5500										U 8

Burroughs Corporation
 ELECTRODATA M & E DIVISION PASADENA CALIFORNIA
 PROPERTY OF BURROUGHS CORPORATION NOT TO BE REPRODUCED, NOR USED FOR MANUFACTURING PURPOSES, EXCEPT ON BURROUGHS ORDER OR PRIOR WRITTEN CONSENT

APR 22 1965

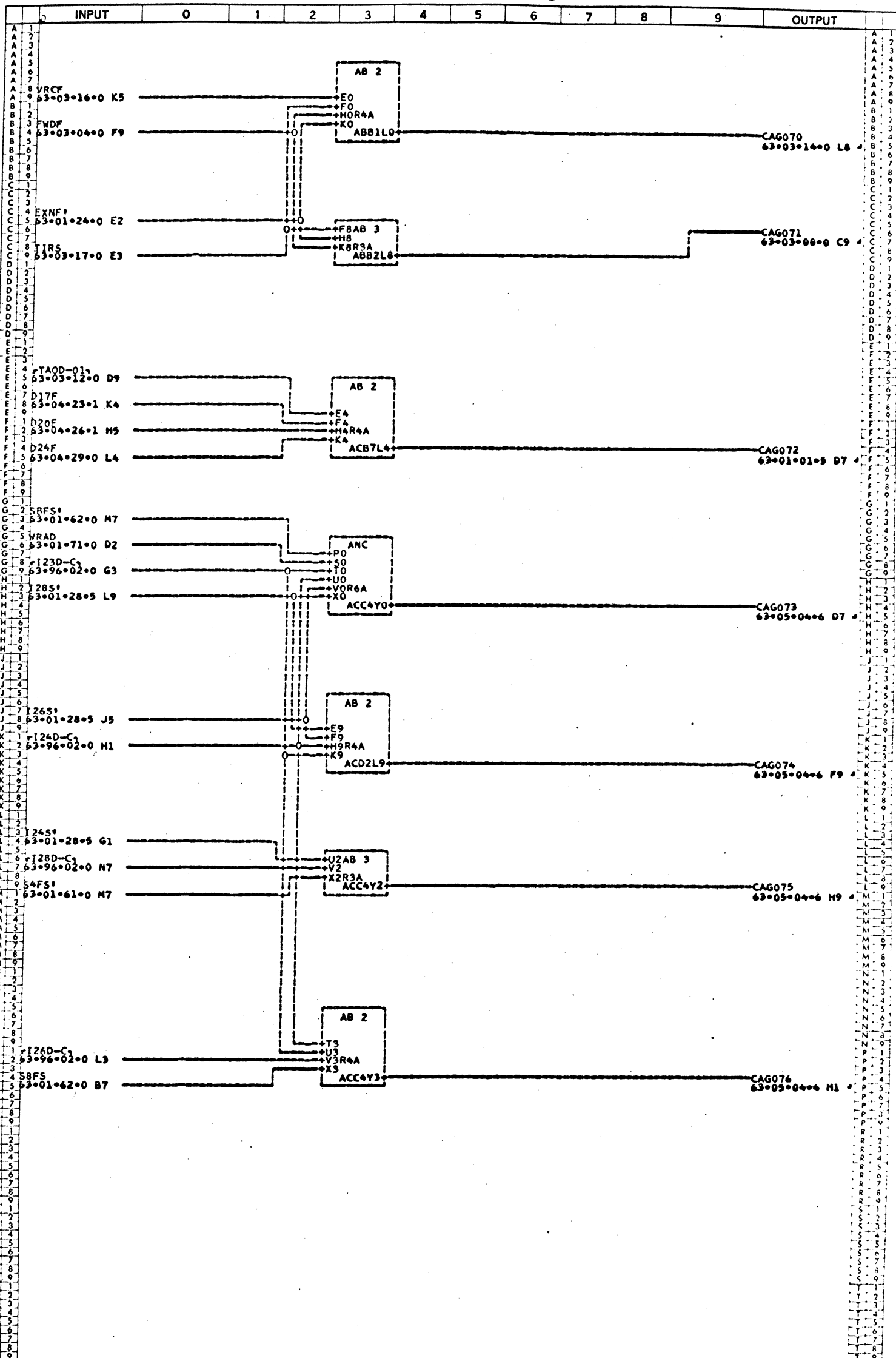
LOGIC SCHEMATIC



INPUT	0	1	2	3	4	5	6	7	8	9	OUTPUT
U 2	TITLE SET B'S-A'S-B'S SWITCHES										U 2
U 4	DRAWN BY R WILLIAMS 24 AUG 61 CHECKED BY SNODGRASS 8-26-61										U 4
U 6	UNIT NAME INPUT-OUTPUT CONTROL UNIT MODEL 3										U 6
U 8	SYSTEM B5500										U 8

Burroughs Corporation
 ELECTRODATA M & E DIVISION PASADENA CALIFORNIA
PROPERTY OF BURROUGHS CORPORATION. NOT TO BE REPRODUCED, NOR USED FOR MANUFACTURING PURPOSES, EXCEPT ON BURROUGHS ORDER OR PRIOR WRITTEN CONSENT

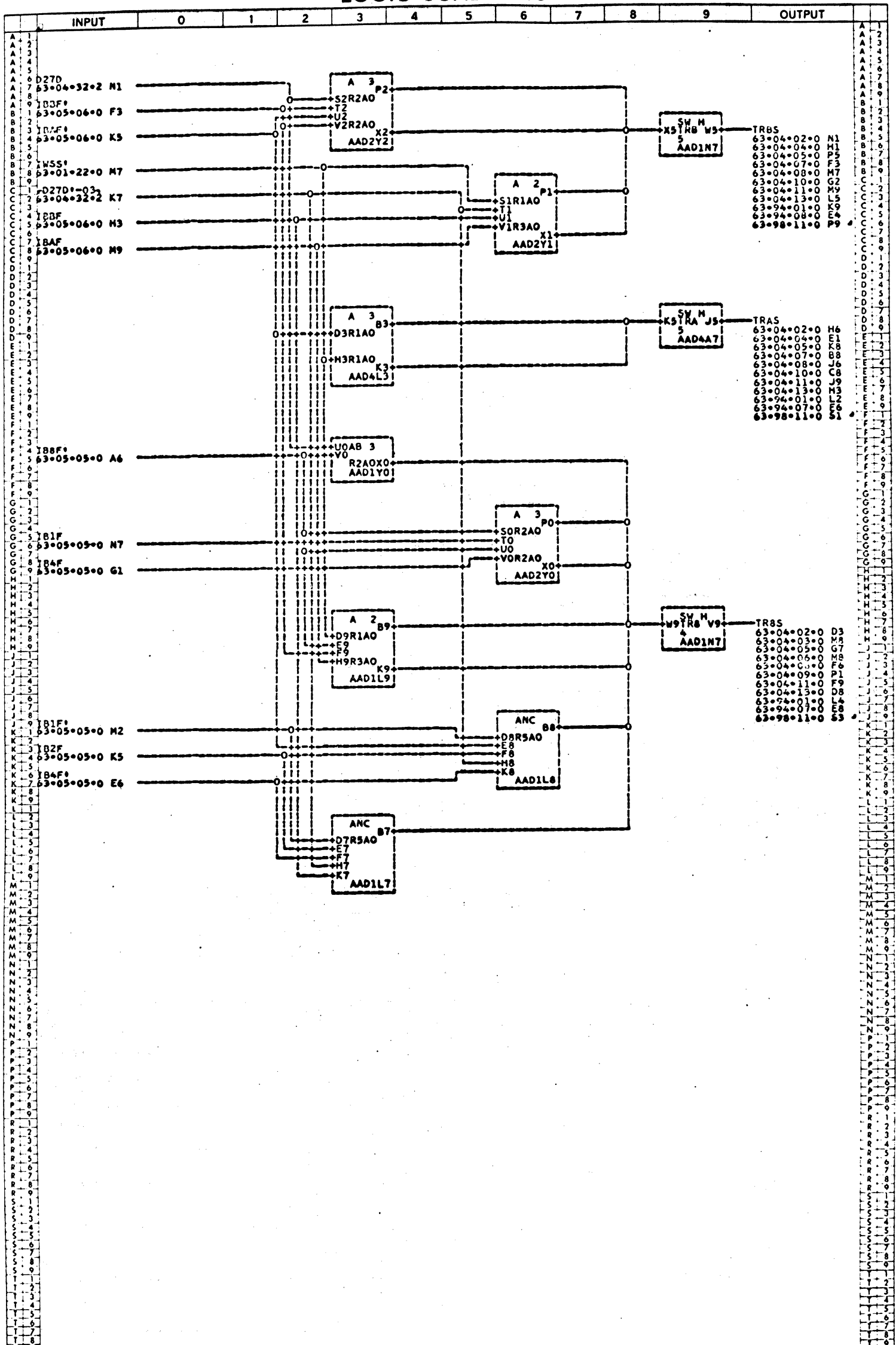
LOGIC SCHEMATIC



U	2	TITLE	0	1	2	3	4	5	6	7	8	9	OUTPUT
U 2	2	CAGS 070-071-072-073-074-075-076											
U 4	4	DRAWN BY ZINES											
U 6	6	UNIT NAME INPUT-OUTPUT CONTROL UNIT MODEL 3											
U 8	8	SYSTEM B2200											

Burroughs Corporation
 ELECTRODATA M&E DIVISION PASADENA CALIFORNIA
 H- 11202751AA
 CHECKED BY SNODGRASS
 UNIT NO. 16303125
 PAGE NO. 63-01-63-1
 PROPERTY OF BURROUGHS CORPORATION NOT TO BE REPRODUCED, NOR USED FOR MANUFACTURING PURPOSES, EXCEPT ON BURROUGHS ORDER OR PRIOR WRITTEN CONSENT

LOGIC SCHEMATIC



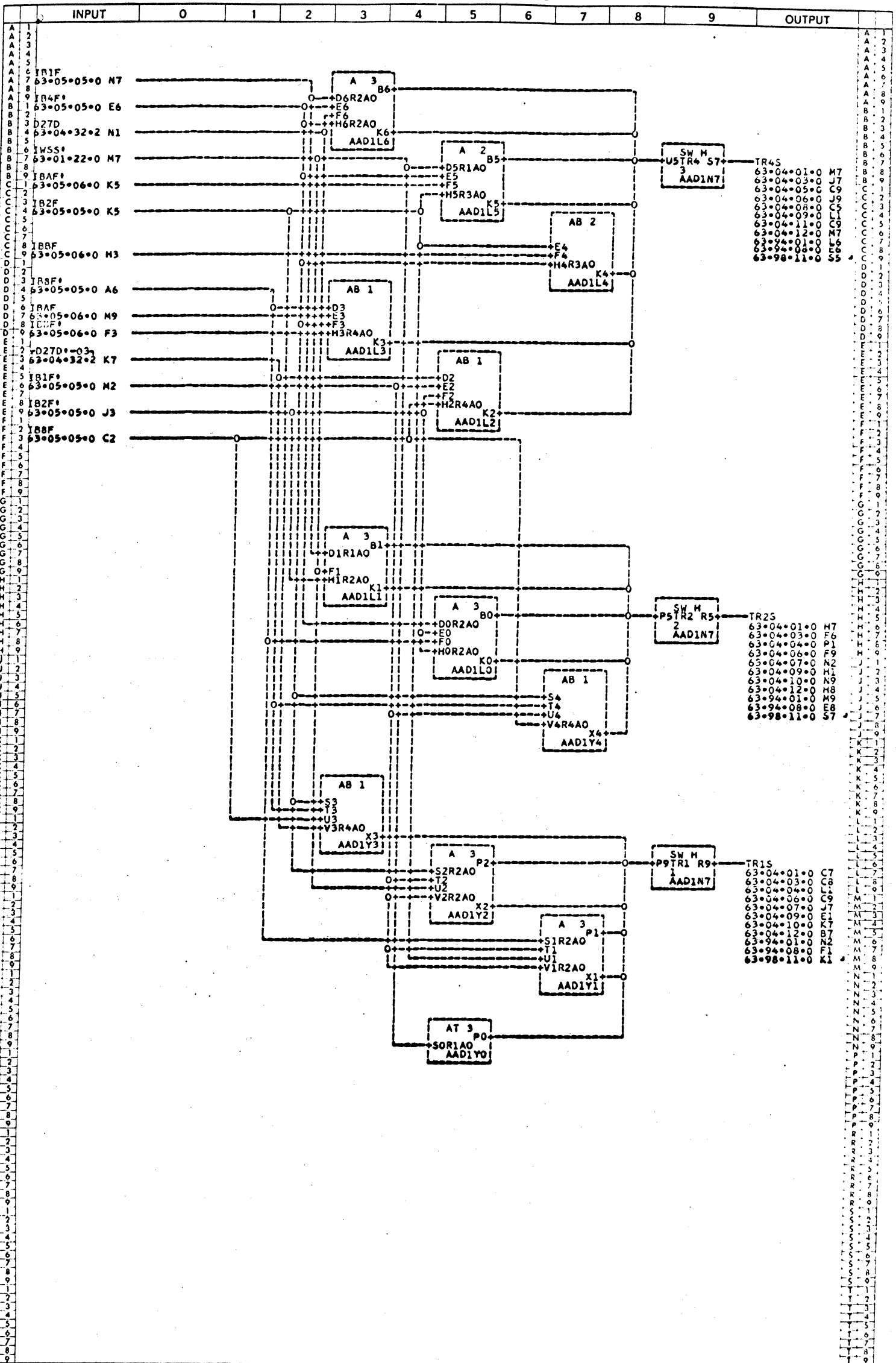
U 2	TITLE TRANSFER SWITCHES - TR8S TRAS TR8S	M- 11202769AA	
U 4	DRAWN BYC DOOLING	CHECKED BY SHODGRASS	
U 6	UNIT NAME INPUT-OUTPUT CONTROL UNIT MODEL 3	UNIT NO. 16303125	
U 8	SYSTEM B5500	PAGE NO. A302106601	

Burroughs Corporation

ELECTRODATA M & E DIVISION PASADENA CALIFORNIA

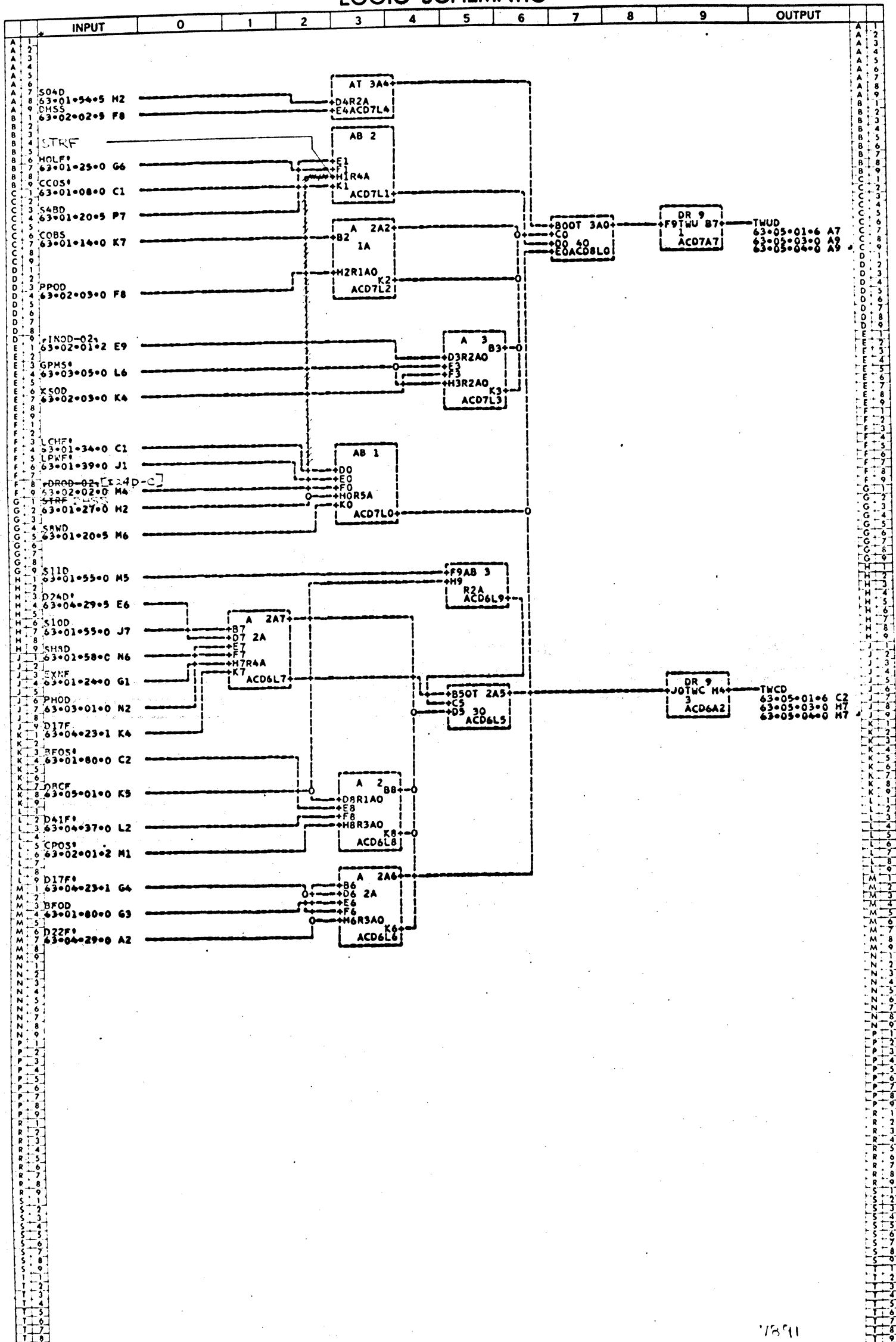
PROPERTY OF BURROUGHS CORPORATION. NOT TO BE REPRODUCED, NOR USED FOR MANUFACTURING PURPOSES, EXCEPT ON BURROUGHS ORDER OR PRIOR WRITTEN CONSENT.

LOGIC SCHEMATIC



U 2	TITLE	TRANSFER SWITCHES - TR4S TR2S TR1S	M- 11202777AA	ELECTRODATA	Burroughs Corporation	PASADENA	U 2
U 4	DRAWN BY	C DOOLING	CHECKED BY	SNODGRASS		CALIFORNIA	U 4
U 6	UNIT NAME	INPUT-OUTPUT CONTROL UNIT MODEL 3	UNIT NO.	16303125	PROPERTY OF BURROUGHS CORPORATION NOT TO BE REPRODUCED, NOR USED FOR MANUFACTURING PURPOSES, EXCEPT ON BURROUGHS ORDER OR PRIOR WRITTEN CONSENT		U 6
U 8	SYSTEM	B5500	PAGE NO.	63-01-65-1			U 8

LOGIC SCHEMATIC

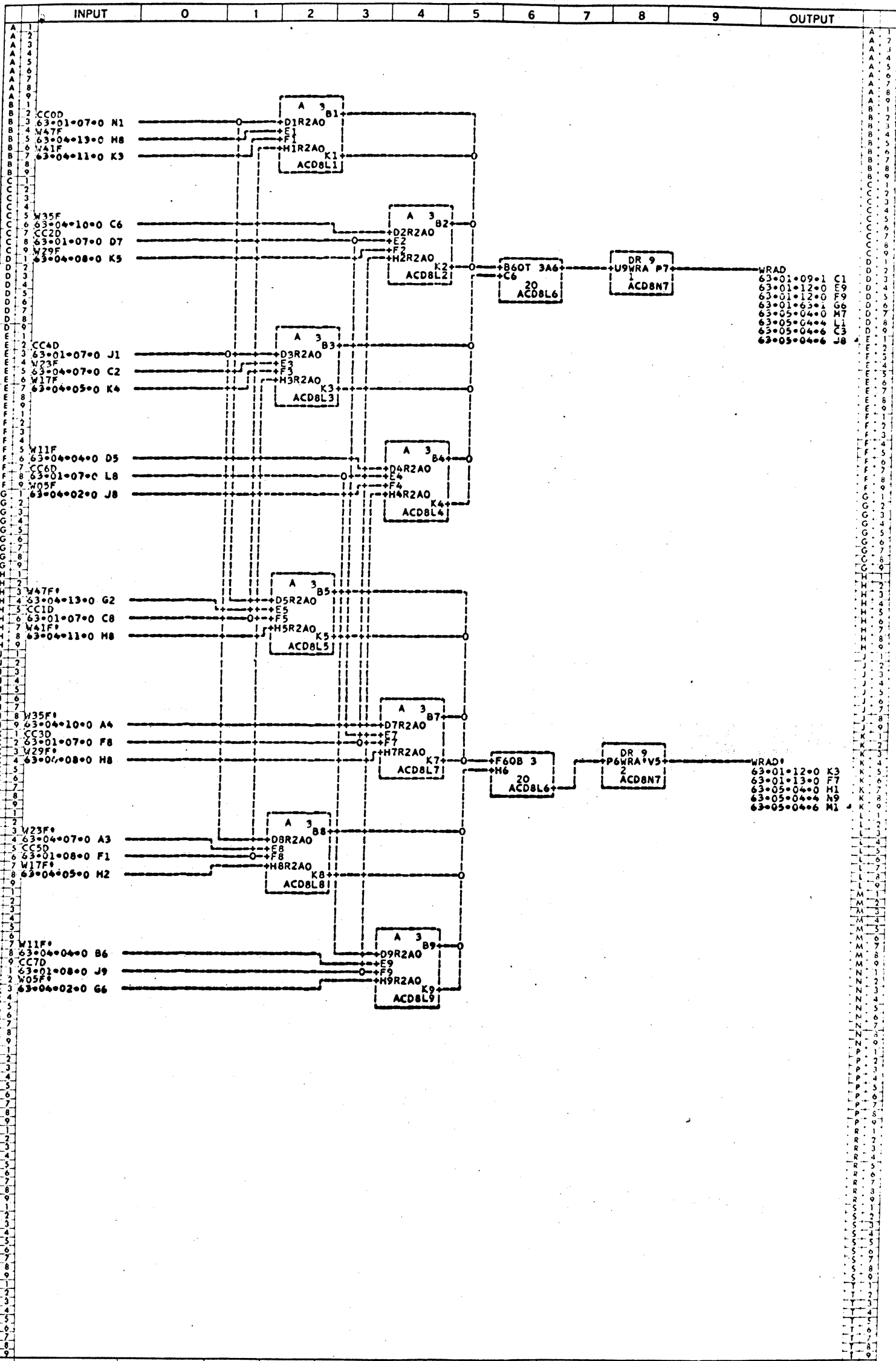


7891

INPUT	0	1	2	3	4	5	6	7	8	9	OUTPUT
U 2	TITLE TRANSFER W-CLOCKED-UNCLOCKED DRIVERS TWUD-TWCD M- 11202785AA										U 2
U 4	DRAWN BY R J MILLER 8-25-61 CHECKED BY SNOGRASS 8-28-61										U 4
U 6	UNIT NAME INPUT-OUTPUT CONTROL UNIT MODEL 3 UNIT NO. 16303125										U 6
U 8	SYSTEM 85500 PAGE NO. 63-01-70-0										U 8

ELECTRODATA **Burroughs Corporation** PASADENA CALIFORNIA
 M & E DIVISION
PROPERTY OF BURROUGHS CORPORATION NOT TO BE REPRODUCED, NOR USED FOR MANUFACTURING PURPOSES, EXCEPT ON BURROUGHS ORDER OR PRIOR WRITTEN CONSENT

LOGIC SCHEMATIC

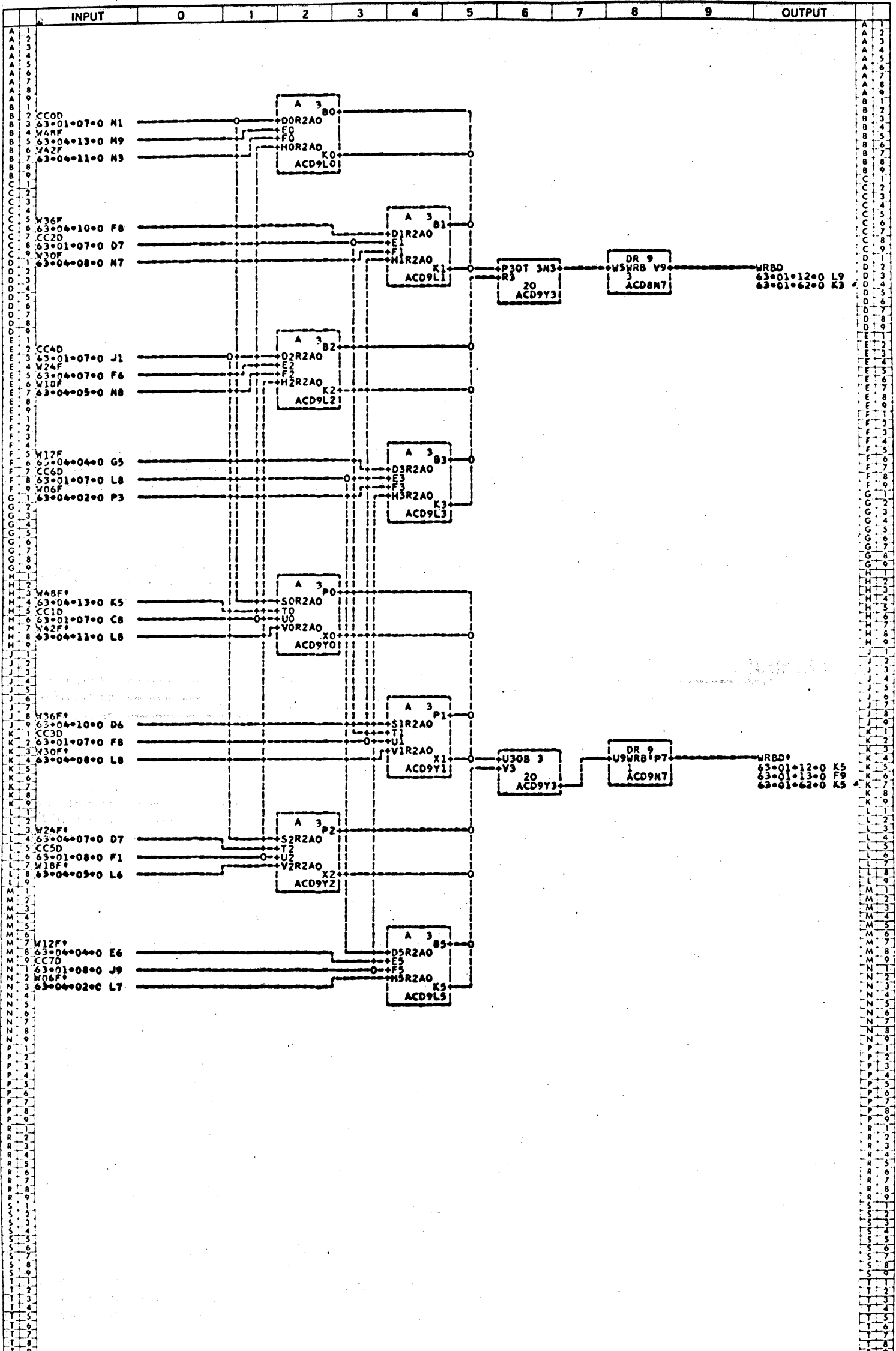


INPUT	0	1	2	3	4	5	6	7	8	9	OUTPUT
U 2	TITLE W REGISTER A DRIVERS WRAD-WRAD ^o H- 11202793AA										U 2
U 4	DRAWN BY R WILLIAMS 28 AUG 61 CHECKED BY SNODGRASS 8-28-61										U 4
U 6	UNIT NAME INPUT-OUTPUT CONTROL UNIT MODEL 3 UNIT NO. 16303125										U 6
U 8	SYSTEM B5500 PAGE NO. 63-01-71-0										U 8

ELECTRODATA **Burroughs Corporation** PASADENA CALIFORNIA
 M & E DIVISION

PROPERTY OF BURROUGHS CORPORATION NOT TO BE REPRODUCED, NOR USED FOR MANUFACTURING PURPOSES EXCEPT ON BURROUGHS ORDER OR PRIOR WRITTEN CONSENT

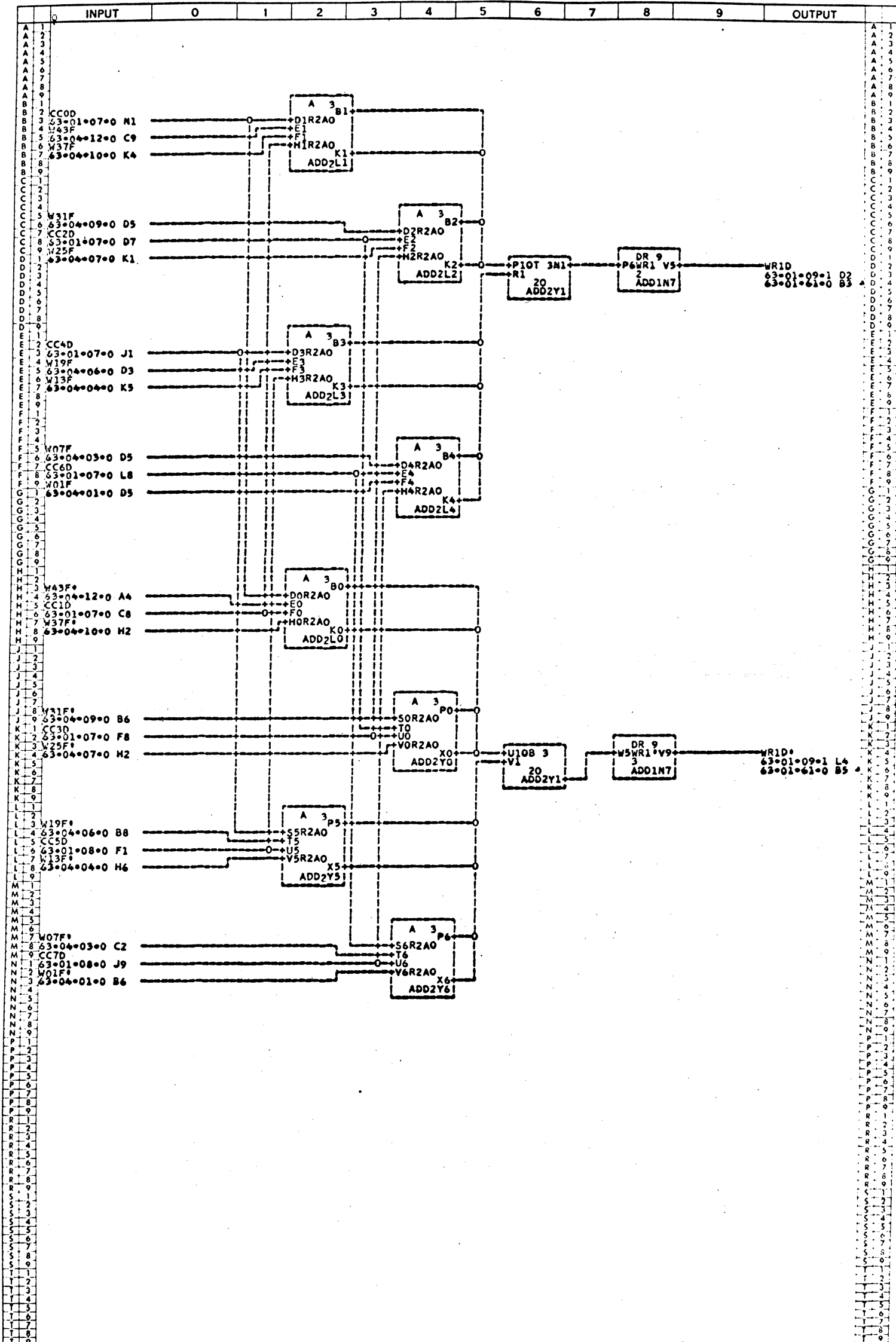
LOGIC SCHEMATIC



INPUT	0	1	2	3	4	5	6	7	8	9	OUTPUT	
U 2	TITLE W REGISTER B DRIVERS WRBD-WRBD										M- 11202801AA	U 2
U 4	DRAWN BY R WILLIAMS 28 AUG 61 CHECKED BY SNOGRASS										8-28-61	U 4
U 6	UNIT NAME INPUT-OUTPUT CONTROL UNIT MODEL 3										UNIT NO. 16303125	U 6
U 8	SYSTEM B2500										PAGE NO. 63-01-72-00	U 8

ELECTRODATA **Burroughs Corporation** PASADENA CALIFORNIA
 M & E DIVISION 3
PROPERTY OF BURROUGHS CORPORATION. NOT TO BE REPRODUCED, NOR USED FOR MANUFACTURING PURPOSES, EXCEPT ON BURROUGHS ORDER OR PRIOR WRITTEN CONSENT

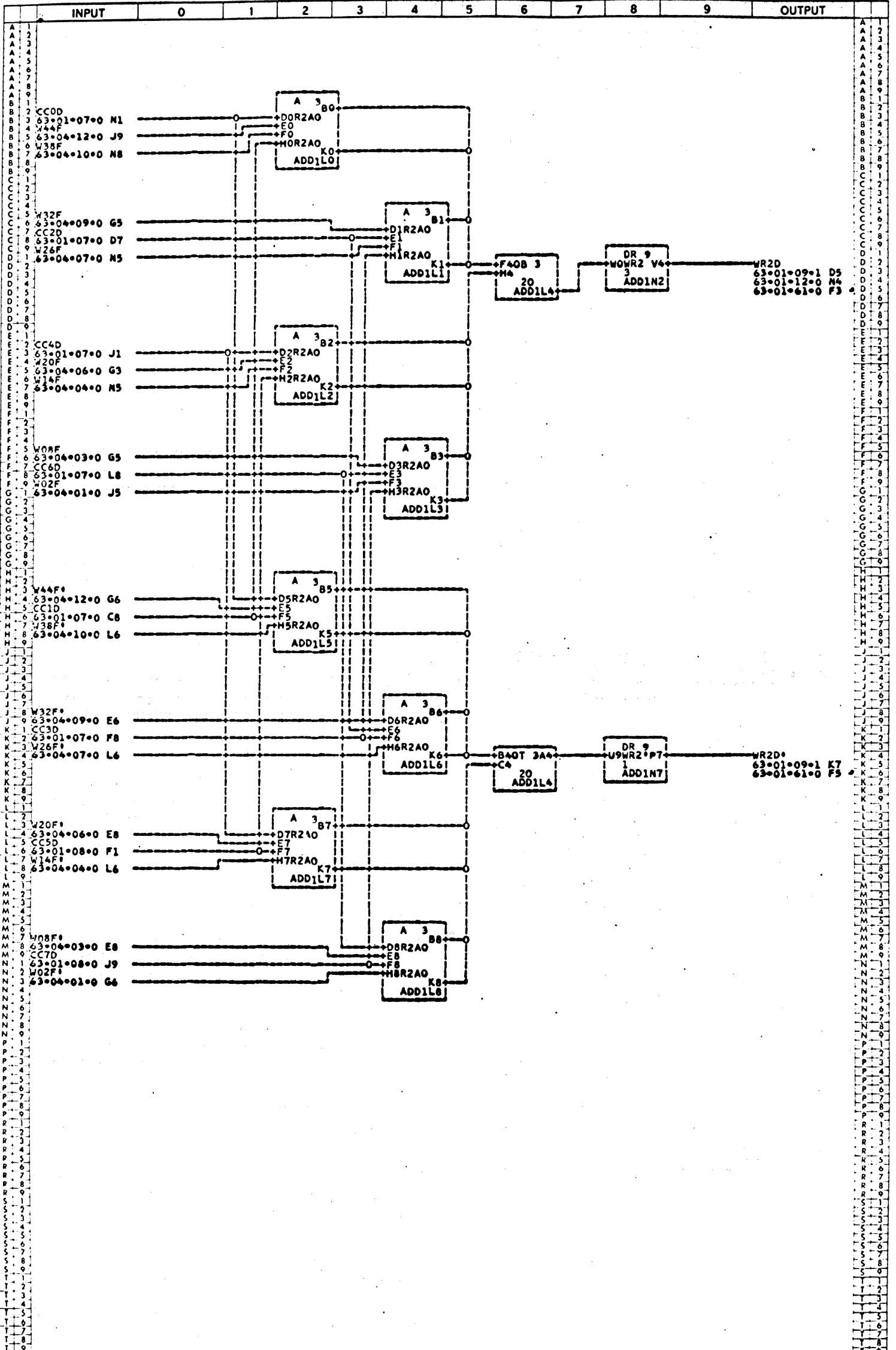
LOGIC SCHEMATIC



	INPUT	0	1	2	3	4	5	6	7	8	9	OUTPUT
U 2	TITLE W REGISTER 1 DRIVERS WR1D-WR1D*											
U 4	DRAWN BYR WILLIAMS 28 AUG 61 CHECKED BY SNODGRASS 8-28-61											
U 6	UNIT NAME INPUT-OUTPUT CONTROL UNIT MODEL 3 UNIT NO. 16303125											
U 8	SYSTEM B5500 PAGE NO. 63-01-73-0											

Burroughs Corporation
 ELECTRODATA M&E DIVISION PASADENA CALIFORNIA
 PROPERTY OF BURROUGHS CORPORATION NOT TO BE REPRODUCED, NOR USED FOR MANUFACTURING PURPOSES, EXCEPT ON BURROUGHS ORDER OR PRIOR WRITTEN CONSENT

LOGIC SCHEMATIC



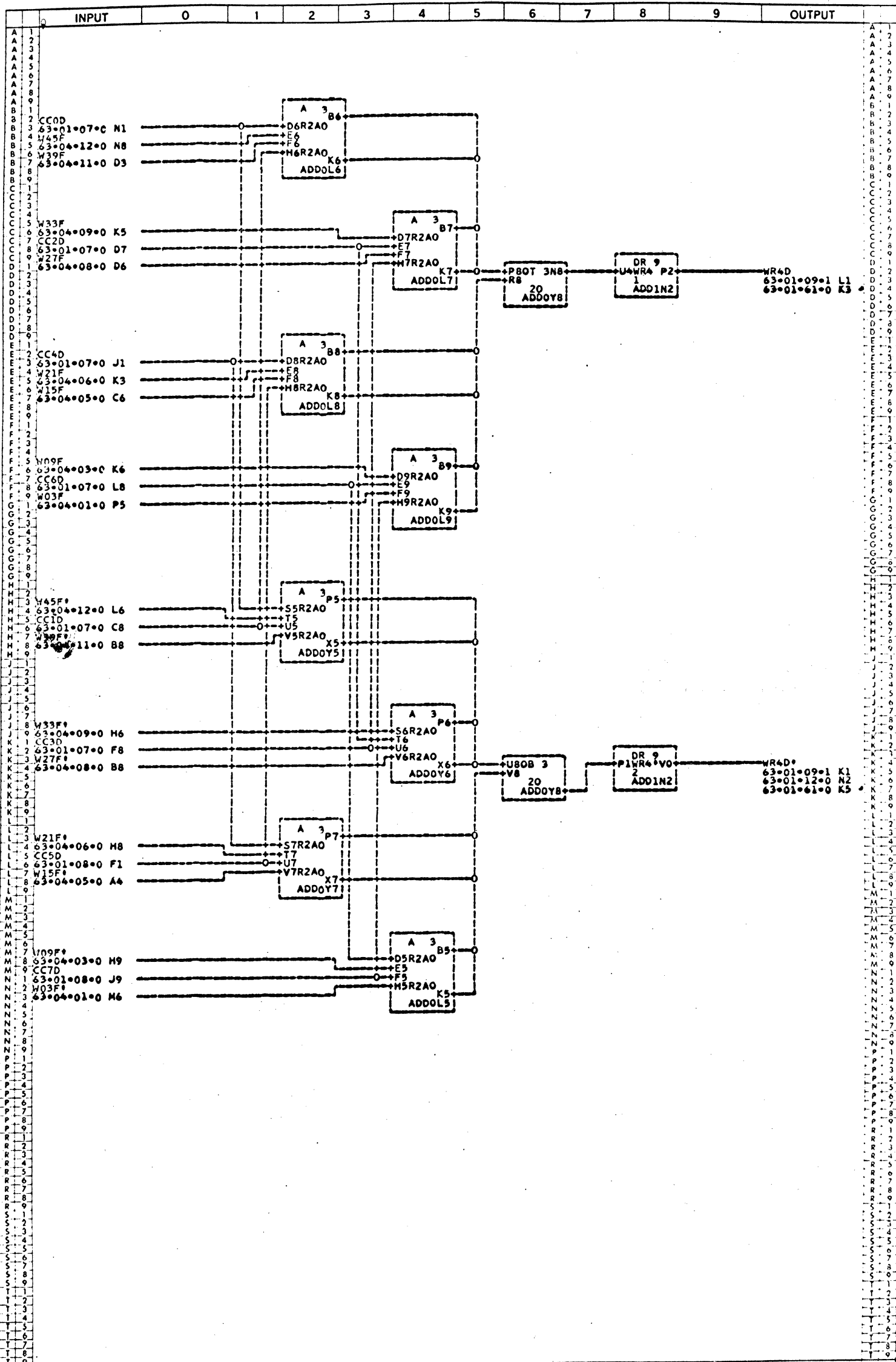
	INPUT	0	1	2	3	4	5	6	7	8	9	OUTPUT
U 2	TITLE W REGISTER 2 DRIVERS WR2D-WR2D											
U 4	DRAWN BY R WILLIAMS 28-AUG-61 CHECKED BY SNODGRASS											
U 6	UNIT NAME INPUT-OUTPUT CONTROL UNIT MODEL 3											
U 8	SYSTEM B5900											

ELECTRODATA **Burroughs Corporation** PASADENA CALIFORNIA

M&E DIVISION

PROPERTY OF BURROUGHS CORPORATION. NOT TO BE REPRODUCED, NOR USED FOR MANUFACTURING PURPOSES, EXCEPT ON BURROUGHS ORDER OR PRIOR WRITTEN CONSENT.

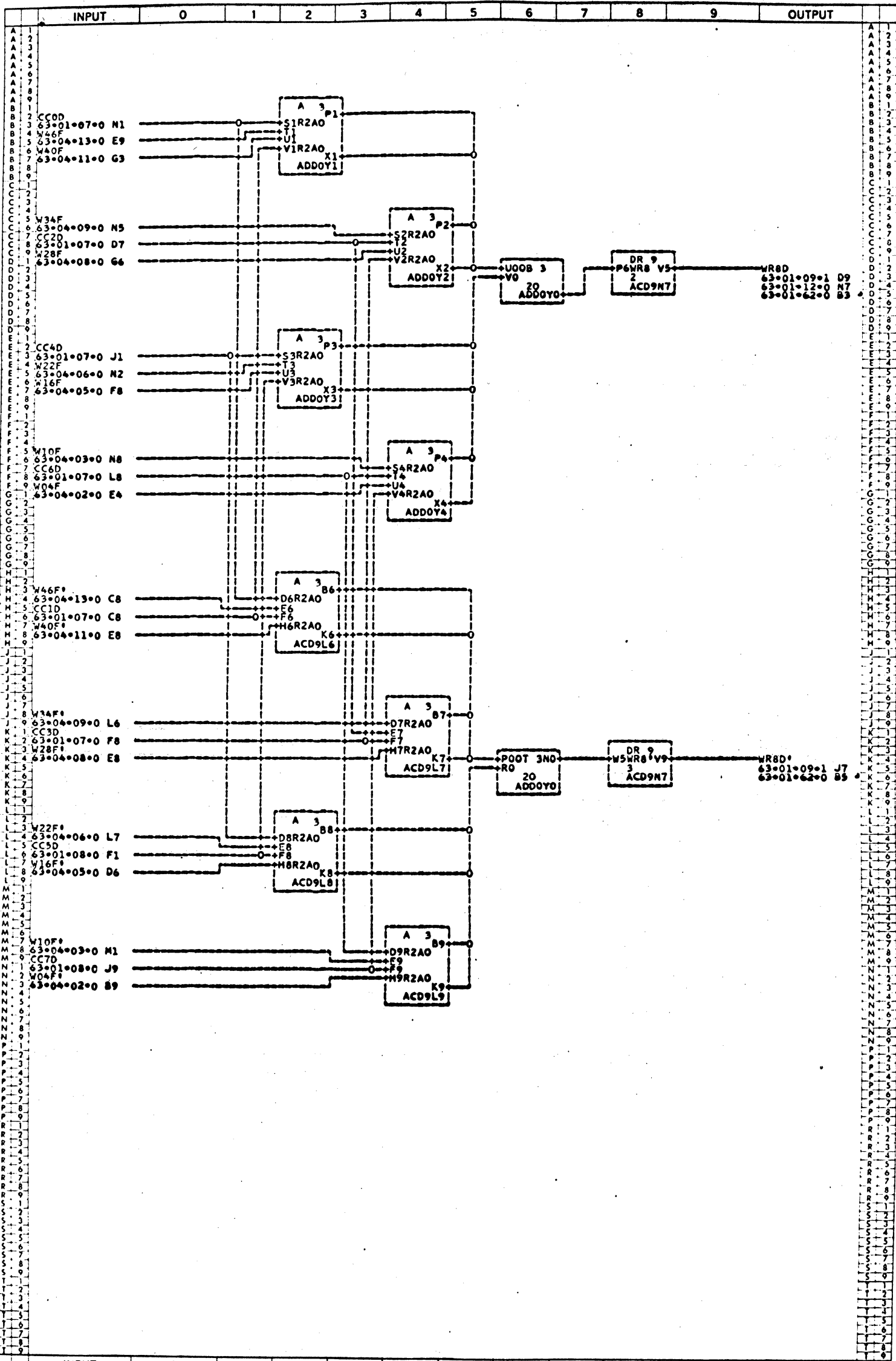
LOGIC SCHEMATIC



	INPUT	0	1	2	3	4	5	6	7	8	9	OUTPUT
U 2	TITLE W REGISTER & DRIVERS WR4D-WR4D* M- 11202835AA											
U 4	DRAWN BY R WILLIAMS 28 AUG 61 CHECKED BY SNODGRASS 8-28-61											
U 6	UNIT NAME INPUT-OUTPUT CONTROL UNIT MODEL 3 UNIT NO. 16303125											
U 8	SYSTEM 85500 PAGE NO. 63-01-75-00											

Burroughs Corporation
 ELECTRODATA M&E DIVISION PASADENA CALIFORNIA
PROPERTY OF BURROUGHS CORPORATION NOT TO BE REPRODUCED, NOR USED FOR MANUFACTURING PURPOSES EXCEPT ON BURROUGHS ORDER OR PRIOR WRITTEN CONSENT

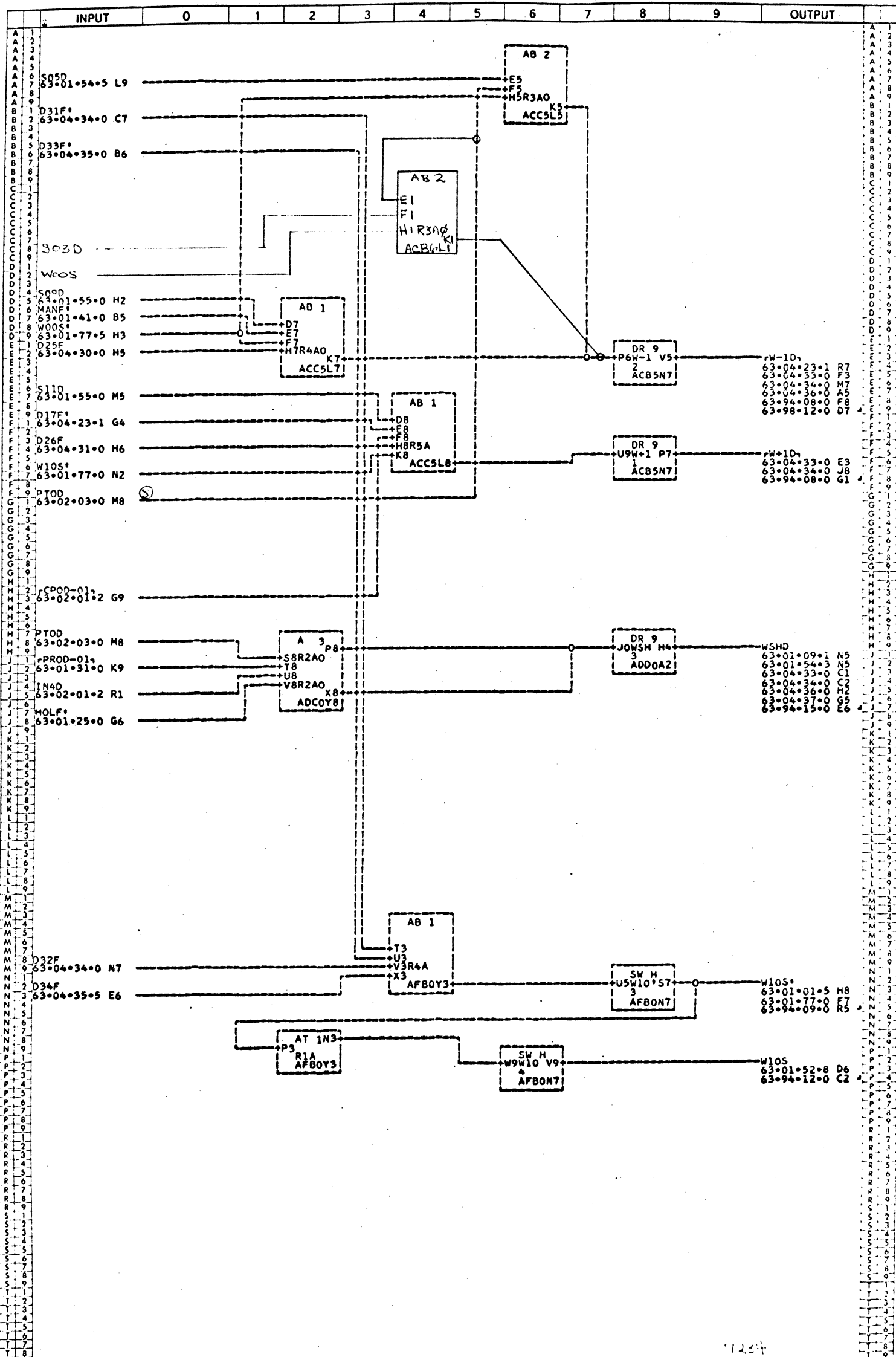
LOGIC SCHEMATIC



INPUT	0	1	2	3	4	5	6	7	8	9	OUTPUT
U 2	TITLE W REGISTER 8 DRIVERS WR8D-WR8D*										U 2
U 4	DRAWN BY R WILLIAMS 28 AUG 61 CHECKED BY SMOODGRASS										U 4
U 6	UNIT NAME INPUT-OUTPUT CONTROL UNIT MODEL 3										U 6
U 8	SYSTEM B5500										U 8

ELECTRODATA **Burroughs Corporation** PASADENA CALIFORNIA
 M&E DIVISION 3
PROPERTY OF BURROUGHS CORPORATION. NOT TO BE REPRODUCED, NOR USED FOR MANUFACTURING PURPOSES, EXCEPT ON BURROUGHS ORDER OR PRIOR WRITTEN CONSENT.

LOGIC SCHEMATIC



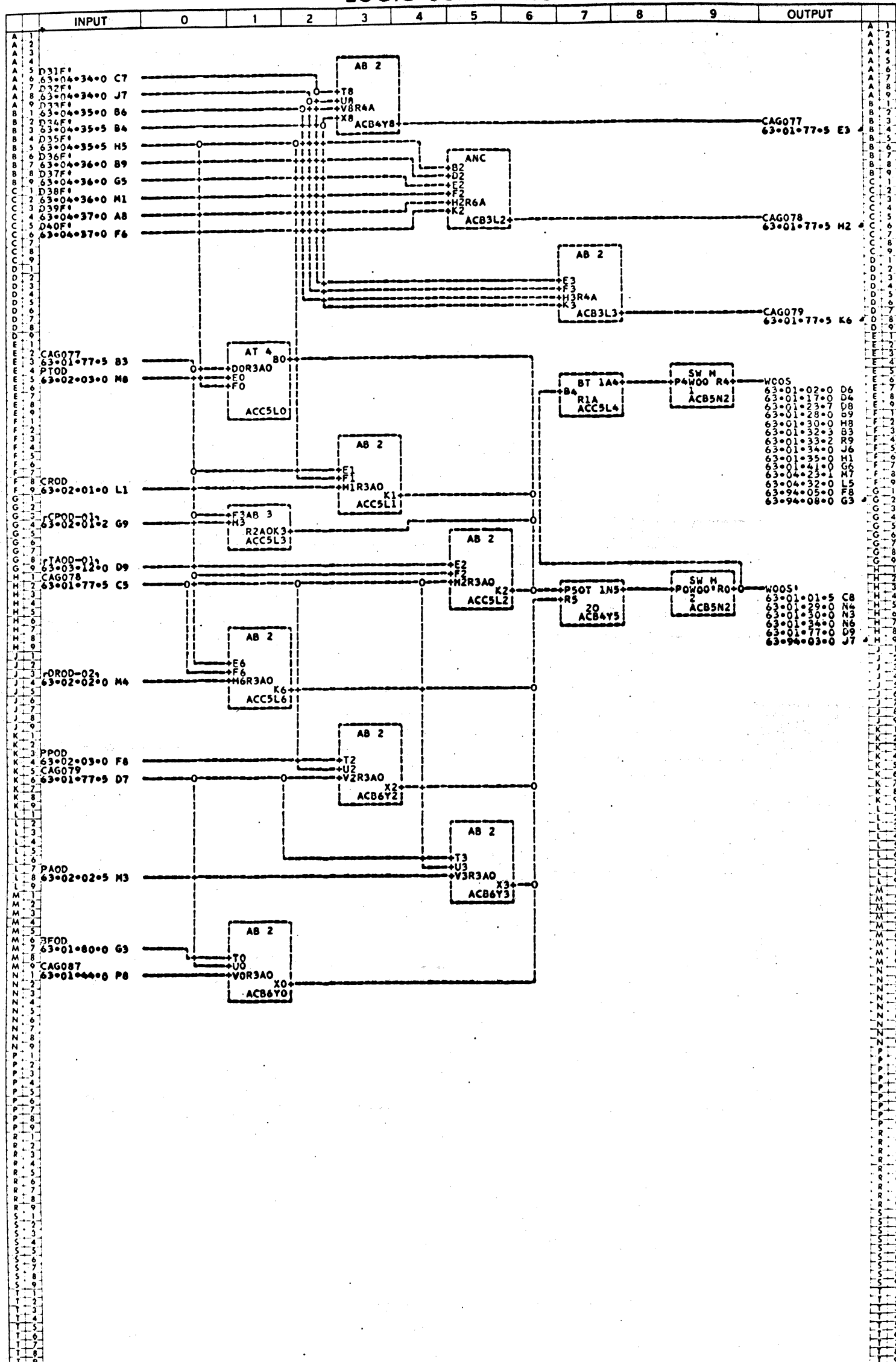
INPUT	0	1	2	3	4	5	6	7	8	9	OUTPUT
U 2	TITLE WORD COUNTER +1 -1 EQUAL 10-10 ⁴										U 2
U 4	DRAWN BY C.A. VIETOR 8-27-61 CHECKED BY SNODGRASS 8-29-61										U 4
U 6	UNIT NAME INPUT-OUTPUT CONTROL UNIT MODEL 3										U 6
U 8	SYSTEM B5500										U 8

11234

MAY 3 1965

Burroughs Corporation
 ELECTRODATA M&E DIVISION PASADENA CALIFORNIA
PROPERTY OF BURROUGHS CORPORATION NOT TO BE REPRODUCED, NOR USED FOR MANUFACTURING PURPOSES, EXCEPT ON BURROUGHS ORDER OR PRIOR WRITTEN CONSENT

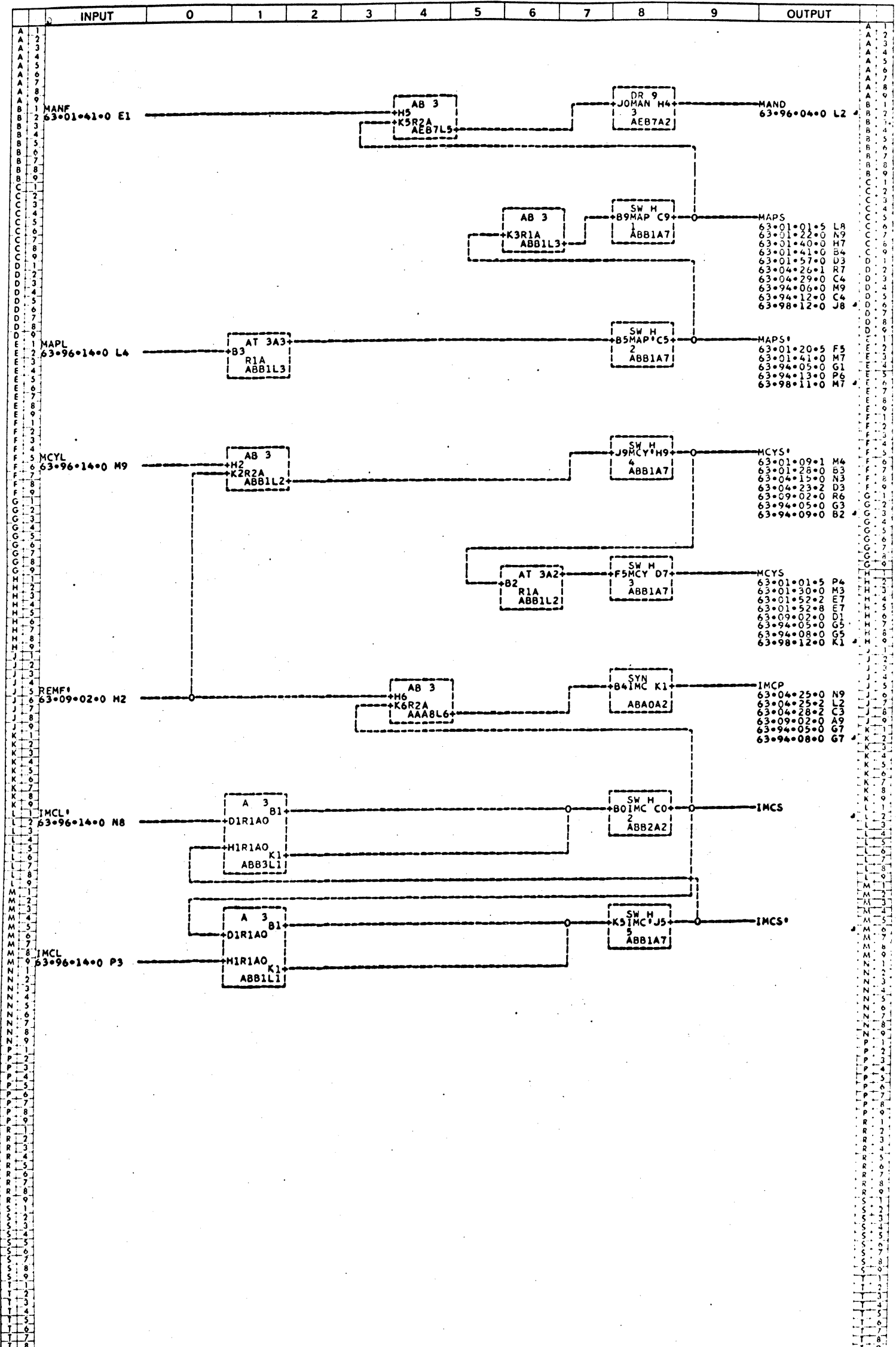
LOGIC SCHEMATIC



INPUT	0	1	2	3	4	5	6	7	8	9	OUTPUT
U 2	TITLE WORD COUNTER EQUAL 0 - 0 CAG077-078-079 H- 11202868A										U 2
U 4	DRAWN BY DOOLING CHECKED BY ENGLISH 6-27-62										U 4
U 6	UNIT NAME INPUT-OUTPUT CONTROL UNIT MODEL 3 UNIT NO. 16303129										U 6
U 8	SYSTEM B5500 PAGE NO. 63-01-77-5										U 8

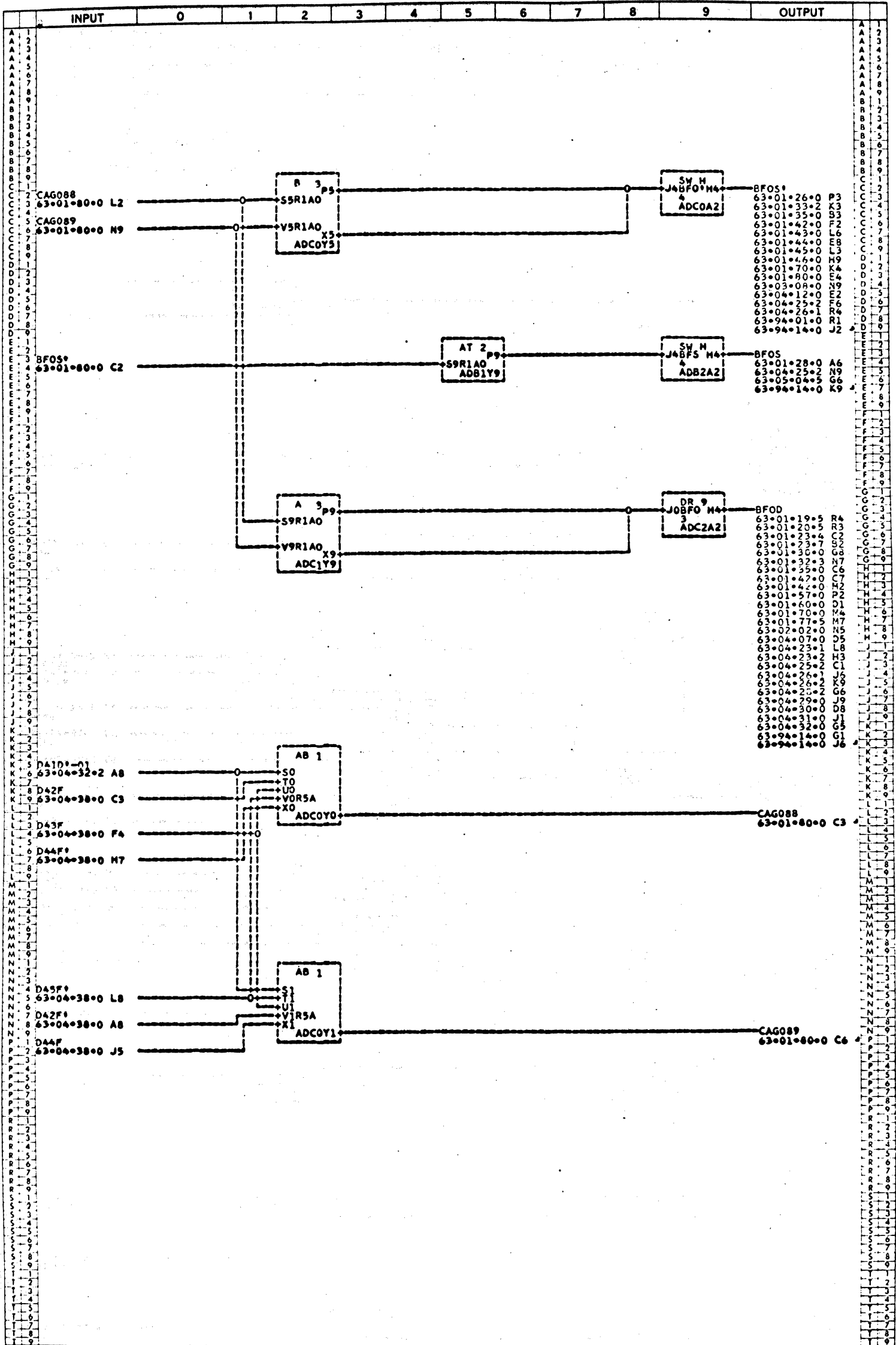
Burrhoughs Corporation
 ELECTRODATA M & E DIVISION PASADENA CALIFORNIA
PROPERTY OF BURROUGHS CORPORATION NOT TO BE REPRODUCED, NOR USED FOR MANUFACTURING PURPOSES, EXCEPT ON BURROUGHS ORDER OF PRIOR WRITTEN CONSENT.

LOGIC SCHEMATIC



U 2	TITLE	MAND	MAPS	MAPS'	MCYS'	MCYS	IMCP	IMCS	IMCS'	M- 11202876AB	
U 4	DRAWN BY	J MILLER	12-1-61	CHECKED BY	SNODGRASS						ELECTRODATA
U 6	UNIT NAME	INPUT-OUTPUT CONTROL UNIT MODEL 3			UNIT NO.	16303125			PASADENA CALIFORNIA		
U 8	SYSTEM	B5500			PAGE NO.	63-01-78-0			PROPERTY OF BURROUGHS CORPORATION NOT TO BE REPRODUCED, NOR USED FOR MANUFACTURING PURPOSES, EXCEPT ON BURROUGHS ORDER OR PRIOR WRITTEN CONSENT		

LOGIC SCHEMATIC

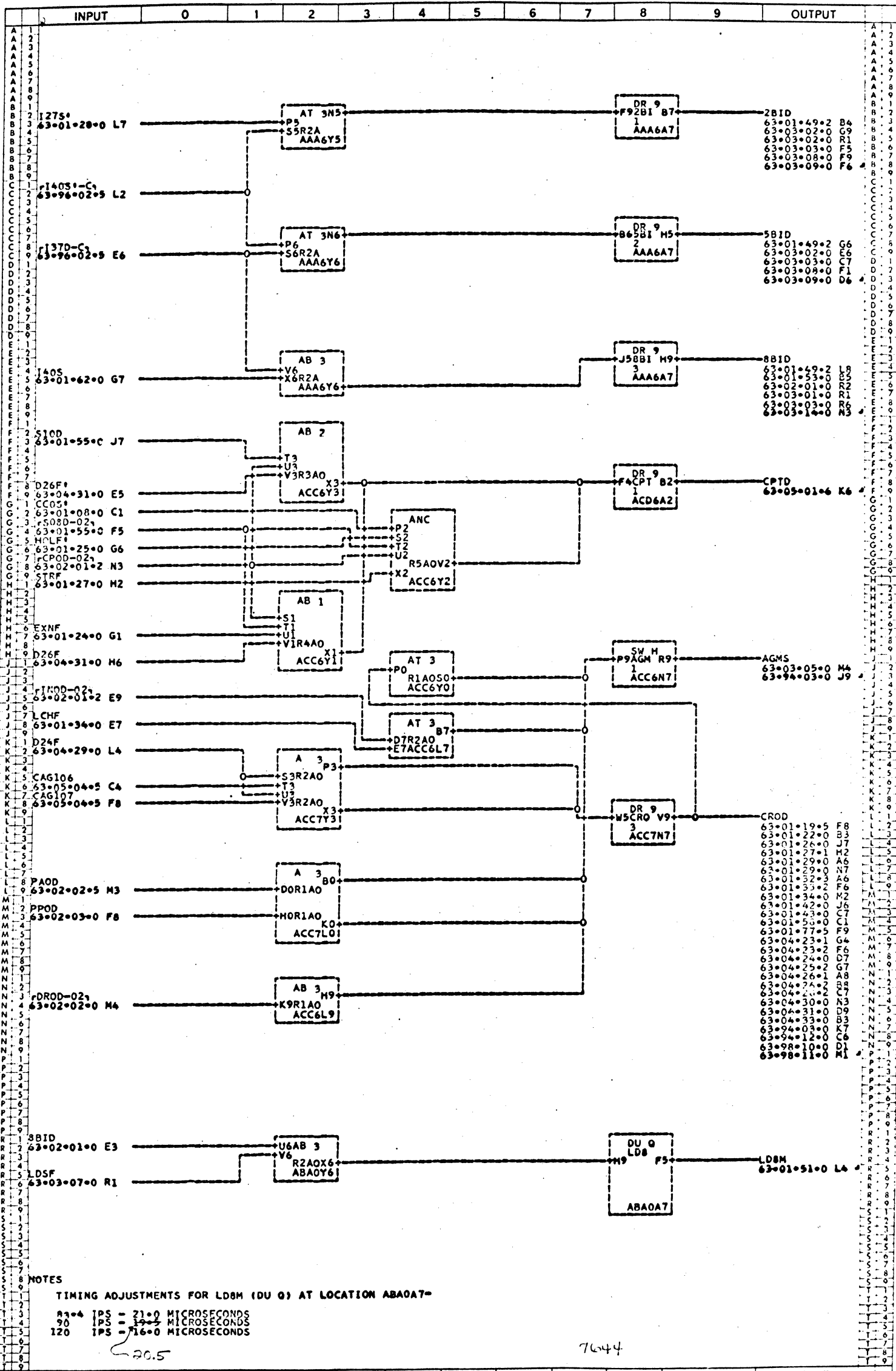


INPUT	0	1	2	3	4	5	6	7	8	9	OUTPUT
U 2	TITLE DRIVER BF0D SWITCH BF050 AND CAG'S 088 089 M- 1120280AA										U 2
U 4	DRAWN BY ROLLIN MANN CHECKED BY DUDLEY SHEPHERD										U 4
U 6	UNIT NAME INPUT-OUTPUT CONTROL UNIT MODEL 3 UNIT NO. 16303125										U 6
U 8	SYSTEM B5500 PAGE NO. 63-01-80-0										U 8

ELECTRODATA **Burroughs Corporation** **PASADENA CALIFORNIA**
 M & E DIVISION

PROPERTY OF BURROUGHS CORPORATION. NOT TO BE REPRODUCED, NOR USED FOR MANUFACTURING PURPOSES, EXCEPT ON BURROUGHS ORDER OR PRIOR WRITTEN CONSENT.

LOGIC SCHEMATIC



NOTES
TIMING ADJUSTMENTS FOR LD8M (DU 0) AT LOCATION ABA0A7-

83-4	IPS	=	21-0	MICROSECONDS
90	IPS	=	19-5	MICROSECONDS
120	IPS	=	16-0	MICROSECONDS

20.5

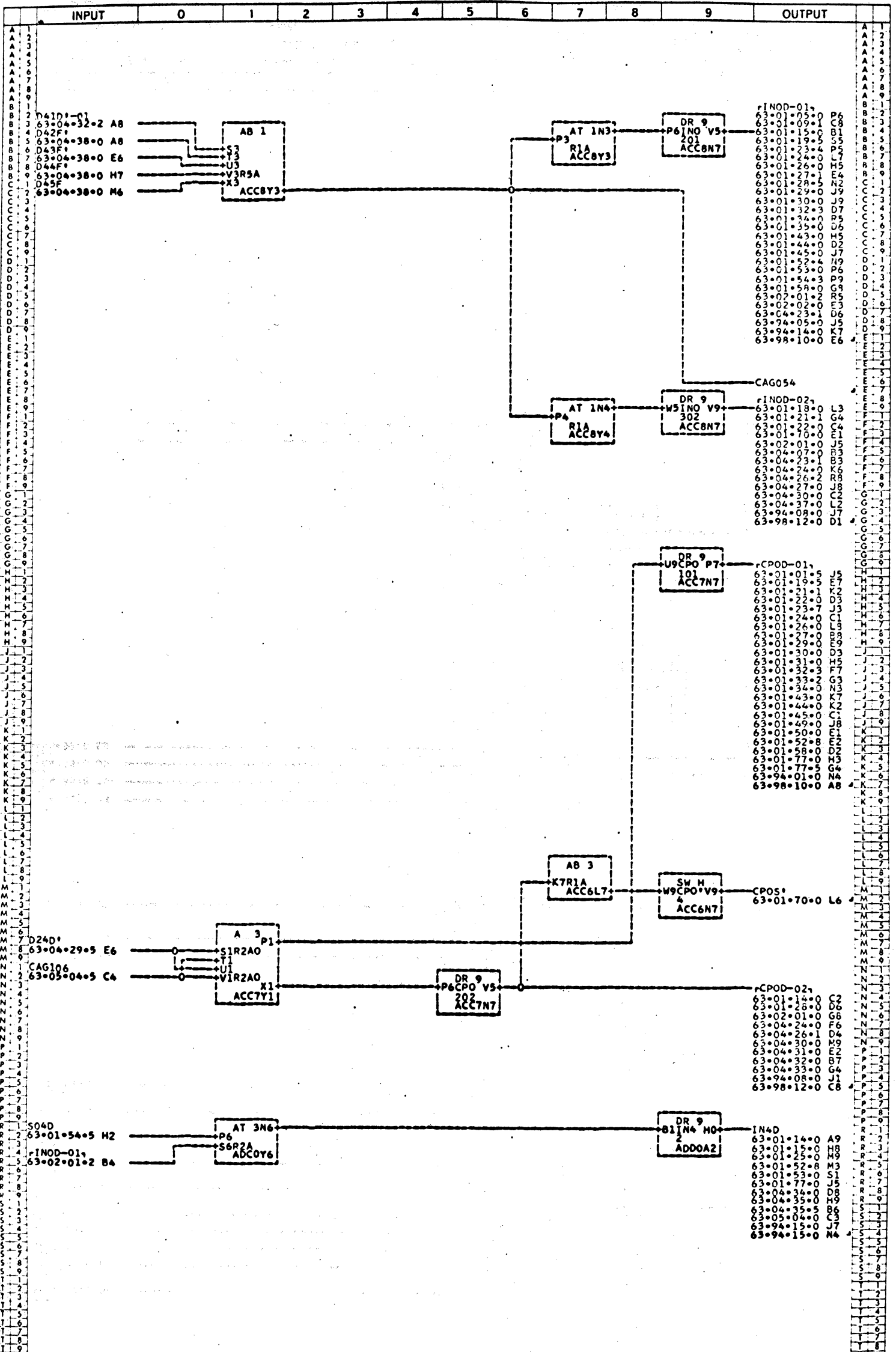
7644

INPUT	0	1	2	3	4	5	6	7	8	9	OUTPUT		
U 2	TITLE CARD READ AND PUNCH OPERATE SW										M- 11202892AA	U 2	
U 4	DRAWN BY R J MILLER										8-28-61 CHECKED BY SNODGRASS	8-29-61	U 4
U 6	UNIT NAME INPUT-OUTPUT CONTROL UNIT MODEL 3										UNIT NO. 16303125	U 6	
U 8	SYSTEM B5500										PAGE NO. 63-02-01-0	U 8	

Burroughs Corporation
PASADENA CALIFORNIA

PROPERTY OF BURROUGHS CORPORATION NOT TO BE REPRODUCED, NOR USED FOR MANUFACTURING PURPOSES, EXCEPT ON BURROUGHS ORDER OR PRIOR WRITTEN CONSENT

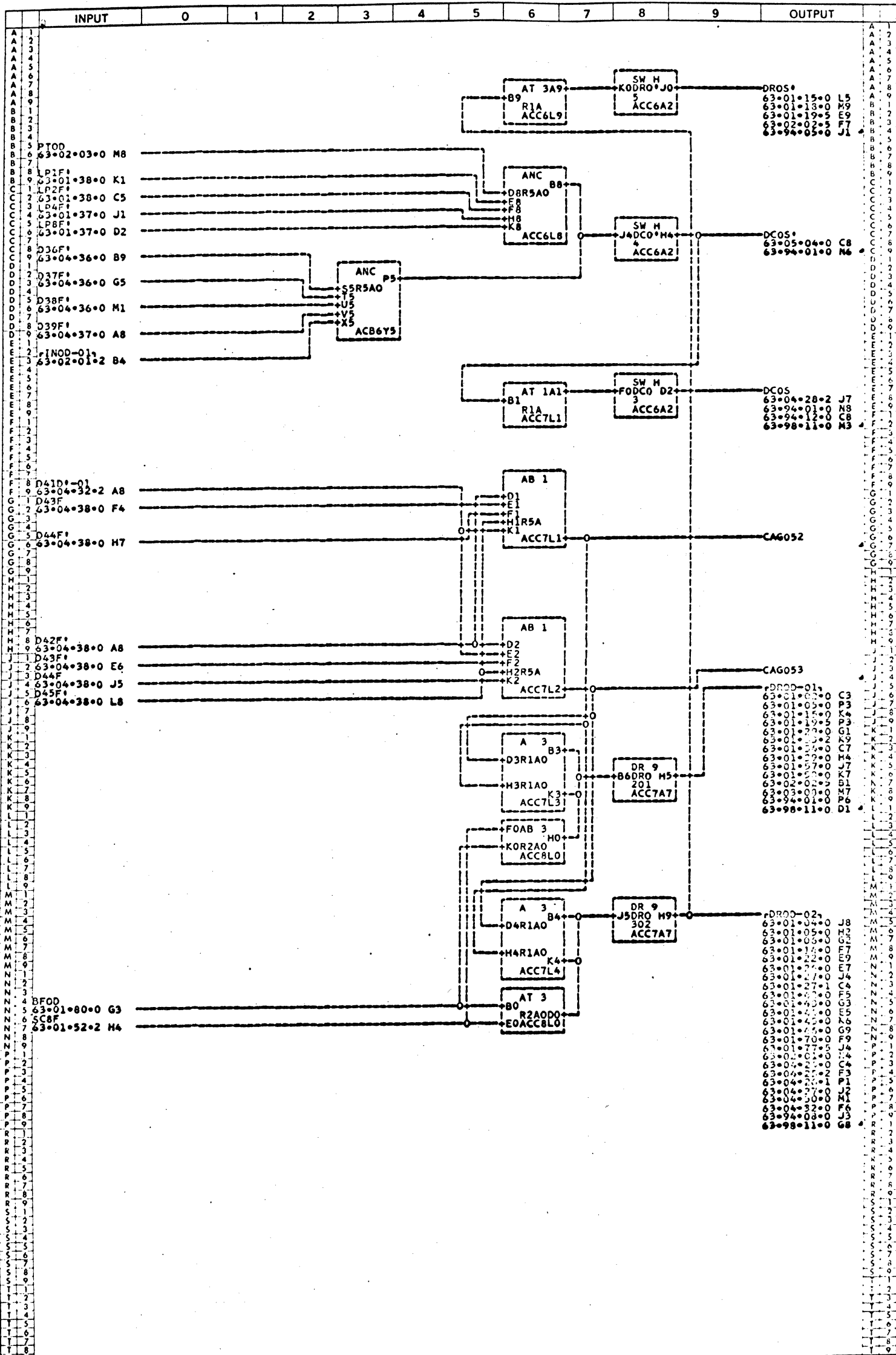
LOGIC SCHEMATIC



	INPUT	0	1	2	3	4	5	6	7	8	9	OUTPUT	
U 2	TITLE CARD PUNCH OPERATE DR'S INQUIRY DR'S 1-2 CAG 54 H- 11202900A8												U 2
U 4	DRAWN BY S SMITH CHECKED BY DUDLEY SHEPHERD												U 4
U 6	UNIT NAME INPUT-OUTPUT CONTROL UNIT MODEL 3 UNIT NO. 16303125												U 6
U 8	SYSTEM B5500 PAGE NO. 63-02-01-2												U 8

ELECTRODATA **Burroughs Corporation** **PASADENA CALIFORNIA**
PROPERTY OF BURROUGHS CORPORATION. NOT TO BE REPRODUCED, NOR USED FOR MANUFACTURING PURPOSES, EXCEPT ON BURROUGHS ORDER OR PRIOR WRITTEN CONSENT

LOGIC SCHEMATIC

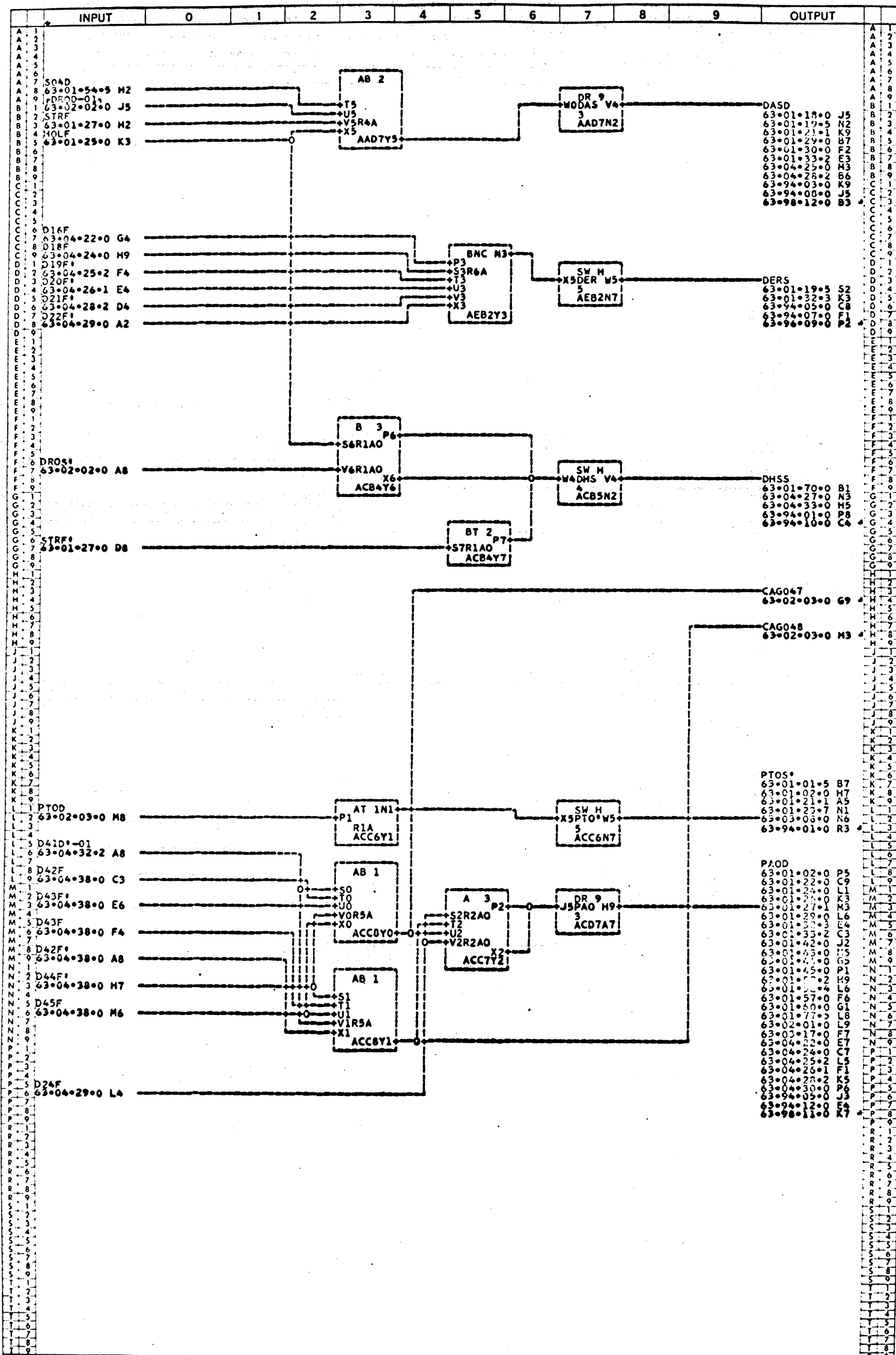


INPUT	0	1	2	3	4	5	6	7	8	9	OUTPUT
U 2	TITLE MAGNETIC DRUM OPERATE DR'S AND SW'S CAG052 - 053 H- 11202918AA										U 2
U 4	DRAWN BY N MOGLE CHECKED BY SNOGRASS 8-29-61										U 4
U 6	UNIT NAME INPUT-OUTPUT CONTROL UNIT MODEL 3 UNIT NO. 16203125										U 6
U 8	SYSTEM B5500 PAGE NO. 63*02*02*0										U 8

ELECTRODATA **Burroughs Corporation** PASADENA CALIFORNIA
 M & E DIVISION

PROPERTY OF BURROUGHS CORPORATION NOT TO BE REPRODUCED, NOR USED FOR MANUFACTURING PURPOSES, EXCEPT ON BURROUGHS ORDER OR PRIOR WRITTEN CONSENT

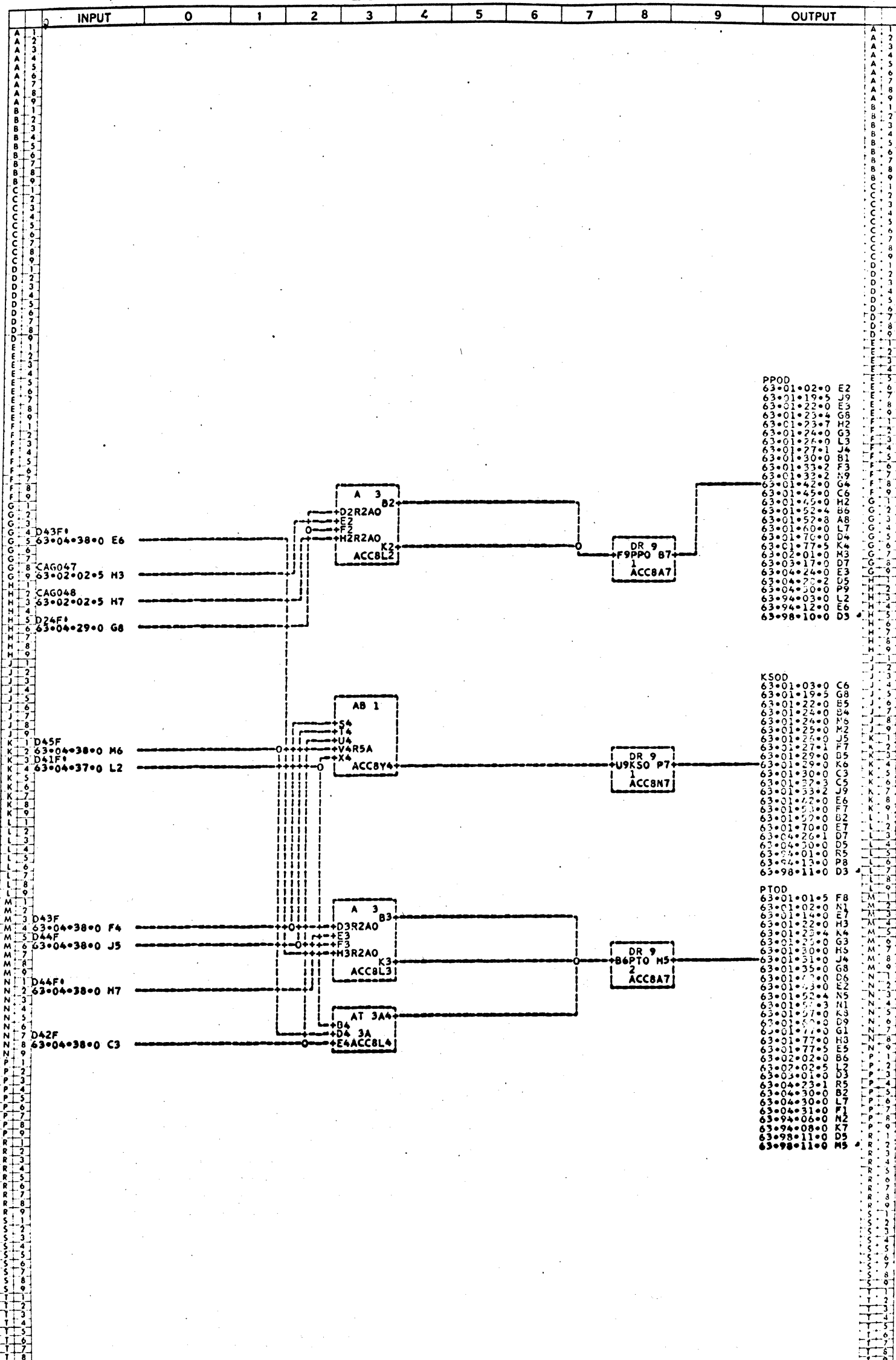
LOGIC SCHEMATIC



INPUT	0	1	2	3	4	5	6	7	8	9	OUTPUT
U 2	TITLE DASD-DERS-DHSS-PTOS PAPER TAPE READER DR H- 11202926AA										U 2
U 4	DRAWN BY C-DOOLING CHECKED BY SNODGRASS 10-5-61										U 4
U 6	UNIT NAME INPUT-OUTPUT CONTROL UNIT MODEL 3 UNIT NO. 16303128										U 6
U 8	SYSTEM B5500 PAGE NO. 63-02-02-5										U 8

Burroughs Corporation
 ELECTRODATA DIVISION PASADENA CALIFORNIA
 PROPERTY OF BURROUGHS CORPORATION. NOT TO BE REPRODUCED, NOR USED FOR MANUFACTURING PURPOSES EXCEPT ON BURROUGHS ORDER OR PRIOR WRITTEN CONSENT.

LOGIC SCHEMATIC



- PP0D
- 63*01*02*0 E2
- 63*01*19*5 J9
- 63*01*22*0 E8
- 63*01*23*4 G8
- 63*01*23*7 H2
- 63*01*24*0 G3
- 63*01*27*0 L3
- 63*01*27*1 J4
- 63*01*30*0 B1
- 63*01*33*2 F3
- 63*01*33*2 F9
- 63*01*42*0 G4
- 63*01*45*0 C6
- 63*01*45*0 H2
- 63*01*52*4 B6
- 63*01*52*8 A7
- 63*01*60*0 L7
- 63*01*70*0 D4
- 63*01*77*5 K4
- 63*01*81*0 H3
- 63*04*24*0 E3
- 63*04*28*2 D5
- 63*04*30*0 P9
- 63*94*03*0 L2
- 63*94*12*0 E6
- 63*98*10*0 D3

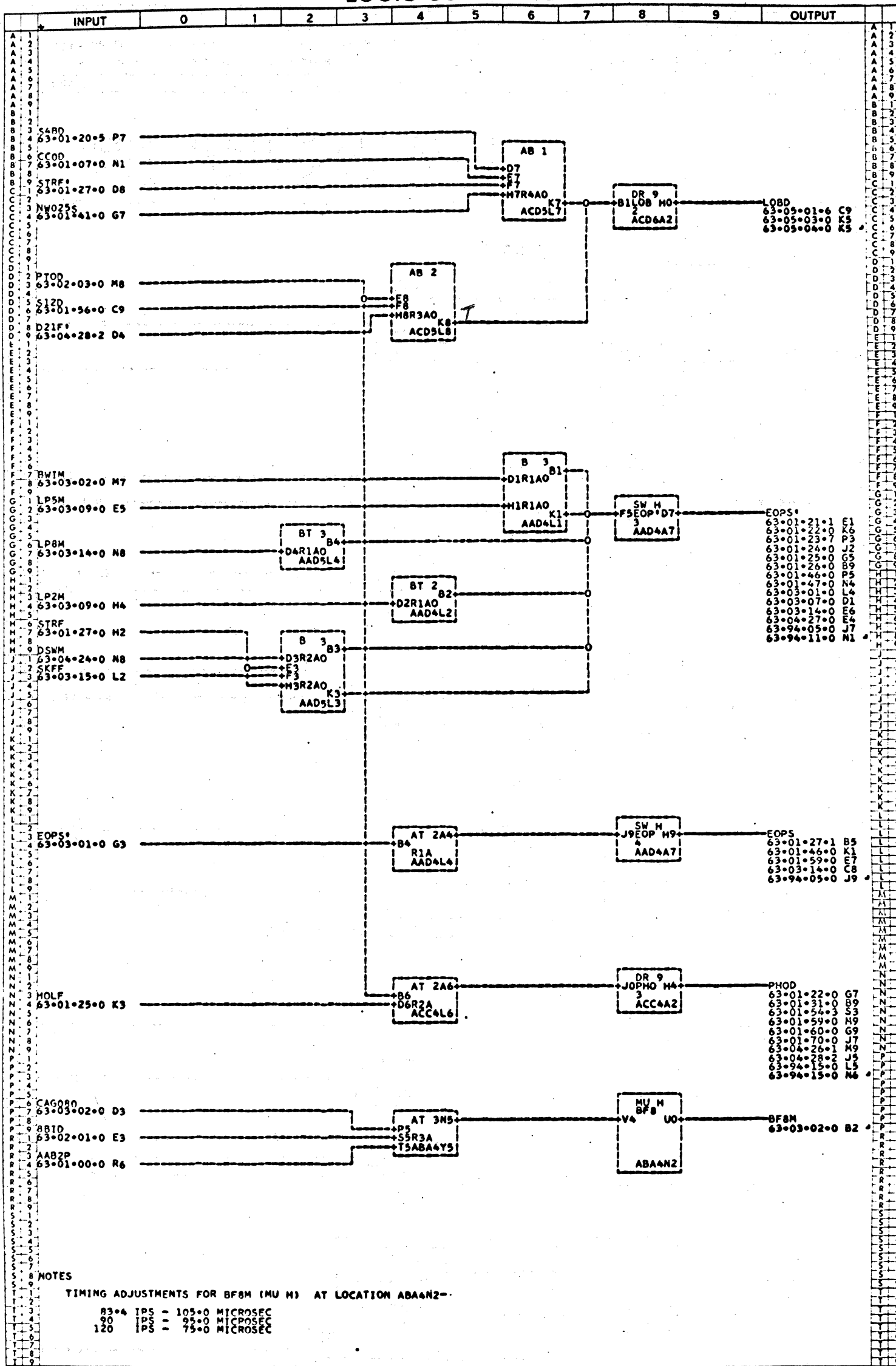
- KS0D
- 63*01*03*0 C6
- 63*01*19*5 G8
- 63*01*22*0 E5
- 63*01*24*0 E4
- 63*01*24*0 M6
- 63*01*25*0 M2
- 63*01*27*1 F7
- 63*01*29*0 D5
- 63*01*29*0 K6
- 63*01*30*0 C3
- 63*01*37*3 C5
- 63*01*53*2 J9
- 63*01*57*0 E6
- 63*01*57*0 B2
- 63*01*70*0 E7
- 63*04*26*1 D7
- 63*04*30*0 D5
- 63*04*01*0 R5
- 63*04*13*0 P8
- 63*98*11*0 D3

- PT0D
- 63*01*01*5 F8
- 63*01*02*0 N1
- 63*01*14*0 E7
- 63*01*22*0 H3
- 63*01*23*4 K4
- 63*01*23*0 G3
- 63*01*30*0 H3
- 63*01*31*0 J4
- 63*01*35*0 G8
- 63*01*47*0 D6
- 63*01*49*0 E2
- 63*01*52*4 N5
- 63*01*57*3 N1
- 63*01*57*0 K3
- 63*01*57*0 D9
- 63*01*77*0 H3
- 63*01*77*5 E5
- 63*02*02*0 B6
- 63*02*03*5 H7
- 63*02*03*0 H3
- 63*04*23*1 R5
- 63*04*30*0 B2
- 63*04*30*0 L7
- 63*04*31*0 F1
- 63*94*06*0 N2
- 63*94*08*0 K7
- 63*98*11*0 D5
- 63*98*11*0 H5

INPUT	0	1	2	3	4	5	6	7	8	9	OUTPUT
U 2	TITLE PAPER TAPE PUNCH - SPO OPERATE DRIVERS										U 2
U 4	DRAWN BY R WILLIAMS 28 AUG 61 CHECKED BY SNODGRASS 8-30-61										U 4
U 6	UNIT NAME INPUT-OUTPUT CONTROL UNIT MODEL 3										U 6
U 8	SYSTEM B5500										U 8

Burroughs Corporation
 PASADENA CALIFORNIA
 ELECTRODATA M&E DIVISION
 PROPERTY OF BURROUGHS CORPORATION NOT TO BE REPRODUCED NOR USED FOR MANUFACTURING PURPOSES, EXCEPT ON BURROUGHS ORDER OR PRIOR WRITTEN CONSENT

LOGIC SCHEMATIC



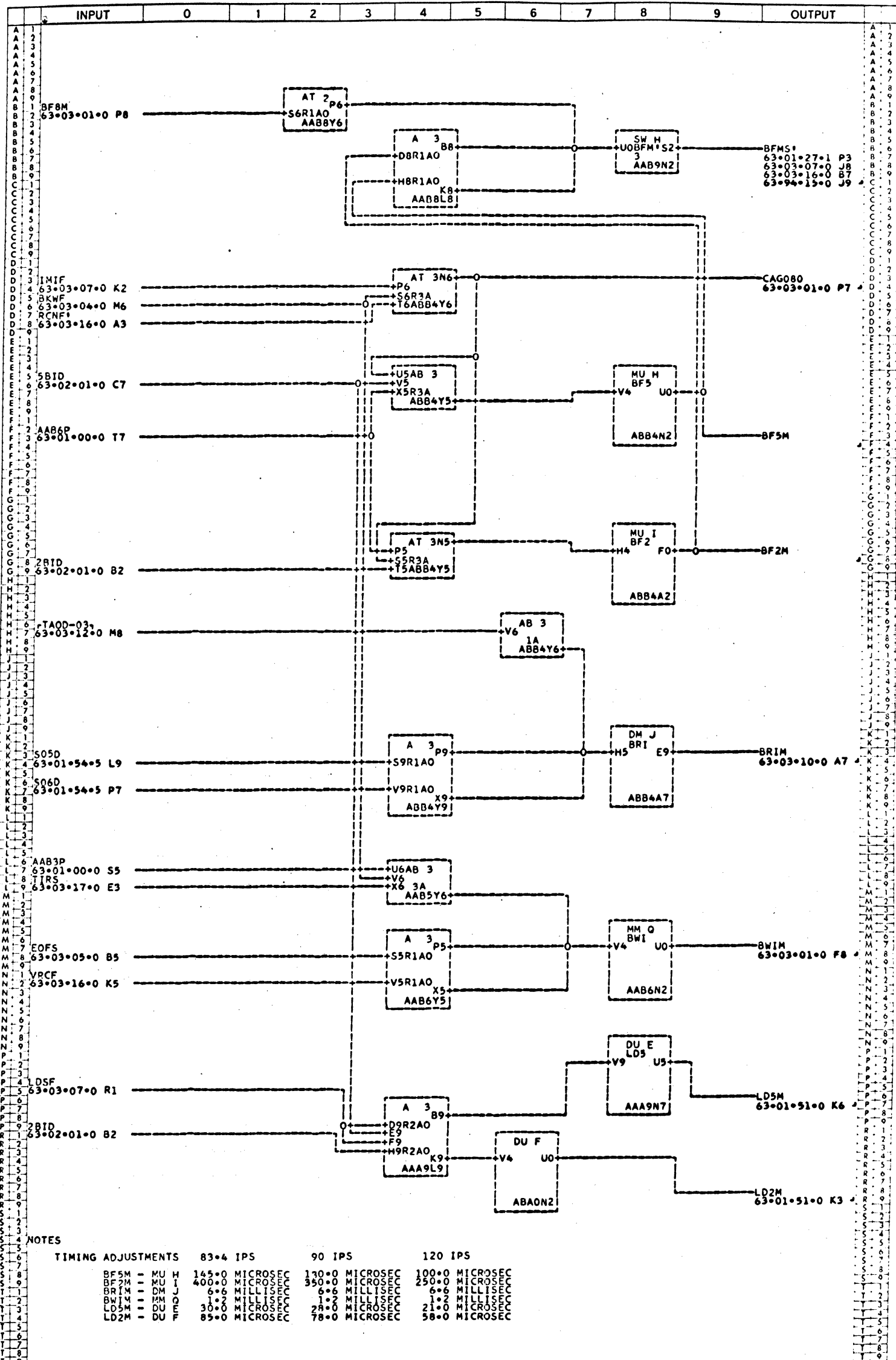
NOTES
 TIMING ADJUSTMENTS FOR BFBM (MU H) AT LOCATION ABA4N2--
 83.4 IPS - 105.0 MICROSEC
 90 IPS - 95.0 MICROSEC
 120 IPS - 75.0 MICROSEC

INPUT	0	1	2	3	4	5	6	7	8	9	OUTPUT
U 2 TITLE END OF PAGE SW'S AND D TO OB DR						M- 11202942AD					U 2
U 4 DRAWN BY R J MILLER 8-28-61						CHECKED BY SNOODGRASS 8-28-61					U 4
U 6 UNIT NAME INPUT-OUTPUT CONTROL UNIT MODEL 3						UNIT NO. 16303125					U 6
U 8 SYSTEM B5500						PAGE NO. 63-03-01-0					U 8

Burroughs Corporation
 PASADENA CALIFORNIA

PROPERTY OF BURROUGHS CORPORATION. NOT TO BE REPRODUCED, NOR USED FOR MANUFACTURING PURPOSES, EXCEPT ON BURROUGHS ORDER OR PRIOR WRITTEN CONSENT.

LOGIC SCHEMATIC

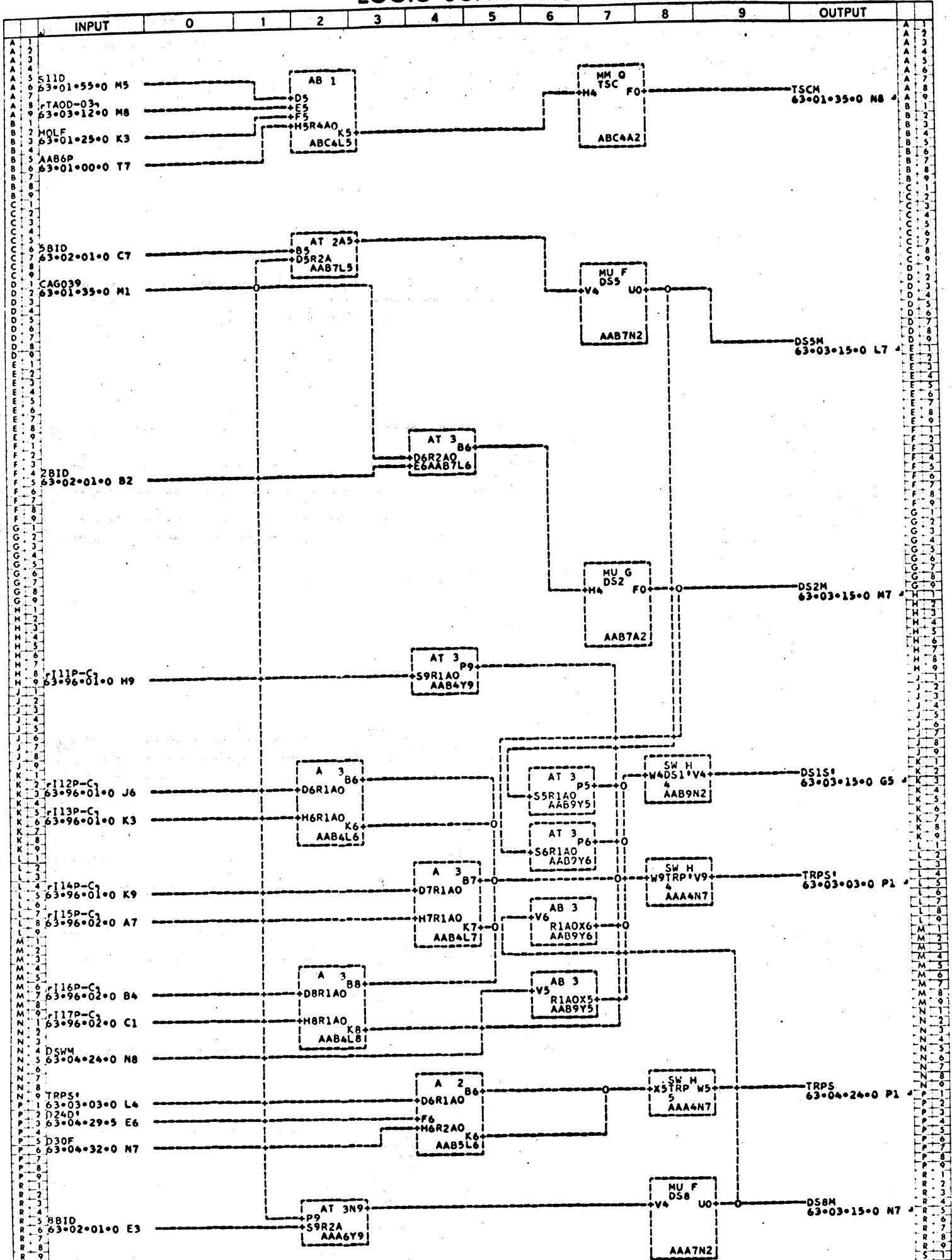


NOTES

TIMING ADJUSTMENTS		83.4 IPS	90 IPS	120 IPS
BF5M	- MU H	145.0 MICROSEC	130.0 MICROSEC	100.0 MICROSEC
BF2M	- MU I	400.0 MICROSEC	350.0 MICROSEC	250.0 MICROSEC
BR1M	- DM J	6.6 MILLISEC	6.6 MILLISEC	6.6 MILLISEC
BW1M	- MM Q	1.2 MICROSEC	1.2 MICROSEC	1.2 MICROSEC
LD5M	- DU F	30.0 MICROSEC	28.0 MICROSEC	21.0 MICROSEC
LD2M	- DU F	85.0 MICROSEC	78.0 MICROSEC	58.0 MICROSEC

U 2	TITLE	TAPE BKWD. MULTI'S BF5M-BF2M-BR1M-BW1M-LD5M	M- 11202959AC	ELECTRODATA	Burroughs Corporation	PASADENA CALIFORNIA
U 4	DRAWN BY	N MOGLE	8-28-61	CHECKED BY	SNODGRASS	8-30-61
U 6	UNIT NAME	INPUT-OUTPUT CONTROL UNIT MODEL 3		UNIT NO.		16303125
U 8	SYSTEM	B5500		PAGE NO.		A3.03.02.0

LOGIC SCHEMATIC



NOTES

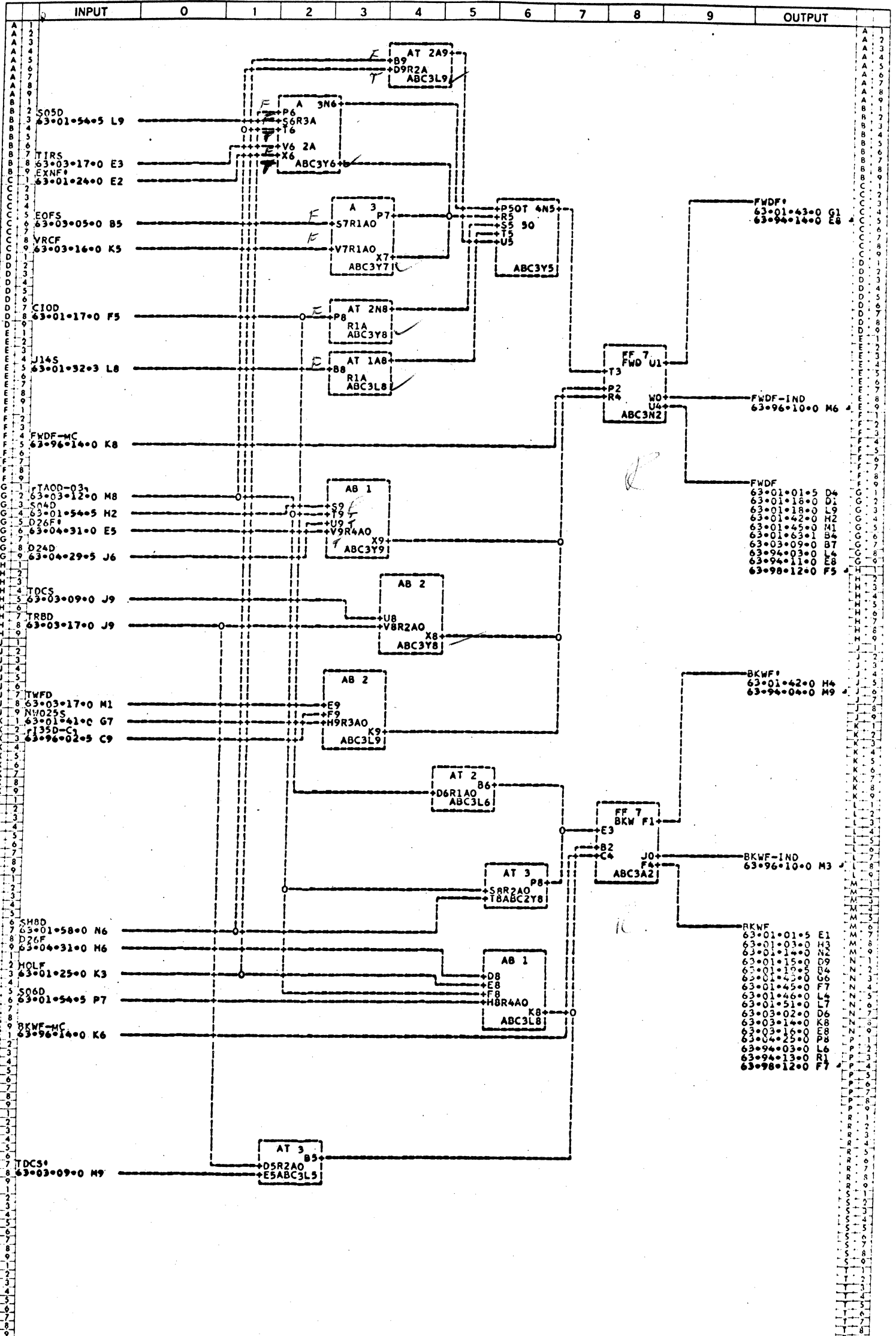
TIMING ADJUSTMENTS	83-4 IPS	90 IPS	120 IPS
TSCM - MM O	2.1 MILLISEC	2.0 MILLISEC	1.5 MILLISEC
DS5M - MU F	9.3 MICROSEC	9.0 MICROSEC	6.0 MICROSEC
DS2M - MU G	28.0 MICROSEC	26.0 MICROSEC	12.0 MICROSEC
DS8M - MU F	6.0 MICROSEC	5.5 MICROSEC	3.9 MICROSEC

INPUT	0	1	2	3	4	5	6	7	8	9	OUTPUT	
U 2	TITLE DIGIT SKEW MULTI'S										M- 11202967AB	U 2
U 4	DRAWN BYR WILLIAMS 28 AUG 61										CHECKED BY SNODGRASS 8-30-61	U 4
U 6	UNIT NAME INPUT-OUTPUT CONTROL UNIT MODEL 3										UNIT NO. 16303125	U 6
U 8	SYSTEM B3500										PAGE NO. 63-03-03-0	U 8

ELECTRODATA **Burroughs Corporation** **PASADENA CALIFORNIA**

PROPERTY OF BURROUGHS CORPORATION NOT TO BE REPRODUCED, NOR USED FOR MANUFACTURING PURPOSES, EXCEPT ON BURROUGHS ORDER OR PRIOR WRITTEN CONSENT.

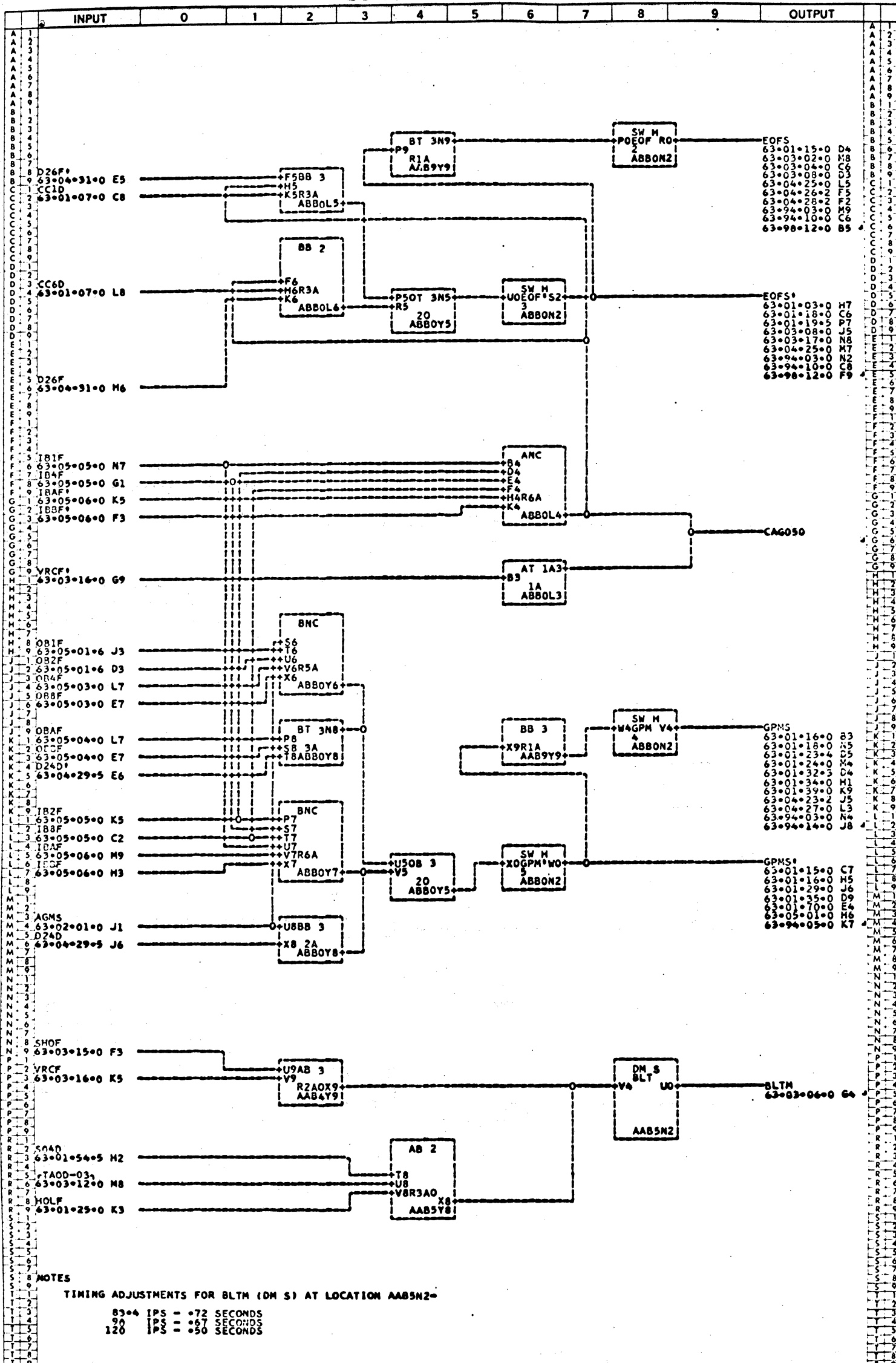
LOGIC SCHEMATIC



U 2	U 4	U 6	U 8	INPUT	0	1	2	3	4	5	6	7	8	9	OUTPUT	U 2	U 4	U 6	U 8
				TITLE FORWARD AND BACKWARD FF'S FWF-BKW															
				DRAWN BY R WILLIAMS 29 AUG 61															
				UNIT NAME INPUT-OUTPUT CONTROL UNIT MODEL 3															
				SYSTEM B5500															

ELECTRODATA M&E DIVISION **Burroughs Corporation** PASADENA CALIFORNIA
 PROPERTY OF BURROUGHS CORPORATION. NOT TO BE REPRODUCED, NOR USED FOR MANUFACTURING PURPOSES, EXCEPT ON BURROUGHS ORDER OR PRIOR WRITTEN CONSENT.

LOGIC SCHEMATIC



NOTES

TIMING ADJUSTMENTS FOR BLTM (DM S) AT LOCATION AAB5N2-

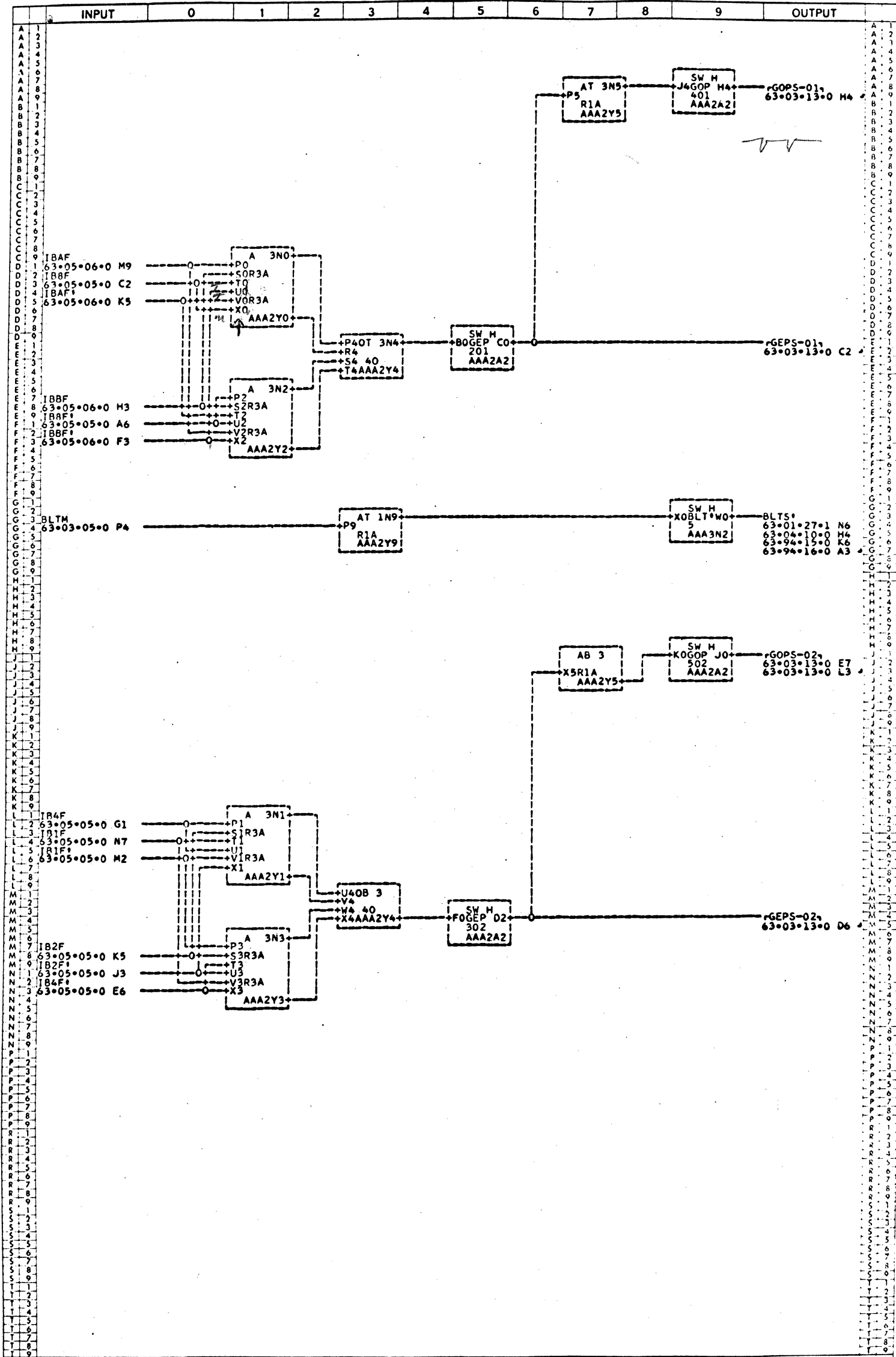
85.4 IPS = .72 SECONDS
 90 IPS = .67 SECONDS
 120 IPS = .50 SECONDS

INPUT	0	1	2	3	4	5	6	7	8	9	OUTPUT
U 2	TITLE END OF FILE AND GROUP MARK SWITCHES AND CAG090 M- 11202983AA										U 2
U 4	DRAWN BY M MOGLE 8-29-61 CHECKED BY SMOGRASS 8-30-61										U 4
U 6	UNIT NAME INPUT-OUTPUT CONTROL UNIT MODEL 3 UNIT NO. 16303125										U 6
U 8	SYSTEM ASS00 PAGE NO. 63-03-05-00										U 8

ELECTRODATA **Burroughs Corporation** PASADENA CALIFORNIA
 M & E DIVISION

PROPERTY OF BURROUGHS CORPORATION NOT TO BE REPRODUCED, NOR USED FOR MANUFACTURING PURPOSES, EXCEPT ON BURROUGHS ORDER OR PRIOR WRITTEN CONSENT.

LOGIC SCHEMATIC

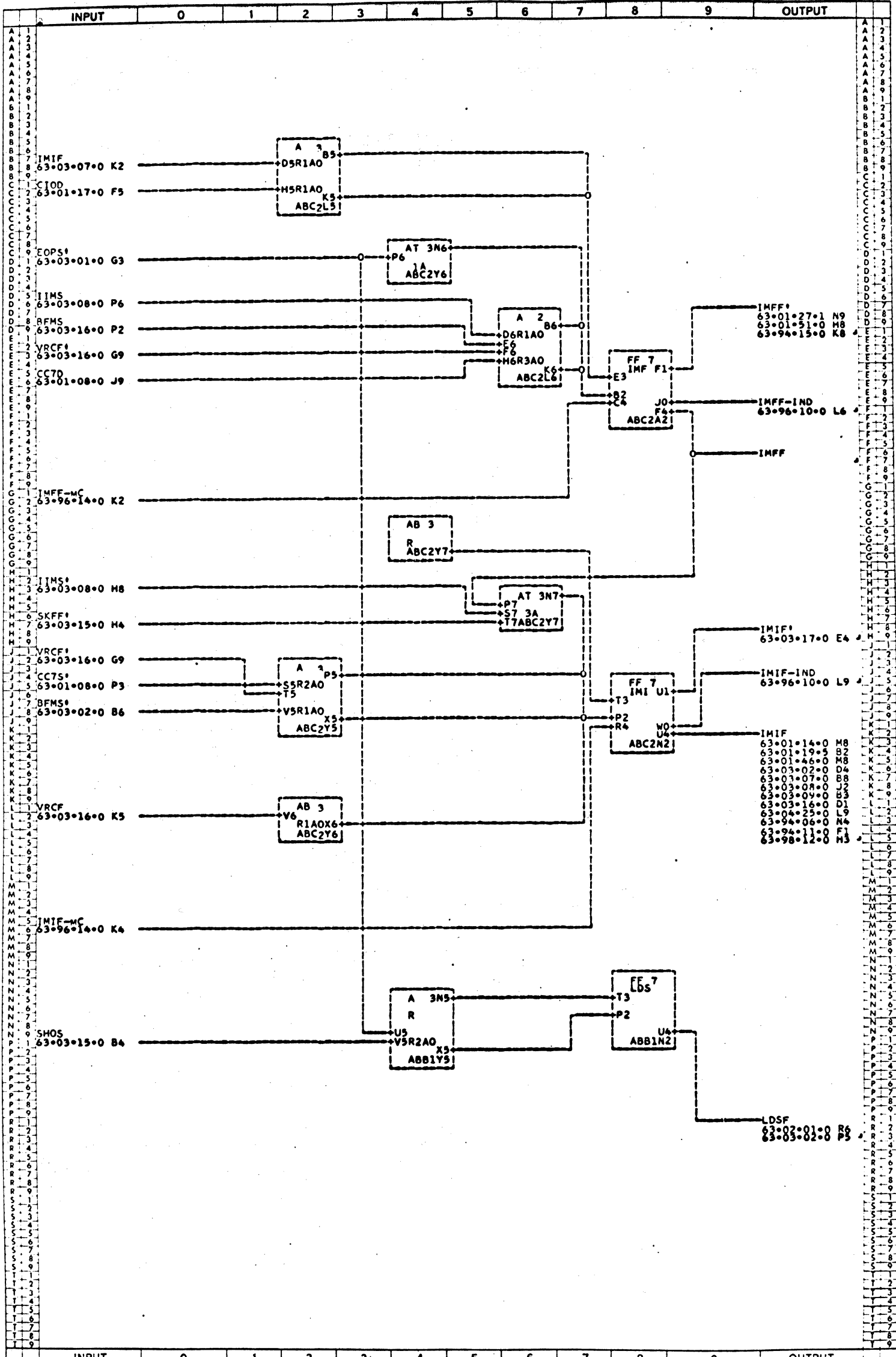


INPUT	0	1	2	3	4	5	6	7	8	9	OUTPUT
U 2	TITLE GENERATE PARITY SWITCHES										U 2
U 4	DRAWN BY R R BUNTON 8-29-61 CHECKED BY SNODGRASS 8-30-61										U 4
U 6	UNIT NAME INPUT-OUTPUT CONTROL UNIT MODEL 3										U 6
U 8	SYSTEM B5500										U 8

Burroughs Corporation
PASADENA CALIFORNIA

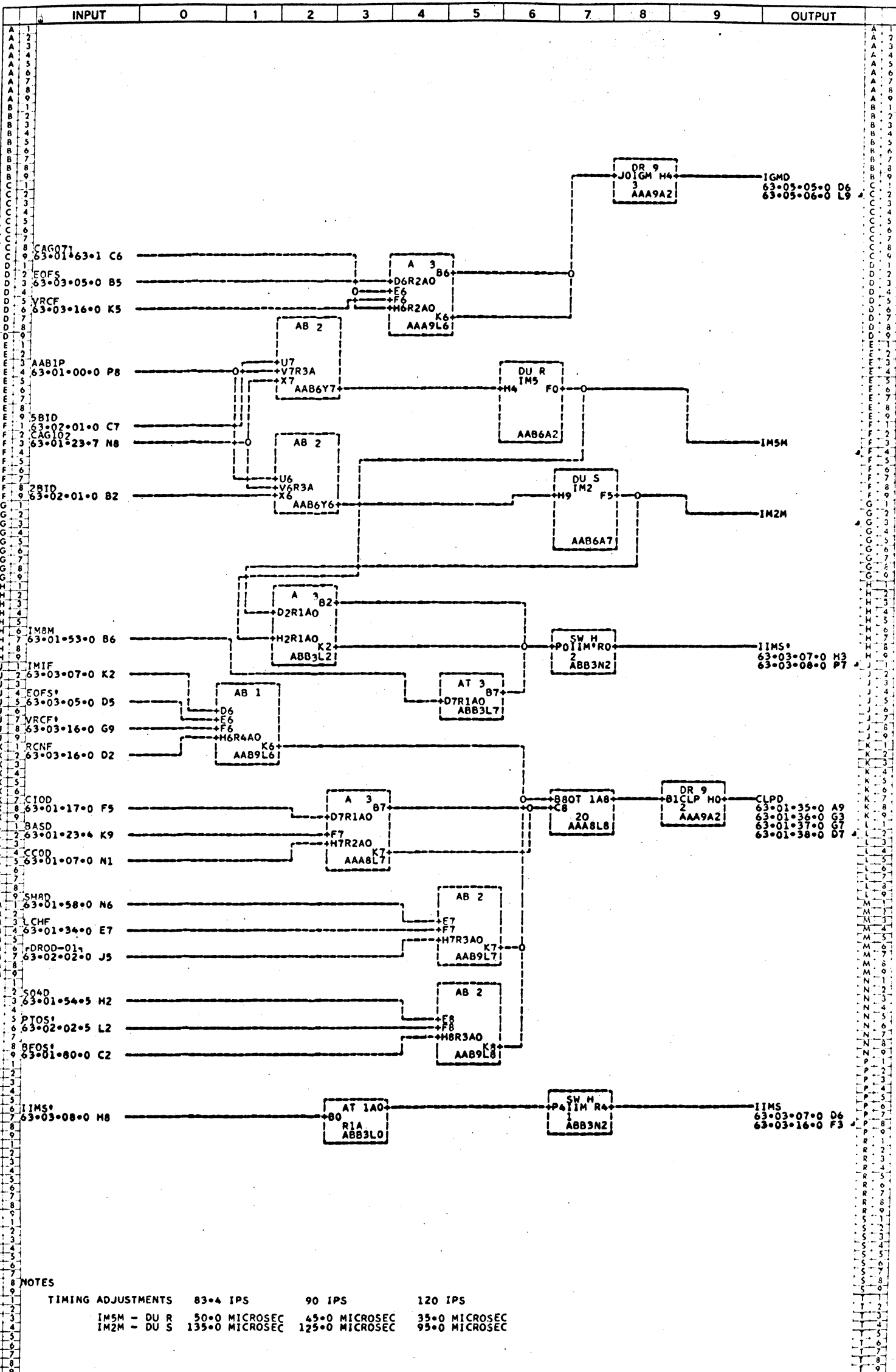
PROPERTY OF BURROUGHS CORPORATION NOT TO BE REPRODUCED, NOR USED FOR MANUFACTURING PURPOSES EXCEPT ON BURROUGHS ORDER OR PRIOR WRITTEN CONSENT

LOGIC SCHEMATIC



U 2	TITLE INFORMATION FF'S IMFF-IMIF-IMIS	M- 11203007A8	ELECTRODATA	Burroughs Corporation	PASADENA CALIFORNIA	U 2
U 4	DRAWN BY C A VIETOR 8-29-61	CHECKED BY SNODGRASS 8-30-61	M & E DIVISION			U 4
U 6	UNIT NAME INPUT-OUTPUT CONTROL UNIT MODEL 3		PROPERTY OF BURROUGHS CORPORATION NOT TO BE REPRODUCED, NOR USED FOR MANUFACTURING PURPOSES, EXCEPT ON BURROUGHS ORDER OR PRIOR WRITTEN CONSENT.			U 6
U 8	SYSTEM B3500	UNIT NO. 16303125	PAGE NO. 63-03-07-0			U 8

LOGIC SCHEMATIC



NOTES

TIMING ADJUSTMENTS	83.4 IPS	90 IPS	120 IPS
IM5M - DU R	50.0 MICROSEC	45.0 MICROSEC	35.0 MICROSEC
IM2M - DU S	135.0 MICROSEC	125.0 MICROSEC	95.0 MICROSEC

INPUT	0	1	2	3	4	5	6	7	8	9	OUTPUT
U 2	TITLE IGMD-IM1M-IM2M-IIMS*										U 2
U 4	DRAWN BY C.A. VIETOR 8-29-61 CHECKED BY SNODGRASS 8-30-61										U 4
U 6	UNIT NAME INPUT-OUTPUT CONTROL UNIT MODEL 3 UNIT NO. 1630125										U 6
U 8	SYSTEM B5900 PAGE NO. 63-03-08-0										U 8

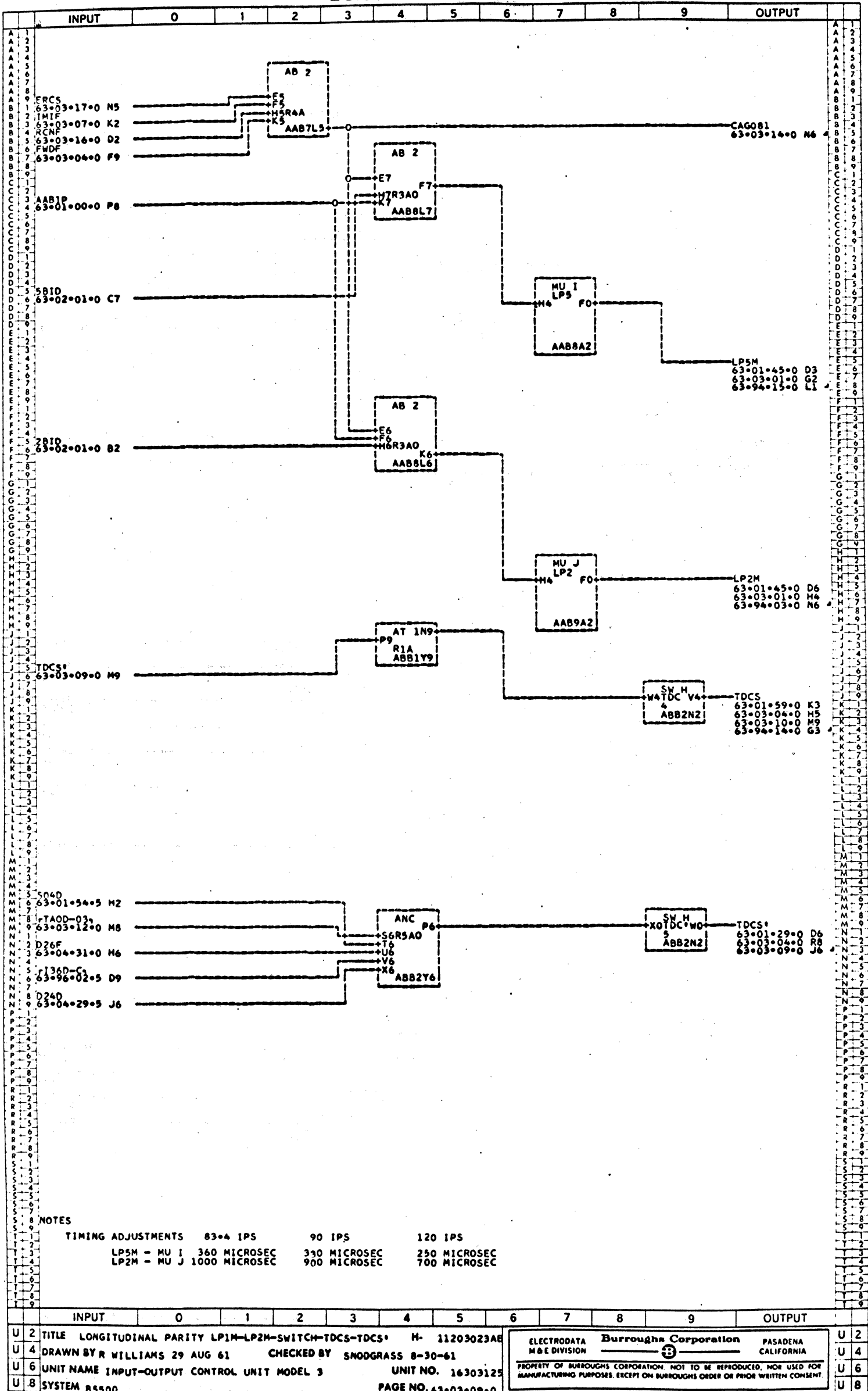
ELECTRODATA
M&E DIVISION

Burroughs Corporation

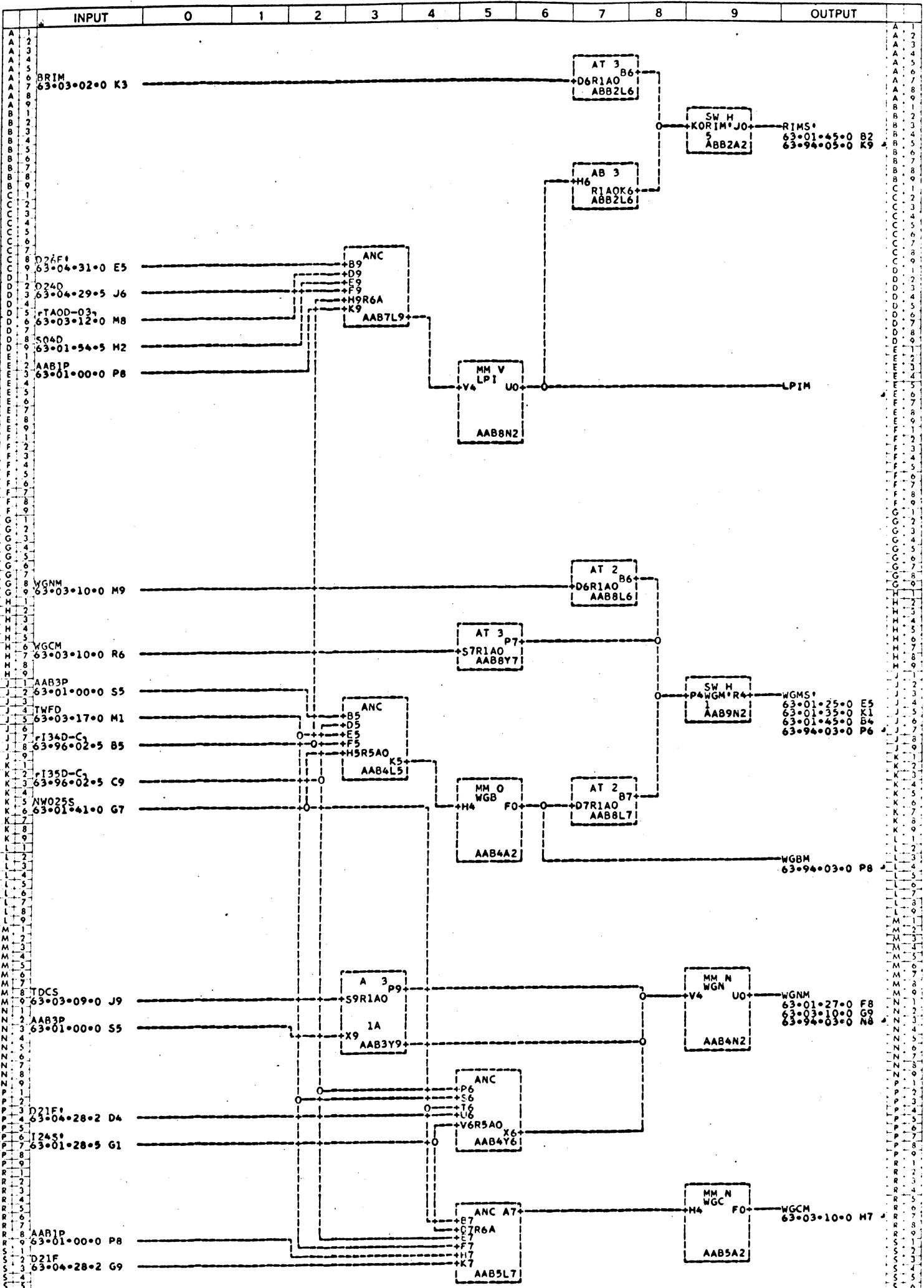
PASADENA CALIFORNIA

PROPERTY OF BURROUGHS CORPORATION. NOT TO BE REPRODUCED, NOR USED FOR MANUFACTURING PURPOSES EXCEPT ON BURROUGHS ORDER OR PRIOR WRITTEN CONSENT

LOGIC SCHEMATIC



LOGIC SCHEMATIC

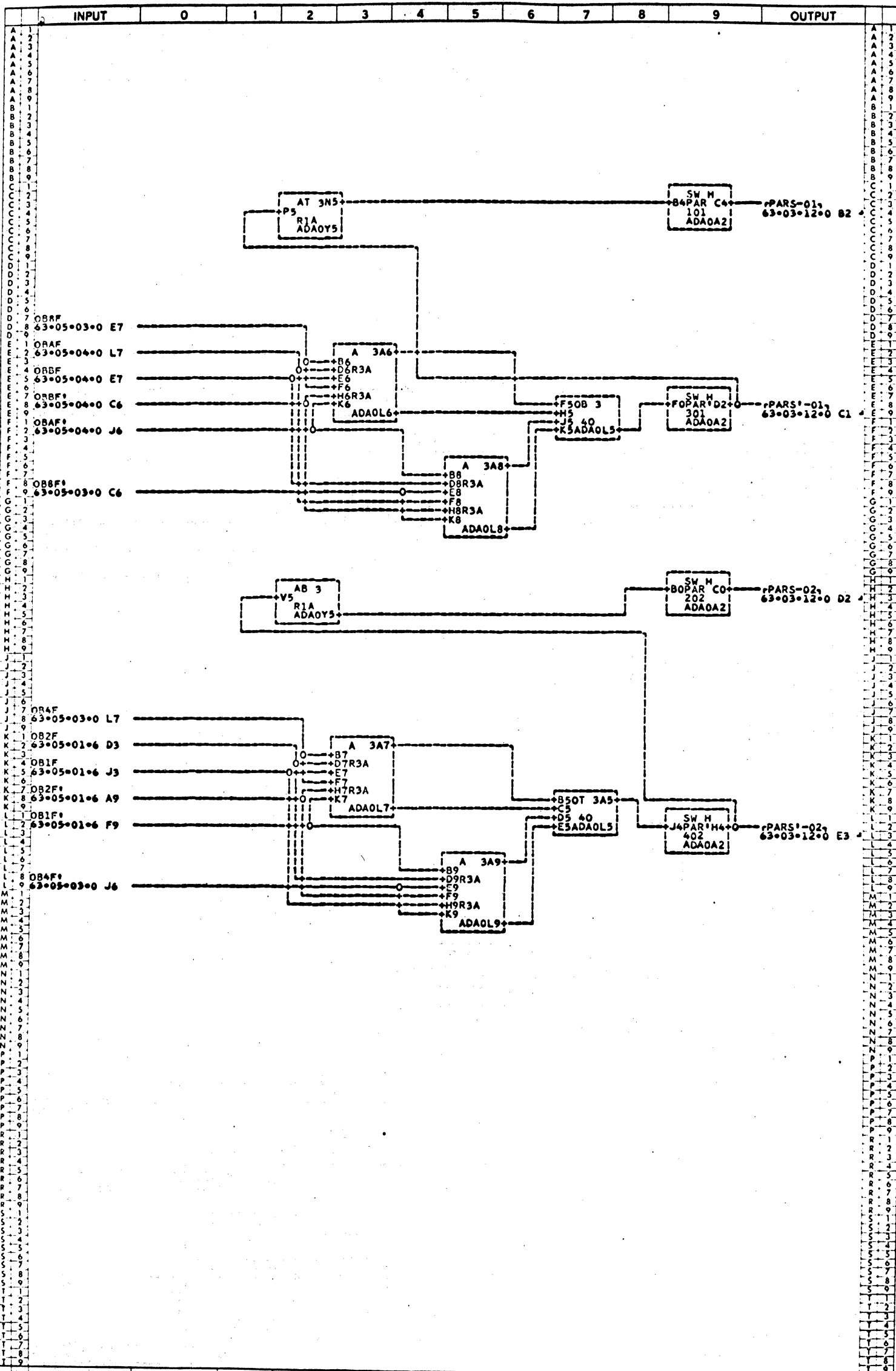


NOTES

TIMING ADJUSTMENTS	83.4 IPS	90 IPS	120 IPS
LPIM - MM V	21.0 MILLISEC	20.0 MILLISEC	15.0 MILLISEC
WGRM - MM O	75.0 MILLISEC	84.0 MILLISEC	52.0 MILLISEC
WGNM - MM N	4.7 MILLISEC	4.7 MILLISEC	4.9 MILLISEC
WGCM - MM N	5.7 MILLISEC	5.1 MILLISEC	5.5 MILLISEC

INPUT	0	1	2	3	4	5	6	7	8	9	OUTPUT	
U 2	TITLE LOAD POINT-READ INHIBIT-WRITE GAP MULTI'S					M- 11203031A8	Burroughs Corporation			PASADENA CALIFORNIA	U 2	
U 4	DRAWN BY R R RUNTON 8-29-61			CHECKED BY SNOGRASS			8-30-61			PROPERTY OF BURROUGHS CORPORATION NOT TO BE REPRODUCED, NOR USED FOR MANUFACTURING PURPOSES, EXCEPT ON BURROUGHS ORDER OR PRIOR WRITTEN CONSENT		U 4
U 6	UNIT NAME INPUT-OUTPUT CONTROL UNIT MODEL 3					UNIT NO. 16303125						U 6
U 8	SYSTEM B5500			PAGE NO. 63-03-10-0								U 8

LOGIC SCHEMATIC

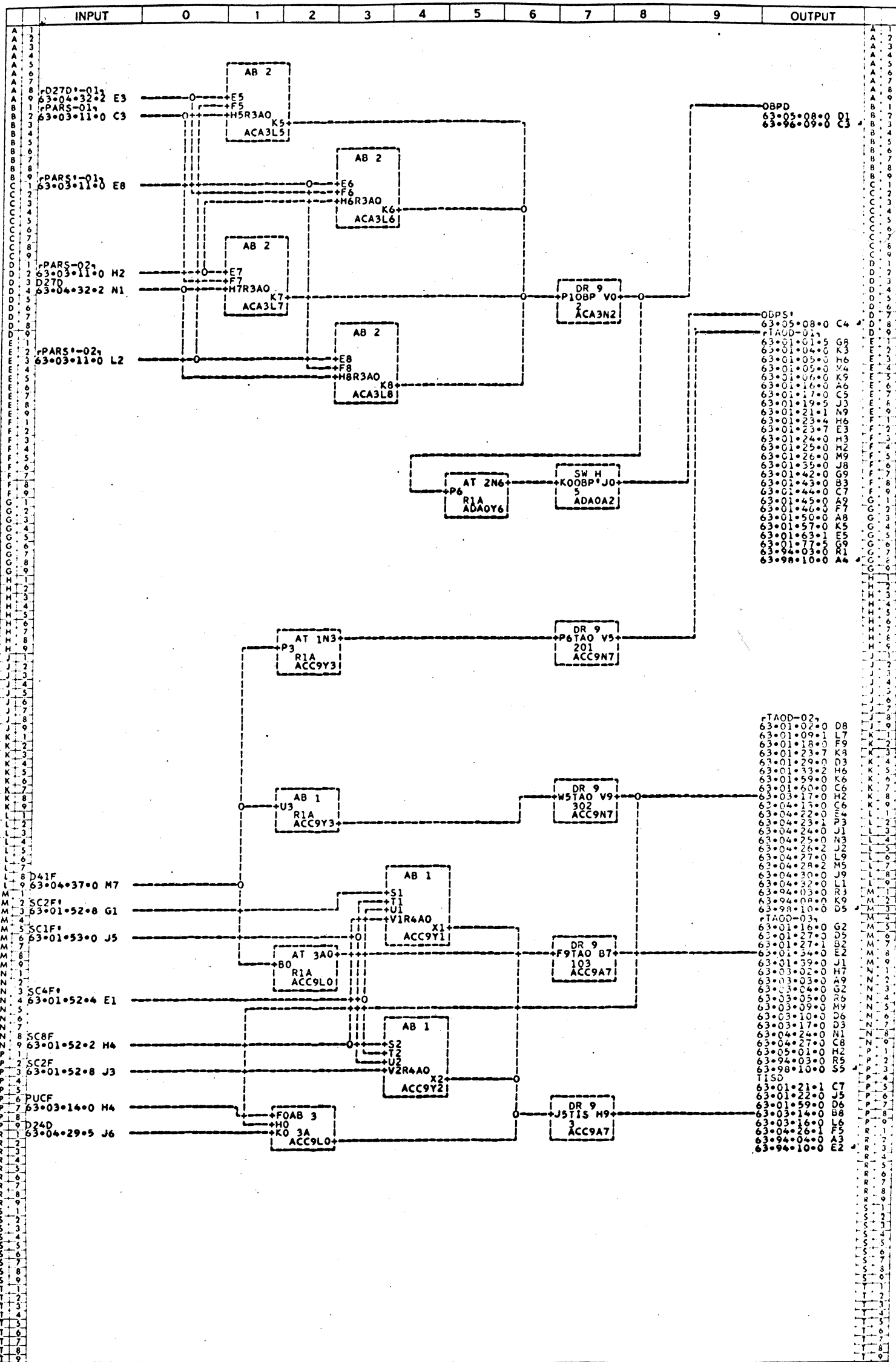


INPUT	0	1	2	3	4	5	6	7	8	9	OUTPUT
U 2	TITLE TAPE PARITY SW'S-01-02-01-02										H- 11203049AA
U 4	DRAWN BY C A VIETOR 8-29-61										CHECKED BY SNODGRASS 8-30-61
U 6	UNIT NAME INPUT-OUTPUT CONTROL UNIT MODEL 3										UNIT NO. 16303125
U 8	SYSTEM B5500										PAGE NO. 63-03-11-0

ELECTRODATA **Burroughs Corporation** PASADENA CALIFORNIA
 M & E DIVISION

PROPERTY OF BURROUGHS CORPORATION NOT TO BE REPRODUCED, NOR USED FOR MANUFACTURING PURPOSES, EXCEPT ON BURROUGHS ORDER OR PRIOR WRITTEN CONSENT

LOGIC SCHEMATIC



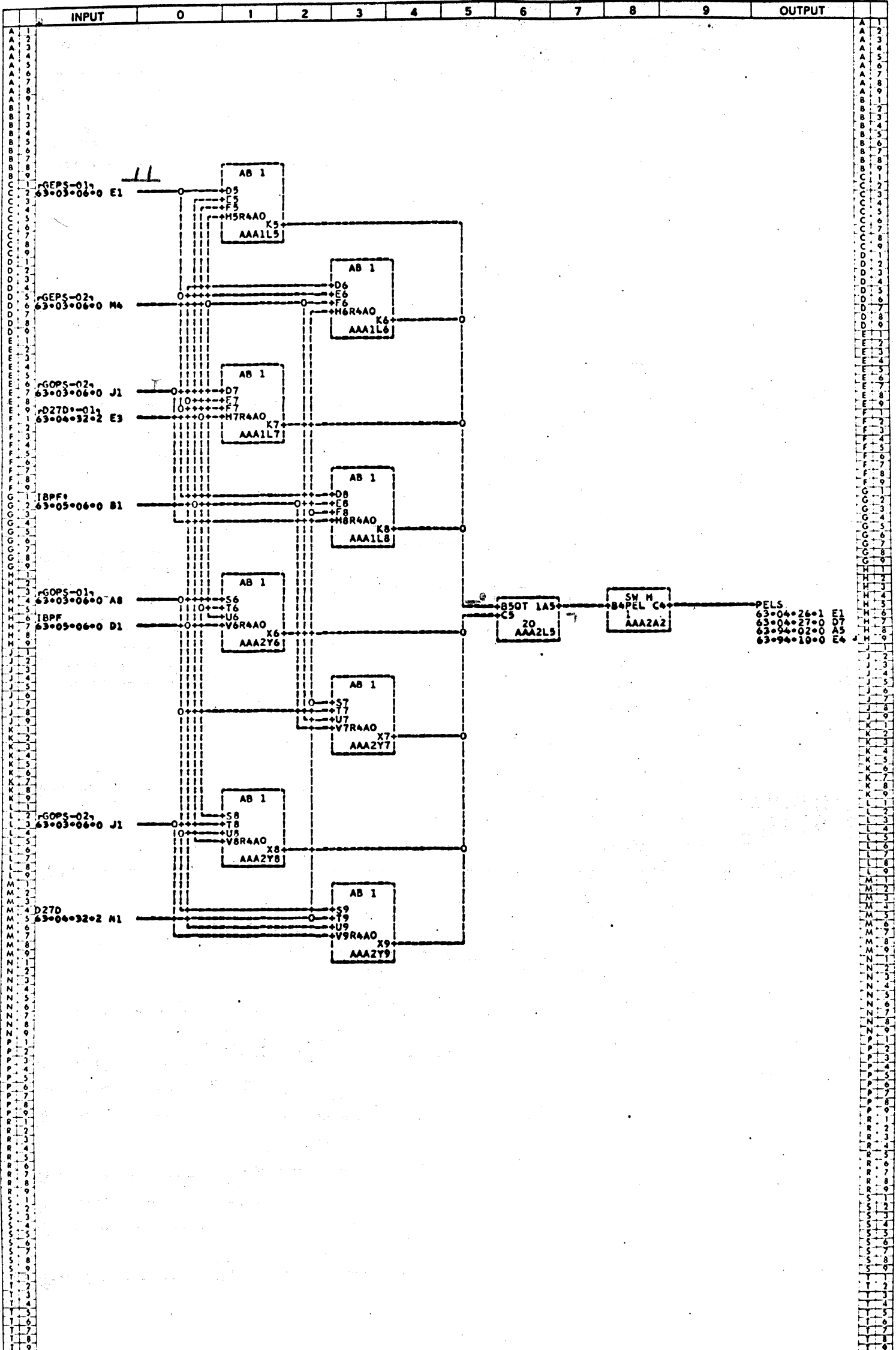
U 2	INPUT	0	1	2	3	4	5	6	7	8	9	OUTPUT	U 2
U 2	TITLE TAPE PARITY AND TAPE OPERATE DRIVERS												U 2
U 4	DRAWN BY ZINES 8-29-61 CHECKED BY SNODGRASS 8-30-61												U 4
U 6	UNIT NAME INPUT-OUTPUT CONTROL UNIT MODEL 3												U 6
U 8	SYSTEM B5500												U 8

Burroughs Corporation

ELECTRODATA M & E DIVISION PASADENA CALIFORNIA

PROPERTY OF BURROUGHS CORPORATION NOT TO BE REPRODUCED, NOR USED FOR MANUFACTURING PURPOSES, EXCEPT ON BURROUGHS ORDER OR PRIOR WRITTEN CONSENT

LOGIC SCHEMATIC



INPUT	0	1	2	3	4	5	6	7	8	9	OUTPUT
U 2	TITLE TAPE PARITY ERROR LEVEL SWITCH										U 2
U 4	DRAWN BY ZINES										U 4
U 6	UNIT NAME INPUT-OUTPUT CONTROL UNIT MODEL 3										U 6
U 8	SYSTEM 8590										U 8

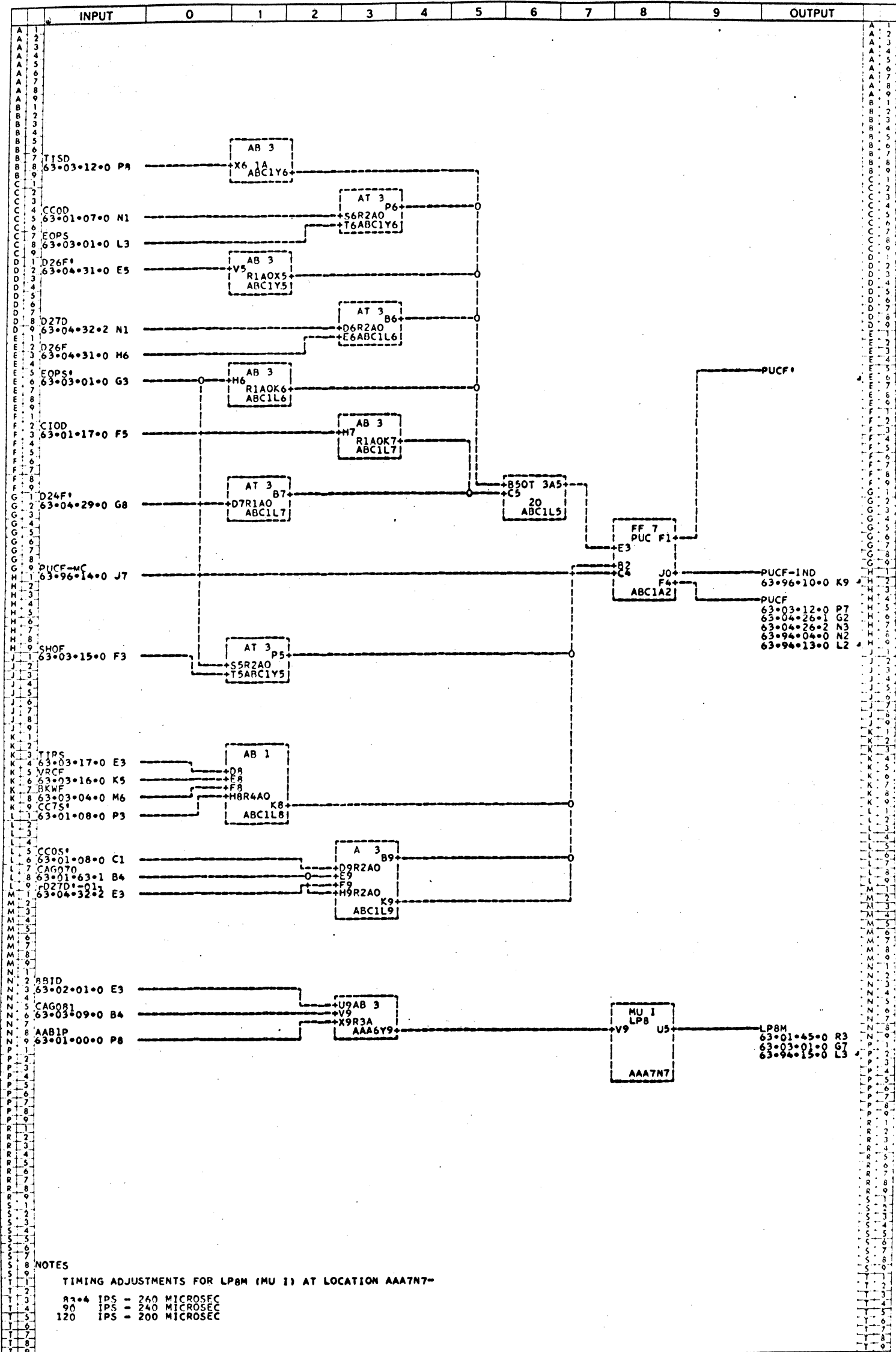
H- 11203064AA
 8-28-61 CHECKED BY SNODGRASS 8-30-61
 UNIT NO. 16303125
 PAGE NO. 63-03-13-0

ELECTRODATA
 M&E DIVISION

Burroughs Corporation
 PASADENA
 CALIFORNIA

PROPERTY OF BURROUGHS CORPORATION. NOT TO BE REPRODUCED, NOR USED FOR MANUFACTURING PURPOSES EXCEPT ON BURROUGHS ORDER OR PRIOR WRITTEN CONSENT

LOGIC SCHEMATIC

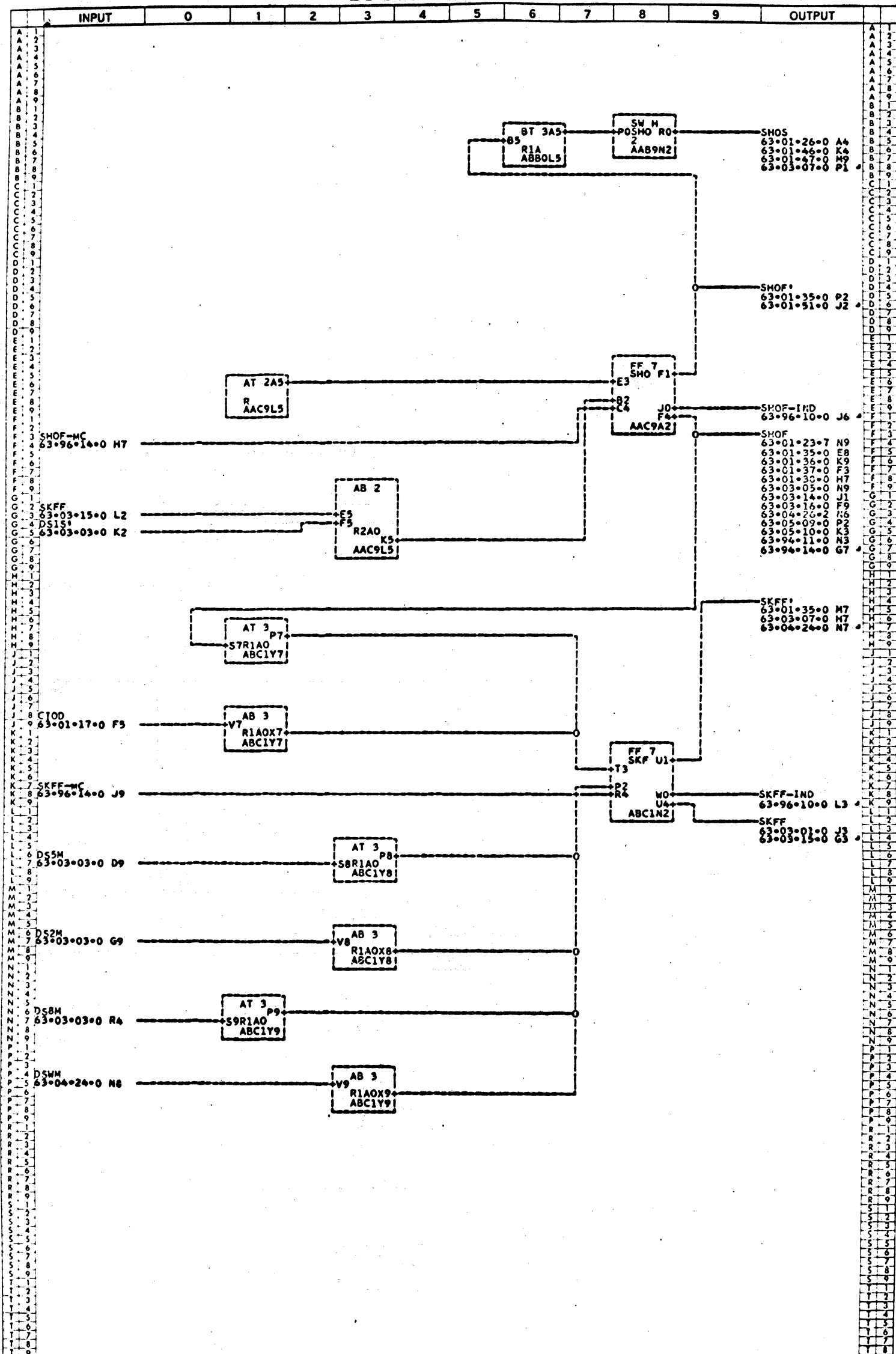


INPUT	0	1	2	3	4	5	6	7	8	9	OUTPUT
U 2	TITLE PILE UP CONTROL FF-PUCF										U 2
U 4	DRAWN BY ZINES 8-28-61 CHECKED BY SNOGRASS 8-30-61										U 4
U 6	UNIT NAME INPUT-OUTPUT CONTROL UNIT MODEL 3 UNIT NO. 16303125										U 6
U 8	SYSTEM B5500 PAGE NO. 63-03-14-0										U 8

ELECTRODATA **Burroughs Corporation** PASADENA CALIFORNIA

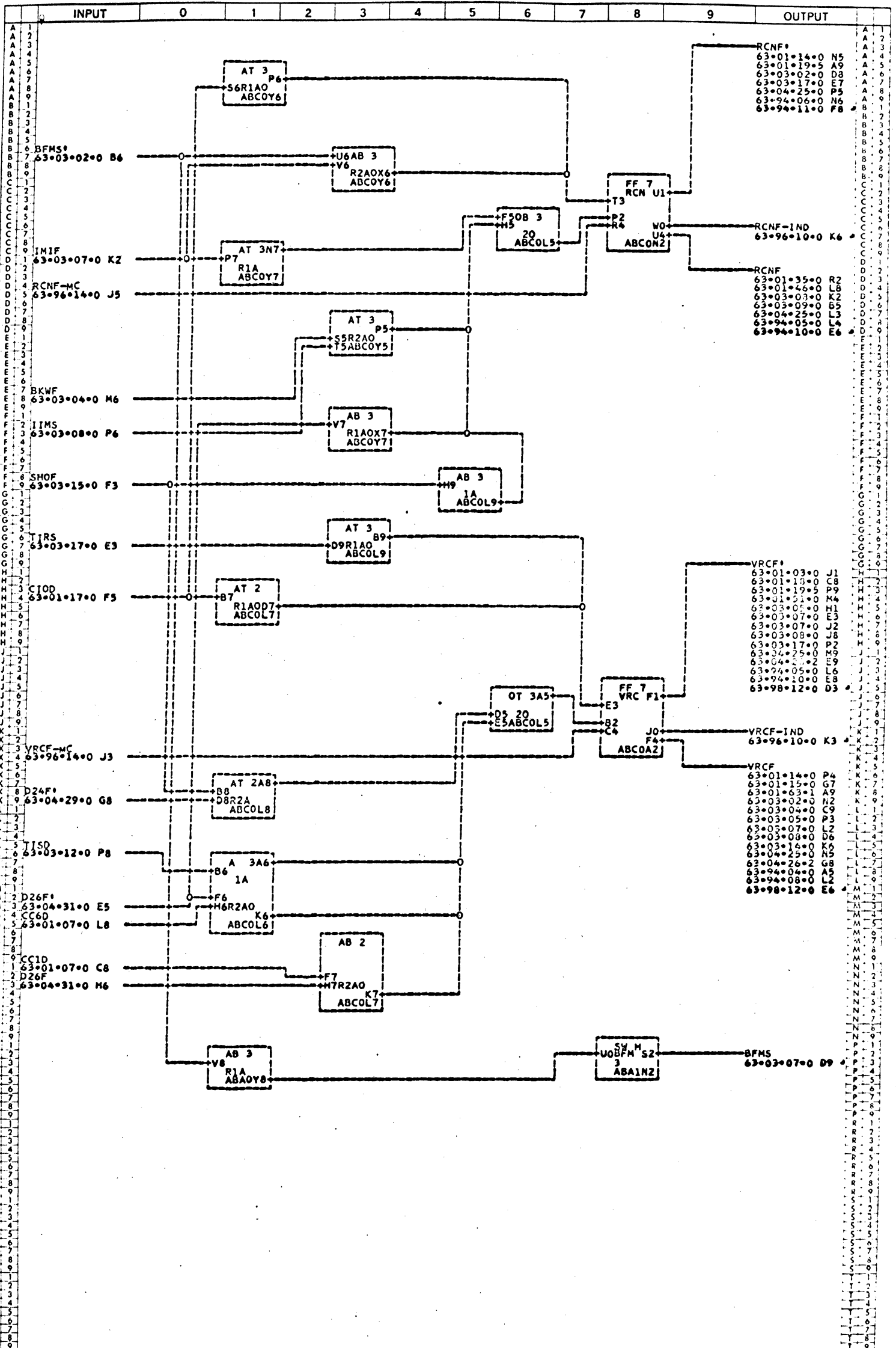
PROPERTY OF BURROUGHS CORPORATION NOT TO BE REPRODUCED, NOR USED FOR MANUFACTURING PURPOSES EXCEPT ON BURROUGHS ORDER OR PRIOR WRITTEN CONSENT

LOGIC SCHEMATIC



INPUT	0	1	2	3	4	5	6	7	8	9	OUTPUT
U 2	TITLE TAPE SKEW FF'S SHOF-SKFF										U 2
U 4	DRAWN BY ZINES 8-29-61 CHECKED BY SNOODGRASS 8-30-61										U 4
U 6	UNIT NAME INPUT-OUTPUT CONTROL UNIT MODEL 3										U 6
U 8	SYSTEM B5500										U 8

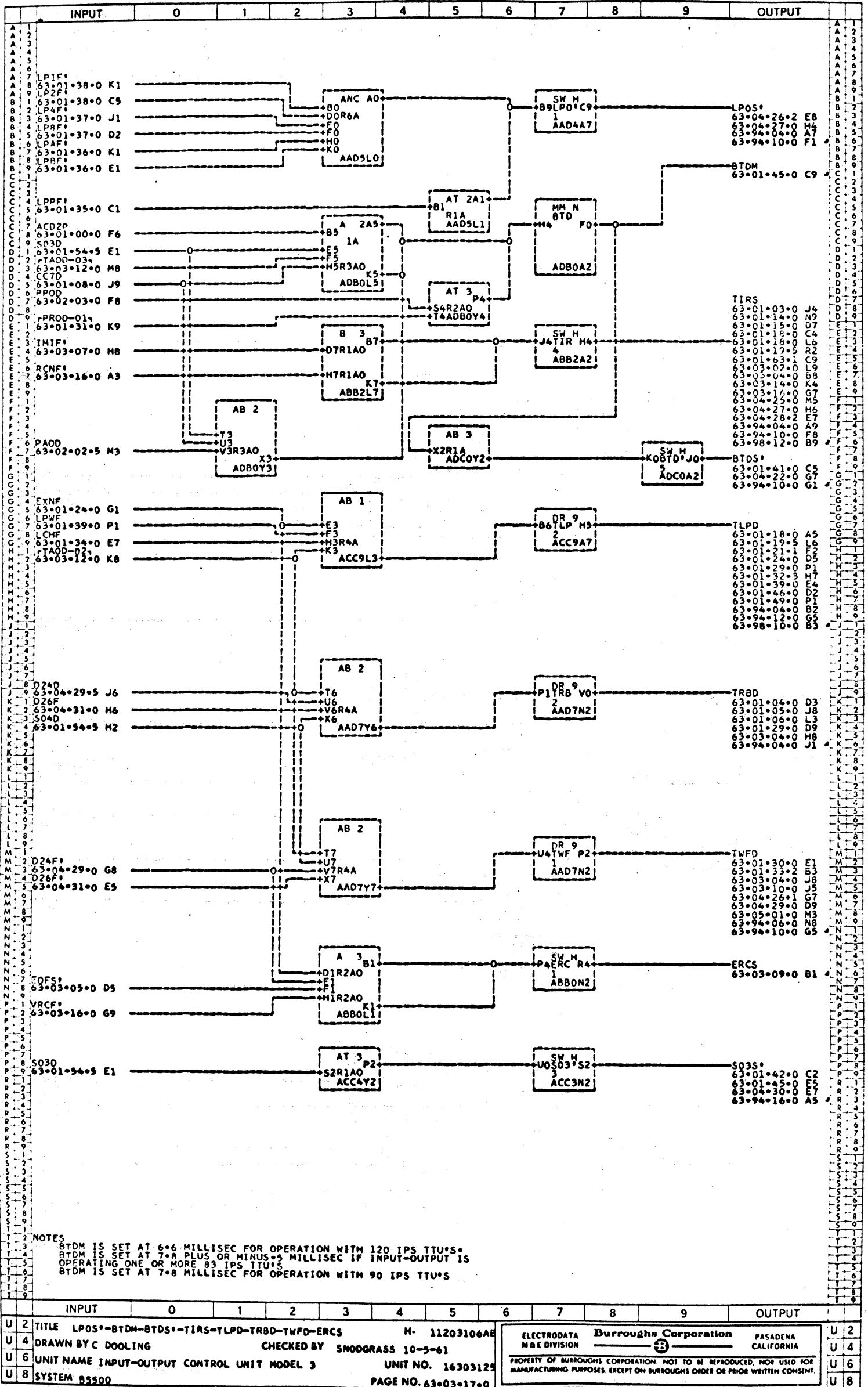
LOGIC SCHEMATIC



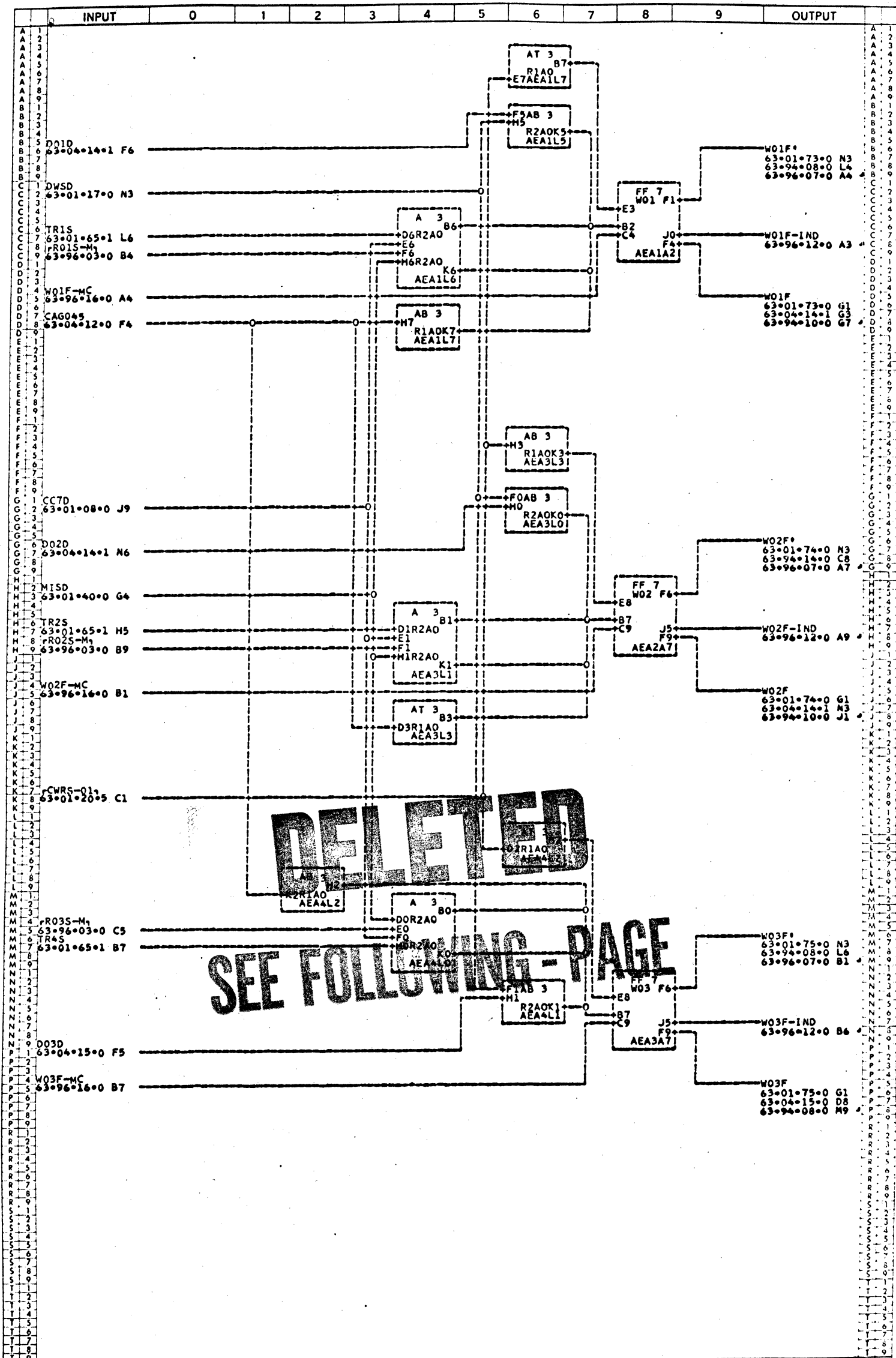
INPUT	0	1	2	3	4	5	6	7	8	9	OUTPUT
U 2	TITLE RECORD CONTROL AND VALID RECORD FF'S RCNF-VRCF H- 11203098AA										U 2
U 4	DRAWN BY ZINES 8-29-61 CHECKED BY F SNODGRASS										U 4
U 6	UNIT NAME INPUT-OUTPUT CONTROL UNIT MODEL 3 UNIT NO. 16303125										U 6
U 8	SYSTEM B5500 PAGE NO. 63-03-16-0										U 8

ELECTRODATA **Burroughs Corporation** PASADENA CALIFORNIA
M&E DIVISION
PROPERTY OF BURROUGHS CORPORATION NOT TO BE REPRODUCED, NOR USED FOR MANUFACTURING PURPOSES, EXCEPT ON BURROUGHS ORDER OR PRIOR WRITTEN CONSENT

LOGIC SCHEMATIC



LOGIC SCHEMATIC



DELETED

SEE FOLLOWING PAGE

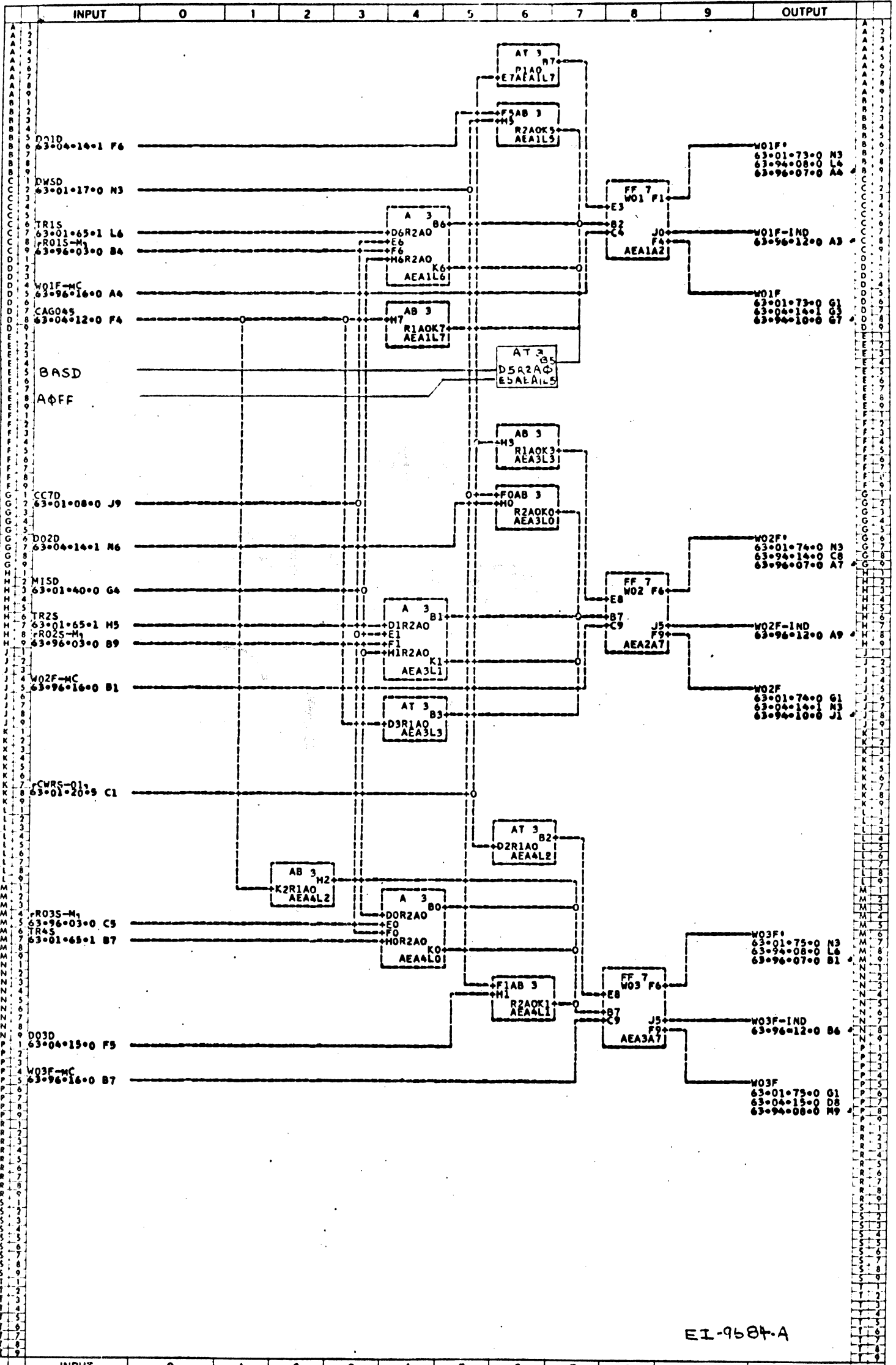
INPUT	0	1	2	3	4	5	6	7	8	9	OUTPUT
U 2	TITLE W REGISTER FF'S W01F-W02F-W03F										U 2
U 4	DRAWN BY R BUNTON 8-14-61 CHECKED BY SNOODGRASS 8-17-61										U 4
U 6	UNIT NAME INPUT-OUTPUT CONTROL UNIT MODEL 3 UNIT NO. 16303125										U 6
U 8	SYSTEM B5500 PAGE NO. 63*04*01*0										U 8

ELECTRODATA **Burroughs Corporation** PASADENA CALIFORNIA

M & E DIVISION

PROPERTY OF BURROUGHS CORPORATION NOT TO BE REPRODUCED, NOR USED FOR MANUFACTURING PURPOSES, EXCEPT ON BURROUGHS ORDER OR PRIOR WRITTEN CONSENT

LOGIC SCHEMATIC



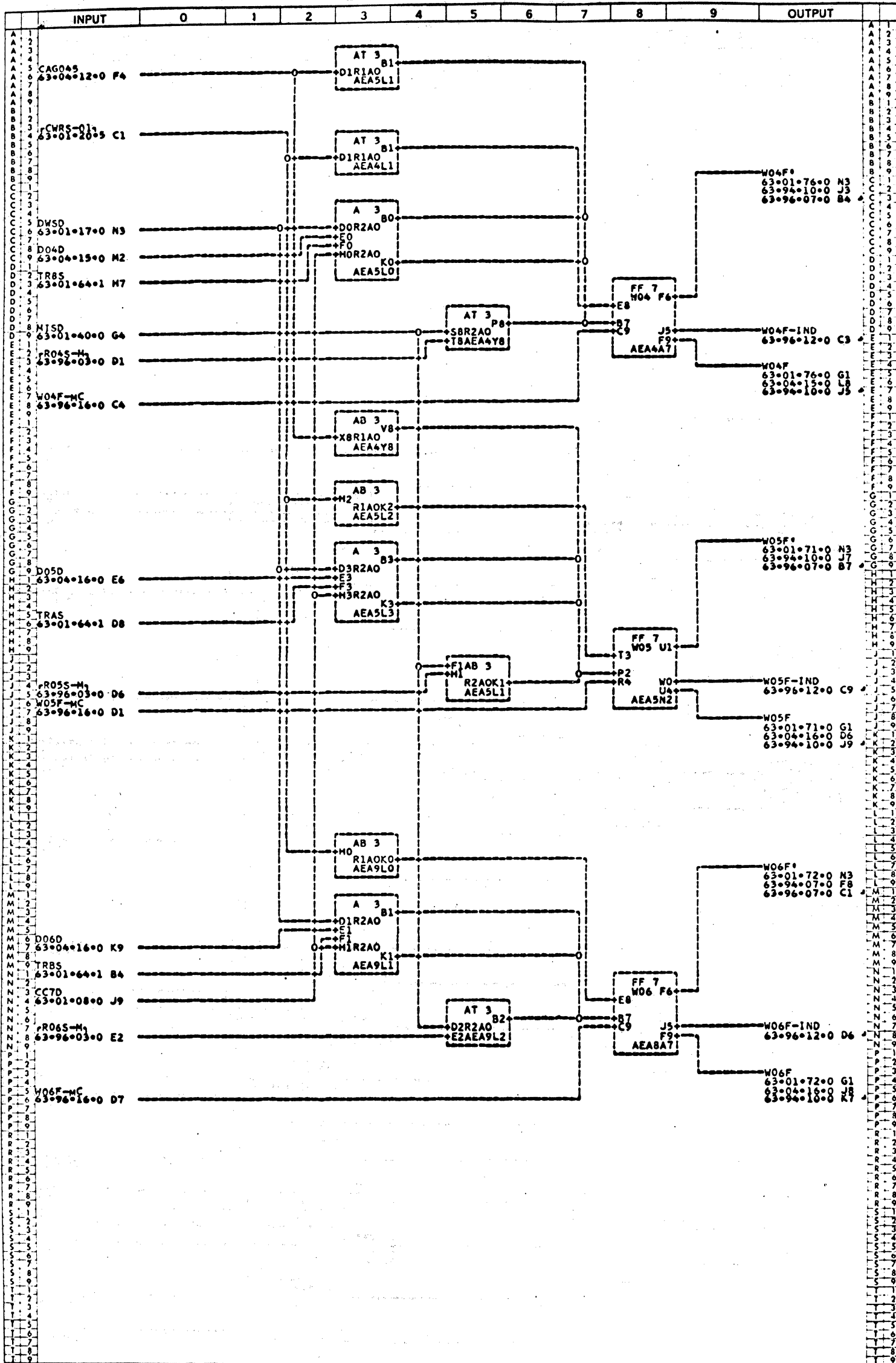
EI-9684-A

U	INPUT	0	1	2	3	4	5	6	7	8	9	OUTPUT	U
2	TITLE W REGISTER FF'S W01F-W02F-W03F												2
4	DRAWN BY R R BUNTON												4
6	UNIT NAME INPUT-OUTPUT CONTROL UNIT MODEL 3												6
8	SYSTEM 83500												8

ELECTRODATA M&E DIVISION **Burroughs Corporation** PASADENA CALIFORNIA

PROPERTY OF BURROUGHS CORPORATION. NOT TO BE REPRODUCED, NOR USED FOR MANUFACTURING PURPOSES, EXCEPT ON BURROUGHS ORDER OR PRIOR WRITTEN CONSENT.

LOGIC SCHEMATIC

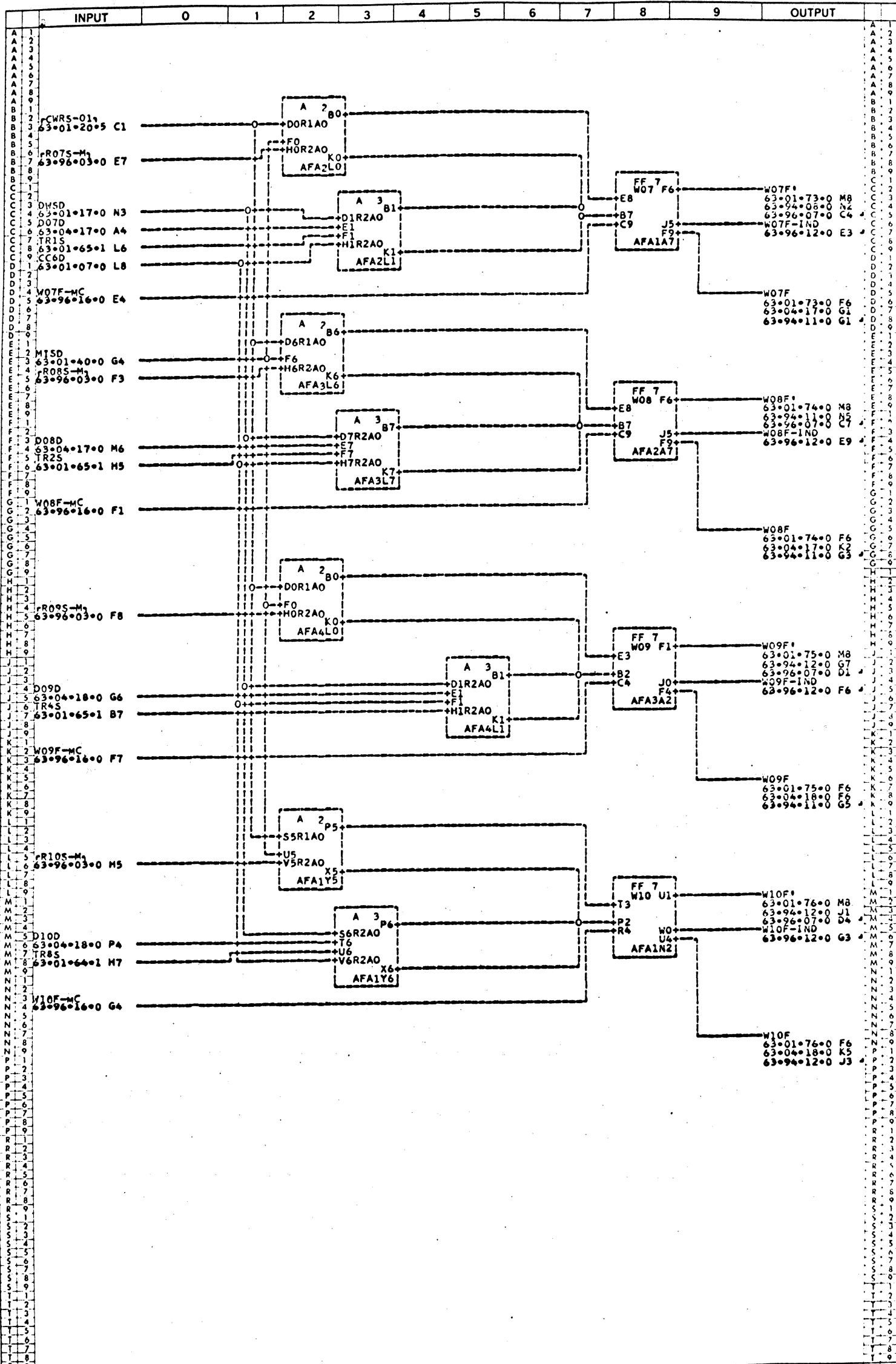


	INPUT	0	1	2	3	4	5	6	7	8	9	OUTPUT	
U 2	TITLE W REGISTER FF'S W04F-W05F-W06F												U 2
U 4	DRAWN BY R J MILLER 8-16-61 CHECKED BY SNODGRASS JM2 8-17-61												U 4
U 6	UNIT NAME INPUT-OUTPUT CONTROL UNIT MODEL 3												U 6
U 8	SYSTEM B5200												U 8

ELECTRODATA **Burroughs Corporation** PASADENA CALIFORNIA
 M & E DIVISION

PROPERTY OF BURROUGHS CORPORATION. NOT TO BE REPRODUCED, NOR USED FOR MANUFACTURING PURPOSES, EXCEPT ON BURROUGHS ORDER OR PRIOR WRITTEN CONSENT.

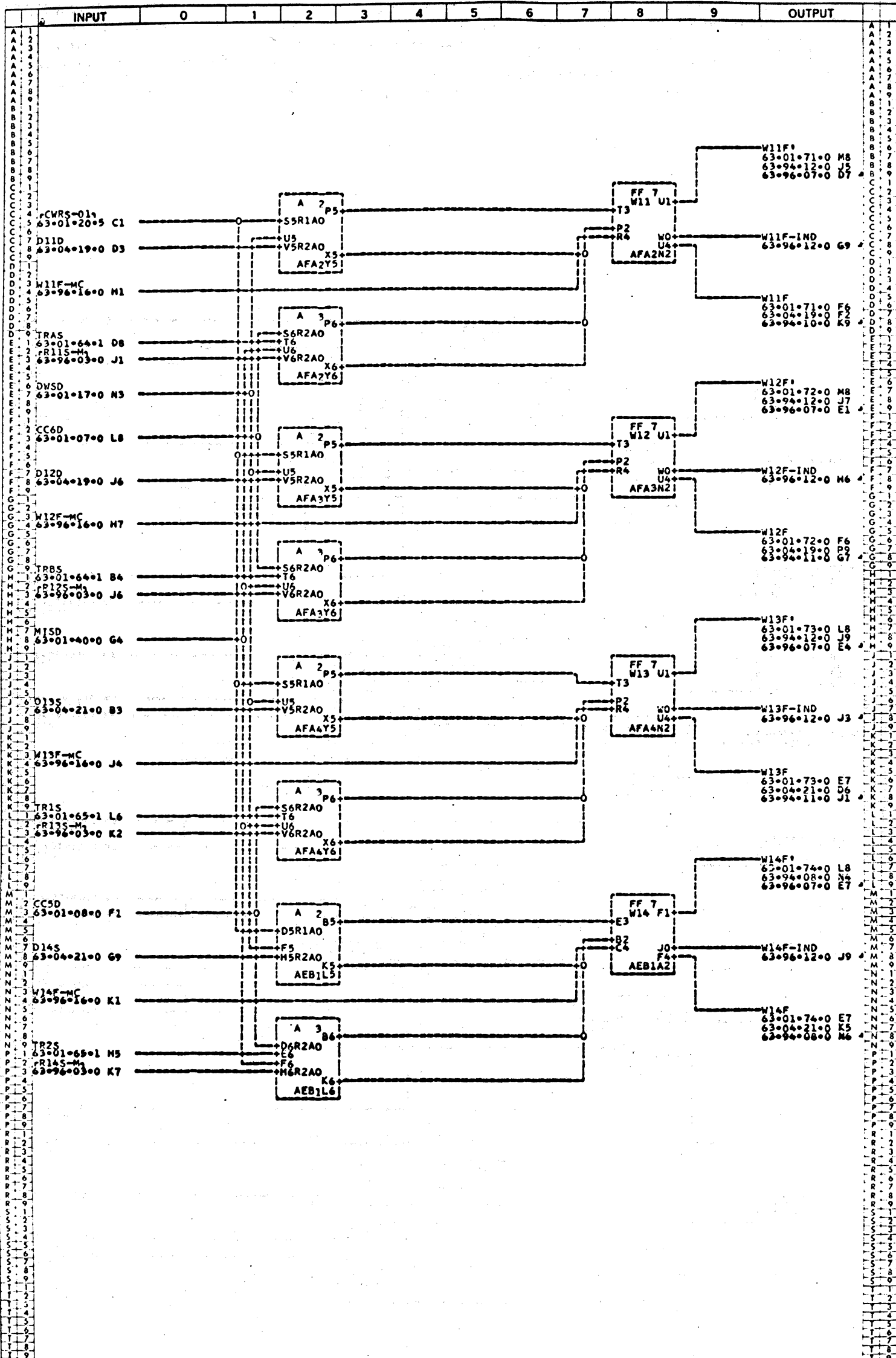
LOGIC SCHEMATIC



INPUT	0	1	2	3	4	5	6	7	8	9	OUTPUT
U 2	TITLE W REGISTER FF'S W07F-W08F-W09F-W10F										U 2
U 4	DRAWN BY R WILLIAMS 14 AUG 61 CHECKED BY SNODGRASS 8-17-61										U 4
U 6	UNIT NAME INPUT-OUTPUT CONTROL UNIT MODEL 3										U 6
U 8	SYSTEM B3500										U 8

ELECTRODATA **Burroughs Corporation** PASADENA CALIFORNIA
 M&E DIVISION
PROPERTY OF BURROUGHS CORPORATION NOT TO BE REPRODUCED, NOR USED FOR MANUFACTURING PURPOSES, EXCEPT ON BURROUGHS ORDER OR PRIOR WRITTEN CONSENT

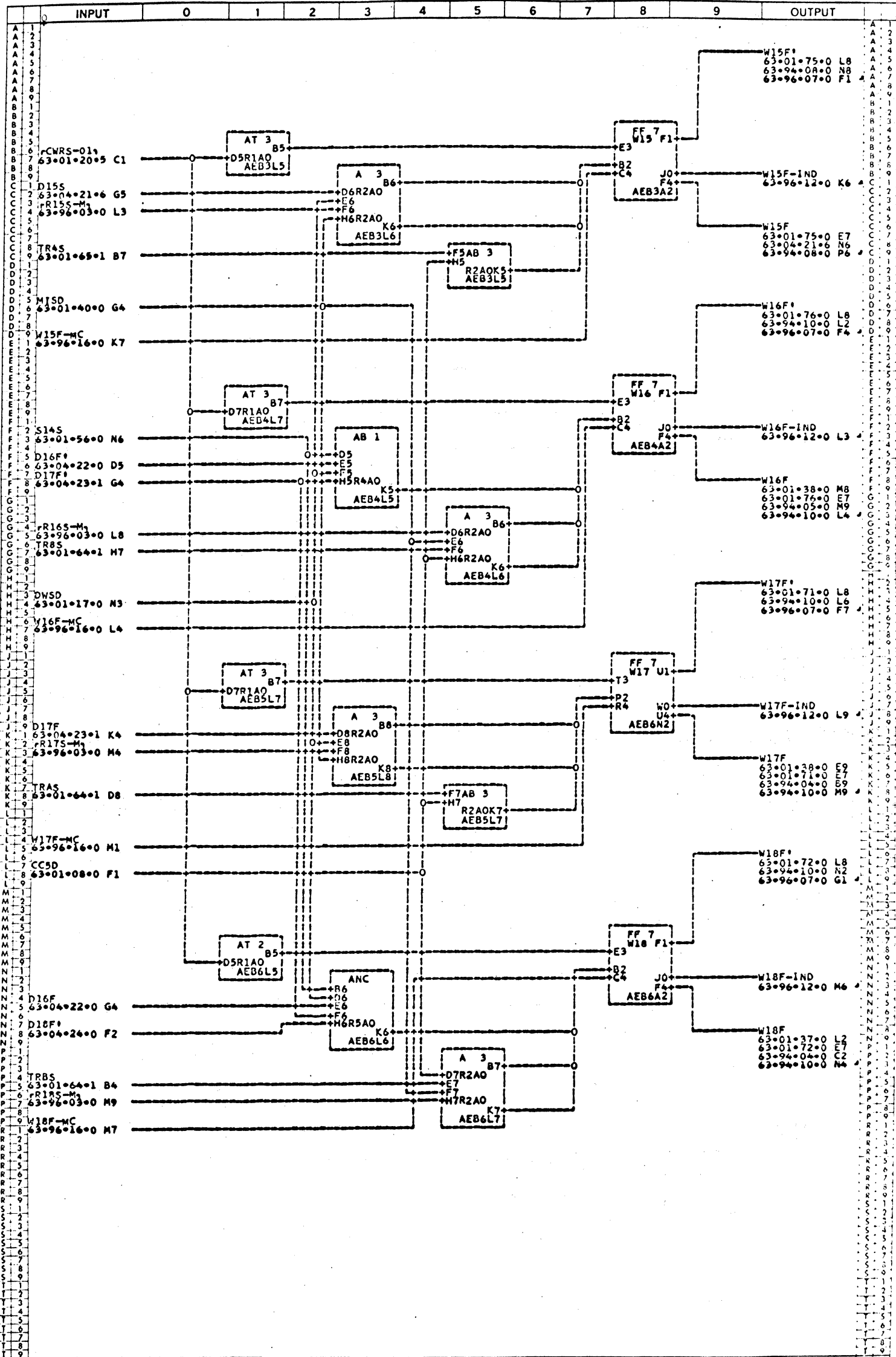
LOGIC SCHEMATIC



INPUT	0	1	2	3	4	5	6	7	8	9	OUTPUT
U 2	TITLE W REGISTER FF'S W11F-W12F-W13F-W14F										U 2
U 4	DRAWN BY N MOGLE CHECKED BY SNOODGRASS JMZ 8-17-61										U 4
U 6	UNIT NAME INPUT-OUTPUT CONTROL UNIT MODEL 3										U 6
U 8	SYSTEM B5500										U 8

Burroughs Corporation
 PASADENA CALIFORNIA
 ELECTRODATA M&E DIVISION
 PROPERTY OF BURROUGHS CORPORATION NOT TO BE REPRODUCED, NOR USED FOR MANUFACTURING PURPOSES, EXCEPT ON BURROUGHS ORDER OR PRIOR WRITTEN CONSENT.

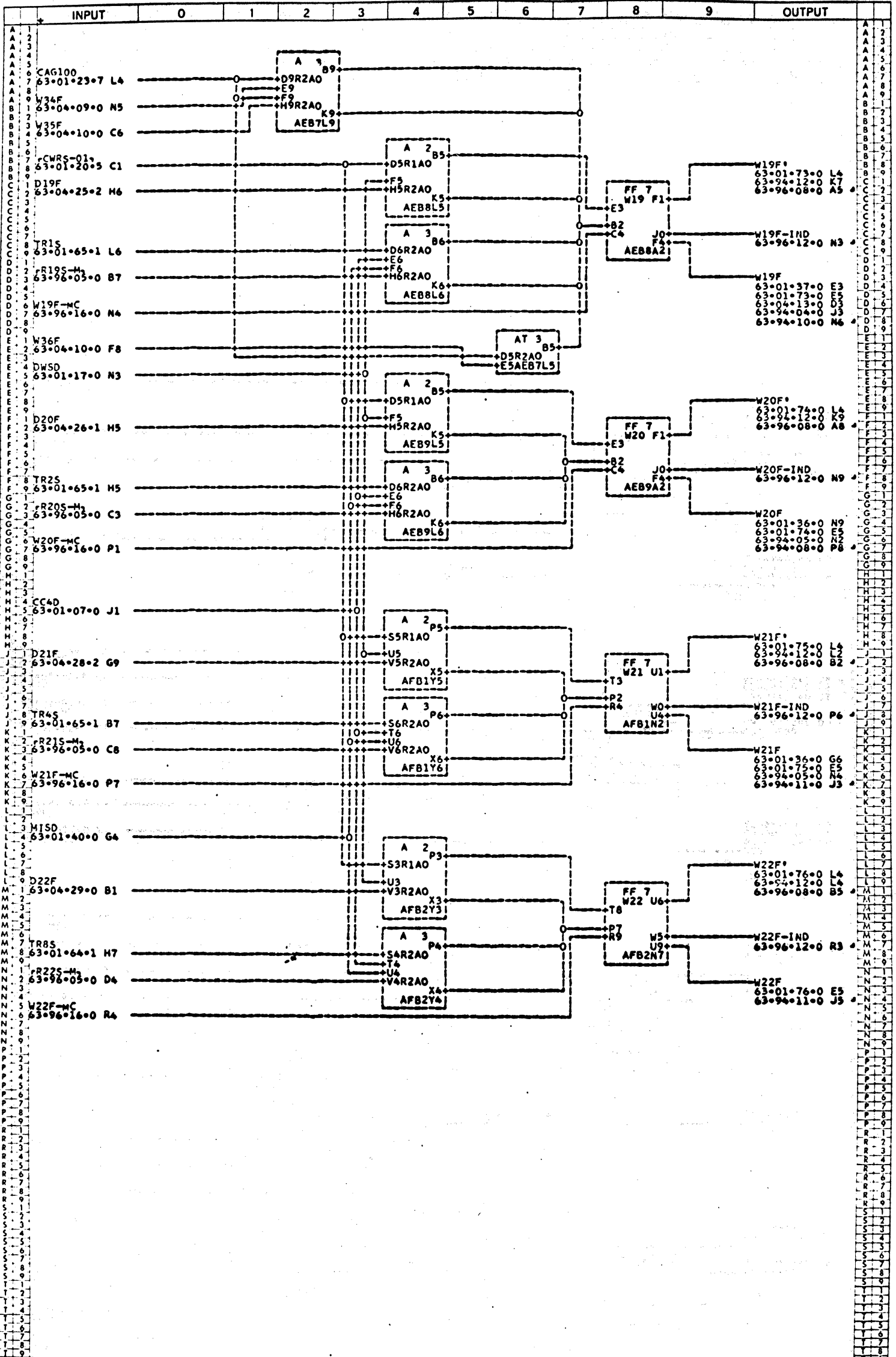
LOGIC SCHEMATIC



U	INPUT	0	1	2	3	4	5	6	7	8	9	OUTPUT	U
2	TITLE	W REGISTER FF'S W15F-W16F-W17F-W18F										2	
4	DRAWN BY	ZINES										4	
6	UNIT NAME	INPUT-OUTPUT CONTROL UNIT MODEL 3										6	
8	SYSTEM	B5500										8	

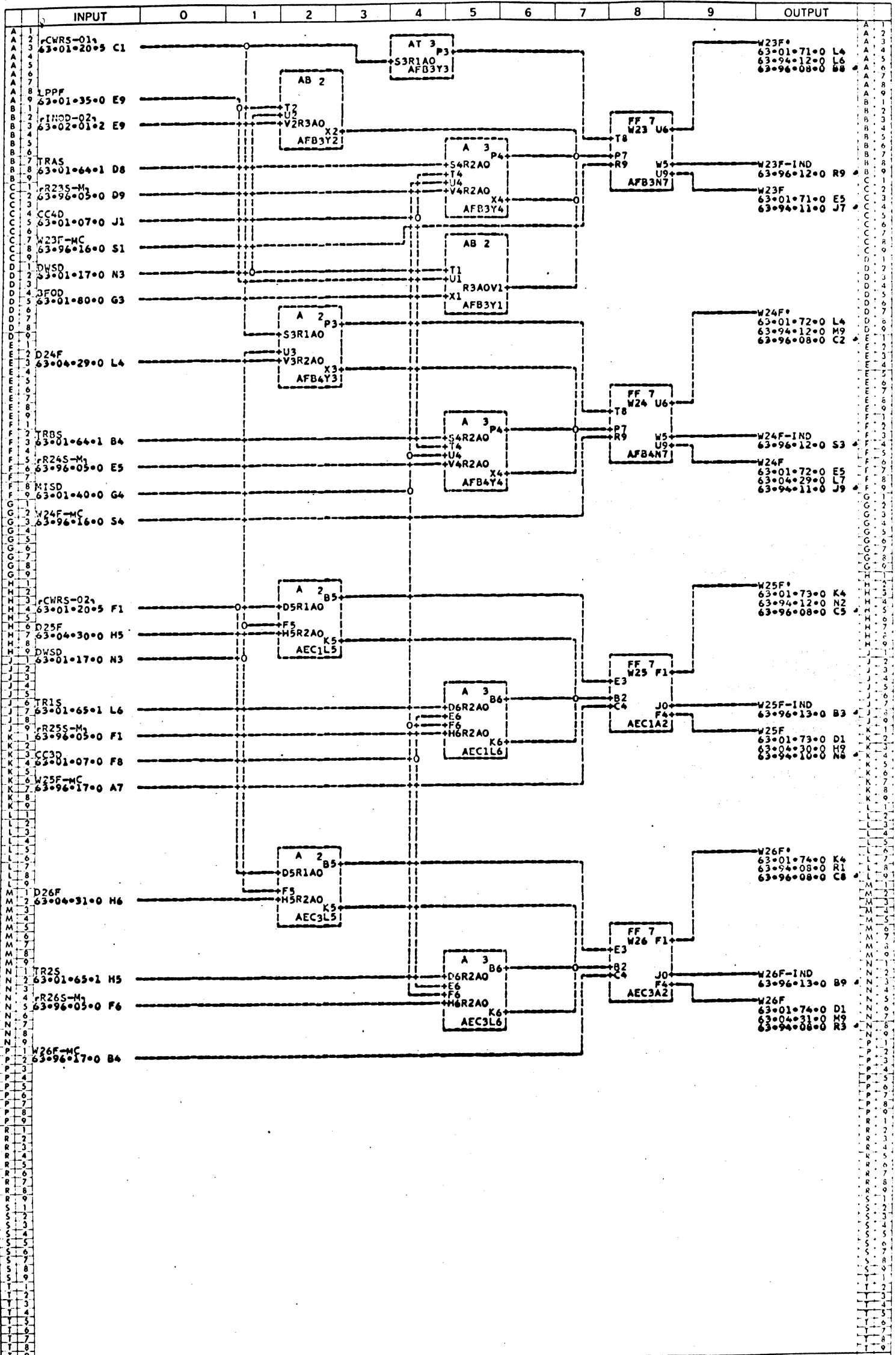
Burroughs Corporation
 ELECTRODATA M&E DIVISION PASADENA CALIFORNIA
 PROPERTY OF BURROUGHS CORPORATION NOT TO BE REPRODUCED, NOR USED FOR MANUFACTURING PURPOSES, EXCEPT ON BURROUGHS ORDER OR PRIOR WRITTEN CONSENT

LOGIC SCHEMATIC



INPUT	0	1	2	3	4	5	6	7	8	9	OUTPUT
U 2	TITLE W REGISTER FF'S W19F-W20F-W21F-W22F										U 2
U 4	DRAWN BY R BUNTON 8-14-61 CHECKED BY SNOODGRASS JMJ 8-17-61										U 4
U 6	UNIT NAME INPUT-OUTPUT CONTROL UNIT MODEL 3										U 6
U 8	SYSTEM B5500										U 8

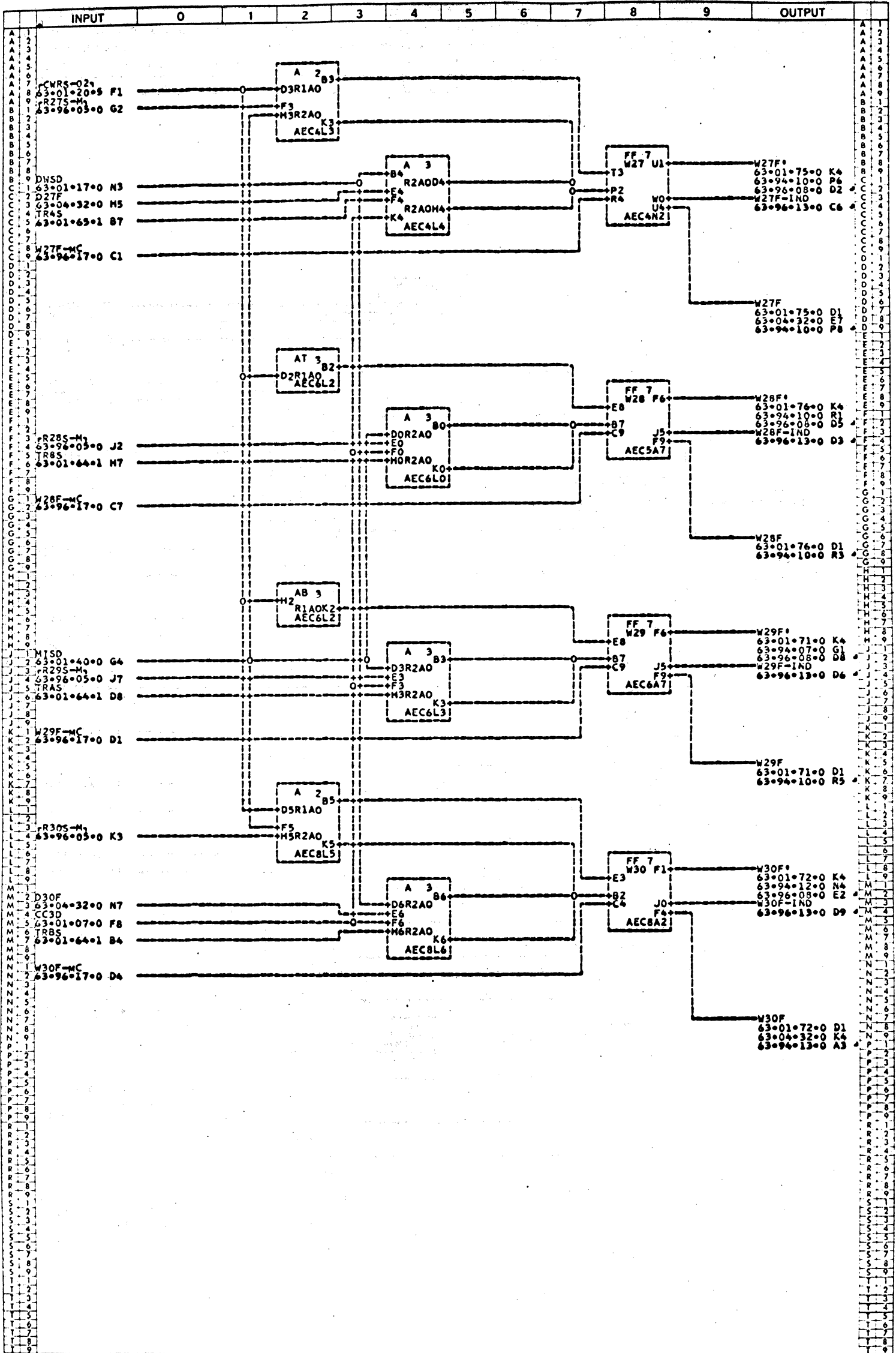
LOGIC SCHEMATIC



	INPUT	0	1	2	3	4	5	6	7	8	9	OUTPUT		
U 2	TITLE	W REGISTER FF'S W23F-W24F-W25F-W26F										M- 11203171AA	U 2	
U 4	DRAWN BY	R J MILLER										8-16-61 CHECKED BY	F R SNODGRASS 8-17-61	U 4
U 6	UNIT NAME	INPUT-OUTPUT CONTROL UNIT MODEL 3										UNIT NO.	16303125	U 6
U 8	SYSTEM	B5500										PAGE NO.	63-04-07-0	U 8

Burroughs Corporation
 ELECTRODATA M & E DIVISION
 PASADENA CALIFORNIA
PROPERTY OF BURROUGHS CORPORATION NOT TO BE REPRODUCED, NOR USED FOR MANUFACTURING PURPOSES, EXCEPT ON BURROUGHS ORDER OR PRIOR WRITTEN CONSENT

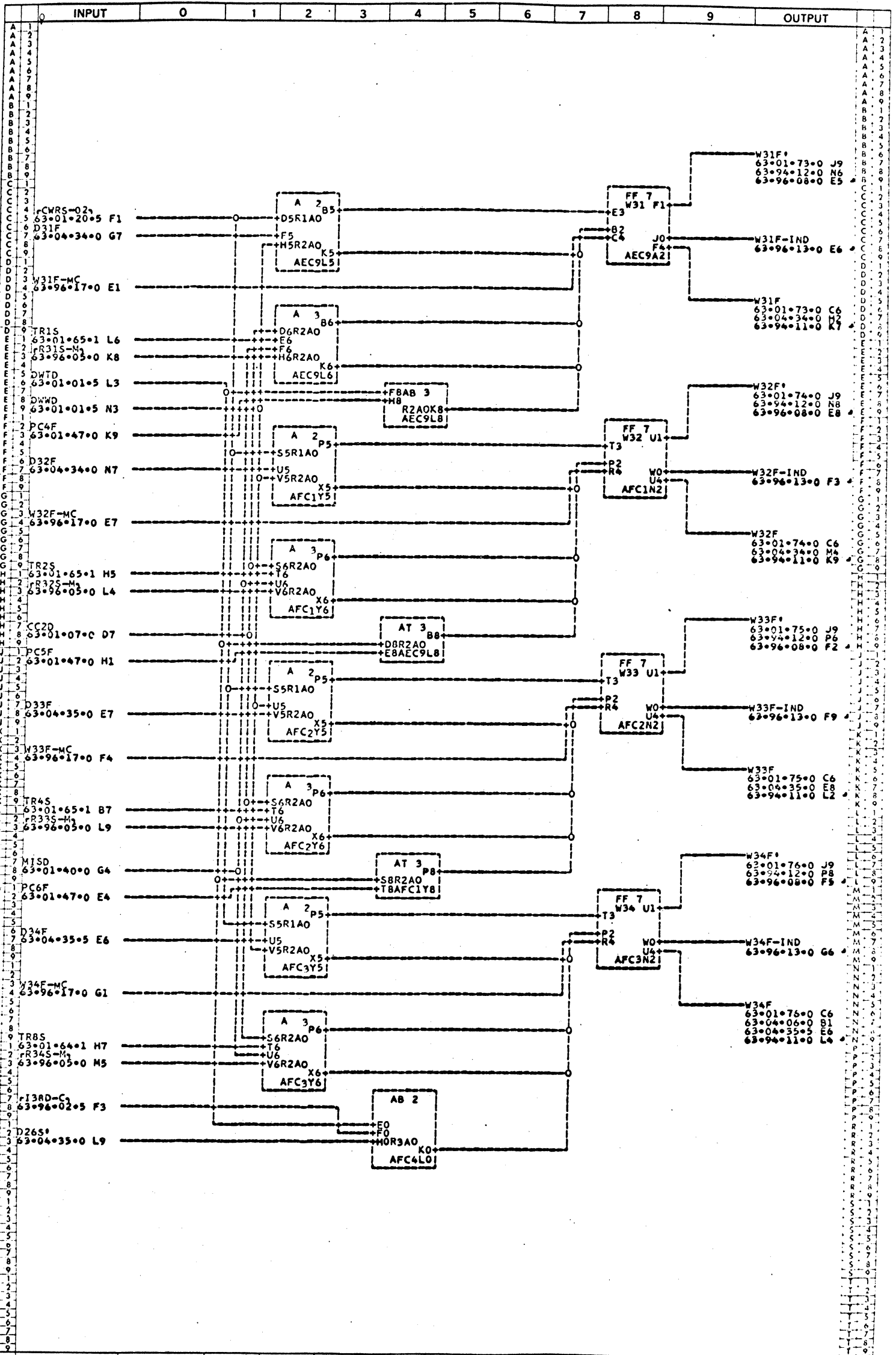
LOGIC SCHEMATIC



	INPUT	0	1	2	3	4	5	6	7	8	9	OUTPUT	
U 2	TITLE W REGISTER FF'S W27F-W28F-W29F-W30F											U 2	
U 4	DRAWN BY R WILLIAMS 14 AUG 61 CHECKED BY SMOGRASS 8-17-61											U 4	
U 6	UNIT NAME INPUT-OUTPUT CONTROL UNIT MODEL 3											U 6	
U 8	SYSTEM B5500											U 8	

Burroughs Corporation
 ELECTRODATA M&E DIVISION PASADENA CALIFORNIA
PROPERTY OF BURROUGHS CORPORATION. NOT TO BE REPRODUCED, NOR USED FOR MANUFACTURING PURPOSES, EXCEPT ON BURROUGHS ORDER OR PRIOR WRITTEN CONSENT

LOGIC SCHEMATIC

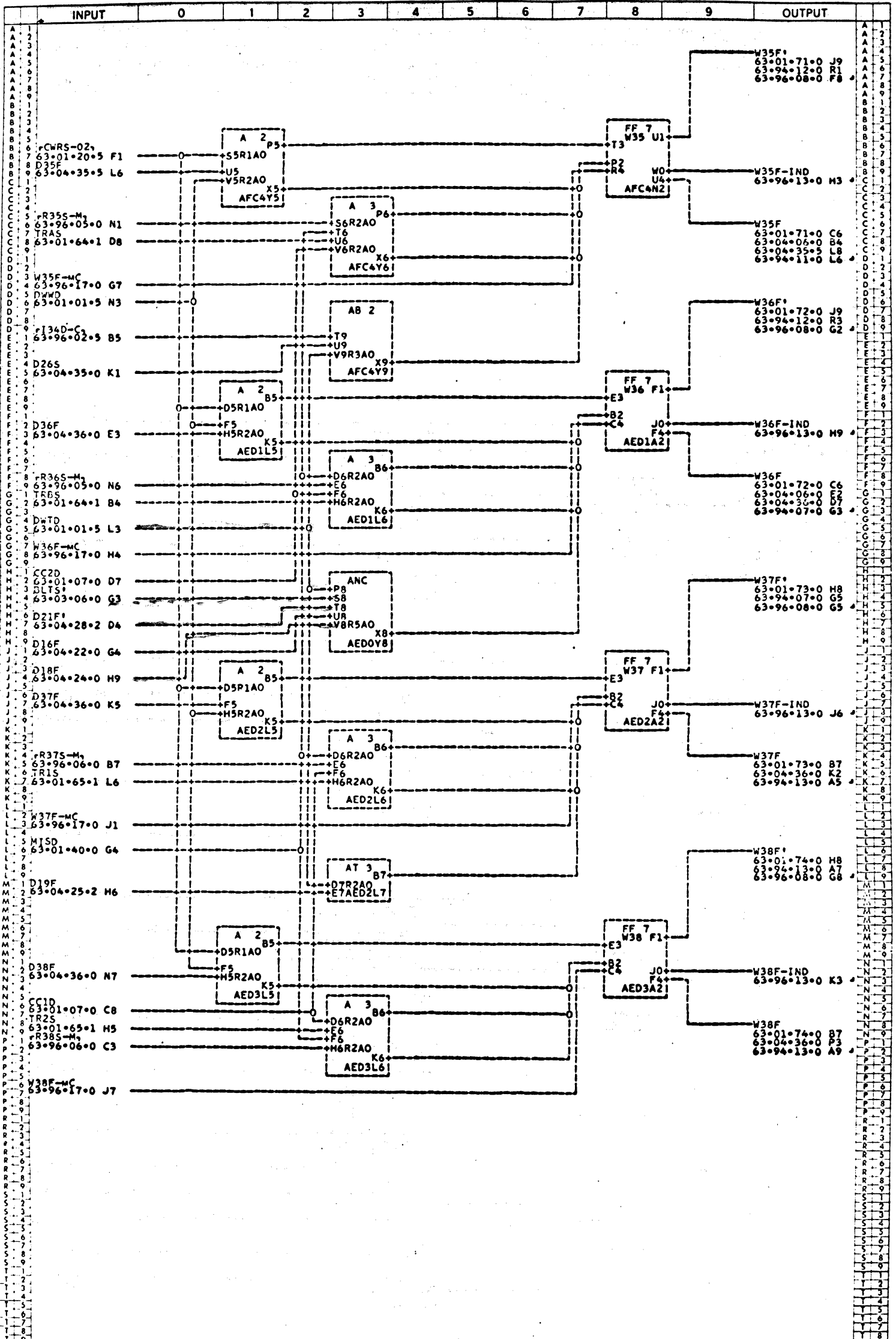


INPUT	0	1	2	3	4	5	6	7	8	9	OUTPUT
U 2	TITLE W REGISTER FF'S W31F-W32F-W33F-W34F										U 2
U 4	DRAWN BY N MOGLE CHECKED BY F.R.SNODGRASS 8-17-61										U 4
U 6	UNIT NAME INPUT-OUTPUT CONTROL UNIT MODEL 3										U 6
U 8	SYSTEM B5500										U 8

ELECTRODATA **Burroughs Corporation** PASADENA CALIFORNIA
 M & E DIVISION
 PROPERTY OF BURROUGHS CORPORATION NOT TO BE REPRODUCED, NOR USED FOR MANUFACTURING PURPOSES, EXCEPT ON BURROUGHS ORDER OR PRIOR WRITTEN CONSENT

H- 11203197AA
 UNIT NO. 16303125
 PAGE NO. 63-04-09-0

LOGIC SCHEMATIC



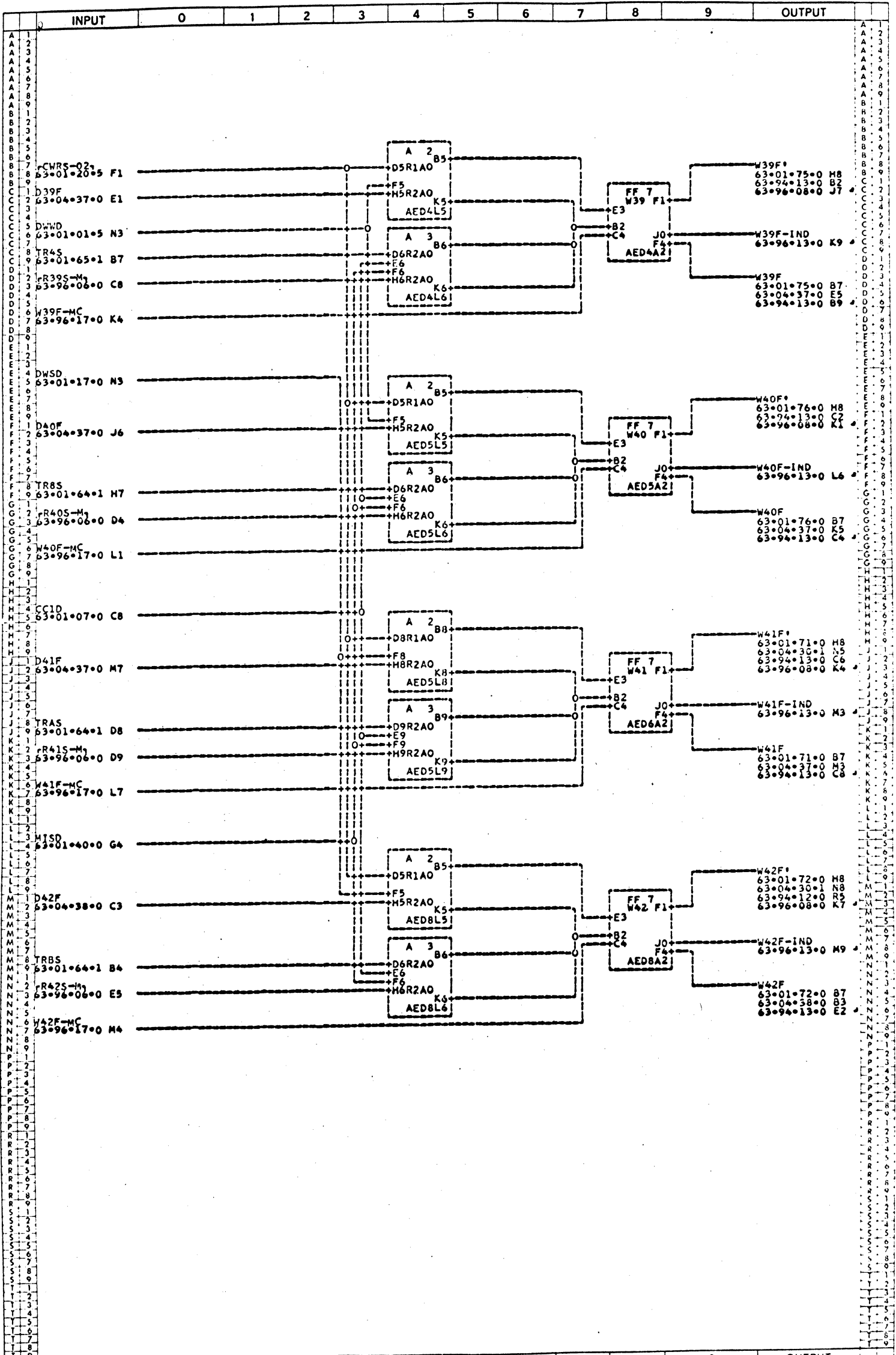
INPUT	0	1	2	3	4	5	6	7	8	9	OUTPUT
U 2	TITLE W REGISTER FF'S W35F-W36F-W37F-W38F										U 2
U 4	DRAWN BY ZINES										U 4
U 6	UNIT NAME INPUT-OUTPUT CONTROL UNIT MODEL 3										U 6
U 8	SYSTEM B5500										U 8

ELECTRODATA
 M&E DIVISION

Burroughs Corporation
 PASADENA CALIFORNIA

PROPERTY OF BURROUGHS CORPORATION. NOT TO BE REPRODUCED, NOR USED FOR MANUFACTURING PURPOSES, EXCEPT ON BURROUGHS ORDER OR PRIOR WRITTEN CONSENT.

LOGIC SCHEMATIC



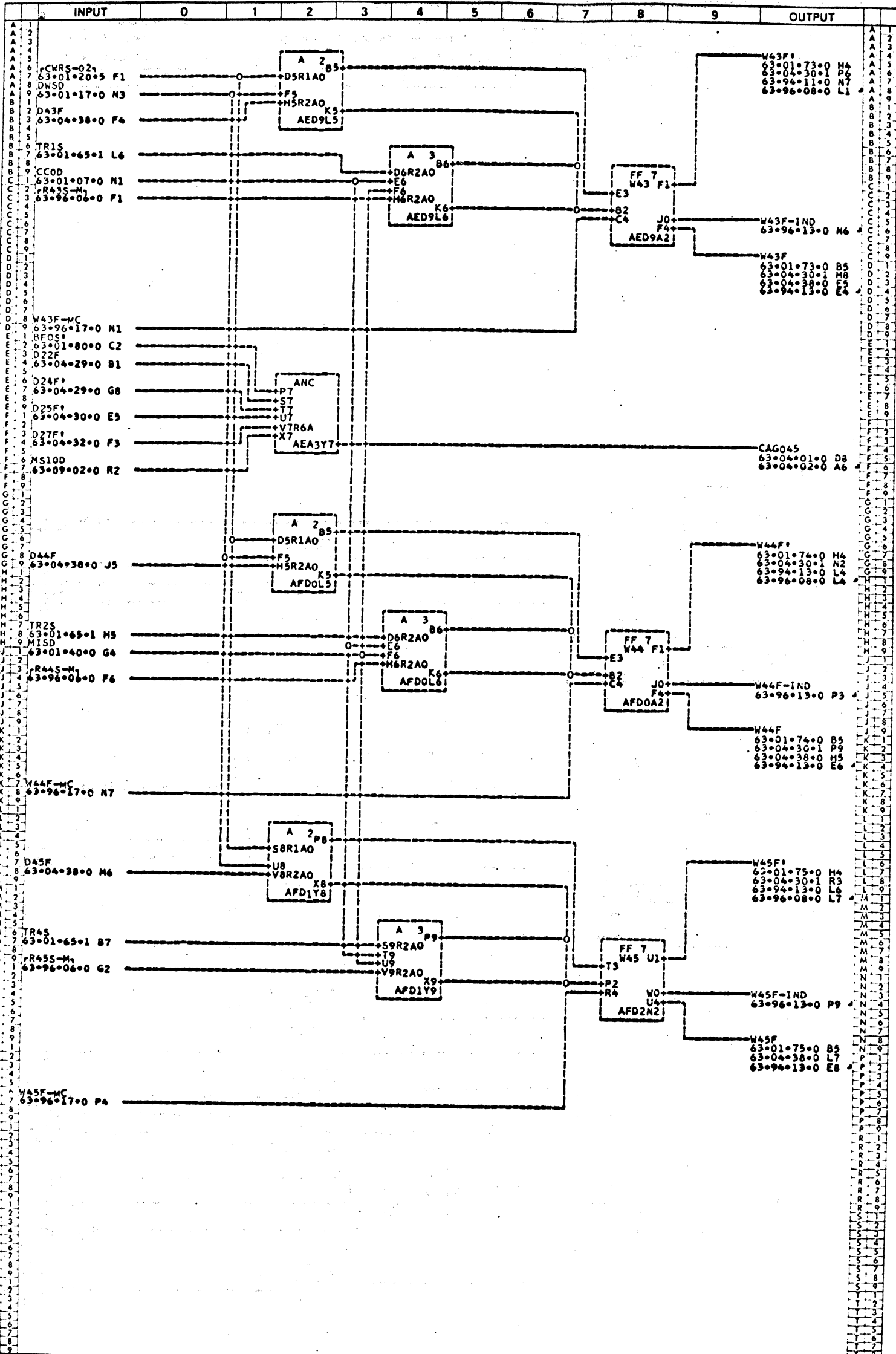
INPUT	0	1	2	3	4	5	6	7	8	9	OUTPUT
U 2	TITLE W REGISTER FF'S W39F-W40F-W41F-W42F H- 11203219AA										U 2
U 4	DRAWN BYR R BUNTON 8-14-61 CHECKED BY SNODGRASS JMZ 8-17-61										U 4
U 6	UNIT NAME INPUT-OUTPUT CONTROL UNIT MODEL 3 UNIT NO. 16303125										U 6
U 8	SYSTEM B5500 PAGE NO. 63-04-11-0										U 8

ELECTRODATA
M & E DIVISION

Burroughs Corporation
PASADENA CALIFORNIA

PROPERTY OF BURROUGHS CORPORATION NOT TO BE REPRODUCED, NOR USED FOR MANUFACTURING PURPOSES, EXCEPT ON BURROUGHS ORDER OR PRIOR WRITTEN CONSENT

LOGIC SCHEMATIC



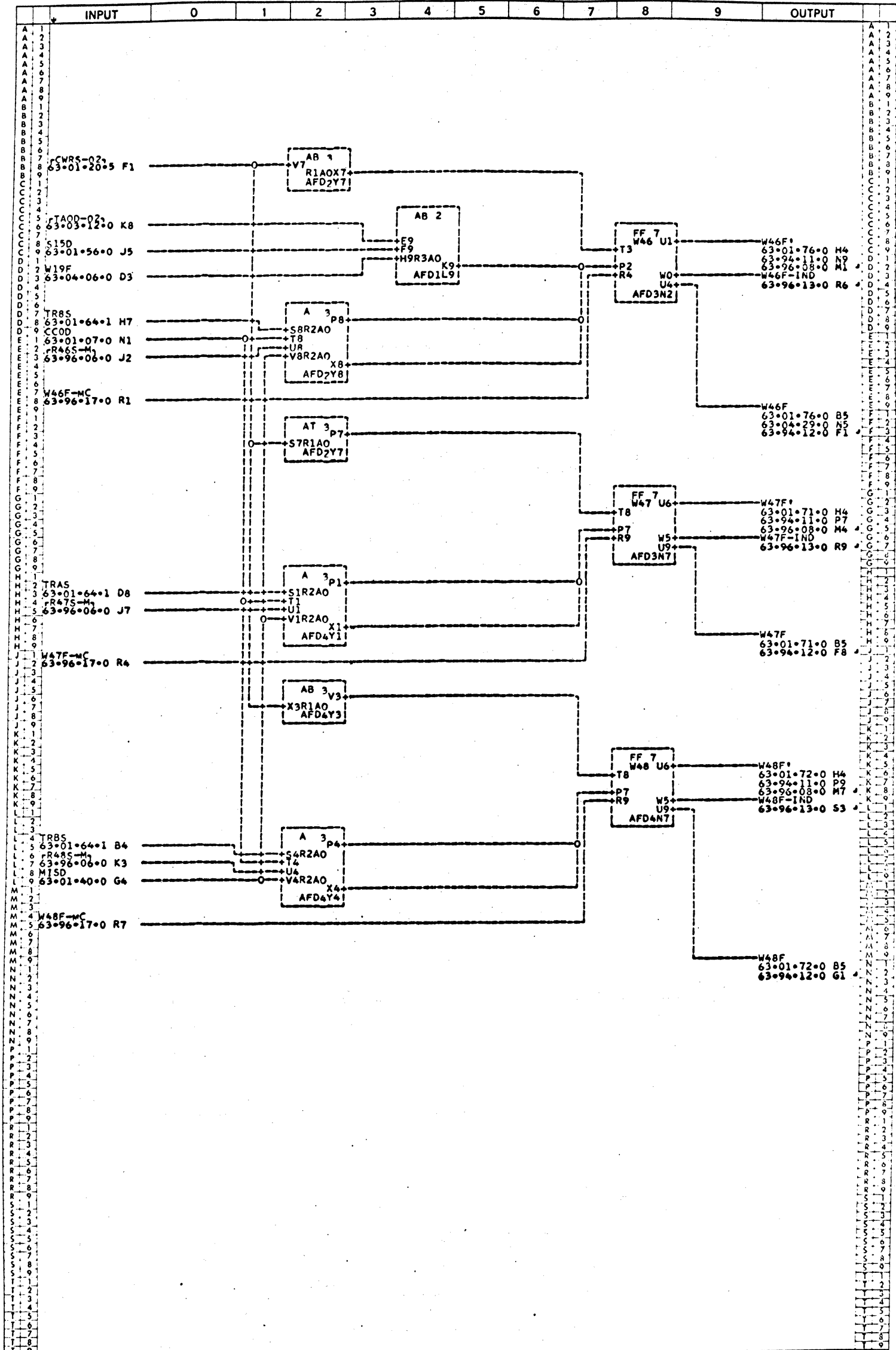
INPUT	0	1	2	3	4	5	6	7	8	9	OUTPUT
U 2	TITLE W REGISTER FF'S W43F-W44F-W45F AND CAG045										U 2
U 4	DRAWN BY R J MILLER 8-16-61 CHECKED BY F R SNODGRASS 8-17-61										U 4
U 6	UNIT NAME INPUT-OUTPUT CONTROL UNIT MODEL 3										U 6
U 8	SYSTEM B3500										U 8

ELECTRODATA
 M&E DIVISION

Burroughs Corporation
 PASADENA CALIFORNIA

PROPERTY OF BURROUGHS CORPORATION. NOT TO BE REPRODUCED, NOR USED FOR MANUFACTURING PURPOSES EXCEPT ON BURROUGHS ORDER OR PRIOR WRITTEN CONSENT.

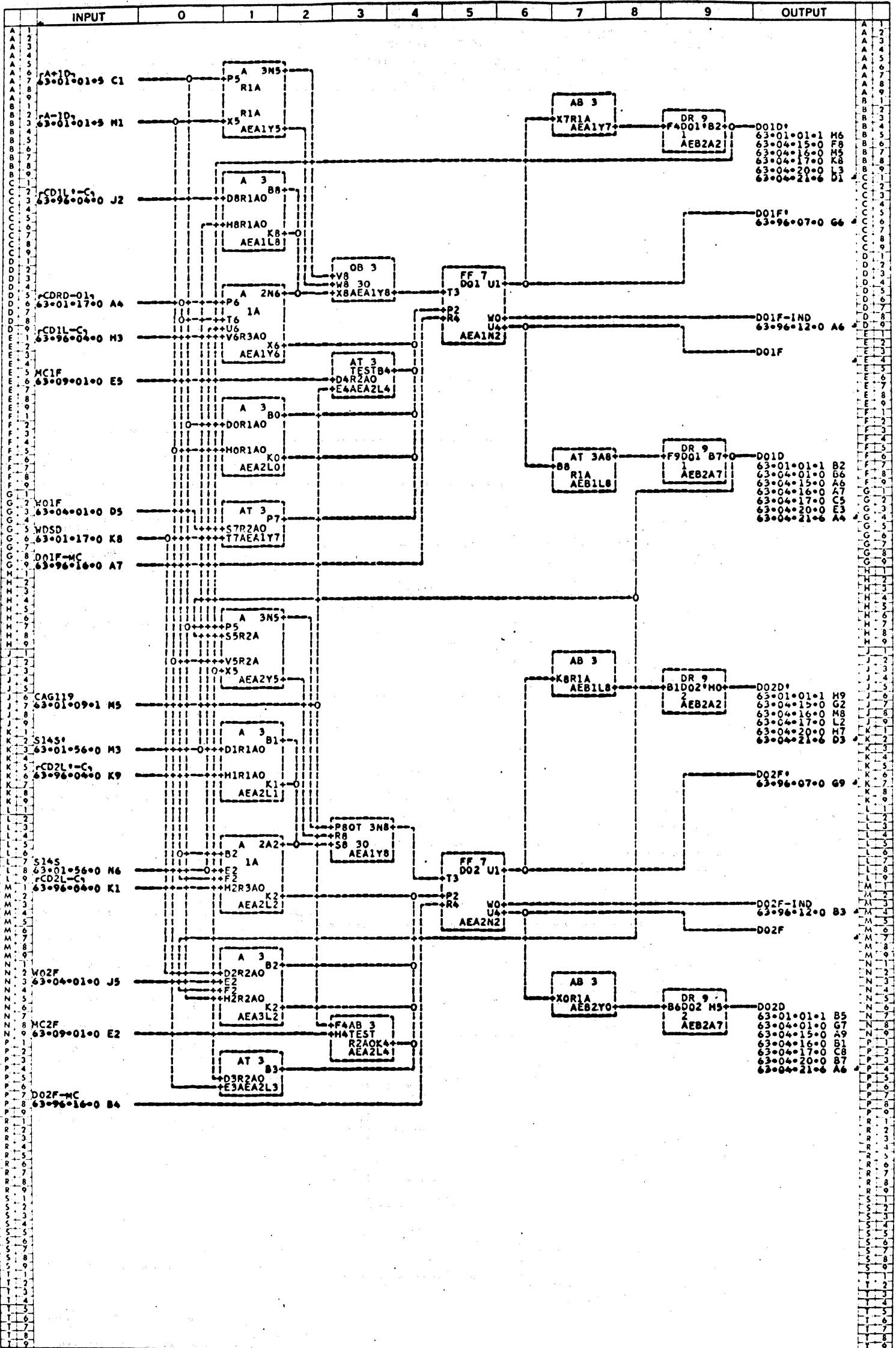
LOGIC SCHEMATIC



INPUT	0	1	2	3	4	5	6	7	8	9	OUTPUT
U 2	TITLE W REGISTER FF'S W46F-W47F-W48F										U 2
U 4	DRAWN BYR WILLIAMS 14AUG 61 CHECKED BY SNODGRASS 8-18-61										U 4
U 6	UNIT NAME INPUT-OUTPUT CONTROL UNIT MODEL 3										U 6
U 8	SYSTEM 85500										U 8

Burroughs Corporation
 ELECTRODATA M & E DIVISION PASADENA CALIFORNIA
PROPERTY OF BURROUGHS CORPORATION NOT TO BE REPRODUCED, NOR USED FOR MANUFACTURING PURPOSES, EXCEPT ON BURROUGHS ORDER OR PRIOR WRITTEN CONSENT.

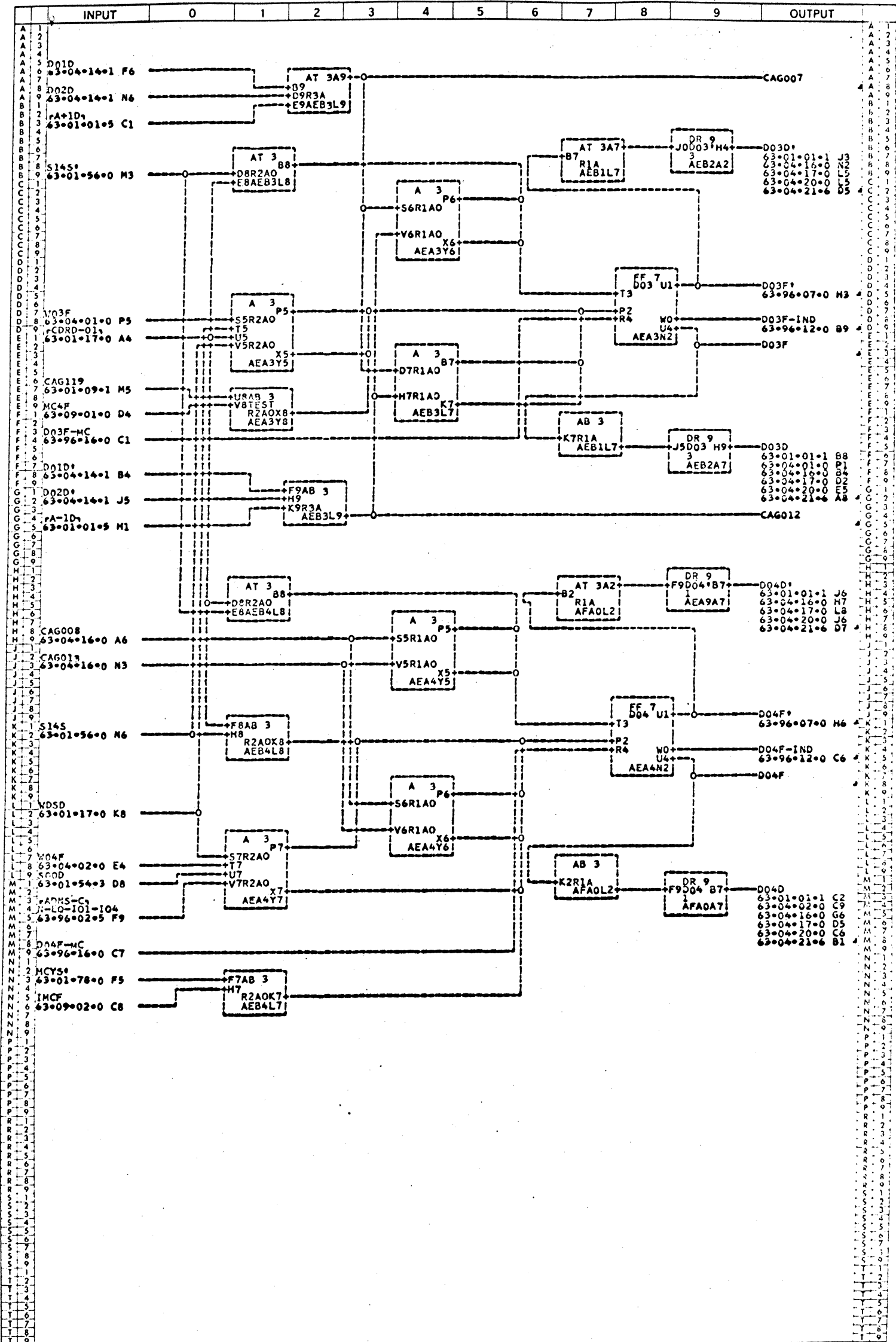
LOGIC SCHEMATIC



U 2	TITLE D REGISTER FF'S DO1F-DO2F AND DO1D-DO2D DRIVERS	N- 11203247A
U 4	DRAWN BY R J MILLER	CHECKED BY
U 6	UNIT NAME INPUT-OUTPUT CONTROL UNIT MODEL 3	
U 8	SYSTEM B5500	PAGE NO. 63-06-16-1

ELECTRODATA M&E DIVISION	Burroughs Corporation 	PASADENA CALIFORNIA
PROPERTY OF BURROUGHS CORPORATION NOT TO BE REPRODUCED, NOR USED FOR MANUFACTURING PURPOSES, EXCEPT ON BURROUGHS ORDER OR PRIOR WRITTEN CONSENT		

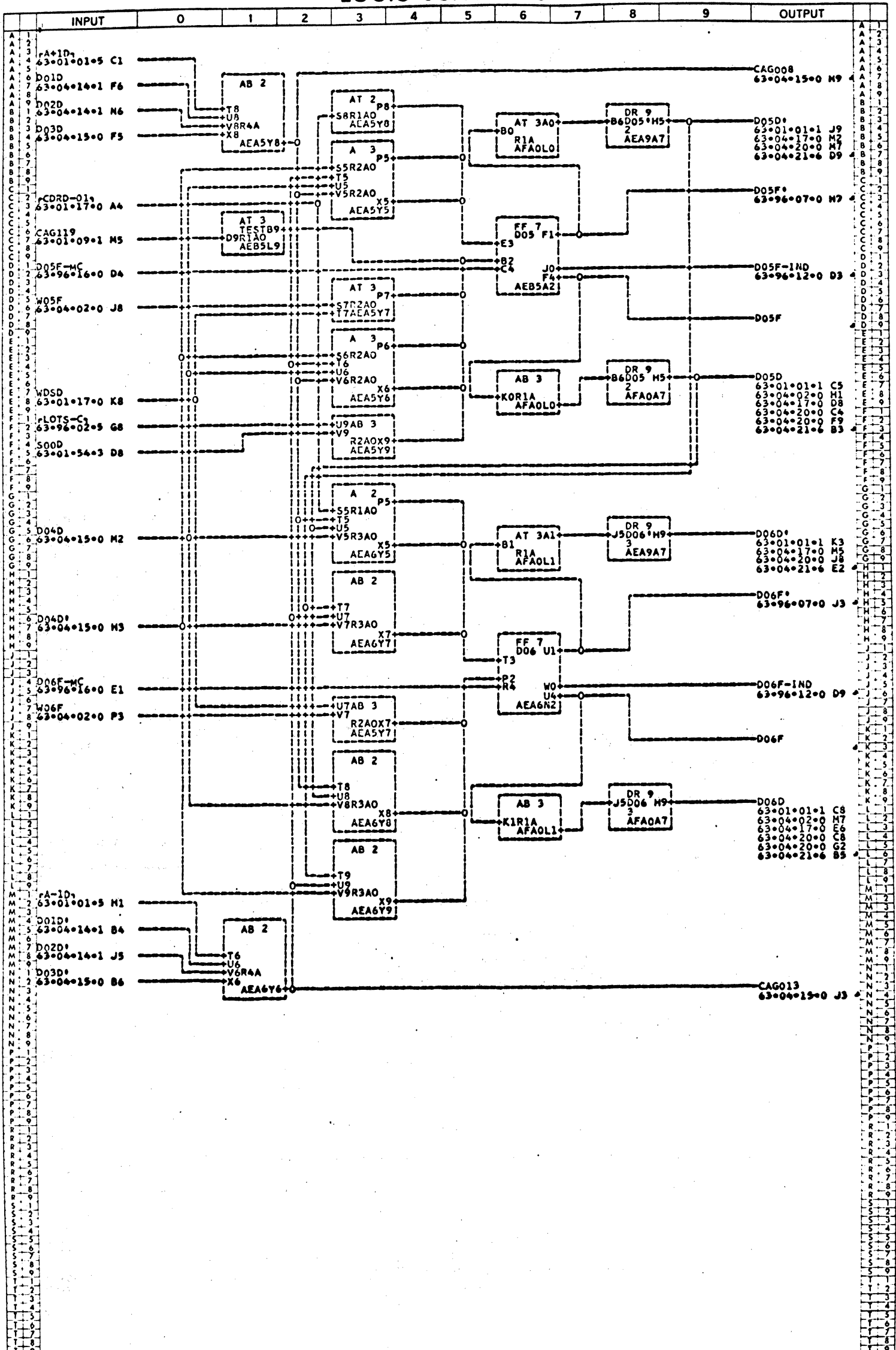
LOGIC SCHEMATIC



	INPUT	0	1	2	3	4	5	6	7	8	9	OUTPUT
U 2	TITLE D REGISTER FF'S D03F-D04F AND D03D-D04D DRIVERS M- 11203254AA											U 2
U 4	DRAWN BY ZINES CHECKED BY F.R.SNODGRASS 8-18-61											U 4
U 6	UNIT NAME INPUT-OUTPUT CONTROL UNIT MODEL 3 UNIT NO. 16303125											U 6
U 8	SYSTEM B5500 PAGE NO. 63-04-15-0											U 8

ELECTRODATA **Burroughs Corporation** PASADENA CALIFORNIA
 M&E DIVISION
 PROPERTY OF BURROUGHS CORPORATION NOT TO BE REPRODUCED, NOR USED FOR MANUFACTURING PURPOSES, EXCEPT ON BURROUGHS ORDER OR PRIOR WRITTEN CONSENT

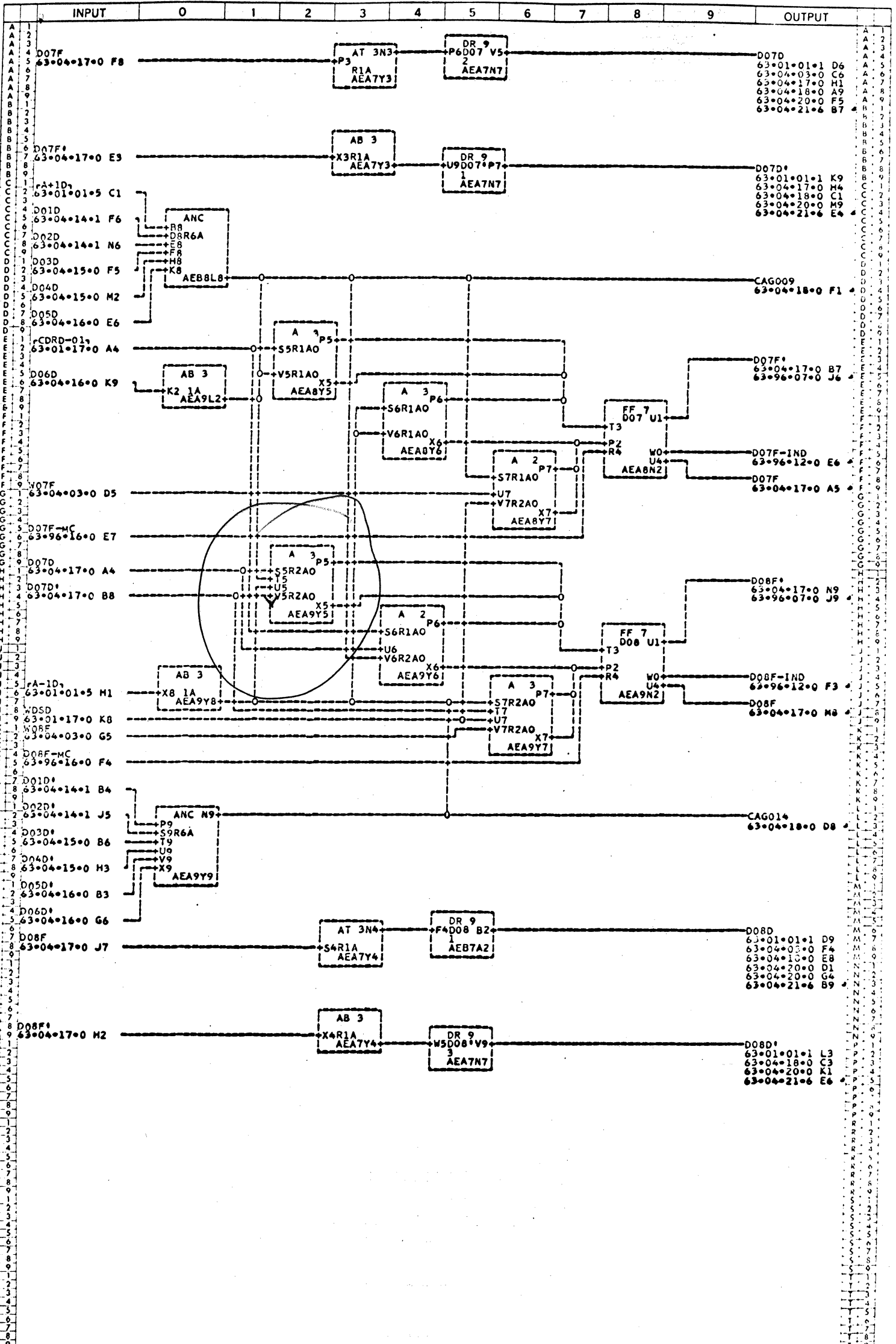
LOGIC SCHEMATIC



INPUT	0	1	2	3	4	5	6	7	8	9	OUTPUT
U 2	TITLE D REGISTER FF'S D05F-D06F AND D05D-D06D DRIVERS M- 11203262AA										U 2
U 4	DRAWN BY R R BUNTON 8-15-61 CHECKED BY SNOGRASS 8-21-61										U 4
U 6	UNIT NAME INPUT-OUTPUT CONTROL UNIT MODEL 3 UNIT NO. 16303125										U 6
U 8	SYSTEM B5500 PAGE NO. 63-04-16-00										U 8

ELECTRODATA **Burroughs Corporation** PASADENA CALIFORNIA
 M & E DIVISION 3
 PROPERTY OF BURROUGHS CORPORATION NOT TO BE REPRODUCED, NOR USED FOR MANUFACTURING PURPOSES, EXCEPT ON BURROUGHS ORDER OR PRIOR WRITTEN CONSENT.

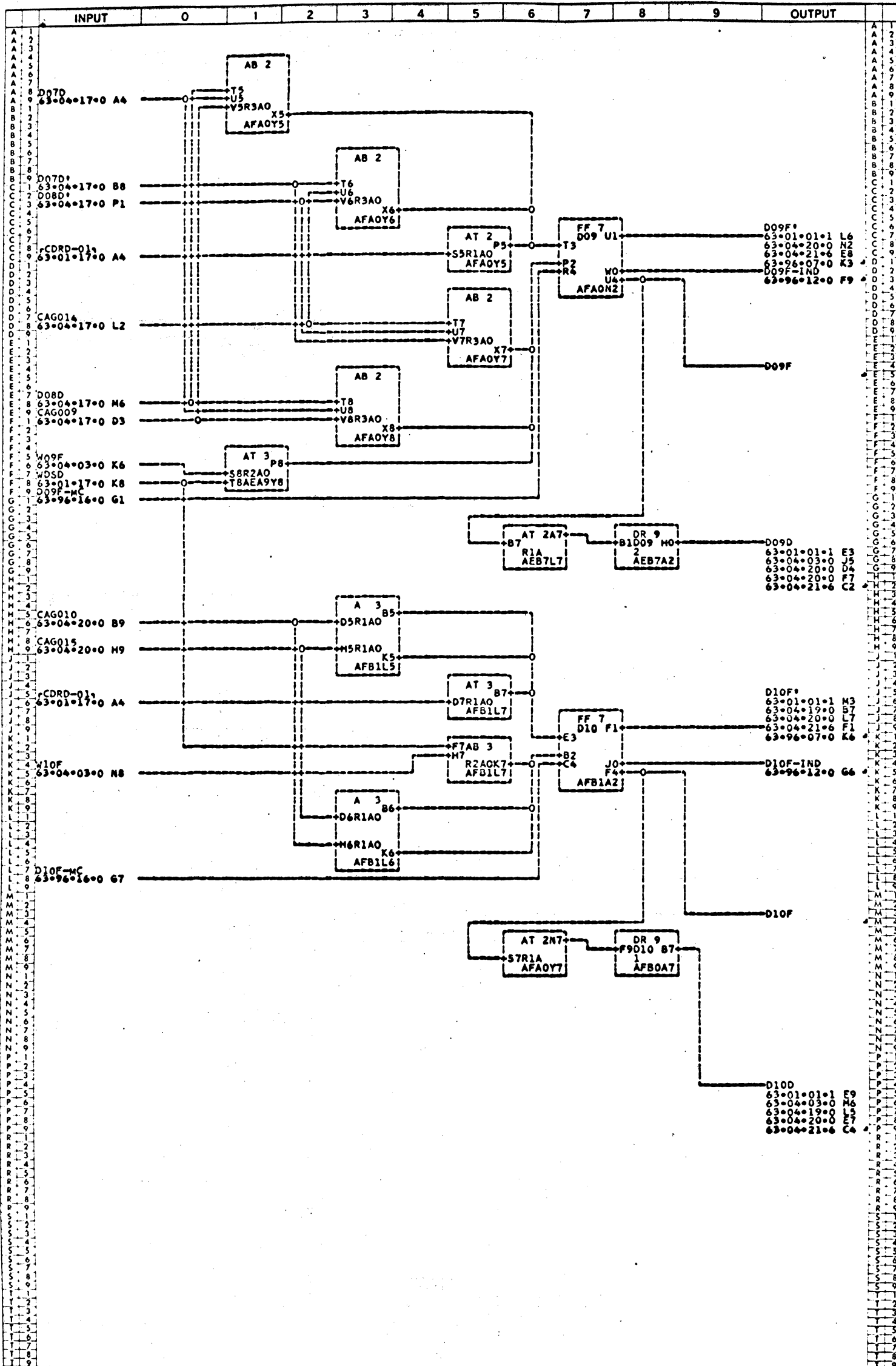
LOGIC SCHEMATIC



INPUT	0	1	2	3	4	5	6	7	8	9	OUTPUT
U 2	TITLE D REGISTER FF'S D07F-D08F AND D07D-D08D DRIVERS H- 11203270AA										U 2
U 4	DRAWN BY R J MILLER 8-16-61 CHECKED BY F R SNODGRASS 8-18-61										U 4
U 6	UNIT NAME INPUT-OUTPUT CONTROL UNIT MODEL 3 UNIT NO. 16303125										U 6
U 8	SYSTEM B5500 PAGE NO. 63-04-17-0										U 8

ELECTRODATA M&E DIVISION **Burroughs Corporation** PASADENA CALIFORNIA
PROPERTY OF BURROUGHS CORPORATION NOT TO BE REPRODUCED, NOR USED FOR MANUFACTURING PURPOSES EXCEPT ON BURROUGHS ORDER OR PRIOR WRITTEN CONSENT

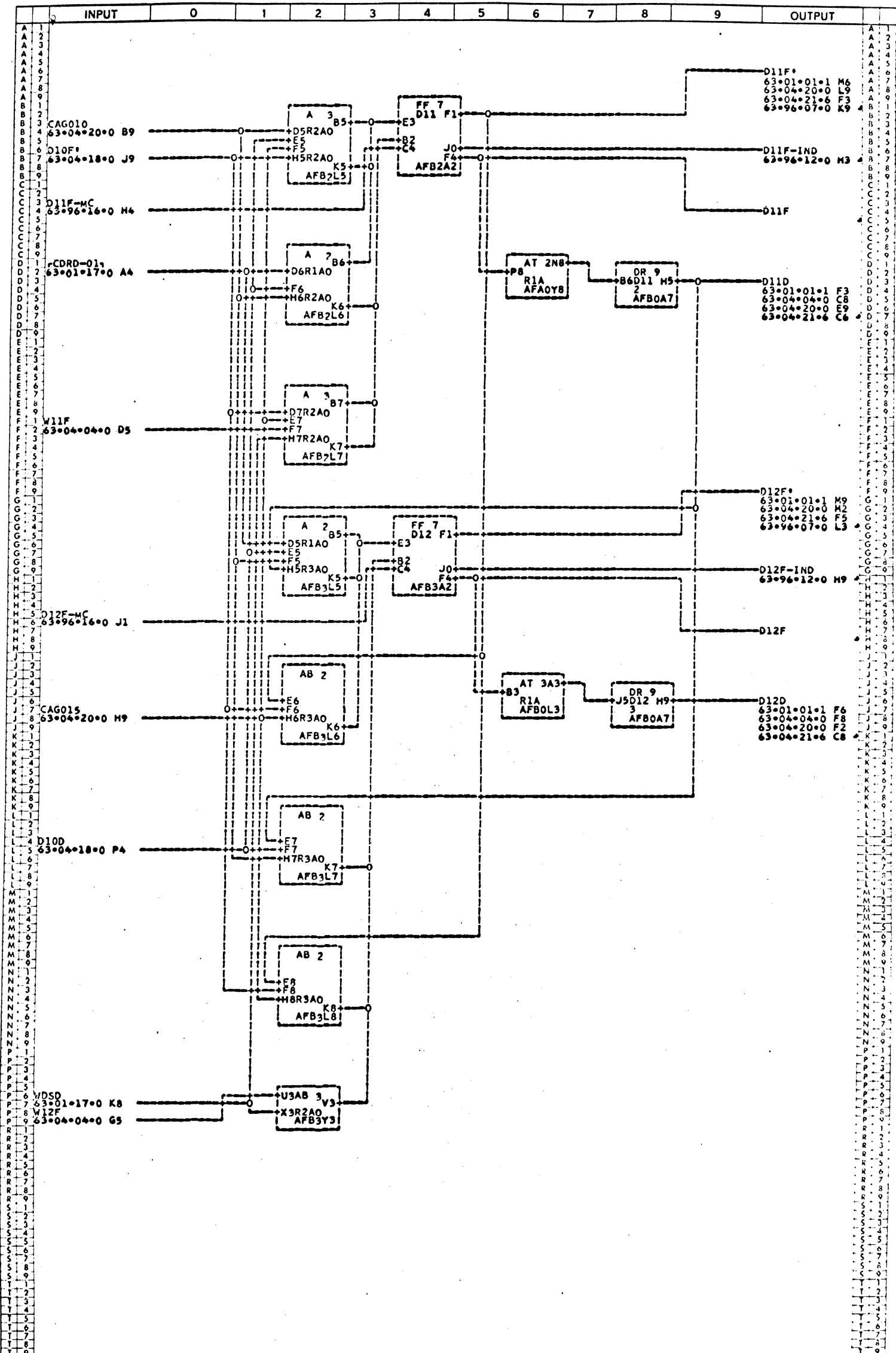
LOGIC SCHEMATIC



U 2	INPUT	0	1	2	3	4	5	6	7	8	9	OUTPUT	U 2
U 2	TITLE D REGISTER FF'S D09F-D10F AND D09D-D10D DRIVERS H- 1120328AA												U 2
U 4	DRAWN BY R WILLIAMS 15 AUG 61 CHECKED BY SNODGRASS 8-18-61												U 4
U 6	UNIT NAME INPUT-OUTPUT CONTROL UNIT MODEL 3 UNIT NO. 16303125												U 6
U 8	SYSTEM B5500 PAGE NO. 63-04-18-00												U 8

ELECTRODATA **Burroughs Corporation** **PASADENA**
 M & E DIVISION Ⓢ CALIFORNIA
PROPERTY OF BURROUGHS CORPORATION NOT TO BE REPRODUCED, NOR USED FOR MANUFACTURING PURPOSES, EXCEPT ON BURROUGHS ORDER OR PRIOR WRITTEN CONSENT.

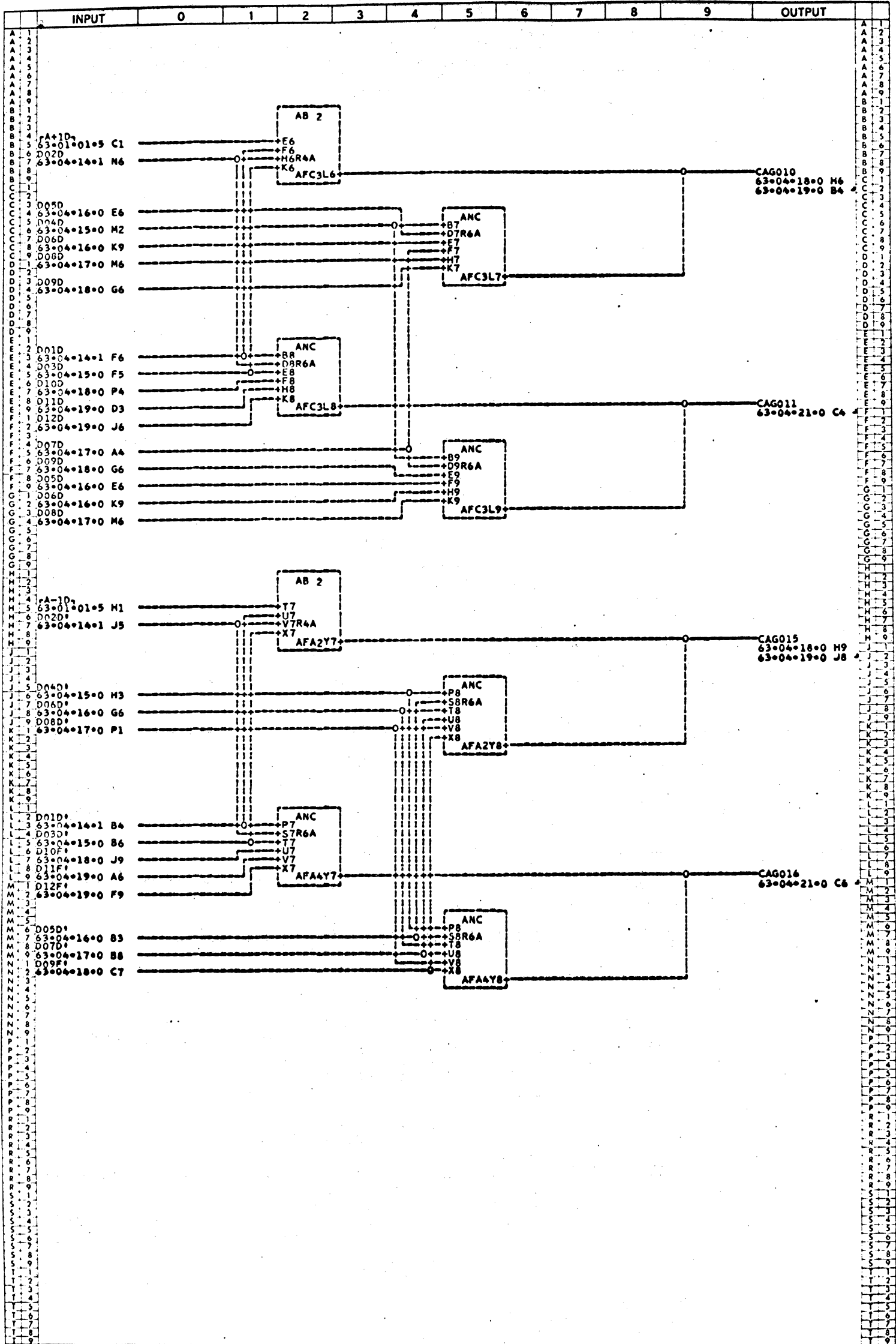
LOGIC SCHEMATIC



A	INPUT	0	1	2	3	4	5	6	7	8	9	OUTPUT	A
U 2	TITLE D REGISTER FF'S D11F-D12F AND D11D-D12D DRIVERS M- 11203296AA												U 2
U 4	DRAWN BY N MOGLE												U 4
U 6	UNIT NAME INPUT-OUTPUT CONTROL UNIT MODEL 3												U 6
U 8	SYSTEM B5500												U 8

Burroughs Corporation
 ELECTRODATA M&E DIVISION PASADENA CALIFORNIA
 PROPERTY OF BURROUGHS CORPORATION NOT TO BE REPRODUCED, NOR USED FOR MANUFACTURING PURPOSES, EXCEPT ON BURROUGHS ORDER OR PRIOR WRITTEN CONSENT

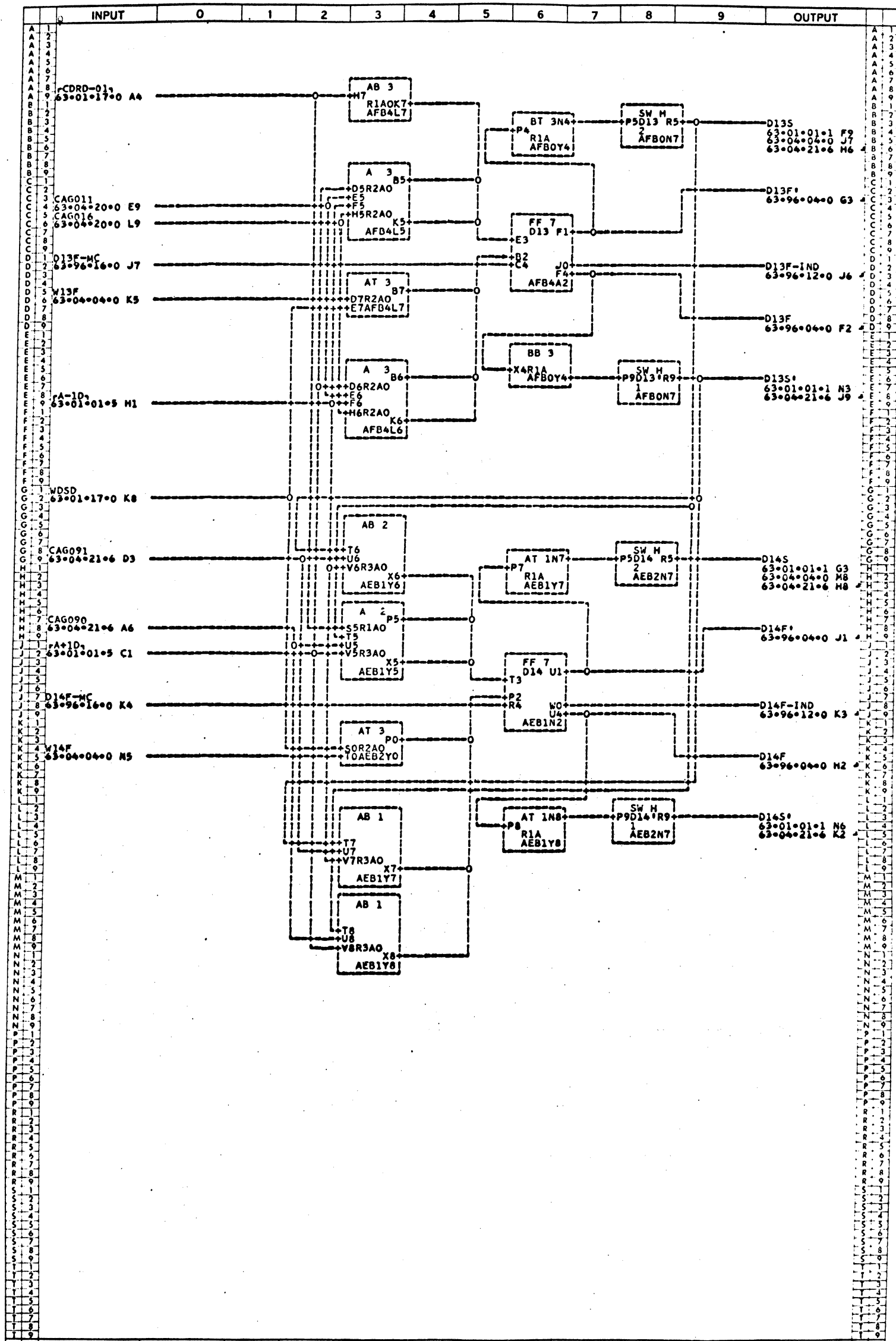
LOGIC SCHEMATIC



INPUT	0	1	2	3	4	5	6	7	8	9	OUTPUT
U 2	TITLE D REGISTER CAG'S 010-011-015-016										U 2
U 4	DRAWN BY ZIMES										U 4
U 6	UNIT NAME INPUT-OUTPUT CONTROL UNIT MODEL 3										U 6
U 8	SYSTEM B3200										U 8

Burroughs Corporation
 ELECTRODATA M&E DIVISION PASADENA CALIFORNIA
 PROPERTY OF BURROUGHS CORPORATION NOT TO BE REPRODUCED, NOR USED FOR MANUFACTURING PURPOSES, EXCEPT ON BURROUGHS ORDER OR PRIOR WRITTEN CONSENT.

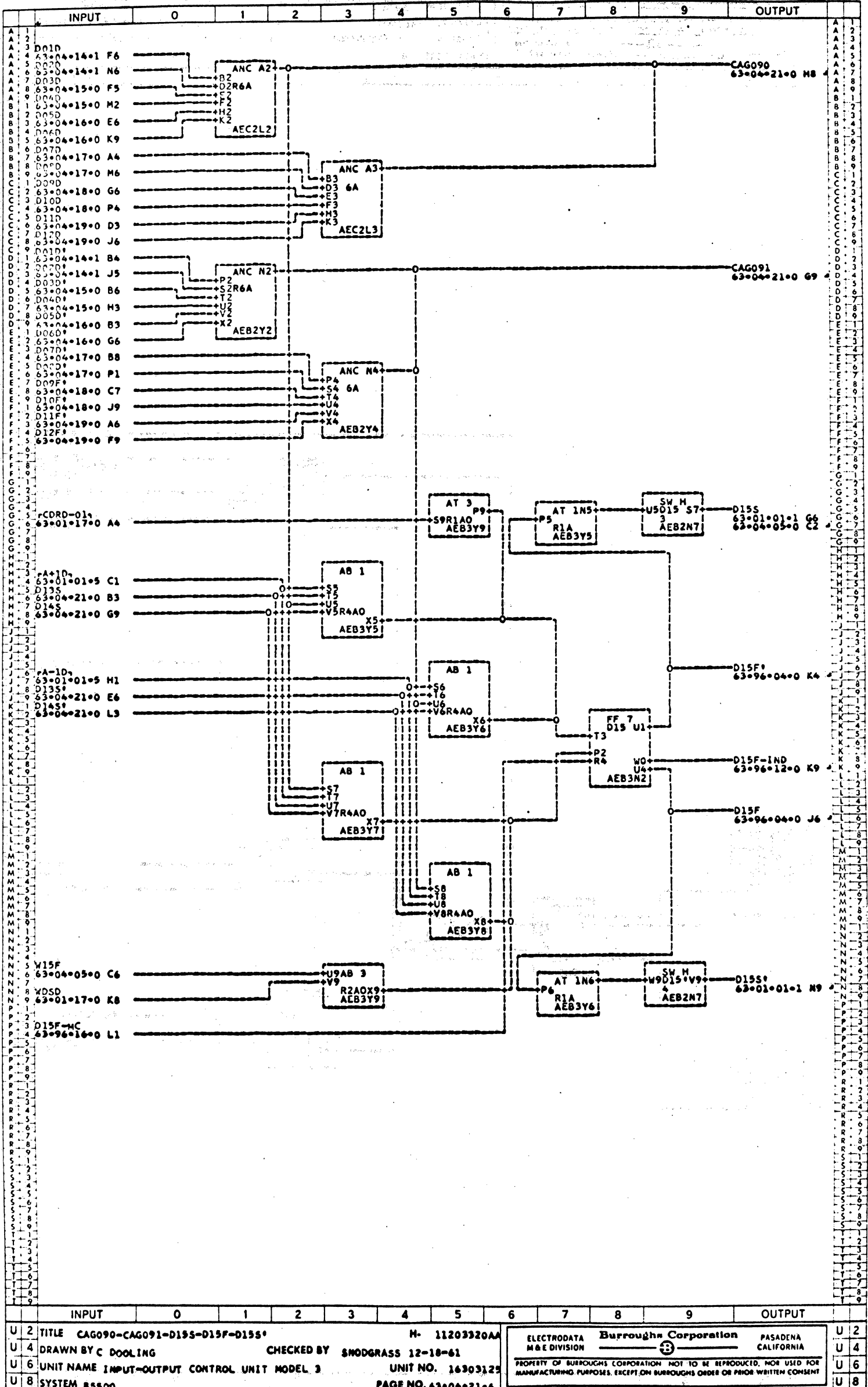
LOGIC SCHEMATIC



INPUT	0	1	2	3	4	5	6	7	8	9	OUTPUT
U 2	TITLE D REGISTER FF'S D13F-D14F AND D13S-D14S										U 2
U 4	DRAWN BY R R BUNTON 8-16-61 CHECKED BY SNOGRASS JM2 8-21-61										U 4
U 6	UNIT NAME INPUT-OUTPUT CONTROL UNIT MODEL 3										U 6
U 8	SYSTEM 85900										U 8

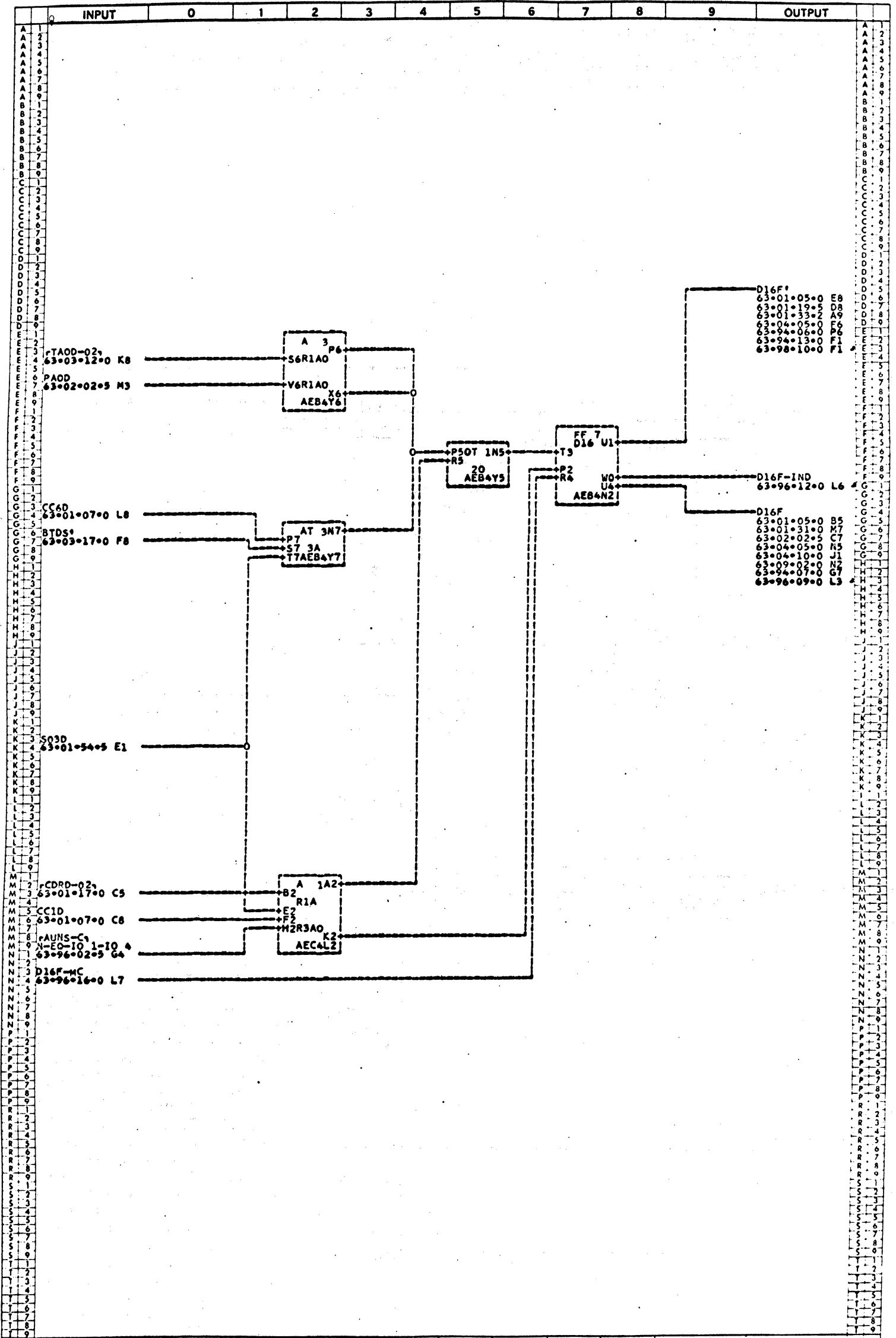
ELECTRODATA **Burroughs Corporation** PASADENA CALIFORNIA
 PROPERTY OF BURROUGHS CORPORATION. NOT TO BE REPRODUCED, NOR USED FOR MANUFACTURING PURPOSES, EXCEPT ON BURROUGHS ORDER OR PRIOR WRITTEN CONSENT.

LOGIC SCHEMATIC



APR 22 1965

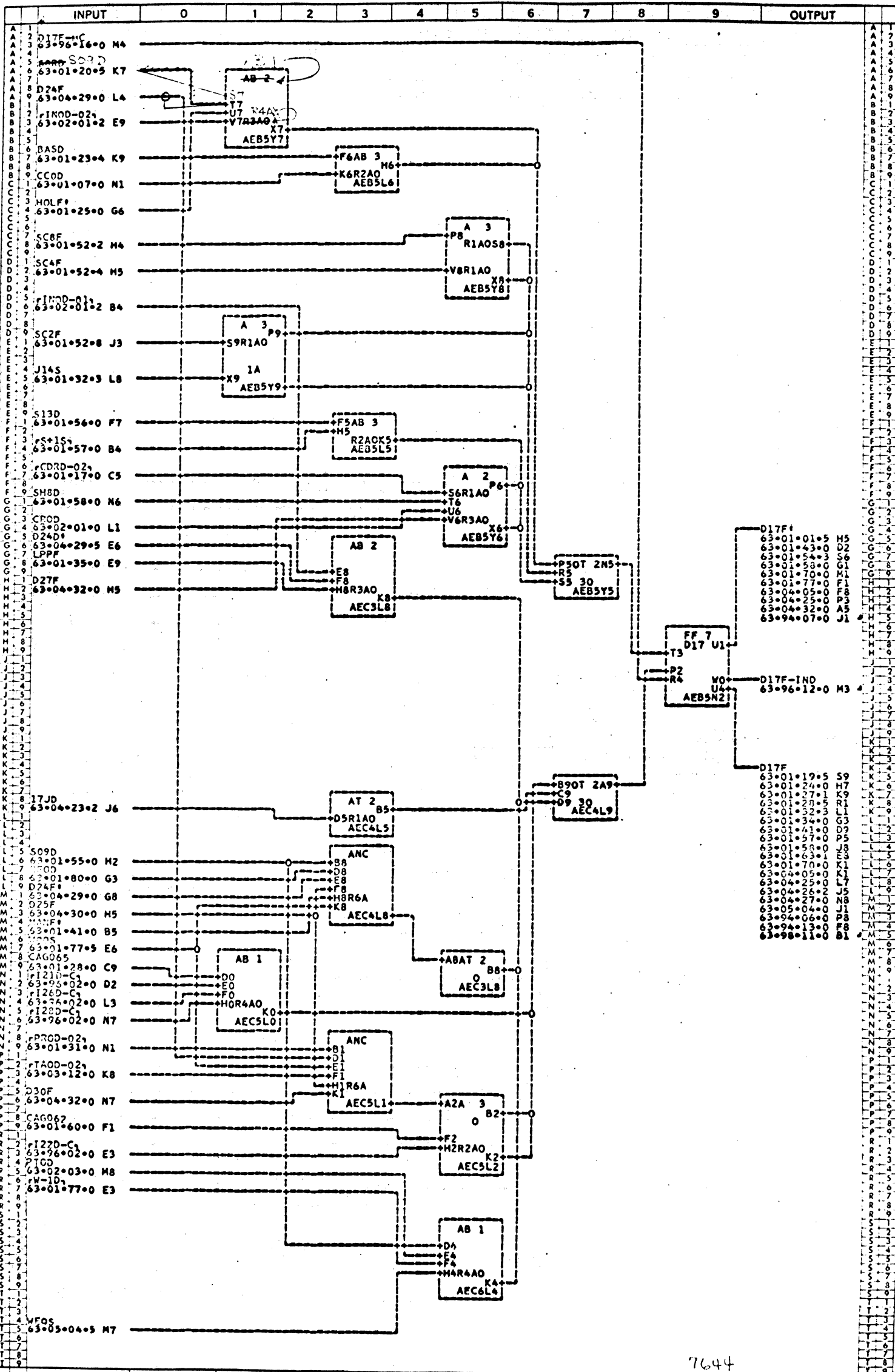
LOGIC SCHEMATIC



	INPUT	0	1	2	3	4	5	6	7	8	9	OUTPUT
U 2	TITLE D REGISTER FF D16F											
U 4	DRAWN BY R J MILLER 8-17-61 CHECKED BY SNODGRASS 8-19-61											
U 6	UNIT NAME INPUT-OUTPUT CONTROL UNIT MODEL 3											
U 8	SYSTEM 85500											

ELLECTRODATA M & E DIVISION	Burroughs Corporation	PASADENA CALIFORNIA
PROPERTY OF BURROUGHS CORPORATION NOT TO BE REPRODUCED, NOR USED FOR MANUFACTURING PURPOSES, EXCEPT ON BURROUGHS ORDER OR PRIOR WRITTEN CONSENT.		

LOGIC SCHEMATIC



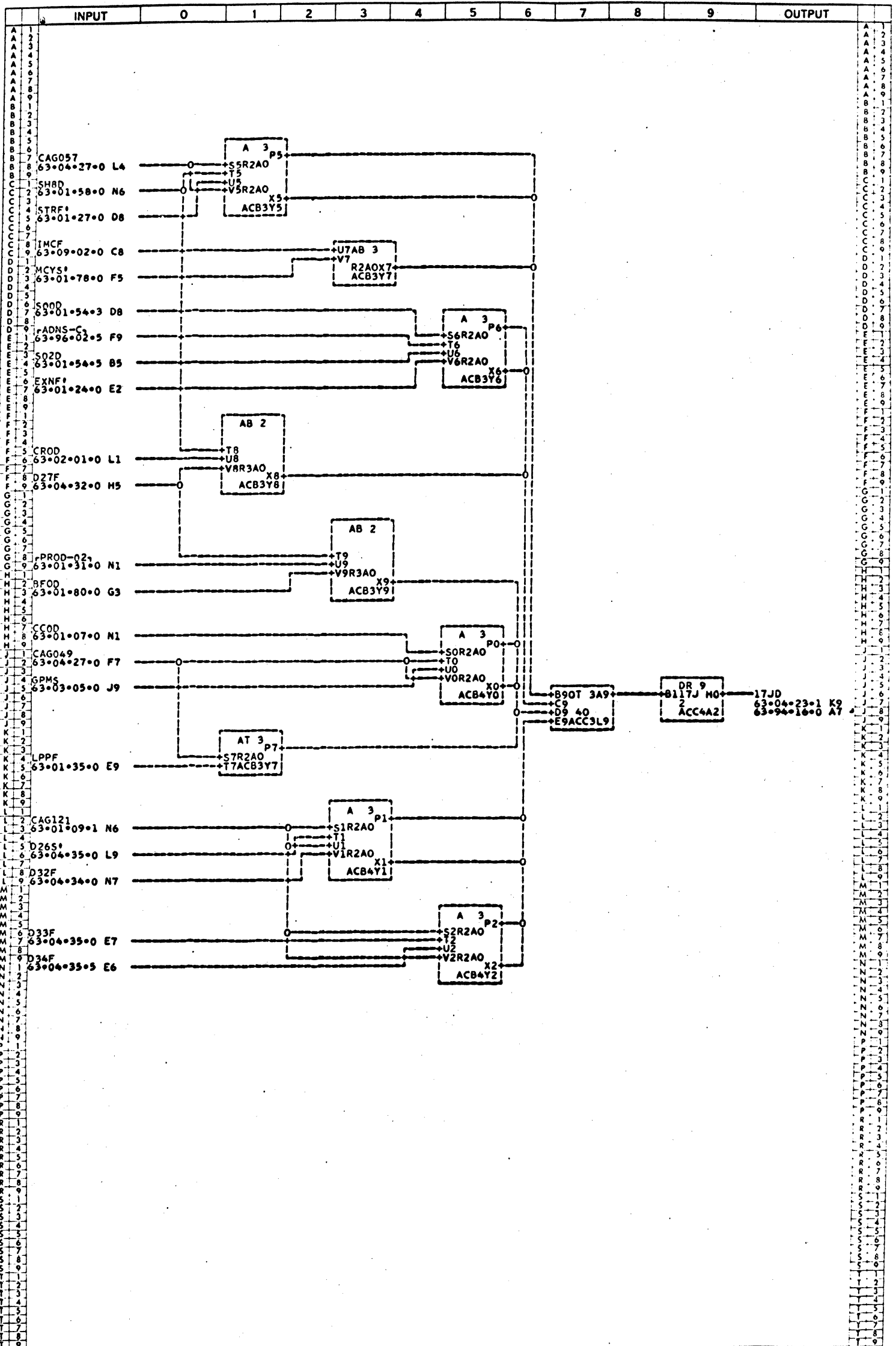
7644

INPUT	0	1	2	3	4	5	6	7	8	9	OUTPUT
U 2	TITLE D REGISTER FF D17F										U 2
U 4	DRAWN BY ROLLIN MANN										U 4
U 6	UNIT NAME INPUT-OUTPUT CONTROL UNIT MODEL 3										U 6
U 8	SYSTEM B5500										U 8

ELECTRODATA **Burroughs Corporation** PASADENA CALIFORNIA

PROPERTY OF BURROUGHS CORPORATION. NOT TO BE REPRODUCED, NOR USED FOR MANUFACTURING PURPOSES, EXCEPT ON BURROUGHS ORDER OR PRIOR WRITTEN CONSENT.

LOGIC SCHEMATIC



INPUT	0	1	2	3	4	5	6	7	8	9	OUTPUT
U 2	TITLE 17JD DRIVER										U 2
U 4	DRAWN BY T J										U 4
U 6	UNIT NAME INPUT-OUTPUT CONTROL UNIT MODEL 3										U 6
U 8	SYSTEM 85500										U 8

H- 11204278AC

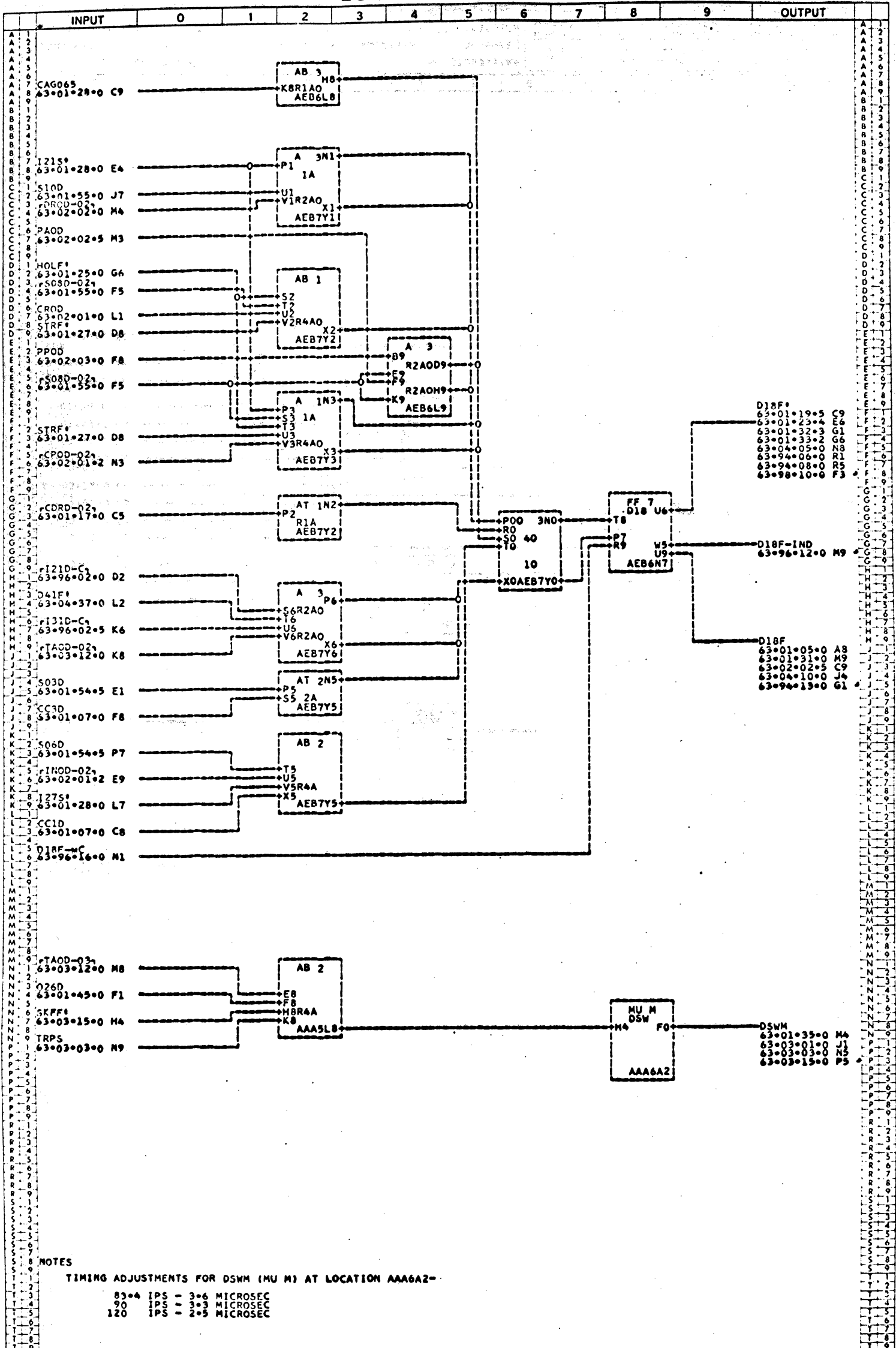
CHECKED BY TOM JONES

UNIT NO. 16303125

PAGE NO. 63-04-23-2

ELECTRODATA M&E DIVISION	Burroughs Corporation	PASADENA CALIFORNIA
PROPERTY OF BURROUGHS CORPORATION NOT TO BE REPRODUCED, NOR USED FOR MANUFACTURING PURPOSES, EXCEPT ON BURROUGHS ORDER OR PRIOR WRITTEN CONSENT		

LOGIC SCHEMATIC



INPUT	0	1	2	3	4	5	6	7	8	9	OUTPUT
U 2	TITLE D REGISTER FF D18F										U 2
U 4	DRAWN BY M MOGLE 8-17-61 CHECKED BY SNODGRASS 8-19-61										U 4
U 6	UNIT NAME INPUT-OUTPUT CONTROL UNIT MODEL 3										U 6
U 8	SYSTEM B5500										U 8

M- 11203353AA

ELECTRODATA **Burroughs Corporation** PASADENA CALIFORNIA

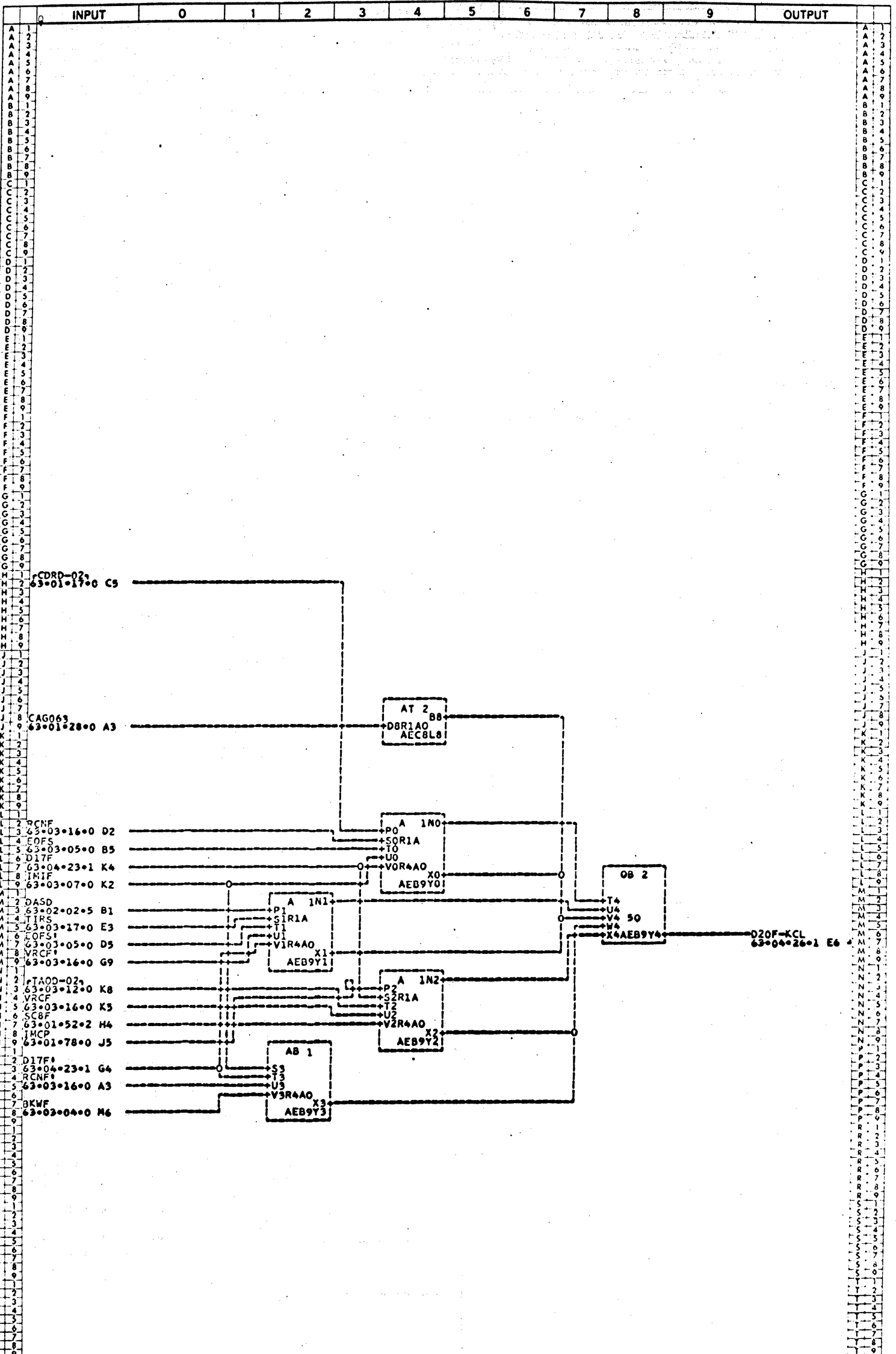
M&E DIVISION

PROPERTY OF BURROUGHS CORPORATION NOT TO BE REPRODUCED, NOR USED FOR MANUFACTURING PURPOSES, EXCEPT ON BURROUGHS ORDER OR PRIOR WRITTEN CONSENT

UNIT NO. 16303125

PAGE NO. 63-04-24-0

LOGIC SCHEMATIC



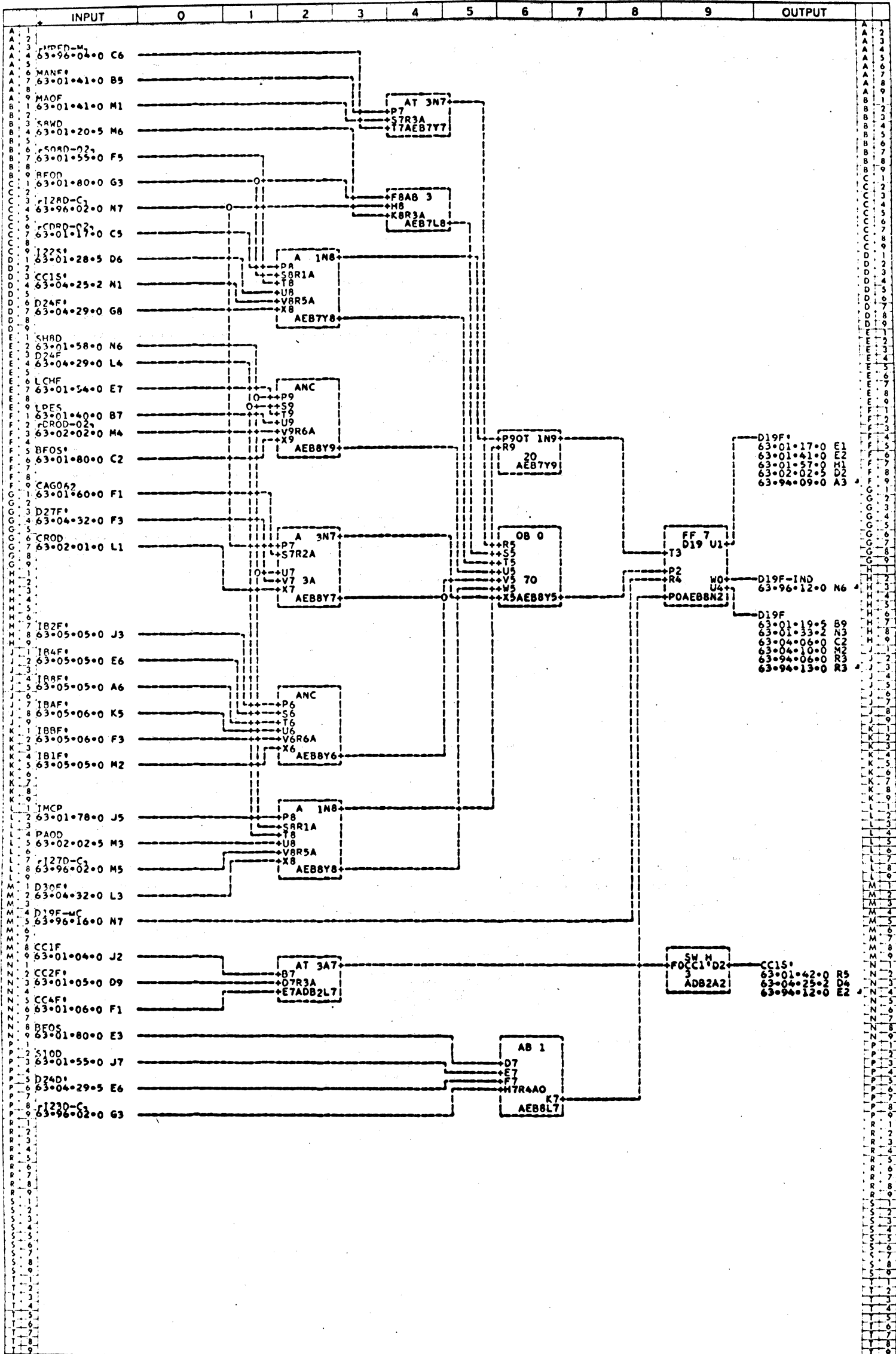
INPUT	0	1	2	3	4	5	6	7	8	9	OUTPUT	
U 2	TITLE D REGISTER FF-D20F-KCL										M- 11203361AA	U 2
U 4	DRAWN BY R R BUNTON 8-17-61 CHECKED BY SNODGRASS 8-19-61											U 4
U 6	UNIT NAME INPUT-OUTPUT CONTROL UNIT MODEL 3										UNIT NO. 16303125	U 6
U 8	SYSTEM B5500										PAGE NO. 63-04-25-0	U 8

ELECTRODATA **Burroughs Corporation** PASADENA CALIFORNIA

M & E DIVISION

PROPERTY OF BURROUGHS CORPORATION. NOT TO BE REPRODUCED, NOR USED FOR MANUFACTURING PURPOSES, EXCEPT ON BURROUGHS ORDER OR PRIOR WRITTEN CONSENT

LOGIC SCHEMATIC



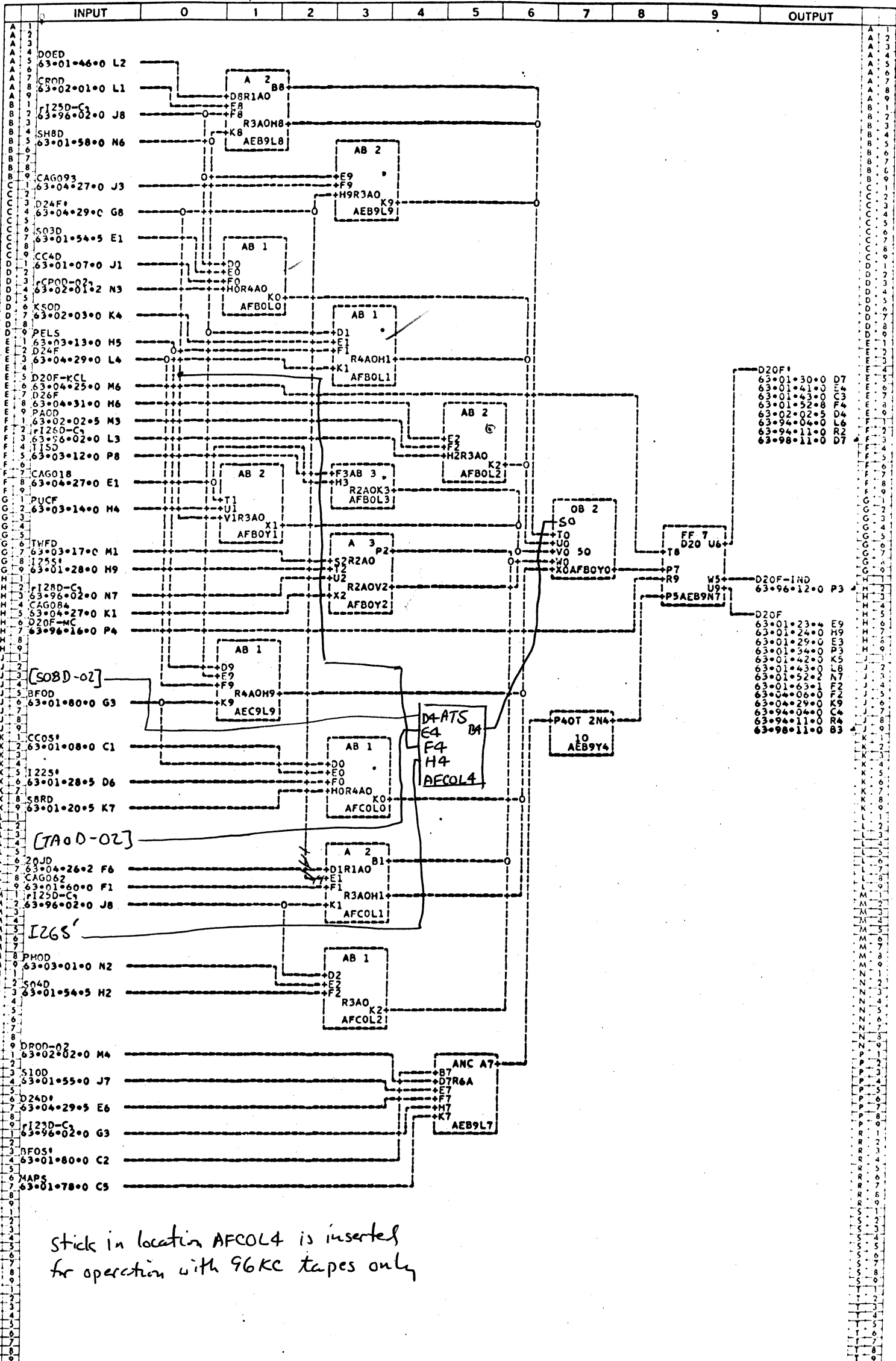
U 2	TITLE D REGISTER FF D19F AND SWITCH CC15	H- 11203379AC	U 2
U 4	DRAWN BY STANLEY SMITH	CHECKED BY DUOLEY SHEPHERD	U 4
U 6	UNIT NAME INPUT-OUTPUT CONTROL UNIT MODEL 3	UNIT NO. 16303125	U 6
U 8	SYSTEM B5500	PAGE NO. 63-04-25-2	U 8

Burroughs Corporation

ELECTRODATA M & E DIVISION PASADENA CALIFORNIA

PROPERTY OF BURROUGHS CORPORATION. NOT TO BE REPRODUCED, NOR USED FOR MANUFACTURING PURPOSES, EXCEPT ON BURROUGHS ORDER OR PRIOR WRITTEN CONSENT.

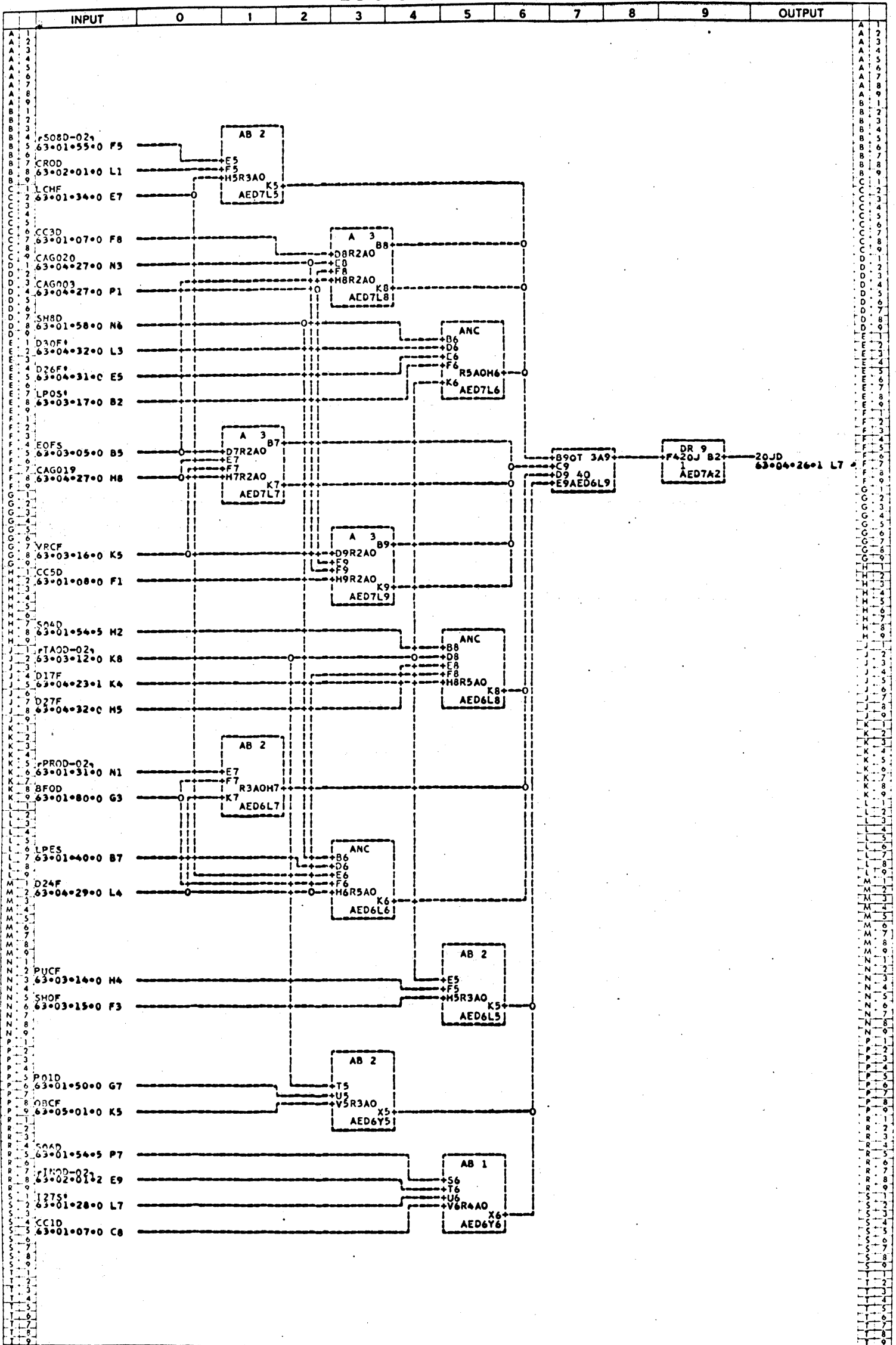
LOGIC SCHEMATIC



Stick in location AFCOL4 is inserted for operation with 96KC tapes only

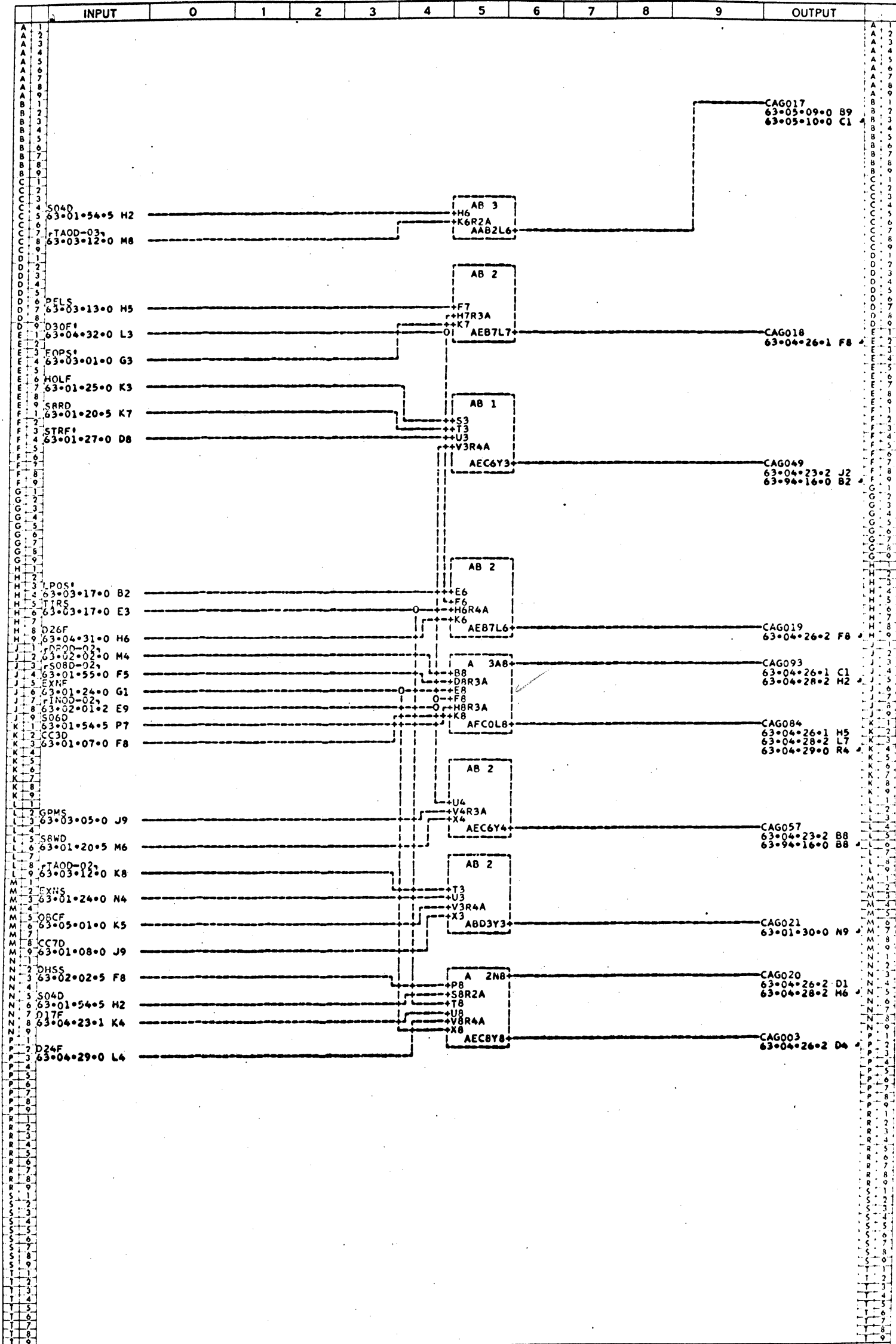
U	2	TITLE	D	REGISTER	FF	D20F	H-	11203987AA	ELECTRODATA	Burroughs Corporation	PASADENA	U	2	
U	4	DRAWN BY	S	SMITH	CHECKED BY	DUDLEY SHEPHERD			M & E DIVISION		CALIFORNIA	U	4	
U	6	UNIT NAME	INPUT-OUTPUT CONTROL UNIT MODEL 3				UNIT NO.	16303125	PROPERTY OF BURROUGHS CORPORATION NOT TO BE REPRODUCED, NOR USED FOR MANUFACTURING PURPOSES, EXCEPT ON BURROUGHS ORDER OR PRIOR WRITTEN CONSENT				U	6
U	8	SYSTEM	B9599				PAGE NO.	63-04-26-1					U	8

LOGIC SCHEMATIC



INPUT	0	1	2	3	4	5	6	7	8	9	OUTPUT	
U 2	TITLE D REGISTER 20JD DRIVER										U 2	
U 4	DRAWN BY ROLLIN MANN		CHECKED BY DUDLEY SHEPHERD		H- 11203999A		ELECTRODATA			Burroughs Corporation PASADENA CALIFORNIA		U 4
U 6	UNIT NAME INPUT-OUTPUT CONTROL UNIT MODEL 3					UNIT NO. 16303125		PROPERTY OF BURROUGHS CORPORATION - NOT TO BE REPRODUCED, NOR USED FOR MANUFACTURING PURPOSES, EXCEPT ON BURROUGHS ORDER OR PRIOR WRITTEN CONSENT				U 6
U 8	SYSTEM B2500		PAGE NO. 63-04-26-2									U 8

LOGIC SCHEMATIC



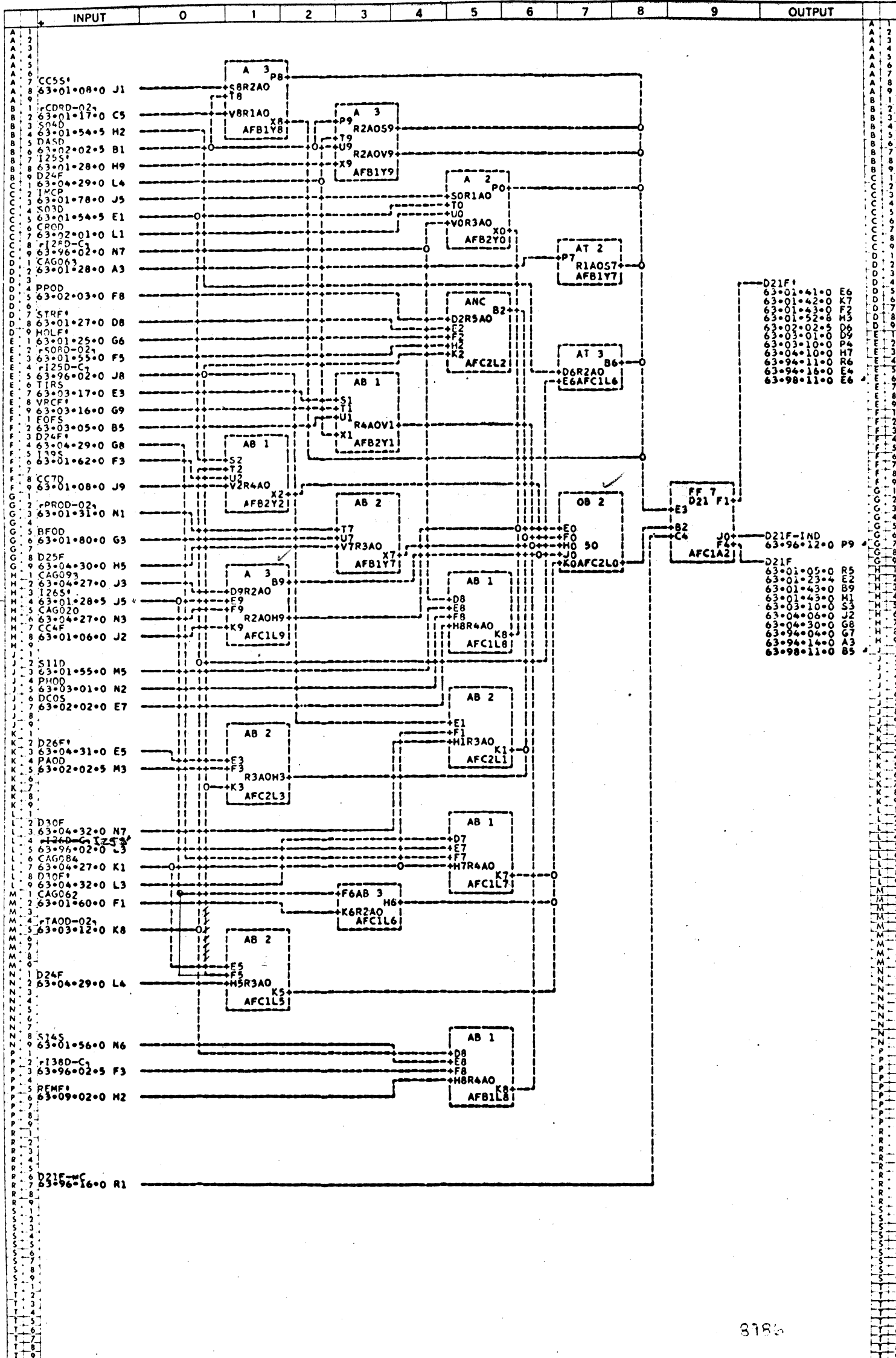
INPUT	0	1	2	3	4	5	6	7	8	9	OUTPUT
U 2	TITLE D REGISTER CAG'S 3-20-21-49-57-84-93 H- 11203403AE										U 2
U 4	DRAWN BY R J MILLER 8-16-61 CHECKED BY SNODGRASS 8-19-61										U 4
U 6	UNIT NAME INPUT-OUTPUT CONTROL UNIT MODEL 3 UNIT NO. 16303125										U 6
U 8	SYSTEM B5500 PAGE NO. 63-04-27-0										U 8

ELECTRODATA **Burroughs Corporation** **PASADENA CALIFORNIA**

M & E DIVISION

PROPERTY OF BURROUGHS CORPORATION. NOT TO BE REPRODUCED, NOR USED FOR MANUFACTURING PURPOSES, EXCEPT ON BURROUGHS ORDER OR PRIOR WRITTEN CONSENT.

LOGIC SCHEMATIC

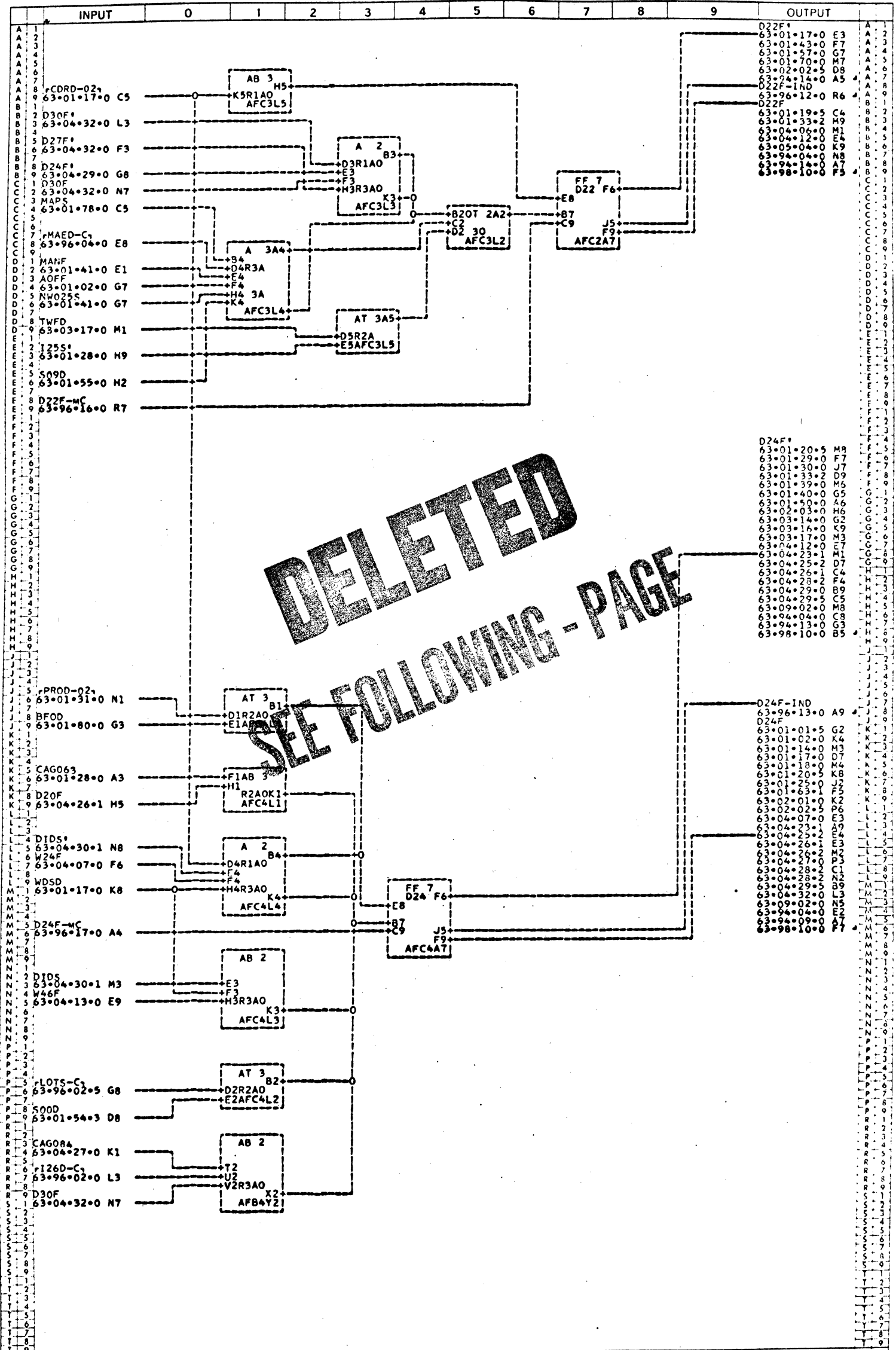


8186

INPUT	0	1	2	3	4	5	6	7	8	9	OUTPUT
U 2	TITLE D REGISTER FF D21F										U 2
U 4	DRAWN BY STANLEY SMITH										U 4
U 6	UNIT NAME INPUT-OUTPUT CONTROL UNIT MODEL 3										U 6
U 8	SYSTEM B5500										U 8

ELECTRODATA M & E DIVISION **Burroughs Corporation** PASADENA CALIFORNIA
 PROPERTY OF BURROUGHS CORPORATION NOT TO BE REPRODUCED, NOR USED FOR MANUFACTURING PURPOSES, EXCEPT ON BURROUGHS ORDER OR PRIOR WRITTEN CONSENT.

LOGIC SCHEMATIC



INPUT	0	1	2	3	4	5	6	7	8	9	OUTPUT
U 2	TITLE D REGISTER FF'S D22F-D24F										U 2
U 4	DRAWN BY ZINES										U 4
U 6	UNIT NAME INPUT-OUTPUT CONTROL UNIT MODEL 3										U 6
U 8	SYSTEM B5500										U 8

ELECTRODATA
M&E DIVISION

PROPERTY OF BURROUGHS CORPORATION NOT TO BE REPRODUCED, NOR USED FOR
MANUFACTURING PURPOSES, EXCEPT ON BURROUGHS ORDER OR PRIOR WRITTEN CONSENT

Burroughs Corporation

PASADENA
CALIFORNIA

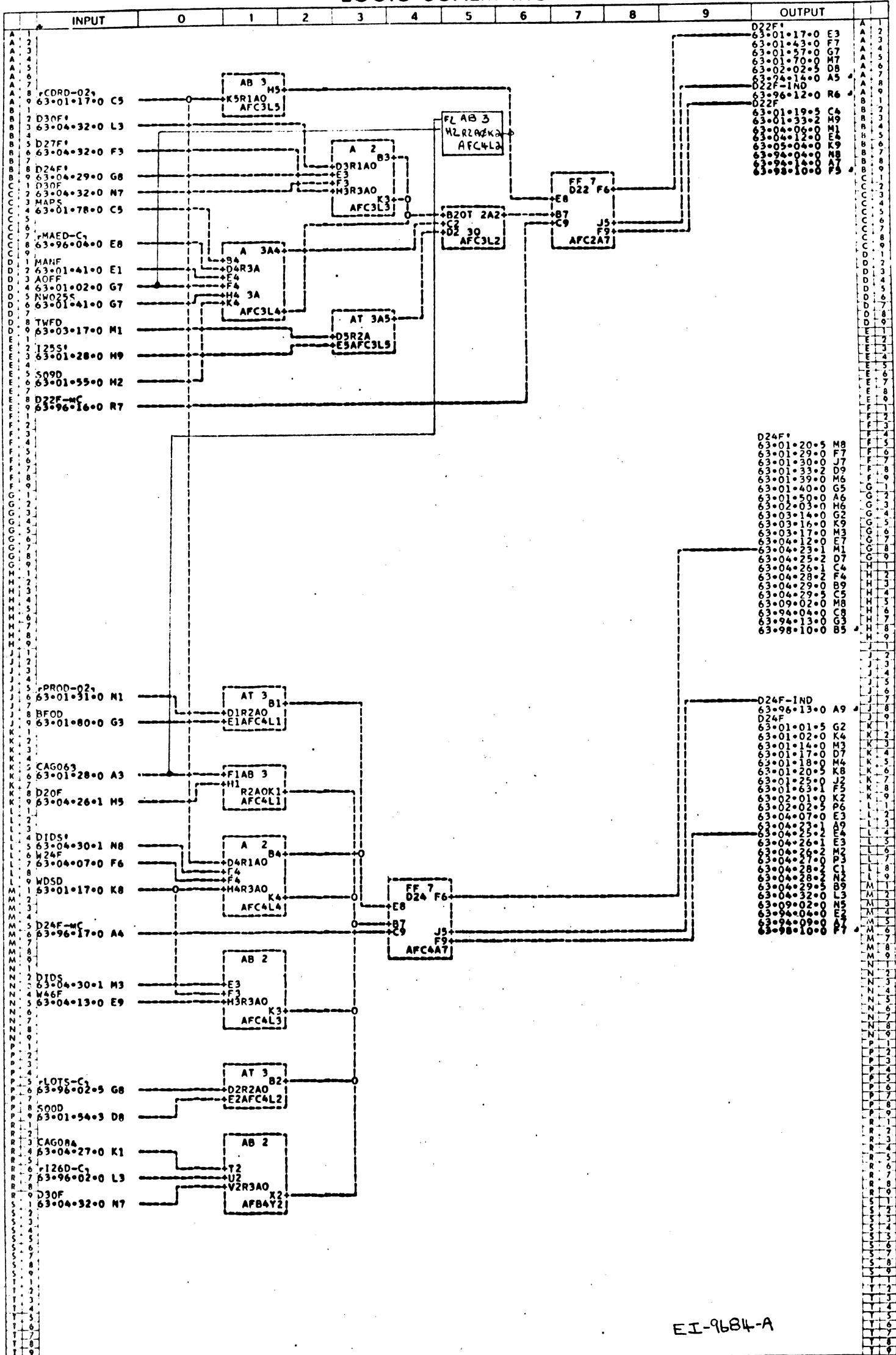
M- 11203429AB

8-19-61

UNIT NO. 16303125

PAGE NO. 63-04-29-0

LOGIC SCHEMATIC



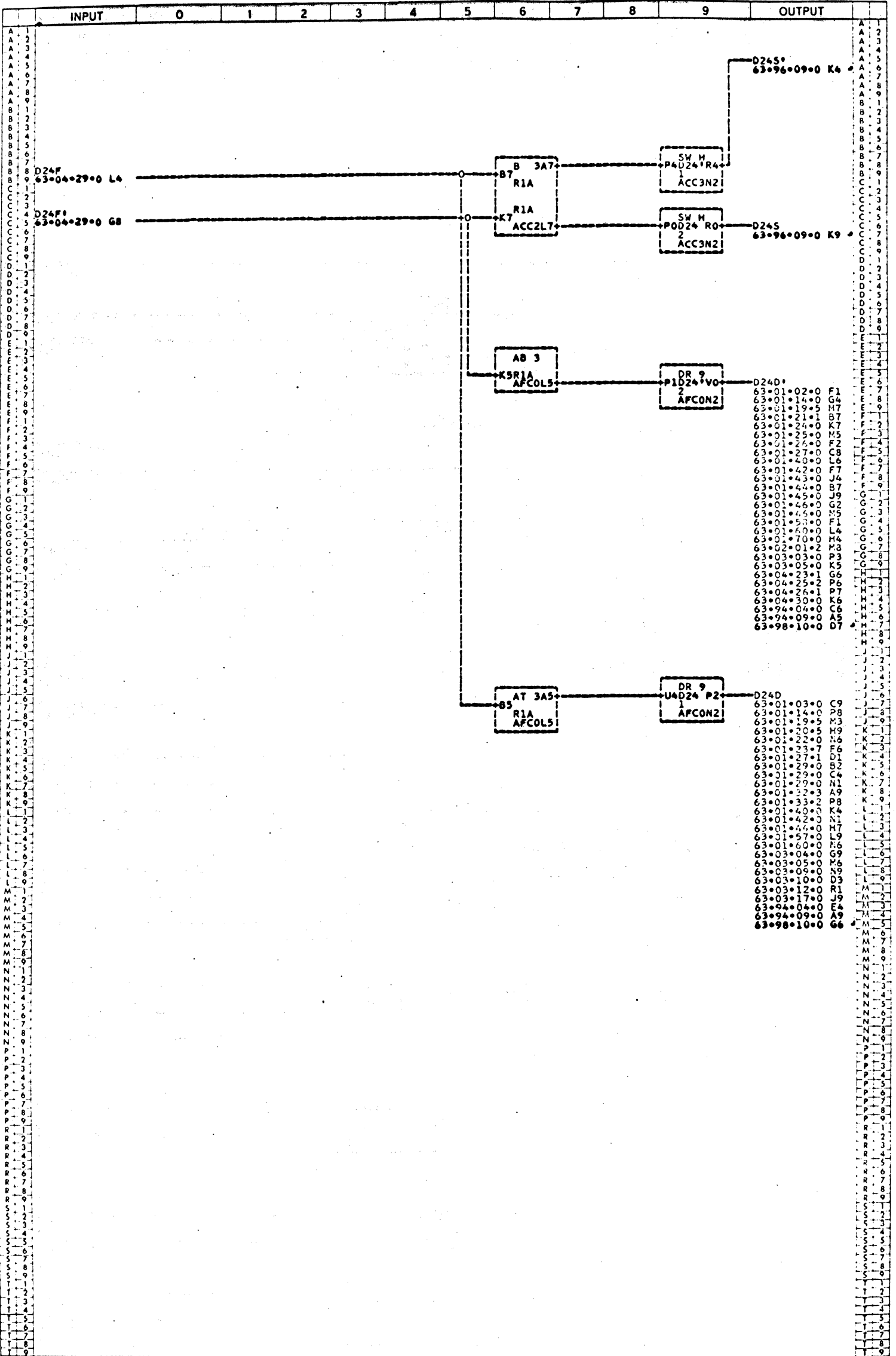
EI-9684-A

INPUT	0	1	2	3	4	5	6	7	8	9	OUTPUT
U 2	TITLE D REGISTER FF'S D22F-D24F										U 2
U 4	DRAWN BY ZINES										U 4
U 6	UNIT NAME INPUT-OUTPUT CONTROL UNIT MODEL 3										U 6
U 8	SYSTEM 85900										U 8

Burroughs Corporation
 ELECTRODATA M & E DIVISION PASADENA CALIFORNIA
 PROPERTY OF BURROUGHS CORPORATION NOT TO BE REPRODUCED, NOR USED FOR MANUFACTURING PURPOSES, EXCEPT ON BURROUGHS ORDER OR PRIOR WRITTEN CONSENT

H- 11203429AB
 CHECKED BY SNOODGRASS 8-19-61
 UNIT NO. 1609125
 PAGE NO. 63-04-29-0

LOGIC SCHEMATIC



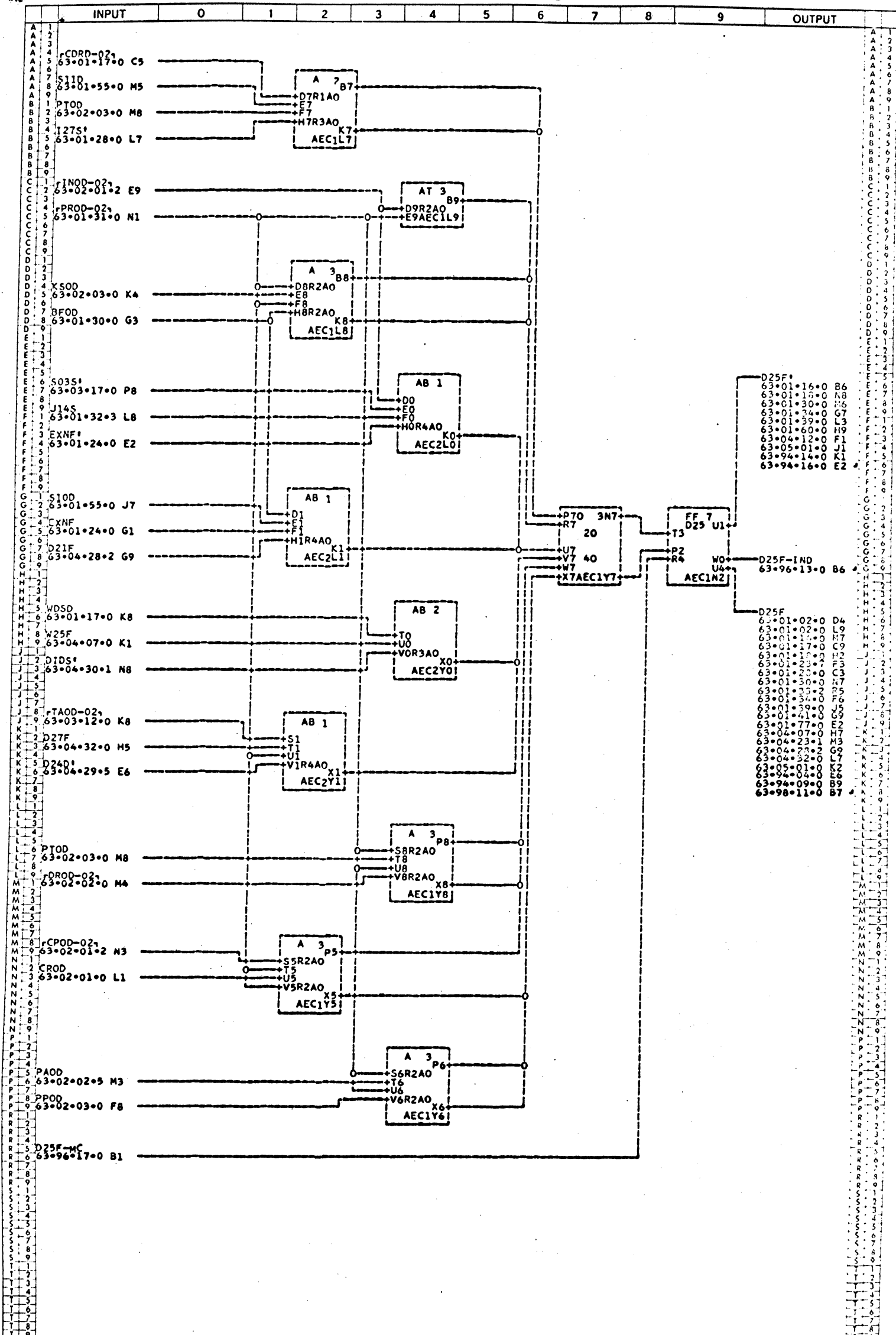
U 2	INPUT	0	1	2	3	4	5	6	7	8	9	OUTPUT	U 2
U 4	TITLE D REGISTER DR'S AND SW'S D245 D24S D24D D24D H- 11203437AA												U 4
U 6	DRAWN BY S SMITH CHECKED BY DUDLEY SHEPHERD												U 6
U 8	UNIT NAME INPUT-OUTPUT CONTROL UNIT MODEL 3 UNIT NO. 16303125												U 8
	SYSTEM B5500 PAGE NO. 63-04-29-5												

ELECTRODATA **Burroughs Corporation** PASADENA CALIFORNIA

M&E DIVISION

PROPERTY OF BURROUGHS CORPORATION NOT TO BE REPRODUCED, NOR USED FOR MANUFACTURING PURPOSES, EXCEPT ON BURROUGHS ORDER OR PRIOR WRITTEN CONSENT

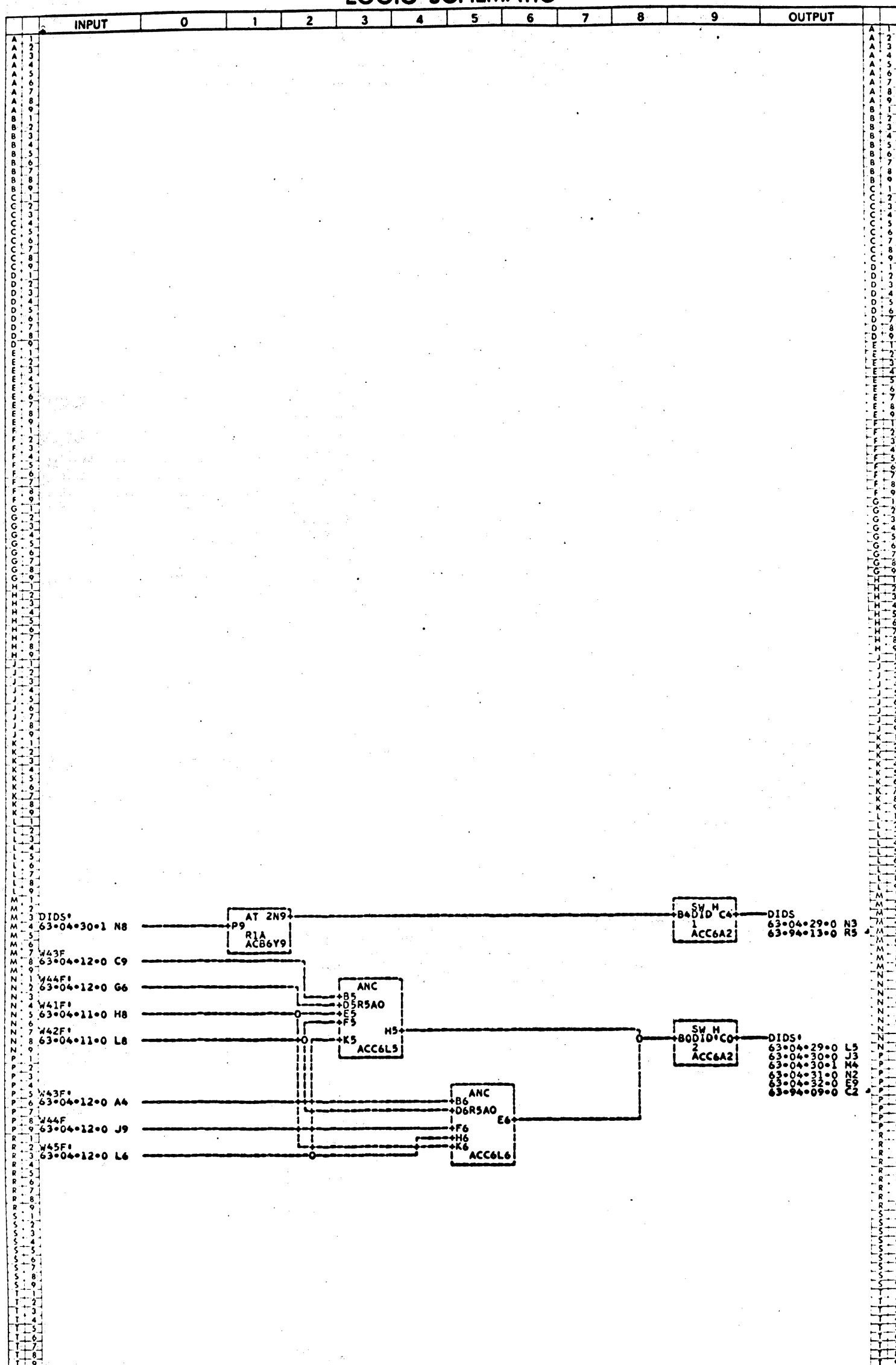
LOGIC SCHEMATIC



INPUT	0	1	2	3	4	5	6	7	8	9	OUTPUT
U 2	TITLE D REGISTER FF-D25F										U 2
U 4	DRAWN BY C DOOLING										U 4
U 6	SYSTEM NAME INPUT-OUTPUT CONTROL UNIT MODEL 3										U 6
U 8	UNIT NO. 16303125										U 8
PAGE NO. 63-04-30-0											

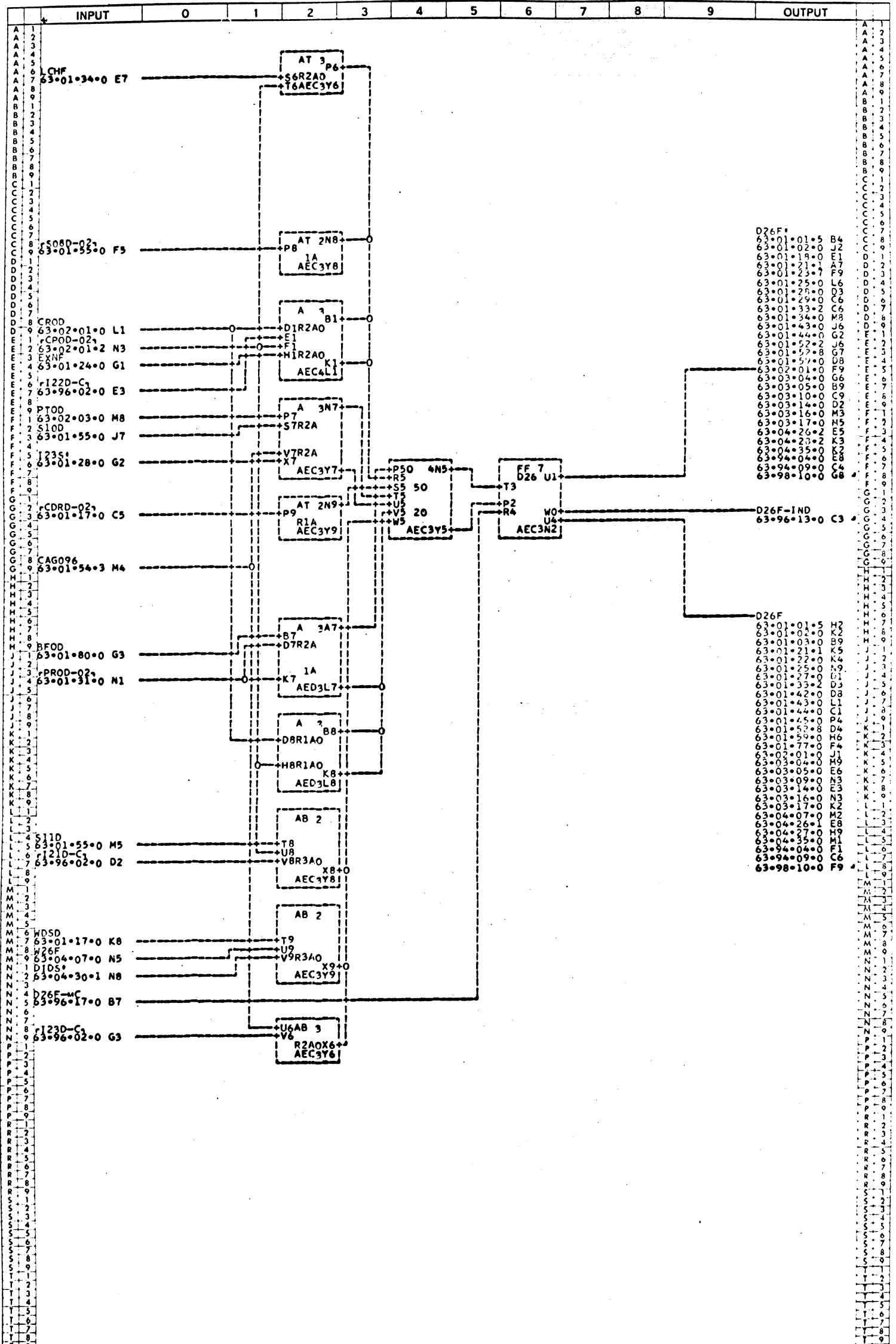
Burroughs Corporation
 ELECTRODATA M&E DIVISION PASADENA CALIFORNIA
 PROPERTY OF BURROUGHS CORPORATION NOT TO BE REPRODUCED, NOR USED FOR MANUFACTURING PURPOSES, EXCEPT ON BURROUGHS ORDER OR PRIOR WRITTEN CONSENT

LOGIC SCHEMATIC



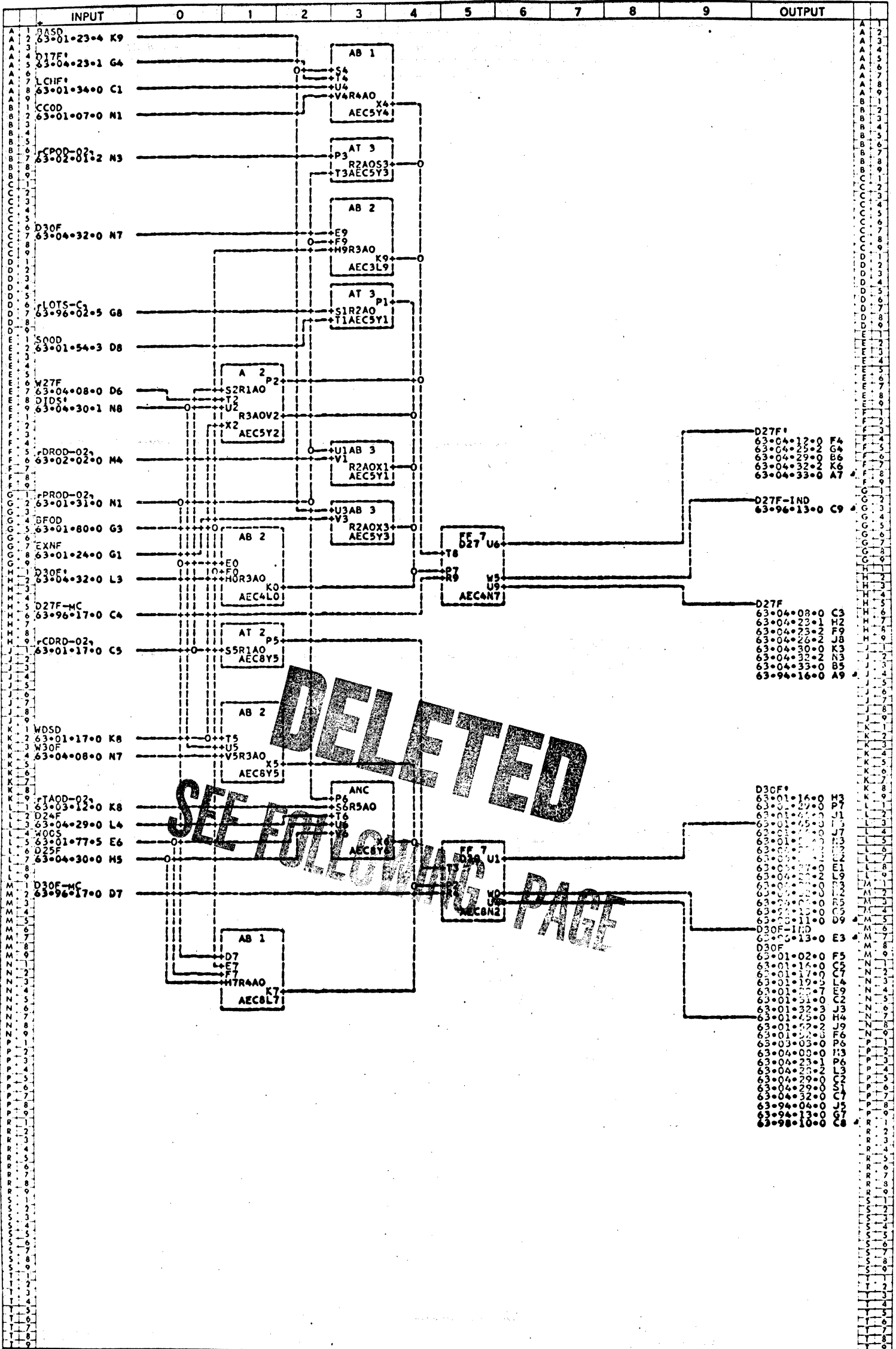
	INPUT	0	1	2	3	4	5	6	7	8	9	OUTPUT	
U 2	TITLE D REGISTER DIDS - DIDS* M- 11203445AE											U 2	
U 4	DRAWN BY ROLLIN MANN				CHECKED BY DUDLEY SHEPHERD				PASADENA CALIFORNIA				U 4
U 6	UNIT NAME INPUT-OUTPUT CONTROL UNIT MODEL 3						UNIT NO. 16303129						U 6
U 8	SYSTEM B5200 PAGE NO. 63*04*30*1											U 8	

LOGIC SCHEMATIC



	INPUT	0	1	2	3	4	5	6	7	8	9	OUTPUT
U 2	TITLE D REGISTER PF D26F											
U 4	DRAWN BY M MOGLE											
U 6	UNIT NAME INPUT-OUTPUT CONTROL UNIT MODEL 3											
U 8	SYSTEM 88800											
	M- 11203492AB CHECKED BY SNOODGRASS 8-21-61 UNIT NO. 16303125 PAGE NO. 63-04-31-0											
	ELECTRODATA M & E DIVISION											
	Burroughs Corporation PASADENA CALIFORNIA											
	PROPERTY OF BURROUGHS CORPORATION NOT TO BE REPRODUCED, NOR USED FOR MANUFACTURING PURPOSES, EXCEPT ON BURROUGHS ORDER OR PRIOR WRITTEN CONSENT.											

LOGIC SCHEMATIC

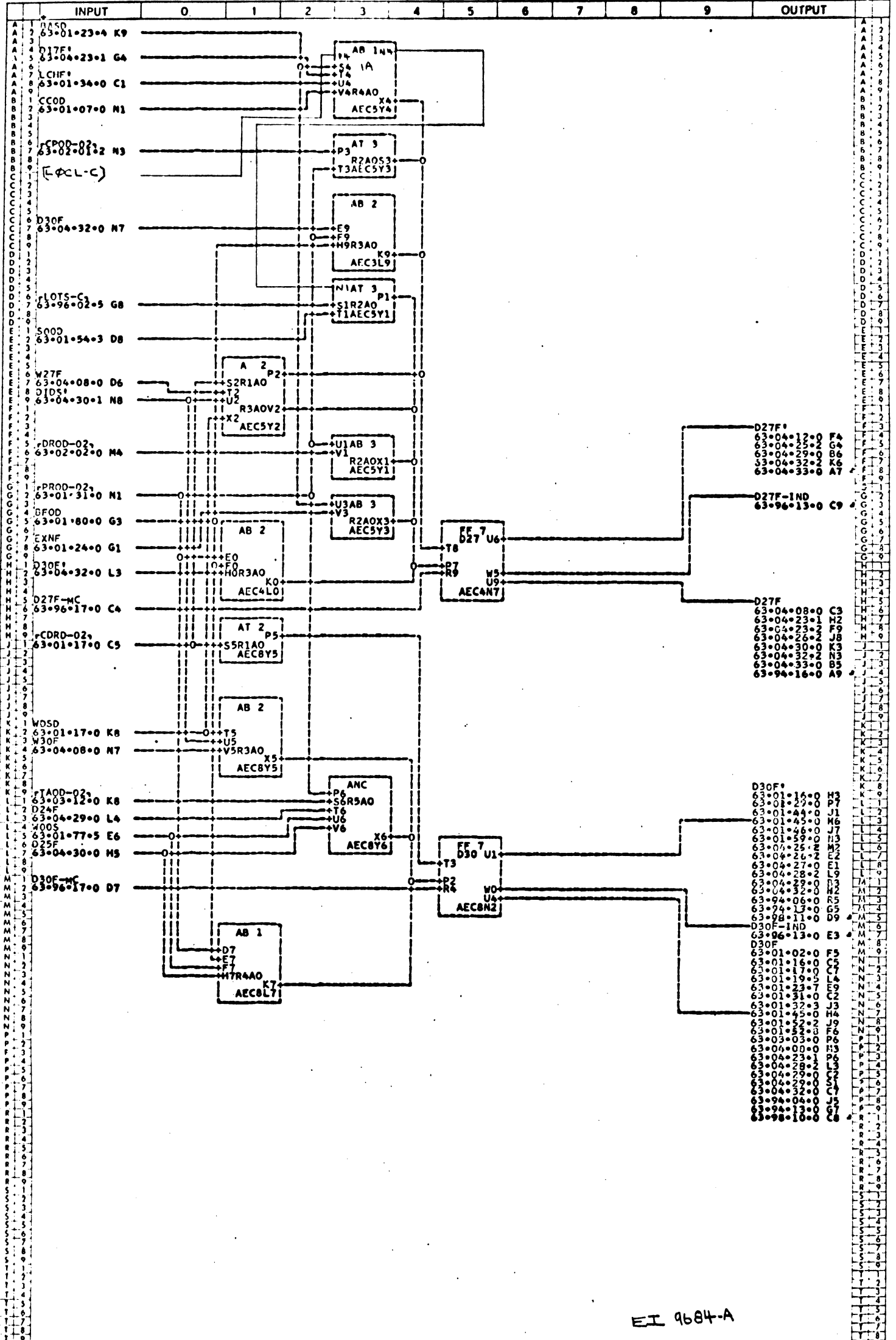


DELETED

SEE FOLLOWING PAGE

INPUT	0	1	2	3	4	5	6	7	8	9	OUTPUT
U 2	TITLE D REGISTER FF'S D27F-D30F										U 2
U 4	DRAWN BY ZINES										U 4
U 6	UNIT NAME INPUT-OUTPUT CONTROL UNIT MODEL 3										U 6
U 8	SYSTEM B5500										U 8

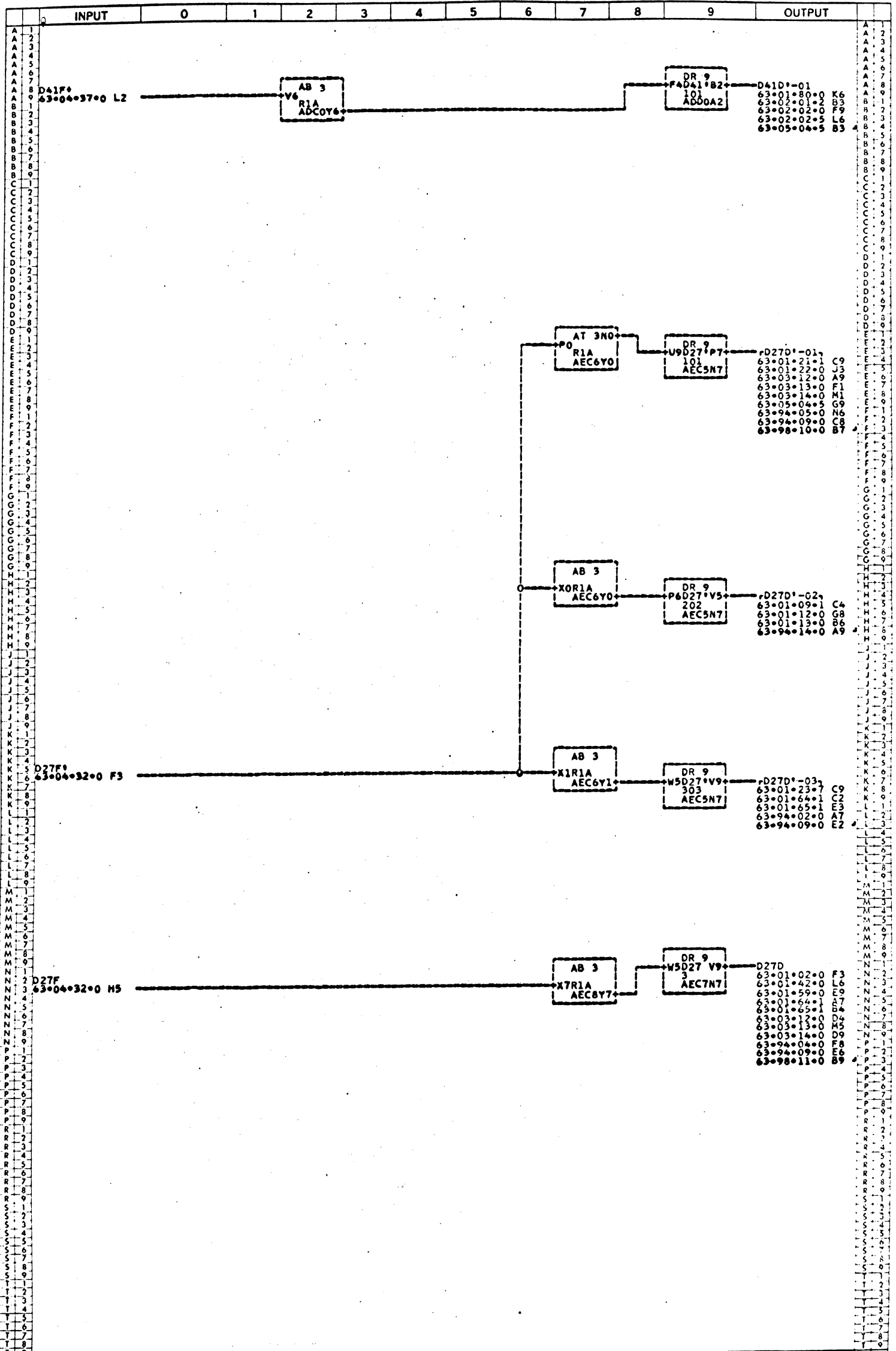
LOGIC SCHEMATIC



EI 9684-A

INPUT	0	1	2	3	4	5	6	7	8	9	OUTPUT
U 2	TITLE D REGISTER FF'S D27F-D30F										U 2
U 4	DRAWN BY ZINES										U 4
U 6	UNIT NAME INPUT-OUTPUT CONTROL UNIT MODEL 3										U 6
U 8	SYSTEM B590D										U 8
H- 11209460AE CHECKED BY SMOGRASS 8-21-61 UNIT NO. 16303125 PAGE NO. 63-04-32-0											
ELECTRODATA Burroughs Corporation PASADENA M & E DIVISION CALIFORNIA PROPERTY OF BURROUGHS CORPORATION. NOT TO BE REPRODUCED, NOR USED FOR MANUFACTURING PURPOSES, EXCEPT ON BURROUGHS ORDER OR PRIOR WRITTEN CONSENT.											

LOGIC SCHEMATIC

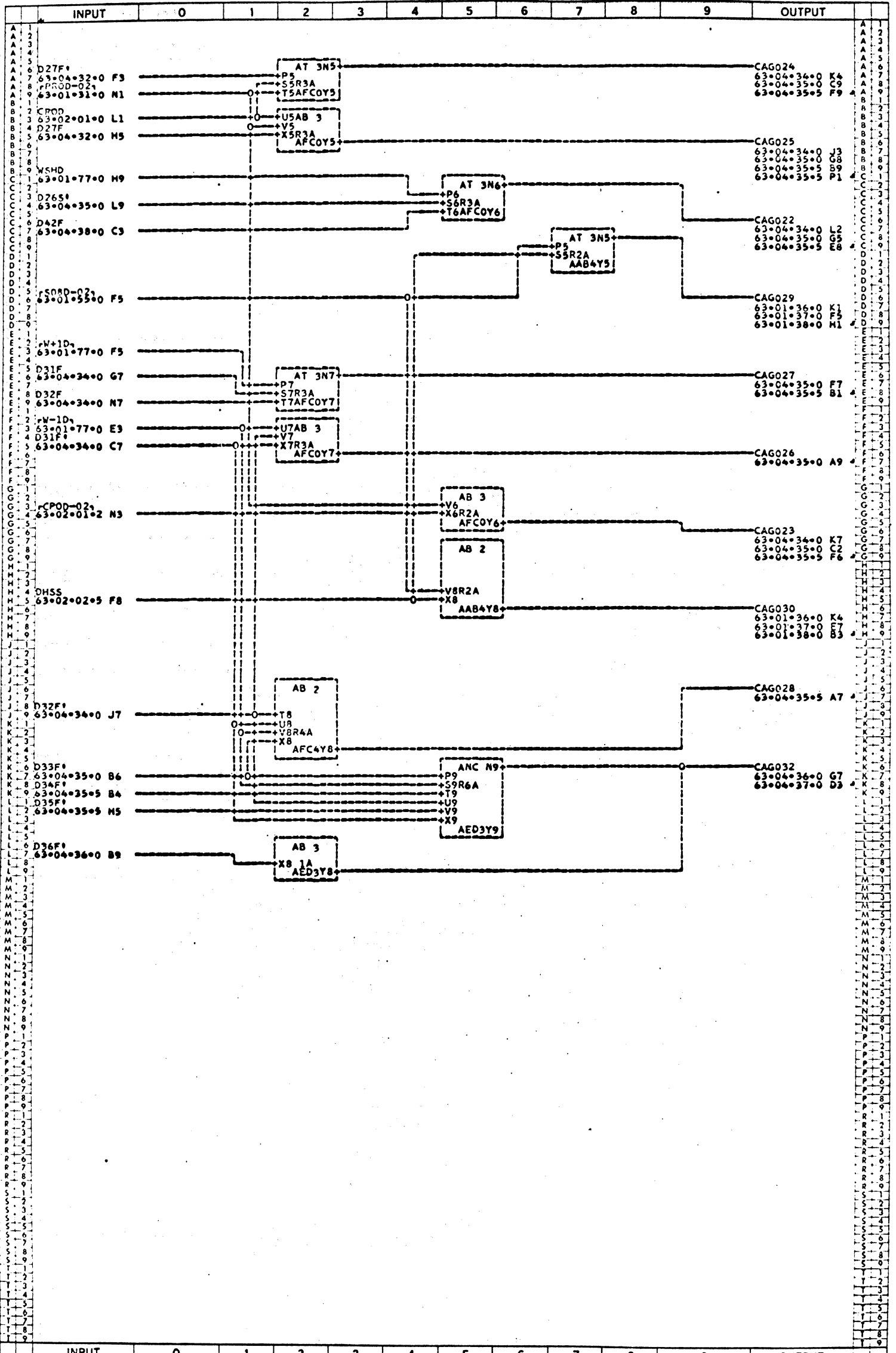


	INPUT	0	1	2	3	4	5	6	7	8	9	OUTPUT
U 2	TITLE D REGISTER DRIVERS D27D-D27D*-01-02-03											M- 11203478AA
U 4	DRAWN BY S SMITH											CHECKED BY DUDLEY SHEPHERD
U 6	UNIT NAME INPUT-OUTPUT CONTROL UNIT MODEL 3											UNIT NO. 16303125
U 8	SYSTEM B5500											PAGE NO. 63*04*32*2

ELECTRODATA **Burroughs Corporation** **PASADENA CALIFORNIA**
 M & E DIVISION

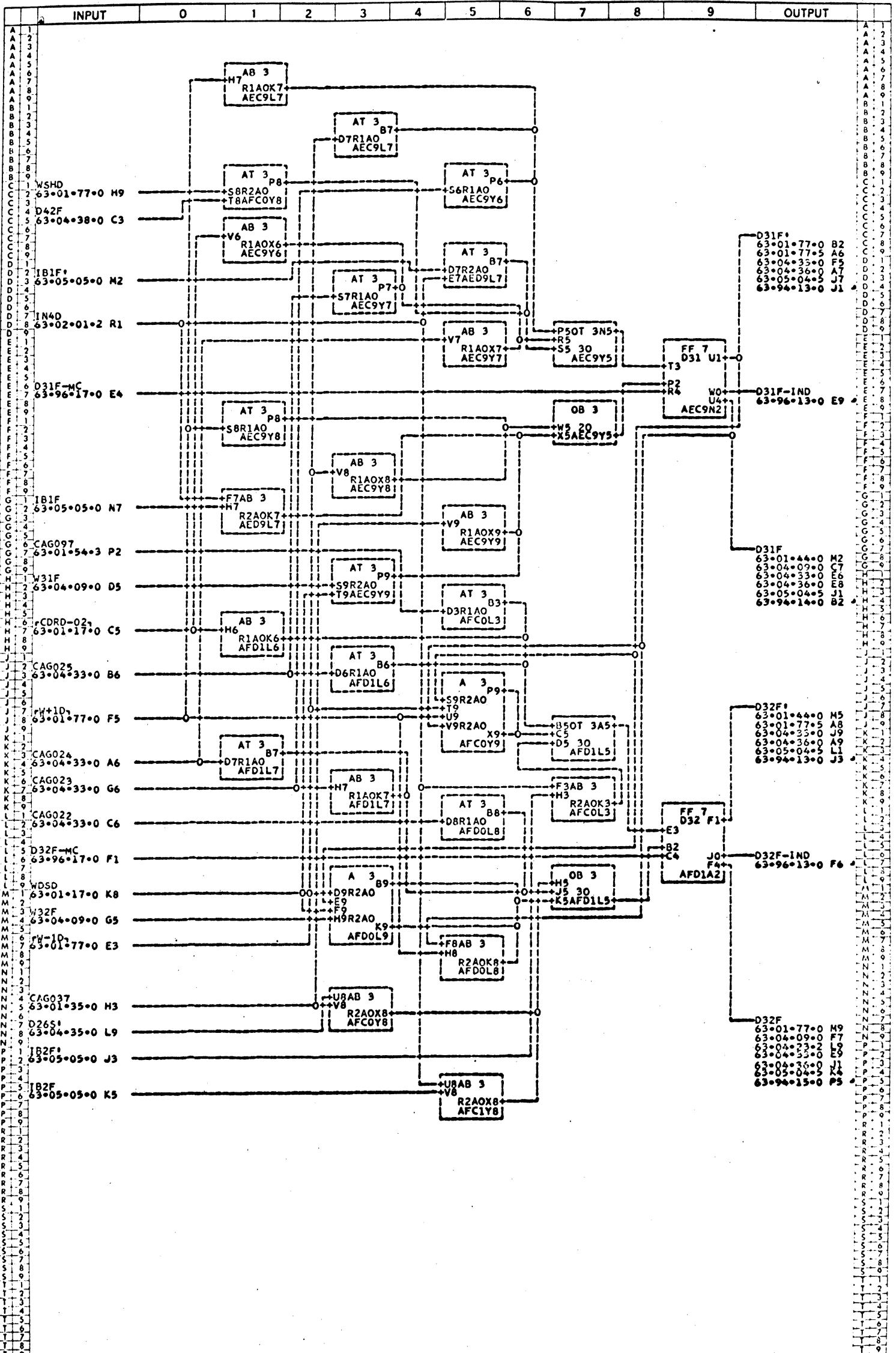
PROPERTY OF BURROUGHS CORPORATION NOT TO BE REPRODUCED, NOR USED FOR MANUFACTURING PURPOSES, EXCEPT ON BURROUGHS ORDER OR PRIOR WRITTEN CONSENT.

LOGIC SCHEMATIC



U 2	TITLE D REGISTER CAG'S 022-032	M- 11203486AA	ELECTRODATA	Burroughs Corporation	PASADENA CALIFORNIA
U 4	DRAWN BY ZINES	CHECKED BY SNODGRASS 8-21-61	M&E DIVISION	3	
U 6	UNIT NAME INPUT-OUTPUT CONTROL UNIT MODEL 3	UNIT NO. 16303125	PROPERTY OF BURROUGHS CORPORATION NOT TO BE REPRODUCED, NOR USED FOR MANUFACTURING PURPOSES, EXCEPT ON BURROUGHS ORDER OR PRIOR WRITTEN CONSENT.		
U 8	SYSTEM B5500	PAGE NO. 63*04*33*0			

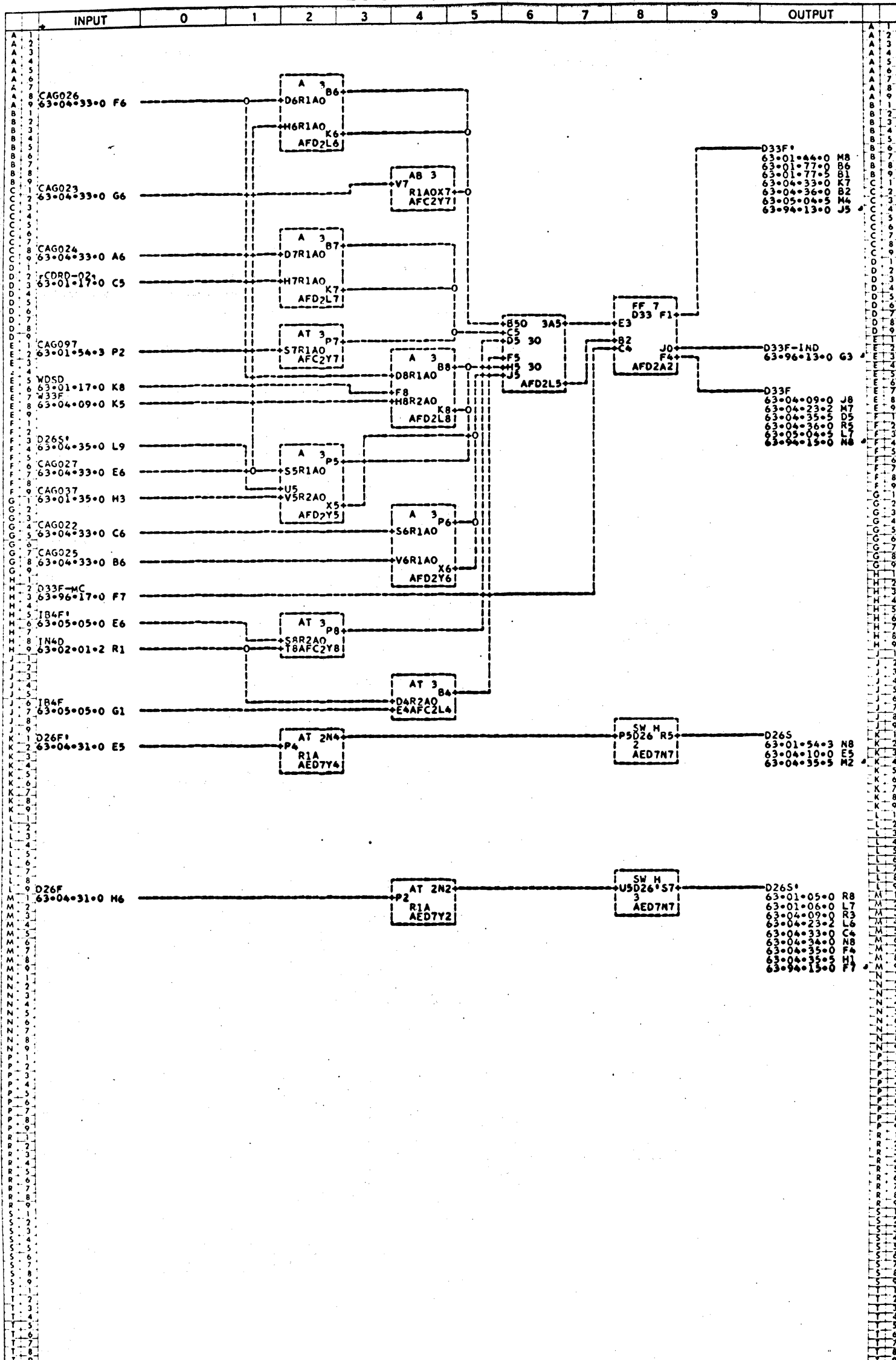
LOGIC SCHEMATIC



	INPUT	0	1	2	3	4	5	6	7	8	9	OUTPUT
U 2	TITLE D REGISTER FF'S D31F-D32F M- 11203494AC											
U 4	DRAWN BY R R BUNTON 8-21-61 CHECKED BY SNOODGRASS 8-22-61											
U 6	UNIT NAME INPUT-OUTPUT CONTROL UNIT MODEL 3 UNIT NO. 16303125											
U 8	SYSTEM B5500 PAGE NO. 63-04-34-0											

ELECTRODATA **Burroughs Corporation** PASADENA CALIFORNIA
 M&E DIVISION
 PROPERTY OF BURROUGHS CORPORATION NOT TO BE REPRODUCED, NOR USED FOR MANUFACTURING PURPOSES, EXCEPT ON BURROUGHS ORDER OR PRIOR WRITTEN CONSENT

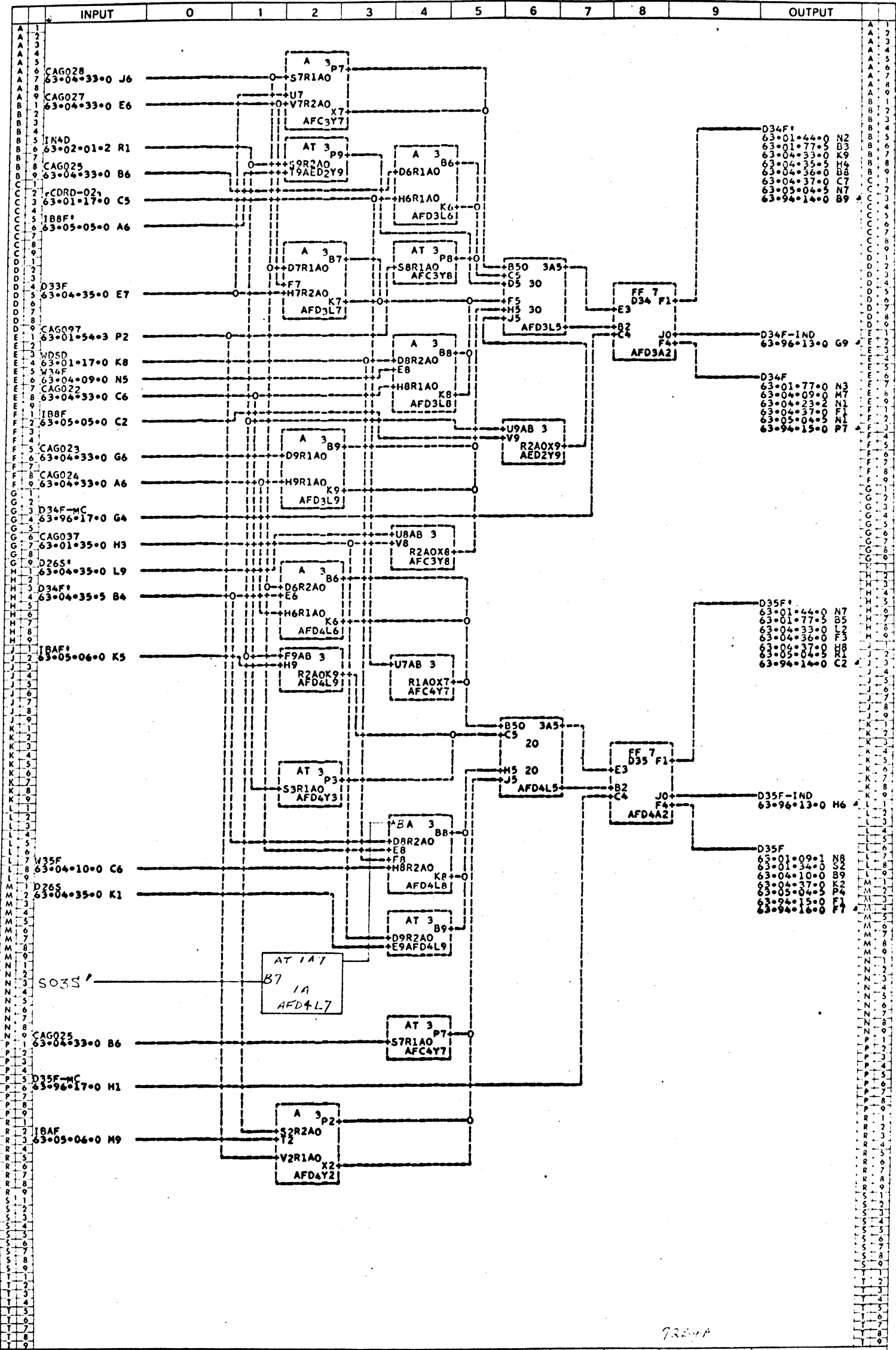
LOGIC SCHEMATIC



INPUT	0	1	2	3	4	5	6	7	8	9	OUTPUT
U 2	TITLE D REGISTER FF 033F										U 2
U 4	DRAWN BYR WILLIAMS 17 AUG 61 CHECKED BY SNOOGRASS 8-21-61										U 4
U 6	UNIT NAME INPUT-OUTPUT CONTROL UNIT MODEL 3										U 6
U 8	SYSTEM A5500										U 8

ELECTRODATA **Burroughs Corporation** **PASADENA**
M&E DIVISION **CALIFORNIA**
PROPERTY OF BURROUGHS CORPORATION NOT TO BE REPRODUCED, NOR USED FOR MANUFACTURING PURPOSES EXCEPT ON BURROUGHS ORDER OR PRIOR WRITTEN CONSENT

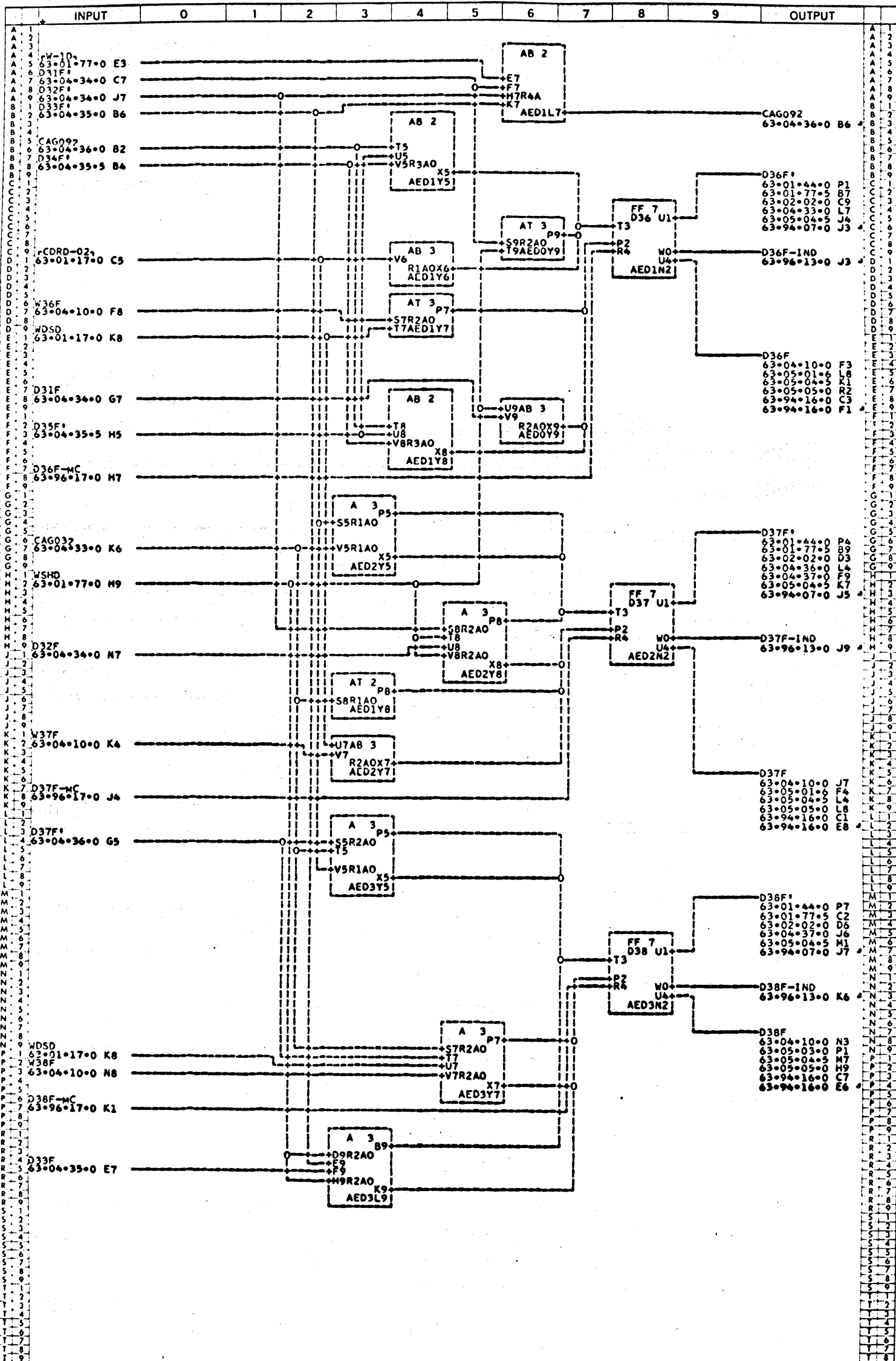
LOGIC SCHEMATIC



INPUT	0	1	2	3	4	5	6	7	8	9	OUTPUT
U 2	TITLE D REGISTER FF D34F-D35F										U 2
U 4	DRAWN BYR WILLIAMS 17 AUG 61 CHECKED BY SNODGRASS 8-21-61										U 4
U 6	UNIT NAME INPUT-OUTPUT CONTROL UNIT MODEL 3										U 6
U 8	SYSTEM B5500										U 8

Burroughs Corporation
 ELECTHODATA M & E DIVISION PASADENA CALIFORNIA
PROPERTY OF BURROUGHS CORPORATION NOT TO BE REPRODUCED, NOR USED FOR MANUFACTURING PURPOSES, EXCEPT ON BURROUGHS ORDER OR PRIOR WRITTEN CONSENT.

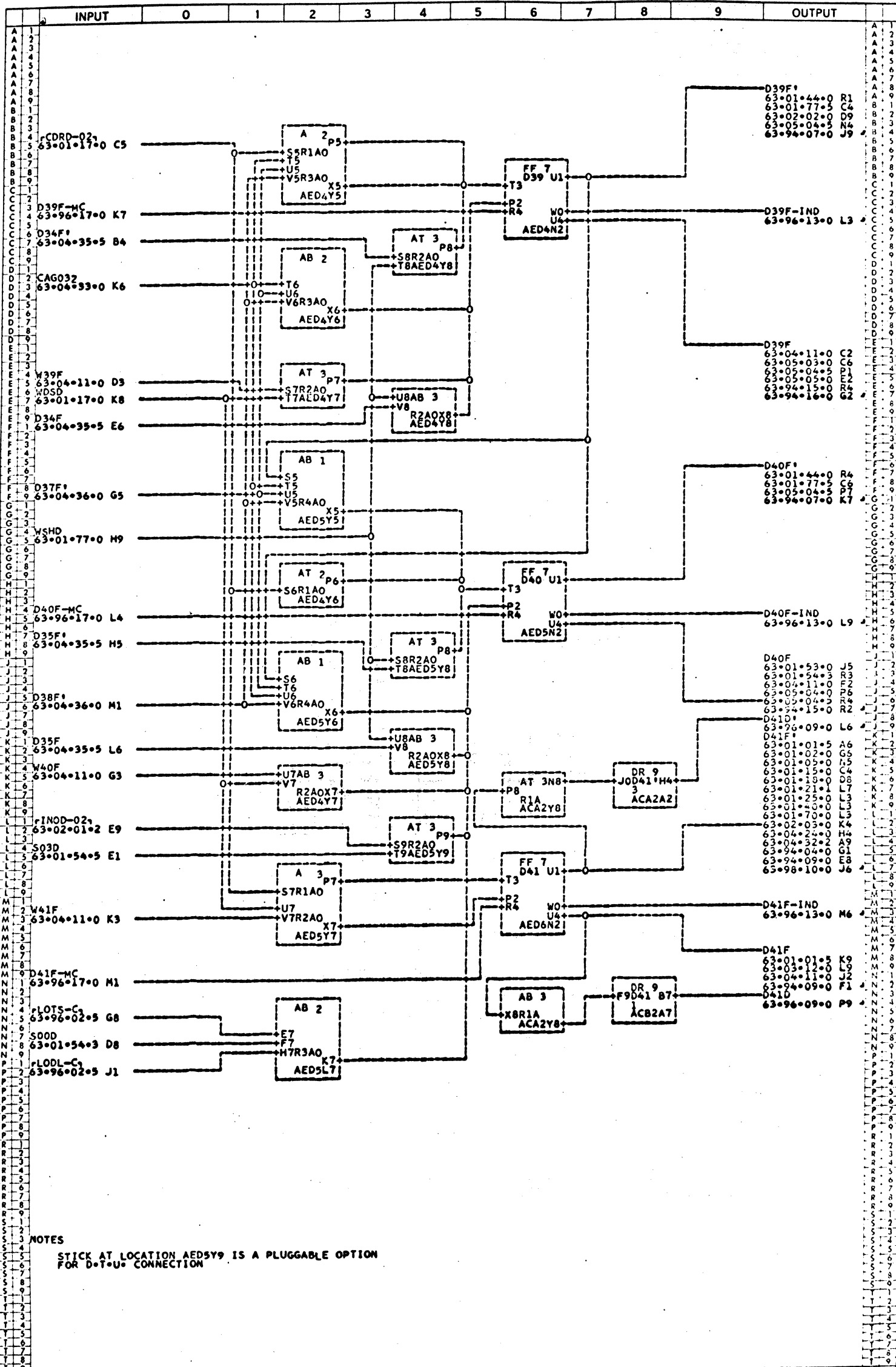
LOGIC SCHEMATIC



INPUT	0	1	2	3	4	5	6	7	8	9	OUTPUT
U 2	TITLE D REGISTER FF'S D36F-D37F-D38F-CAG092										U 2
U 4	DRAWN BY R WILLIAMS 15 AUG 61 CHECKED BY SMOGRASS										U 4
U 6	UNIT NAME INPUT-OUTPUT CONTROL UNIT MODEL 3										U 6
U 8	SYSTEM B5900										U 8

Burroughs Corporation
 ELECTRODATA M&E DIVISION PASADENA CALIFORNIA
PROPERTY OF BURROUGHS CORPORATION NOT TO BE REPRODUCED, NOR USED FOR MANUFACTURING PURPOSES, EXCEPT ON BURROUGHS ORDER OR PRIOR WRITTEN CONSENT.

LOGIC SCHEMATIC



NOTES
 STICK AT LOCATION AED5Y9 IS A PLUGGABLE OPTION FOR D.T.U. CONNECTION

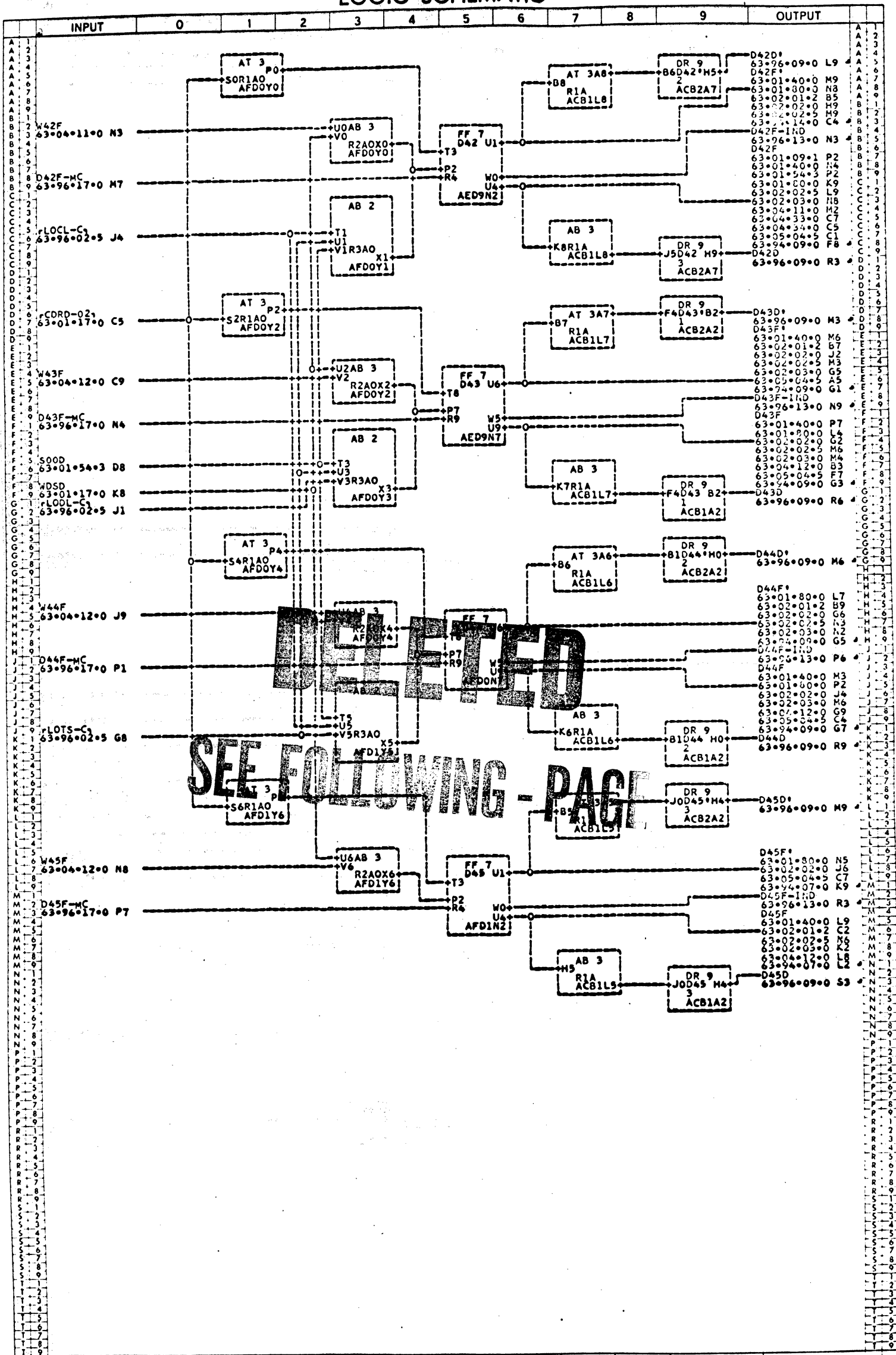
	INPUT	0	1	2	3	4	5	6	7	8	9	OUTPUT
U 2	TITLE D REGISTER FF'S D39F-D40F-D41F AND D41D DRIVERS H- 11203536AB											
U 4	DRAWN BY N MOGLE CHECKED BY SNODGRASS 8-23-61											
U 6	UNIT NAME INPUT-OUTPUT CONTROL UNIT MODEL 3 UNIT NO. 16303125											
U 8	SYSTEM B5500 PAGE NO. 63-04-3700											

Burroughs Corporation

ELECTRODATA M&E DIVISION PASADENA CALIFORNIA

PROPERTY OF BURROUGHS CORPORATION NOT TO BE REPRODUCED, NOR USED FOR MANUFACTURING PURPOSES, EXCEPT ON BURROUGHS ORDER OR PRIOR WRITTEN CONSENT

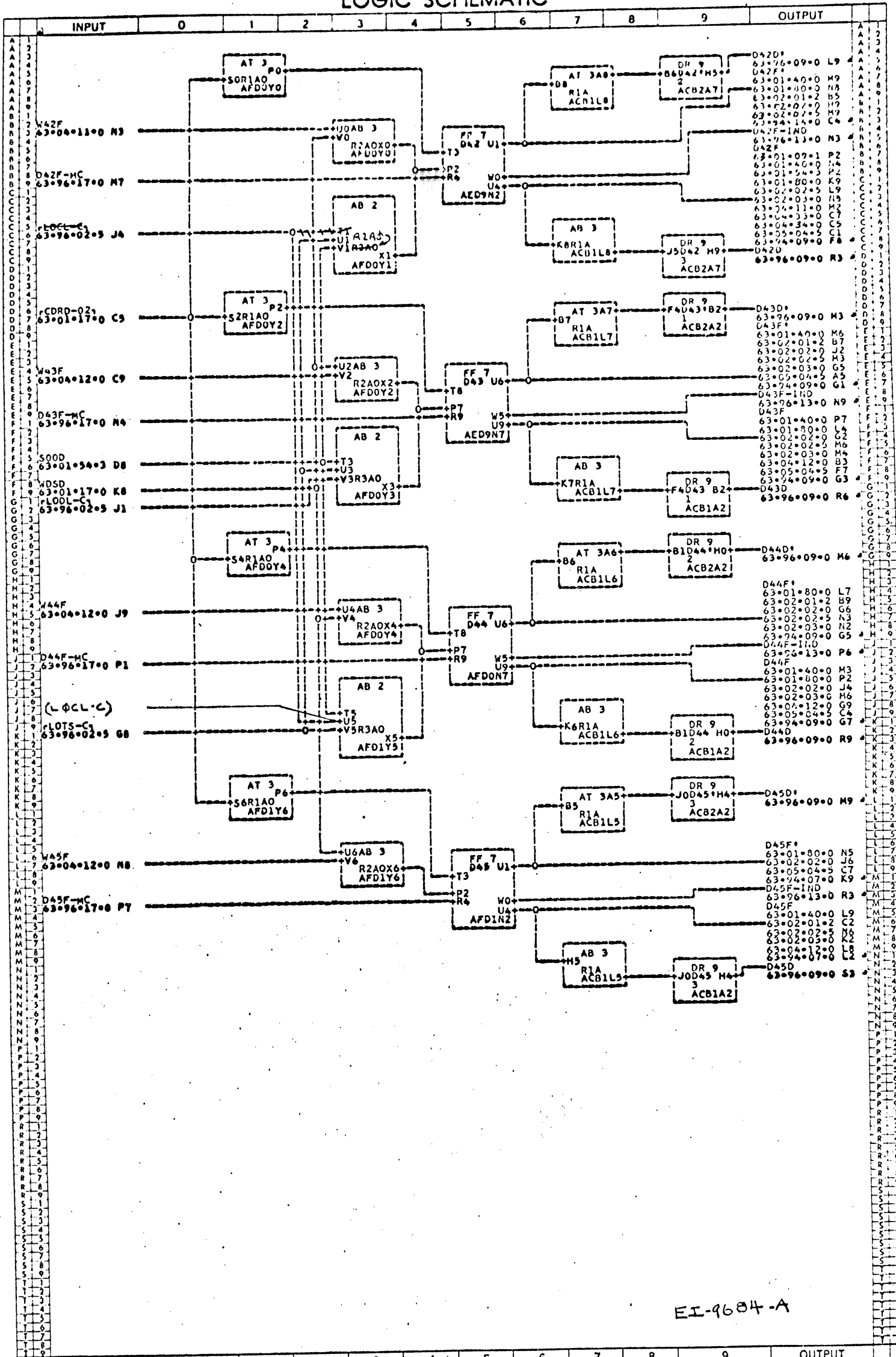
LOGIC SCHEMATIC



U 2	TITLE D REGISTER FF'S D42F-D43F-D44F-D45F AND D42D-D45D M-	11203544AA
U 4	DRAWN BY ZINES	8-18-61 CHECKED BY SNODGRASS 8-21-61
U 6	UNIT NAME INPUT-OUTPUT CONTROL UNIT MODEL 3	UNIT NO. 16303125
U 8	SYSTEM B5500	PAGE NO. 63-04-98-00

ELECTRODATA M&E DIVISION	Burroughs Corporation	PASADENA CALIFORNIA
PROPERTY OF BURROUGHS CORPORATION NOT TO BE REPRODUCED, NOR USED FOR MANUFACTURING PURPOSES, EXCEPT ON BURROUGHS ORDER OR PRIOR WRITTEN CONSENT		

LOGIC SCHEMATIC

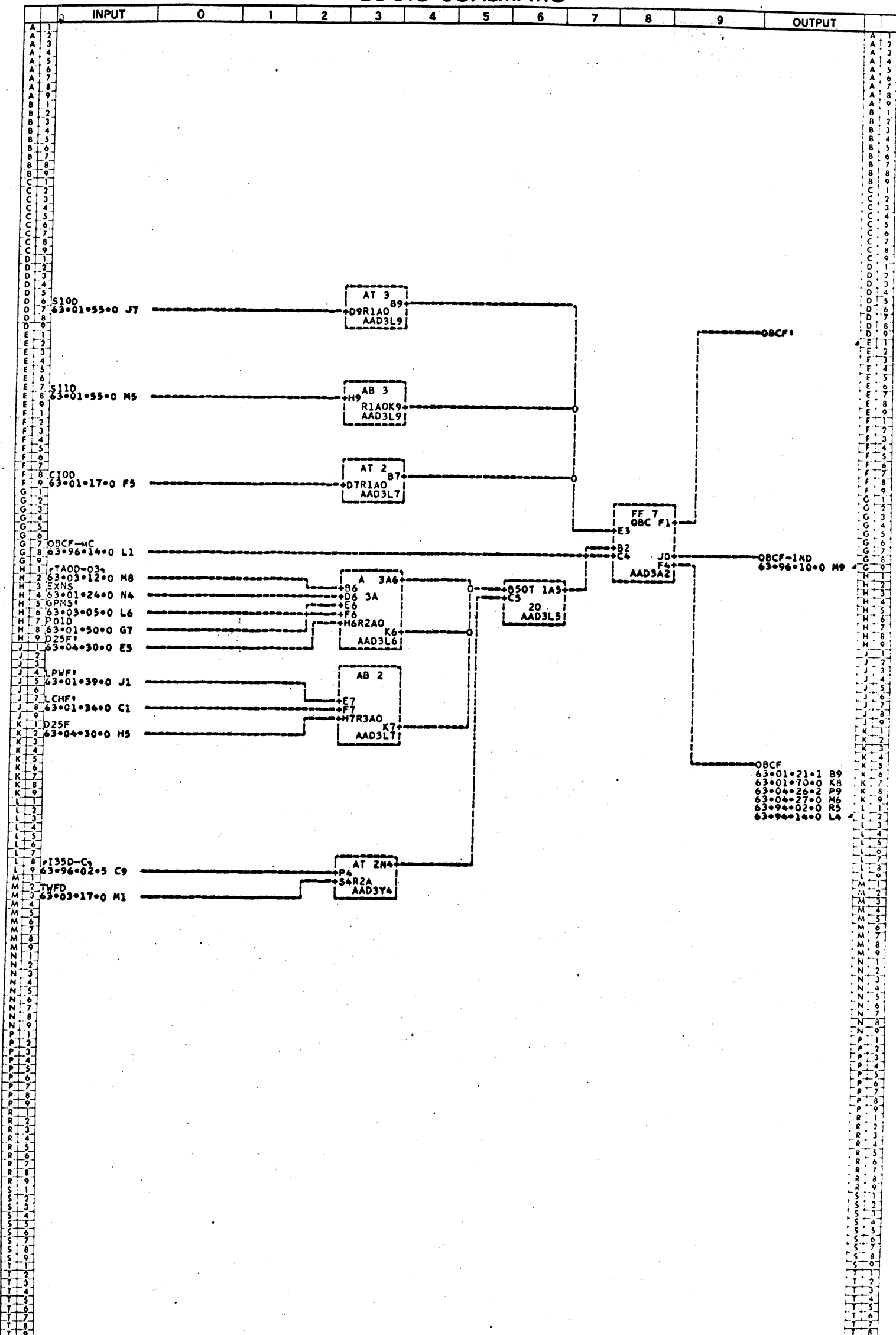


EI-9684-A

INPUT	0	1	2	3	4	5	6	7	8	9	OUTPUT
U 2	TITLE D REGISTER FF'S D42F-D43F-D44F-D45F AND D42D-D45D M- 11203544AA										U 2
U 4	DRAWN BY ZINES 8-18-61 CHECKED BY SNODGRASS 8-21-61										U 4
U 6	UNIT NAME INPUT-OUTPUT CONTROL UNIT MODEL 3 UNIT NO. 16303125										U 6
U 8	SYSTEM B3500 PAGE NO. 63-04-38-0										U 8

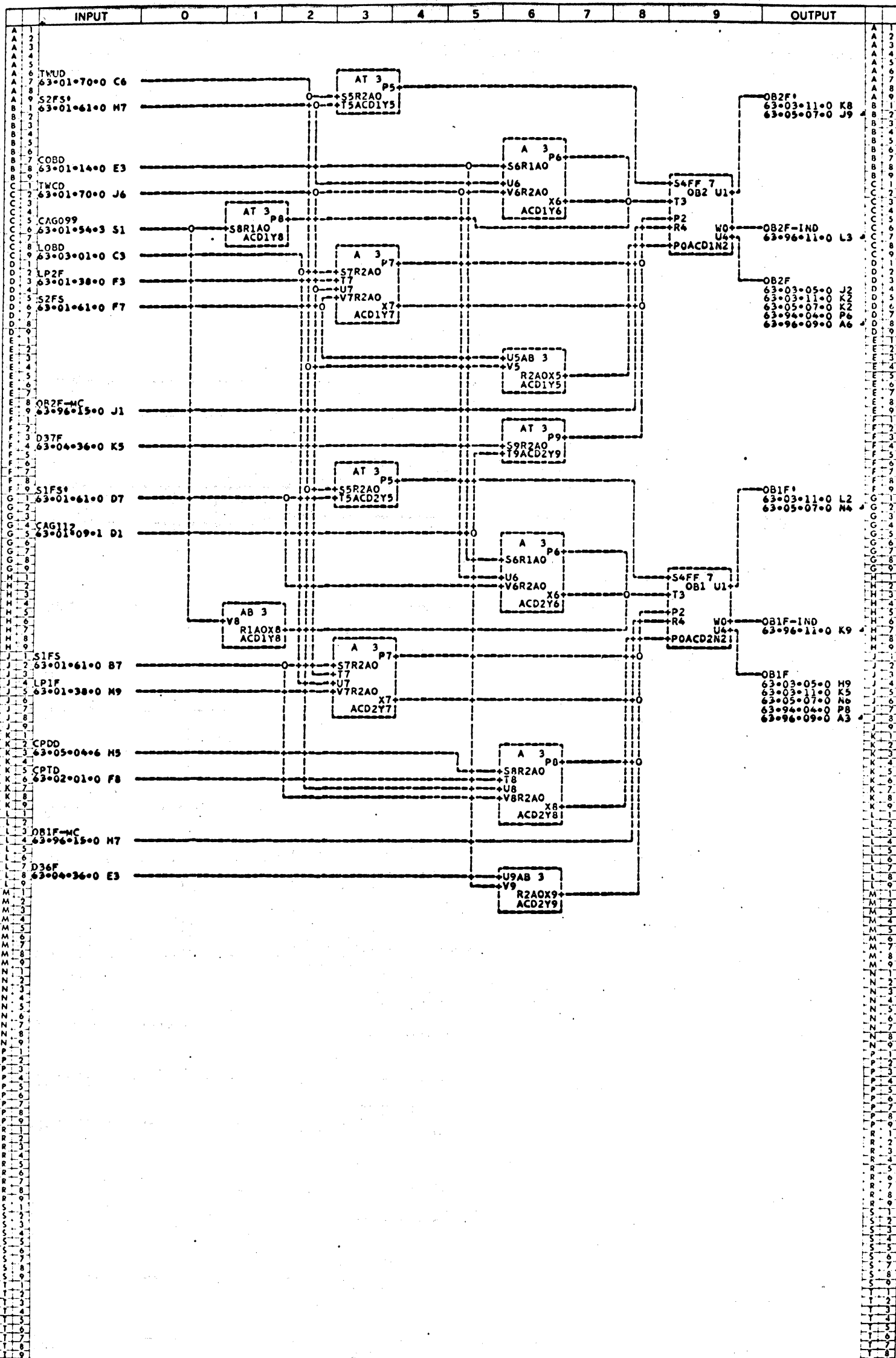
Burroughs Corporation
 ELECTRODATA M&E DIVISION PASADENA CALIFORNIA
PROPERTY OF BURROUGHS CORPORATION. NOT TO BE REPRODUCED, NOR USED FOR MANUFACTURING PURPOSES, EXCEPT ON BURROUGHS ORDER OR PRIOR WRITTEN CONSENT.

LOGIC SCHEMATIC



U 2	TITLE	OUTPUT BUFFER FF OBCF												U 2	
U 4	DRAWN BY	R BUNTON	CHECKED BY	SNODGRASS	8-23-61									U 4	
U 6	UNIT NAME	INPUT-OUTPUT CONTROL UNIT MODEL 3											U 6		
U 8	SYSTEM	R5500											U 8		
H- 11203551AA												ELECTRODATA M&E DIVISION		Burroughs Corporation PASADENA CALIFORNIA	
UNIT NO. 16303125												PROPERTY OF BURROUGHS CORPORATION. NOT TO BE REPRODUCED, NOR USED FOR MANUFACTURING PURPOSES, EXCEPT ON BURROUGHS ORDER OR PRIOR WRITTEN CONSENT			
PAGE NO. 63-03-01-0															

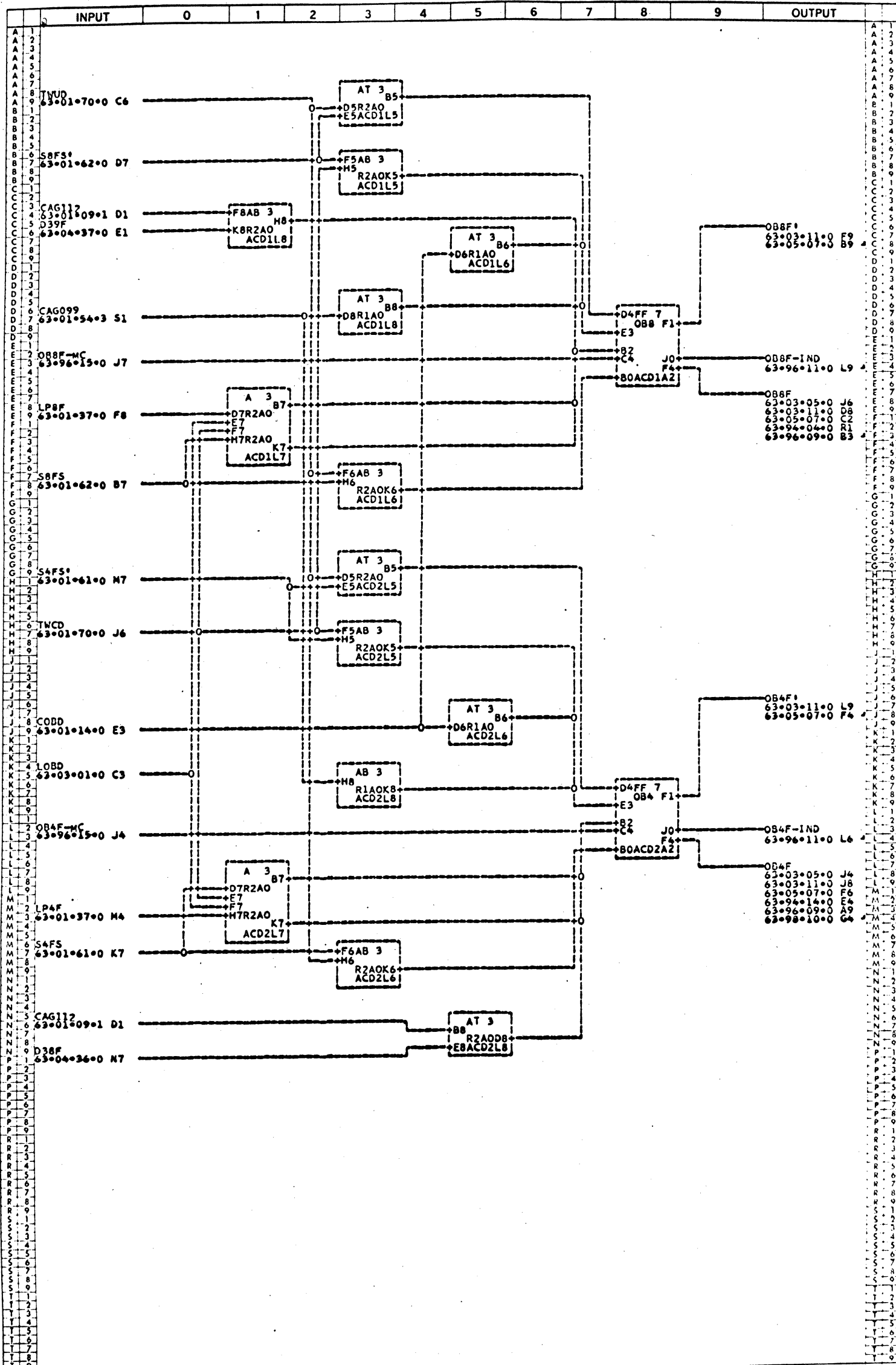
LOGIC SCHEMATIC



U 2	TITLE	OUTPUT BUFFER FF - OB1F OB2F	M- 1120369AA	U 2	
U 4	DRAWN BY	C DOOLING	CHECKED BY	SNODGRASS 12-2-61	U 4
U 6	UNIT NAME	INPUT-OUTPUT CONTROL UNIT MODEL 3	UNIT NO.	16303125	U 6
U 8	SYSTEM	B3300	PAGE NO.	63*05*01*66	U 8

ELECTRODATA **Burroughs Corporation** PASADENA CALIFORNIA
 M&E DIVISION
 PROPERTY OF BURROUGHS CORPORATION NOT TO BE REPRODUCED, NOR USED FOR MANUFACTURING PURPOSES, EXCEPT ON BURROUGHS ORDER OR PRIOR WRITTEN CONSENT.

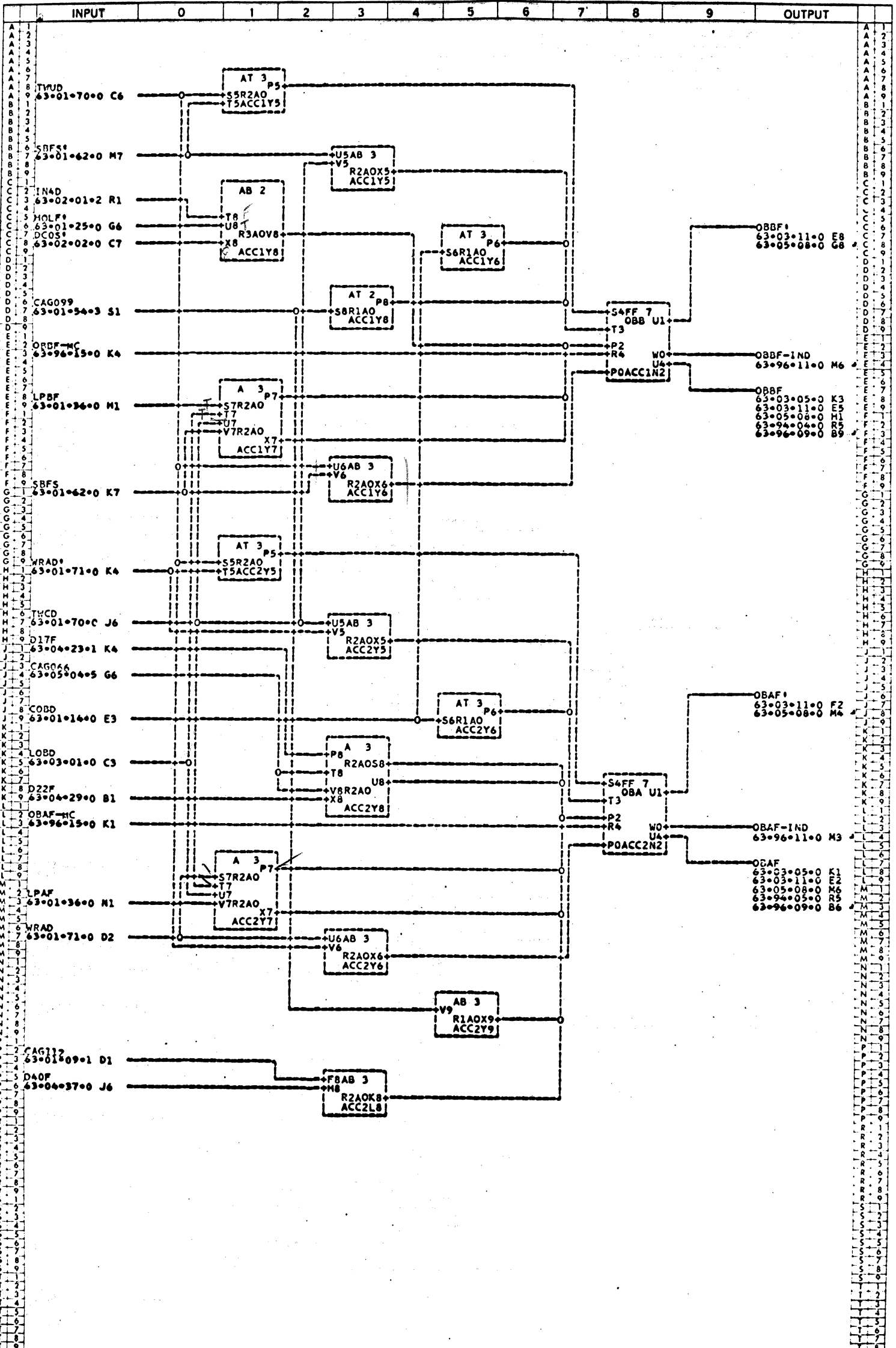
LOGIC SCHEMATIC



INPUT	0	1	2	3	4	5	6	7	8	9	OUTPUT		
U 2	TITLE OUTPUT BUFFER FF'S OB8F-OB4F										H- 11203577AA	U 2	
U 4	DRAWN BY ZINES										8-18-61 CHECKED BY SMOGRASS	8-21-61	U 4
U 6	UNIT NAME INPUT-OUTPUT CONTROL UNIT MODEL 3										UNIT NO. 16303125	U 6	
U 8	SYSTEM B5500										PAGE NO. 63-05-03-0	U 8	

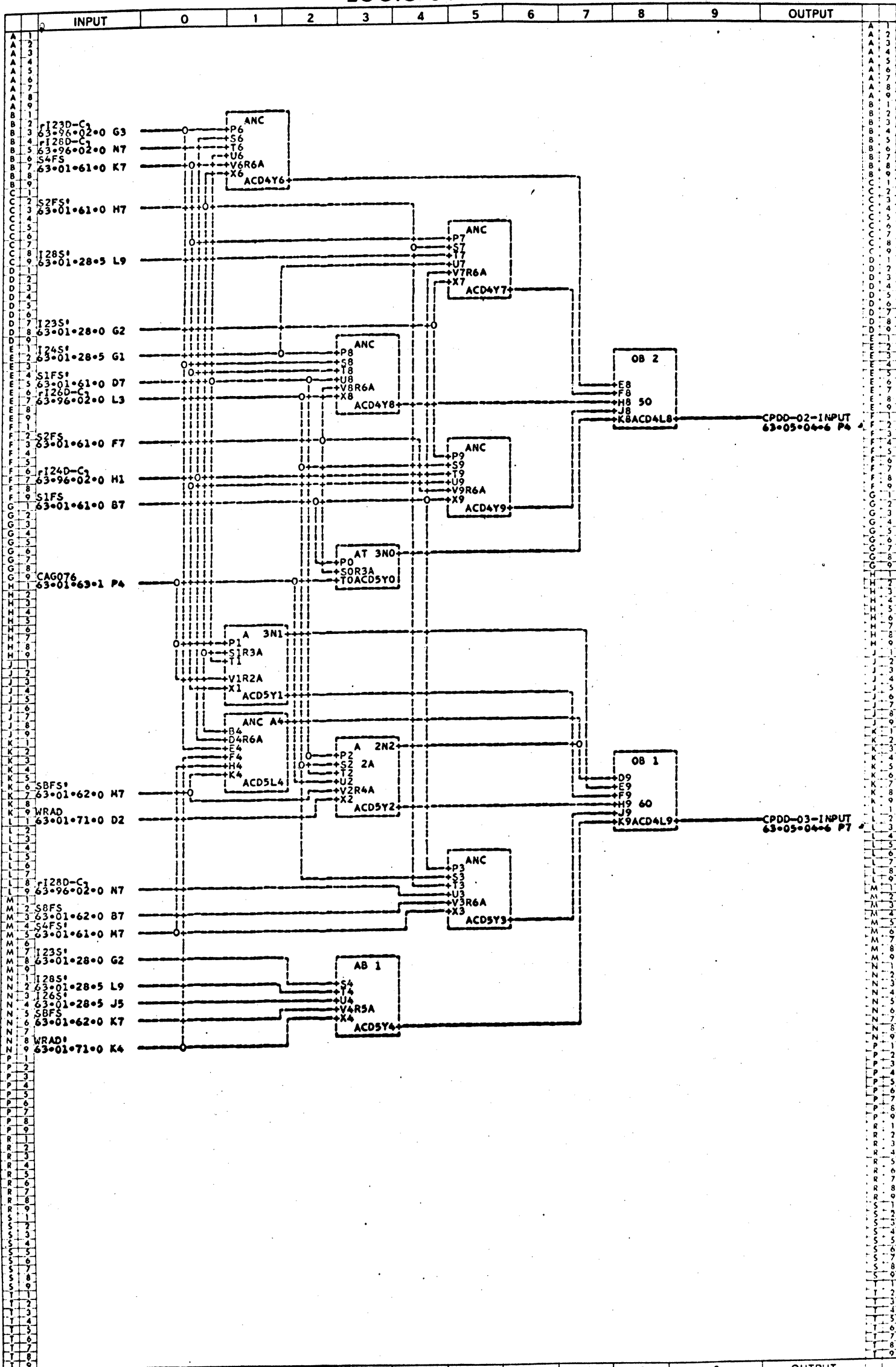
ELECTRODATA **Burroughs Corporation** PASADENA CALIFORNIA
M&E DIVISION
PROPERTY OF BURROUGHS CORPORATION NOT TO BE REPRODUCED, NOR USED FOR MANUFACTURING PURPOSES, EXCEPT ON BURROUGHS ORDER OR PRIOR WRITTEN CONSENT

LOGIC SCHEMATIC



INPUT	0	1	2	3	4	5	6	7	8	9	OUTPUT		
U 2	TITLE OUTPUT BUFFER FF'S OBBF-OBAF										H- 11203585AA	U 2	
U 4	DRAWN BY ZINES 8-18-61 CHECKED BY SNODGRASS 8-21-61										ELECTRODATA	U 4	
U 6	UNIT NAME INPUT-OUTPUT CONTROL UNIT MODEL 3										Burroughs Corporation	PASADENA CALIFORNIA	U 6
U 8	SYSTEM B5500										PROPERTY OF BURROUGHS CORPORATION NOT TO BE REPRODUCED, NOR USED FOR MANUFACTURING PURPOSES, EXCEPT ON BURROUGHS ORDER OR PRIOR WRITTEN CONSENT.	U 8	

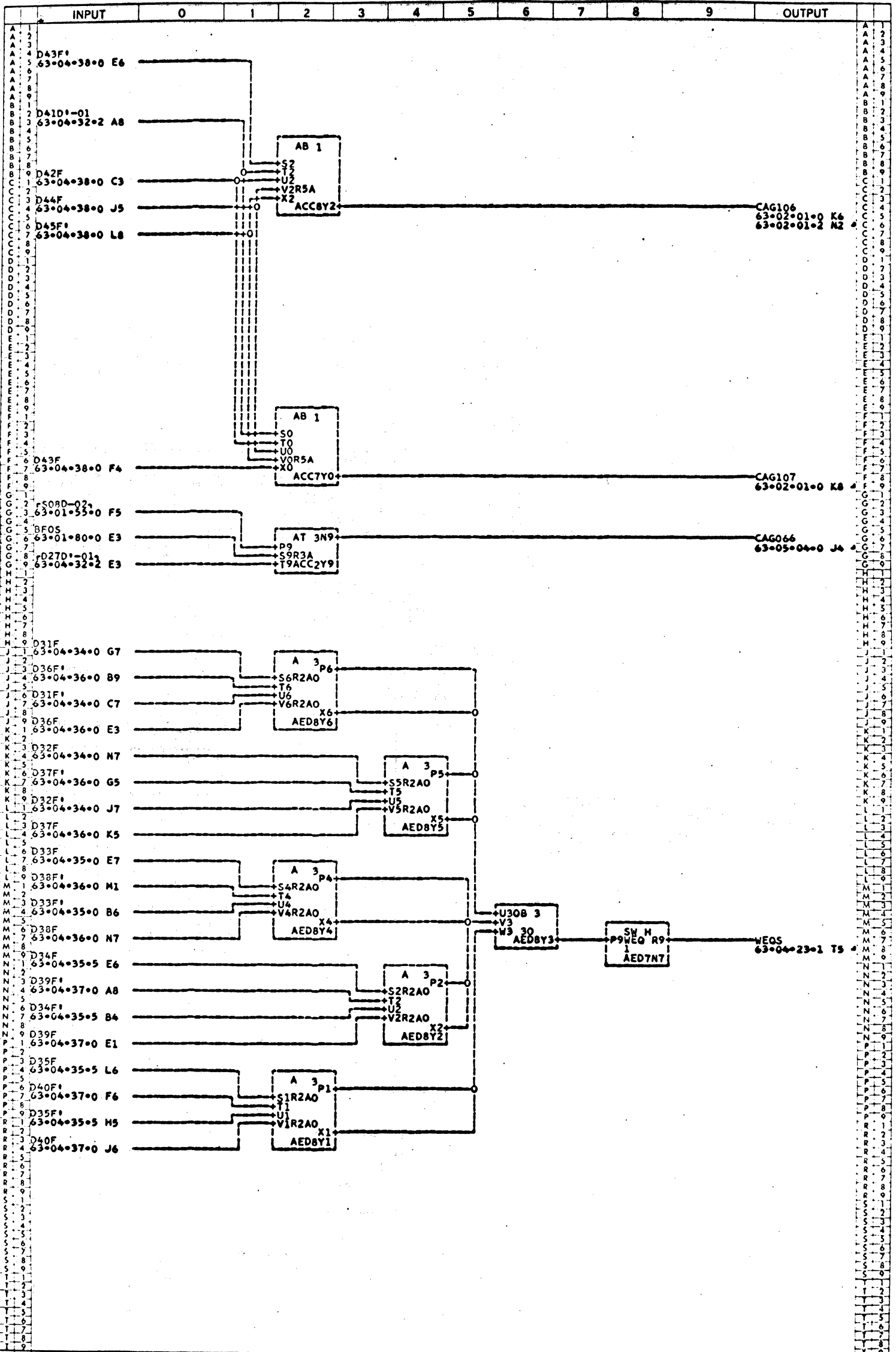
LOGIC SCHEMATIC



INPUT	0	1	2	3	4	5	6	7	8	9	OUTPUT
U 2	TITLE CPDD-02 AND 03 INPUTS										U 2
U 4	DRAWN BY B TOYER										U 4
U 6	UNIT NAME INPUT-OUTPUT CONTROL UNIT MODEL 3										U 6
U 8	SYSTEM B5500										U 8

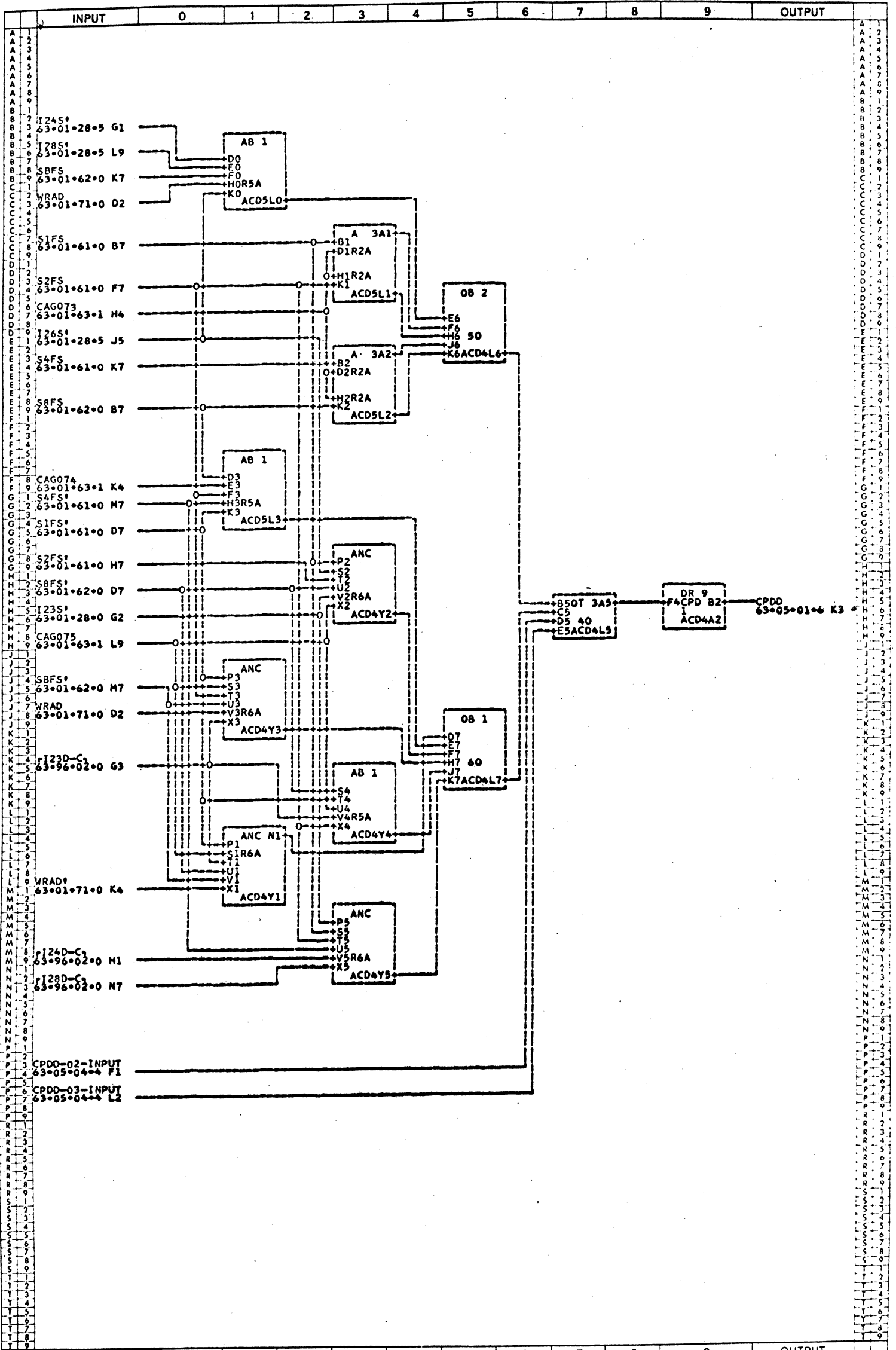
ELECTRODATA **Burroughs Corporation** PASADENA
 M&E DIVISION CALIFORNIA
PROPERTY OF BURROUGHS CORPORATION. NOT TO BE REPRODUCED, NOR USED FOR MANUFACTURING PURPOSES, EXCEPT ON BURROUGHS ORDER OR PRIOR WRITTEN CONSENT

LOGIC SCHEMATIC



INPUT	0	1	2	3	4	5	6	7	8	9	OUTPUT
U 2	TITLE OUTPUT BUFFER CAG'S 106 - 107 - 066										U 2
U 4	DRAWN BY R J MILLER 8-18-61 CHECKED BY SNODGRASS 8-23-61										U 4
U 6	UNIT NAME INPUT-OUTPUT CONTROL UNIT MODEL 3										U 6
U 8	SYSTEM 85500										U 8

LOGIC SCHEMATIC

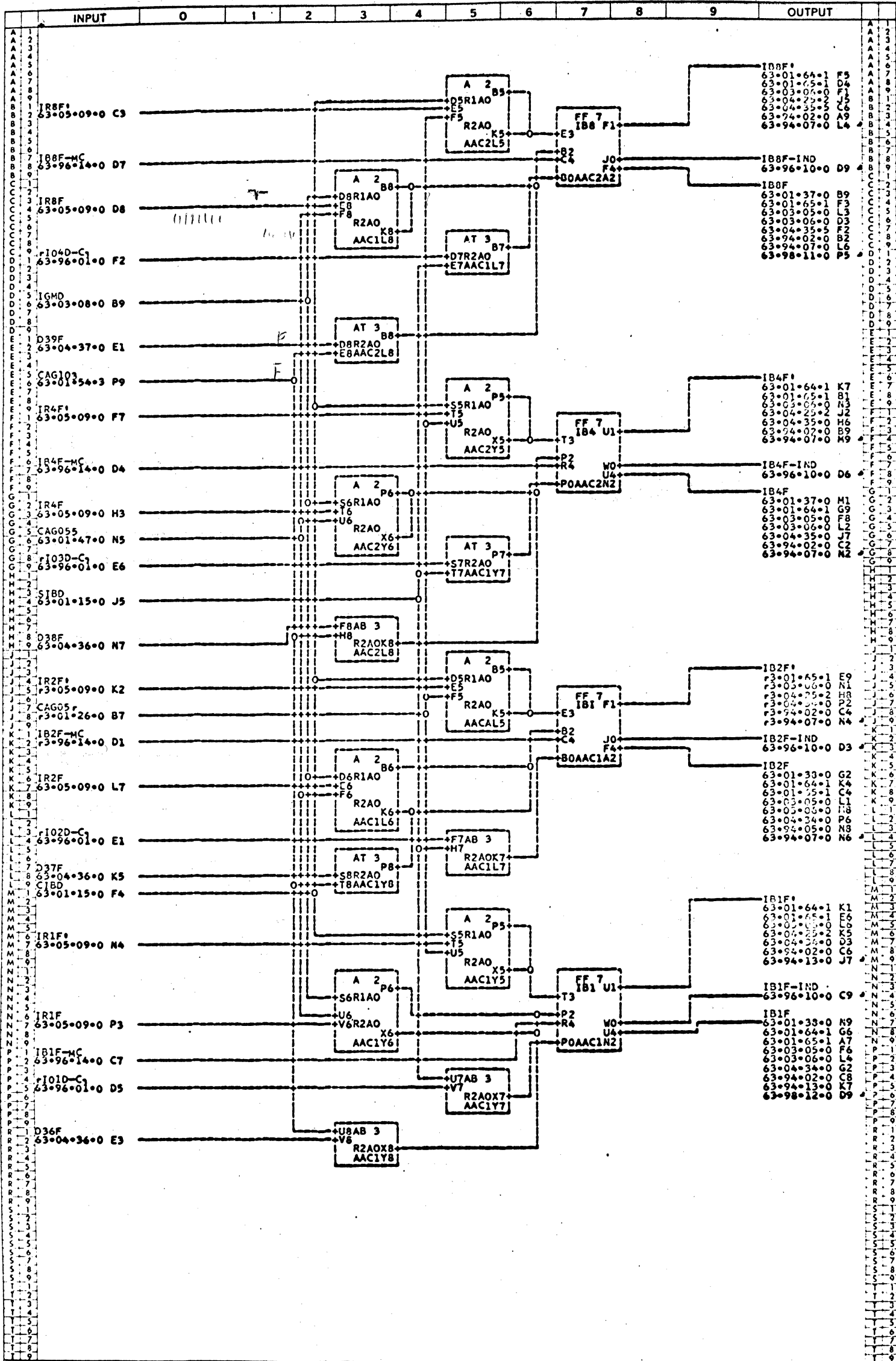


INPUT	0	1	2	3	4	5	6	7	8	9	OUTPUT	
U 2	TITLE CPDD										M- 11203619AA	U 2
U 4	DRAWN BY B TOYER										CHECKED BY SNOODGRASS	U 4
U 6	UNIT NAME INPUT-OUTPUT CONTROL UNIT MODEL 3										UNIT NO. 16303125	U 6
U 8	SYSTEM B5500										PAGE NO. 63-05-04-6	U 8

ELECTRODATA **Burroughs Corporation** PASADENA CALIFORNIA
 M & E DIVISION 3

PROPERTY OF BURROUGHS CORPORATION NOT TO BE REPRODUCED, NOR USED FOR
 MANUFACTURING PURPOSES, EXCEPT ON BURROUGHS ORDER OR PRIOR WRITTEN CONSENT

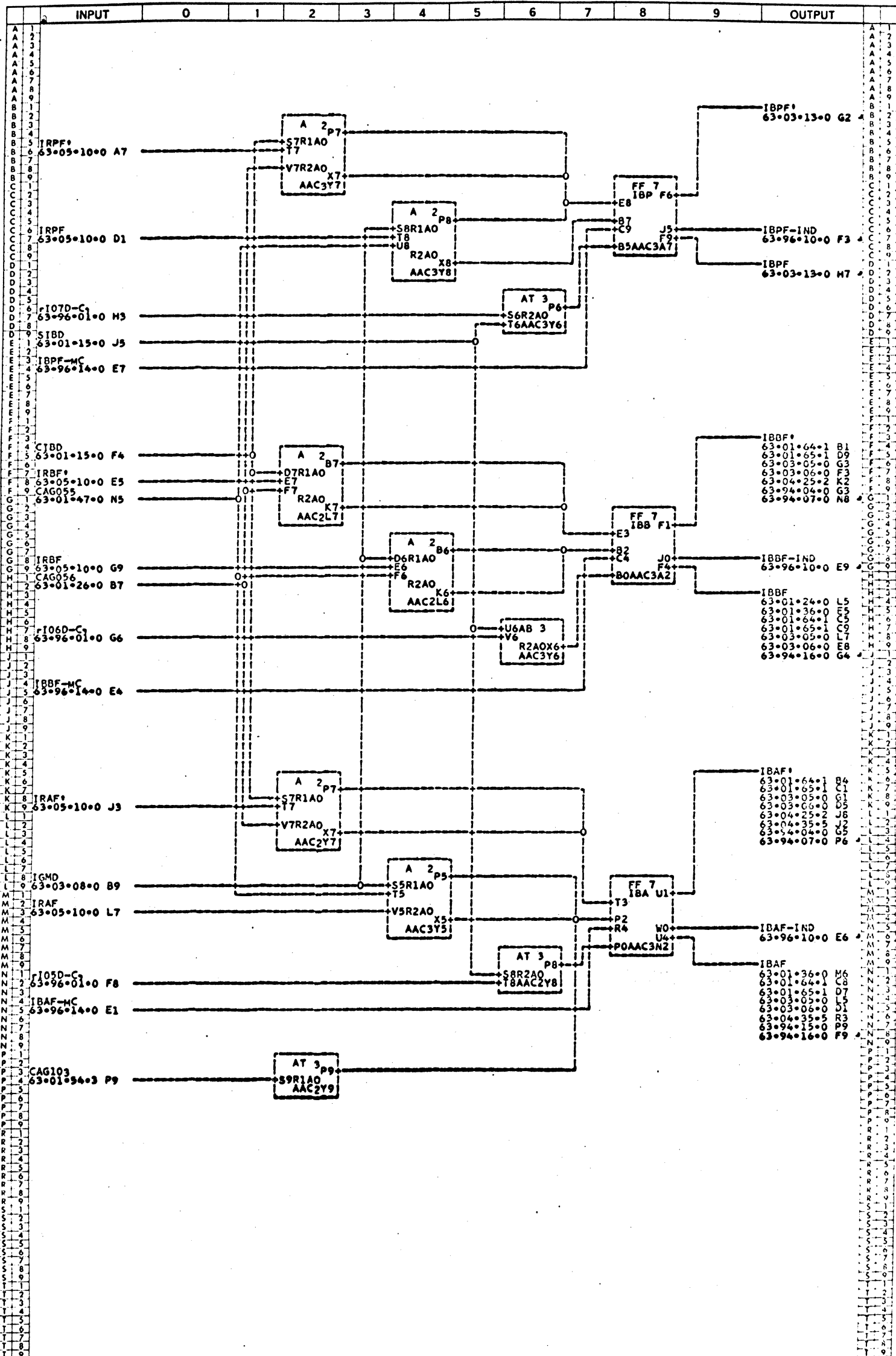
LOGIC SCHEMATIC



INPUT	0	1	2	3	4	5	6	7	8	9	OUTPUT
U 2	TITLE INPUT BUFFER FF'S IB8F-IB4F-IB2F-IB1F										U 2
U 4	DRAWN BY R R BUNTON 8-21-61 CHECKED BY SNOODGRASS 8-23-61										U 4
U 6	UNIT NAME INPUT-OUTPUT CONTROL UNIT MODEL 3										U 6
U 8	SYSTEM B5200										U 8

Burroughs Corporation
 ELECTRODATA M&E DIVISION PASADENA CALIFORNIA
PROPERTY OF BURROUGHS CORPORATION NOT TO BE REPRODUCED, NOR USED FOR MANUFACTURING PURPOSES, EXCEPT ON BURROUGHS ORDER OR PRIOR WRITTEN CONSENT.

LOGIC SCHEMATIC

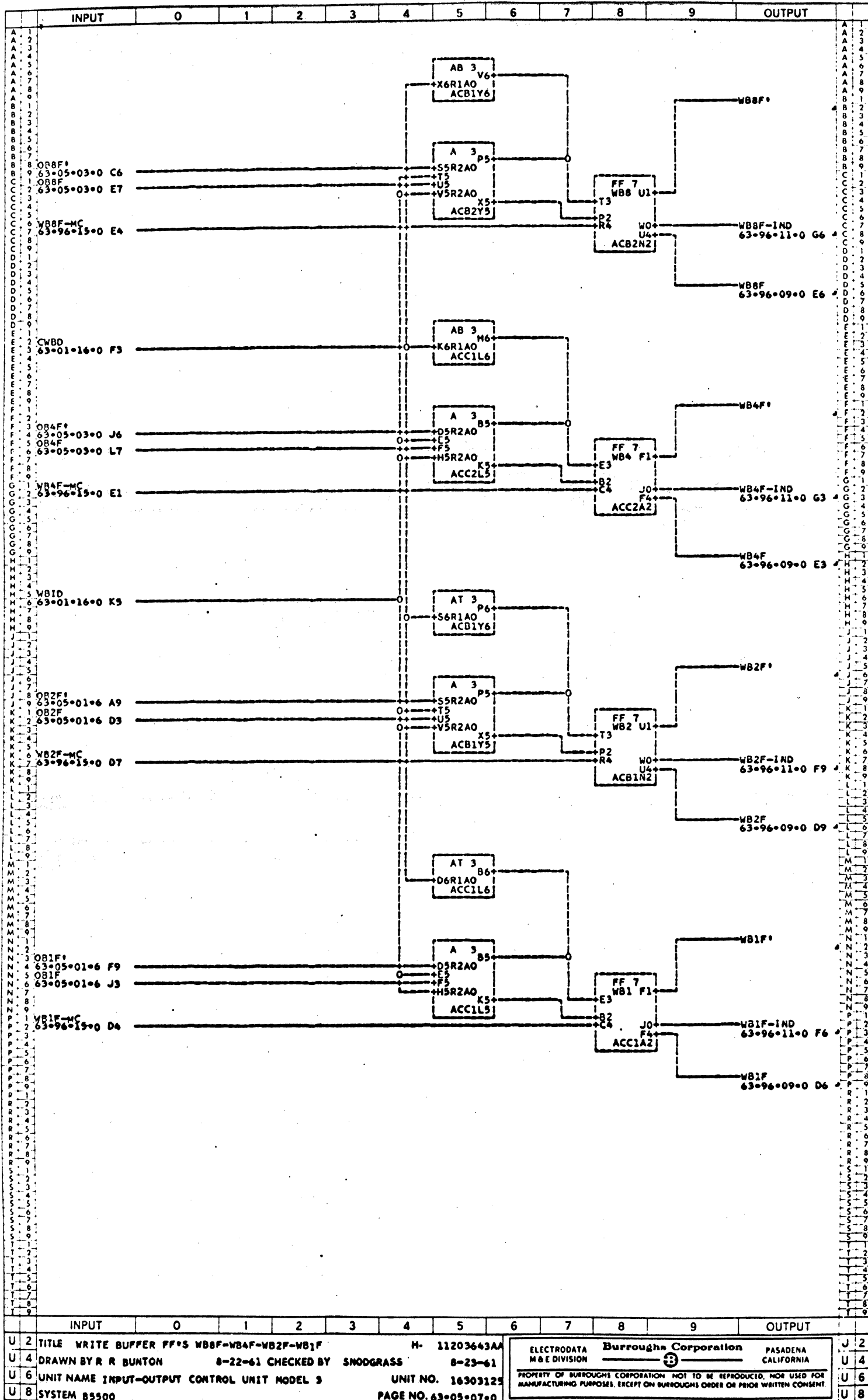


INPUT	0	1	2	3	4	5	6	7	8	9	OUTPUT
U 2	TITLE INPUT BUFFER FF'S IBP-B-AF										U 2
U 4	DRAWN BY R J MILLER 8-17-61 CHECKED BY SNOGRASS JMZ 8-21-61										U 4
U 6	UNIT NAME INPUT-OUTPUT CONTROL UNIT MODEL 3										U 6
U 8	SYSTEM B5500										U 8

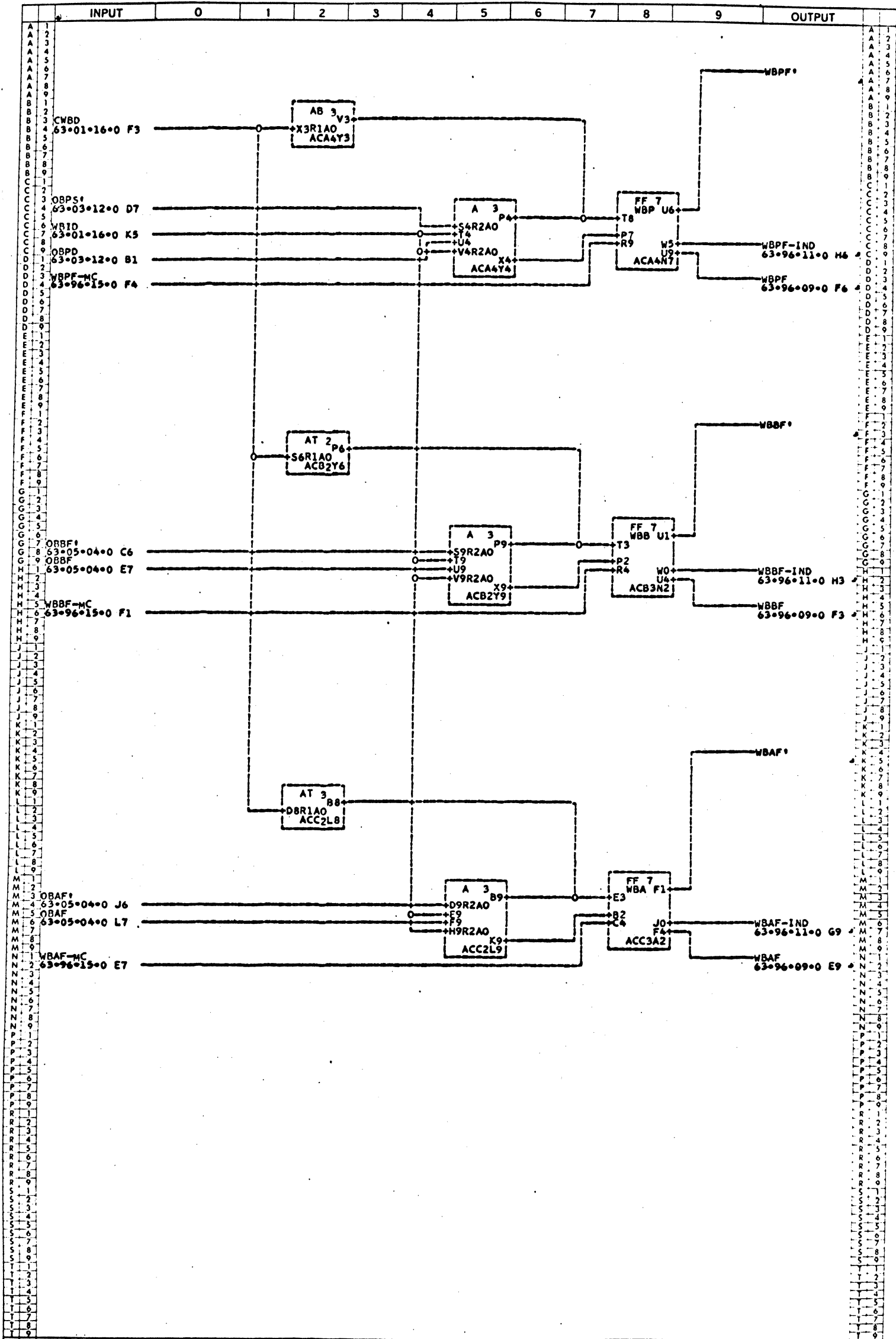
ELECTRODATA **Burroughs Corporation** **PASADENA CALIFORNIA**
 M & E DIVISION

PROPERTY OF BURROUGHS CORPORATION NOT TO BE REPRODUCED, NOR USED FOR MANUFACTURING PURPOSES, EXCEPT ON BURROUGHS ORDER OR PRIOR WRITTEN CONSENT

LOGIC SCHEMATIC



LOGIC SCHEMATIC



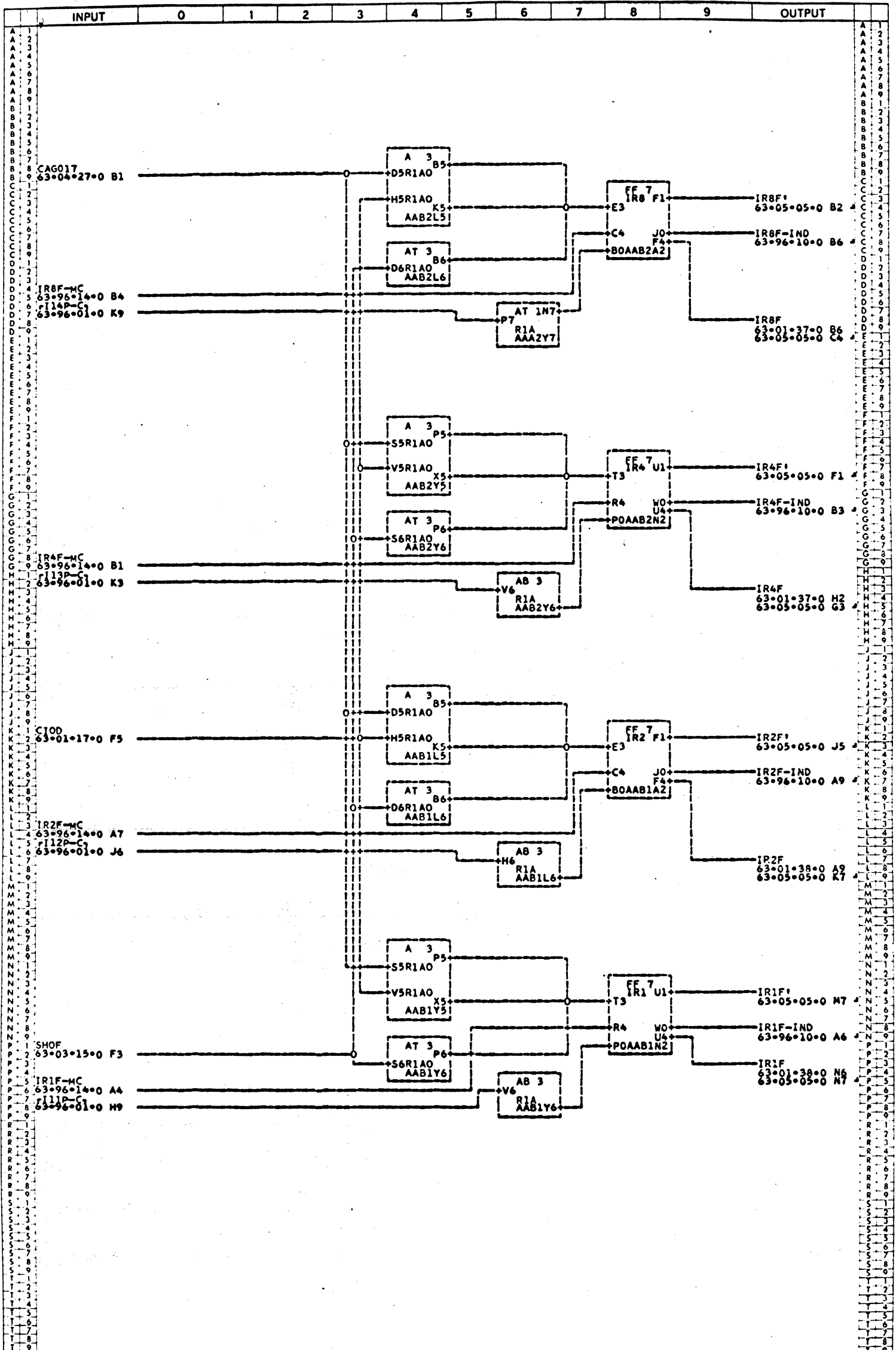
INPUT	0	1	2	3	4	5	6	7	8	9	OUTPUT		
U 2	TITLE WRITE BUFFER FF'S WBP WBB WBAF										H- 11203650AA	U 2	
U 4	DRAWN BY R J MILLER										8-21-61 CHECKED BY SNODGRASS	8-23-61	U 4
U 6	UNIT NAME INPUT-OUTPUT CONTROL UNIT MODEL 3										UNIT NO. 16303125	U 6	
U 8	SYSTEM B5200										PAGE NO. 63-05-08-0	U 8	

ELECTRODATA **Burroughs Corporation** PASADENA CALIFORNIA

M & E DIVISION

PROPERTY OF BURROUGHS CORPORATION NOT TO BE REPRODUCED, NOR USED FOR MANUFACTURING PURPOSES, EXCEPT ON BURROUGHS ORDER OR PRIOR WRITTEN CONSENT

LOGIC SCHEMATIC

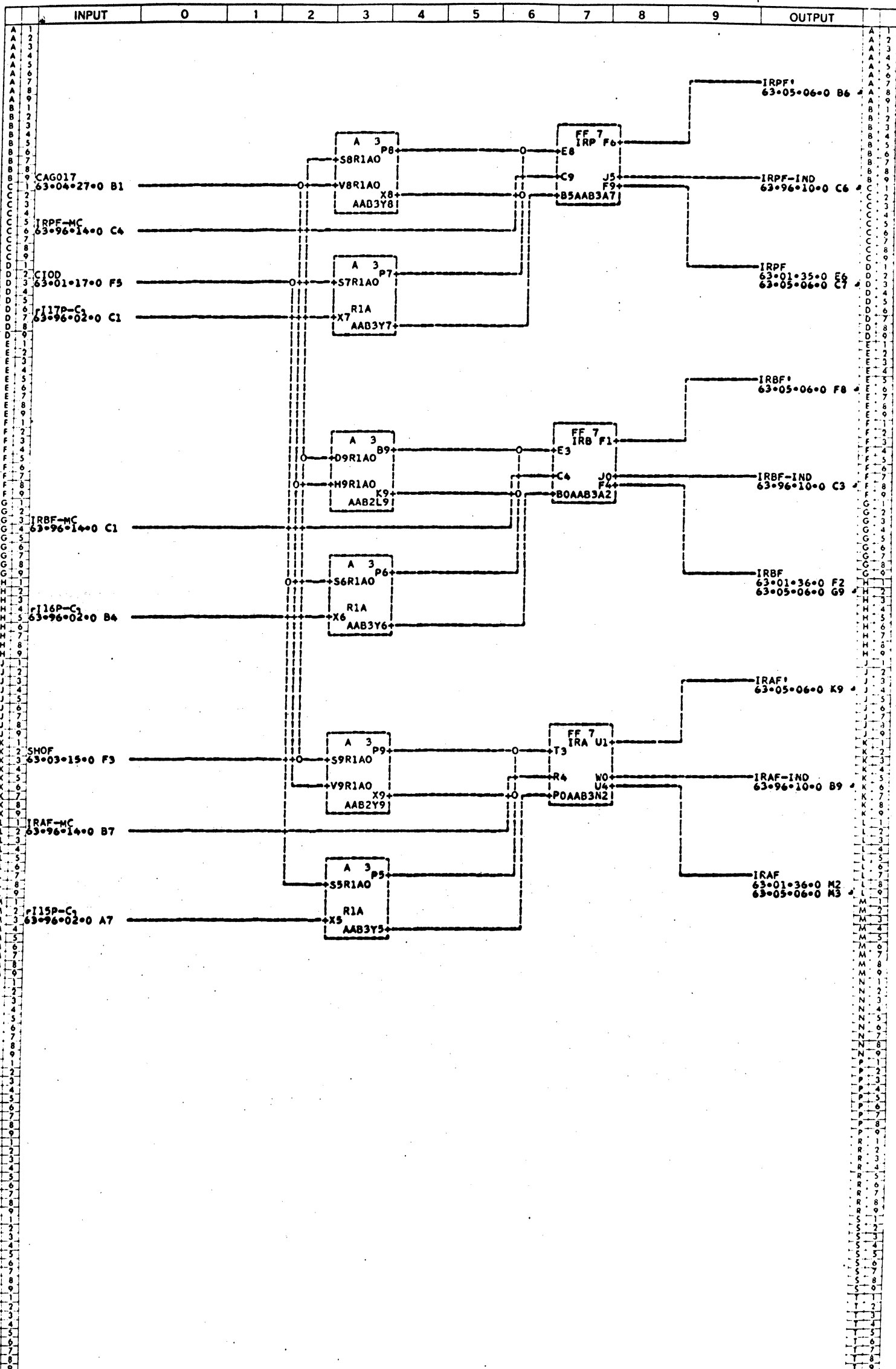


INPUT	0	1	2	3	4	5	6	7	8	9	OUTPUT
U 2	TITLE INFORMATION READ FF'S IR8F-IR4F-IR2F-IR1F										U 2
U 4	DRAWN BY RFW 15 AUG 61 CHECKED BY SNODGRASS JMJ 8-21-61										U 4
U 6	UNIT NAME INPUT-OUTPUT CONTROL UNIT MODEL 3										U 6
U 8	SYSTEM B9200										U 8

ELECTRODATA **Burroughs Corporation** **PASADENA CALIFORNIA**
 M & E DIVISION

PROPERTY OF BURROUGHS CORPORATION NOT TO BE REPRODUCED, NOR USED FOR MANUFACTURING PURPOSES, EXCEPT ON BURROUGHS ORDER OR PRIOR WRITTEN CONSENT.

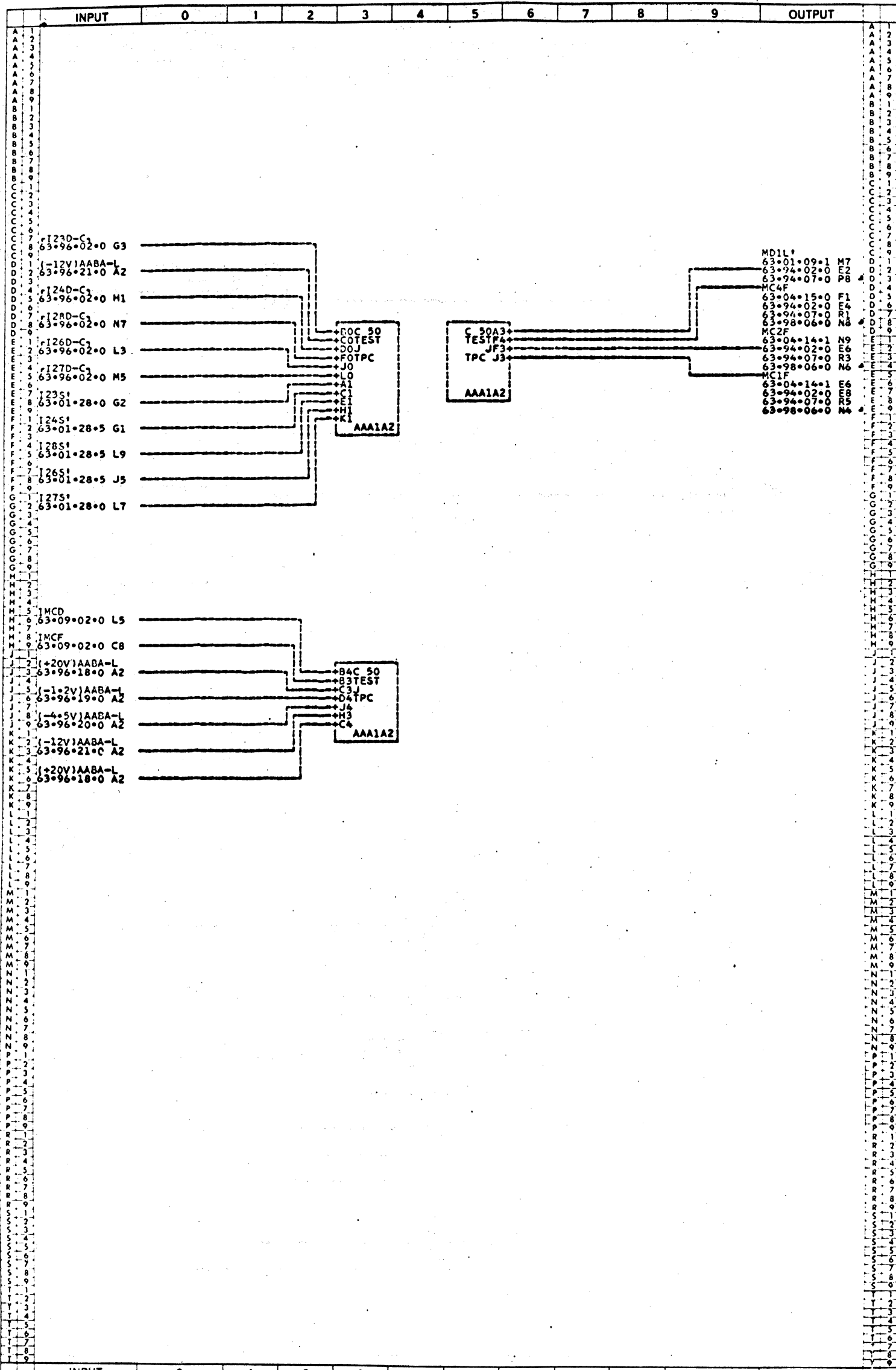
LOGIC SCHEMATIC



INPUT	0	1	2	3	4	5	6	7	8	9	OUTPUT
U 2	TITLE INFORMATION READ FF'S IRPF-IRBF-IRAF										U 2
U 4	DRAWN BY N MOGLE CHECKED BY SNODGRASS 8-21-61										U 4
U 6	UNIT NAME INPUT-OUTPUT CONTROL UNIT MODEL 3										U 6
U 8	SYSTEM B5500										U 8

ELECTRODATA **Burroughs Corporation** PASADENA CALIFORNIA
 M&E DIVISION
 PROPERTY OF BURROUGHS CORPORATION NOT TO BE REPRODUCED, NOR USED FOR
 MANUFACTURING PURPOSES, EXCEPT ON BURROUGHS ORDER OR PRIOR WRITTEN CONSENT

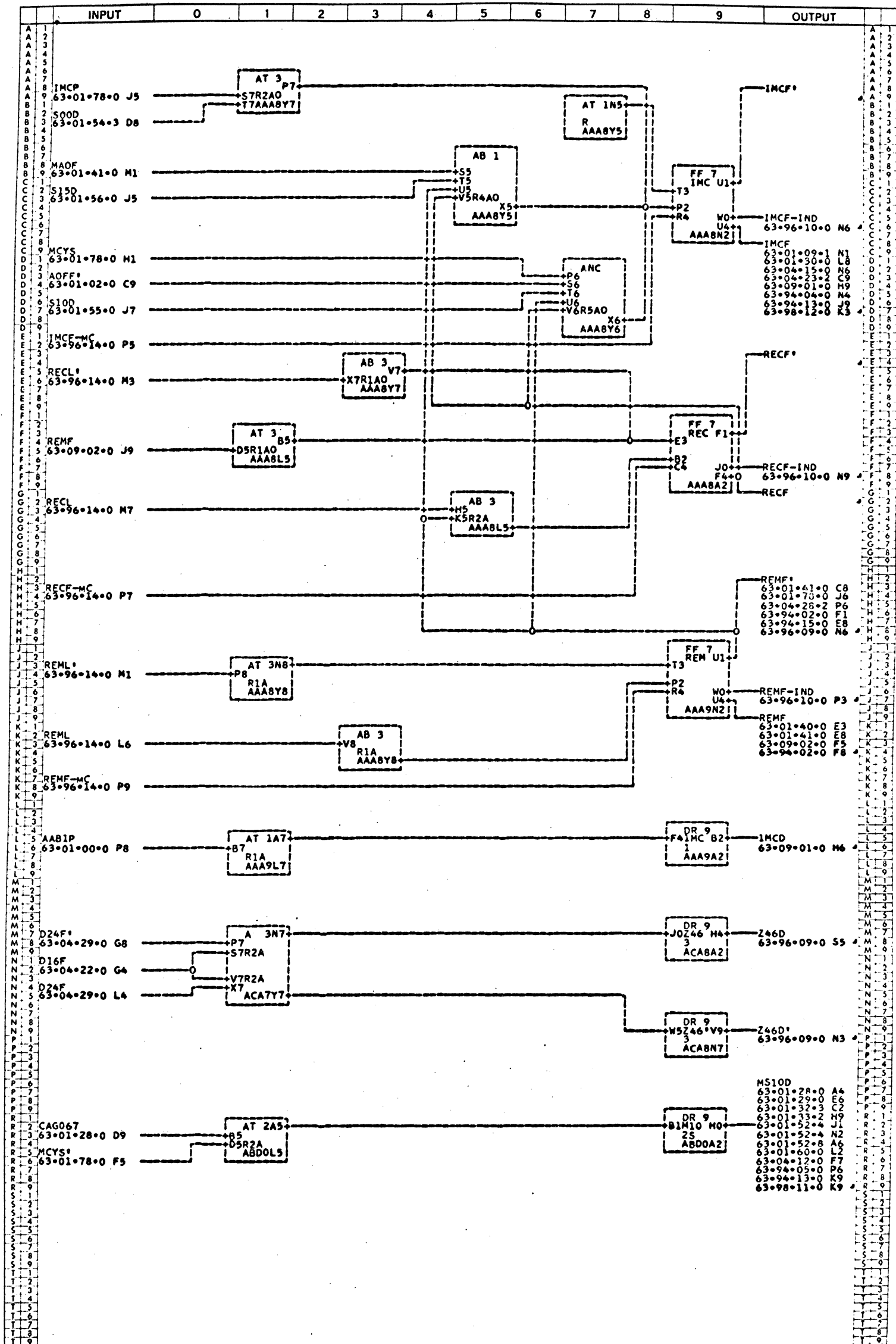
LOGIC SCHEMATIC



	INPUT	0	1	2	3	4	5	6	7	8	9	OUTPUT	
U 2	TITLE QUALITY ASSURANCE TEST QUAD											U 2	
U 4	DRAWN BY C DOOLING CHECKED BY SNOODGRASS											U 4	
U 6	UNIT NAME INPUT-OUTPUT CONTROL UNIT MODEL 3											U 6	
U 8	SYSTEM B5500											U 8	

Burroughs Corporation
 ELECTRODATA M&E DIVISION PASADENA CALIFORNIA
 PROPERTY OF BURROUGHS CORPORATION NOT TO BE REPRODUCED, NOR USED FOR MANUFACTURING PURPOSES, EXCEPT ON BURROUGHS ORDER OR PRIOR WRITTEN CONSENT.

LOGIC SCHEMATIC



	INPUT	0	1	2	3	4	5	6	7	8	9	OUTPUT
U 2	TITLE IMCF RECF REMF IMCD Z46D Z46D MS10D											
U 4	DRAWN BY B TOYER 11-29-61 CHECKED BY SNOGRASS											
U 6	UNIT NAME INPUT-OUTPUT CONTROL UNIT MODEL 3											
U 8	SYSTEM B5500											

M- 11203692AC

UNIT NO. 16303125

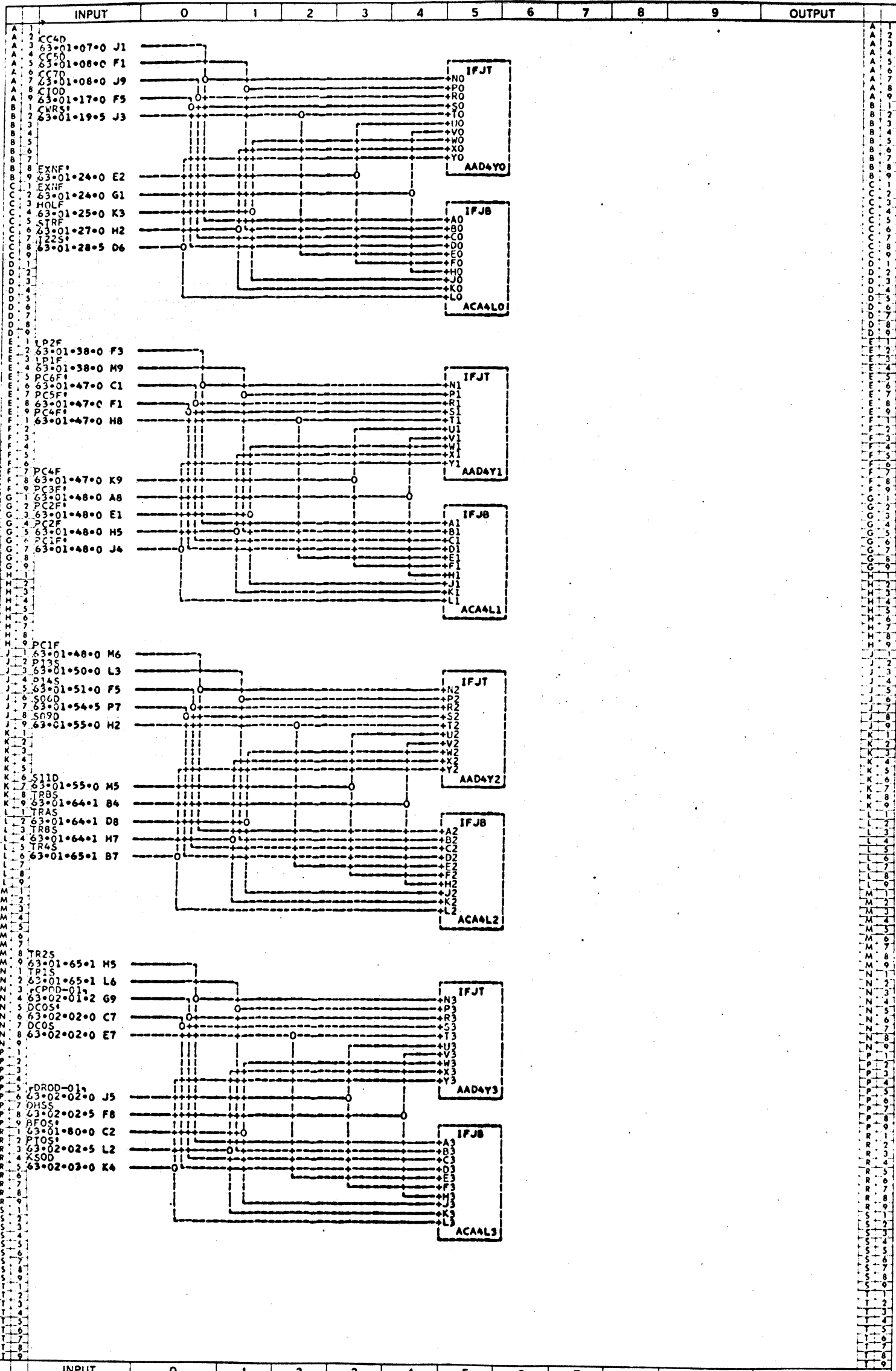
PAGE NO. 63-09-02-0

Burroughs Corporation

ELECTRODATA M&E DIVISION PASADENA CALIFORNIA

PROPERTY OF BURROUGHS CORPORATION NOT TO BE REPRODUCED, NOR USED FOR MANUFACTURING PURPOSES, EXCEPT ON BURROUGHS ORDER OR PRIOR WRITTEN CONSENT.

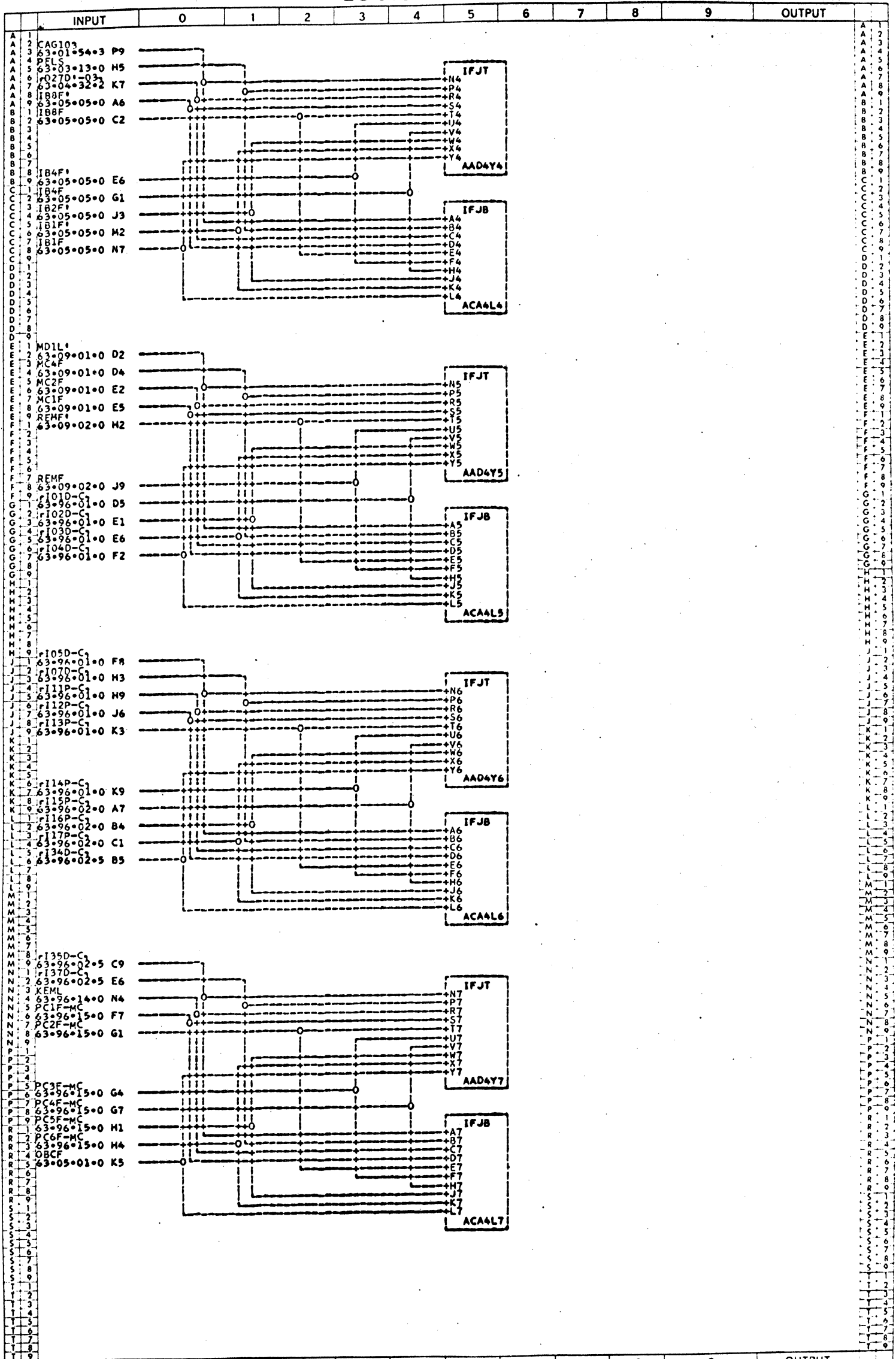
LOGIC SCHEMATIC



INPUT	0	1	2	3	4	5	6	7	8	9	OUTPUT
U 2	TITLE INTER FRAME JUMPERS										U 2
U 4	DRAWN BY TOM JONES 5-28-62 CHECKED BY ZINES										U 4
U 6	UNIT NAME INPUT-OUTPUT CONTROL UNIT MODEL 3										U 6
U 8	SYSTEM B5500										U 8

ELECTRODATA M&E DIVISION **Burroughs Corporation** PASADENA CALIFORNIA
 PROPERTY OF BURROUGHS CORPORATION NOT TO BE REPRODUCED, NOR USED FOR MANUFACTURING PURPOSES, EXCEPT ON BURROUGHS ORDER OR PRIOR WRITTEN CONSENT

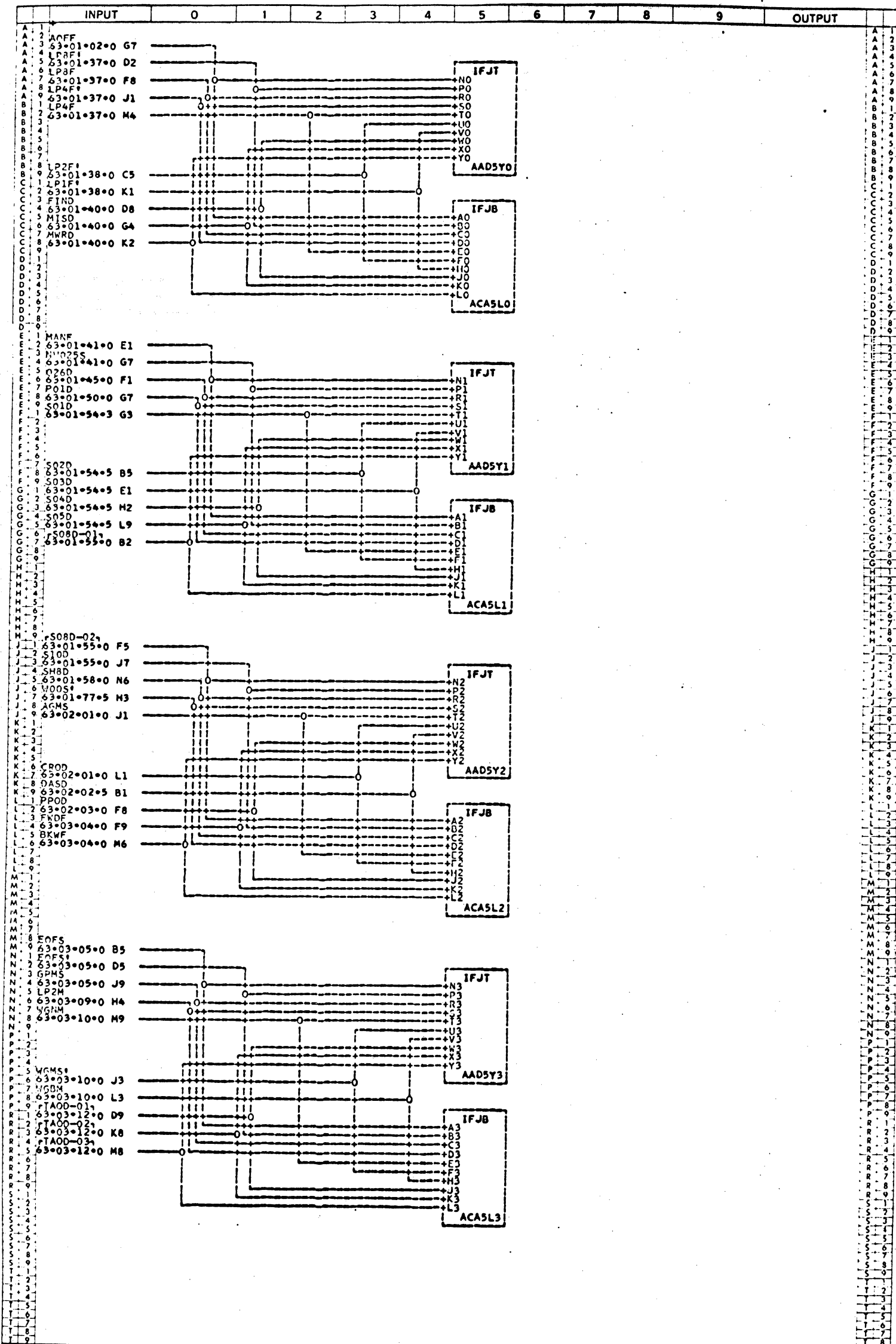
LOGIC SCHEMATIC



	INPUT	0	1	2	3	4	5	6	7	8	9	OUTPUT
U	2 TITLE INTER FRAME JUMPERS											U
U	4 DRAWN BY TOM JONES 5-28-62											U
U	6 UNIT NAME INPUT-OUTPUT CONTROL UNIT MODEL 3											U
U	8 SYSTEM B5500											U

Burroughs Corporation
 ELECTRODATA M&E DIVISION PASADENA CALIFORNIA
 PROPERTY OF BURROUGHS CORPORATION NOT TO BE REPRODUCED, NOR USED FOR MANUFACTURING PURPOSES, EXCEPT ON BURROUGHS ORDER OR PRIOR WRITTEN CONSENT

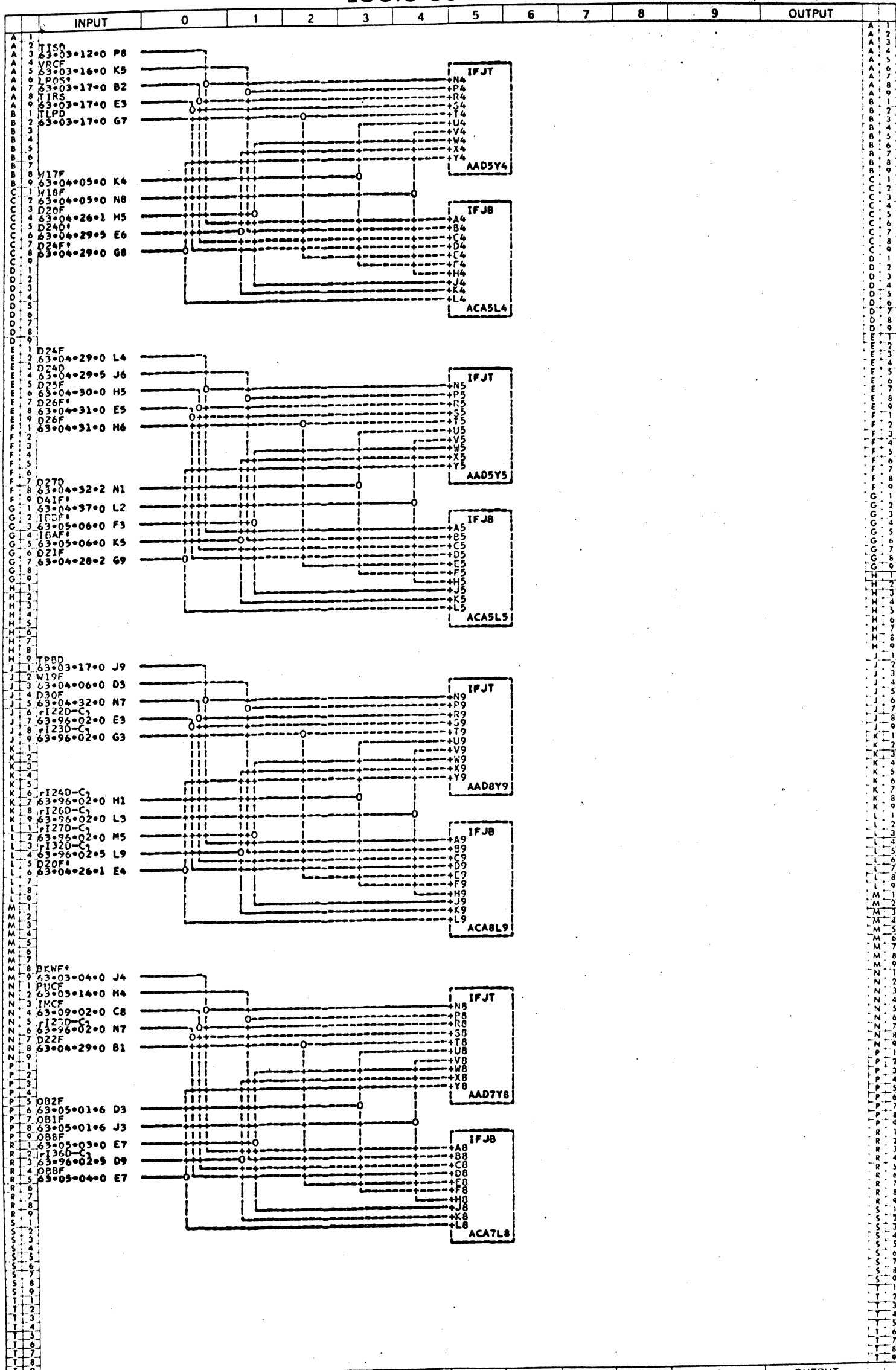
LOGIC SCHEMATIC



INPUT	0	1	2	3	4	5	6	7	8	9	OUTPUT
U 2	TITLE INTER FRAME JUMPERS										U 2
U 4	DRAWN BY TOM JONES 5-28-62 CHECKED BY ZINES M- 11203726AA 8-22-62										U 4
U 6	UNIT NAME INPUT-OUTPUT CONTROL UNIT MODEL 3 UNIT NO. 16309125										U 6
U 8	SYSTEM B5500 PAGE NO. 63-94-03-0										U 8

ELECTRODATA **Burroughs Corporation** PASADENA CALIFORNIA
 M&E DIVISION PROPERTY OF BURROUGHS CORPORATION NOT TO BE REPRODUCED, NOR USED FOR MANUFACTURING PURPOSES, EXCEPT ON BURROUGHS ORDER OR PRIOR WRITTEN CONSENT

LOGIC SCHEMATIC



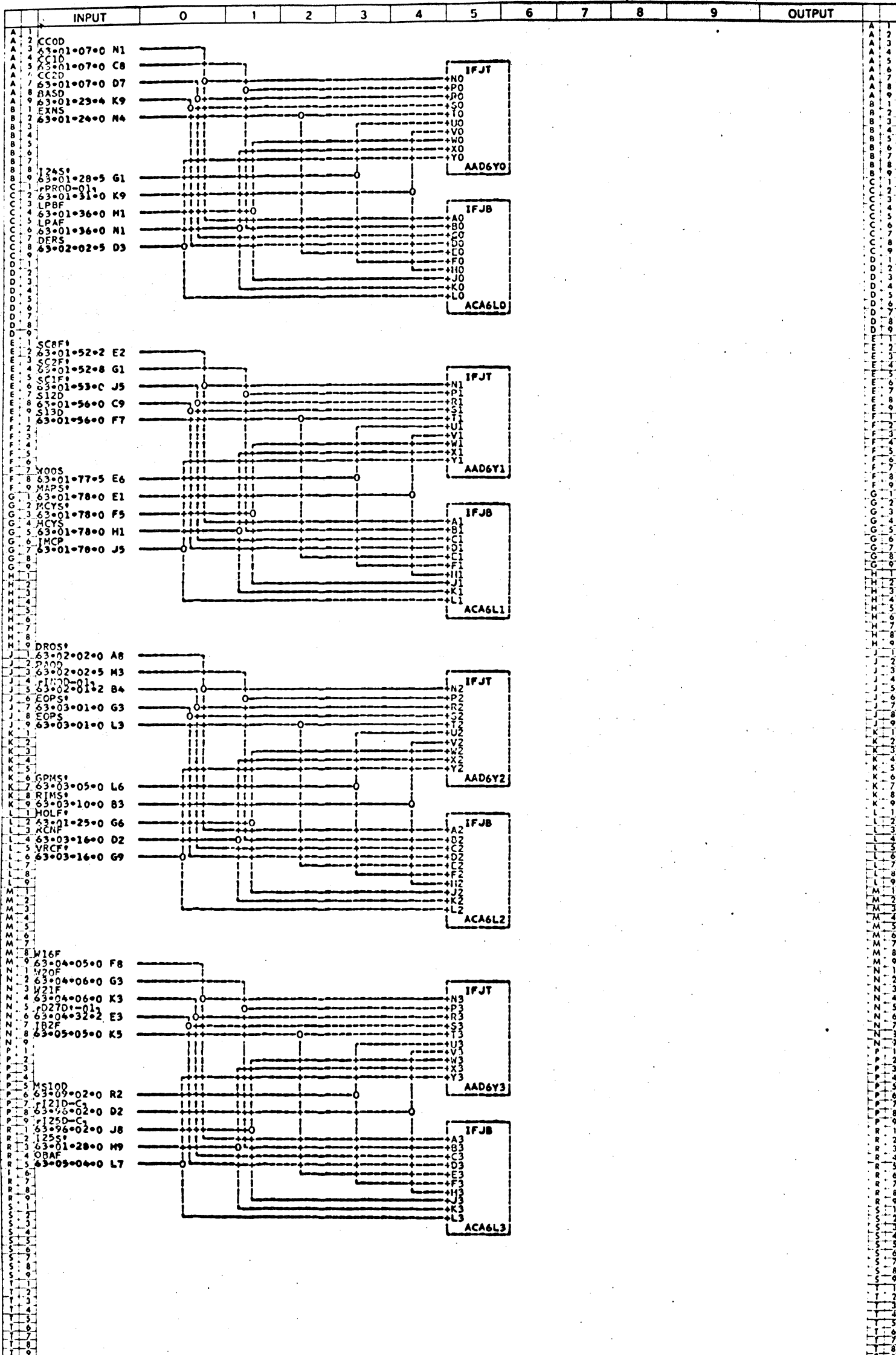
INPUT	0	1	2	3	4	5	6	7	8	9	OUTPUT
U 2	TITLE INTER FRAME JUMPERS										U 2
U 4	DRAWN BY TOM JONES 5-28-62 CHECKED BY ZINES										U 4
U 6	UNIT NAME INPUT-OUTPUT CONTROL UNIT MODEL 3										U 6
U 8	SYSTEM 85500										U 8

H- 11203734AA
 8-22-62
 UNIT NO. 1630325
 PAGE NO. 63-94-04-0

ELECTRODATA **Burroughs Corporation** PASADENA CALIFORNIA
 M & E DIVISION

PROPERTY OF BURROUGHS CORPORATION NOT TO BE REPRODUCED, NOR USED FOR MANUFACTURING PURPOSES, EXCEPT ON BURROUGHS ORDER OR PRIOR WRITTEN CONSENT

LOGIC SCHEMATIC

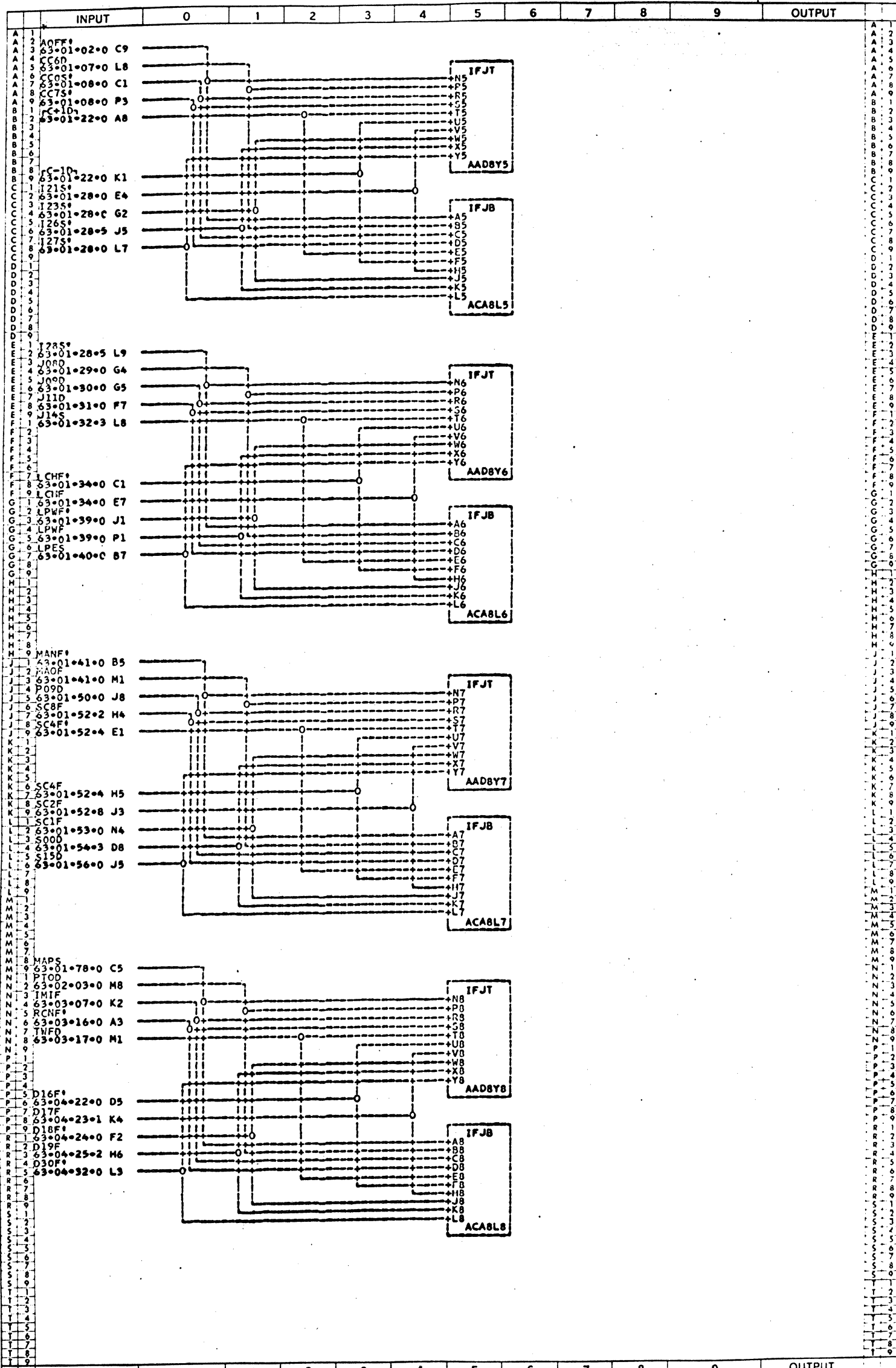


INPUT	0	1	2	3	4	5	6	7	8	9	OUTPUT
U 2	TITLE INTER FRAME JUMPERS										U 2
U 4	DRAWN BY TOM JONES 5-28-62 CHECKED BY ZINES H- 11203742AA 8-22-62										U 4
U 6	UNIT NAME INPUT-OUTPUT CONTROL UNIT MODEL 3 UNIT NO. 16309129										U 6
U 8	SYSTEM B5500 PAGE NO. 63-94-03-0										U 8

ELECTRODATA **Burroughs Corporation** **PASADENA CALIFORNIA**
 M&E DIVISION

PROPERTY OF BURROUGHS CORPORATION NOT TO BE REPRODUCED, NOR USED FOR MANUFACTURING PURPOSES, EXCEPT ON BURROUGHS ORDER OR PRIOR WRITTEN CONSENT

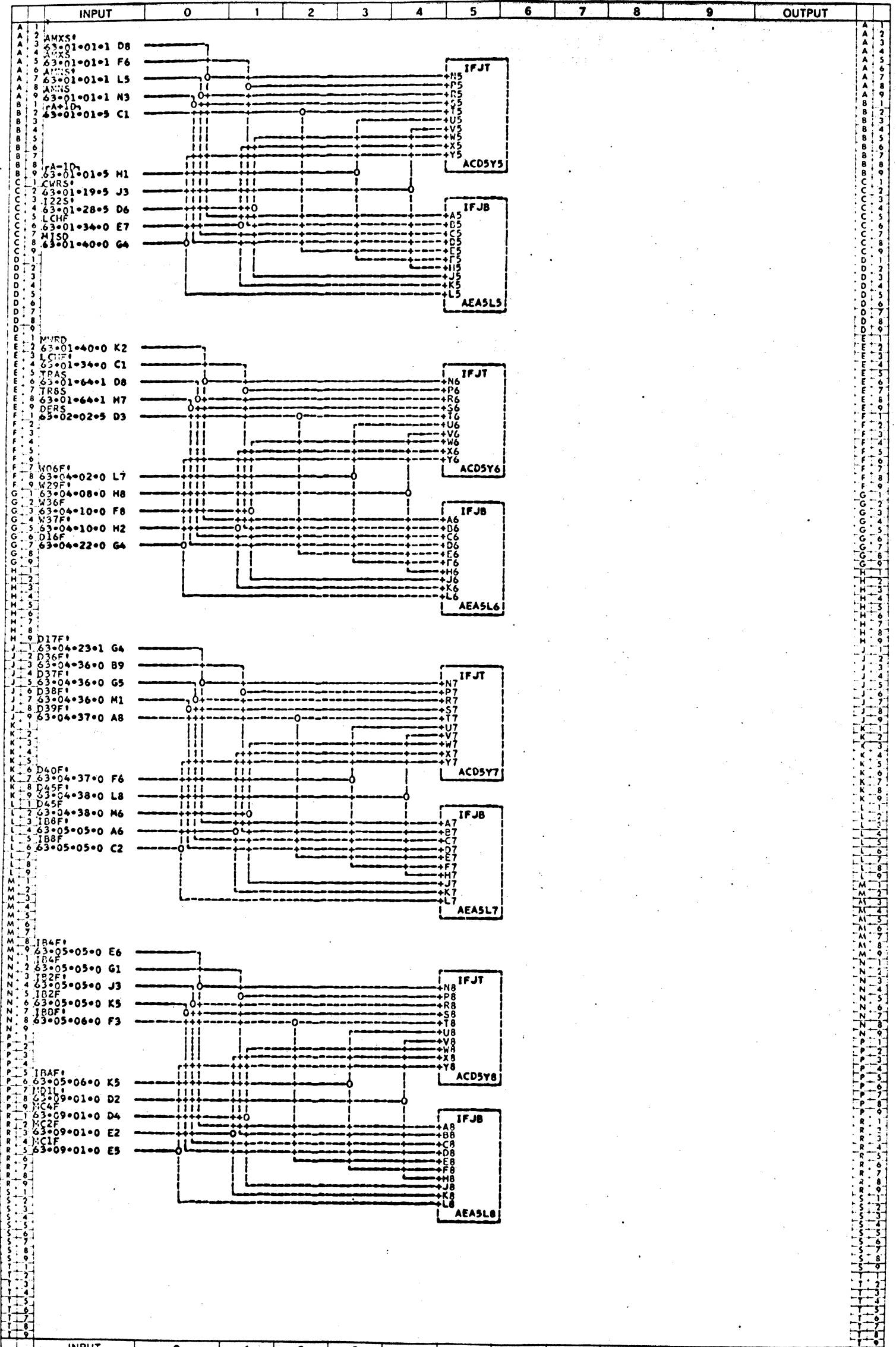
LOGIC SCHEMATIC



	INPUT	0	1	2	3	4	5	6	7	8	9	OUTPUT	
U 2	TITLE INTER FRAME JUMPERS												U 2
U 4	DRAWN BY TOM JONES 5-28-62												U 4
U 6	UNIT NAME INPUT-OUTPUT CONTROL UNIT MODEL 3												U 6
U 8	SYSTEM B5500												U 8

ELECTRODATA M&E DIVISION **Burroughs Corporation** PASADENA CALIFORNIA
PROPERTY OF BURROUGHS CORPORATION. NOT TO BE REPRODUCED, NOR USED FOR MANUFACTURING PURPOSES, EXCEPT ON BURROUGHS ORDER OR PRIOR WRITTEN CONSENT.

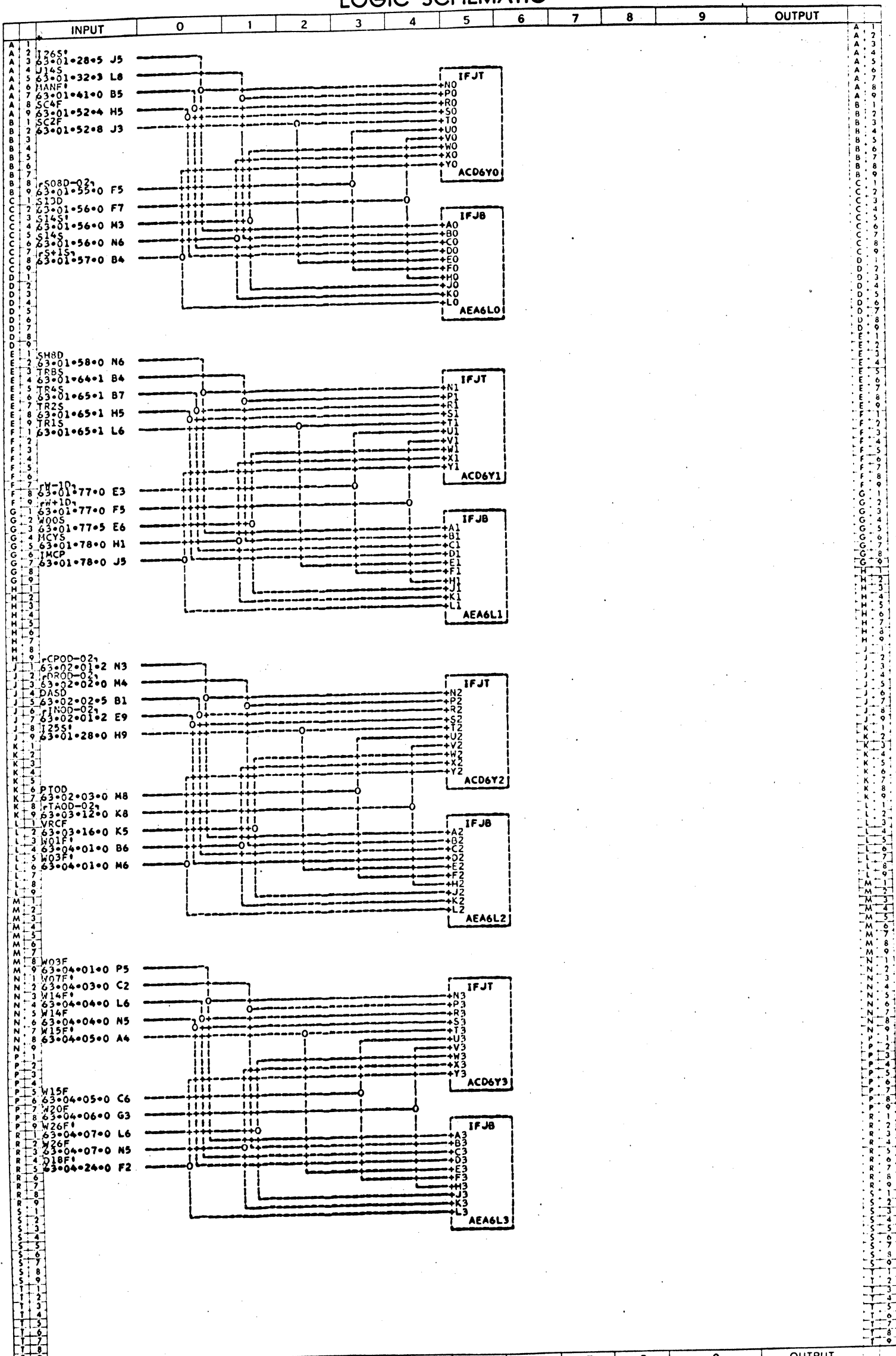
LOGIC SCHEMATIC



INPUT	0	1	2	3	4	5	6	7	8	9	OUTPUT
U 2	TITLE INTER FRAME JUMPERS										U 2
U 4	DRAWN BY TOM JONES 5-20-62 CHECKED BY ZIMES H- 11203767AA 8-22-62										U 4
U 6	UNIT NAME INPUT-OUTPUT CONTROL UNIT MODEL 3 UNIT NO. 16303125										U 6
U 8	SYSTEM 85200 PAGE NO. 63-94-07-0										U 8

ELECTRODATA **Burroughs Corporation** **PASADENA CALIFORNIA**
 M & E DIVISION
PROPERTY OF BURROUGHS CORPORATION. NOT TO BE REPRODUCED, NOR USED FOR MANUFACTURING PURPOSES, EXCEPT ON BURROUGHS ORDER OR PRIOR WRITTEN CONSENT.

LOGIC SCHEMATIC



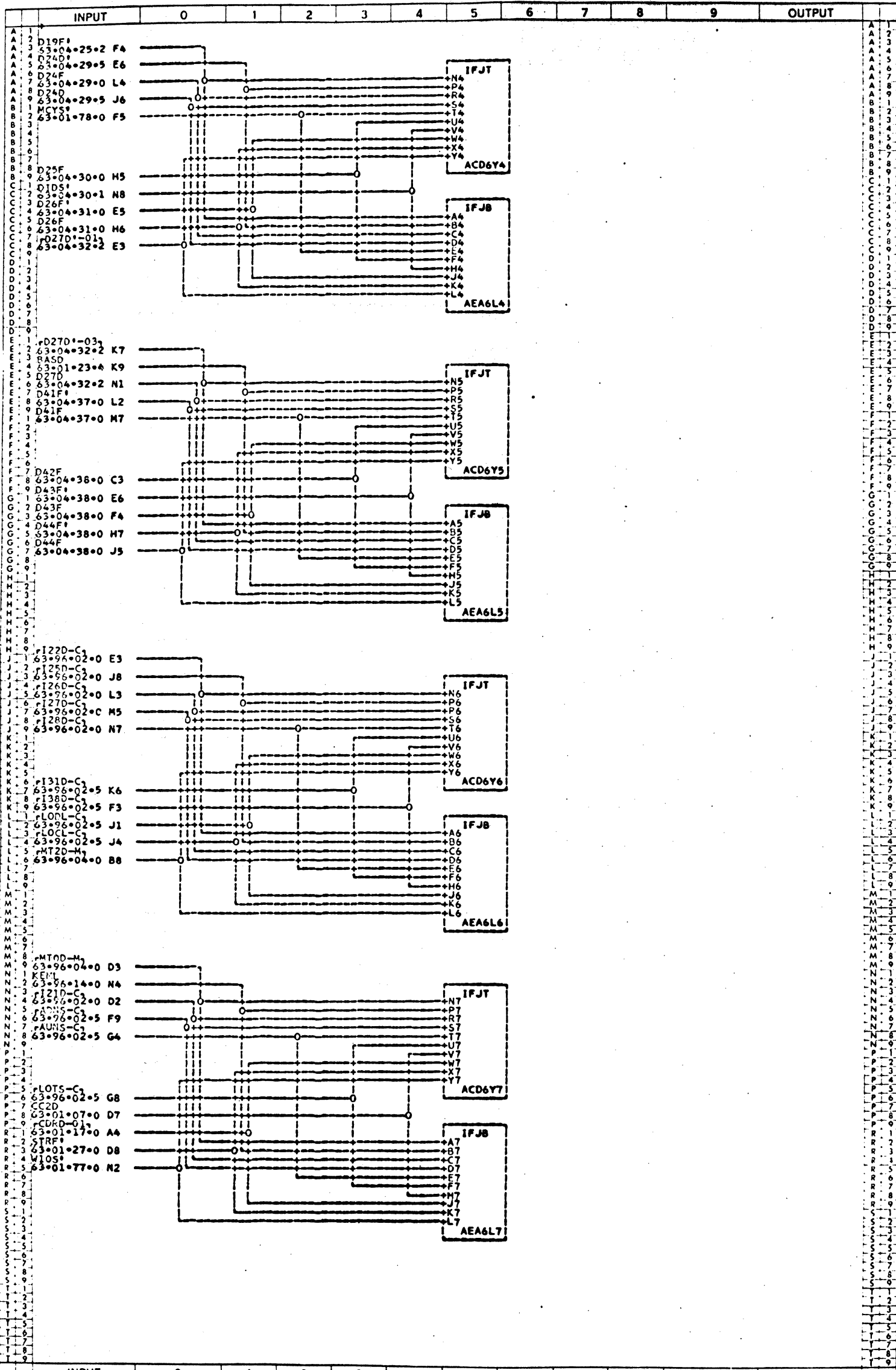
U 2	TITLE	INTER FRAME JUMPERS	H-	11203775AA							U 2
U 4	DRAWN BY	TOM JONES 5-28-62	CHECKED BY	ZINES	8-22-62						U 4
U 6	UNIT NAME	INPUT-OUTPUT CONTROL UNIT MODEL 3	UNIT NO.	16303125							U 6
U 8	SYSTEM	B5300	PAGE NO.	63-94-08-0							U 8

ELECTRODATA
M & E DIVISION

Burroughs Corporation
PASADENA CALIFORNIA

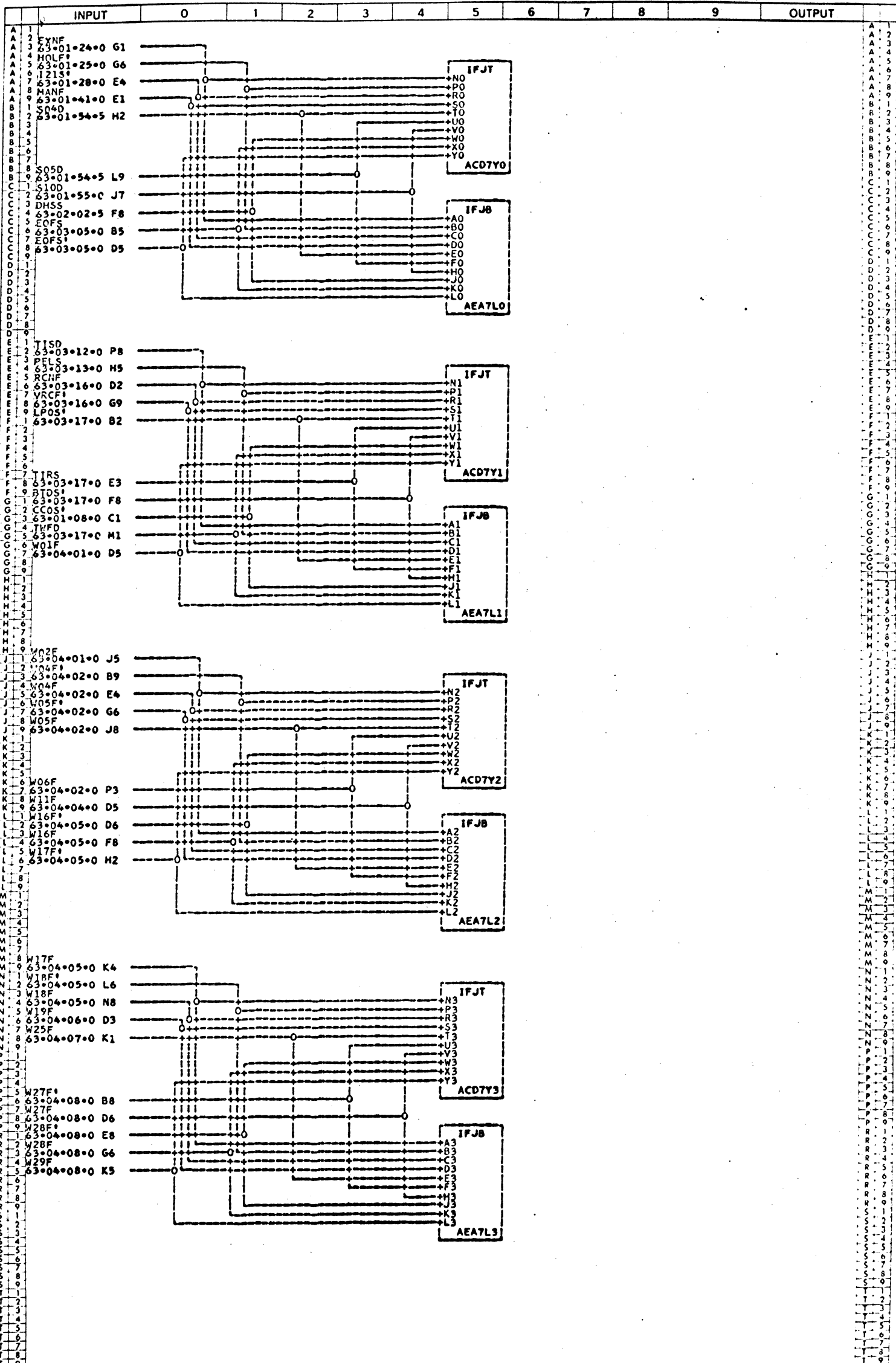
PROPERTY OF BURROUGHS CORPORATION. NOT TO BE REPRODUCED, NOR USED FOR MANUFACTURING PURPOSES, EXCEPT ON BURROUGHS ORDER OR PRIOR WRITTEN CONSENT.

LOGIC SCHEMATIC



U 2	U 4	U 6	U 8	TITLE	DRAWN BY	CHECKED BY	UNIT NO.	UNIT NAME	PAGE NO.	PROPERTY OF	PASADENA	CALIFORNIA
				INTER FRAME JUMPERS	TOM JONES 5-28-62	ZINES	16303125	MODEL 3	62-94-09-0	BURROUGHS CORPORATION	PASADENA	CALIFORNIA

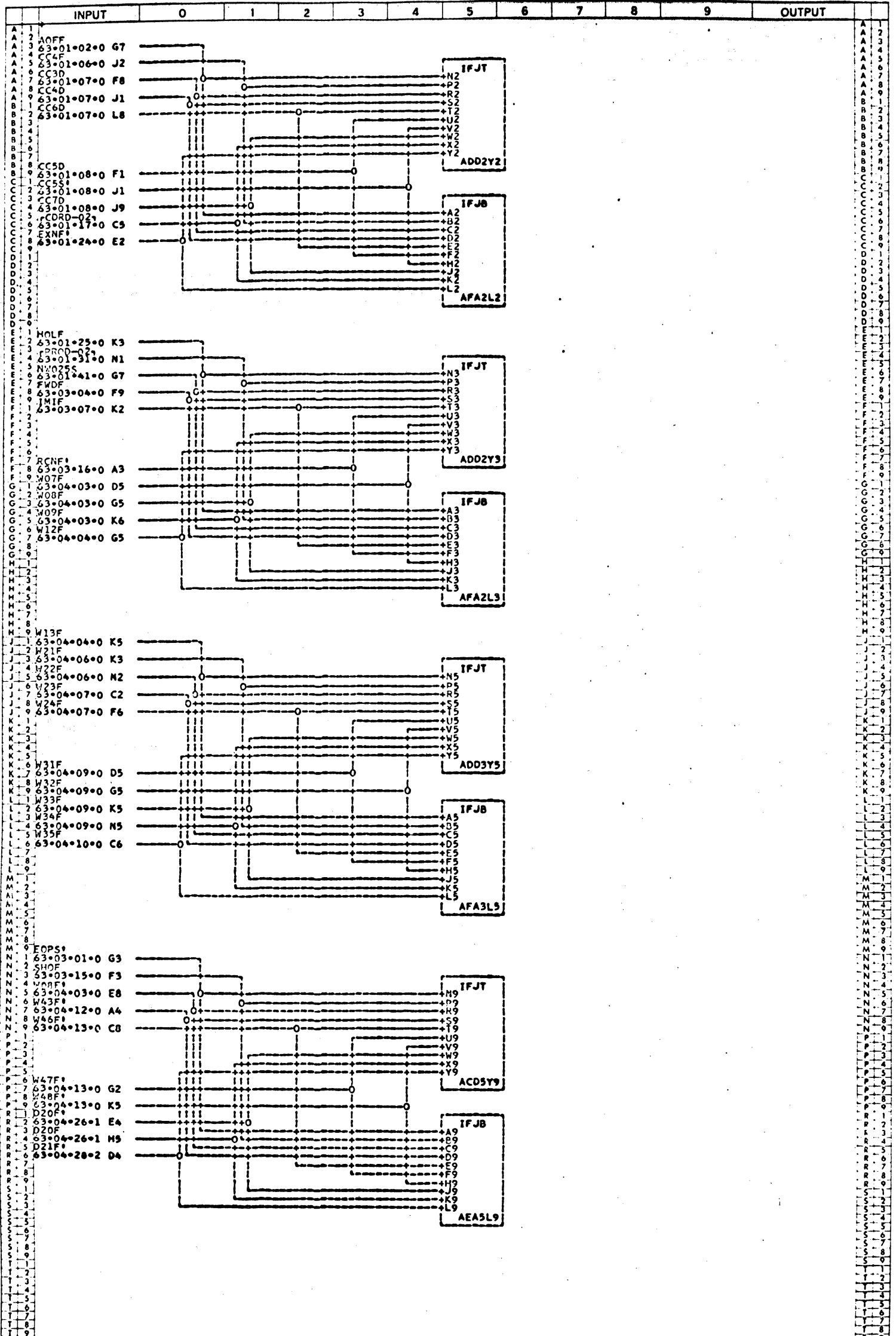
LOGIC SCHEMATIC



INPUT	0	1	2	3	4	5	6	7	8	9	OUTPUT
U 2	TITLE INTER FRAME JUMPERS										U 2
U 4	DRAWN BY TOM JONES 5-28-62										U 4
U 6	UNIT NAME INPUT-OUTPUT CONTROL UNIT MODEL 3										U 6
U 8	SYSTEM 85500										U 8

Burroughs Corporation
 ELECTRODATA M&E DIVISION PASADENA CALIFORNIA
 PROPERTY OF BURROUGHS CORPORATION NOT TO BE REPRODUCED, NOR USED FOR MANUFACTURING PURPOSES EXCEPT ON BURROUGHS ORDER OR PRIOR WRITTEN CONSENT

LOGIC SCHEMATIC



U	INPUT	0	1	2	3	4	5	6	7	8	9	OUTPUT	U
2	TITLE INTER FRAME JUMPERS												2
4	DRAWN BY TOM JONES 5-28-62												4
6	UNIT NAME INPUT-OUTPUT CONTROL UNIT MODEL 3												6
8	SYSTEM B5500												8

M- 11203809AA
8-22-62
UNIT NO. 16303125
PAGE NO. 62-94-1100

ELECTRODATA
M&E DIVISION

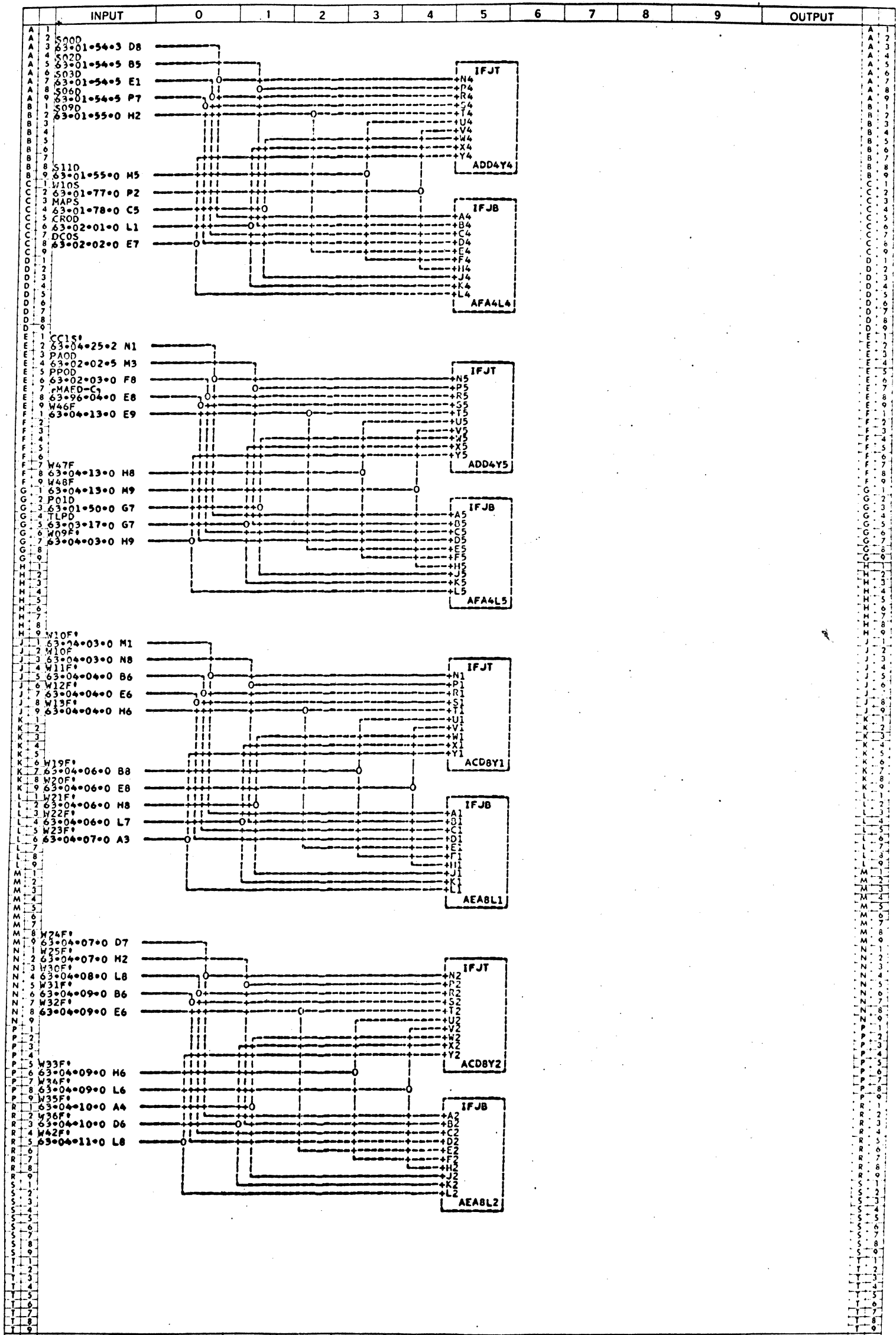
Burroughs Corporation
PASADENA CALIFORNIA

PROPERTY OF BURROUGHS CORPORATION NOT TO BE REPRODUCED, NOR USED FOR MANUFACTURING PURPOSES, EXCEPT ON BURROUGHS ORDER OR PRIOR WRITTEN CONSENT

U 2
U 4
U 6
U 8

800 1057-1 REV 5-62

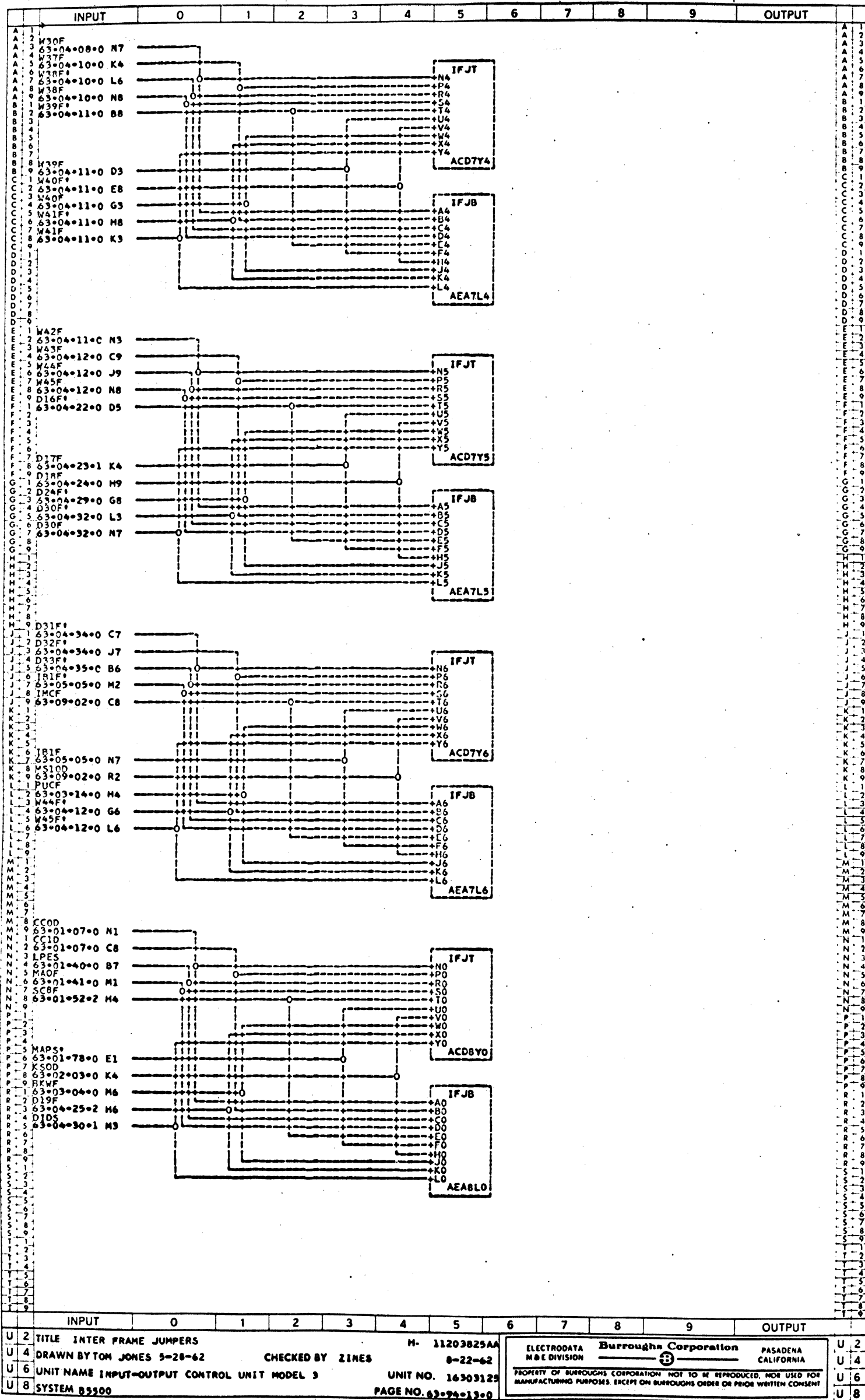
LOGIC SCHEMATIC



	INPUT	0	1	2	3	4	5	6	7	8	9	OUTPUT
U 2	TITLE INTER FRAME JUMPERS											
U 4	DRAWN BY TOM JONES 5-28-62 CHECKED BY ZINES M- 11203817AA 8-22-62											
U 6	UNIT NAME INPUT-OUTPUT CONTROL UNIT MODEL 3 UNIT NO. 16303125											
U 8	SYSTEM 85500 PAGE NO. 63-94-12-0											

ELECTRODATA **Burroughs Corporation** PASADENA CALIFORNIA
 M & E DIVISION PROPERTY OF BURROUGHS CORPORATION NOT TO BE REPRODUCED, NOR USED FOR MANUFACTURING PURPOSES EXCEPT ON BURROUGHS ORDER OR PRIOR WRITTEN CONSENT

LOGIC SCHEMATIC



ELECTRODATA M&E DIVISION **Burroughs Corporation** PASADENA CALIFORNIA
 PROPERTY OF BURROUGHS CORPORATION NOT TO BE REPRODUCED, NOR USED FOR MANUFACTURING PURPOSES EXCEPT ON BURROUGHS ORDER OR PRIOR WRITTEN CONSENT

M- 11203825AA

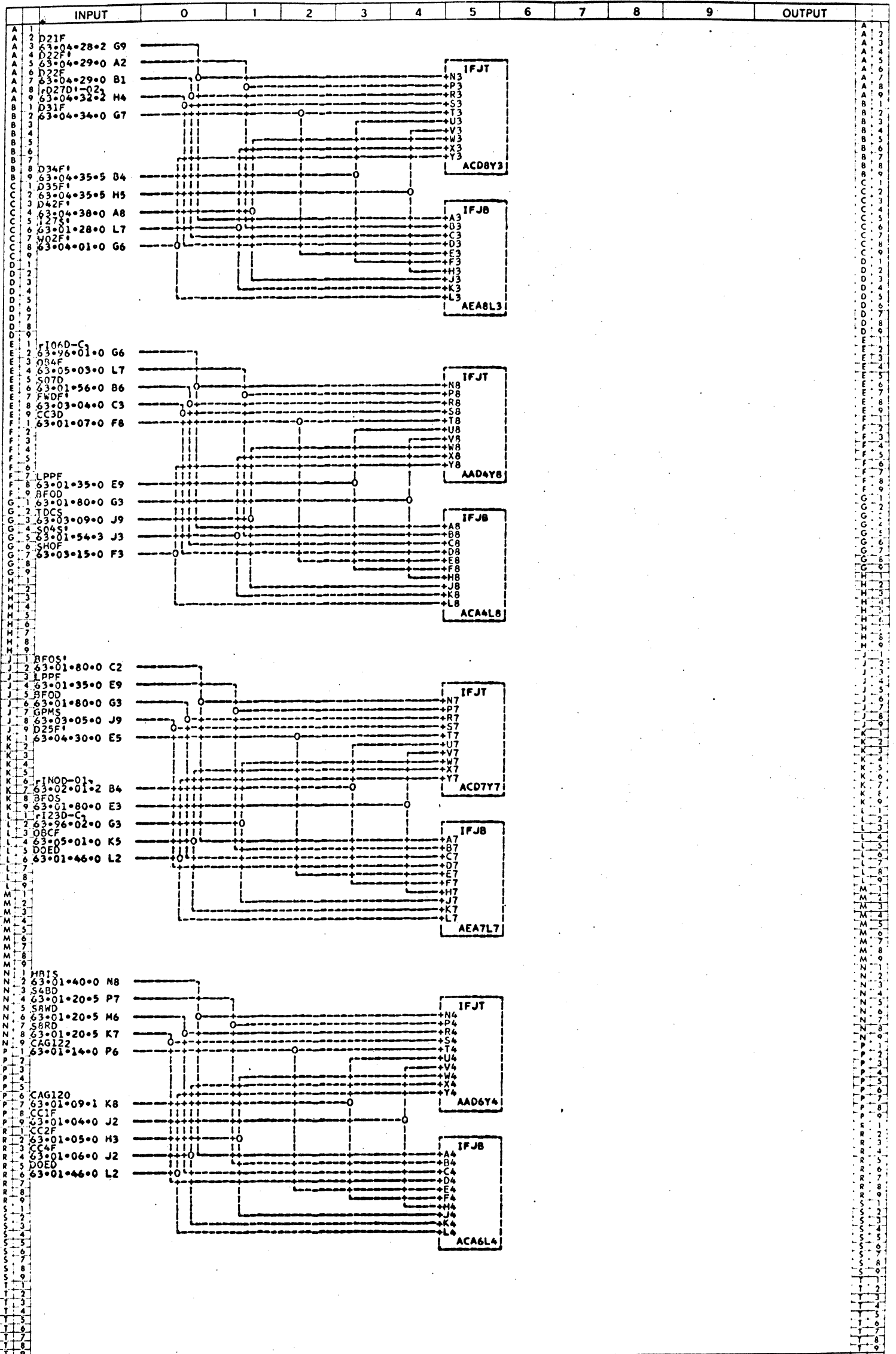
8-22-62

UNIT NO. 16303129

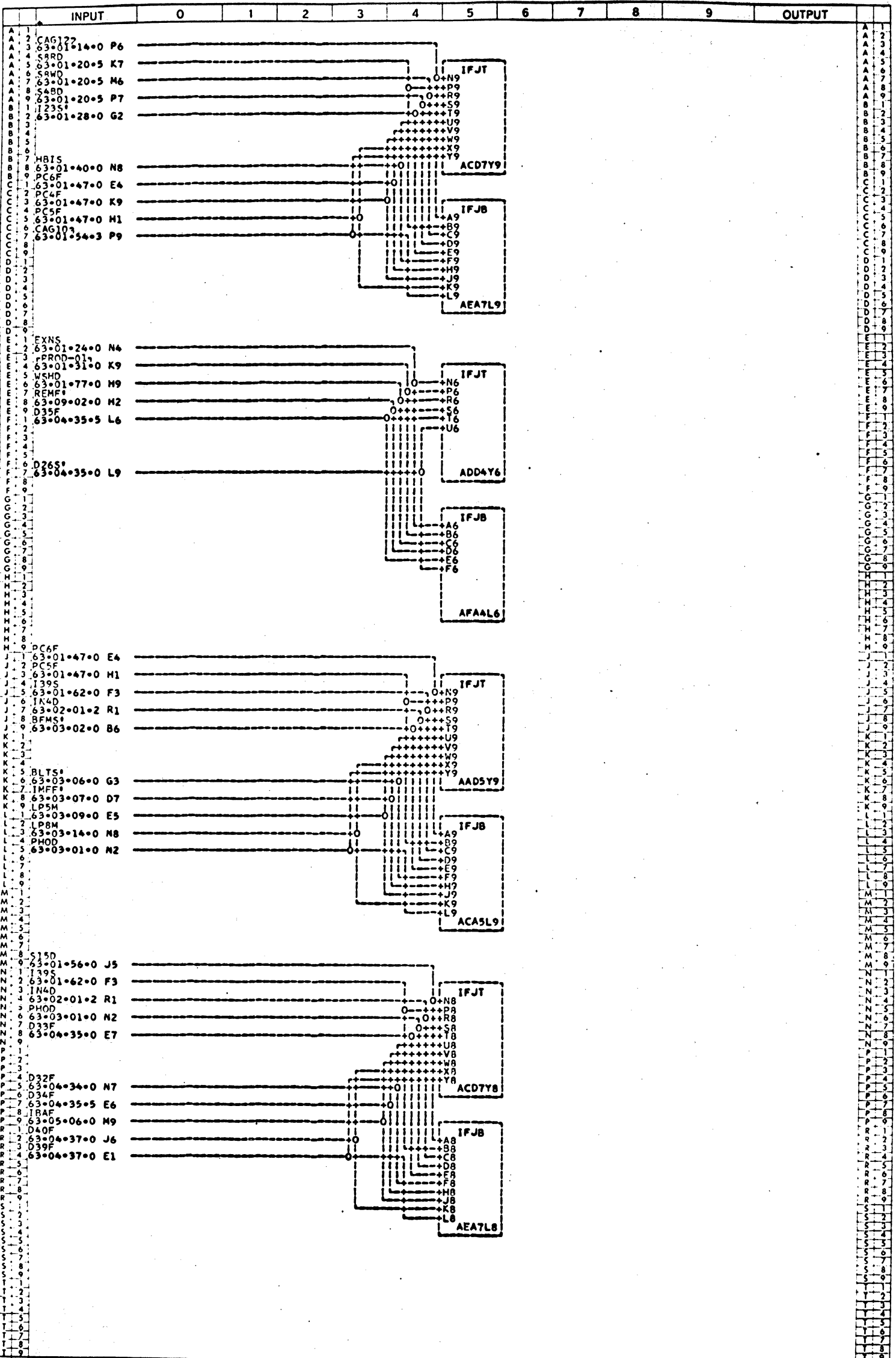
PAGE NO. 63-94-13-0

U 2
 U 4
 U 6
 U 8

LOGIC SCHEMATIC



LOGIC SCHEMATIC



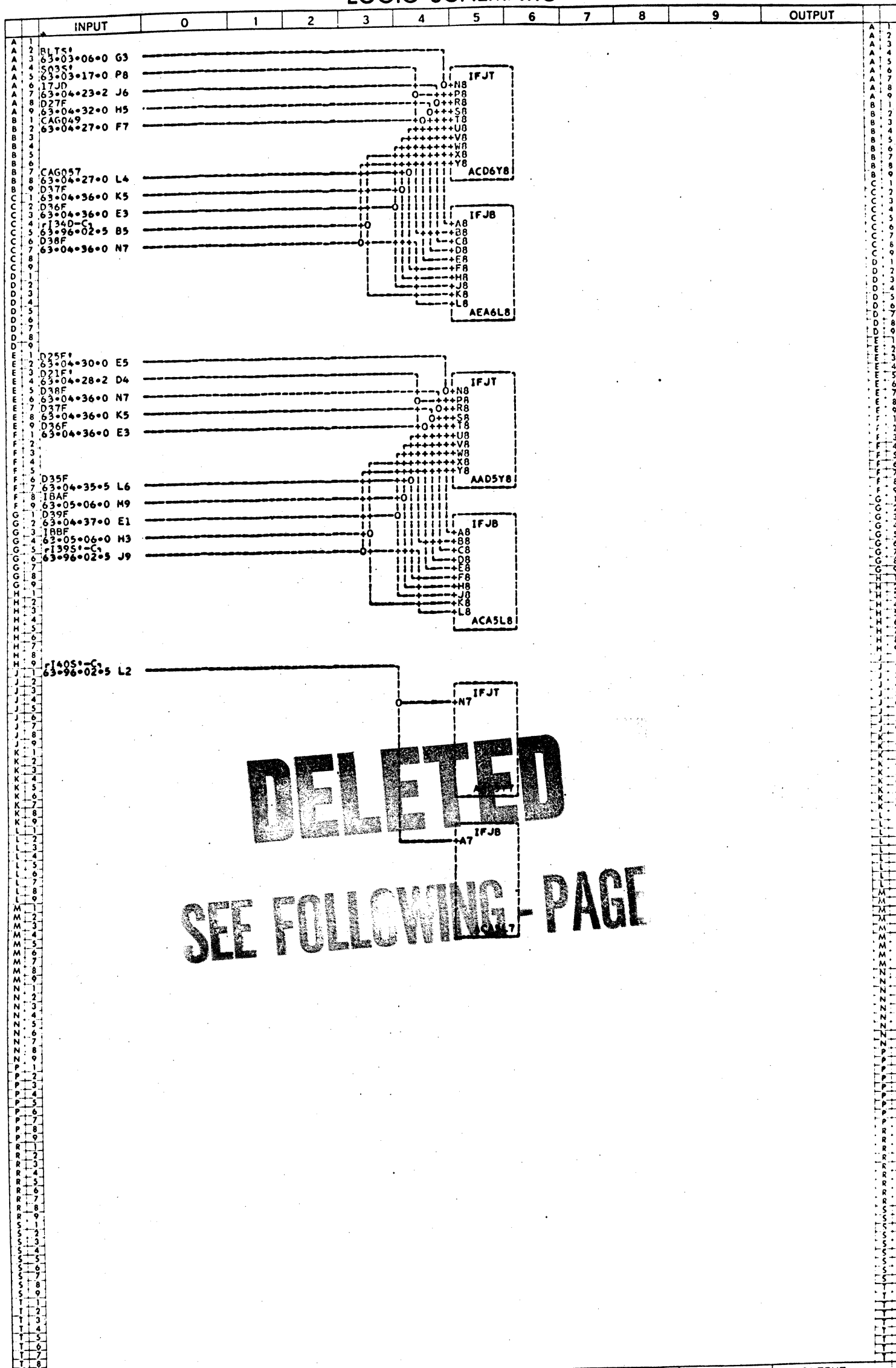
	INPUT	0	1	2	3	4	5	6	7	8	9	OUTPUT		
U 2	TITLE	INTER FRAME JUMPERS										M- 11204286AC	U 2	
U 4	DRAWN BY	TOM JONES 4-29-65		CHECKED BY										U 4
U 6	UNIT NAME	INPUT-OUTPUT CONTROL UNIT MODEL 3										UNIT NO. 16303125	U 6	
U 8	SYSTEM	B5500										PAGE NO. 63-94-15-0	U 8	

ELECTRODATA
M & E DIVISION

Burroughs Corporation
PASADENA
CALIFORNIA

PROPERTY OF BURROUGHS CORPORATION NOT TO BE REPRODUCED, NOR USED FOR MANUFACTURING PURPOSES, EXCEPT ON BURROUGHS ORDER OR PRIOR WRITTEN CONSENT.

LOGIC SCHEMATIC



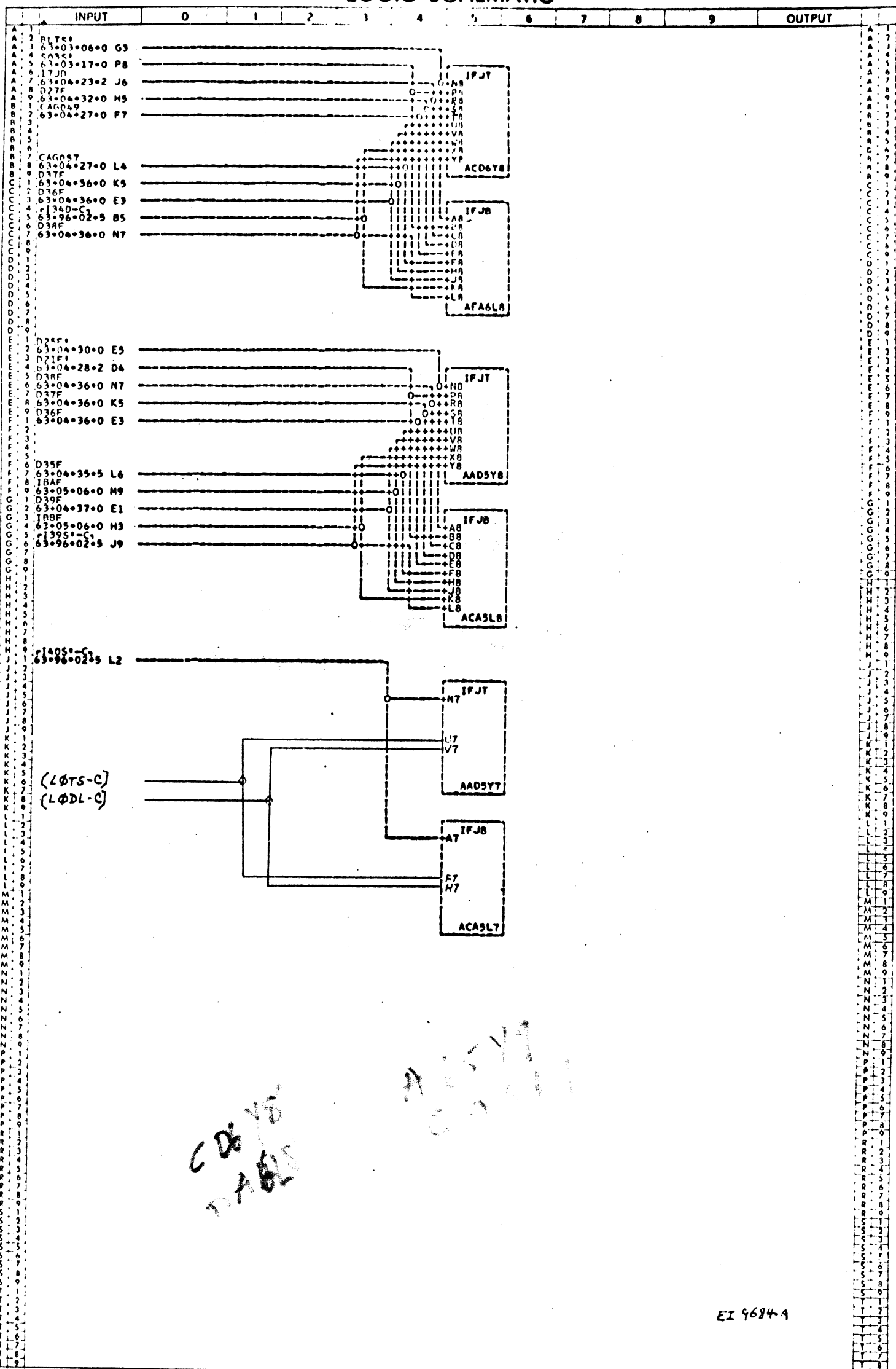
INPUT	0	1	2	3	4	5	6	7	8	9	OUTPUT
U 2	TITLE INTER FRAME JUMPERS										U 2
U 4	DRAWN BY TOM JONES 4-30-65 CHECKED BY										U 4
U 6	UNIT NAME INPUT-OUTPUT CONTROL UNIT MODEL 3										U 6
U 8	SYSTEM B5500										U 8

ELECTRODATA **Burroughs Corporation** PASADENA CALIFORNIA

M & E DIVISION

PROPERTY OF BURROUGHS CORPORATION NOT TO BE REPRODUCED, NOR USED FOR MANUFACTURING PURPOSES, EXCEPT ON BURROUGHS ORDER OR PRIOR WRITTEN CONSENT.

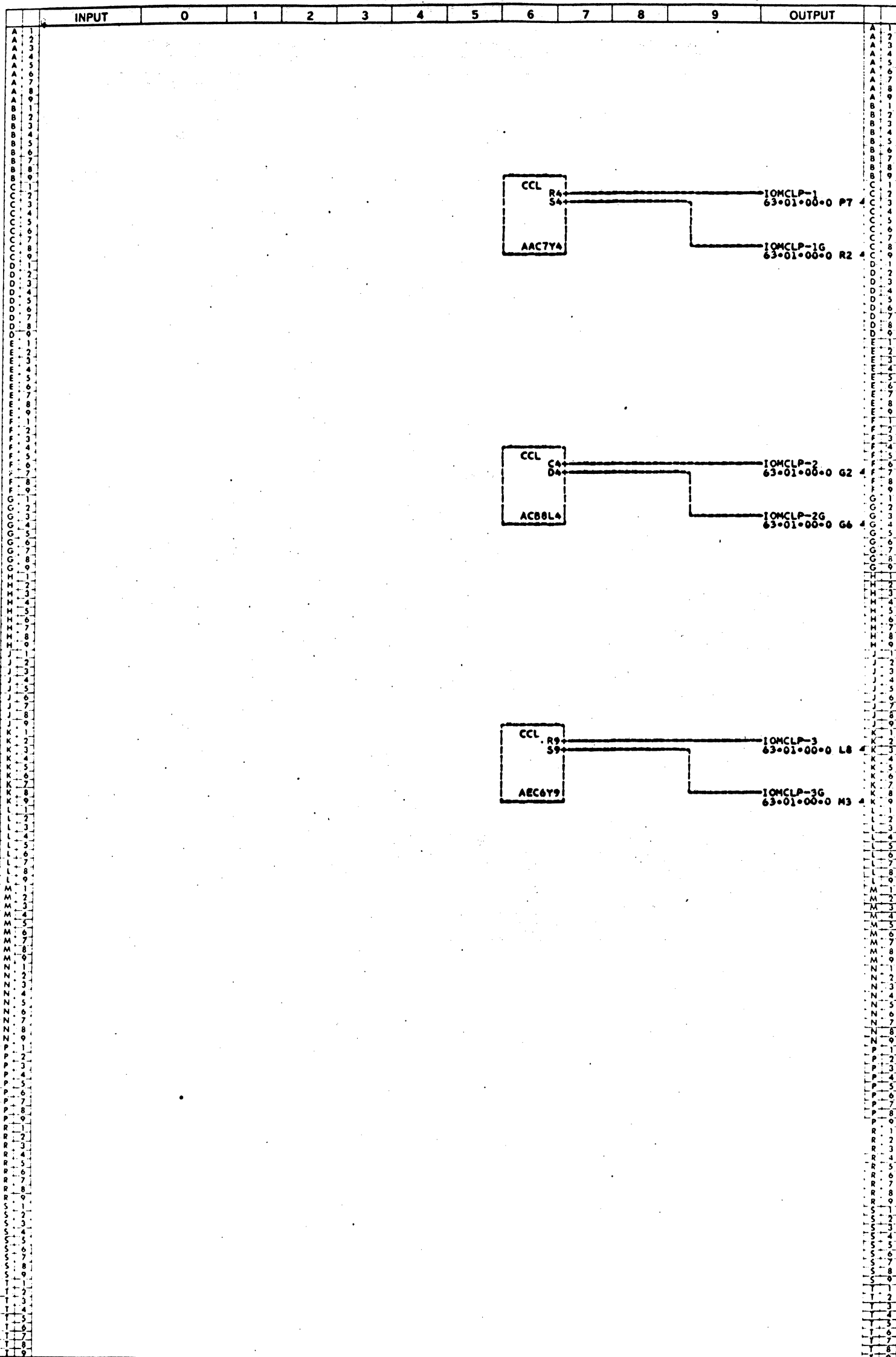
LOGIC SCHEMATIC



EI 9694-A

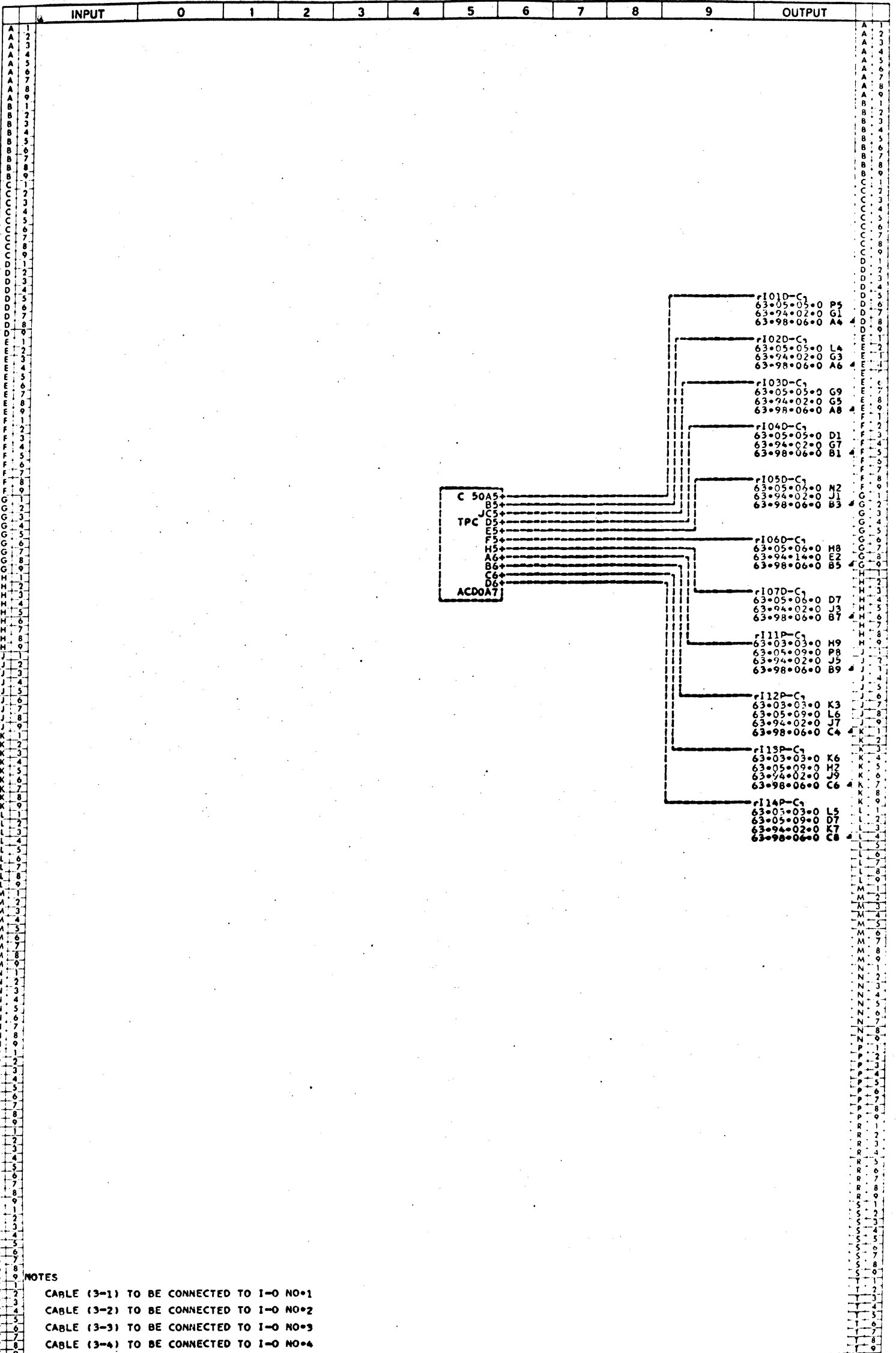
	INPUT	0	1	2	3	4	5	6	7	8	9	OUTPUT	
U 2	TITLE	INTER FRAME JUMPERS										U 2	
U 4	DRAWN BY	TOM JONES		4-30-65		CHECKED BY							U 4
U 6	UNIT NAME	INPUT-OUTPUT CONTROL UNIT MODEL 3										U 6	
U 8	SYSTEM	B5500										U 8	
						M- 11204290AE							
						UNIT NO. 16303125							
						PAGE NO. 432901A10							
						ELECTRODATA		Burroughs Corporation			PASADENA CALIFORNIA		
						M & E DIVISION		Ⓢ					
		PROPERTY OF BURROUGHS CORPORATION NOT TO BE REPRODUCED, NOR USED FOR MANUFACTURING PURPOSES, EXCEPT ON BURROUGHS ORDER OR PRIOR WRITTEN CONSENT											

LOGIC SCHEMATIC



U	TITLE	DRAWN BY	CHECKED BY	UNIT NO.	PAGE NO.	ELECTRODATA	Burrhoughs Corporation	PASADENA CALIFORNIA
2	CLOCK CONNECTORS	R WILLIAMS 12-11-61	R ENGLISH	11209801AA	16903125			
4	INPUT-OUTPUT CONTROL UNIT MODEL 3					PROPERTY OF BURROUGHS CORPORATION NOT TO BE REPRODUCED, NOR USED FOR MANUFACTURING PURPOSES EXCEPT ON BURROUGHS ORDER OR PRIOR WRITTEN CONSENT		
6								
8	SYSTEM 85500							

LOGIC SCHEMATIC

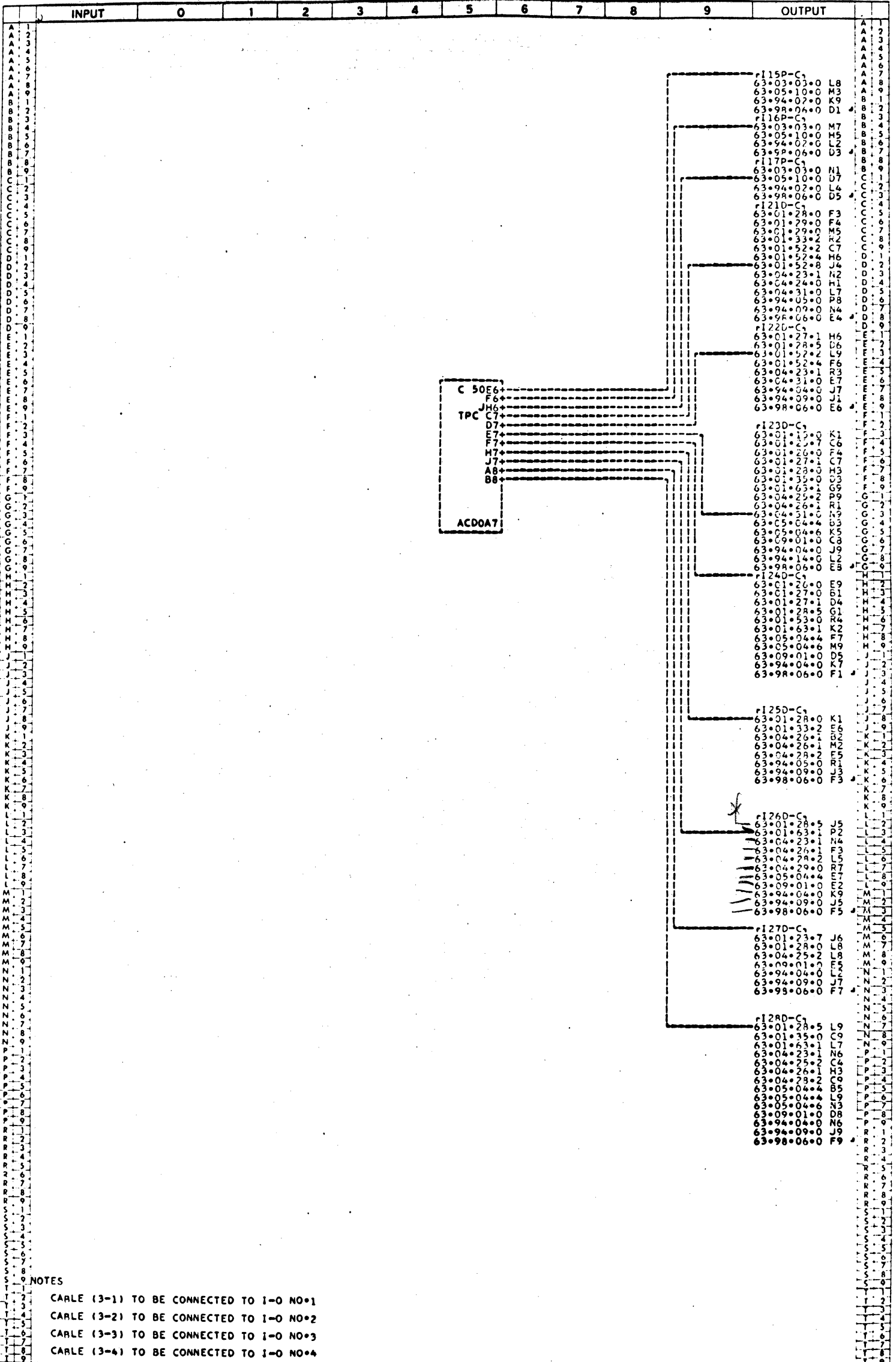


NOTES

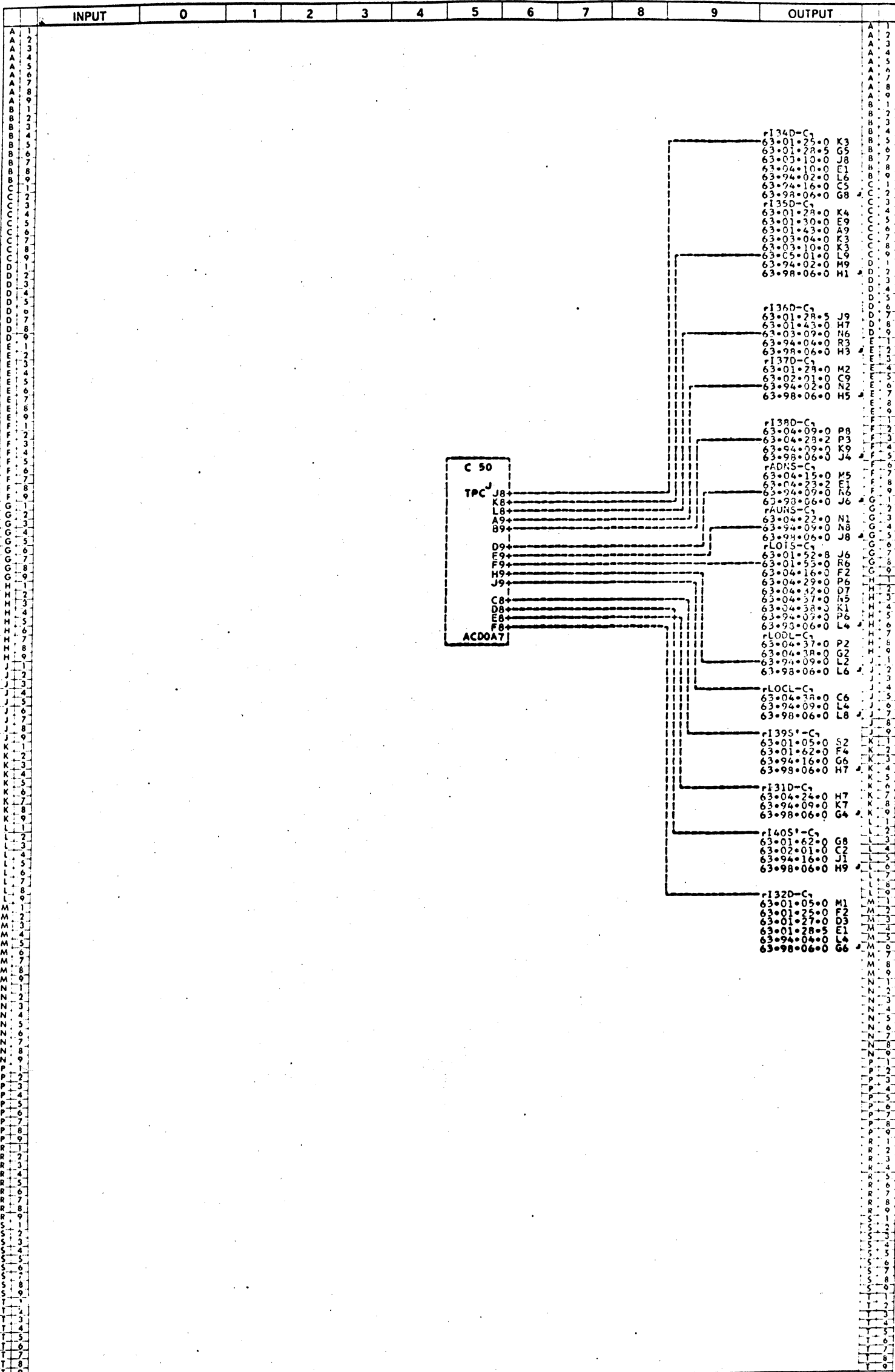
- CABLE (3-1) TO BE CONNECTED TO I-O NO.1
- CABLE (3-2) TO BE CONNECTED TO I-O NO.2
- CABLE (3-3) TO BE CONNECTED TO I-O NO.3
- CABLE (3-4) TO BE CONNECTED TO I-O NO.4

	INPUT	0	1	2	3	4	5	6	7	8	9	OUTPUT
U 2	TITLE I-O INPUT LINES (3-1) (PAGE 1 OF 3) H- 11203858A											U 2
U 4	DRAWN BY T. URMOS CHECKED BY RE PASADENA CALIFORNIA											U 4
U 6	UNIT NAME INPUT-OUTPUT CONTROL UNIT MODEL 3. UNIT NO. 16303125											U 6
U 8	SYSTEM B5500 PAGE NO. 63-96-01-00											U 8

LOGIC SCHEMATIC



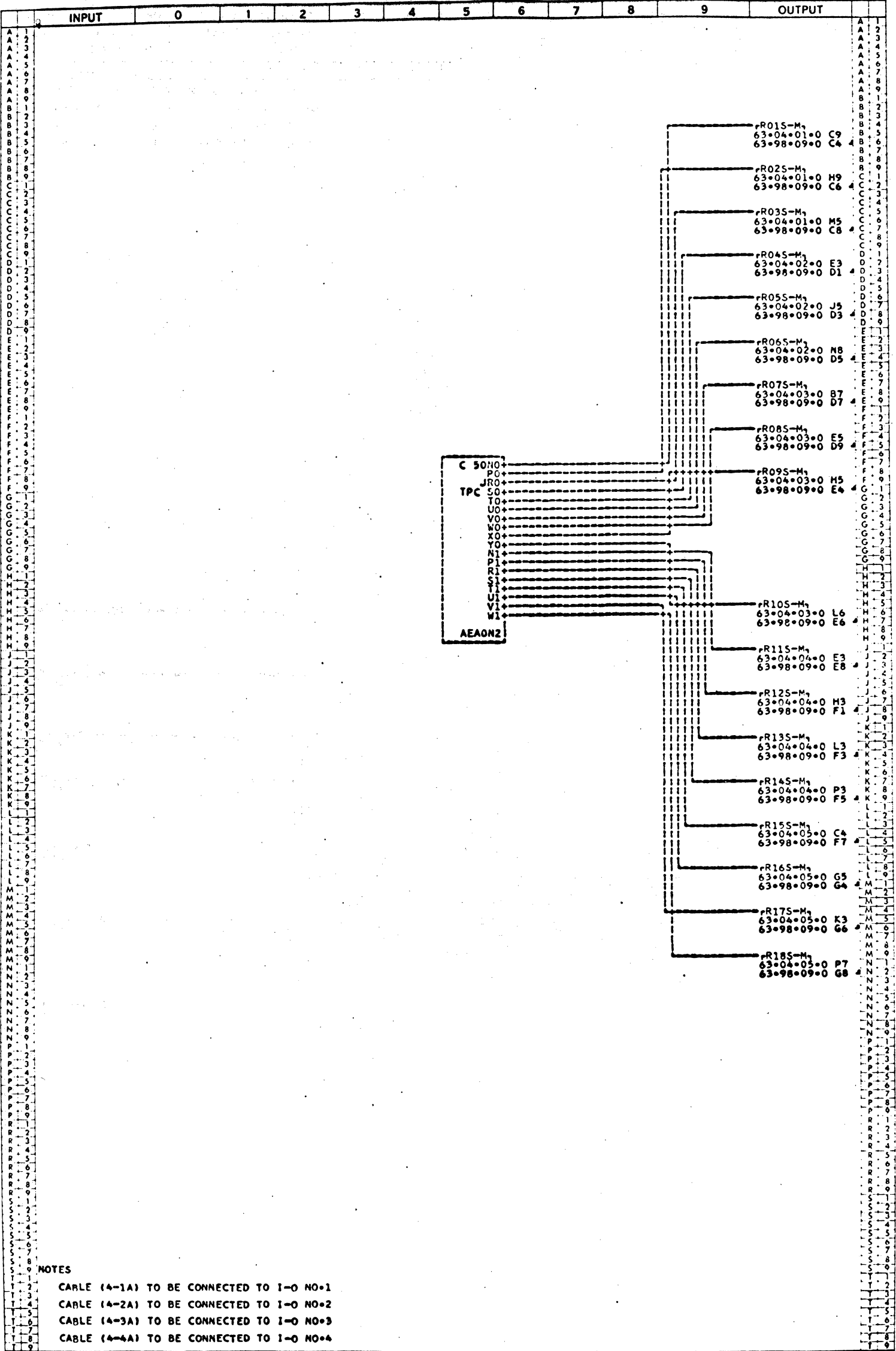
LOGIC SCHEMATIC



INPUT	0	1	2	3	4	5	6	7	8	9	OUTPUT
U 2	TITLE 1-0 INPUT LINES (3-1) (PAGE 3 OF 3) H- 11203874AC										U 2
U 4	DRAWN BY C DOOLING CHECKED BY SNOODGRASS										U 4
U 6	UNIT NAME INPUT-OUTPUT CONTROL UNIT MODEL 3 UNIT NO. 16303125										U 6
U 8	SYSTEM B5500 PAGE NO. 63-96-02-5										U 8

ELECTRODATA
M & E DIVISION
Burroughs Corporation
PASADENA
CALIFORNIA
PROPERTY OF BURROUGHS CORPORATION NOT TO BE REPRODUCED NOR USED FOR
MANUFACTURING PURPOSES EXCEPT ON BURROUGHS ORDER OR PRIOR WRITTEN CONSENT.

LOGIC SCHEMATIC



NOTES

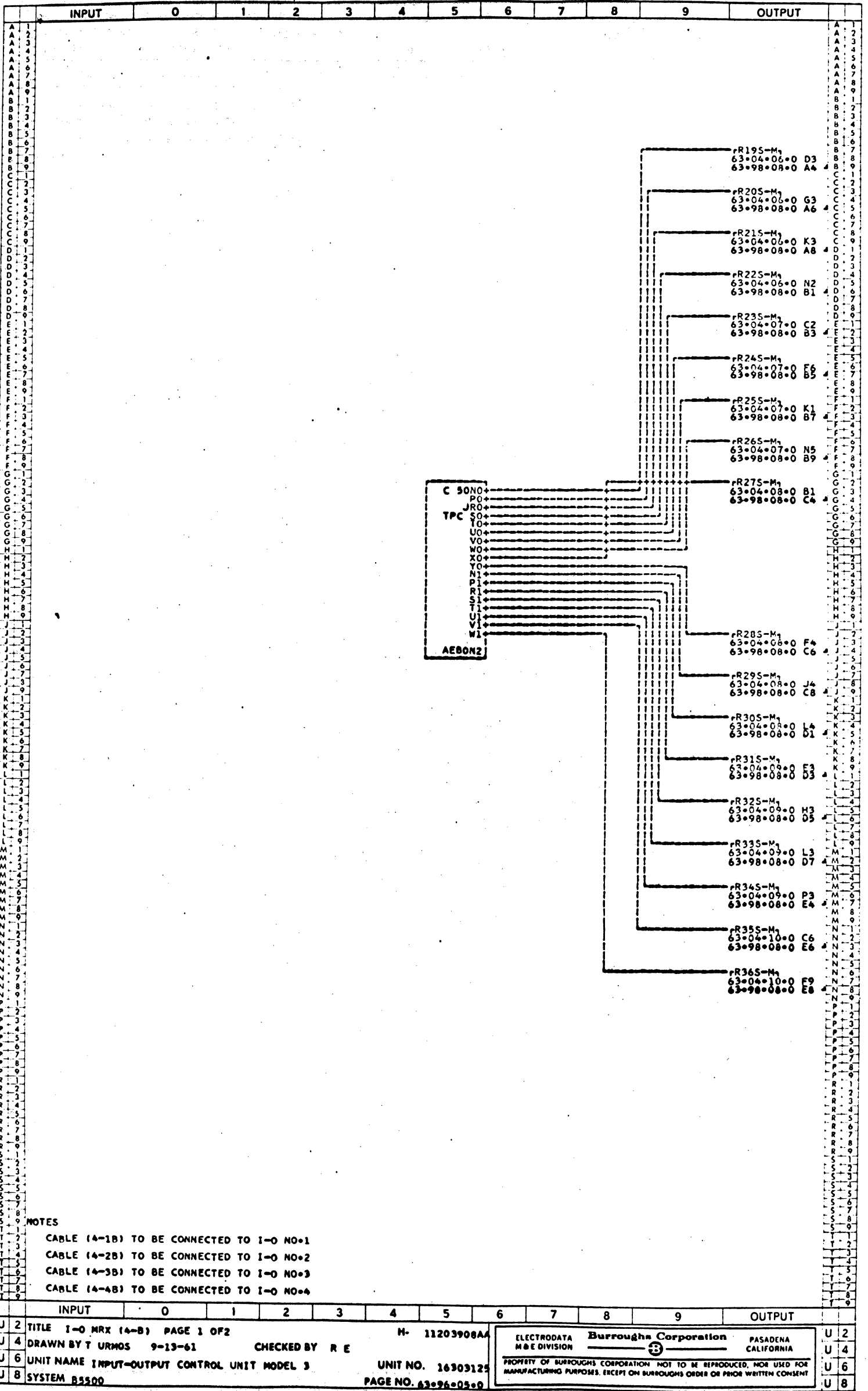
- CABLE (4-1A) TO BE CONNECTED TO I-O NO.1
- CABLE (4-2A) TO BE CONNECTED TO I-O NO.2
- CABLE (4-3A) TO BE CONNECTED TO I-O NO.3
- CABLE (4-4A) TO BE CONNECTED TO I-O NO.4

INPUT	0	1	2	3	4	5	6	7	8	9	OUTPUT
U 2	TITLE I-O MRX (4-A)										U 2
U 4	DRAWN BY T URMOS 9-13-61										U 4
U 6	UNIT NAME INPUT-OUTPUT CONTROL UNIT MODEL 3										U 6
U 8	SYSTEM 85500										U 8
PAGE 1 OF 2						M- 11203882A					
CHECKED BY						R E					
UNIT NO. 16903125						PAGE NO. 63-96-03-0					

ELECTRODATA **Burroughs Corporation** PASADENA CALIFORNIA
M & E DIVISION

PROPERTY OF BURROUGHS CORPORATION NOT TO BE REPRODUCED, NOR USED FOR MANUFACTURING PURPOSES, EXCEPT ON BURROUGHS ORDER OR PRIOR WRITTEN CONSENT

LOGIC SCHEMATIC



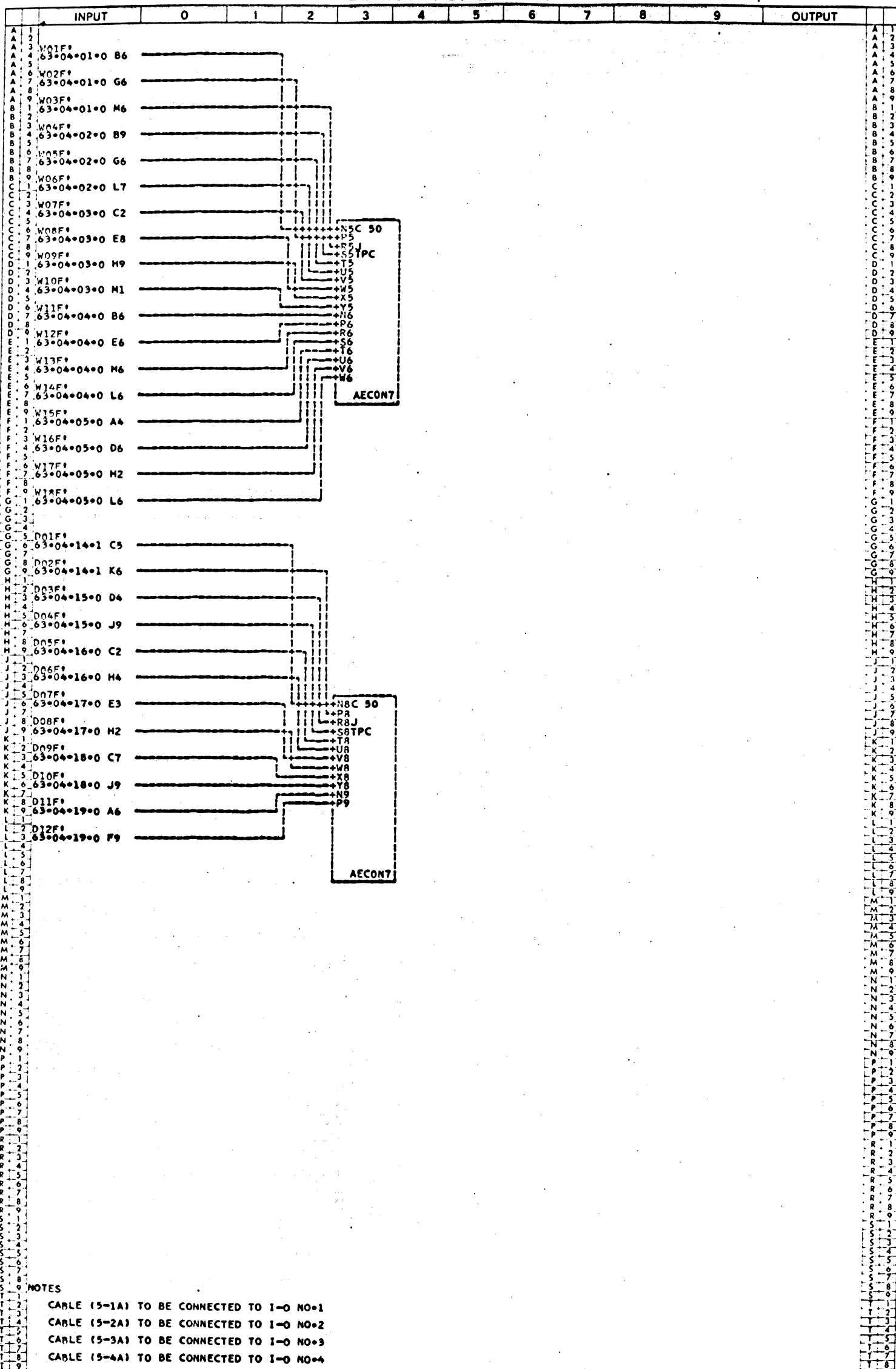
- NOTES**
- CABLE (A-1B) TO BE CONNECTED TO I-O NO.1
 - CABLE (A-2B) TO BE CONNECTED TO I-O NO.2
 - CABLE (A-3B) TO BE CONNECTED TO I-O NO.3
 - CABLE (A-4B) TO BE CONNECTED TO I-O NO.4

INPUT	0	1	2	3	4	5	6	7	8	9	OUTPUT
U 2	TITLE I-O MRX (A-B) PAGE 1 OF 2										U 2
U 4	DRAWN BY T URMOS 9-13-61 CHECKED BY R E										U 4
U 6	UNIT NAME INPUT-OUTPUT CONTROL UNIT MODEL 3										U 6
U 8	SYSTEM B5500										U 8

ELECTRODATA **Burroughs Corporation** PASADENA CALIFORNIA
 M & E DIVISION

PROPERTY OF BURROUGHS CORPORATION NOT TO BE REPRODUCED, NOR USED FOR MANUFACTURING PURPOSES, EXCEPT ON BURROUGHS ORDER OR PRIOR WRITTEN CONSENT

LOGIC SCHEMATIC



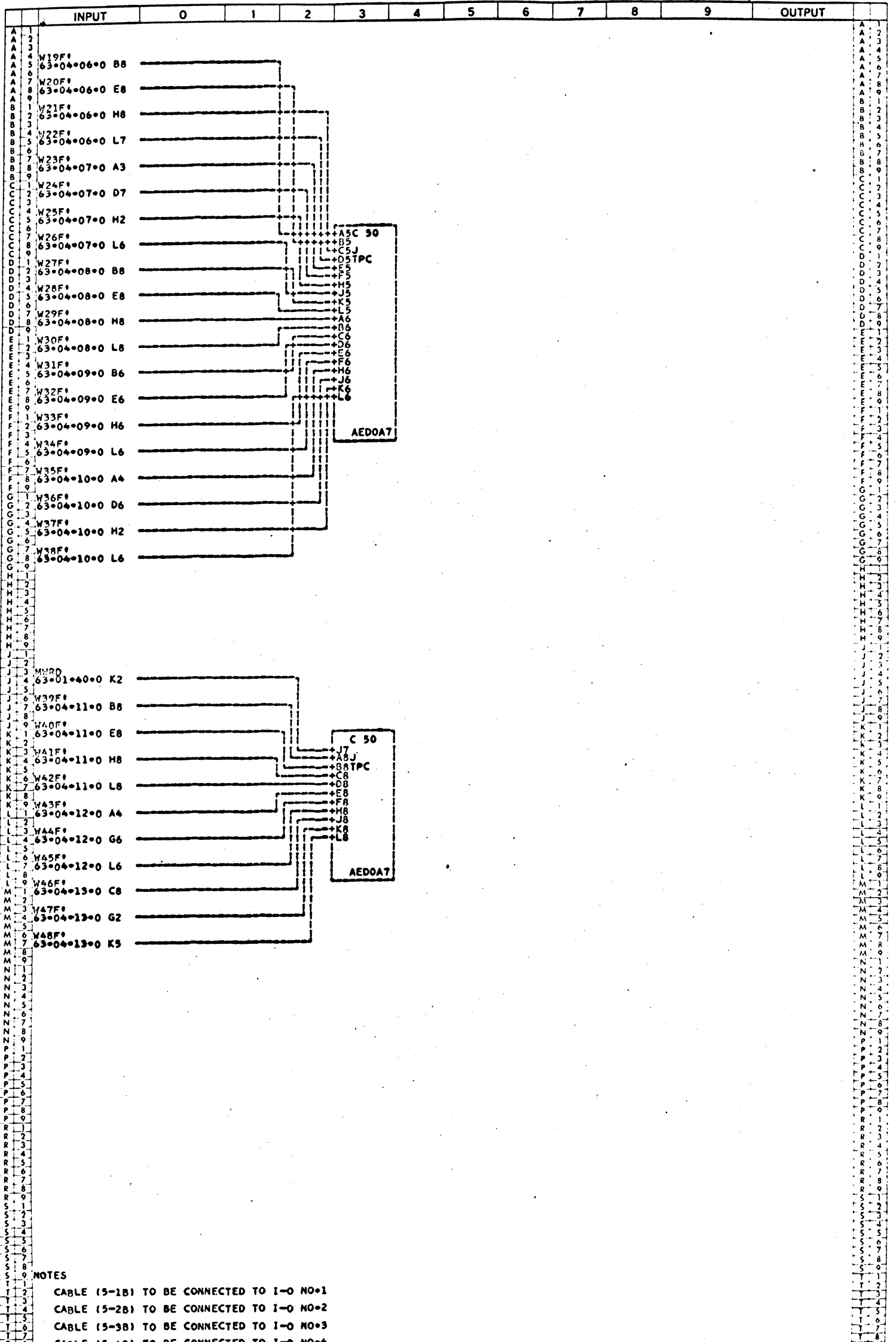
NOTES

- CABLE (5-1A) TO BE CONNECTED TO I-O NO=1
- CABLE (5-2A) TO BE CONNECTED TO I-O NO=2
- CABLE (5-3A) TO BE CONNECTED TO I-O NO=3
- CABLE (5-4A) TO BE CONNECTED TO I-O NO=4

INPUT	0	1	2	3	4	5	6	7	8	9	OUTPUT
U 2	TITLE I-O HWX (5-A)										U 2
U 4	DRAWN BY ZINES										U 4
U 6	UNIT NAME INPUT-OUTPUT CONTROL, UNIT MODEL 3										U 6
U 8	SYSTEM B5500										U 8

ELECTRODATA M&E DIVISION	Burroughs Corporation	PASADENA CALIFORNIA
<small>PROPERTY OF BURROUGHS CORPORATION NOT TO BE REPRODUCED, NOR USED FOR MANUFACTURING PURPOSES, EXCEPT ON BURROUGHS ORDER OR PRIOR WRITTEN CONSENT.</small>		

LOGIC SCHEMATIC



NOTES

CABLE (5-1B) TO BE CONNECTED TO I-0 NO-1

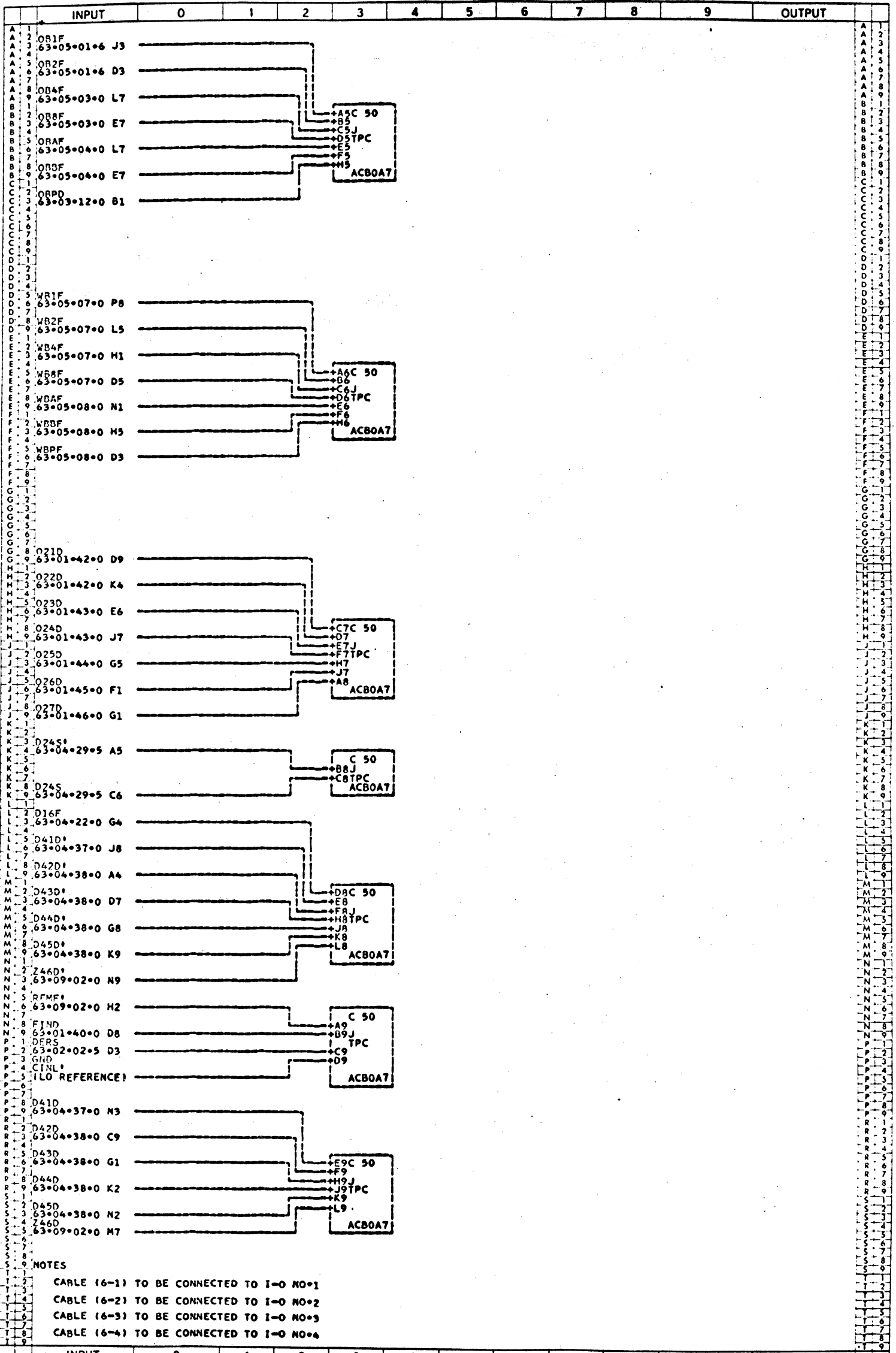
CABLE (5-2B) TO BE CONNECTED TO I-0 NO-2

CABLE (5-3B) TO BE CONNECTED TO I-0 NO-3

CABLE (5-4B) TO BE CONNECTED TO I-0 NO-4

		INPUT	0	1	2	3	4	5	6	7	8	9	OUTPUT		
U	2	TITLE	I-0 MX (5-8)										H- 11203932A	U	2
U	4	DRAWN BY	ZINES										CHECKED BY	RE	

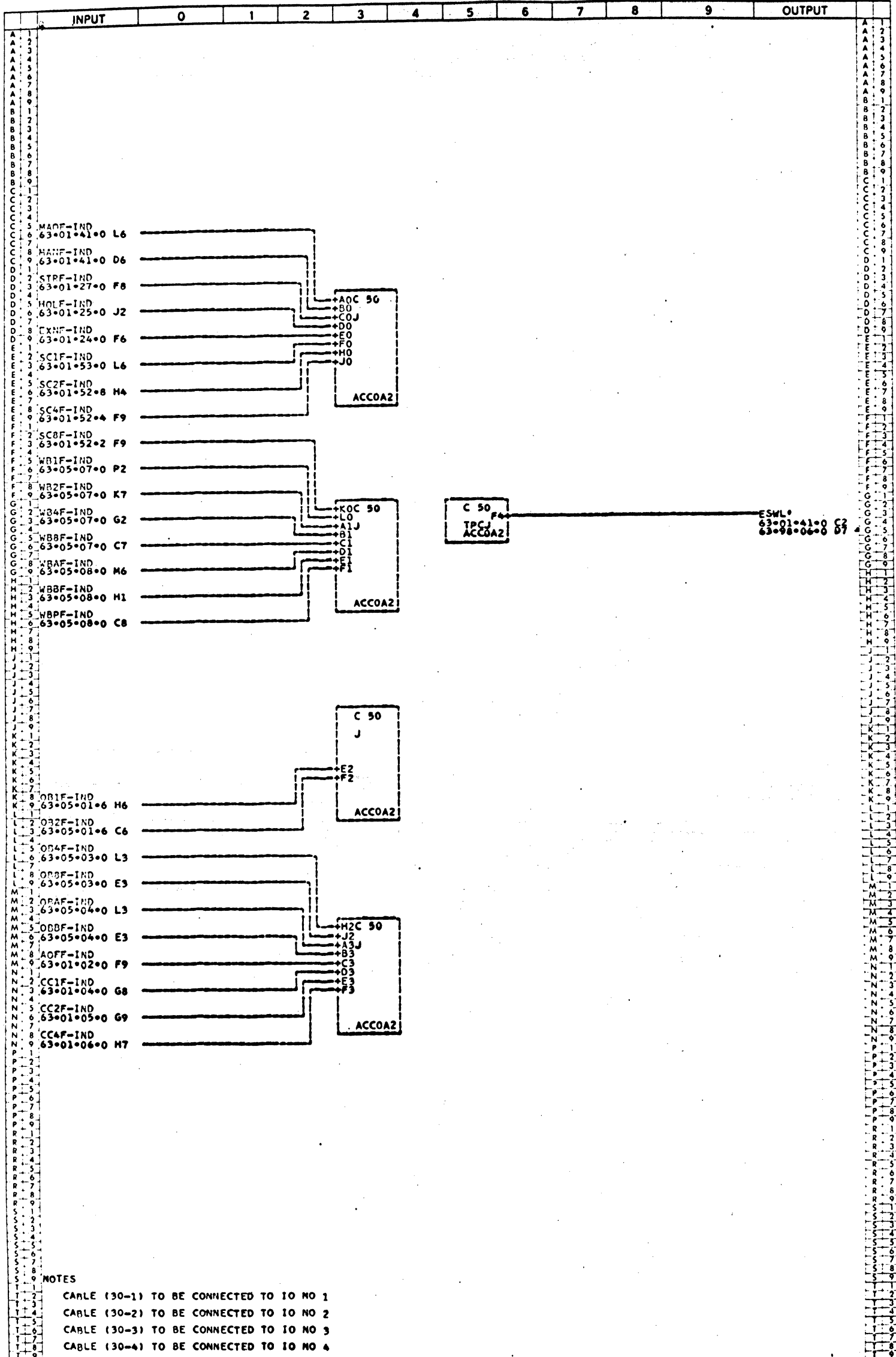
LOGIC SCHEMATIC



- NOTES
- 1 CABLE (6-1) TO BE CONNECTED TO I-O NO=1
 - 2 CABLE (6-2) TO BE CONNECTED TO I-O NO=2
 - 3 CABLE (6-3) TO BE CONNECTED TO I-O NO=3
 - 4 CABLE (6-4) TO BE CONNECTED TO I-O NO=4

	INPUT	0	1	2	3	4	5	6	7	8	9	OUTPUT		
U 2	TITLE I-O OUTPUT LINES (6-1)											U 2		
U 4	DRAWN BY ZINES		CHECKED BY		M- 11203940A R E				ELECTRODATA M & E DIVISION			PASADENA CALIFORNIA		U 4
U 6	UNIT NAME INPUT-OUTPUT CONTROL UNIT MODEL 3											U 6		
U 8	SYSTEM B1100											U 8		

LOGIC SCHEMATIC

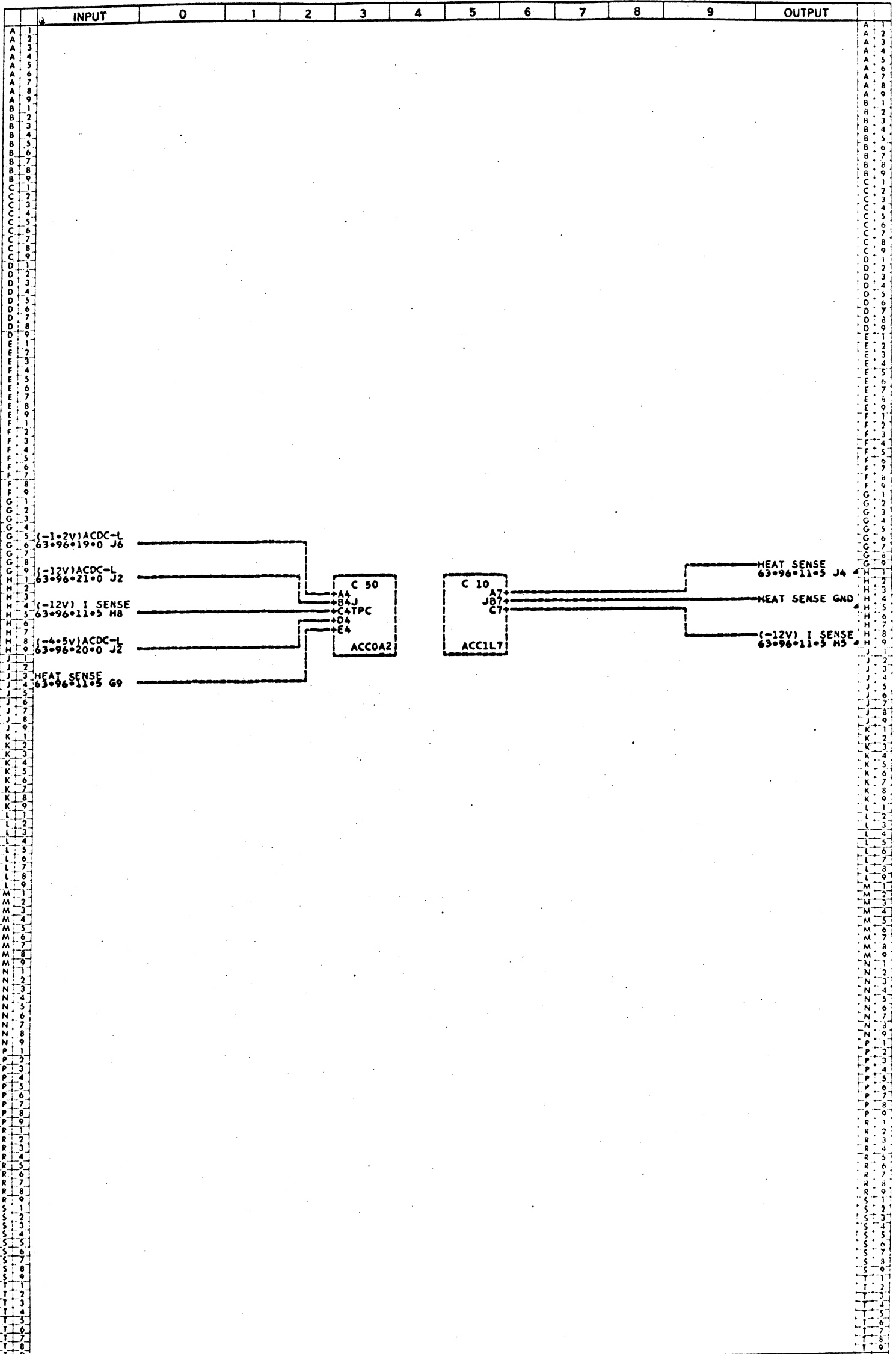


NOTES

- T 2 CABLE (30-1) TO BE CONNECTED TO IO NO 1
- T 3 CABLE (30-2) TO BE CONNECTED TO IO NO 2
- T 4 CABLE (30-3) TO BE CONNECTED TO IO NO 3
- T 5 CABLE (30-4) TO BE CONNECTED TO IO NO 4

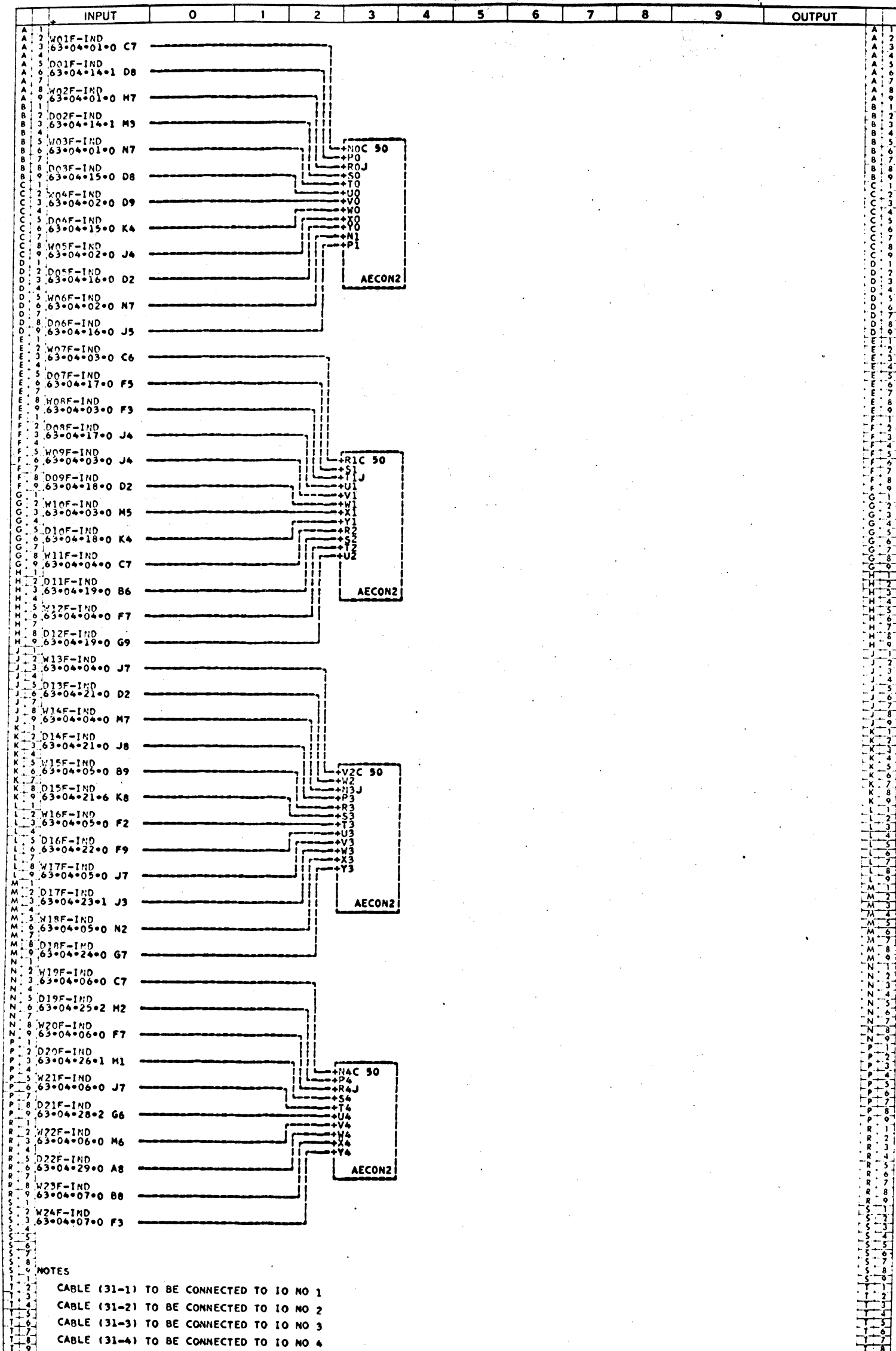
INPUT	0	1	2	3	4	5	6	7	8	9	OUTPUT	
U 2	TITLE FF INDICATOR LINES (30-1)										M- 11203965AA	U 2
U 4	DRAWN BY ED BROWN		CHECKED BY		R E		ELECTRODATA Burroughs Corporation PASADENA CALIFORNIA			U 4		
U 6	UNIT NAME INPUT-OUTPUT CONTROL UNIT MODEL 3										UNIT NO. 16303125	U 6
U 8	SYSTEM B5500										PAGE NO. 43-96-11-0	U 8

LOGIC SCHEMATIC



	INPUT	0	1	2	3	4	5	6	7	8	9	OUTPUT		
U	2	TITLE I-O SENSING CABLES (24-28) AND (30-1)					H- 11203973AA		ELECTRODATA PASADENA CALIFORNIA				U	2
U	4	DRAWN BY DOOLING		CHECKED BY ZINES				PROPERTY OF BURROUGHS CORPORATION NOT TO BE REPRODUCED, NOR USED FOR MANUFACTURING PURPOSES, EXCEPT ON BURROUGHS ORDER OR PRIOR WRITTEN CONSENT				U	4	
U	6	UNIT NAME INPUT-OUTPUT CONTROL UNIT MODEL 3					UNIT NO. 16303125						U	6
U	8	SYSTEM B5500					PAGE NO. 63*96*11*5						U	8

LOGIC SCHEMATIC



		INPUT	0	1	2	3	4	5	6	7	8	9	OUTPUT				
U	2	TITLE FF INDICATOR LINES (31-1)												M- 11203981A	U	2	
U	4	DRAWN BY ED BROWN		9-18-61		CHECKED BY R.E.									U	4	
U	6	UNIT NAME INPUT-OUTPUT CONTROL UNIT MODEL 3												UNIT NO. 16303125		U	6
U	8	SYSTEM B5500												PAGE NO. 63-96-12-0		U	8

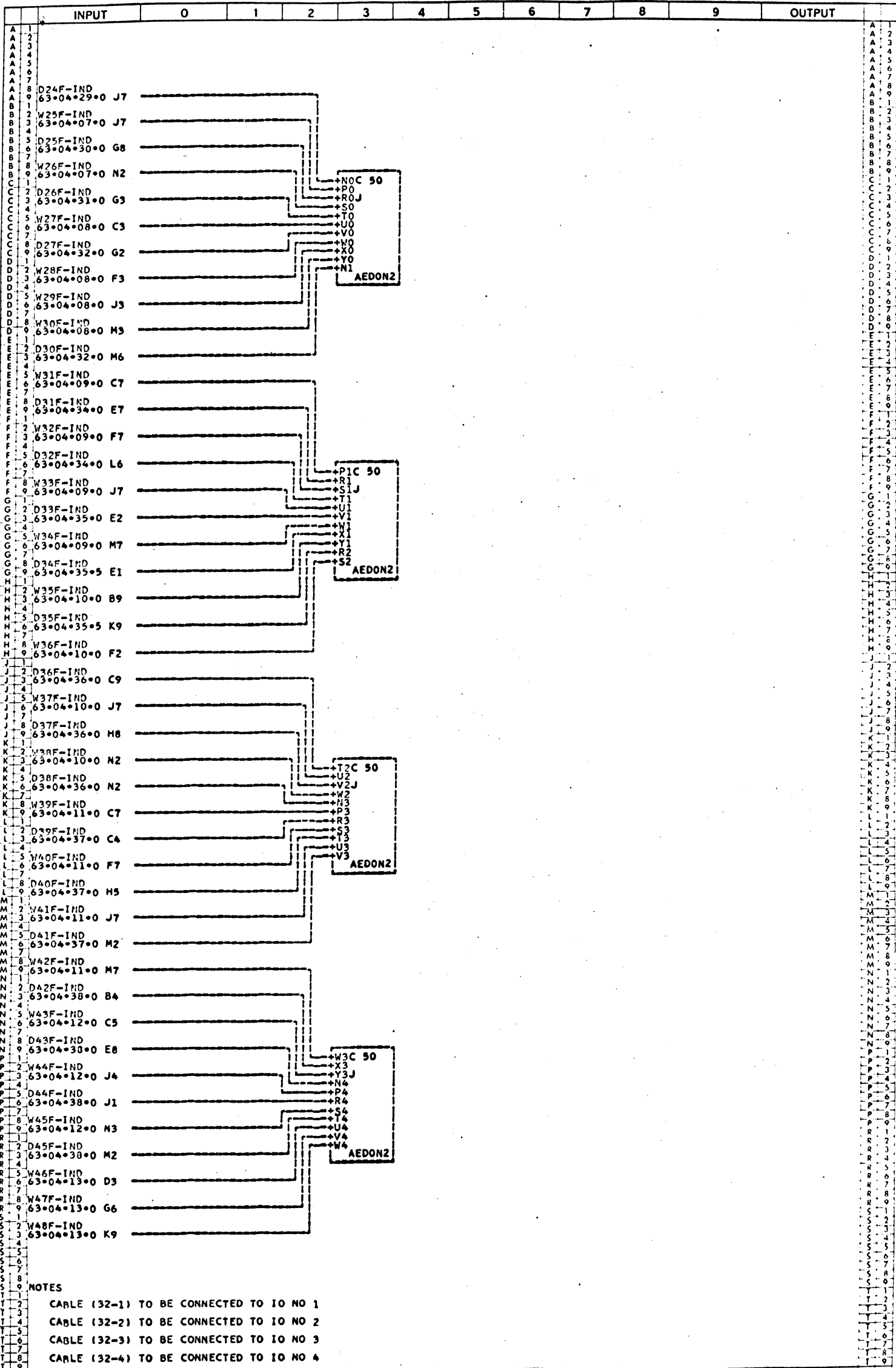
ELECTRODATA
M&E DIVISION

Burroughs Corporation

PASADENA
CALIFORNIA

PROPERTY OF BURROUGHS CORPORATION NOT TO BE REPRODUCED, NOR USED FOR MANUFACTURING PURPOSES, EXCEPT ON BURROUGHS ORDER OR PRIOR WRITTEN CONSENT

LOGIC SCHEMATIC



NOTES

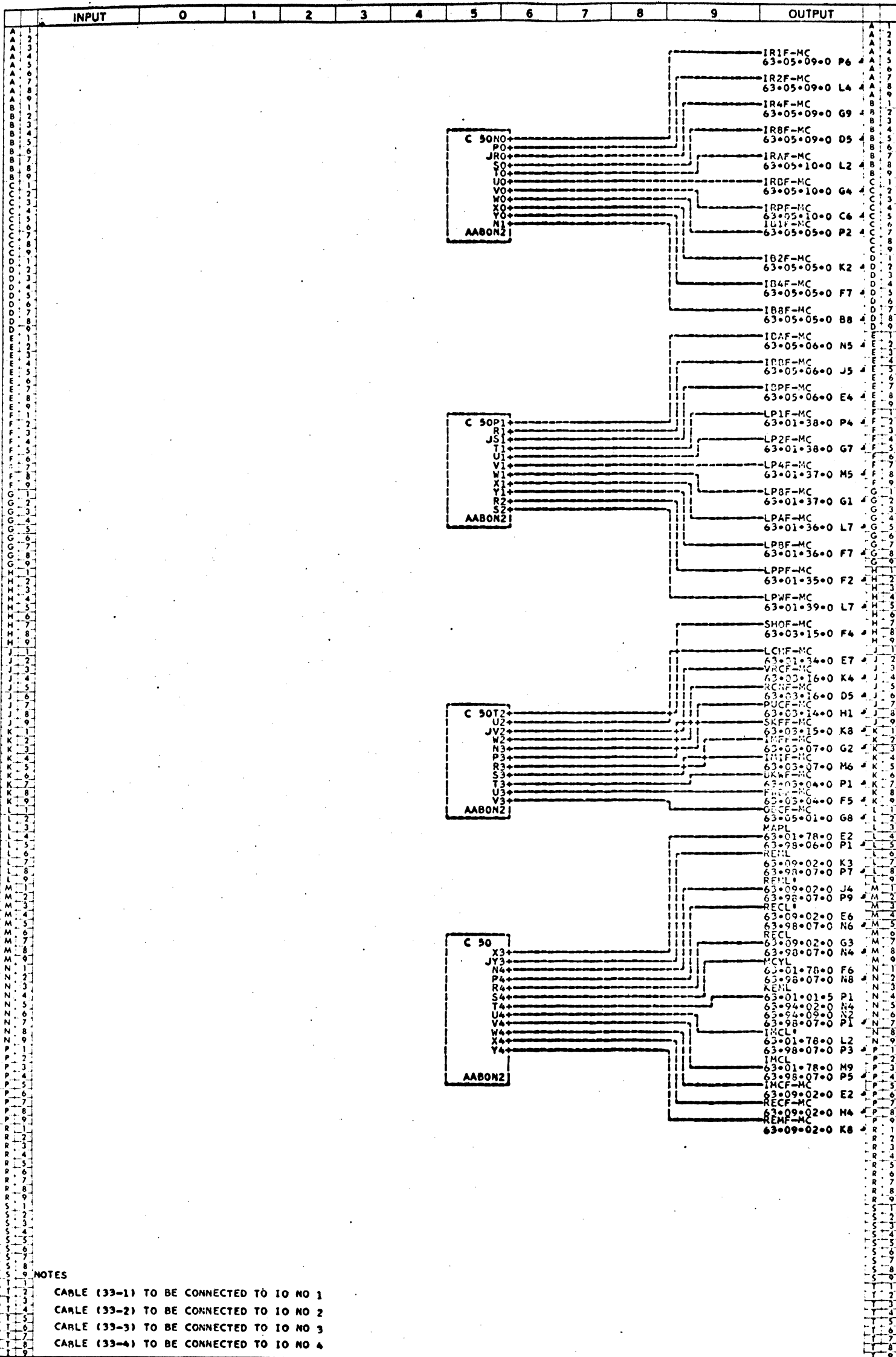
- T 2 CABLE (32-1) TO BE CONNECTED TO IO NO 1
- T 3 CABLE (32-2) TO BE CONNECTED TO IO NO 2
- T 4 CABLE (32-3) TO BE CONNECTED TO IO NO 3
- T 5 CABLE (32-4) TO BE CONNECTED TO IO NO 4

INPUT	0	1	2	3	4	5	6	7	8	9	OUTPUT
U 2	TITLE FF INDICATOR LINES (32-1)										U 2
U 4	DRAWN BY ED BROWN 9-18-61 CHECKED BY										U 4
U 6	UNIT NAME INPUT-OUTPUT CONTROL UNIT MODEL 3										U 6
U 8	SYSTEM B5500										U 8

H- 1120999AA
 R E
 UNIT NO. 16303125
 PAGE NO. 63-96-13-0

Burroughs Corporation
 ELECTRODATA M&E DIVISION PASADENA CALIFORNIA
PROPERTY OF BURROUGHS CORPORATION NOT TO BE REPRODUCED, NOR USED FOR MANUFACTURING PURPOSES, EXCEPT ON BURROUGHS ORDER OR PRIOR WRITTEN CONSENT

LOGIC SCHEMATIC



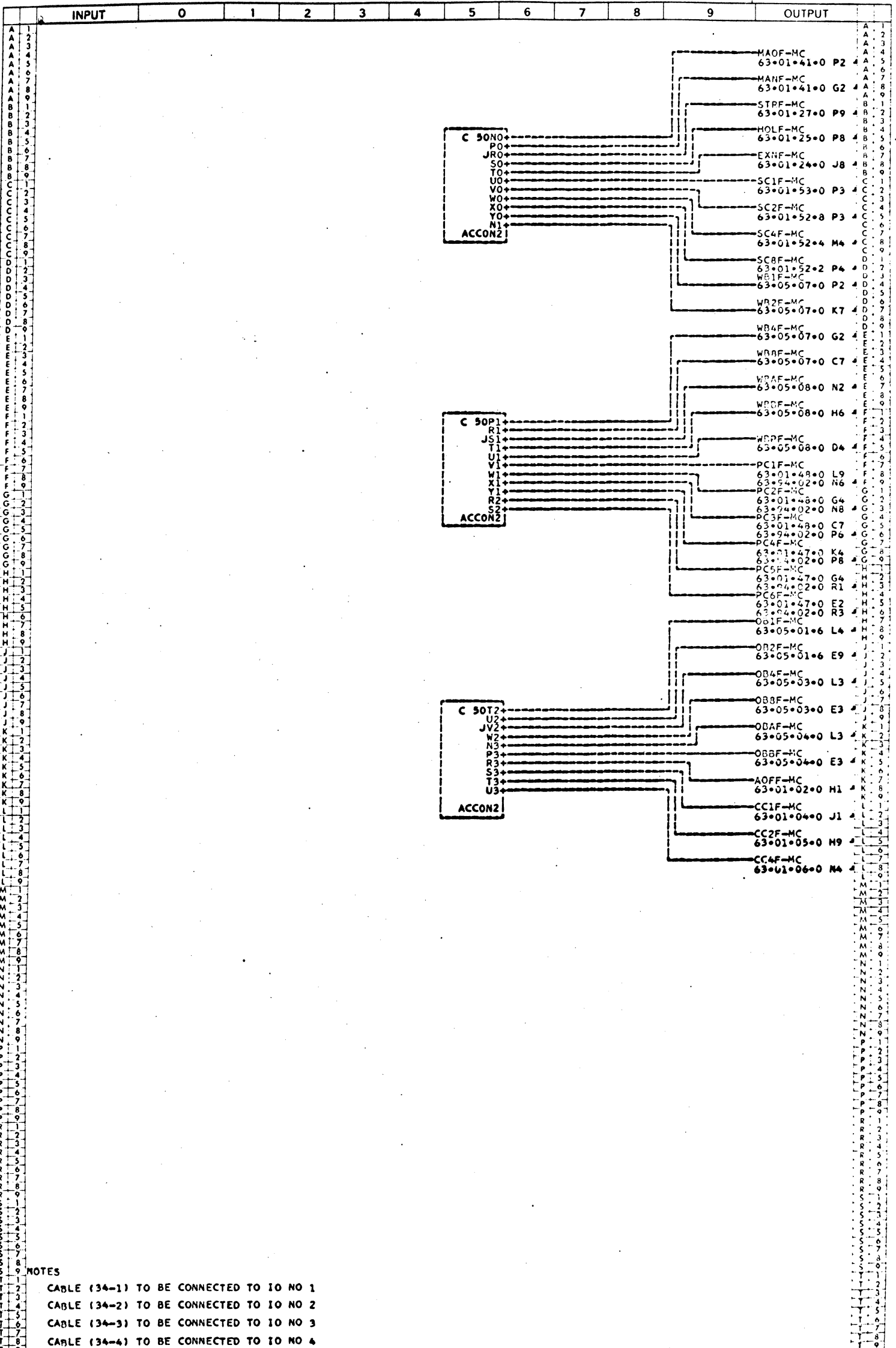
NOTES

- CABLE (33-1) TO BE CONNECTED TO IO NO 1
- CABLE (33-2) TO BE CONNECTED TO IO NO 2
- CABLE (33-3) TO BE CONNECTED TO IO NO 3
- CABLE (33-4) TO BE CONNECTED TO IO NO 4

INPUT	0	1	2	3	4	5	6	7	8	9	OUTPUT
U 2	TITLE PF MANUAL CONTROL LINES (33-1)										U 2
U 4	DRAWN BY R WILLIAMS 14 SEPT 61 CHECKED BY										U 4
U 6	UNIT NAME INPUT-OUTPUT CONTROL UNIT MODEL 3										U 6
U 8	SYSTEM B2500										U 8

ELECTRODATA **Burroughs Corporation** PASADENA CALIFORNIA
 M&E DIVISION PASADENA CALIFORNIA
PROPERTY OF BURROUGHS CORPORATION NOT TO BE REPRODUCED, NOR USED FOR MANUFACTURING PURPOSES, EXCEPT ON BURROUGHS ORDER OR PRIOR WRITTEN CONSENT

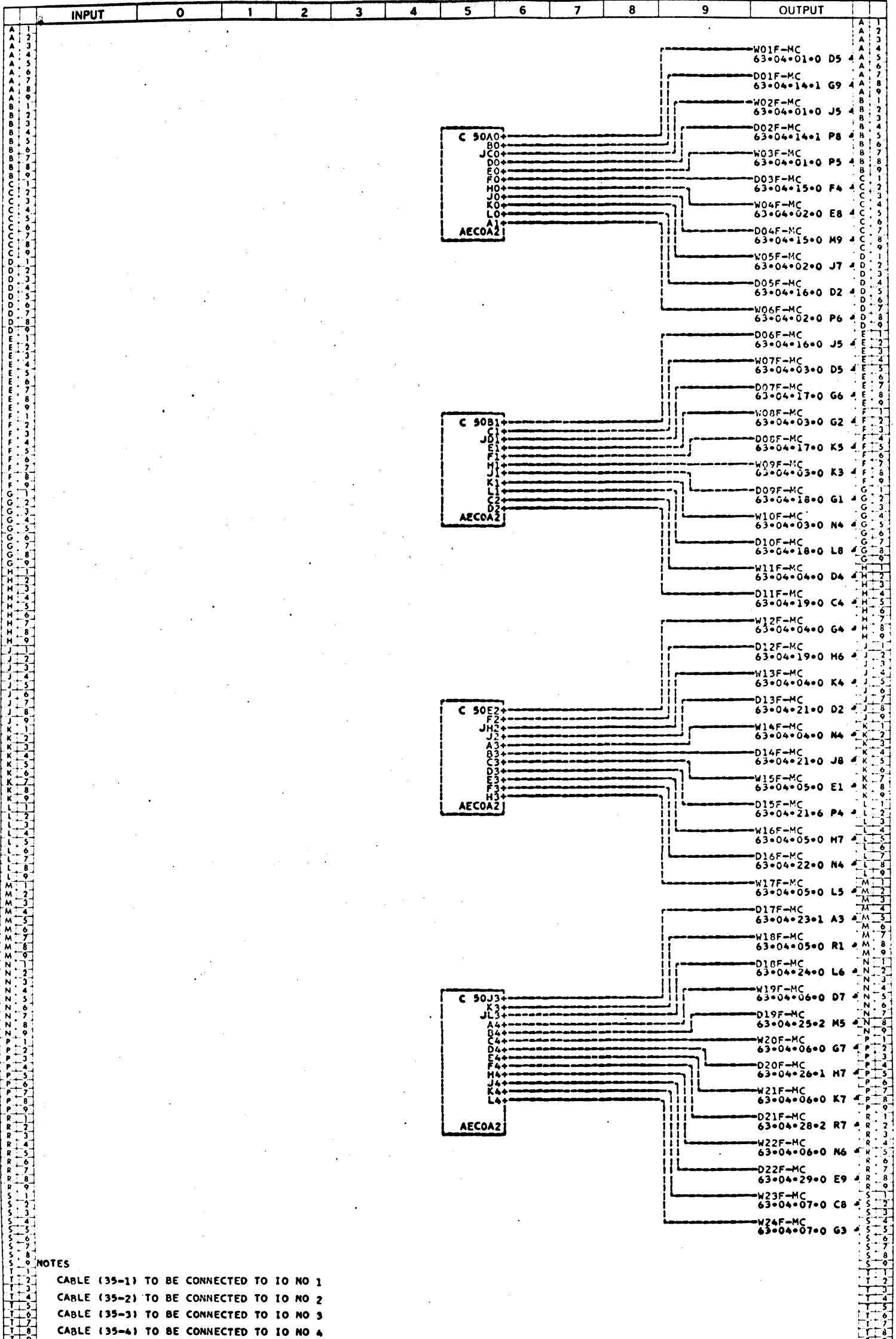
LOGIC SCHEMATIC



NOTES

- CABLE (34-1) TO BE CONNECTED TO IO NO 1
- CABLE (34-2) TO BE CONNECTED

LOGIC SCHEMATIC



NOTES

- 1 CABLE (35-1) TO BE CONNECTED TO IO NO 1
- 2 CABLE (35-2) TO BE CONNECTED TO IO NO 2
- 3 CABLE (35-3) TO BE CONNECTED TO IO NO 3
- 4 CABLE (35-4) TO BE CONNECTED TO IO NO 4

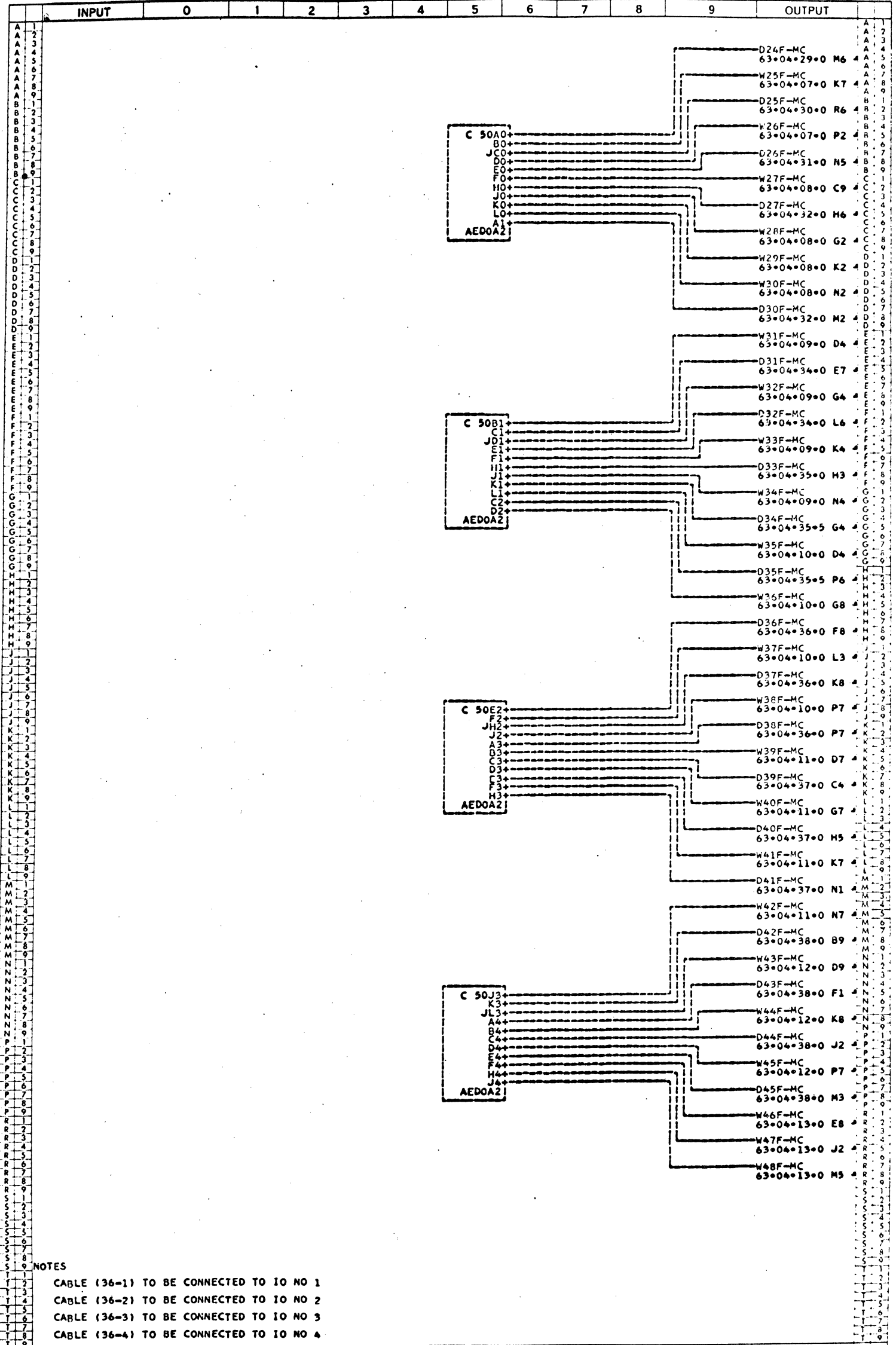
INPUT	0	1	2	3	4	5	6	7	8	9	OUTPUT
U 2	TITLE PF MANUAL CONTROL LINES (35-1) M- 11204021A										U 2
U 4	DRAWN BY R WILLIAMS 14 SEPT 61 CHECKED BY RE										U 4
U 6	UNIT NAME INPUT-OUTPUT CONTROL UNIT MODEL 3										U 6
U 8	SYSTEM B5500										U 8

Burroughs Corporation

ELECTRODATA
M & E DIVISION
PASADENA
CALIFORNIA

PROPERTY OF BURROUGHS CORPORATION NOT TO BE REPRODUCED, NOR USED FOR
MANUFACTURING PURPOSES, EXCEPT ON BURROUGHS ORDER OR PRIOR WRITTEN CONSENT

LOGIC SCHEMATIC

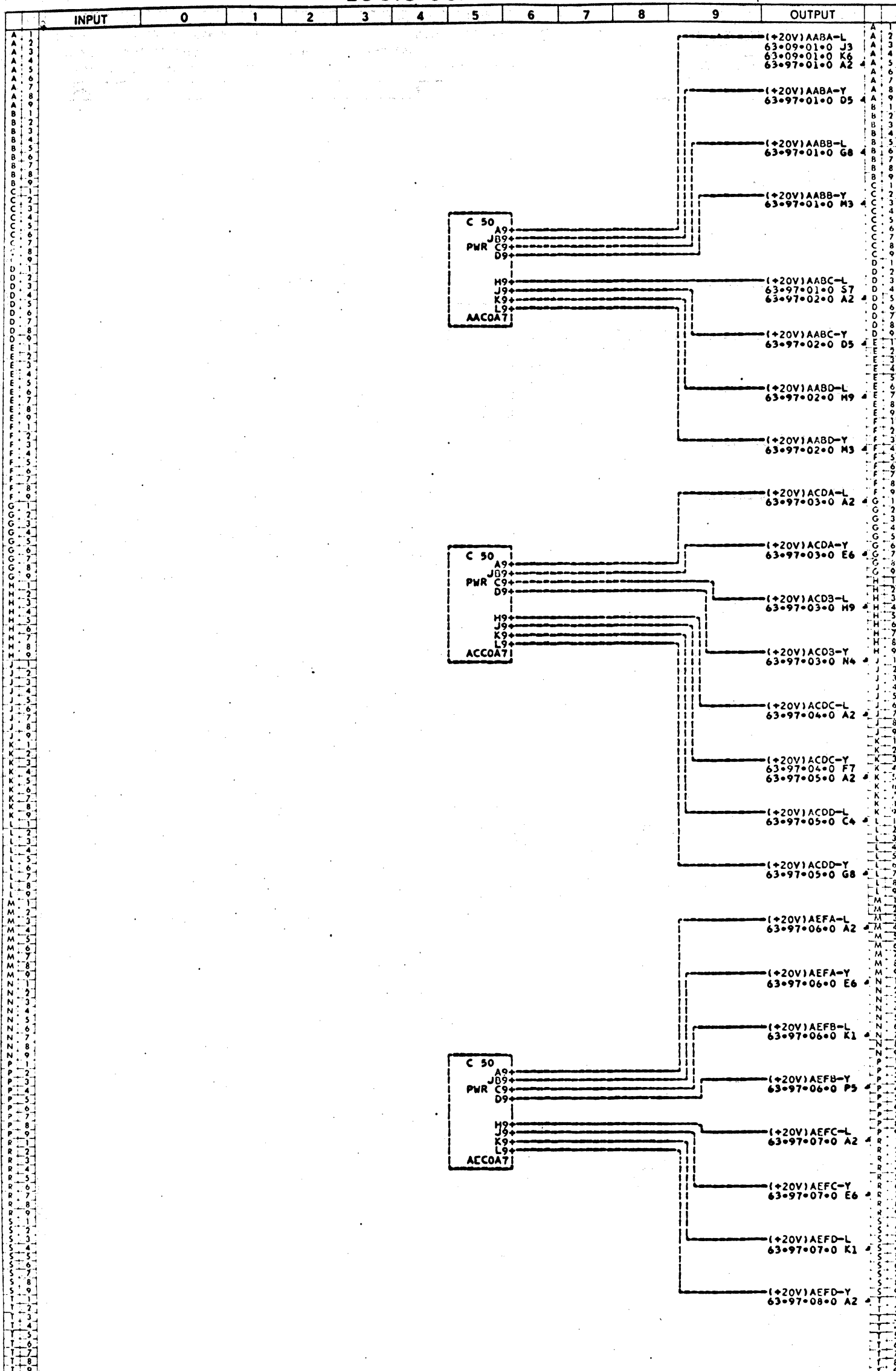


	INPUT	0	1	2	3	4	5	6	7	8	9	OUTPUT	
U 2	TITLE	FF MANUAL CONTROL LINES (36-1)									M: 11204039AA		U 2
U 4	DRAWN BY	R WILLIAMS	14 SEPT. 61		CHECKED BY	R E							U 4
U 6	UNIT NAME	INPUT-OUTPUT CONTROL UNIT MODEL 3									UNIT NO. 16303125		U 6
U 8	SYSTEM	85500									PAGE NO. 63-96-17-0		U 8

ELECTRODATA **Burroughs Corporation** PASADENA CALIFORNIA
 M & E DIVISION

PROPERTY OF BURROUGHS CORPORATION NOT TO BE REPRODUCED, NOR USED FOR MANUFACTURING PURPOSES, EXCEPT ON BURROUGHS ORDER OR PRIOR WRITTEN CONSENT

LOGIC SCHEMATIC



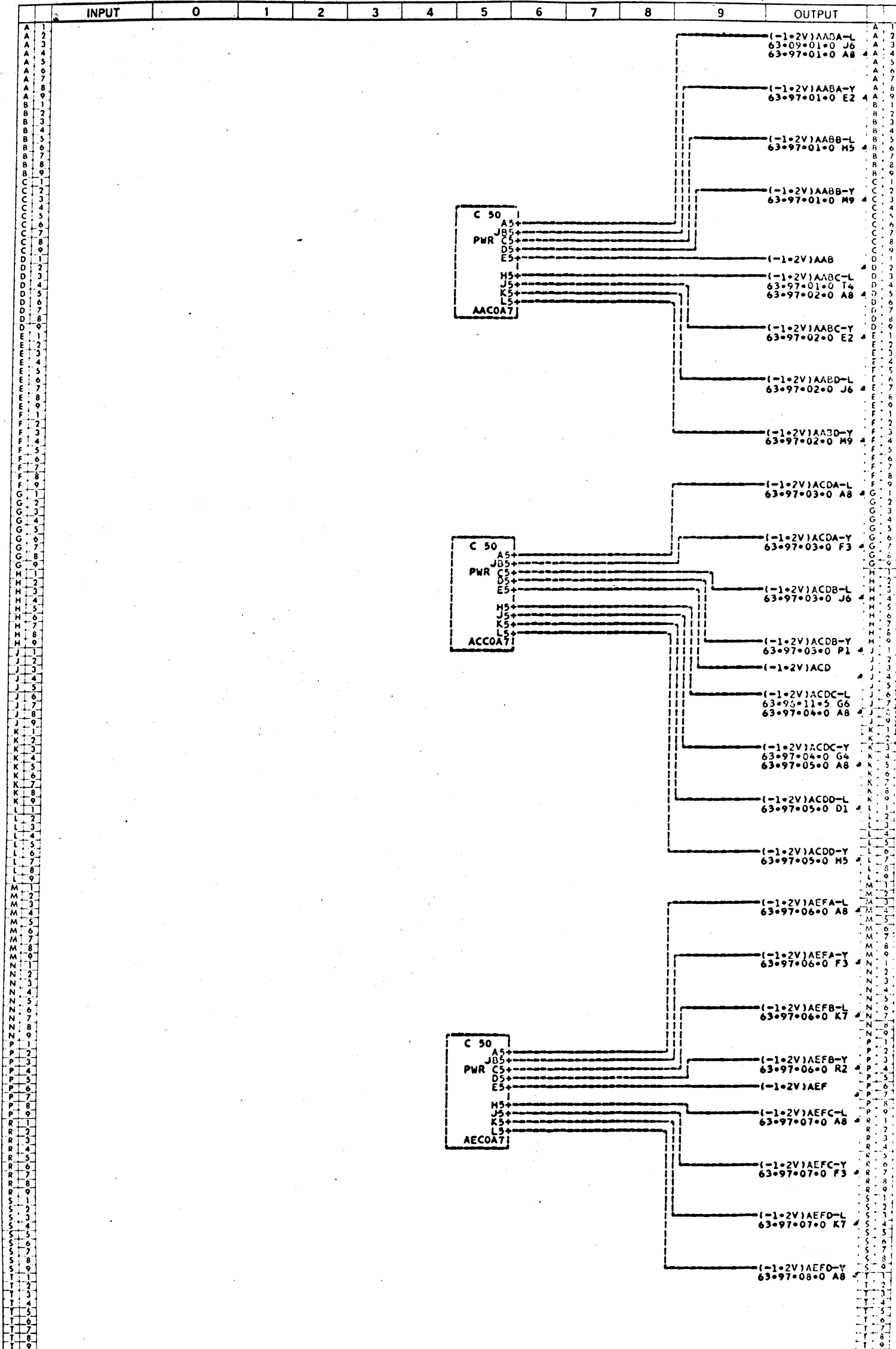
INPUT	0	1	2	3	4	5	6	7	8	9	OUTPUT
U 2	TITLE +20 VOLT DISTRIBUTION RACK A										U 2
U 4	DRAWN BY T URMOS 12-6-61 CHECKED BY R ENGLISH										U 4
U 6	UNIT NAME INPUT-OUTPUT CONTROL UNIT MODEL 3										U 6
U 8	SYSTEM B5500										U 8

ELECTRODATA **Burroughs Corporation** PASADENA CALIFORNIA

M & E DIVISION

PROPERTY OF BURROUGHS CORPORATION NOT TO BE REPRODUCED, NOR USED FOR MANUFACTURING PURPOSES EXCEPT ON BURROUGHS ORDER OR PRIOR WRITTEN CONSENT.

LOGIC SCHEMATIC



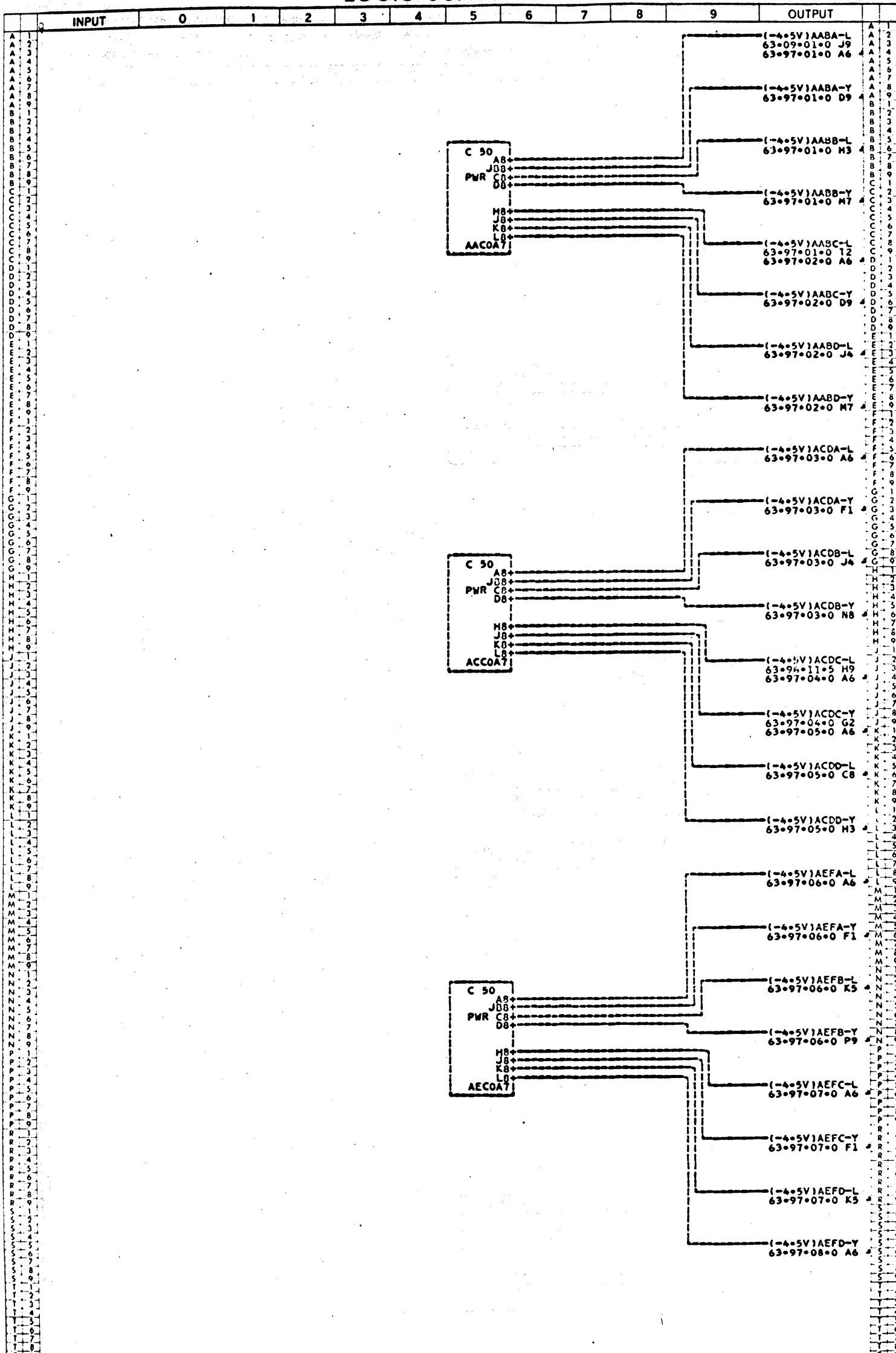
INPUT	0	1	2	3	4	5	6	7	8	9	OUTPUT
U 2	TITLE -1.2 VOLT DISTRIBUTION RACK A										U 2
U 4	DRAWN BY T URMOS 12-6-61					CHECKED BY R ENGLISH					U 4
U 6	UNIT NAME INPUT-OUTPUT CONTROL UNIT MODEL 3					UNIT NO. 16303125					U 6
U 8	SYSTEM B5500					PAGE NO. 63-96-19-0					U 8

ELECTRODATA **Burroughs Corporation** PASADENA CALIFORNIA

M & E DIVISION

PROPERTY OF BURROUGHS CORPORATION NOT TO BE REPRODUCED, NOR USED FOR MANUFACTURING PURPOSES EXCEPT ON BURROUGHS ORDER OR PRIOR WRITTEN CONSENT

LOGIC SCHEMATIC

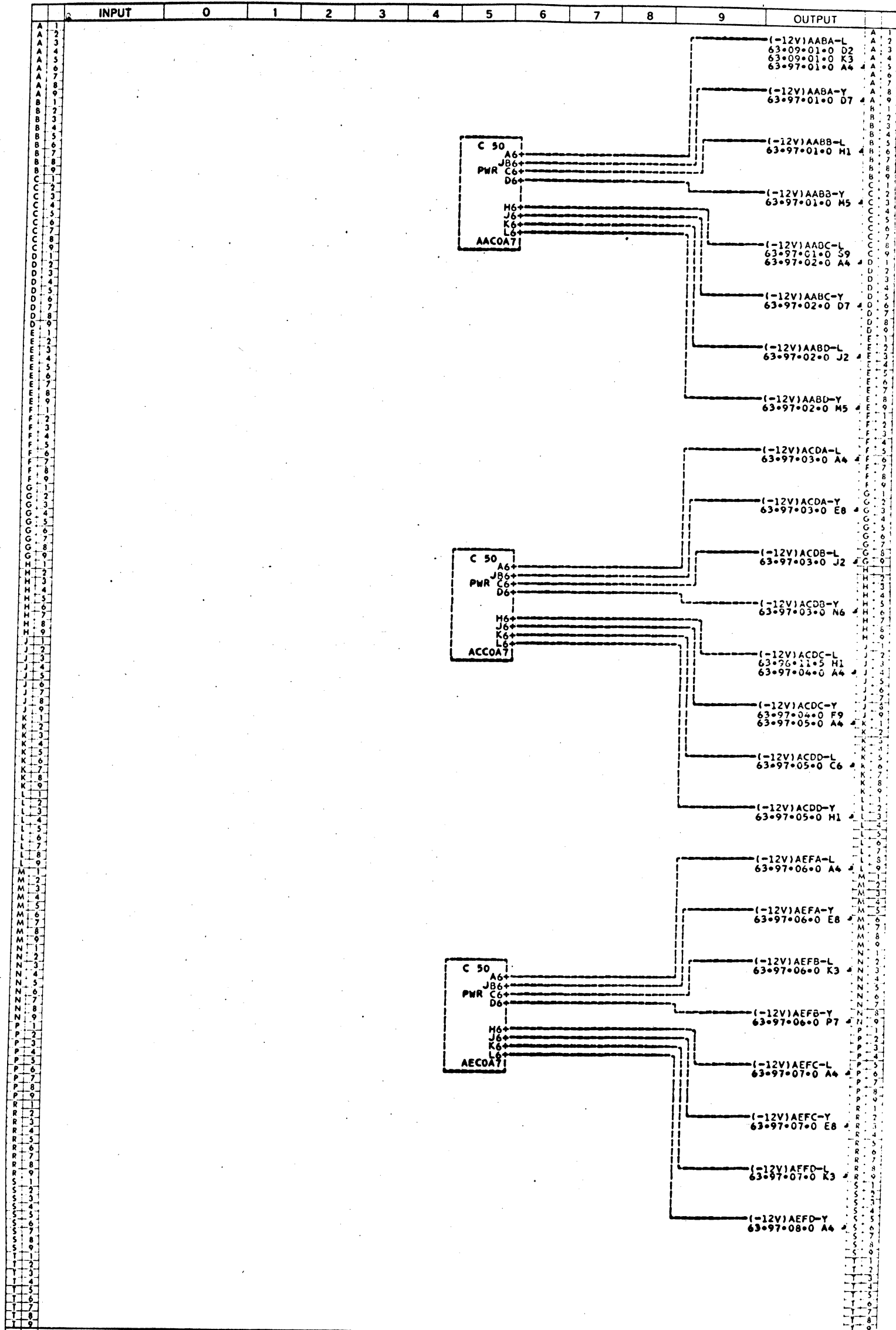


INPUT	0	1	2	3	4	5	6	7	8	9	OUTPUT
U 2	TITLE -4.5 VOLT DISTRIBUTION RACK A H- 11204062A										U 2
U 4	DRAWN BY C A VIETOR 12-6-61 CHECKED BY R ENGLISH										U 4
U 6	UNIT NAME INPUT-OUTPUT CONTROL UNIT MODEL 3 UNIT NO. 16303125										U 6
U 8	SYSTEM B5500 PAGE NO. 63-96-20-0										U 8

ELECTRODATA **Burroughs Corporation** PASADENA CALIFORNIA
 M & E DIVISION 3

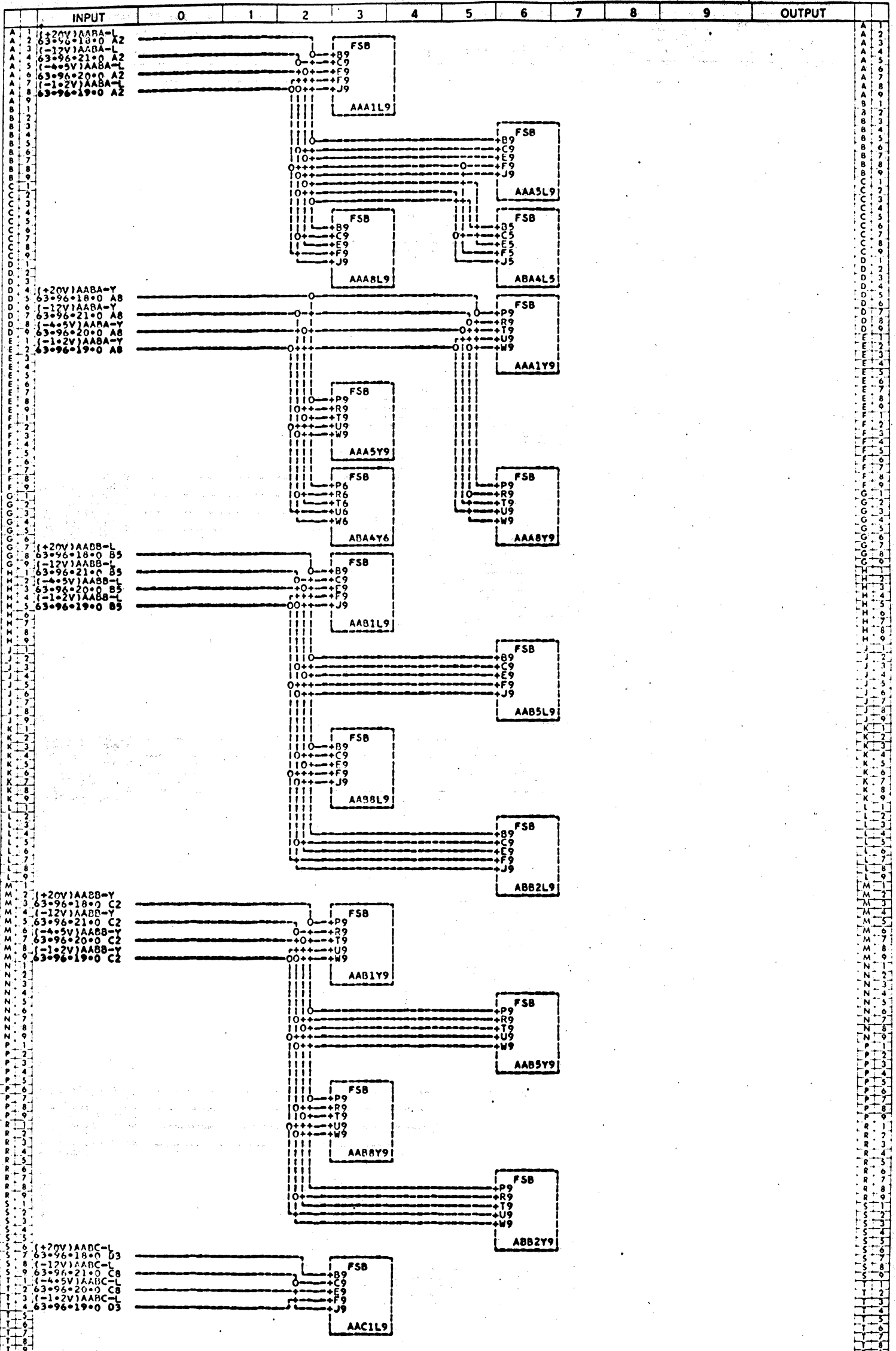
PROPERTY OF BURROUGHS CORPORATION. NOT TO BE REPRODUCED, NOR USED FOR MANUFACTURING PURPOSES, EXCEPT ON BURROUGHS ORDER OR PRIOR WRITTEN CONSENT

LOGIC SCHEMATIC



U	2	TITLE	-12 VOLT DISTRIBUTION RACK A	H-	11204070AA	ELECTRODATA	Burroughs Corporation	PASADENA CALIFORNIA	U	2
U	4	DRAWN BY	N MOGLE 6-12-61	CHECKED BY	ROBERT ENGLISH	M&E DIVISION			U	4
U	6	UNIT NAME	INPUT-OUTPUT CONTROL UNIT MODEL 3	UNIT NO.	16303125	PROPERTY OF BURROUGHS CORPORATION NOT TO BE REPRODUCED, NOR USED FOR MANUFACTURING PURPOSES, EXCEPT ON BURROUGHS ORDER OR PRIOR WRITTEN CONSENT				
U	8	SYSTEM	B5500	PAGE NO.	63-96-21-0					

LOGIC SCHEMATIC



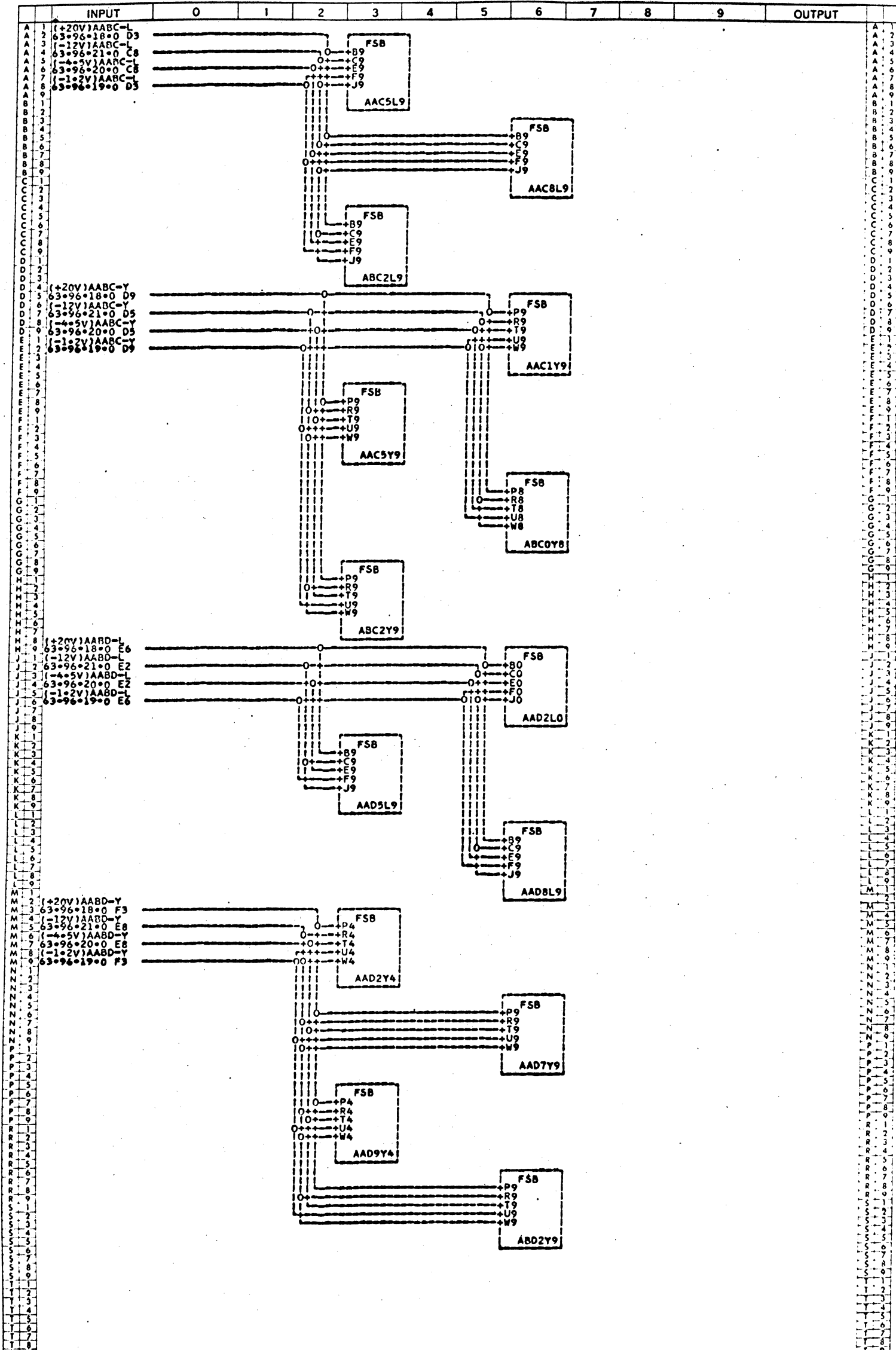
INPUT	0	1	2	3	4	5	6	7	8	9	OUTPUT
U 2	TITLE FILTERS PAGE 1										U 2
U 4	DRAWN BY R J MILLER C.O. CHECKED BY R ENGLISH										U 4
U 6	UNIT NAME INPUT-OUTPUT CONTROL UNIT MODEL 3										U 6
U 8	SYSTEM B5500										U 8

Burroughs Corporation

ELECTRODATA M&E DIVISION PASADENA CALIFORNIA

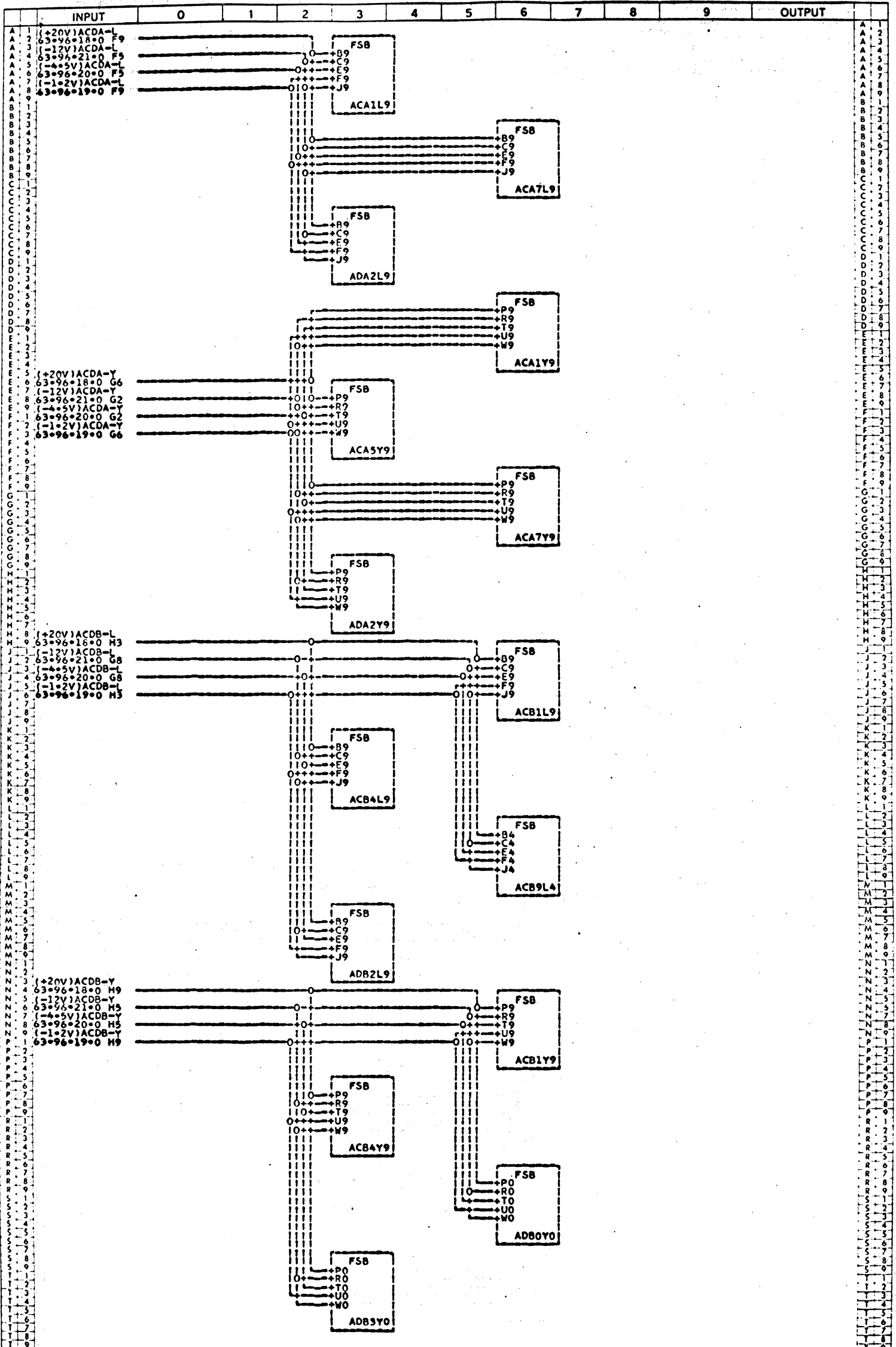
PROPERTY OF BURROUGHS CORPORATION NOT TO BE REPRODUCED, NOR USED FOR MANUFACTURING PURPOSES, EXCEPT ON BURROUGHS ORDER OR PRIOR WRITTEN CONSENT.

LOGIC SCHEMATIC



	INPUT	0	1	2	3	4	5	6	7	8	9	OUTPUT
U 2	TITLE FILTERS PAGE 2											U 2
U 4	DRAWN BY R J MILLER C=0 CHECKED BY R ENGLISH											U 4
U 6	UNIT NAME INPUT-OUTPUT CONTROL UNIT MODEL 3											U 6
U 8	SYSTEM 85500											U 8
H- 11204096AA UNIT NO. 16303125 PAGE NO. 63-97-02-0												
ELECTRODATA Burroughs Corporation PASADENA CALIFORNIA M&E DIVISION												
PROPERTY OF BURROUGHS CORPORATION NOT TO BE REPRODUCED, NOR USED FOR MANUFACTURING PURPOSES EXCEPT ON BURROUGHS ORDER OR PRIOR WRITTEN CONSENT												

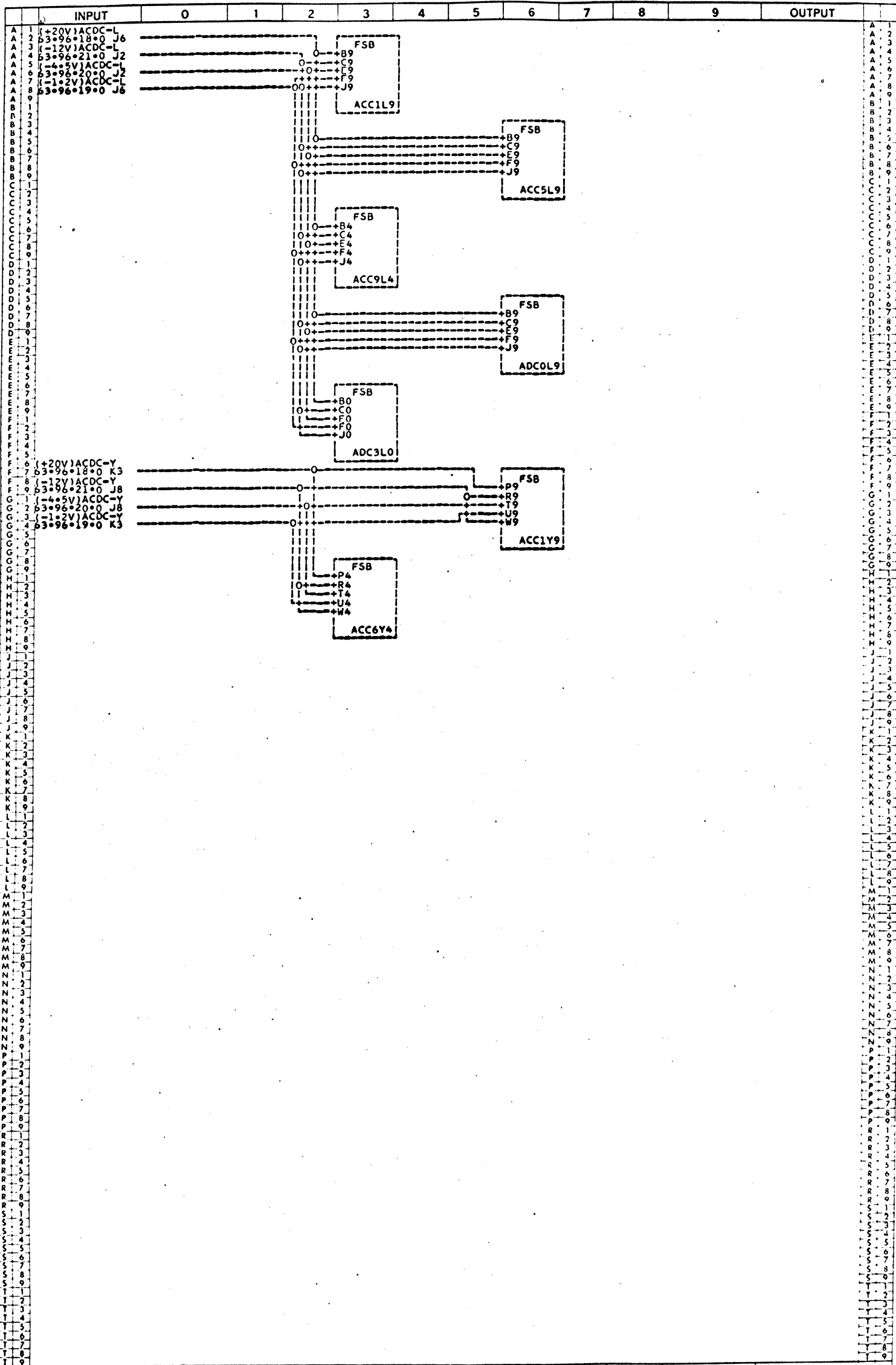
LOGIC SCHEMATIC



	INPUT	0	1	2	3	4	5	6	7	8	9	OUTPUT	
U 2	TITLE FILTERS PAGE 3												U 2
U 4	DRAWN BY R J MILLER C=0 CHECKED BY R ENGLISH												U 4
U 6	UNIT NAME INPUT-OUTPUT CONTROL UNIT MODEL 3												U 6
U 8	SYSTEM B2500												U 8

ELECTRODATA M&E DIVISION	Burroughs Corporation 	PASADENA CALIFORNIA
PROPERTY OF BURROUGHS CORPORATION NOT TO BE REPRODUCED, NOR USED FOR MANUFACTURING PURPOSES, EXCEPT ON BURROUGHS ORDER OR PRIOR WRITTEN CONSENT.		

LOGIC SCHEMATIC

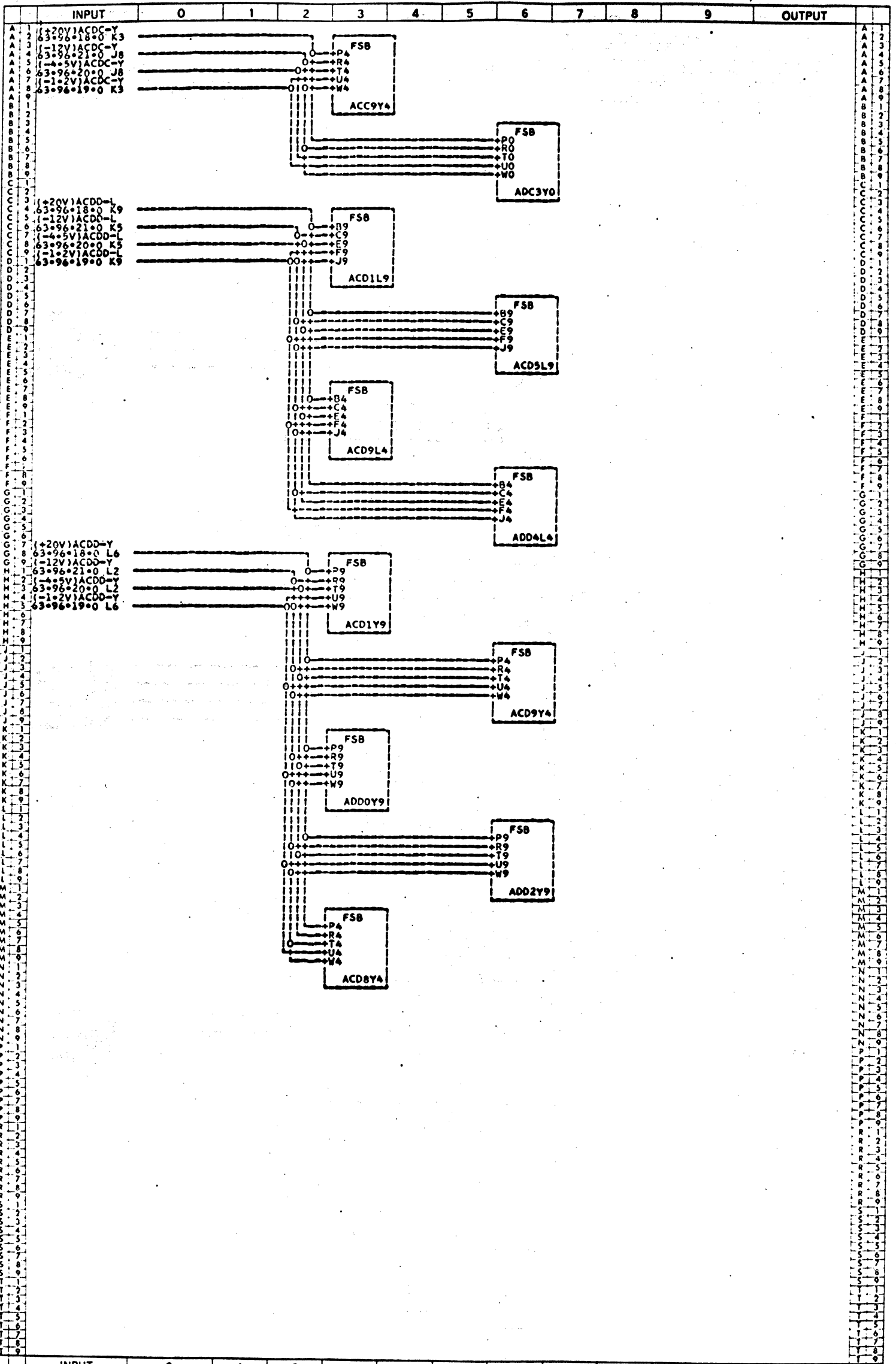


	INPUT	0	1	2	3	4	5	6	7	8	9	OUTPUT
U 2	TITLE FILTERS PAGE 4	M- 11204112AB										U 2
U 4	DRAWN BYC DOOLING	CHECKED BY R ENGLISH										U 4
U 6	UNIT NAME INPUT-OUTPUT CONTROL UNIT MODEL 3	UNIT NO. 16303125										U 6
U 8	SYSTEM B5200	PAGE NO. 63-97-04-0										U 8

ELECTRODATA **Burroughs Corporation** PASADENA CALIFORNIA
 M & E DIVISION

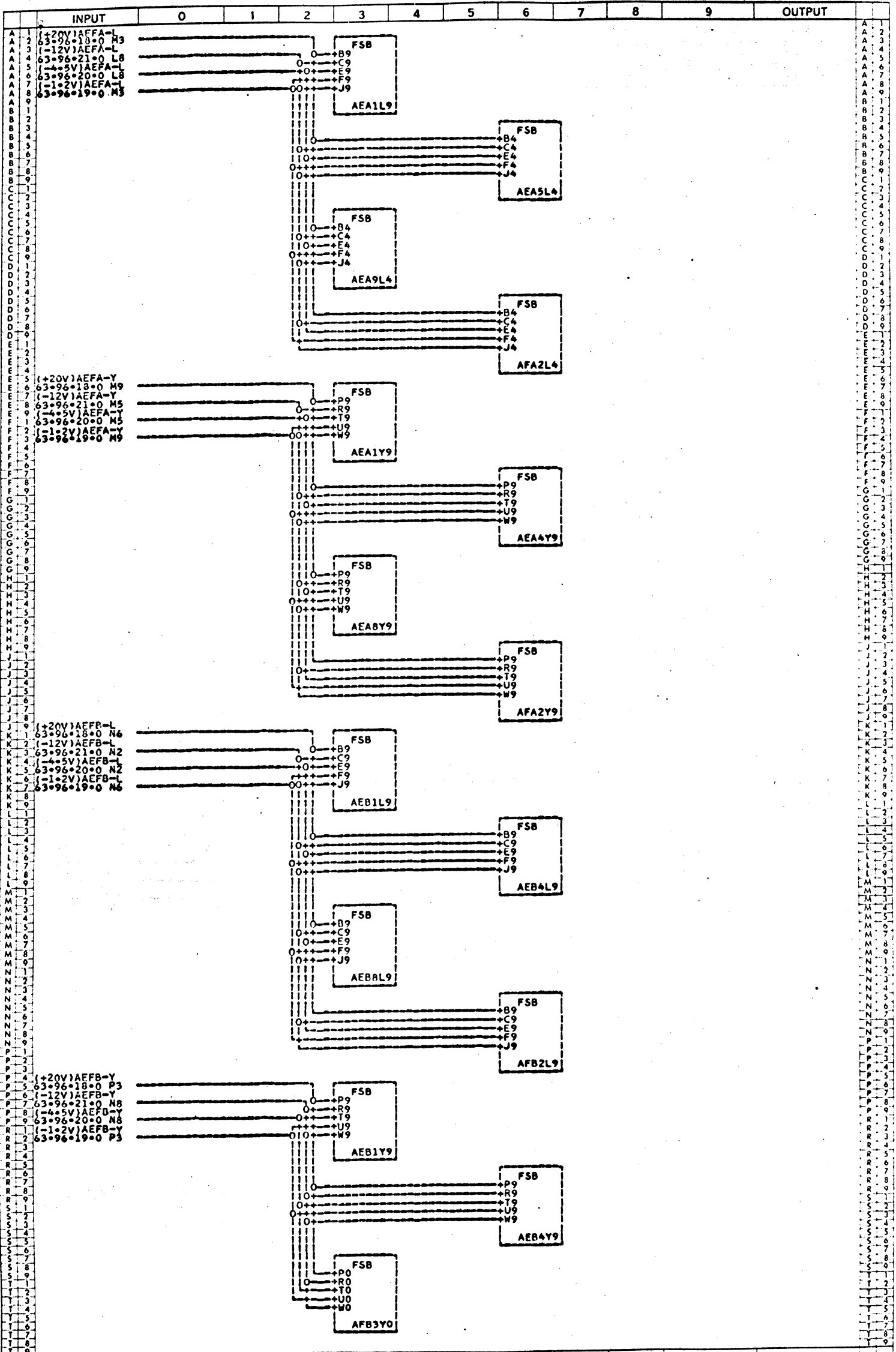
PROPERTY OF BURROUGHS CORPORATION NOT TO BE REPRODUCED, NOR USED FOR MANUFACTURING PURPOSES, EXCEPT ON BURROUGHS ORDER OR PRIOR WRITTEN CONSENT

LOGIC SCHEMATIC



	INPUT	0	1	2	3	4	5	6	7	8	9	OUTPUT	
U 2	TITLE FILTERS PAGE 3											U 2	
U 4	DRAWN BY C DOOLING											U 4	
U 6	UNIT NAME INPUT-OUTPUT CONTROL UNIT MODEL 3											U 6	
U 8	SYSTEM 85500											U 8	
	M- 11204120AA												
	CHECKED BY R ENGLISH												
	UNIT NO. 16303125												
	PAGE NO. 63-97-05-0												
	ELECTRODATA Burroughs Corporation PASADENA CALIFORNIA												
	PROPERTY OF BURROUGHS CORPORATION. NOT TO BE REPRODUCED, NOR USED FOR MANUFACTURING PURPOSES, EXCEPT ON BURROUGHS ORDER OR PRIOR WRITTEN CONSENT.												

LOGIC SCHEMATIC



INPUT	0	1	2	3	4	5	6	7	8	9	OUTPUT
U 2	TITLE FILTERS PAGE 6										U 2
U 4	DRAWN BY C DOOLING										U 4
U 6	UNIT NAME INPUT-OUTPUT CONTROL UNIT MODEL 3										U 6
U 8	SYSTEM B5500										U 8

M- 11204138AA

CHECKED BY R ENGLISH

UNIT NO. 16303125

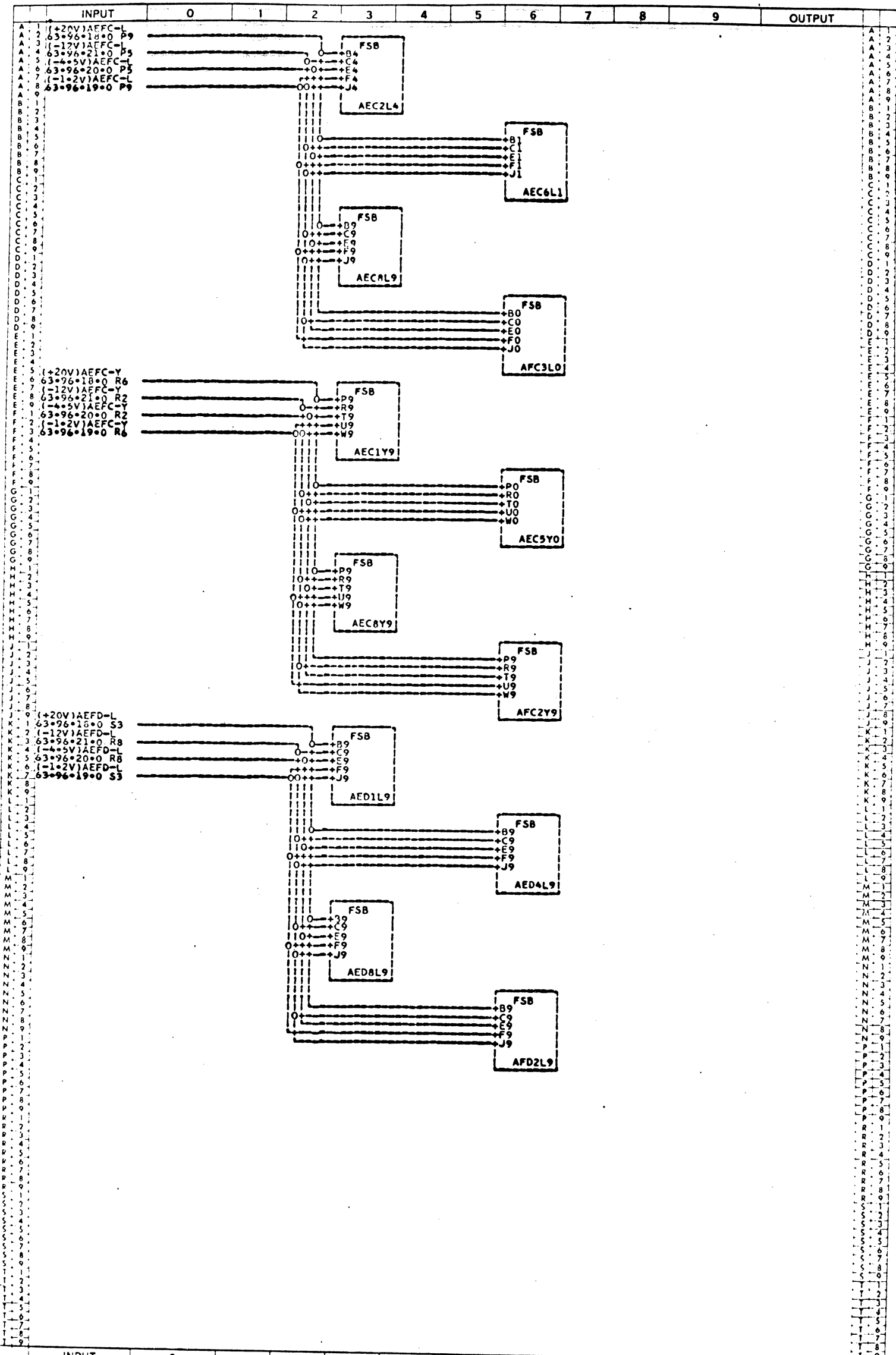
PAGE NO. 63-97-06-0

ELECTRODATA **Burroughs Corporation** PASADENA CALIFORNIA

M&E DIVISION

PROPERTY OF BURROUGHS CORPORATION NOT TO BE REPRODUCED, NOR USED FOR MANUFACTURING PURPOSES, EXCEPT ON BURROUGHS ORDER OR PRIOR WRITTEN CONSENT.

LOGIC SCHEMATIC



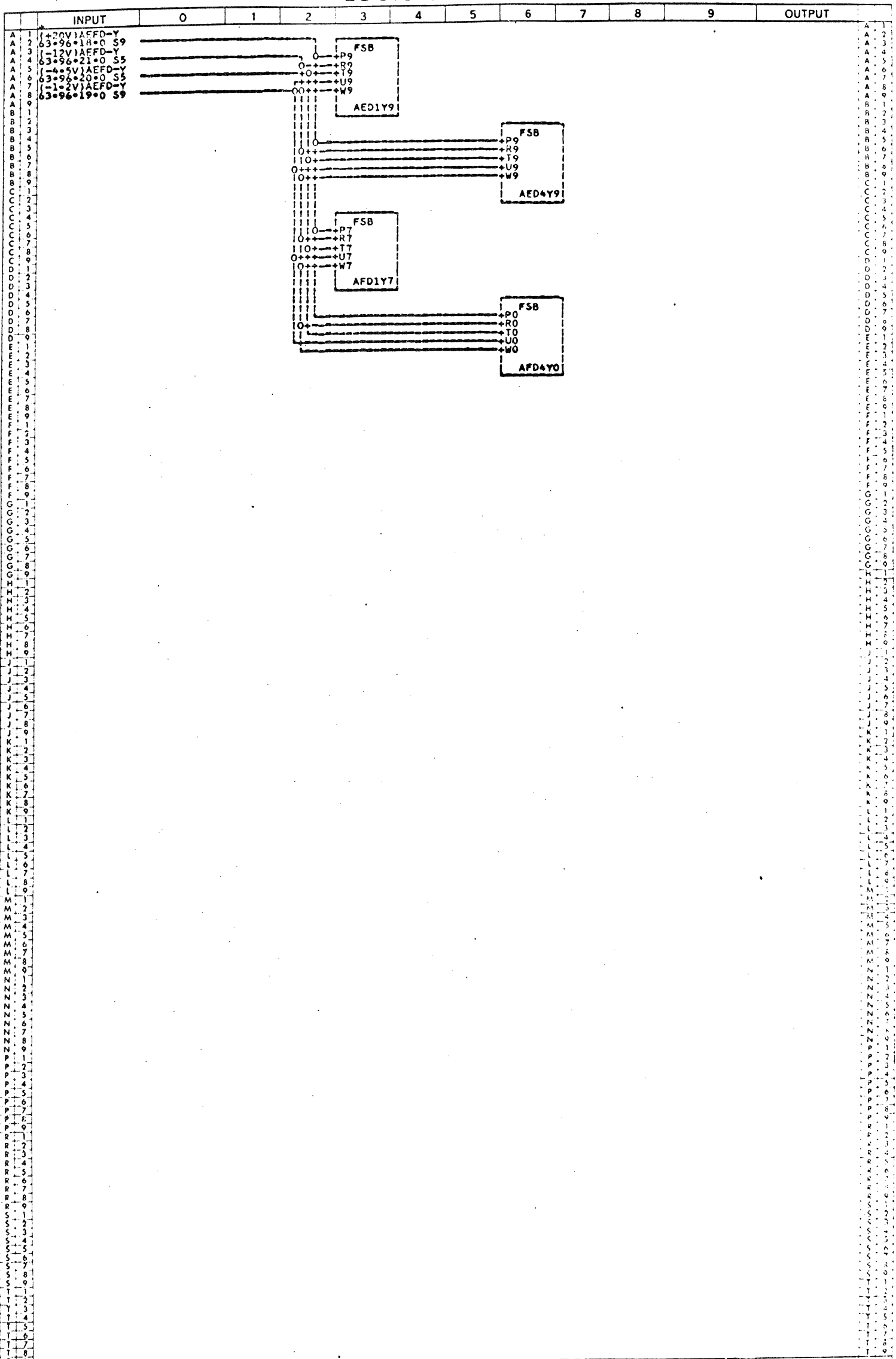
INPUT	0	1	2	3	4	5	6	7	8	9	OUTPUT
U 2 TITLE FILTERS PAGE 7	M. 11204146AA										U 2
U 4 DRAWN BY C DOOLING	CHECKED BY R ENGLISH										U 4
U 6 UNIT NAME INPUT-OUTPUT CONTROL UNIT MODEL 3	UNIT NO. 16303125										U 6
U 8 SYSTEM 85900	PAGE NO. 63*97*07*0										U 8

PROPERTY OF BURROUGHS CORPORATION PASADENA CALIFORNIA

ELECTRODATA M&E DIVISION PASADENA CALIFORNIA

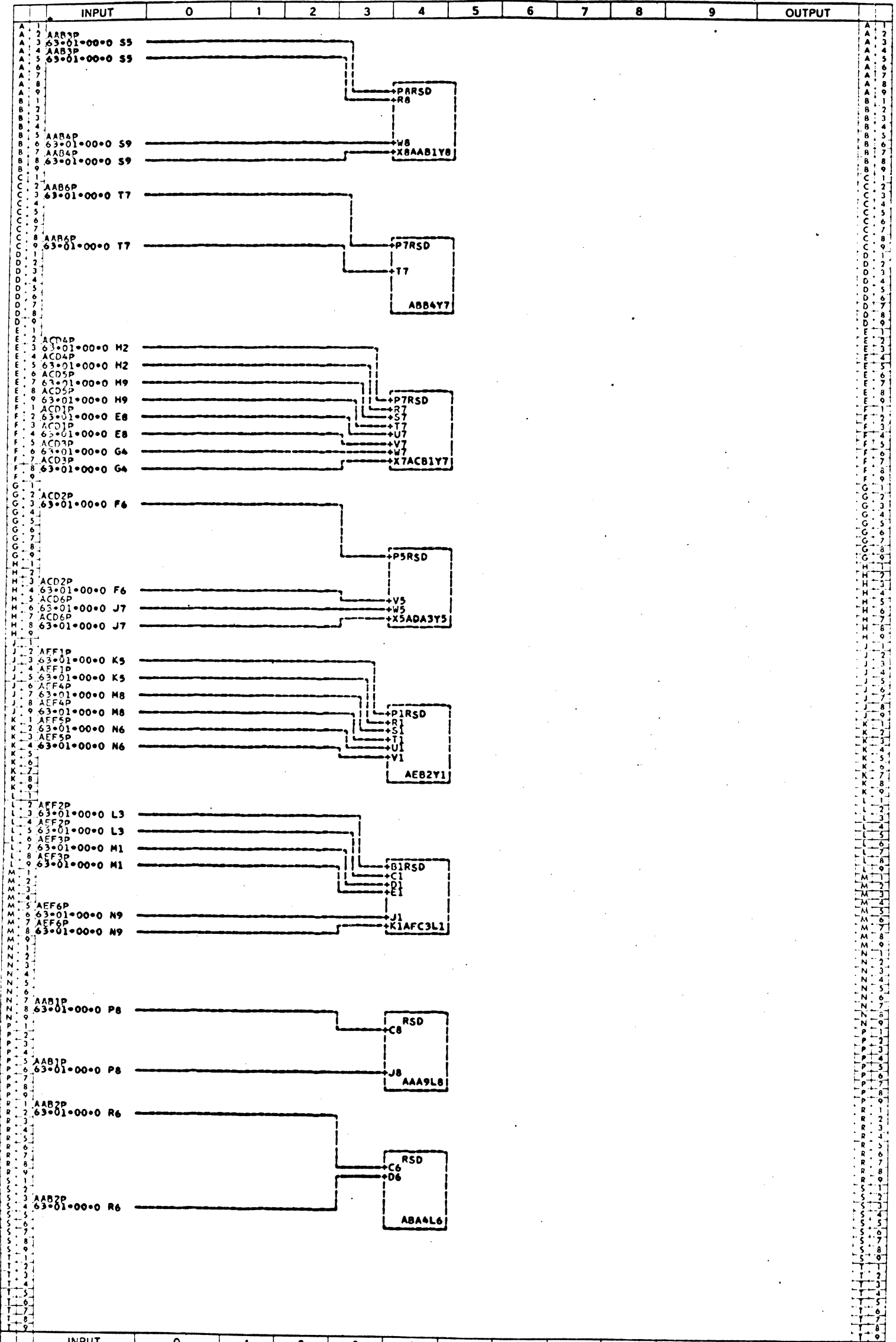
PROPERTY OF BURROUGHS CORPORATION NOT TO BE REPRODUCED, NOR USED FOR MANUFACTURING PURPOSES EXCEPT ON BURROUGHS ORDER OR PRIOR WRITTEN CONSENT

LOGIC SCHEMATIC



	INPUT	0	1	2	3	4	5	6	7	8	9	OUTPUT
--	-------	---	---	---	---	---	---	---	---	---	---	--------

LOGIC SCHEMATIC



	INPUT	0	1	2	3	4	5	6	7	8	9	OUTPUT
U	2	TITLE CLOCK TERMINATING RESISTORS										U
U	4	DRAWN BY R WILLIAMS 12-9-61 CHECKED BY R ENGLISH										U
U	6	UNIT NAME INPUT-OUTPUT CONTROL UNIT MODEL 3										U
U	8	SYSTEM B5500										U

M- 11204161AB

UNIT NO. 16303125

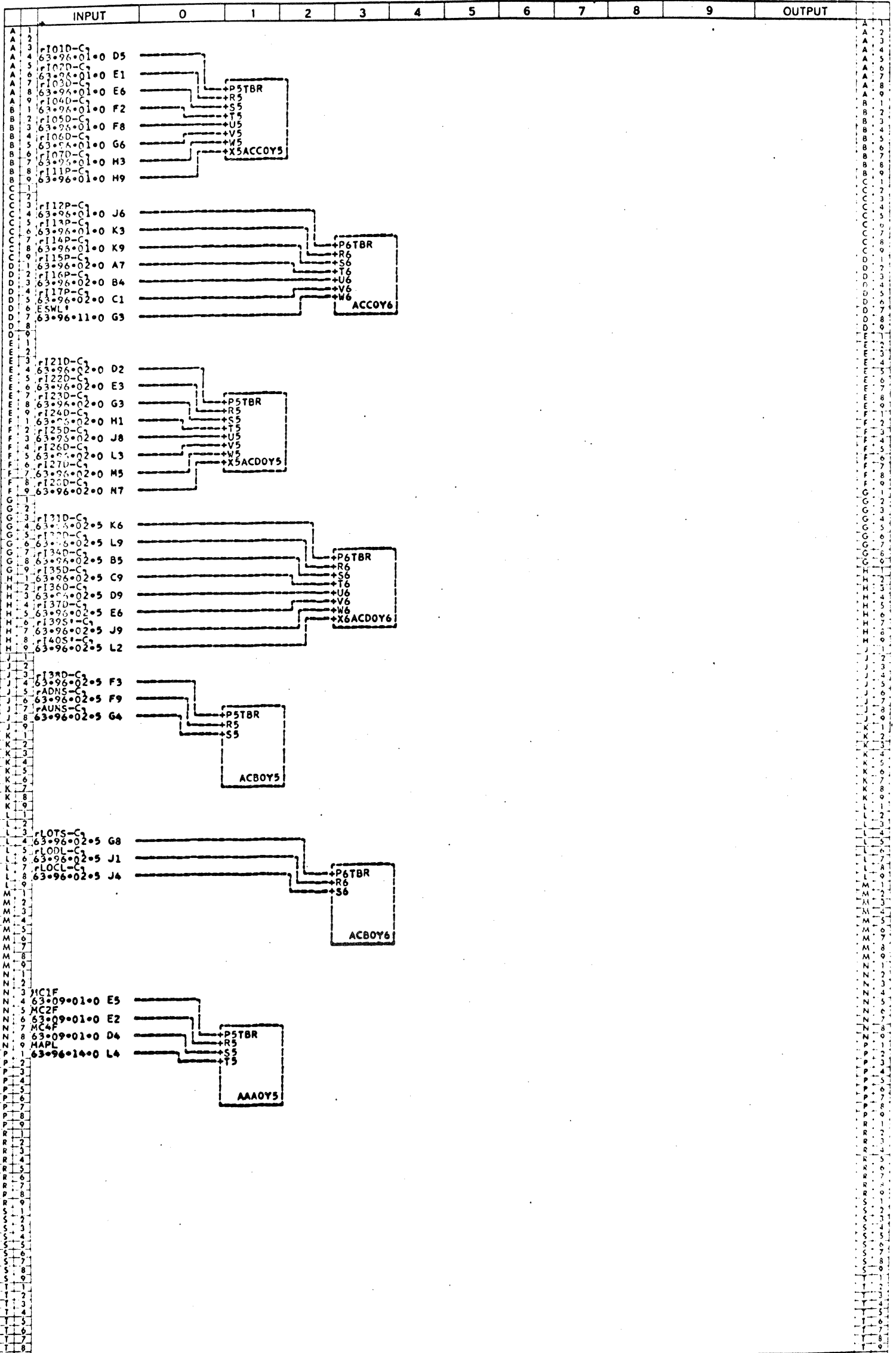
PAGE NO. A3298-00-00

ELECTRODATA **Burroughs Corporation** PASADENA CALIFORNIA

MAE DIVISION

PROPERTY OF BURROUGHS CORPORATION NOT TO BE REPRODUCED, NOR USED FOR MANUFACTURING PURPOSES, EXCEPT ON BURROUGHS ORDER OR PRIOR WRITTEN CONSENT

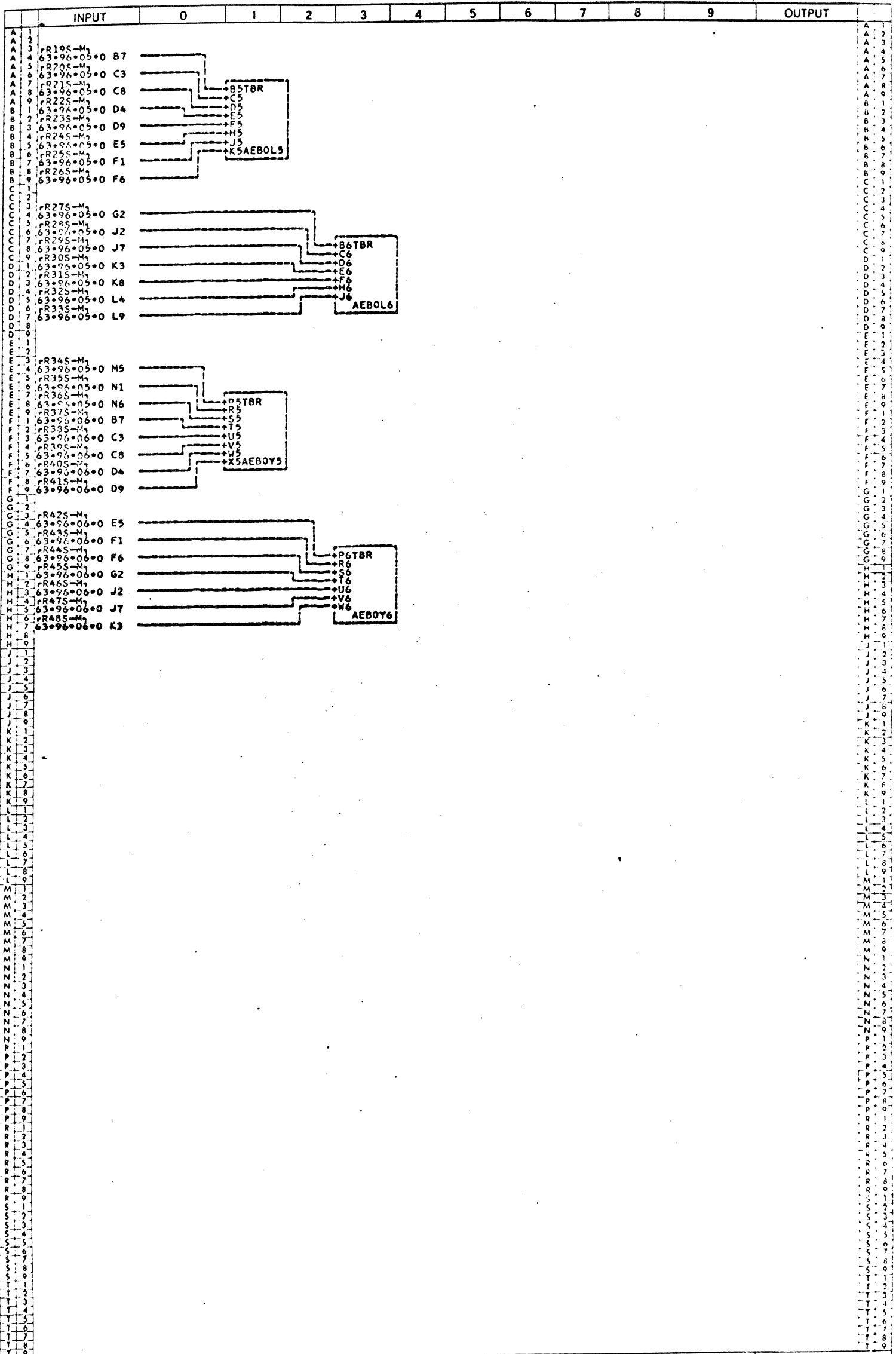
LOGIC SCHEMATIC



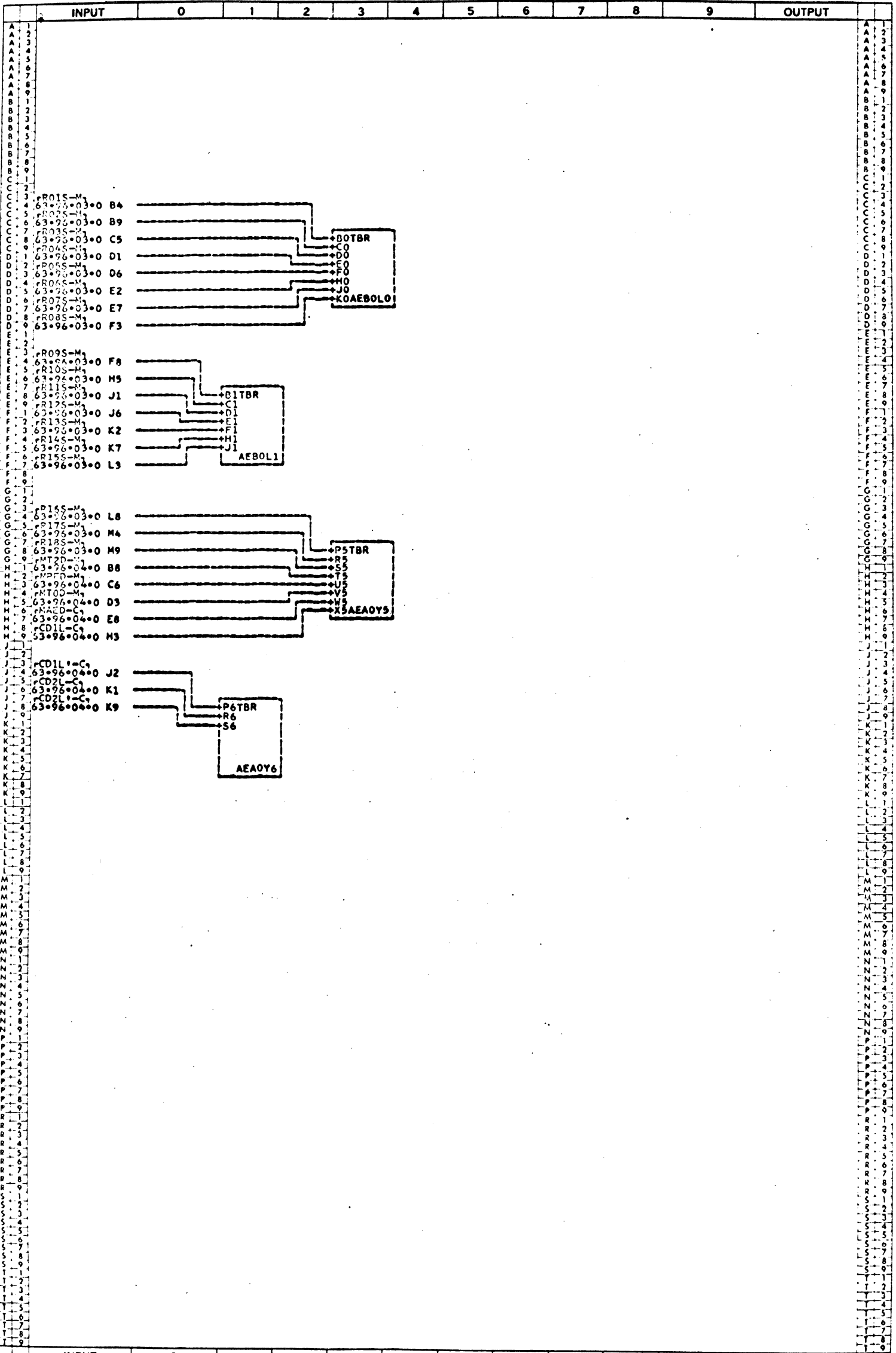
INPUT	0	1	2	3	4	5	6	7	8	9	OUTPUT
U 2	TITLE TERMINATING RESISTORS										U 2
U 4	DRAWN BY DOOLING										U 4
U 6	UNIT NAME INPUT-OUTPUT CONTROL UNIT MODEL 3										U 6
U 8	SYSTEM B5500										U 8

Burroughs Corporation
 ELECTRODATA M&E DIVISION PASADENA CALIFORNIA
 PROPERTY OF BURROUGHS CORPORATION NOT TO BE REPRODUCED NOR USED FOR MANUFACTURING PURPOSES EXCEPT ON BURROUGHS ORDER OR PRIOR WRITTEN CONSENT

LOGIC SCHEMATIC



LOGIC SCHEMATIC



INPUT	0	1	2	3	4	5	6	7	8	9	OUTPUT	
U 2	TITLE TERMINATING RESISTORS										U 2	
U 4	DRAWN BY R W WENTSEL			CHECKED BY ENGLISH			M- 11204203AA			7-7-62		U 4
U 6	UNIT NAME INPUT-OUTPUT CONTROL UNIT MODEL 3										U 6	
U 8	SYSTEM B5200										U 8	

PROPERTY OF BURROUGHS CORPORATION NOT TO BE REPRODUCED, NOR USED FOR MANUFACTURING PURPOSES EXCEPT ON BURROUGHS ORDER OR PRIOR WRITTEN CONSENT

Burroughs Corporation

PASADENA CALIFORNIA

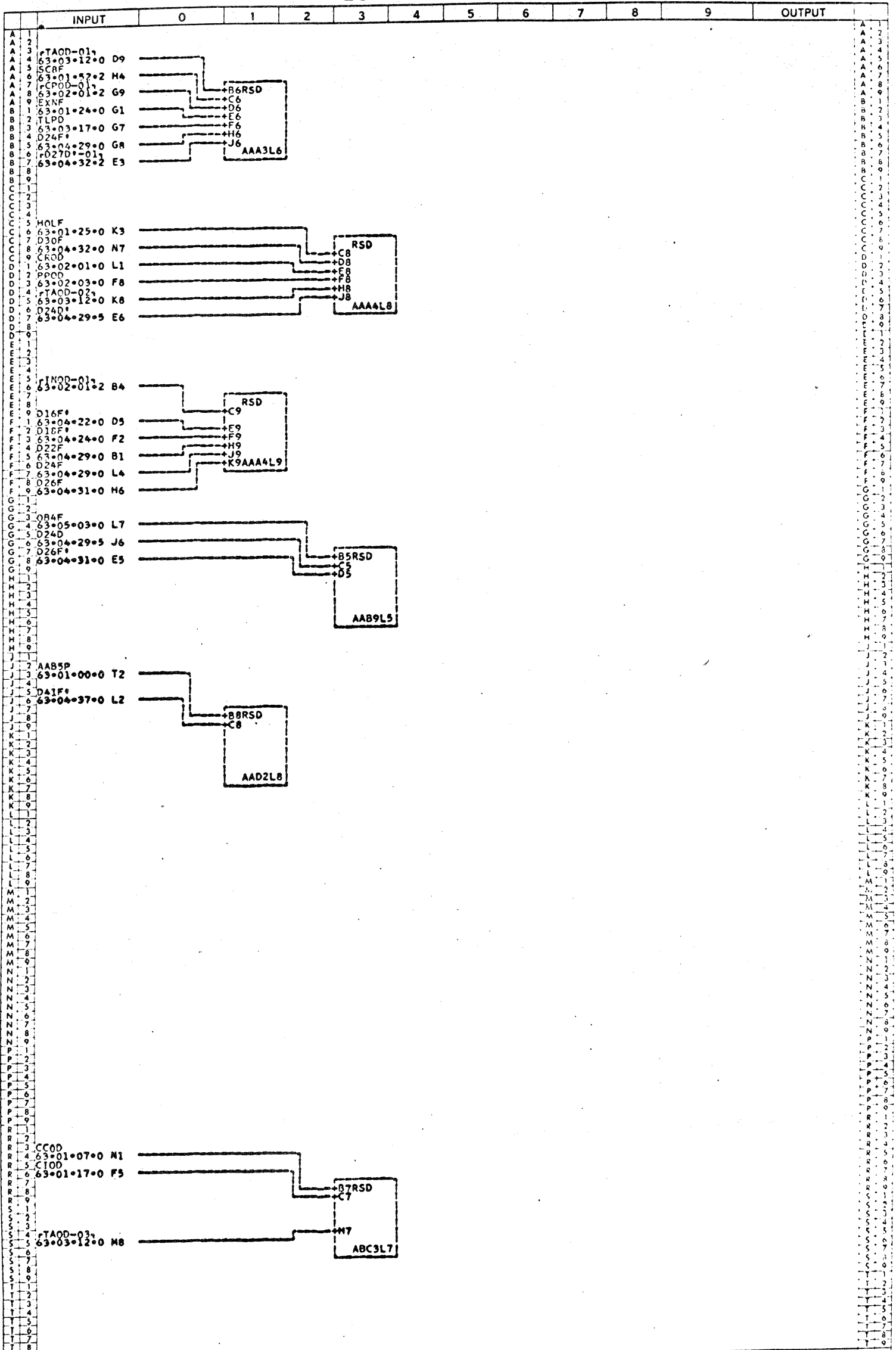
U 2

U 4

U 6

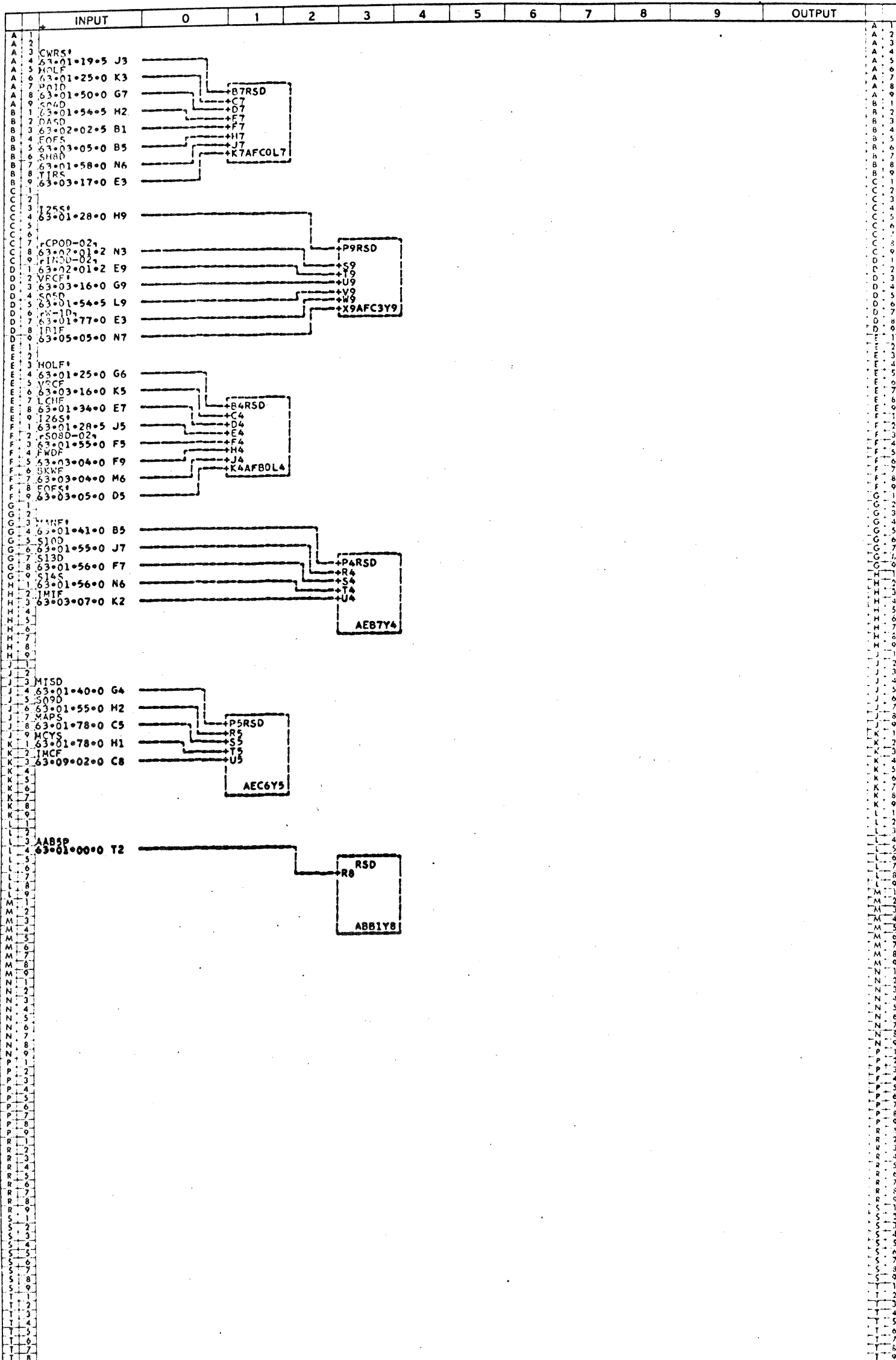
U 8

LOGIC SCHEMATIC



INPUT	0	1	2	3	4	5	6	7	8	9	OUTPUT
U 2	TITLE TERMINATING RESISTORS										U 2
U 4	DRAWN BY ZINES										U 4
U 6	UNIT NAME INPUT-OUTPUT CONTROL UNIT MODEL 3										U 6
U 8	SYSTEM ASS00										U 8
						M- 11204211A8		ELECTRODATA M & E DIVISION		Burroughs Corporation PASADENA CALIFORNIA	
						CHECKED BY DOOLING		UNIT NO. 16303125		PROPERTY OF BURROUGHS CORPORATION NOT TO BE REPRODUCED, NOR USED FOR MANUFACTURING PURPOSES, EXCEPT ON BURROUGHS ORDER OR PRIOR WRITTEN CONSENT	
						PAGE NO. 63-9A-10-0					

LOGIC SCHEMATIC



INPUT	0	1	2	3	4	5	6	7	8	9	OUTPUT
U 2	TITLE TERMINATING RESISTORS										U 2
U 4	DRAWN BY ZINES										U 4
U 6	UNIT NAME INPUT-OUTPUT CONTROL UNIT MODEL 3										U 6
U 8	SYSTEM 85500										U 8
H- 11204237AR CHECKED BY DOOLING OCT-62 UNIT NO. 16303125 PAGE NO. 63-98-12-0											
ELECTRODATA M & E DIVISION Burroughs Corporation PASADENA CALIFORNIA											
PROPERTY OF BURROUGHS CORPORATION NOT TO BE REPRODUCED, NOR USED FOR MANUFACTURING PURPOSES EXCEPT ON BURROUGHS ORDER OR PRIOR WRITTEN CONSENT											