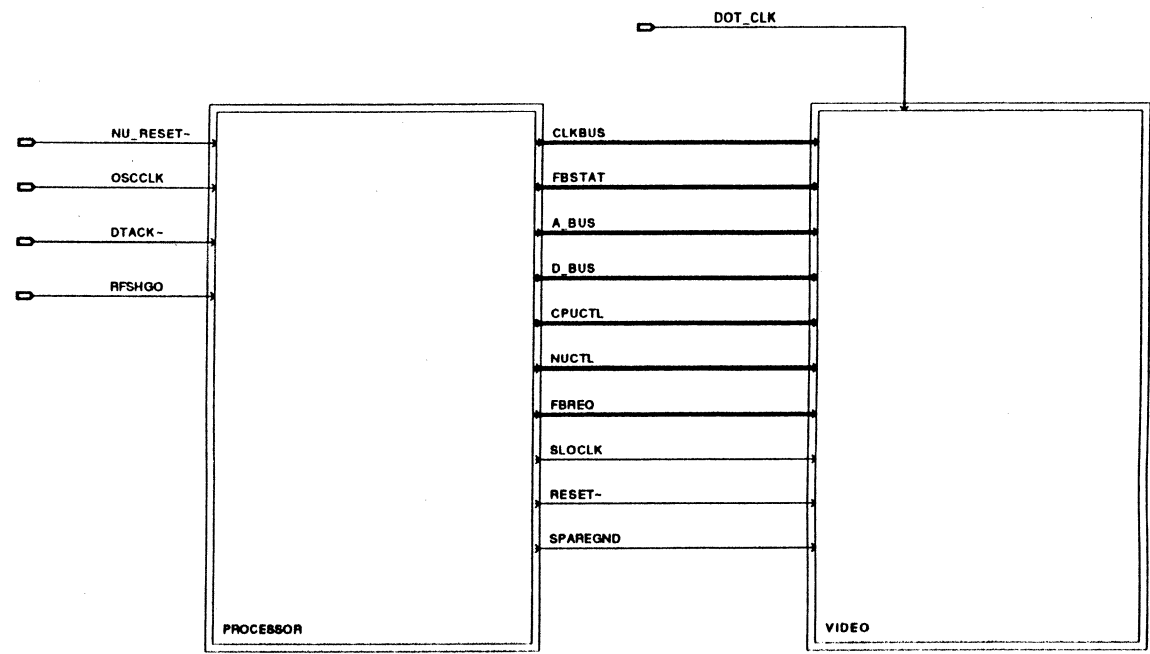
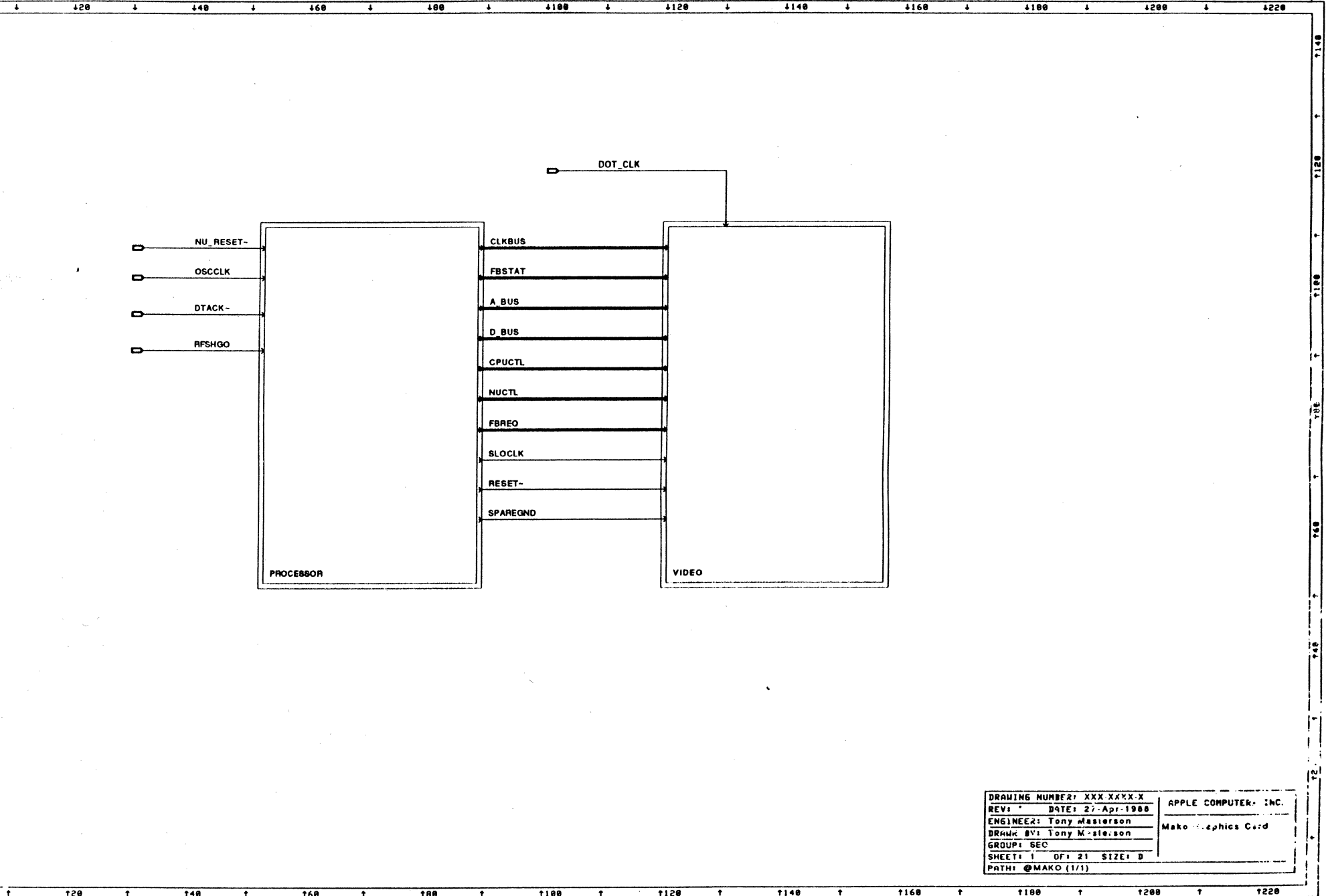


MAKO

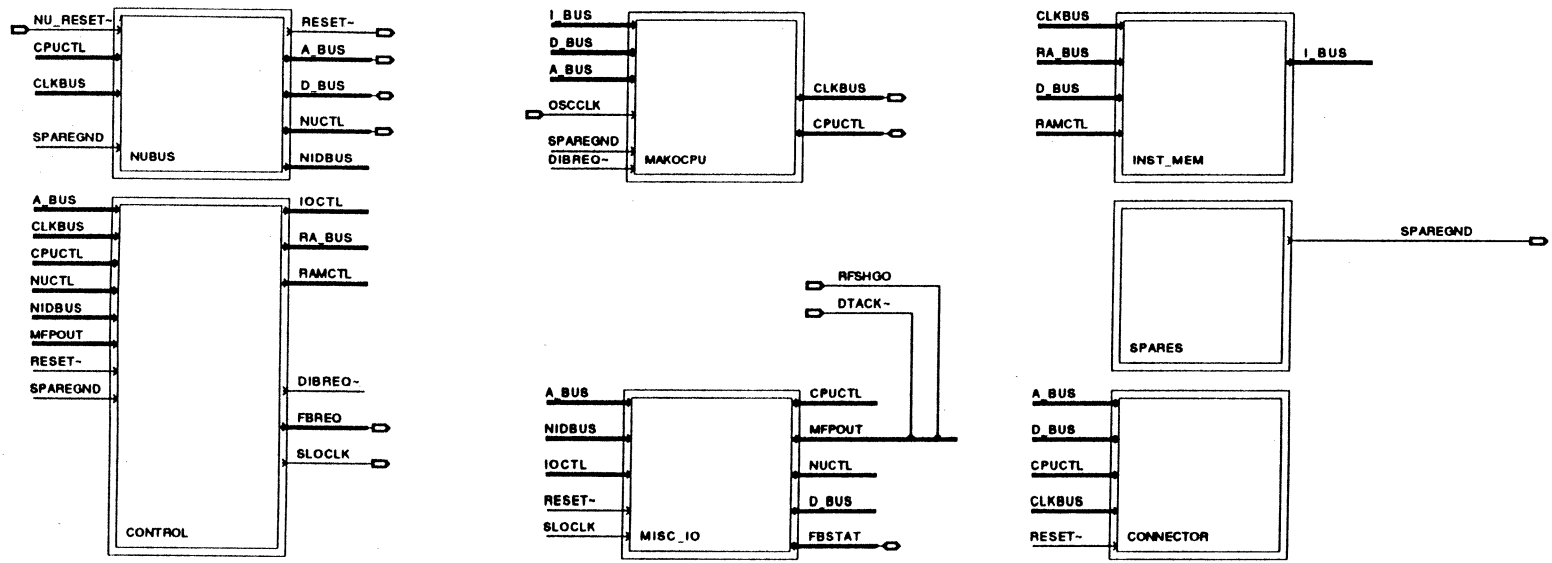
5/27/88



DRAWING NUMBER: XXX XXXX-X	APPLE COMPUTER, INC.
REV: * DATE: 27-Apr-1988	Mako Graphics Card
ENGINEER: Tony Masterson	
DRAWN BY: Tony Masterson	
GROUP: SEC	
SHEET: 1 OF: 21 SIZE: D	
PATH: @MAKO (1/1)	

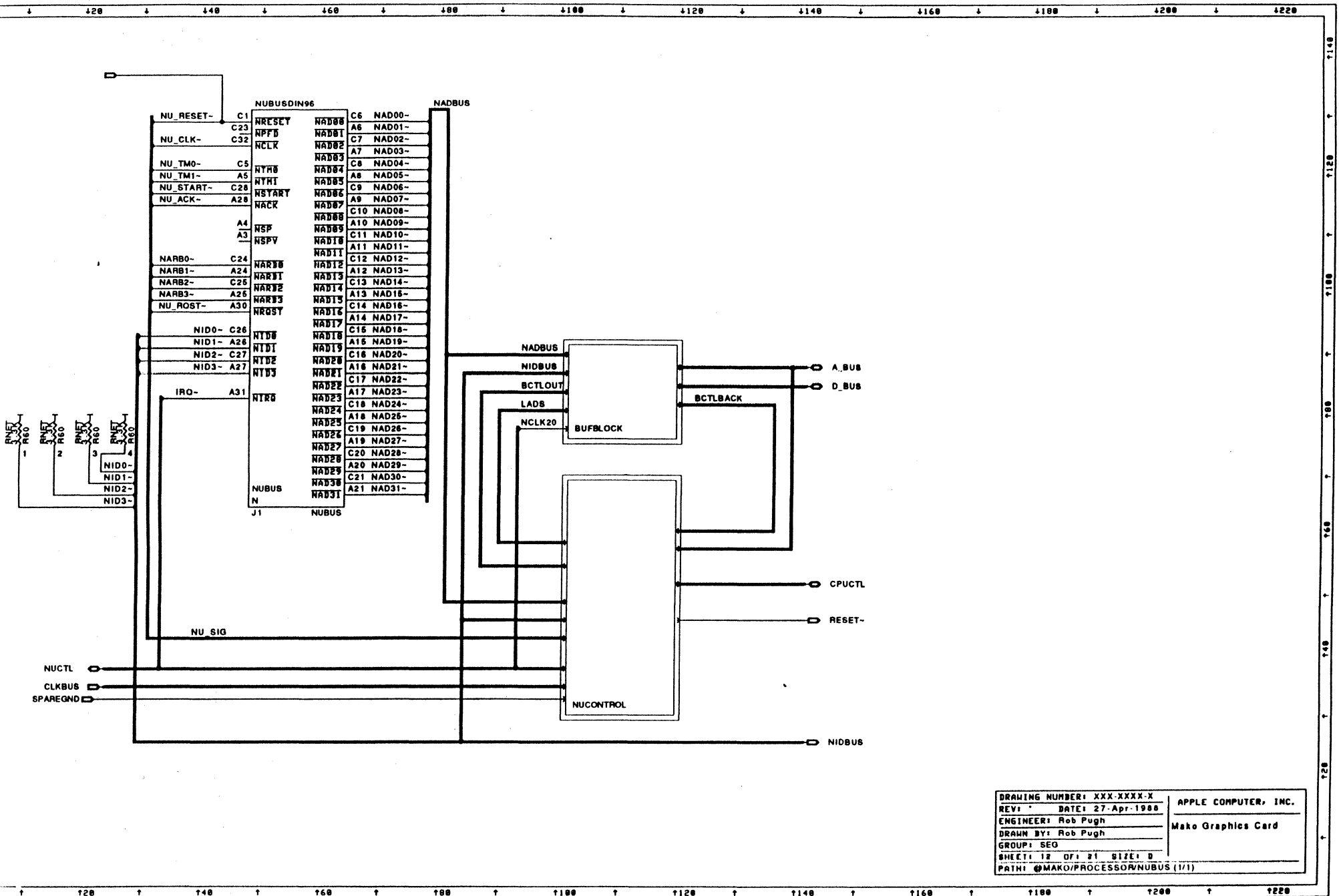


MAKO / PROCESSOR

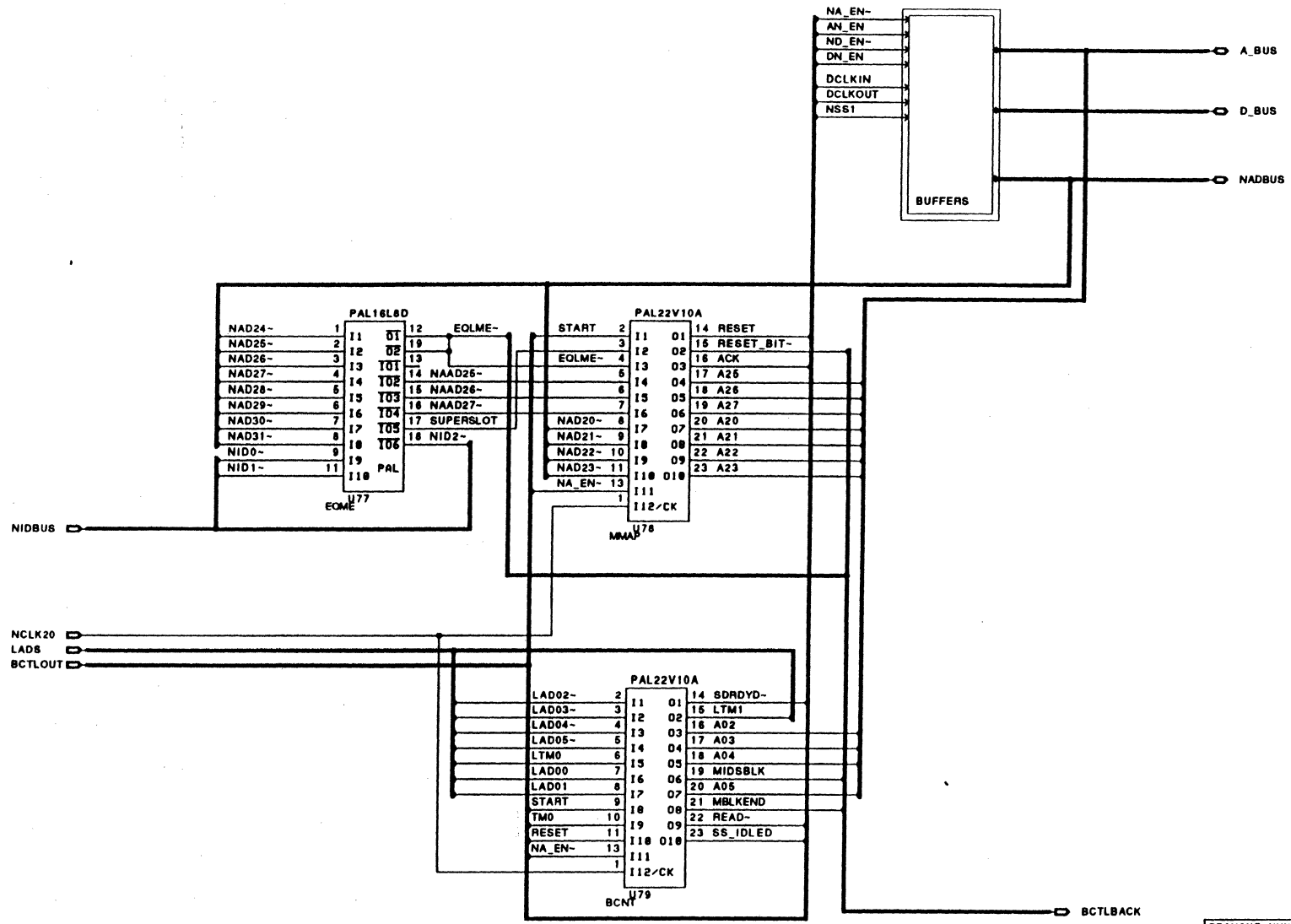


DRAWING NUMBER: XXX-XXXX-X	APPLE COMPUTER, INC.
REV: * DATE: 27-Apr-1988	Mako Graphics Card
ENGINEER: Tony Masterson	
DRAWN BY: Tony Masterson	
GROUP: SEG	
SHEET: 2 OF: 21 SIZE: D	
PATH: @MAKO/PROCESSOR (1/1)	

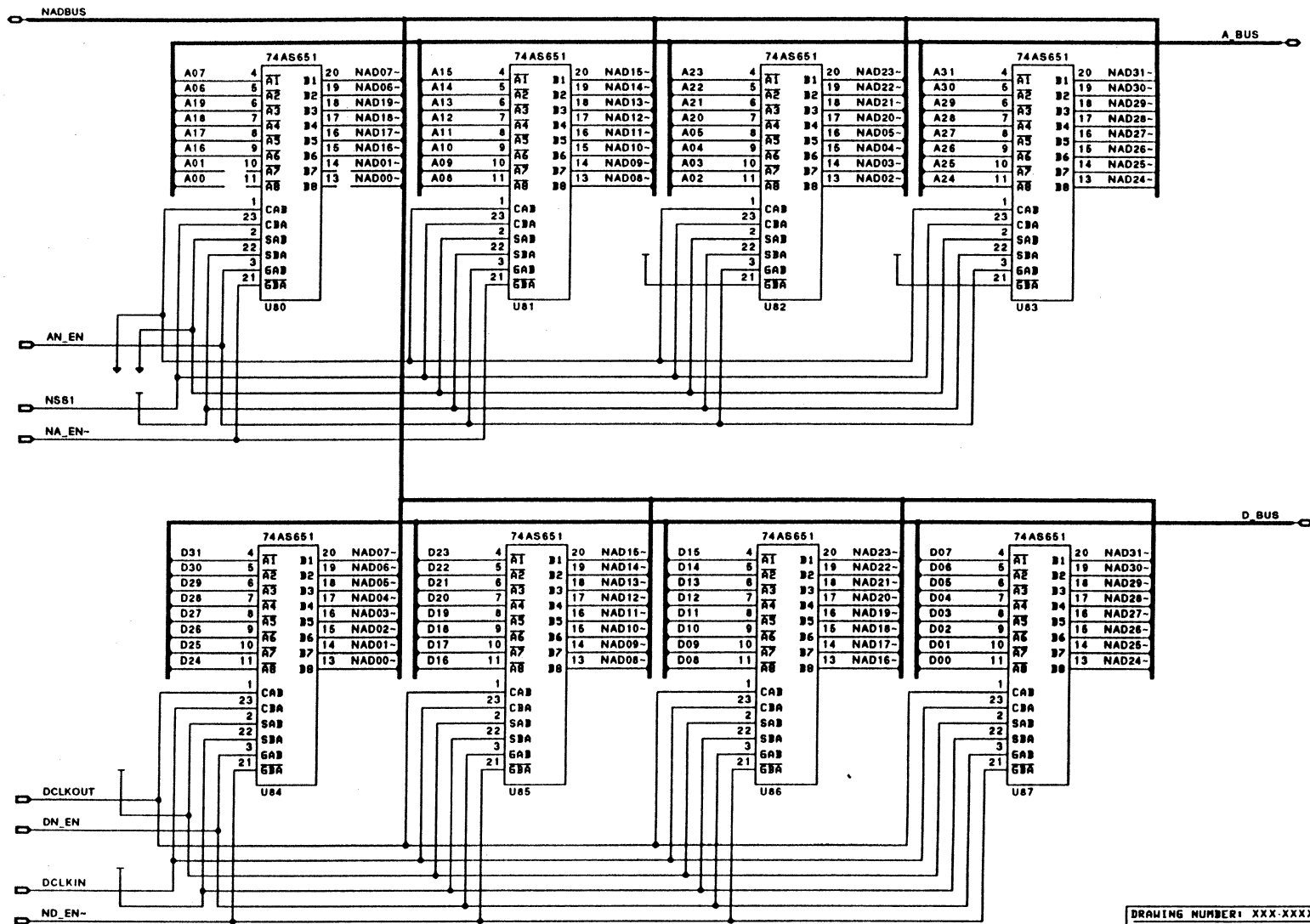
NUBUS



DRAWING NUMBER: XXX-XXXX-X	APPLE COMPUTER, INC.
REV: DATE: 27-Apr-1988	Mako Graphics Card
ENGINEER: Rob Pugh	
DRAWN BY: Rob Pugh	
GROUP: SEQ	
SHEET: 12 OF 21 SIZE: D	
PATH: @MAKO/PROCESSOR/NUBUS (1/1)	



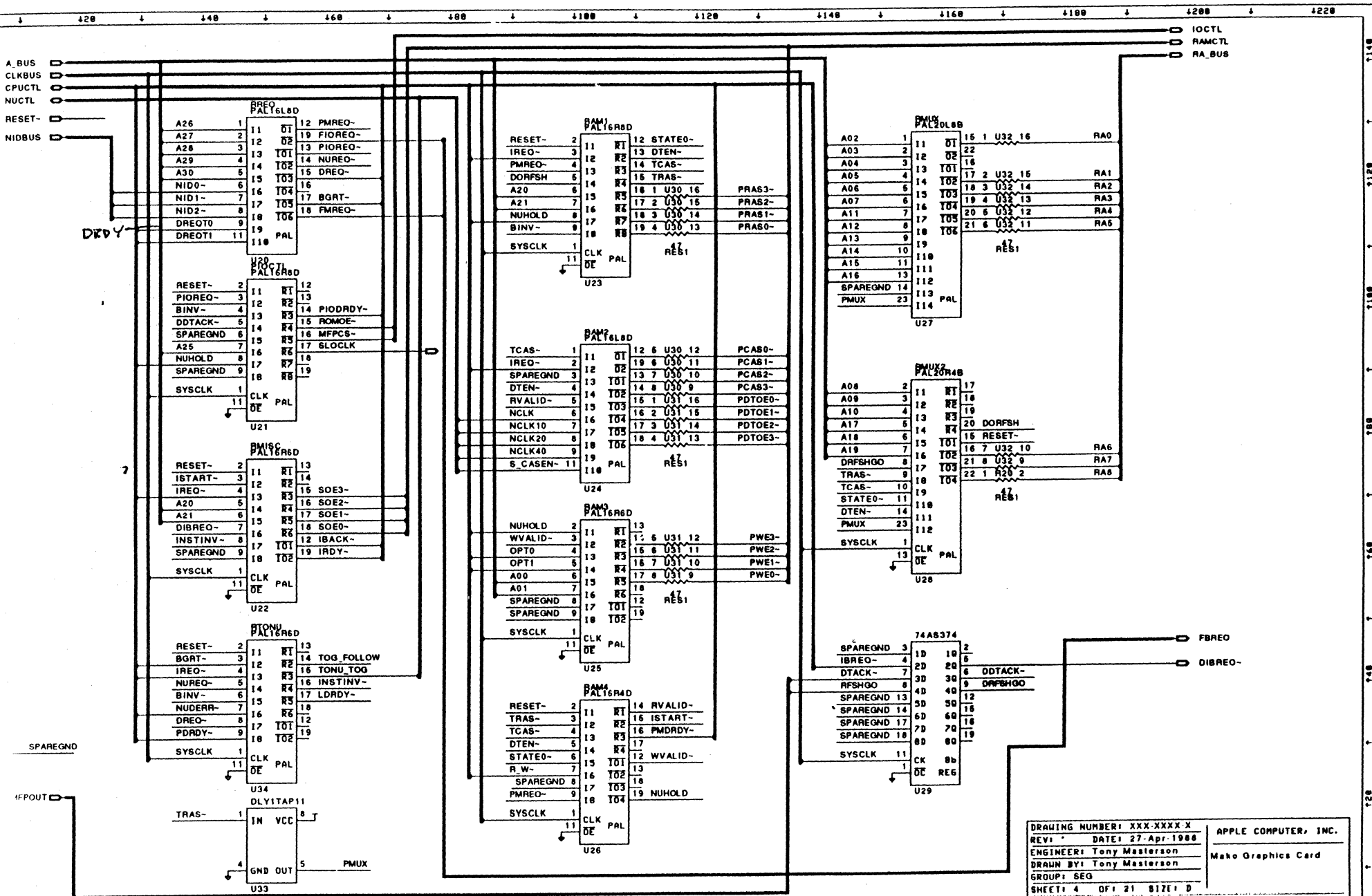
DRAWING NUMBER: XXX-XXXX-X	APPLE COMPUTER, INC.
REV: DATE: 27-Apr-1988	
ENGINEER: Rob Pugh	Make Graphics Card
DRAWN BY: Rob Pugh	THE BLOCK-TITLE
GROUP: SEG	THE PAGE-TITLE
SHEET: 13 OF: 21 SIZE: D	
PATH: @MAKO/PROCESSOR/NIDBUS/BUFBLOCK (1/1)	



DRAWING NUMBER: XXX-XXXX-X
 REV: DATE: 27-Apr-1988
 ENGINEER: Rob Pugh
 DRAWN BY: Rob Pugh
 GROUP: 6EG
 SHEET: 14 OF: 21 SIZE: D
 PATH: @MAKO/PROCESSOR/NUBUS/BUFBLOCK/BUFFERS (1/1)

APPLE COMPUTER, INC.
 Make Graphics Card

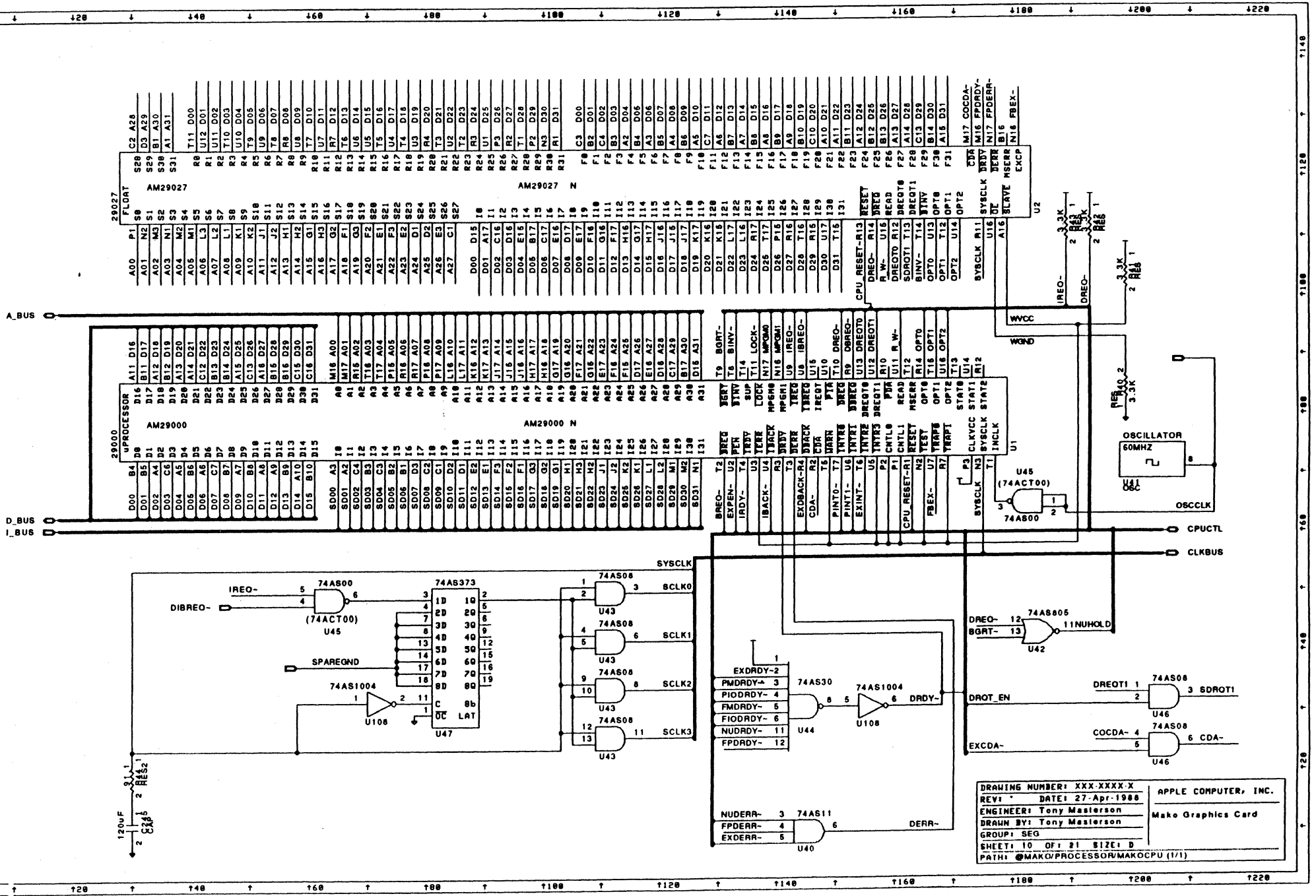
PROCESSOR / CONTROL



DRAWING NUMBER: XXX-XXXX-X
 REV: DATE: 27-Apr-1988
 ENGINEER: Tony Masterson
 DRAWN BY: Tony Masterson
 GROUP: SEG
 SHEET: 4 OF: 21 SIZE: D
 PATH: @MAKO/PROCESSOR/CONTROL (1/1)

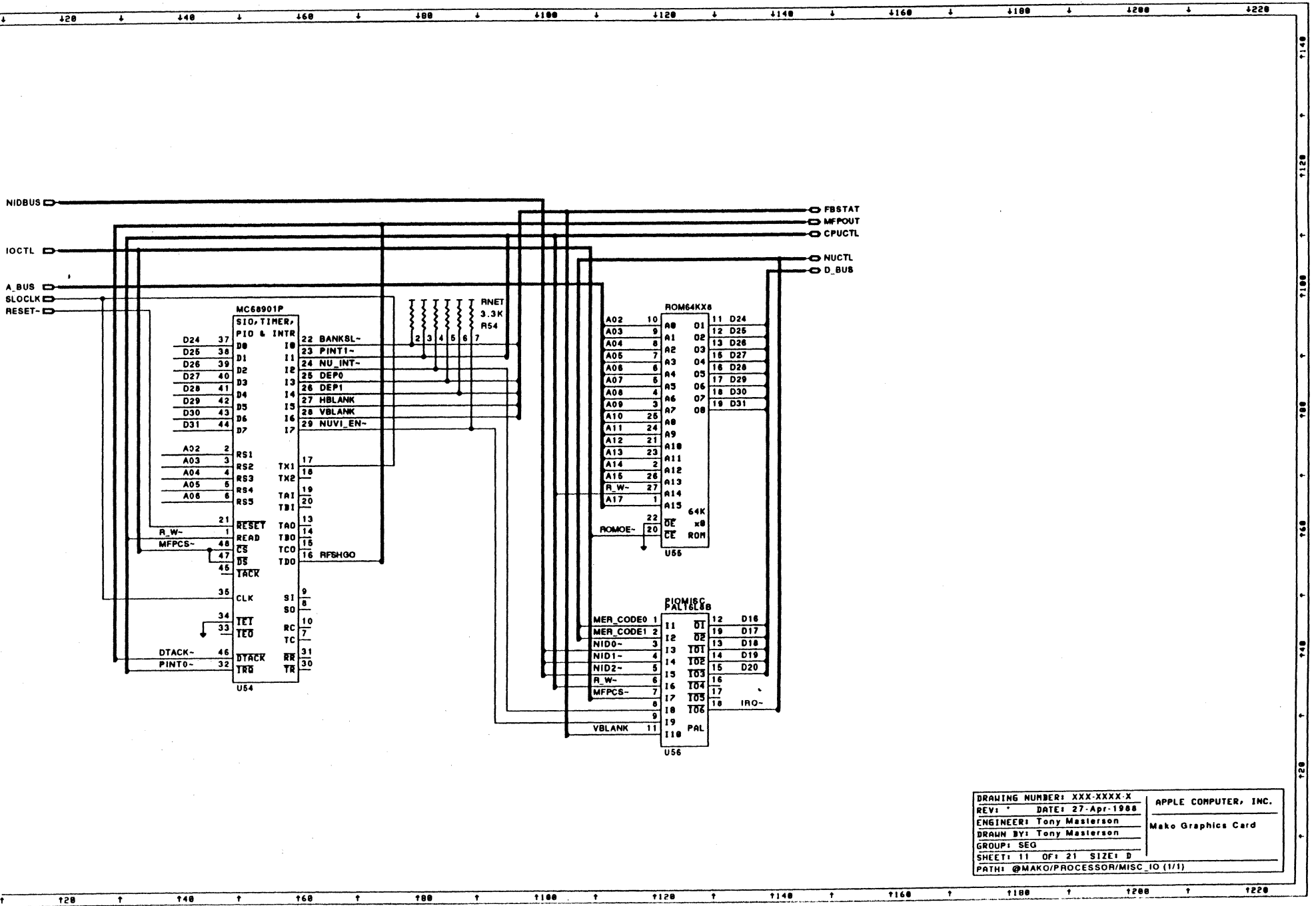
APPLE COMPUTER, INC.
 Make Graphics Card

PROCESSOR / MAKO CPU



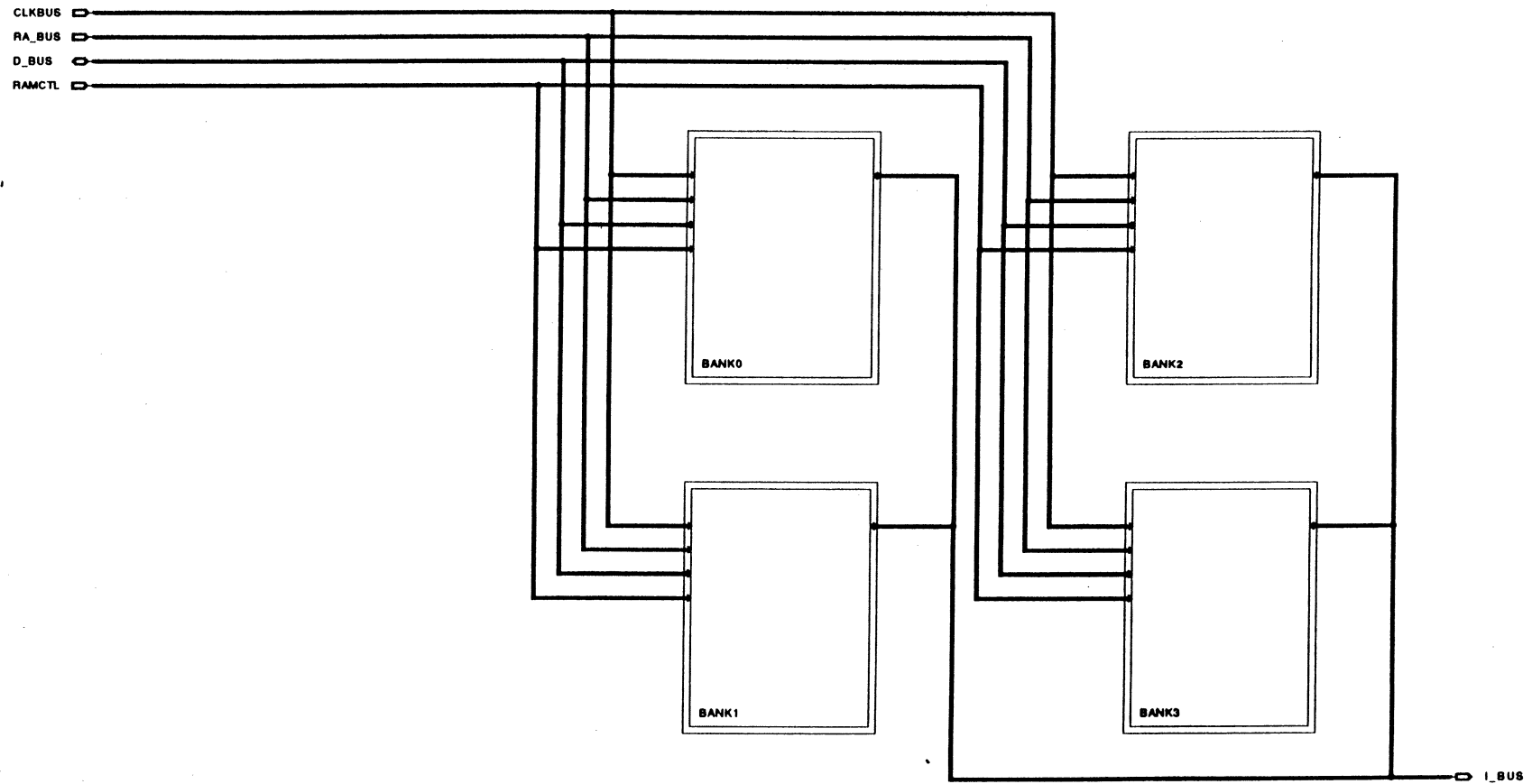
DRAWING NUMBER: XXX-XXX-X	APPLE COMPUTER, INC.
REV: DATE: 27-Apr-1988	
ENGINEER: Tony Masterson	Mako Graphics Card
DRAWN BY: Tony Masterson	
GROUP: SEG	
SHEET: 10 OF: 31 SIZE: D	
PATH: @MAKO/PROCESSOR/MAKOCPU (1/1)	

PROCESSOR / MISC_IO



DRAWING NUMBER: XXX-XXX-X	APPLE COMPUTER, INC.
REV: DATE: 27-Apr-1988	Mako Graphics Card
ENGINEER: Tony Masterson	
DRAWN BY: Tony Masterson	
GROUP: SEG	
SHEET: 11 OF: 21 SIZE: D	
PATH: @MAKO/PROCESSOR/MISC_IO (1/1)	

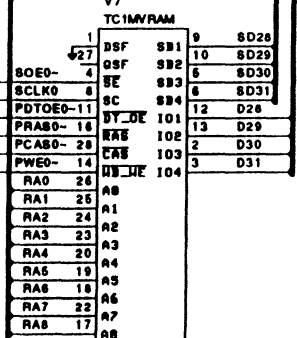
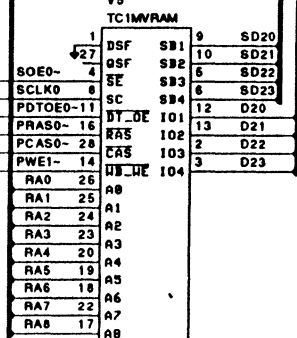
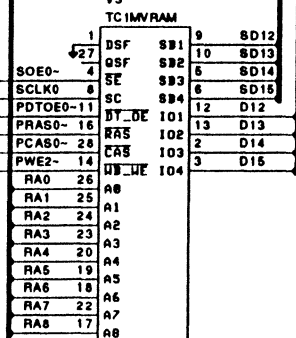
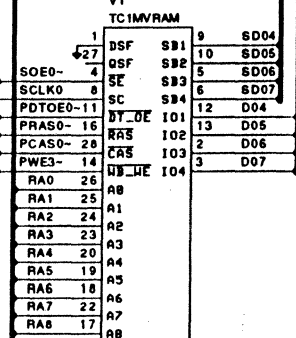
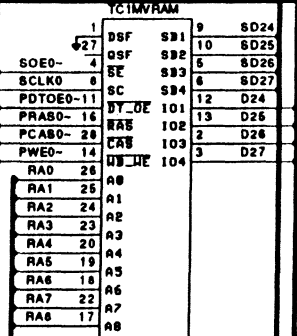
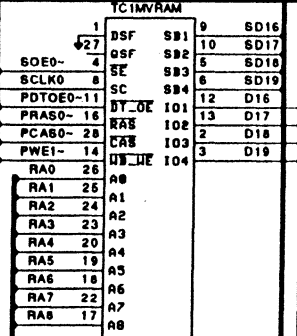
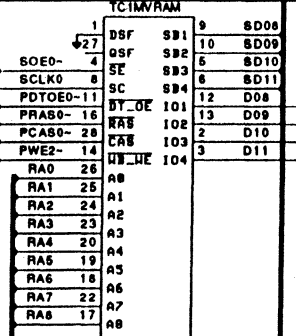
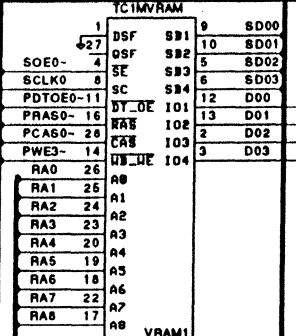
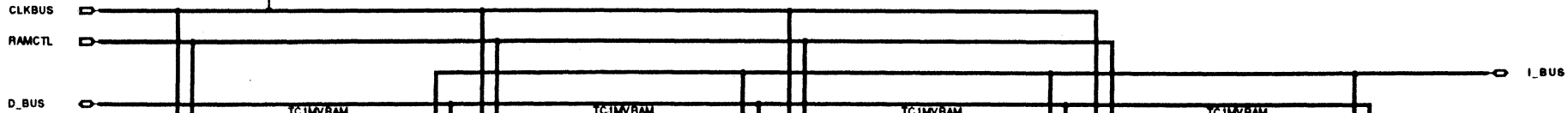
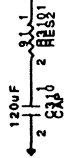
PROCESSOR/INST-MEM



DRAWING NUMBER: XXX-XXXX-X	APPLE COMPUTER, INC.
REV: DATE: 27-Apr-1988	Mako Graphics Card
ENGINEER: Tony Masterson	
DRAWN BY: Tony Masterson	
GROUP: SEG	
SHEET: 5 OF: 21 SIZE: D	
PATH: @MAKO/PROCESSOR/INST_MEM (1/1)	

↓ 120 ↓ 140 ↓ 160 ↓ 180 ↓ 100 ↓ 1120 ↓ 1140 ↓ 1160 ↓ 1180 ↓ 1200 ↓ 1220

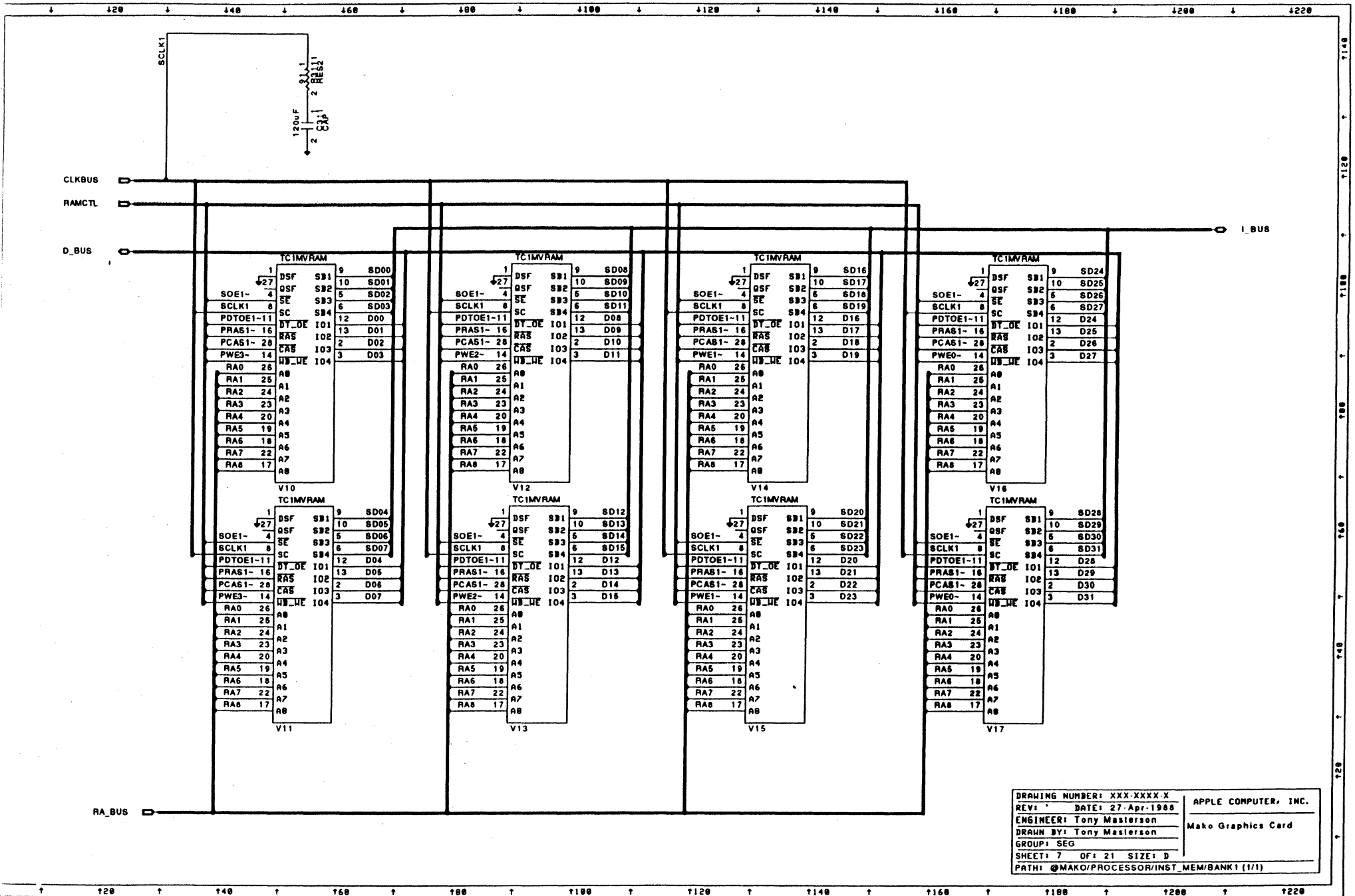
SCLK0



RA_BUS

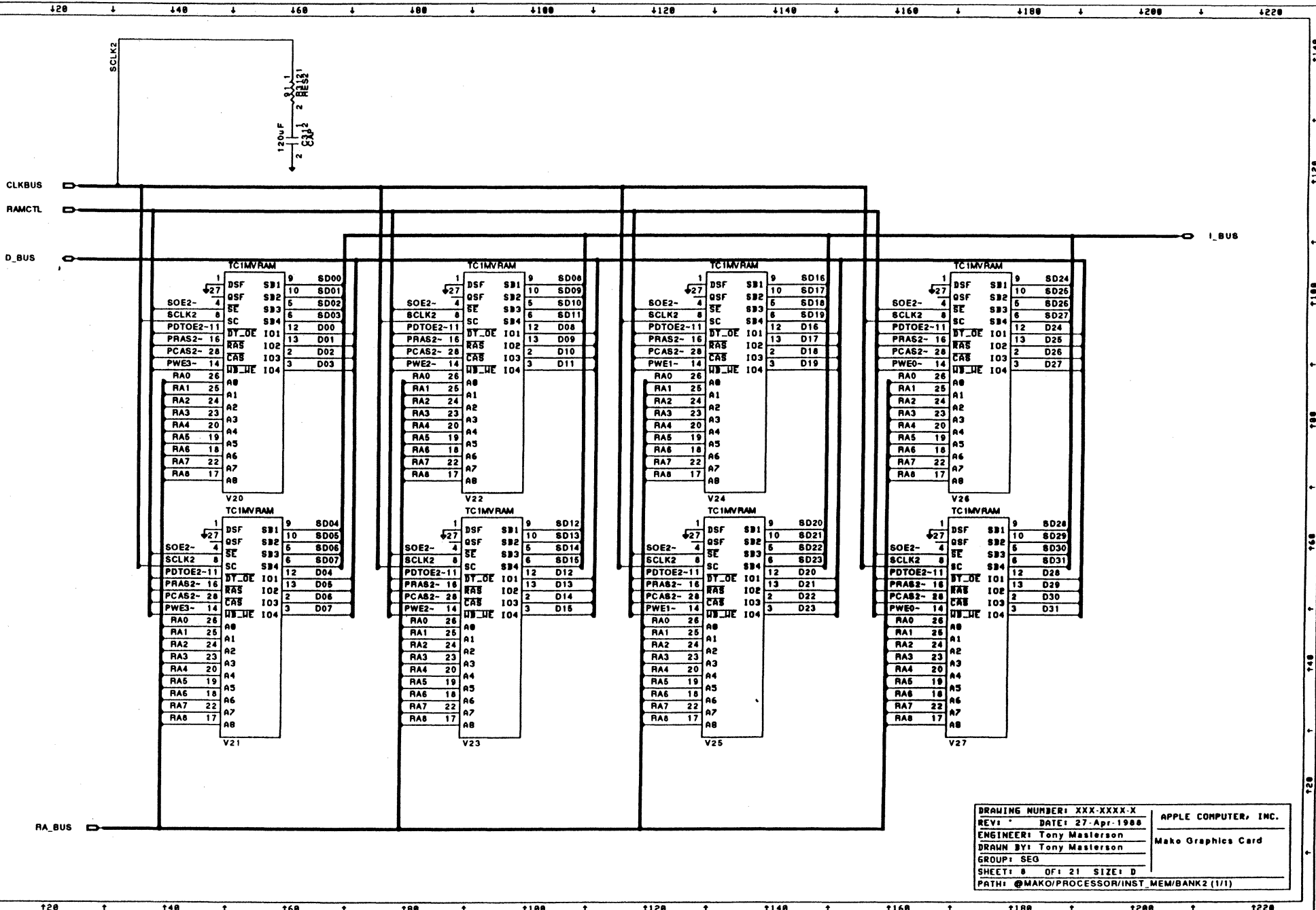
DRAWING NUMBER: XXX-XXXX
REV: DATE: 27-Apr-1988
ENGINEER: Tony Masterson
DRAWN BY: Tony Masterson
GROUP: SEG
SHEET: 6 OF: 21 SIZE: D
PATH: @MAKO/PROCESSOR/INST_MEM/BANK0 (1/1)
APPLE COMPUTER, INC.
Make Graphics Card

↑ 120 ↑ 140 ↑ 160 ↑ 180 ↑ 100 ↑ 1120 ↑ 1140 ↑ 1160 ↑ 1180 ↑ 1200 ↑ 1220



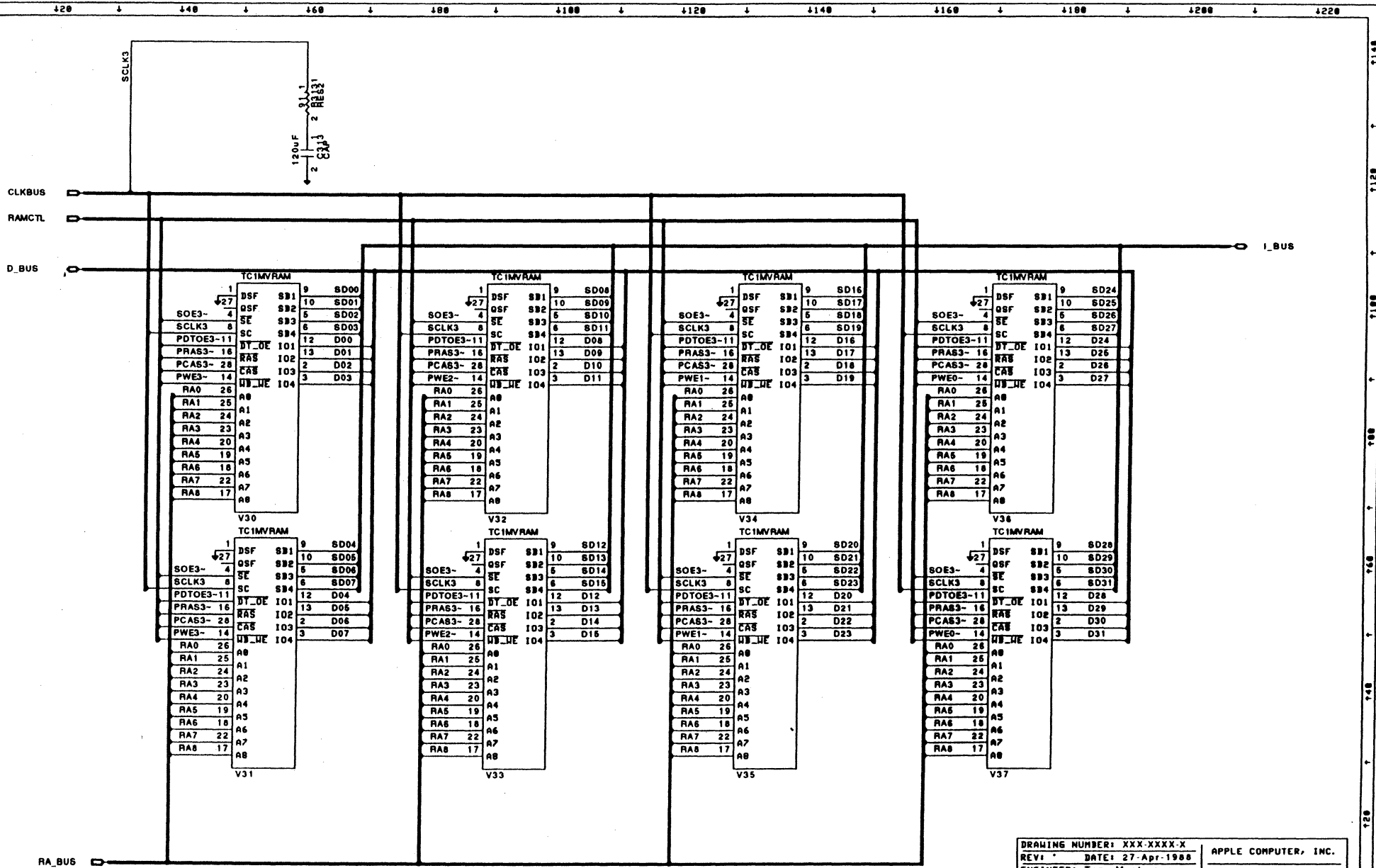
DRAWING NUMBER: XXX-XXXX X
 REV: DATE: 27-Apr-1988
 ENGINEER: Tony Masterson
 DRAWN BY: Tony Masterson
 GROUP: SEG
 SHEET: 7 OF: 21 SIZE: D
 PATH: @NAKO/PROCESSOR/INST_MEM/BANK1 (1/1)

APPLE COMPUTER, INC.
 Mako Graphics Card



DRAWING NUMBER: XXX-XXXX-X
 REV: DATE: 27-Apr-1988
 ENGINEER: Tony Masterson
 DRAWN BY: Tony Masterson
 GROUP: SEG
 SHEET: 8 OF 21 SIZE: D
 PATH: @MAKO/PROCESSOR/INST_MEM/BANK2 (1/1)

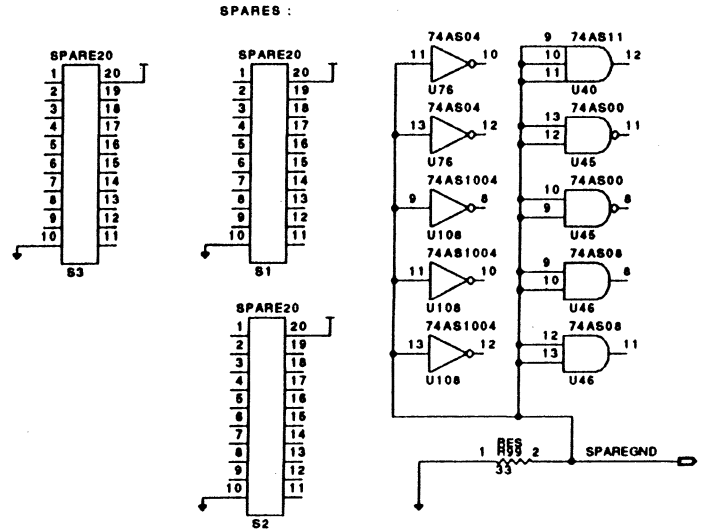
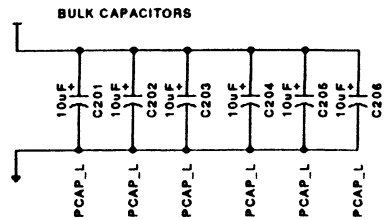
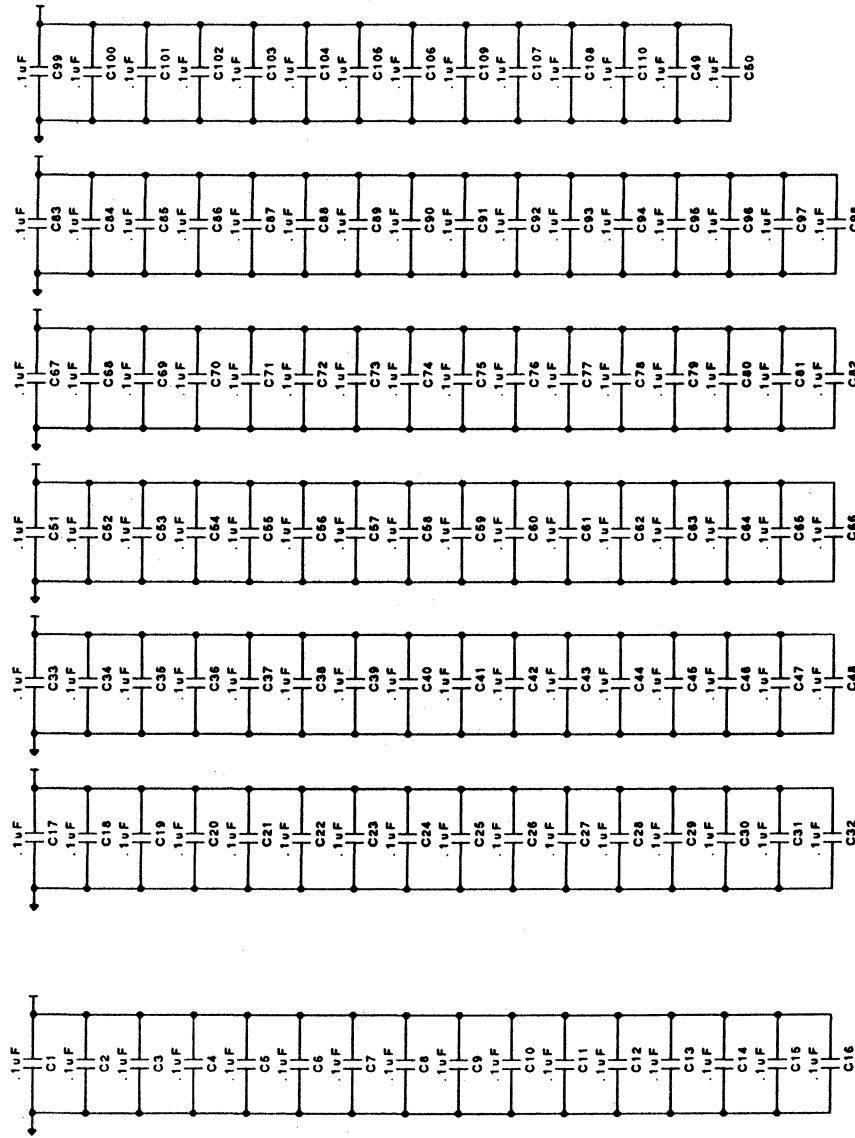
APPLE COMPUTER, INC.
 Make Graphics Card



DRAWING NUMBER: XXX-XXXX-X
 REV: DATE: 27-Apr-1988
 ENGINEER: Tony Masterson
 DRAWN BY: Tony Masterson
 GROUP: SEG
 SHEET: 9 OF 21 SIZE: D
 PATH: @MAKO/PROCESSOR/INST_MEM/BANK3 (1/1)

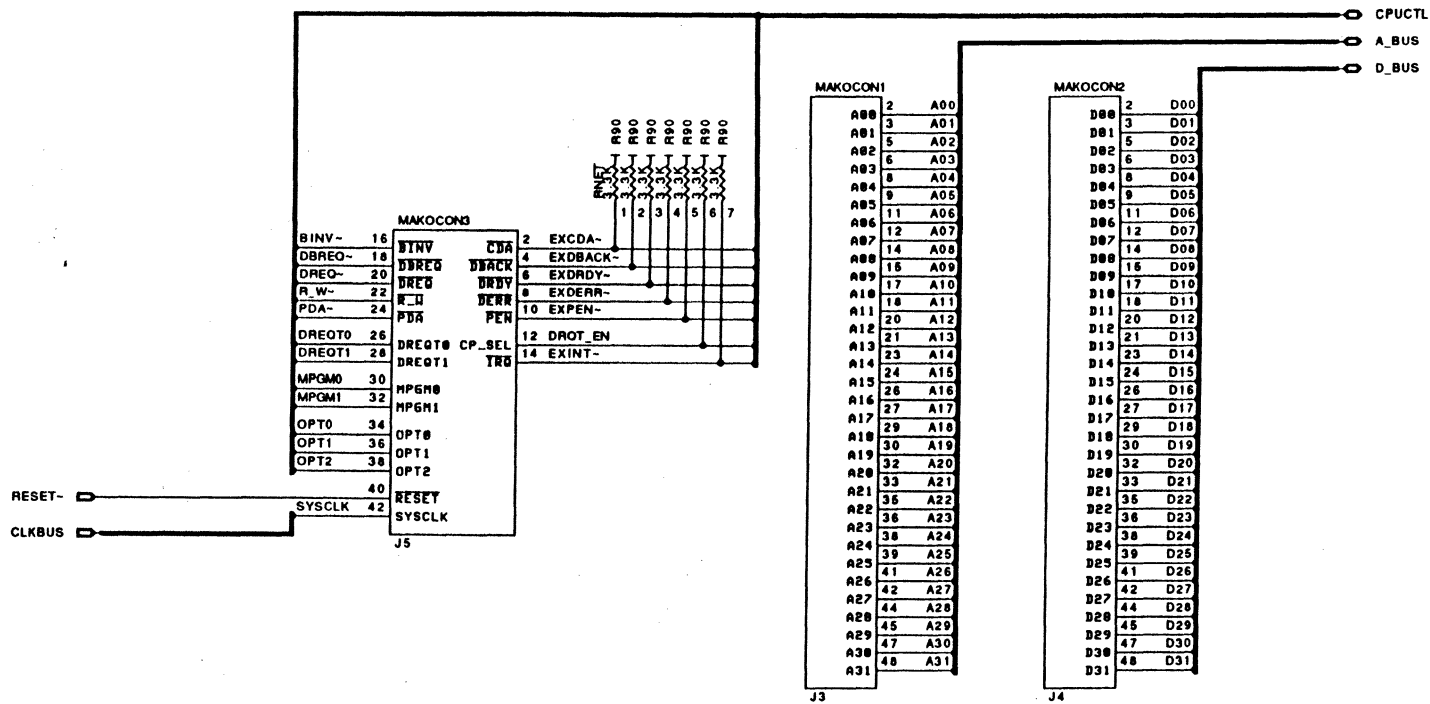
APPLE COMPUTER, INC.
 Mako Graphics Card

PROCESSOR/SPARES



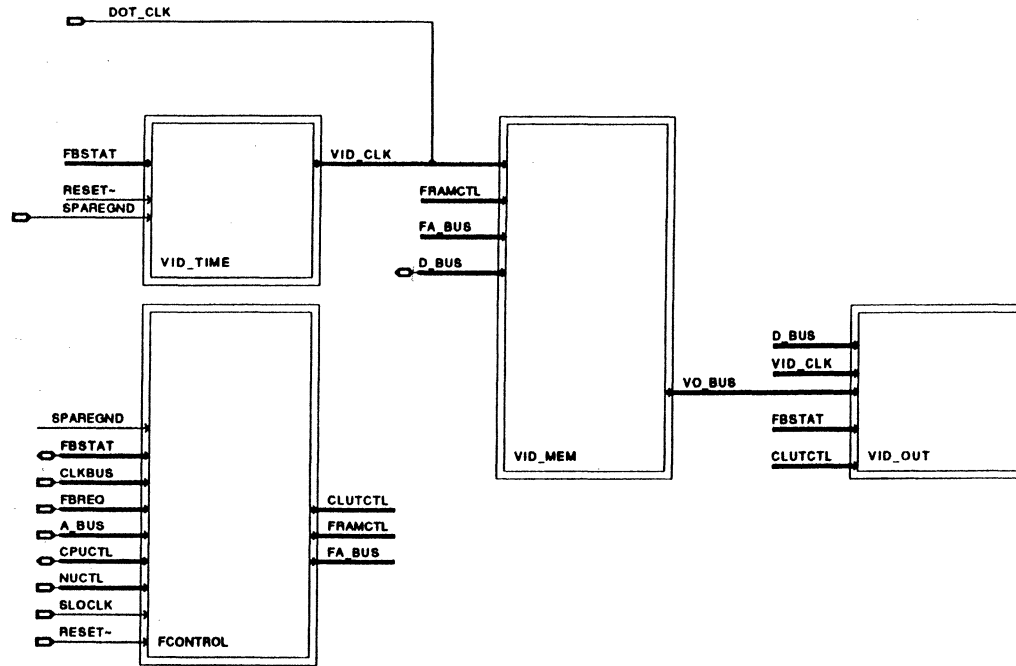
DRAWING NUMBER: XXX-XXXX-X	APPLE COMPUTER, INC.
REV: DATE: 27-Apr-1988	Mako Graphics Card
ENGINEER: Tony Masterson	
DRAWN BY: Tony Masterson	
GROUP: 56G	
SHEET: 16 OF: 21 SIZE: D	
PATH: @MAKO/PROCESSOR/SPARES (1/1)	

PROCESSOR/CONNECTOR



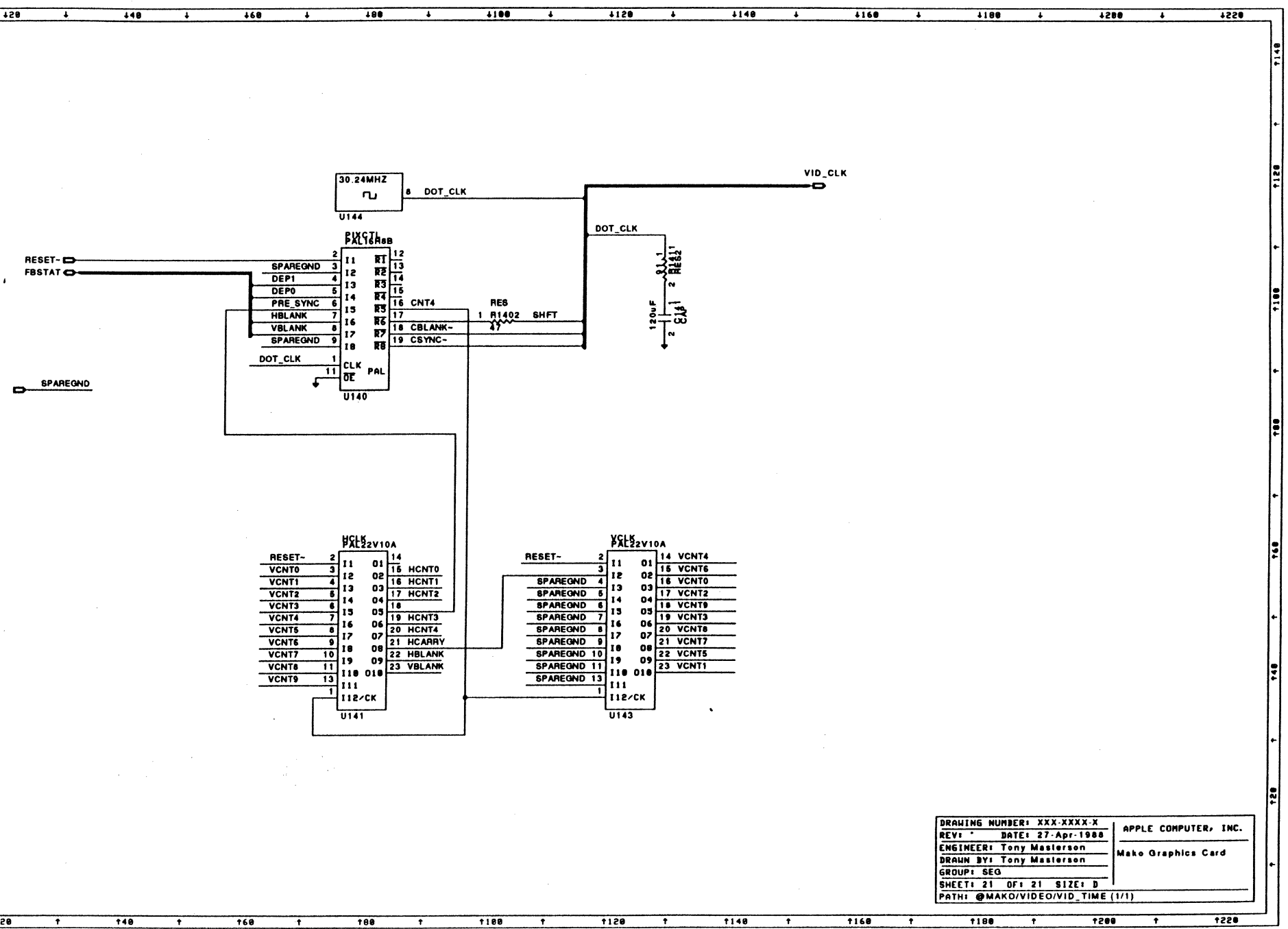
DRAWING NUMBER: XXX-XXXX-X	APPLE COMPUTER, INC.
REV: _____ DATE: 27-Apr-1988	Mako Graphics Card
ENGINEER: Tony Masterson	THE BLOCK-TITLE
DRAWN BY: Tony Masterson	THE PAGE-TITLE
GROUP: SEG	
SHEET: 3 OF: 21 SIZE: D	
PATH: @MAKO/PROCESSOR/CONNECTOR (1/1)	

MAKO (VIDEO)



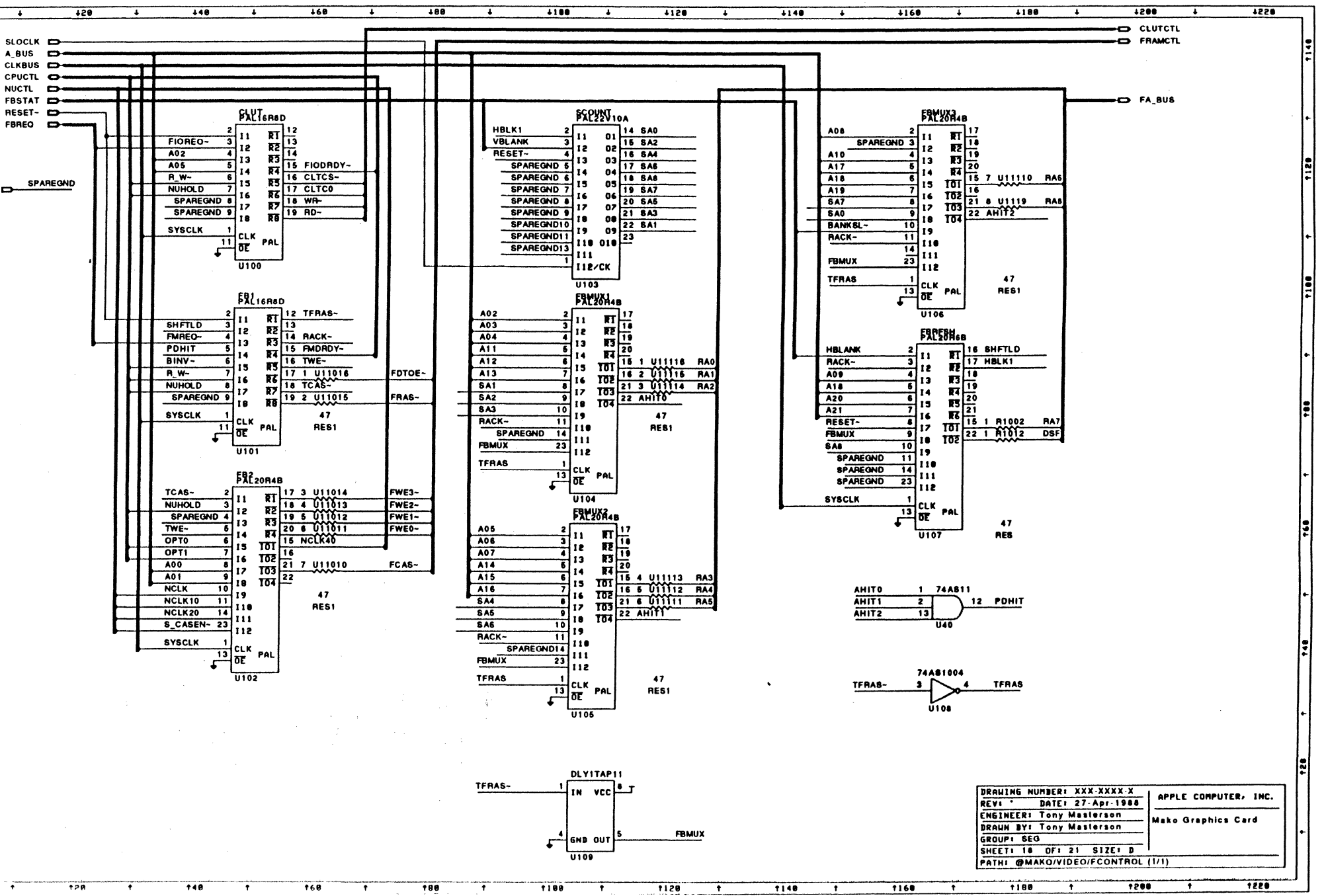
DRAWING NUMBER: XXX-XXXX-X	APPLE COMPUTER, INC.
REV: * DATE: 27-Apr-1988	Mako Graphics Card
ENGINEER: Tony Maslerson	
DRAWN BY: Tony Maslerson	
GROUP: SEG	
SHEET: 17 OF: 21 SIZE: D	
PATH: @MAKO/VIDEO (1/1)	

VIDEO/VIDEO_TIME



DRAWING NUMBER: XXX-XXXX-X		APPLE COMPUTER, INC. Make Graphics Card
REV: *	DATE: 27-Apr-1988	
ENGINEER: Tony Masterson		
DRAWN BY: Tony Masterson		
GROUP: SEG		
SHEET: 21 OF: 21 SIZE: D		
PATH: @MAKO/VIDEO/VID_TIME (1/1)		

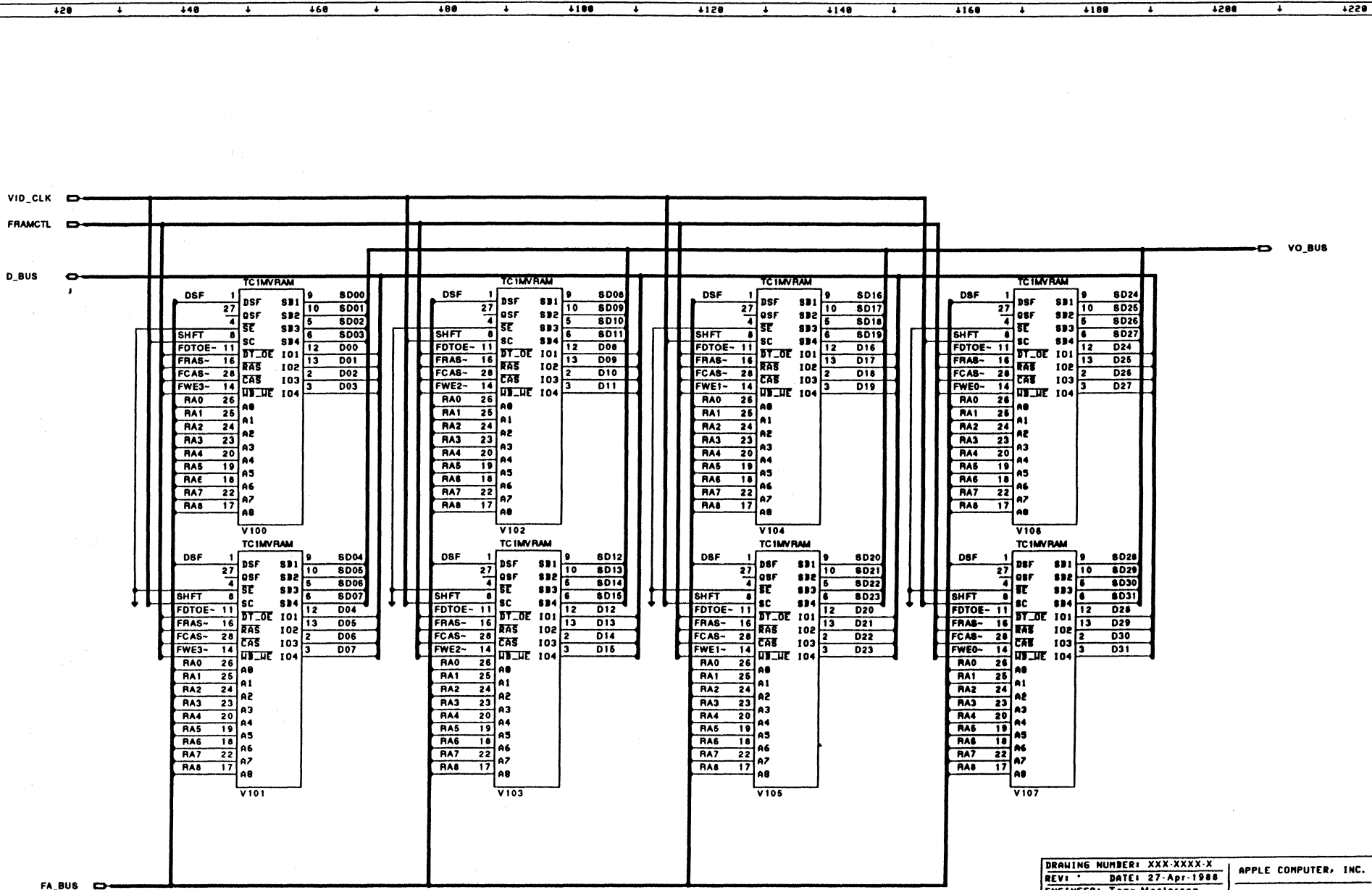
VIDEO - CONTROL



DRAWING NUMBER: XXX-XXXX-X
 REV: DATE: 27-Apr-1988
 ENGINEER: Tony Masterson
 DRAWN BY: Tony Masterson
 GROUP: SEG
 SHEET: 18 OF: 21 SIZE: D
 PATH: @MAKO/VIDEO/FCONTROL (1/1)

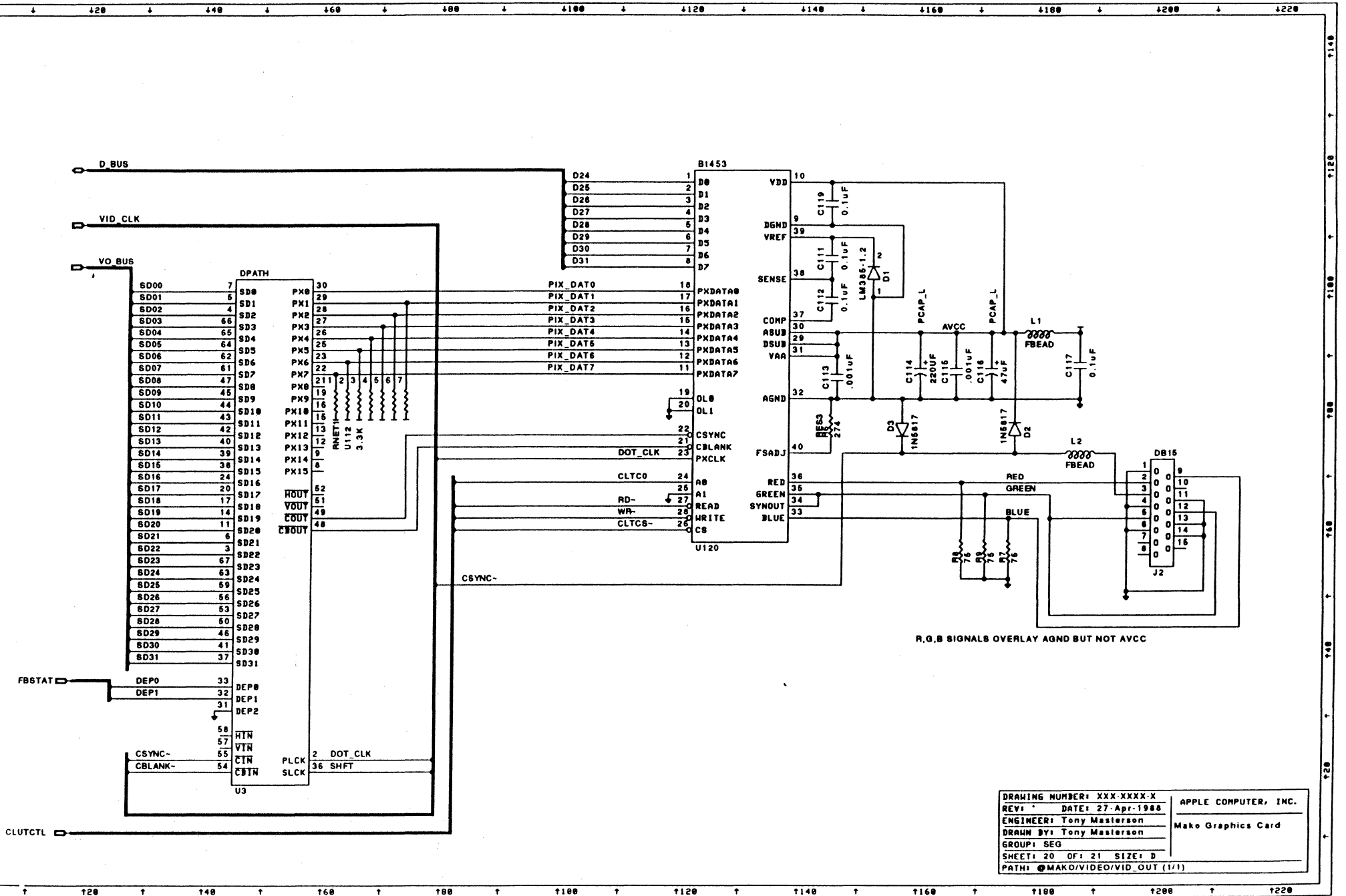
APPLE COMPUTER, INC.
 Mako Graphics Card

VIDEO/VID_MEM



DRAWING NUMBER: XXX-XXXX-X	APPLE COMPUTER, INC.
REV: DATE: 27-Apr-1988	Mako Graphics Card
ENGINEER: Tony Masterson	
DRAWN BY: Tony Masterson	
GROUP: SEG	
SHEET: 19 OF: 21 SIZE: D	
PATH: @MAKO/VIDEO/VID_MEM (1/1)	

VIDEO/VID_OUT



DRAWING NUMBER: XXX-XXXX-X
 REV: * DATE: 27-Apr-1988
 ENGINEER: Tony Masterson
 DRAWN BY: Tony Masterson
 GROUP: SEG
 SHEET: 20 OF: 21 SIZE: D
 PATH: @MAKO/VIDEO/VID_OUT (1/1)

APPLE COMPUTER, INC.
 Mako Graphics Card