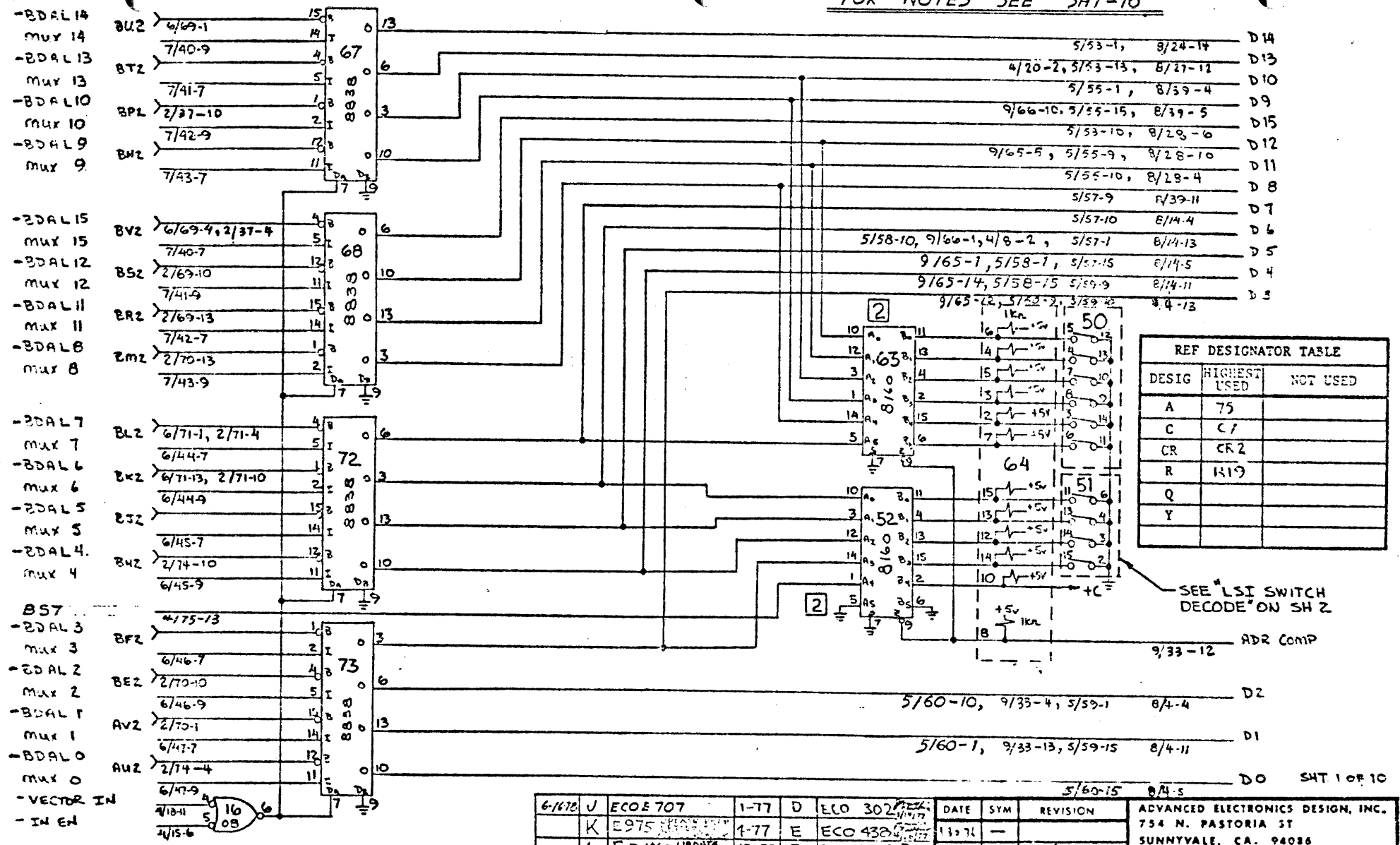


FOR NOTES SEE SH-10

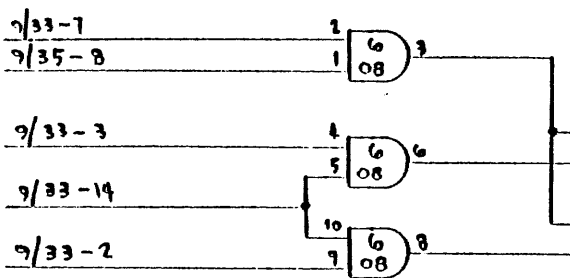


DESIG	HIGHEST USED	NOT USED
A	75	
C	C1	
CR	CR2	
R	R19	
Q		
Y		

SEE LSI SWITCH DECODE ON SH 2

DATE	SYM	REVISION	ADVANCED ELECTRONICS DESIGN, INC. 754 N. PASTORIA ST SUNNYVALE, CA. 94086
6-16-78	J	ECO E 707	TITLE LSI-11 (PDP-11/03) TO 3100/6200
	K	E 975	
	L	E 1060 UPDATE MANUAL	
1-77	D	ECO 302	DWG NO. 107178-01 DATE 3 30 78
4-77	E	ECO 438	
12-77	F	ECN N 235	
12-77	G	ECN N 249	

ADR 2
INPUT
- BIT 2
- BIT 1
BIT 2



DESIGNATION	RESISTOR
A	R15
B	R16
C	A64-11
D	R17

JUMPER	STATUS	FUNCTION
E1-E3	ENABLE	INTERRUPT DAS IPL
E2-E1 (E2-E3)	DISABLE	
E5-E6	ENABLE	PERFORMANCE IMPROV. DEVICE ADDRESS
E6-E1 (E5-E6)	DISABLE	

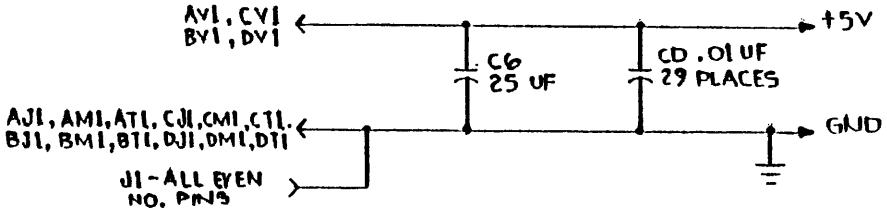
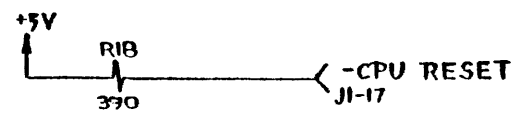
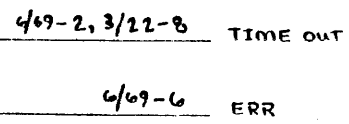
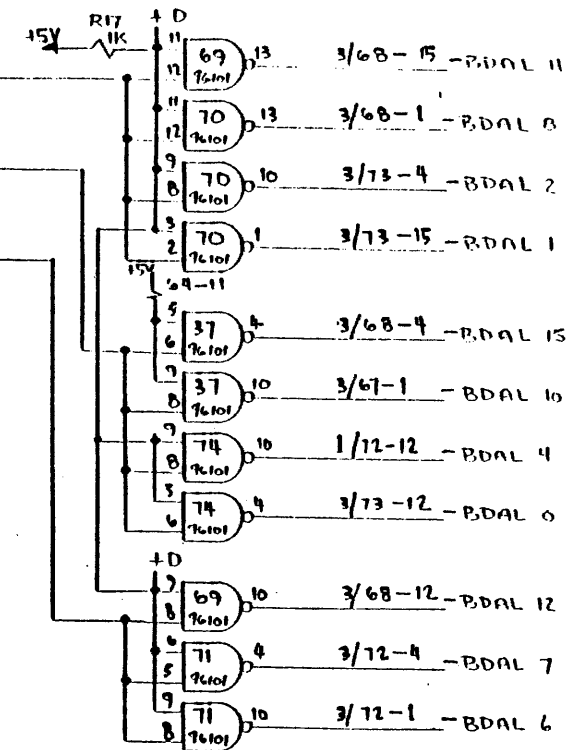
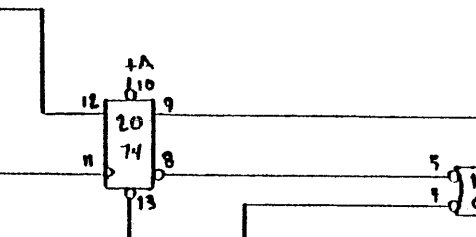
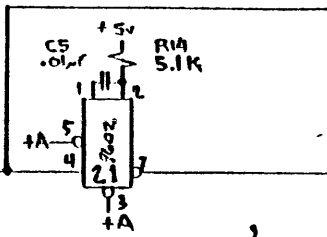
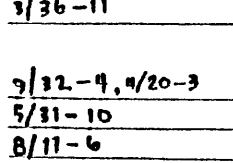
VECTOR BITS - 15, 14, 13, 12, 11
10, 9, 8, 1 AND 2 ARE "OFF"

INTERRUPT VECTORS MAY
BE MODIFIED BY CUTTING
TRACES & INSTALLING
JUMPER PER TABLE.

BIT	17	16	15	14	13	12	11	10	9	8	7	6	5	4	3
ALWAYS ON:	1	1	1	1	1										
AS0-5						X									
AS0-7							X								
AS0-8								X							
AS1-6									X						
AS1-7										X					
AS1-8											X				
AS1-9												X			
AS1-10													X		
AS1-11														X	
AS1-12															X

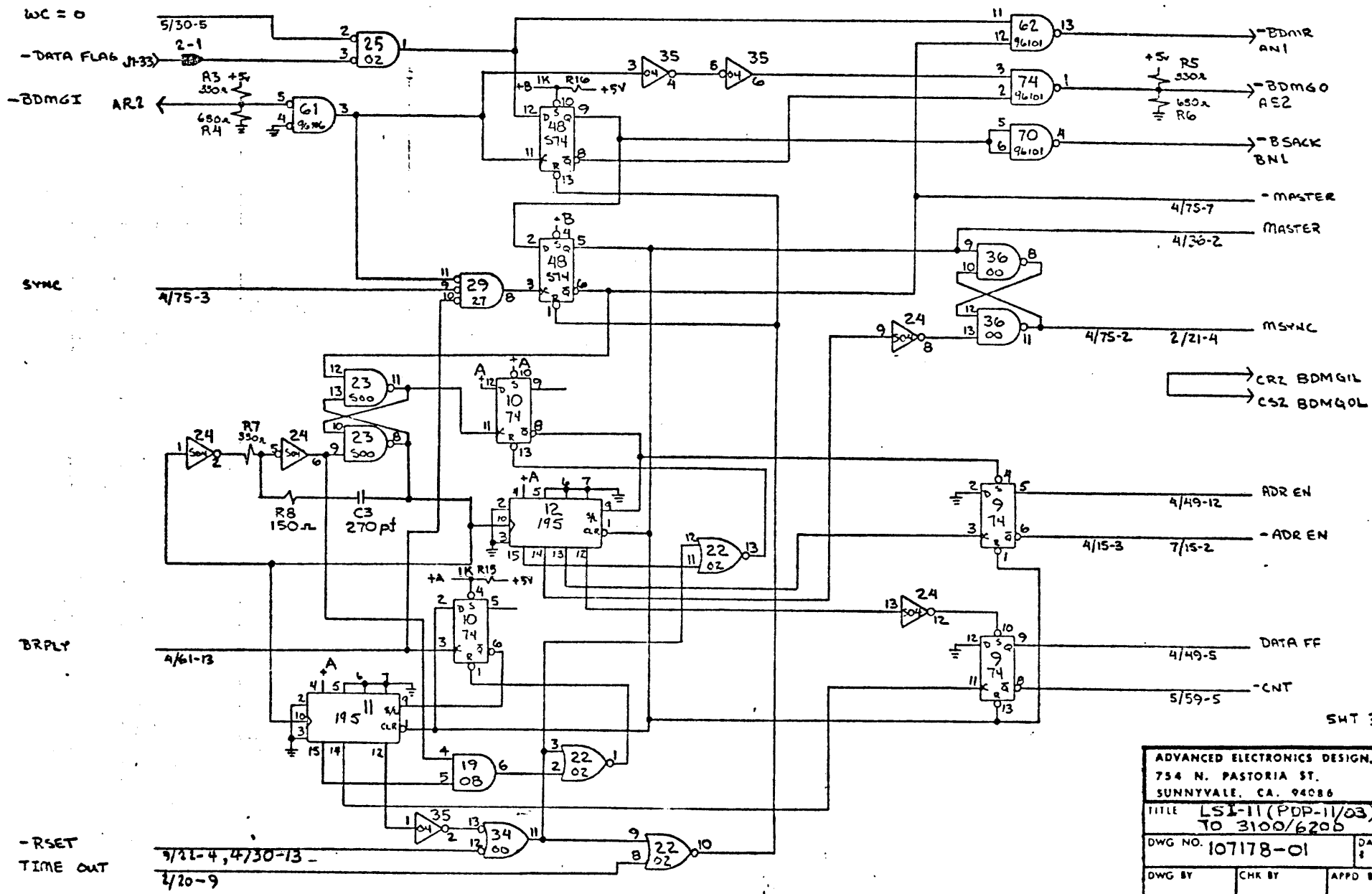
INTERRUPT VECTOR BIT	TO		STD. CONFIG INTERRUPT VECTOR: 170 _B
	FROM	ON / OFF	
7	E9	E6 / E10	OFF
6	E12	E13 / E11	ON
5	E15	E16 / E14	ON
4	E10	E19 / E17	ON
3	E21	E22 / E20	ON
2	E24	E23 / E25	OFF

M SYNC
- CMD EN
- RSET + IPL
- FD ERR



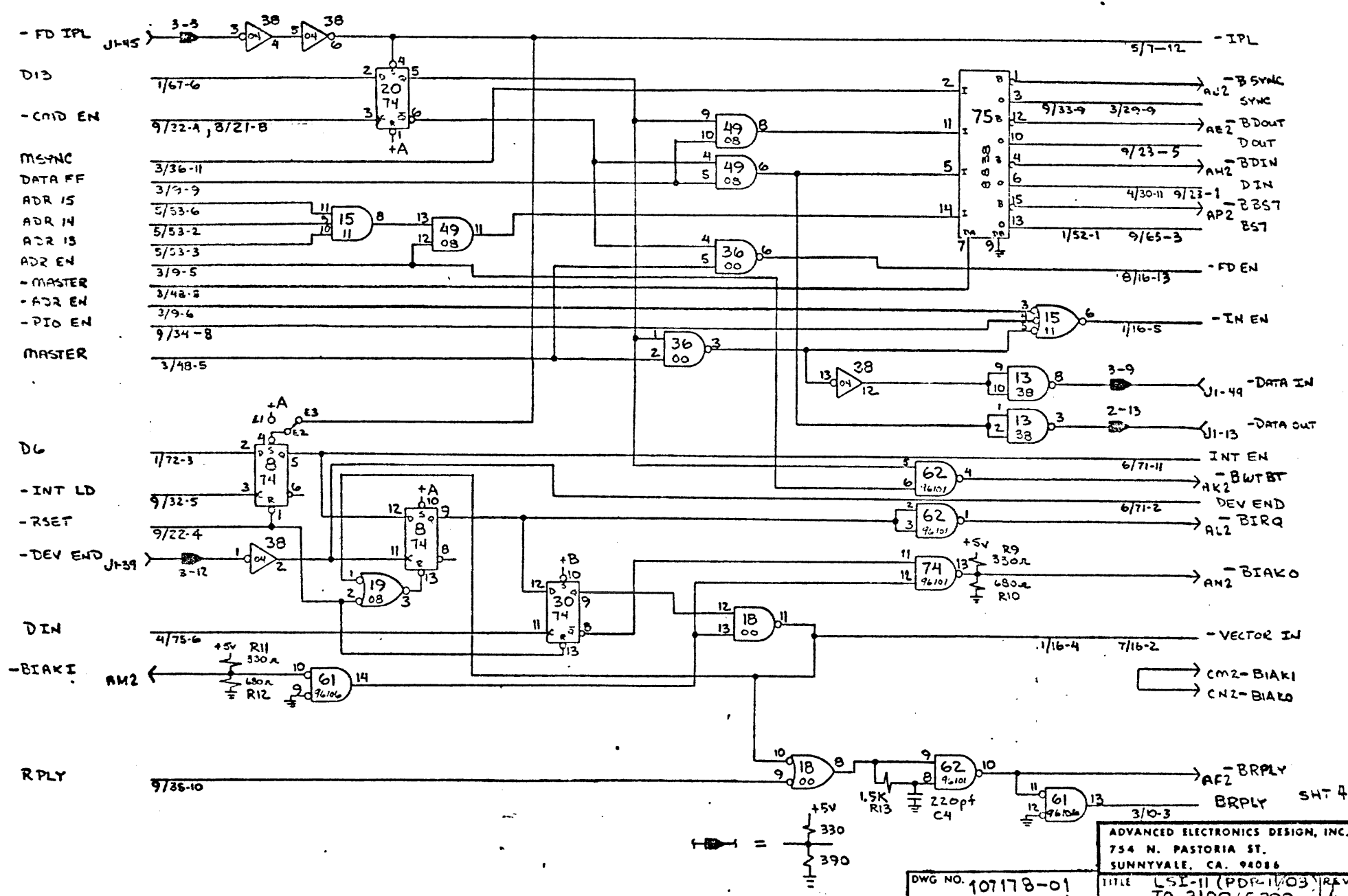
SHT 2

ADVANCED ELECTRONICS DESIGN, INC. 754 N. PASTORIA ST. SUNNYVALE, CA. 94086			
TITLE LSI-11(PDP-11/03) TO 3100/6200			
DWG NO. 10717B-01	DATE 5.10.76		
DWG BY	CHK BY	APPD BY	REV. L



SHT 3

ADVANCED ELECTRONICS DESIGN, INC.			
754 N. PASTORIA ST.			
SUNNYVALE, CA. 94086			
TITLE LSI-11 (PDP-11/03)			
TO 3100/6200			
DWG NO. 107178-01		DATE 8-1-76	
DWG BY	CHK BY	APPD BY	REV



ADVANCED ELECTRONICS DESIGN, INC.
 754 N. PASTORIA ST.
 SUNNYVALE, CA. 94086

DWG NO. 107178-01

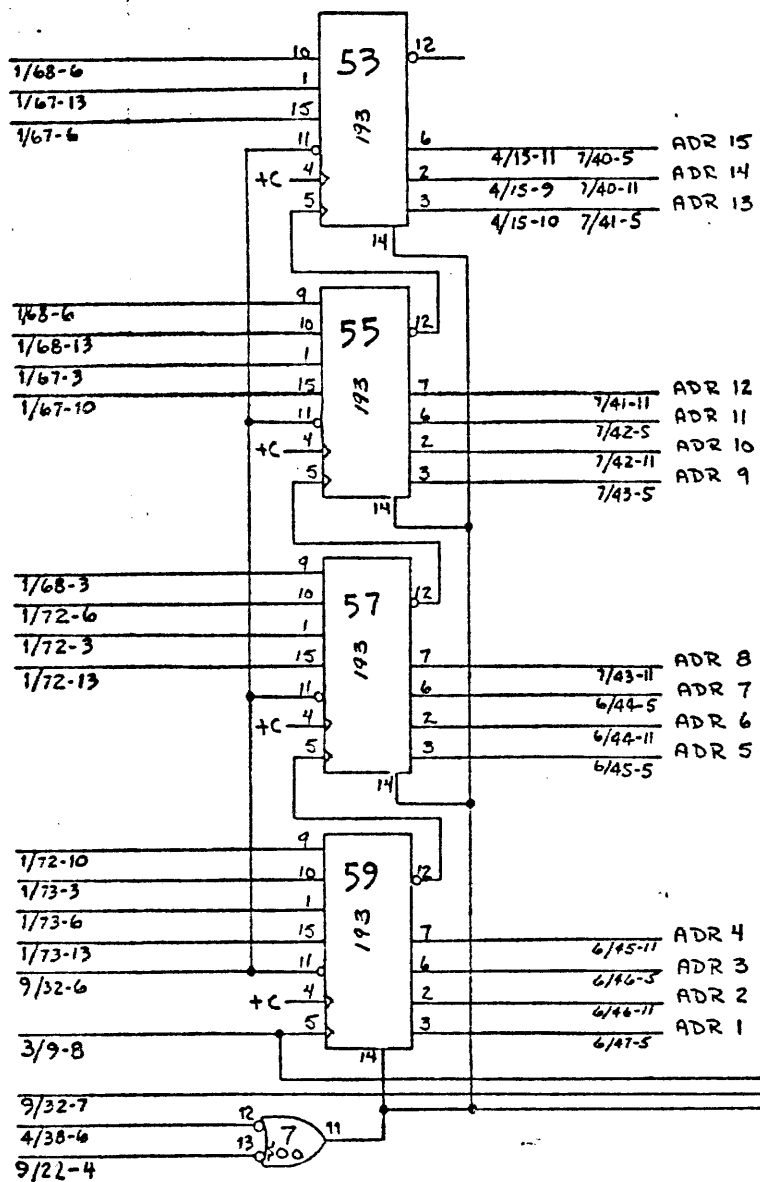
TITLE LSI-11 (PDP-11/03) REV. TO 3100/6200

SHT 4

D15
 D14
 D13

 D12
 D11
 D10
 D9

 D8
 D7
 D6
 D5
 D4
 D3
 D2
 D1
 - ADR LD
 - CNT
 - CNT LD
 - IPL
 - RSET

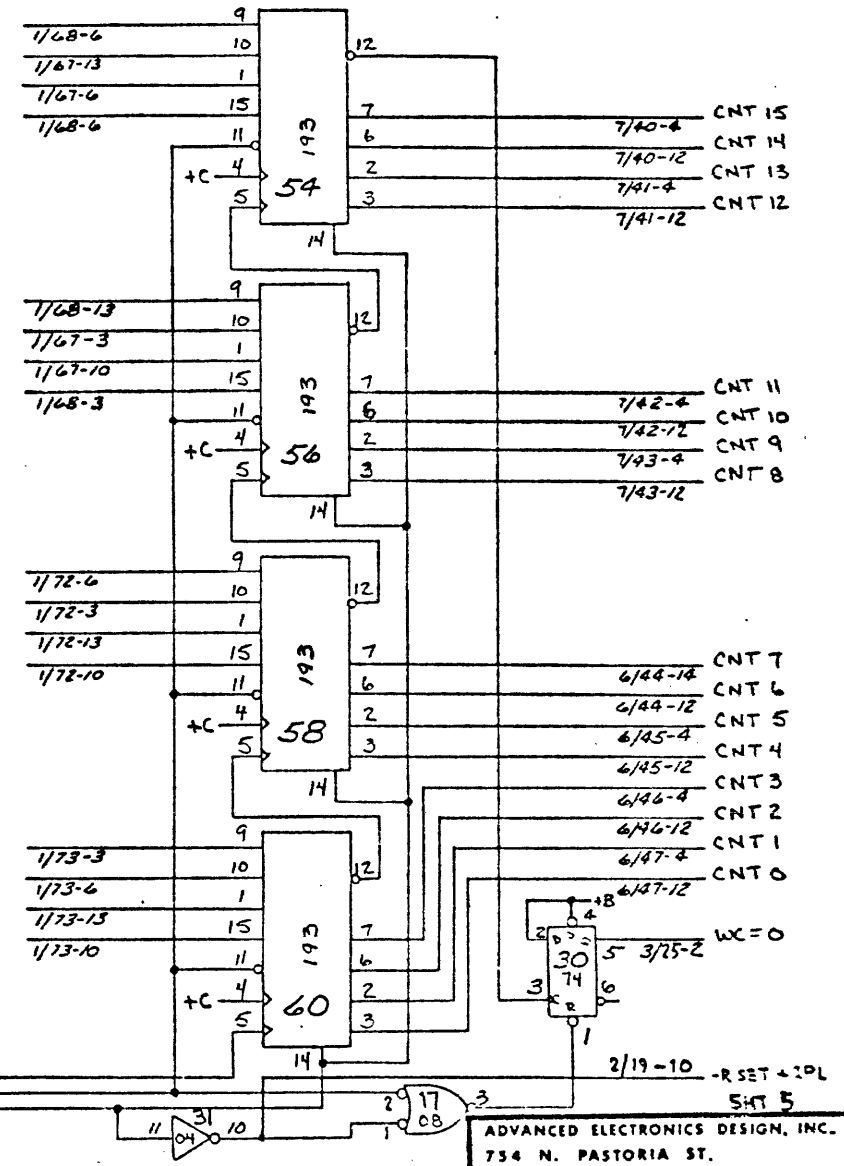


D15
 D14
 D13
 D12

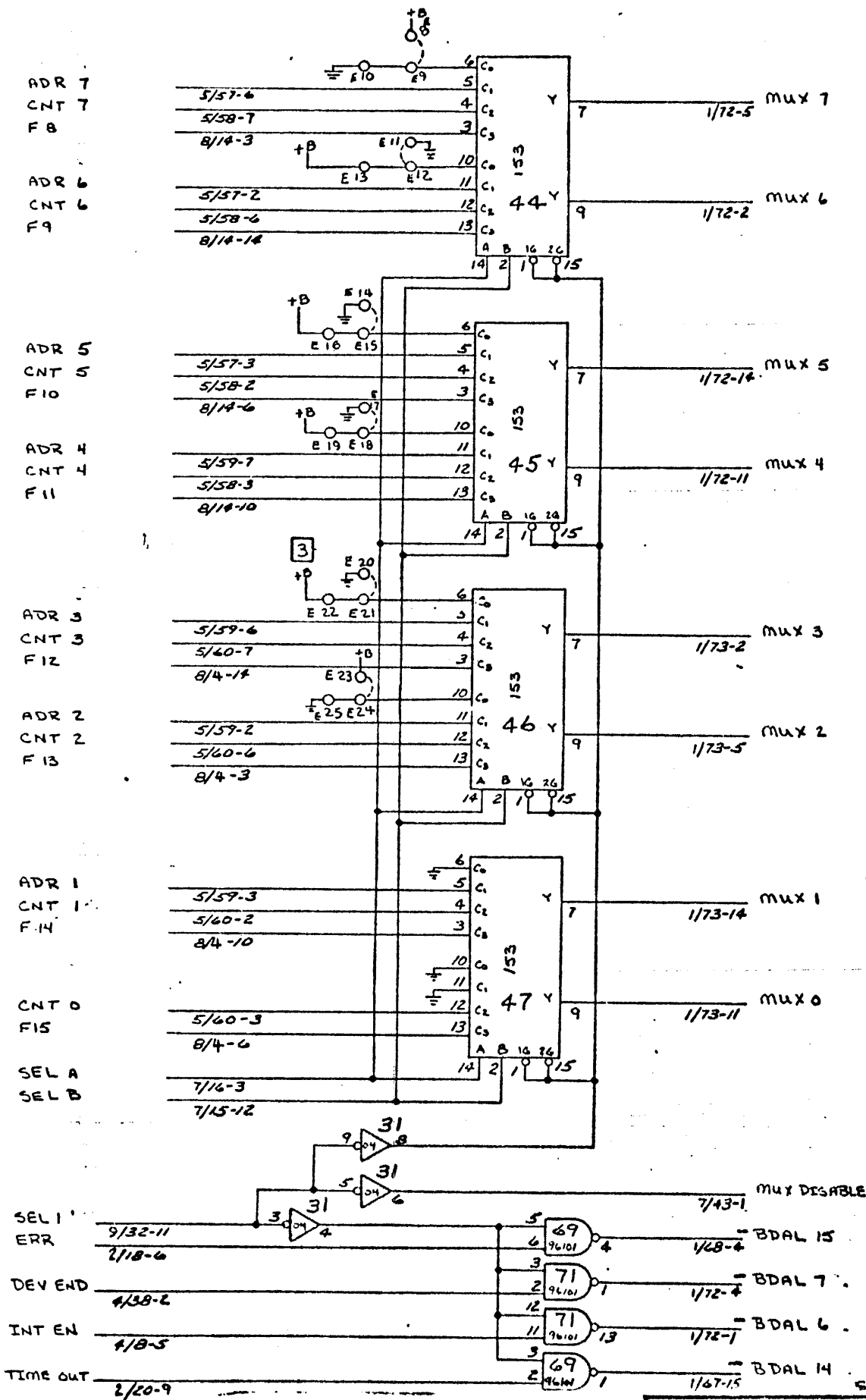
 D11
 D10
 D9
 D8

 D7
 D6
 D5
 D4

 D3
 D2
 D1
 D0

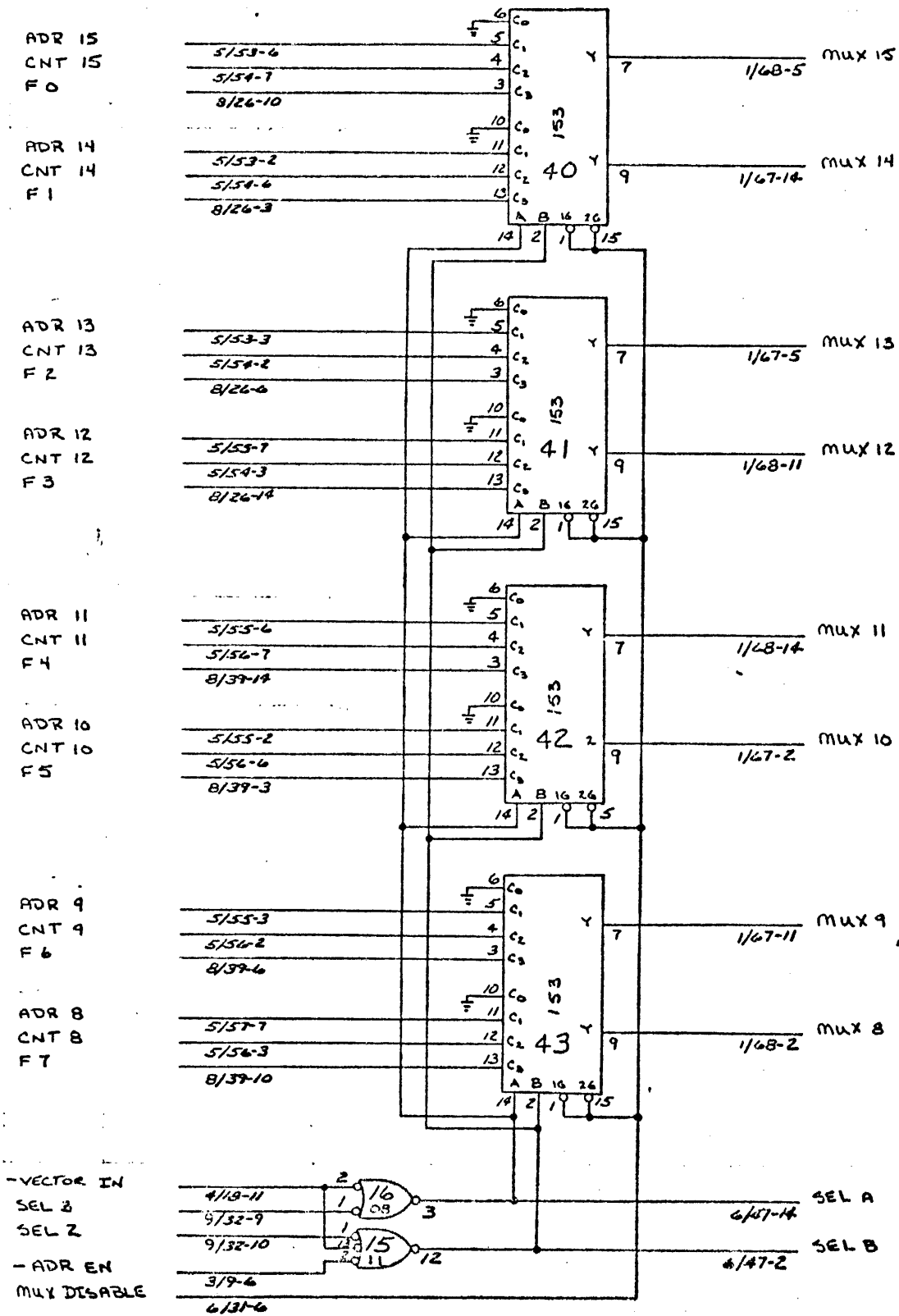


ADVANCED ELECTRONICS DESIGN, INC.
 754 N. PASTORIA ST.
 SUNNYVALE, CA. 94086
 TITLE LSI-11 (PDP-11/03) REV. L
 TO 3100/6200
 DWG NO. 107178-01 DATE 3 30 76
 SMT 5
 -RSET +2PL
 WC=0



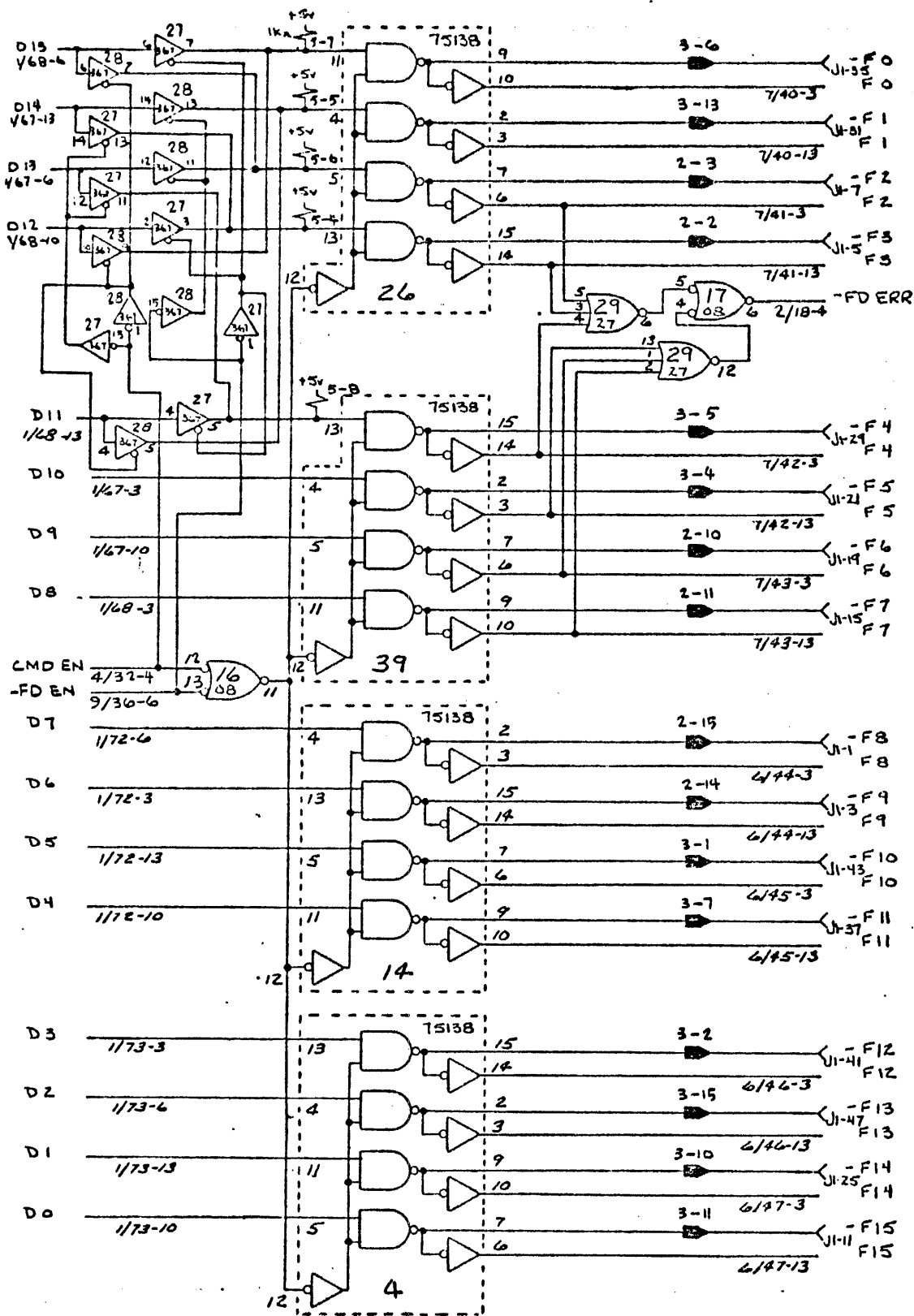
DWG NO. 107178-01

ADVANCED ELECTRONICS DESIGN, INC.
 754 N. PASTORIA ST.
 SUNNYVALE, CA. 94086
 TITLE L52-11 (REV. 11/03)
 TO 3100/6200
 REV. L



SMT 7

ADVANCED ELECTRONICS DESIGN, INC.			
754 N. PASTORIA ST.			
SUNNYVALE, CA. 94086			
TITLE		LSI-11 (PDP-11/53)	
		TO 3100/6200	
DWG NO.	107178-01	DATE	8/10/76
DWG BY	CHK BY	APPD BY	P.W.
			8



SMT 8

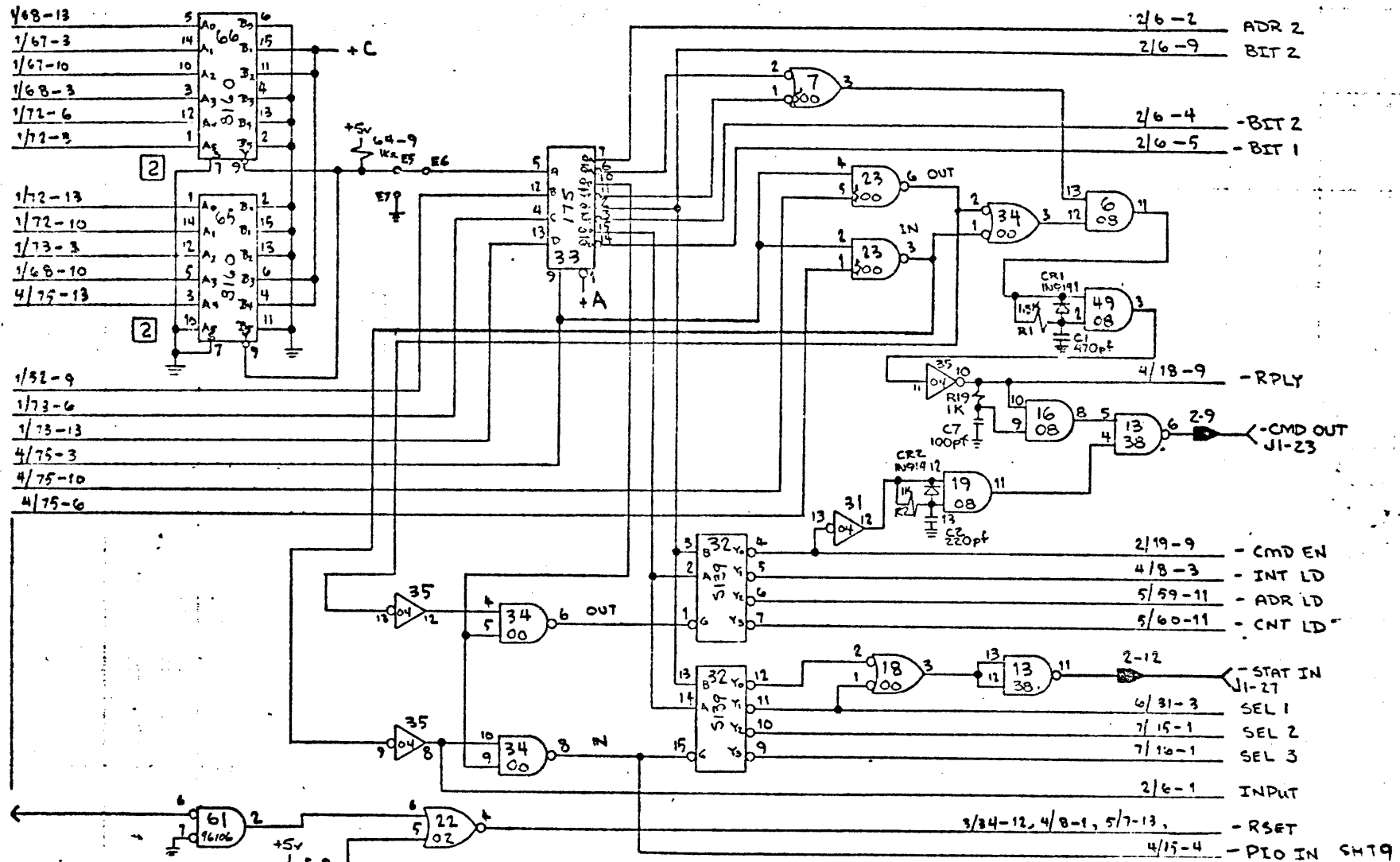
ADVANCED ELECTRONICS DESIGN, INC.			
734 N. PASTORIA ST.			
SUNNYVALE, CA. 94086			
TITLE		L81-11 (PDA 11/03)	
TO 3100/6200			
DWG NO.	107178-01	DATE	3 20 75
DWG BY	CHK BY	APPD BY	REV.
			L

D11
D10
D9
D8
D7
D6

D5
D4
D3
D12
BST

ADR COMP
DZ
D1
SYNC
D OUT
D IN

-BINIT
ATZ
-FD PWR OK
J1-9



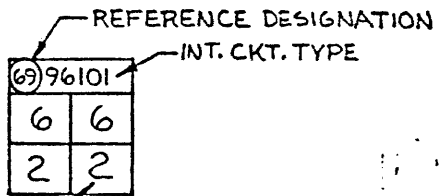
ADVANCED ELECTRONICS DESIGN, INC. 754 N. PASTORIA ST. SUNNYVALE, CA. 94086		
TITLE LSI-11 (PDR11/03) TO 3100/6200		
DWG NO. 107178-01	DATE 5-5-80	
DWG BY	CHK BY	APPD BY REV. L

NOTES:

- 1) KTS ARE IN ORDER OF OUTPUT PIN NO'S & ARE DEPICTED IN LEFT TO RIGHT & TOP TO BOTTOM ORDER.
- 2) 7160 CAN BE USED AS AN ACCEPTABLE ALTERNATE PART FOR 8160 IN LOCATION A52, 63, 65, & 66.

3) DEV. DEC 164400 OPEN A50-3.

2) 7438	3) 75138	4) 75138	5) RN102C	6) 7408	7) 74500	8) 7474	9) 7474	10) 7474	11) 74195	12) 74195
8 2 2 9 4 3	8 2 8 8 8	8 8 8 8 8	8 8 8 8	2 2 9	5 4 3	4 3	3	3	3	3
4 9	8	4	7 1	5 8	9 2	4 3	4	2	3	9 9
4 9	8	4	9 8	2 2	4 4	2 9	2		3 3	3 3
3	8	8 8	8 8	8	5	2 6	9	9	9 9	3 3
2	8	8 8	8 8	8	4	6 6	9	9	9 3	3 9
2	8	8 8	8 8	8	4	5 9	9	9	9 3	9 9
2 4 4	8	7	7	7	7	6	6	6	6	3 9 4
2 4	8	7	7	7	7	6	6	6	6	3 4 4
1	1	1	5	5	5	5	5	5	5	9 3 4 4
1	1	1	5	5	5	5	5	5	5	4 4 4 3
1 1 1 1 1	9	9	1	1	6 6	2 3	6 2	1	1	3 2
1 1 1 1 1	9	9	1	1	2 2	2 2	2 6	1	1	2 4



1) CKT IS LOCATED ON DESIGNATED SHT NO.

ADVANCED ELECTRONICS DESIGN, INC.		
754 N. PASTORIA STREET		
SUNNYVALE, CA. 94386		
TITLE LS I-11(PEP-11/03)		
TO 3100/6200		
DWG NO.	DATE	REV
107178-01	6/30/76	L