

**NOTICE**

COPYRIGHT 1987  
 WESTERN DIGITAL CORPORATION  
 UNPUBLISHED - ALL RIGHTS RESERVED.

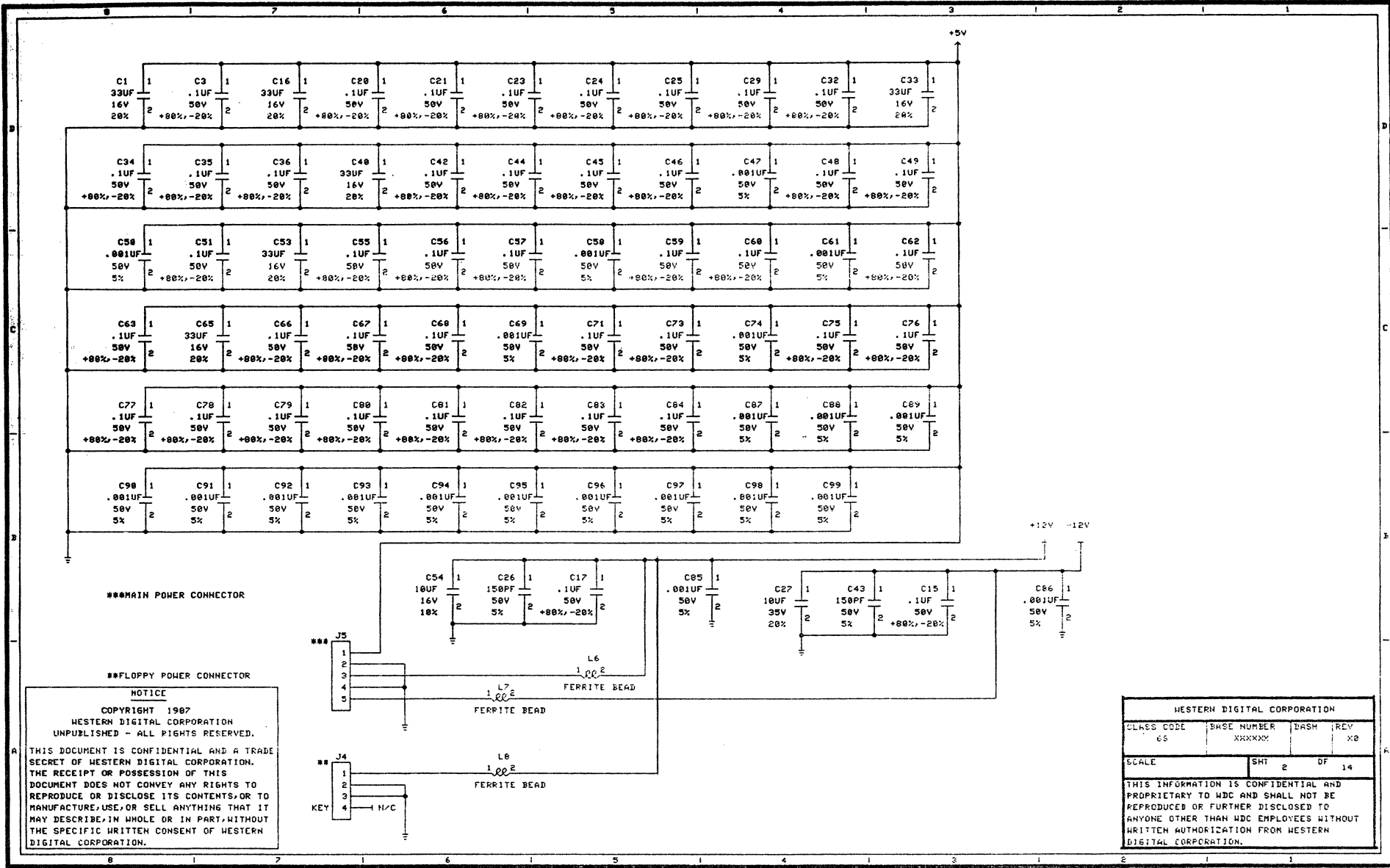
THIS DOCUMENT IS CONFIDENTIAL AND A TRADE SECRET OF WESTERN DIGITAL CORPORATION. THE RECEIPT OR POSSESSION OF THIS DOCUMENT DOES NOT CONVEY ANY RIGHTS TO REPRODUCE OR DISCLOSE ITS CONTENTS, OR TO MANUFACTURE, USE, OR SELL ANYTHING THAT IT MAY DESCRIBE, IN WHOLE OR IN PART, WITHOUT THE SPECIFIC WRITTEN CONSENT OF WESTERN DIGITAL CORPORATION.

REFERENCE DESIGNATORS				INITIAL RELEASE			
LAST USED	HOT USED	LAST USED	HOT USED	REV.	ECO.	DESCRIPTION	DATE
							4-4-88

SIGNATURE	DATE	WESTERN DIGITAL CORPORATION	
TITLE	WD88-PCN		
CLASS CODE	PAGE NUMBER	DASH	REV.
68	XXXXXX		X0
DO NOT SCALE DWG	MFG APPR	SCALE	SHT 1 OF 14
THIS INFORMATION IS CONFIDENTIAL AND PROPRIETARY TO WDC AND SHALL NOT BE REPRODUCED OR FURTHER DISCLOSED TO ANYONE OTHER THAN WDC EMPLOYEES WITHOUT WRITTEN AUTHORIZATION FROM WESTERN DIGITAL CORPORATION.			

95 APR 88 11:53 AM TPC:K1:V002:W08:WD88-PCN-X0 1:01:01



\*\*\*MAIN POWER CONNECTOR

\*\*FLOPPY POWER CONNECTOR

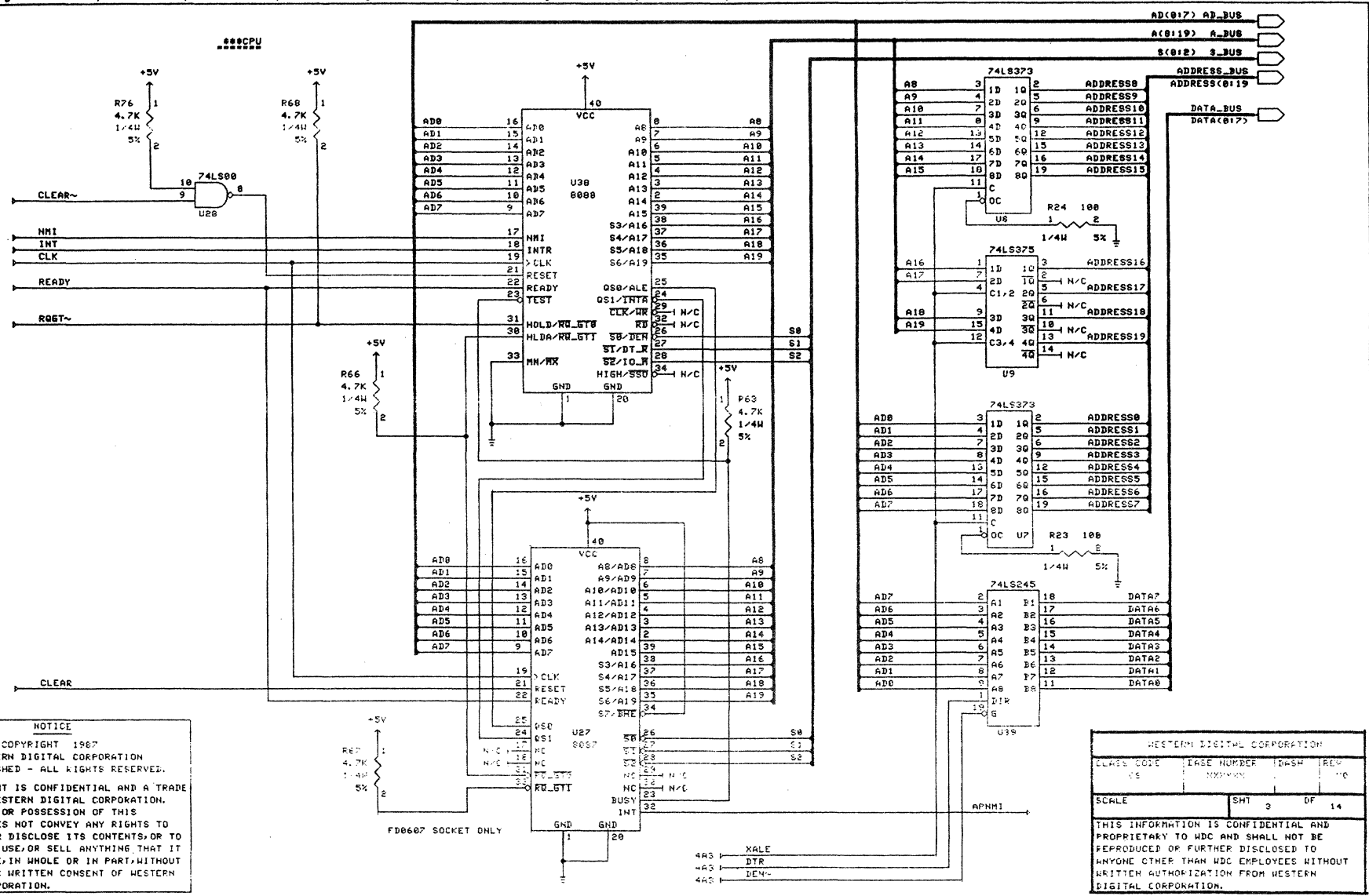
NOTICE

COPYRIGHT 1987  
 WESTERN DIGITAL CORPORATION  
 UNPUBLISHED - ALL RIGHTS RESERVED.

THIS DOCUMENT IS CONFIDENTIAL AND A TRADE SECRET OF WESTERN DIGITAL CORPORATION. THE RECEIPT OR POSSESSION OF THIS DOCUMENT DOES NOT CONVEY ANY RIGHTS TO REPRODUCE OR DISCLOSE ITS CONTENTS, OR TO MANUFACTURE, USE, OR SELL ANYTHING THAT IT MAY DESCRIBE, IN WHOLE OR IN PART, WITHOUT THE SPECIFIC WRITTEN CONSENT OF WESTERN DIGITAL CORPORATION.

WESTERN DIGITAL CORPORATION			
CLASS CODE 6S	BASE NUMBER XXXXXX	DASH	REV X8
SCALE	SHT 2	DF	14
THIS INFORMATION IS CONFIDENTIAL AND PROPRIETARY TO WDC AND SHALL NOT BE REPRODUCED OR FURTHER DISCLOSED TO ANYONE OTHER THAN WDC EMPLOYEES WITHOUT WRITTEN AUTHORIZATION FROM WESTERN DIGITAL CORPORATION.			

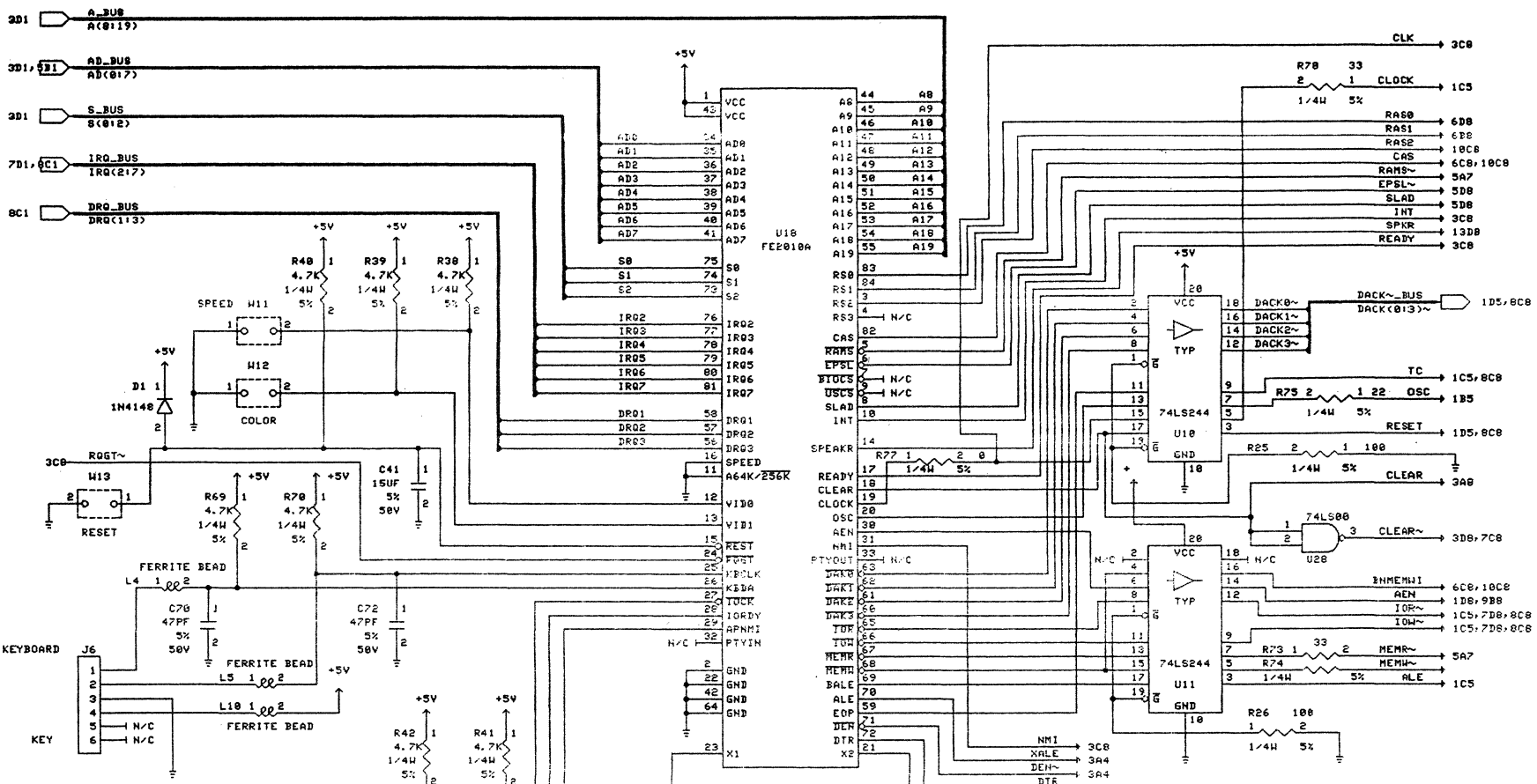
SC 44P 88 181539 THE 11/11/87 USER: TENDONK240RZ4088PCF.X8 2: 0F81



**NOTICE**  
 COPYRIGHT 1987  
 WESTERN DIGITAL CORPORATION  
 UNPUBLISHED - ALL RIGHTS RESERVED.  
 THIS DOCUMENT IS CONFIDENTIAL AND A TRADE SECRET OF WESTERN DIGITAL CORPORATION. THE RECEIPT OR POSSESSION OF THIS DOCUMENT DOES NOT CONVEY ANY RIGHTS TO REPRODUCE OR DISCLOSE ITS CONTENTS, OR TO MANUFACTURE, USE, OR SELL ANYTHING THAT IT MAY DESCRIBE, IN WHOLE OR IN PART, WITHOUT THE SPECIFIC WRITTEN CONSENT OF WESTERN DIGITAL CORPORATION.

WESTERN DIGITAL CORPORATION			
CLASS. CODE	ISS. NUMBER	DASH	REV.
15	1000000		110
SCALE		SHT 3	OF 14
THIS INFORMATION IS CONFIDENTIAL AND PROPRIETARY TO WDC AND SHALL NOT BE REPRODUCED OR FURTHER DISCLOSED TO ANYONE OTHER THAN WDC EMPLOYEES WITHOUT WRITTEN AUTHORIZATION FROM WESTERN DIGITAL CORPORATION.			

443 XALE  
 443 DTR  
 443 DEV-

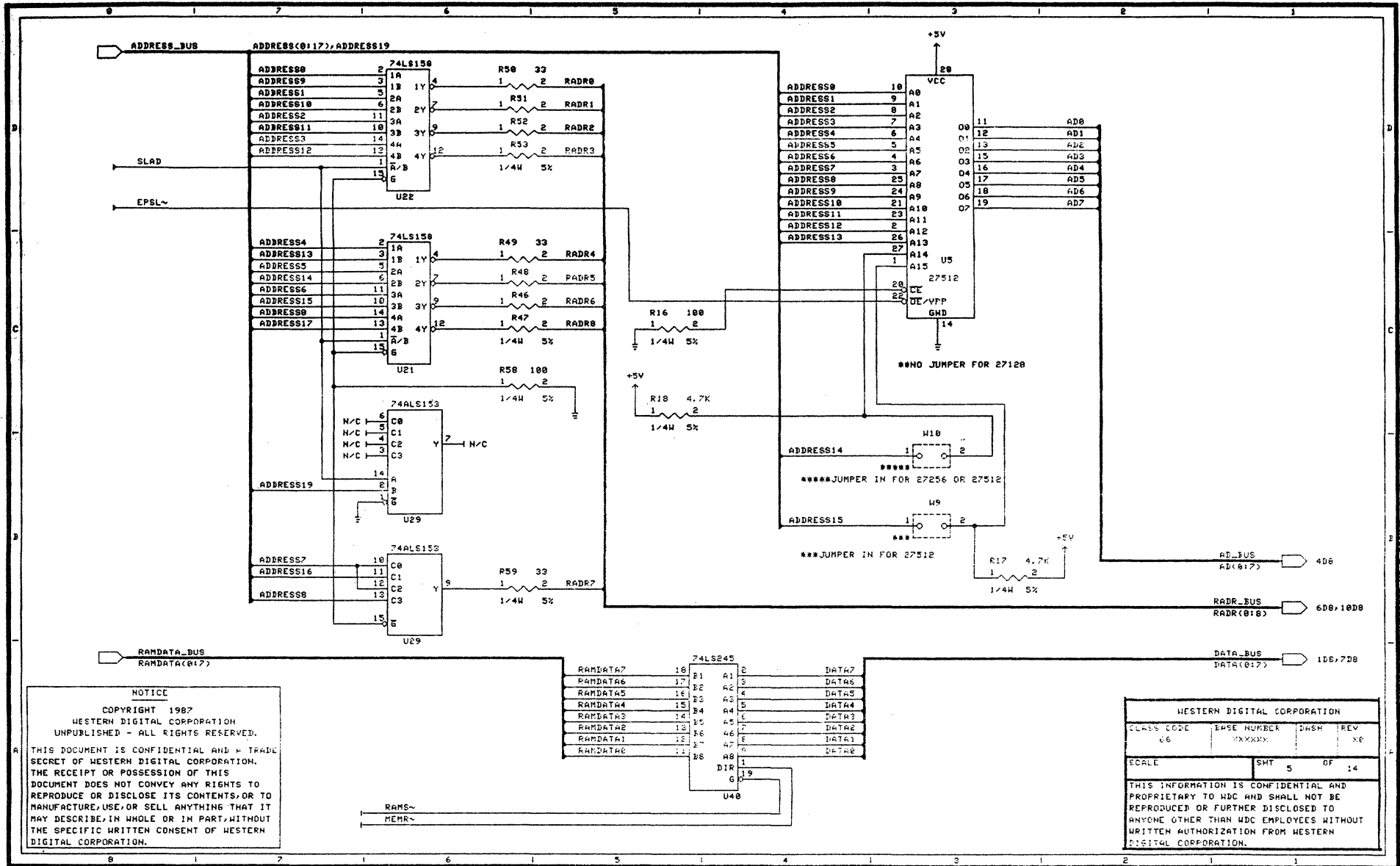


NOTICE  
 COPYRIGHT 1987  
 WESTERN DIGITAL CORPORATION  
 UNPUBLISHED - ALL RIGHTS RESERVED.

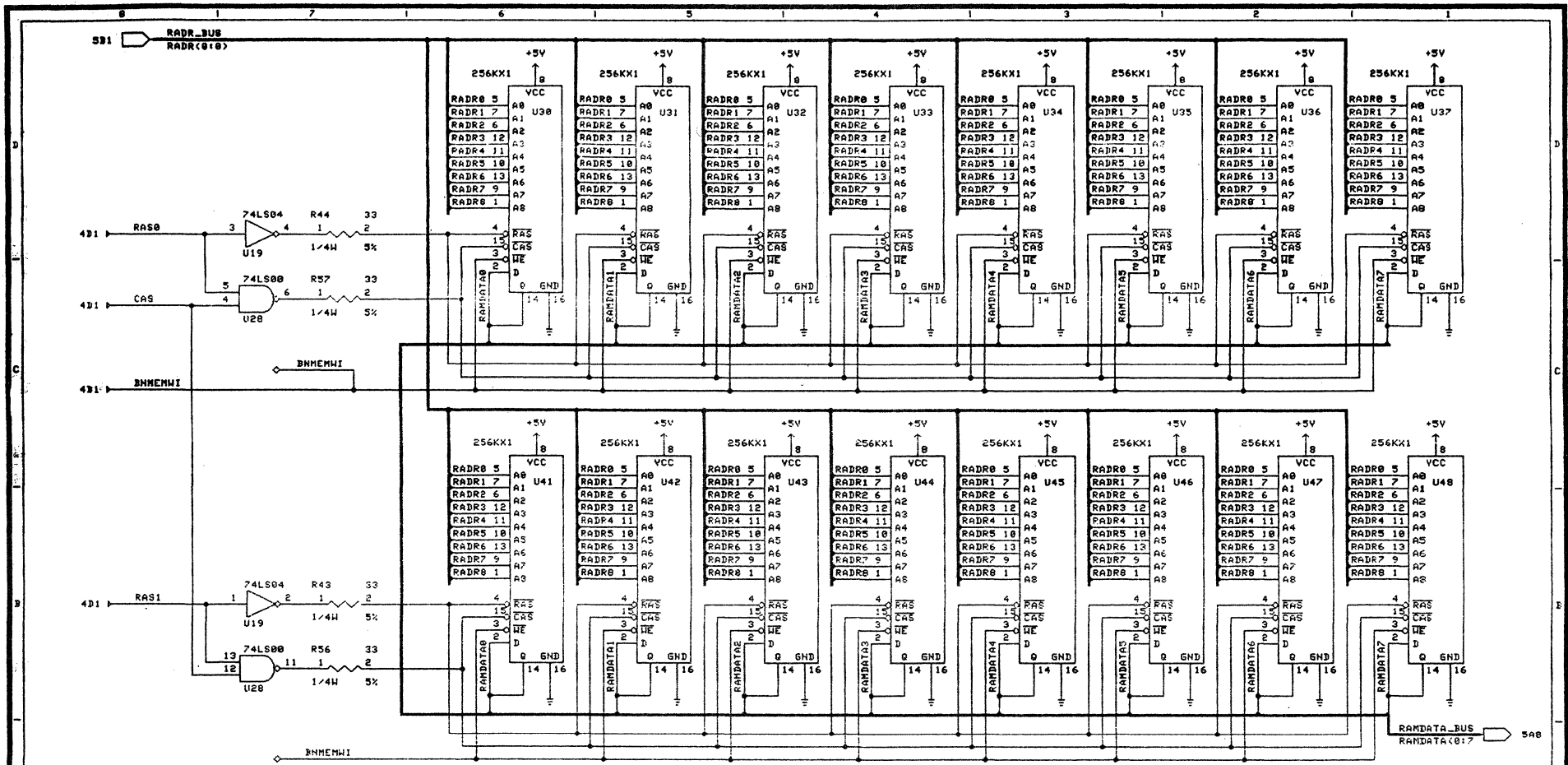
THIS DOCUMENT IS CONFIDENTIAL AND A TRADE SECRET OF WESTERN DIGITAL CORPORATION. THE RECEIPT OR POSSESSION OF THIS DOCUMENT DOES NOT CONVEY ANY RIGHTS TO REPRODUCE OR DISCLOSE ITS CONTENTS, OR TO MANUFACTURE, USE, OR SELL ANYTHING THAT IT MAY DESCRIBE, IN WHOLE OR IN PART, WITHOUT THE SPECIFIC WRITTEN CONSENT OF WESTERN DIGITAL CORPORATION.

WESTERN DIGITAL CORPORATION			
CLASS CODE	BASE NUMBER	DASH	REV
88	XXXXXX		X0
SCALE		SHT	DF 14
THIS INFORMATION IS CONFIDENTIAL AND PROPRIETARY TO WDC AND SHALL NOT BE REPRODUCED OR FURTHER DISCLOSED TO ANYONE OTHER THAN WDC EMPLOYEES WITHOUT WRITTEN AUTHORIZATION FROM WESTERN DIGITAL CORPORATION.			

88-11181-1 (REV. 11/81) WDC/100-USE/KEY/ENDORZ/HORR/PACK-X0-4, 100-111



15 00K BR 11103-71E C-100 USEP-VENDOR2100RZ1008PCH.XB S-1000

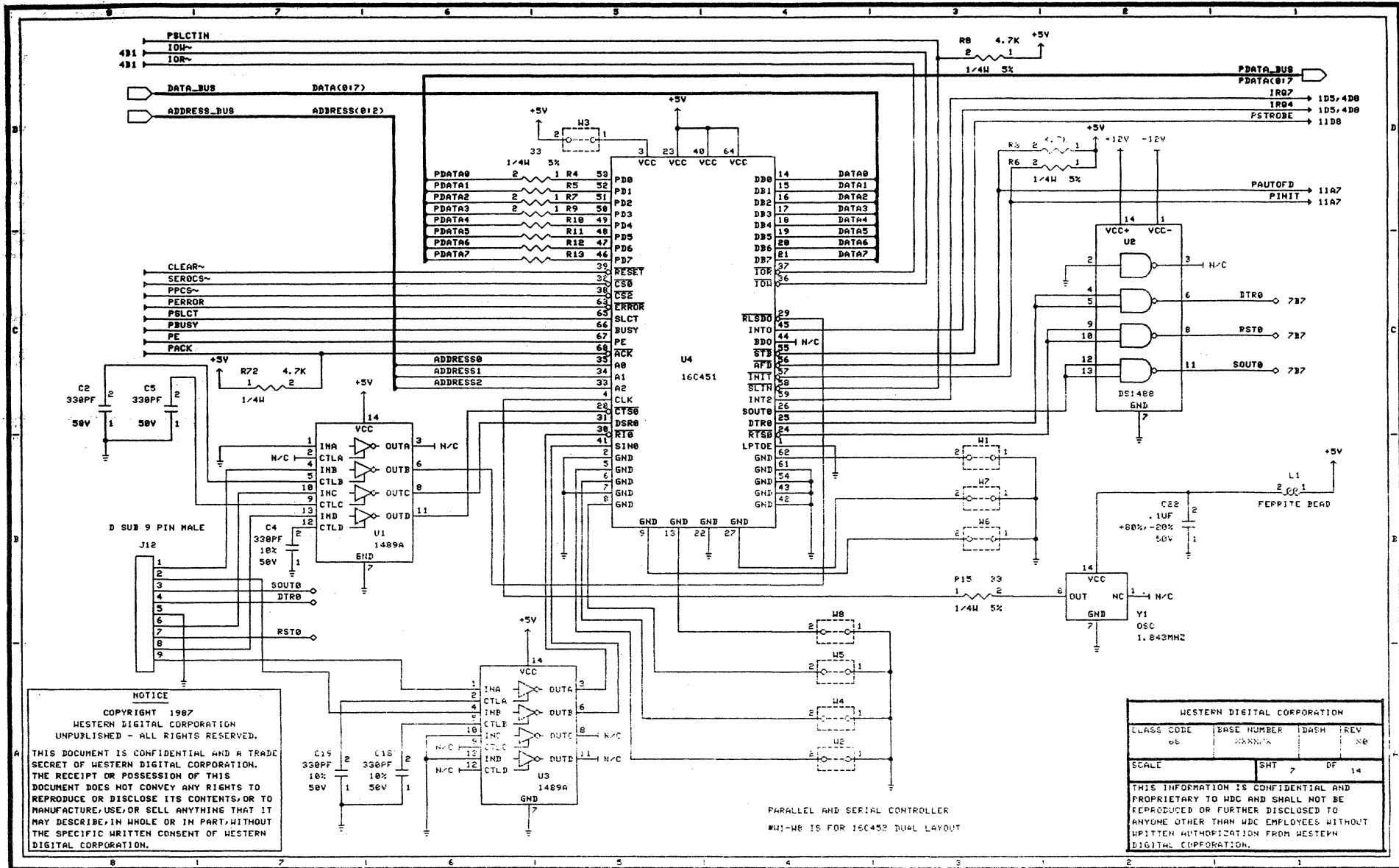


**NOTICE**  
 COPYRIGHT 1987  
 WESTERN DIGITAL CORPORATION  
 UNPUBLISHED - ALL RIGHTS RESERVED.  
 THIS DOCUMENT IS CONFIDENTIAL AND A TRADE SECRET OF WESTERN DIGITAL CORPORATION. THE RECEIPT OR POSSESSION OF THIS DOCUMENT DOES NOT CONVEY ANY RIGHTS TO REPRODUCE OR DISCLOSE ITS CONTENTS, OR TO MANUFACTURE, USE, OR SELL ANYTHING THAT IT MAY DESCRIBE, IN WHOLE OR IN PART, WITHOUT THE SPECIFIC WRITTEN CONSENT OF WESTERN DIGITAL CORPORATION.

RAM MEMORY BANK 0 & 1  
 \*\*\*REFERENCE DESIGNATORS U41, U42, U43, U44, U45, U46, U47, U48, ARE FOR SOCKET ONLY

WESTERN DIGITAL CORPORATION			
CLASS CODE	BASE NUMBER	DASH	REV
68	XXXXXX		X8
SCALE	NONE	SHT 6	DF 14
THIS INFORMATION IS CONFIDENTIAL AND PROPRIETARY TO WDC AND SHALL NOT BE REPRODUCED OR FURTHER DISCLOSED TO ANYONE OTHER THAN WDC EMPLOYEES WITHOUT WRITTEN AUTHORIZATION FROM WESTERN DIGITAL CORPORATION.			

591 RAS0 CAS BNMEMI RAMDATA0:7 5A8

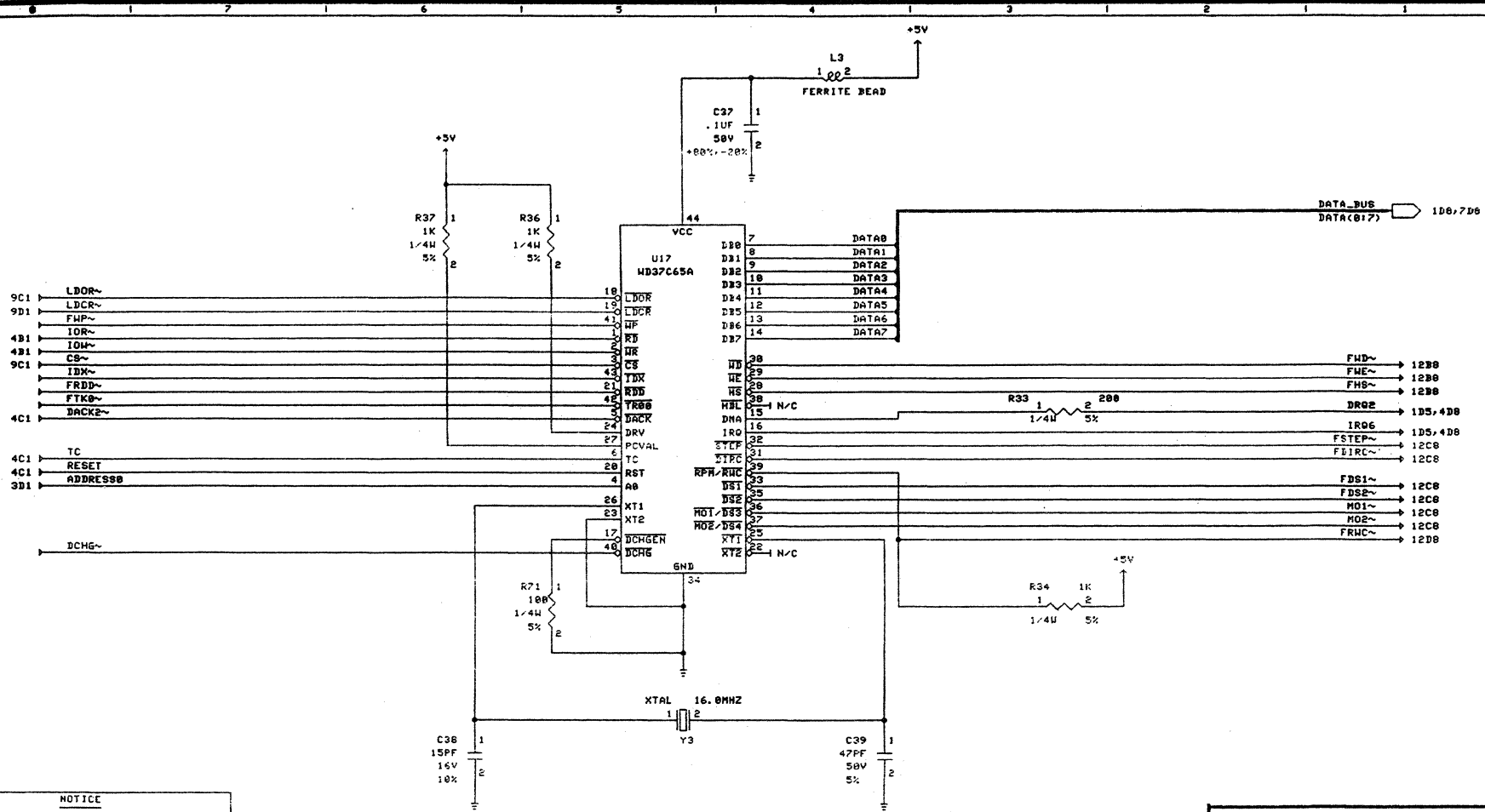


**NOTICE**  
 COPYRIGHT 1987  
 WESTERN DIGITAL CORPORATION  
 UNPUBLISHED - ALL RIGHTS RESERVED.  
 THIS DOCUMENT IS CONFIDENTIAL AND A TRADE  
 SECRET OF WESTERN DIGITAL CORPORATION.  
 THE RECEIPT OR POSSESSION OF THIS  
 DOCUMENT DOES NOT CONVEY ANY RIGHTS TO  
 REPRODUCE OR DISCLOSE ITS CONTENTS, OR TO  
 MANUFACTURE, USE, OR SELL ANYTHING THAT IT  
 MAY DESCRIBE, IN WHOLE OR IN PART, WITHOUT  
 THE SPECIFIC WRITTEN CONSENT OF WESTERN  
 DIGITAL CORPORATION.

PARALLEL AND SERIAL CONTROLLER  
 #U1-U8 IS FOR 16C452 DUAL LAYOUT

WESTERN DIGITAL CORPORATION			
CLASS CODE	BASE NUMBER	DASH	REV
68	XXXXXX		X8
SCALE	SHT	DF	14
THIS INFORMATION IS CONFIDENTIAL AND PROPRIETARY TO WDC AND SHALL NOT BE REPRODUCED OR FURTHER DISCLOSED TO ANYONE OTHER THAN WDC EMPLOYEES WITHOUT WRITTEN AUTHORIZATION FROM WESTERN DIGITAL CORPORATION.			

5 APR 88 11:05 AM C:\MSDOS\SYSTEM\IBPCHEX\IBPCHEX.P07.DRAW



DATA\_BUS  
DATA(8:17) → 106,7D6

FWD~ → 12B8  
FME~ → 12B8  
FMS~ → 12B8

DRQE → 1D5,4D8  
IR06 → 1D5,4D8  
FSTEP~ → 12C8  
FEIRC~ → 12C8

FDS1~ → 12C8  
FDS2~ → 12C8  
MD1~ → 12C8  
MD2~ → 12C8  
FRMC~ → 12D8

\*\*\* FLOPPY CONTROLLER \*\*\*

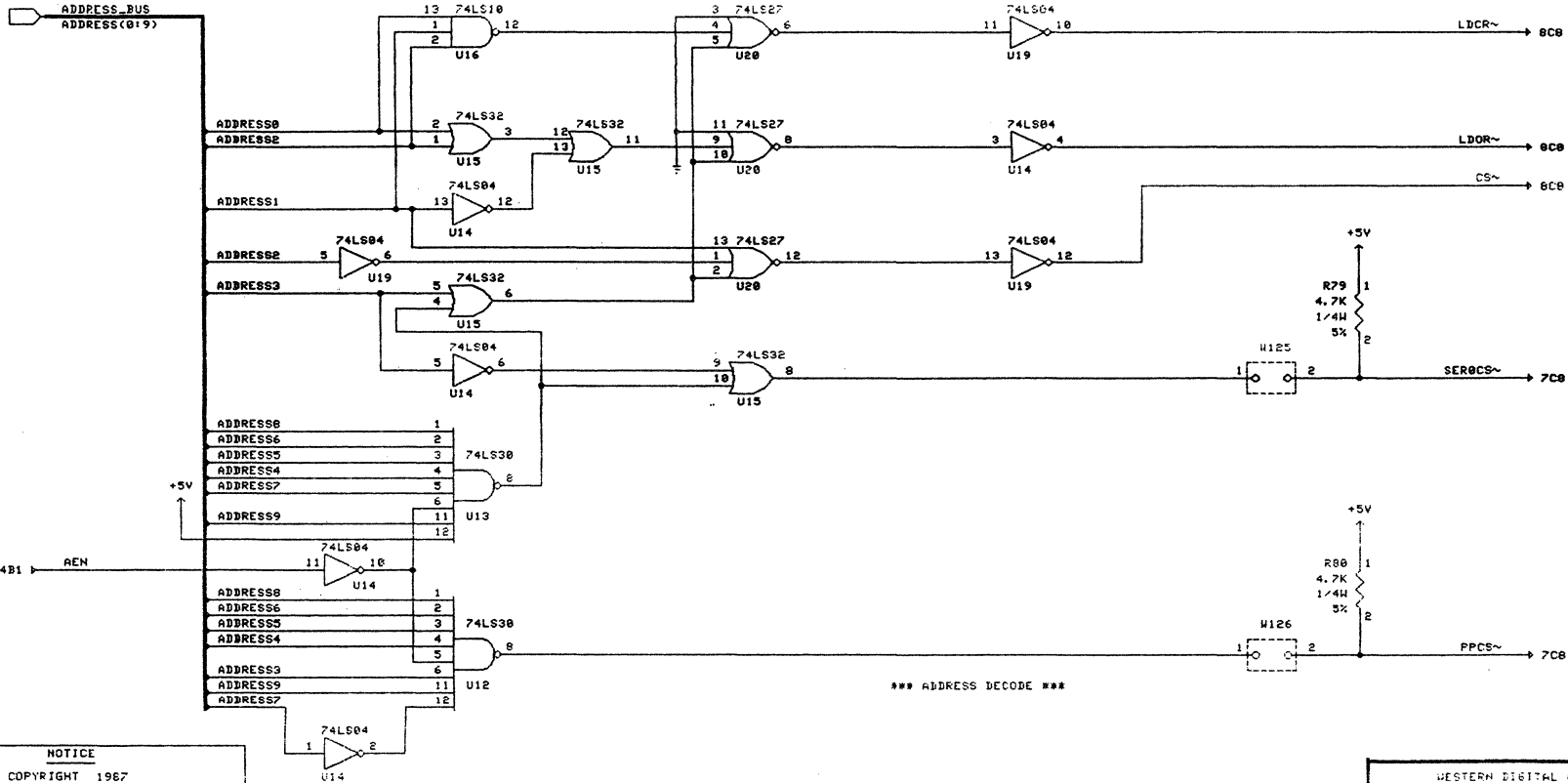
**NOTICE**  
 COPYRIGHT 1987  
 WESTERN DIGITAL CORPORATION  
 UNPUBLISHED - ALL RIGHTS RESERVED.  
 THIS DOCUMENT IS CONFIDENTIAL AND A TRADE  
 SECRET OF WESTERN DIGITAL CORPORATION.  
 THE RECEIPT OR POSSESSION OF THIS  
 DOCUMENT DOES NOT CONVEY ANY RIGHTS TO  
 REPRODUCE OR DISCLOSE ITS CONTENTS, OR TO  
 MANUFACTURE, USE, OR SELL ANYTHING THAT IT  
 MAY DESCRIBE, IN WHOLE OR IN PART, WITHOUT  
 THE SPECIFIC WRITTEN CONSENT OF WESTERN  
 DIGITAL CORPORATION.

WESTERN DIGITAL CORPORATION			
CLASS CODE 65	BASE NUMBER XXXXXX	DASH	REV Y8
SCALE		SHT 8	OF 14
THIS INFORMATION IS CONFIDENTIAL AND PROPRIETARY TO WDC AND SHALL NOT BE REPRODUCED OR FURTHER DISCLOSED TO ANYONE OTHER THAN WDC EMPLOYEES WITHOUT WRITTEN AUTHORIZATION FROM WESTERN DIGITAL CORPORATION.			

15 APR 88 11:55 AM RETIRED USER: TENDONK/NDOR/408BPCX.X8 6. DR01



ADDRESS\_BUS  
ADDRESS(0:9)



\*\*\* ADDRESS DECODE \*\*\*

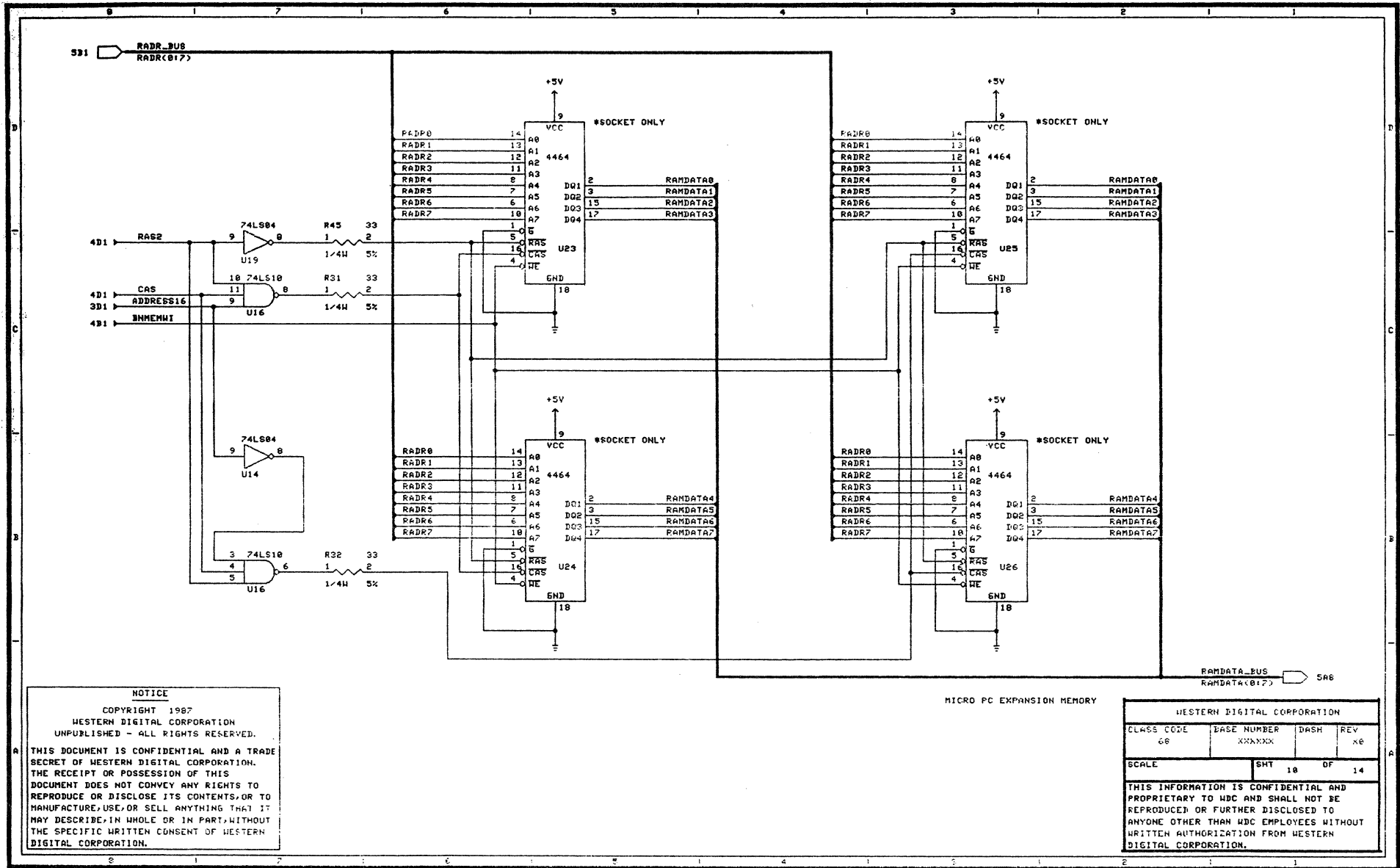
NOTICE

COPYRIGHT 1967  
WESTERN DIGITAL CORPORATION  
UNPUBLISHED - ALL RIGHTS RESERVED.

THIS DOCUMENT IS CONFIDENTIAL AND A TRADE SECRET OF WESTERN DIGITAL CORPORATION. THE RECEIPT OR POSSESSION OF THIS DOCUMENT DOES NOT CONVEY ANY RIGHTS TO REPRODUCE OR DISCLOSE ITS CONTENTS, OR TO MANUFACTURE, USE, OR SELL ANYTHING THAT IT MAY DESCRIBE, IN WHOLE OR IN PART, WITHOUT THE SPECIFIC WRITTEN CONSENT OF WESTERN DIGITAL CORPORATION.

WESTERN DIGITAL CORPORATION			
CLASS CODE	BASE NUMBER	DASH	REV
6P	XXXXXX		X0
SCALE	SHT 9 OF 14		
THIS INFORMATION IS CONFIDENTIAL AND PROPRIETARY TO WDC AND SHALL NOT BE REPRODUCED OR FURTHER DISCLOSED TO ANYONE OTHER THAN WDC EMPLOYEES WITHOUT WRITTEN AUTHORIZATION FROM WESTERN DIGITAL CORPORATION.			

5-1119-74LS04-USER-74LS04/WORK/0088PCN-30-9-DRAW



531 **RADR\_BUS**  
RADR(0:7)

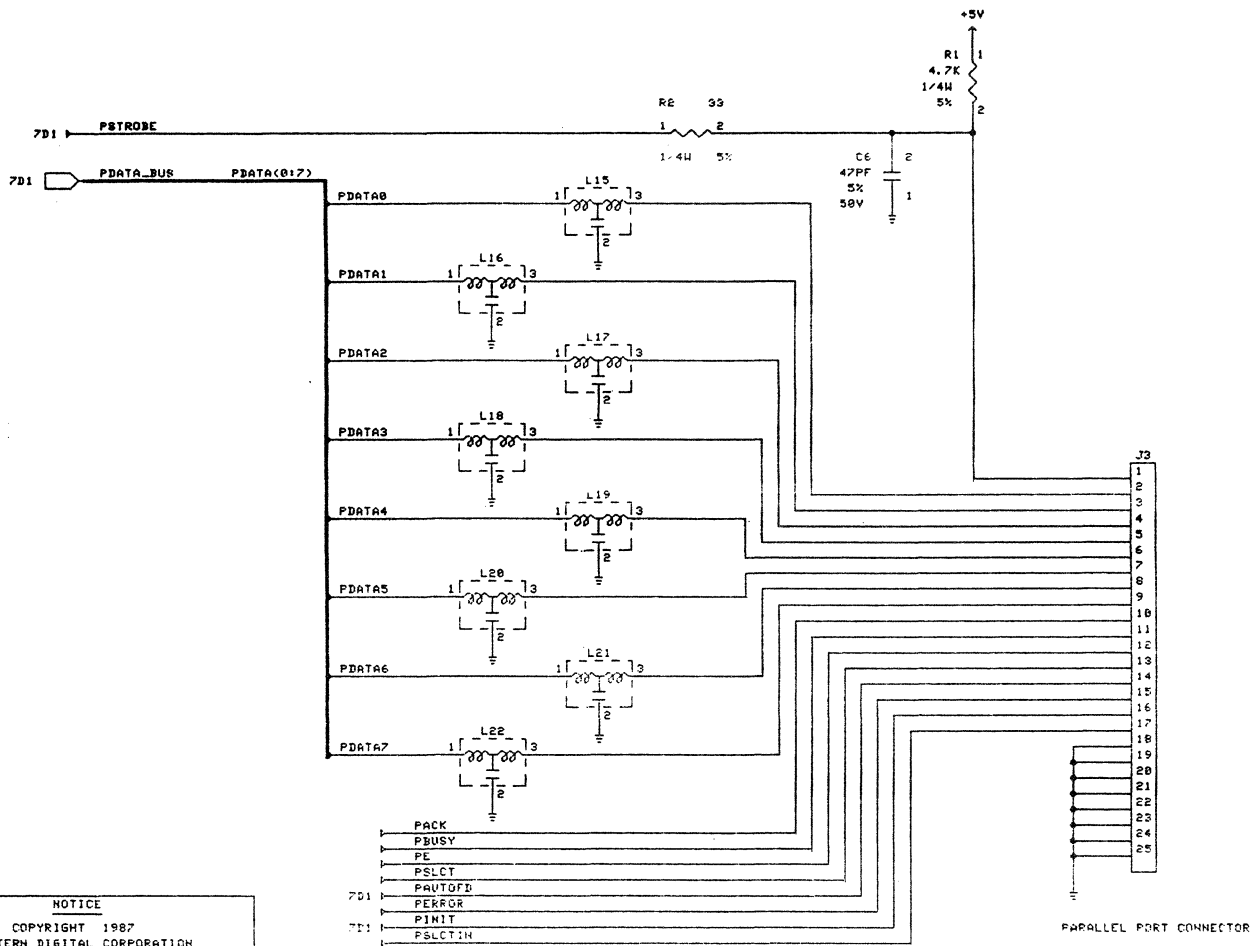
**RAMDATA\_BUS**  
RAMDATA(0:7) 546

MICRO PC EXPANSION MEMORY

**NOTICE**  
 COPYRIGHT 1987  
 WESTERN DIGITAL CORPORATION  
 UNPUBLISHED - ALL RIGHTS RESERVED.  
 THIS DOCUMENT IS CONFIDENTIAL AND A TRADE SECRET OF WESTERN DIGITAL CORPORATION. THE RECEIPT OR POSSESSION OF THIS DOCUMENT DOES NOT CONVEY ANY RIGHTS TO REPRODUCE OR DISCLOSE ITS CONTENTS, OR TO MANUFACTURE, USE, OR SELL ANYTHING THAT IT MAY DESCRIBE, IN WHOLE OR IN PART, WITHOUT THE SPECIFIC WRITTEN CONSENT OF WESTERN DIGITAL CORPORATION.

WESTERN DIGITAL CORPORATION			
CLASS CODE 66	BASE NUMBER XXXXXX	DASH	REV X0
SCALE	SHT 10	OF 14	
THIS INFORMATION IS CONFIDENTIAL AND PROPRIETARY TO WDC AND SHALL NOT BE REPRODUCED OR FURTHER DISCLOSED TO ANYONE OTHER THAN WDC EMPLOYEES WITHOUT WRITTEN AUTHORIZATION FROM WESTERN DIGITAL CORPORATION.			

53 APR 88 10:54 ZNE/PHS USER/21002/00K-D088P001.X0 10. DASH



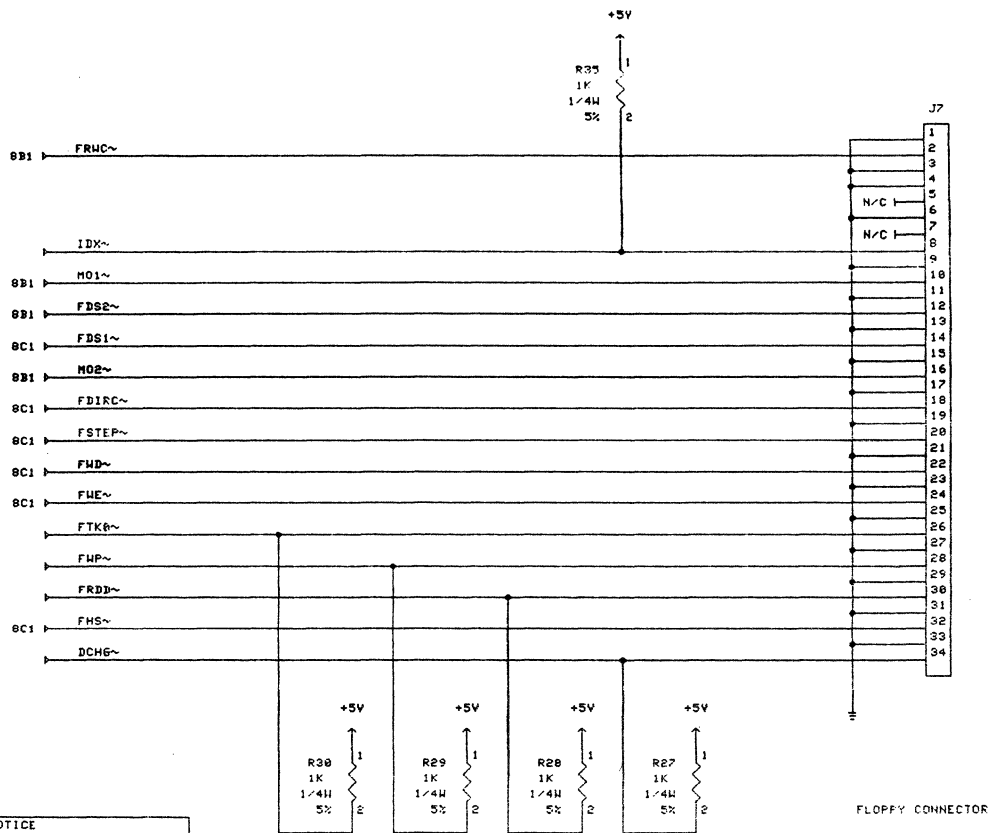
NOTICE

COPYRIGHT 1987  
 WESTERN DIGITAL CORPORATION  
 UNPUBLISHED - ALL RIGHTS RESERVED.

THIS DOCUMENT IS CONFIDENTIAL AND A TRADE  
 SECRET OF WESTERN DIGITAL CORPORATION.  
 THE RECEIPT OR POSSESSION OF THIS  
 DOCUMENT DOES NOT CONVEY ANY RIGHTS TO  
 REPRODUCE OR DISCLOSE ITS CONTENTS, OR TO  
 MANUFACTURE, USE, OR SELL ANYTHING THAT IT  
 MAY DESCRIBE, IN WHOLE OR IN PART, WITHOUT  
 THE SPECIFIC WRITTEN CONSENT OF WESTERN  
 DIGITAL CORPORATION.

WESTERN DIGITAL CORPORATION			
CLASS CODE	BASE NUMBER	DASH	REV
06	XXXXXX		X8
SCALE	SHT	DF	14
THIS INFORMATION IS CONFIDENTIAL AND PROPRIETARY TO WDC AND SHALL NOT BE REPRODUCED OR FURTHER DISCLOSED TO ANYONE OTHER THAN WDC EMPLOYEES WITHOUT WRITTEN AUTHORIZATION FROM WESTERN DIGITAL CORPORATION.			

5-IMP-88-10155-7HE17-IMP-USER/1EN004700K/2008PCH-X8 11.DRM



FLOPPY CONNECTOR

NOTICE

COPYRIGHT 1987  
WESTERN DIGITAL CORPORATION  
UNPUBLISHED - ALL RIGHTS RESERVED.

THIS DOCUMENT IS CONFIDENTIAL AND A TRADE SECRET OF WESTERN DIGITAL CORPORATION. THE RECEIPT OR POSSESSION OF THIS DOCUMENT DOES NOT CONVEY ANY RIGHTS TO REPRODUCE OR DISCLOSE ITS CONTENTS, OR TO MANUFACTURE, USE, OR SELL ANYTHING THAT IT MAY DESCRIBE, IN WHOLE OR IN PART, WITHOUT THE SPECIFIC WRITTEN CONSENT OF WESTERN DIGITAL CORPORATION.

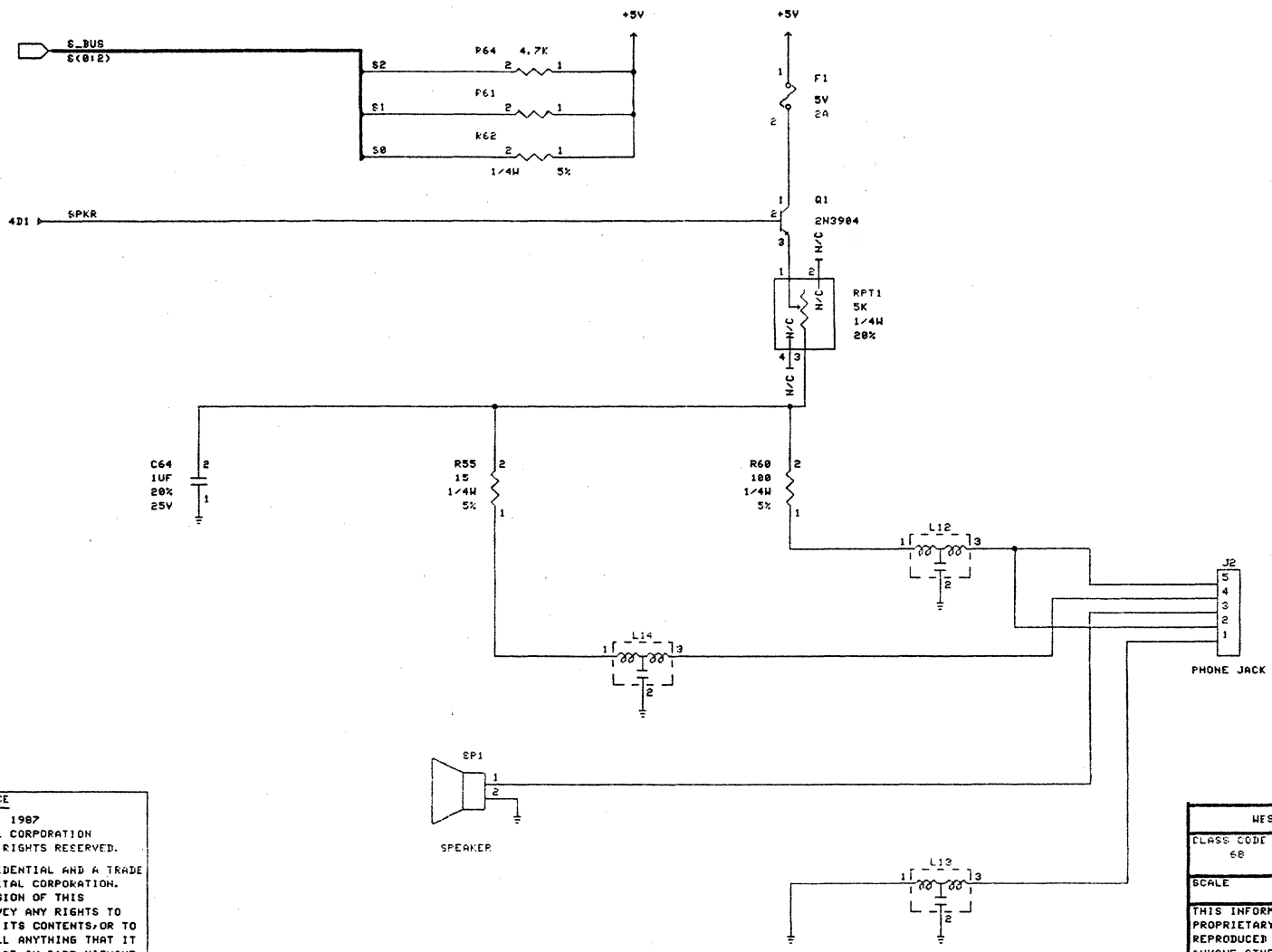
WESTERN DIGITAL CORPORATION

CLASS CODE	BASE NUMBER	DASH	REV
68	XXXXXX		X0

SCALE	SHT	DF	14
	12		

THIS INFORMATION IS CONFIDENTIAL AND PROPRIETARY TO WDC AND SHALL NOT BE REPRODUCED OR FURTHER DISCLOSED TO ANYONE OTHER THAN WDC EMPLOYEES WITHOUT WRITTEN AUTHORIZATION FROM WESTERN DIGITAL CORPORATION.

85 07P 08 10756 0107100-USEP/VELOC/200PK/200BPC/00 X0 12 0000



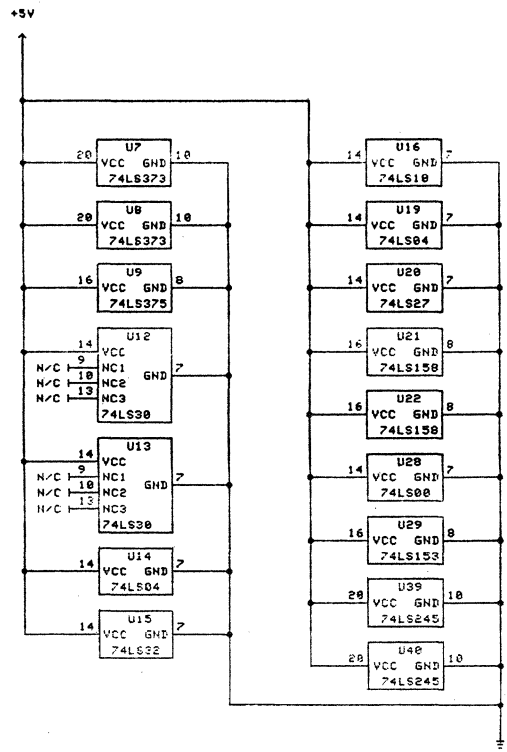
**NOTICE**

COPYRIGHT 1987  
 WESTERN DIGITAL CORPORATION  
 UNPUBLISHED - ALL RIGHTS RESERVED.

THIS DOCUMENT IS CONFIDENTIAL AND A TRADE SECRET OF WESTERN DIGITAL CORPORATION. THE RECEIPT OR POSSESSION OF THIS DOCUMENT DOES NOT CONVEY ANY RIGHTS TO REPRODUCE OR DISCLOSE ITS CONTENTS, OR TO MANUFACTURE, USE, OR SELL ANYTHING THAT IT MAY DESCRIBE, IN WHOLE OR IN PART, WITHOUT THE SPECIFIC WRITTEN CONSENT OF WESTERN DIGITAL CORPORATION.

WESTERN DIGITAL CORPORATION			
CLASS CODE 68	BASE NUMBER XXXXXX	DASH	REV X0
SCALE	SHT 13	OF 14	
THIS INFORMATION IS CONFIDENTIAL AND PROPRIETARY TO WDC AND SHALL NOT BE REPRODUCED OR FURTHER DISCLOSED TO ANYONE OTHER THAN WDC EMPLOYEES WITHOUT WRITTEN AUTHORIZATION FROM WESTERN DIGITAL CORPORATION.			

85 APR 88 10:57 AM ET USER:VENDOR/HDK/4888/P01.X0 13.03AN



NOTICE

COPYRIGHT 1987  
 WESTERN DIGITAL CORPORATION  
 UNPUBLISHED - ALL RIGHTS RESERVED.

THIS DOCUMENT IS CONFIDENTIAL AND A TRADE SECRET OF WESTERN DIGITAL CORPORATION. THE RECEIPT OR POSSESSION OF THIS DOCUMENT DOES NOT CONVEY ANY RIGHTS TO REPRODUCE OR DISCLOSE ITS CONTENTS OR TO MANUFACTURE, USE, OR SELL ANYTHING THAT IT MAY DESCRIBE, IN WHOLE OR IN PART, WITHOUT THE SPECIFIC WRITTEN CONSENT OF WESTERN DIGITAL CORPORATION.

WESTERN DIGITAL CORPORATION			
CLASS CODE	BASIC NUMBER	DASH	REV
ES			NE
SCALE	SMT	14	OF 14
THIS INFORMATION IS CONFIDENTIAL AND PROPRIETARY TO WDC AND SHALL NOT BE REPRODUCED OR FURTHER DISCLOSED TO ANYONE OTHER THAN WDC EMPLOYEES WITHOUT WRITTEN AUTHORIZATION FROM WESTERN DIGITAL CORPORATION.			

95-498-88 101358 THE MICRO USER CENTER WORKBOOK 0088PCH-XB 14-1988