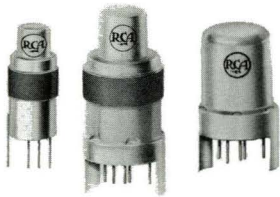
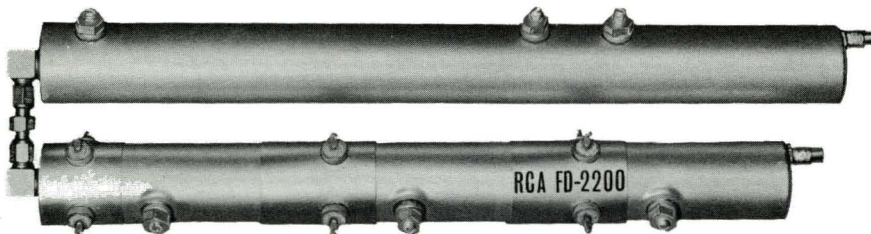


RCA muvistors

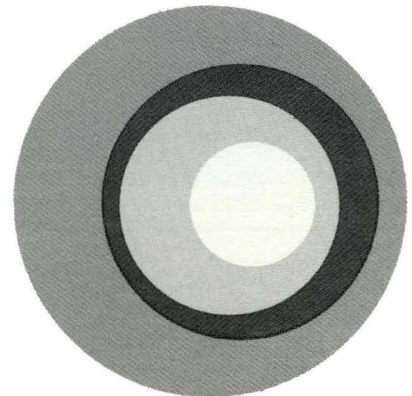
Reference Guide to
Commercial and Developmental Types



Single-and Double-Ended Types



Integral-Cavity Amplifiers



RADIO CORPORATION OF AMERICA
ELECTRONIC COMPONENTS AND DEVICES
HARRISON, N. J.

Trademark(s) ® Registered
Marca(s) Registrada(s)

RCA NUVISTOR TUBES

RCA INTEGRAL-CAVITY TRF AMPLIFIERS^a

ITEM	INDUSTRIAL AND MILITARY ^a											ENTERTAINMENT						UNIT	ITEM	Commercial Type	Developmental Types ^b			UNIT			
	Commercial & Military-Specification Types							Developmental Types ^b				Commercial Types															
	RCA TYPE	7586	7587	7895	8056	8058	8203	8393	8627	8628	A15274B	A15526 ^d	A15533	2CW4 ^e	6CW4	13CW4	2DS4 ^e				6DS4	2DV4 ^e	6DV4		RCA TYPE	FD-2200	A15474D
Former RCA Dev. Type	(A15202)	(A2654F)	(A15246)	(A15247A)	(A15211)	(A15250)	(A15342)	(A15294B)	(A15460)	-	-	-	(A15217)	(A15147N)	(A15364)	(A15272)	(A15251D)	(A15316)	(A15300)	-	(A15477E)	-	-	-	-		
Description	Medium-Mu Triode	Sharp-Cutoff Tetrode	High-Mu Triode	Medium-Mu Triode	High-Mu Triode	Power Triode	(A15342) Medium-Mu Triode	Power Triode	High-Mu Triode	Medium-Mu Extended-Cutoff Triode	Power Triode	High-Mu Triode	High-Mu Triodes			High-Mu Extended-Cutoff Triodes	Medium-Mu Triodes			Former RCA Dev. Type	1030-Mc, 3-Stage Amplifier & 3-Section Filter (Preselector)	1030-Mc, 1-Stage Amplifier	1090-Mc, 3-Stage Amplifier & 3-Section Filter (Preselector)	1030-Mc, 2-Stage Amplifier			
Intended Application	General Purpose	General Purpose	General Purpose	Low B+, Low-Noise RF or IF Amplifier; Multivibrator; or Cathode Follower	Grounded-Grid UHF Amplifier, or Oscillator	Low-Level Class-C RF Power Amplifier, Oscillator, or Frequency Multiplier; DC Pulse Amplifier	Except for heater characteristics, identical to Type 7586	Grounded-Grid, Low-Level Class-C RF Power Amplifier, Oscillator, or Frequency Multiplier;	For LF Applications Requiring High Input Impedance & Low Grid Currents	RF Amplifier	Grounded-Grid Pulsed or CW Low-Level Class-C RF Power Amplifier, Oscillator, or Frequency Multiplier	For LF Applications Requiring High Input Impedance & Low Grid Currents	In VHF TV or FM Receivers	In Antenna Boosters	RF Amplifier in VHF TV or FM Receivers	Local Oscillator in UHF TV Receivers				Aircraft Transponder Equipment & Other Fixed-Cavity Applications	Meets Specification for Class-2 Electronic Equipment as Covered in Military Specification MIL-E-5400G						
Military-Spec. Type	JAN-7586	JAN-7587	JAN-7895	JAN-8056	JAN-8058	-	-	-	-	-	-	-	-	-	-	-	-	-	-	-							
Military Specification ^c	MIL-E-1/1397B	MIL-E-1/1434B	MIL-E-1/1433B	MIL-E-1/1490A	MIL-E-1/1491A	-	-	-	-	-	-	-	-	-	-	-	-	-	-	-							
Electrical Characteristics:																											
E _f	6.3	6.3	6.3	6.3	6.3	6.3	13.5	6.3	6.3	6.3	6.3	6.3	2.1	6.3	13.5	2.1	6.3	2.1	6.3		6.3	6.3	6.3	6.3	6.3	volts	
I _f	135	150	135	135	135	160	60	150	100	68	340	68	450	135	60	450	135	450	135		405	135	405	270	270	ma	
P _f	0.85	0.95	0.85	0.85	0.85	1	0.81	0.95	0.63	0.42	2.14	0.43	0.95	0.85	0.81	0.95	0.85	0.95	0.85		2.55	0.85	2.55	1.70	1.70	watts	
E _{bb}	26.5	75	125 (E _{cc2} , 50)	110	24	75	150	110	120	60	200	60	70	110	110	70	110	75	110		-100	-100	-100	-100	-100	volts	
R _k	-	100	68	150	100	47	560	47	200	100	68	100	-	130	-	-	130	100	-		3.9	22	3.9	47	47	ohms	
R _g	0.5	-	-	-	-	-	-	-	1	-	-	-	0.047	-	-	0.047	-	-	-		22	-	22	47	47	ohms	
μ	31	35	-	64	11.5	70	30	70	127	35	100	125	68	65	63	35	63	35	-		3.9	47	47	47	47	megohms	
r _p	4400	3000	0.2 Meg	6800	1530	5600	2700	5600	41000	3200	6400	2100	5440	6600	5440	7000	3100	-	-		1500	4700	1500	1500	1500	ohms	
g _m	7000	11500	10600	9400	7500	12400	13000	6000	12400	10800	18000	6000	12500	9800	12500	9000	11500	-	-		34	12	34	21	21	μmhos	
I _b	2.8	10.5	10	7	8.7	10	11.5	7	1.5	8	15	1.7	7.2	7	7	6.5	10.5	-	-		-5	-5	-5	-5	-5	ma	
I _{c2}	-	-	2.7	-	-	-	-	-	-	-	-	-	-	-	-	-	-	-	-		-	-	-	-	-	ma	
E _{c1} (co) @ I _b = 10 μa	-	-7	-4.5	-4	-5 @ 50 μa	-5	-6.5	-15	-5	-6	-5 @ 100 μa	-1	-	-4	-	-6.8	-7	-	-		-	-	-	-	-	volts	
Maximum Ratings:																											
E _{bb}	330	330 (E _{cc2} , 330)	330	-	330	400	400	500	500	330	330	330	300	300	300	300	300	300	300		-150	-150	-150	-150	-150	volts	
E _b	110	250 (E _{c2} , 110)	110	50	150	250	300	250	300	250	110	110	300	1000	135	135	125	125	125		-110	-110	-110	-110	-110	volts	
E _{c1}	-55	-55	-55	-55	-55	+0	+0	+0	+0	-100	-100	-55	-100	-100	-55	-55	-55	-55	-55		+0	+0	+0	+0	+0	volts	
e _{c1m}	4	2	2	2	+0	5	5	4	5	+0	+0	+0	10	30	+0	+0	2	2	2		+150	+150	+150	+150	+150	volts	
e _{hkm}	±100	±100	±100	±100	±100	±100	±100	±100	±100	±100	±100	±100	±100	±100	±100	±100	±100	±100	±100		±6.6 max	±6.6 max	±6.6 max	±6.6 max	±6.6 max	volts	
I _{c1} (av)	2	2	2	2	0	5	6	5	6	0	0	0	0	0	0	0	5	5	5		6.0 min	6.0 min	6.0 min	6.0 min	6.0 min	ma	
I _k (av)	15	20	15	15	15	25	30	25	30	2	15	10	15	15	15	15	15	15	15		20	20	20	20	20	ma	
P _{g2}	-	0.2	-	-	-	-	-	-	-	-	-	-	75	75	-	-	-	-	-		20	20	20	20	20	ma	
P _b	1	2.2	1	0.45	1.5	1.5	1.8	2.5	2.7	0.3	0.75	0.75	1.5P	1.5P	1.5P	1.5P	1	1	1		0.1	0.5	0.1	0.5	0.5	megohm	
R _{g1} (circuit) ^f	0.5/1	0.5/1	0.5/1	10/10	0.5/1	0.05	0.05	0.05	0.05	50/100	0.5/1	0.5/1	0.5/2.2	0.5/2.2	0.5/2.2	0.5/2.2	0.1/0.2	-	-		115	115	115	115	115	°C	
Altitude	100,000	100,000	100,000	100,000	100,000	100,000	100,000	100,000	100,000	100,000	100,000	100,000	100,000	100,000	100,000	100,000	100,000	100,000	100,000		Any	Any	Any	Any	Any	°C	
f (useful):																											
As amplifier	400	250	400	300	1200	250	1200	1200	200 kc	1200	1200	-	-	-	-	-	-	-	-		45.5	15	45.5	28	28	db	
As oscillator	1000	850	1000	800	1200	800	1200	1200	200 kc	1200	1200	-	-	-	-	-	-	-	-		11.5	10.5	12	10.5	10.5	db	
Typical Operation:																											
Amplifier	NF @ 200 Mc	Req @ 30 Mc	NF @ 200 Mc	NF @ 200 Mc	NF @ 1000 Mc	P _o (useful) @ 160 Mc	P _o (useful) @ 1000 Mc	NF @ 1000 Mc	P _o (useful) @ 1000 Mc	NF @ 1000 Mc	P _o (useful) @ 1000 Mc	NF @ 1000 Mc	P _o (useful) @ 1000 Mc	NF @ 1000 Mc	P _o (useful) @ 1000 Mc	NF @ 1000 Mc	P _o (useful) @ 1000 Mc	NF @ 1000 Mc	P _o (useful) @ 1000 Mc		45.5	15	45.5	28	28	db	
Oscillator	4.3 db	1500 ohms	4.3 db	4 db	11 db	1.55 w	1.4 w	1.25 w	0.8 w	1.25 w	0.5 w	1.4 w	1.25 w	0.8 w	1.25 w	0.5 w	1.4 w	1.25 w	0.8 w		11.5	10.5	12	10.5	10.5	db	
Doubler	-	-	-	-	-	0.85 w	0.8 w	0.85 w	0.8 w	0.85 w	0.5 w	0.8 w	0.85 w	0.5 w	0.8 w	0.85 w	0.5 w	0.8 w	0.85 w		22.3	-	23	-	-	Mc	
Mechanical:																											
l _m (overall)	0.800	1.050	0.800	0.800	0.985	0.800	0.985	0.775	0.800	0.775	0.985	0.775	0.800	0.800	0.800	0.800	0.800	0.800	0.800		70	-	70	-	-	db	
(seated)	0.625	0.840	0.625	0.625	0.780	0.625	0.780	0.575	0.625	0.575	0.780	0.575	0.625	0.625	0.625	0.625	0.625	0.625	0.625		77	-	70	-	-	db	
d _m	0.440	0.440	0.440	0.440	0.440	0.440	0.440	0.275	0.440	0.275	0.440	0.275	0.440	0.440	0.440	0.440	0.440	0.440	0.440		6.2	2	6.2	<4	<4	watts	
Base	5-Pin	5-Pin	5-Pin	5-Pin	5-Pin	5-Pin	5-Pin	4-Pin In-Line	6-Pin	4-Pin In-Line	6-Pin	4-Pin In-Line	5-Pin	5-Pin	5-Pin	5-Pin	7-Pin	-	-		6.2	2	6.2	<4	<4	watts	
Top-Cap Diameter	-	0.250	-	-	0.250	-	-	0.165	0.312	0.165	-	-	-	-	-	-	-	-	-		6.2	2	6.2	<4	<4	watts	
Other Developmental Versions: ^b																											
Long-Lead Types ^g	A15212	A2702	A15321	A15319	A15320	A15317	A15343	A15318	A15478	A15388	-	-	-	-	-	-	-	-	-		7.80	8.75	2.68	7.20	8.26	5.23	inch
13.5-V-Heater Types ^h	See 8393 above	A2708	A15348	A15305	A15353	A15346	-	A15355	A15493	-	-	-	-	-	-	-	-	-	-		0.892	0.873	0.892	0.892	0.873	0.892	inch
Weight (total, approx.)																											
	7	1.6	7	3	3	3	3	3	3	3	3	3	3	3	3	3	3	3	3		7	1.6	7	3	3	oz	

^a Subjected to special controls on critical characteristics, environmental tests (shock, fatigue, vibration, altitude), and special life tests.

^b The number identifies a particular laboratory tube design but the number and identifying data are subject to change. No obligations are assumed as to future manufacture unless otherwise arranged.

^c Copies are available from: Specifications Division, Naval Supply Depot, 5801 Tabor Ave., Philadelphia, Pa. 19120.

^d Developed under Buships, U.S. Navy contract.

^e Bogey heater warm-up time = 8 sec. for series-heater-string applications.

^f For fixed-bias/cathode-bias operation; single values are for either. For industrial and military types, at T_{shell} = 150° C; max. T_{shell} with R_{g1} derating = 250° C. For entertainment types, at T_{shell} = 135° C.

^g Intended for applications where it is desired to avoid use of a tube socket (such as printed-circuit-board applications; short-life, no-replacement applications; and applications at frequencies where reactances caused by use of a socket would result in substantially lowered tube performance). These types differ primarily from their respective prototypes in that they do not have either indexing lugs or base skirt, and in place of base pins have leads of length 0.750 inch min. RCA will entertain requests for other versions of specific prototypes having any number of long leads up to a maximum of 3 per electrode.

^h Intended for hybrid-equipment applications. RCA will entertain requests for other versions of specific prototypes having a bogey E_f ≤ 13.5 V with a corresponding bogey I_f such that cathode temperature is held constant.

^k For DF ≤ 0.01; for DF > 0.01 and ≤ 0.5, i_{km} derating is required.

^m For metal-shell-to-ceramic-insulator seal temperatures up to 100° C. Higher temperatures permissible with P_{g1} derating.

ⁿ For top-cap-to-ceramic-insulator seal temperatures up to 150° C. Higher temperatures permissible with P_b derating.

^p With series plate-circuit resistance = 5000 ohms min.

^q A mechanically-modified Type 8058 nuvistor tube is utilized in each amplifier stage. The plate and one end of the heater of each tube are connected to a common dc-ground terminal (tab) on the metal shell of the amplifier; the cathode and other end of the heater are brought out to separate terminals through 470-pF feed-thru capacitors; the grid has a separate terminal and is bypassed with a 1000-pF capacitor. Each amplifier or amplifier-filter combination has an input impedance of 50 ohms, and is designed for use with a load having an impedance of 50 ohms. RF terminals on each filter or amplifier are designed to mate with screw-on connectors Sealco Corp. (225 Hoyt St., Mamaroneck, N.Y. 50944) Part No. 50 007 0000, or equivalent. For rigid filter-to-amplifier interconnection, Sealco 50 073 000, 50 073 0029, or equivalent, may be used; for flexible interconnection, RG 188/U coaxial cable is recommended. RCA will entertain requests for other TRF Amplifiers having a center frequency within the range of 470 Mc to 1200 Mc.

^r At T_A = 25°C and under same conditions as shown for Electrical Charts.

^s Amplification (voltage gain) at center frequency f_o.

^t Change in f_o; measured as average of Δf_L and Δf_U at -6 db level.

^u Change in A_o from its value at T_A = 25°C.

^v Exclusive of terminals.

NUVISTOR-TUBE RELIABILITY

Production Tests (At Max.-Rated P_b)

Based on over 1,662,000 tube-hours of regular-production life tests, nuvistor type 7586 has had an observed Failure Rate of 0.54% per 1000 hours during the first 5000 hours of operation at maximum-rated plate-dissipation conditions ($E_f = 6.3$ volts, $E_b = 100$ volts, $E_c = -1.85$ volts, $R_g = 0.5$ megohm, $E_{hk} = 100$ volts, $P_b = 1$ watt and $T_E = 150^\circ\text{C min.}$)

Engineering-Evaluation Tests (At Reduced P_b)

Based on over 1,541,000 tube-hours of engineering-evaluation life tests, nuvistor type 7586 has had an observed Failure Rate of 0.065% per 1000 hours out to 20,000 hours of operation at reduced plate-dissipation (normal-operation) conditions ($E_f = 6.3$ volts, $E_{bb} = 75$ volts, $R_k = 100$ ohms, $R_g = 0.5$ megohm, $P_b = 0.75$ watt, and $T_E = 150^\circ\text{C min.}$)

UNIFORMITY OF NUVISTOR-TUBE CHARACTERISTICS

The critical characteristics of RCA nuvistor tubes have an extremely high degree of uniformity from tube to tube, both initially and throughout life when compared to conventional electron tubes. This exceptional uniformity results from the unique nuvistor-tube design, the special methods of assembly and processing, and a rigorous Quality-Assurance Program. Industrial and Military types are subjected, on a statistical-lot-sampling basis, to Initial Variables Controls to assure that the spread of critical characteristics is narrow and that the sample average is close to the established bogey value. In addition, Life-Test end-points assure that (1) the Transconductance Change with Operating Time for an individual sample tube and the Sample Average of these individual changes, are small and (2) the Useful Power Output for class C types is above an established minimum value.

NUVISTOR TUBES and NUCLEAR RADIATION

Pulse Nuclear Irradiation

Nuvistor tubes have been operated as af-amplifier tubes and monitored before, during, and after exposure to pulse nuclear radiation having a Peak Fast-Neutron Flux of 10^{15} neutrons per square centimeter per second and a Peak Gamma Intensity of 10^7 roentgens per second.

The transient response of all tubes monitored followed the nuclear-radiation pulse and returned to normal, with no permanent damage to the tubes.

Steady-State Nuclear Irradiation

Type 7586 nuvistor tubes have been operated, for 3 hours, in a nuclear-radiation environment having a constant Fast-Neutron Flux of 10^{13} neutrons per square centimeter per second and a Gamma Intensity of 10^8 roentgens per second.

During the 3-hour exposure to nuclear radiation, the tubes continued to operate with no permanent damage.

ADDITIONAL TECHNICAL INFORMATION

Additional technical information on the RCA Nuvistor Tubes and Integral-Cavity TRF Amplifiers listed in this abbreviated Reference Guide is available, in the following forms, from your nearest RCA Field Office, or from Commercial Engineering, Electronic Components and Devices, RCA, Harrison, New Jersey 07029.

Technical Bulletins

For each commercial type.

Preliminary and Tentative Data Sheets

For each developmental type.

Brochure

ICE-280 RCA Nuvistor Tubes for Industrial and Military Applications.

Application Notes

AN-191 RCA-6CW4 and 2CW4 Nuvistor Triodes as RF Amplifiers in VHF Television Tuners.

AN-193 Use of RCA-7587 Industrial Nuvistor Tetrode in RF and IF Applications.

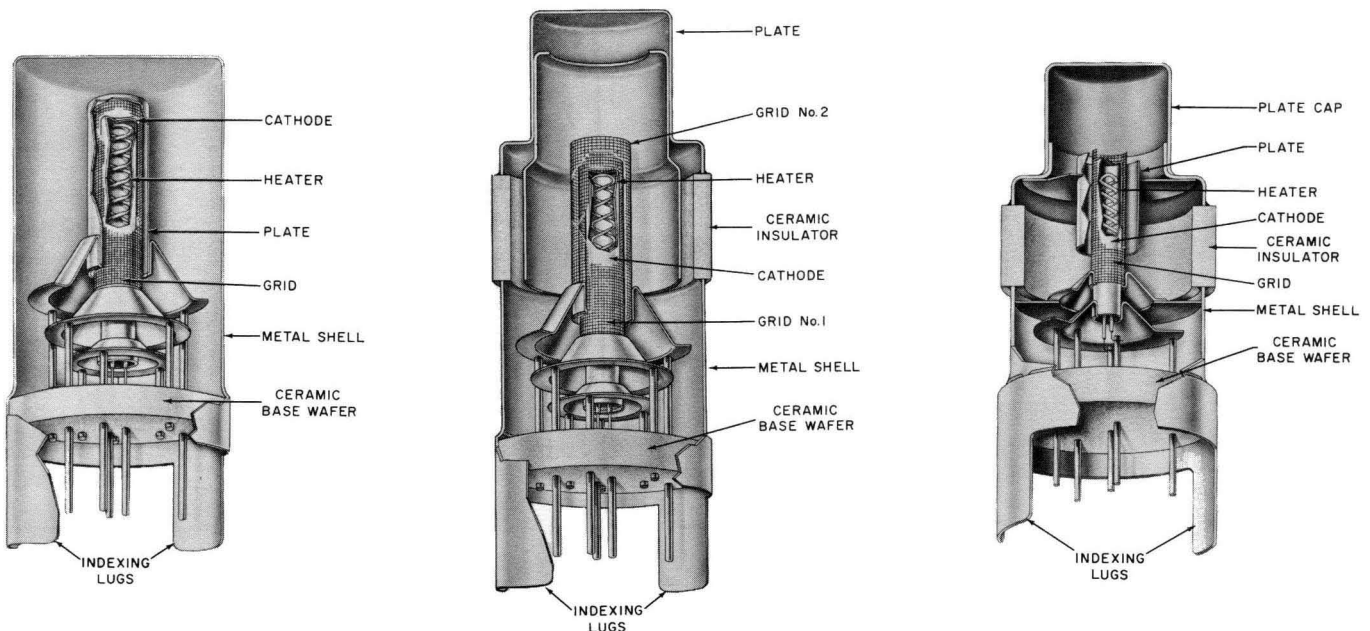
AN-195 Noise and Gain of the RCA-8056 Nuvistor Triode at 200 Mc.

AN-196 Temperature Ratings and Thermal Considerations for Nuvistor Tubes.

Preliminary and Tentative Application-Information Reports

ST-2296 Nuvistor Nuclear-Radiation Testing.

ST-2474 Nuvistor Environmental Performance.



Typical Single-Ended
Nuvistor Triode

Typical Double-Ended
Nuvistor Tetrode

Typical Double-Ended
Nuvistor Triode

NUVISTOR-TUBE SOCKET & CONNECTOR INFORMATION^a

NUVISTOR TYPE		SOCKET			
		Mounting	Body Material ^b	Cinch Mfg. Co. ^c No.	Cinch-Jones Sales-Division ^d Distributor No.
2CW4	7586	Crimp	MFP	133 65 10 001	5NS
2DS4	7587		DIALL [▲]	133 65 92 025	-
6CW4	7895		TEFLON	133 65 91 034	-
6DS4	8056	Flange	MFP	133 65 10 003	5NS-1
13CW4	8393	Printed-Board (Stand-Off)	MFP	133 65 10 009	5NS-2
8058 8203 8627		Crimp	MFP	133 65 10 041	5NS-3
2DV4 6DV4 A15526		Crimp	HALON [□]	133 67 90 040	5NS-4
8628		Crimp	DIALL	133 65 92 025	-
			TEFLON [●]	133 65 91 034	-
A15274B		Swaged	MFP	131 35 10 014	-
A15533		Spring	MFP	131 35 10 014 with Mounting Spring 441 00 23 094	-

NUVISTOR TYPE	TOP-CAP CONNECTOR	
7587 8058 8627	Cinch Mfg. Co. ^c No. 422 03 22 017 or 422 03 22 024, or equivalent "1/4-inch" connector.	
A15274B A15533	International Electronic Research Corp. ^e Part No. TXB2P-019-028G	
A15526	For Distributed-Constant Circuit	International Electronic Research Corp. ^e Thermo-Link Retainer Part No. TXBE-032-031G
	For Lumped-Constant Circuit	Wakefield Engineering, Inc. ^f Semiconductor Cooler Type NF207

^a Information on sockets or connectors having different materials or finishes may be obtained from the manufacturers listed. Sockets or connectors having comparable mechanical and electrical characteristics may be available from other manufacturers.

^b MFP = general-purpose, low-loss Mica-Filled Phenolic; DIALL = glass-filled Diallyl Phthalate for missile, satellite, and other high-vacuum applications; TEFLON and HALON are for low-rf and low-leakage loss, high-temperature applications.

[▲] TRADE MARK: Mesa Plastics Co., Los Angeles, Calif.

[□] TRADE MARK: Allied Chemical Corp., Morristown, N.J.

^c 1026 South Homan Ave., Chicago, Illinois 60624. Tel: (312) NE 2-2000.

^d This number appears in many distributors' catalogs.

^e 135 West Magnolia Blvd., Burbank, Calif. 91502. Tel: (213) 849-2481.

^f 139 Foundry St., Wakefield, Mass. 01880. Tel: (617) 245-5900

[●] TRADE MARK: E.I. DuPont de Nemours & Co., Inc., Wilmington, Del.

Information furnished by RCA is believed to be accurate and reliable. However, no responsibility is assumed by RCA for its use; nor for any infringements of patents or other rights of third parties which may result from its use. No license is granted by implication or otherwise under any patent or patent rights of RCA.

FIELD OFFICES

EQUIPMENT SALES

East	<i>Newark</i>	32 Green St., Newark, N.J. 07102	(201) 485-3900
	<i>Syracuse</i>	731 James St., Room 402, Syracuse, N.Y. 13203	(315) 474-5591
	<i>Needham</i>	64 "A" St., Needham Heights, Mass. 02194	(617) 444-7200
Mid-Atlantic	<i>Haddonfield</i>	605 Marlton Pike, Haddonfield, N.J. 08034	(609) 428-4802
	<i>Orlando</i>	200 East Marks St., Orlando, Fla. 32803	(305) 425-5563
Central	<i>Chicago</i>	446 East Howard Ave., Des Plaines, Ill. 60018	(312) 827-0033
	<i>Detroit</i>	714 New Center Bldg., Detroit, Mich. 48202	(313) 875-5600
	<i>Minneapolis</i>	5805 Excelsior Blvd., Minneapolis, Minn. 55416	(612) 929-0676
Mid-Central	<i>Indianapolis</i>	2511 East 46th St., Bldg. Q2, Atkinson Square, Indianapolis, Ind. 46205	(317) 546-4001
West	<i>Hollywood</i>	6363 Sunset Blvd., Hollywood, Calif. 90028	(213) 461-9171
	<i>Los Altos</i>	4546 El Camino Real, Suite P, Los Altos, Calif. 94022	(415) 948-8996
	<i>Seattle</i>	2250 First Ave. South, Seattle, Wash. 98104	(206) MAin 2-8816

GOVERNMENT SALES

<i>Harrison</i>	415 South Fifth St., Harrison, N.J. 07029	(201) 485-3900
<i>Dayton</i>	224 North Wilkinson St., Dayton, Ohio 45402	(513) 461-5420
<i>Washington</i>	1725 "K" St., N.W., Washington, D.C. 20006	(202) 337-8500